

KICKER®

19417166

Designed for 2019 - 2020
Chevrolet® Silverado/GMC®
Sierra 1500 as well as 2020
2500/3500 Crew Cab or
Double Cab trucks with HD
radio.

Subwoofer Assembly



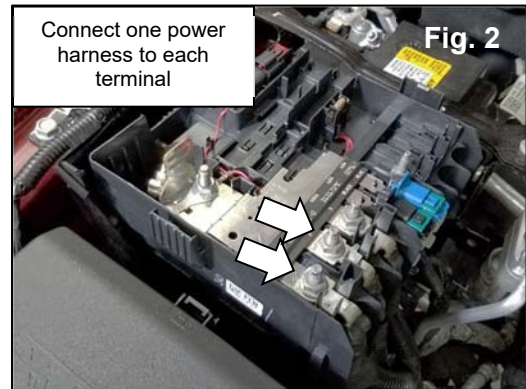
Subwoofer Harness

Amplifier Harness

Amplifier Assembly

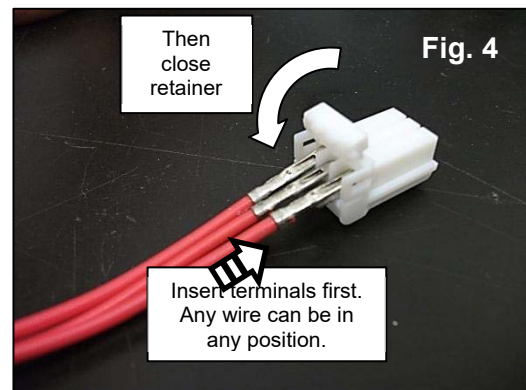
- Subwoofer Power Harness
- Amplifier Power Harness
- M6 Nuts x 3
- Wire Ties x 6
- Fuse x 2
- Adaptor Harness
- Self-Drilling Screws x 2

1. Disconnect negative battery cable.
2. Remove the cover of the battery junction box. Fig. 1
3. Make sure supplied fuse is not installed in fuse holder and connect the subwoofer and amplifier power wires to the studs pictured in figure 2. Either wire can go to either stud Torque to 4.7Nm (42in-lb)



4. Route the power wires toward the firewall and secure with supplied wire ties.
5. Find the rubber grommet behind the battery and cut the end of the accessory tube. Feed the power wires through the grommet tube into the cabin. Fig. 3
6. Install the white three pin power connectors on each power wire. Close the retainer. Fig. 4

NOTE: Do not mix terminals from power wires between connectors. Make sure all three wires from each power wire are each in a single connector.



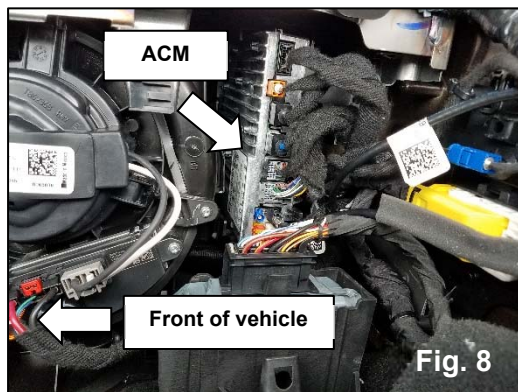
7. Connect one power wire to the subwoofer harness and one to the amplifier harness. Fig. 5



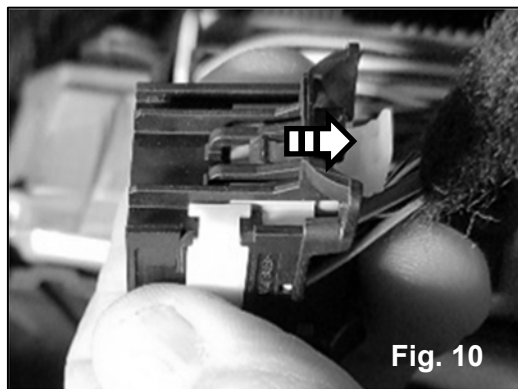
8. If equipped with power seats, adjust the passenger seat as high as possible. Remove the panel next to the seat. Fig. 6
9. Remove the front kick/sill trim panel as well as the rear sill panel. Fig. 7



10. Find the Audio Control Module (ACM) located above the right kickpanel area. Fig. 8 & 9

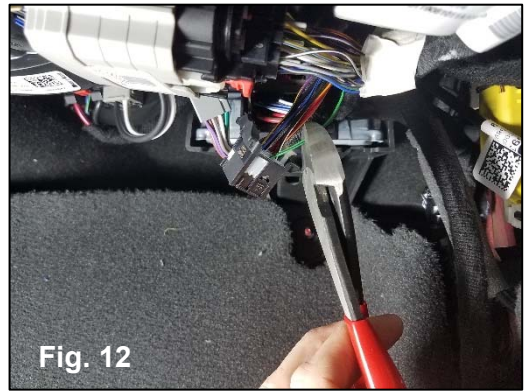


11. Disconnect the 28-pin gray connector and connect it to the amplifier harness. To disconnect, slide the white locking retainer out of the connector until it stops in order to press the connector release tab. (Generic connector shown already disconnected from ACM for clarity). Fig. 10 & 11

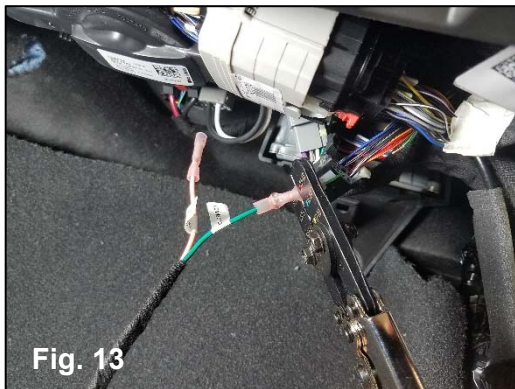


12. Connect the gray amplifier harness connector to the ACM.
13. Disconnect the 28-pin black connector from the ACM. Carefully cut away approximately 3 inches of the black cloth wrapping the harness. Find the green with black strip wire and cut. Strip back about ¼ inch of wire on each cut end.
Fig.12

See Splicing Technique section



14. Using the supplied butt connectors, connect the harness wire labeled, “connector” to the cut wire attached to the ACM connector. Connect the harness wire labeled, “harness” to the other cut wire. Fig. 13 & 14 .

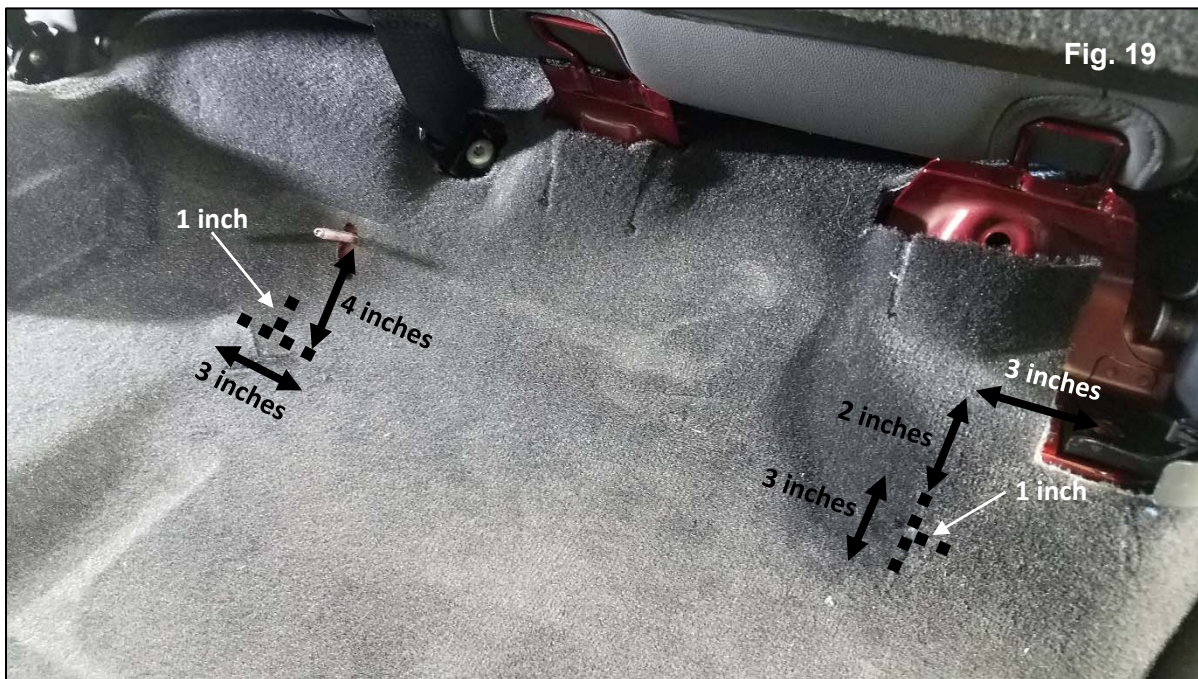


15. Connect the ground wires of both harness to the ground point located in the right front kick panel area. Fig. 15 Tighten to 7.5Nm (66in-lb)
16. Remove the four screws securing the front and rear wire protector and route the subwoofer harness alongside the factory harness securing with supplied wire ties. Replace wire protectors. Fig. 16
17. Remove the two 10mm nuts securing the jack bracket. Fig. 17
18. Remove the jack tool bag.



NOTE: If equipped with the optional carpeted storage tray as pictured in Fig. 17, remove at this time. The storage tray cannot be used in conjunction with the subwoofer. The subwoofer by design provides an optional storage area once it is installed.

19. Remove the outer rear seat bolt on the driver's side. Fig. 18
20. Make cuts in the carpet according to the measurement in Fig. 19. Only make cuts where dotted lines shown.



21. Remove the rear seatback. **See Second Row Seat Removal Section.**
22. Route subwoofer harness and the amplifier from passenger's side to driver's side under carpet. Subwoofer harness should be routed behind seat brackets. Routing from one precut opening to the next will aid in harness routing. Fig. 20



23. Route the black four pin subwoofer connector out of the hole that was cut near the stud where the jack tools attach. Route the white amplifier connector behind seat bolts and out of the hole that was cut near outer seat bolt. Fig. 21
24. Make wire harness connections to subwoofer and amplifier and set subwoofer in place aligning brackets with the stud and seat bolt hole. Fig. 22



25. Reinstall the jack tool bag and nut.

NOTE: MAKE SURE WIRE HARNESS IS NOT BEING CRUSHED UNDER JACK TOOL BAG!

26. Reinstall seat bolt. Torque to 109Nm (80ft/lb)
27. Mount the amplifier/bracket assembly over the studs on the back wall and secure with supplied nuts. Torque to 4Nm (35in/lb) Fig. 23

NOTE: In rare instances, the upper mounting studs may be missing. If the upper mounting studs are missing use the supplied self-drilling screws to secure the top of the amplifier bracket. Fig. 24

28. Secure amplifier harness to back wall and connect to the amplifier.
29. Connect the two-pin connector of the amplifier to the two-pin connector of the subwoofer harness. Fig. 23 (arrow)



30. Reinstall all previously removed parts in reverse order.

NOTE: MAKE SURE WIRE HARNESS IS NOT BEING CRUSHED WHEN REINSTALLING JACK BRACKET!

31. Install supplied fuses into fuse holders.

32. Reconnect negative battery cable. Tighten to 7.5Nm (66in-lb)

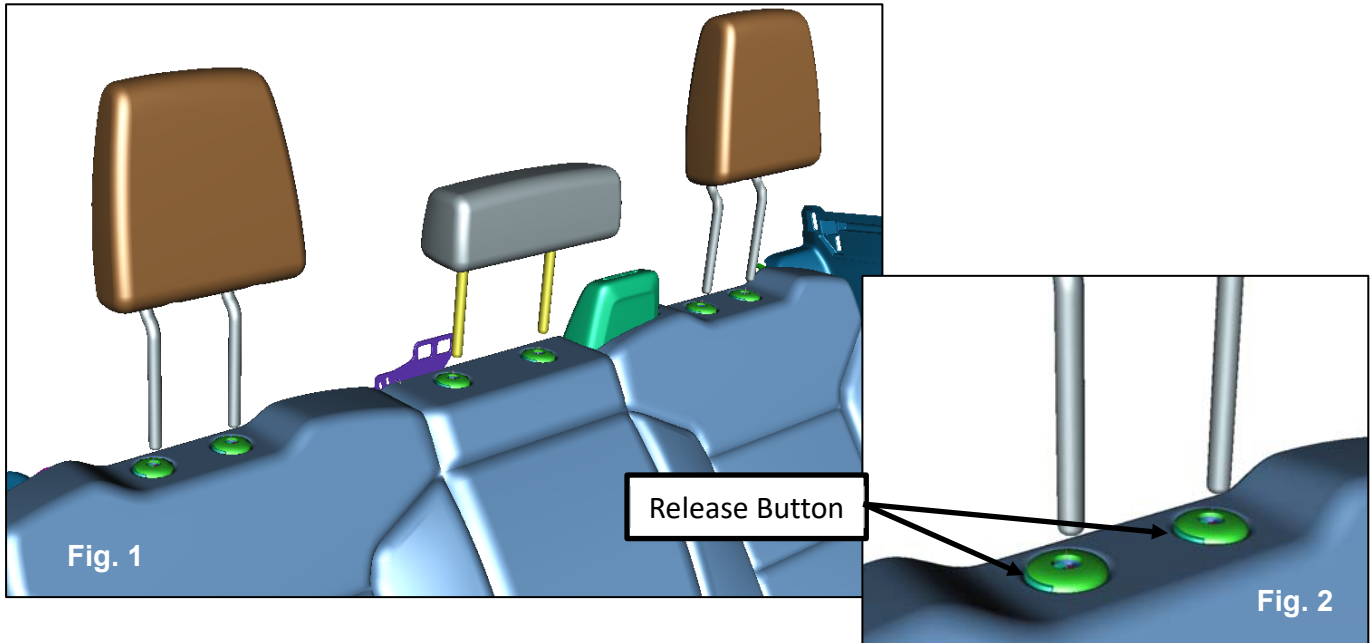
Splicing Technique

1. Use a sewing seam ripper, available from sewing supply stores, in order to cut open the harness in order to avoid wire insulation damage.
2. Cut as little wire off the harness as possible. You may need the extra length of wire in order to change the location of a splice.
3. Strip approximately 5.0 mm (0.20 in) of insulation from each wire to be spliced.
Do not nick or cut any of the strands. Inspect the stripped wire for nicks or cut strands.
If the wire is damaged, repeat this procedure after removing the damaged section.
4. Select the red DuraSeal splice sleeve Part #19168446 for 18-22 AWG wire
5. Place the DuraSeal splice sleeve in the crimp tool.
If using the EL-38125-10 splice sleeve crimping tool, use crimp nest number 2.
If using the J-38125-8 splice sleeve crimping tool, use crimp nest number 1
6. Close the hand crimper handles slightly in order to firmly hold the DuraSeal splice sleeve in the proper nest.
7. Insert the wire into the splice sleeve barrel until the wire hits the barrel stop.
8. Tightly close the handles of the crimp tool until the crimper handles open when released.
The crimper handles will not open until you apply the proper amount of pressure to the DuraSeal splice sleeve. Repeat steps 7 and 8 for the opposite end of the splice.
9. Using the heat torch, apply heat to the crimped area of the barrel.
Start in the middle and gradually move the heat barrel to the open ends of the tubing:
The tubing will shrink completely as the heat is moved along the insulation.
A small amount of sealant will come out of the end of the tubing when sufficient shrinkage is achieved.

Seatback Removal

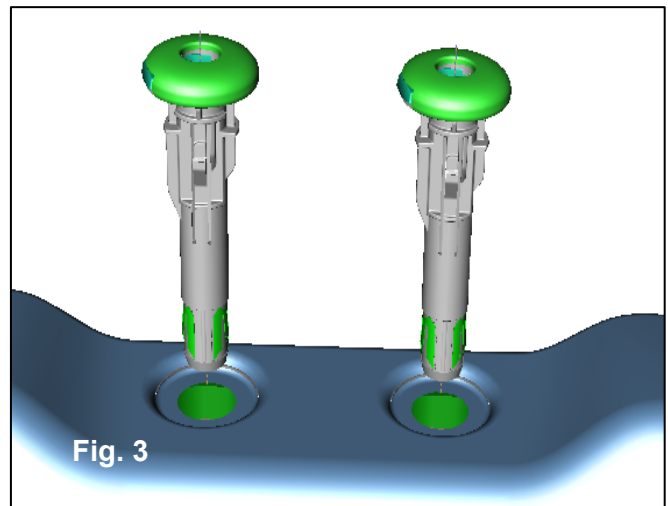
Removing O/B Head Restraints and CTR Head Rest.

1. Remove O/B head restraints by pushing in on two release buttons on head rest guide caps and lifting up on head restraint (qty 2) Fig. 1 & 2
2. Remove CTR head rest by pushing in on two release buttons on head rest guide caps and lifting up on head rest (qty 1) Fig. 1 & 2



Removing Seat Back from Vehicle

3. Remove 6 Head rest guides from seat back/BIW by inserting 90 degree awl into guide with front of awl point facing forward, locate groove in guide plastic (located on passenger or driver side of centerline of guide and rotate awl 90 degrees then lift up on the awl to pull guide free of seatback and BIW. Fig. 3 and Fig. 4



Insert awl into groove in head rest guide, then rotate 90 degrees and pull up on tool to pull guide from BIW

Fig. 4



4. Fold 60/40 cushions to upright position Fig. 5

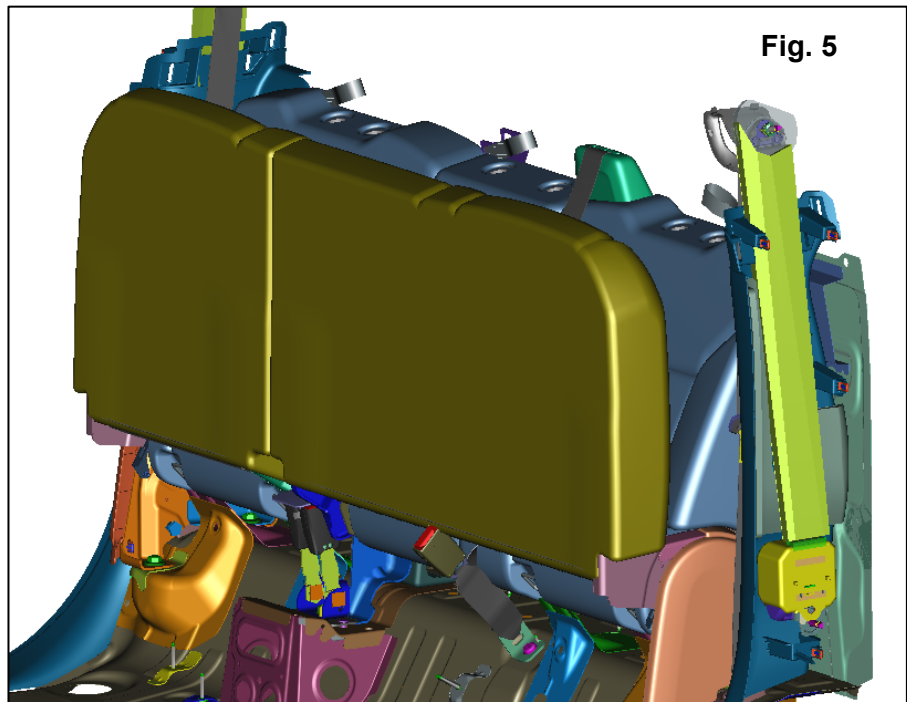
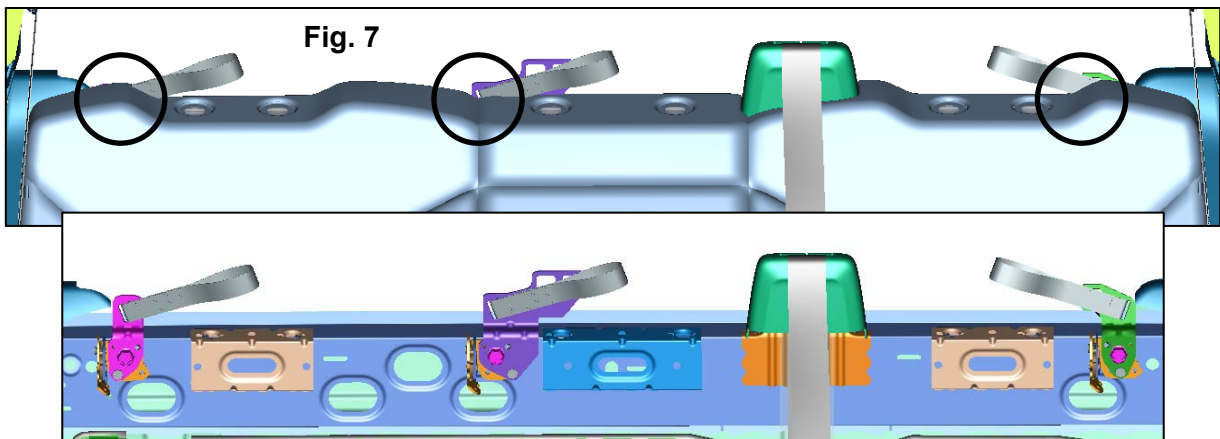


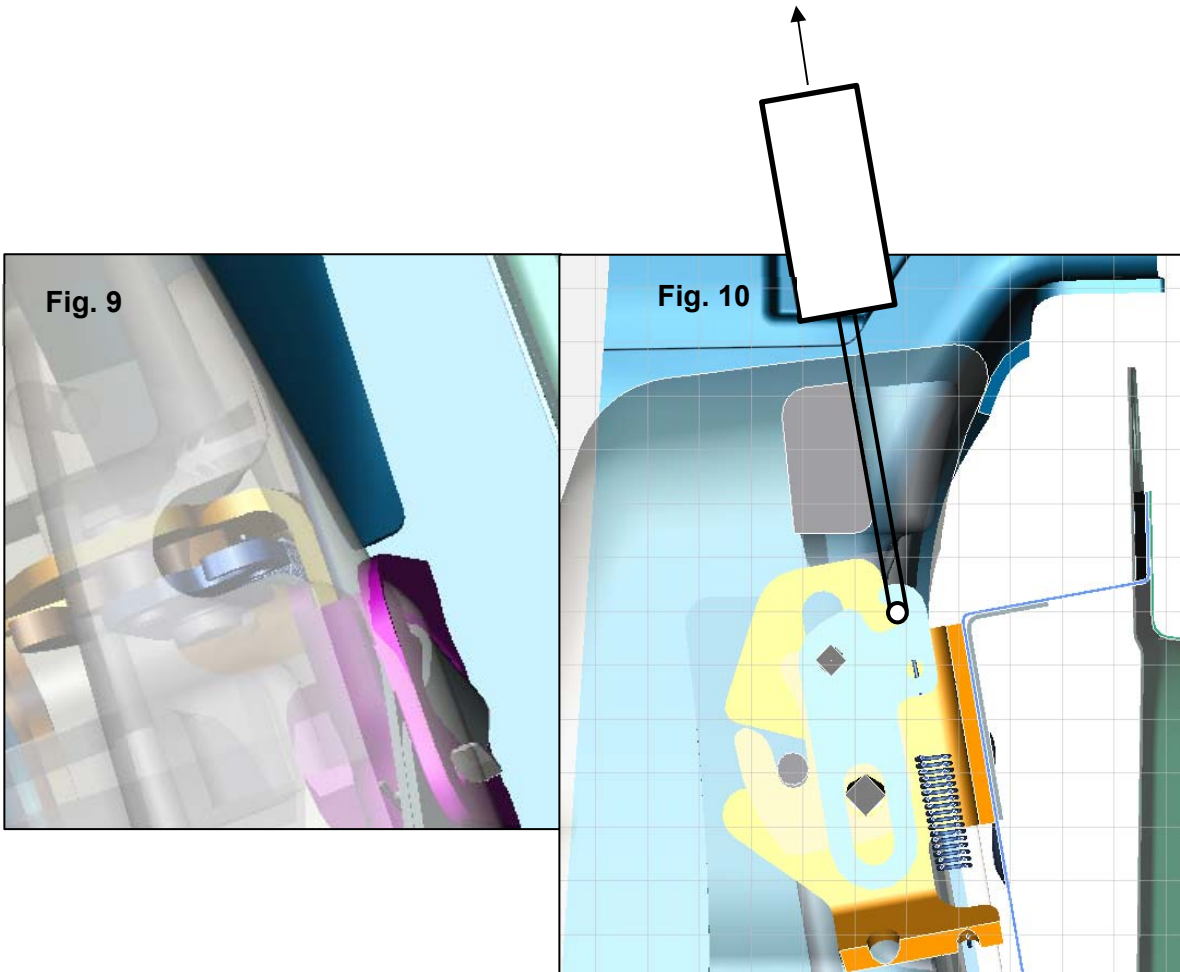
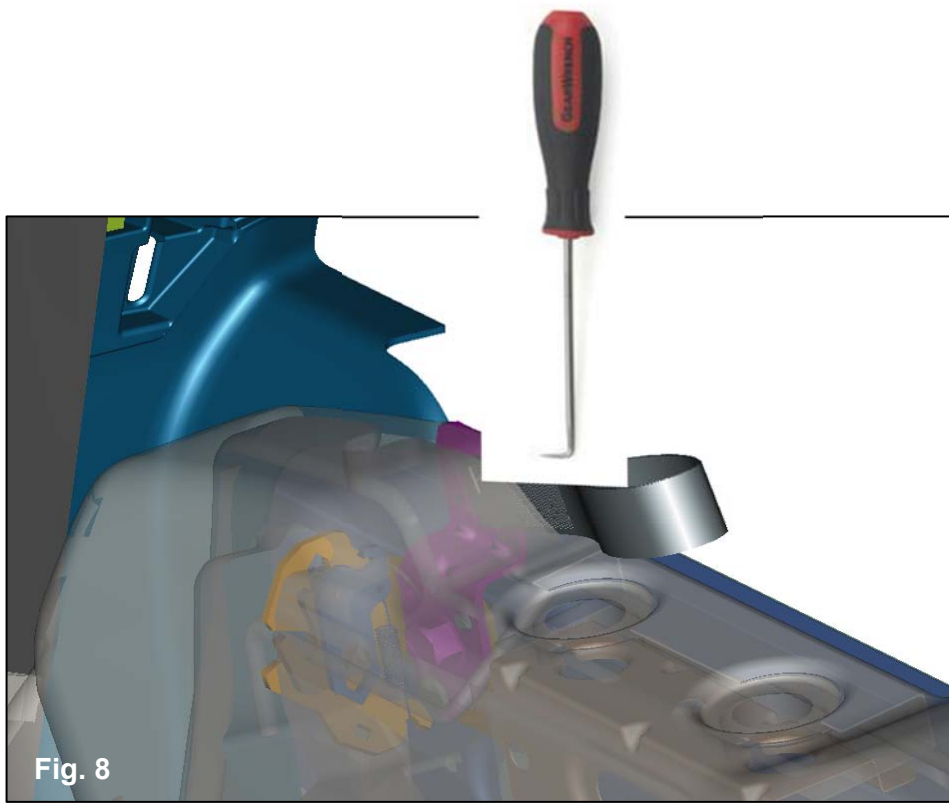
Fig. 5

5. Locate and remove 4 M6 lower attachment bolts securing the seat back to the BIW cab wall. Fig. 6
6. Using angled awl with point facing passenger side of vehicle – find latch release lever located to passenger side of each child seat re-router loop below the seat back trim. Insert awl into release lever on latch and pull vertically up 10-20 mm while pulling seat back forward to disengage striker from latch (Qty 3 latches – Passenger, Driver and Center) Release order does not matter Fig. 7, Fig. 8, Fig. 9. Fig. 10
7. Seat back can now be removed from the vehicle.



Remove M6 Lower attachment bolts – (Qty 4)





Troubleshooting the Kicker Integrated Systems

If you experience a problem once the subwoofer or amplifier are installed use this guide to locate the trouble.

The radio is working, but the Subwoofer is not working:

- Check the battery voltage to make sure it is not discharged below 11 volts.
- Check the negative battery cable to see if it has been securely tightened back on the battery.
- Check the inline fuse located near the battery to make sure it is plugged in completely, and not blown.
- Check the inline +12 volt power connector near the firewall to make sure it is plugged in securely.
- Check the inline connectors near the subwoofer enclosure to make sure they are plugged securely.
- Check the ground wire connection to make sure it is tightly secured to the proper ground in the vehicle.
- Check the audio input signal connection to make sure it is secure and connected to the proper wiring.
- Test with different music in case there is no low frequency audio in the initial sound check.

There is a problem with the multi-channel stereo amplifier:

- Check the battery voltage to make sure it is not discharged below 11 volts.
- Check the negative battery cable to see if it has been securely tightened back on the battery.
- Check the inline fuse located near the battery to see if it is plugged in completely and not blown.
- Check the multi-pin connectors at the back of the radio and at the amplifier chassis to make sure they are plugged all the way in.
- Check the ground wire connection to make sure it is tightly secured to the proper ground in the vehicle.

Symptom	Possible Cause	Solution
No Subwoofer Output	Fuse not installed in inline fuse holder on subwoofer and/or amplifier power harness	Install fuse into fuse holder. Refer to instructions for correct placement
	Low battery voltage	Recharge the battery
	Negative battery cable not connected	Reconnect negative battery cable
	Power wire connector not connected to body harness	Connect power wire to body harness. Check for loose connection
	Ground wire not grounded properly	Check ground wire with voltmeter to insure it is a good ground
	Balance and/or fader controls not set to neutral position	Set balance and fader control to center settings. (only affects stand-alone subwoofer kit)
	No low frequency information in music	Test with several different songs
	Subwoofer harness not properly/completely connected to subwoofer	Securely fasten both of the connectors on the subwoofer harness to the subwoofer. Check for loose connectors.
Radio Not Coming On	Blown radio fuse	Refer to owner's manual for radio fuse location and value
	Low battery voltage	Recharge the battery
Radio Comes On, But No Sound From Any Speakers	Fuse not installed in inline fuse holder on amplifier harness	Install fuse into fuse holder. Refer to instructions for correct placement
	Ground wire not grounded properly	Check ground wire with voltmeter to insure it is a good ground
	Low battery voltage	Recharge the battery

*If you continue to experience problems after troubleshooting, please contact KICKER Technical Support at
405-533-7499 oesupport@kicker.com*



P.O. Box 459 • Stillwater, Oklahoma 74076 • USA • (405) 624-8510