

Air conditioning systems for pleasant cooling



heating | cooling | controlling



More comfort on the move





Contents

Introduction	4
Customised climate comfort	5

Truma iNet System

Intelligent device control	6 – 7
Truma CP plus and Truma iNet Box	8 – 9



Air conditioning systems

Truma Aventa roof-mounted air conditioning system	10
Truma Aventa comfort	11
Truma Aventa eco	11
Truma Saphir compact	12
Truma Saphir comfort RC	13
Truma Saphir vario	13
Accessories for Truma storage box air conditioning systems	14 – 15



Truma CampWear

Clothing and more	16 – 19
-------------------	---------

Truma Online

Online and social media	20 – 21
-------------------------	---------

Truma Service

Service and Truma Partners	22 – 23
----------------------------	---------

Subject to change; no liability for errors.
The same applies to illustrations.

Stay cool – even on hot days

Surfing, playing beach volleyball or simply relaxing on the beach: Many campers head south in summer. To cool down after sporting activities, nothing beats a refreshing dip in the ocean. And in the evening you can return to just the right temperature in your caravan or motor home – thanks to the well-engineered air conditioning systems by Truma. Why not try them for yourself?



Customised climate comfort

The ideal air conditioning system for every vehicle

Whether roof or storage box – Truma has high-quality air conditioning systems for both. All devices are based on our many years of air conditioning experience and stand out due to their excellent cooling comfort. The air is cooled particularly efficiently and is also reliably dehumidified.

The required cooling performance – to make sure you choose the right air conditioner – depends on the following factors:

- Size of the interior
- Temperature and humidity
- Vehicle shading

Long vehicles in particular are best cooled with two Truma air conditioning systems, meaning that roof-mounted and storage box systems can be combined.

Truma Aventa roof-mounted air conditioning system

To save space, install an Aventa air conditioning system on the roof of your caravan or motor home, for example in a skylight.



Truma Saphir storage box system

Install the Saphir air conditioning system in the storage area of your vehicle, such as in the seating box or under the bed.



Aventa roof-mounted air conditioning system

Aventa eco

Aventa comfort

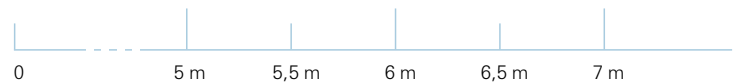
Saphir storage box system

Saphir compact

Saphir comfort RC

Saphir vario

Living area to be cooled with a vehicle length of approx.



5-year Truma parts warranty

Your Truma Partner provides a 5-year parts warranty for all Truma air conditioning systems.



www.truma.com/aircon

Smart appliance control, maximum comfort

Truma iNet System: everything under control

It couldn't be easier: while you're stretched out on your sunlounger at the beach, simply switch on the air conditioning in your motor home from your smartphone. With the Truma iNet System, that's all there is to it! And with the Truma App, you can do more too: besides controlling your air conditioning and heating easily, you can check exactly how much gas is in the cylinder – anywhere, any time.

The Truma iNet System consists of the following:

- The **Truma iNet Box** as the system's core.
- **iNet-capable Truma appliances** such as Aventa and Saphir comfort RC/Saphir compact air conditioning systems, a Combi heater with Truma CP plus iNet ready control panel, and Truma LevelControl.
- The free **Truma App** on your smartphone or tablet.

How the Truma iNet System works

The **Truma iNet Box** is the central control unit that links the **air conditioning, heater** and **Truma LevelControl**

with your smartphone or tablet. The system operates via Bluetooth when you're in range and SMS if you're out and about. And with the free Truma App you can control your air conditioning and heating and conveniently check how much gas there is in the cylinder. This is where Truma LevelControl comes in. You simply connect it to the iNet System and it uses ultrasound to measure the filling level of your gas cylinder and tell you how long the gas will last.

The Truma App

The Truma App is packed with helpful features and useful camping tools. Download the Truma App to your smartphone or tablet free of charge from the App Store or Google Play: www.truma.com/inet.



www.truma.com/inet







For the ultimate feel-good climate

Truma CP plus and Truma iNet Box

Truma CP plus

Control your Truma air conditioning system and/or Combi heater with the digital control panel Truma CP plus. Choose the temperature, adjust the fan or set the functions of your air conditioner or heater with the time switch.

Truma iNet Box

The Truma iNet Box is the intelligent interface that allows you to control your Truma devices conveniently while you are on the move from your smartphone via SMS – or via Bluetooth if you are within range. For example, to control the temperature in your vehicle, all you need is the free Truma App. The Truma iNet Box is easy to install and can be retrofitted for all iNet-capable Truma air conditioning systems and Combi heaters.

Truma automatic climate control

It doesn't matter how hot or cold it is outside, automatic climate control keeps the temperature in your vehicle just the way you like it. It automatically coordinates your Combi heater and Truma air conditioning system to keep your vehicle at the perfect temperature. You can use either the CP plus control panel or the Truma App to regulate your automatic climate control.

Truma CP plus

Digital control panel for air conditioning systems and Combi heater

The digital control panel Truma CP plus allows you to set the room and water temperature in your vehicle quickly and easily. Choose functions like fan speeds or the time switch instantly.



- **Intuitive operation:** With practical rotary pushbutton and large backlit display.
- **Time switch:** The right room temperature set at all times.
- **Automatic climate control:** Ensures a constant indoor temperature in all weathers.

Technical data

- Power supply: 8 – 16.5 V
- Power consumption: max. 65 mA (100% background lighting), 6.5 – 10 mA (standby)
- Quiescent current consumption: 3 mA (Off)
- Dimensions: 92 x 103 x 40 mm (L x W x H)
- Weight: approx. 100 g

Truma iNet Box

Central control unit for Truma devices

The Truma iNet Box serves as the Truma iNet System's core. It networks your Truma devices, like the air conditioning system and/or the Combi heater, with your smartphone or tablet. Monitor and control your iNet-capable devices – which are marked as “Truma iNet ready” – conveniently via the App.



- **Convenient:** Enables remote control and monitoring of your Truma air conditioning and heating systems via your smartphone or tablet.
- **Easy to install:** Simply install and start up with the Truma App.
- **Versatile:** Can be controlled simultaneously from up to four mobile devices.
- **Exclusive:** Available from your Truma Partner.

Technical data

- Power supply: 12 V/24 V
- Voltage range: min. 8 V, max. 30 V
- Average power consumption: 40 mA (12 V), 20 mA (24 V)
- SIM card type: Mini-SIM (25 x 15 mm)
- Interfaces: TIN Bus (2 x TIN1 replaceable, 1 x TIN2), GSM, Bluetooth
- Bluetooth: Class 2
- Dimensions: 147 x 96 x 40 mm (L x W x H)
- Weight: approx. 150 g

Cool air – distributed optimally

Truma Aventa roof-mounted air conditioning system

A day at the beach: Sand between your toes, salt on your skin, the sun in your face. Make sure every day of your summer holiday has the perfect ending – in a caravan or motor home with the ideal temperature. Truma roof-mounted air conditioning systems cool the vehicle interior efficiently and particularly quickly. The air is also dehumidified, ensuring a pleasant indoor climate.

No matter whether you choose the eco or comfort Aventa models, both air conditioning systems can be installed easily on the roof of your vehicle. With the **optional sealing frame**, the Aventa can be installed very quickly in a skylight. It ensures that the installation is absolutely leakproof to the inside.

Cool air flows throughout the entire interior via the **air distributor**. Adjust the four outlets individually and distribute the airflow evenly throughout your vehicle with no draughts. An integrated filter system cleans the indoor air. The air distributor is so flat it hardly takes up any valuable space.



Truma Aventa comfort

Powerful cooling, efficient heating

The Aventa comfort can do more than just powerful cooling. During spring and autumn, you can also use the roof-mounted air conditioning system with integrated heat pump as a heater. And it's extremely energy efficient.



- **Efficient:** Cools the vehicle to a pleasant temperature within a very short time.
- **Quiet:** Cools very quietly – especially in sleep mode.
- **Convenient:** Remote control, programmable timer, LED dimmer lighting.

Technical data

- Cooling power: 2400 W
- Heating power: 1700 W
- Power consumption in cooling mode (230 V): 4.2 A
- Power consumption in heating mode (230 V): 3.7 A
- Dimensions of external unit:
1008 x 660 x 248 mm (L x W x H)
- Dimensions of air distributor:
670 x 523 x 46 mm (L x W x H)
- Dimensions of roof cut-out:
380 x 350 mm / 400 x 400 mm (L x W)
- Weight: 33 kg

Truma Aventa eco

High performance, low energy consumption

The Aventa eco also cools your vehicle quickly and efficiently – even at campsites with weak fuse protection. Weighing in at 28 kilogrammes, the Aventa eco is the lightest air conditioning system in its class.



Technical data

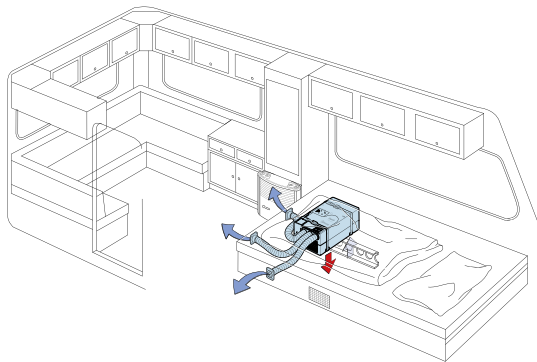
- Cooling power: 1700 W
- Power consumption (230 V): 2.8 A
- Dimensions of external unit:
1008 x 660 x 248 mm (L x W x H)
- Dimensions of air distributor:
670 x 523 x 46 mm (L x W x H)
- Dimensions of roof cut-out:
380 x 350 mm / 400 x 400 mm (L x W)
- Weight: 28 kg



Truma Saphir compact

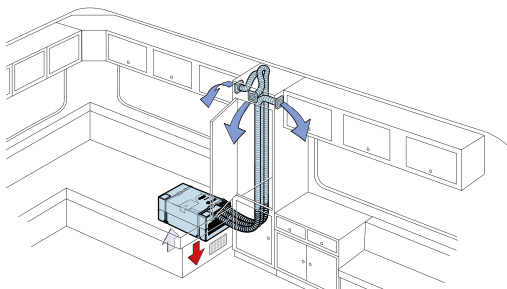
Storage box system for smaller vehicles

Lightweight, low power consumption: The Saphir compact is ideal for small and medium-sized vehicles up to 5.5 metres long. The storage box system not only cools the air, but cleans and dehumidifies it at the same time.



Eco solution

Cooling for a pleasant room climate. Ideal for pre-cooling the vehicle. Simple, economical and quick to install with the **Saphir EasySet** (part no. 40090-44100).



Comfort solution

For even air distribution inside the vehicle. The air is routed upwards and cools both functionally and comfortably with no draughts. Up to 15 metres of cold air duct can be connected.

- **Energy-saving:** Consumes very little power, which means that it can be used at most campsites throughout Europe.
- **Practical:** Cooling time can be programmed up to 15 hours in advance with the timer function.
- **Convenient:** Operated with Truma CP plus.

Technical data

- Cooling power: 1800 W
- Power consumption (230 V): 2.8 A
- Dimensions: 560 x 400 x 290 mm (L x W x H)
- Weight: 20 kg

Truma CP plus compatible and iNet ready from serial number 23091001. In combination with a Combi CP plus heater, a "control panel cable coupling" (part no. 39050-00175) is essential between the air conditioning system and the heater.

Truma Saphir comfort RC

Cooling and heating with one device

Saphir comfort RC is designed to cool vehicles between 5.5 and up to around 6.5 metres long*. The device can also be used as a heater with heat pump – thanks to the reversible cooling circulation system. With a heat output of 1700 W, the system generates pleasant warmth, especially during spring and autumn.



- **Efficient:** Cools particularly efficiently.
- **Compact:** The smallest in its class – installed in the seating box to save space and protect the device.
- **Convenient:** Adjust your individual feel-good temperature thanks to the automatic heating/cooling functions.

Technical data

- Cooling power: 2400 W
- Heating power: 1700 W
- Power consumption in cooling mode (230 V): 4.2 A
- Power consumption in heating mode (230 V): 3.7 A
- Dimensions: 628 x 400 x 290 mm (L x W x H)
- Weight: 23.5 kg

Truma Saphir vario

Storage box system for false floors

The Saphir vario is extremely efficient and has a very compact design. At just 20 centimetres high, it is the only air conditioning system that can be installed in a false floor.



- **Versatile:** Three variable operating levels, each with two different fan speeds, ensure maximum comfort.
- **Quiet:** In sleep mode the fans are at their lowest setting and are almost silent.
- **Practical:** With the integrated timer you can programme the system to switch off between 15 minutes and 24 hours in advance.

Technical data

- Cooling power: 600/1500/2000 W
- Power consumption: 1.7/3/4.4 A
- Dimensions: 800 x 550 x 200 mm (L x W x H)
- Weight: 28 kg

* For vehicle lengths of 6.5 m and over, we recommend installing two Saphir air conditioning systems.

A pleasant climate in every corner





Accessories for storage box air conditioning systems

A storage box air conditioning system allows you to **distribute the air individually** throughout your vehicle. Cool air is distributed flexibly through pipes – just the way you want it. Truma has a precisely coordinated **modular system** with which you can control the air volume and adjust the flow direction.

The **eco solution** distributes cool air through vents in the floor. Because of this, it is simple, inexpensive and quick to install. If **more comfort** is needed, direct the air in a cupboard upwards to distribute it evenly throughout the vehicle. With the **luxury option** you can specify that different areas are kept at exactly the temperature you want, such as for sleeping and living. This allows you to cool the vehicle consistently, quietly and with no draughts.

If quiet is still too loud for you, install sound mufflers in the cool airflow. Just one **sound muffler** installed in each cool air line reduces the noise of the airflow inside the vehicle by about 50 percent. Minimise external noise with an **air outlet channel**, which is installed at the supply outlet beneath the vehicle.

Attention to detail and
premium quality



Camping in style

No matter whether you are en route to the South of France in your caravan or driving your motor home through the Dolomites – with the Truma CampWear, you can be sure that you are always dressed for the occasion. Our functional clothing, from T-shirts to windproof jackets, is made using the very best materials and finished to the highest quality standards. The clothes are comfortable to wear and bound to make an eye-catching statement with many fashionable details in the Truma colours.

All items of clothing are available in men's and women's fits. You will also find many practical, fashionable accessories in our Truma CampWear Shop.

Simply order your products online.



www.truma-campwear.com

Truma T-shirt

Our fashionable dark blue T-shirt with the printed Truma slogan "More comfort on the move" is ideal for all leisure activities – both on and off the campsite.





Truma fleece jacket

The lightweight Truma fleece jacket keeps you warm on cool days at the campsite. The fleecy soft fabric is comfortable, hard-wearing and dries quickly – the ideal companion for all your activities.



Truma reversible body warmer

This grey-and-orange reversible quilted body warmer is very lightweight and packs compactly, making it a must-have for camping and hiking. Simply put it on and get out there.



Truma 2-in-1-jacket

Windproof outer jacket with warming fleece gilet: With this sporty 2-in-1-jacket you'll be equipped for any weather during your camping holiday. The jacket can also be worn without the sleeveless gilet – and vice versa.



Truma polo shirt

You'll always feel good in this casual Truma polo shirt in blue or white: whether you are camping, exercising or at home. The finely structured piqué cotton has an airy lightness that feels good against your skin.



Truma backpack

Our spacious backpack has room for everything you need for a day trip while camping: from your lunch to your sunscreen.

Information and service on all channels



Truma Online

Keep up to date with our online platforms and share your experiences with us. Become a subscriber, a fan or a follower.

Website and newsletter

Visit our website www.truma.com if you are looking for a dealership or a Service Partner. You will also find extensive information and downloads about our products there. Subscribe to our newsletter to get all the news directly in your inbox: www.truma.com/newsletter

Service blog

In our blog we discuss everything to do with caravanning – from general questions about gas supplies to tips for better warm air distribution as well as advice on how to install our products in your vehicle. But you can contribute too: Share your experiences and send your comments to <https://serviceblog.truma.com>

App

With the free Truma App for smartphones and tablets you can quickly access your Truma operating instructions when you are on the road. Useful tools make everyday camping easier. In combination with the Truma iNet Box, you can use the App as a remote control for your Truma air conditioner and Combi heater: www.truma.com/inet

Other social media

Facebook

Interesting facts, entertaining posts, competitions
www.facebook.com/Truma.Fan

YouTube

How-to-use, installation and product videos
www.youtube.com/trumageraetetchnik

Twitter

Truma news in real time
www.twitter.com/truma_de

Always there for you



Bl...
Fracht...



Service

Truma Service



We are absolutely committed to the products that we introduce to the market. They are thought through down to the very last detail and are produced with great care at our manufacturing site in Putzbrunn near Munich, Germany. And it goes without saying that they undergo constant quality checks.

But if you should ever need our help, we will be happy to assist you. And wherever you are, we're always close by: whether in our Truma Service Workshop in Putzbrunn or with one of around 500 Service Partners throughout Europe and in the most important camping regions worldwide. With the right tools, original spare parts and, of course, more than 65 years of experience. Ensuring you can get things up and running again quickly.

General advice is available on our website www.truma.com, the Truma Service blog <https://serviceblog.truma.com> or your Truma App.

If you can't find what you are looking for there, contact the Truma Service by e-mail at service@truma.com or phone on +49 (0)89 4617-2020.

Our service staff...

- ...coordinate local Service Partners or the Truma Service Workshop.
- ...help you with foreign languages.
- ...help you troubleshoot and rectify faults.
- ...provide advice regarding the installation of Truma products.

Exclusive products, exclusive service

Truma Partners have a wider range of services than other caravan dealers.

Truma Partners...

- ...give you a 5-year parts warranty for air conditioning and manoeuvring systems – which means that you are protected for three years longer than usual.
- ...offer you the complete range of Truma products. This includes exclusive accessories, such as the Truma iNet Box and the multiple award-winning Truma Mover® XT.
- ...are trained regularly and are always up to date. They describe clearly how Truma products work and explain technical details.
- ...are often also Service Partners. They are closely connected to Truma and are your reliable contact if you should ever need spare parts.



www.truma.com/dealersearch



Printed on FSC®-certified Profibulk 1.1 paper. All raw materials originate from sustainably managed sources in accordance with EMAS registration, and are processed in a way that protects resources. For our environment. For you.

Truma Gerätetechnik GmbH & Co. KG
Wernher-von-Braun-Straße 12
85640 Putzbrunn
Germany

www.truma.com


More comfort on the move