



AIRFRAME DENT & BUCKLE LOG

AIRCRAFT SERIAL NBR 25622
AIRCRAFT REGISTRATION NBR

OO-TFA

Statement : Revision level stated as date in reversed order (yyyymmdd) in the lower left corner of each page.

Attested by:

Signature

Date : **07 December 2015**



DENT AND BUCKLE CHART INDEX

TEC/05-003.6

REVISION 2

19 JUL 2012

→ Part I - GENERAL

AC type Boeing B757-200			MSN MSN 25622		Registration OO-TFA			Date 26 November 2015 59969,22 T.T. / 16679 T.C.				
Chart Ref.	Date Raised	Logged on Document	Damage location	Description of Damage	Area and depth of Damage	Allowable law	Classification	Limitation	Status	Date Closed	Logged on Document	Remarks
4	12/05/2004	DE # 63071, Dent Chart Manual, ICE/757/DCM issue 4	STA 315, near STR19L	Dent	1.5x1.2x0.025" A/Y=48	SRM 53-00-01 Fig 404	Minor Cat A	None	Closed	12/05/2004	DE # 63071, Dent Chart Manual, ICE/757/DCM issue 4	ITS ref # LH Fuse Item 13 No damage found per DRC 0333 (workorder 11984873)
2	12/05/2004	DE # 63071, Dent Chart Manual, ICE/757/DCM issue 1	STA 397-401, between STR17L and STR18L	Dent	4.0x3.0x0.48" A/Y=62.5	SRM 53-00-01 Fig 101	Minor Cat A	None	Closed	12/05/2004	DE # 63071, Dent Chart Manual, ICE/757/DCM issue 1	ITS ref # LH Fuse Item 14
3	12/05/2004	DE # 63071, Dent Chart Manual, ICE/757/DCM issue 4	STA 566, between STR21L and STR22L	Dent	1.2x0.9x0.02" A/Y=45	SRM 53-00-01 Fig 404	Minor Cat A	None	Closed	12/05/2004	DE # 63071, Dent Chart Manual, ICE/757/DCM issue 4	ITS ref # LH Fuse Item 15 Removed by PTC modification, ref DRC0272 (workorder 11983678)
4	12/05/2004	DE # 63071, Dent Chart Manual, ICE/757/DCM issue 1	STA 694, between STR21L and STR22L	Dent	1.7x1.3x0.03" A/Y=43	SRM 53-00-01 Fig 101	Minor Cat A	None	Closed	12/05/2004	DE # 63071, Dent Chart Manual, ICE/757/DCM issue 1	ITS ref # LH Fuse Item 16
5	12/05/2004	DE # 63071, Dent Chart Manual, ICE/757/DCM issue 1	STA 753-757, between STR17L and STR18L	Dent	3.7x2.7x0.047" A/Y=57	SRM 53-00-01 Fig 101	Minor Cat A	None	Closed	12/05/2004	DE # 63071, Dent Chart Manual, ICE/757/DCM issue 1	ITS ref # LH Fuse Item 17
6	12/05/2004	DE # 63071, Dent Chart Manual, ICE/757/DCM issue 1	STA 1498, between STR18L and STR19L	Dent	2.0x1.6x0.034" A/Y=47	SRM 53-00-01 Fig 101	Minor Cat A	None	Closed	12/05/2004	DE # 63071, Dent Chart Manual, ICE/757/DCM issue 1	ITS ref # LH Fuse Item 18
7	12/05/2004	DE # 63071, Dent Chart Manual, ICE/757/DCM issue 1	STA 1698, between STR18L and STR19L	Dent	1.67x1.3x0.02" A/Y=65	SRM 53-00-01 Fig 101	Minor Cat A	None	Closed	12/05/2004	DE # 63071, Dent Chart Manual, ICE/757/DCM issue 1	ITS ref # LH Fuse Item 19
8	12/05/2004	DE # 63071, Dent Chart Manual, ICE/757/DCM issue 1	STA 1701, between STR16L and STR17L	Dent	1.47x1.1x0.02" A/Y=55	SRM 53-00-01 Fig 101	Minor Cat A	None	Closed	12/05/2004	DE # 63071, Dent Chart Manual, ICE/757/DCM issue 1	ITS ref # LH Fuse Item 20
9	12/05/2004	DE # 63071, Dent Chart Manual, ICE/757/DCM issue 1	STA 1706, between STR16L and STR17L	Dent	1.6x1.3x0.01" A/Y=130	SRM 53-00-01 Fig 101	Minor Cat A	None	Closed	12/05/2004	DE # 63071, Dent Chart Manual, ICE/757/DCM issue 1	ITS ref # LH Fuse Item 21
10	12/05/2004	DE # 63071, Dent Chart Manual, ICE/757/DCM issue 1	STA 1715, between STR15L and STR16L	Dent	1.6x1.4x0.02" A/Y=70	SRM 53-00-01 Fig 101	Minor Cat A	None	Closed	12/05/2004	DE # 63071, Dent Chart Manual, ICE/757/DCM issue 1	ITS ref # LH Fuse Item 22
11	12/05/2004	DE # 63071, Dent Chart Manual, ICE/757/DCM issue 1	STA 1715, between STR15L and STR16L	Dent	1.84x1.7x0.03" A/Y=56	SRM 53-00-01 Fig 101	Minor Cat A	None	Closed	12/05/2004	DE # 63071, Dent Chart Manual, ICE/757/DCM issue 1	ITS ref # LH Fuse Item 23 ST Aero DRC 0332 (workorder 11984872)
12	25/04/2007	Shannon Aero # 1520222077-0010	STA 315, between STR17L and STR18L	Dent	1.5x2.0x0.029" A/Y=51.7	SRM 53-00-01 AD1	Minor Cat A	None	Closed	25/04/2007	Shannon Aero # 1520222077-0010	ITS ref # LH Fuse Item 29
13	25/04/2007	Shannon Aero # 1520221878-0010	STA 1632, between STR13L and STR14L	Dent	1x1.2x0.017" A/Y=58	SRM 53-00-01 AD1	Minor Cat A	None	Closed	25/04/2007	Shannon Aero # 1520221878-0010	ITS ref # LH Fuse Item 30



DENT AND BUCKLE CHART INDEX

TEC/05-003.6

REVISION 2

19 JUL 2012

→ Part I - GENERAL

AC type Boeing B757-200			MSN MSN 25622		Registration OO-TFA			Date 26 November 2015 59969,22 T.T. / 16679 T.C.				
Chart Ref.	Date Raised	Logged on Document	Damage location	Description of Damage	Area and depth of Damage	Allowable law	Classification	Limitation	Status	Date Closed	Logged on Document	Remarks
14	25/04/2007	Shannon Aero # 1520221876-0010	STA 1400, between STR14L and STR15L	Dent	0.5x0.25x0.012" A/Y=41	SRM 53-00-01 AD1	Minor Cat A	None	Closed	25/04/2007	Shannon Aero # 1520221876-0010	ITS ref # LH Fuse Item 31
15	25/04/2007	Shannon Aero # 1520221886-0010	STA 1701-1720, between STR14L and STR15L	3xDents	1x0.018" A/Y=55 1x0.008" A/Y=125 2x0.021" A/Y=95	SRM 53-00-01 AD1	Minor Cat A	None	Closed	25/04/2007	Shannon Aero # 1520221886-0010	ITS ref # LH Fuse Item 32
16	20/01/2011	Air Finland, TLP 006171	STA 378, between STR18L and STR19L	Dent	30x35x0.28mm A/Y=107	SRM 53-00-01 AD1	Minor Cat A	None	Closed	20/01/2011	Air Finland, TLP 006171	ITS ref # LH Fuse Item 35
17	21/02/2011	DE # 173307	STA 395-418, just below STR17L	Dent	2.25x2.79x0.014" A/Y=125	SRM 53-00-01 AD1	Minor Cat A	None	Closed	21/02/2011	DE # 173307	ITS ref # LH Fuse Item 36
18	21/02/2011	DE # 173309	STA 1420, between STR24L and STR25L	Dent	1x0.5x0.004" A/Y=125	SRM 53-00-01 AD1	Minor Cat A	None	Closed	21/02/2011	DE # 173309	ITS ref # LH Fuse Item 37
19	21/02/2011	DE # 173310	STA 1440, between STR24L and STR25L	2xDents	1.5x0.5x0.005" A/Y100 0.5x0.5x0.006" A/Y83	SRM 53-00-01 AD1	Minor Cat A	None	Closed	21/02/2011	DE # 173310	ITS ref # LH Fuse Item 38
20	21/02/2011	DE # 173311	STA 1620, between STR14L and STR15L	Dent	1x1x0.001" A/Y=1000	SRM 53-00-01 AD1	Minor Cat A	None	Closed	21/02/2011	DE # 173311	ITS ref # LH Fuse Item 39
21	21/02/2011	DE # 173314	Aft Lower Fuselage, STA 1380-1400 between STR-24L and STR-25L	Wrinkles		SRM 53-00-01 AD1 note "H" & SL-757-53-031-A	Minor Cat A	None	Closed	21/02/2011	DE # 173314	ITS ref # LH Fuse Item 40
22	23/08/1995	BA # D00024	STA 1480-1520, between STR17L and STR18L	Scratch		SRM 53-00-01 Fig 101	Minor Cat A	None	Closed	23/08/1995	BA # D00024	ITS ref # LH Fuse Item 1 Not Visible
23	12/05/2004	DE # 63071, Dent Chart Manual, ICE/757/DCM issue 1	STA 345, between STR21R and STR22R	Dent	0.7x0.7x0.02" A/Y=35	SRM 53-00-01 Fig 101	Minor Cat A	None	Closed	12/05/2004	DE # 63071, Dent Chart Manual, ICE/757/DCM issue 1	ITS ref # RH Fuse Item 8 Location corrected per DRC 0143
24	12/05/2004	DE # 63071, Dent Chart Manual, ICE/757/DCM issue 1	STA 1473-1476, between STR23R and STR24R	Scratch		SRM 53-00-01 Fig 101	Minor Cat A	None	Closed	12/05/2004	DE # 63071, Dent Chart Manual, ICE/757/DCM issue 1	ITS ref # RH Fuse Item 12 Not Visible
25	12/05/2004	DE # 63071, Dent Chart Manual, ICE/757/DCM issue 1	STA 1480-1482, between STR21R and STR22R	Dent	2x1x0.02" A/Y=50	SRM 53-00-01 Fig 101	Minor Cat A	None	Closed	12/05/2004	DE # 63071, Dent Chart Manual, ICE/757/DCM issue 1	ITS ref # RH Fuse Item 13
26	26/01/2005	TLP 000668	STA 820 at WL176 Wing to Body Fairing.	Scratch		SRM 53-00-70 AD1	Minor Cat A	None	Closed	26/01/2005	TLP 000668	ITS ref # RH Fuse Item 16 Not Visible
27	17/11/2005	WO# 3663, Item # 344	STA 672, between STR21R and STR22R	Dent	2x2x0.05" A/Y=40	SRM 53-00-01 AD1	Minor Cat A	None	Closed	17/11/2005	WO# 3663, Item # 344	ITS ref # RH Fuse Item 17 Location corrected per DRC 0334
28	25/04/2007	Shannon Aero # 1520221883-0010	STA 380, between STR23R and STR24R	Dent	0.25x0.5x0.005" A/Y=50	SRM 53-00-01 AD1	Minor Cat A	None	Closed	25/04/2007	Shannon Aero # 1520221883-0010	ITS ref # RH Fuse Item 20
29	25/04/2007	Shannon Aero # 1520221882-0010	STA 325, between STR17R and STR18R	2xDents	0.5/0.013" A/Y=38 0.5/0.012" A/Y=41	SRM 53-00-01 AD1	Minor Cat A	None	Closed	25/04/2007	Shannon Aero # 1520221882-0010	ITS ref # RH Fuse Item 21
30	25/04/2007	Shannon Aero # 1520221884-0010	Aft Cargo Door, Aft Lwr Corner	2xDents	3/0.056" A/Y=53.5 1.5x0.040" A/Y=37.5	SRM 52-30-01 AD1	Minor Cat A	None	Closed	25/04/2007	Shannon Aero # 1520221884-0010	ITS ref # RH Fuse Item 22



DENT AND BUCKLE CHART INDEX

TEC/05-003.6

REVISION 2

19 JUL 2012

→ Part I - GENERAL

AC type Boeing B757-200			MSN MSN 25622		Registration OO-TFA			Date 26 November 2015 59969,22 T.T. / 16679 T.C.				
Chart Ref.	Date Raised	Logged on Document	Damage location	Description of Damage	Area and depth of Damage	Allowable law	Classification	Limitation	Status	Date Closed	Logged on Document	Remarks
31	24/05/2010	Monarch, # 998770	STA 1700, between STR14R and STR15R	Dent	1.67x1.3x0.02" A/Y=65	SRM 53-00-01 AD1	Minor Cat A	None	Closed	24/05/2010	Monarch, # 998770	ITS ref # RH Fuse Item 27
32	21/02/2011	DE # 173312	STA 1610, approx 7" right of BLO	Dent	1x1x0.015" A/Y=67	SRM 53-00-01 AD1	Minor Cat A	None	Closed	21/02/2011	DE # 173312	ITS ref # RH Fuse Item 35
33	21/02/2011	DE # 173313	STA 695, between STR21R and STR22R	Dent	0.5x0.5x0.007" A/Y=71	SRM 53-00-01 AD1	Minor Cat A	None	Closed	21/02/2011	DE # 173313	ITS ref # RH Fuse Item 36
34	21/02/2011	DE # 173318	Upper surface of R/H inbd main flap, inline with #7 spoiler actuator	2xDents	6x1x0.004" A/Y=250 6x1x0.01" A/Y=100	SRM 57-53-01 AD1	Minor Cat A	None	Closed	21/02/2011	DE # 173318	ITS ref # Wings Item 24
35	12/05/2004	DE # 63970	L and R Wing Leading Edge Slats	Hail Damage	316xDents (Slat 1) 169xDents (Slat 2) 108xDents (Slat 3) 84xDents (Slat 4) 68xDents (Slat 5) 115xDents (Slat 6) 58xDents (Slat 7) 139xDents (Slat 8) 47xDents (Slat 9) 35xDents (Slat 10)	SRM 57-43-01 AD1	Minor Cat A	None	Closed	12/05/2011	DE # 63970	ITS ref # Wings Item 15 ST Aero DRC0398 (11987756)
36	26/02/2011	DE # 173319	# 9 Leading Edge Slat inbd end, WS 594.5	Dent	1.250x0.020" A/Y=62.5	SRM 57-43-01 AD1	Minor Cat A	None	Closed	26/02/2011	DE # 173319	ITS ref # Wings Item 31 ST Aero DRC # 0110
37	26/02/2011	DE # 173317	# 1 Leading Edge Slat inbd end	Dent	2,015x0.024" A/Y=839	SRM 57-43-01 AD1	Minor Cat A	None	Closed	26/02/2011	DE # 173317	ITS ref # Wings Item 32 ST Aero DRC # 0109
38	12/05/2004	DE # 63071, Dent Chart Manual, ICE/757/DCM issue 1	#1 Engine, Inbd cowling, 50" from bottom edge, 28" from fwd edge	Dent	1.3x1x0.017" A/Y=59	SRM 54-20-01 Fig 101	Minor Cat A	None	Closed	12/05/2004	DE # 63071, Dent Chart Manual, ICE/757/DCM issue 1	ITS ref # Engine Cowlings and Pylons Item 21 Zone 4 Not Visible
39	12/05/2004	DE # 63071, Dent Chart Manual, ICE/757/DCM issue 1	#1 Engine, outbd cowling, 24" from top edge, 24" from aft edge	Dent	0.9x0.6x0.015" A/Y=40	SRM 54-20-01 Fig 101	Minor Cat A	None	Closed	12/05/2004	DE # 63071, Dent Chart Manual, ICE/757/DCM issue 1	ITS ref # Engine Cowlings and Pylons Item 22 Zone 4 Not Visible
40	12/05/2004	DE # 63071, Dent Chart Manual, ICE/757/DCM issue 1	#1 Engine, outbd cowling, 10" from top edge, 17" from aft edge	Dent	0.8x0.7x0.02" A/Y=35	SRM 54-20-01 Fig 101	Minor Cat A	None	Closed	12/05/2004	DE # 63071, Dent Chart Manual, ICE/757/DCM issue 1	ITS ref # Engine Cowlings and Pylons Item 23 Zone 1 Not Visible
41	26/02/2011	DE # 173919	#2 Engine, outer barrel skin at 6 o'clock position	Dent	Depth : 0.006" Max Diameter : 0,8 "	FAA Form 8100-9 dated Jan 20, 2012	Minor Cat A	None	Closed	8/02/2012	STAE DRC 0399 (11988114)	ITS ref # Engine Cowlings and Pylons Item 24 Zone 1



TNT Airways S.A.

DENT AND BUCKLE CHART INDEX

TEC/05-003.6

REVISION 2

19 JUL 2012

→ Part I - GENERAL

AC type Boeing B757-200			MSN MSN 25622		Registration OO-TFA			Date 26 November 2015 59969,22 T.T. / 16679 T.C.				
Chart Ref.	Date Raised	Logged on Document	Damage location	Description of Damage	Area and depth of Damage	Allowable law	Classification	Limitation	Status	Date Closed	Logged on Document	Remarks
42	21/02/2011	DE # 173321	#1 Engine, outbd fan cowl, 24" from hinge line, 6" from aft edge	Dent	0.5x1x0.003"	SRM 54-20-01 AD1	Minor Cat A	None	Closed	21/02/2011	DE # 173321	ITS ref # Engine Cowlings and Pylons Item 31 Zone 4 Not Visible
43	26/02/2011	DE # 173324	#1 Engine, outbd fan cowl, fwd of starter air valve access door	Dent	0.005"	SRM 54-20-01 AD1	Minor Cat A	None	Closed	26/02/2011	DE # 173324	ITS ref # Engine Cowlings and Pylons Item 32 Zone 4 Not Visible
44	21/02/2011	DE # 173326	#1 Engine, inbd fan cowl, fwd of oil filler access door	Dent	2x2x0.002" A/Y=1000	SRM 54-20-01 AD1	Minor Cat A	None	Closed	21/02/2011	DE # 173326	ITS ref # Engine Cowlings and Pylons Item 34 Zone 2 Not Visible
45	23/02/2011	DE # 173328	#1 Engine, inbd fan cowl, mid cowl	Dent	1.5x1.5x0.011"	SRM 54-20-01 AD1	Minor Cat A	None	Closed	23/02/2011	DE # 173328	ITS ref # Engine Cowlings and Pylons Item 35 Zone 4
46	21/02/2014	DE # 173329	#1 Engine, Panel 416BR	Damaged	0.5" wide x 0.15" deep	SRM 54-30-01-1A-3	Minor Cat C	Inspect at every A chk, repair next C check	Open			ITS ref # Engine Cowlings and Pylons Item 38, Requires repair at next "C" check Replaced by Repair item 101
47	23/02/2011	DE # 173330	#1 Engine, inbd reverser cowl, fwd edge approx 2 o'clock position	Dent	0.5x0.5x0.010"	SRM 54-30-01 AD1	Minor Cat A	None	Closed	1/02/2012	STAe DRC 0429 (11992271)	ITS ref # Engine Cowlings and Pylons Item 39
48	21/02/2014	DE # 173332	#1 Engine, common-nozzle, 3 o'clock position at fwd edge.	3xDents	Top: 0.5x0.5x0.005" Mid: 0.5x0.5x0.005" Bottom: 0.5x0.5x0.01"	SRM 54-40-01-2R-3	Minor Cat A	None	Closed	21/02/2014	DE # 173332	ITS ref # Engine Cowlings and Pylons Item 40 Replaced by Repair #110
49	23/02/2011	DE # 173333	#2 Engine, inbd reverser cowl duct inner surface.	Dent	0.5x2x0.006"	SRM 54-30-01 AD1/AD2	Minor Cat A	None	Closed	23/02/2011	DE # 173333	ITS ref # Engine Cowlings and Pylons Item 41 Zone 4
50	21/02/2014	DE # 173334	#2 Engine, common-nozzle, 3 o'clock position fwd end	Dent	0.78x0.08x0.018" A/Y=43	SRM 54-40-01-2R-3	Minor Cat A	None	Closed	21/02/2014	DE # 173334	ITS ref # Engine Cowlings and Pylons Item 42 Replaced by Repair item 99



TNT Airways S.A.

DENT AND BUCKLE CHART INDEX

TEC/05-003.6

REVISION 2

19 JUL 2012

→ Part I - GENERAL

AC type Boeing B757-200			MSN MSN 25622		Registration OO-TFA			Date 26 November 2015 59969,22 T.T. / 16679 T.C.				
Chart Ref.	Date Raised	Logged on Document	Damage location	Description of Damage	Area and depth of Damage	Allowable law	Classification	Limitation	Status	Date Closed	Logged on Document	Remarks
54	21/02/2014	DE # 173335	#2 Engine, common-nozzle, 3 o'clock position- aft end	Dent	0.315x0.25x0.004" A/Y=52.5	SRM 54-40-01-	Minor Cat A	None	Closed	21/02/2014	DE # 173335	ITS ref # - Engine-Cowlings and Pylons-Item 43 Replaced by D&B item 103
52	28/02/2014	DE # 173336	#2 Engine, outbd reverser-cowl hinge line	2 areas of chaffing		SRM 54-30-01-Fig-104	Minor Cat C	Inspect at every A-CHK, repair next C-check	Open			ITS ref # - Engine-Cowlings and Pylons-Item 46; Requires repair at next "C" check No Damage found per DRC # 0094
53	21/02/2014	DE # 173337	#2 Engine, common-nozzle, 8 o'clock position- fwd end	Dent	3x0.5x0.006"	SRM 54-40-01-2R-3	Minor Cat C	Inspect at every A-CHK, repair next C-check	Open			ITS ref # - Engine-Cowlings and Pylons-Item 48; Requires repair at next "C" check Replaced by Repair item 100
54	23/02/2014	DE # 173338	#2 Engine, inbd reverser-cowl fwd end	Dent	4.8x4.4x0.052" A/Y=35	SRM 54-20-01 AD4	Minor Cat A	None	Closed	23/02/2014	DE # 173338	ITS ref # - Engine-Cowlings and Pylons-Item 49 Zone 4 Replaced on 28/06/2012 (SRP 001657)
55	23/02/2011	DE # 173339	#2 Engine, outbd fan cowl, 6 o'clock position, 6" from forward edge; 6.75" from lower edge	Dent	0.5x0.25x0.005" A/Y=100	SRM 54-20-01 AD1	Minor Cat A	None	Closed	23/02/2011	DE # 173339	ITS ref # - Engine Cowlings and Pylons Item 50 Zone 4 ST Aero DRC0404 (11988119)
56	23/02/2011	DE # 173340	#1 Engine, Intake lip at 1 o'clock position	Dent	1x1x0.028" M=0.086" ; Z=4.43" Z/M = 51	SRM 54-10-01 AD2	Minor Cat A	None	Closed	23/02/2011	DE # 173340	ITS ref # - Engine Cowlings and Pylons Item 51 Zone 1 ST Aero DRC0400 (11988115)
57	22/02/2011	DE # 173341	#1 Engine, intake lip outer face at 3 o'clock position	Dent	2.0 x 0.003" M=0.080" ; Z/M >> 5	SRM 54-10-01 AD2	Minor Cat A	None	Closed	22/02/2011	DE # 173341	ITS ref # - Engine Cowlings and Pylons Item 52 Zone 1 ST Aero DRC0401 (11988116)



DENT AND BUCKLE CHART INDEX

TEC/05-003.6

REVISION 2

19 JUL 2012

→ Part I - GENERAL

AC type Boeing B757-200			MSN MSN 25622		Registration OO-TFA			Date 26 November 2015 59969,22 T.T. / 16679 T.C.				
Chart Ref.	Date Raised	Logged on Document	Damage location	Description of Damage	Area and depth of Damage	Allowable law	Classification	Limitation	Status	Date Closed	Logged on Document	Remarks
58	23/02/2011	DE # 173323	#1 Engine, outbd fan cowl, mid cowl.	Dent	2x4x0.02"	SRM 54-20-01 AD1	Minor Cat A	None	Closed	23/02/2011	DE # 173323	ITS ref # Engine Cowlings and Pylons Item 55 Zone 4
59	12/05/2004	DE # 63071, Dent Chart Manual, ICE/757/DCM issue 1	Left Horizontal Stabilizer leading edge, 39" from the tip	Dent	1.3x0.8x0.023" A/Y=40	SRM 55-10-01 Fig 101	Minor Cat A	None	Closed	12/05/2004	DE # 63071, Dent Chart Manual, ICE/757/DCM issue 1	ITS ref # Horizontal Stabilizers Item 2 Not Visible
60	12/05/2004	DE # 63071, Dent Chart Manual, ICE/757/DCM issue 1	Left Horizontal Stabilizer, 25" from fuselage, 8" aft of leading edge	Dent	1.4x1.1x0.031" A/Y=35	SRM 55-10-01	Minor Cat A	None	Closed	12/05/2004	DE # 63071, Dent Chart Manual, ICE/757/DCM issue 1	ITS ref # Horizontal Stabilizers Item 3 Replaced by Repair item 109
61	25/04/2007	Shannon Aero # 1520222103-0010	Left Horizontal Stabilizer leading edge, 80" from fuselage	Dent	1x1.2x0.017" A/Y=58	SRM 55-10-01 AD1	Minor Cat A	None	Closed	25/04/2007	Shannon Aero # 1520222103-0010	ITS ref # Horizontal Stabilizers Item 4
62	25/04/2007	Shannon Aero # 1520222105-0010	Right Horizontal Stabilizer, lower skin 99" from fuselage, 9" aft of leading edge	Dent	8x0.5x0.004" A/Y=111	SRM 55-10-01	Minor Cat A	None	Closed	25/04/2007	Shannon Aero # 1520222105-0010	ITS ref # Horizontal Stabilizers Item 5 Replaced by Repair item 108
63	25/04/2007	Shannon Aero # 1520222105-0010	Right Horizontal Stabilizer, lower skin 96" from fuselage, 9" aft of leading edge	Dent	0.75x0.5x0.011" A/Y=43	SRM 55-10-01 AD1	Minor Cat A	None	Closed	25/04/2007	Shannon Aero # 1520222105-0010	ITS ref # Horizontal Stabilizers Item 6 Replaced by Repair item 108
64	4/12/2011	STAe DRC 0271- (11983677)	Left Horizontal Stabilizer leading edge, Stab STA-254	Dent	1.0x0.028" A/Y=35	SRM 55-10-01 AD1	Minor Cat A	None	Closed	2/12/2011	STAe DRC 0271- (11983677)	Replaced by repair 112 (contour restoration)
65	7/12/2011	STAe DRC 0320 (11984856)	STA 665 STR 24R TO 25R	Dent	0.5x0.006" A/Y=83	SRM 53-00-01 AD1	Minor Cat A	None	Closed	7/12/2011	STAe DRC 0320 (11984856)	
66	7/12/2011	STAe DRC 0321 (11984857)	STA 684 STR 23R TO 24R	Dent	0.75x0.007" A/Y=107	SRM 53-00-01 AD1	Minor Cat A	None	Closed	7/12/2011	STAe DRC 0321 (11984857)	
67	7/12/2011	STAe DRC 0322 (11984858)	STA 690 STR 23R TO 24R	Dent	1.00x0.004" A/Y=250	SRM 53-00-01 AD1	Minor Cat A	None	Closed	7/12/2011	STAe DRC 0322 (11984858)	
68	7/12/2011	STAe DRC 0323 (11984859)	STA 562 STR 26L TO 27L	Dent	1.25x0.010" A/Y=125	SRM 53-00-01 AD1	Minor Cat A	None	Closed	7/12/2011	STAe DRC 0323 (11984859)	
69	7/12/2011	STAe DRC 0325- (11984861)	STA 665 STR 24L TO 25L	Dent	1.5x0.009" A/Y=166	SRM 53-00-01 AD1	Minor Cat A	None	Closed	7/12/2011	STAe DRC 0325- (11984861)	Included in item 70
70	7/12/2011	STAe DRC 0326 (11984862)	STA 665 STR 22L TO 23L	2xDents	1.0x0.008" A/Y=125 1.5x0.009" A/Y=166	SRM 53-00-01 AD1	Minor Cat A	None	Closed	7/12/2011	STAe DRC 0326 (11984862) STAe DRC 0325 (11984861)	
71	7/12/2011	STAe DRC 0327 (11984863)	STA 1657 STR 27L TO 28L	Dent	1.0x0.014" A/Y=71	SRM 53-00-01 AD1	Minor Cat A	None	Closed	7/12/2011	STAe DRC 0327 (11984863)	
72	7/12/2011	STAe DRC 0328 (11984864)	STA 1666 STR 29L TO 30	Dent	0.75x0.004" A/Y=187	SRM 53-00-01 AD1	Minor Cat A	None	Closed	7/12/2011	STAe DRC 0328 (11984864)	
73	7/12/2011	STAe DRC 0329 (11984865)	STA 1714 STR 27L TO 28L	Dent	1.25x0.010" A/Y=125	SRM 53-00-01 AD1	Minor Cat A	None	Closed	7/12/2011	STAe DRC 0329 (11984865)	



DENT AND BUCKLE CHART INDEX

TEC/05-003.6

REVISION 2

19 JUL 2012

→ Part I - GENERAL

AC type Boeing B757-200			MSN MSN 25622		Registration OO-TFA			Date 26 November 2015 59969,22 T.T. / 16679 T.C.				
Chart Ref.	Date Raised	Logged on Document	Damage location	Description of Damage	Area and depth of Damage	Allowable law	Classification	Limitation	Status	Date Closed	Logged on Document	Remarks
74	7/12/2011	STaE DRC 0330 (11984866)	STA 490 STR 23R TO 24R	Dent	1.0x0.014" A/Y=71	SRM 53-00-01 AD1	Minor Cat A	None	Closed	7/12/2011	STaE DRC 0330 (11984866)	
75	7/12/2011	STaE DRC 0331 (11984867)	STA 494 STR 23R TO 24R	Dent	0.8x0.008" A/Y=100	SRM 53-00-01 AD1	Minor Cat A	None	Closed	7/12/2011	STaE DRC 0331 (11984867)	
76	9/12/2011	STaE DRC 0346 (11985221)	STA 345 STR 23R TO 24R	Dent	0.5x0.004" A/Y=125	SRM 53-00-01 AD1	Minor Cat A	None	Closed	12/12/2011	STaE DRC 0346 (11985221)	
77	9/12/2011	STaE DRC 0347 (11985223)	STA 440 TO460 STR 23R TO 24R	Dent	0.8x0.006" A/Y=133	SRM 53-00-01 AD1	Minor Cat A	None	Closed	12/12/2011	STaE DRC 0347 (11985223)	
78	9/12/2011	STaE DRC 0348 (11985224)	STA 560 TO580 STR 23R	Dent	1x0.017" A/Y=58	SRM 53-00-01 AD1	Minor Cat A	None	Closed	12/12/2011	STaE DRC 0348 (11985224)	
79	9/12/2011	STaE DRC 0349 (11985225)	STA 560 TO 580 STR-24R TO 25R	Scratch	0.5x0.004" A/Y=125	SRM 53-00-01 AD1	Minor Cat A	None	Closed	12/12/2011	STaE DRC 0349 (11985225)	Replaced by repair 123
80	9/12/2011	STaE DRC 0350 (11985226)	STA 560 TO 580 STR 25R	Dent	0.75x0.008" A/Y=93	SRM 53-00-01 AD1	Minor Cat A	None	Closed	12/12/2011	STaE DRC 0350 (11985226)	
81	9/12/2011	STaE DRC 0351 (11985227)	STA 623 STR 19R TO 20R	Dent	0.4x0.005" A/Y=80	SRM 53-00-01 AD1	Minor Cat A	None	Closed	12/12/2011	STaE DRC 0351 (11985227)	
82	9/12/2011	STaE DRC 0352 (11985228)	STA 692 STR 26R TO 27R	Dent	0.5x0.006" A/Y=83	SRM 53-00-01 AD1	Minor Cat A	None	Closed	12/12/2011	STaE DRC 0352 (11985228)	
83	9/12/2011	STaE DRC 0353 (11985229)	STA 1594 STR 28R TO 29R	Dent	0.5x0.002" A/Y=250	SRM 53-00-01 AD1	Minor Cat A	None	Closed	12/12/2011	STaE DRC 0353 (11985229)	
84	9/12/2011	STaE DRC 0354 (11985230)	STA 1598 STR 25L TO STR26L	Dent	0.7x0.003" A/Y=233	SRM 53-00-01 AD1	Minor Cat A	None	Closed	12/12/2011	STaE DRC 0354 (11985230)	
85	9/12/2011	STaE DRC 0355 (11985231)	STA 677, STR27L TO 28L	Dent	0.8x0.006" A/Y=133	SRM 53-00-01 AD1	Minor Cat A	None	Closed	12/12/2011	STaE DRC 0355 (11985231)	
86	9/12/2011	STaE DRC 0356 (11985232)	STA 583 STR 26L TO 27L	Dent	0.75x0.004" A/Y=187	SRM 53-00-01 AD1	Minor Cat A	None	Closed	12/12/2011	STaE DRC 0356 (11985232)	
87	9/12/2011	STaE DRC 0357 (11985233)	STA 588 STR 26L TO 27L	Dent	0.75x0.004" A/Y=187	SRM 53-00-01 AD1	Minor Cat A	None	Closed	12/12/2011	STaE DRC 0357 (11985233)	
88	9/12/2011	STaE DRC 0358 (11985234)	STA 543 STR 26L TO 27L	Dent	1.0x0.005" A/Y=200	SRM 53-00-01 AD1	Minor Cat A	None	Closed	12/12/2011	STaE DRC 0358 (11985234)	
89	9/12/2011	STaE DRC 0359 (11985235)	STA 503 STR26L TO 27L	Dent	0.5x0.003" A/Y=166	SRM 53-00-01 AD1	Minor Cat A	None	Closed	12/12/2011	STaE DRC 0359 (11985235)	
90	9/12/2011	STaE DRC 0360 (11985236)	STA 490 STR26L TO STR27L	Dent	0.7x0.004" A/Y=175	SRM 53-00-01 AD1	Minor Cat A	None	Closed	12/12/2011	STaE DRC 0360 (11985236)	
91	9/12/2011	STaE DRC 0361 (11985237)	AT STA 490 STR 29 TO BL0	Dent	0.7x0.006" A/Y=116	SRM 53-00-01 AD1	Minor Cat A	None	Closed	12/12/2011	STaE DRC 0361 (11985237)	
92	11/12/2011	STaE DRC 0364 (11985404)	STA 1490 STR 23L TO STR24L	Dent	1.75x0.007" A/Y=250	SRM 53-00-01 AD1	Minor Cat A	None	Closed	12/12/2011	STaE DRC 0364 (11985404)	
93	11/12/2011	STaE DRC 0365 (11985405)	STA 1718 STR 18L TO STR19L	Dent	1.00x0.009" A/Y=111	SRM 53-00-01 AD1	Minor Cat A	None	Closed	12/12/2011	STaE DRC 0365 (11985405)	
94	11/12/2011	STaE DRC 0366 (11985407)	STA 1719 STR 18L TO STR19L	Dent	1.75x0.010" A/Y=175	SRM 53-00-01 AD1	Minor Cat A	None	Closed	12/12/2011	STaE DRC 0366 (11985407)	
95	11/12/2011	STaE DRC 0367 (11985408)	STA 1738 STR 22R TO STR23R	Dent	0.75x0.005" A/Y=150	SRM 53-00-01 AD1	Minor Cat A	None	Closed	12/12/2011	STaE DRC 0367 (11985408)	



DENT AND BUCKLE CHART INDEX

TEC/05-003.6

REVISION 2

19 JUL 2012

→ Part I - GENERAL

AC type Boeing B757-200			MSN MSN 25622		Registration OO-TFA			Date 26 November 2015 59969,22 T.T. / 16679 T.C.				
Chart Ref.	Date Raised	Logged on Document	Damage location	Description of Damage	Area and depth of Damage	Allowable law	Classification	Limitation	Status	Date Closed	Logged on Document	Remarks
96	11/12/2011	ST Ae DRC 0369 (11985411)	APU Door Frame 4-5, 2" up from Door Joint RH	Dent	1.75x0.045" A/Y=38	SRM 52-40-01 AD5	Minor Cat A	None	Closed	12/12/2011	ST Ae DRC 0369 (11985411)	
97	11/12/2011	ST Ae DRC 0370 (11985412)	APU Door Dent Frame 6-7, 2" up from Lower Longeron RH	4xDents	0.75x0.005" A/Y=150 0.5x0.005" A/Y=100 0.5x0.007" A/Y=71 0.5x0.005" A/Y=100	SRM 52-40-01 AD5	Minor Cat A	None	Closed	12/12/2011	ST Ae DRC 0370 (11985412)	
98	11/12/2011	ST Ae DRC 0371 (11985413)	APU Door 6" up from Lower Longeron RH	4xDent	0.5x0.003" A/Y=116 0.5x0.006" A/Y=83 0.5x0.005" A/Y=100 0.75x0.005" A/Y=150	SRM 52-40-01 AD5	Minor Cat A	None	Closed	12/12/2011	ST Ae DRC 0371 (11985413)	
99	11/12/2011	ST Ae DRC 0372 (11985415)	APU Door Frames 8-9, 6" up from RH lower Longeron Below Drain RH	2xDents	0.75x0.004" A/Y=187 1.00x0.006" A/Y=166	SRM 52-40-01 AD5	Minor Cat A	None	Closed	12/12/2011	ST Ae DRC 0372 (11985415)	
100	11/12/2011	ST Ae DRC 0373 (11985416)	APU Door Adjacent #4 RH Latch	Dent	0.75x0.004" A/Y=187	SRM 52-40-01 AD5	Minor Cat A	None	Closed	12/12/2011	ST Ae DRC 0373 (11985416)	
101	11/12/2011	ST Ae DRC 0374 (11985418)	APU Door Frame 7-8L 12" up from Lower Longeron	Dent	1.00x0.005" A/Y=200	SRM 52-40-01 AD5	Minor Cat A	None	Closed	12/12/2011	ST Ae DRC 0374 (11985418)	
102	11/12/2011	ST Ae DRC 0368 (11985409)	STA 430 STR 16L TO STR17L	Buckle	1.75x0.015" A/Y=116	SRM 53-00-01 AD1	Minor Cat A	None	Closed	12/12/2011	ST Ae DRC 0368 (11985409)	
103	11/12/2011	ST Ae DRC 0375 (11985419)	#2 Eng CNA 3 O'CLOCK POS'N, 18" FROM AFT EDGE (on lip bond panel)	Dent	0.75x0.010" A/Y=75	SRM 54-40-01	Minor Cat A	None	Closed	12/12/2011	ST Ae DRC 0375 (11985419)	
104	11/12/2011	ST Ae DRC 0376 (11985420)	AFT Cargo Door Fwd lower corner Dent	2xDents	1.75x0.010" A/Y=175 1.75x0.010" A/Y=175	SRM 52-30-01 AD1	Minor Cat A	None	Closed	12/12/2011	ST Ae DRC 0376 (11985420)	
105	12/12/2011	ST Ae DRC 0377 (11985496)	FWD Cargo Door Approx STA 600; 6" from Door lower edge	Dent	0.75x0.010" A/Y=75	SRM 52-30-01 AD1	Minor Cat A	None	Closed	12/12/2011	ST Ae DRC 0377 (11985496)	
106	12/12/2011	ST Ae DRC 0378 (11985498)	FWD Cargo Door Approx STA 590 20" from Door lower edge	Dent	1.00x0.010" A/Y=100	SRM 52-30-01 AD1	Minor Cat A	None	Closed	12/12/2011	ST Ae DRC 0378 (11985498)	
107	12/12/2011	ST Ae DRC 0379 (11985591)	RH T/E INB/D MAIN FLAP LOWER SURFACE 3" FROM T/E 2" FROM OUTF/D END	Dent	0.8x0.013" A/Y=53	SRM 57-53-01 AD1	Minor Cat A	None	Closed	12/12/2011	ST Ae DRC 0379 (11985591)	Replaced by repair 113 (contour restoration)
108	22/12/2012	ST Ae DRC 0392 (11987500)	RH Horizontal L/E skin upper surface STA 172; 4,5" from T/E	Dent	3" x 0.250" x 0.005" A/Y= 50	SRM 55-10-01 AD1	Minor Cat A	None	Closed	09/02/2012	ST Ae DRC 0392 (11987500)	Dent on replacement L/E
109	23/03/2012	SRP 001070 item 08	STA 380; 15" above WL 208.1	Dent	1.2" x 0.150" x 0.005" A/Y= 30	SRM 53-00-01 AD1	Minor Cat A	None	Closed	23/03/2012	SRP 001070 item 08	



DENT AND BUCKLE CHART INDEX

TEC/05-003.6

REVISION 2

19 JUL 2012

→ Part I - GENERAL

AC type Boeing B757-200			MSN MSN 25622		Registration OO-TFA			Date 26 November 2015 59969,22 T.T. / 16679 T.C.				
Chart Ref.	Date Raised	Logged on Document	Damage location	Description of Damage	Area and depth of Damage	Allowable law	Classification	Limitation	Status	Date Closed	Logged on Document	Remarks
110	23/03/2012	SRP 001071 item 09	LH inboard T/E main flap upper surface; 15.75" from outboard edge, 15.75" from T/E	Dent	1.7" x 0.35" x 0.005" A/Y= 70	SRM 57-53-01 AD1	Minor Cat A	None	Closed	23/03/2012	SRP 001071 item 09	
111	23/03/2012	SRP 001067 item 02	Left APU door skin 6.3" from aft edge; 2.3" from inboard edge	Dent	0.400" x 0.006" A/Y= 66	SRM 52-40-01 AD5	Minor Cat A	None	Closed	23/03/2012	SRP 001067 item 02	
112	23/03/2012	SRP 001067 item 02	Left APU door skin 6.3" from aft edge; 3.15" from inboard edge	Dent	0.400" x 0.010" A/Y= 40	SRM 52-40-01 AD5	Minor Cat A	None	Closed	23/03/2012	SRP 001067 item 02	
113	23/03/2012	SRP 001072 item 14	RH inboard T/E aft flap upper surface; 1.6" from outboard edge, 6.3" from T/E	Dent	0.400" x 0.004"	SRM 57-53-01 AD1	Minor Cat C	Inspect at every A-check; repair next C-check	Closed	26/11/2013	STAE DRC 0026- (42144761)	Replaced by repair 151
114	23/03/2012	SRP 001071 item 10	RH inboard T/E main flap upper surface; 17.7" from outboard edge, 22.8" from T/E	Dent	0.500" x 0.016 A/Y= 31	SRM 57-53-01 AD1	Minor Cat A	None	Closed	23/03/2012	SRP 001071 item 10	
115	23/03/2012	SRP 001071 item 10	RH inboard T/E main flap upper surface; 40.5" from outboard edge, 14.76" from T/E	Dent	0.400" x 0.005 A/Y= 80	SRM 57-53-01 AD1	Minor Cat A	None	Closed	23/03/2012	SRP 001071 item 10	
116	23/03/2012	SRP 001068 item 03	RH inboard T/E Main flap lower surface	Dent	0.675" x 0.011" A/Y= 61	SRM 57-53-01 AD1	Minor Cat A	None	Closed	23/03/2012	SRP 001068 item 03	
117	23/03/2012	SRP 001068 item 04	RH inboard T/E Main flap lower surface	Dent	0.325" x 0.002" A/Y= 162	SRM 57-53-01 AD1	Minor Cat A	None	Closed	23/03/2012	SRP 001068 item 04	
118	23/03/2012	SRP 001068 item 04	RH inboard T/E Main flap lower surface	Dent	0.325" x 0.002" A/Y= 162	SRM 57-53-01 AD1	Minor Cat A	None	Closed	23/03/2012	SRP 001068 item 04	
119	23/03/2012	SRP 001069 item 06	RH inboard T/E Main flap lower surface	Dent	0.325" x 0.003" A/Y= 116	SRM 57-53-01 AD1	Minor Cat A	None	Closed	23/03/2012	SRP 001069 item 06	
120	23/03/2012	SRP 001069 item 05	RH inboard T/E Main flap lower surface	Dent	0.350" x 0.002" A/Y= 145	SRM 57-53-01 AD1	Minor Cat A	None	Closed	23/03/2012	SRP 001069 item 05	
121	23/03/2012	SRP 001070 item 07	RH inboard T/E Main flap lower surface	Dent	1" x 0.600" x 0.020" A/Y= 30	SRM 57-53-01 AD1	Minor Cat A	None	Closed	23/03/2012	SRP 001070 item 07	
122	23/03/2012	SRP 001067 item 01	Aft lower cargo door 25.5" from forward edge; 1.75" from lower edge	Dent	1.1" x 0.800" x 0.022" A/Y= 36	SRM 52-30-01 AD1	Minor Cat A	None	Closed	23/03/2012	SRP 001067 item 01	
123	23/03/2012	SRP 001067 item 01	Aft lower cargo door 42.5" from forward edge; 1.75" from lower edge	Dent	.3" x 0.800" x 0.008" A/Y= 10	SRM 52-30-01 AD1	Minor Cat A	None	Closed	23/03/2012	SRP 001067 item 01	



DENT AND BUCKLE CHART INDEX

TEC/05-003.6

REVISION 2

19 JUL 2012

→ Part I - GENERAL

AC type Boeing B757-200			MSN MSN 25622		Registration OO-TFA			Date 26 November 2015 59969,22 T.T. / 16679 T.C.				
Chart Ref.	Date Raised	Logged on Document	Damage location	Description of Damage	Area and depth of Damage	Allowable law	Classification	Limitation	Status	Date Closed	Logged on Document	Remarks
124	23/03/2012	SRP 001073 item 14	Fwd lower cargo door 52.4" from forward edge, 1.3" from lower edge	Buckle	1.1" x 0.250" x 0.008" A/Y= 31	SRM 52-30-01 AD1	Minor Cat A	None	Closed	23/03/2012	SRP 001073 item 14	
125	23/03/2012	SRP 001073 item 13	Fwd lower cargo door 49.2" from forward edge, 4" from lower edge	Dent	0.300" x 0.005" A/Y=166	SRM 52-30-01 AD1	Minor Cat A	None	Closed	23/03/2012	SRP 001073 item 13	
126	23/03/2012	SRP 001073 item 14	Fwd lower cargo door 52" from forward edge, 2" from lower edge	Buckle	0.5" x 0.250" x 0.008" A/Y= 31	SRM 52-30-01 AD1	Minor Cat A	None	Closed	23/03/2012	SRP 001073 item 14	
127	23/03/2012	SRP 001072 item 12	Engine #2, outbd reverser 40" from pylon, 20" from forward edge	Dent	0.825" x 0.005" A/Y= 165	SRM 54-30-01 AD1	Minor Cat A	None	Closed	23/03/2012	SRP 001072 item 12	
128	13/11/2013	STAE DRC 0146 (12115307)	STA 544 STR-24R to STR-25R	Dent	1.5" x 0.024" A/Y= 62.5	SRM 53-00-01 AD1	Minor Cat A	None	Closed	18/11/2013	STAE DRC 0146 (12115307)	
129	13/11/2013	STAE DRC 0080 (12115001)	STA 1670 STR-24L to STR-25L	Dent	1.0" x 0.026" A/Y = 38.5	SRM 53-00-01 AD1	Minor Cat A	None	Closed	18/11/2013	STAE DRC 0080 (12115001)	
130	13/11/2013	STAE DRC 0081 (12115002)	STA 1668 STR-27L to STR-28L	Dent	1.0" x 0.019" A/Y = 52.6	SRM 53-00-01 AD1	Minor Cat A	None	Closed	18/11/2013	STAE DRC 0081 (12115002)	
131	13/11/2013	STAE DRC 0082 (12115003)	STA 672 STR-20R to STR-21R	Dent	0.2" x 0.004" A/Y= 50	SRM 53-00-01 AD1	Minor Cat A	None	Closed	18/11/2013	STAE DRC 0082 (12115003)	Re-assessed per SN001106 (Apr 2014)
132	13/11/2013	STAE DRC 0082 (12115003)	STA 678 STR-20R to STR-21R	Blend-out	1" x 0.5"	SRM 53-00-01 AD1	Minor Cat A	None	Closed	18/04/2014	SN 001106 (SN 000014 item 226)	Re-assessed per SN001106 (Apr 2014)
133	13/11/2013	STAE DRC 0040 (12114852)	E/E bay door 4" from hinge edge, 3" from aft edge	Dent	1.6" x 0.025" A/Y = 64	SRM 52-40-01 AD2	Minor Cat A	None	Closed	13/11/2013	STAE DRC 0040 (12114852)	
134	05/06/2014	SRP 003735	Eng #1 exhaust plug inner surface at 7 o'clock	Dent	Diameter 1.0" depth 0.032"	AMM 78-11-04/601	Minor Cat A	None	Closed	05/06/2014	SRP 003735	
135	03/07/2014	SRP 003800	Eng #2 intake (outside lipskin), LH side at 9 o'clock	Dent	L: 1.06" W: 0.275" Depth: 0.06"	SRM 54-10-01 AD2	Minor Cat A	None	Closed	03/07/2014	SRP 003800	
136	14/04/2014	6700105775 TRA N°TFA-005	LH outer wing rear spar upper chord between WS 95 & WS 177.5	Blend-out	L: 2.36" W: 0.98"	SRM 57-20-10 AD1	Minor Cat A	None	Closed	18/04/2014	6700105775 TRA N°TFA-005	
137	05/09/2014	SRP 003948	STA 333.45-350 STR 22L to 23L	Dent	1.5" x 0.008" A/Y = 192	SRM 53-00-01 AD1	Minor Cat A	None	Closed	05/09/2014	SRP 003948	



TNT Airways S.A.

DENT AND BUCKLE CHART INDEX

TEC/05-003.6

REVISION 2

19 JUL 2012

→ Part I - GENERAL

AC type			MSN		Registration			Date				
Boeing B757-200			MSN 25622		OO-TFA			26 November 2015 59969,22 T.T. / 16679 T.C.				
Chart Ref.	Date Raised	Logged on Document	Damage location	Description of Damage	Area and depth of Damage	Allowable law	Classification	Limitation	Status	Date Closed	Logged on Document	Remarks
138	20/11/2014	SRP 004126	Eng #2 CNA, 3 o'clock position, 12,5" from aft edge (on lipbond panel)	Dent	Diameter 0.5" depth 0.006"	SRM 54-40-01 AD1	Minor Cat A	None	Closed	20/11/2014	SRP 004126	
139	16/12/2014	SRP 004166	LH Wing L/E slat N°5, trailing edge wedge cove skin 21,8" from outb edge of slat, 4,7" from cove skin edge	Dent	Diameter 0.254" depth 0.008" A/Y = 31,75	SRM 57-43-01 AD1	Minor Cat A	None	Closed	16/12/2014	SRP 004166	
140	20/11/2014	SRP 004126	LH inboard T/E main flap lower surface; 1) 50" from inboard edge, 15.75" from flap L/E 2) 51,2" from inboard edge, 18.5" from flap L/E	2xDents	0.150" x 0.002" A/Y = 75 0.150" x 0.002" A/Y = 75	SRM 57-53-01 AD1	Minor Cat A	None	Closed	20/11/2014	SRP 004126	
141	20/11/2014	SRP 004127	RH outboard T/E aft flap lower surface; 98,4" from inboard edge, 7,5" from T/E	2xDents	0.400" x 0.002" A/Y = 200 0.400" x 0.002" A/Y = 200	SRM 57-53-01 AD1	Minor Cat A	None	Closed	20/11/2014	SRP 004127	
142	20/11/2014	SRP 004127	STA 1717-1738, between STR27L and STR28L	Buckle	0.669" x 0.01" A/Y = 66,9	SRM 53-80-00 AD 1 SRM 53-00-01 AD 1	Minor Cat A	None	Closed	20/11/2014	SRP 004127	
143	24/11/2014	SRP 004133	LH inboard T/E main flap lower surface; 13,6" from outboard edge, 34,25" from flap T/E	Dent	0.750" x 0.002" A/Y=375	SRM 57-53-01 AD1	Minor Cat A	None	Closed	24/11/2014	SRP 004133	
144	24/11/2014	SRP 004134	Door R4 scuff plate 1) plate edge 2) inboard side	2xDents		SBI-TNB-12-0018		None	Closed	24/11/2014	SRP 004134	
145	04/03/2015	SRP 004314	Aft lower cargo door, fwd lower corner. 80 mm from bottom edge of door, situated at the fwd edge of door	Dent	0.710" x 0.020" A/Y = 35,5	SRM 52-30-01 AD1	Minor Cat A	None	Closed	4/03/2015	SRP 004314	
146	04/03/2015	SRP 004314	Aft lower cargo door, fwd lower corner. 90 mm from bottom edge of door, situated at the fwd edge of door	Dent	1.750" x 0.089" A/Y = 19,66	SRM 52-30-01 AD1	Minor Cat C	Inspect every 300 CY, repair next C check	open			Permanent repair per SRM 52-30-01 required DB-TFA-146



DENT AND BUCKLE CHART INDEX

TEC/05-003.6

REVISION 2

19 JUL 2012

→ Part I - GENERAL

AC type Boeing B757-200			MSN MSN 25622		Registration OO-TFA			Date 26 November 2015 59969,22 T.T. / 16679 T.C.				
Chart Ref.	Date Raised	Logged on Document	Damage location	Description of Damage	Area and depth of Damage	Allowable law	Classification	Limitation	Status	Date Closed	Logged on Document	Remarks
147	05/03/2015	SRP 004316	Aft lower cargo door cutout BS 1383 S25R-S26R	Nick	0.03" x 0.063"	SRM 53-60-01 AD 1 SRM 53-00-01 AD1	Minor Cat A	None	Closed	05/03/2015	SRP 004316	
148	10/03/2015	SRP 004326	RH Side Fuselage BS 1520 S-23R	Scratch	L: 1.75" D: 0.01"	SRM 53-60-01 AD 1 SRM 53-00-01 AD1	Minor Cat A	None	Closed	10/03/2015	SRP 004326	
149	01/04/2015	SRP 004363	Aft lower cargo door cutout BS 1384 S22R-S23R (36,6" from scuff plate)	Scratch	L: 0.393" D: 0.003"	SRM 53-60-01 AD 1 SRM 53-00-01 AD1	Minor Cat A	None	Closed	1/04/2015	SRP 004363	
150	01/04/2015	SRP 004364	STA 1380 S-23R	Scratch	L: 0.0433" D: 0.039"	SRM 53-60-01 AD 1 SRM 53-00-01 AD1	Minor Cat A	None	Closed	1/04/2015	SRP 004364	
151	18/08/2015	006101408667 FR-14	STA 1600-1620 S-15L & S-16L	Dent	2" x 0,9" x 0,008" A/Y = 112	SRM 53-60-01 AD 1 SRM 53-00-01 AD1	Minor Cat A	None	Closed	19/08/2015	006101408667 TFA-0014	
152	18/08/2015	006101408667 FR-15	#2 Engine nozzle fairing 14 o'clock	Dent	1" x 0,020"	SRM 54-40-01 AD1	Minor Cat A	None	Closed	18/08/2015	006101408667 TFA-0015	
153	18/08/2015	006101408667 FR-16	STA 1681-1701 S-14L & S-15L	Blend-out		SRM 53-60-01 AD 1 SRM 53-00-01 AD1 SRM 53-00-01 AD2	Minor Cat A	None	Closed	19/08/2015	006101408667 TFA-0016	
154	18/08/2015	006101408667 FR-18	STA 580-600 S-24L & S-25L	2xBuckle	0,6" x 0,6" x 0,004" 0,6" x 0,6" x 0,004" A/Y = 150	SRM 53-30-01 AD 1 SRM 53-00-01 AD1	Minor Cat A	None	Closed	19/08/2015	006101408667 TFA-0018	
155	16/04/2015	SN 00188	#1 engine, inboard fan cowl (inside)			SRM 54-21-01 AD1	Minor Cat A	None	Closed	25/04/2015	SN 00188	
156	16/04/2015	SN 00188	#1 engine, outboard fan cowl (inside)			SRM 54-21-01 AD1	Minor Cat A	None	Closed	25/04/2015	SN 00188	
157												
158												
159												
160												

DENT AND BUCKLE CHART DRAWINGS

TEC/05-003.6

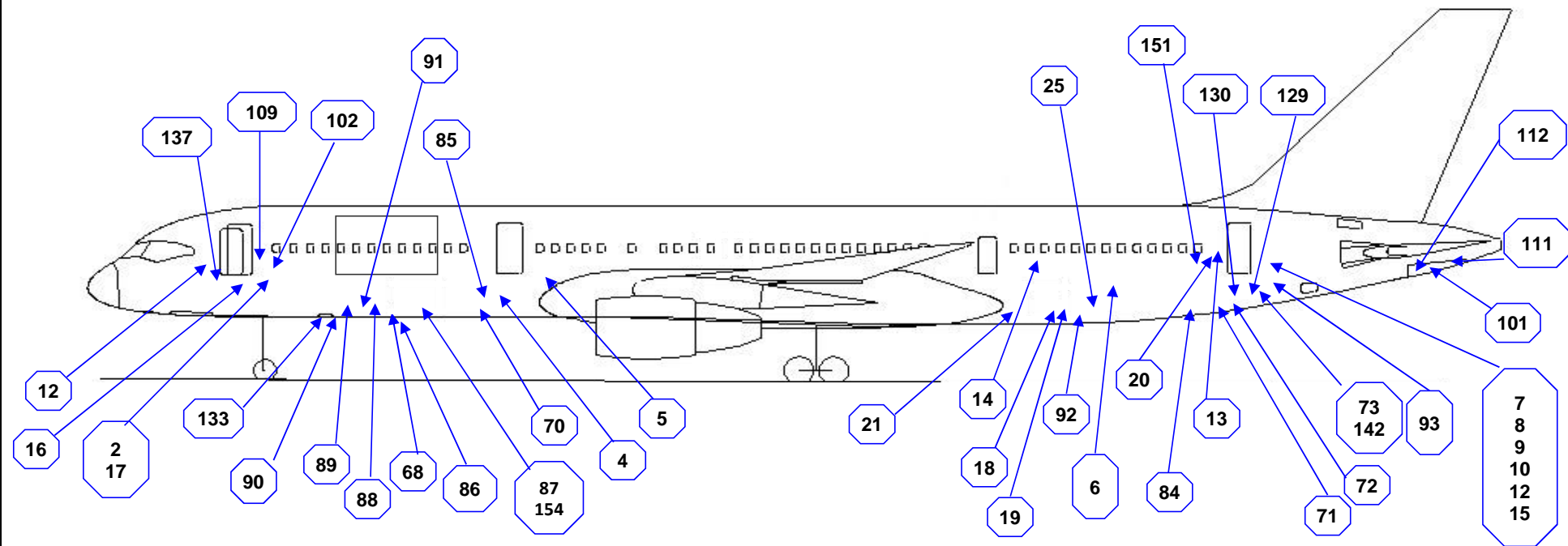
REVISION 2

19 JUL 2012

→ **Part I - GENERAL**

AC type	MSN	Registration	Date
Boeing B757-200	MSN 25622	OO-TFA	26 November 2015 59969,22 T.T. / 16679 T.C.

Left Side View



DENT AND BUCKLE CHART DRAWINGS

TEC/05-003.6

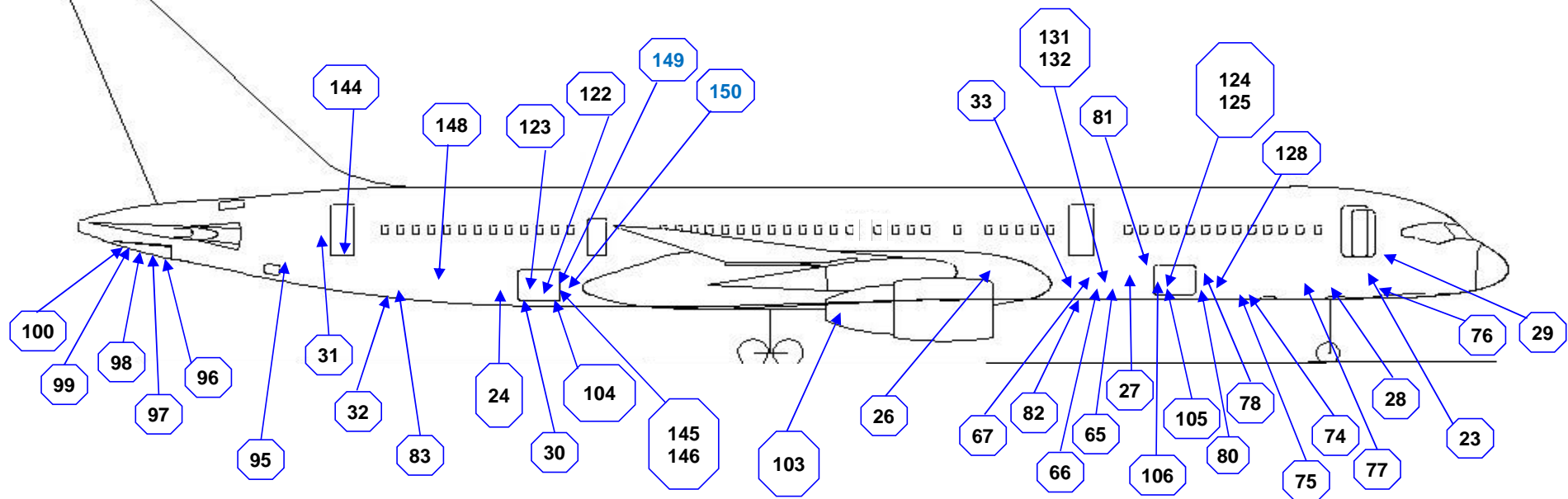
REVISION 2

19 JUL 2012

→ Part I - GENERAL

AC type	MSN	Registration	Date
Boeing B757-200	MSN 25622	OO-TFA	26 November 2015 59969,22 T.T. / 16679 T.C.

Right Side View



DENT AND BUCKLE CHART DRAWINGS

TEC/05-003.6

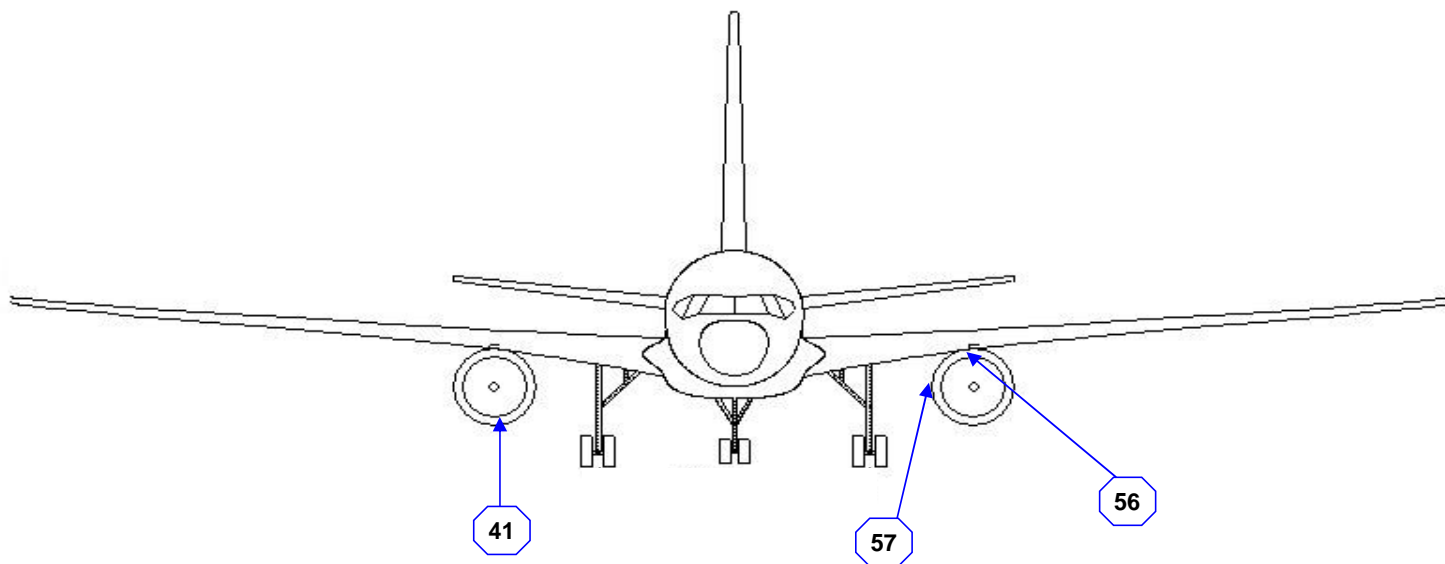
REVISION 2

19 JUL 2012

→ Part I - GENERAL

AC type	MSN	Registration	Date
Boeing B757-200	MSN 25622	OO-TFA	26 November 2015 59969,22 T.T. / 16679 T.C.

Front View



DENT AND BUCKLE CHART DRAWINGS

TEC/05-003.6

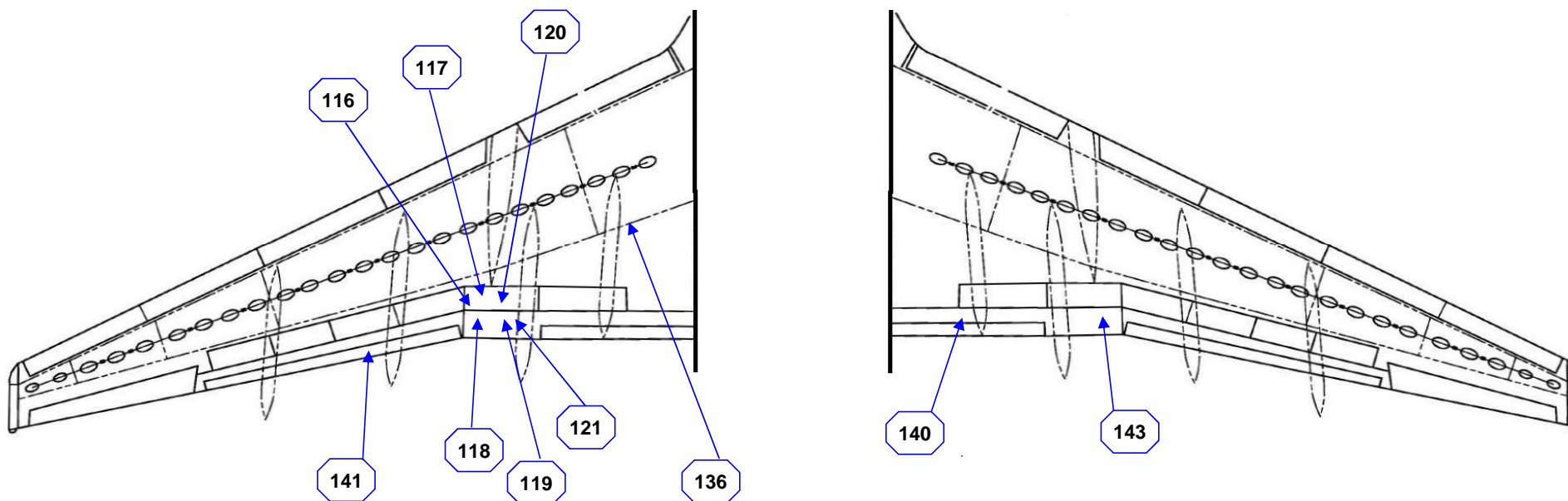
REVISION 2

19 JUL 2012

→ Part I - GENERAL

AC type	MSN	Registration	Date
Boeing B757-200	MSN 25622	OO-TFA	26 November 2015 59969,22 T.T. / 16679 T.C.

Wing Surface Bottom View



DENT AND BUCKLE CHART DRAWINGS

TEC/05-003.6

REVISION 2

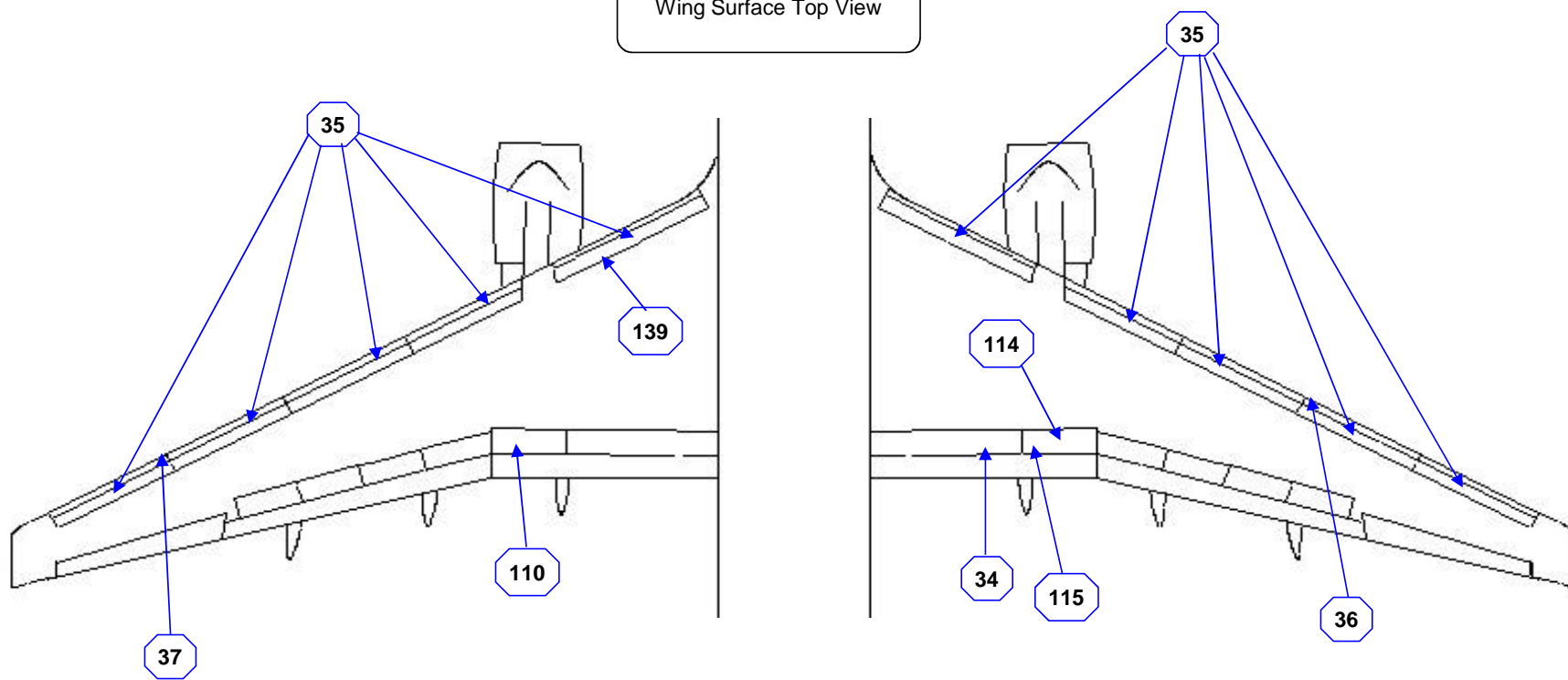
19 JUL 2012

→ Part I - GENERAL

AC type	MSN	Registration	Date
Boeing B757-200	MSN 25622	OO-TFA	26 November 2015 59969,22 T.T. / 16679 T.C.

25/02/2013 IO-TFA-3 55828 item 0000-0011

Wing Surface Top View



DENT AND BUCKLE CHART DRAWINGS

TEC/05-003.6

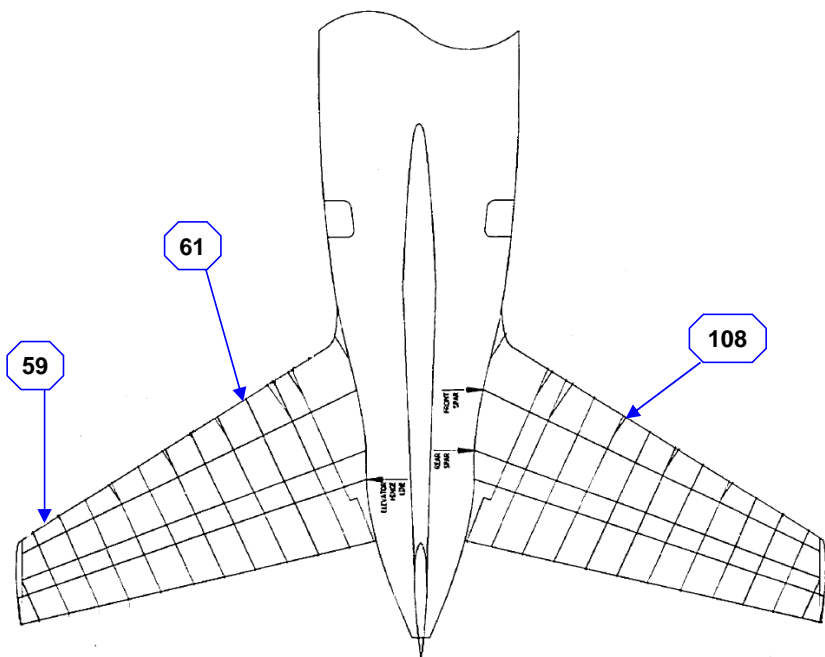
REVISION 2

19 JUL 2012

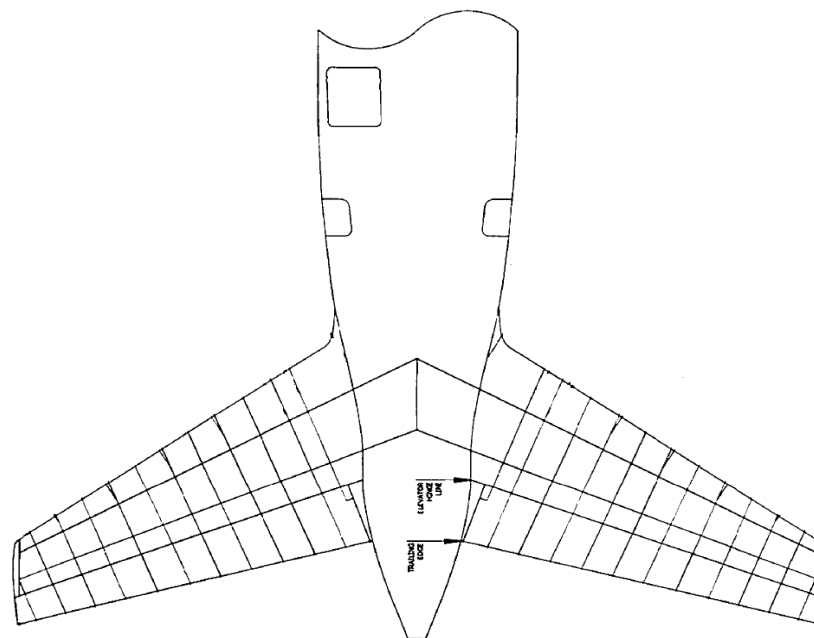
→ Part I - GENERAL

AC type	MSN	Registration	Date
Boeing B757-200	MSN 25622	OO-TFA	26 November 2015 59969,22 T.T. / 16679 T.C.

Horizontal Stab.Top View



Horizontal Stab.Bottom View



DENT AND BUCKLE CHART DRAWINGS

TEC/05-003.6

REVISION 2

19 JUL 2012

→ Part I - GENERAL

AC type Boeing B757-200	MSN MSN 25622	Registration OO-TFA	Date 26 November 2015 59969,22 T.T. / 16679 T.C.
-----------------------------------	-------------------------	-------------------------------	--

