



DESCRIPTION

The A4004 series product is a high integration solution for lithium-ion/polymer battery protection. A4004 contains advanced power MOSFET, high-accuracy voltage detection circuits and delay circuits. A4004 is put into a small package and only one external component makes it an ideal solution in limited space of battery pack. A4004 has all the protection functions required in the battery application including overcharging, over-discharging, overcurrent and load short circuiting protection etc. The accurate safe and full utilization charging. The low standby current drains little current from the cell while in storage. The device is only targeted for digital cellular phones, but also for any other Li-ion and Li-Poly battery-powered information appliance requiring long-term battery life.

The A4004 is available in DFN6(2x3) package.

ORDERING INFORMATION

Package Type	Part Number	
DFN6(2x3) SPQ: 4,000pcs/Reel	J6	A4004J6R
		A4004J6VR
Note	V: Halogen free Package R: Tape & Reel	
AiT provides all RoHS products		

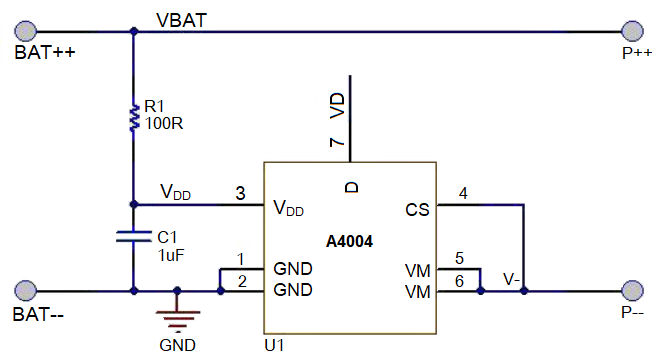
FEATURES

- Protection of Charger Reverse Connection
- Protection of Battery Cell Reverse Connection
- Integrate MOSFET
- Over-temperature Protection
- Two-step Overcurrent Detection:
Over-discharge Current
Load Short Circuiting
- Charger Detection Function
- 0V Battery Charging Function
- High-accuracy Voltage Detection
- Low Current Consumption
- Operation Mode: 2.5uA typ
- Power-down Mode: 0.1uA typ
- Available in DFN6(2x3) package

APPLICATION

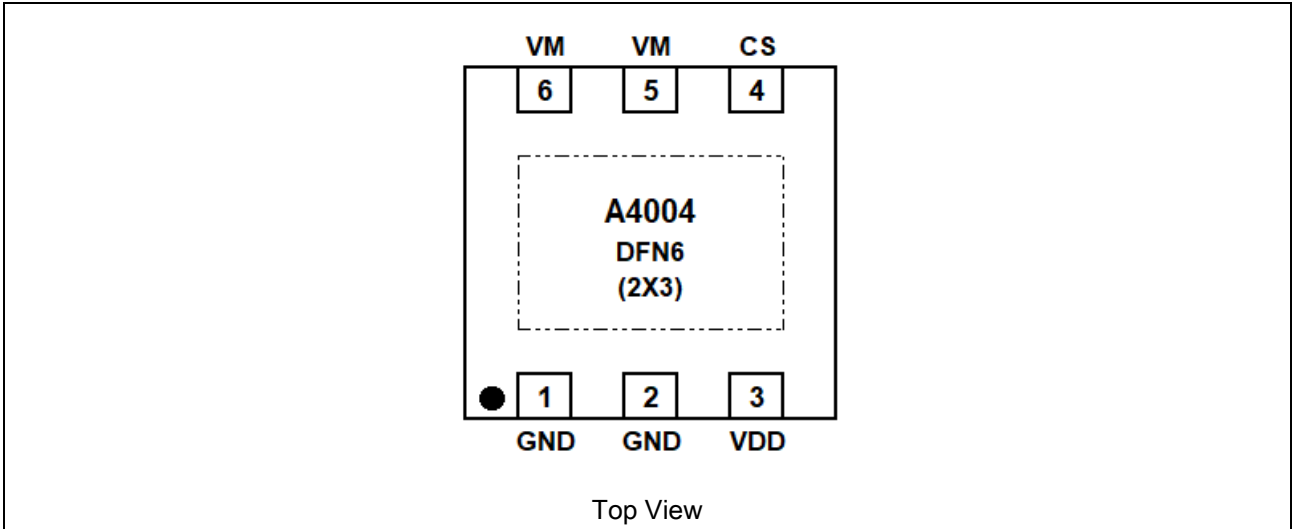
- One-Cell Lithium-ion Battery Pack
- Lithium-Polymer Battery Pack

TYPICAL APPLICATION





PIN DESCRIPTION



Pin #	Symbol	Function
1,2	GND	Ground.
3	V _{DD}	Power supply
4	CS	Current Detection
5,6	VM	Detection pin



ABSOLUTE MAXIMUM RATINGS

T_A= 25°C, unless otherwise noted

V _{DD} , Supply Voltage	12V
V _M , Input Pin Voltage	18V
T _J , Operation Junction Temperature	150°C
T _{STG} , Storage Temperature Range	-55°C ~+125°C
T _{OPR} , Operation Temperature	-40°C ~+80°C

Stress beyond above listed "Absolute Maximum Ratings" may lead permanent damage to the device. These are stress ratings only and operations of the device at these or any other conditions beyond those indicated in the operational sections of the specifications are not implied. Exposure to absolute maximum rating conditions for extended periods may affect device reliability.

THERMAL DATA

Parameter	Symbol	Conditions	Min.	Typ.	Max.	Unit
Thermal Resistance-Junction to Ambient	R _{θJA}		-	-	200	°C/W
Power Dissipation	P _D		-	-	0.8	W



ELECTRICAL CHARACTERISTICS

T_A = 25°C, unless otherwise noted.

Parameter	Symbol	Conditions	Min.	Typ.	Max.	Unit
Detection Voltage						
Overcharge Detection Voltage	V _{CU}		4.395	4.425	4.455	V
Overcharge Release Voltage	V _{CL}		4.05	4.1	4.15	V
Overdischarge Detection Voltage	V _{DL}		2.65	2.7	2.75	V
Overdischarge Release Voltage	V _{DR}		2.9	3.0	3.1	V
Charger Detection Voltage	V _{CHA}		-	-0.12	-	V
Detection Current						
Overdischarge Current Detection	I _{IOV}	V _{DD} =3.5V	6	8	10	A
Load Short-Circuiting Detection	I _{SHORT}	V _{DD} =3.5V	-	50	-	A
Current Consumption						
Current Consumption in Normal Operation	I _{OPE}	V _{DD} =3.5V, V _M =0V	-	2.5	6	μA
Current Consumption in Power Down	I _{PDN}	V _{DD} =2.0V V _M pin floating	-	0.1	1	μA
VM Internal Resistance						
Internal Resistance Between VM and V _{DD}	*R _{VMD}	V _{DD} =3.5V, V _M =1.0V	-	320	-	kΩ
Internal Resistance Between VM and GND	*R _{VMS}	V _{DD} =2.0V, V _M =1.0V	-	100	-	kΩ
FET on Resistance						
Equivalent FET on Resistance	*R _{SS(ON)}	V _{DD} =3.6V I _{VM} =1.0A	14	18	20	mΩ
Over Temperature Protection						
Over Temperature Protection	*T _{SHD+}		-	120	-	°C
Over Temperature Recovery Degree	*T _{SHD-}		-	100	-	°C
Detection Delay Time						
Overcharge Voltage Detection Delay Time	t _{CU}		-	130	180	ms
Overdischarge Voltage Detection Delay Time	t _{DL}		-	40	70	ms
Overdischarge Current Detection Delay Time	*t _{IOV}		-	50	80	ms
Load Short-Circuiting Detection Delay Time	*t _{SHORT}		-	15	20	us

NOTE1: * The parameter is guaranteed by design



DETAILED INFORMATION

Functional Description

The A4004 the voltage and current of a battery and protects it from being damaged due to overcharge voltage, overdischarge voltage, overdischarge current, and short circuit conditions by disconnecting the battery from the load or charger. These functions are required in order to operate the battery cell within specified limits. The device requires only one external capacitor. The MOSFET is integrated and its $R_{SS(ON)}$ is as low as $18m\Omega$ typical

Normal operating mode

If no exception condition is detected, charging and discharging can be carried out freely. This condition is called the normal operating mode.

Overcharge Condition

When the battery voltage becomes higher than the overcharge detection voltage (V_{CU}) during charging under normal condition and the state continues for the overcharge detection delay time (t_{CU}) or longer, the A4004 turns the charging control FET off to stop charging. This condition is called the overcharge condition. The overcharge condition is released in the following two cases:

1. When the battery voltage drops below the overcharge release voltage (V_{CL}), the A4004 turns the charging control FET on and returns to the normal condition.
2. When a load is connected and discharging starts, the A4004 turns the charging control FET on and returns to the normal condition. The release mechanism is as follows: the discharging current flows through an internal parasitic diode of the charging FET immediately after a load is connected and discharging starts, and the VM pin voltage increases about 0.7V(forward voltage of the diode) from the GND pin voltage momentarily the A4004 detects this voltage and releases the overcharge condition. Consequently, in the case that the battery voltage is equal to or lower than the overcharge detection voltage (V_{CU}), the A4004 returns to the normal condition immediately, but in the case the battery voltage is higher than the overcharge detection voltage (V_{CU}), the chip does not return to the normal condition until the battery voltage drops below the overcharge detection voltage (V_{CU}) even if the load is connected. In addition. If the VM pin voltage is equal to or lower than the overcurrent 1 detection voltage when a load is connected and discharging starts, load is connected and discharging starts, the chip does not return to the normal condition

Remark If the battery is charged to a voltage higher than the overcharge detection voltage (V_{CU}) and the battery voltage does not drop below the overcharge detection voltage (V_{CU}) even when a heavy load, which causes an overcurrent, is connected, the overcurrent 1 and overcurrent 2 do not work until the battery voltage drops below the overcharge detection voltage (V_{CU}). Since an actual battery has,



however, an internal impedance of several dozens of $m\Omega$, and the battery voltage drops immediately after a heavy load which causes an overcurrent is connected, the overcurrent 1 and overcurrent 2 work. Detection of load short-circuiting works regardless of the battery voltage.

Overdischarge Condition

When the battery voltage drops below the overdischarge detection voltage (V_{DL}) during discharging under normal condition and it continues for the overdischarge detection delay time (t_{DL}) or longer, the A4004 turns the discharging condition. After the discharging control FET is turned off, the VM pin is pulled up by the R_{VMD} resistor between VM and V_{DD} in A4004. meanwhile when VM is bigger than 1.5V (typ.) (the load short-circuiting detection voltage), the current of the chip reduced to the power-down current (I_{PDN}). This condition is called power-down condition. The VM and V_{DD} pins are shorted by the R_{VMD} resistor in the IC under the overdischarge and power-down conditions. The power-down condition is released when a charger is connected and the potential difference between VM and V_{DD} becomes 1.3V (typ.) or higher (load short-circuiting detection voltage). At this time, the FET is still off. When the battery voltage becomes the overdischarge detection voltage (V_{DL}) or higher (see note), the A4004 turns the FET on and changes to the normal condition from the overdischarge condition.

Remark If the VM pin voltage is no less than the charger detection voltage (V_{CHA}), the battery under overdischarge condition is connected to a charger, the overdischarge condition is released (the discharging control FET is turned on) as usual, provided that the battery voltage reaches the overdischarge release voltage (V_{DU}) or higher.

Overcurrent Condition

When the discharging current becomes equal to or higher than a specified value (the VM pin voltage is equal to or higher than the overcurrent detection voltage) during discharging under normal condition and the state continues for the overcurrent detection delay time or longer, the A4004 turns off the discharging control FET to stop discharging. This condition is called overcurrent condition. (The overcurrent includes overcurrent or load short-circuiting). The VM and GND pins are shorted internally by the R_{VMS} resistor under the overcurrent condition. When a load is connected, the VM pin voltage equals the V_{DD} voltage due to the load. The overcurrent condition returns to the normal condition when the load is released and the impedance between the B+ and B- pins becomes higher than the automatic recoverable impedance. When the load is removed, the VM pin goes back to the GND potential since the VM pin potential is lower than the overcurrent detection voltage (V_{IOV1}), the IC returns to the normal condition.

Abnormal Charge Current Detection

If the VM pin voltage drops below the charger detection voltage (V_{CHA}) during charging under the normal condition and it continues for the overcharge detection delay time (t_{CU}) or longer, the A4004 turns the charging control FET off and stops charging. This action is called abnormal charge current detection. Abnormal charge current detection works when the discharging control FET is on and the VM pin voltage droops below the



charger detection voltage (V_{CHA}). When an abnormal charge current flows into a battery in the overdischarge condition, the A4004 consequently turns the charging control FET off and stops charging after the battery voltage becomes the overdischarge detection voltage and the overcharge detection delay time (t_{CU}) elapses. Abnormal charge current detection is released when the voltage difference between VM pin and GND pin becomes lower than the charger detection voltage (V_{CHA}) by separating the charger. Since the 0V battery charging function has higher priority than the abnormal charge current detection function, abnormal charge current may not be detected by the product with the 0V battery charging function while the battery voltage is low.

Load Short-circuiting Condition

If voltage of VM pin is equal or below short-circuiting protection voltage (V_{SHORT}), the A4004 will stop discharging and battery is disconnected from load. The maximum delay time to switch current off is t_{SHORT} . This status is released when voltage of VM pin is higher than short protection voltage (V_{SHORT}), such as when disconnecting the load.

Delay Circuits

The detection delay time for overdischarge current 2 and load short-circuiting starts when overdischarge current 1 is detected. As soon as overdischarge current 2 or load short-circuiting is detected over detection delay time for overdischarge current 2 or load short-circuiting, the A4004 stops discharging. When battery voltage falls below overdischarge detection voltage due to overdischarge current, the A4004 stop discharging by overdischarge current detection. In this case the recovery of battery voltage is so slow that if battery voltage after overdischarge voltage detection delay time is still lower than overdischarge detection voltage, the A4004 shifts to power-down.

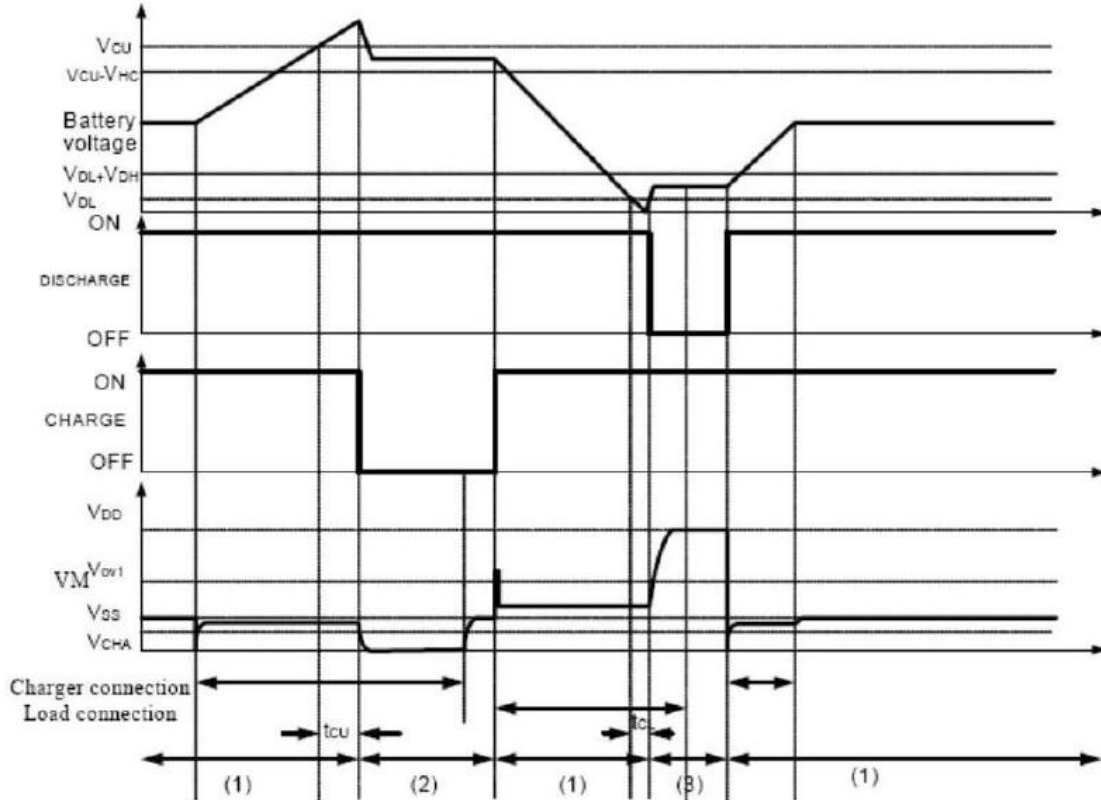
0V Battery Charging Function^{1 2 3}

This function enables the charging of a connected battery whose voltage is 0V by self-discharge. When a charger having 0V battery start charging charger voltage (V_{0CHA}) or higher is connected between B+ and B- pins, the charging control FET gate is fixed to V_{DD} potential. When the voltage between the gate and the source of the charging control FET becomes equal to or higher than the turn-on voltage by the charger voltage, the charging control FET is turned on to start charging. At this time, the discharging control FET is off and the charging current flows through the internal parasitic diode in the discharging control FET. If the battery voltage becomes equal to or higher than the overdischarge release voltage (V_{DU}), the normal condition returns.

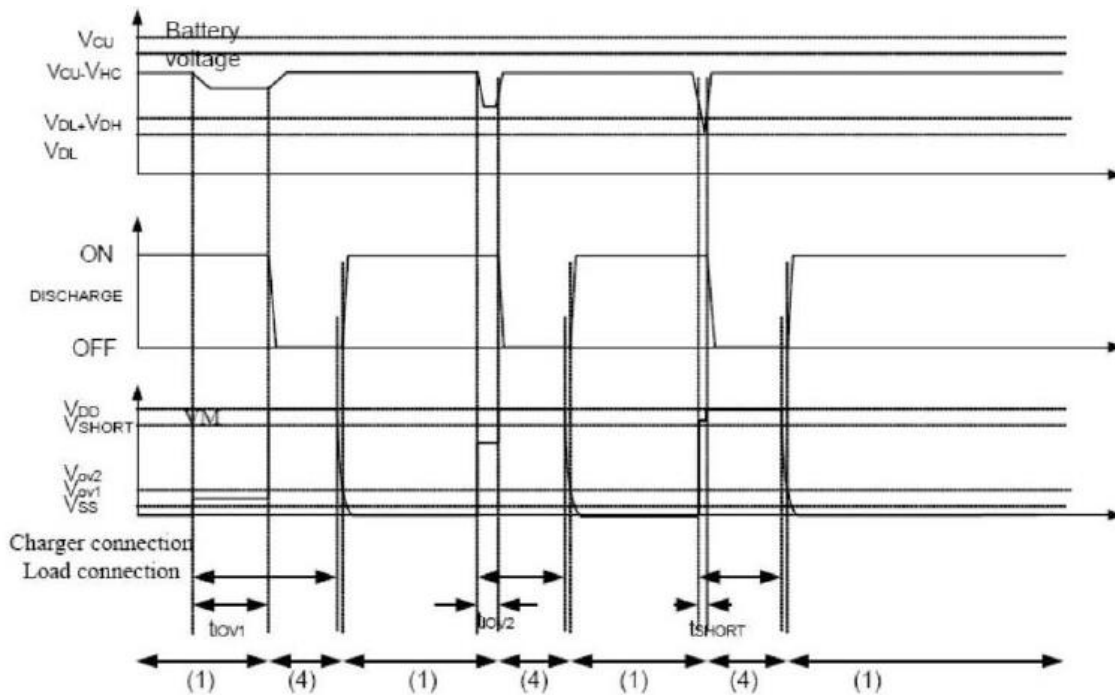


TIMING CHART

Overcharge and overdischarge detection

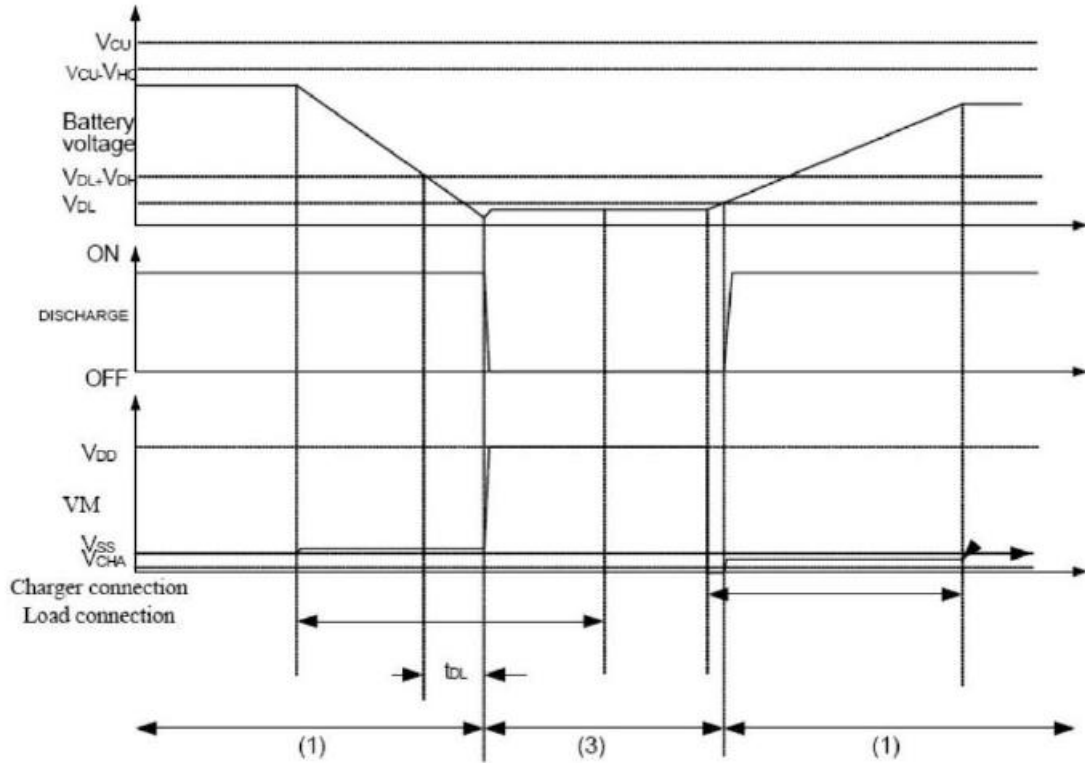


Overdischarge current detection

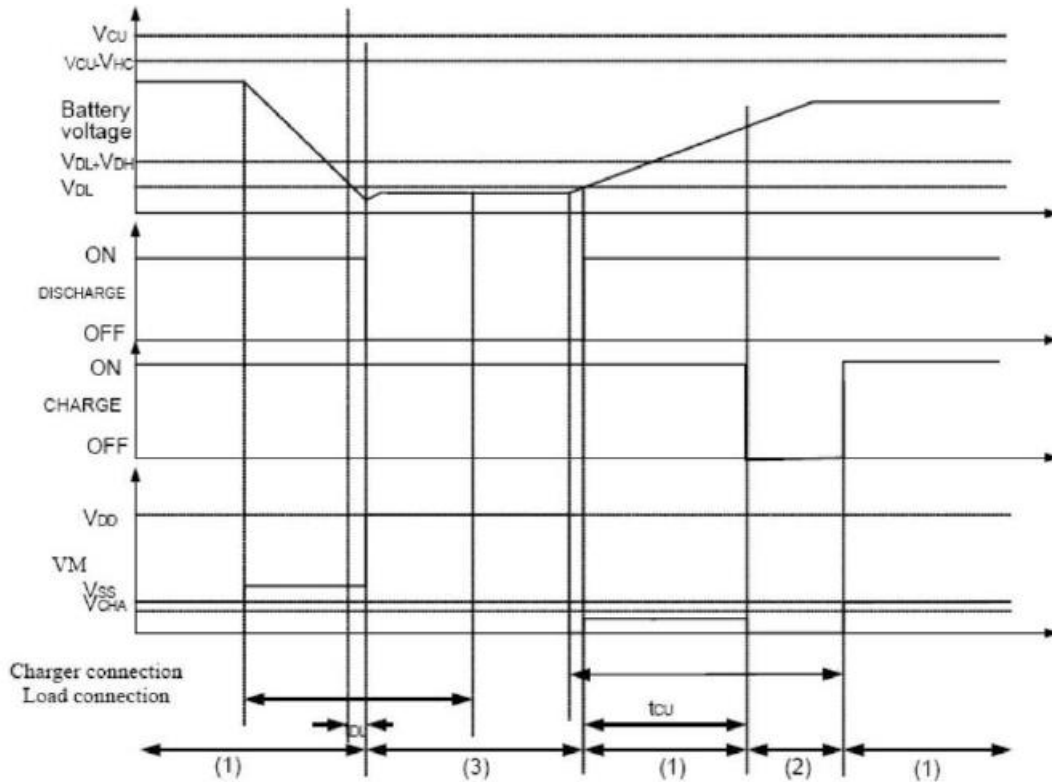




Charger Detection



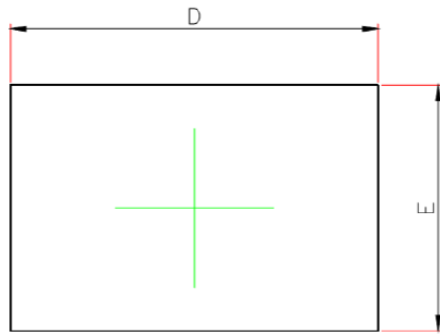
Abnormal Charger Detection



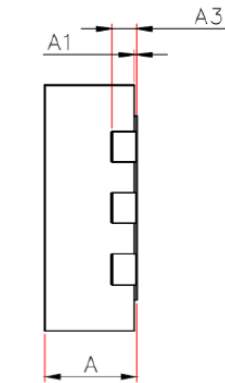


PACKAGE INFORMATION

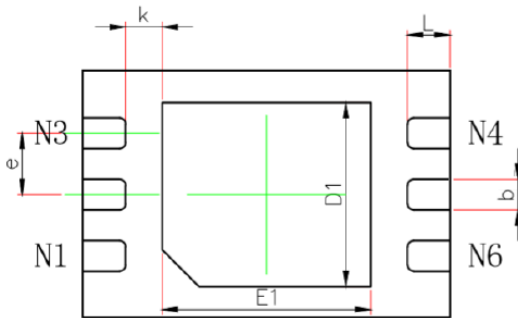
Dimension in DFN6(2X3) (Unit: mm)



TOP VIEW



SIDE VIEW



BOTTOM VIEW

Symbol	Millimeters		Inches	
	Min	Max	Min	Max
A	0.700	0.800	0.028	0.031
A1	0.000	0.050	0.000	0.002
A3	0.203REF.		0.008REF.	
D	2.950	3.050	0.116	0.120
E	1.950	2.050	0.077	0.081
D1	1.400	1.600	0.055	0.063
E1	1.600	1.800	0.063	0.071
b	0.200	0.300	0.008	0.012
e	0.500TYP.		0.020TYP.	
k	0.200MIN.		0.008MIN.	
L	0.300	0.400	0.012	0.016



IMPORTANT NOTICE

AiT Semiconductor Inc. (AiT) reserves the right to make changes to any its product, specifications, to discontinue any integrated circuit product or service without notice, and advises its customers to obtain the latest version of relevant information to verify, before placing orders, that the information being relied on is current.

AiT Semiconductor Inc.'s integrated circuit products are not designed, intended, authorized, or warranted to be suitable for use in life support applications, devices or systems or other critical applications. Use of AiT products in such applications is understood to be fully at the risk of the customer. As used herein may involve potential risks of death, personal injury, or severe property, or environmental damage. In order to minimize risks associated with the customer's applications, the customer should provide adequate design and operating safeguards.

AiT Semiconductor Inc. assumes no liability to customer product design or application support. AiT warrants the performance of its products of the specifications applicable at the time of sale.