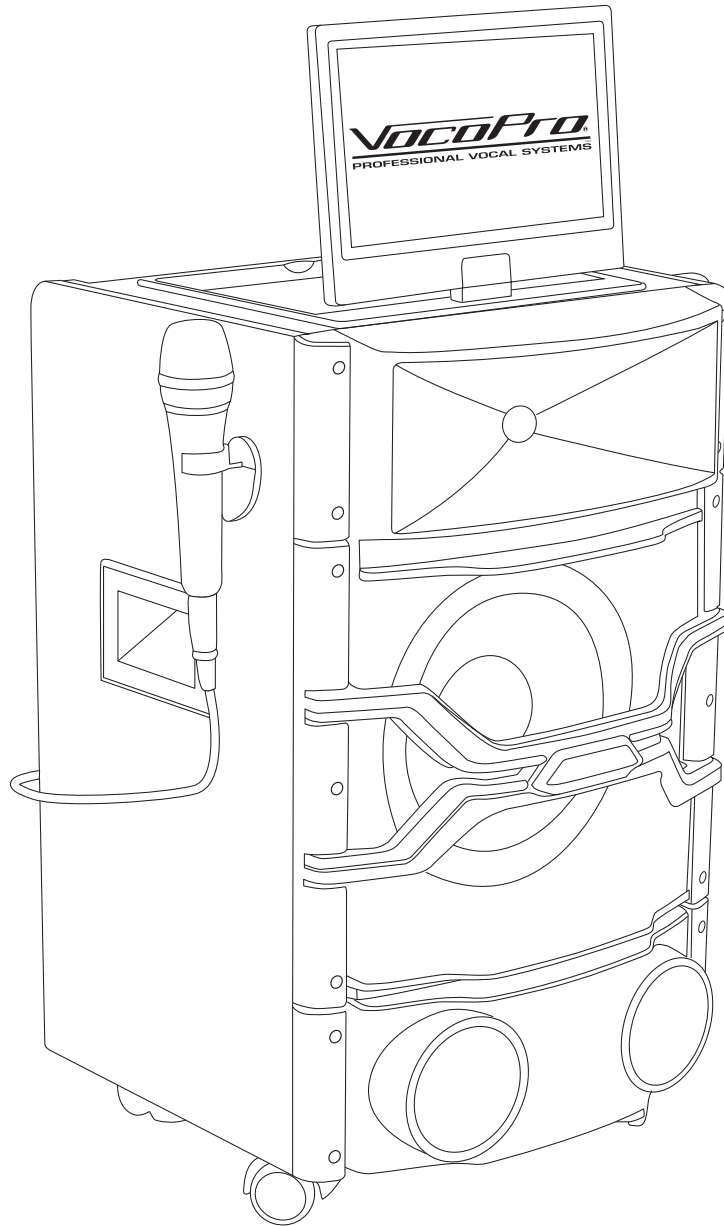


VocoPro[®]

PROFESSIONAL VOCAL SYSTEMS[™]



Karaoke RockOnRoller

All-In-One Karaoke System with 10" LCD & Multi-Format Player

o w n e r ' s m a n u a l

Table of Contents

Safety Instructions	4
FCC Information	5
Listening for a Lifetime	6
Welcome.	7
Getting Started	8
Getting Connected	9–10
AV In/Out	9
Bluetooth	10
Using the Display	10
Descriptions and Functions	11–14
Rear Panel	11
Under the Screen	12
Remote.	13–14
System Setup.	15–16
Language/Audio/Video Setup	15
Speaker Setup	16
Commonly Asked Questions	17

Safety Instructions



CAUTION RISK OF SHOCK



CAUTION: To reduce the risk of electric shock, do not remove cover (or back). No user-serviceable parts inside. Only refer servicing to qualified service personnel.

Explanation of Graphical Symbols



The lightning flash & arrowhead symbol, within an equilateral triangle, is intended to alert you to the presence of danger.



The exclamation point within an equilateral triangle is intended to alert you to the presence of important operating and servicing instructions.

WARNING

To reduce the risk of fire or electric shock, do not expose this unit to rain or moisture.

- 1. Read Instructions** - All the safety and operating instructions should be read before the appliance is operated.
- 2. Retain Instructions** - The safety and operating instructions should be retained for future reference.
- 3. Heed Warnings** - All warnings on the appliance and in the operating instructions should be adhered to.
- 4. Follow Instructions** - All operating and use instructions should be followed.
- 5. Attachments** - Do not use attachments not recommended by the product manufacturer as they may cause hazards.
- 6. Water and Moisture** - Do not use this unit near water. For example, near a bathtub or in a wet basement and the like.
- 7. Carts and Stands** - The appliance should be used only with a cart or stand that is recommended by the manufacturer.
- 7 A.** An appliance and cart combination should be moved with care. Quick stops, excessive force, and uneven surfaces may cause an overturn.



- 8. Ventilation** - The appliance should be situated so its location does not interfere with its proper ventilation. For example, the appliance should not be situated on a bed, sofa, rug, or similar surface that may block the ventilation slots.
- 9. Heat** - The appliance should be situated away from heat sources such as radiators, heat registers, stoves, or other appliances (including amplifiers) that produce heat.
- 10. Power Sources** - The appliance should be connected to a power supply only of the type described in the operating instructions or as marked on the appliance.
- 11. Grounding or Polarization** - Precautions should be taken so that the grounding or polarization means of an appliance is not defeated.
- 12. Power-Cord Protection** - Power-supply cords should be routed so that they are not likely to be walked on or pinched by items placed upon or against them, paying particular attention to cords at plugs, convenience receptacles, and the point where they exit from the appliance.
- 13. Cleaning** - Unplug this unit from the wall outlet before cleaning. Do not use liquid cleaners or aerosol cleaners. Use a damp cloth for cleaning.
- 14. Power lines** - An outdoor antenna should be located away from power lines.
- 15. Nonuse Periods** - The power cord of the appliance should be unplugged from the outlet when left unused for a long period of time.
- 16. Object and Liquid Entry** - Care should be taken so that objects do not fall and liquids are not spilled into the enclosure through openings.
- 17. Damage Requiring Service** - The appliance should be serviced by qualified service personnel when:
 - A. The power supply cord or plug has been damaged; or
 - B. Objects have fallen into the appliance; or
 - C. The appliance has been exposed to rain; or
 - D. The appliance does not appear to operate normally or exhibits a marked change in performance; or
 - E. The appliance has been dropped, or the enclosure damaged.
- 18. Servicing** - The user should not attempt to service the appliance beyond that described in the operating instructions. All other servicing should be referred to qualified service personnel.

Note:

To CATV system installer's (U.S.A.): This reminder is provided to call the CATV system installer's attention to Article 820-40 of the NEC that provides guidelines for proper grounding and, in particular, specifies that the cable ground shall be connected as close to the point of cable entry as practical.

FCC Information

1. IMPORTANT NOTICE: DO NOT MODIFY THIS

UNIT!: This product, when installed as indicated in the instructions contained in this manual, meets FCC requirements. Modifications not expressly approved by Vocopro may void your authority, granted by the FCC, to use this product.

2. IMPORTANT: When connecting this product to accessories and/or another product use only high quality shielded cables. Cable(s) supplied with this product **MUST** be used. Follow all installation instructions. Failure to follow instructions could void your FCC authorization to use this product in the U.S.A.

3. NOTE: This product has been tested and found to comply with the requirements listed in FCC Regulations, Part 15 for Class "B" digital devices. Compliance with these requirements provides a reasonable level of assurances that your use of this product in a residential environment will not result in harmful interference with other electronic devices. This equipment generates/uses radio frequencies and, if not installed and used according to the instructions found in the owner's manual, may cause interference harmful to the operation of other electronic devices. Compliance with FCC regulations does not guarantee that interference will not occur in all installations. If this product is found to be the source of interference, which can be determined by turning the unit "Off" and "On", please try to eliminate the problem by using one of the following measures:

Relocate either this product or the device that is being affected by the interference.

Use power outlets that are on different branch (circuit breaker or fuse) circuits or install AC line filter(s).

In the case of radio or TV interference, relocate/reorient the antenna. If the antenna lead-in is 300-ohm ribbon lead, change the lead-in to coaxial type cable.

If these corrective measures do not produce satisfactory results, please contact your local retailer authorized to distribute Vocopro products. If you can not locate the appropriate retailer, please contact Vocopro, 1728 Curtiss Court, La Verne, CA 91750.

CAUTION

The apparatus is not disconnected from the AC power source so long as it is connected to the wall outlet, even if the apparatus itself is turned off. To fully ensure that the apparatus is indeed fully void of residual power, leave unit disconnected from the AC outlet for at least fifteen seconds.

CALIFORNIA PROP 65 WARNING

WARNING: This product contains chemicals known to the state of California to cause cancer and birth defects or other reproductive harm. (California law requires this warning to be given to customers in the State of California.)

For more information: www.vocopro.com/prop65

CAUTION:

READ THIS BEFORE OPERATING YOUR UNIT

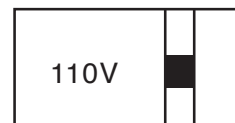
1. To ensure the finest performance, please read this manual carefully. Keep it in a safe place for future reference.
2. Install your unit in a cool, dry, clean place - away from windows, heat sources, and too much vibration, dust, moisture or cold. Avoid sources of hum (transformers, v motors). To prevent fire or electrical shock, do not expose to rain and water.
3. Do not operate the unit upside-down.
4. Never open the cabinet. If a foreign object drops into the set, contact your dealer.
5. Place the unit in a location with adequate air circulation. Do not interfere with its proper ventilation; this will cause the internal temperature to rise and may result in a failure.
6. Do not use force on switches, knobs or cords. When moving the unit, first turn the unit off. Then gently disconnect the power plug and the cords connecting to other equipment. Never pull the cord itself.
7. Do not attempt to clean the unit with chemical solvents: this might damage the finish. Use a clean, dry cloth.
8. Be sure to read the "Troubleshooting" section on common operating errors before concluding that your unit is faulty.
9. This unit consumes a fair amount of power even when the power switch is turned off. We recommend that you unplug the power cord from the wall outlet if the unit is not going to be used for a long time. This will save electricity and help prevent fire hazards. To disconnect the cord, pull it out by grasping the plug. Never pull the cord itself.
10. To prevent lightning damage, pull out the power cord and remove the antenna cable during an electrical storm.
11. The general digital signals may interfere with other equipment such as tuners or receivers. Move the system farther away from such equipment if interference is observed.

NOTE:

Please check the copyright laws in your country before recording from records, compact discs, radio, etc. Recording of copyrighted material may infringe copyright laws.

Voltage Selector (General Model Only)

Be sure to position the voltage selector to match the voltage of your local power lines before installing the unit.



Listening for a Lifetime

Selecting fine audio equipment such as the unit you've just purchased is only the start of your musical enjoyment. Now it's time to consider how you can maximize the fun and excitement your equipment offers. VocoPro and the Electronic Industries Association's Consumer Electronics Group want you to get the most out of your equipment by playing it at a safe level. One that lets the sound come through loud and clear without annoying blaring or distortion and, most importantly, without affecting your sensitive hearing.

Sound can be deceiving. Over time your hearing "comfort level" adapts to a higher volume of sound. So what sounds "normal" can actually be loud and harmful to your hearing. Guard against this by setting your equipment at a safe level BEFORE your hearing adapts.

To establish a safe level:

- Start your volume control at a low setting.
- Slowly increase the sound until you can hear it comfortably and clearly, and without distortion.

Once you have established a comfortable sound level:

- Set the dial and leave it there.
- Pay attention to the different levels in various recordings.

Taking a minute to do this now will help to prevent hearing damage or loss in the future. After all, we want you listening for a lifetime.

Used wisely, your new sound equipment will provide a lifetime of fun and enjoyment. Since hearing damage from loud noise is often undetectable until it is too late, this manufacturer and the Electronic Industries Association's Consumer Electronics Group recommend you avoid prolonged exposure to excessive noise. This list of sound levels is included for your protection.

Some common decibel ranges:

Level	Example
30	Quiet library, Soft whispers
40	Living room, Refrigerator, Bedroom away from traffic
50	Light traffic, Normal Conversation
60	Air Conditioner at 20 ft., Sewing machine
70	Vacuum cleaner, Hair dryer, Noisy Restaurant
80	Average city traffic, Garbage disposals, Alarm clock at 2 ft.

The following noises can be dangerous under constant exposure:

Level	Example
90	Subway, Motorcycle, Truck traffic, Lawn Mower
100	Garbage truck, Chainsaw, Pneumatics drill
120	Rock band concert in front of speakers
140	Gunshot blast, Jet plane
180	Rocket launching pad

-Information courtesy of the Deafness Research Foundation



Welcome

And thank you for purchasing the **Karaoke RockOnRoller** from VocoPro, your ultimate choice in Karaoke entertainment! With years of experience in the music entertainment business, VocoPro is a leading manufacturer of Karaoke equipment, and has been providing patrons of bars, churches, schools, clubs and individual consumers the opportunity to sound like a star with full-scale club models, in-home systems and mobile units. All our products offer solid performance and sound reliability, and to reinforce our commitment to customer satisfaction, we have customer service and technical support professionals ready to assist you with your needs. We have provided some contact information for you below.

VocoPro

1728 Curtiss Court
La Verne, CA 91750
Toll Free: 800-678-5348
TEL: 909-593-8893
FAX: 909-593-8890

VocoPro Company Email Directory

Customer Service & General Information

info@vocopro.com

Tech Support

techsupport@vocopro.com

Remember Our Website

Be sure to visit the VocoPro website **www.vocopro.com** for the latest information on new products, packages and promos. And while you're there don't forget to check out our Club VocoPro for Karaoke news and events, chat rooms, club directories and even a KJ Service directory!

We look forward to hearing you sound like a PRO, with VocoPro, the singer's ultimate choice.

FOR YOUR RECORDS

Please record the model number and serial number below, for easy reference, in case of loss or theft. These numbers are located on the rear panel of the unit. Space is also provided for other relevant information

Model Number

Serial Number

Date of Purchase

Place of Purchase

Getting Started

FEATURES

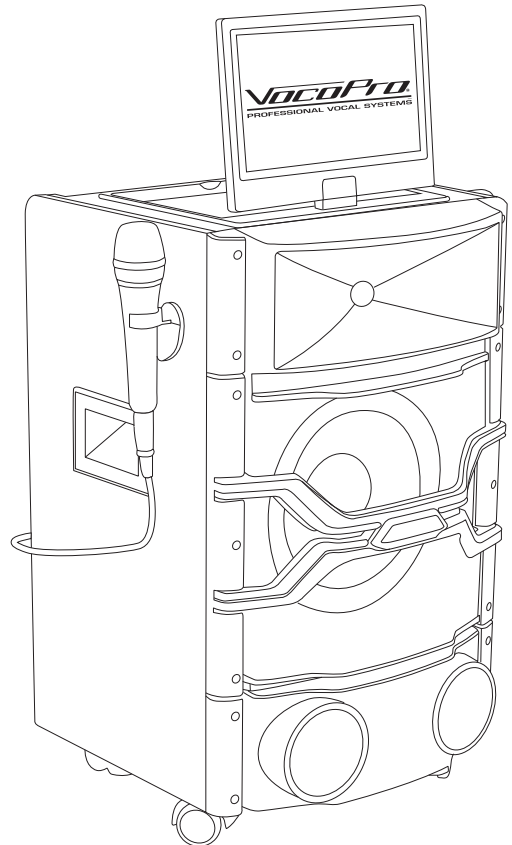
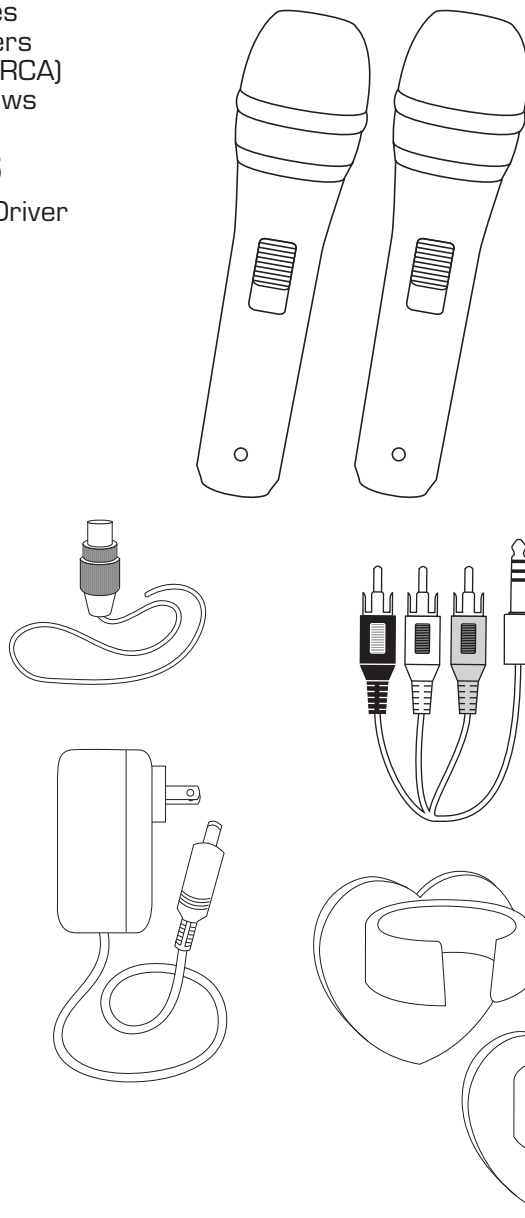
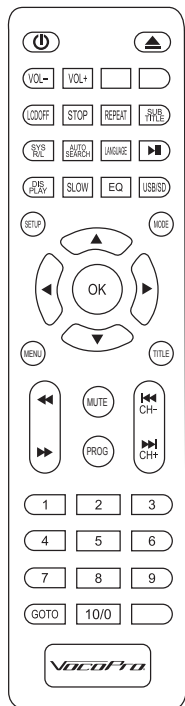
- Thundering 120W (Max) Power Output from 10" Woofer
- 10" Rotating Display to View Karaoke Lyrics
- Multi-Format Disc Player Supports CD+G and DVDs
- USB/SD Inputs for Digital File Playback
- Bluetooth Enabled to Stream Audio from Smartphones or Tablets
- Built-In FM Radio to Jam Out to the Latest Tracks
- Bright LEDs Illuminate with the Beat of the Music for the Ultimate Karaoke Party
- Available Instrument Input Jack

WHAT'S IN THE BOX

- (1) Karaoke RockOnRoller System
- (1) Power Cable
- (1) Remote Control
- (1) FM Antenna
- (2) Microphones
- (2) Microphone Cables
- (2) Microphone Holders
- (1) AV Cable (1/8"-to-RCA)
- (4) Phillips Head Screws

REQUIRED TOOLS

- Phillips Head Screw Driver

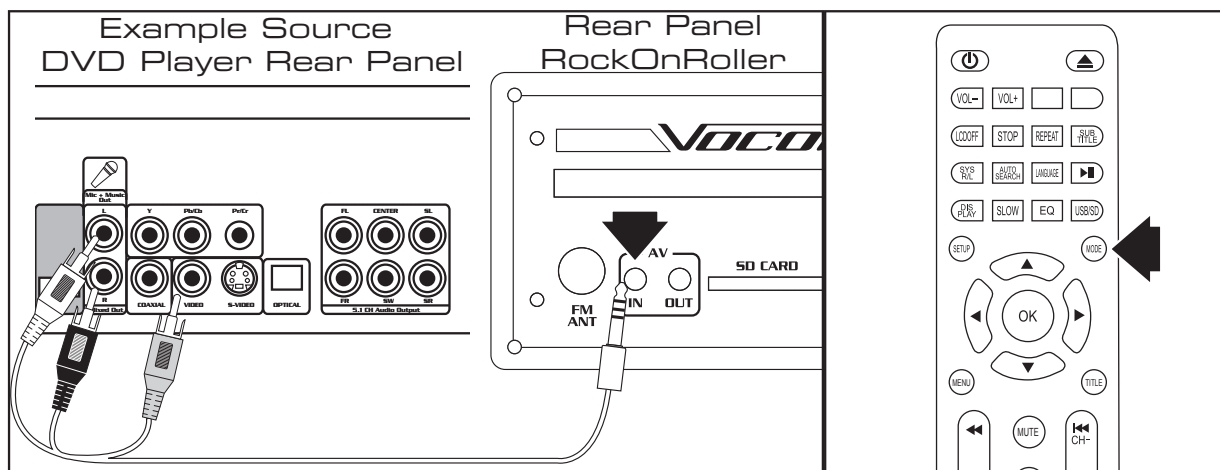


Getting Connected

The Karaoke RockOnRoller is an all-in-one karaoke solution, there were no additional connections required to use the system. The additional connections that can be made are the AV Output & Input; these are available to send the karaoke video to a larger display or to accept video from another source, respectively. The original RCA-to-1/8" cable must be used to get audio and video from the AV Out/In.

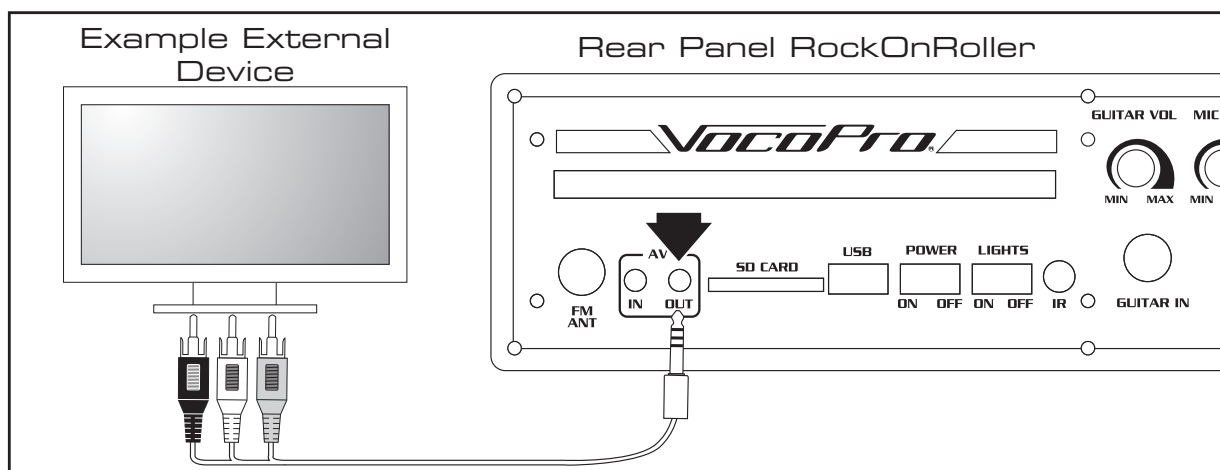
USING THE AV IN – ACCEPT AUDIO/VIDEO FROM AN EXTERNAL SOURCE:

- On the source player, connect the RED/WHITE/YELLOW cables to their appropriate outputs:
 - Red - Right channel audio
 - White - Left channel audio
 - Yellow - Video signal
- On the Karaoke RockOnRoller, connect the 1/8" end of the cable into the AV Input located on the back.
- Set the Karaoke RockOnRoller Input Mode to AV In.



USING THE AV OUT – SEND AUDIO/VIDEO TO AN EXTERNAL DEVICE:

- On the Karaoke RockOnRoller, connect the 1/8" end of the cable into the AV Output located on the back.
- On the external device, connect the RED/WHITE/YELLOW cables to their appropriate inputs:
 - Red - Right channel audio
 - White - Left channel audio
 - Yellow - Video signal
- Set the external device to the appropriate input channel.



Getting Connected

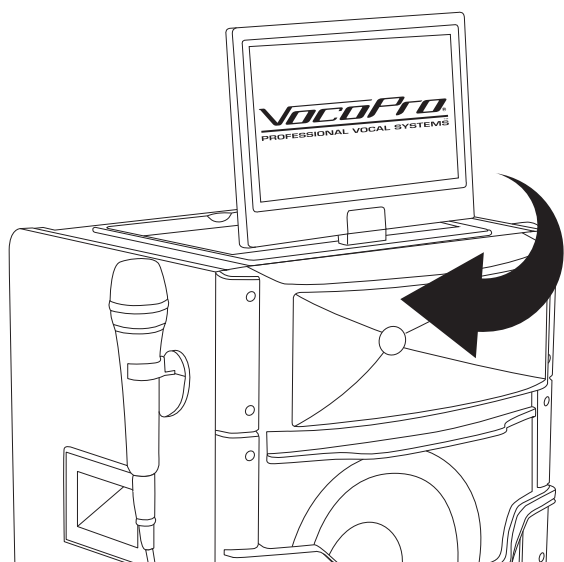
USING THE BLUETOOTH – ACCEPT AUDIO FROM AN EXTERNAL DEVICE:

- On the Karaoke RockOnRoller, push Mode to cycle through options to the Bluetooth input mode.
- The Karaoke RockOnRoller display will show a blinking red dot to indicate no connection.
- On the external device, search for Available Devices.
- On the list of Available Devices, select Karaoke RockOnRoller to connect.
- If done correctly, the Karaoke RockOnRoller display will show a solid blue dot to indicate a connection.



USING THE BUILT-IN DISPLAY:

- On the Karaoke RockOnRoller, the display will only rotate clock-wise.
- Be careful not to close the display once it is rotated. It will be difficult to raise the display.



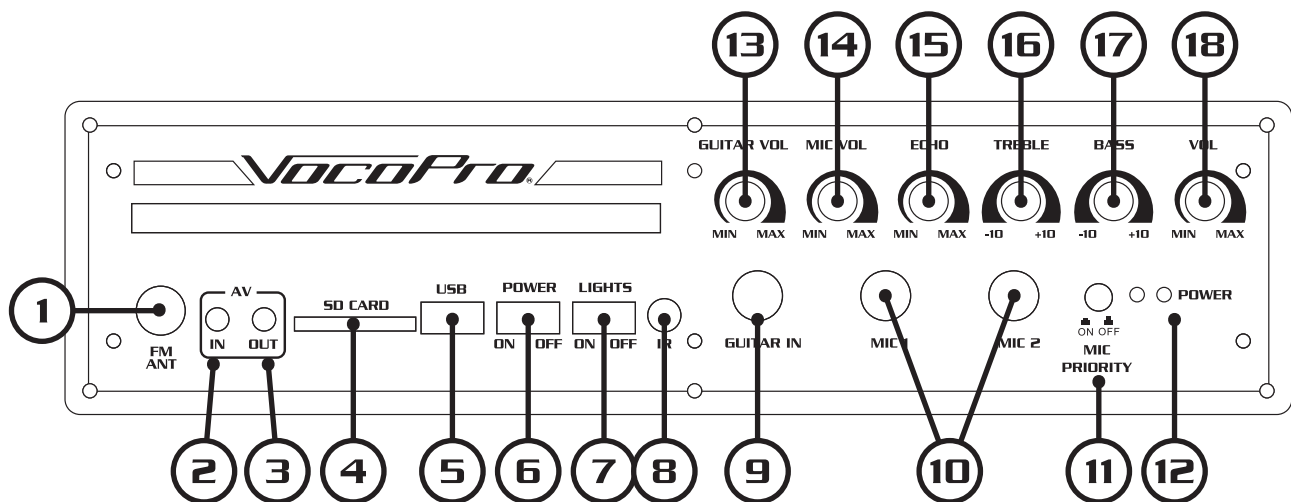
PLEASE NOTE:

- ONLY ROTATE SCREEN CLOCK-WISE
- ONLY ROTATE 270°
- SCREEN CANNOT ROTATE FULL 360°
- DO NOT FOLD SCREEN BACK DOWN WITH SCREEN FACING UP. IT WILL BE DIFFICULT TO FOLD UP SCREEN AGAIN.

Descriptions and Functions

REAR PANEL

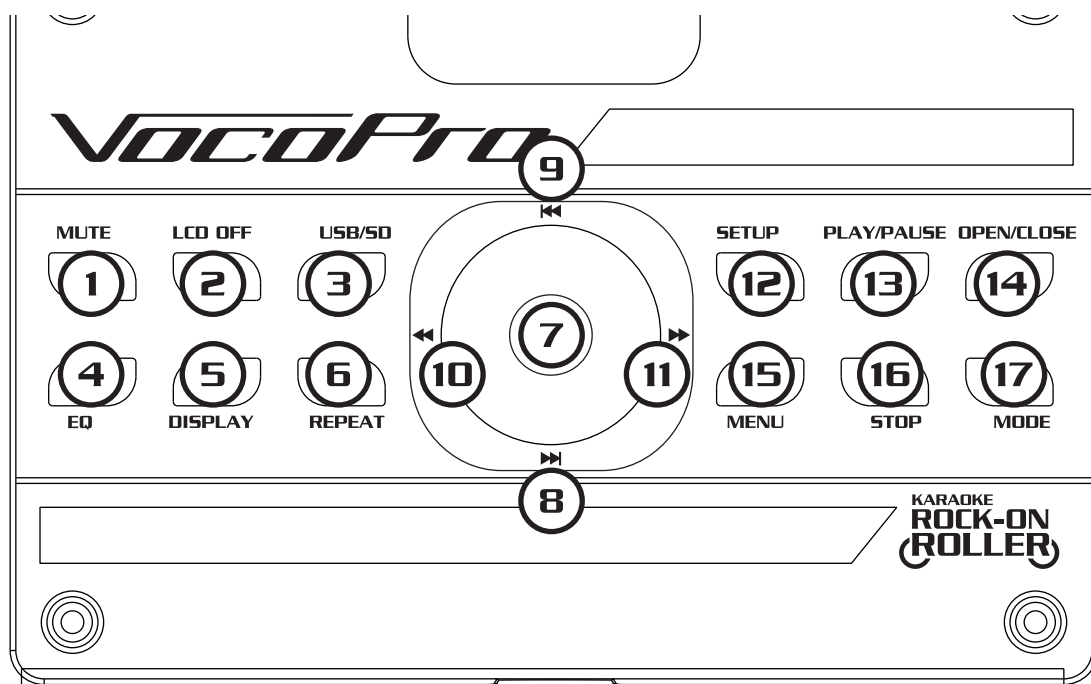
1. **FM Ant** - This is where the included FM antenna is connected.
2. **AV In** - Connect the output of an AV source here with the included AV cable.
3. **AV Out** - This jack sends the Audio & Video of the RockOnRoller to an external device.
4. **SD Card Slot** - Input an SD Card to playback digital files.
5. **USB** - Input a USB thumbstick to playback digital files.
6. **Power Switch** - This switch toggles power on/off.
7. **Lights Switch** - This switch toggles power to the front speaker LEDs off/on.
8. **IR Sensor** - This sensor receives the remote control commands.
9. **Guitar Input** - This 1/4" jack accepts Line level signal from an instrument such as a guitar.
10. **Microphone Inputs 1 & 2** - These jacks accepts Mic level signals from wired or wireless microphones.
11. **Mic Priority** - This feature will automatically lower the music audio when you speak into the microphone, when enabled. The music audio will come back once the microphone audio stops.
12. **Power In** - This is where the power adapter is plugged into.
13. **Guitar Volume** - This knob controls the guitar volume.
14. **Mic Volume** - This knob controls the microphone input volume for both mic channels. Adjusting this volume will alter the audio on Mic 1 & Mic 2.
15. **Echo** - This knob adjusts the amount of Echo effect applied to both mic channels. Adjusting this effect will alter the Echo applied to Mic 1 & Mic 2.
16. **Treble** - This adjusts the mid-range frequencies to be present in the music audio.
17. **Bass** - This adjusts the amount of low-end frequencies to be present in the music audio.
18. **Master Volume** - This adjusts the overall volume, mic & music, of the RockOnRoller.



Descriptions and Functions

UNDER THE SCREEN

- Mute** - This toggles the mute function, which cuts all audio.
- LCD Off** - This toggles power to the LCD off/on.
- USB/SD** - This switches the input to USB and SD Card.
 - When pressed once, it will enter USB mode.
 - When pressed twice, it will enter SD Card mode.
- EQ** - This cycles the music EQ through the various presets:
 - Standard, Classic, Rock, Jazz, Pop.
- Display:**
 - This brings up the on-screen display which shows the current track information, when playing CD or CD+Gs.
 - This will bring up chapter information when playing DVDs.
- Repeat** - This switches between the available Repeat modes. Modes differ depending on type of disc being played.
 - CD/CD+G:
 - Rep 1 - Repeat single track
 - Rep All - Repeats all tracks on disc.
 - DVD:
 - Chapter - Repeats current DVD chapter.
 - Title - Repeats current DVD title.
 - Rep All - Repeats DVD disc.
- OK** - Press this to confirm selections when accessing menus.
- Next** - This will advance the playlist on the disc.
- Previous** - This will backtrack the playlist on the disc.
- Rewind** - This will backtrack playback time on the current track being played
Note: This function will not work on CD+G format discs.
- Fast-Forward** - This will advance playback time on the current track being played.
Note: This function will not work on CD+G format discs.
- Set Up** - This opens the Settings Menu for the Karaoke RockOnRoller. See System Set Up.
- Menu** - This will jump to the main menu of a DVD.
Note: This function will not work on CD+G format discs.
- Play/Pause** - This toggles the disc playback.
- Stop** - This stops the disc playback.
- Open/Close** - This opens the CD tray.
- Mode** - This button cycles through the available inputs:
 - Disc, Bluetooth, FM Radio, AV In, USB/SD.



Descriptions and Functions

REMOTE

1. **Power** - This toggles the machine off/on.
2. **Eject** - This will open/close the disc tray.
3. **Vol -/+** - These will alter the overall volume from the Karaoke RockOnRoller.
4. **LCD Off** - This toggles power to the LCD off/on.
5. **Stop** - This stops music playback.
6. **Subtitle** - This cycles through the available subtitles available on the disc.

Note: This function will not work on CD+G format discs.

7. **Sys R/L** - This changes the audio output:
 - Stereo
 - Left-Mono
 - Right-Mono
 - Mix Mono
8. **Language** - This cycles through the available Language tracks on the disc.

Note: This function will not work on CD+G format discs.

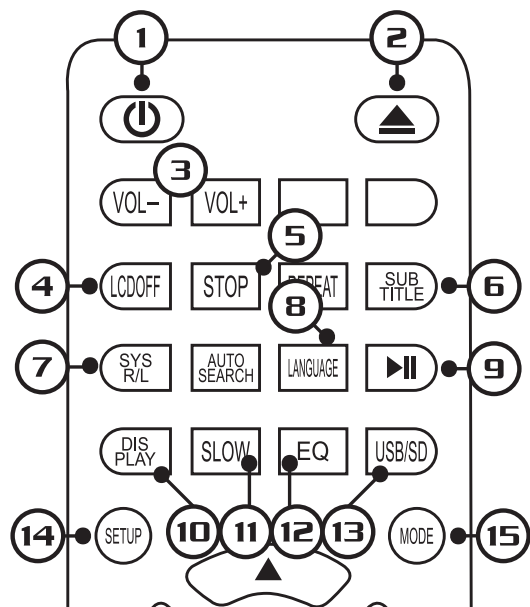
9. **Play/Pause** - This plays and pauses the music.
10. **Display** - This toggles the on screen display on/off.
11. **Slow** - This slows the DVD playback by various increments.
 - 1/2
 - 1/3
 - 1/4
 - 1/5
 - 1/6
 - 1/7

12. **EQ** - This cycles through the various EQ presets:
 - Standard
 - Classic
 - Rock
 - Jazz
 - Pop

13. **USB/SD** - This switches the input mode to USB and SD Card.

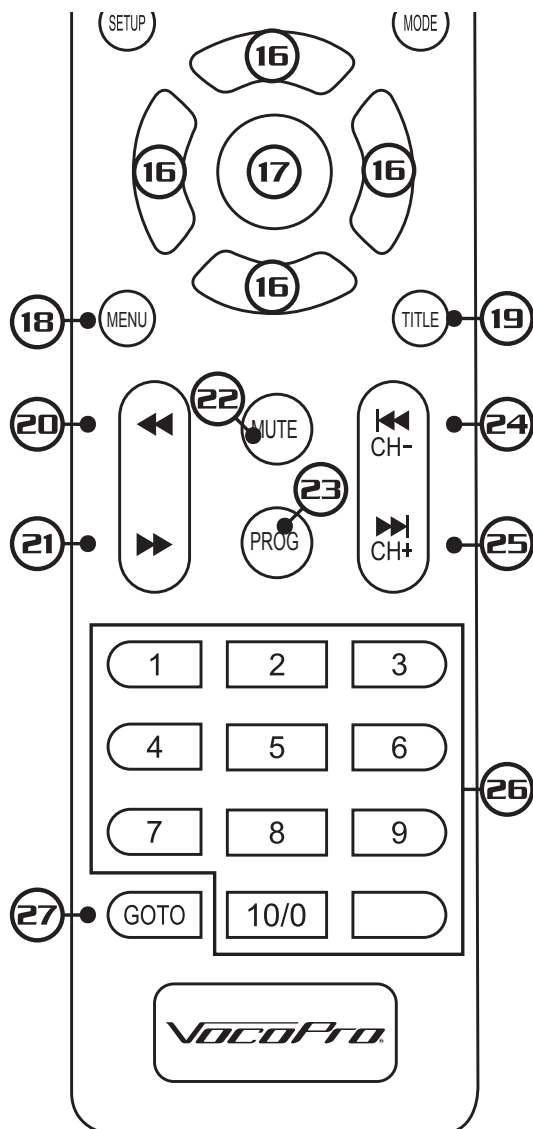
14. **Set Up** - This opens the Settings Menu for the Karaoke RockOnRoller. See System Set Up.

15. **Mode** - This button cycles through the available inputs:
 - Disc
 - Bluetooth
 - FM Radio
 - AV In
 - USB/SD



Descriptions and Functions

- 16. Directional Arrows** - These are used to make selections in the menus.
- 17. OK** - This is used to confirm a selection in the menus.
- 18. Menu** - This will jump to the main menu of a DVD.
Note: This function will not work on CD+G format discs.
- 19. Title** - This function will access the title menu on a CD/CD+G or DVD.
- 20. Rewind** - This will backtrack playback time of the current track being played.
Note: This function will not work on CD+G format discs.
- 21. Fast-Forward** - This will advance playback time of the current track being played.
Note: This function will not work on CD+G format discs.
- 22. Mute** - This toggles the Mute function, which cuts all audio.
- 23. Program** - This opens and confirms selections for the Program function.
- 24. Previous** - This will backtrack the playlist on the disc.
- 25. Next** - This will advance the playlist on the disc.
- 26. Number Pad** - This is used to enter track numbers.
- 27. GoTo** - This is used to jump directly to a particular track. When pressed, the on screen display will show where the track number can be entered.



System Setup

The Karaoke RockOnRoller has internal settings that can be accessed by pressing the Setup button on the remote control. Below is a list of the settings along with their options.

SYSTEM SETUP

- **Password** - This is the Parental Lock. The four digit combination can be customized.
- **Rating** - This sets the Parental Rating Limits on the discs being played.
 - Kid Safe
 - G
 - PG
 - PG-13
 - PG-R
 - R
 - NC-17
 - Adult
- **Default** - This restores the factory settings, including the parental lock code.

LANGUAGE SETUP

- **OSD (On-Screen Display) Language** - This sets the language for the On Screen Display, if supported by the disc.
 - English
 - German
 - Spanish
 - French
 - Portuguese
 - Latin
 - Russian
 - Dutch
- **Audio Language** - This sets the default audio language for DVDs played, if supported by the disc.
 - English
 - German
 - Spanish
 - French
 - Portuguese
 - Latin
 - Russian
 - Dutch
- **Subtitle Language** - This sets the default subtitle language for DVDs played, if supported by the disc.
 - English
 - German
 - Spanish
 - French
 - Portuguese
 - Latin
 - Russian
 - Dutch
- **Menu Language** - This sets the default menu language for DVDs played, if supported by the disc.
 - English
 - German
 - Spanish
 - French
 - Portuguese
 - Latin
 - Russian
 - Dutch

AUDIO SETUP:

- **Key** - This changes the overall tone of the track to better match a singers' voice.
 - +6
 - +4
 - +2
 - 0 - Neutral
 - -2
 - -4
 - -6

System Setup

VIDEO SETUP

- **Brightness** - This adjusts how bright the LCD is.
 - 12
 - 10
 - 8
 - 6
 - 4
 - 2
 - 0
- **Contrast** - This adjusts the contrast level of the LCD.
 - 12
 - 10
 - 8
 - 6
 - 4
 - 2
 - 0
- **Hue** - This adjusts the overall color of the LCD.
 - +6
 - +4
 - +2
 - 0
 - -2
 - -4
 - -6
- **Saturation** - This adjusts the overall color intensity of the LCD.
 - 12
 - 10
 - 8
 - 6
 - 4
 - 2
 - 0
- **Sharpness** - This adjusts the definition of the LCD.
 - 8
 - 6
 - 4
 - 2
 - 0

SPEAKER SETUP

- **Downmix** - This changes the perceived speaker configuration.
- **LT/RT** - This toggles between Left-Mono and Right-Mono. This can be switched from the remote control, with the Sys L/R button.
- **Stereo** - This is the standard audio setting. Left/Right are played simultaneously.
- **VSS** - This is Virtual Surround Sound, which simulates Surround Sound from the Karaoke RockOnRoller speaker cabinet.

Commonly Asked Questions

Q. What type of files can be played from the USB/SD Card inputs?

- A. The USB/SD Card inputs can accept only MP3 audio and AVI video files.
- A. The AVI files must have a resolution no larger than 640x480.
- A. Both the SD Card and USB drive must be formatted in FAT32 file system in order to be recognized by the RockOnRoller

Q. Can the screen rotate 360° degrees?

- A. No, the LCD will only rotate 270° degrees, clockwise.
- A. The LCD can potentially be damaged if forcefully twisted counter clockwise.

Q. How can I connect an external video monitor to this machine?

- A. Refer to the Getting Connected section of the owner's manual.
- A. The included AV cable must be used in order to output the RockOnRoller video to an external monitor.

Q. Can I connect my iPod, MP3 Player, or Computer to this system?

- A. Yes, you can. The AV In jack is where to connect the audio from the output of the music device.
- A. The audio from a computer can be sent to the RockOnRoller, but the video will not be supported through the AV In.

Q. Can I use wireless Microphones with this unit?

- A. Yes, you can. Whichever wireless microphone system is used, the associated receiver can be plugged into the Mic 1 or Mic 2 jacks.

Q. I'm missing some parts from my box. What do I do?

- A. Please call VocoPro regarding any missing or defective parts at 800-678-5348.

Notes

Notes

