

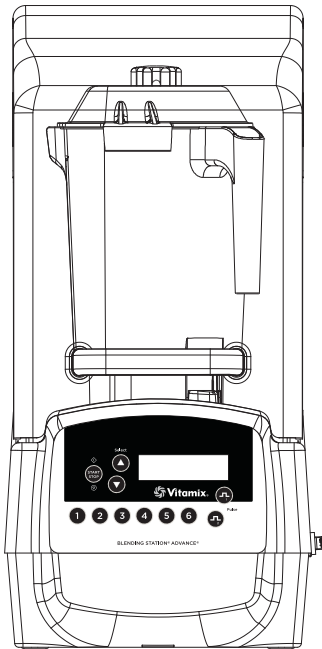


# Blending Station® Advance®

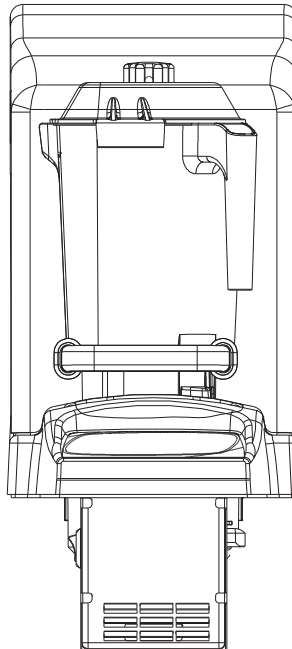
ALL MODELS

## Use and Care Manual

Read and save these instructions



**ON-COUNTER**



**IN-COUNTER**

# CONTENTS

<b>English</b> .....	<b>1</b>
<b>Español</b> .....	<b>31</b>
<b>Français</b> .....	<b>61</b>
<b>Important Safeguards</b> .....	<b>4</b>
<b>General Instructions</b> .....	<b>6</b>
<b>Control Panel</b> .....	<b>8</b>
<b>Programming</b> .....	<b>10</b>
Programming Pre-Set Buttons	
Programming Custom Chip	
Resetting Pre-Set Buttons	
Recipe Options	
<b>Machine Assembly</b> .....	<b>14</b>
Compact Cover	
Lid	
Blade Assembly	
<b>Installation</b> .....	<b>18</b>
<b>Caring for your Machine</b> .....	<b>20</b>
<b>Troubleshooting</b> .....	<b>22</b>
<b>Warranty</b> .....	<b>24</b>
<b>Parts List</b> .....	<b>28</b>
<b>Product Specifications</b> .....	<b>30</b>

# IMPORTANT SAFEGUARDS

1. Read all instructions.
2. To protect against risk of electrical shock, do not put motor base in water or other liquid.
3. Close adult supervision is necessary when machine is used by or near children.
4. Unplug the power cord from the wall outlet when the Vitamix® machine is not in use, before disassembling, when putting on or taking off parts, and before cleaning, other than washing the container.
5. Never come in contact with moving parts, especially the blades.
6. Do not operate any machine that malfunctions, has a damaged cord or plug, has been dropped or is damaged in any manner. If you purchased your equipment in the U.S.A., call **Vitamix Technical Support, (800) 886.5235** for examination, repair, possible replacement, or electrical or mechanical adjustment. If you purchased outside of the U.S.A., please contact your local authorized Vitamix Distributor, or contact the Vitamix International Division at +1 (440) 782.2450 or email: [international@vitamix.com](mailto:international@vitamix.com) for a distributor near you.
7. Do not use attachments not recommended or sold by Vitamix. Doing so will void the warranty. **Alteration or modification of this product in any form is not recommended as such may result in bodily injury.**
8. **Do not use outdoors.**
9. Do not let the power cord touch hot surfaces or hang over edge of table or counter.
10. Do not place the machine on or near a hot gas or electrical burner, in a heated oven, or allow machine to touch hot surfaces. External heat sources can damage the machine.
11. Keep hands and utensils out of container while motor is running to prevent the possibility of severe personal injury and/or damage to the Vitamix machine. A rubber spatula may be used, but only when the Vitamix machine is not running.
12. **WARNING: Blades are sharp. Handle carefully.**
  - Never try to remove the blades while container is sitting on the motor base.
  - Do not operate with loose, nicked or damaged blades – replace immediately.
  - To reduce the risk of personal injury, never place blade assembly on motor base without the Vitamix container properly attached.
13. The maximum capacity is equivalent to the ounces (liters) listed on the container, i.e., 48 oz. / 1,4 L, and is substantially less with thick mixtures.
14. **Always operate the Vitamix machine with the lid in place and securely attached.**
15. Display window area will scratch when contacted with a scouring pad or sharp object. Use a soft cloth to wipe the control panel area clean.
16. The machine cannot be cleaned with a water jet.
17. It is recommended that for a 120 V installation, you have at least one 20 amp outlet per machine, available within 6 ft. / 1,8 m of the Vitamix. 220 V and 100 V units require a dedicated line. **Consult an electrician for proper electrical needs.**
18. **CAUTION:** Turn power off or unplug the machine before touching movable parts. Shut off power switch at night or whenever machine will be left unattended.

## Save These Safety Instructions

- The Vitamix blender's U.S.A. power cord comes equipped with a three-prong (grounding) plug which mates with a standard three-prong wall outlet (Figure A). **This cord will vary for countries outside the United States of America.**
- Adapters (Figure B) are available for two-prong outlets. Do not cut or remove the third (ground) prong from the plug or power cord.
- Consult your electrician if you are not sure if the wall outlet is grounded through the building wiring. With a properly grounded two-prong wall outlet, ground the machine by attaching the tab on the adapter to the wall outlet cover by means of the screw in the center of the cover (Figure B).



## WARNINGS!

Three-prong adapters are not to be used in Canada.

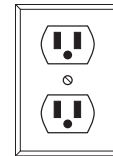


FIGURE A

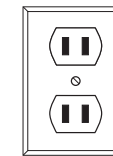
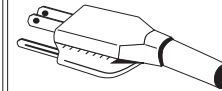


FIGURE B

## IMPORTANT NOTES!

The instructions appearing in this Use and Care Manual cannot cover every possible condition and situation that may occur. Common sense and caution must be practiced when operating and maintaining any appliance.

# GENERAL INSTRUCTIONS

## Instructions for using the Pre-Set Program Buttons

The following is the basic settings of the six Pre-Set buttons for the Blending Station® Advance®. These programs, numbered 1 through 6, are blending cycles designed for the most commonly made drinks. Depending on the viscosity of the drink you are creating, selecting one of the Pre-Set programs will run the machine for a full cycle. The machine will stop by itself when the cycle is complete. A cycle varies in speed and length. Your machine's Pre-Set options may differ due to program revisions or due to the difference of recipes, your results may also vary.

**BUTTON 1:** Blends thin drinks with just juice and ice. Button 1 will ramp the blending speed to high (87%) for 13 seconds. (:13)

**BUTTON 2:** Blends light coffee drinks. Button 2 will ramp the blending speed to high for 18 seconds. (:18)

**BUTTON 3:** Creates a specialty drink with a thick viscosity. Button 3 will ramp the blending speed to high for 20 seconds. (:20)

**BUTTON 4:** This cycle is good for ice cream and regular coffee drinks. Button 4 increases to medium speed for 5 seconds and then ramps up slowly to high for 10 seconds. (:15)

**BUTTON 5:** Blend a regular smoothie on high. Button 5 increases to medium speed for 10 seconds and then ramps up slowly to high for 10 seconds. (:20)

**BUTTON 6:** Blend thick frozen fruits & hard ingredients for a thick but consistent smoothie. Button 6 increases to medium speed for 10 seconds and then ramps up slowly to high for 15 seconds. (:25)

## Blending Tips

1. Place liquids and soft foods in the container first, solid items and ice last. Although not necessary for processing, you may want to cut or break food into smaller pieces for more precise measuring of ingredients. Thawed or partially thawed fruit is recommended.
2. As a general rule, compared to other blenders, you do not need as much ice to make an equally frozen drink in the Blending Station® Advance®. If your recipe freezes up, try reducing the amount of ice.
3. Set the container on the motor base by aligning it over the centering pad anchored to the base. **(Motor must be completely stopped before positioning container.)** Containers are not to be used for hard, dry materials. Avoid running your machine with the container empty.
4. Always use a lid that is securely attached when blending.
5. Plug the machine into the nearest outlet (if unplugged). Press the On/Off switch to on. Select desired programmed setting by pressing any of the Pre-Set buttons 1 through 6. The machine will immediately begin to cycle through the selected program and turn off when the program is complete. **(NOTE: Each button has a different pre-selected combination of speed and length for blending).**

6. Once one of the six Pre-Set program buttons is pushed, the machine will start and stop automatically. By pressing another Pre-Set button, the machine will stop the blending cycle.
7. When the cycle is complete, the blender stops. **Wait until blades come to a complete stop before removing the lid and/or container from the motor base.**
8. Remove the container, pour, garnish and serve the drink.
9. Press the On/Off power switch to off when not in use.

## Maintenance Tips

- **Never bang the container against a surface to loosen the ingredients.** Remove the container from the base and use a rubber spatula to remove thick mixtures from the bottom of your container.
- **Never shake or rattle a container while in use.**
- **Never remove the container before the machine has come to a complete stop.**
- **Never start the motor before the container is in place.**



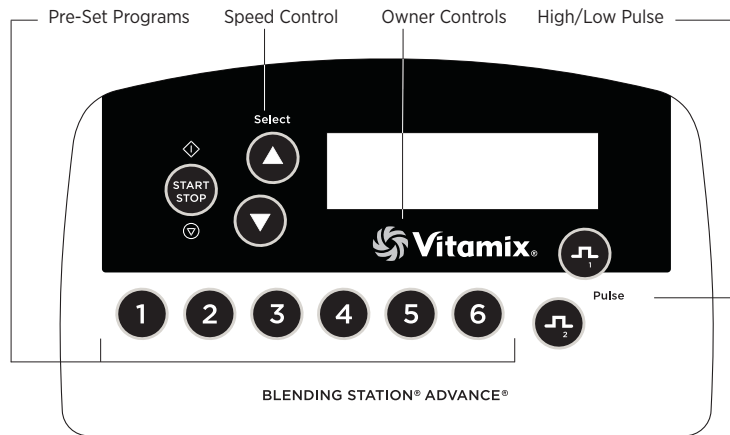
## WARNINGS!

- Turn power off or unplug the machine before touching movable parts. Shut off power switch at night or whenever machine will be left unattended.
- If you detect a change in the sound of the machine or if a hard or foreign object comes into contact with the blades, do not serve the drink. Inspect your blade assembly for loose, nicked or missing parts. If parts are loose, missing, or nicked, replace with new blade assembly. (See page 17.)

## IMPORTANT NOTES!

- Check your blades daily for loose, nicked or missing parts. If you find something is loose, nicked or missing, replace the blade assembly before use (see page 17). Do not tighten hex-headed screw (on top of blade assembly). If loose, replace blade assembly immediately.
- The instructions appearing in this Use and Care Manual cannot cover every possible condition and situation that may occur. Common sense and caution must be practiced when operating and maintaining any appliance.
- On all units, the built-in thermal protector keeps track of how hot the motor gets and will warn the user and eventually shut down the motor if the motor is overheating. When overheated, the display will instruct the user to remove the container and run the machine until cool. This takes about two minutes. See page 23, "Cooling the Motor," for complete instructions. When the thermal protector shuts the motor off, review your processing techniques and your instructions. Your recipes may be too thick or have too much material in them. Consider adding more liquid and consult Vitamix® Customer Service or your local Vitamix Distributor for further assistance.

# CONTROL PANEL



**On/Off Power Switch:** Located on the side of the motor base, the On/Off switch controls the power to the machine. While plugged in, switch to on to ready the machine for blending. Shut off the power switch at night or whenever the machine will be left unattended.

**Start/Stop Button:** Pressing Start/Stop once starts and runs the machine and turns the blade. Press Start/Stop button again to stop the machine and the blade.

**Speed Buttons:** Press the ▲ button to gradually increase the speed of the blade in increments of 1%, up to 100%. Press the ▼ button to gradually decrease the speed of the blade in increments of 1% down to 7%. The speed of the motor can be changed with the motor on or off. To change the speed with the motor off, press the ▲ or ▼ buttons to desired speed then press the Start/Stop button and machine will ramp up to selected speed. Blending can be stopped at any time by pressing the Start/Stop button. To change the speed with the motor on, press the Start/Stop button with the container in place. The machine will begin blending. While the machine is running, press the ▲ or ▼ buttons to desired speed. Blending can be stopped at any time by pressing the Start/Stop button. Speed is used to set the blending speed of the Pulse buttons (see Instructions, page 9) and the Start/Stop button.

**Pre-Set Program Buttons:** These buttons, numbered 1 through 6, are pre-programmed blending cycles designed for the most commonly made drinks. Depending on the viscosity of the drink you are creating, pressing one of the six Pre-Set program buttons will run the machine for a full cycle. The machine will stop by itself when the cycle is complete. A cycle varies in speed and length; see the Instructions on page 6 for a complete description of the range of each Pre-Set button. Each button can be reprogrammed to any recipe through custom programming or by reprogramming to any of the 34 available recipes. See page 10 for instructions on creating custom programming. Due to difference of recipes, your results may vary.

**Display Window:** This area, depending on which button is pressed, displays a variety of operation messages. A “Ready” message appears when there is power to the machine.

**Owner Controls:** The owner control panel is accessible by pressing the Vitamix logo on the control panel.

READY

MODE

TEMP	COUNT	TOTAL
NORM	25	100

VITA-MIX ADVANCE  
PROGRAM #201

4 TO OVERWRITE  
CURRENT PROGRAM

BUTTON SETUP  
RECIPE 01

- Press once to reveal the mode message. Press button 1 then button 6 within five seconds to continue. Once the correct code is entered, the display will indicate the motor temperature (NORM, WARM, HOT), a usage count and a total. The count is a machine usage total and can be reset. This can be used to keep a count of the number of drinks sold in a week, day or even an hour. To clear, press and hold the Start/Stop button for 5 seconds. The total keeps track of the machine usage, including production and testing, and cannot be cleared.

- Press twice to reveal the name of the program controlling the Pre-Set buttons. If you are using the Advance settings, this will read VITA-MIX ADVANCE PROGRAM.

- Press a third time to reveal an option to reset the Pre-Set buttons to the original factory settings.

- Press a fourth time to reveal an option to reassign any one of the available 34 recipes in memory to one of six Pre-Set buttons.

- Press a fifth time to exit and continue blending.

**Pulse Buttons:** The pulse provides a quick increase or decrease in speed of the blade when blending or refreshing a drink. Press  $\square$  to increase the motor to speeds that range from 51%-100%. Press  $\square$  to decrease the motor speed down to a range of 50%-7%. The Pulse button will override the running program as long as it is depressed. Once released, the original program continues its cycle.

- The Pulse High ( $\square$ ) and Low ( $\square$ ) speed is set by using the Speed Control buttons. To set, while pressing and holding a Pulse button, press the Speed Control ▲ or ▼ button until the desired motor speed is reached. The pulse speed will remain at this setting until changed again with the Speed buttons.

## IMPORTANT NOTES!

**Start/Stop Button:** Pressing one of the Pre-Set program buttons, while the motor is running, will stop the machine.

**Speed Button:** These settings will reset if the power is shut off.

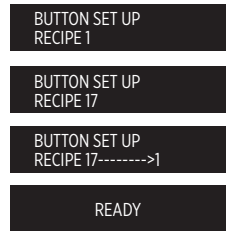
**WARNING:** Wait until blade comes to a complete stop before removing the lid and/or container from the motor base.

# PROGRAMMING

The Blending Station® Advance® is pre-programmed with an Advance® program which is optimized for the Advance® container. The program can be customized by using the control panel, or a programming chip or programmer software kit available from Vitamix®. Call your distributor or customer service for more information.

## Programming Pre-Set Buttons

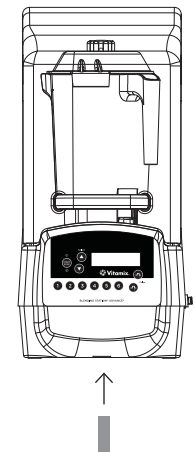
1. Press the Owner Control button (Vitamix® logo). “MODE” will appear in the display window. Press the Pre-Set buttons 1 and then 6. Then press the Vitamix logo three more times. The display window will say “BUTTON SETUP.”
2. Press the Speed ▲ or ▼ buttons to scroll through the “Recipe” numbers until you reach the one you want. (For a description of each recipe, see page 12.)
3. Press the Pre-Set button that you want to program for the recipe selected.



### For Example: If you wanted to program button 1 with recipe #17:

1. After accessing the stored programs as described in step 1, the display window will say “BUTTON SETUP.”
2. Press the Speed ▲ button until the screen displays “Recipe 17.”
3. Press the 1 button to apply Recipe 17.
4. Either continue programming the other five buttons or press the High Pulse button to exit and continue blending.

## Programming your Machine with a Custom Chip



Custom Programmed Chip

1. Turn on the machine.
2. **On-Counter:** Remove the container and lift the front of the machine so that you can see the programming port.  
**In-Counter:** Remove the container and lift the machine from the bottom edges to reveal the motor and housing area. With the machine facing towards you, locate the slot underneath on the right hand side of the machine between the motor and the outer wall.
3. Facing the front of the machine, insert the custom programmed chip (with the silver contact bars up and the words, “THIS SIDE FACING TO THE FRONT OF THE MACHINE” toward you) into the port located below the label area. Push gently until chip engages into the port. The display window will read “NEW MODULE.”
4. Within 10 seconds, the six Pre-Set buttons will be re-programmed and the display window will read “Saved” then “Ready.”

5. Remove the programming chip, return it to the original package and store in a safe, easily accessible spot.
6. Press one of the six Pre-Set buttons to reveal, in the display window, the name of the program/drink.
7. **In-Counter:** Carefully place the Blending Station® Advance® motor back into the hole in the counter.

## Resetting the Pre-Set Buttons to the original factory settings

1. Press the Owner Controls button (Vitamix logo). “MODE” will appear in the display window. Press the Pre-Set buttons 1 and then 6. The display window will say “COUNT TEMP TOTAL.”
2. Press the Vitamix logo two more times to reveal the instructions on resetting the Pre-Set buttons.
3. Press and hold button 4 until the display window reads “RESTORING PLEASE WAIT.” The Pre-Set buttons are now reset to the original factory settings.

## IMPORTANT NOTES!

**Programming Chip:** If the above programming steps are taken and the custom programming does not appear with the first blend cycle, turn the chip 180° (side-to-side) and try again.

# PROGRAMMING

## Recipe Options Arranged by recipe number (#) and drink type:

#	DRINK TYPE	DESCRIPTION	RUN TIME
1	Thin Juice Drink	Ramps up to HIGH (87%)	:13
2	Light Coffee Drink	Ramps up to HIGH (100%)	:18
3	Thick Specialty Drink	Ramps up to HIGH (100%)	:20
4	Ice Cream & Coffee Drinks	Ramps up to MED (50%) for 5 seconds, then ramps up to HIGH (100%) for 10 more seconds	:15
5	Smoothie	Ramps up to MED (50%) for 10 seconds, then gradually ramps up to HIGH (100%)	:20
6	Thick Hard-To-Blend Smoothie	Ramps up to MED (50%) for 10 seconds, then gradually ramps up to HIGH (100%)	:25
7	Medium Smoothie	Gradually ramps up to HIGH (100%)	:20
8	Hard-To-Blend Smoothie	Gradually ramps up to HIGH (100%)	:25
9	Thick Smoothie	Ramps up to MED (50%) for 15 seconds, then ramps up to HIGH (100%) for 20 more seconds	:35
10	Mix, Light Juice	Runs on LOW (10%)	:04
11	Heavy Smoothie	Runs at MED-HIGH (75%), ramps up, back down, then up to HIGH (100%)	:40
12	Hard-To-Blend Smoothie	Runs on LOW (7%) for 25 seconds, quickly ramps up to HIGH (100%), then decreases to LOW (7%), and quickly back to HIGH (100%)	:40
13	Regular Iced Coffee	Quickly ramps up to HIGH (100%)	:09
14	Double Iced Coffee	Quickly ramps up to HIGH (100%)	:13
15	Thick Coffee	Ramps up to MED (55%), gradually decreases to LOW (7%), then quickly up to HIGH (100%)	:30
16	Multiple Coffees	Ramps up to LOW (25%), gradually ramps up to MED (50%), then up to HIGH (100%)	:25

17	Multiple Coffees 2	Ramps up to LOW (25%), gradually ramps up to MED (50%), then up to HIGH (100%)	:30
18	Small Coffee	Gradually ramps up to MED-HIGH (75%)	:14
19	1-2 Drink Cocktail	Ramps up to HIGH (90%)	:13
20	3-4 Drink Cocktail	Ramps up to MED (45%), then ramps up to HIGH (100%)	:25
21	Kids Cup	Starts at MED (55%), then decreases to LOW (7%), then quickly to HIGH (100%)	:30
22	Bar Shake	Gradually steps up to HIGH (100%)	:25
23	Bar Special	Ramps up to MED (58%), decreases to LOW (22%), then gradually steps up to HIGH (100%)	:35
24	Utility Blend	Ramps up to MED (40%), then gradually increases to MED-HIGH (75%)	:25
25	1 Shake	Ramps up to MED (50%), decreases to LOW (25%), then gradually decreases to LOW (15%)	:20
26	2 Shakes	Ramps up to MED (50%), decreases to LOW (25%), then gradually decreases to LOW (17%)	:30
27	3 Shakes	Ramps to HIGH (100%), decreases to LOW (25%), then decreases to LOW (15%)	:20
28	Ice Cream Drink	Ramps up to MED-LOW (35%), then ramps to MED-HIGH (75%)	:15
29	Small Shake	Ramps up to MED (58%), then decreases to LOW (25%)	:10
30	Hard-To-Blend Shake	Ramps up to MED-HIGH (80%), decreases to MED (51%), then gradually increases to HIGH (100%)	:25
31	General Program 1	Ramps up to HIGH (100%)	:25
32	General Program 2	Slowly ramps up to HIGH (100%)	:45
33	General Program 3	Quickly ramps up to MED (40%), decreases to LOW (15%), then up to HIGH (90%)	:24
34	General Program 4	Quickly ramps up to MED (45%), then gradually increases to MED-HIGH (75%)	:35

# MACHINE ASSEMBLY

## Compact Cover

### Cover Door:

1. The cover door can be removed by opening it until the door is horizontal. Then, gently spread the sides of the door over the round hinges and remove.
2. To reinstall the cover door, gently spread the sides of the door and place the door hinge cutouts over the round hinges.

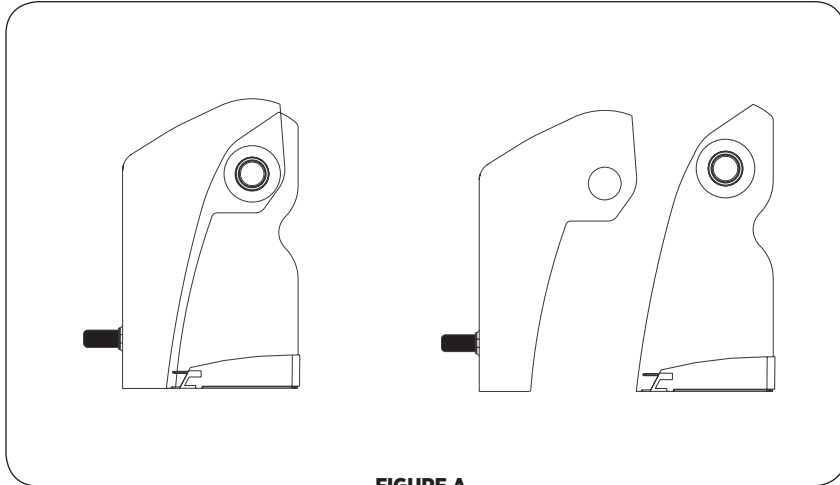


FIGURE A

## IMPORTANT NOTES!

### Containers:

- The Blending Station® Advance® machines are optimized for use with the Vitamix® 48 oz. / 1,4 L Advance® container (3 sided container). The 64 oz. / 2,0 L standard container will not fit in the compact cover used on the Blending Station® Advance®. Contact Vitamix customer service at (800) 886.5235 or contact your distributor for more information.
- Outside the United States and Canada, your machine may come with a different container configuration.

### Back Cover:

1. To remove the back cover:
  - First remove the cover door from the unit as described above.
  - Remove the two back cover mounting screws from the rear of the machine (see Figure B).
  - From the rear of the machine, firmly push the bottom of the cover forward (towards the control panel), keeping the bottom edge of the cover against the motor base. **DO NOT tilt or strike the cover during removal.**
  - Slide forward until the side latches on the front of the cover are released from the motor base (see Figure C). **DO NOT strike the cover to “pop” the side latches from their tracks. Doing so will cause damage. The cover must only be removed by sliding it forward (towards the control panel).**
2. To replace the back cover:
  - Place the back cover on the motor base approximately 1 inch / 2,4 cm forward of its normal position.
  - Slide the cover towards the back of the machine (away from the control panel). **Make sure the side latches slide into their tracks.**
  - Push until back of cover is seated against the motor base (see Figure D). **Make sure the back cover is fully seated in the back and the side latches are in their grooves before inserting and tightening the mounting screws.**
  - Replace and firmly hand-tighten the two back cover mounting screws (see Figure B). **DO NOT over-tighten or use any tools to tighten. DO NOT use the mounting screws to pull the back cover into position. Doing so will cause damage.**

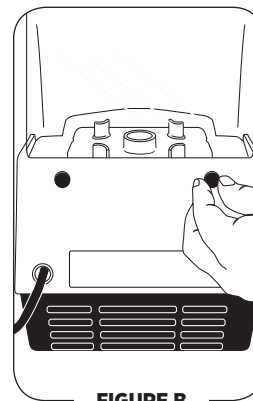


FIGURE B

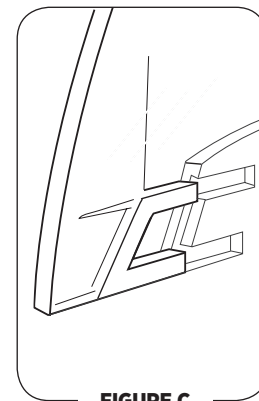


FIGURE C

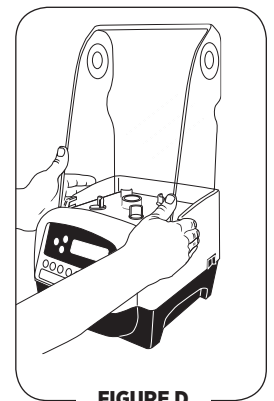


FIGURE D



# MACHINE ASSEMBLY

## Two-Piece Lid (Figure A)

48 oz. / 1,4 L Advance® Container

The two-piece lid is easy to clean and easy to put on, take off and seal.

- To remove a fully latched lid, lift the two tabs and pull upward and off.
- Twist the center lid plug to fasten or remove.

## One-Piece Lid (Figure B)

48 oz. / 1,4 L Advance® Container

The one-piece lid is easy to clean and easy to put on, take off and seal.

- There is no lid plug for this lid.
- Ingredients can be added through port on top.

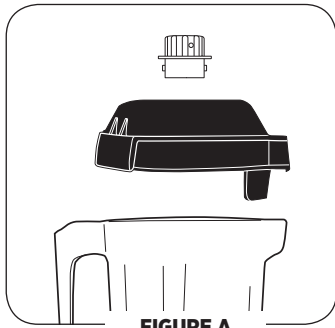


FIGURE A

To secure lid plug, rotate it so one tab locks between the notches on top of rubber lid

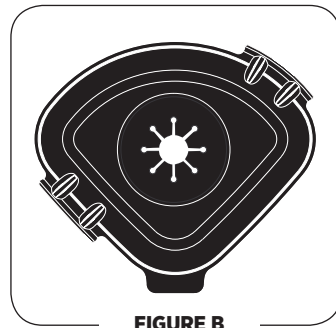
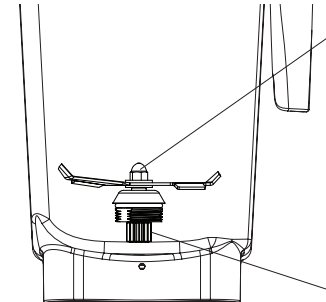


FIGURE B

## Blade Assembly

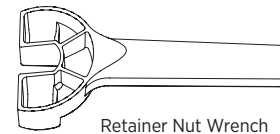


**Blade Agitator Assembly:** The blade assembly includes a precision-hardened stainless steel blade with enclosed double sealed steel ball bearings for maximum durability. The rugged blade assembly literally explodes molecules of food and ice in the container, helping every batch to homogenize more effectively. The blades do not need to be removed for normal cleaning. (Refer to the information below to remove or replace.)

**Drive Spline:** Inserts into drive socket on the motor base to turn the blade.

**Note:** Removing and replacing your container while the coupling is still rotating will strip the drive spline “teeth.” **(This part is NOT removable.)**

**Retainer Nut:** Must be snug. Order the available Retainer Nut Wrench for best results. (Refer to the information below to remove or replace.)



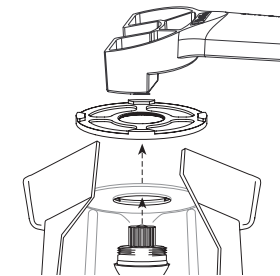
Retainer Nut Wrench

## Blade Assembly Removal

At times, it may be necessary to give your blades additional cleaning. An easy-to-use blade assembly removal wrench (Item #15596) may be purchased. Turn the container upside down and grip firmly. Insert retainer nut wrench in groove of retainer nut and rotate counterclockwise to loosen. Then grip blades with a cloth and remove retainer nut by hand.

**Replacing Blade Assembly:** With the container upside down, grip blades with cloth, insert into the container bottom and align with flat sides of container opening. Place retainer nut on and hand tighten. Using the retainer nut wrench, carefully turn clockwise until secure, using wrench.

**Do not force.** If it is not tight enough, you will notice increased container noise.



Retainer Nut Wrench in use

## ! WARNINGS!

Never use a blade assembly with loose, damaged or nicked components.

**Caution:** Do not remove blades or blade assembly unless absolutely necessary! Never attempt to take the blade assembly itself apart. This will void the warranty.

# INSTALLATION

## In-Counter Machine

### Preparing the counter Area:

- Before cutting holes, make sure that there is adequate clearance under the counter for the motor. The motor will extend about 5.7 in. / 14,4 cm below the counter but it is best to allow at least 10.0 in. / 25,4 cm from the under-counter to shelves or any other equipment under the counter. Also, when using the removable cover design, the back of the hole must be at least 4.3 in. / 10,8 cm from any wall to allow for cover door clearance.
- An extra 4.0 in. / 10,2 cm of open space above the top of the cover will be needed for placement and removal of the In-Counter machine.
- If installing unit into a cabinet with doors, including cabinets with a curtain or extended skirt, a 4.0 in. / 10,2 cm diameter flexible duct (dryer hose) must be used to vent exhaust. Attach the duct to the bottom exhaust by forcing the end of the hose over the exhaust baffle of the unit. Run the duct out of the cabinet for proper ventilation. Multiple units should not vent to a common manifold unit but to separate places with separate vent ducts.
- When cutting holes for placement of multiple In-Counter units, position the edge of the machines at least 12.0 in. / 30,5 cm apart to ensure quick cleaning and proper venting between machines.
- It is recommended that for a 120 V unit In-Counter installation, you have at least one 20 amp outlet per machine under the counter, available within 6 ft. / 1,8 m of the machine. 220 V and 100 V units require a dedicated line. Consult an electrician for proper electrical needs.
- The In-Counter unit also requires a gasket (provided in the machine's original package) to be placed between the machine and the counter.
- Refer to the Blending Station® Advance® In-Counter template (provided in the machine's original package) for detailed installation guidelines and a template.

### ! WARNINGS!

**Do not** vent hose into a wall, ceiling or a concealed space of a building or cabinet.  
**Do not** use hose clamps or equivalent to attach exhaust hose on machine.  
 When removing blender from the counter, always remove the container, cover door and back cover from the machine first. Do not strike the blender when removing from the counter. Do not use the In-Counter gasket on a wooden counter. Discoloration of the counter will occur.

### IMPORTANT NOTES!

Do not use the In-Counter on wooden counter tops. The gasket located between the machine and the counter will leave permanent black marks on wood. The area below the counter must have adequate ventilation to provide air circulation around each motor. This will prolong the life of your machine. If storing powders, mixes, sugars, etc., around the machine, make sure containers are tightly sealed. The intake and exhaust air caused by running the machine will disperse any loose products.

## Gasket Installation Instructions

1. Follow the instructions on page 18 for preparing the counter area for the installation of your In-Counter Blending Station® Advance®. Also, use the Template Sheet (provided in your machine's original package) to assist you in the placement and ventilation of your machine.
2. Unplug the machine. Lay the machine on its back with the motor pointing toward you. Allow 1-2 in. / 3-5 cm of the motor base to hang over the edge of the counter top to facilitate easy fitting of the gasket.
3. Slide the power cord through the gasket, with the groove of the gasket pointing toward the machine base.
4. Starting at one corner of the motor base, press the gasket onto the motor base so that the groove in the gasket seats itself onto the stepped bottom edge of the motor base (see Figure B).
5. Working around the bottom edge of the motor base, press the gasket onto the motor base until the entire perimeter of the gasket is firmly attached to the motor base.
6. Carefully place the machine into the hole in the counter.
7. Be sure that the gasket is properly seated on the motor base and against the counter top.

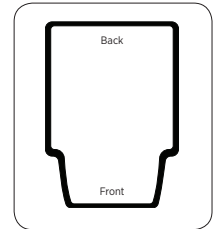


FIGURE A

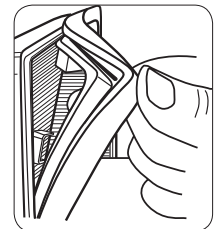
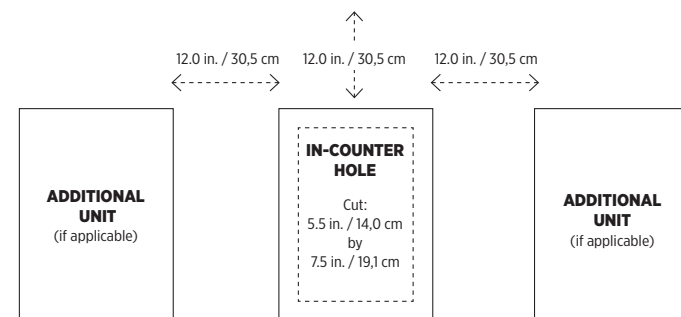


FIGURE B

### ! WARNINGS!

This gasket was designed to protect your machine from water damage and to reduce noise. Failure to properly install this gasket could result in moisture damage. **Do not** secure the machine to the counter with bonding materials.

### Under hanging or wall



\* See page 30 for machine measurements and specifications

**Recommended distance between machines and under hang or wall:**

12.0 in. / 30,5 cm from the edge of each machine or as far apart as possible

## CARING FOR YOUR MACHINE

### Cleaning Products

Solid Supra, Solid Power, \_\_\_\_\_  
Guardian Acclaim, Solid Guardian Plus,  
Solid Super Impact, Solid Insure

Diverpak \_\_\_\_\_  
Eclipse H2, Liqui-Safe L7  
Acclean  
Poly-Brite

Glow MB-1 \_\_\_\_\_  
Lustre NC-25  
Lustre Plus

PSRA 41-D, PSRA 41-E \_\_\_\_\_  
Liqui-Ware 1, Liqui-Ware MC  
D-Flex, Sur-Met

### Rinse Aids

Solid Rinse Dry, Solid Brilliance, \_\_\_\_\_  
Jet Dry, Rinse Dry

### Destainer

NuWare \_\_\_\_\_

### Suppliers in U.S.A.

**Ecolab, Inc.**, St. Paul, MN  
800-352-5326  
www.ecolab.com

**Diversey**, Livonia, MI  
800-521-8140

**Wesmar Company, Inc.**  
Seattle, WA 206-783-5344  
www.wesmar.com

**Anderson Chemical Co.**  
Litchfield, MN  
800-366-2477  
www.andersonchemical.com

**Ecolab, Inc.**, St. Paul, MN  
800-352-5326  
www.ecolab.com

**Diversey**, Livonia, MI  
800-521-8140

**Motor Base/Control Panel:** Unplug the power cord and gently wash the outside surface with a damp soft cotton cloth moistened with a mild solution of warm water\* and nonabrasive detergent or nonabrasive liquid spray cleaner. Be careful to not scratch or scrub the display window on the control panel. **Never immerse motor base in water or other liquid.** Dry with a soft cotton cloth.

**Lid:** Wash in warm, soapy water. Rinse clean under running water and dry.

**Cover Door:** The cover can be removed (see pages 14 and 15) and cleaned by placing under running water and washing with a soft cloth. Wipe dry and replace back on the base.

**In-Counter Gasket and Container Centering Pad:** The In-Counter gasket located between the base and the cover door can be removed for cleaning by simply peeling it off the base after the cover has been removed. (See pages 14 and 15 for cover removal).

Wash the gasket and pad in warm, soapy water. Rinse clean under running water and dry. Reassemble before use. To reinstall the gasket, simply lay it on the base making sure that it fits snugly against the centering pad. Replace the cover as directed on page 15. Make sure the gasket is seated properly against the blender and the centering pad. The gasket and the centering pad should be flat on the motor base.

**Container:** The Advance® container has been designed to be chemical resistant. However, for maximum container life, hand washing is recommended.

**To Clean:** Wash all container parts in warm soapy water. Rinse and drain. Do not soak the blade agitator assembly.\*\*

**To Sanitize:** After all solid residue is removed, fill container ¾ full with a sanitizing solution mix.\*\*\* Return container to motor base and firmly position the two-piece lid. Run machine on a high speed for 30 seconds. Turn machine off and allow mixture to stand in the container for an additional 1 ½ minutes. Pour out bleach mixture. Return container to motor base and run machine empty for an additional 5 seconds. Do not rinse after sanitizing. Allow container to air dry.

### IMPORTANT NOTES!

**Cleaning Products:** Do not use abrasive cleaning agents or concentrated bleach when cleaning. Do not use any cleaners containing quantity sanitizers on polycarbonate components (i.e., Advance® containers, covers). Do not use any of the following cleaning products: automatic dishwashing detergents, oven cleaners, steel wool or other abrasive pads.

**Cover:** Do not wash cover door, handle or back cover in dishwasher. It is recommended that the handle not be disassembled during cleaning. However, if you choose to disassemble the handle from the cover, make sure to not over-tighten it when reattaching it to the cover. Doing so will cause damage.

**Container:** Do not let mixtures, liquids or food products dry in the container. Rinse after use. Dry product may lock around the blade and weaken/tear the bearings seal when restarted. Do not place containers in the freezer. Extremely low temperature combined with hot ingredients and/or the immediate rapid action of the blade may crack the container. Microwaving and automatic dishwashing are not recommended.

### IMPORTANT NOTES!

**Blade Assembly:** Do not soak the blade agitator assembly.

\* Be sure to wring excess water out of cloth or sponge when cleaning around the controls or any electrical part.

\*\* To prolong polycarbonate container life, Vitamix recommends using soaps with a low PH balance, such as a liquid dishwashing detergent (Ivory Liquid®). Due to the nature of polycarbonates, automatic dishwashing is not recommended.

\*\*\* Recommended sanitizing solution: 1.5 tsp. / 7,4 ml institutional or household bleach in 2 qt. / 1,9 L water.

# TROUBLESHOOTING

Problems:	Possible Actions:
<ul style="list-style-type: none"> <li>Loud noise from blender container blade area</li> <li>Container blades do not spin</li> <li>Increased vibration</li> <li>Leaking from bottom of container</li> </ul>	<ol style="list-style-type: none"> <li>Broken or worn drive socket. Replace (Item #891). Instructions are included with part.</li> <li>Check blade assembly for loose, damaged or nicked components and replace.</li> <li>Tighten retainer nut with the retainer nut wrench moving clockwise until it is snug. (See page 17.)</li> </ol>
<ul style="list-style-type: none"> <li>Loud grinding noise from the blender motor</li> </ul>	<p>Damaged motor bearings, your machine may need to be repaired.</p>
<ul style="list-style-type: none"> <li>Machine will not run</li> <li>Display window does not say "Ready"</li> </ul>	<ol style="list-style-type: none"> <li>Double-check to make sure power cord is firmly in power outlet.</li> <li>Check to make sure the On/Off power switch is in the on position.</li> <li>Turn the On/Off power switch to off, then on, to reboot the electronics.</li> </ol>
<ul style="list-style-type: none"> <li>Machine starts then shuts off</li> </ul>	<p>Make sure there is power to the machine.</p>
<ul style="list-style-type: none"> <li>Display window reads "SHUT DOWN SEE MANUAL"</li> </ul>	<p>Let the machine cool for an hour, restart.</p>
<ul style="list-style-type: none"> <li>Display window reads "MOTOR LOCKED PROGRAM TERMINATED"</li> </ul>	<p>Let the machine cool for an hour, restart.</p>
<ul style="list-style-type: none"> <li>Machine is running irregularly</li> <li>"NO PROGRAM" is displayed when a button is pushed</li> <li>Button pressed starts wrong program</li> <li>Machine starts by itself</li> <li>A specific program button is defective</li> <li>Machine does not work when first tried</li> <li>Machine works but no information displayed on screen</li> <li>Program buttons run the blender on the same speed</li> </ul>	<ol style="list-style-type: none"> <li>Turn the machine off and on again to reset the programming.</li> <li>Try plugging the machine into a new outlet.</li> </ol>

Problems:	Possible Actions:
<ul style="list-style-type: none"> <li>Display window reads "CORRUPT DATA"</li> </ul>	<p>Turn the machine off and on again to reset the programming.</p>
<ul style="list-style-type: none"> <li>Display window reads "THERMAL SENSOR FAILURE"</li> </ul>	<p>Call Vitamix technical support.</p>
<ul style="list-style-type: none"> <li>Machine stops in the middle of its blend cycle and resets; display window reads "VITAMIX GENERAL PROGRAM" then "READY"</li> </ul>	<ol style="list-style-type: none"> <li>Plug the machine into its own power supply.</li> <li>Make sure the machine is not running on a long extension cord.</li> </ol>

## Cooling the Motor

### If the machine has overheated:

- The motor will stop and the message "MOTOR HAS OVERHEATED REMOVE THE CONTAINER, THEN PRESS START," will scroll across the display window, while the words "HOT SHUTDOWN" will remain in the display window alerting you of the problem.
- The machine will not run until the container is removed and the motor has cooled. Remove the container, shut the cover door and press the START/STOP button and run the machine for two minutes.
- When the motor is cool, "READY" will appear in the display window.

**If you cannot fix your machine with these suggestions,** technical help is available by calling Vitamix® technical support at (800) 886.5235. If you purchased your equipment outside the U.S.A., contact your local Vitamix Distributor or telephone the Vitamix International Division at +1 (440) 782.2450 or email [international@vitamix.com](mailto:international@vitamix.com) for a distributor in your country. For online help, visit [vitamix.com](http://vitamix.com).

# WARRANTY

## MAINTAINING YOUR VITAMIX BLENDER

In order to maximize the life of and keep your Vitamix® product in good working order, it is important that you follow a few simple maintenance tips:

1. Periodically inspect the drive socket for visible wear and tear, cracks, or breaks to the socket. If damage is found, replace the drive socket with the extra drive socket enclosed with your blender. To purchase additional replacement drive sockets, contact Vita-Mix® Corporation (hereinafter “Vitamix”) at (800) 866.5235 for a dealer near you. For customers outside the U.S.A., contact your authorized Vitamix Distributor, or call the Vitamix International Division at +1 (440) 782.2450 or email international@vitamix.com for a distributor near you.
2. Manually rotate the blade bearing assembly to make sure it turns without hesitation or doesn’t spin too freely. If the blade hesitates or spins too freely, contact Vitamix for warranty information or a dealer near you.
3. Never run the machine without the centering pad properly placed on the base and never remove the container from the base before blending is complete and blades have stopped moving.

## LIMITED WARRANTY *(Unless otherwise covered by Contract)*

Vita-Mix® Corporation (hereinafter “Vitamix”) warrants to the original end-user (“Purchaser”) that its commercial Vitamix blenders (consisting of a motor base, container and lid, hereinafter collectively referred to as the “Equipment”) will be free from defects in material and workmanship for the warranty periods applicable to the Equipment as described herein and subject to the conditions set forth below. Proof of purchase is required.

The following are the sole remedies of the Purchaser and set forth the only warranty obligations of Vitamix.

No employee of Vitamix or any other person is authorized to make any warranty in addition to or amendment of the following warranties.

## WHAT IS COVERED UNDER THE WARRANTY

### A. Motor Base Warranty (which includes the control board and touch pad):

Vitamix warrants to the original end-user that:

- If the motor base fails due to defects in material or workmanship within thirty (30) days from the date of purchase, then Vitamix will replace the motor base with a new motor base.
- If the motor base fails due to defects in material or workmanship after thirty (30) days from the date of purchase but within one (1) year from the date of purchase, then Vitamix will assume the cost of all parts and labor necessary to repair the motor base.
- If the motor base fails due to defects in material or workmanship after the first year but within three (3) years from the date of purchase, then Vitamix will assume the cost of all parts necessary to repair the motor base.

### B. Container, Lid, Lid Plug, Centering Pad, Blade Assembly, Drive Socket,

**and Sound Enclosure Warranty (if included):** Vitamix warrants to the original end-user that if a sound enclosure, container, lid, blade assembly, or drive socket fails due to a defect in materials or workmanship within one (1) year from the date of purchase, Vitamix will assume the cost of all parts and labor necessary to repair the component.

The sole obligation of Vitamix under these warranties is to repair or replace the warranted part or parts as determined exclusively by Vitamix.

**IN NO EVENT, WHETHER BASED ON CONTRACT, INDEMNITY, WARRANTY, TORT (INCLUDING NEGLIGENCE), STRICT LIABILITY OR OTHERWISE, SHALL VITAMIX BE LIABLE FOR ANY SPECIAL, INDIRECT, INCIDENTAL OR CONSEQUENTIAL DAMAGES WHATSOEVER INCLUDING, WITHOUT LIMITATION, LOSS OF PROFIT OR REVENUE. THE ABOVE LIMITED WARRANTY IS YOUR EXCLUSIVE REMEDY, AND YOU AND VITAMIX HEREBY EXPRESSLY DISCLAIM ALL OTHER WARRANTIES OR CONDITIONS, EXPRESS OR IMPLIED, STATUTORY OR OTHERWISE, INCLUDING ANY IMPLIED WARRANTY OF MERCHANTABILITY AND ANY IMPLIED WARRANTY OF FITNESS FOR A PARTICULAR PURPOSE, AND, WITHOUT LIMITING THE GENERALITY OF THE FOREGOING, YOU AND VITAMIX HEREBY EXPRESSLY EXCLUDE, TO THE EXTENT PERMITTED BY LAW, THE APPLICATION OF ANY SALE OF GOODS LEGISLATION AND THE UNITED NATIONS CONVENTION ON CONTRACTS FOR THE INTERNATIONAL SALE OF GOODS, AS MAY BE APPLICABLE.**

Some jurisdictions do not allow a limitation on implied warranties or on special, incidental or consequential damages.

## WHAT IS NOT COVERED UNDER THE WARRANTY *(Coverage Exclusions)*

**These warranties do not include repairs needed due to:**

- A. Normal wear-and-tear;
- B. Abuse, misuse, negligent use;
- C. Alteration of the Equipment including but not limited to the motor base, container, lid or sound enclosure;
- D. Exposure to extreme conditions; or
- E. Improper installation of the Equipment, including but not limited to poor workmanship, not following specifications provided and/or inadequate ventilation of the “In-Counter” models of the blending unit.

## WHEN DO THE WARRANTIES APPLY *(Coverage Conditions)*

The warranties contained herein run only to the original end-user and are not transferable. To make a warranty claim, proof of purchase is required.

Any warranty offered by Vitamix is only valid if used in accordance with: a) the owner’s manual that may also be accessed at vitamix.com; b) the express warranty; and c) any and all maintenance instructions regardless of when they are supplied.

**LIMITED WARRANTY** continues on page 26 ▶

# WARRANTY

## WHAT CAUSES THE WARRANTY TO BE VOID

All product warranties are void if:

- The blender is placed in a sound enclosure not manufactured by Vitamix.
- Any component of a covered piece of Equipment or part has been modified, altered, “reconditioned” or repaired by persons someone other than Vitamix, an authorized Vitamix Service Center or an authorized Vitamix Distributor.
- Any covered Vitamix component is used with a component not expressly authorized in writing by Vitamix (i.e. using a Vitamix container with a non-Vitamix motor base and/or using a Vitamix motor base with a non-Vitamix container); or
- Any part of the blender is improperly installed, including but not limited to poor workmanship, not following specifications provided and/or inadequate ventilation of the “In-Counter” models.

## HOW TO OBTAIN WARRANTY COVERAGE AND REPAIR

**Who to Contact For Warranty Service and Repair:** In the event your Vitamix blender needs service or repair covered by the terms of this warranty, please call Vita-Mix Corporation, an authorized service center or a local distributor for warranty assistance.

- **For Equipment purchased and located in the U.S.A.:**  
Call Vitamix Technical Support: (800) 886.5235.
- **For Equipment purchased outside the continental U.S.A.:**  
Contact your authorized Vitamix Distributor or the Vitamix International Division at +1 (440) 782.2450 or email [international@vitamix.com](mailto:international@vitamix.com) for a distributor near you.

You will be asked to provide proof of purchase for the Equipment. If the remote technical support team cannot fix the Equipment remotely, the Equipment will need to be serviced. The team will help you either locate an authorized service center or arrange for the Equipment to be shipped back to Vitamix.

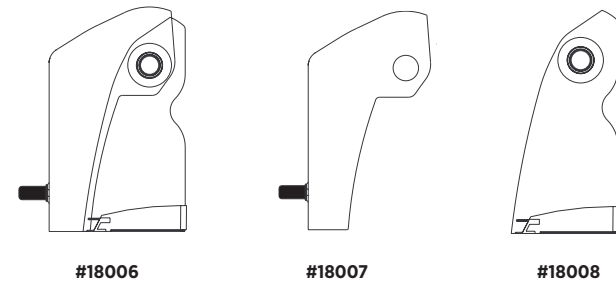
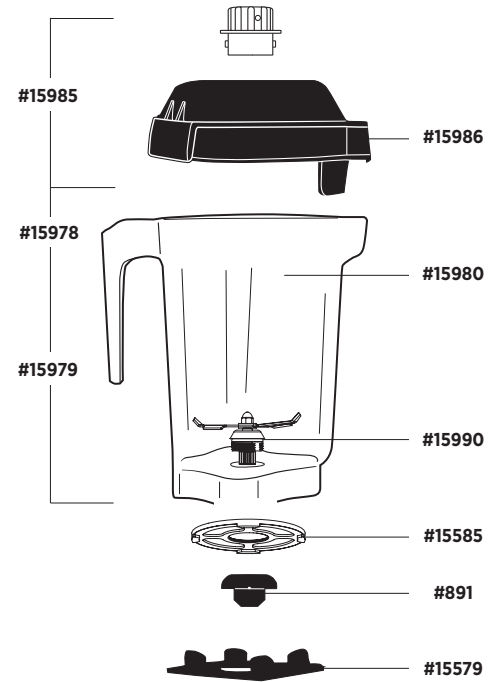
## HOW TO SHIP THE EQUIPMENT TO VITAMIX FOR SERVICE

- A. Obtain a Return Authorization Number Before Shipment.** Do not return or send in Equipment without the approval from Vitamix. Under no circumstances will Vitamix be responsible for the cost of any unauthorized repairs. All Equipment returns must have the Return Authorization Number (“RA”) clearly marked on the outside of the box. Any Equipment that is sent to Vitamix without prior authorization or approval will be returned to the shipper’s address “as is” without repair.
- B. Properly Package The Returned Item.** Any item sent to Vitamix must be sent in original or sufficient packaging.

# PARTS LIST

## Blending Station® Advance®

- #15092** Splash lid for 48 oz. / 1,4 L Advance® container
- #15986** Lid only (no plug) for 48 oz. / 1,4 L Advance® container
- #15985** Two-part lid assembly for 48 oz. / 1,4 L Advance® container
- #15978** 48 oz. / 1,4 L Advance® container, blade assembly & lid assembly
- #15980** 48 oz. / 1,4 L Advance® container only
- #15979** 48 oz. / 1,4 L Advance® container, blade assembly, no lid assembly
- #15990** Advance® blade agitator assembly
- #15585** Retainer nut
- #891** Drive socket
- #15579** Sound-reducing centering pad
- #18006** Compact back cover and cover door with removable hinge design
- #18007** Compact cover door
- #18008** Compact back cover
- #18005** Metal screws with plastic caps, (2)
- #15603** In-Counter gasket



#18005



#15603

### Items Sold Separately:



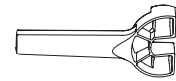
**#15606**  
Software Kit - USB Version



**#15644**  
Extra Programming Chip  
for Software Kit



**#15988**  
One-Piece Lid



**#15596**  
Retainer Nut Wrench

## IMPORTANT NOTES!

- Outside the U.S.A. and Canada, your machine may come with a different container configuration. Contact your local Vitamix Distributor for item numbers
- Other than the drive socket, blade assembly and retainer nut, this unit is not user serviceable.



## SPECIFICATIONS

### Blending Station® Advance®

#### Electrical Requirements:

- 120 V, 50/60 Hz, 15 amps
- Uses a U.S.A. three-prong grounded cord.
- 20 amp outlet per machine is recommended.

#### Do not use extension cords with machine.

- 220 – 240 V, 50/60 Hz, 1300 – 1550 Watts
- 100 V (Japan), 50/60 Hz, 1000 Watts

#### On-Counter Dimensions:

- 19.4 in. / 49,2 cm high with lid closed
- 27.2 in. / 68,9 cm high with lid open
- Depth: 10.5 in. / 26,7 cm with handle
- Width: 9.3 in. / 23,5 cm

#### In-Counter Dimensions:

- 15.0 in. / 38,1 cm high with lid closed
- 22.5 in. / 57,2 cm high with lid open
- Depth: 10.5 in. / 26,7 cm with handle
- Width: 9.0 in. / 23,5 cm
- Depth below counter: 5.7 in. / 14,4 cm

When applicable:



To see the complete line of Vitamix® products, visit [vitamix.com](http://vitamix.com)



#### Vita-Mix® Corporation Commercial Division

8615 Usher Road, Cleveland, Ohio 44138 U.S.A.  
Tel: +1 (440) 235.0214 Email: [commercial@vitamix.com](mailto:commercial@vitamix.com)

©2012 Vita-Mix Corporation. No part of this publication may be reproduced or transmitted in any form or by any means or stored in a database or retrieval system without the written permission of the Vita-Mix Corporation.

Printed in the U.S.A. 102916 12/12

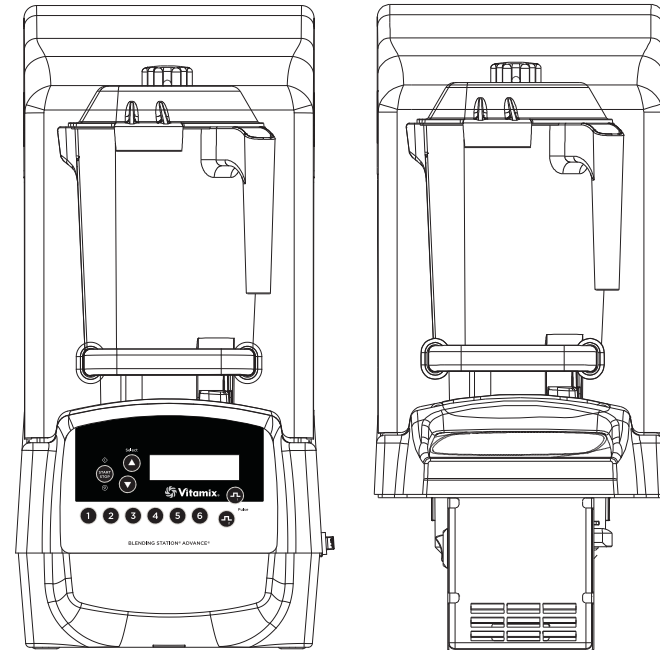


## Blending Station® Advance®

TODOS LOS MODELOS

## Manual de uso y cuidado

Lea y conserve estas instrucciones



DE SOBREMESA

EMPOTRADO

ENGLISH

ESPAÑOL

FRANÇAIS



# CONTENIDO

<b>English</b> .....	<b>1</b>
<b>Español</b> .....	<b>31</b>
<b>Français</b> .....	<b>61</b>
<b>Precauciones Importantes</b> .....	<b>34</b>
<b>Instrucciones Generales</b> .....	<b>36</b>
<b>Panel de Control</b> .....	<b>38</b>
<b>Programación</b> .....	<b>40</b>
Programación de los botones preestablecidos	
Programación con un chip personalizado	
Restablecimiento de los botones preestablecidos	
Opciones de recetas	
<b>Montaje de la Máquina</b> .....	<b>44</b>
Cubierta compacta	
Tapa	
Conjunto de cuchillas	
<b>Instalación</b> .....	<b>48</b>
<b>Cuidado de la Máquina</b> .....	<b>50</b>
<b>Solución de Problemas</b> .....	<b>52</b>
<b>Garantía</b> .....	<b>54</b>
<b>Lista de Piezas</b> .....	<b>58</b>
<b>Especificaciones del Producto</b> .....	<b>60</b>

## PRECAUCIONES IMPORTANTES

1. Lea todas las instrucciones.
2. Para protegerse contra las descargas eléctricas, no coloque la base de motor en agua ni en ningún otro líquido.
3. Si la máquina es utilizada por niños, o se usa cerca de ellos, es necesaria la supervisión por parte de un adulto.
4. Desenchufe el cable eléctrico del tomacorriente mural cuando no utilice la máquina Vitamix®, antes de desmontarla, al colocar o extraer piezas y antes de limpiarla, a menos que desee lavar sólo el vaso.
5. Jamás toque ninguna pieza móvil, especialmente las cuchillas.
6. No haga funcionar ninguna máquina que esté defectuosa, que tenga el cable o el enchufe averiados, que se haya caído o dañado de algún modo. Si adquirió su equipo en EE. UU., llame al Servicio Técnico de **Vitamix al (800) 886.5235** para la revisión, reparación, el posible reemplazo o el ajuste mecánico o eléctrico de la máquina. Si lo adquirió fuera de EE. UU., comuníquese con el distribuidor local autorizado de Vitamix o con la División Internacional de Vitamix llamando al +1 (440) 782.2450, o enviando un correo electrónico a [international@vitamix.com](mailto:international@vitamix.com) para encontrar un distribuidor en su país.
7. No use accesorios no recomendados ni vendidos por Vitamix, ya que anulará la garantía. **No se recomienda alterar ni modificar este producto en modo alguno, ya que ello puede causar lesiones.**
8. **No utilice el producto a la intemperie.**
9. No deje que el cable eléctrico toque superficies calientes ni cuelgue sobre el borde de la mesa ni del mostrador.
10. No coloque la máquina sobre quemadores calientes eléctricos o a gas ni cerca de estos, dentro de un horno calentado ni deje que entre en contacto con superficies calientes. Las fuentes de calor externas pueden dañar la máquina.
11. Mantenga las manos y los utensilios fuera del vaso cuando el motor esté funcionando para evitar posibles lesiones graves y/o daños a la máquina Vitamix. Se puede usar una espátula de goma, pero sólo cuando la máquina no esté funcionando.
12. **ADVERTENCIA: Las cuchillas son filosas. Manipúlelas con cuidado.**
  - Nunca intente quitar las cuchillas si el vaso está puesto en la base de motor.
  - No haga funcionar la máquina con cuchillas sueltas, melladas o dañadas; reemplácelas de inmediato.
  - Para reducir el riesgo de lesiones, nunca coloque el conjunto de cuchillas en la base de motor si el vaso Vitamix no está correctamente instalado.
13. La capacidad máxima equivale a la cantidad de onzas (litros) que aparece en el vaso, por ejemplo, 48 oz. / 1,4 L, y es considerablemente menor con mezclas espesas.
14. **Siempre haga funcionar la máquina Vitamix con la tapa firmemente puesta.**
15. El área de la ventana del visor se rayará si entra en contacto con una esponja u objeto filoso. Utilice un paño suave para limpiar el área del panel de control.
16. No se puede lavar la máquina con un chorro de agua a presión.
17. Para una instalación de 120 V, se recomienda contar con un tomacorriente de 20 amperios como mínimo por máquina, situado a 6 pies / 1,8 m de distancia de la unidad Vitamix. Las unidades de 220 V y 100 V requieren una línea dedicada. **Consulte a un electricista los requisitos eléctricos correctos.**
18. **PRECAUCIÓN:** Apague el suministro eléctrico o desenchufe la máquina antes de tocar las piezas móviles. Apague el interruptor de suministro durante la noche o siempre que la máquina quede sin supervisión.

## Conserve estas instrucciones de seguridad

- El cable eléctrico para EE. UU. de la licuadora Vitamix viene con un enchufe de tres clavijas (con conexión a tierra) que encaja perfectamente en un tomacorriente mural de tres orificios (Figura A). **Fuera de Estados Unidos, este cable variará según el país dado.**
- Se ofrecen adaptadores (Figura B) para tomacorrientes de dos orificios. No corte ni quite la tercera clavija (conexión a tierra) del enchufe ni del cable eléctrico.
- Consulte a un electricista si no sabe con seguridad si el tomacorriente mural está conectado a tierra mediante el cableado del edificio. Con un tomacorriente mural de dos orificios conectado a tierra correctamente, ponga a tierra la máquina empalmando la lengüeta del adaptador a la cubierta del tomacorriente, utilizando el tornillo ubicado en el centro de la cubierta (Figura B).



### ¡ADVERTENCIAS!

En Canadá, no se deben usar adaptadores para tres clavijas.

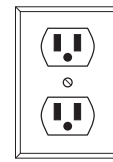


FIGURA A

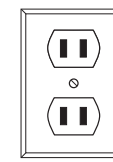
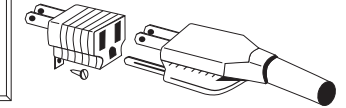


FIGURA B



### ¡NOTAS IMPORTANTES!

Las instrucciones que aparecen en este manual de uso y cuidado no pueden abarcar todas las condiciones y situaciones posibles que puedan presentarse. Use el sentido común y tome las medidas de precaución necesarias al operar y dar mantenimiento a cualquier aparato electrodoméstico.

## INSTRUCCIONES GENERALES

### Instrucciones para usar los botones de programas preestablecidos

A continuación, aparecen los ajustes básicos de los seis botones preestablecidos para la licuadora Blending Station® Advance®. Estos programas, numerados del 1 al 6, son ciclos de licuado diseñados para las bebidas que se preparan con mayor frecuencia. Según la viscosidad de la bebida que desee preparar, al seleccionarse uno de los programas preestablecidos la máquina funcionará durante un ciclo completo. Se detendrá automáticamente al finalizar el ciclo. La duración y la velocidad de los ciclos varían. Las opciones preestablecidas de la máquina pueden diferir debido a las modificaciones del programa o debido a las diferencias en las recetas, también pueden variar los resultados.

**BOTÓN 1:** Licúa bebidas livianas hechas sólo con jugo y hielo. El botón 1 aumentará la velocidad de licuado a velocidad alta (87%) durante 13 segundos. (:13)

**BOTÓN 2:** Licúa bebidas de café liviano. El botón 2 aumentará la velocidad de licuado a velocidad alta durante 18 segundos. (:18)

**BOTÓN 3:** Crea una bebida especial con una viscosidad espesa. El botón 3 aumentará la velocidad de licuado a velocidad alta durante 20 segundos. (:20)

**BOTÓN 4:** Este ciclo es bueno para bebidas de helado y bebidas de café regulares. El botón 4 funciona a velocidad media durante 5 segundos y luego aumenta lentamente a velocidad alta durante 10 segundos. (:15)

**BOTÓN 5:** Licúa un batido regular a velocidad alta. El botón 5 funciona a velocidad media durante 10 segundos y luego aumenta lentamente a velocidad alta durante 10 segundos. (:20)

**BOTÓN 6:** Licúa fruta congelada gruesa e ingredientes duros para obtener un batido espeso pero consistente. El botón 6 funciona a velocidad media durante 10 segundos y luego aumenta lentamente a velocidad alta durante 15 segundos. (:25)

### Consejos para licuar

1. Primero coloque los líquidos y alimentos blandos en el vaso, los ingredientes duros y el hielo se deben introducir al final. Si bien no es necesario para el procesamiento, se recomienda cortar los alimentos en trozos más pequeños para medir los ingredientes en forma más precisa. Se recomienda descongelar parcial o totalmente las frutas.
2. Como regla general, en comparación con otras licuadoras, la máquina Blending Station® Advance® no necesita tanto hielo para hacer bebidas congeladas. Si los ingredientes se congelan, trate de reducir la cantidad de hielo.
3. Coloque el vaso en la base de motor, alineándolo sobre la almohadilla centrante que está sujeta a la base. **(El motor debe estar completamente detenido antes de colocar el vaso).** No se deben usar los vasos con materiales sólidos ni secos. Evite hacer funcionar la máquina con el vaso vacío.
4. Al licuar siempre use una tapa que quede firmemente colocada.
5. Enchufe la máquina al tomacorriente más cercano (si está desenchufada). Coloque el interruptor On/Off (Encendido/Apagado) en la posición de encendido. Seleccione el ajuste programado que desee oprimiendo cualquiera de los botones preestablecidos, numerados del 1 al 6. La máquina comenzará inmediatamente el ciclo siguiendo el programa seleccionado y se apagará cuando éste finalice. **(NOTA: Cada botón tiene una combinación de velocidad y duración diferente preseleccionada para el licuado).**

6. Una vez que se haya oprimido uno de los seis botones de programas preestablecidos, la máquina arrancará y se detendrá automáticamente. Si se oprime otro botón preestablecido, la máquina interrumpirá el ciclo de licuado.
7. La licuadora se detendrá al completarse el ciclo. **Espere hasta que las cuchillas se detengan por completo para quitar la tapa y/o el vaso de la base de motor.**
8. Retire el vaso, vierta el contenido, adórnelo y sirva la bebida.
9. Apague el interruptor On/Off (Encendido/Apagado) cuando no use la unidad.

### Consejos para el mantenimiento

- **Nunca golpee el vaso contra una superficie para aflojar los ingredientes.** Retire el vaso de la base y use una espátula de goma para quitar las mezclas espesas del fondo del vaso.
- **Nunca agite ni haga vibrar el vaso cuando lo esté usando.**
- **Nunca retire el vaso si la máquina no se ha detenido por completo.**
- **Nunca encienda el motor antes de colocar el vaso en su lugar.**



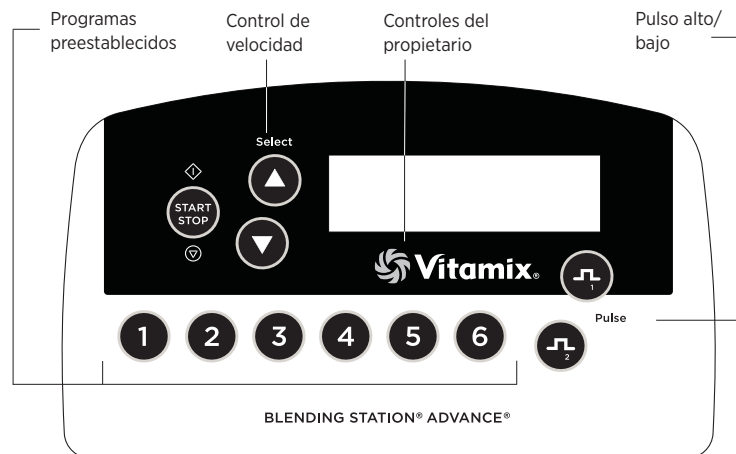
### ¡ADVERTENCIAS!

- Apague el suministro eléctrico o desenchufe la máquina antes de tocar las piezas móviles. Apague el interruptor de suministro durante la noche o siempre que la máquina quede sin supervisión.
- Si detecta un cambio en el sonido de la máquina o si un objeto sólido o extraño entra en contacto con las cuchillas, no sirva el contenido. Examine el conjunto de cuchillas para asegurarse de que no haya piezas sueltas, melladas o faltantes. Si faltan piezas o hay piezas sueltas o melladas, reemplace el conjunto de cuchillas por uno nuevo. (Consulte la página 47).

### ¡NOTAS IMPORTANTES!

- Revise las cuchillas diariamente para asegurarse de que no haya piezas sueltas, melladas o faltantes. Si ve que falta una pieza o bien que hay una pieza suelta o mellada, reemplace el conjunto de cuchillas antes de usar la máquina (consulte la página 47). No apriete el tornillo de cabeza hexagonal (en la parte superior del conjunto de cuchillas). Si está suelto, reemplace inmediatamente el conjunto de cuchillas.
- Las instrucciones que aparecen en este manual de uso y cuidado no pueden abarcar todas las condiciones y situaciones posibles que puedan presentarse. Use el sentido común y tome las medidas de precaución necesarias al operar y dar mantenimiento a cualquier aparato electrodoméstico.
- Todas las unidades cuentan con un protector térmico incorporado que lleva un registro de la temperatura que alcanza el motor y que le indicará al usuario, y finalmente apagará el motor si este se sobrecalienta. De haber sobrecalentamiento, el visor le indicará al usuario que retire el vaso y que haga funcionar la máquina hasta que se enfríe. Este procedimiento tarda unos dos minutos. Para obtener instrucciones completas, consulte la sección "Enfriamiento del motor" en la página 53. Si el protector térmico apaga el motor, repase las técnicas de procesamiento y las instrucciones. Es posible que las recetas sean demasiado espesas o contengan muchos ingredientes. Intente agregar más líquido y consulte al Servicio de Atención al Cliente de Vitamix® o solicite asistencia a su distribuidor local de Vitamix.

## PANEL DE CONTROL



**Interruptor On/Off (Encendido/Apagado):** Se encuentra en el costado de la base de motor y controla el suministro eléctrico de la máquina. Cuando la unidad esté enchufada, encienda el interruptor a fin de preparar la máquina para licuar. Apáguelo durante la noche o siempre que la máquina quede sin supervisión.

**Botón Start ◊/Stop ◉ (Arranque/Parada):** Si se oprime este botón una vez, la máquina se enciende, se pone a funcionar y las cuchillas giran. Oprímalo nuevamente para detener la máquina y las cuchillas.

**Botones de velocidad:** Oprima el ▲ botón para aumentar gradualmente la velocidad en incrementos del 1% hasta el 100%. Oprima el botón ▼ para disminuir gradualmente la velocidad de las cuchillas en incrementos del 1% hasta el 7%. La velocidad del motor se puede cambiar mientras el motor está encendido o apagado. Para cambiar la velocidad con el motor apagado, oprima el ▲ o ▼ los botones hasta alcanzar la velocidad deseada, luego oprima el botón Start/Stop (Arranque/Parada) y la máquina aumentará hasta la velocidad seleccionada. Puede detener el licuado en cualquier momento oprimiendo el botón Start/Stop (Arranque/Parada). Para cambiar la velocidad con el motor encendido, oprima el botón Start/Stop (Arranque/Parada) con el vaso colocado en su lugar. La máquina comenzará a licuar. Mientras la máquina está en funcionamiento, oprima el ▲ o ▼ los botones hasta alcanzar la velocidad deseada. Puede detener el licuado en cualquier momento oprimiendo el botón Start/Stop (Arranque/Parada). La velocidad se usa para establecer la rapidez de licuado de los botones Pulse (Pulso) (consulte las instrucciones en la página 39) y Start/Stop (Arranque/Parada).

**Botones de programas preestablecidos:** Estos botones, numerados del 1 al 6, son ciclos de licuado preprogramados para las bebidas que se preparan con mayor frecuencia. Según la viscosidad de la bebida que desee preparar, al oprimirse uno de los botones de programas preestablecidos la máquina funcionará durante un ciclo completo. Se detendrá automáticamente al finalizar el ciclo. La duración y la velocidad de los ciclos varían; consulte las instrucciones en la página 36 para obtener una descripción completa del margen de cada botón preestablecido. Mediante la programación personalizada cada botón puede reprogramarse para cualquier receta, o bien reprogramarse para cualquiera de las 34 recetas disponibles. En la página 40 encontrará las instrucciones para crear una programación personalizada. Debido a las diferencias en las recetas, pueden variar los resultados.

**Ventana del visor:** Esta área, según el botón que se oprima, muestra una gran variedad de mensajes de operación. El mensaje “Ready” (Listo) aparece cuando la máquina está conectada.

**Controles del propietario:** Se puede acceder a este panel de control oprimiendo el logotipo de Vitamix que se encuentra en el panel de control.

READY

MODE

TEMP COUNT TOTAL  
NORM 25 100

VITA-MIX ADVANCE  
PROGRAM #201

4 TO OVERWRITE  
CURRENT PROGRAM

BUTTON SETUP  
RECIPE 01

- Oprima una vez para ver el mensaje de modo. Oprima el botón 1 y luego el botón 6 dentro de los cinco segundos para continuar. Una vez que se ingrese el código correcto, el visor indicará la temperatura del motor (NORM [NORMAL], WARM [TIBIO] y HOT [CALIENTE]), un conteo del uso y un total. El conteo indica el uso total de uso de la máquina, y se puede restablecer. Se puede usar para llevar un registro de la cantidad de bebidas vendidas en una semana, un día o incluso en una hora. Para borrar, mantenga oprimido el botón Start/Stop (Arranque/Parada) durante 5 segundos. El total lleva un registro del uso de la máquina, que incluye la producción y las pruebas, y no se puede borrar.

- Al oprimirlo dos veces, mostrará el nombre del programa que controla los botones preestablecidos. Si está usando los ajustes Advance, verá el mensaje “VITA-MIX ADVANCE PROGRAM” (PROGRAMA AVANZADO VITA-MIX).

- Al oprimirlo por tercera vez, mostrará una opción para restablecer los botones preestablecidos a los ajustes originales de fábrica.

- Al oprimirlo por cuarta vez, mostrará una opción para reasignar cualquiera de las 34 recetas disponibles en la memoria a alguno de los seis botones preestablecidos.

- Oprima por quinta vez para salir y continuar licuando.

**Botones de pulso:** El pulso aumenta o disminuye la velocidad de las cuchillas al licuar o refrescar una bebida. Oprima el botón  $\overline{\text{Pulse}}$  para aumentar la velocidad del motor en un margen del 51% al 100%. Oprímalo  $\underline{\text{Pulse}}$  para disminuir la velocidad del motor en un margen del 50% al 7%. El botón Pulse (Pulso) anulará el programa en ejecución mientras se mantenga oprimido. Si se suelta, el programa original continuará su ciclo.

- Las velocidades Alta  $\overline{\text{Pulse}}$  y Baja  $\underline{\text{Pulse}}$  del botón Pulse (Pulso) se establecen mediante los botones de Control de velocidad. Para programarlas, mientras mantiene oprimido un botón Pulse (Pulso), presione los botones de Speed Control (Control de velocidad) ▲ o ▼ hasta llegar a la velocidad del motor que desee. La velocidad seleccionada permanecerá en ese ajuste hasta que la vuelva a cambiar mediante dichos botones.

## ¡NOTAS IMPORTANTES!

**Botón Start/Stop (Arranque/Parada):** Si oprime uno de los botones de programas preestablecidos mientras el motor está funcionando, la máquina se detendrá.

**Botón Speed (velocidad):** Estos ajustes se reiniciarán si se apaga el suministro eléctrico.

**ADVERTENCIA:** Espere hasta que las cuchillas se detengan por completo para quitar la tapa y/o el vaso de la base de motor.

## PROGRAMACIÓN

La máquina Blending Station® Advance® viene de fábrica con el programa Advance® optimizado para el vaso Advance®. El programa se puede personalizar usando el panel de control o un chip de programación o el kit de software programador ofrecido por Vitamix®. Llame a su distribuidor o al Servicio de Atención al Cliente para obtener más información.

### Programación de los botones preestablecidos

1. Oprima el botón de Controles del propietario (logotipo de Vitamix®). Aparecerá en el visor el mensaje “MODE” (MODO). Oprima el botón preestablecido 1 y luego el 6. Luego, oprima el logotipo de Vitamix tres veces más. En el visor, aparecerá “BUTTON SET UP” (CONFIGURAR BOTÓN).
2. Oprima los botones de velocidad ▲ o ▼ para desplazarse por los números de “Recetas” hasta llegar a la que desea. (En la página 42, encontrará una descripción de cada receta).
3. Oprima el botón preestablecido que desee programar para la receta seleccionada.

BUTTON SET UP  
RECIPÉ 1

BUTTON SET UP  
RECIPÉ 17

BUTTON SET UP  
RECIPÉ 17----->1

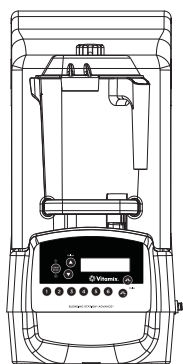
READY

#### Por ejemplo: Si quisiera programar el botón 1 con la receta núm. 17:

1. Después de acceder a los programas almacenados descritos en el paso 1, en la ventana del visor aparecerá “BUTTON SETUP” (CONFIGURAR BOTÓN).
2. Oprima el botón de velocidad ▲ hasta que la pantalla muestre “Recipe 17” (Receta 17).
3. Oprima el botón 1 para aplicar la receta 17.
4. Continúe programando del mismo modo los cinco botones restantes u oprima el botón de pulso para velocidad alta a fin de salir y continuar licuando.

### Programación de la máquina con un chip personalizado

1. Encienda la máquina.
2. **De sobremesa:** Retire el vaso y levante la parte de adelante de la máquina para que pueda ver el puerto de programación.  
**Empotrado:** Retire el vaso y levante la máquina desde los bordes inferiores para ver el motor y el área de la caja. Con la máquina mirando hacia usted, localice la ranura por debajo, en el lado derecho de la máquina, entre el motor y la pared exterior.
3. Ubicado frente a la máquina, introduzca el chip de programación personalizado (con las barras de contacto plateadas y la frase “THIS SIDE FACING TO THE FRONT OF THE MACHINE” [Este lado debe mirar hacia la parte delantera de la máquina] en el puerto ubicado debajo del área etiquetada. Empújelo suavemente hasta que el chip encaje en el puerto. En el visor, aparecerá el mensaje “NEW MODULE” (MÓDULO NUEVO”).



Chip de programación personalizado

4. Dentro de 10 segundos, los seis botones preestablecidos se reprogramarán y en el visor aparecerá el mensaje “Saved” (Guardado) y, luego, “Ready” (Listo).
5. Retire el chip de programación, colóquelo nuevamente en su envase original y guárdelo en un lugar seguro y de fácil acceso.
6. Oprima uno de los seis botones preestablecidos para ver en el visor el nombre del programa o la bebida.
7. **Empotrado:** Con cuidado, vuelva a colocar el motor de la máquina Blending Station® Advance® dentro del orificio en el mostrador.

### Restablecimiento de los botones preestablecidos a los ajustes originales de fábrica

1. Oprima el botón de controles del propietario (logotipo de Vitamix). El mensaje “MODE” (MODO) aparecerá en el visor. Oprima el botón preestablecido 1 y luego el 6. La ventana del visor mostrará “COUNT TEMP TOTAL” (TOTAL DE PLANTILLA DE INSTALACIÓN”).
2. Oprima el logotipo de Vitamix dos veces más para ver las instrucciones sobre cómo restablecer los botones preestablecidos.
3. Mantenga oprimido el botón 4 hasta que en el visor aparezca “RESTORING PLEASE WAIT” (Restaurando espere). Los botones preestablecidos están nuevamente restablecidos a los ajustes originales de fábrica.

### ¡NOTAS IMPORTANTES!

**Chip de programación:** Si se siguen los pasos de programación mencionados anteriormente y la programación personalizada no aparece con el primer ciclo de licuado, gire el chip 180° (déle media vuelta) y vuelva a intentarlo.

# PROGRAMACIÓN

**Opciones de recetas** Dispuestas por número de receta (núm.) y tipo de bebida:

Núm.	TIPO DE BEBIDA	DESCRIPCIÓN	TIEMPO DE EJECUCIÓN
1	Thin Juice Drink (Bebida liviana con jugo)	Aumenta a velocidad ALTA (87%)	:13
2	Light Coffee Drink (Bebida con café liviano)	Aumenta a velocidad ALTA (100%)	:18
3	Thick Specialty Drink (Bebida especial espesa)	Aumenta a velocidad ALTA (100%)	:20
4	Ice Cream & Coffee Drinks (Bebidas con helado y con café)	Aumenta a velocidad MEDIA (50%) durante 5 segundos, luego a ALTA (100%) durante 10 segundos más.	:15
5	Smoothie (Batido)	Aumenta a velocidad MEDIA (50%) durante 10 segundos, luego sube gradualmente a ALTA (100%)	:20
6	Thick Hard-to-Blend Smoothie (Batido espeso difícil de licuar)	Aumenta a velocidad MEDIA (50%) durante 10 segundos, luego sube gradualmente a ALTA (100%)	:25
7	Medium Smoothie (Batido mediano)	Aumenta gradualmente a velocidad ALTA (100%)	:20
8	Hard to Blend Smoothie (Batido difícil de licuar)	Aumenta gradualmente a velocidad ALTA (100%)	:25
9	Thick Smoothie (Batido espeso)	Aumenta a velocidad MED (50%) durante 15 segundos, luego a ALTA (100%) durante 20 segundos más.	:35
10	Mix, Light Juice (Mezcla, jugo liviano)	Funciona a velocidad BAJA (10%)	:04
11	Heavy Smoothie (Batido denso)	Funciona a velocidad MEDIA-ALTA (75%), aumenta, disminuye y luego aumenta a ALTA (100%)	:40
12	Hard to Blend Smoothie (Batido difícil de licuar)	Funciona a velocidad BAJA (7%) durante 25 segundos, aumenta rápidamente a ALTA (100%), luego disminuye a BAJA (7%) y vuelve rápidamente a ALTA (100%)	:40
13	Regular Iced Coffee (Café helado)	Aumenta rápidamente a velocidad ALTA (100%)	:09
14	Double Iced Coffee (Café helado doble)	Aumenta rápidamente a velocidad ALTA (100%)	:13
15	Thick Coffee (Café espeso)	Aumenta a velocidad MEDIA (55%), disminuye gradualmente a BAJA (7%), luego sube rápidamente a ALTA (100%)	:30
16	Multiple Coffees (Múltiples cafés)	Aumenta a velocidad BAJA (25%), luego sube gradualmente a MEDIA (50%), y finalmente a ALTA (100%)	:25

17	Multiple Coffees 2 (Múltiples cafés 2)	Aumenta a velocidad BAJA (25%), luego sube gradualmente a MEDIA (50%) y finalmente a ALTA (100%).	:30
18	Small Coffee (Café pequeño)	Aumenta gradualmente a velocidad MEDIA-ALTA (75%)	:14
19	1-2 Drink Cocktail (Cóctel 1-2)	Aumenta a velocidad ALTA (90%)	:13
20	3-4 Drink Cocktail (Cóctel 3-4)	Aumenta a velocidad MEDIA (45%), luego a ALTA (100%)	:25
21	Kids Cup (Bebida para niños)	Comienza con velocidad MEDIA (55%), disminuye a BAJA (7%) y luego aumenta a ALTA (100%)	:30
22	Bar Shake (Malteada de bar)	Aumenta gradualmente a velocidad ALTA (100%)	:25
23	Bar Special (Especial de bar)	Aumenta a velocidad MEDIA (58%), disminuye a BAJA (22%), luego sube gradualmente a ALTA (100%).	:35
24	Utility Blend (Mezcla general)	Aumenta a velocidad MEDIA (40%), luego sube gradualmente a MEDIA-ALTA (75%).	:25
25	1 Shake (Malteada 1)	Aumenta a velocidad MEDIA (50%), disminuye a BAJA (25%), luego disminuye gradualmente a BAJA (15%).	:20
26	2 Shakes (2 malteadas)	Aumenta a velocidad MEDIA (50%), disminuye a BAJA (25%), luego disminuye gradualmente a BAJA (17%).	:30
27	3 Shakes (3 malteadas)	Aumenta a velocidad ALTA (100%), disminuye a BAJA (25%), y sigue disminuyendo a BAJA (15%).	:20
28	Ice Cream Drink (Bebida de helado)	Aumenta a velocidad MEDIA-BAJA (35%), luego sube a MEDIA-ALTA (75%)	:15
29	Small Shake (Malteada pequeña)	Aumenta a velocidad MEDIANA (58%), luego disminuye a BAJA (25%)	:10
30	Hard to Blend Shake (Malteada difícil de licuar)	Aumenta a velocidad MEDIA-ALTA (80%), disminuye a MEDIA (51%), luego sube gradualmente a ALTA (100%)	:25
31	General Program 1 (Programa general 1)	Aumenta a velocidad ALTA (100%)	:25
32	General Program 2 (Programa general 2)	Aumenta lentamente a velocidad ALTA (100%)	:45
33	General Program 3 (Programa general 3)	Aumenta rápidamente a velocidad MEDIA (40%), disminuye a BAJA (15%), luego sube a ALTA (90%)	:24
34	General Program 4 (Programa general 4)	Aumenta rápidamente a velocidad MEDIA (45%), luego sube gradualmente a MEDIA-ALTA (75%)	:35



# MONTAJE DE LA MÁQUINA

## Cubierta compacta

### Puerta de la cubierta:

1. La puerta de la cubierta se puede retirar abriéndola hasta que quede en posición horizontal. Luego extienda suavemente los lados de la puerta sobre las bisagras redondas y sáquela.
2. Para volver a colocar la puerta de la cubierta, extienda suavemente los lados de sus lados y coloque las hendiduras de las bisagras de la puerta sobre las bisagras redondas.

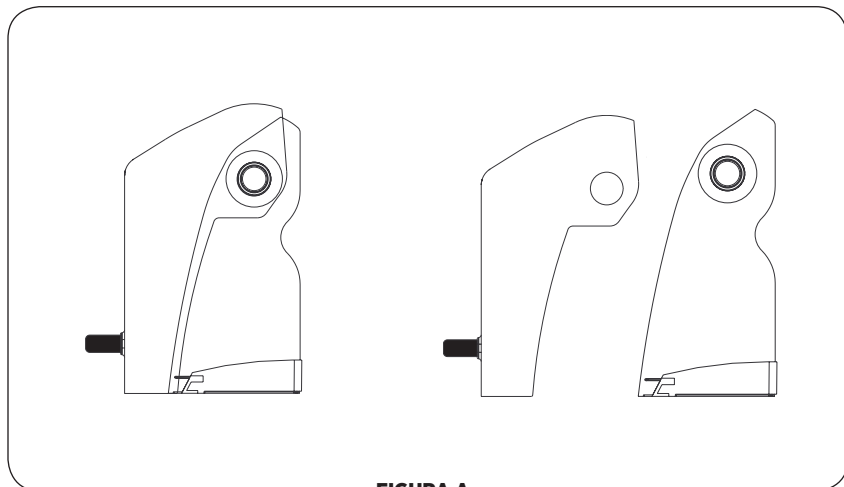


FIGURA A

## ¡NOTAS IMPORTANTES!

### Vasos:

- Las máquinas Blending Station® Advance® están diseñadas para optimizar su uso con el vaso de 48 oz. / 1,4 L Advance® (vaso de 3 lados) de Vitamix®. El vaso estándar de 64 oz. / 2,0 L no cabe en la cubierta compacta de la máquina Blending Station® Advance®. Llame al Servicio de Atención al Cliente de Vitamix al (800) 886.5235 o a su distribuidor para obtener más información.
- Fuera de Estados Unidos y Canadá, es posible que la máquina venga con una configuración de vaso diferente.

### Cubierta posterior:

1. Para quitar la cubierta posterior:
  - Primero quite la puerta de la cubierta de la unidad tal como se describe anteriormente.
  - Quite los dos tornillos de montaje de la cubierta posterior de la parte trasera de la máquina (consulte la Figura B).
  - Desde la parte posterior de la máquina, empuje firmemente la parte inferior de la cubierta hacia adelante (hacia el panel de control) y mantenga el borde inferior de la cubierta contra la base de motor. **NO incline ni golpee la cubierta durante su retiro.**
  - Deslícela hacia adelante hasta que los pestillos laterales de la parte delantera de la cubierta se suelten de la base de motor (consulte la Figura C). **NO golpee la cubierta para “disparar” los pestillos laterales de sus vías. De esta manera los dañará. La cubierta solamente debe quitarse al deslizarla hacia adelante (hacia el panel de control).**
2. Para reemplazar la cubierta posterior:
  - Coloque la cubierta posterior en la base de motor, aproximadamente, 1 pulgada / 2,4 cm adelante de su posición normal.
  - Deslice la cubierta hacia la parte posterior de la máquina (lejos del panel de control). **Asegúrese de que los pestillos laterales se deslicen por sus vías.**
  - Empuje hasta que la parte posterior de la cubierta esté asentada contra la base de motor (consulte la Figura D). **Asegúrese de que la cubierta posterior esté completamente asentada en la parte posterior y que los pestillos laterales estén en sus muescas antes de colocar y ajustar los tornillos de montaje.**
  - Reemplace y ajuste firmemente a mano los dos tornillos de montaje de la cubierta posterior (consulte la Figura B). **NO apriete excesivamente los tornillos ni use ninguna herramienta para ajustarlos. NO use los tornillos de montaje para colocar la cubierta posterior en posición. De esta manera los dañará.**

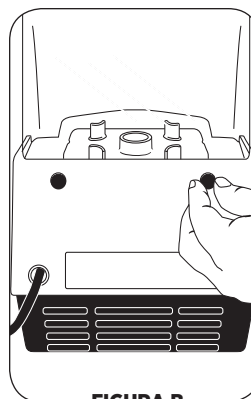


FIGURA B

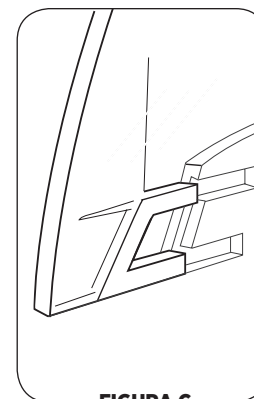


FIGURA C

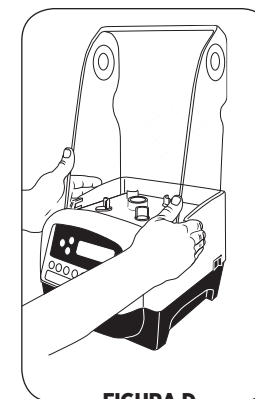


FIGURA D

## MONTAJE DE LA MÁQUINA

### Tapa de dos piezas (Figura A)

Vaso de 48 oz. / 1,4 L Advance®

La tapa de dos piezas se puede limpiar, colocar, retirar y sellar fácilmente.

- Para retirar una tapa completamente cerrada con pestillo, levante las dos lengüetas y jale hacia arriba y hacia afuera.
- Gire el tapón del medio de la tapa para afianzarlo o quitarlo.

### Tapa de una pieza (Figura B)

Vaso de 48 oz. / 1,4 L Advance®

La tapa de una pieza se puede limpiar, colocar, retirar y sellar fácilmente.

- Esta tapa no tiene tapón.
- Los ingredientes pueden agregarse por el orificio situado en la parte superior.

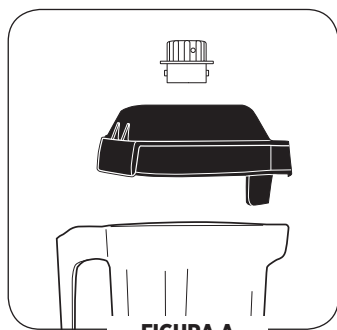


FIGURA A

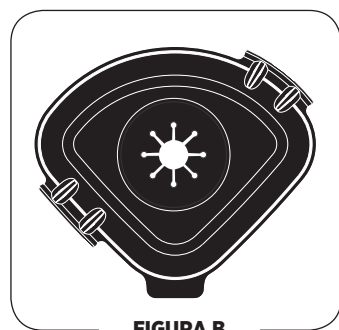
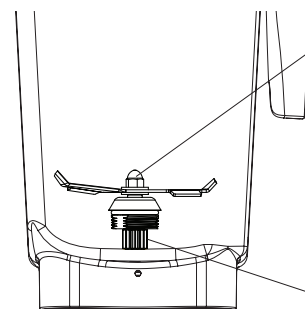


FIGURA B

Para asegurar el tapón de la tapa, gírelo de manera que una de las lengüetas se bloquee entre las muescas en la parte superior de la tapa de goma.

### Conjunto de cuchillas

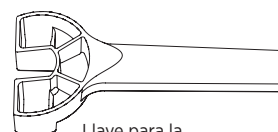


**Conjunto del agitador de cuchillas:** El conjunto de cuchillas incluye cuchillas de precisión de acero inoxidable templado con cojinetes esféricos de acero doblemente sellados y encapsulados para una máxima durabilidad. El resistente conjunto de cuchillas literalmente hace explotar las moléculas de los alimentos y del hielo en el vaso, ayudando así a homogeneizar la mezcla con más eficacia. No es necesario retirar las cuchillas para la limpieza normal. (Consulte la información a continuación sobre la extracción o colocación de elementos).



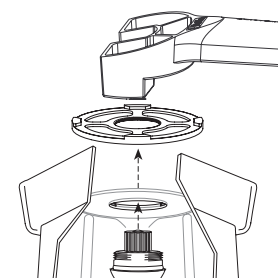
**Eje estriado motriz:** Encaja en el acople en la base de motor para girar las cuchillas.

**Nota:** Si retira y vuelve a colocar el vaso mientras el acoplamiento aun está girando, estropeará los “dientes” del eje motriz. **(Esta pieza NO es desmontable).**



Llave para la tuerca de sujeción

**Tuerca de sujeción:** Debe estar ajustada. Pida la llave para la tuerca de sujeción a fin de obtener mejores resultados. (Consulte la información a continuación sobre la extracción o colocación de elementos).



Llave para la tuerca de sujeción en uso

### Retiro del conjunto de cuchillas

A veces, es posible que deba limpiar más a fondo las cuchillas. Puede comprar la llave de uso fácil para extraer el conjunto de cuchillas (artículo núm. 15596). Invierta el vaso y sujételo con firmeza. Introduzca la llave para la tuerca de sujeción en la muesca de la tuerca y gírela en sentido antihorario para aflojarla. Luego sujete las cuchillas con un paño y retire la tuerca con la mano.

**Colocación del conjunto de cuchillas:** Con el vaso invertido, sujete las cuchillas con un paño, introdúzcalas en la parte inferior del vaso y alinéelas con los lados planos de la abertura del vaso.

Coloque la tuerca de sujeción y apriétela con la mano. Gírela con cuidado en sentido horario hasta afianzarla con la llave.

**No la fuerce.** Si no está suficientemente apretada, notará que el vaso hace más ruido.



### ¡ADVERTENCIAS!

Nunca use el conjunto de cuchillas con componentes sueltos, dañados o mellados.

**Precaución:** ¡No retire las cuchillas ni el conjunto de cuchillas a menos que sea absolutamente necesario! Nunca intente desmontar el conjunto de cuchillas. Esto anulará la garantía.



# INSTALACIÓN

## Máquina empotrada

### Preparación del área del mostrador:

- Antes de hacer los orificios, asegúrese de que haya un espacio adecuado debajo del mostrador para el motor. El motor ocupará, aproximadamente, 5,7 pulg. / 14,4 cm debajo del mostrador, pero es mejor dejar un espacio de, al menos, 10,0 pulg. / 25,4 cm entre el mostrador y las repisas u otro equipo bajo el mostrador. Además, al usar el diseño con cubierta desmontable, el espacio detrás del orificio debe estar, por lo menos, a 4,3 pulg. / 10,8 cm de toda pared con el objeto de que haya lugar para abrir la puerta de la cubierta.
- Se necesitará un espacio abierto adicional de 4,0 pulg. / 10,2 cm sobre la parte superior de la cubierta para la instalación y el retiro de la máquina empotrada.
- Si va a instalar la unidad en un armario con puertas, cortina o faldón extendido, debe usar un tubo flexible (manguera de secadora) con diámetro de 4,0 pulg. / 10,2 cm para la ventilación. Conecte el tubo al escape de la base encajando el extremo de la manguera en el deflector de escape de la unidad. Instale el tubo hacia afuera del armario para que haya ventilación apropiada. Si hay múltiples unidades instaladas, éstas no deben ventilarse hacia un sistema de múltiple común sino hacia diferentes lugares mediante tubos de ventilación individuales.
- Si va a hacer orificios para instalar varias unidades empotradas, coloque los bordes de las máquinas a una distancia de, al menos, 12,0 pulg. / 30,5 cm, a fin de garantizar una limpieza rápida y una ventilación apropiada entre las unidades.
- Para la instalación empotrada de una unidad de 120 V, se recomienda contar con un tomacorriente de 20 amperios como mínimo por máquina bajo el mostrador, a 6 pies / 1,8 m de distancia de la máquina. Las unidades de 220 V y 100 V requieren una línea dedicada. Consulte con un electricista los requisitos eléctricos correctos.
- La unidad empotrada requiere además una junta (viene en el embalaje original de la máquina) que debe colocarse entre la máquina y el mostrador.
- Consulte la plantilla de instalación empotrada de la licuadora Blending Station® Advance® (viene en el embalaje original de la máquina) para obtener las pautas de instalación detalladas y una plantilla.

### ¡ADVERTENCIAS!

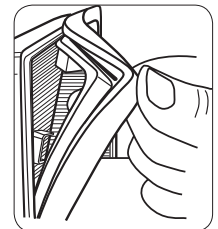
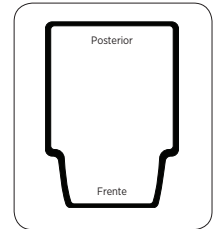
- **No** ventile la manguera hacia el interior de una pared, el techo, ni un espacio oculto de un edificio o armario.
- **No** use abrazaderas de manguera ni accesorios afines para conectar la manguera de escape a la máquina. Cuando retire la licuadora del mostrador, hágalo siempre quitando primero el vaso, la puerta de la cubierta y la cubierta posterior. No golpee la licuadora mientras la retira del mostrador. No use la junta para instalación empotrada en un mostrador de madera, ya que lo decolorará.

### ¡NOTAS IMPORTANTES!

No use el modelo empotrado en mesas de madera. La junta situada entre la máquina y el mostrador dejará marcas negras permanentes en la madera. El área debajo del mostrador debe tener ventilación adecuada para proporcionar circulación de aire alrededor de cada motor. Esto prolongará la vida útil de la máquina. Si almacena polvos para cocinar, mezclas, azúcares, etc., asegúrese de que los envases estén bien sellados. La entrada y salida de aire provocada por el funcionamiento de la máquina dispersará todo producto suelto.

## Instrucciones de instalación de las juntas

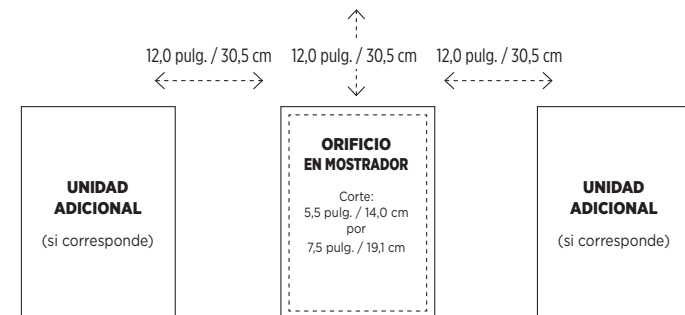
1. Siga las instrucciones de la página 48 para preparar el área del mostrador para la instalación de su licuadora Empotrada Blending Station® Advance®. Además, use la hoja de la plantilla (proporcionada en el envase original de su máquina) para ayudarlo en la colocación y la ventilación de su máquina.
2. Desenchufe la máquina. Coloque la máquina patas para arriba con el motor hacia usted. Deje de 1 a 2 pulg. / 3 a 5 cm de la base de motor para colgarlo sobre el borde de la parte superior del mostrador para facilitar el ajuste de la junta.
3. Deslice el cable eléctrico a través de la junta, con la muesca de la junta apuntando hacia la base de la máquina.
4. Desde una esquina de la base de motor, presione la junta en la base de motor, de manera tal que la ranura en la junta se asiente en el borde inferior apuntado de la base de motor (consulte la Figura B).
5. En el borde inferior de la base de motor, presione la junta en la base de motor hasta que todo el perímetro de la junta esté bien conectado a la base de motor.
6. Coloque cuidadosamente la máquina en el orificio en el mostrador.
7. Asegúrese de que la junta esté bien asentada en la base de motor y contra la parte superior del mostrador.



### ¡ADVERTENCIAS!

Esta junta fue diseñada para proteger a su máquina del daño ocasionado por el agua y para reducir el ruido. No instalar la junta adecuadamente podría producir daños a causa de la humedad. **No** asegure la máquina al mostrador con materiales adhesivos.

### Espacio por debajo de la máquina o pared



\* Consulte la página 60 para ver las medidas y especificaciones de la máquina.

**Distancia recomendada entre las máquinas y espacio por debajo del aparato o a la pared:**  
12,0 pulg. / 30,5 cm desde el borde de cada máquina o lo más alejadas posible.

## CUIDADO DE LA MÁQUINA

### Productos de limpieza

Solid Supra, Solid Power, \_\_\_\_\_  
Guardian Acclaim, Solid Guardian Plus,  
Solid Super Impact, Solid Insure

Diverpak \_\_\_\_\_  
Eclipse H2, Liqui-Safe L7  
Acclean  
Poly-Brite

Glow MB-1 \_\_\_\_\_  
Lustre NC-25  
Lustre Plus

PSRA 41-D, PSRA 41-E \_\_\_\_\_  
Liqui-Ware 1, Liqui-Ware MC  
D-Flex, Sur-Met

### Agentes de enjuague

Solid Rinse Dry, Solid Brilliance, \_\_\_\_\_  
Jet Dry, Rinse Dry

### Desmanchador

NuWare \_\_\_\_\_

### Proveedores en los EE. UU.

**Ecolab, Inc.**, St. Paul, MN  
800-352-5326  
www.ecolab.com

**Diversey**, Livonia, MI  
800-521-8140

**Wesmar Company, Inc.**  
Seattle, WA 206-783-5344  
www.wesmar.com

**Anderson Chemical Co.**  
Litchfield, MN  
800-366-2477  
www.andersonchemical.com

**Ecolab, Inc.**, St. Paul, MN  
800-352-5326  
www.ecolab.com

**Diversey**, Livonia, MI  
800-521-8140

### ¡NOTAS IMPORTANTES!

**Productos de limpieza:** No use agentes limpiadores abrasivos ni blanqueador concentrado para limpiar. No use limpiadores que contengan desinfectantes cuaternarios sobre los componentes de policarbonato (por ej., los vasos Advance® y las cubiertas). No use ninguno de los siguientes productos de limpieza: detergentes para lavavajillas automáticos, limpiadores de hornos, lana de acero ni ninguna esponja abrasiva.

**Cubierta:** No lave la puerta de la cubierta, el mango ni la cubierta posterior en el lavavajillas. No se recomienda desmontar el mango durante la limpieza. Sin embargo, si decide retirarlo de la cubierta, cerciórese de no apretarlo excesivamente al volver a colocarlo en la cubierta, ya que ocasionará daños.

**Vaso:** No deje que las mezclas, los líquidos ni los alimentos se sequen en el vaso. Enjuáguelo después de usarlo. Los productos secos pueden bloquear las cuchillas y debilitar o menoscabar los sellos de los cojinetes cuando se vuelve a encender la máquina. No ponga los vasos en el congelador. Las temperaturas extremadamente bajas combinadas con ingredientes calientes y/o la acción rápida e inmediata de las cuchillas puede agrietar el vaso. No se recomienda usar el vaso en un horno microondas ni lavarlo en un lavavajillas automático.

**Base de motor/Panel de control:** **Desenchufe el cable eléctrico** y lave cuidadosamente la superficie externa con un paño de algodón humedecido en una solución suave de agua tibia\* y detergente no abrasivo o un limpiador líquido no abrasivo en aerosol. Tenga cuidado de no rayar ni fregar la ventana del visor en el panel de control.

**Nunca sumerja la base de motor en agua ni en ningún otro líquido.** Séquelos con un paño suave de algodón.

**Tapa:** Lávela con agua tibia y detergente. Enjuáguela debajo de agua corriente y séquela.

**Puerta de la cubierta:** La cubierta se puede retirar (consulte las páginas 44 y 45) y limpiar colocándola debajo de agua corriente y lavándola con un paño suave. Séquela con un paño y vuelva a colocarla en la base.

**Junta empotrada y almohadilla centrante del vaso:** La junta empotrada situada entre la base y la puerta de la cubierta se puede retirar para limpiarla simplemente desprendiéndola de la base tras haberse retirado la cubierta. (Consulte las páginas 44 y 45 para retirar la cubierta).

Lave la junta y la almohadilla con agua tibia y detergente. Enjuáguelas debajo de agua corriente y séquelas. Vuelva a montarlas antes de usar la máquina. Para volver a instalar la junta, simplemente colóquela en la base cerciorándose de que encaje bien contra la almohadilla centrante. Reemplace la cubierta tal como se indica en la página 45. Asegúrese de que la junta quede asentada correctamente contra la licuadora y la almohadilla centrante. La junta y la almohadilla centrante deben quedar planas sobre la base de motor.

**Vaso:** El vaso Advance® ha sido diseñado para ser químicamente resistente. Sin embargo, para maximizar su vida útil, se recomienda lavarlo a mano.

**Para limpiarlo:** Lave todas las piezas del vaso con agua tibia y detergente. Enjuáguelas y drénelas. No ponga en remojo el conjunto del agitador de cuchillas.\*\*

**Para desinfectarlo:** Si no quedan residuos sólidos, llene  $\frac{3}{4}$  partes del vaso con una mezcla desinfectante.\*\*\* Vuelva a ubicar el vaso en la base de motor y coloque firmemente la tapa de dos piezas. Haga funcionar la máquina durante 30 segundos a alta velocidad. Apague la máquina y deje que la mezcla repose en el vaso durante 1 minuto y  $\frac{1}{2}$  más. Vacíe la mezcla de blanqueador. Vuelva a colocar el vaso en la base de motor y haga funcionar la máquina vacía durante 5 segundos más. No enjuague tras desinfectarlo. Deje que el vaso se seque al aire libre.

### ¡NOTAS IMPORTANTES!

**Conjunto de cuchillas:** No ponga en remojo el conjunto del agitador de cuchillas.

\* Cerciórese de estrujar el exceso de agua del paño o la esponja cuando limpie los controles o alguna pieza eléctrica.

\*\* Para prolongar la vida útil del vaso de policarbonato, Vitamix recomienda usar detergentes con un equilibrio de pH bajo, como el detergente líquido para vajilla (Ivory Liquid®). Debido a la naturaleza de los policarbonatos, no se recomienda lavar el vaso en un lavavajillas automático.

\*\*\* Solución desinfectante recomendada: 1,5 cucharadita / 7,4 ml de blanqueador de uso institucional o doméstico en 2 ct / 1,9 L de agua.

## SOLUCIÓN DE PROBLEMAS

Problemas:	Soluciones:
<ul style="list-style-type: none"> <li>Ruido fuerte proveniente del área de las cuchillas del vaso de la licuadora</li> <li>Las cuchillas del vaso no giran</li> <li>Aumento de la vibración</li> <li>Fugas desde el fondo del vaso</li> </ul>	<ol style="list-style-type: none"> <li>Acople roto o desgastado. Reemplácelo (artículo núm. 891). Las instrucciones vienen incluidas con la pieza.</li> <li>Revise el conjunto de cuchillas por si hay componentes sueltos, dañados o mellados, y reemplácelos.</li> <li>Apriete la tuerca de sujeción girando en sentido horario la llave para dicha tuerca. (Consulte la página 47).</li> </ol>
<ul style="list-style-type: none"> <li>Fuertes chirridos provenientes del motor de la licuadora</li> </ul>	Cojinetes del motor dañados, es posible que deba reparar la máquina.
<ul style="list-style-type: none"> <li>La máquina no funciona</li> <li>El visor no muestra el mensaje "Ready" (Listo)</li> </ul>	<ol style="list-style-type: none"> <li>Vuelva a verificar que el cable eléctrico esté bien enchufado al tomacorriente.</li> <li>Verifique para asegurarse de que el interruptor On/Off (Encendido/Apagado) esté en la posición de encendido.</li> <li>Apague el interruptor On/Off (Encendido/Apagado), luego enciéndalo para reiniciar los ajustes electrónicos.</li> </ol>
<ul style="list-style-type: none"> <li>La máquina arranca y después se apaga</li> </ul>	Cerciórese de que la máquina reciba suministro eléctrico.
<ul style="list-style-type: none"> <li>El visor muestra el mensaje "SHUT DOWN SEE MANUAL" (APAGUE LA MÁQUINA, CONSULTE EL MANUAL)</li> </ul>	Deje que la máquina se enfríe durante una hora, luego vuelva a arrancarla.
<ul style="list-style-type: none"> <li>El visor muestra el mensaje "MOTOR LOCKED PROGRAM TERMINATED" (MOTOR BLOQUEADO, PROGRAMA TERMINADO)</li> </ul>	Deje que la máquina se enfríe durante una hora, luego vuelva a arrancarla.
<ul style="list-style-type: none"> <li>La máquina funciona en forma irregular</li> <li>Se visualiza el mensaje "NO PROGRAM" (NO HAY PROGRAMA) cuando se presiona un botón</li> <li>El botón oprimido inicia el programa equivocado</li> <li>La máquina arranca sola</li> <li>El botón de un programa específico está defectuoso</li> <li>La máquina no funcionó la primera vez que se intentó encenderla</li> <li>La máquina funciona, pero no hay información en el visor</li> <li>Los botones de programas hacen funcionar la licuadora a la misma velocidad</li> </ul>	<ol style="list-style-type: none"> <li>Apague la máquina y vuelva a encenderla para reiniciar la programación.</li> <li>Intente enchufar la máquina en otro tomacorriente.</li> </ol>

Problemas:	Soluciones:
<ul style="list-style-type: none"> <li>El visor muestra el mensaje "CORRUPT DATA" (DATOS CORRUPTOS)</li> </ul>	Apague la máquina y vuelva a encenderla para reiniciar la programación.
<ul style="list-style-type: none"> <li>La ventana del visor muestra el mensaje "THERMAL SENSOR FAILURE" (FALLA EN EL SENSOR TÉRMICO)</li> </ul>	Llame al Servicio Técnico de Vitamix.
<ul style="list-style-type: none"> <li>La máquina se detiene y se reinicia en el medio de su ciclo de licuado; el visor muestra el mensaje "VITAMIX GENERAL PROGRAM" (PROGRAMA GENERAL DE VITAMIX) y, luego el mensaje "READY" (LISTO)</li> </ul>	<ol style="list-style-type: none"> <li>Enchufe la máquina en su propio suministro eléctrico.</li> <li>Cerciórese de que la máquina no esté conectada a un cable de extensión largo.</li> </ol>

## Cómo enfriar el motor

### Si la máquina está sobrecalentada:

- El motor se detendrá y a lo largo del visor se desplazará el mensaje "MOTOR HAS OVERHEATED REMOVE THE CONTAINER, THEN PRESS START" (EL MOTOR ESTÁ SOBRECALENTADO, RETIRE EL VASO Y OPRIMA START [ARRANQUE]), mientras que la frase "HOT SHUTDOWN" (APAGADO POR ALTA TEMPERATURA) permanecerá en el visor advirtiéndole sobre el problema.
- La máquina no funcionará hasta que se retire el vaso y el motor se haya enfriado. Retire el vaso, cierre la puerta de la cubierta, oprima el botón START/STOP (Arranque/Parada) y haga funcionar la máquina durante dos minutos.
- Cuando el motor esté frío, aparecerá en el visor el mensaje "READY" (LISTO).

**Si no puede reparar la máquina con estas sugerencias**, obtenga ayuda experta llamando al Servicio Técnico de Vitamix® al (800) 886.5235. Si la adquirió fuera de EE. UU., comuníquese con el distribuidor local de Vitamix o con la División Internacional de Vitamix llamando al +1 (440) 782.2450, o enviando un correo electrónico a [international@vitamix.com](mailto:international@vitamix.com) para encontrar un distribuidor en su país. Para obtener ayuda en línea, visite [vitamix.com](http://vitamix.com).

# GARANTÍA

## MANTENIMIENTO DE LA LICUADORA VITAMIX

Para maximizar la vida útil del producto Vitamix® y mantenerlo en buen estado, es importante que siga unos cuantos consejos sencillos de mantenimiento:

1. Inspeccione periódicamente el acople por si presenta deterioro, grietas o roturas. Si está dañado, reemplácelo por el acople de repuesto que viene con la licuadora. Si desea adquirir acoples de repuesto adicionales, comuníquese con Vita-Mix® Corporation (en adelante, "Vitamix") llamando al (800) 866-5235 para encontrar un vendedor en su localidad. Los clientes que viven fuera de EE. UU. pueden comunicarse con el distribuidor autorizado de Vitamix o con la División Internacional de Vitamix llamando al +1 (440) 782-2450 o enviando un correo electrónico a [international@vitamix.com](mailto:international@vitamix.com) para encontrar un distribuidor cerca de su domicilio.
2. Gire manualmente el conjunto de cojinetes de las cuchillas para cerciorarse de que rote sin vacilar o no gire demasiado libremente. Si las cuchillas vacilan o giran demasiado libremente, comuníquese con Vitamix para obtener información sobre la garantía o encontrar un vendedor en su localidad.
3. Nunca haga funcionar la máquina si la almohadilla centrante no está correctamente situada en la base. Además, nunca retire el vaso de la base antes de que el licuado haya finalizado y las cuchillas se hayan detenido.

## GARANTÍA LIMITADA *(a menos que el contrato brinde otro tipo de cobertura)*

Vita-Mix® Corporation (en adelante, "Vitamix") garantiza al usuario final original ("Comprador") que sus licuadoras Vitamix de uso comercial (que incluyen una base de motor, un vaso y una tapa, que, en adelante, se denominan de forma conjunta el "Equipo") no presentarán defectos de material ni de mano de obra durante los períodos de garantía pertinentes para el Equipo, según se describe en el presente documento, y estarán sujetas a las condiciones descritas a continuación. Se requiere un comprobante de compra.

A continuación, se especifican los únicos recursos del Comprador y las únicas obligaciones de garantía de Vitamix.

Ningún empleado de Vitamix ni ninguna otra persona tiene autorización para ofrecer una garantía adicional ni para enmendar las siguientes garantías.

## LO QUE CUBRE LA GARANTÍA

### A. Garantía de la base de motor (que incluye el tablero de control y la almohadilla táctil):

Vitamix garantiza al usuario final original que:

- Si la base de motor falla en el transcurso de treinta (30) días desde la fecha de compra debido a defectos de material o de mano de obra, Vitamix reemplazará la base de motor por una nueva.
- Si la base de motor falla transcurridos treinta (30) días desde la fecha de compra, pero en el transcurso de un (1) año a partir de la fecha de compra, debido a defectos de material o de mano de obra, Vitamix asumirá el costo de todas las piezas y de la mano de obra que sean necesarios para repararla.
- Si la base de motor falla transcurrido el primer año, pero en el transcurso de tres (3) años a partir de la fecha de compra, debido a defectos de material o de mano de obra, Vitamix asumirá el costo de todas las piezas que sean necesarias para repararla.

**B. Garantía del vaso, la tapa, el tapón de la tapa, la almohadilla centrante, el conjunto de cuchillas, el acople y la caja silenciadora (si se incluyeran):** Vitamix garantiza al usuario final original que si la caja silenciadora, el vaso, la tapa, el conjunto de cuchillas o el acople fallan en el transcurso de un (1) año a partir de la fecha de compra debido a defectos de material o de mano de obra, Vitamix asumirá el costo de todas las piezas y de la mano de obra que sean necesarios para reparar dichos componentes.

La única obligación de Vitamix conforme a estas garantías es reparar o reemplazar la pieza o las piezas en garantía según lo determine Vitamix a su exclusivo criterio.

**EN NINGÚN CASO, YA SEA QUE SE BASE EN CONTRATO, INDEMNIZACIÓN, GARANTÍA, DAÑOS (LO QUE INCLUYE NEGLIGENCIA), RESPONSABILIDAD ABSOLUTA O DE CUALQUIER OTRO MODO, VITAMIX SERÁ RESPONSABLE DE NINGÚN DAÑO ESPECIAL, INDIRECTO, INCIDENTAL NI CONSECUENTE, LO QUE INCLUYE, ENTRE OTROS, PÉRDIDA DE GANANCIAS O INGRESOS. LA GARANTÍA LIMITADA ANTEDICHA CONSTITUYE SU ÚNICO RECURSO Y, MEDIANTE LA PRESENTE, USTED Y VITAMIX RENUNCIAN EXPRESAMENTE A TODAS LAS DEMÁS GARANTÍAS O CONDICIONES, EXPRESAS O IMPLÍCITAS, ESTATUTARIAS O DE CUALQUIER OTRO MODO, QUE INCLUYAN TODA GARANTÍA IMPLÍCITA DE COMERCIABILIDAD E IDONEIDAD PARA UN FIN EN PARTICULAR, Y, SIN LIMITAR LA GENERALIDAD DE LA PRESENTE GARANTÍA, USTED Y VITAMIX EXCLUYEN EXPRESAMENTE, EN LA MEDIDA QUE LO PERMITA LA LEY, LA APLICACIÓN DE TODA LEGISLACIÓN DE VENTA DE MERCADERÍA Y LA CONVENCION DE LAS NACIONES UNIDAS SOBRE CONTRATOS DE COMPRA Y VENTA INTERNACIONALES DE MERCADERÍA, SEGÚN PUEDA SER PERTINENTE.**

Algunas jurisdicciones no permiten limitaciones en cuanto a la duración de las garantías implícitas ni permiten la exclusión de la limitación de daños incidentales o consecuentes.

## LO QUE NO CUBRE LA GARANTÍA *(exclusiones de la cobertura)*

Estas garantías no incluyen las reparaciones necesarias a raíz de las siguientes causas:

- A. Desgaste normal.
- B. Abuso, uso indebido o negligente.
- C. Alteración del Equipo, que incluye, entre otros, la base de motor, el vaso, la tapa o la caja silenciadora.
- D. Exposición a condiciones extremas.
- E. Instalación incorrecta del Equipo, que incluye, entre otros, mano de obra deficiente, sin respetar las especificaciones suministradas, o ventilación inadecuada de los modelos "empotrados" de la licuadora.

## CUÁNDO RIGEN LAS GARANTÍAS *(condiciones de la cobertura)*

Las garantías contenidas en el presente manual rigen exclusivamente para el usuario final original y son intransferibles. Para interponer un reclamo de garantía, se debe presentar el comprobante de compra.

Toda garantía ofrecida por Vitamix solo es válida si se usa conforme a lo siguiente:

- a) el manual del propietario, al cual también se puede acceder en [vitamix.com](http://vitamix.com);
- b) la garantía expresa y c) todas las instrucciones de mantenimiento, independientemente de cuándo se las haya suministrado.

**GARANTÍA LIMITADA** continúa en la página 56 ▶

# GARANTÍA

## QUÉ ANULA LA GARANTÍA

Todas las garantías del producto se consideran nulas si se presentan las siguientes situaciones:

- La licuadora se coloca en una caja silenciadora que no fue fabricada por Vitamix.
- Cualquier componente de una pieza cubierta del Equipo u otra pieza fue modificado, alterado, “reacondicionado” o reparado por personas ajenas a Vitamix, un centro de servicio autorizado por Vitamix o un distribuidor autorizado por Vitamix.
- Cualquier componente de Vitamix cubierto se usa con un componente no autorizado expresamente por escrito por Vitamix (es decir, se usa un vaso Vitamix con una base de motor que no es Vitamix o se usa una base de motor Vitamix con un vaso que no es Vitamix).
- Cualquier pieza de la licuadora se instala de manera incorrecta, lo cual incluye, entre otros, mano de obra deficiente, sin respetar las especificaciones suministradas, o ventilación inadecuada de los modelos “empotrados”.

## CÓMO RECIBIR LA COBERTURA Y REPARACIÓN DE LA GARANTÍA

### Con quién debe comunicarse para recibir el servicio y la reparación de la garantía:

En caso de que la licuadora Vitamix requiera servicio o reparación cubiertos por los términos de esta garantía, llame a Vita-Mix Corporation, a un centro de servicio autorizado o a un distribuidor local a fin de obtener asistencia al respecto.

- **Para el Equipo adquirido y que se encuentra en EE. UU.:**  
Llame al Servicio Técnico de Vitamix: (800) 886-5235.
- **Para el Equipo adquirido fuera de EE. UU. continental:**  
Comuníquese con el distribuidor autorizado de Vitamix o con la División Internacional de Vitamix llamando al +1 (440) 782-2450 o enviando un correo electrónico a [international@vitamix.com](mailto:international@vitamix.com) para encontrar un distribuidor cerca de su domicilio.

Se le solicitará que presente un comprobante de compra del Equipo. Si el equipo de servicio técnico remoto no puede arreglar el Equipo de manera remota, se deberá reparar el Equipo. El equipo lo ayudará a encontrar un centro de servicio autorizado o a coordinar el envío del Equipo a Vitamix.

## CÓMO ENVIAR EL EQUIPO A VITAMIX PARA SU REPARACIÓN

### A. Obtenga un número de autorización de devolución antes de realizar el envío.

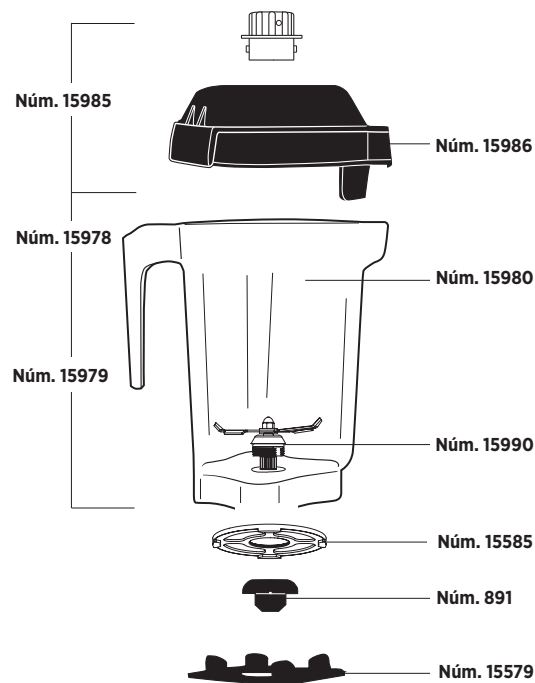
No devuelva ni envíe el Equipo sin la aprobación de Vitamix. En ningún caso Vitamix se hará cargo del costo de las reparaciones no autorizadas. Todas las devoluciones de Equipos deben tener el número de autorización de devolución (Return Authorization, “RA”) claramente marcado en el exterior de la caja. Todo Equipo enviado a Vitamix sin autorización ni aprobación previas será devuelto a la dirección de la empresa de transportes “tal como está”, sin haberlo reparado.

### B. Embale de manera correcta el artículo que será devuelto. Todo artículo devuelto a Vitamix deberá enviarse en el embalaje original o en uno apto para tal fin.

## LISTA DE PIEZAS

### Blending Station® Advance®

- Núm. 15092** Tapa antisalpicaduras para el vaso de 48 oz. / 1,4 L Advance®
- Núm. 15986** Tapa solamente (sin tapón) para el vaso de 48 oz. / 1,4 L Advance®
- Núm. 15985** Conjunto de tapa de dos piezas para el vaso de 48 oz. / 1,4 L Advance®
- Núm. 15978** Vaso de 48 oz. / 1,4 L Advance®, conjunto de cuchillas y conjunto de la tapa
- Núm. 15980** Vaso de 48 oz. / 1,4 L Advance® solamente
- Núm. 15979** Vaso de 48 oz. / 1,4 L Advance®, conjunto de cuchillas, conjunto sin tapa
- Núm. 15990** Conjunto del agitador de cuchillas Advance®
- Núm. 15585** Tuerca de sujeción
- Núm. 891** Acople
- Núm. 15579** Almohadilla centrante silenciadora
- Núm. 18006** Cubierta posterior compacta y puerta de la cubierta con diseño embisagrado desmontable
- Núm. 18007** Puerta de la cubierta compacta
- Núm. 18008** Cubierta posterior compacta
- Núm. 18005** Tornillos metálicos con tapas de plástico (2)
- Núm. 15603** Junta para instalación empotrada



#### Artículos que se venden por separado:



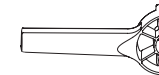
**Núm. 15606**  
Kit de software - Versión USB



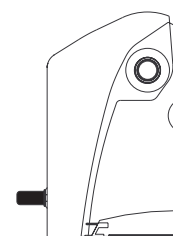
**Núm. 15644**  
Chip de programación adicional para el kit de software



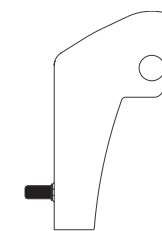
**Núm. 15988**  
Tapa de una pieza



**Núm. 15596**  
Llave para la tuerca de sujeción



Núm. 18006



Núm. 18007



Núm. 18008

### ¡NOTAS IMPORTANTES!

- Fuera de EE. UU. y Canadá, es posible que la máquina venga con una configuración de vaso diferente. Póngase en contacto con su distribuidor local de Vitamix para obtener los números de los artículos.
- Aparte del acople, el conjunto de cuchillas y la tuerca de sujeción, esta unidad no puede ser reparada por el usuario.



Núm. 18005



Núm. 15603



## ESPECIFICACIONES

### Blending Station® Advance®

#### Requisitos eléctricos:

- 120 V, 50/60 Hz, 15 amperios
- Usa un cable con conexión a tierra de tres clavijas para EE. UU.
- Se recomienda un tomacorriente de 20 amperios por máquina.

#### No use cables de extensión con la máquina.

- 220 – 240 V, 50/60 Hz, 1300 – 1550 vatios
- 100 V (Japón), 50/60 Hz, 1000 vatios

#### Dimensiones de instalación en sobremesa:

- 19,4 pulg. / 49,2 cm de alto con tapa cerrada
- 27,2 pulg. / 68,9 cm de alto con tapa abierta
- Profundidad: 10,5 pulg. / 26,7 cm con mango
- Ancho: 9,3 pulg. / 23,5 cm

#### Dimensiones de instalación empotrada:

- 15,0 pulg. / 38,1 cm de alto con tapa cerrada
- 22,5 pulg. / 57,2 cm de alto con tapa abierta
- Profundidad: 10,5 pulg. / 26,7 cm con mango
- Ancho: 9,0 pulg. / 23,5 cm
- Profundidad bajo el mostrador: 5,7 pulg. / 14,4 cm

Según corresponda:



Para ver la línea completa de productos Vitamix®, visite el sitio web [vitamix.com](http://vitamix.com)



#### Vita-Mix® Corporation Commercial Division

8615 Usher Road, Cleveland, Ohio 44138 EE. UU.

Tel.: +1 (440) 235.0214 Correo electrónico: [commercial@vitamix.com](mailto:commercial@vitamix.com)

©2012 Vita-Mix Corporation. No está permitido reproducir ni transmitir ninguna parte de esta publicación, de forma alguna ni por ningún medio, ni almacenarla en una base de datos o un sistema de recuperación sin la autorización por escrito de Vita-Mix Corporation.

Impreso en EE. UU. 102916 12/12

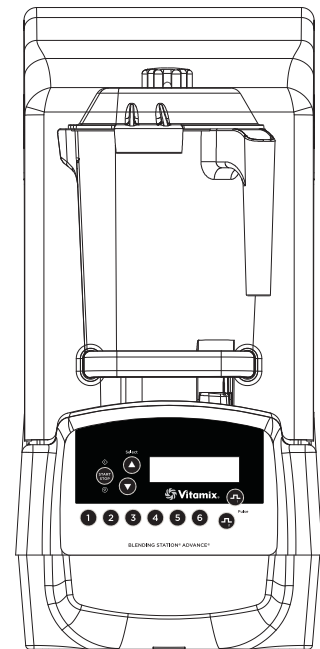


## Blending Station® Advance®

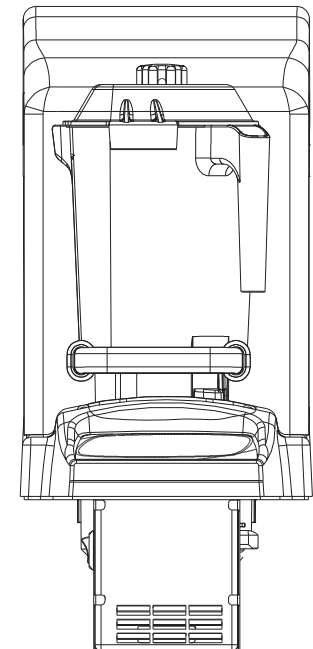
TOUS MODÈLES

### Manuel d'utilisation et d'entretien

Lire et conserver ces instructions



SUR LE COMPTOIR



DANS LE COMPTOIR

ENGLISH

ESPAÑOL

FRANÇAIS

## TABLE DES MATIÈRES

<b>English</b> .....	<b>1</b>
<b>Español</b> .....	<b>31</b>
<b>Français</b> .....	<b>61</b>
<b>Précautions importantes</b> .....	<b>64</b>
<b>Instructions générales</b> .....	<b>66</b>
<b>Panneau de contrôle</b> .....	<b>68</b>
<b>Programmation</b> .....	<b>70</b>
Programmation des boutons pré réglés	
Programmation de la puce personnalisée	
Réinitialisation des boutons pré réglés	
Choix de préparations	
<b>Montage de l'appareil</b> .....	<b>74</b>
Couvercle compact	
Couvercle	
Assemblage de lames	
<b>Installation</b> .....	<b>78</b>
<b>Entretien de votre appareil</b> .....	<b>80</b>
<b>Dépannage</b> .....	<b>82</b>
<b>Garantie</b> .....	<b>84</b>
<b>Liste de pièces</b> .....	<b>88</b>
<b>Spécifications du produit</b> .....	<b>92</b>



## PRÉCAUTIONS IMPORTANTES

1. Lire toutes ces instructions.
2. Pour vous protéger contre les risques d'électrocutions, n'immergez pas le socle-moteur dans l'eau ou dans d'autres liquides.
3. L'appareil doit être surveillé de près par un adulte s'il est utilisé par des enfants ou à proximité d'enfants.
4. Débranchez le cordon d'alimentation de la prise de courant murale lorsque l'appareil Vitamix® n'est pas en service, avant de le démonter, lors de l'installation et du démontage des pièces et avant tout nettoyage autre que le nettoyage du bol.
5. N'entrez jamais en contact avec les pièces mobiles, tout particulièrement les lames.
6. N'utilisez pas un appareil qui ne fonctionne pas correctement, dont le câble ou la fiche est endommagé, un appareil qui est tombé ou qui est endommagé de quelque manière que ce soit. Si vous avez acheté votre appareil aux É.-U., contactez le **Service d'assistance technique Vitamix au (800) 886.5235**, pour que votre appareil soit examiné, réparé, potentiellement échangé ou bien pour que ses fonctions électriques ou mécaniques soient ajustées. Si vous avez effectué votre achat en dehors des É.-U., veuillez contacter votre distributeur Vitamix agréé local, ou contactez la Division internationale Vitamix au +1 (440) 782.2450 ou par courriel [international@vitamix.com](mailto:international@vitamix.com) pour trouver un distributeur près de chez vous.
7. N'utilisez pas d'accessoires qui ne sont pas recommandés ou vendus par Vitamix. Cela annulerait la garantie. **Il n'est pas recommandé d'altérer ou de modifier cet appareil de quelque façon que ce soit au risque de causer des blessures.**
8. **N'utilisez pas cet appareil à l'extérieur.**
9. Ne laissez pas le cordon d'alimentation entrer en contact avec des surfaces chaudes ni pendre d'une table ou d'un comptoir.
10. Ne placez pas cet appareil sur ou à proximité d'une cuisinière à gaz ou électrique ni dans un four chaud, et ne laissez pas l'appareil entrer en contact avec des surfaces chaudes. Les sources extérieures de chaleur peuvent endommager l'appareil.
11. Gardez les mains et les ustensiles à l'extérieur du bol lorsque le moteur est en marche afin de limiter les risques de blessures sévères et/ou de dommages à l'appareil. Une spatule de caoutchouc peut être utilisée, mais uniquement lorsque l'appareil Vitamix n'est pas en marche.
12. **AVERTISSEMENT : Les lames sont tranchantes. Manipulez-les avec précaution.**
  - N'essayez jamais de retirer les lames lorsque le bol est posé sur le socle-moteur.
  - N'utilisez pas de lames desserrées, ébréchées ou endommagées; remplacez-les immédiatement.
  - Afin de limiter les risques de blessures, ne placez jamais l'assemblage de lames sur le socle-moteur sans que le bol Vitamix y soit correctement installé.
13. La capacité maximale correspond à la quantité en litres (onces) marquée sur le bol, p. ex. 48 oz. / 1,4 L, et elle est substantiellement réduite pour les mélanges épais.
14. **Ne faites jamais fonctionner le mélangeur Vitamix sans que le couvercle soit en place et soit correctement installé.**
15. La surface de la fenêtre d'affichage sera égratignée si elle entre en contact avec un tampon à récurer ou un objet pointu. Utilisez un chiffon sec pour nettoyer la surface du panneau de contrôle.
16. La machine ne peut pas être nettoyée avec un jet d'eau.

17. Il est recommandé pour une installation de 120 V d'avoir au moins une prise de courant de 20 A par appareil, disponible dans les 6 pi / 1,8 m de l'appareil Vitamix. Les appareils de 220 V et de 100 V nécessitent une ligne dédiée. **Consultez un électricien pour respecter les besoins en matière d'électricité.**
18. **ATTENTION :** Éteignez le courant ou débranchez l'appareil avant de toucher aux pièces mobiles. Positionnez l'interrupteur sur « Off » pendant la nuit ou lorsque l'appareil est laissé sans surveillance.

### Conservez ces instructions de sécurité

- Le cordon d'alimentation américain du mélangeur Vitamix est muni d'une fiche à trois broches (de mise à la terre) qui se branche dans une prise de courant murale à trois broches standard (Figure A). **Ce cordon est différent pour les pays autres que les États-Unis d'Amérique.**
- Des adaptateurs (Figure B) sont disponibles pour les prises de courant à deux broches. Ne coupez pas et n'enlevez pas la troisième broche (de mise à la terre) de la prise ou du cordon d'alimentation.
- Consultez un électricien si vous ne savez pas si votre prise de courant murale est mise à la terre par le câblage du bâtiment. Pour les prises de courant murales à deux broches correctement reliées à la terre, la mise à la terre de l'appareil s'effectue en connectant la languette de l'adaptateur à la prise de courant murale grâce à la vis au centre du cache (Figure B).



### AVERTISSEMENTS!

Les adaptateurs à trois broches ne doivent pas être utilisés au Canada.

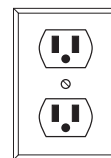


FIGURE A

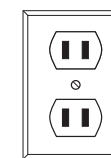


FIGURE B

### REMARQUES IMPORTANTES!

Les instructions contenues dans ce Manuel d'utilisation et d'entretien ne sauraient couvrir toutes les conditions et les circonstances d'utilisation possibles. Il convient de faire preuve de bon sens et de prudence lors de l'utilisation et de l'entretien des appareils.

## INSTRUCTIONS GÉNÉRALES

### Instructions pour l'utilisation des boutons de programme préréglés

Voici la configuration de base des six boutons préréglés pour la Blending Station® Advance®. Ces programmes, numérotés de 1 à 6, sont des cycles de mélange conçus pour les boissons les plus courantes. Selon la viscosité de la boisson que vous créez, choisir l'un des six programmes préréglés fera fonctionner l'appareil pendant un cycle complet. L'appareil s'arrêtera de lui-même lorsque le cycle sera terminé. Les cycles sont de durée et de vitesse variables. Les options de préréglage peuvent varier d'un appareil à l'autre en raison de révisions apportées au programme ou de la différence des préparations; vos résultats peuvent également varier.

**BOUTON 1 :** Mélange des boissons légères avec du jus et de la glace seulement. Le bouton 1 mettra la vitesse de mélange à élevée (87 %) pendant 13 secondes. (: 13)

**BOUTON 2 :** Mélange des boissons légères au café. Le bouton 2 mettra la vitesse de mélange à haute pendant 18 secondes. (: 18)

**BOUTON 3 :** Crée une boisson spéciale avec une viscosité épaisse. Le bouton 3 mettra la vitesse de mélange à haute pendant 20 secondes. (: 20)

**BOUTON 4 :** Ce cycle est bon pour la crème glacée et les boissons régulières au café. Le bouton 4 augmente la vitesse à moyenne pendant 5 secondes, puis accélère lentement à la vitesse haute pendant 10 secondes. (: 15)

**BOUTON 5 :** Mélange une boisson fouettée régulière à la vitesse haute. Le bouton 5 augmente la vitesse à moyenne pendant 10 secondes, puis accélère lentement à la vitesse haute pendant 10 secondes. (: 20)

**BOUTON 6 :** Mélange des fruits congelés épais et des ingrédients durs pour créer une boisson fouettée épaisse, mais consistante. Le bouton 6 augmente la vitesse à moyenne pendant 10 secondes, puis accélère lentement à la vitesse haute pendant 15 secondes. (: 25)

### Conseils de mélange

1. Placez d'abord les liquides et les aliments mous dans le bol, les aliments solides et la glace en dernier. Bien que ce ne soit pas nécessaire pour le mélange, vous pouvez couper ou broyer les aliments en petits morceaux afin de pouvoir les mesurer plus précisément. Il est recommandé d'utiliser des fruits décongelés ou partiellement décongelés.
2. En règle générale, en comparaison aux autres mélangeurs, la Blending Station® Advance® ne demande pas autant de glace pour faire une boisson glacée. Si la préparation gèle, essayez de réduire la quantité de glace.
3. Enclenchez le bol sur le socle-moteur en alignant celui-ci au socle de centrage ancré à la base. **(Le moteur doit être à l'arrêt complet avant de mettre le bol en position.)** Les bols ne doivent pas être utilisés pour des aliments durs ou secs. Évitez de faire fonctionner l'appareil si le bol est vide.
4. Utilisez toujours un couvercle qui est solidement fixé lors du mélange.
5. Branchez l'appareil dans la prise de courant la plus proche (s'il est débranché). Positionnez l'interrupteur On/Off (Marche/Arrêt) sur « On ». Sélectionnez le réglage programmé souhaité en appuyant sur un des boutons préréglés de 1 à 6. L'appareil commencera immédiatement à exécuter le cycle du programme sélectionné et s'arrêtera lorsque le programme sera terminé. **(REMARQUE : Chaque bouton possède une différente combinaison présélectionnée de vitesses et de durées de mélange.)**

6. Une fois que l'un des six boutons de programme préréglés est enfoncé, l'appareil démarre et s'arrête automatiquement. Si vous appuyez sur un autre bouton préréglé, l'appareil arrêtera le cycle de mélange.
7. Lorsque le cycle est terminé, le mélangeur s'arrête. **Attendez que les lames soient complètement immobiles avant d'enlever le couvercle et/ou le bol du socle-moteur.**
8. Enlevez le bol, versez, décorez et servez la boisson.
9. Positionnez l'interrupteur On/Off (Marche/Arrêt) sur « Off » lorsque l'appareil n'est pas utilisé.

### Conseils d'entretien

- **Ne cognez jamais le bol contre une surface dure pour décoller les ingrédients.** Enlevez le bol de la base et utilisez une spatule souple pour récupérer les préparations épaisses du fond du bol.
- **Ne secouez jamais un bol quand il est en marche sur l'appareil.**
- **Ne retirez jamais le bol avant que l'appareil ne soit complètement arrêté.**
- **N'allumez jamais le moteur avant que le bol soit en place.**



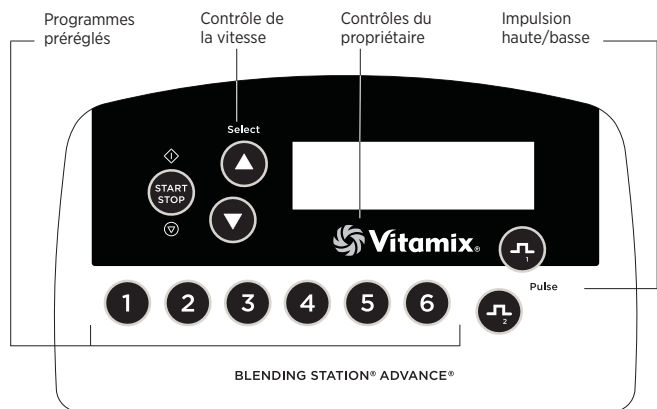
### AVERTISSEMENTS!

- Éteignez le courant ou débranchez l'appareil avant de toucher aux pièces mobiles. Positionnez l'interrupteur sur « Off » pendant la nuit ou lorsque l'appareil est laissé sans surveillance.
- En cas de modification du bruit de la machine ou si un objet extérieur ou dur entre en contact avec les lames, ne servez pas la boisson. Inspectez l'assemblage de lames pour vérifier qu'il n'y a pas de pièces desserrées, ébréchées ou manquantes. S'il y a des pièces desserrées, manquantes ou ébréchées, remplacez l'assemblage de lames. (Voir la page 77.)

### REMARQUES IMPORTANTES!

- Vérifiez vos lames chaque jour pour des pièces desserrées, ébréchées ou manquantes. Si une pièce s'avère desserrée, ébréchée ou manquante, remplacez l'assemblage de lames avant utilisation (voir la page 77). N'essayez pas de visser la vis à tête hexagonale (sur le dessus de l'assemblage de lames). Si celle-ci est desserrée, remplacez immédiatement l'assemblage de lames.
- Les instructions contenues dans ce Manuel d'utilisation et d'entretien ne sauraient couvrir toutes les conditions et les circonstances d'utilisation possibles. Il convient de faire preuve de bon sens et de prudence lors de l'utilisation et de l'entretien des appareils.
- Sur chaque appareil, le protecteur thermique incorporé surveille la température du moteur et mettra en garde l'utilisateur si le moteur surchauffe et, éventuellement, éteindra ce dernier. En cas de surchauffe, l'affichage informera l'utilisateur de retirer le bol et de faire fonctionner l'appareil jusqu'à ce qu'il refroidisse. Cela prend environ deux minutes. Voir le « Refroidissement du moteur » à la page 83 pour des instructions complètes. Si le protecteur thermique arrête le moteur, revoyez vos procédures de travail et vos instructions. Vos préparations sont peut-être trop épaisses ou contiennent trop d'ingrédients. Pensez à ajouter plus de liquide et consultez le Service à la clientèle Vitamix® ou votre distributeur Vitamix local pour obtenir davantage d'aide.

## PANNEAU DE CONTRÔLE



**Interrupteur On/Off (Marche/Arrêt) :** Situé sur le côté du socle-moteur, l'interrupteur On/Off (Marche/Arrêt) contrôle l'alimentation de l'appareil. Quand l'appareil est branché, positionnez l'interrupteur sur « On » pour préparer l'appareil à mélanger. Positionnez l'interrupteur sur « Off » pendant la nuit ou lorsque l'appareil est laissé sans surveillance.

**Interrupteur Start /Stop (Démarrage/Arrêt) :** Appuyez sur l'interrupteur Start/Stop (Démarrage/Arrêt) une fois pour mettre le moteur en marche et faire tourner les lames. Appuyez sur l'interrupteur Start/Stop (Démarrage/Arrêt) une deuxième fois pour arrêter le moteur et les lames.

**Boutons de vitesse :** Appuyez sur le bouton ▲ pour augmenter progressivement la vitesse des lames par incréments de 1 % jusqu'à 100 %. Appuyez sur le bouton ▼ pour diminuer progressivement la vitesse des lames par incréments de 1 % jusqu'à 7 %. La vitesse du moteur peut être changée avec le moteur allumé ou éteint. Pour modifier la vitesse avec le moteur éteint, appuyez sur les boutons ▲ ou ▼ jusqu'à la vitesse désirée, puis appuyez sur l'interrupteur Start/Stop (Démarrage/Arrêt) pour que l'appareil accélère jusqu'à la vitesse sélectionnée. Le mélange peut être interrompu à tout moment en appuyant sur l'interrupteur Start/Stop (Démarrage/Arrêt). Pour modifier la vitesse avec le moteur en marche, appuyez sur l'interrupteur Start/Stop (Démarrage/Arrêt) avec le bol en place. L'appareil commencera le mélange. Pendant que l'appareil est en marche, appuyez sur la touche ▲ ou ▼ jusqu'à la vitesse désirée. Le mélange peut être interrompu à tout moment en appuyant sur l'interrupteur Start/Stop (Démarrage/Arrêt). Les boutons de vitesse sont utilisés pour définir la vitesse de mélange des boutons à impulsion (voir les instructions à la page 69) et l'interrupteur Start/Stop (Démarrage/Arrêt).

**Boutons de programme pré-réglés :** Ces boutons, numérotés de 1 à 6, sont des cycles de mélange préprogrammés conçus pour les boissons les plus courantes. Selon la viscosité de la boisson que vous créez, choisir l'un des six boutons de programme pré-réglés fera fonctionner l'appareil pendant un cycle complet. L'appareil s'arrêtera de lui-même lorsque le cycle sera terminé. Les cycles sont de durées et de vitesses variables; voir les « Instructions générales » à la page 66 pour une description complète de la gamme de chaque bouton pré-réglé. Chaque bouton peut être reprogrammé à n'importe quelle préparation grâce à une programmation personnalisée ou à une reprogrammation de l'une des 34 préparations disponibles. Consultez la page 70 pour obtenir des instructions sur la création d'une programmation personnalisée. En raison de la différence des préparations, vos résultats peuvent varier.

**Fenêtre d'affichage :** Cette surface, en fonction du bouton enfoncé, affiche une variété de messages d'opération. Le message « Ready » apparaît lorsque l'appareil est sous tension.

**Contrôles du propriétaire :** Le panneau de contrôle du propriétaire est accessible en appuyant sur le logo de Vitamix situé sur le panneau de contrôle.

READY

MODE

TEMP	COUNT	TOTAL
NORM	25	100

VITA-MIX ADVANCE  
PROGRAM #201

4 TO OVERWRITE  
CURRENT PROGRAM

BUTTON SETUP  
RECIPE 01

- Appuyez une fois pour révéler le message de mode. Appuyez sur le bouton 1, puis sur le bouton 6 en moins de 5 secondes afin de continuer. Une fois que le code correct est entré, l'afficheur indique la température du moteur (NORM [NORMAL], WARM [TIÈDE], HOT [CHAUD]), un compteur d'utilisations et un total. Le compteur est un total d'utilisations de l'appareil et peut être réinitialisé. Cela peut être utilisé pour conserver un décompte du nombre de boissons vendues en une semaine, en une journée ou même en une heure. Pour l'effacer, appuyez sur l'interrupteur Start/Stop (Démarrage/Arrêt) et maintenez-le enfoncé pendant 5 secondes. Le total surveille l'utilisation de l'appareil, y compris la production et les essais, et ne peut être effacé.

- Appuyez deux fois pour révéler le nom du programme de contrôle des boutons pré-réglés. Si vous utilisez les paramètres Advance, il sera écrit VITA-MIX ADVANCE PROGRAM.

- Appuyez une troisième fois afin de révéler une option pour réinitialiser les boutons pré-réglés aux réglages d'origine.

- Appuyez une quatrième fois afin de révéler une option pour réaffecter l'une des 34 préparations disponibles dans la mémoire à l'un des six boutons pré-réglés.

- Appuyez une cinquième fois pour quitter et continuer à mélanger.

**Boutons à impulsion :** L'impulsion procure une augmentation ou une diminution rapide de la vitesse des lames lors du mélange ou du rafraîchissement d'une boisson. Appuyez sur  $\uparrow$  pour augmenter le moteur à des vitesses allant de 51 % à 100 %. Appuyez sur  $\downarrow$  pour diminuer la vitesse du moteur de 50 % à 7 %. Les boutons à impulsion annulent le programme en cours d'exécution tant qu'ils sont enfoncés. Une fois les boutons libérés, le programme initial continue son cycle.

- Les vitesses d'impulsion haute ( $\uparrow$ ) et basse ( $\downarrow$ ) sont réglées en utilisant les boutons de contrôle de la vitesse. Pour les régler, appuyez sur le bouton ▲ ou ▼ de contrôle de la vitesse, tout en appuyant sur un bouton à impulsion, jusqu'à ce que la vitesse de moteur désirée soit atteinte. La vitesse d'impulsion restera à cette valeur jusqu'à ce qu'elle soit de nouveau changée avec les boutons de vitesse.

## REMARQUES IMPORTANTES!

**Bouton Start/Stop (Démarrage/Arrêt) :** Appuyer sur un des boutons de programme pré-réglés alors que le moteur est en marche arrêtera l'appareil.

**Bouton de vitesse :** Ces valeurs sont réinitialisées si l'alimentation est coupée.

**AVERTISSEMENT :** Attendez que les lames soient complètement immobiles avant d'enlever le couvercle et/ou le bol du socle-moteur.

## PROGRAMMATION

La Blending Station® Advance® est préprogrammée avec un programme Advance® qui est optimisé pour le bol Advance®. Le programme peut être personnalisé en utilisant le panneau de contrôle, une puce de programmation ou un ensemble de logiciel de programmation disponible auprès de Vitamix®. Appelez votre distributeur ou le Service à la clientèle pour de plus amples informations.

### Programmation des boutons préréglés

1. Appuyez sur le bouton de contrôle du propriétaire (logo de Vitamix®). Le mot « MODE » apparaîtra dans la fenêtre d'affichage. Appuyez sur le bouton préréglé 1, puis sur le 6. Ensuite, appuyez sur le logo de Vitamix trois fois de plus. La fenêtre d'affichage indiquera « BUTTON SETUP ».
2. Appuyez sur les boutons de vitesse ▲ ou ▼ pour faire défiler les numéros de « préparations » jusqu'à celle souhaitée. (Pour une description de chaque préparation, consultez la page 72.)
3. Appuyez sur le bouton préréglé que vous désirez programmer pour la préparation choisie.

BUTTON SET UP  
RECIPE 1

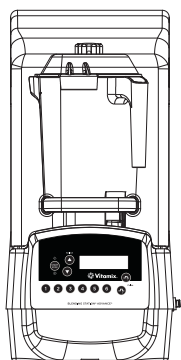
BUTTON SET UP  
RECIPE 17

BUTTON SET UP  
RECIPE 17----->1

READY

#### Par exemple, si vous voulez programmer le bouton 1 avec la préparation N° 17 :

1. Après avoir accédé aux programmes stockés comme décrit à l'étape 1, la fenêtre d'affichage indiquera « BUTTON SETUP ».
2. Appuyez sur le bouton de vitesse ▲ jusqu'à ce que l'écran affiche « Recipe 17 ».
3. Appuyez sur le bouton 1 pour l'affecter à la préparation 17.
4. Vous pouvez soit continuer la programmation des cinq autres boutons, soit appuyer sur le bouton à impulsion vers le haut pour quitter et continuer à mélanger.



Puce programmée  
personnalisée

### Programmation de l'appareil avec une puce personnalisée

1. Mettez l'appareil en marche.
2. **Sur le comptoir :** Retirez le bol et soulevez le devant de l'appareil afin de voir le port de programmation.  
**Dans le comptoir :** Retirez le bol et soulevez l'appareil des rainures du bas pour voir le moteur et le boîtier. Avec l'appareil en face de vous, localisez la fente en-dessous, sur le côté droit de l'appareil, située entre le moteur et la paroi extérieure.
3. En faisant face à l'appareil, insérez la puce programmée personnalisée (avec les contacteurs argentés vers le haut et les mots « THIS SIDE FACING TO THE FRONT OF THE MACHINE » vers vous) dans le port situé sous l'étiquette. Poussez doucement jusqu'à ce que la puce s'engage dans le port. La fenêtre d'affichage indiquera « NEW MODULE ».

4. Dans les 10 secondes suivantes, les six boutons préréglés seront reprogrammés et la fenêtre d'affichage indiquera « Saved », puis « Ready ».
5. Enlevez la puce de programmation, remettez-la dans son emballage d'origine et conservez-la dans un endroit sécuritaire et facilement accessible.
6. Appuyez sur un des six boutons préréglés pour révéler, dans la fenêtre d'affichage, le nom du programme/boisson.
7. **Dans le comptoir :** Remplacez délicatement le moteur de la Blending Station® Advance® dans le trou du comptoir.

### Réinitialisation des boutons préréglés à leurs réglages d'origine

1. Appuyez sur le bouton de contrôle du propriétaire (logo de Vitamix®). Le mot « MODE » apparaîtra dans la fenêtre d'affichage. Appuyez sur le bouton préréglé 1, et ensuite sur le 6. La fenêtre d'affichage indiquera « COUNT TEMP TOTAL ».
2. Appuyez sur le logo de Vitamix deux fois de plus pour révéler les instructions sur la réinitialisation des boutons préréglés.
3. Appuyez sur le bouton 4 et maintenez-le effoncé jusqu'à ce que la fenêtre d'affichage indique « RESTORING PLEASE WAIT ». Les boutons préréglés sont maintenant remis à la configuration d'origine.

### REMARQUES IMPORTANTES!

**Puce de programmation :** Si les étapes précédentes de programmation ne sont pas suivies et si la programmation personnalisée n'apparaît pas avec le premier cycle de mélange, tournez la puce de 180° (côte-à-côte) et réessayez.

# PROGRAMMATION

**Choix de préparations** Classées par numéro de préparation (N°) et par type de boisson.

N°	TYPE DE BOISSON	DESCRIPTION	TEMPS D'EXÉCUTION
1	Thin Juice Drink (Jus de fruit léger)	Augmente à ÉLEVÉ (87 %)	: 13
2	Light Coffee Drink (Boisson légère à base de café)	Augmente à ÉLEVÉ (100 %)	: 18
3	Thick Specialty Drink (Boisson de spécialité épaisse)	Augmente à ÉLEVÉ (100 %)	: 20
4	Ice Cream and Coffee Drinks (Boissons à base de café et de crème glacée)	Augmente à MÉDIUM (50 %) pendant 5 secondes, puis accélère à ÉLEVÉ (100 %) pendant 10 secondes supplémentaires	: 15
5	Smoothie (Frappé aux fruits)	Augmente à MÉDIUM (50 %) pendant 10 secondes, puis accélère progressivement à ÉLEVÉ (100 %)	: 20
6	Thick Hard-To-Blend Smoothie (Frappé aux fruits épais et difficile à mélanger)	Augmente à MÉDIUM (50 %) pendant 10 secondes, puis accélère progressivement à ÉLEVÉ (100 %)	: 25
7	Medium Smoothie (Frappé aux fruits moyen)	Augmente progressivement à ÉLEVÉ (100 %)	: 20
8	Hard-To-Blend Smoothie (Frappé aux fruits difficile à mélanger)	Augmente progressivement à ÉLEVÉ (100 %)	: 25
9	Thick Smoothie (Frappé aux fruits épais)	Augmente à MÉDIUM (50 %) pendant 15 secondes, puis accélère à ÉLEVÉ (100 %) pendant 20 secondes supplémentaires	: 35
10	Mix, Light Juice (Mélange de jus léger)	Fonctionne à FAIBLE (10 %)	: 04
11	Heavy Smoothie (Frappé aux fruits épais)	Fonctionne à MÉDIUM-ÉLEVÉ (75 %), augmente, diminue, puis accélère à ÉLEVÉ (100 %)	: 40
12	Hard-To-Blend Smoothie (Frappé aux fruits difficile à mélanger)	Fonctionne à FAIBLE (7 %) pendant 25 secondes, augmente rapidement à ÉLEVÉ (100 %), puis diminue à FAIBLE (7 %) et augmente à nouveau à ÉLEVÉ (100 %)	: 40
13	Regular Iced Coffee (Café glacé normal)	Augmente rapidement à ÉLEVÉ (100 %)	: 09
14	Double Iced Coffee (Café glacé double)	Augmente rapidement à ÉLEVÉ (100 %)	: 13
15	Thick Coffee (Café épais)	Augmente à MÉDIUM (55 %), diminue progressivement à FAIBLE (7 %), puis accélère rapidement à ÉLEVÉ (100 %)	: 30
16	Multiple Coffees (Cafés multiples)	Augmente à FAIBLE (25 %), accélère progressivement à MÉDIUM (50 %) et ensuite à ÉLEVÉ (100 %)	: 25

17	Multiple Coffees 2 (Cafés multiples 2)	Augmente à FAIBLE (25 %), accélère progressivement à MÉDIUM (50 %) et ensuite à ÉLEVÉ (100 %)	: 30
18	Small Coffee (Petit Café)	Augmente progressivement à MÉDIUM-ÉLEVÉ (75 %)	: 14
19	1-2 Drink Cocktail (1 à 2 cocktails)	Augmente à ÉLEVÉ (90 %)	: 13
20	3-4 Drink Cocktail (3 à 4 cocktails)	Augmente à MÉDIUM (45 %), puis accélère à ÉLEVÉ (100 %)	: 25
21	Kids Cup (Boisson pour enfant)	Commence à MÉDIUM (55 %), diminue ensuite à FAIBLE (7 %), puis augmente rapidement à ÉLEVÉ (100 %)	: 30
22	Bar Shake (Bar frappé)	Augmente progressivement à ÉLEVÉ (100 %)	: 25
23	Bar spécial (Bar spécial)	Augmente à MÉDIUM (58 %), diminue à FAIBLE (22 %), puis augmente progressivement à ÉLEVÉ (100 %)	: 35
24	Utility Blend (Mélange utilitaire)	Augmente à MÉDIUM (40 %), puis accélère progressivement à MÉDIUM-ÉLEVÉ (75 %)	: 25
25	1 Shake (1 frappé)	Augmente à MÉDIUM (50 %), diminue à FAIBLE (25 %), puis diminue progressivement à FAIBLE (15 %)	: 20
26	2 Shakes (2 frappés)	Augmente à MÉDIUM (50 %), diminue à FAIBLE (25 %), puis diminue progressivement à FAIBLE (17 %)	: 30
27	3 Shakes (3 frappés)	Augmente à ÉLEVÉ (100 %), diminue à FAIBLE (25 %), puis diminue progressivement à FAIBLE (15 %)	: 20
28	Ice Cream Drink (Boisson à base de crème glacée)	Augmente à MÉDIUM-FAIBLE (35 %), puis accélère à MÉDIUM-ÉLEVÉ (75 %)	: 15
29	Small Shake (Petit frappé)	Augmente à MÉDIUM (58 %), puis diminue à FAIBLE (25 %)	: 10
30	Hard-To-Blend Shake (Frappé difficile à mélanger)	Augmente à MÉDIUM-ÉLEVÉ (80 %), diminue à MÉDIUM (51 %), puis accélère progressivement à ÉLEVÉ (100 %)	: 25
31	General Program 1 (Programme général 1)	Augmente à ÉLEVÉ (100 %)	: 25
32	General Program 2 (Programme général 2)	Augmente lentement à ÉLEVÉ (100 %)	: 45
33	General Program 3 (Programme général 3)	Augmente rapidement à MÉDIUM (40 %), diminue à FAIBLE (15 %), puis accélère à ÉLEVÉ (90 %)	: 24
34	General Program 4 (Programme général 4)	Augmente rapidement à MÉDIUM (45 %), puis accélère progressivement à MÉDIUM-ÉLEVÉ (75 %)	: 35



## MONTAGE DE L'APPAREIL

### Couvercle compact

#### Porte du couvercle :

1. La porte du couvercle peut être enlevée en l'ouvrant jusqu'à ce qu'elle soit en position horizontale. Écartez ensuite doucement les côtés de la porte des charnières rondes et enlevez-la.
2. Pour réinstaller la porte du couvercle, écartez doucement les côtés de la porte et placez les découpes de la porte sur les charnières rondes.

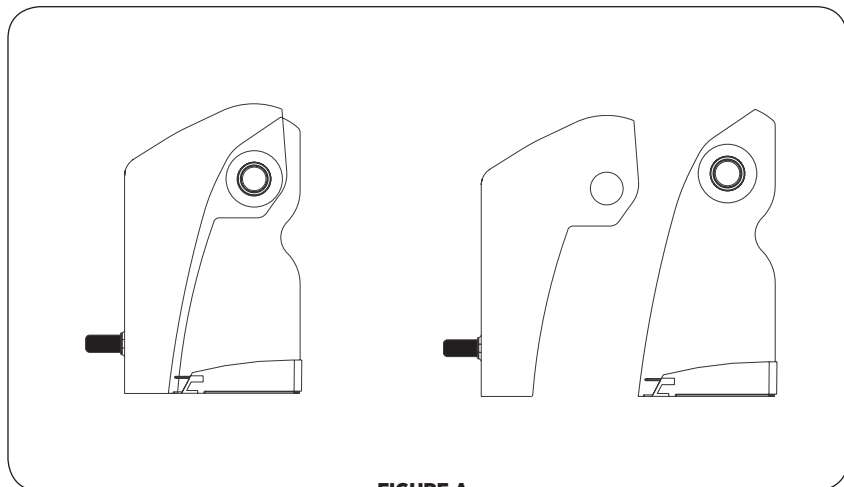


FIGURE A

### REMARQUES IMPORTANTES!

#### Bols :

- Les appareils Blending Station® Advance® sont optimisés pour une utilisation avec le bol Vitamix® Advance® de 48 oz. / 1,4 L (bol à trois cotés). Le bol standard de 64 oz. / 2,0 L ne rentre pas dans le couvercle compact utilisé sur la Blending Station® Advance®. Contactez le Service à la clientèle Vitamix au (800) 886.5235 ou votre distributeur pour obtenir de plus amples informations.
- À l'extérieur des É.-U. et du Canada, il est possible que votre appareil soit livré avec une configuration de bol différente.

### Couvercle arrière :

1. Pour retirer le couvercle arrière :
  - Commencez par enlever la porte du couvercle de l'appareil tel que décrit ci-dessus.
  - Retirez les deux vis de montage du couvercle de l'arrière de l'appareil (voir la figure B).
  - De l'arrière de l'appareil, appuyez fermement sur le bas du couvercle vers l'avant (vers le panneau de contrôle), en gardant le bord inférieur du couvercle contre le socle-moteur. **N'inclinez ou ne frappez PAS le couvercle pendant le retrait.**
  - Faites glisser vers l'avant jusqu'à ce que les loquets de côté sur le devant du couvercle soient libérés du socle-moteur (voir la figure C). **Ne frappez PAS sur le couvercle pour faire « sortir » les verrous de côté de leurs rainures. Faute de quoi des dommages peuvent se produire. Le couvercle doit seulement être retiré en le faisant glisser vers l'avant (vers le panneau de contrôle).**
2. Pour replacer le couvercle arrière :
  - Placez le couvercle sur le socle-moteur à environ 1 po / 2,4 cm en avant de sa position normale.
  - Faites glisser le couvercle vers l'arrière de l'appareil (à l'opposé du panneau de contrôle). **Assurez-vous que les loquets latéraux glissent dans leurs rainures.**
  - Poussez jusqu'à ce que l'arrière du couvercle soit appuyé contre le socle-moteur (voir la figure D). **Avant d'insérer les vis de montage et de les serrer, assurez-vous que le couvercle soit bien en place à l'arrière et que les loquets latéraux soient dans leurs rainures.**
  - Remplacez et serrez fermement à la main les deux vis de montage du couvercle (voir la figure B). **Ne serrez PAS trop et n'utilisez PAS d'outils pour serrer. N'utilisez PAS les vis de montage pour tirer le couvercle arrière en position. Faute de quoi des dommages peuvent se produire.**

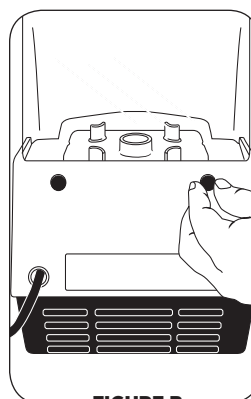


FIGURE B

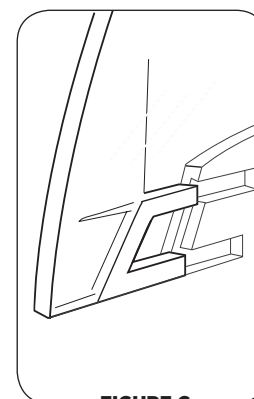


FIGURE C

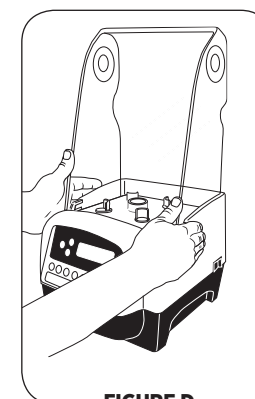


FIGURE D

## MONTAGE DE L'APPAREIL

### Couvercle deux pièces (Figure A)

Bol Advance® de 48 oz. / 1,4 L

Le couvercle deux pièces est facile à nettoyer, à installer, à enlever et à fermer.

- Pour enlever un couvercle complètement fermé, soulevez les deux languettes, tirez vers le haut et enlevez-le.
- Faites tourner le bouchon central du couvercle pour le fixer ou l'enlever.

### Couvercle d'une pièce (Figure B)

Bol Advance® de 48 oz. / 1,4 L

Le couvercle d'une pièce est facile à nettoyer, à installer, à enlever et à fermer.

- Ce couvercle ne dispose pas de bouchon.
- Les ingrédients peuvent être ajoutés par le port supérieur.



FIGURE A

Pour sécuriser le bouchon du couvercle, faites-le pivoter afin qu'un onglet se barre entre les encoches sur le dessus du couvercle de caoutchouc.

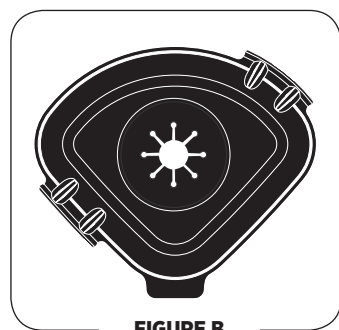
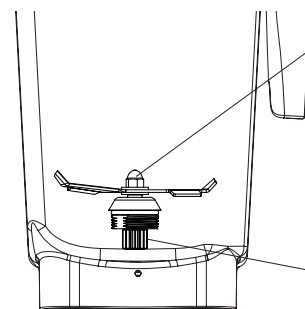


FIGURE B

### Assemblage de lames



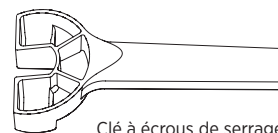
**Assemblage d'agitateur de lames :** L'assemblage de lames est constitué de lames de précision en acier trempé inoxydable ainsi que d'un roulement à billes doublement étanchéifié pour une durabilité maximum. L'assemblage de lames robuste fait littéralement exploser les molécules d'aliments et de glace dans le bol, ce qui aide à homogénéiser plus efficacement chaque préparation. Il n'est pas nécessaire de démonter les lames pour un nettoyage normal. (Consultez les informations ci-dessous pour le démontage ou le remplacement.)



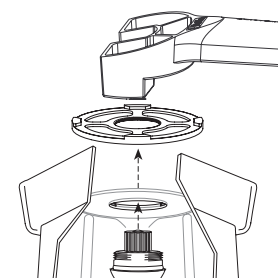
**Cannelure d'entraînement :** Insérez dans la douille d'entraînement sur le socle-moteur pour tourner la lame.

**Remarque :** Si vous retirez ou remplacez votre bol alors que l'accouplement est encore en rotation, les « rainures » de la cannelure d'entraînement seront endommagées. **(Cette pièce n'est PAS démontable.)**

**Écrou de serrage :** Il doit être bien serré. Commandez la clé à écrous de serrage pour obtenir un meilleur résultat. (Consultez les informations ci-dessous pour le démontage ou le remplacement.)



Clé à écrous de serrage



Utilisation de la clé à écrous de serrage

### Démontage de l'assemblage de lames

Il est parfois nécessaire d'effectuer un nettoyage supplémentaire des lames. La clé de démontage de l'assemblage de lames d'utilisation facile (Article n° 15596) peut être commandée. Retournez le bol et tenez-le fermement. Insérez la clé à écrous dans la gorge de l'écrou de serrage et tournez-la dans le sens inverse des aiguilles d'une montre pour desserrer. Prenez ensuite les lames avec un chiffon et démontez l'écrou de serrage à la main.

**Remplacement de l'assemblage de lames :** Mettez le bol à l'envers, prenez les lames avec un chiffon, insérez-les dans la base du bol et alignez-les avec les côtés plats de l'orifice du bol. Positionnez l'écrou de serrage et serrez à la main. À l'aide de la clé à écrous, tournez prudemment dans le sens des aiguilles d'une montre jusqu'à ce que l'assemblage de lames soit fermement en place. **Ne forcez pas.** S'il n'est pas assez serré, vous constaterez un bruit accru dans le bol.

### AVERTISSEMENTS!

N'utilisez jamais un assemblage de lames dont les pièces sont desserrées, endommagées ou ébréchées.

**Attention :** N'enlevez les lames ou l'assemblage de lames qu'en cas de nécessité absolue! N'essayez jamais de démonter l'assemblage de lames. Une telle tentative annulerait la garantie.

# INSTALLATION

## Appareil dans le comptoir

### Préparation de la surface du comptoir :

- Avant de couper les trous, assurez-vous qu'il y a suffisamment d'espace sous le comptoir pour le moteur. Le moteur descendra d'environ 5,7 po / 14,4 cm en dessous du comptoir, mais il est préférable de permettre au moins 10,0 po / 25,4 cm sous le comptoir pour des étagères ou tout autre équipement sous le comptoir. Aussi, lorsque vous utilisez le modèle avec couvercle amovible, l'arrière du trou doit être à au moins 4,3 po / 10,8 cm de tout mur afin de permettre suffisamment de jeu pour la porte du couvercle.
- Un espace supplémentaire de 4,0 po / 10,2 cm de libre au-dessus du haut du couvercle sera nécessaire pour placer et enlever l'appareil dans le comptoir.
- Si vous installez l'appareil dans une armoire avec des portes, y compris les boîtiers avec un rideau ou une jupe étendue, un conduit flexible (tuyau de sècheuse) de 4,0 po / 10,2 cm de diamètre doit être utilisé pour évacuer l'échappement. Fixez le conduit à la sortie d'échappement du bas en forçant l'extrémité du tuyau autour du déflecteur d'échappement de l'appareil. Faites sortir le conduit hors de l'armoire pour une bonne ventilation. De multiples appareils ne doivent pas être ventilés à un appareil collecteur commun, mais à des endroits distincts avec des conduits de ventilation séparés.
- Lors de la coupe des trous pour le placement de plusieurs appareils dans le comptoir, positionnez les côtés des appareils à au moins 12,0 po / 30,5 cm de séparation pour assurer un nettoyage rapide des appareils et une ventilation adéquate entre ces derniers.
- Il est recommandé pour une installation de 120 V dans le comptoir d'avoir au moins une prise de courant de 20 A par appareil sous le comptoir, disponible dans les 6 pi / 1,8 m de l'appareil. Les appareils de 220 V et de 100 V nécessitent une ligne dédiée. Consultez un électricien pour respecter les besoins en matière d'électricité.
- L'appareil dans le comptoir nécessite également un joint d'étanchéité (fourni dans l'emballage d'origine de l'appareil) qui doit être placé entre la machine et le comptoir.
- Reportez-vous au modèle Blending Station® Advance® dans le comptoir (fourni dans l'emballage d'origine de l'appareil) pour des directives d'installation détaillées et un modèle.

### ⚠ AVERTISSEMENTS!

Ne placez **pas** le tuyau d'évacuation dans un mur, un plafond ou le vide d'un immeuble ou d'un meuble.  
N'utilisez **pas** de colliers de serrage ou l'équivalent pour fixer le tuyau d'échappement sur l'appareil. Lorsque vous retirez le mélangeur du comptoir, retirez toujours le bol, la porte du couvercle et le couvercle arrière de l'appareil en premier. Ne frappez pas le mélangeur lorsque vous l'enlevez du comptoir. N'utilisez pas le joint d'étanchéité pour l'installation dans un comptoir sur un comptoir en bois. Il y aura une décoloration du comptoir.

### REMARQUES IMPORTANTES!

N'installez pas l'appareil dans un comptoir si la surface de ce dernier est en bois. Le joint d'étanchéité situé entre l'appareil et le comptoir laissera des marques noires permanentes sur le bois. La surface sous le comptoir doit avoir une ventilation adéquate pour assurer une circulation d'air autour de chaque moteur. Cela prolongera la durée de vie de votre appareil. Si vous stockez des poudres, mélanges, sucres, etc. autour de l'appareil, assurez-vous que les bols soient hermétiquement fermés. L'admission et l'échappement d'air causés par l'utilisation de l'appareil disperseront tout ingrédient laissé libre.

## Instructions d'installation du joint d'étanchéité

1. Suivez les instructions à la page 78 pour préparer la surface de comptoir en vue de l'installation de votre Blending Station® Advance® dans le comptoir. De plus, utilisez le modèle (fourni dans l'emballage d'origine de votre appareil) pour vous aider dans le placement et la ventilation de votre appareil.
2. Débranchez l'appareil. Posez l'appareil sur le dos avec le moteur pointant vers vous. Laissez de 1 à 2 po / 3 à 5 cm du socle-moteur dépasser sur le bord du comptoir pour faciliter le montage facile du joint d'étanchéité.
3. Faites glisser le cordon d'alimentation à travers le joint d'étanchéité, avec la rainure du joint d'étanchéité pointant vers la base de la machine.
4. En commençant par l'un des coins du socle-moteur, enfoncez le joint d'étanchéité sur ce socle-moteur de sorte que la rainure du joint se siège sur le bord inférieur renforcé du socle-moteur (voir la figure B).
5. En travaillant autour du bord inférieur du socle-moteur, enfoncez le joint d'étanchéité sur le socle-moteur jusqu'à ce que tout le périmètre du joint d'étanchéité soit fermement attaché au socle-moteur.
6. Placez délicatement l'appareil à l'intérieur du trou dans le comptoir.
7. Assurez-vous que le joint d'étanchéité est bien calé sur le socle-moteur et contre le comptoir.

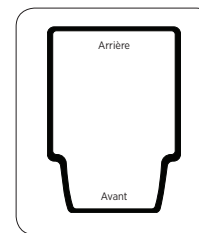


FIGURE A

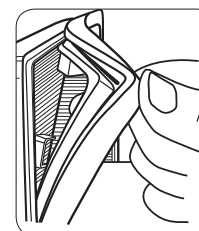
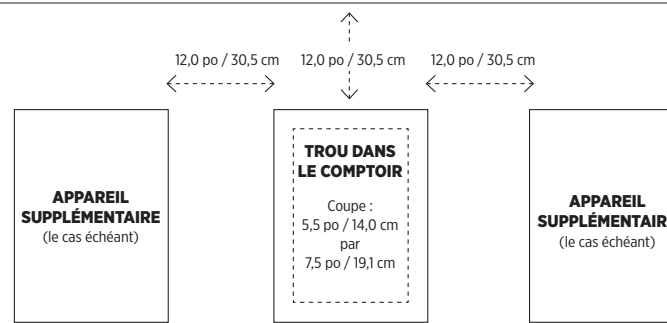


FIGURE B

### ⚠ AVERTISSEMENTS!

Ce joint a été conçu pour protéger votre appareil contre des dommages d'eau et pour réduire le bruit. Une installation inadéquate du joint d'étanchéité peut entraîner des dégâts causés par l'humidité. Ne sécurisez pas l'appareil au comptoir avec des matériaux adhésifs.

### Suspendu ou au mur



\* Consultez la page 92 pour les dimensions de l'appareil et les spécifications.

La distance recommandée entre les appareils et en dessous d'une tablette ou d'un mur : 12,0 po / 30,5 cm du bord de chaque appareil ou aussi loin que possible.



## ENTRETIEN DE VOTRE APPAREIL

### Produits nettoyants

Solid Supra, Solid Power, \_\_\_\_\_  
Guardian Acclaim, Solid Guardian Plus,  
Solid Super Impact, Solid Insure

Diverpak \_\_\_\_\_  
Eclipse H2, Liqui-Safe L7  
Acclean  
Poly-Brite

Glow MB-1 \_\_\_\_\_  
Lustre NC-25  
Lustre Plus

PSRA 41-D, PSRA 41-E \_\_\_\_\_  
Liqui-Ware 1, Liqui-Ware MC  
D-Flex, Sur-Met

### Produits de rinçage

Solid Rinse Dry, Solid Brilliance, \_\_\_\_\_  
Jet Dry, Rinse Dry

### Produit détachant

NuWare \_\_\_\_\_

### Fournisseurs aux É.-U.

**Ecolab, Inc.**, St. Paul, MN  
800 352-5326  
www.ecolab.com

**Diversey**, Livonia, MI  
800 521-8140

**Wesmar Company, Inc.**  
Seattle, WA 206 783-5344  
www.wesmar.com

**Anderson Chemical Co.**  
Litchfield, MN  
800 366-2477  
www.andersonchemical.com

**Ecolab, Inc.**, St. Paul, MN  
800 352-5326  
www.ecolab.com

**Diversey**, Livonia, MI  
800 521-8140

**Socle-moteur/Panneau de contrôle** : Débranchez la prise électrique et nettoyez doucement la surface extérieure avec un chiffon de coton humidifié dans une solution d'eau tiède\* et de détergent non-abrasif ou imbibé de produit nettoyant en aérosol. Faites attention à ne pas rayer ou frotter la fenêtre d'affichage du panneau de contrôle. **N'immergez jamais le socle-moteur dans l'eau ou dans d'autres liquides.** Séchez avec un chiffon en coton sec.

**Couvercle** : Lavez à l'eau savonneuse tiède. Rincez à l'eau courante et séchez.

**Porte du couvercle** : La porte du couvercle peut être enlevée (voir les pages 74 et 75) et nettoyée en la plaçant sous l'eau courante et en la lavant avec un chiffon doux. Essuyez-la et remettez-la ensuite en place sur la base.

**Joint d'étanchéité dans le comptoir et tampon de centrage du bol** : Le joint d'étanchéité dans le comptoir situé entre la base et la porte du couvercle peut être enlevé pour le nettoyage en le retirant simplement de la base une fois que le couvercle est enlevé. (Voir les pages 74 et 75 pour enlever le couvercle.)

Lavez le joint d'étanchéité et le tampon à l'eau tiède savonneuse. Rincez à l'eau courante et séchez. Réassemblez avant l'utilisation. Pour réinstaller le joint d'étanchéité, il suffit de le poser sur la base en s'assurant qu'il est bien ajusté contre le tampon de centrage. Remettez le couvercle comme indiqué à la page 75. Assurez-vous que le joint d'étanchéité est bien en place entre le mélangeur et le tampon de centrage. Le joint d'étanchéité et le tampon de centrage doivent être à plat sur le socle-moteur.

**Bol** : Le bol Advance® a été conçu pour résister aux produits chimiques. Cependant, pour une durée de vie maximale du bol, le lavage manuel est recommandé.

**Pour nettoyer** : Lavez toutes les pièces du bol dans de l'eau tiède savonneuse. Rincez et égouttez. Ne faites pas tremper l'assemblage de lames.\*\*

**Pour désinfecter** : Après avoir enlevé tous les résidus solides, remplissez le bol aux  $\frac{3}{4}$  avec une solution désinfectante.\*\*\* Réinstallez le bol sur le socle-moteur et positionnez fermement le couvercle deux pièces. Faites fonctionner l'appareil à haute vitesse pendant 30 secondes. Éteignez l'appareil et laissez la solution dans le bol pendant 1  $\frac{1}{2}$  minute supplémentaire. Versez la solution désinfectante. Réinstallez le bol sur le socle-moteur et laissez l'appareil fonctionner à vide pendant 5 secondes supplémentaires. Ne rincez pas après la désinfection. Laissez le bol sécher à l'air.

## REMARQUES IMPORTANTES!

**Produits nettoyants** : N'utilisez pas de produits nettoyants abrasifs ou d'eau de Javel concentrée pour le nettoyage. N'utilisez pas de nettoyants contenant des désinfectants quaternaires sur les composants en polycarbonate (p. ex. les bols ou les couvercles Advance®). N'utilisez jamais les produits nettoyants suivants : détergents de lave-vaisselle automatique, nettoyants de four, laines d'acier ou autres produits abrasifs.

**Couvercle** : Ne nettoyez pas la porte du couvercle, la poignée ou le couvercle arrière au lave-vaisselle. Il n'est pas recommandé de démonter la poignée lors du nettoyage. Toutefois, si vous décidez de démonter la poignée du couvercle, assurez-vous que celle-ci n'est pas trop serrée au moment de la réinstaller sur le couvercle. Faute de quoi des dommages peuvent se produire.

**Bol** : Ne laissez pas les préparations, les liquides ou les aliments sécher à l'intérieur du bol. Rincez après usage. Les aliments secs peuvent se coincer autour des lames et affaiblir/endomager le joint du roulement à billes lors du redémarrage. Ne mettez pas les bols au congélateur. Une température très basse associée à des aliments très chauds et/ou à l'action rapide et immédiate des lames peut fendre le bol. Il n'est pas recommandé de mettre ces pièces dans un four à micro-ondes ou un lave-vaisselle.

## REMARQUES IMPORTANTES!

**Assemblage de lames** : Ne faites pas tremper l'assemblage de lames.

\* Assurez-vous que l'éponge ou le chiffon utilisé est bien essoré lors du nettoyage à proximité des contrôles ou de toutes pièces.

\*\* Afin de prolonger la durée de vie du bol en polycarbonate, Vitamix recommande d'utiliser des savons avec un équilibre pH bas, comme un détergent à vaisselle liquide (Ivory Liquid®). En raison de la nature des polycarbonates, le lave-vaisselle n'est pas recommandé.

\*\*\* Solutions désinfectantes recommandées : 7,4 ml / 1,5 c. à thé d'eau de Javel industrielle ou domestique dans 1,9 L / 2,0 pintes d'eau.

## DÉPANNAGE

Problèmes :	Solutions possibles :
<ul style="list-style-type: none"> <li>Bruits forts provenant de l'assemblage de lames du bol du mélangeur</li> <li>Les lames du bol ne tournent pas</li> <li>Augmentation des vibrations</li> <li>Fuite de la base du bol</li> </ul>	<ol style="list-style-type: none"> <li>Douille d'entraînement cassée ou usée. Remplacez (article n° 891). Les instructions sont incluses avec l'article.</li> <li>Vérifiez que l'assemblage de lames ne contient pas de pièces desserrées, endommagées ou ébréchées et remplacez.</li> <li>Resserrez l'écrou de serrage avec la clé à écrous en tournant dans le sens des aiguilles d'une montre jusqu'à ce qu'il soit bien ajusté (voir la page 77).</li> </ol>
<ul style="list-style-type: none"> <li>Grincement bruyant du moteur du mélangeur</li> </ul>	<p>Roulements du moteur endommagés, votre appareil a peut-être besoin d'être réparé.</p>
<ul style="list-style-type: none"> <li>L'appareil ne fonctionne pas</li> <li>La fenêtre d'affichage n'indique pas « Ready »</li> </ul>	<ol style="list-style-type: none"> <li>Vérifiez que le cordon d'alimentation est fermement branché à la prise de courant.</li> <li>Vérifiez pour vous assurer que l'interrupteur On/Off (Marche/Arrêt) est en position « On ».</li> <li>Positionnez l'interrupteur On/Off (Marche/Arrêt) sur « Off », puis en position « On » afin de redémarrer l'électronique.</li> </ol>
<ul style="list-style-type: none"> <li>L'appareil se met en marche et s'éteint par la suite</li> </ul>	<p>Assurez-vous que l'alimentation se rend à l'appareil.</p>
<ul style="list-style-type: none"> <li>La fenêtre d'affichage indique « SHUT DOWN SEE MANUAL »</li> </ul>	<p>Laissez l'appareil refroidir pendant une heure, puis redémarrez-le.</p>
<ul style="list-style-type: none"> <li>La fenêtre d'affichage indique « MOTOR LOCKED PROGRAM TERMINATED »</li> </ul>	<p>Laissez l'appareil refroidir pendant une heure, puis redémarrez-le.</p>
<ul style="list-style-type: none"> <li>Le fonctionnement de l'appareil est irrégulier</li> <li>« NO PROGRAM » s'affiche lorsqu'un bouton est enfoncé</li> <li>Le bouton enfoncé démarre le mauvais programme</li> <li>L'appareil démarre par lui-même</li> <li>Un bouton de programme en particulier est défectueux</li> <li>L'appareil ne fonctionne, mais lors du premier essai</li> <li>L'appareil fonctionne, mais aucune information n'est affichée à l'écran</li> <li>Les boutons de programme font fonctionner le mélangeur à la même vitesse</li> </ul>	<ol style="list-style-type: none"> <li>Éteignez l'appareil et remettez-le en marche à nouveau pour réinitialiser la programmation.</li> <li>Essayez de brancher l'appareil dans une autre prise de courant.</li> </ol>

Problèmes :	Solutions possibles :
<ul style="list-style-type: none"> <li>La fenêtre d'affichage indique « CORRUPT DATA »</li> </ul>	<p>Éteignez l'appareil et remettez-le en marche à nouveau pour réinitialiser la programmation.</p>
<ul style="list-style-type: none"> <li>La fenêtre d'affichage indique « THERMAL SENSOR FAILURE »</li> </ul>	<p>Appelez le Soutien technique Vitamix.</p>
<ul style="list-style-type: none"> <li>L'appareil s'arrête au milieu de son cycle de mélange et se réinitialise; la fenêtre d'affichage indique « VITAMIX GENERAL PROGRAM », puis « READY »</li> </ul>	<ol style="list-style-type: none"> <li> Branchez l'appareil dans sa propre source d'alimentation.</li> <li> Assurez-vous que l'appareil ne fonctionne pas avec une rallonge électrique.</li> </ol>

## Refroidissement du moteur

### Si l'appareil a surchauffé :

- Le moteur s'arrêtera et le message « MOTOR HAS OVERHEATED REMOVE THE CONTAINER, THEN PRESS START » défilera sur la fenêtre d'affichage, tandis que les mots « HOT SHUTDOWN » resteront sur la fenêtre d'affichage pour vous avertir du problème.
- L'appareil ne fonctionnera pas jusqu'à ce que le bol soit retiré et que le moteur ait refroidi. Retirez le bol, fermez la porte du couvercle et appuyez sur l'interrupteur START/STOP (Démarriage/Arrêt) et faites fonctionner l'appareil pendant 2 minutes.
- Lorsque le moteur sera refroidi, le mot « READY » apparaîtra dans la fenêtre d'affichage.

**Si vous n'arrivez pas à réparer votre appareil avec ces suggestions**, vous pouvez communiquer avec le Service d'assistance technique Vitamix® au (800) 886.5235. Si vous avez acheté votre appareil en dehors des É.-U., contactez votre distributeur Vitamix local, ou prenez contact avec la Division internationale Vitamix au +1 (440) 782.2450 ou par courriel [international@vitamix.com](mailto:international@vitamix.com) pour trouver un distributeur dans votre pays. Pour l'assistance en ligne, visitez [vitamix.com](http://vitamix.com).

# GARANTIE

## ENTRETIEN DU MÉLANGEUR VITAMIX

**Afin de maximiser la durée de vie et le bon fonctionnement de votre produit Vitamix®, il est important de suivre quelques conseils simples d'entretien :**

1. Inspectez régulièrement la douille d'entraînement pour vérifier que celle-ci n'est pas usée, fendue, craquée ou brisée. En cas de dommages, remplacez la douille d'entraînement par la douille de remplacement incluse avec votre mélangeur. Pour acheter des douilles d'entraînement supplémentaires, contactez Vitamix au 1 800 866-5235 pour trouver un concessionnaire près de chez vous. Pour les clients hors des É.-U., communiquez avec votre distributeur Vitamix autorisé ou communiquez avec la Division internationale de Vitamix au +1 440 782-2450 ou par courriel, à l'adresse suivante : international@vitamix.com pour trouver un distributeur près de chez vous.
2. Faites tourner à la main l'assemblage de roulement à billes des lames pour vous assurer qu'il tourne sans hésitations, mais pas trop librement. Si la rotation de la lame hésite ou est trop aisée, contactez Vitamix pour obtenir des informations relatives à la garantie ou pour trouver le concessionnaire le plus près de chez vous.
3. Ne faites jamais fonctionner l'appareil sans que le socle de centrage soit correctement placé sur la base, et ne retirez jamais le contenant de la base avant l'arrêt du mélangeur et avant que les lames n'aient cessé de tourner.

## GARANTIE LIMITÉE (à moins d'indication contraire dans le Contrat)

Vita-Mix® Corporation (ci-après « Vitamix ») garantit à l'utilisateur final original (l'« Acheteur ») que ses mélangeurs commerciaux Vitamix (consistant en un socle-moteur, un contenant et un couvercle, collectivement désignés ci-après comme le « Matériel ») seront exempts de défauts matériels et de fabrication pendant la période de garantie applicable au Matériel tel que décrite ici et sont soumis aux conditions déterminées ci-dessous. Une preuve d'achat est requise.

Ce qui suit constitue les seuls recours de l'Acheteur et établit les seules obligations de Vitamix à l'égard de la garantie.

Aucun employé de Vitamix ni aucune autre personne n'est autorisé à offrir une garantie supplémentaire ou à apporter des modifications à la présente garantie.

## OBJET DE LA GARANTIE

### A. Garantie du socle-moteur (y compris le tableau de commande et la tablette tactile) :

Vitamix garantit à l'utilisateur final original que :

- Si le socle-moteur présente un défaut matériel ou de fabrication dans les trente (30) jours de la date de l'achat, Vitamix remplacera le socle-moteur par un nouveau socle-moteur.
- Si le socle-moteur tombe en panne entre trente (30) jours et un (1) an après la date d'achat en raison d'un défaut matériel ou d'un défaut de fabrication, Vitamix assumera la responsabilité du coût des pièces détachées et de la main-d'œuvre nécessaires à la réparation du socle-moteur.
- Si le socle-moteur tombe en panne entre un an et trois (3) ans après la date d'achat en raison d'un défaut matériel ou d'un défaut de fabrication, Vitamix assumera la responsabilité du coût des pièces nécessaires à la réparation du socle-moteur.

**B. Garantie concernant les éléments suivants : contenant, couvercle, bouchon du couvercle, socle de centrage, module des lames, douille d'entraînement et boîtier antibruit (si inclus) :** Vitamix garantit à l'utilisateur final original que si le boîtier antibruit, le contenant, le couvercle, le module des lames ou la douille d'entraînement se brise dans l'année qui suit la date d'achat en raison d'un défaut matériel ou d'un défaut de fabrication, Vitamix assumera la responsabilité du coût de toutes les pièces et de la main-d'œuvre nécessaires à la réparation de la pièce.

La seule obligation de Vitamix dans le cadre de cette garantie est de remplacer ou de réparer la pièce sous garantie tel que le détermine exclusivement Vitamix.

**EN AUCUN CAS, QU'IL S'AGISSE DE CONTRAT, D'INDEMNITÉS, DE GARANTIE, DE DÉLIT (Y COMPRIS LA NÉGLIGENCE), DE RESPONSABILITÉ OU AUTRE, VITAMIX NE PEUT ÊTRE TENUE RESPONSABLE DE DOMMAGES PARTICULIERS, INDIRECTS, ACCIDENTELS OU CONSÉCUTIFS POUVANT INCLURE, SANS LIMITATION, LES PERTES DE PROFIT OU DE REVENUS. LA GARANTIE LIMITÉE CI-DESSUS CONSTITUE VOTRE UNIQUE RECOURS, ET VOUS-MÊME ET VITAMIX DÉCLINEZ EXPRESSÉMENT TOUTE AUTRE GARANTIE OU CONDITION, EXPRESSE OU TACITE, LÉGALE OU AUTRE, Y COMPRIS TOUTE GARANTIE TACITE RELATIVE À LA QUALITÉ MARCHANDE OU D'APTITUDE À UN USAGE PARTICULIER ET, SANS LIMITER LA GÉNÉRALITÉ DE CE QUI PRÉCÈDE, VOUS-MÊME ET VITAMIX EXCLUENT EXPRESSÉMENT, DANS LE CADRE AUTORISÉ PAR LA LOI, L'APPLICATION DE TOUTE LÉGISLATION RELATIVE À LA VENTE DE BIENS ET LA CONVENTION DES NATIONS-UNIES SUR LES CONTRATS DE VENTE INTERNATIONALE DE MARCHANDISES, S'IL Y A LIEU.**

Certaines juridictions ne permettent pas de limitation des garanties implicites ou des dommages particuliers, indirects ou consécutifs.

## EXCLUSIONS DE LA GARANTIE (choses non couvertes)

**La garantie ne rembourse pas les frais de réparation attribuables à ce qui suit :**

- A. L'usure normale;
- B. Une utilisation excessive, inadéquate ou négligente;
- C. Une altération du Matériel, y compris, sans s'y limiter, le socle-moteur, le contenant, le couvercle ou le boîtier antibruit.
- D. L'exposition à des conditions extrêmes;
- E. Une installation inadéquate du Matériel, y compris, sans s'y limiter, un mauvais travail de main-d'œuvre et le défaut de suivre les instructions fournies et (ou) une mauvaise ventilation des modèles « de comptoir » du mélangeur.

## PORTÉE DE LA GARANTIE (conditions de la garantie)

La garantie contenue ici n'est valable que pour l'utilisateur final original et elle n'est pas transférable. Une preuve d'achat est requise pour toute demande de garantie.

Toute garantie offerte par Vitamix est valide uniquement si elle est utilisée selon a) le guide de l'utilisateur, qui se trouve également à l'adresse [www.vitamix.com](http://www.vitamix.com); b) la garantie expresse et c) toute instruction d'entretien, peu importe le moment où elle est fournie.

**GARANTIE LIMITÉE** suite à la page 86 ►

# GARANTIE

## ANNULATION DE LA GARANTIE

La garantie du produit est invalide si :

- Le mélangeur est placé dans un boîtier antibruit non fabriqué par Vitamix.
- Une composante d'une pièce garantie du Matériel a été modifiée, altérée, « remise à neuf » ou réparée par une personne autre qu'un employé de Vitamix, un Centre de service Vitamix autorisé ou un distributeur Vitamix autorisé.
- Une composante garantie par Vitamix est utilisée avec une composante non autorisée expressément par Vitamix (c.-à-d. utilisation d'un contenant Vitamix avec un socle-moteur autre que de marque Vitamix et (ou) utilisation d'un socle-moteur Vitamix avec un contenant autre que de marque Vitamix).
- Une pièce du mélangeur est mal installée, y compris, sans s'y limiter, en raison d'un mauvais travail de main-d'œuvre, d'un défaut de suivre les spécifications fournies et (ou) d'une ventilation inadéquate des modèles « de comptoir ».

## COMMENT FAIRE RESPECTER LA GARANTIE ET OBTENIR DES RÉPARATIONS

### À qui s'adresser pour tout entretien et toute réparation couverts par la garantie :

Advenant le cas où votre mélangeur Vitamix aurait besoin d'entretien ou de réparations selon les conditions de cette garantie, veuillez appeler Vita-Mix Corporation, un centre de service autorisé ou un distributeur local pour obtenir de l'aide relativement à la garantie.

- **Pour les appareils achetés et situés aux É.-U. :**  
Appelez le Soutien technique de Vitamix au numéro suivant : 1 800 886-5235.
- **Si vous avez acheté le Matériel à l'extérieur du territoire continental des États-Unis :**  
Communiquez avec votre distributeur Vitamix autorisé ou communiquez avec la Division internationale de Vitamix au +1 440 782-2450 ou par courriel, à l'adresse suivante : [international@vitamix.com](mailto:international@vitamix.com) pour trouver un distributeur près de chez vous.

Vous devrez fournir une preuve d'achat du Matériel. Si l'équipe de soutien technique à distance ne peut réparer le Matériel à distance, le Matériel devra faire l'objet d'entretien. L'équipe vous aidera à trouver un centre de service autorisé ou à prendre les arrangements requis pour expédier le Matériel à Vitamix.

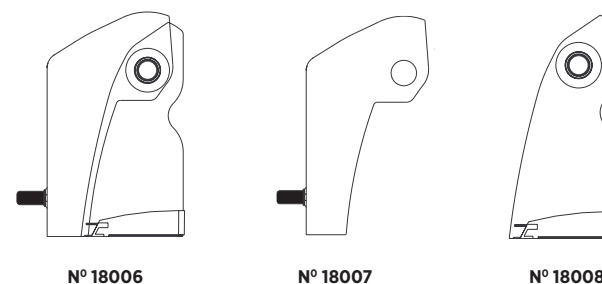
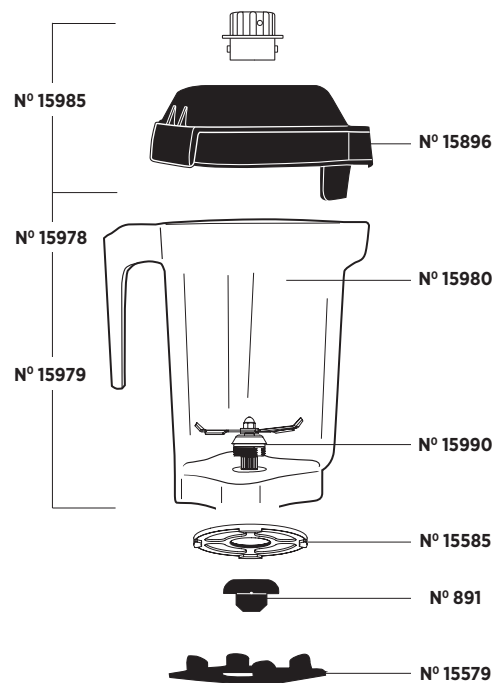
## COMMENT EXPÉDIER LE MATÉRIEL À VITAMIX EN VUE DE LA RÉPARATION

- A. Obtenez un Numéro d'autorisation de retour avant l'expédition.** Ne retournez pas et n'envoyez pas le Matériel sans l'autorisation de Vitamix. Vitamix n'assumera en aucun cas la responsabilité du coût de réparations non autorisées. Tous les produits retournés doivent avoir leur Numéro d'autorisation de retour (« RA ») inscrit clairement sur l'extérieur de leur boîte. Tout Matériel envoyé à Vitamix sans autorisation ou accord préalable sera renvoyé à l'adresse de l'expéditeur « tel quel », sans réparation.
- B. Emballez correctement l'article à retourner.** Tout article renvoyé à Vitamix doit être expédié dans son emballage d'origine ou dans un emballage suffisant.

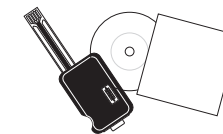
## LISTE DE PIÈCES

### Blending Station® Advance®

- N° 15092** Couvercle anti-éclaboussures pour bol Advance® de 48 oz. / 1,4 L
- N° 15986** Couvercle seulement (sans bouchon) pour bol Advance® de 48 oz. / 1,4 L
- N° 15985** Assemblage couvercle deux pièces pour bol Advance® de 48 oz. / 1,4 L
- N° 15978** Bol Advance® de 48 oz. / 1,4 L avec assemblage de lames et assemblage de couvercle
- N° 15980** Bol Advance® de 48 oz. / 1,4 L seulement
- N° 15979** Bol Advance® de 48 oz. / 1,4 L avec assemblage de lames, sans assemblage de couvercle
- N° 15990** Assemblage d'agitateur de lames Advance®
- N° 15585** Écrou de serrage
- N° 891** Douille d'entraînement
- N° 15579** Tampon de centrage réducteur de bruit
- N° 18006** Couvercle arrière compact et porte de couvercle avec un design de charnière amovible
- N° 18007** Porte de couvercle compacte
- N° 18008** Couvercle arrière compact
- N° 18005** Vis en métal avec bouchons en plastique (2)
- N° 15603** Joint d'étanchéité dans le comptoir



#### Articles vendus séparément :



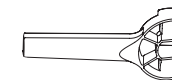
**N° 15606**  
Ensemble de logiciel -  
Version USB



**N° 15644**  
Puce de programmation  
supplémentaire pour  
ensemble de logiciel



**N° 15988**  
Couvercle d'une pièce



**N° 15596**  
Clé à écrous de serrage

### REMARQUES IMPORTANTES!

- À l'extérieur des É.-U. et du Canada, il est possible que votre appareil soit livré avec une configuration de bol différente. Contactez votre distributeur Vitamix local pour connaître les numéros des articles.
- Mis à part la douille d'entraînement, l'assemblage de lames et l'écrou de serrage, cet appareil ne peut être réparé par l'utilisateur.



**N° 18005**



**N° 15603**



# SPÉCIFICATIONS

## Blending Station® Advance®

### Installation électrique :

- 120 V, 50/60 Hz, 15 A
- Utilise une prise américaine à trois broches mise à la terre.
- L'utilisation d'une prise de courant de 20 A par appareil est recommandée.

### Ne pas utiliser de rallonge électrique avec cet appareil.

- 220 – 240 V, 50/60 Hz, 1300 – 1550 Watts
- 100 V (Japon), 50/60 Hz, 1000 Watts

### Dimensions sur le comptoir :

- 19,4 po / 49,2 cm de haut avec le couvercle fermé
- 27,2 po / 68,9 cm de haut avec le couvercle ouvert
- Profondeur : 10,5 po / 26,7 cm avec la poignée
- Largeur : 9,3 po / 23,5 cm

### Dimensions dans le comptoir :

- 15,0 po / 38,1 cm de haut avec le couvercle fermé
- 22,5 po / 57,2 cm de haut avec le couvercle ouvert
- Profondeur : 10,5 / 26,7 cm po avec la poignée
- Largeur : 9,3 po / 23,5 cm
- Profondeur en dessous du comptoir : 5,7 po / 14,4 cm

S'il y a lieu :



Pour découvrir la gamme complète des produits Vitamix®,  
visitez [vitamix.com](http://vitamix.com)



### Vitamix® Corporation Division commerciale

8615 Usher Road, Cleveland, Ohio 44138 É.-U.

Tél. : +1 (440) 235.0214 Courriel : [commercial@vitamix.com](mailto:commercial@vitamix.com)

©2012 Vitamix Corporation. Cette publication ne peut être reproduite ou transmise, même en partie, dans n'importe quelle forme ou par n'importe quel moyen ou stockée dans une banque de données ou un système d'extraction sans la permission écrite de Vitamix Corporation.

Imprimé aux É.-U. 102916 12/12