



ALL-NEW PEUGEOT 2008

PRICES, EQUIPMENT, OPTIONS & TECHNICAL SPECIFICATIONS

JANUARY 2021: E & OE



PEUGEOT

STANDARD SPECIFICATION

Safety & Security

- ABS (Anti-lock Braking System) with EBD (Electronic Braking Distribution) and EBA (Emergency Braking Assistance)
- Airbags: Driver and front passenger airbags (includes passenger airbag deactivation function)
- Airbags: Front and rear curtain airbags
- Automatic door locking when moving off
- Automatic hazard light activation upon heavy brake application
- Child locking functionality on rear doors
- Deadlocking
- Electronic code immobiliser
- ESP (Electronic Stability Programme) with Hill Start Assist
- Front optimised safety headrests and rear retractable headrests (x3), height-adjustable
- Front three-point retractable seatbelts, with force limiters
- Front and rear disc brakes
- Gear Shift Indicator (manual version only)
- Headlights 'left on' audible warning
- Isofix child seat fittings (x2) in the second row
- PEUGEOT Connect SOS and Assistance
- Programmable cruise control and speed limiter
- Lane Keeping Assist
- Speed limit recognition and recommendation
- Driver attention warning
- Seatbelt unfastened on the move with audible and visual alert for front and rear seats
- Puncture repair kit
- Tyre pressure sensors
- Exterior temperature indicator with ice warning
- EV versions come with 7.4kW monophase on board charger
- Mode 2 standard domestic charging cable - plug (EV versions)

Lighting & Visibility

- Rear reversing lights
- Rear full LED 3D PEUGEOT signature 'Claw Effect' lights (with daylight function)
- Visibility pack: automatic headlights
- Visibility pack: 'follow me home' headlights
- Visibility pack: automatic windscreen wipers

Comfort and Convenience

- Electric power steering with reach and rake adjustable steering column
- Front windscreen wiper with 'Magic Wash' cleaning system
- Map pockets on front seat backs
- Multifunction trip computer
- 'One-touch' electric front and rear windows with pinch protection
- PEUGEOT i-Cockpit®: compact steering wheel
- PEUGEOT i-Cockpit®: 7.0" capacitive colour touchscreen
- Push button start
- Tailgate with heated rear windscreen & wiper blade

Interior Features

- Dashboard, front and rear door panel finish: Carbon effect
- Rear windscreen wiper triggered automatically in reverse gear
- Gear lever – automatic in full grain leather and satin chrome
- Gear lever – manual in satin chrome (6 speed gearbox)
- 'Piano' keys: Gloss black plated toggle switches to access main functions of the vehicle
- Seating: 1/3 – 2/3 folding seat
- Seating: driver and front passenger seat manual adjustment (longitudinal and back rest angle)

In Car Entertainment

- Bluetooth® telephone facility
- DAB Radio (Digital Audio Broadcasting)
- Mirror Screen®: with Apple CarPlay™ and Android Auto connectivity
- Smartphone docking station
- Voice recognition (radio, navigation and telephony features)
- 6-Speaker radio, MP3 compatible
- 12v socket

Exterior Features

- Body-colour exterior door handles
- Gloss black rear cluster connecting strip
- Model designation badges front and rear



ACTIVE

(Available as Petrol, Diesel and EV)



Active Specification

EXTERIOR FEATURES

- 16" 'Elborn' alloy wheels
- Door mirror shells: Colour coded
- Radiator grille: Chrome chequered
- Radiator grille: body-colour chequered and gloss black edge trim (EV versions)
- Colour coded rear spoiler
- Dichroic badging including front lion, 'e' monogram on C-pillar and tailgate (EV versions)

COMFORT AND CONVENIENCE

- Automatic air conditioning
- Pre-heating functionality (EV versions)
- Low centre console
- High centre console with 2 cup holders (EV versions)
- Central front armrest with storage compartment (EV versions)
- Electric, heated and power folding door mirrors
- Manual rear view mirror
- Manual parking brake
- Electric parking brake (EV versions)
- Parking sensors - rear
- PEUGEOT i-Cockpit® with 3.5" instrument panel display
- Visiopark 180-Colour reversing camera
- eTSR (extended traffic sign recognition)

INTERIOR FEATURES

- Leather steering wheel
- Seating: driver and front passenger comfort seats
- Seating: Tri-material 'Pneuma' and 'Rimini' cloth seat trim with orange double stitch detail

SAFETY AND SECURITY

- Automatic emergency braking
- Active Safety Brake (Night function, cyclists, pedestrians) (EV versions)

LIGHTING AND VISIBILITY

- Eco LED headlights
- LED daytime running lights
- LED foglights with cornering function

IN CAR ENTERTAINMENT

- USB Socket (x1) front
- USB Socket (x2) front including 1 USB-C (EV versions)
- USB Socket (x2) rear (EV versions)

ALLURE

(Available as Petrol, Diesel and EV)



Active Specification +

EXTERIOR FEATURES

- 17" 'Salamanca' diamond cut alloy wheels
- Gloss black B-pillar
- Gloss black longitudinal roof bars
- Rear bumper with gloss black finish

INTERIOR FEATURES

- Seating: Tri-material 'Traxx' leather effect and 'Isabella' cloth seat trim with light blue double stitch detail

COMFORT AND CONVENIENCE

- High centre console with 2 cup holders
- Central front armrest with storage compartment
- Passenger seat height adjustment
- Electrochrome rear view mirror
- Electric parking brake
- PEUGEOT 3D i-Cockpit®: Configurable 3D head-up instrument panel
- Dark tinted rear side and tailgate windows
- Modular boot floor

IN CAR ENTERTAINMENT

- USB Socket (x2) front including 1 USB-C
- USB Socket (x2) rear



NEW PEUGEOT 2008: STANDARD EQUIPMENT BY VERSION - GT

GT

(Available as Petrol, Diesel and EV)



Allure Specification +

COMFORT AND CONVENIENCE

- Frameless Electrochrome rear view mirror
- Heated front seats
- PEUGEOT 3D i-Cockpit®: 10" capacitive colour touchscreen
- 3D Navigation
- Parking sensors – front

EXTERIOR FEATURES

- Door mirror shells: Nera Black
- GT model designation badging (Petrol/Diesel versions)
- Radiator grille: Dark chrome chequered and gloss black edge trim
- Rear lower bumper gloss black 'diffuser effect' trim
- Exhaust pipe: twin chrome right hand side (Petrol/Diesel versions)
- Diamond Black roof
- Diamond Black rear spoiler

SAFETY AND SECURITY

- Active Safety Brake (night function, cyclist, pedestrians)

INTERIOR FEATURES

- Seating: Tri-material 'Capy' leather effect and 'Isabella' cloth seat trim with lime green double stitch detail
- Mistral full-grain perforated leather steering wheel with Aikinite stitch detail and satin chrome 'GT' emblem
- Lime green contrast stitching to armrest, front centre console, door panels and dashboard fascia
- 8-colour personalisable ambient lighting

LIGHTING AND VISIBILITY

- Full LED headlights with Smartbeam Assist
- LED daytime running lights: 3-Claw Headlight with distinctive 'Tooth' design

Images used for illustration purposes only. Wheel trims vary according to market. Please refer to alloy wheel options.

NEW PEUGEOT 2008: PRICE LIST



ACTIVE

Model Description	Fuel Type	Speed	WLTP Co2	Tax Band	Annual Road Tax	RRSP*
1.2 Puretech 100bhp	Petrol	6-Speed	123	B1	€200	€24,450
1.2 Puretech 130bhp	Petrol	6-Speed	125	B1	€200	€25,950
1.2 Puretech 130bhp Auto	Petrol	8-Speed	134	B2	€210	€28,450
1.5 BlueHDI 100bhp	Diesel	6-Speed	115	A6	€190	€27,100
Electric 136bhp (50 kWh)	Electric	1-Speed	0	A	€120	€31,262**



ALLURE

1.2 Puretech 100bhp	Petrol	6-Speed	125	B1	€200	€26,100
1.2 Puretech 130bhp	Petrol	6-Speed	127	B1	€200	€27,800
1.2 Puretech 130bhp Auto	Petrol	8-Speed	136	B2	€210	€30,400
1.5 BlueHDI 110bhp	Diesel	6-Speed	117	A6	€190	€28,995
Electric 136bhp (50 kWh)	Electric	1-Speed	0	A	€120	€32,808**



GT

1.2 Puretech 130bhp	Petrol	6-Speed	127	B1	€200	€30,280
1.2 Puretech 130bhp Auto	Petrol	8-Speed	136	B2	€210	€32,880
1.2 Puretech 155bhp Auto	Petrol	8-Speed	141	C1	€270	€34,450
1.5 BlueHDI 110bhp	Diesel	6-Speed	117	A6	€190	€31,500
Electric 136bhp (50 kWh)	Electric	1-Speed	0	A	€120	€35,010**

* Dealer delivery related charges, metallic paint and tyre recycling levy not included

** Includes SEAI grant and VRT Rebate

ALL-NEW PEUGEOT 2008

100% ELECTRIC WITHOUT COMPROMISE

LIVE THE POWER OF CHOICE

The all-new PEUGEOT 2008 SUV is not only available with a choice of petrol or diesel powertrains but is also available as an 100% electric vehicle.

The all-new PEUGEOT e-2008 SUV features the following key elements:

TECHNICAL

Electric 50 kWh 136hp motor

The all-new PEUGEOT e-2008 SUV offers a lively and stimulating drive thanks to its 100% electric powertrain. You benefit from immediate reactivity with 260Nm of torque from 0kph. The silent engine offers a serene* drive without vibration.

e-CMP platform

The new e-CMP platform has been developed to incorporate a high voltage battery whilst preserving space on board and boot volume. Particular attention was given to weight reduction and balance to make sure the driving experience in the all-new PEUGEOT 2008 SUV is as rewarding as possible.

Range 310km WLTP

Charging flexibility with 3 modes available:

Domestic (AC): 10A /3kW from a regular socket, full charge in 24 hours (accessory cable needed).

Fast (AC) 32A / 7kW from a Wall Box, full charge in 7.5 hours.

Rapid (DC) 100kW from a dedicated public terminal, 80% charged in 30 minutes.

USAGE

3 driving modes

In the all-new PEUGEOT e-2008 SUV you will be able to chose between 3 driving modes:

- Sport: priority given to performance (0-100kph in 8.1s)
- Normal: daily usage
- Eco: priority given to range

2 braking modes

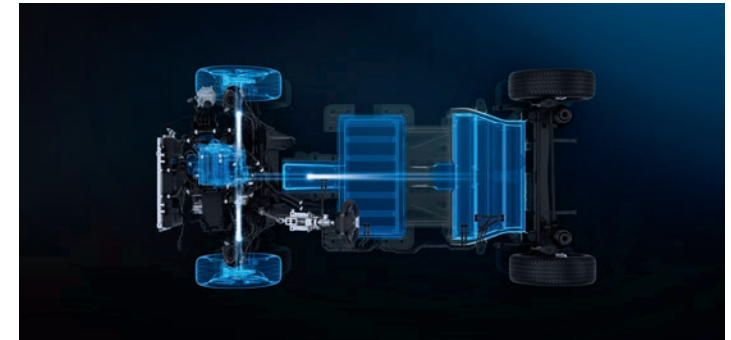
The all-new PEUGEOT e-2008 SUV also benefits from 2 braking modes that helps you make the best of your range:

- Moderate: sensation similar to an ICE engine
- Emphasised: deceleration controlled with accelerator pedal

Specific animations

The all-new PEUGEOT e-2008 SUV features specific technological animations and menus on the touch-screen so that you can access easily all the information needed.

*Take care when driving as other road users may not be accustomed to electric vehicles. All-new PEUGEOT e-2008 SUV is fitted with an acoustic vehicle alerting system.



MYPEUGEOT® APPLICATION

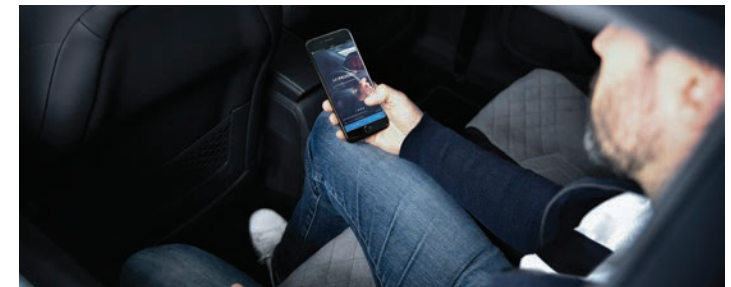
- **Charge management:** Control, plan, launch and check the vehicle's charge remotely
- **Climate preset:** Remotely plan and control the heating or air conditioning in the interior of your car
- **e-Coaching:** Consumption logs and statistics

EXTERIOR STYLING

The all-new PEUGEOT e-2008 SUV comes with distinctive and exclusive touches, a body coloured chequered front grille with gloss black edge trim.

The Lion logo featuring a specific dichroic treatment which changes colour from different angles depending on the exterior lighting.

An 'e' monogram on the front side panel and tailgate.



NEW PEUGEOT 2008: OPTIONS PRICE LIST

ALL-NEW PEUGEOT 2008 CHOOSE YOUR OPTIONS (1/2)

	CODE	 ACTIVE	 ALLURE	 GT	RRSP
PAINT					
Bianca White (available on Petrol / Diesel versions only)	P0WP	<input type="radio"/>	<input type="radio"/>	-	€235
Onyx Black	P0XY	<input type="radio"/>	<input type="radio"/>	<input type="radio"/>	€370
Metallic paint	M0..	<input type="radio"/>	<input type="radio"/>	<input type="radio"/>	€565
Special / pearlescent paint (Vertigo Blue, Elixir Red, Pearl White)	M6../M5..	<input type="radio"/>	<input type="radio"/>	<input type="radio"/>	€760
SAFETY AND SECURITY					
Active Safety Brake (night function, cyclists, pedestrians)	ZVCA	<input type="radio"/> /● EV	<input type="radio"/> /● EV	●	€450
Drive Assist Pack: Adaptive Cruise Control	ZVCB	-	<input type="radio"/>	<input type="radio"/>	€750 - Allure €295 - GT
Drive Assist Pack Plus: Adaptive Cruise Control with Stop and Go (EAT8 versions) + Lane Positioning Assist	ZVCC	-	<input type="radio"/>	<input type="radio"/>	€935 - Allure €490 - GT
COMFORT & CONVENIENCE					
Semi Auto Park Assist	WY45	-	-	<input type="radio"/>	€685
11 kW triphase On board charger (EV versions)	LZ04	<input type="radio"/>	<input type="radio"/>	<input type="radio"/>	€390
Peugeot 'Open and Go' handsfree access and start	YD07	-	<input type="radio"/>	<input type="radio"/>	€390
Grip control including hill descent control and drive mode selector (Not available for EV versions) €390 - optional on Allure and GT Line	UFO2	-	<input type="radio"/> /- EV	<input type="radio"/> /- EV	€585

= Optional. ● = Standard. - = Not available.

NEW PEUGEOT 2008: OPTION PRICE LIST

ALL-NEW PEUGEOT 2008 CHOOSE YOUR OPTIONS (2/2)

KEY: ○ = Optional. ● = Standard. - = Not available.



CODE

ACTIVE

ALLURE

GT

RRSP

INTERIOR FEATURES

Seating: Nappa full grain leather seat trim with 'Asphalt' double stitch detail, Driver seat multi-way electric adjustment (includes electric lumbar adjustment), Driver seat multi-point massage function (not available on EV)

4HFX

-

-

○

€1950 GT

CONNECTED 3D NAVIGATION

10" capacitive colour touchscreen with 3D Navigation

ZJ17

-

○

●

€975

Smartphone charging plate

E301

○

○

○

€195

EXTERIOR FEATURES

Cielo panoramic glass roof

TC07

-

○

○

€1170



NEW PEUGEOT 2008: RANGE EQUIPMENT

ALL-NEW PEUGEOT 2008 EQUIPMENT (1/3)



SAFETY & SECURITY

	ACTIVE	ALLURE	GT
ABS (Anti-lock Braking System) with EBD (Electronic Braking Distribution) and EBA (Emergency Braking Assistance)	●	●	●
Airbags: Adaptive driver and front passenger airbags (includes passenger airbag deactivation function)	●	●	●
Airbags: Front and rear curtain airbags	●	●	●
Automatic door locking when moving off	●	●	●
Automatic hazard light activation upon heavy brake application	●	●	●
Child locking functionality on rear doors	●	●	●
Deadlocking	●	●	●
Electronic code immobiliser	●	●	●
ESP (Electronic Stability Programme) with Hill Start Assist	●	●	●
Front optimised safety headrests and rear retractable headrests (x3), height-adjustable.	●	●	●
Front and rear three-point retractable seatbelts, with force limiters	●	●	●
Front and rear disc brakes	●	●	●
Gear Shift Indicator (manual version only)	●	●	●
Headlights left on audible warning	●	●	●
Isofix child seat fittings (x2) in the second row	●	●	●
Isofix child seat fittings – passenger seat	-	-	●
PEUGEOT Connect SOS and Assistance	●	●	●
Programmable cruise control and speed limiter	●	●	●
Drive Assist Pack: Adaptive cruise control (manual gearbox)	-	○	○
Drive Assist Pack Plus: Adaptive cruise control with Stop & Go function, Lane positioning assist (automatic gearbox)	-	○	○
Lane Keeping Assist	●	●	●
Speed limit recognition and recommendation	●	●	●
Active Safety Brake (pedestrians)	●	●	-
Active Safety Brake (Night function, cyclists, pedestrians)	○/● EV	○/● EV	●
Active blind spot monitoring	-	-	-
Driver attention warning	●	●	●
Seatbelt unfastened on the move audible and visual alert for front and rear seats	●	●	●
Puncture ki	●	●	●
Tyre pressure sensors	●	●	●
Exterior temperature indicator with ice warning	●	●	●

COMFORT & CONVENIENCE

	ACTIVE	ALLURE	GT
Automatic dual zone climate control *	●	●	●
Pre-heating functionality (EV versions)	●	●	●
Low centre console	●	-	-
High centre console	○/● EV	●	●
Central front armrest with storage compartment *	-/● EV	●	●
Electric, heated and power folding door mirrors	●	●	●
Manual rear view mirror	●	-	-
Electrochrome rear view mirror	-	●	-
Frameless Electrochrome rear view mirror	-	-	●
Manual parking brake	●	-	-
Electric parking brake *	○/● EV	●	●
7.4 kW monophasic On board charger (EV versions)	●	●	●
Electric power steering with reach and rake adjustable steering column	●	●	●
Front windscreen wiper with 'Magic Wash' cleaning system	●	●	●
Multifunction trip computer	●	●	●
'One-touch' electric front windows with pinch protection	●	●	●
'One-touch' electric rear windows with pinch protection	●	●	●
Parking sensors – rear	●	●	●
Parking sensors – front and rear	-	○	●
Visio Park 1: 180° Colour Reversing Camera	●	●	●
PEUGEOT i-Cockpit®: compact steering wheel	●	●	●
PEUGEOT i-Cockpit®: 7.0" capacitive colour touchscreen	●	●	●
PEUGEOT i-Cockpit®: 10" capacitive colour touchscreen	-	○	●
PEUGEOT i-Cockpit® with 3.5" instrument panel display	●	-	-
PEUGEOT 3D i-Cockpit®: Configurable 3D head-up instrument panel	-	●	●
Push button start	●	●	●
Tailgate with heated rear windscreen & wiper blade	●	●	●
Rear windscreen wiper triggered automatically in reverse gear	●	●	●
Dark tinted rear side and tailgate windows	-	●	●

NEW PEUGEOT 2008: RANGE EQUIPMENT

ALL-NEW PEUGEOT 2008 EQUIPMENT (2/3)



ACTIVE

ALLURE

GT

INTERIOR FEATURES

Orange contrast stitching to front centre console, door panels and dashboard fascia	●	-	-
Light blue contrast stitching to front centre console, door panels and dashboard fascia	-	●	-
Lime green contrast stitching to armrest, front centre console, door panels and dashboard fascia	-	-	●
8-colour personalisable ambient lighting	-	-	●
Dashboard, front door panel finish: Carbon effect	●	●	●
Front and rear carpet mats in black with lime green stitch detail (Petrol / Diesel versions)	-	-	●
Front and rear carpet mats in black with specific detailing (EV versions)	-	-	●
Gear lever – automatic in full grain leather and satin chrome	●	●	●
Gear lever – manual in satin chrome (6 speed gearbox)	●	●	●
Front interior light with reading spotlights (x2)	●	●	-
Front LED interior light with reading spotlights (x2) and rear LED interior light with timer	-	-	●
Leather steering wheel	●	●	-
Mistral full-grain perforated leather steering wheel with Aikinite stitch detail and satin chrome 'GT' emblem	-	-	●
Pedals: aluminium	-	-	●
Stainless steel door sill scuff plates	-	-	●
'Piano' keys: Gloss black plated toggle switches to access main functions of the vehicle	●	●	●
'Piano' keys: Gloss black plated toggle switches to access touchscreen functions**	-	●	●
Roof lining – Light Grey	●	●	-
Roof lining – Mistral black	-	-	●
Seating: driver and front passenger seat manual adjustment (longitudinal and back rest angle)	●	●	●
Seating: driver seat mechanical height adjustment	●	●	-
Seating: driver and front passenger seat mechanical height adjustment	-	-	●
Seating: – 1/3 – 2/3 folding rear seat	●	●	●
Seating: driver and front passenger comfort seats	●	●	-
Seating: driver and front passenger sport seats	-	-	●
Seating: Tri-material 'Pneuma' and 'Rimini' cloth seat trim with orange double stitch detail	●	-	-
Seating: Tri-material 'Traxx' leather effect and 'Isabella' cloth seat trim with light blue double stitch detail	-	●	-
Seating: Tri-material 'Capy' leather effect and 'Isabella' cloth seat trim with lime green double stitch detail	-	-	●
Seating: Front heated seats (x2)	-	-	●
Standard boot floor	●	-	-
Modular boot floor	○	●	●



ACTIVE

ALLURE

GT

IN-CAR ENTERTAINMENT

Bluetooth® telephone facility	●	●	●
DAB Radio (Digital Audio Broadcasting)	●	●	●
Mirror Screen®: (Apple CarPlay™, Android Auto and MirrorLink®)	●	●	●
Smartphone docking station	●	●	●
USB Socket (x1) front	●	-	-
USB Socket (x2) front including 1 USB-C	○/● EV	●	●
USB Socket (x2) rear	○/● EV	●	●
Voice recognition (radio, navigation and telephony features)	●	●	●
6-Speaker radio, MP3 compatible	●	●	●
12v socket	●	●	●
3D Navigation	○	○	●
Smartphone Charging Plate	○	○	○

LIGHTING AND VISIBILITY

Eco LED headlights	●	●	-
Full LED headlights with Smartbeam Assist	-	-	●
Front fog lights	●	●	●
LED daytime running lights with distinctive 'Tooth' design	●	●	-
LED daytime running lights: 3-Claw Headlight with distinctive 'Tooth' design	-	-	●
LED side indicator lights integrated into door mirrors	-	-	●
Rear numberplate lights (x2)	●	●	●
Rear full LED 3D PEUGEOT signature 'Claw Effect' lights (with daylight function)	●	●	●
Rear reversing lights	●	●	●
Visibility pack: automatic lights	●	●	●
Visibility pack: automatic windscreen wipers *	●	●	●
Visibility pack: 'follow me home' headlights	●	●	●



NEW PEUGEOT 2008: RANGE EQUIPMENT

ALL-NEW PEUGEOT 2008 EQUIPMENT (3/3)



ACTIVE

ALLURE

GT

EXTERIOR FEATURES

Body-colour exterior door handles	•	•	•
Door mirror shells: Colour coded	•	•	-
Door mirror shells: Nera Black	-	-	•
Gloss black B-pillar	-	•	•
Gloss black window surround	-	-	•
Wheel arch extensions	-/• EV	-/• EV	•
Gloss black rear cluster connecting strip	•	•	•
GT model designation badging on tailgate	-	-	•
Dichroic badging including front lion, 'e' monogram on C-pillar and tailgate (EV versions)	•	•	•
Model designation badges front and rear	•	•	•
Radiator grille: Chrome chequered	•	•	-
Radiator grille: Dark chrome chequered and gloss black edge trim	-	-	•
Radiator grille: body-colour chequered and gloss edge trim (EV versions)	•	•	•
Radiator grille: Black higher part (Petrol/Diesel)	•	-	-
Radiator grille: Gloss black higher part (Petrol/Diesel)	-	•	•
Radiator grille: Colour coded higher part (EV versions)	•	•	•
Front bumper: Black lower part	•	-	-
Front bumper: Chrome lower part	-	•	•
Front wing trim: black (Petrol and Diesel versions)	•	-	-
Front wing trim: black with gloss black detail (Petrol and Diesel versions)	-	•	•
Front wing trim: black with gloss black detail and GT badging (Petrol and Diesel versions)	-	-	•
Front wing trim: black with gloss black detail and 'e' monogram (EV versions)	•	•	•
Exhaust pipe: chrome (Petrol/Diesel versions)	-	-	•
Exhaust pipe: twin chrome right hand side (Petrol/Diesel versions, PureTech 130 and 155 engines only)	-	•	•
Diamond Black roof	-	-	•
Colour coded rear spoiler	•	•	-
Diamond black rear spoiler	•	•	•
Gloss black roof bars	-	•	•
16" 'ELBORN' Alloys	•	-	-
17" 'SALAMANCA' Alloys	-	•	•



NEW PEUGEOT 2008: PAINT OPTIONS

ALL-NEW PEUGEOT 2008

CHOOSE YOUR PAINT

○ = Optional. ● = Standard. - = Not available.

		ACTIVE 2008	ACTIVE e-2008	ALLURE 2008	ALLURE e-2008	GT 2008	GT e-2008
SOLID PAINT							
Bianca White	WPPO	○	-	○	-	-	-
Onyx Black	XYPO	○	○	○	○	○	○
METALLIC PAINT							
Orange Fusion	2SMO	●	●	●	●	●	●
Cumulus Grey	F4M0	○	○	○	○	○	○
Nimbus Grey	VLM0	○	-	○	-	○	-
SPECIAL PAINT							
Elixir Red	VHM5	○	○	○	○	○	○
Vertigo Blue	SMM6	○	-	○	-	○	-
Pearlescent White	N9M6	○	○	○	○	○	○



ORANGE FUSION



CUMULUS GREY



ONYX BLACK



VERTIGO BLUE



BIANCA WHITE



NIMBUS GREY



ELIXIR RED



PEARLESCENT WHITE

NEW PEUGEOT 2008: UPHOLSTERY OPTIONS

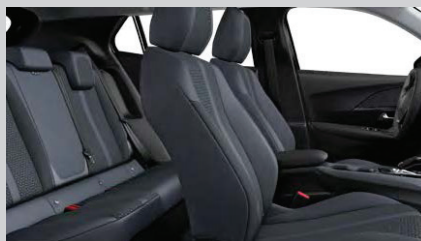
ALL-NEW PEUGEOT 2008

CHOOSE YOUR UPHOLSTERY OPTIONS

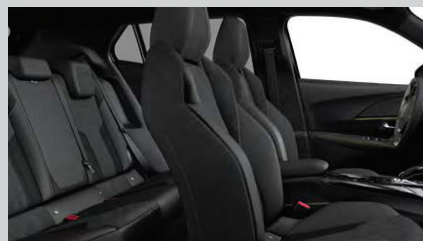
	ACTIVE 2008 SUV / e-2008 SUV	ALLURE 2008 SUV / e-2008 SUV	ALLURE 2008 SUV	GT 2008 SUV / e-2008 SUV	GT 2008 SUV
UPHOLSTERY OPTIONS					
Upholstery	Tri-material 'Pneuma' and 'Rimini' cloth seat trim	Tri-material 'Traxx' leather effect and 'Isabella' cloth seat trim	Nappa Mistral full grain leather seat trim	Tri-material 'Capy' leather effect and 'Isabella' cloth seat trim	Nappa Mistral full grain leather seat trim
Trim Code	A5FX	A8FX	4HFX	A7FX	4HFX
Top-Stitching	Orange	Light Blue	Charcoal Grey	Lime Green	Charcoal Grey
Availability	●	●	○	●	○



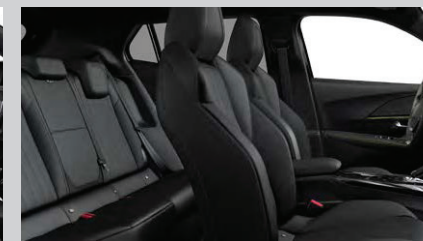
Active



Allure



GT



Nappa Leather

ALL-NEW PEUGEOT 2008

WHEEL

	ACTIVE 2008	ACTIVE e-2008	ALLURE 2008	ALLURE e-2008	GT 2008	GT e-2008
WHEEL DESCRIPTION						
16" 'ELBORN' alloy wheels	●	●	-	-	-	-
17" 'SALAMANCA' diamond cut alloy wheels	-	-	●	●	●	●



16" 'ELBORN' alloy wheels



17" 'SALAMANCA' diamond cut alloy wheels

● = Standard. - = Not available.

NEW PEUGEOT 2008: TECHNICAL SPECIFICATIONS

ALL-NEW PEUGEOT 2008 TECHNICAL SPECIFICATION - PETROL/DIESEL

	PETROL				DIESEL
	1.2L PureTech 100 S&S 6-speed manual	1.2L PureTech 130 S&S 6-speed manual	1.2L PureTech 130 EAT8 S&S 8-speed automatic	1.2L PureTech 155 EAT8 S&S 8-speed automatic	1.5L BlueHDi 110 S&S 6-speed manual
POWERTRAIN					
Fuel type	Petrol	Petrol	Petrol	Petrol	Diesel
Stop and Start functionality	●	●	●	●	●
Cubic capacity (cc)	1199	1199	1199	1199	1499
Maximum power bhp (Kw)	101 (75) @ 5550	131 (96) @ 5500	131 (96) @ 5500	155 (114) @ 5500	TBC
Maximum torque lb/ft (Nm)	151 (205) @ 1750	170 (230) @ 1750	170 (230) @ 1750	177 (240) @ 1750	TBC
6-speed manual	●	●	-	-	●
8-speed automatic	-	-	●	●	-
BRAKES					
Front and rear discs	●	●	●	●	●
SUSPENSIONS AND TYRES					
Front suspension	Pseudo MacPherson	Pseudo MacPherson	Pseudo MacPherson	Pseudo MacPherson	Pseudo MacPherson
Rear suspension	De-formable Crossmember	De-formable Crossmember	De-formable Crossmember	De-formable Crossmember	De-formable Crossmember
Size - 16" tyres	215/65 R16 H	215/65 R16 H	215/65 R16 H	215/65 R16 H	215/65 R16 H
Size - 17" tyres	215/60 R17 H	215/60 R17 H	215/60 R17 H	215/60 R17 H	215/60 R17 H
PERFORMANCE					
Maximum speed (kph)	188 + 11.9	198 + 9.8	196	208	TBC
Acceleration 0-100 kph driver only (sec)	TBC	TBC	9.9	8.9	TBC
FUEL CONSUMPTION INFORMATION					
WLTP Carbon Dioxide (CO2) emissions (g/km) Fuel Consumption: Combined (litres/100km)	123-125 5.4-5.5	125-127 5.5-5.6	134-136 5.9-6.0	141 6.2	115-117 4.4-4.5
VEHICLE WEIGHT INFORMATION (KG)					
Gross vehicle weight	1715	1715	1752	1748	TBC
Mass in service	1117	1117	1035	1130	TBC
Kerb weight	1192	1192	1205	1205	TBC
Gross train weight	2912	2915	2949	2948	TBC
Maximum braked trailer weight	1200	1200	1200	1200	TBC
Maximum tow ball weight	48	48	48	48	48



NEW PEUGEOT 2008: TECHNICAL SPECIFICATIONS

ALL-NEW PEUGEOT e-2008 TECHNICAL SPECIFICATION - ELECTRIC

ELECTRIC	
	Electric 50 kWh 136
ELECTRIC MOTOR	
Maximum power hp (kW)	136 (100)
Maximum torque lb/ft (Nm)	221 (300) @ 3674
Battery Capacity (kWh) / Battery power (kW)	56 / 100
Electric Range WLTP (km)	310
On Board Charger (kW)	7.4
TRANSMISSION	
Type	Automatic
Number of gears	One
BRAKES	
Front and rear discs	●
SUSPENSIONS AND TYRES	
Front suspension	Pseudo MacPherson
Rear suspension	Panhard bar rear train
Size - 16" tyres	215/60 R16 P
Size - 17" tyres	215/60 R17 P
PERFORMANCE	
Maximum speed (mph)	149
Acceleration 0-100 kph driver only (sec)	TBC
VEHICLE WEIGHT INFORMATION (KG)	
Gross vehicle weight	2030
Mass in service	1662
Kerb weight	1548
Gross train weight	-



NEW PEUGEOT 2008: DIMENSIONS

ALL-NEW PEUGEOT e-2008 DIMENSIONS

LENGTH

EXTERNAL DIMENSIONS

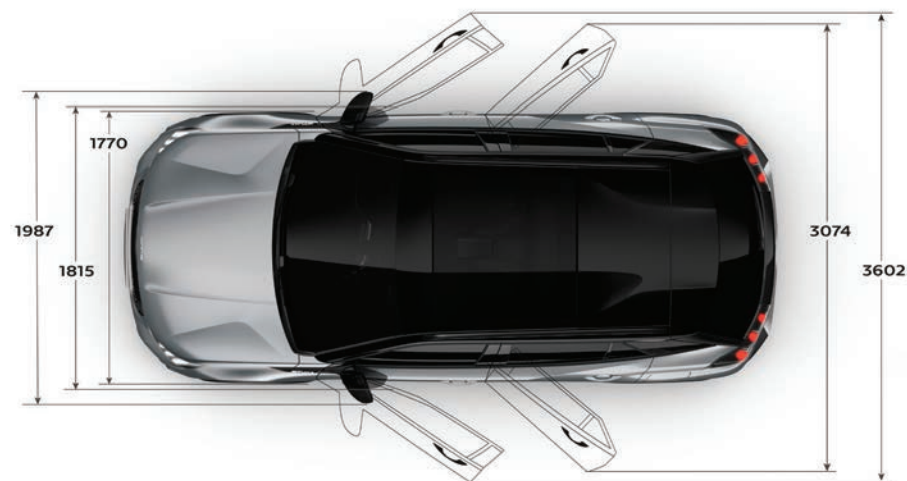
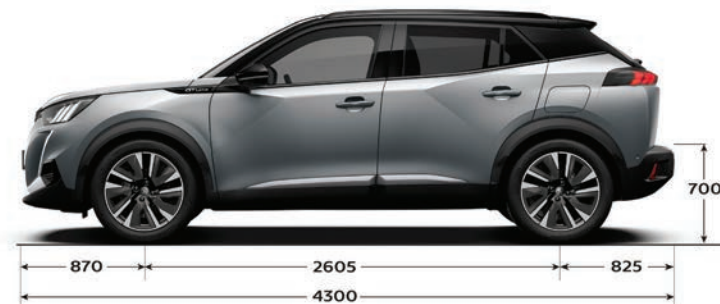
Length (mm)	4300
Width (mm)	1770
Height without / with roof bars (mm)	1530/1550
Wheelbase (mm)	2605
Front / rear overhang (mm)	870 / 825
Front / rear track width (mm)	1540
Turning circle between pavements (m)	10.4

INTERNAL DIMENSIONS

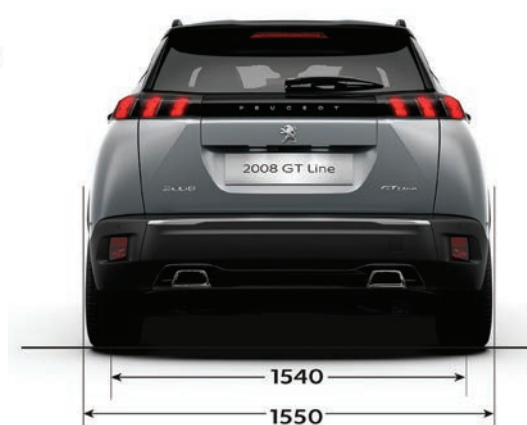
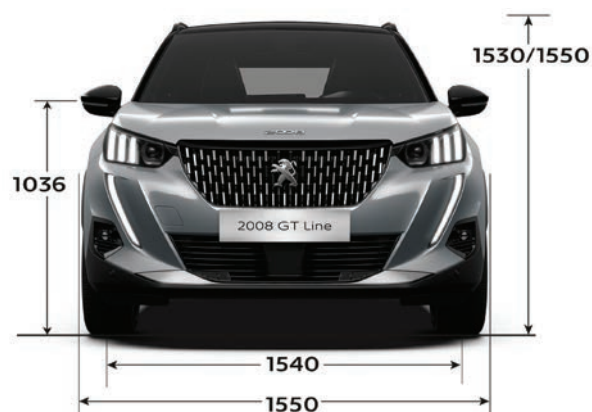
Number of seats	5
Front / rear elbow room (mm)	TBC
Front / rear shoulder room (mm)	TBC
Front / rear head room (mm)	TBC

BOOT, STORAGE & FUEL TANK

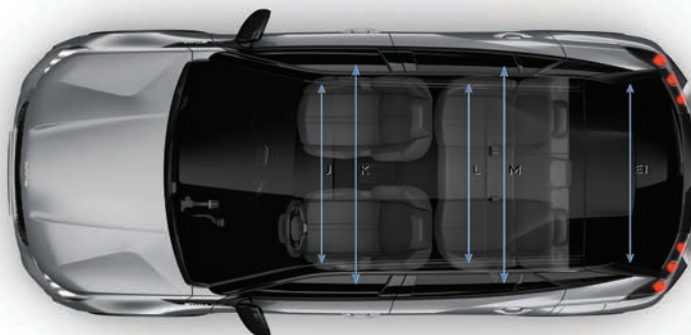
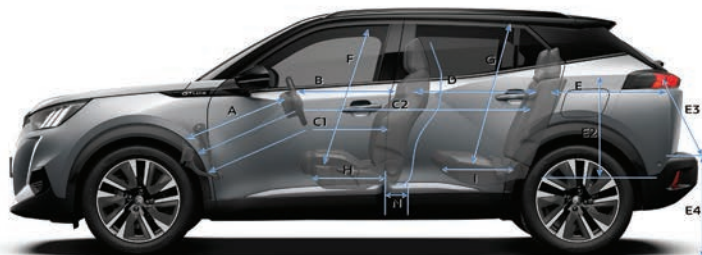
Length with rear seat back up / folded (mm)	791
Maximum loading length (mm)	TBC
Width between wheel housings (mm)	1014
Height under parcel shelf / head room (mm)	488
Opening of boot, height / width (mm)	979
Min. boot volume (dm ³ VDA 210)	434
Max. boot volume (dm ³ VDA 214)	1467
Total volume of storage areas in the passenger compartment (litres)	32
Fuel tank capacity (litres)	44 in Puretech / 41 in BlueHdi



WIDTH/HEIGHT



NEW PEUGEOT 2008: DIMENSIONS



A	704
B	649
C1	884
C2	1756
D	872
E	791
E1	1014
E2	545
E3	819
E4	700/709
F	906
G	889
H	385,2
I	446
J	1408
K	1370
L	1378
M	1317
N	238,5

BOOT



434 L



E&OE JANUARY 2021. FOR FURTHER INFORMATION TALK TO YOUR LOCAL PEUGEOT DEALER OR SEE WWW.PEUGEOT.IE.

The information contained in this specification sheet, is based on the data and images available at the time of publication. Some photography may feature left hand drive models. All images shown are for illustration purposes only. Photographic processes used may alter the depth and tone of the colours shown. As part of a policy on continuous specification improvement, Peugeot reserves the right to modify colours, trims, engine range, options and standard equipment at any time. This specification sheet is not a contractual document or offer of sale.

The specified fuel consumption and emission values are the official figures obtained from tests under standardised EU test conditions in accordance with the Worldwide Harmonized Light Vehicles Test Procedure (WLTP), a more realistic test method for measuring fuel consumption (l/100km) and CO2 emissions and are correct at the time of print. WLTP replaces the previous NEDC test method. The included values reflect the standard vehicle excluding additional equipment such as optional extras and accessories which may have an effect on the fuel consumption (l/100km) and CO2 emissions produced. You can discover more about the WLTP at peugeot.ie/brand-and-technology/wltp