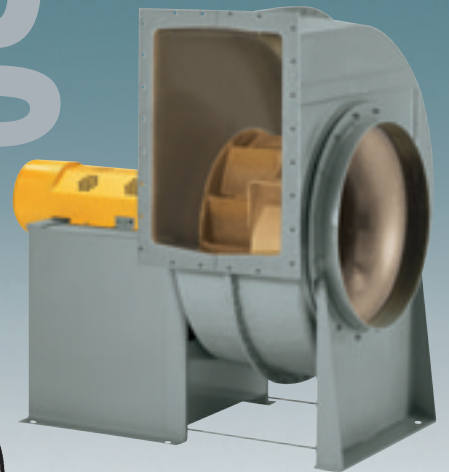
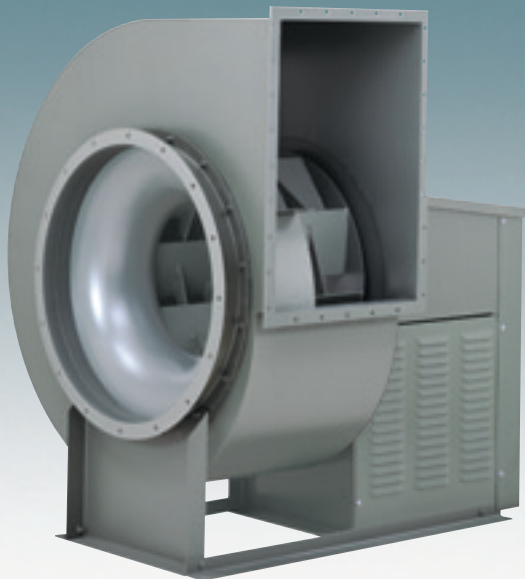


All-Products Catalog



nyb

Into the 21st Century...

THE BEST FANS STILL KEEP COMING FROM NEW YORK BLOWER!



Welding and assembly operations.



Product research center.



Headquarters—Willowbrook, Illinois.

The New York Blower Company is a charter member of the Air Movement and Control Association International [AMCA], which was founded to establish test standards for air-moving equipment.



MEMBER



LAB

New York Blower's AMCA-registered laboratory and research center ensure the company performs to the highest standards in product development and research including sound, air performance, vibration, finite element analysis, and speed-testing.

OUR COMPANY

In 1889, two brothers—J.W. Mathis and August Mathis—opened a sheet-metal shop on the South Side of Chicago and formed Mathis Brothers Company. They designed and installed heating and ventilating systems.

In 1904, the brothers bought The New York Blower Company, a fan manufacturer founded in 1893. The plant was moved from Bucyrus, Ohio, to La Porte, Indiana, in 1919. The New York Blower Company was one of 12 founding companies of the National Association of Fan Manufacturers, the earliest predecessor to the Air Movement and Control Association International.

In the 1950s and 1960s, the company expanded its presence from regional to national through the development of an extensive network of sales representatives. Today, that presence is world-wide with over 200 representatives, partners, and licensees established around the globe.

Spanning the decades since 1889, The New York Blower Company has been designing and building fans and blowers to move air in all types of commercial and industrial applications. Today, New York Blower has one of the most comprehensive lines of fans and blowers in the world, with literally thousands of designs and models available.

COMMITMENT TO TECHNICAL EXCELLENCE

Consistent capital investment has resulted in the most modern production equipment and research facilities in the industry. This has allowed New York Blower to provide an unmatched combination of technology and manufacturing expertise in its products. New York Blower fan designs provide the highest aerodynamic efficiencies compatible with specific systems and gas-stream requirements.

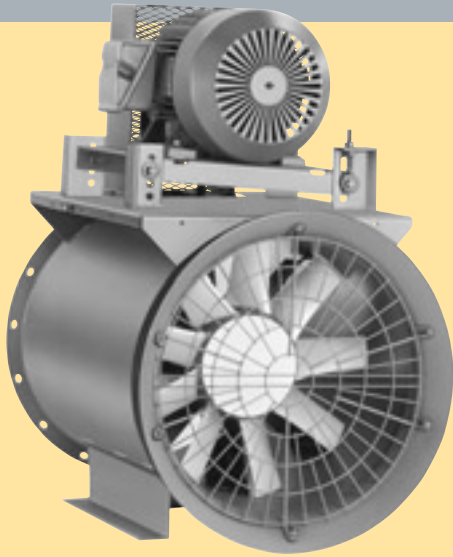
nyb | The New York Blower Company®

7660 QUINCY ST.—WILLOWBROOK, IL 60527-5530
 TEL: [630] 794-5700 • FAX: [630] 794-5776
 WEB: <http://www.nyb.com> • E-MAIL: nyb@nyb.com

AIR HANDLING / AXIAL

TYPICAL APPLICATIONS

- Building ventilation
- Oven exhaust
- Drying systems
- Moisture blow-off
- Fume removal
- Glass tempering
- Spray-booth exhaust
- Air curtains
- Cooling

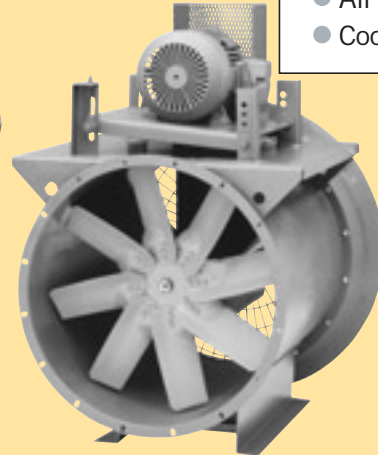


VANEAXIAL FAN

New York Blower axial fans are available in both belt-drive and direct-drive arrangements. Models can be constructed of either mild steel or aluminum.

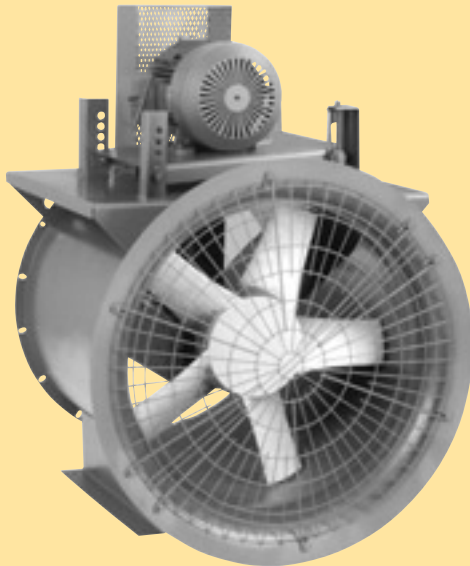


UPBLAST ROOF VENTILATOR



DUCT FAN

TUBEAXIAL FAN



PROPELLER FAN

TUBULAR ACOUSTAFOIL FAN



Capacity		Static pressure		Max. temperature		Product line
CFM	CMM	"WG	kPa	°F.	°C.	
400 - 117,800	11 - 3400	0 - 3/4	0.00 - 0.18	105	40	Propeller Fans
900 - 60,000	25 - 1700	1/8 - 2	0.03 - 0.50	350	175	Duct Fans
700 - 86,000	20 - 2500	1/8 - 3	0.03 - 0.75	200	95	Tubeaxial Fans
1000 - 100,000	28 - 2800	1/4 - 5	0.06 - 1.20	200	95	Vaneaxial Fans
500 - 140,000	14 - 4000	1/4 - 14	0.06 - 3.50	200	95	Tubular Acoustafoil® Fans
2300 - 118,000	66 - 3400	0 - 3/4	0.00 - 0.19	105	40	Upblast Roof Ventilators

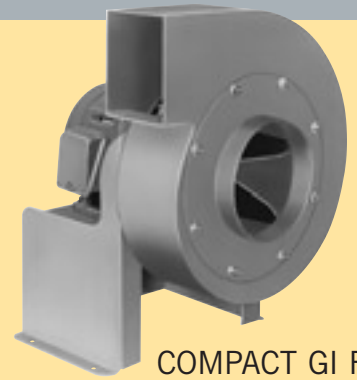
The table above has been designed to assist you in locating the fan that best meets your system requirements. Generally, there is more than one product line that will meet a particular flow and pressure requirement so we suggest you contact your New York Blower representative to assist you in making the final selection.

AIR HANDLING/

TYPICAL APPLICATIONS

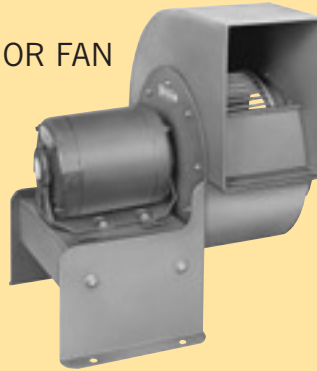
- Oven and dryer systems
- Pneumatic conveying
- Clean-side dust collection
- HVAC ventilation
- Air recirculation
- Thermal oxidation
- Air knives
- Chemical process
- Combustion air

New York Blower centrifugal fans are available in both belt-drive and direct-drive arrangements. Models can be constructed of either mild steel, aluminum, or special alloys.

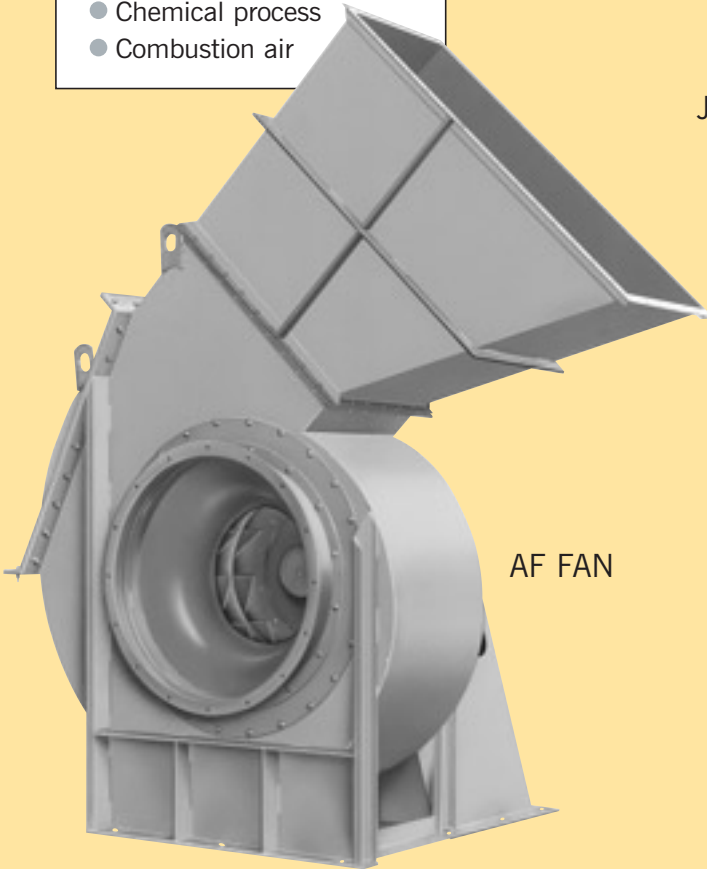


COMPACT GI FAN

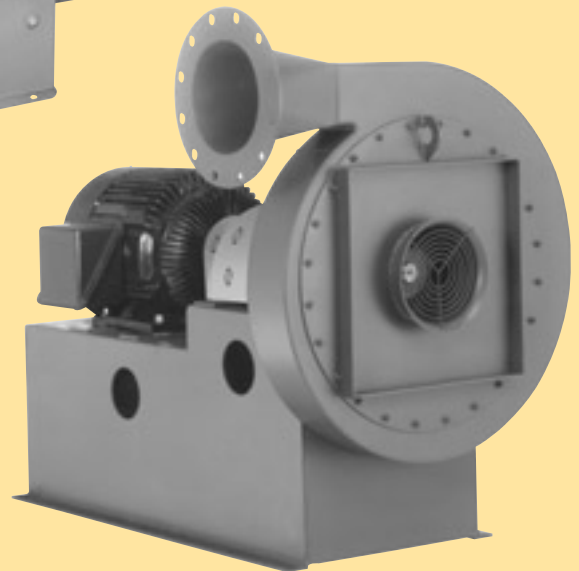
JUNIOR FAN



AF FAN



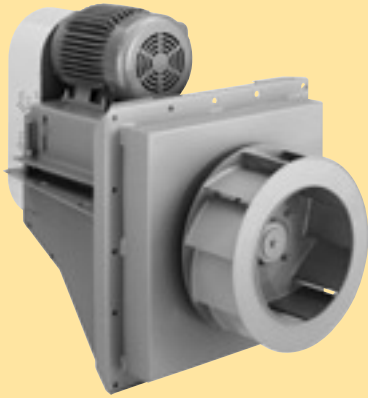
TYPE HP
PRESSURE
BLOWER



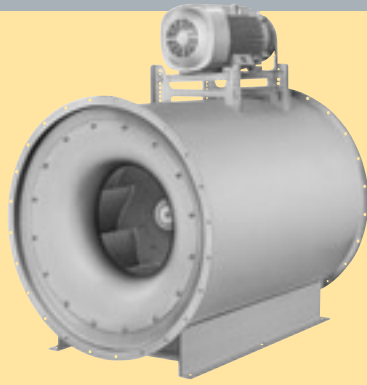
Capacity		Static pressure		Max. temperature		Product line
CFM	CMM	"WG	kPa	°F.	°C.	
60 - 2400	2.0 - 70	¼ - 14	0.06 - 3.50	600	315	Compact GI Fans
160 - 4600	4.0 - 130	⅛ - 2½	0.03 - 0.62	450	230	Junior Fans
50 - 5200	1.0 - 150	12 - 58	3.00 - 14.0	600	315	Pressure Blowers
100 - 10,000	3.0 - 283	45 - 85	11.2 - 21.1	600	315	Type HP Pressure Blowers
700 - 15,500	20 - 440	¼ - 3	0.06 - 0.75	200	95	GPA Fans
700 - 26,000	20 - 720	½ - 8	0.12 - 2.00	650	345	General Purpose Fans
1000 - 74,000	30 - 2100	½ - 20	0.12 - 5.00	1300	705	Plug Fans
1500 - 100,000	43 - 2900	¼ - 6	0.06 - 1.50	1000	540	Air Kits
500 - 140,000	15 - 4000	¼ - 14	0.06 - 3.50	200	95	Tubular AcoustaFoil® Fans
8000 - 123,000	230 - 3500	15 - 30	3.75 - 7.50	750	400	AF-30 Fans
8000 - 130,000	230 - 3700	20 - 46	5.00 - 11.5	750	400	AF-40 Fans
8000 - 130,000	230 - 3700	25 - 50	6.25 - 12.5	750	400	AF-50 Fans
4600 - 170,000	130 - 4800	10 - 20	2.50 - 5.00	750	400	Class IV Fans
700 - 200,000	20 - 5700	¼ - 14	0.06 - 3.50	650	345	Single-Width Fans
800 - 350,000	22 - 9900	¼ - 14	0.06 - 3.50	120	50	Double-Width Fans
1000 - 160,000	28 - 4600	½ - 12	12.0 - 3.00	105	40	Plenum Fans

The table above has been designed to assist you in locating the fan that best meets your system requirements. Generally, there is more than one product line that will meet a particular flow and pressure requirement so we suggest you contact your New York Blower representative to assist you in making the final selection.

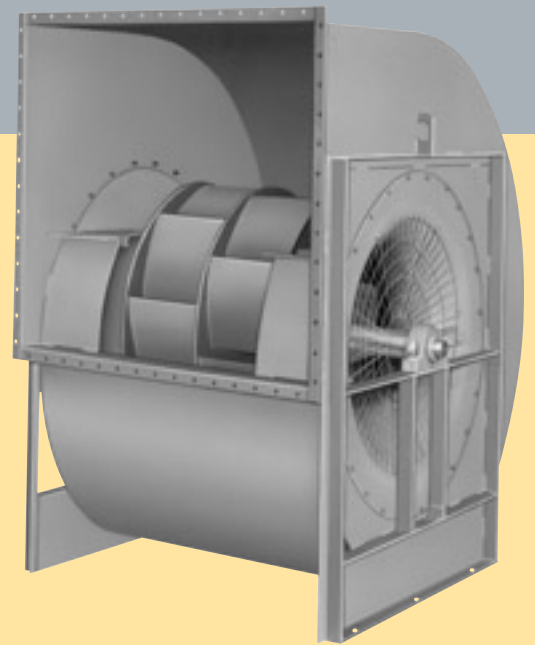
CENTRIFUGAL



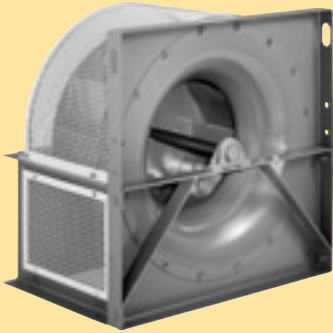
PLUG FAN



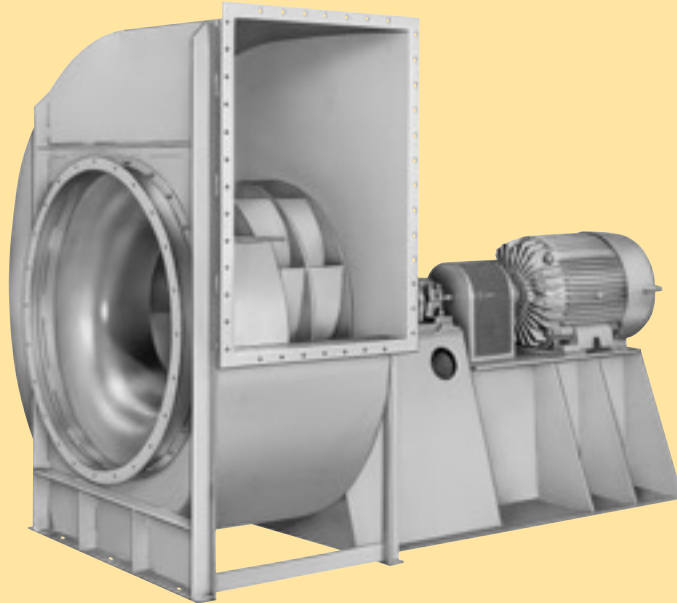
TUBULAR ACOUSTAFOIL FAN



DOUBLE-WIDTH FAN



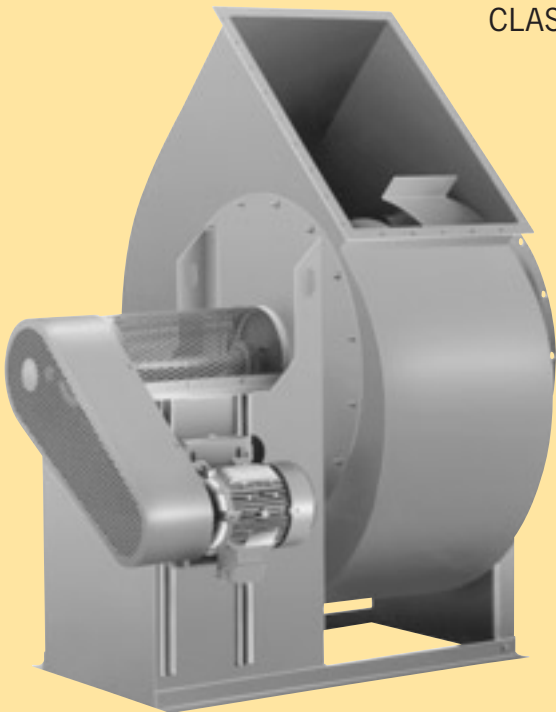
PLENUM FAN



CLASS IV FAN

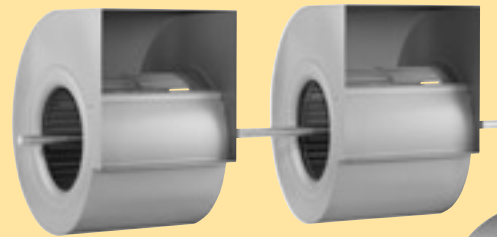


GPA FAN



SINGLE-WIDTH FAN

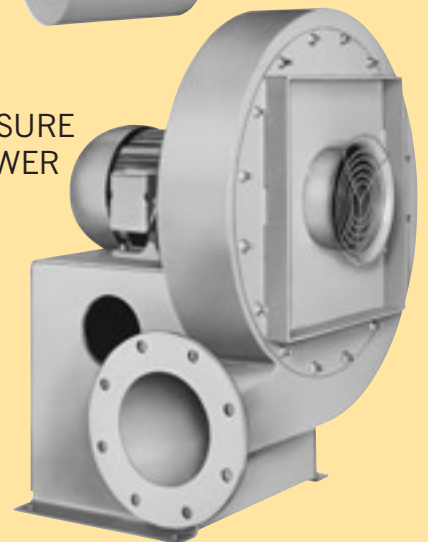
AIR KITS



PRESSURE BLOWER



GENERAL PURPOSE FAN

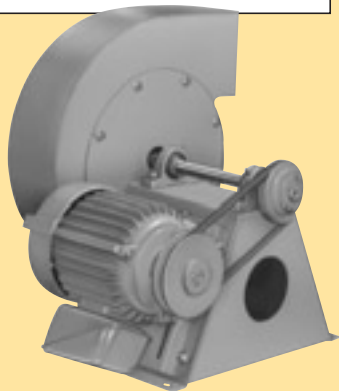


DUST/MATERIAL HANDLING

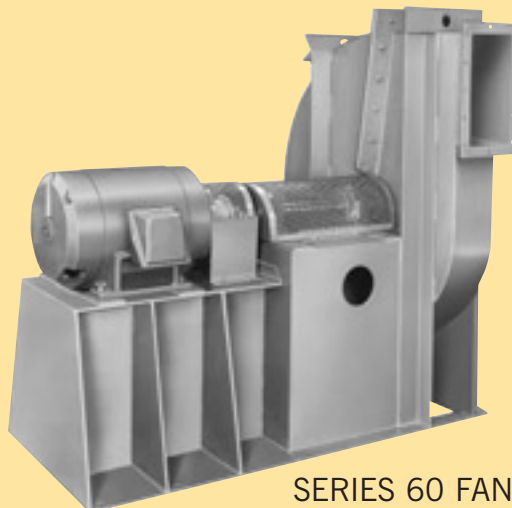
TYPICAL APPLICATIONS

- Dust collection
- Pneumatic conveying
- Scrubber exhaust
- Incineration
- Combustion air
- Pollution control
- Fume-hood exhaust
- Chemical process
- Dryer applications

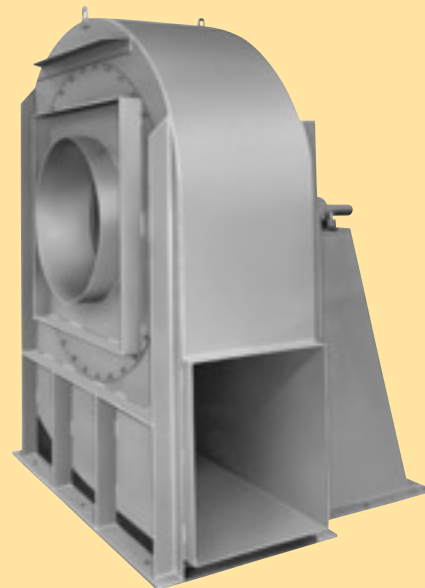
New York Blower centrifugal fans are available in both belt-drive and direct-drive arrangements. Models can be constructed of either mild steel, aluminum, or special alloys.



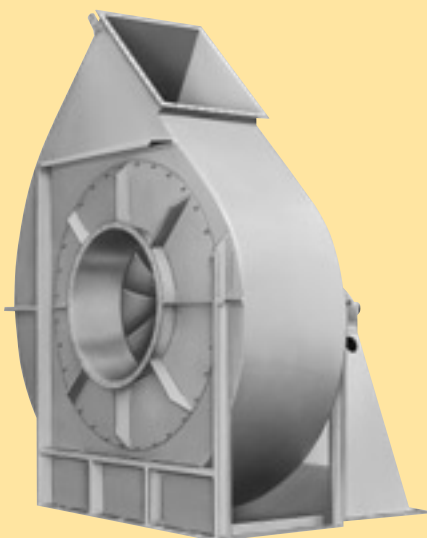
COMPACT GI FAN



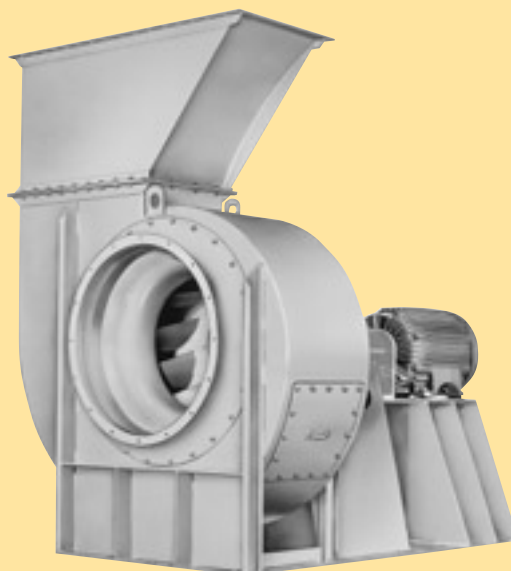
SERIES 60 FAN



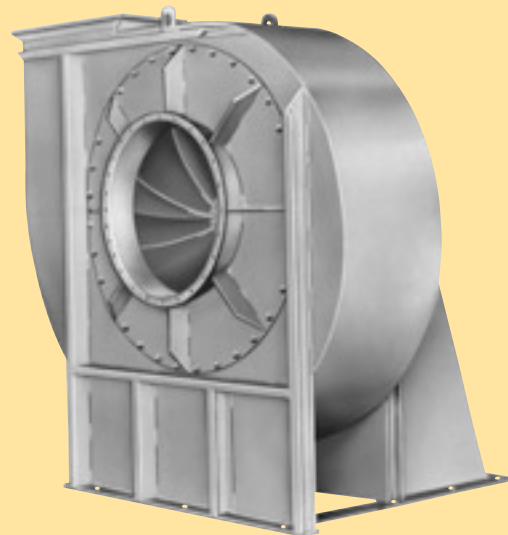
SERIES 20 GI FAN



SERIES 30 GI FAN



RTS FAN



SERIES 45 GI FAN

Capacity		Static pressure		Max. temperature		Product line
CFM	CMM	"WG	kPa	°F.	°C.	
60 - 2400	2.0 - 70	¼ - 14	0.06 - 3.50	600	315	Compact GI Fans
400 - 76,000	10 - 2200	2 - 22	0.50 - 5.50	1000	540	Series 20 GI Fans
2000 - 95,000	55 - 2700	20 - 32	5.00 - 7.90	1000	540	Series 30 GI Fans
3000 - 100,000	85 - 2800	26 - 46	6.50 - 11.0	1000	540	Series 45 GI Fans
3000 - 66,000	85 - 1900	30 - 70	7.50 - 17.0	800	425	Series 60 Fans
6500 - 220,000	190 - 6200	6 - 30	1.50 - 7.50	750	400	RTS Fans

The table above has been designed to assist you in locating the fan that best meets your system requirements. Generally, there is more than one product line that will meet a particular flow and pressure requirement so we suggest you contact your New York Blower representative to assist you in making the final selection.

FIBERGLASS-REINFORCED-PLASTIC

TYPICAL INDUSTRIES

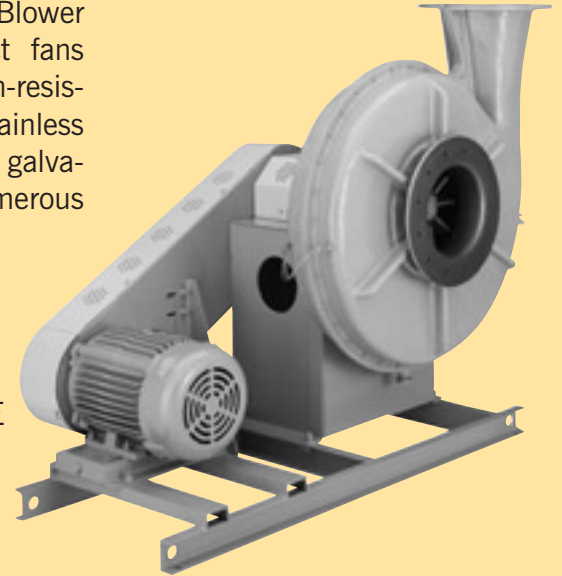
- Wastewater treatment
- Pulp and paper
- Chemical process
- Pharmaceutical
- Scrubber systems
- Odor control

FRP

In addition to fans constructed of fiberglass-reinforced-plastic [FRP], The New York Blower Company can construct fans with alternative corrosion-resistant materials such as stainless steel, aluminum, hot-dip galvanizing along with numerous special coatings.



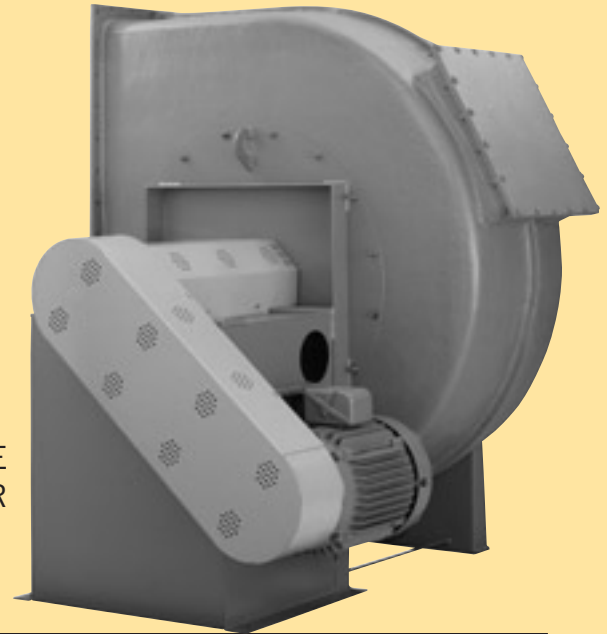
FRP
GENERAL-PURPOSE
FUME EXHAUSTER



FRP PRESSURE
BLOWER



FRP
RADIAL FUME
EXHAUSTER



FRP FUME
EXHAUSTER

Capacity		Static pressure		Max. temperature		Product line
CFM	CMM	"WG	kPa	°F.	°C.	
100 - 5000	3.0 - 145	10 - 40	2.50 - 9.90	250	120	FRP Pressure Blowers
50 - 8000	1.5 - 230	1/4 - 14	0.06 - 3.50	250	120	FRP Radial Fume Exhausters
500 - 73,000	14 - 2000	1/2 - 10	0.12 - 2.50	250	120	FRP General-Purpose Fume Exhausters
1500 - 84,000	40 - 2430	1/2 - 25	0.12 - 6.25	250	120	FRP Fume Exhausters

The table above has been designed to assist you in locating the fan that best meets your system requirements. Generally, there is more than one product line that will meet a particular flow and pressure requirement so we suggest you contact your New York Blower representative to assist you in making the final selection.

ROOF VENTILATORS

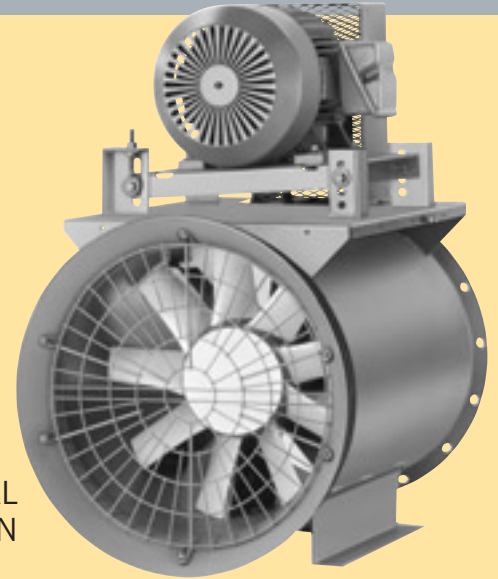
TYPICAL APPLICATIONS

- Commercial ventilation
- Oven exhaust
- Institutional HVAC
- Industrial ventilation
- Smoke/fume removal
- Agriculture

New York Blower Roof Ventilators are available in both belt-drive and direct-drive arrangements. Models can be constructed of either mild steel or aluminum.



HOODED
ROOF
VENTILATOR

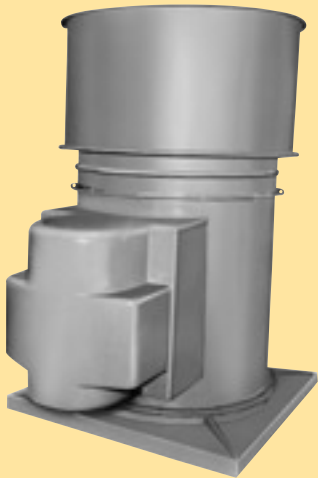
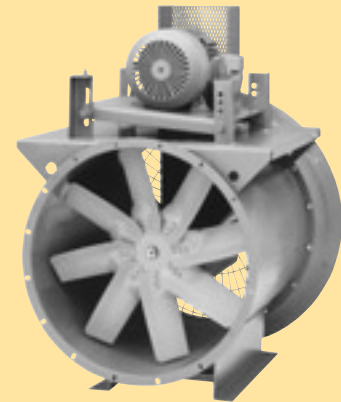


VANEAXIAL
FAN

TUBEAXIAL FAN

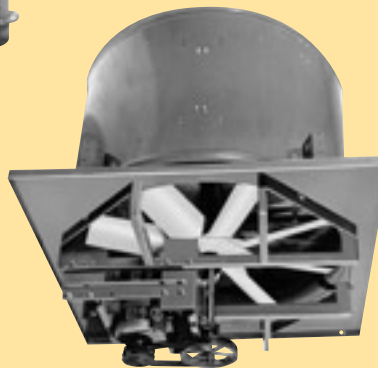


DUCT FAN



TUBULAR ACOUSTAFOIL
FAN

UPBLAST
ROOF
VENTILATOR



CENTRIFUGAL
ROOF EXHAUSTER

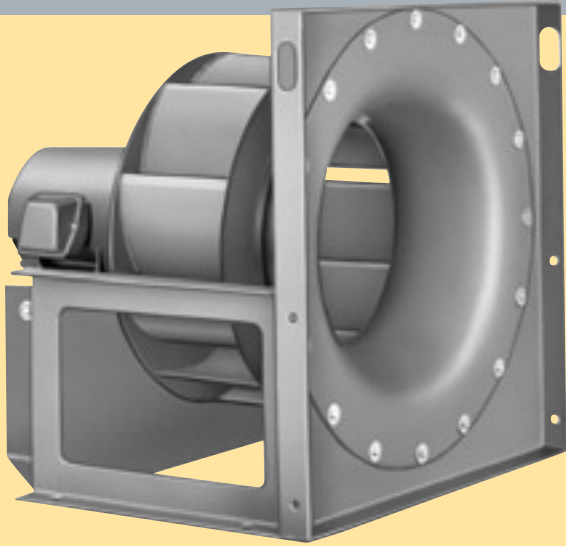
Capacity		Static pressure		Max. temperature		Product line
CFM	CMM	"WG	kPa	°F.	°C.	
900 - 60,000	25 - 1700	1/8 - 2	0.03 - 0.50	350	175	Duct Fans
700 - 86,000	20 - 2500	1/8 - 3	0.03 - 0.75	200	95	Tubeaxial Fans
1000 - 100,000	28 - 2800	1/4 - 5	0.06 - 1.20	200	95	Vaneaxial Fans
500 - 140,000	14 - 4000	1/4 - 14	0.06 - 3.50	200	95	Tubular Acoustafoil® Fans
2300 - 118,000	66 - 3400	0 - 3/4	0.00 - 0.19	105	40	Upblast Roof Ventilators
3000 - 106,000	85 - 3100	0 - 3/4	0.00 - 0.19	105	40	Hooded Roof Ventilators
25 - 35,000	70 - 1000	0 - 3	0.00 - 0.75	105	40	Centrifugal Roof Exhausters

The table above has been designed to assist you in locating the fan that best meets your system requirements. Generally, there is more than one product line that will meet a particular flow and pressure requirement so we suggest you contact your New York Blower representative to assist you in making the final selection.

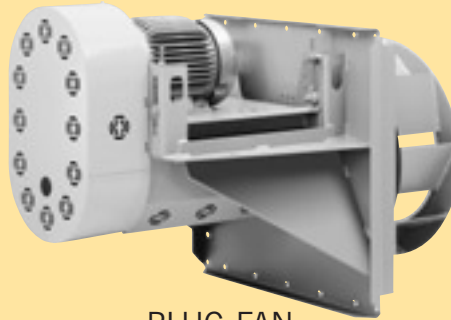
PROCESS COMPONENTS

TYPICAL APPLICATIONS

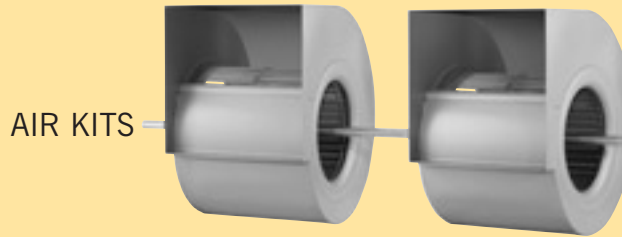
- Air handlers
- Ovens and dryers
- Clean rooms
- Air curtains
- Kilns
- HVAC ventilation
- Air recirculation
- Industrial/commercial ventilation
- Spray booths



PLENUM FAN



PLUG FAN



AIR KITS

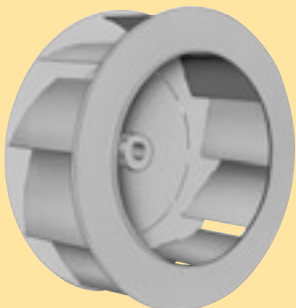
Capacity		Static pressure		Max. temperature		Product line
CFM	CMM	"WG	kPa	°F.	°C.	
1000 - 160,000	28 - 4600	1/2 - 12	0.12 - 3.00	105	40	Plenum Fans
1000 - 74,000	28 - 2100	1/2 - 20	0.12 - 5.00	1300	705	Plug Fans
1500 - 100,000	43 - 2900	1/4 - 6	0.06 - 1.50	1000	540	Air Kits

The table above has been designed to assist you in locating the fan that best meets your system requirements. Generally, there is more than one product line that will meet a particular flow and pressure requirement so we suggest you contact your New York Blower representative to assist you in making the final selection.

FAN COMPONENTS

The New York Blower Company has been providing air-handling equipment to the construction and process industries for over 110 years. To ensure the highest quality, OEM components use the same designs as our standard products.

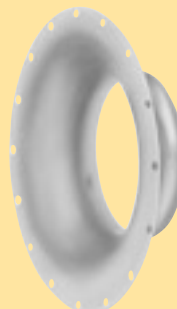
Size range	Product line
10" - 73" diameter	Wheels
10" - 73" diameter	Cones
10" - 36" diameter	Housings



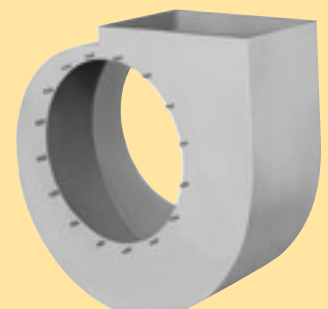
ACOUSTAFOIL® WHEEL



PLR WHEEL

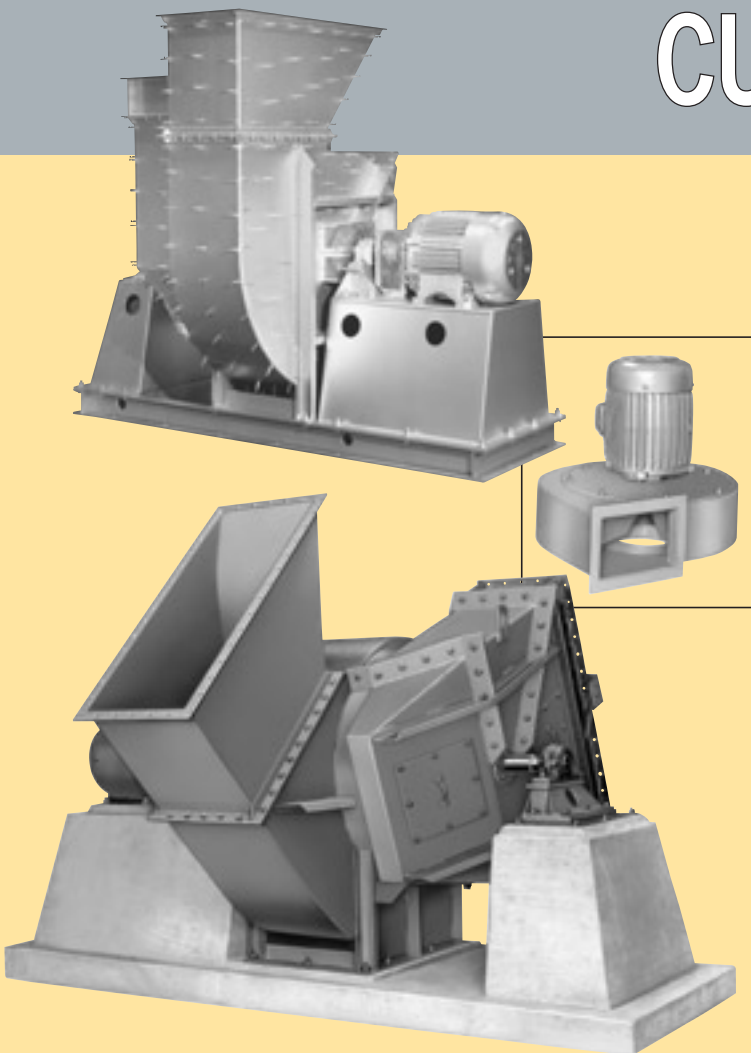


INLET CONE



HOUSING

CUSTOM PRODUCTS



New York Blower's custom-engineered products are designed to exacting specifications. Designs meet specific flow, pressure, temperature, leak integrity, and configuration requirements. Specialty areas include:

- Configurations—choices range from fan wheels mounted directly on motor shafts to independent pedestal configurations . . . to match mounting, space limitations, and application requirements.
- High temperatures—employing alloys for strength and insulation, and cladding for heat retention and protection.
- Corrosion/abrasion-resistance—alternatives include a wide variety of alloys such as Hastelloy®, Ferallium, Inconel®, Chrome Carbide, and Cor-ten.
Hastelloy® is a registered trademark of Haynes International, Inc.
 Inconel® is a registered trademark of Special Metals Corporation.
- Low leakage—options include purgeable mechanical seals, full-face gasketing, double welding of housing seams, and factory pressure testing.
- Volatile gases—spark-resistant construction incorporating special materials, buffers, and design elements.

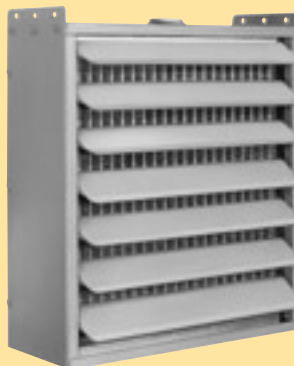
Contact your New York Blower representative with your specific application requirements.

TYPICAL APPLICATIONS

- Food processing
- Industrial heating
- Drying systems
- Make-Up Air systems

HEATING PRODUCTS

The New York Blower Company manufactures complete lines of steam Unit Heaters and steam heating coils. Because there are numerous coil sizes and two different fin styles available, we suggest you contact your New York Blower representative to assist you in making the final selection.



UNIT HEATER



STEELFIN COIL

Capacity		Max. leaving air temperature		Max. steam temperature		Max. steam pressure	Product line
CFM	CMM	°F.	°C.	°F.	°C.	Psi	
365 - 5800	10 - 165	150	65	600	315	200	Unit Heaters
1000 - 17,520	28 - 495	215	100	600	315	200	STEELfin Coils

TYPICAL OPTIONS

We can customize your fan with a wide variety of accessories and modifications to meet your unique requirements. Consult your New York Blower representative for further details.

INLET BOX

Minimizes entry losses normally associated with 90° turns at or near fan inlet . . . also available with parallel-blade damper for efficient volume control.

SPLIT-HOUSING CONSTRUCTION

For ease of wheel removal . . . several types available . . . split section can be removed without disturbing inlet or outlet duct connections.

CLEANOUT DOOR

Closely spaced studs keep gasketed door securely sealed . . . 2" raised, bolted door also available for high-temperature applications.

DRAIN

1½" tank flange located at lowest point in housing scroll.

FLANGES

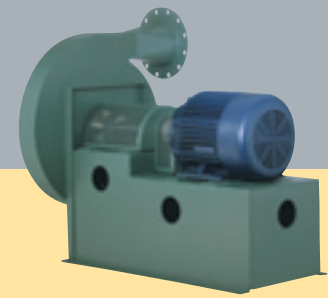
Flanged inlet and outlet connections standard on all sizes . . . companion flanges with matching hole patterns also available.

EVASE

Provides static-pressure regain and reduced discharge velocities . . . recommended for optimum performance for AF-Forty, RTS, and Series 60 Fans.

UNITARY BASE

Structural-steel base provides common support for fan, motor, and drive components . . . also available with spring or rubber-in-shear isolators . . . flexible duct connections required when isolation is used.



MOTORS AND DRIVES

A wide array of motors, belt-drives, and coupling components available factory-mounted by New York Blower.



HEAT-FAN CONSTRUCTION

Fans handling gas streams above 301°F. furnished with shaft coolers and guards . . . surfaces are coated

with high-temperature paint . . . refer to each fan line for specific limitations.

INLET-VANE DAMPER

Vane construction provides pre-spun air effect that reduces fan capacity efficiently . . . not recommended for use with inlet box.



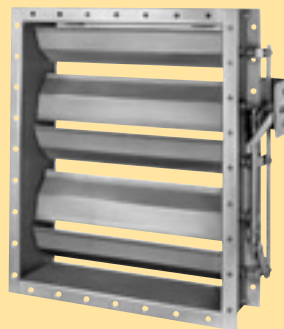
SHAFT SEAL

A variety of shaft seals including mechanical type and ceramic-felt type available.



SPECIAL ALLOYS

Most fans and models available with various grades of stainless steel or aluminum for corrosive, non-abrasive airstream applications . . . consult your representative for availability by wheel type.

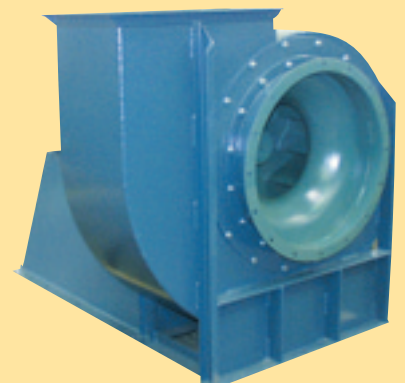


OPPOSED-BLADE OUTLET DAMPER

Outlet dampers available with parallel or opposed blades to suit dampening requirements.

COATINGS

Cost-effective protective coatings under a variety of trade names available to increase the fan's resistance to adverse, corrosive environments.



CUSTOMER SUPPORT

The New York Blower Company has developed numerous engineering and application support tools for system designers and operators. For a complete listing of our sales representatives, more information on our products, or to download sample guide specifications, visit our website at: <http://www.nyb.com>



GENERAL CATALOG

Contains bulletins for all New York Blower products. Each bulletin includes features, performance capabilities, accessories available, speed and temperature limitations, general dimensions, and material specifications.



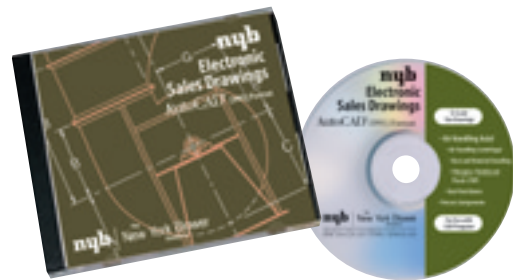
ENGINEERING LETTERS

Twenty-seven "letters" discuss a wide range of technical fan subjects. Topics include system calculation, fan performance curves, pneumatic conveying, fan balance and vibration, corrosion-resistance of FRP fans, and more.



ELECTRONIC CATALOG

Complete **nyb** catalog on disk. Includes product bulletins, fan-selection program, guide specifications, Engineering Letters, installation and maintenance literature, listing of New York Blower representatives, and web-site launch.



ELECTRONIC DRAWINGS

CD-Rom with scalable fan drawings in AutoCAD®DWG. Drawings assist in placing fan equipment in customers' application. Fan drawings include multiple discharge positions, rotations, arrangements, and accessories.



The
New York Blower
Company®



7660 QUINCY STREET-WILLOWBROOK, ILLINOIS 60527-5530
TEL: [630] 794-5700 • FAX: [630] 794-5776 • E-MAIL: nyb@nyb.com

Visit us on the Web: <http://www.nyb.com>