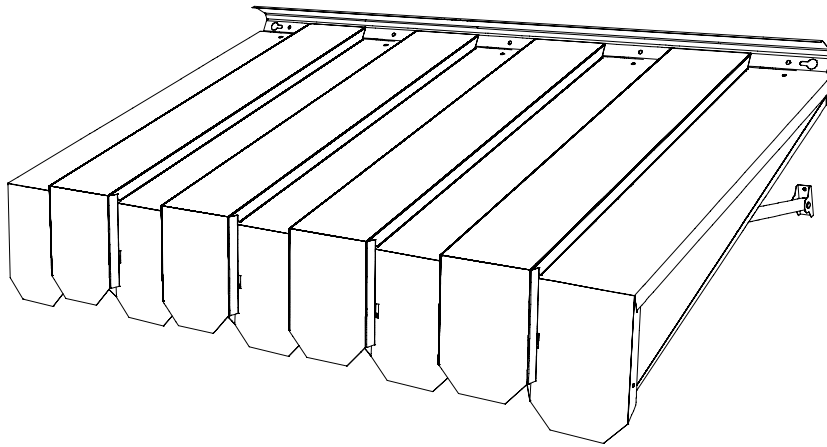




Contact us @ (800)851-0865

## ALUMA VENT AWNING WITH VALANCE END ASSEMBLY INSTRUCTIONS



### ***Recommended Tools:***

Drill or Elec. Screw-driver  
1/4" Socket  
Phillips Screw Driver  
Pliers

### ***For Ease of Assembly and Installation***

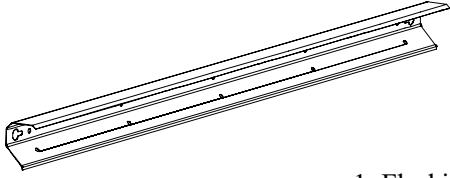
- Familiarize yourself with component parts

**Plus:** The correct screws/anchors needed to attach awning to your homes' exterior finish. One per 10" of awning length.  
3/16" dia.

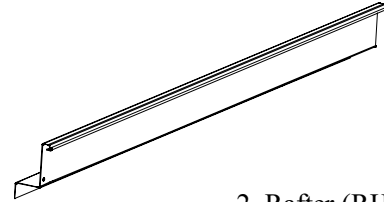
Rev'd - 10/31/05

## AWNING PARTS LIST

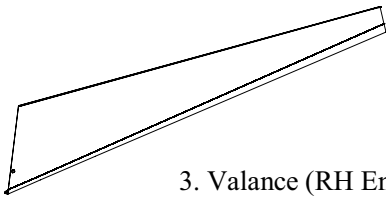
NOTE: The number of parts needed for installation will vary on the size of the awning.



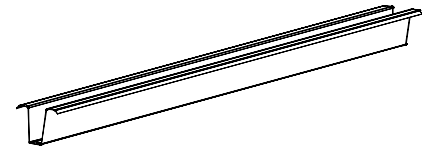
1. Flashing



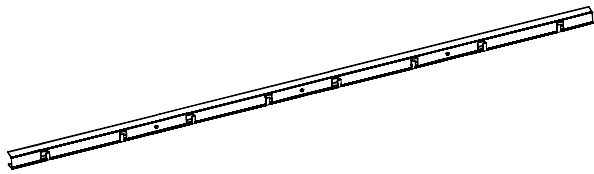
2. Rafter (RH End Shown)



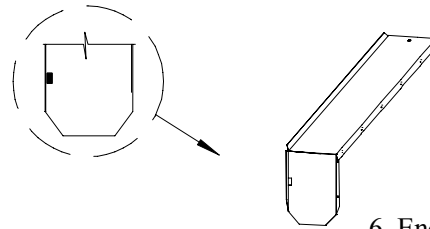
3. Valance (RH End Shown)



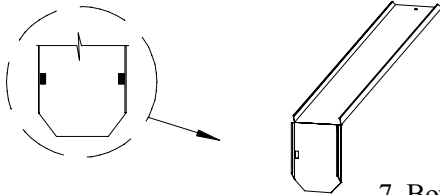
4. Runner



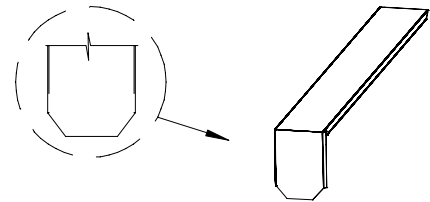
5. Apron Bar



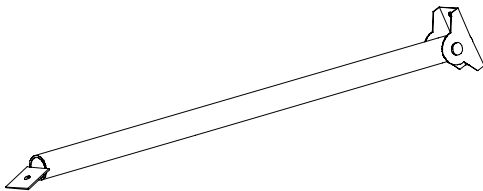
6. End Pan (RH End Shown)



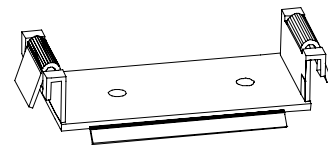
7. Bottom Pan



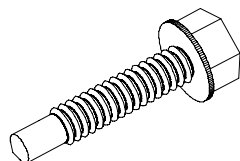
8. Top Cover



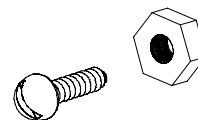
9. Wall Brace



10. Clips



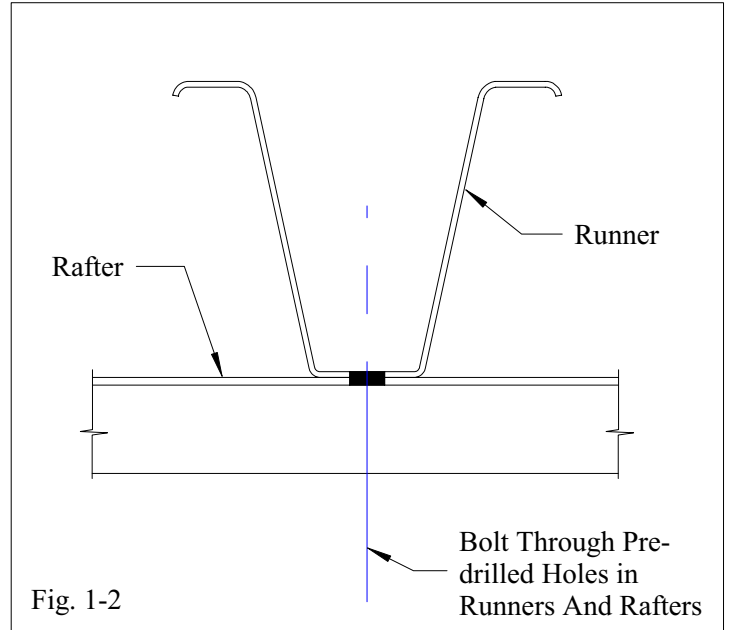
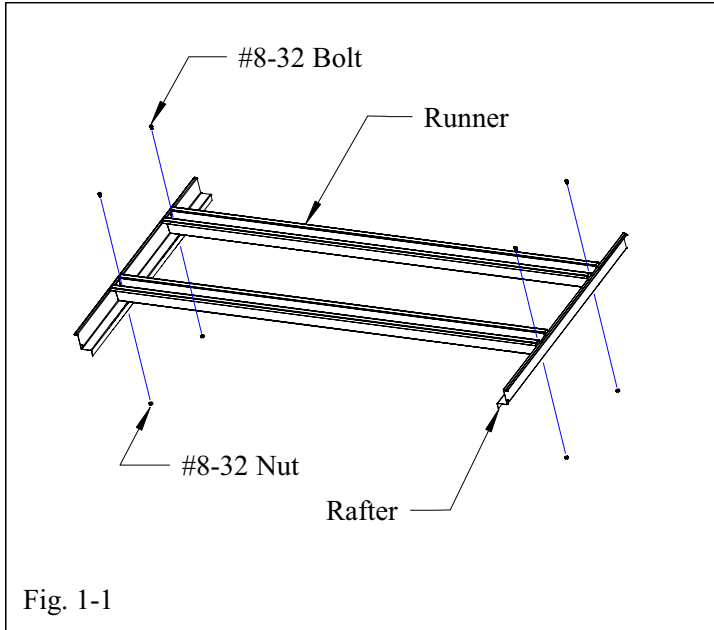
12. #8 x 3/4" Tek Screw



13. #8-32 x 1/2" Bolt & #8 Nut

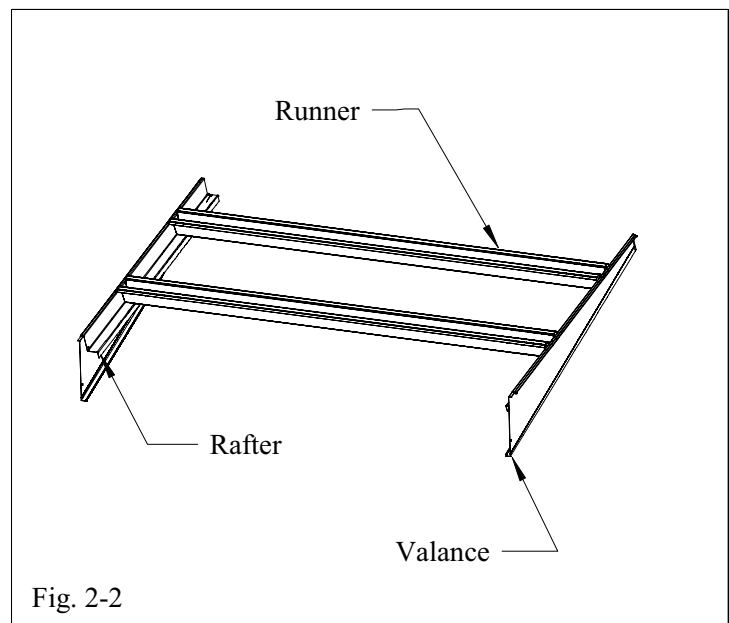
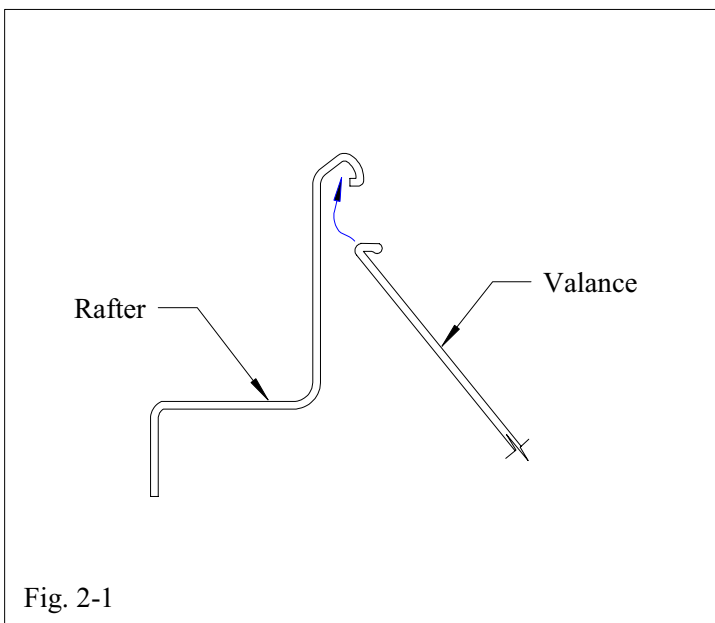
## **STEP 1.**

Attach the runners to the rafters by turning runners with opening up and align with prepunched holes through top of rafter (see Fig. 1-2). To determine right and left rafters place rafter with small curl up and outside with notches to front of the awning (see Fig 1-1).



## **STEP 2.**

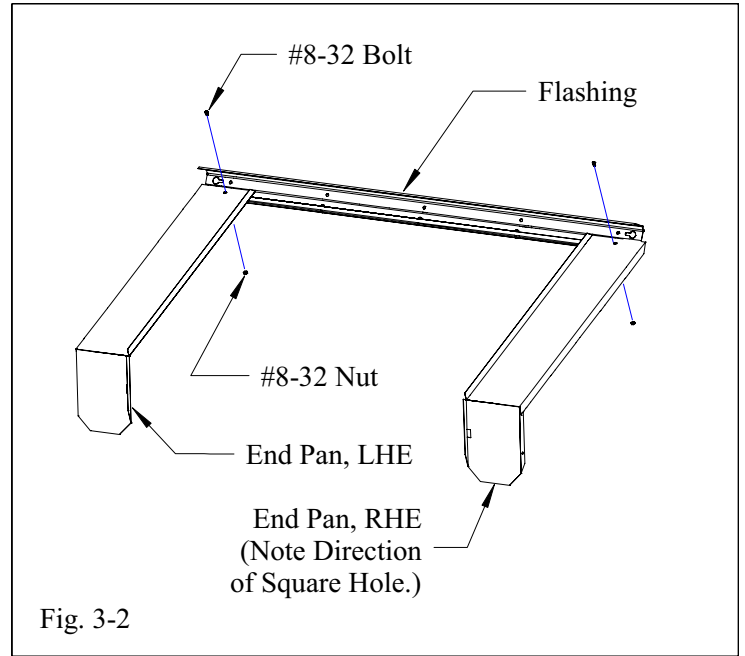
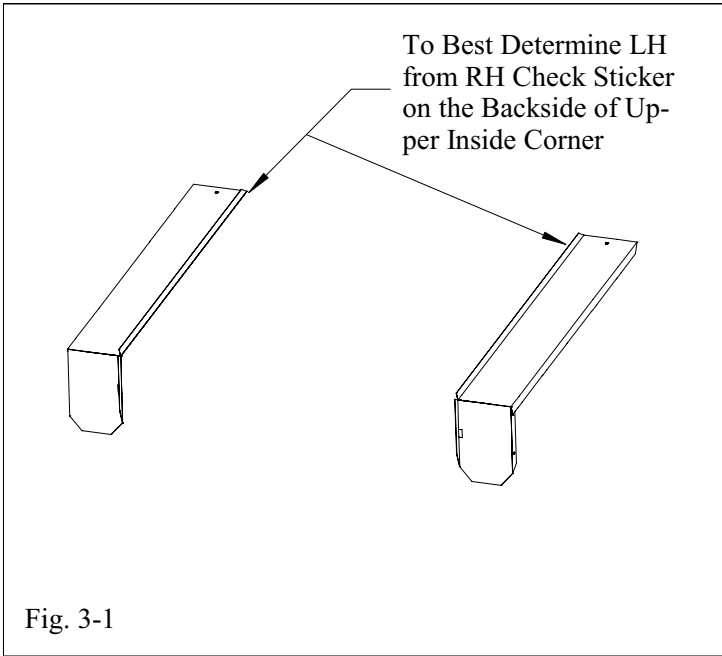
Hook small lip of valance side trim into curl of rafter (see Fig 2-1) and allow back point of the valance side trim to extend beyond the end of the rafter 1/4 inch (see Fig. 2-2). Install other end as shown.



### **STEP 3.**

Bolt end pans to flashing through holes provided in pans and flashing using #8-32 bolts and nuts.

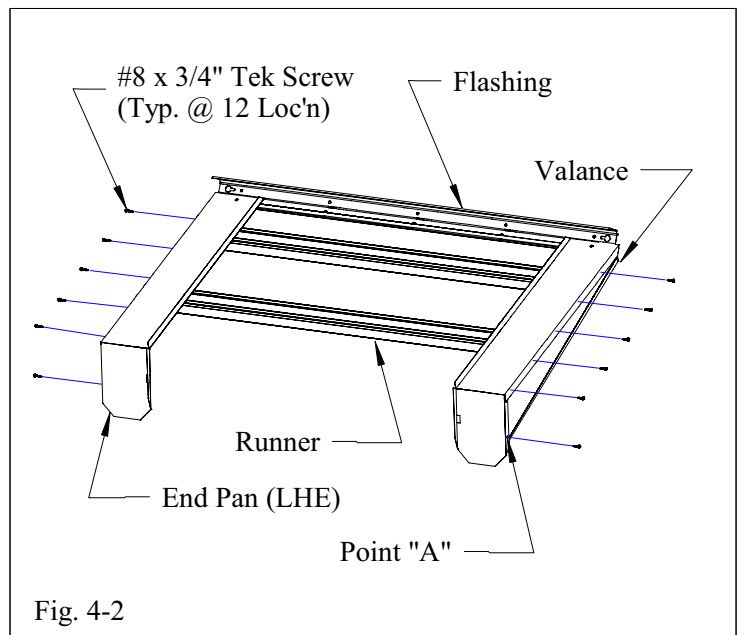
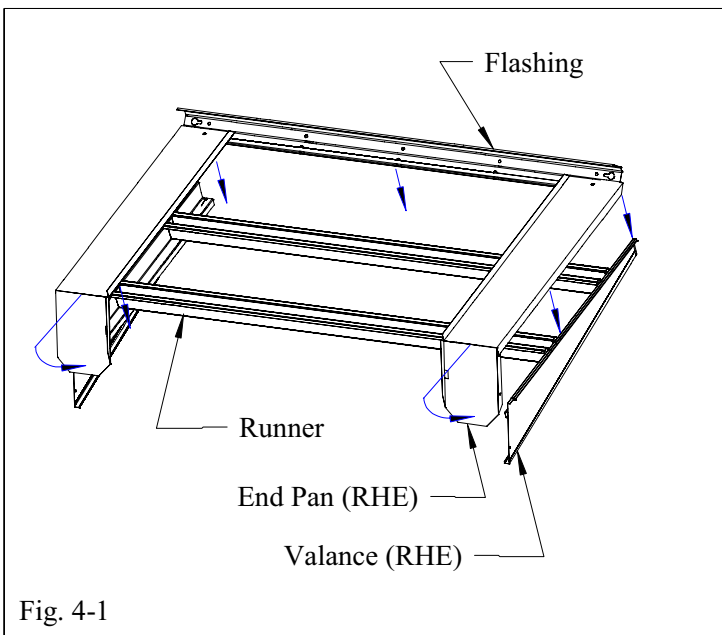
NOTE: End pans have legs turning both up and down. Install so rectangular hole turns toward center of the awning and straight legs turn down.



### **STEP 4.**

Turn valance of pans down to about a 45 deg. angle and position pan assembly over end trim-runner assembly (see Fig. 4-1). The straight leg of the end pans overlap the curl of the rafter and the interlocked side trim. Holding valance end of pan against front end side of trim, line up hole at point "A" and install #8 x 3/4" screw. Line up remaining holes along end pan lip and install #8 x 3/4" screws (see Fig. 4-2).

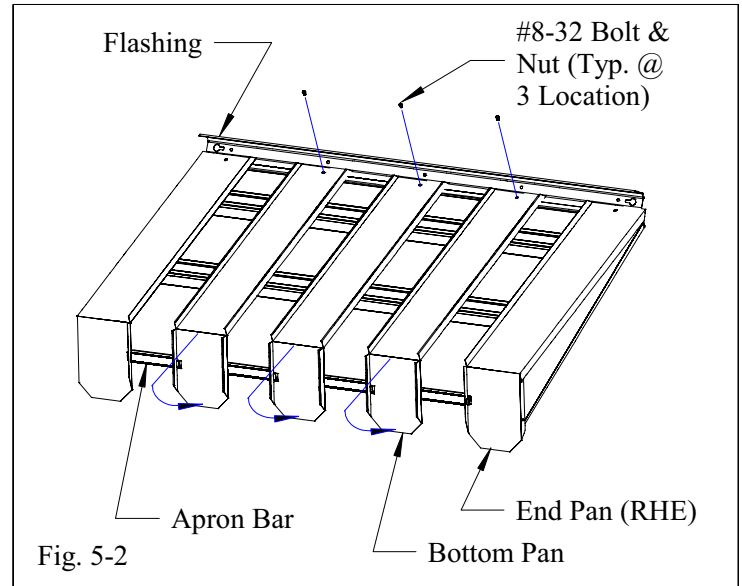
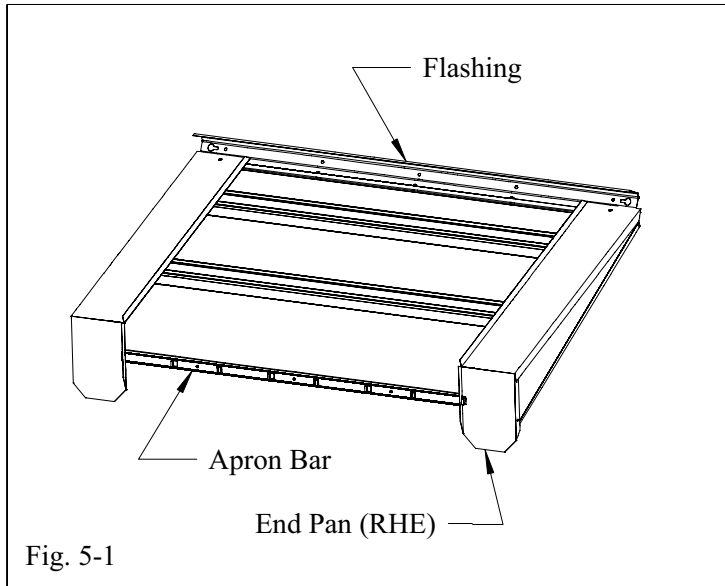
Note: Use a drill or elec. screw driver with a 1/4" driver to self tap a hole into the curl of the valance using the predrilled holes in the end pans as guides.



## **STEP 5.**

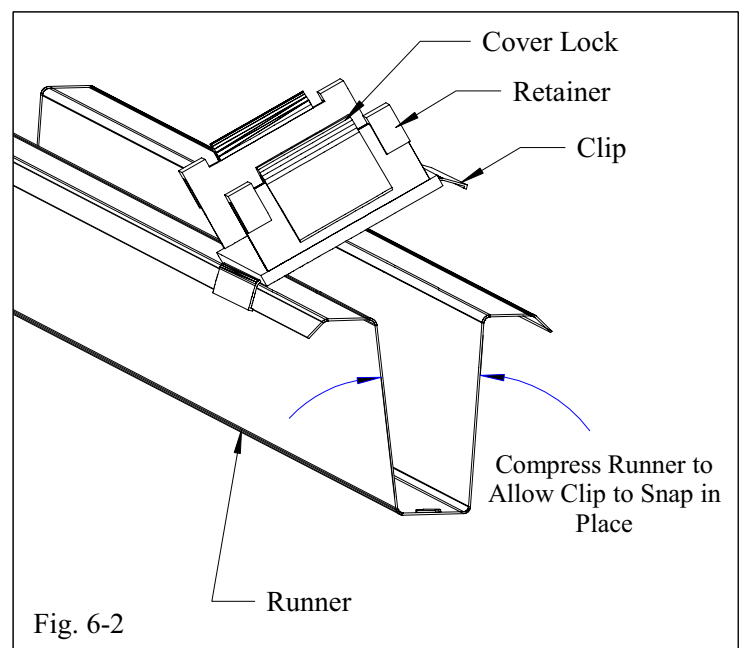
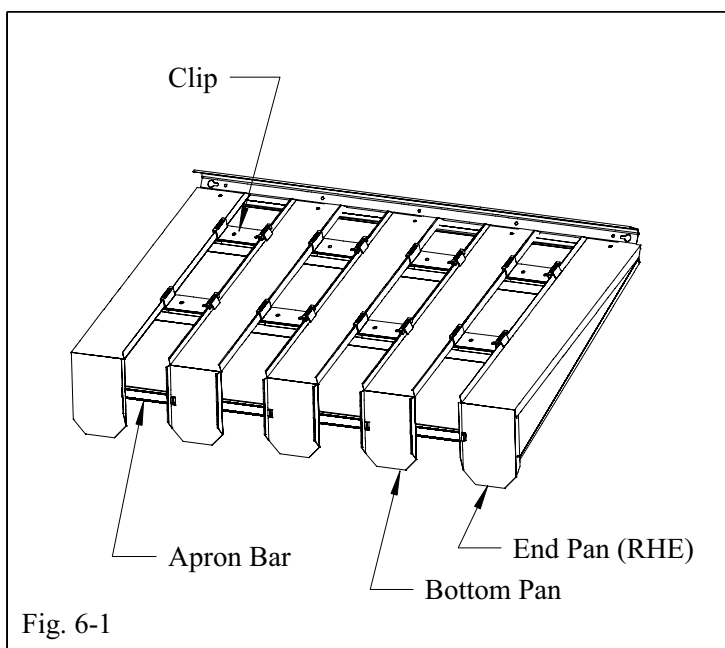
This step must be done to maintain correct alignment. Position apron bar behind both end pans (pans with only 1 hole at bottom) by placing end hook through the rectangular holes in the pan (see Fig. 5-1). Apron bar only attaches to the pans and does not latch tight till covers are installed - must use apron bar to position pans and proceed to Fig. 6. Install remaining pans (2 rectangular holes) using #8-32 bolts & nuts to attach to flashing (see Fig. 5-2).

Tip: The apron bar may be temporarily held in place by inserting a fold of wrapping paper between the hooks and the pans or taping in place until the covers can be installed.



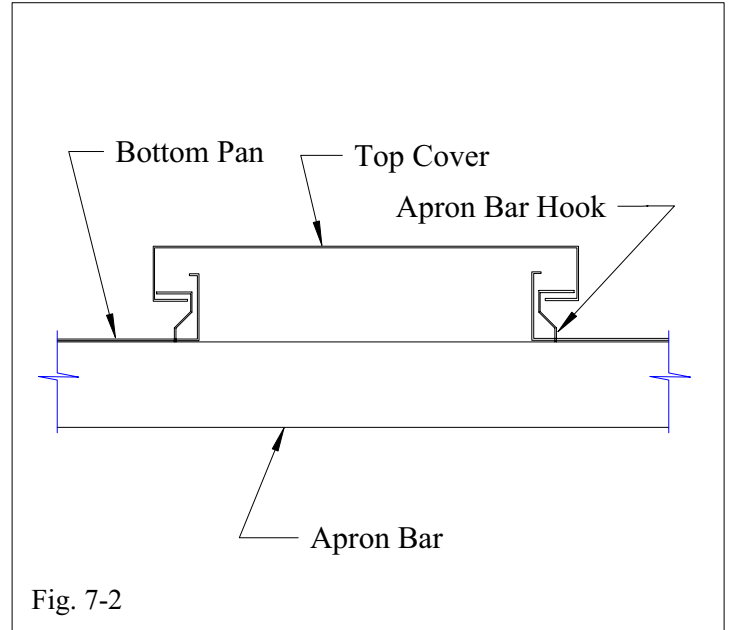
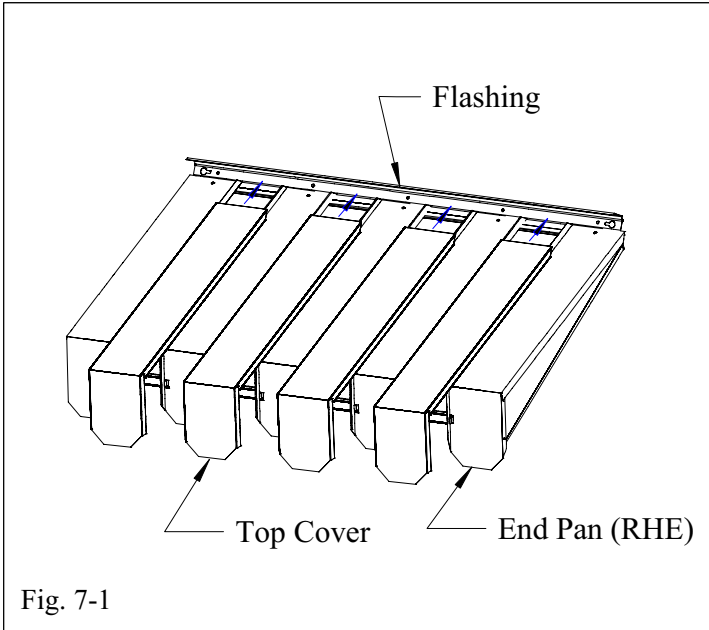
## **STEP 6.**

After correct spacing is obtained by using the apron bar, install clips. Hook one side of the clip on runner between pans, with retainers bent over both pans. Rock clip down and snap on to other side of runner. Compress open end of runner to snap clip into place (see Fig 6-2). Snap all clips in place as shown (see Fig. 6-1)  
Note: Bend down retainers (NOT cover locks, see Fig 6-2) with a pair of pliers so that the edge of pans are securely in place.



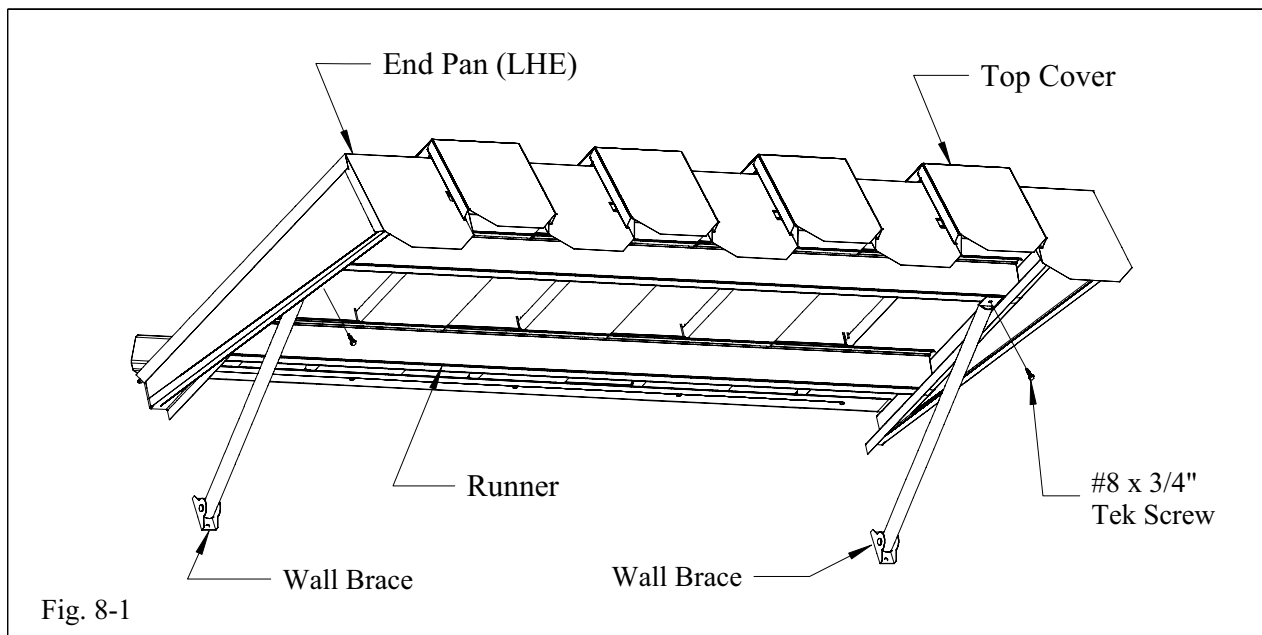
## **STEP 7.**

Bend the valance of the top covers to about a 45 deg. angle or the same as the pans. Align the covers with the clips and snap them down over the lock (see Fig. 7-1). Slide top covers back toward flashing and hook valance to apron bar hooks (see Fig 7-2).



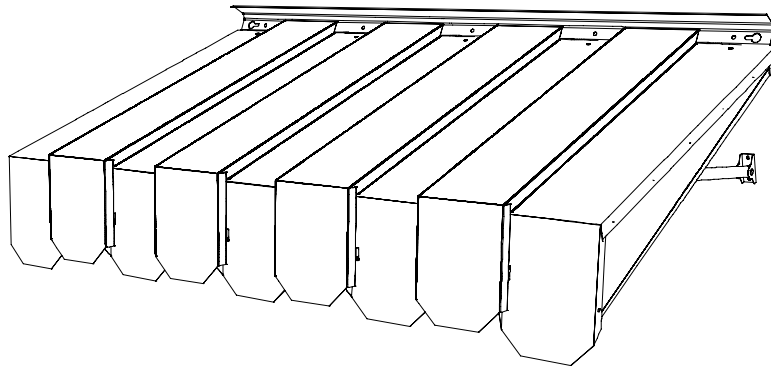
## **STEP 8.**

Attach arm braces to rafter with a self tapping screw or arm braces may also be attached to runner with a self tapping screw.



## Assembly Completed

The awning may now be hung on the wall using holes provided in the flashing and arm braces.  
Caulk along top of the flashing and check mounting screws.



Other Products Available From Americana: Fabric Awnings - Carports - Patio Covers - Room Enclosures - Park Shelters  
Check Out Our Website @ [www.americana.com](http://www.americana.com)