

ALUMINIUM COMPOSITE PANEL



Specification

1200, 1250, 1575 (width) x 2440, 3200 (length) x 3 (thickness) MM.
 1200, 1250, 1575 (width) x 2440, 3200 (length) x 4, 5, 6 (thickness) MM.

Standard Color

30 Colors

Customised Requirement

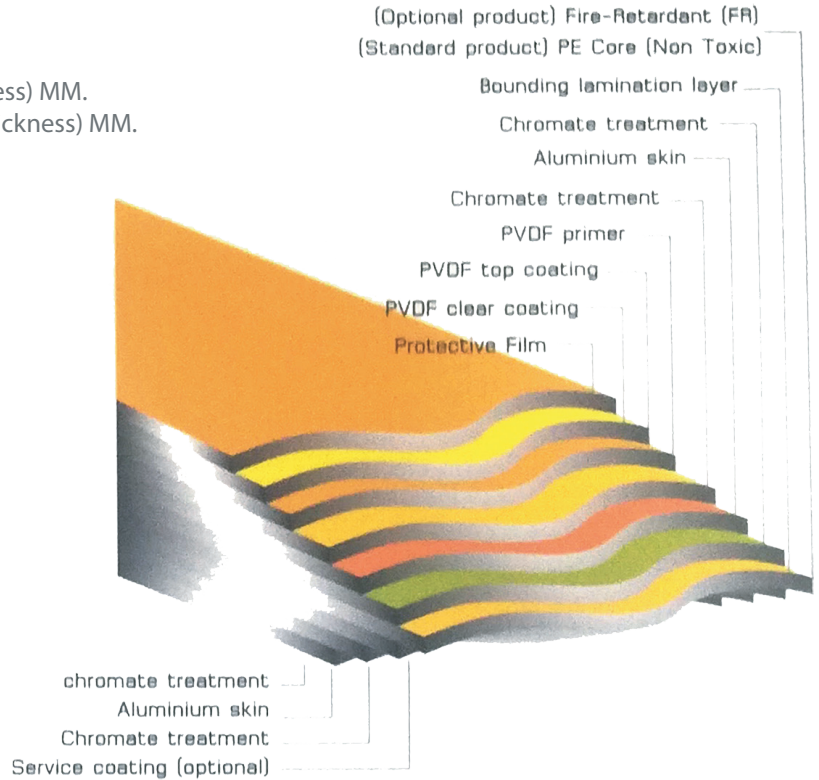
Available

Special Color

As per request

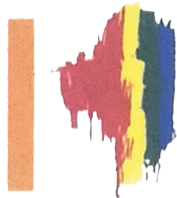
Application

Wall curtain, Hangin board
 Building refurbishment, Ground Structure material
 Dado, Interior Partition, Show case
 Advertising plate, Sign board



Excellent torsion strength

With varieties of advanced equipment and strict control, the brand panel features high strength with excellent torsion strength and bending strength under heavy loads, and also excellent weather resistance.



Excellent impact resistance

It has good impact resistance, toughness, and bending rigidity. It will not be damaged when it's suffering from sand blown by wind.



Easy processing and installation

The panel is easy to process for light weight(3.5-5.5kg7sqm). All cutting, milling, planning, slotting, side-folding and curving can be easily fulfilled by simple tools. Both indoor and outdoor decoration can be implemented simultaneously so as to raise working efficiency and short working time.



Excellent weather resistance

The panel is coated with fluoro-carbon (PVDF) resin. It has strong adhesion, and alkali resistance, powdering resistance of ultraviolet light. It has 20 yeras life span.



Even coating & various color

With the application of Henkle technology, it enable to produce varities of colors at your choice.



Outstanding characteristics of Fire proof

The brand fireproof aluminium plastic pance fullfills the requirement of fireproof standard due to the usage of modified polyvinyl plastic interlayer in between without toxicity and covering of uninfammable aluminium layer at two sides. The ability of fireproof is higher than index requirement of grade B1.



Easy to maintain

The panel can be cleaned with water.



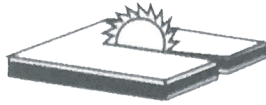
METHOD STATEMENT

Panel is very easy to process. All cutting, milling, slotting, side-folding and curving can be easily fulfilled by simple tools used for processing timber and metal. It can be shapes, such as curve, reserve curve, curve corner and sharp curve, according to requirements of building design. It is incomparable for other decorating materials.

Normal aluminium product processing machinery and wood product processing machinery can be used for processing panel without special device.

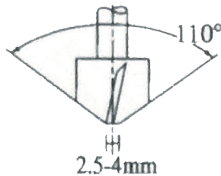
Saw cutting

It can be saw cut with ordinary base plate saw. It is recommended to use hard alloy blade.



Saw cutting

It is important to make V-type slotting process with a distance of 0.2-0.4 mm from the polyethylene substrate. Recommended slot angle is 110.



(1) Milling machine and trimmer

Use the modified drill as showed in the left chart.

Running speed: 20000-30000 rpm

Feed speed: 3-5m/min

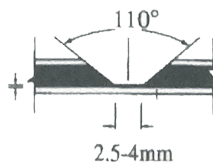
Metaerial: hard alloy



(2) When processing large quantity of V-type slots,

It is recommended to use round saw and belt saw. And the following is an example of slotter:

Material:	hard alloy flake
outer diameter:	3-5 mm
number of teeth:	24
running speed:	3000-5000 rpm
feed speed:	5 m/min.



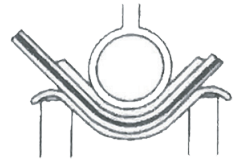
Bending with panel folder

If it is operated on the platform, bending part can be made tidy.



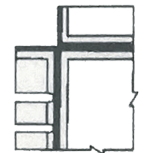
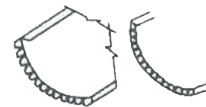
Bending with panel bender

When plate folder is used for finishing of ALCOBOND panel, dies shall be placed with appropriate radius.



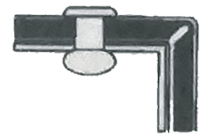
Bending with 3-roller panel bender

3-roller panel bender is preferred for bending of large internal diameter to plate folder.



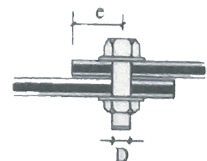
Riveting

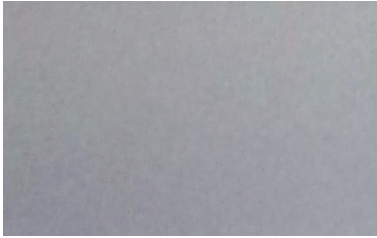
Easy penetration of counter sunk rivet through panel.



Bolting

Considering from deformation limit, formul e2D is the best calculation way of aperture D and distance from hole center to plate end.





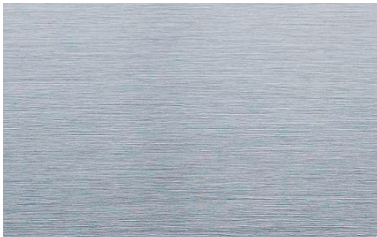
090-08-5641-1
Color: GREY



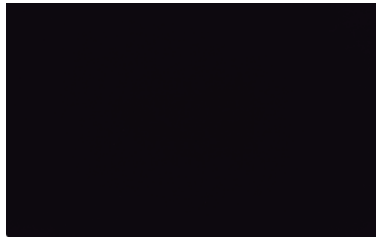
090-08-5638-1
Color: DK.GREY



090-09-0158
Color: LIGHT ORANGE



090-08-5636-1
Color: RED



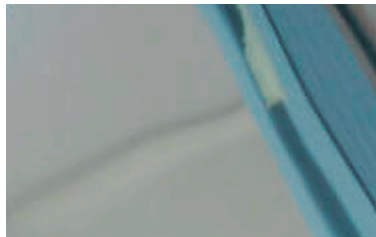
090-08-5639-1
Color: BLACK



090-09-0158-1
Color: DARK ORANGE



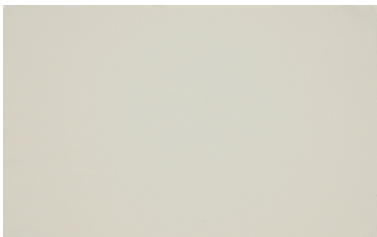
090-08-5632-1
Color: SILVER FLASH



090-10-0064
Color: MIRROR



090-08-5636-1
Color: RED



090-08-5634-1
Color: WHITE



090-08-5635-1
Color: NAVY



090-08-5642-1
Color: LIGHT BLUE



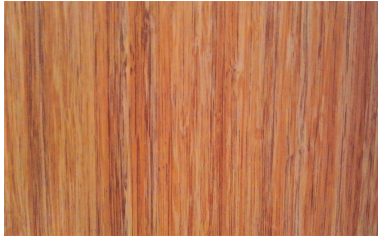
090-10-0137
Color: WHITE FLOWER



090-09-0156-1
Color: APPLE GREEN



090-09-0157
Color: DK. GREEN



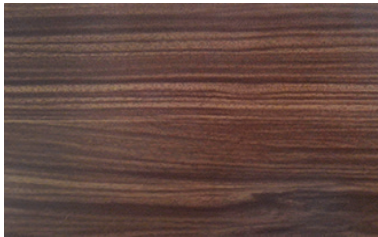
090-13-37526
Color: WOODEN BAMBOO



090-08-5637-1
Color: GOLD



090-11-1034
Color: BROWN COOPER



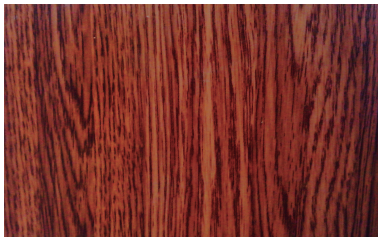
090-013-37098
Color: WOOD GREY



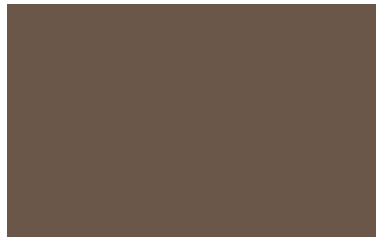
090-09-5674-1
Color: YELLOW



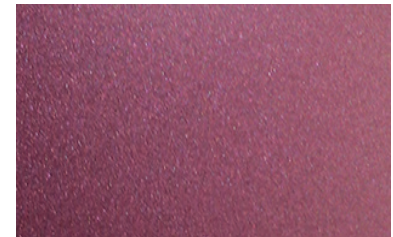
090-13-1040
Color: BROWN



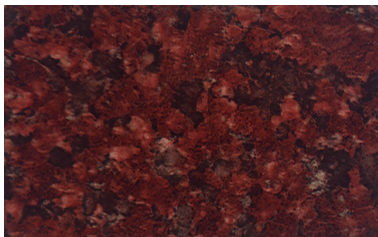
090-13-37373
Color: WOODEN BROWN



090-10-0065
Color: COFFEE



090-13-10704
Color: PURPURA
TORNASOLADO



090-10-0141
Color: INDIA RED



090-11-1038
Color: COFFEE CHAMPANG



090-10-0138
Color: GOLD FLOWER



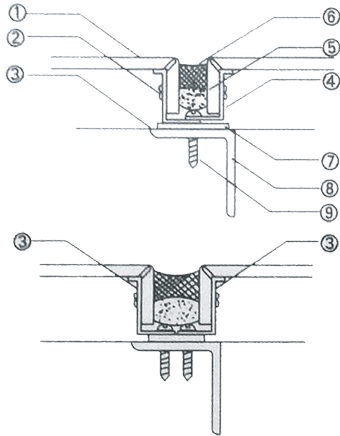
090-08-5637
Color: GOLD

METHOD STATEMENT

Example of the type and joint desing (A)

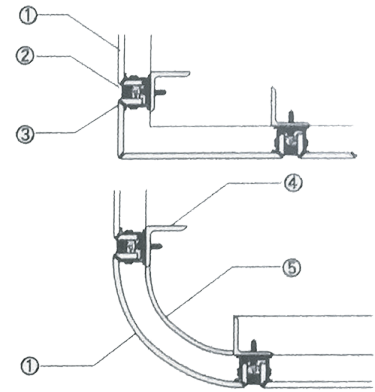
Angle aluminium and seal joint (1)

1. Alcobond Panel
2. Aluminium river
3. Angle Aluminium
4. Angle Aluminium
5. Plastic lining bar
6. Sealing material
7. Spacer
8. Angle bar
9. Bullen screw



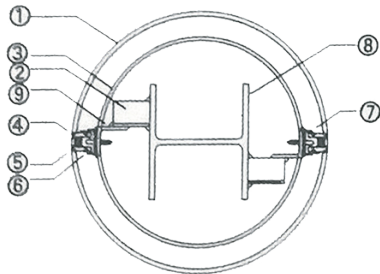
Installation example of external

1. Alcobond Panel
2. Sealing material
3. Lining material
4. Angle bar
5. Steel plate strip



Example of column covering

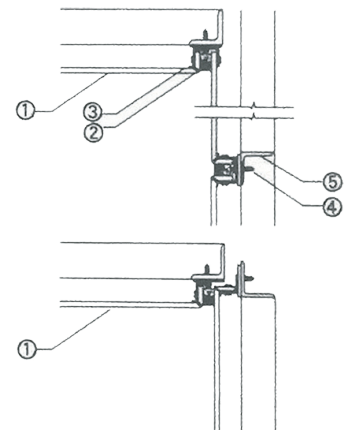
1. Alcobond Panel
2. Angle support
3. Steel plate strip
4. Sealing material
5. Plastic lining bar
6. Accesories
7. Bullen screw
8. Bearing strut
9. Angle bar



Above mentioned accesories are used for low buildings.

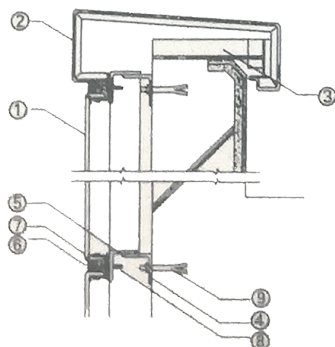
Installation example of internal corner

1. Alcobond Panel
2. Sealing material
3. Lining material
4. Angle bar
5. Bullen scr



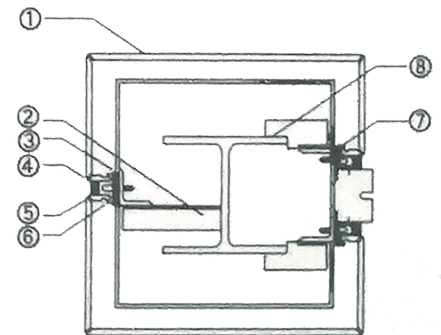
Installation example of building top

1. Alcobond Panel
2. Building top
3. Angle support
4. Angle support
5. Angle bar
6. Sealing material
7. Lining material
8. Bullen screw
9. Buit-in anchoring or expanding bolt



Example of sturt covering

1. Alcobond Panel
2. Angle support
3. Angle bar
4. Sealing material
5. Plastic lining bar
6. Accesories
7. Bullen screw
8. Bearing strut



Above mentioned accesories are used for low buildings.