

# HOGEBUILT

The Ultimate Finish for Trucks™



[www.HOGEBUILT.com](http://www.HOGEBUILT.com)



# HOGEBUILT

**The Ultimate Finish for Trucks**™<sup>®</sup>

784 Bill Jones Industrial Drive, Suite B | Springfield, TN 37172

Phone: 800-421-1589 | Fax 800-421-1589

sales@hogebuilt.com | customerservice@hogebuilt.com

[www.HOGEBUILT.com](http://www.HOGEBUILT.com)



# Table of Contents

PAGE DESCRIPTION	PAGE
Table of Contents & Placing Orders	1
Mission Statement	2
Quarter Fender Premium Option Kits	3
Quarter Fender Mid-Grade Option Kits	7
Quarter Fender Custom Mounting Options	9
Single Axle Fenders	11
Half Tandem Fenders	13
Half Tandem Custom Mounting Options	15
Full Tandem Fenders	17
Tear Drop & Flanged Full Tandem Fenders	19
Full Tandem Custom Mounting Options	21
Mounting Components	23
Top Flap, Rear Bracket & Grille	24
Hogebuilt Online	25
Claims, Returns & Warranty Information	26



## CALL HOGEBUILT

800-421-1589



## FAX HOGEBUILT

800-421-1589



## EMAIL HOGEBUILT

[sales@hogebuilt.com](mailto:sales@hogebuilt.com)

[customerservice@hogebuilt.com](mailto:customerservice@hogebuilt.com)



## ONLINE HOGEBUILT

[www.hogebuilt.com](http://www.hogebuilt.com)



## PLACING ORDERS

- E-MAIL order details to [customerservice@hogebuilt.com](mailto:customerservice@hogebuilt.com)
- FAX order details to our Customer Service Team: **800-421-1589**
- Contact our Customer Service Team Leader: **800-421-1589**
- Order must define any unique handling, shipping or processing requirements.
- Minimum order is \$250.

## FREIGHT POLICY

- All orders are FOB Springfield, TN 37172
- COD orders are not accepted.
- Prepaid freight is available on orders exceeding \$3,500 in product value to customers in good standing (1 order/ 1 destination in the continental U.S).
- Prepaid Freight carrier and routing is at Hogebuilt's discretion.

# HOGEBUILT

## The Ultimate Finish for Trucks

Hogebuilt's mission is to produce the best-looking quality stainless steel fenders in the trucking industry; and to achieve The Ultimate Finish for Trucks! Hogebuilt entered the heavy-duty truck market in 1973 by introducing the very first 27", 30" and 34" quarter fender options produced in a 304 stainless steel with a mirror finish and our unique three inch side flange. Our side flange is the longest in the industry and gives Hogebuilt products the sleek look that our customers desire. To complement its line of fenders, Hogebuilt was the first in the industry to develop a complete line of unique suspension specific mounting brackets. At this time, we have all models to choose from, filling the needs of all major truck manufacturers.

Hogebuilt remains the recognized leader in the manufacturing of premium quality truck and trailer spray suppression systems over these past 44 years. We now offer a complete line of quarter, single, tandem and half-tandem fenders manufactured of premium 304 mirror finish stainless steel for a lasting image. Hogebuilt has added a mid grade line of fenders produced in a 430 stainless steel with a mirror shine finish. Our engineered custom brackets integrate the fenders with the suspension system for sustained reliability. All of our Hogebuilt fenders are handcrafted in the USA.

Hogebuilt quarter fenders and custom brackets are factory installed options on select trucks for Peterbilt and Kenworth factories.

Contact your local Chrome Shop, Peterbilt or Kenworth dealer for genuine Hogebuilt products!





# Quarter Fender Premium Option Kits

304 Stainless Steel | 16 Gauge Perfect Mirror Finish



**Q124  
24" Quarter  
Fender Kit**

Part No.	Size	Install Style	Wt.	Description
Q124	24" 28" With Flap	Triangle Arm	40 lbs. (pair)	304 SS 16 ga. Perfect Mirror Finish

### Kit Includes

- (2) MF124 24" Fenders
- (2) MQ2000 Mount Brackets - 304 Stainless Steel
- (2) F - 15 Vinyl Hogebuilt Top Flap
- (2) 1538SS Clamps - Stainless Steel

Part No.	Size	Install Style	Wt.	Description
Q127	27" 31" With Flap	Triangle Arm	44 lbs. (pair)	304 SS 16 ga. Perfect Mirror Finish

### Kit Includes

- (2) MF127 27" Fenders
- (2) MQ2000 Mount Brackets - 304 Stainless Steel
- (2) F - 15 Vinyl Hogebuilt Top Flap
- (2) 1538SS Clamps - Stainless Steel

**Q127  
27" Quarter  
Fender Kit**



**Q130  
30" Quarter  
Fender Kit**

Part No.	Size	Install Style	Wt.	Description
Q130	30" 34" With Flap	Triangle Arm	48 lbs. (pair)	304 SS 16 ga. Perfect Mirror Finish

### Kit Includes

- (2) MF130 30" Fenders
- (2) MQ2000 Mount Brackets - 304 Stainless Steel
- (2) F - 15 Vinyl Hogebuilt Top Flap
- (2) 1538SS Clamps - Stainless Steel

Part No.	Size	Install Style	Wt.	Description
Q134	34" 38" With Flap	Triangle Arm	50 lbs. (pair)	304 SS 16 ga. Perfect Mirror Finish

### Kit Includes

- (2) MF134 34" Fenders
- (2) MQ2012 Mount Brackets - 304 Stainless Steel
- (2) F - 15 Vinyl Hogebuilt Top Flap
- (2) 1538SS Clamps - Stainless Steel

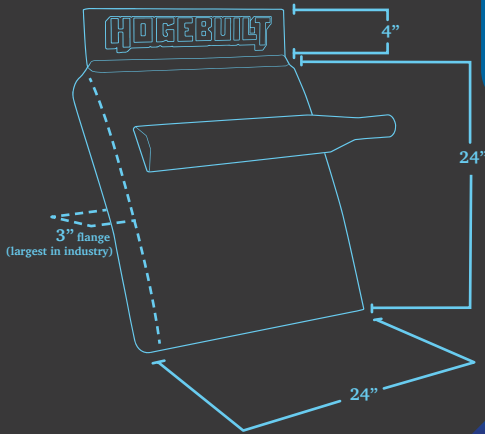
**Q134  
34" Quarter  
Fender Kit**



Note: Quarter fenders are fully assembled.

## Q124 24" Quarter Fender Kit

24" / 27" / 30" / 34"  
Available



304 Stainless Steel | 16 Gauge Perfect Mirror Finish



# Quarter Fender Premium Option Kits

## 304 Stainless Steel | 16 Gauge Perfect Mirror Finish

Part No.	Size	Install Style	Wt.	Description
SL100424	30" 34" With Flap	U-bolt	58 lbs. (pair)	304 SS 16 ga. Perfect Mirror Finish

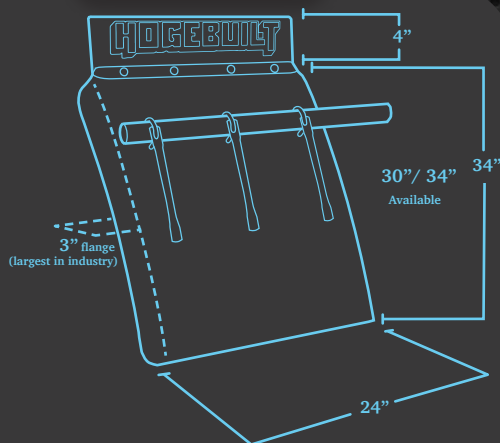
### Kit Includes

- (2) 1540E 30" Fenders
- (2) 1633 Tube Brackets - 28"  
304 Stainless Steel
- (2) F - 15 Vinyl Hogebuilt Top Flap
- (2) 1538SS Clamps - Stainless Steel
- (1) 1512 Support Arms & Hardware
- (1) 1518 U-bolt Kit - Stainless Steel

### SL100424 30" Quarter Fender Kit



### JL100424 34" Quarter Fender Kit



Note: Quarter fenders are fully assembled.

Part No.	Size	Install Style	Wt.	Description
JL100424	34" 38" With Flap	U-bolt	67 lbs. (pair)	304 SS 16 ga. Perfect Mirror Finish

### Kit Includes

- (2) 1540L 34" Fenders
- (2) 1633 Tube Brackets - 28"  
304 Stainless Steel
- (2) F - 15 Vinyl Hogebuilt Top Flap
- (1) 1512 Support Arms & Hardware
- (1) 1518 U-bolt Kit - Stainless Steel



# Quarter Fender Premium Option Kits



304 Stainless Steel | 16 Gauge Perfect Mirror Finish



# Quarter Fender Mid-Grade Option Kits

430 Stainless Steel | 16 Gauge Mirror Shine



**M124**  
**24" Quarter**  
**Fender Kit**

Part No.	Size	Install Style	Wt.	Description
M124	24" 28" With Flap	Triangle Arm	34 lbs. (pair)	430 SS 16 ga. Mirror Shine

### Kit Includes

- (2) 24" Fenders
- (2) MV2000 Mount Brackets - 430 Stainless Steel
- (2) Vinyl Hogebuilt Top Flap
- (2) Clamps - Stainless Steel

Part No.	Size	Install Style	Wt.	Description
M127	27" 31" With Flap	Triangle Arm	37 lbs. (pair)	430 SS 16 ga. Mirror Shine

### Kit Includes

- (2) 27" Fenders
- (2) MV2000 Mount Brackets - 430 Stainless Steel
- (2) Vinyl Hogebuilt Top Flap
- (2) Clamps - Stainless Steel



**M127**  
**27" Quarter**  
**Fender Kit**

Part No.	Size	Install Style	Wt.	Description
M130	30" 34" With Flap	Triangle Arm	42 lbs. (pair)	430 SS 16 ga. Mirror Shine

### Kit Includes

- (2) 30" Fenders
- (2) MV2000 Mount Brackets - 430 Stainless Steel
- (2) Vinyl Hogebuilt Top Flap
- (2) Clamps - Stainless Steel



**M130**  
**30" Quarter**  
**Fender Kit**

Part No.	Size	Install Style	Wt.	Description
M134	34" 38" With Flap	Triangle Arm	47 lbs. (pair)	430 SS 16 ga. Mirror Shine

### Kit Includes

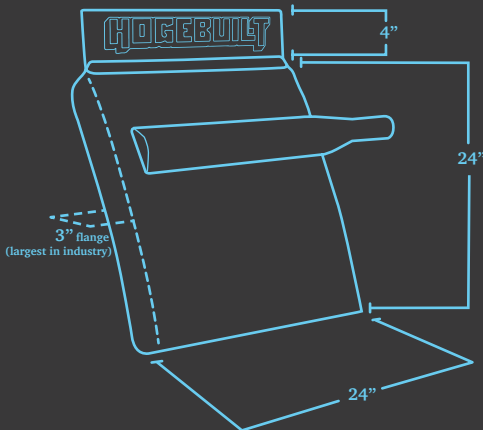
- (2) 34" Fenders
- (2) MQ2012 Mount Brackets - 304 Stainless Steel
- (2) Vinyl Hogebuilt Top Flap
- (2) Clamps - Stainless Steel



**M134**  
**34" Quarter**  
**Fender Kit**

Note: Quarter fenders are fully assembled.





## M124 24" Quarter Fender Kit

24" / 27" / 30" / 34"  
Available



# Quarter Fender Custom Mounting Options

304 Stainless Steel | 16 Gauge Mirror Finish



Fender No.	Size	Install Style	Description
SL1006	30" 34" Overall	Custom Bracket	304 SS 16 ga. Perfect Mirror Finish
JL1006	34" 38" Overall	Custom Bracket	304 SS 16 ga. Perfect Mirror Finish

## HOW TO CUSTOMIZE YOUR RIG

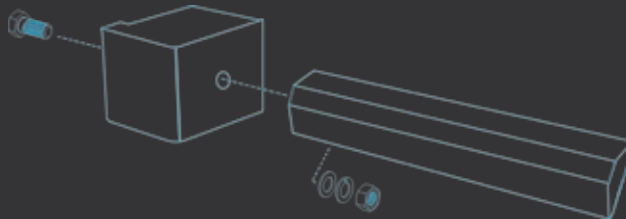
- 1 Choose your fender
- 2 Locate your suspension
- 3 Obtain KIT NUMBER

**SL1006 1PB**

## Mounting Options

Truck Make	Suspension	RH Bracket	LH Bracket	Kit Part No.
Peterbilt	Air Leaf (1993+)	1754 <b>1PB</b>	1755 <b>1PB</b>	[Fender #] <b>1PB</b>
Peterbilt	Flex Air	1754 <b>2PB</b>	1755 <b>2PB</b>	[Fender #] <b>2PB</b>
Peterbilt	Low Air (2005+, 22.5 & 24.5 Low Pro Tires)	1754 <b>4PB</b>	1755 <b>4PB</b>	[Fender #] <b>4PB</b>
Peterbilt	Low Air (2005+, 24.5 Tall Tires)	1754 <b>5PB</b>	1755 <b>5PB</b>	[Fender #] <b>5PB</b>
Peterbilt	Air Trac	1754 <b>6PB</b>	1755 <b>6PB</b>	[Fender #] <b>6PB</b>
Peterbilt	Low Air (Pre 2005)	1754 <b>9PB</b>	1755 <b>9PB</b>	[Fender #] <b>9PB</b>
Kenworth	Air Ride (AG400)	FM2012	FM2012	[Fender #] <b>FM1</b>
Kenworth	AG380	1754 <b>2PB</b>	1755 <b>2PB</b>	[Fender #] <b>2PB</b>
Kenworth	AG400L	1754 <b>4PB</b>	1755 <b>4PB</b>	[Fender #] <b>4PB</b>
Freightliner	Air Liner	1754 <b>FL5</b>	1755 <b>FL5</b>	[Fender #] <b>FL5</b>
Universal	Flush Mount	FM2012	FM2012	[Fender #] <b>FM1</b>

Bracket Assembly





**SL10061PB**  
**Complete Fender Kit**

NOTE: All kits include (2) Quarter Fenders with LH and RH mounting brackets



**1PB**



**2PB**



**4PB**



**5PB**



**6PB**



**9PB**



**FL5**



**FM2012**

Universal-Flush Mount.  
See page 23.



# Single Axle Fenders

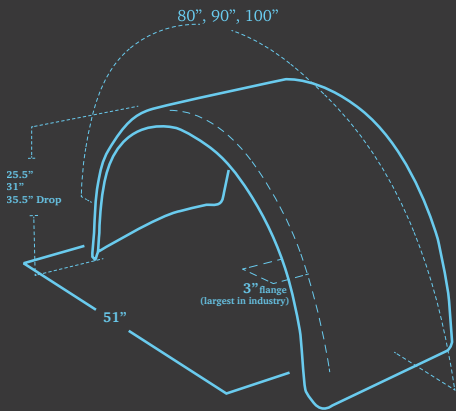
304 Stainless Steel | 430 Stainless Steel



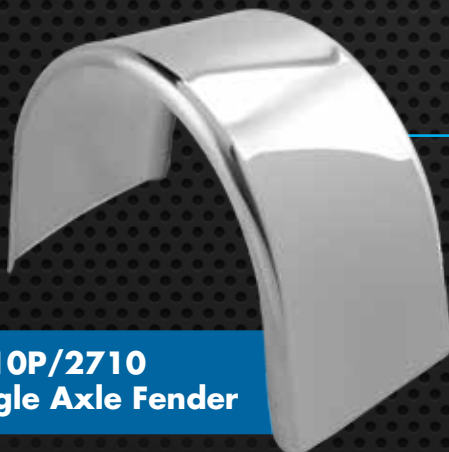
**3706P/2706**  
Single Axle Fender

Part No.	Size	Drop	Wt.	Description
3706P	80" Overall	25.5"	90 lbs. (pair)	304 SS 14 Gauge Perfect Mirror Finish
2706	80" Overall	25.5"	90 lbs. (pair)	430 SS 14 Gauge Mirror Shine

Part No.	Size	Drop	Wt.	Description
3756P	90" Overall	31"	94 lbs (pair)	304 SS 14 Gauge Perfect Mirror Shine
2756	90" Overall	31"	94 lbs (pair)	430 SS 14 Gauge Mirror Shine



**3756P/2756**  
Single Axle Fender



**3710P/2710**  
Single Axle Fender

Part No.	Size	Drop	Wt.	Description
3710P	100" Overall	35.5"	100 lbs (pair)	304 SS 14 Gauge Perfect Mirror Finish
2710	100" Overall	35.5"	100 lbs. (pair)	430 SS 14 Gauge Mirror Shine

# Single Axle Fenders

304 Stainless Steel | 430 Stainless Steel



## Mounting Options



Part No.	Install Style	Description
MQ2012	Universal- Post Mount	304 SS 12 Gauge Perfect Mirror Finish

**MQ2012**

Part No.	Install Style	Description
FM2012	Universal- Flush Mount. See page 23.	304 SS 11 Gauge Perfect Mirror Finish

**FM2012**



# Half Tandem Fenders

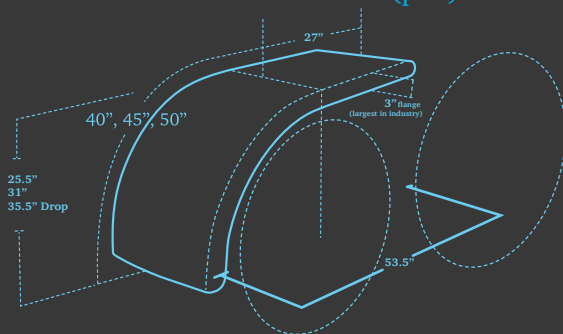
304 Stainless Steel | 430 Stainless Steel



**SS500HT/BA500HT  
Half Tandem Fender**

Part No.	Size	Drop	Wt.	Description
SS500HT	53"	25.5"	80 lbs (pair)	304 SS 14 Gauge Perfect Mirror Finish
BA500HT	53"	25.5"	80 lbs (pair)	430 SS 14 Gauge Mirror Shine

Part No.	Size	Drop	Wt.	Description
SS505HT	53"	31"	90 lbs. (pair)	304 SS 14 Gauge Perfect Mirror Finish
BA505HT	53"	31"	90 lbs. (pair)	430 SS 14 Gauge Mirror Shine



**SS505HT/BA505HT  
Half Tandem Fender  
Low Rider**



**SS510HT/BA510HT  
Half Tandem Fender  
Ultimate Low Rider**

Part No.	Size	Drop	Wt.	Description
SS510HT	53"	35.5"	94 lbs. (pair)	304 SS 14 Gauge Perfect Mirror Finish
BA510HT	53"	35.5"	94 lbs. (pair)	430 SS 14 Gauge Mirror Shine



304 Stainless Steel | 430 Stainless Steel





# Half Tandem Fender Custom Mounting Options

304 Stainless Steel | Perfect Mirror Finish



**SS500HT**  
Half Fender



**SS505HT**  
Half Fender  
*Low Rider*



**SS510HT**  
Half Fender  
*Ultimate Low Rider*



**1406-6A**  
Rear Bracket (pair)

## HOW TO CUSTOMIZE YOUR RIG

- 1 Choose your fender
- 2 Locate your suspension
- 3 Obtain KIT NUMBER

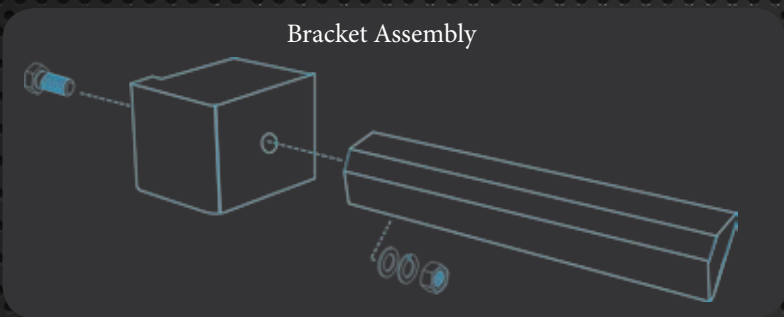
**SS505HT PB4**

## Mounting Options

Truck Make	Suspension	RH Bracket	LH Bracket	Rear Bracket	Kit Part No.
Peterbilt	Air Leaf (1993+)	1772 <b>1PB</b>	1773 <b>1PB</b>	1406-6A	[Fender #] <b>PB1</b>
Peterbilt	Flex Air	1772 <b>2PB</b>	1773 <b>2PB</b>	1406-6A	[Fender #] <b>PB2</b>
Peterbilt	Air Trac (22.5 & 24.5 Low Pro Tires)	1772 <b>3PB</b>	1773 <b>3PB</b>	1406-6A	[Fender #] <b>PB3</b>
Peterbilt	Low Air (2005+, 22.5 & 24.5 Low Pro Tires)	1772 <b>4PB</b>	1773 <b>4PB</b>	1406-6A	[Fender #] <b>PB4</b>
Peterbilt	Low Air (2005+, 24.5 Tall Tires)	1772 <b>5PB</b>	1773 <b>5PB</b>	1406-6A	[Fender #] <b>PB5</b>
Peterbilt	Air Trac (22.5 & 24.5 Low Pro Tires)	1772 <b>6PB</b>	1773 <b>6PB</b>	1406-6A	[Fender #] <b>PB6</b>
Peterbilt	Low Air (Pre 2005)	1772 <b>9PB</b>	1773 <b>9PB</b>	1406-6A	[Fender #] <b>PB9</b>
Kenworth	Air Ride (AG400)	FM2012	FM2012	1406-6A	[Fender #] <b>KW9</b>
Kenworth	AG380	1772 <b>2PB</b>	1773 <b>2PB</b>	1406-6A	[Fender #] <b>PB2</b>
Kenworth	AG400L	1772 <b>4PB</b>	1773 <b>4PB</b>	1406-6A	[Fender #] <b>PB4</b>
Freightliner	Air Liner	1772 <b>FL5</b>	1773 <b>FL5</b>	1406-6A	[Fender #] <b>FL5</b>
Universal	Post Mount	MQ2012	MQ2012	1406-6A	
Universal	Flush Mount	FM2012	FM2012	1406-6A	

**You can order premium replacement parts!**

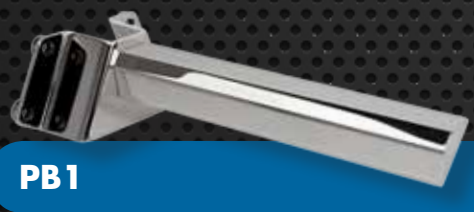
**304 Stainless Steel | Perfect Mirror Finish**



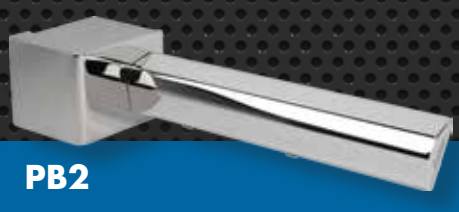
Universal-Flush Mount. See page 23.



**FM2012**



**PB1**



**PB2**



**PB3**



**PB4**



**PB5**



**PB6**



**PB9**



**FL5**



**MQ2012**



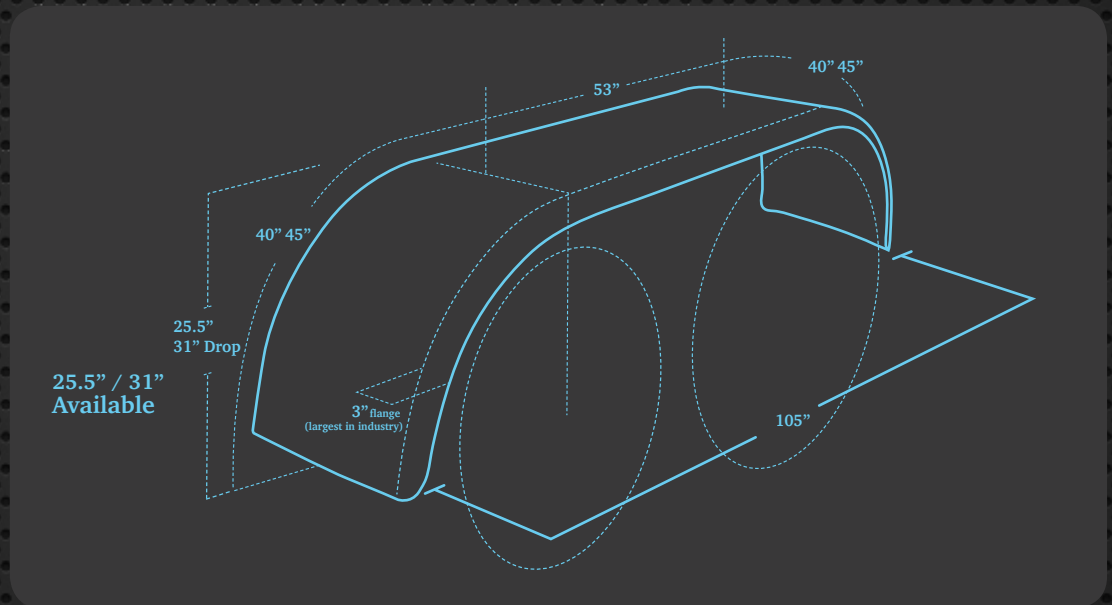
# Full Tandem Fenders

304 Stainless Steel | 430 Stainless Steel



**9506/5506**  
**Full Tandem Fender**

Part No.	Size	Drop	Wt.	Description
9506	105" Tip-to-Tip	25.5"	157 lbs. (pair)	304 SS 14 Gauge Perfect Mirror Finish
5506	105" Tip-to-Tip	25.5"	157 lbs. (pair)	430 SS 14 Gauge Mirror Shine



**9556/5556**  
**Full Tandem Fender**  
**Low Rider**

Part No.	Size	Drop	Wt.	Description
9556	105" Tip-to-Tip	31"	170 lbs. (pair)	304 SS 14 Gauge Perfect Mirror Finish
5556	105" Tip-to-Tip	31"	170 lbs. (pair)	430 SS 14 Gauge Mirror Shine

# Full Tandem Fenders

304 Stainless Steel | 430 Stainless Steel





# Tear Drop & Flanged Full Tandem Fenders

304 Stainless Steel



**9506T**  
Tear Drop  
Tandem Fender

Part No.	Size	Drop	Wt.	Description
9506T	105" Tip-to-Tip	25.5"	167 lbs. (pair)	304 SS 14 Gauge Perfect Mirror Finish

Part No.	Size	Drop	Wt.	Description
9556T	105" Tip-to-Tip	31"	180 lbs. (pair)	304 SS 14 Gauge Perfect Mirror Finish



**9556T**  
Tear Drop  
Tandem Fender  
*Low Rider*



**9506TF**  
Flanged Full  
Tandem Fender

Part No.	Size	Drop	Wt.	Description
9506TF	105" Tip-to-Tip	25.5"	161 lbs. (pair)	304 SS 14 Gauge Perfect Mirror Finish

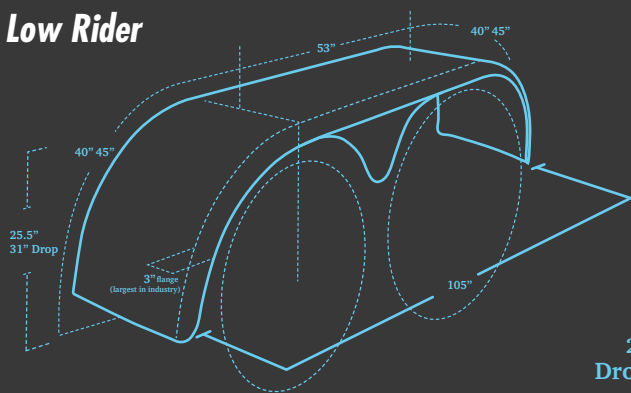
Part No.	Size	Drop	Wt.	Description
9556TF	105" Tip-to-Tip	31"	174 lbs. (pair)	304 SS 14 Gauge Perfect Mirror Finish



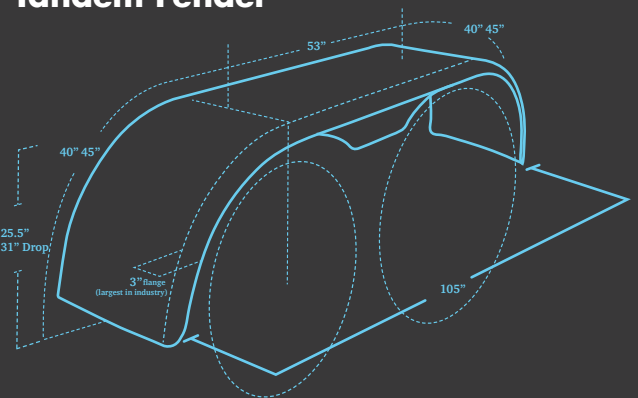
**9556TF**  
Flanged Tandem Fender  
*Low Rider*



**9556T Tear Drop  
Tandem Fender**  
*Low Rider*



**9506TF Flanged Full  
Tandem Fender**



25.5" / 31"  
Drop Available



# Full Tandem Fender Custom Mounting Options

304 Stainless Steel | Perfect Mirror Finish



**9506**



**9556**  
*Low Rider*



**9506T**  
*Tear Drop*



**1406-6A**  
**Support Bracket (pair)**

## HOW TO CUSTOMIZE YOUR RIG

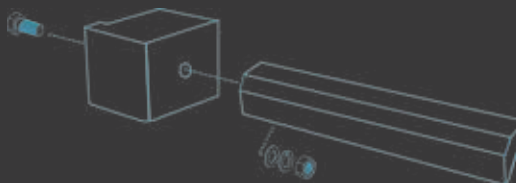
- 1 Choose your fender
- 2 Locate your suspension
- 3 Obtain KIT NUMBER

**9506 PB3**

## Mounting Options

Truck Make	Suspension	RH Front	LH Front	Center Support	RH Rear	LH Rear	Kit Part No.
Peterbilt	Air Leaf (1993+)	1772 <b>1PB</b>	1773 <b>1PB</b>	1406-6A	FM2012	FM2012	[Fender #] <b>PB1</b>
Peterbilt	Flex Air	1772 <b>2PB</b>	1773 <b>2PB</b>	1406-6A	1776	1775	[Fender #] <b>PB2</b>
Peterbilt	Air Trac (22.5 & 24.5 Low Pro Tires)	1772 <b>3PB</b>	1773 <b>3PB</b>	1406-6A	FM2012	FM2012	[Fender #] <b>PB3</b>
Peterbilt	Low Air (2005+, 22.5 & 24.5 Low Pro Tires)	1772 <b>4PB</b>	1773 <b>4PB</b>	1406-6A	FM2012	FM2012	[Fender #] <b>PB4</b>
Peterbilt	Low Air (2005+, 24.5 Tall Tires)	1772 <b>5PB</b>	1773 <b>5PB</b>	1406-6A	FM2012	FM2012	[Fender #] <b>PB5</b>
Peterbilt	Air Trac (22.5 & 24.5 Low Pro Tires)	1772 <b>6PB</b>	1773 <b>6PB</b>	1406-6A	FM2012	FM2012	[Fender #] <b>PB6</b>
Peterbilt	Low Air (Pre 2005)	1772 <b>9PB</b>	1773 <b>9PB</b>	1406-6A	FM2012	FM2012	[Fender #] <b>PB9</b>
Kenworth	Air Ride (AG400)	FM2012	FM2012	1406-6A	FM2012	FM2012	[Fender #] <b>KW9</b>
Kenworth	AG380	1772 <b>2PB</b>	1773 <b>2PB</b>	1406-6A	1776	1775	[Fender #] <b>PB2</b>
Kenworth	AG400L	1772 <b>4PB</b>	1773 <b>4PB</b>	1406-6A	FM2012	FM2012	[Fender #] <b>PB4</b>
Freightliner	Air Liner	1772 <b>FL5</b>	1773 <b>FL5</b>	1406-6A	FM2012	FM2012	[Fender #] <b>FL5</b>
Universal	Post Mount	MQ2012	MQ2012	1406-6A	MQ2012	MQ2012	
Universal	Flush Mount	FM2012	FM2012	1406-6A	FM2012	FM2012	

Bracket Assembly



**Yes, you can order premium replacement parts!**

304 Stainless Steel | Perfect Mirror Finish



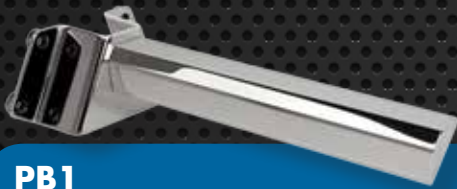
**9556T**  
Tear Drop  
Low Rider



**9506TF**  
Flanged



**9556TF**  
Flanged  
Low Rider



**PB1**



**PB2**



**PB3**



**PB4**



**PB5**



**PB6**



**PB9**



**FL5**



**1775**



**MQ2012**

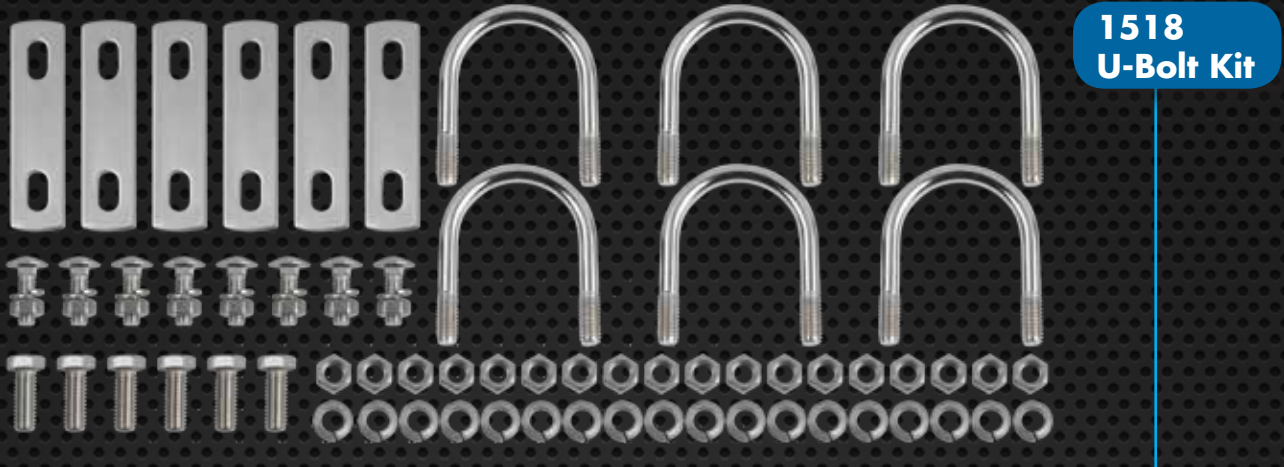


**FM2012**

Universal-  
Flush Mount.  
See page 23.



# Mounting Components



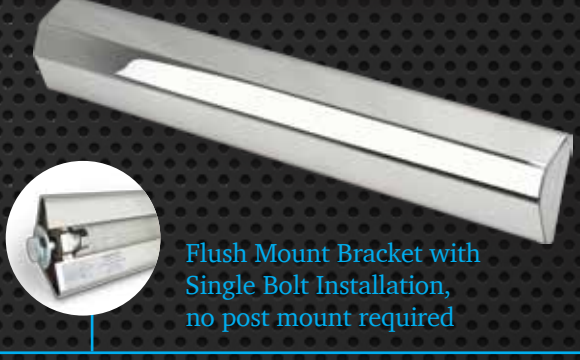
**1518**  
U-Bolt Kit



**1447**  
Single Post Mount



**1538SS**  
Stainless Steel Clamp



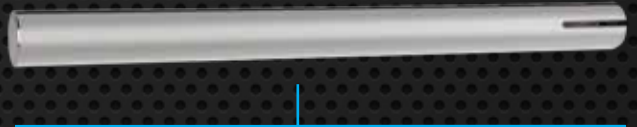
Flush Mount Bracket with  
Single Bolt Installation,  
no post mount required

**FM2012** 304 Stainless Steel 11 Gauge Perfect Mirror Finish Quarter, Half, Full, Single and Trailer Applications

**MV2000** 430 Stainless Steel 14 Gauge Mirror Shine Quarter Fender Applications (M124 - M130)

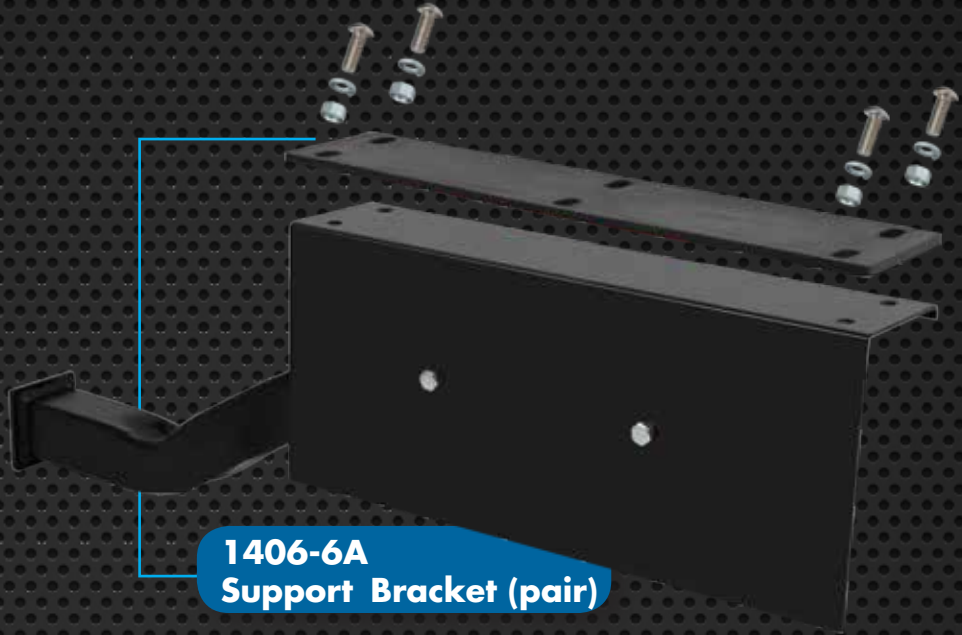
**MQ2000** 304 Stainless Steel 14 Gauge Perfect Mirror Finish Quarter Fender Applications (Q124 - Q130)

**MQ2012** 304 Stainless Steel 12 Gauge Perfect Mirror Finish Single Axle, Half Tandem and Full Tandem Applications. Quarter Fender Applications (M134 & Q134)



**1633** 28 inch arm, 304 Stainless Steel Tube Mirror Finish, Quarter Fender Applications

**F-15  
Vinyl Top Flap**

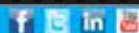


**1406-6A  
Support Bracket (pair)**



**GR530  
Freightliner Classic XL  
(FLD-120)**





The Ultimate Finish for Trucks

800-421-1589

Google Custom Search

Home What's New Products Applications Gallery FAQ About Us Contact Us

Ultimate Low Rider



PRODUCT SEARCH

Product Type [dropdown] Go  
or  
Application [dropdown] Go

FIND A DEALER NEAR YOU

Choose Your State or Province  
Select Your Area [dropdown] SEARCH

JOIN OUR MAILING LIST

Email: [input] Go  
Privacy by SafeSubscribe™

ONLINE CATALOG



View Our Online Catalog

WATCH HOGEBUILT



Visit [Hogebuilt.com](http://Hogebuilt.com) for products, specifications, watch videos, view our gallery and find a dealer near you.



ONLINE HOGEBUILT  
[www.hogebuilt.com](http://www.hogebuilt.com)



CALL HOGEBUILT  
800-421-1589



EMAIL HOGEBUILT  
[sales@hogebuilt.com](mailto:sales@hogebuilt.com)  
[customerservice@hogebuilt.com](mailto:customerservice@hogebuilt.com)



FAX HOGEBUILT  
800-421-1589





## CLAIMS FOR SHORTAGES

- Shortages must be reported to Hogebuilt Customer Service in writing within four (4) working days from the carrier's delivery date. Customer is responsible for checking and reporting any errors at the time of delivery before signing the bill of lading. If no discrepancy is reported within the allotted time, Customer agrees that the BOL/Packing Slip contents were received as shipped.
- Claims for shortages must include the following information:
  - Invoice Number
  - Date of receipt
  - Carrier and PRO number

## CLAIMS FOR DAMAGED MERCHANDISE

- All items are sold FOB Hogebuilt manufacturing plant, Goodlettsville, TN. Ownership of the product is transferred to the customers at the point it leaves our facility. Hogebuilt packaging practices have been developed and standardized to protect product under normal transit conditions. Never-the-less, occasional damage occurs in transit.
- Product received and any signs of damage or distress must be identified on all copies of the receiving paperwork / BOL before the driver leaves your dock. Damage should be documented photographically and the product held "as is" for inspection by the carriers representative before processing further.
- Customer's sole recourse for reimbursement of damaged product cost is through the Carrier's freight claim process.
- Please contact Hogebuilt Customer Service for any required support or to suggest packaging improvements.

## RETURN GOODS POLICY

- Material may be returned to Hogebuilt when a Return Material Authorization (RMA) number has been issued.
- Returns must be received by Hogebuilt within 30 days of receiving RMA number.
- Parts to be returned must have been purchased directly from Hogebuilt within the last 12 months. Proof of purchase is required.
- Parts purchased through a Dealer must be returned to that distributor. This includes drop shipped parts, as well.
- All return documentation should reference the original Hogebuilt invoice number.
- Parts must be in new and re-salable condition and should be in their original packaging.
- Customer is responsible for packaging parts for protection in transit.
- Damaged, rusted, repainted, used, reconditioned, altered or incomplete parts are not eligible for return.
- All material will be shipped freight pre-paid to the address provided on the RMA.
- Parts are subject to a standard 15% re-stocking fee. Additional fees may be assessed pending final inspection.
- Obsolete, custom or proprietary parts are not eligible for return.
- Annual return amount is limited to 5% of the prior year's purchases.

## WARRANTY

- Hogebuilt warrants its parts and products against defects in workmanship and material for a period of one year from the date of purchase. Any claim not submitted within this period shall conclusively be deemed waived by the buyer. Buyer agrees to indemnify Hogebuilt against any claim(s) made by buyer's subsequent customers or assignees of the purchased product.
- Half tandem and full tandem fenders must be installed with Hogebuilt mounting brackets in order for the one year warranty to be valid.
- For warranty claims, please contact Hogebuilt Customer Service at 800-421-1589 or e-mail [customerservice@hogebuilt.com](mailto:customerservice@hogebuilt.com).
- Repair or replacement will be made at Hogebuilt's discretion upon inspection of the goods. No orders are to be returned without expressed consent and direction of Hogebuilt.







# HOGEBUILT

**The Ultimate Finish for Trucks**™<sup>®</sup>

784 Bill Jones Industrial Drive, Suite B | Springfield, TN 37172

Phone: 800-421-1589 | Fax 800-421-1589

sales@hogebuilt.com | customerservice@hogebuilt.com

[www.HOGEBUILT.com](http://www.HOGEBUILT.com)