

An Integrative Perspective on the Role of Dopamine in Schizophrenia

Tiago V. Maia and Michael J. Frank

ABSTRACT

We propose that schizophrenia involves a combination of decreased phasic dopamine responses for relevant stimuli and increased spontaneous phasic dopamine release. Using insights from computational reinforcement-learning models and basic-science studies of the dopamine system, we show that each of these two disturbances contributes to a specific symptom domain and explains a large set of experimental findings associated with that domain. Reduced phasic responses for relevant stimuli help to explain negative symptoms and provide a unified explanation for the following experimental findings in schizophrenia, most of which have been shown to correlate with negative symptoms: reduced learning from rewards; blunted activation of the ventral striatum, midbrain, and other limbic regions for rewards and positive prediction errors; blunted activation of the ventral striatum during reward anticipation; blunted autonomic responding for relevant stimuli; blunted neural activation for aversive outcomes and aversive prediction errors; reduced willingness to expend effort for rewards; and psychomotor slowing. Increased spontaneous phasic dopamine release helps to explain positive symptoms and provides a unified explanation for the following experimental findings in schizophrenia, most of which have been shown to correlate with positive symptoms: aberrant learning for neutral cues (assessed with behavioral and autonomic responses), and aberrant, increased activation of the ventral striatum, midbrain, and other limbic regions for neutral cues, neutral outcomes, and neutral prediction errors. Taken together, then, these two disturbances explain many findings in schizophrenia. We review evidence supporting their co-occurrence and consider their differential implications for the treatment of positive and negative symptoms.

Keywords: Computational psychiatry, Dopamine, Negative symptoms, Prediction error, Psychosis, Reinforcement learning, Schizophrenia

<http://dx.doi.org/10.1016/j.biopsych.2016.05.021>

Studies using positron emission tomography (PET) and single-photon emission computed tomography (SPECT) have shown that presynaptic striatal dopamine function is increased in schizophrenia and correlates with positive symptoms (1). Specifically, schizophrenia involves increased dopamine synthesis in the striatum (1–3), even in medication-naïve prodromal patients (4). Furthermore, patients at ultra-high risk of psychosis who later transition to psychosis have greater dopamine synthesis than those who do not (5) and show an increase in dopamine synthesis from the prodromal stage to psychosis (6). Amphetamine-induced dopamine release is also increased in schizophrenia (1), including in medication-naïve patients (7), and correlates with the extent to which amphetamine worsens positive symptoms (7). Baseline dopamine levels are also increased in schizophrenia (1). These abnormalities are localized predominantly in the associative striatum (4,8–10).

Dopamine neurons fire tonically and phasically, leading, in the striatum, to tonic dopamine concentrations and spikes in those concentrations called transients, respectively (11,12). PET and SPECT's poor temporal resolution implies that they measure tonic dopamine or the occurrence of transients over sustained periods.

Amphetamine increases *spontaneous* dopamine transients—transients that are not time-locked to identified stimuli or events—in the striatum (Figure 1A, B) (11,13). Furthermore, whereas at moderate doses, amphetamine increases appropriate (*adaptive*) striatal dopamine transients to a reward-predicting cue, at high doses, it blunts these adaptive transients (Figure 1C) and disrupts the appropriate behavioral responses—while still increasing spontaneous transients (Figure 1D) (13). Amphetamine also increases tonic striatal dopamine, but that effect is small and short lived (13).

Excessive amphetamine-induced striatal dopamine release in schizophrenia therefore likely reflects increased spontaneous transients or possibly increased tonic dopamine; it seems less likely to reflect adaptive stimulus-driven transients because these studies take place at rest, without rewards or reward-predicting cues. Increased spontaneous transients and increased tonic dopamine would each also explain all of the other PET and SPECT findings. Increased spontaneous transients in schizophrenia may reflect inappropriate, “chaotic” phasic firing of dopamine neurons (14–16).

The findings concerning amphetamine's effects on striatal dopamine may be directly relevant to understand psychosis.

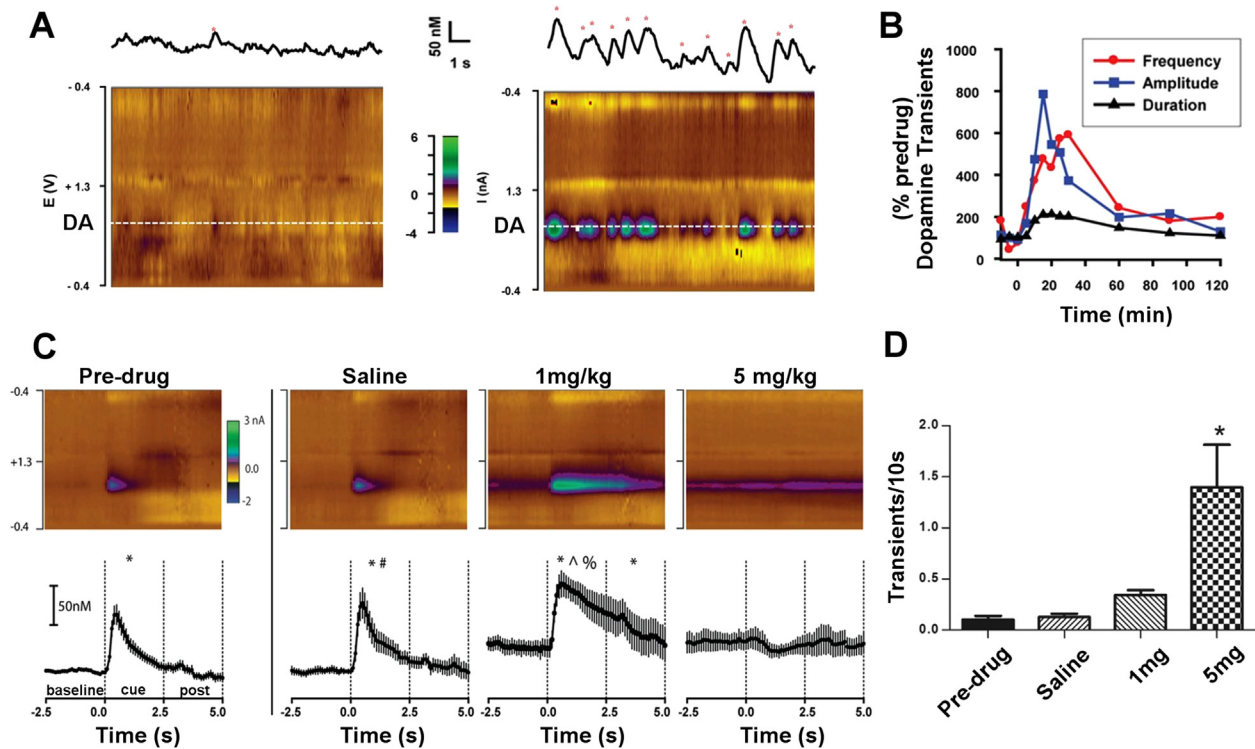


Figure 1. Amphetamine, at high doses, increases spontaneous dopamine (DA) transients while simultaneously blunting adaptive transients for relevant stimuli, as measured by fast-scan cyclic voltammetry in the striatum. **(A)** A high dose of amphetamine (right) markedly increases the number of spontaneous transients (red asterisks) relative to the unmedicated state (left). **(B)** A high dose of amphetamine markedly increases the frequency, amplitude, and duration of spontaneous transients. Values indicated are as percent increases over the predrug state. **(C)** A reward-predicting cue (presented at time 0) elicits a cue-locked transient in the unmedicated state and under saline (left two panels). A moderate dose of amphetamine increases this transient (third panel), but a large dose of amphetamine virtually abolishes it (right panel). **(D)** Even though a high dose of amphetamine virtually abolishes the adaptive transient for the reward-predicting cue, it markedly increases spontaneous transients in the same task (measured in the 10 seconds before cue presentation). Adapted, with permission, from Daberkow *et al.* (13).

Amphetamine and other psychostimulants can cause or exacerbate psychosis (17,18); at high doses, all psychostimulants increase spontaneous dopamine transients in the striatum (11). This article will demonstrate that the idea that schizophrenia may similarly involve increased spontaneous transients in the striatum (or, less likely, increased striatal tonic dopamine) explains many laboratory findings that correlate with positive symptoms and may help explain positive symptoms themselves. In addition, the idea that schizophrenia also involves decreased adaptive transients in the striatum for relevant stimuli explains many laboratory findings that correlate with negative symptoms and may help explain negative symptoms themselves. The plausibility of the coexistence of these two disturbances in schizophrenia is supported by their coexistence under high doses of amphetamine (13), which are psychotogenic.

These dopaminergic disturbances might be caused by multiple etiopathogenetic mechanisms, including mechanisms affecting other neurotransmitter systems. For example, ketamine, a psychotogenic *N*-methyl-D-aspartate (NMDA) antagonist (19), produces disturbances in striatal dopamine similar to those observed in schizophrenia, including increased amphetamine-induced striatal dopamine release and increased striatal dopamine (although the latter has not always been replicated) (20). Thus, NMDA hypofunction in schizophrenia

(21) could cause psychosis at least partly through effects on dopamine (22). In fact, ketamine and phencyclidine, another psychotogenic NMDA antagonist, increase spontaneous firing and bursting in dopamine neurons (23,24), so they may increase spontaneous transients. Causal interactions between NMDA dysfunction and dopaminergic dysfunction may be bidirectional (25); for example, dopaminergic dysfunction likely affects NMDA-based synaptic plasticity, which may play a role in schizophrenia (26).

COMPUTATIONAL ROLES OF DOPAMINE

Striatal medium spiny neurons (MSNs) containing D_1 receptors are part of the direct (Go) pathway, which facilitates (gates) the most appropriate actions; striatal MSNs containing D_2 receptors are part of the indirect (NoGo) pathway, which suppresses inappropriate actions (27–29). Computationally, Go and NoGo pathways likely reflect the positive and negative values of actions, respectively, with actions being selected as a function of the difference between these two values (Box 1; Figure 2) (30). Actions to be selected may therefore elicit activity in both their Go and NoGo striatal representations (31).

Go and NoGo values are learned on the basis of phasic changes in dopamine-neuron firing (Figures 2A and 3A–C).

Box 1. A Computational Account of the Role of Dopamine in Learning and Performance

The opponent-actor-learning (OpAL) computational model provides an integrated account of the distinct roles of dopamine in learning and performance/motivation (30). OpAL is a generalization of the standard actor-critic model (32) that captures two important aspects of the neurobiology of the basal ganglia: the existence of separate direct (Go) and indirect (NoGo) pathways, and the influences of dopamine during learning and performance on each of these pathways (Figures 2 and 3). OpAL is an abstract version of a more detailed neurocomputational model that incorporates these aspects of basal ganglia structure and function (27).

OpAL, like the actor-critic, includes a critic that learns the values of states, $V(s)$, using the standard temporal-difference-learning equation:

$$V(s) \leftarrow V(s) + \alpha_c \delta, \tag{1}$$

where α_c is the critic's learning rate and δ is a prediction error (PE), given by:

$$\delta = r + V(s') - V(s), \tag{2}$$

where r is the actual reinforcement received, and $V(s')$ is the value of the new state (32).

In the actor-critic, there is a single actor that learns the preferences for actions in given states (32). OpAL, however, includes two opponent actors to model the separate Go and NoGo pathways (Figure 2). Learning in these pathways is characterized by the following equations, respectively:

$$G(s, a) \leftarrow G(s, a) + \alpha_G G(s, a) \delta, \tag{3}$$

and

$$N(s, a) \leftarrow N(s, a) + \alpha_N N(s, a) [-\delta], \tag{4}$$

where $G(s,a)$ and $N(s,a)$ represent the Go and NoGo values for action a in state s , and α_G and α_N are the learning rates for each pathway.

The symmetric effects of δ on G and N capture the fact that phasic-dopamine increases induce long-term potentiation and long-term depression in the direct and indirect pathways, respectively, whereas phasic-dopamine decreases may have the opposite effects (Figures 2A and 3A–C) (29,38).

For simplicity, the previous equations use a single value for δ . However, positive and negative values of δ , which we represent by δ^+ and δ^- , are signaled by phasic dopamine-neuron bursts and pauses, respectively (32), and these may be differentially disrupted in a given disorder. For example, low levels of dopamine, as in unmedicated Parkinson's disease, might lead to low δ^+ but unimpaired or even exaggerated δ^- , thereby explaining why unmedicated Parkinson's patients have impaired Go learning but preserved or improved NoGo learning (28). The impaired Go learning and blunted signaling of positive PEs found in schizophrenia may similarly reflect low adaptive δ^+ (see text).

Actions are selected in OpAL using a softmax function, as in the actor-critic (32), but allowing the gain of each pathway to be modulated independently:

$$p(a|s) = \frac{e^{\beta_G G(s,a) - \beta_N N(s,a)}}{\sum_i e^{\beta_G G(s,i) - \beta_N N(s,i)}}, \tag{5}$$

where $p(a|s)$ is the probability of selecting action a in state s , β_G and β_N are parameters that determine the extent to which the Go and NoGo pathway, respectively, influence choice, and the sum is over all available actions in state s (see also Figure 2B).

Dopamine during choice is assumed to increase β_G and decrease β_N because dopamine increases the excitability of Go MSNs through its action on D_1 receptors and decreases the excitability of NoGo MSNs through its action on D_2 receptors (Figures 2A and 3D) (29). Thus, for example, low levels of dopamine, as in unmedicated Parkinson's disease, would lead to low β_G and high β_N , thereby causing learned NoGo values to be weighted more strongly than learned Go values, which in turn produces a tendency for inaction. A simple mathematical formulation of these effects of dopamine during choice on β_G and β_N is to make

$$\beta_G = \beta(1 + \rho) \tag{6}$$

and

$$\beta_N = \beta(1 - \rho) \tag{7}$$

where β is a constant, and ρ , which can vary between -1 and 1 , represents the amount of dopamine present during choice (30).

In the original OpAL model, ρ was assumed to represent dopamine levels during choice, and these levels were manipulated to simulate changes in tonic dopamine induced by pharmacological manipulations (30). However, phasic-dopamine responses (elicited, for example, by reward-predicting cues) also invigorate action and influence choice (61,103,119), as does optogenetic stimulation of dopamine neurons using parameters that elicit naturalistic-like phasic responses (36). These findings are perhaps unsurprising given that, from the perspective of striatal D_1 and D_2 receptors, what likely matters, at least as a first approximation, is the overall amount of dopamine impinging on them. A better model is therefore that ρ represents the total amount of dopamine during choice, which depends both on tonic levels of dopamine, τ , and on any PEs, δ , elicited by cues present during, or shortly before, choice:

$$\rho = \tau + \delta. \tag{8}$$

Combining Equations 5–8 gives the following choice equation:

$$p(a|s) = \frac{e^{\beta(1 + \tau + \delta)G(s,a) - \beta(1 - \tau - \delta)N(s,a)}}{\sum_i e^{\beta(1 + \tau + \delta)G(s,i) - \beta(1 - \tau - \delta)N(s,i)}}. \tag{9}$$

In short, phasic dopamine following choice or state transitions affects the learning of state values (Equation 1) and of Go and NoGo state-action values (Equations 3 and 4, respectively; Figures 2A and 3A–C). Tonic and phasic dopamine during choice, in contrast, affect the amplification of Go versus NoGo values (Equation 9; Figures 2A and 3D), thereby affecting performance.

The phasic firing of a sizeable proportion of dopamine neurons signals positive prediction errors (PEs), which occur when outcomes are better than expected (32–34). These signals cause long-term potentiation in the Go pathway and long-term depression in the NoGo pathway (29), increasing and decreasing Go and NoGo values, respectively (Figures 2A and 3A, B). Thus, actions that are followed by positive PEs become more

likely to be selected again. Indeed, optogenetically induced phasic firing of dopamine neurons (35,36) or of D_1 MSNs (37) causes appetitive conditioning. Phasic pauses in firing, in contrast, signal negative PEs (32), which occur when outcomes are worse than expected. Reduced dopamine causes long-term depression in the Go pathway and long-term potentiation in the NoGo pathway (29,38,39); dopamine dips

caused by phasic pauses may have similar effects (Figures 2A and 3C), making the preceding action less likely to be selected. Indeed, optogenetic inhibition of dopamine neurons (36,40) or excitation of D_2 MSNs (37) causes aversive learning. These ideas have been formalized in biologically detailed (27) and more abstract models (Box 1; Figures 2 and 3A–C) (30).

In addition to the effects of phasic dopamine changes after choice, which support learning, dopamine has strong effects during choice, affecting performance. Specifically, dopamine increases the excitability of Go MSNs and decreases the excitability of NoGo MSNs (29), thereby increasing the gain of Go (positive) and decreasing the gain of NoGo (negative) values, respectively (Box 1; Figures 2A and 3D) (27,30). Pharmacological studies confirm that dopamine affects both performance and learning (30,39,41,42). Dopaminergic manipulations during choice, in ways that could not have affected learning, show that increasing dopamine increases the weighting of positive relative to negative values, confirming an effect on performance (43,44). Dopaminergic manipulations during learning modulate PE signaling (45–48), in ways that are predictive of subsequent choice (45–47), confirming an effect on learning. Consistent with these dual effects, optogenetic stimulation and inhibition of dopamine neurons cause appetitive and aversive learning, respectively, if done at outcome, but increase and decrease approach behavior, respectively, if done during choice (36).

These basal ganglia learning and selection mechanisms also apply to cognitive “actions.” For example, Go signals cause working-memory updating, whereas NoGo signals prevent such updating, protecting current representations (49). Indeed, dopamine manipulations have similar effects on the ability to gate relevant stimuli into working memory versus ignoring distractors as they do on learning from positive versus negative outcomes, respectively (50).

ABERRANT LEARNING FOR IRRELEVANT STIMULI IN SCHIZOPHRENIA

Findings

Behaviorally and autonomically, schizophrenia patients, compared to controls, respond less to relevant cues (i.e., cues that predict reinforcement) and more to neutral cues, although they respond more to relevant than to neutral cues (51–54). In a task in which one cue feature predicts reward and another does not, psychotic (or psychotic-like) symptoms correlate with an increased tendency to consider the irrelevant feature also predictive of reward in unmedicated participants at ultra-high risk for psychosis (55), medicated schizophrenia patients (56), and Parkinson’s patients given D_2 agonists (57). Reaction-time measures also show inappropriate, increased learning for the irrelevant feature in schizophrenia patients (58). Medicated patients further show a decreased tendency to learn about the feature that does predict reward, both in explicit reports and in reaction times (56).

The neural findings in these studies similarly show that relative to controls, patients activate the midbrain, ventral striatum (VS), and other limbic regions more for neutral cues and outcomes and less for relevant cues and outcomes

(51–54). Increased midbrain activation to a neutral relative to a relevant cue correlated with delusions in one study (52).

Relation to Dopamine Function

In short, schizophrenia is associated with (a) increased behavioral, autonomic, and neural responding for neutral stimuli, which correlates with positive symptoms, and (b) decreased responding for relevant stimuli. Increased responding for neutral stimuli can be explained by increased spontaneous transients, which would cause aberrant learning for those stimuli (Figure 4), or by increased tonic dopamine, which could increase overall gain (59), thereby causing a general tendency for increased responding. Decreased responding for relevant stimuli can be explained by blunted adaptive transients, which would cause impaired learning for those stimuli.

REINFORCEMENT LEARNING IN SCHIZOPHRENIA

Schizophrenia patients show preserved hedonic responses (60), which is not surprising from a dopaminergic perspective, as dopamine is not involved in hedonics (61).

Disturbances in Reinforcement Learning and PE Signaling

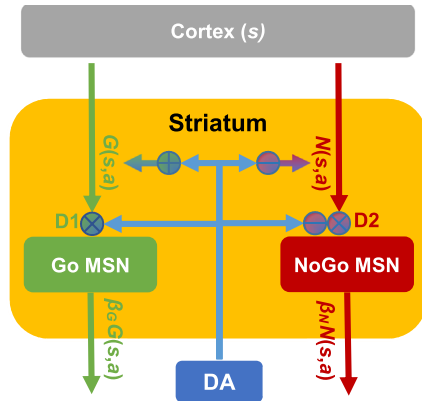
Impaired Go Learning and Blunted PE Signaling in Medicated Patients. Medicated schizophrenia patients exhibit impaired Go learning but preserved NoGo learning (62–66). Further supporting an impairment in Go learning, medicated patients fail to learn to speed up for cues for which faster responses give greater rewards (56,63,67). The impairment in Go learning correlates with negative symptoms (62,63,66), which seems intuitive: impaired learning from rewards with preserved learning from punishments could produce avolition (60). Consistent with the impairment in Go learning, medicated patients show blunted neural responses for positive PEs in the striatum, midbrain, and other limbic regions (53,60,68,69), which correlate with negative symptoms (60,68).

Consistent with spared NoGo learning, medicated patients show normal activity for negative PEs induced by reward omission (68) and, in extrastriatal areas, even show increased activation for losses (70). However, medicated patients show reduced aversive Pavlovian conditioning (51,52) and blunted activity for PEs elicited by aversive stimuli (52)—findings that may reflect the possible involvement in aversive conditioning of phasic responses in a subset of dopamine neurons (71–73).

Impaired Go Learning and Blunted PE Signaling Induced by Antipsychotics. In short, medicated patients have impaired Go learning, blunted neural activation for reward PEs, reduced aversive conditioning, and blunted neural activation for aversive PEs. Whether these effects are related to schizophrenia or to antipsychotics is unclear, however, because antipsychotics produce all of these effects (41,46–48, 74–76).

As noted previously, reinforcement-learning disturbances in medicated patients correlate with negative symptoms. Antipsychotics cause effects akin to negative symptoms (14,77,78), so they could be a common cause of reinforcement-learning

A. Effects of dopamine on the striatum



B. Selection in the basal ganglia

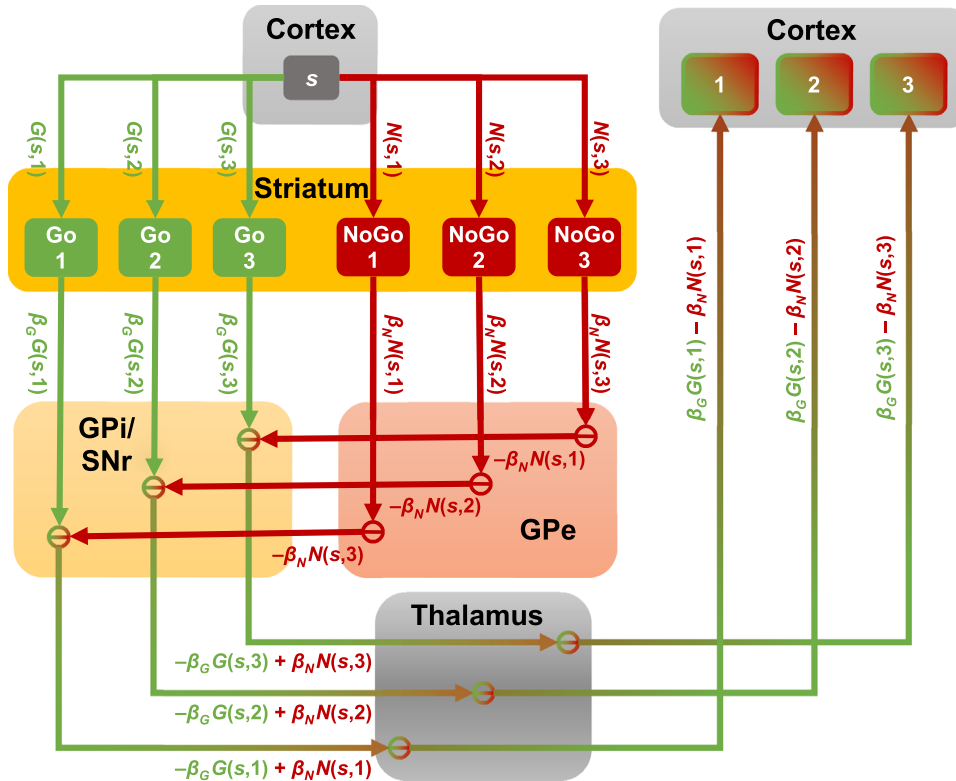


Figure 2. Effects of dopamine in the striatum, and mechanisms of action selection in the basal ganglia. **(A)** Effects of dopamine (DA) on plasticity and excitability (gain) of striatal medium spiny neurons (MSNs) of the direct (Go) and indirect (NoGo) basal ganglia pathways. The current state or stimulus, s , is represented in cortex. Corticostriatal synapses onto D_1 -containing MSNs represent the positive value of learned associations between states or stimuli s and actions a [$G(s,a)$; Box 1]; corticostriatal synapses onto D_2 -containing MSNs represent the negative value of learned associations between states or stimuli and actions [$N(s,a)$; Box 1]. Phasic dopamine bursts following an action strengthen corticostriatal synapses to Go MSNs through D_1 -mediated long-term potentiation and weaken corticostriatal projections to NoGo MSNs through D_2 -mediated long-term depression (indicated by the circles with a plus and a minus sign, respectively) (Equations 3–4 in Box 1; Figure 3A, B). Phasic dopamine dips following an action may have the opposite effects (Figure 3C). Dopamine during choice amplifies the gain of Go MSNs (β_G) by increasing their excitability through D_1 receptors and reduces the gain of NoGo MSNs (β_N) by decreasing their excitability through D_2 receptors (indicated respectively by the circle with a multiplication sign and the tandem circles with a minus sign and a multiplication sign) (Equations 6–9 in Box 1; Figure 3D). The output of Go MSNs reflects learned Go values [$G(s,a)$], modulated by the gain of the Go pathway (β_G), which can be represented mathematically as $\beta_G \times G(s,a)$. Similarly, the output of NoGo MSNs reflects learned NoGo values [$N(s,a)$], modulated by the gain of the NoGo pathway (β_N), which can be represented mathematically as $\beta_N \times N(s,a)$. **(B)** Action-selection mechanisms in the basal ganglia. Go and NoGo values [$G(s,a)$ and $N(s,a)$, respectively] are specific for each state-action [(s,a)] pair. Illustrated are three possible actions (labeled 1, 2, and 3) for a given state s . Each action has its own $G(s,a)$ and $N(s,a)$ values, which are determined by the strength of

the corticostriatal synapses from the cortical representation of state s to Go and NoGo MSNs, respectively, for that state-action pair [(s,a)]. The output of Go and NoGo MSNs is determined by these learned values [$G(s,a)$ and $N(s,a)$, respectively] modulated by the gain of the respective pathway (β_G and β_N , respectively), yielding the same products as in panel (A) [$\beta_G \times G(s,a)$ and $\beta_N \times N(s,a)$, respectively]. The projections from all basal ganglia nuclei—striatum, globus pallidus external segment (GPe), globus pallidus internal segment (GPi), and substantia nigra pars reticulata (SNr)—are inhibitory. In simplified terms, if the projection neurons in an area receive afferent inhibitory projections, that area can be seen as flipping the sign of the information in those afferent projections. This process is represented in the graph by circles with a minus sign inside. Under this simplified conceptualization, the GPe can be seen as flipping the sign of $\beta_N \times N(s,a)$, yielding $-\beta_N \times N(s,a)$. The GPi then combines (sums) its two incoming inputs [$\beta_G \times G(s,a)$ and $-\beta_N \times N(s,a)$], but since its incoming projections are inhibitory, it flips the sign of those inputs, yielding $-\beta_G \times G(s,a) + \beta_N \times N(s,a)$. Finally, given that the projections from the GPi to the thalamus are also inhibitory, the thalamus flips the sign again, yielding $\beta_G \times G(s,a) - \beta_N \times N(s,a)$. The cortex therefore receives information about the difference $\beta_G \times G(s,a) - \beta_N \times N(s,a)$ for each action a available in the current state s . (Note that these differences are the values of the exponents in Equation 5 in Box 1.) Lateral inhibition in cortex then implements a competitive dynamics that performs action selection using these differences (approximated in Equation 5 in Box 1 using a softmax). In short, the best action in a given state s is determined on the basis of the differences $\beta_G \times G(s,a) - \beta_N \times N(s,a)$ for all actions a available in s (Equations 5 and 9 in Box 1). This account is, of course, greatly simplified—for example, it does not take into account the full complexity of the basal-ganglia anatomy, it assumes that competition via lateral inhibition occurs only in cortex, and it assumes that all processing other than the competition approximated by the softmax is linear. It has the advantage, however, of clearly linking each structure and processing step in the basal ganglia to a simple, well-defined mathematical operation, and of showing how all of those operations work together to implement a sensible action-selection algorithm (Box 1).

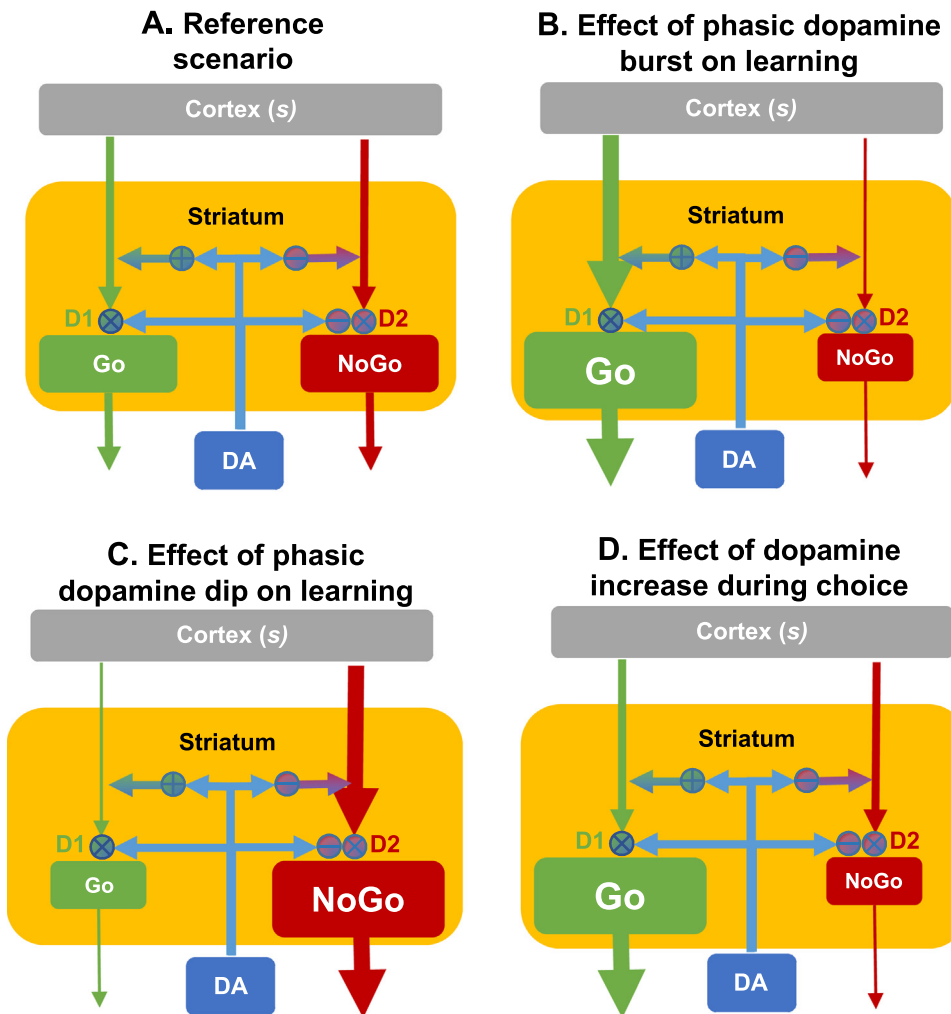


Figure 3. Effects of dopamine (DA) on plasticity and excitability (gain) of striatal direct (Go) and indirect (NoGo) medium spiny neurons (MSNs). **(A)** Reference scenario against which the figures in the remaining panels should be compared. In this scenario, we assume that the Go and NoGo corticostriatal synapses $[G(s,a)]$ and $[N(s,a)]$, respectively for the state-action pair under scrutiny have the same initial weights. **(B)** If the person (or animal) executes action a in state s , and that is followed by a phasic dopamine burst (corresponding to a positive prediction error; Box 1), the Go weight for that state-action pair $[G(s,a)]$ is increased, and the NoGo weight for that state-action pair $[N(s,a)]$ is decreased [compare the thickness of the arrows depicting the corticostriatal synapses with each other and with those in panel (A)] (Equations 3 and 4 in Box 1; Figure 2A). Thus, the next time the person (or animal) is in state s , it will have a greater tendency to choose that action [compare the size of the Go and NoGo MSNs, which are intended to depict activation levels, with each other and with those in panel (A), or compare the size of the arrows departing from Go and NoGo MSNs, which convey the same information]. **(C)** If the person (or animal) executes action a in state s , and that is followed by a phasic dopamine dip (corresponding to a negative prediction error), the Go weight for that state-action pair $[G(s,a)]$ is decreased, and the NoGo weight for that state-action pair $[N(s,a)]$ is increased [compare the thickness of the arrows depicting the corticostriatal synapses with each other and with those in panel (A)]. **(D)** If dopamine during choice is increased, either because tonic dopamine is increased or because the cues presented themselves elicit a dopamine burst (positive prediction error), the activity of Go MSNs is increased, and the activity of NoGo MSNs is decreased [compare the size of Go and NoGo MSNs (or of the arrows that depart from them) with each other and with those in panel (A)], resulting in greater weighting of positive relative to negative values and therefore a greater tendency to select the action (Equations 6–9 in Box 1; Figure 2A). This effect is due to gain modulation of corticostriatal synapses rather than to changes in their strength [note that the arrows depicting the weights of corticostriatal synapses are unchanged relative to panel (A)]. Thus, this effect during choice is separate from the effects on learning. However, the two effects interact because the gain modulation acts on the learned synaptic weights (Equations 5 and 9 in Box 1; Figure 2A).

panel (A)] (Equations 3 and 4 in Box 1; Figure 2A). Thus, the next time the person (or animal) is in state s , it will have less tendency to choose that action [compare the size of the Go and NoGo MSNs (or of the arrows that depart from them) with each other and with those in panel (A)]. **(D)** If dopamine during choice is increased, either because tonic dopamine is increased or because the cues presented themselves elicit a dopamine burst (positive prediction error), the activity of Go MSNs is increased, and the activity of NoGo MSNs is decreased [compare the size of Go and NoGo MSNs (or of the arrows that depart from them) with each other and with those in panel (A)], resulting in greater weighting of positive relative to negative values and therefore a greater tendency to select the action (Equations 6–9 in Box 1; Figure 2A). This effect is due to gain modulation of corticostriatal synapses rather than to changes in their strength [note that the arrows depicting the weights of corticostriatal synapses are unchanged relative to panel (A)]. Thus, this effect during choice is separate from the effects on learning. However, the two effects interact because the gain modulation acts on the learned synaptic weights (Equations 5 and 9 in Box 1; Figure 2A).

disturbances and some forms of negative symptoms in medicated patients; this would help to explain the correlation between these two disturbances. Of course, not all negative symptoms are caused by antipsychotics: negative symptoms have been recognized since before antipsychotics existed (79). In fact, antipsychotics modestly improve negative symptoms (80), but that improvement seems to be in secondary negative symptoms, so it may result from improvements in positive symptoms (81).

Impaired Go Learning and Blunted PE Signaling in Unmedicated Patients. Studies in unmedicated patients provide some evidence for impaired Go learning—specifically,

reduced learning from rewards (82) and reduced speeding up for cues for which faster responses give greater rewards (67)—and for blunted VS and midbrain activity for PEs (53,82). However, the number of studies is too small to support robust conclusions.

Other evidence also suggests that these deficits may relate to schizophrenia rather than just to antipsychotics. In controls, methamphetamine, at psychotogenic doses, impairs learning from rewards and blunts VS PE signaling (83). Also in controls, increased dopamine synthesis in the VS is associated with blunted VS PE signaling (84) and with aberrant learning for neutral stimuli, with blunted VS PE signaling correlating with aberrant learning (85). These findings suggest a possible

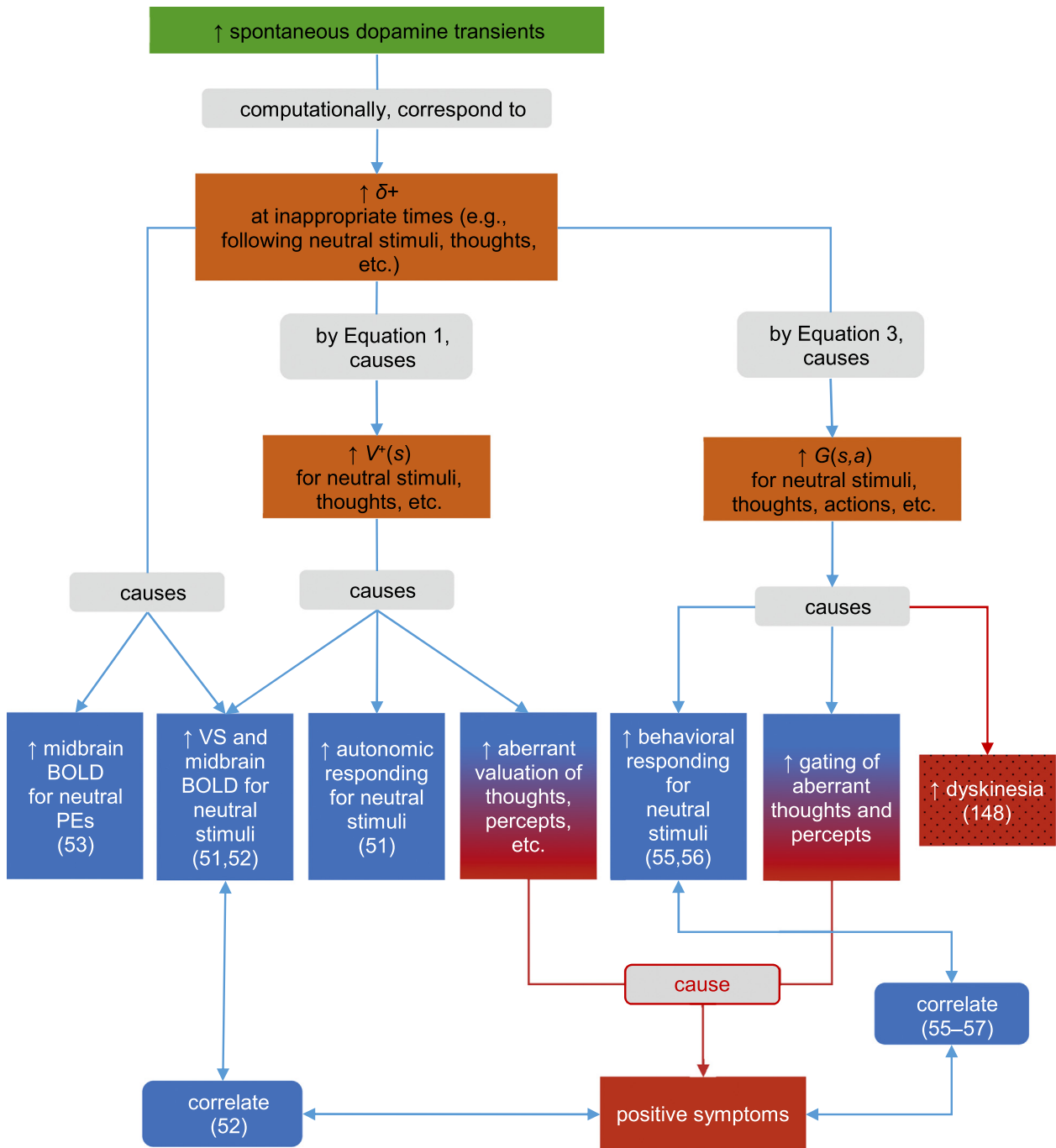


Figure 4. Increased spontaneous dopamine transients in the striatum explain several neural and behavioral laboratory findings in schizophrenia that correlate with positive symptoms and help to explain positive symptoms themselves. Increased spontaneous dopamine transients (green) have specific effects on computational variables (orange-brown) that, in turn, cause specific neural and behavioral disturbances that have been found in the laboratory in schizophrenia (blue, with numbers in parenthesis referring to relevant citations). In real life, the same alterations in the computational variables may cause specific neurocognitive disturbances (blue-red gradient) that, in turn, cause positive symptoms (red). The same computational alterations can also explain dyskinesia associated with schizophrenia (dotted red). In more detail, increased spontaneous dopamine transients that follow neutral stimuli function as positive prediction errors (PEs) for those stimuli, causing increased midbrain activity for “neutral PEs,” as has been observed in schizophrenia (53). According to Equation 1 (Box 1), these inappropriate positive PEs cause increased, inappropriate value learning for neutral stimuli, which in turn causes increased activation of value regions, such as the ventral striatum (VS), for neutral stimuli, as has been observed in schizophrenia (51,52). This activation, particularly for the midbrain (52), may also reflect the increased PEs that occur when the stimulus is presented. The inappropriate value learning for neutral stimuli may also cause increased autonomic activation for those stimuli, as has also been observed in schizophrenia (51). In real life, the inappropriate value learning may lead to aberrant valuation of stimuli, thoughts, percepts, etc., possibly contributing to positive symptoms. In addition, according to Equation 3 (Box 1), the

association between increased VS synthesis, blunted VS PE signaling, and aberrant learning, all of which are found in schizophrenia.

Relation to Dopamine Function. Increasing dopamine generally improves Go and impairs NoGo learning or performance (28,30). The findings of impaired Go learning and blunted reward PE signaling in unmedicated patients therefore seem difficult to reconcile with a simple striatal hyperdopaminergia hypothesis. Reduced adaptive dopamine transients for relevant cues and outcomes, however, would explain all of the findings reviewed previously: impaired Go learning and aversive conditioning, and blunted activation for positive and aversive PEs (Figure 5).

Blunted VS Activation During Reward Anticipation

Findings. VS activation during reward anticipation is blunted in drug-naïve patients, unmedicated patients, patients on first-generation antipsychotics, unaffected patient siblings, and healthy controls high on psychotic-like symptoms (86–94). Reduced VS activation correlates with increased negative symptoms, even in unmedicated patients (86–88,93,94).

Relation to Dopamine Function. VS activation during reward anticipation relates positively to VS dopamine (95–97), so blunted VS activation is difficult to reconcile with a simple striatal hyperdopaminergia hypothesis. Reduced PE signaling (i.e., reduced adaptive dopamine transients), however, explains straightforwardly the blunted VS activation during reward anticipation, through two mechanisms (Figure 5). First, given that PEs also occur upon presentation of reward-predicting cues (32), reduced PE signaling would directly cause blunted VS activation upon cue presentation. Second, reduced PEs would cause reduced value signals (Equation 1 in Box 1); given that the VS likely represents value (32), the reduced value signals would produce blunted VS activation during reward anticipation. Interestingly, amphetamine administered to healthy participants also reduces VS activation during reward anticipation (98) [but see O'Daly *et al.* (99)] and blunts PE signaling and value representations (83).

Reduced Willingness to Expend Effort for Rewards

Findings. In tasks that assess willingness to exert efforts for rewards, medicated schizophrenia patients choose high-effort options less often than controls do, specifically in high-reward conditions, to an extent that correlates with negative symptoms (100). Antipsychotics decrease high-effort choices (101), so whether these findings are attributable to medication remains unclear. One study, however, found the same effects in a small subsample of unmedicated patients (102).

Relation to Dopamine Function. Reduced adaptive transients would explain patients' reduced tendency to choose high-effort options for high rewards (Figure 5). Phasic dopamine release upon presentation of cues that indicate high reward availability amplifies striatal Go relative to NoGo values (Equation 9 in Box 1; Figures 2A and 3D), invigorating behavior and emphasizing benefits over costs (30). Blunted cue-evoked dopamine transients would produce less amplification of Go relative to NoGo values and therefore less tendency to choose high-effort options. This effect would be especially noticeable with high rewards, as is indeed reported in schizophrenia (100), because high rewards would cause substantial invigoration in controls but not in patients.

DELUSIONS AND HALLUCINATIONS: ABERRANT GATING OF THOUGHTS AND PERCEPTS

How can increases in striatal spontaneous dopamine transients or tonic dopamine cause psychosis? One hypothesis suggests that inappropriately timed dopaminergic signals assign aberrant incentive salience (61) to external and internal stimuli and events (14). The equivalent idea under our computational conceptualization is that spontaneous dopamine transients assign aberrant value to irrelevant stimuli, events, thoughts, percepts, and other external and internal experiences (Figure 4). Value and incentive salience, however, depend mostly on dopamine in the limbic, not associative, striatum (97,103). Go/NoGo gating in the cognitive domain provides a mechanism linking dopamine specifically in the associative striatum to delusions and hallucinations (Figure 4). Concretely, high tonic dopamine could cause Go gating of aberrant thoughts and percepts; alternatively, or additionally, spontaneous dopamine transients could reinforce aberrant gating. Furthermore, the high frequency of spontaneous transients could mean that the more an aberrant thought or percept is gated, the more it is reinforced, thereby crystallizing delusions and hallucinations.

Some preliminary evidence supports this gating hypothesis. Specifically, dopamine infusion into the caudatoputamen activates auditory cortex, via striato-pallido-thalamo-cortical projections, thereby demonstrating how excessive striatal dopamine could cause auditory hallucinations (104,105). Furthermore, coinfusion of a D₂ antagonist prevents the dopamine-induced activation of auditory cortex (104).

INCREASED SPONTANEOUS DOPAMINE TRANSIENTS VERSUS INCREASED TONIC DOPAMINE

Thus far in the article, increased spontaneous dopamine transients and increased tonic dopamine explained the same findings, making it difficult to adjudicate between them. Tonic dopamine and spontaneous transients may both be increased

← inappropriate positive PEs cause inappropriate direct-pathway (Go) learning for neutral stimuli-action pairs, leading to inappropriate behavioral responding to neutral stimuli, as has also been observed in schizophrenia (55,56). When applied to the cognitive domain, this inappropriate Go learning may lead to learned gating of aberrant thoughts and percepts, possibly contributing to positive symptoms. When applied to the motor domain, this inappropriate Go learning may lead to dyskinesia, which is associated with schizophrenia even in antipsychotic-naïve patients (148). The fact that increased spontaneous dopamine transients may be the common cause of all of the depicted laboratory-based deficits (blue boxes) and also contribute to positive symptoms (red box) explains the correlations between these laboratory deficits and positive symptoms (52,55–57). Gray boxes identify relations between concepts. † means increased; ‡ means decreased. BOLD, blood oxygen level-dependent.

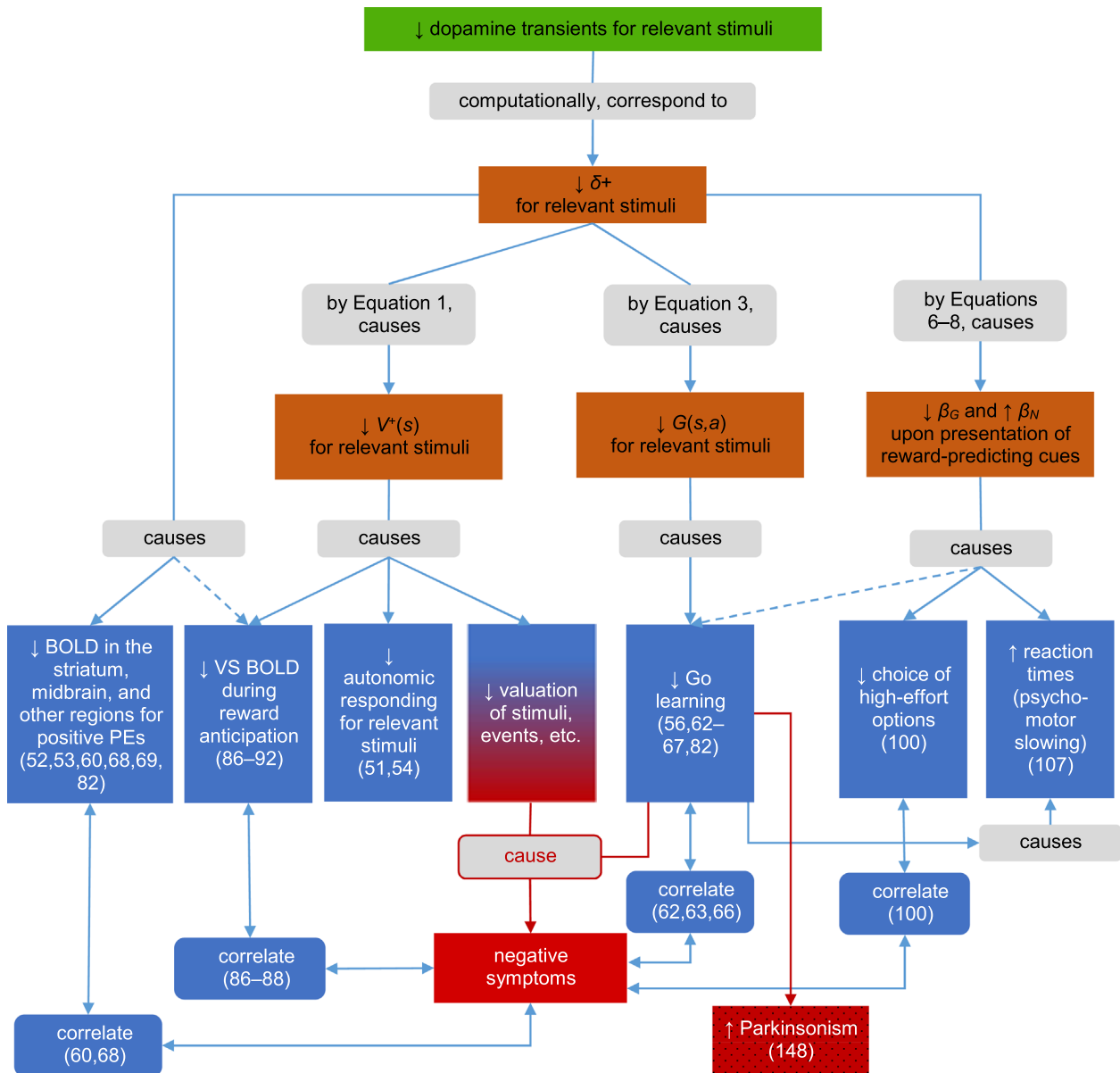


Figure 5. Blunted adaptive dopamine transients in the striatum explain several neural and behavioral laboratory findings in schizophrenia that correlate with negative symptoms and help to explain negative symptoms themselves. Blunted adaptive dopamine transients (green) have specific effects on computational variables (orange-brown) that, in turn, cause specific neural and behavioral disturbances that have been found in the laboratory in schizophrenia (blue, with numbers in parenthesis referring to relevant citations). In real life, the same alterations in the computational variables likely cause decreased valuation of stimuli and events (blue-red gradient), which, in turn, causes at least some forms of primary negative symptoms (red). The same disturbances can also explain Parkinsonism associated with schizophrenia (dotted red). In more detail, blunted adaptive dopamine transients (i.e., blunted transients for relevant stimuli and outcomes) cause blunted prediction error (PE) signaling, which has been observed in schizophrenia in many studies (52,53,60,68,69,82). According to Equation 1 (Box 1), reduced PE signaling causes reduced value learning, which, given that the ventral striatum (VS) represents value (32), in turn causes reduced VS activation during reward anticipation, as has also been observed in schizophrenia in many studies (86-92). Some of the findings of reduced VS activation during reward anticipation could also be due to the blunted PE signaling (dashed arrow) because, with learning, PEs move from outcomes to the cues that predict them (12), and the blood oxygen level-dependent (BOLD) response to the cue could extend into the reward-anticipation period. In real life, reduced value learning could lead to reduced valuation of stimuli, events, and situations, possibly contributing to negative symptoms. According to Equation 3 (Box 1), reduced PE signaling also causes reduced direct-pathway (Go) learning, thereby leading to reduced learning from rewards, as has also been observed in multiple studies in schizophrenia (56,62-67,82). In real life, the impaired Go learning may lead to reduced learning to perform actions that lead to positive outcomes, which, especially in the face of preserved indirect-pathway (NoGo) learning, may contribute to negative symptoms. Decreased Go learning may also lead to Parkinsonism, which, despite being commonly associated with antipsychotics, is associated with schizophrenia even in antipsychotic-naive patients (148). According to Equations 6-8 (Box 1), adaptive transients that occur when reward-predicting cues are presented amplify Go signals (i.e., increase β_G) and reduce NoGo signals (i.e., reduce β_N). As a result, positive values are given more weight than negative values, facilitating (a) choice of rewarding options, (b) effortful responses for reward, and (c) fast, invigorated responding (30). Blunted adaptive transients cause a reduction of these effects, leading to

in schizophrenia; indeed, tonic and phasic dopamine may correlate positively because possibly only neurons that are firing tonically can be recruited to burst-fire (106). However, the hypothesis that schizophrenia involves increased spontaneous dopamine transients seems more consistent with the existing evidence than the hypothesis that it instead, or additionally, involves increased tonic dopamine.

Increased spontaneous transients explain directly, through reinforcement-learning equations, the increased behavioral, autonomic, and neural responses to neutral stimuli and neutral PEs (Figure 4). Increased tonic dopamine explains the neural findings only under the assumption that it increases striatal gain. Tonic dopamine does increase the gain (excitability) of Go MSNs, but it decreases the excitability of NoGo MSNs (27,29). Striatal blood oxygen level-dependent responses would therefore have to reflect mostly activation of Go neurons to be amplified by tonic dopamine: a possible but untested assumption.

The hypothesis that schizophrenia involves increased tonic dopamine is also at odds with some evidence. Increased tonic dopamine would amplify Go relative to NoGo striatal representations (Equation 9 in Box 1; Figures 2A and 3D), which would (a) increase effort; (b) increase vigor, reflected, for example, in reduced reaction times; and (c) increase weighting of positive values, thereby increasing discriminability between choices with different positive values (30). Schizophrenia patients show the opposite effects: (a) decreased effort (100); (b) psychomotor slowing (107); and (c) reduced weighting of, and ability to discriminate between, positive (and negative) values (108,109). Furthermore, increasing tonic stimulation of striatal dopaminergic receptors (e.g., with dopamine agonists in Parkinson's disease) impairs NoGo learning (110,111), which in schizophrenia is preserved. Finally, increased tonic dopamine would not explain the formation of specific, recurrent delusions and hallucinations.

CLINICAL IMPLICATIONS

Effects of Antipsychotics on Positive and Negative Symptoms

As discussed previously, schizophrenia involves impaired Go learning and blunted PE signaling, which may relate to negative symptoms, and antipsychotics may aggravate these reinforcement-learning deficits and some negative symptoms. Indeed, antipsychotics, administered chronically, reduce dopamine-neuron firing (112), so they may blunt adaptive dopamine transients, in addition to blunting their postsynaptic effects through D₂ blockade. The consequent aggravation in reinforcement-learning deficits and some negative symptoms may help explain the poor adherence to antipsychotic treatment.

Blunting of dopamine transients, however, may be precisely what improves positive symptoms—albeit by reducing spontaneous transients.

Treating Negative Symptoms

If some negative symptoms are caused by blunted adaptive dopamine transients, increasing phasic dopamine could improve negative symptoms. Indeed, low or moderate doses of psychostimulants, which increase adaptive transients (Figure 1C, third panel), and low doses of amisulpride, which increase phasic dopamine by preferentially blocking D₂ autoreceptors (113), may improve negative symptoms (113–115). These treatments, however, may also increase spontaneous transients, aggravating positive symptoms. Indeed, the amount of amphetamine-induced dopamine release correlates with both improvement of negative symptoms and aggravation of positive symptoms (7).

Earlier in the article, we used the findings that high doses of psychostimulants cause both increased spontaneous and decreased adaptive transients (Figure 1) as proof that these disturbances can coexist. That does not necessarily imply, however, that the mechanism that causes these disturbances is the same in schizophrenia and with high doses of psychostimulants. If it were, even low doses of psychostimulants might aggravate negative symptoms, as patients might already be in a “high-psychostimulant-like state” (Figure 1C, right panel). Interestingly, amphetamine has in fact sometimes been reported to aggravate negative symptoms (116). Conceivably, psychostimulants may ameliorate or aggravate negative symptoms depending on whether, in a given patient, they increase or decrease adaptive transients, respectively—which, in turn, could depend on the mechanism underlying blunted adaptive transients in that patient.

Substance Use Disorders and Schizophrenia

Self-medication for decreased adaptive transients and their associated negative symptoms may explain the high prevalence of substance use disorders in schizophrenia (117). Repeated substance use may increase phasic dopamine signals for relevant stimuli and outcomes (118,119), which could explain the association of substance use disorders with reduced negative symptoms (120). Unfortunately, all drugs commonly abused by schizophrenia patients increase spontaneous burst-firing in dopamine neurons and spontaneous striatal dopamine transients (11,118,119), which likely explains their association with increased positive symptoms (120) and why substance use disorders increase risk for schizophrenia (117).

(a) difficulties choosing rewarding options, which may contribute to the observed deficits in choice after Go learning, (b) decreased tendency to make effortful responses for reward, and (c) longer reaction times, all of which have been found in schizophrenia (56,62–67,82,100,107,109). Indeed, in animals, inhibiting dopamine-neuron firing during choice decreases choice of rewarding actions (149), and dopamine-neuron firing for a reward-predicting cue correlates negatively with reaction times (150). Increased reaction times may also be caused by reduced Go learning. The decrease in adaptive transients for reward-predicting cues may be further compounded by the decreased value learning, which will make those cues have lower value and therefore elicit smaller PEs (whose signaling will then itself be reduced even further because of the blunted PE signaling). The fact that blunted adaptive dopamine transients may be the common cause of all of the depicted laboratory-based deficits (blue boxes) and at least some forms of primary negative symptoms (red box) explains the widely replicated correlations between these laboratory deficits and negative symptoms (60,62,63,66,68,86–88,100). Gray boxes identify relations between concepts. ↑ means increased; ↓ means decreased.

Time Course of Action of Antipsychotics

Antipsychotics cause quick improvements in positive symptoms (121) that then continue to build up. An explanation for this combination of immediate and gradual effects is suggested by studies showing that D₂ blockade affects both performance, which leads to immediate effects, and learning, which leads to gradually accumulating effects (30,39,122). D₂ blockade increases both activity and plasticity in NoGo MSNs (39,123,124), which are involved in NoGo performance and learning, respectively (27,28,30). In the motor domain, the effect on performance immediately decreases the tendency for action (39,123,124); the effect on learning additionally causes gradually learned inaction (39,122), consistent with the progressive aggravation of Parkinsonism in antipsychotic-treated patients (125). These ideas extend naturally to psychosis, under the hypothesis that positive symptoms correspond to excessive gating (excessive Go) of abnormal thoughts and percepts. Specifically, antipsychotics may immediately reduce the gating of psychotic symptoms by increasing NoGo activity and gradually decrease such gating further through NoGo learning.

RELATION TO OTHER DEFICITS AND NEURAL SYSTEMS

We have focused on the role of disturbances in striatal dopamine in schizophrenia. Others have explored computationally the role of other biological disturbances (126–132). Hierarchical predictive-coding models generalize some of the issues we addressed (Box 2).

The disturbances in striatal dopamine could originate in upstream brain regions or cognitive processes. For example, schizophrenia patients have deficits in pattern separation (133), possibly due to hippocampal disturbances (134), and in working memory (135), possibly due to prefrontal hypodopaminergia (136,137) and associated hypofrontality (138). These deficits could make keeping track of stimuli and contingencies difficult, leading patients to generalize inappropriately across stimuli, which could explain the reduced responding to relevant stimuli and increased responding to neutral stimuli. Indeed, schizophrenia patients overgeneralize (139), and some of their reinforcement-learning deficits may be due to working-memory disturbances (140). Patients' impairment in explicitly reporting cue-outcome contingencies (55,56) further points to

cognitive difficulties. Prefrontal hypodopaminergia could itself cause disturbances in striatal dopamine (137). Conversely, the striatal dopaminergic disturbances could cause these cognitive deficits: increased spontaneous and decreased adaptive transients could cause increased gating of irrelevant and decreased gating of relevant information, respectively, into working memory and possibly into episodic memory.

Patients may also be impaired in representing expected value (60,66,108,109) because of working-memory or orbitofrontal cortex (OFC) disturbances. Indeed, patients are impaired in value-based choices even in tasks without learning (108,109). They are also impaired in using a model of task space in a reversal-learning task (82), an OFC-dependent function (141). Difficulties representing values may sometimes account for impairments in Go learning (66). However, OFC value representations influence (142), and are influenced by (45,143), dopaminergic signaling. Furthermore, psychotogenic psychostimulant doses—which cause dopaminergic disturbances similar to those that we suggest underlie schizophrenia—disrupt the representation of expected value in ventromedial prefrontal cortex (83).

As an exclusive explanation, cognitive disturbances imply nonspecific impairments that are inconsistent with findings of specificity in schizophrenia (e.g., reduced Go learning and activation for positive PEs with preserved NoGo learning and activation for negative PEs). Furthermore, explanations that do not postulate a deficit in PE signaling run into a difficulty: mathematically, PE and value should correlate negatively (Equation 2 in Box 1), so accounts that explain decreased signaling for one generally will predict increased signaling for the other. Blunted signaling of both, as in schizophrenia, can, however, be explained by assuming that the primary deficit is blunted PE signaling, which causes reduced value learning (Equation 1 in Box 1; Figure 5).

CONCLUSIONS

The hypothesis that schizophrenia involves increased spontaneous transients and reduced adaptive transients explains multiple findings (Figures 4 and 5) and makes novel predictions (Supplement). Increased spontaneous transients explain many findings that correlate with positive symptoms and may help explain positive symptoms themselves (Figure 4); reduced adaptive transients explain many findings that

Box 2. Hierarchical Bayesian Predictive-Coding Models

Hierarchical Bayesian predictive-coding models provide a generalization of some of the issues we addressed. These models generalize the notions of expectation and prediction error (PE) into a general theory about the hierarchical organization of the brain, in which top-down glutamatergic projections from higher to lower cortical areas signal expectations and bottom-up glutamatergic projections from lower to higher areas signal PEs (132). These models address a broad range of findings that suggest that disturbances in the formation or use of expectations and in the signaling of PEs are prevalent in schizophrenia in domains that extend beyond reinforcement learning (129–131,144). One theory, derived from work with ketamine-induced psychoses, suggests that *N*-methyl-D-aspartate (NMDA) receptor hypofunction might impair the formation and use of cortical top-down glutamatergic expectations (145). Such blunted top-down signaling of expectations could explain various findings in schizophrenia, such as reduced mismatch-negativity signals and reduced sensitivity to perceptual illusions (129,144), and may also contribute to impairments in reinforcement learning (66). Based on microdialysis findings in rats that ketamine increases glutamate in prefrontal cortex (146), this theory further suggests that schizophrenia might also involve excessive and dysregulated cortical bottom-up glutamatergic signaling of PEs (through alpha-amino-3-hydroxy-5-methyl-4-isoxazolepropionic acid [AMPA] receptors), which in turn could cause aberrant percepts and aberrant gating of irrelevant information (145). Interestingly, and consistent with our proposal that schizophrenia involves biological disturbances akin to those caused by high doses of psychostimulants, amphetamine also increases glutamate in multiple regions, including the frontal cortex, and induces various alterations in glutamatergic receptors in those regions (147).

correlate with negative symptoms and may help explain primary negative symptoms themselves (Figure 5). Postulating these two dopaminergic disturbances does not violate parsimony because high psychostimulant doses, which are psychotogenic, cause these two disturbances (11,13); furthermore, several mechanisms could explain their coexistence in schizophrenia (Supplement). For example, disturbances in Ca_v1.2 channels may increase spontaneous transients and decrease adaptive transients or disrupt other mechanisms necessary for reward learning (Supplement).

Our account has important implications for treatment. Many drugs, including antipsychotics, likely affect spontaneous and adaptive transients similarly, so they may have opposite effects on positive symptoms and primary negative symptoms. Escaping this predicament may require independently affecting spontaneous versus adaptive transients.

ACKNOWLEDGMENTS AND DISCLOSURES

This work was supported by funding from the Tourette Syndrome Association (to TVM), from a Breakthrough Idea Grant from the Institute for Molecular Medicine, School of Medicine, University of Lisbon (to TVM), and from National Institute of Mental Health (NIMH) (Grant No. NIMH R01 MH080066-01 to MJF).

We thank the four anonymous reviewers for their thoughtful comments and suggestions.

TVM has no biomedical financial interests or potential conflicts of interest. MJF is a consultant for F. Hoffmann-La Roche Pharmaceuticals.

ARTICLE INFORMATION

From the Institute for Molecular Medicine (TVM), School of Medicine, University of Lisbon, Lisbon, Portugal; and the Department of Cognitive, Linguistic and Psychological Sciences, the Department of Psychiatry and Human Behavior, and the Brown Institute for Brain Science (MJF), Brown University, Providence, Rhode Island.

Address correspondence to Tiago V. Maia, Ph.D., Instituto de Medicina Molecular, Faculdade de Medicina, Universidade de Lisboa, Av. Prof. Egas Moniz, 1649-028 Lisboa, Portugal; E-mail: tiago.v.maia@gmail.com.

Received Nov 12, 2015; revised Apr 19, 2016; accepted May 19, 2016.

Supplementary material cited in this article is available online at <http://dx.doi.org/10.1016/j.biopsych.2016.05.021>.

REFERENCES

- Howes OD, Kambaitz J, Kim E, Stahl D, Slifstein M, Abi-Dargham A, Kapur S (2012): The nature of dopamine dysfunction in schizophrenia and what this means for treatment. *Arch Gen Psychiatry* 69: 776–786.
- Fusar-Poli P, Meyer-Lindenberg A (2013): Striatal presynaptic dopamine in schizophrenia, part II: Meta-analysis of [18F/11C]-DOPA PET studies. *Schizophr Bull* 39:33–42.
- Weinberger DR, Laruelle M (2002): Neurochemical and neuropharmacological imaging in schizophrenia. In: Davis KL, Charney D, Coyne JT, Nemeroff C, editors. *Neuropsychopharmacology: The Fifth Generation of Progress*. Philadelphia, PA: Lippincott, Williams, & Wilkins, 833–855.
- Howes OD, Montgomery AJ, Asselin M-C, Murray RM, Valli I, Tabraham P, et al. (2009): Elevated striatal dopamine function linked to prodromal signs of schizophrenia. *Arch Gen Psychiatry* 66:13–20.
- Howes OD, Bose SK, Turkheimer F, Valli I, Egerton A, Valmaggia LR, et al. (2011): Dopamine synthesis capacity before onset of psychosis: a prospective [18F]-DOPA PET imaging study. *Am J Psychiatry* 168:1311–1317.
- Howes OD, Bose S, Turkheimer F, Valli I, Egerton A, Stahl D, et al. (2011): Progressive increase in striatal dopamine synthesis capacity as patients develop psychosis: A PET study. *Mol Psychiatry* 16: 885–886.
- Laruelle M, Abi-Dargham A, Gil R, Kegeles LS, Innis R (1999): Increased dopamine transmission in schizophrenia: Relationship to illness phases. *Biol Psychiatry* 46:56–72.
- Kegeles LS, Abi-Dargham A, Frankle WG, Gil R, Cooper TB, Slifstein M, et al. (2010): Increased synaptic dopamine function in associative regions of the striatum in schizophrenia. *Arch Gen Psychiatry* 67: 231–239.
- Mizrahi R, Addington J, Rusjan PM, Suridjan I, Ng A, Boileau I, et al. (2012): Increased stress-induced dopamine release in psychosis. *Biol Psychiatry* 71:561–567.
- Egerton A, Chaddock CA, Winton-Brown TT, Bloomfield MAP, Bhattacharyya S, Allen P, et al. (2013): Presynaptic striatal dopamine dysfunction in people at ultra-high risk for psychosis: Findings in a second cohort. *Biol Psychiatry* 74:106–112.
- Covey DP, Roitman MF, Garris PA (2014): Illicit dopamine transients: Reconciling actions of abused drugs. *Trends Neurosci* 37:200–210.
- Clark JJ, Sandberg SG, Wanat MJ, Gan JO, Horne EA, Hart AS, et al. (2009): Chronic microensors for longitudinal, subsecond dopamine detection in behaving animals. *Nat Methods* 7:126–129.
- Daberkow DP, Brown HD, Bunner KD, Kraniotis SA, Doelman MA, Ragozzino ME, et al. (2013): Amphetamine paradoxically augments exocytotic dopamine release and phasic dopamine signals. *J Neurosci* 33:452–463.
- Kapur S (2003): Psychosis as a state of aberrant salience: A framework linking biology, phenomenology, and pharmacology in schizophrenia. *Am J Psychiatry* 160:13–23.
- Heinz A, Schlagenhauf F (2010): Dopaminergic dysfunction in schizophrenia: Salience attribution revisited. *Schizophr Bull* 36: 472–485.
- King R, Barchas JD, Huberman BA (1984): Chaotic behavior in dopamine neurodynamics. *Proc Natl Acad Sci U S A* 81:1244–1247.
- Paparelli A, Di Forti M, Morrison PD, Murray RM (2011): Drug-induced psychosis: How to avoid star gazing in schizophrenia research by looking at more obvious sources of light. *Front Behav Neurosci* 5:1.
- Lieberman JA, Kane JM, Alvir J (1987): Provocative tests with psychostimulant drugs in schizophrenia. *Psychopharmacology (Berl)* 91:415–433.
- Corlett PR, Honey GD, Fletcher PC (2007): From prediction error to psychosis: Ketamine as a pharmacological model of delusions. *J Psychopharmacol* 21:238–252.
- Poels EM, Kegeles LS, Kantrowitz JT, Slifstein M, Javitt DC, Lieberman JA, et al. (2014): Imaging glutamate in schizophrenia: Review of findings and implications for drug discovery. *Mol Psychiatry* 19:20–29.
- Coyle JT (2012): NMDA receptor and schizophrenia: a brief history. *Schizophr Bull* 38:920–926.
- Lisman JE, Coyle JT, Green RW, Javitt DC, Benes FM, Heckers S, Grace AA (2008): Circuit-based framework for understanding neurotransmitter and risk gene interactions in schizophrenia. *Trends Neurosci* 31:234–242.
- French ED (1994): Phencyclidine and the midbrain dopamine system: Electrophysiology and behavior. *Neurotoxicol Teratol* 16: 355–362.
- Belujon P, Grace AA (2014): Restoring mood balance in depression: Ketamine reverses deficit in dopamine-dependent synaptic plasticity. *Biol Psychiatry* 76:927–936.
- Laruelle M, Kegeles LS, Abi-Dargham A (2003): Glutamate, dopamine, and schizophrenia: From pathophysiology to treatment. *Ann N Y Acad Sci* 1003:138–158.
- Stephan KE, Friston KJ, Frith CD (2009): Dysconnection in schizophrenia: From abnormal synaptic plasticity to failures of self-monitoring. *Schizophr Bull* 35:509–527.
- Frank MJ (2005): Dynamic dopamine modulation in the basal ganglia: A neurocomputational account of cognitive deficits in medicated and nonmedicated Parkinsonism. *J Cogn Neurosci* 17: 51–72.

28. Maia TV, Frank MJ (2011): From reinforcement learning models to psychiatric and neurological disorders. *Nat Neurosci* 14:154–162.
29. Gerfen CR, Surmeier DJ (2011): Modulation of striatal projection systems by dopamine. *Annu Rev Neurosci* 34:441–466.
30. Collins AGE, Frank MJ (2014): Opponent actor learning (OpAL): Modeling interactive effects of striatal dopamine on reinforcement learning and choice incentive. *Psychol Rev* 121:337–366.
31. Cui G, Jun SB, Jin X, Pham MD, Vogel SS, Lovinger DM, Costa RM (2013): Concurrent activation of striatal direct and indirect pathways during action initiation. *Nature* 494:238–242.
32. Maia TV (2009): Reinforcement learning, conditioning, and the brain: Successes and challenges. *Cogn Affect Behav Neurosci* 9:343–364.
33. Schultz W (2013): Updating dopamine reward signals. *Curr Opin Neurobiol* 23:229–238.
34. Cohen J, Uchida N (2012): Neuron-type specific signals for reward and punishment in the ventral tegmental area. *Nature* 482:85–88.
35. Tsai H-C, Zhang F, Adamantidis A, Stuber GD, Bonci A, de Lecea L, Deisseroth K (2009): Phasic firing in dopaminergic neurons is sufficient for behavioral conditioning. *Science* 324:1080–1084.
36. Hamid AA, Pettibone JR, Mabrouk OS, Hetrick VL, Schmidt R, Vander Weele CM, *et al.* (2015): Mesolimbic dopamine signals the value of work. *Nat Neurosci* 19:117–126.
37. Kravitz AV, Tye LD, Kreitzer AC (2012): Distinct roles for direct and indirect pathway striatal neurons in reinforcement. *Nat Neurosci* 15: 816–818.
38. Shen W, Flajolet M, Greengard P, Surmeier DJ (2008): Dichotomous dopaminergic control of striatal synaptic plasticity. *Science* 321: 848–851.
39. Beeler JA, Frank MJ, McDaid J, Alexander E, Turkson S, Sol Bernandez M, *et al.* (2012): A role for dopamine-mediated learning in the pathophysiology and treatment of Parkinson's disease. *Cell Rep* 2:1747–1761.
40. Danjo T, Yoshimi K, Funabiki K, Yawata S, Nakanishi S (2014): Aversive behavior induced by optogenetic inactivation of ventral tegmental area dopamine neurons is mediated by dopamine D2 receptors in the nucleus accumbens. *Proc Natl Acad Sci U S A* 111: 6455–6460.
41. Wise RA (2004): Dopamine, learning and motivation. *Nat Rev Neurosci* 5:483–494.
42. Cagniard B, Beeler JA, Britt JP, McGehee DS, Marinelli M, Zhuang X (2006): Dopamine scales performance in the absence of new learning. *Neuron* 51:541–547.
43. Smittenaar P, Chase HW, Aarts E, Nusslein B, Bloem BR, Cools R (2012): Decomposing effects of dopaminergic medication in Parkinson's disease on probabilistic action selection—learning or performance? *Eur J Neurosci* 35:1144–1151.
44. Shiner T, Seymour B, Wunderlich K, Hill C, Bhatia KP, Dayan P, Dolan RJ (2012): Dopamine and performance in a reinforcement learning task: evidence from Parkinson's disease. *Brain* 135: 1871–1883.
45. Jocham G, Klein TA, Ullsperger M (2011): Dopamine-mediated reinforcement learning signals in the striatum and ventromedial prefrontal cortex underlie value-based choices. *J Neurosci* 31: 1606–1613.
46. Jocham G, Klein TA, Ullsperger M (2014): Differential modulation of reinforcement learning by D2 dopamine and NMDA glutamate receptor antagonism. *J Neurosci* 34:13151–13162.
47. Worbe Y, Palminteri S, Hartmann A, Vidailhet M, Lehericy S, Pessiglione M (2011): Reinforcement learning and Gilles de la Tourette syndrome. *Arch Gen Psychiatry* 68:1257–1266.
48. Menon M, Jensen J, Vitcu I, Graff-Guerrero A, Crawley A, Smith MA, Kapur S (2007): Temporal difference modeling of the blood-oxygen level dependent response during aversive conditioning in humans: Effects of dopaminergic modulation. *Biol Psychiatry* 62:765–772.
49. O'Reilly RC, Frank MJ (2006): Making working memory work: A computational model of learning in the prefrontal cortex and basal ganglia. *Neural Comput* 18:283–328.
50. Frank MJ, O'Reilly RC (2006): A mechanistic account of striatal dopamine function in human cognition: Psychopharmacological studies with cabergoline and haloperidol. *Behav Neurosci* 120: 497–517.
51. Jensen J, Willeit M, Zipursky RB, Savina I, Smith AJ, Menon M, *et al.* (2008): The formation of abnormal associations in schizophrenia: Neural and behavioral evidence. *Neuropsychopharmacology* 33: 473–479.
52. Romaniuk L, Honey GD, King JRL, Whalley HC, McIntosh AM, Levita L, *et al.* (2010): Midbrain activation during Pavlovian conditioning and delusional symptoms in schizophrenia. *Arch Gen Psychiatry* 67: 1246–1254.
53. Murray GK, Corlett PR, Clark L, Pessiglione M, Blackwell AD, Honey G, *et al.* (2008): Substantia nigra/ventral tegmental reward prediction error disruption in psychosis. *Mol Psychiatry* 13:267–276.
54. Diaconescu AO, Jensen J, Wang H, Willeit M, Menon M, Kapur S, McIntosh AR (2011): Aberrant effective connectivity in schizophrenia patients during appetitive conditioning. *Front Hum Neurosci* 4:239.
55. Roiser JP, Howes OD, Chaddock CA, Joyce EM, McGuire P (2013): Neural and behavioral correlates of aberrant salience in individuals at risk for psychosis. *Schizophr Bull* 39:1328–1336.
56. Roiser JP, Stephan KE, den Ouden HEM, Barnes TRE, Friston KJ, Joyce EM (2009): Do patients with schizophrenia exhibit aberrant salience? *Psychol Med* 39:199–209.
57. Nagy H, Levy-Gigi E, Somlai Z, Takáts A, Bereczki D, Kéri S (2012): The effect of dopamine agonists on adaptive and aberrant salience in Parkinson's disease. *Neuropsychopharmacology* 37:950–958.
58. Pankow A, Katthagen T, Diner S, Deserno L, Boehme R, Kathmann N, *et al.* (2016): Aberrant salience is related to dysfunctional self-referential processing in psychosis. *Schizophr Bull* 42:67–76.
59. Rebec GV (2006): Behavioral electrophysiology of psychostimulants. *Neuropsychopharmacology* 31:2341–2348.
60. Strauss GP, Waltz JA, Gold JM (2014): A review of reward processing and motivational impairment in schizophrenia. *Schizophr Bull* 40: S107–S116.
61. Berridge KC (2007): The debate over dopamine's role in reward: The case for incentive salience. *Psychopharmacology (Berl)* 191: 391–431.
62. Yilmaz A, Simsek F, Gonul AS (2012): Reduced reward-related probability learning in schizophrenia patients. *Neuropsychiatr Dis Treat* 8:27–34.
63. Strauss GP, Frank MJ, Waltz JA, Kasonova Z, Herbener ES, Gold JM (2011): Deficits in positive reinforcement learning and uncertainty-driven exploration are associated with distinct aspects of negative symptoms in schizophrenia. *Biol Psychiatry* 69:424–431.
64. Waltz JA, Frank MJ, Wiecki TV, Gold JM (2011): Altered probabilistic learning and response biases in schizophrenia: Behavioral evidence and neurocomputational modeling. *Neuropsychology* 25:86–97.
65. Waltz JA, Frank MJ, Robinson BM, Gold JM (2007): Selective reinforcement learning deficits in schizophrenia support predictions from computational models of striatal-cortical dysfunction. *Biol Psychiatry* 62:756–764.
66. Gold JM, Waltz JA, Matveeva TM, Kasonova Z, Strauss GP, Herbener ES, *et al.* (2012): Negative symptoms and the failure to represent the expected reward value of actions: Behavioral and computational modeling evidence. *Arch Gen Psychiatry* 69: 129–138.
67. Murray GK, Clark L, Corlett PR, Blackwell AD, Cools R, Jones PB, *et al.* (2008): Incentive motivation in first-episode psychosis: A behavioural study. *BMC Psychiatry* 8:34.
68. Waltz JA, Schweitzer JB, Gold JM, Kurup PK, Ross TJ, Jo Salmeron B, *et al.* (2009): Patients with schizophrenia have a reduced neural response to both unpredictable and predictable primary reinforcers. *Neuropsychopharmacology* 34:1567–1577.
69. Gradin VB, Kumar P, Waiter G, Ahearn T, Stickle C, Milders M, *et al.* (2011): Expected value and prediction error abnormalities in depression and schizophrenia. *Brain* 134:1751–1764.
70. Waltz JA, Schweitzer JB, Ross TJ, Kurup PK, Salmeron BJ, Rose EJ, *et al.* (2010): Abnormal responses to monetary outcomes in cortex, but not in the basal ganglia, in schizophrenia. *Neuropsychopharmacology* 35:2427–2439.

71. Zweifel LS, Fadok JP, Argilli E, Garelick MG, Jones GL, Dickerson TMK, *et al.* (2011): Activation of dopamine neurons is critical for aversive conditioning and prevention of generalized anxiety. *Nat Neurosci* 14:620–626.
72. Matsumoto M, Hikosaka O (2009): Two types of dopamine neuron distinctly convey positive and negative motivational signals. *Nature* 459:837–841.
73. Gore BB, Soden ME, Zweifel LS (2014): Visualization of plasticity in fear-evoked calcium signals in midbrain dopamine neurons. *Learn Mem* 21:575–579.
74. Palminteri S, Lebreton M, Worbe Y, Grabli D, Hartmann A, Pessiglione M (2009): Pharmacological modulation of subliminal learning in Parkinson's and Tourette's syndromes. *Proc Natl Acad Sci U S A* 106:19179–19184.
75. McCabe C, Huber A, Harmer CJ, Cowen PJ (2011): The D2 antagonist sulpiride modulates the neural processing of both rewarding and aversive stimuli in healthy volunteers. *Psychopharmacology (Berl)* 217:271–278.
76. Pezze MA, Feldon J (2004): Mesolimbic dopaminergic pathways in fear conditioning. *Prog Neurobiol* 74:301–320.
77. Voruganti L, Awad AG (2004): Neuroleptic dysphoria: Towards a new synthesis. *Psychopharmacology (Berl)* 171:121–132.
78. Artaloytia JF, Arango C, Lahti A, Sanz J, Pascual A, Cubero P, *et al.* (2006): Negative signs and symptoms secondary to antipsychotics: A double-blind, randomized trial of a single dose of placebo, haloperidol, and risperidone in healthy volunteers. *Am J Psychiatry* 163:488–493.
79. Kraepelin E (1919): *Dementia Praecox and Paraphrenia*. New York, NY: Robert E. Kreiger Publishing Co., Inc.
80. Leucht S, Arbtter D, Engel RR, Kissling W, Davis JM (2009): How effective are second-generation antipsychotic drugs? A meta-analysis of placebo-controlled trials. *Mol Psychiatry* 14:429–447.
81. Buckley PF, Stahl SM (2007): Pharmacological treatment of negative symptoms of schizophrenia: Therapeutic opportunity or cul-de-sac? *Acta Psychiatr Scand* 115:93–100.
82. Schlagenhauf F, Huys QJM, Deserno L, Rapp MA, Beck A, Heinz HJ, *et al.* (2014): Striatal dysfunction during reversal learning in unmedicated schizophrenia patients. *Neuroimage* 89:171–180.
83. Bernacer J, Corlett PR, Ramachandra P, McFarlane B, Turner DC, Clark L, *et al.* (2013): Methamphetamine-induced disruption of frontostriatal reward learning signals: Relation to psychotic symptoms. *Am J Psychiatry* 170:1326–1334.
84. Schlagenhauf F, Rapp MA, Huys QJM, Beck A, Wüstenberg T, Deserno L, *et al.* (2013): Ventral striatal prediction error signaling is associated with dopamine synthesis capacity and fluid intelligence. *Hum Brain Mapp* 34:1490–1499.
85. Boehme R, Deserno L, Gleich T, Katthagen T, Pankow A, Behr J, *et al.* (2015): Aberrant salience is related to reduced reinforcement learning signals and elevated dopamine synthesis capacity in healthy adults. *J Neurosci* 35:10103–10111.
86. Deserno L, Boehme R, Heinz A, Schlagenhauf F (2013): Reinforcement learning and dopamine in schizophrenia: Dimensions of symptoms or specific features of a disease group? *Front Psychiatry* 4:172.
87. Winton-Brown TT, Fusar-Poli P, Ungless MA, Howes OD (2014): Dopaminergic basis of salience dysregulation in psychosis. *Trends Neurosci* 37:85–94.
88. Knutson B, Heinz A (2015): Probing psychiatric symptoms with the monetary incentive delay task. *Biol Psychiatry* 77:418–420.
89. Nielsen MQ, Rostup E, Wulff S, Bak N, Lublin H, Kapur S, Glenthøj B (2012): Alterations of the brain reward system in antipsychotic naïve schizophrenia patients. *Biol Psychiatry* 71:898–905.
90. Schlagenhauf F, Sterzer P, Schmack K, Ballmaier M, Rapp M, Wrase J, *et al.* (2009): Reward feedback alterations in unmedicated schizophrenia patients: Relevance for delusions. *Biol Psychiatry* 65:1032–1039.
91. de Leeuw M, Kahn RS, Vink M (2014): Fronto-striatal dysfunction during reward processing in unaffected siblings of schizophrenia patients. *Schizophr Bull* 41:94–103.
92. Simon JJ, Cordeiro SA, Weber M-A, Friederich H-C, Wolf RC, Weisbrod M, Kaiser S (2015): Reward system dysfunction as a neural substrate of symptom expression across the general population and patients with schizophrenia. *Schizophr Bull* 41:1370–1378.
93. Juckel G, Schlagenhauf F, Koslowski M, Wüstenberg T, Villringer A, Knutson B, *et al.* (2006): Dysfunction of ventral striatal reward prediction in schizophrenia. *Neuroimage* 29:409–416.
94. Radaua J, Schmidt A, Borgwardt S, Heinz A, Schlagenhauf F, McGuire P, Fusar-Poli P (2015): Ventral striatal activation during reward processing in psychosis: A neurofunctional meta-analysis. *JAMA Psychiatry* 72:1243–1251.
95. Schott BH, Minuzzi L, Krebs RM, Elmenhorst D, Lang M, Winz OH, *et al.* (2008): Mesolimbic functional magnetic resonance imaging activations during reward anticipation correlate with reward-related ventral striatal dopamine release. *J Neurosci* 28:14311–14319.
96. Scott DJ, Stohler CS, Egnatuk CM, Wang H, Koeppe RA, Zubieta J-K (2007): Individual differences in reward responding explain placebo-induced expectations and effects. *Neuron* 55:325–336.
97. Knutson B, Gibbs SEB (2007): Linking nucleus accumbens dopamine and blood oxygenation. *Psychopharmacology (Berl)* 191:813–822.
98. Knutson B, Bjork JM, Fong GW, Hommer D, Mattay VS, Weinberger DR (2004): Amphetamine modulates human incentive processing. *Neuron* 43:261–269.
99. O'Daly OG, Joyce D, Tracy DK, Azim A, Stephan KE, Murray RM, Shergill SS (2014): Amphetamine sensitization alters reward processing in the human striatum and amygdala. *PLoS One* 9:e93955.
100. Gold JM, Waltz JA, Frank MJ (2015): Effort cost computation in schizophrenia: A commentary on the recent literature. *Biol Psychiatry* 78:747–753.
101. Salamone JD, Correa M, Nunes EJ, Randall PA, Pardo M (2012): The behavioral pharmacology of effort-related choice behavior: Dopamine, adenosine and beyond. *J Exp Anal Behav* 97:125–146.
102. Barch DM, Treadway MT, Schoen N (2014): Effort, anhedonia, and function in schizophrenia: Reduced effort allocation predicts amotivation and functional impairment. *J Abnorm Psychol* 123:387–397.
103. Berridge KC (2012): From prediction error to incentive salience: Mesolimbic computation of reward motivation. *Eur J Neurosci* 35:1124–1143.
104. Parga A (2014): Cortical auditory functional activation by cortico-striato-thalamo-cortical circuits [unpublished doctoral dissertation], Tempe, AZ: Arizona State University.
105. Parga A, Munoz G, Hammer RP (2015): Excessive striatal dopamine activates auditory cortex via striato-pallido-thalamo-cortical projections in the rat. *Biol Psychiatry* 77:62S.
106. Lodge DJ, Grace AA (2011): Hippocampal dysregulation of dopamine system function and the pathophysiology of schizophrenia. *Trends Pharmacol Sci* 32:507–513.
107. Morrens M, Hulstijn W, Sabbe B (2007): Psychomotor slowing in schizophrenia. *Schizophr Bull* 33:1038–1053.
108. Brown JK, Waltz JA, Strauss GP, McMahon RP, Frank MJ, Gold JM (2013): Hypothetical decision making in schizophrenia: The role of expected value computation and “irrational” biases. *Psychiatry Res* 209:142–149.
109. Strauss GP, Robinson BM, Waltz JA, Frank MJ, Kasanova Z, Herbener ES, Gold JM (2011): Patients with schizophrenia demonstrate inconsistent preference judgments for affective and non-affective stimuli. *Schizophr Bull* 37:1295–1304.
110. Voon V, Pessiglione M, Brezing C, Gallea C, Fernandez HH, Dolan RJ, Hallett M (2010): Mechanisms underlying dopamine-mediated reward bias in compulsive behaviors. *Neuron* 65:135–142.
111. Astrup A, Greenway FL, Ling W, Pedicone L, Lachowicz J, Strader CD, Kwan R (2007): Randomized controlled trials of the D1/D5 antagonist ecopipam for weight loss in obese subjects. *Obesity (Silver Spring)* 15:1717–1731.
112. Grace AA, Bunney BS, Moore H, Todd CL (1997): Dopamine-cell depolarization block as a model for the therapeutic actions of antipsychotic drugs. *Trends Neurosci* 20:31–37.

113. McKeage K, Plosker GL (2004): Amisulpride: A review of its use in the management of schizophrenia. *CNS Drugs* 18:933–956.
114. Murphy BP, Chung Y-C, Park T-W, McGorry PD (2006): Pharmacological treatment of primary negative symptoms in schizophrenia: A systematic review. *Schizophr Res* 88:5–25.
115. Lindenmayer J-P, Nasrallah H, Pucci M, James S, Citrome L (2013): A systematic review of psychostimulant treatment of negative symptoms of schizophrenia: Challenges and therapeutic opportunities. *Schizophr Res* 147:241–252.
116. Angrist B, Rotrosen J, Gershon S (1980): Differential effects of amphetamine and neuroleptics on negative vs. positive symptoms in schizophrenia. *Psychopharmacology (Berl)* 72:17–19.
117. Green AI, Drake RE, Brunette MF, Noordsy DL (2007): Schizophrenia and co-occurring substance use disorder. *Am J Psychiatry* 164:402–408.
118. Wanat MJ, Willuhn I, Clark JJ, Phillips PEM (2009): Phasic dopamine release in appetitive behaviors and drug addiction. *Curr Drug Abuse Rev* 2:195–213.
119. Willuhn I, Wanat MJ, Clark JJ, Phillips PEM (2010): Dopamine signaling in the nucleus accumbens of animals self-administering drugs of abuse. *Curr Top Behav Neurosci* 3:29–71.
120. Talamo A, Centorrino F, Tondo L, Dimitri A, Hennen J, Baldessarini RJ (2006): Comorbid substance-use in schizophrenia: Relation to positive and negative symptoms. *Schizophr Res* 86:251–255.
121. Agid O, Seeman P, Kapur S (2006): The “delayed onset” of antipsychotic action—an idea whose time has come and gone. *J Psychiatry Neurosci* 31:93–100.
122. Wiecki TV, Riedinger K, von Ameln-Mayerhofer A, Schmidt WJ, Frank MJ (2009): A neurocomputational account of catalepsy sensitization induced by D2 receptor blockade in rats: context dependency, extinction, and renewal. *Psychopharmacology (Berl)* 204:265–277.
123. Durieux PF, Schiffmann SN, de Kerchove d’Exaerde A (2012): Differential regulation of motor control and response to dopaminergic drugs by D1R and D2R neurons in distinct dorsal striatum subregions. *EMBO J* 31:640–653.
124. Bateup HS, Santini E, Shen W, Birnbaum S, Valjent E, Surmeier DJ, et al. (2010): Distinct subclasses of medium spiny neurons differentially regulate striatal motor behaviors. *Proc Natl Acad Sci U S A* 107:14845–14850.
125. Miller DD, Caroff SN, Davis SM, Rosenheck RA, McEvoy JP, Saltz BL, et al. (2008): Extrapyramidal side-effects of antipsychotics in a randomised trial. *Br J Psychiatry* 193:279–288.
126. Rolls ET, Deco G (2011): A computational neuroscience approach to schizophrenia and its onset. *Neurosci Biobehav Rev* 35:1644–1653.
127. Durstewitz D, Seamans JK (2008): The dual-state theory of prefrontal cortex dopamine function with relevance to catechol-o-methyltransferase genotypes and schizophrenia. *Biol Psychiatry* 64:739–749.
128. Anticevic A, Murray JD, Barch DM (2015): Bridging levels of understanding in schizophrenia through computational modeling. *Clin Psychol Sci* 3:433–459.
129. Adams RA, Stephan KE, Brown HR, Frith CD, Friston KJ (2013): The computational anatomy of psychosis. *Front Psychiatry* 4:47.
130. Corlett PR, Taylor JR, Wang XJ, Fletcher PC, Krystal JH (2010): Toward a neurobiology of delusions. *Prog Neurobiol* 92:345–369.
131. Stephan KE, Baldeweg T, Friston KJ (2006): Synaptic plasticity and dysconnection in schizophrenia. *Biol Psychiatry* 59:929–939.
132. Friston KJ, Stephan KE, Montague PR, Dolan RJ (2014): Computational psychiatry: The brain as a phantastic organ. *Lancet Psychiatry* 1:148–158.
133. Das T, Ivleva EI, Wagner AD, Stark CEL, Tamminga CA (2014): Loss of pattern separation performance in schizophrenia suggests dentate gyrus dysfunction. *Schizophr Res* 159:193–197.
134. Tamminga CA, Stan AD, Wagner AD (2010): The hippocampal formation in schizophrenia. *Am J Psychiatry* 167:1178–1193.
135. Forbes NF, Carrick LA, McIntosh AM, Lawrie SM (2009): Working memory in schizophrenia: A meta-analysis. *Psychol Med* 39:889–905.
136. Slifstein M, van de Giessen E, Van Snellenberg J, Thompson JL, Narendran R, Gil R, et al. (2015): Deficits in prefrontal cortical and extrastriatal dopamine release in schizophrenia: A positron emission tomographic functional magnetic resonance imaging study. *JAMA Psychiatry* 72:316–324.
137. Abi-Dargham A, Slifstein M, Kegeles LS, Laruelle M (2010): Dopamine dysfunction in schizophrenia. In: Iversen LL, Iversen SD, Dunnett SB, Bjorklund A, editors. *Dopamine Handbook*. New York, NY: Oxford University Press, 511–519.
138. Perlstein WM, Carter CS, Noll DC, Cohen JD (2001): Relation of prefrontal cortex dysfunction to working memory and symptoms in schizophrenia. *Am J Psychiatry* 158:1105–1113.
139. Mednick SA (1969): A learning theory approach to research in schizophrenia. In: Buss AH, Buss EH, editors. *Schizophrenia: Seven Approaches*. New York, NY: Atherton Press, 76–95.
140. Collins AGE, Brown JK, Gold JM, Waltz JA, Frank MJ (2014): Working memory contributions to reinforcement learning impairments in schizophrenia. *J Neurosci* 34:13747–13756.
141. Wilson RC, Takahashi YK, Schoenbaum G, Niv Y (2014): Orbitofrontal cortex as a cognitive map of task space. *Neuron* 81:267–279.
142. Takahashi YK, Roesch MR, Wilson RC, Toneson K, O’Donnell P, Niv Y, Schoenbaum G (2011): Expectancy-related changes in firing of dopamine neurons depend on orbitofrontal cortex. *Nat Neurosci* 14:1590–1597.
143. van Eimeren T, Ballanger B, Pellecchia G, Miyasaki JM, Lang AE, Strafella AP (2009): Dopamine agonists diminish value sensitivity of the orbitofrontal cortex: A trigger for pathological gambling in Parkinson’s disease? *Neuropsychopharmacology* 34:2758–2766.
144. Adams RA, Huys QJM, Roiser JP (2016): Computational psychiatry: Towards a mathematically informed understanding of mental illness. *J Neurol Neurosurg Psychiatry* 87:53–63.
145. Corlett PR, Honey GD, Krystal JH, Fletcher PC (2011): Glutamatergic model psychoses: prediction error, learning, and inference. *Neuropsychopharmacology* 36:294–315.
146. Moghaddam B, Adams B, Verma A, Daly D (1997): Activation of glutamatergic neurotransmission by ketamine: a novel step in the pathway from NMDA receptor blockade to dopaminergic and cognitive disruptions associated with the prefrontal cortex. *J Neurosci* 17:2921–2927.
147. Gass JT, Olive MF (2008): Glutamatergic substrates of drug addiction and alcoholism. *Biochem Pharmacol* 75:218–265.
148. Koning JP, Tenback DE, van Os J, Aleman A, Kahn RS, van Harten PN (2010): Dyskinesia and Parkinsonism in antipsychotic-naïve patients with schizophrenia, first-degree relatives and healthy controls: A meta-analysis. *Schizophr Bull* 36:723–731.
149. Stopper CM, Tse MTL, Montes DR, Wiedman CR, Floresco SB (2014): Overriding phasic dopamine signals redirects action selection during risk/reward decision making. *Neuron* 84:177–189.
150. Satoh T, Nakai S, Sato T, Kimura M (2003): Correlated coding of motivation and outcome of decision by dopamine neurons. *J Neurosci* 23:9913–9923.