

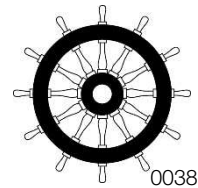
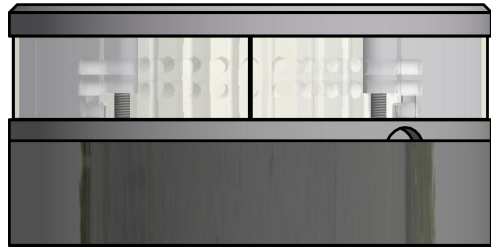
**200-021 – 3NM 225° / 135° /360° WHITE MASTHEAD, STERN AND ANCHOR LIGHT FOR POWER BOATS**

The LED light consists of 3 rows of LEDs that produces light in the specified angles.

The precision machined 6082 aluminium housing with a hard coated anodized surface makes the light a rugged and durable housing for the LEDs and electronics contained within, and the polished PMMA lens delivers a clear light with colour ranging that is well within the standard for maritime use.

Lastly all the interior is completely filled with a special potting resin making it water- and vibration proof before each light is subjected to final testing for no less than 16 hours of continuous operation bringing the total test period beyond 24 hours.

Lopolight products are covered by a 5-year limited warranty. This warranty covers direct exchange of the malfunctioning product and is given under the assumption that the lights have been operated within the specifications of lights.



Technical specifications

## Vessel size:

Masthead: 12m - 20m (39.4' – 65.6')

Stern/anchor: 0 - 50m (0' – 164')

Visibility: **>3 nautical miles/ >3 nautical miles**Intensity: Masthead: **>15cd**Stern/Anchor: **>15cd**Mounting: **Horizontal, see the K-Lock system sheet for options**Operating voltage: **10 - 32 V DC**Number of LEDs: **54**Light colour: **White**Operating temperature: **-25°C to +55°C**IP rating: **IP68**

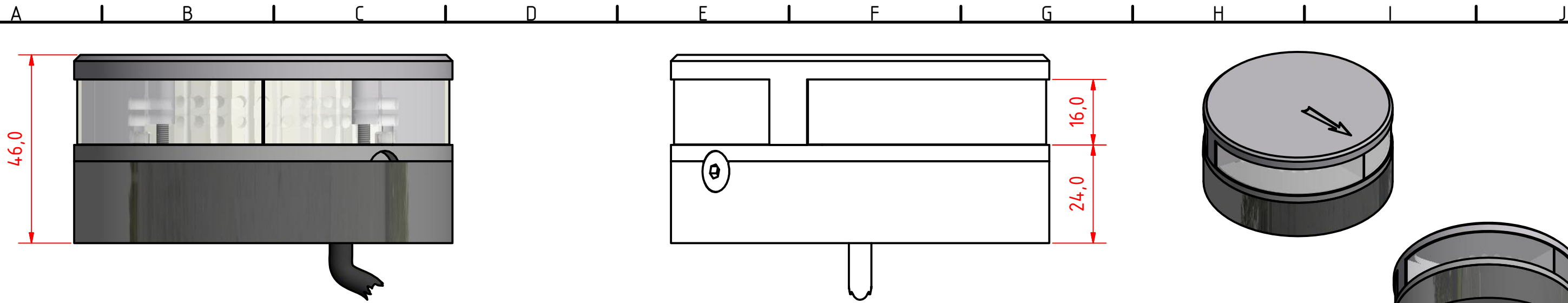
## Power consumption;

Masthead: **3,3 Watt; Current @ 12 VDC: 0,28A - Current @ 24 VDC: 0,14A**Combined: **4,2 Watt; Current @ 12 VDC: 0,35A – Current @ 24 VDC: 0,18A**Connection: **1 cable consisting of 3 x 0,5 mm<sup>2</sup> leads, a screen and insulation.**

- **Red lead = Masthead power**
- **White lead = Combined masthead and stern / anchor power**
- **Black lead = GND**

Certification: **The product is certified by Lloyds (LR) and certificates can be found on [www.lopolight.com](http://www.lopolight.com) under certificates.**Approvals: **COLREG72/ EN14744 / IEC 60945 / USCG/ UL1104**Dimensions: **See drawing**Weight: **0,48kg**Included in package:

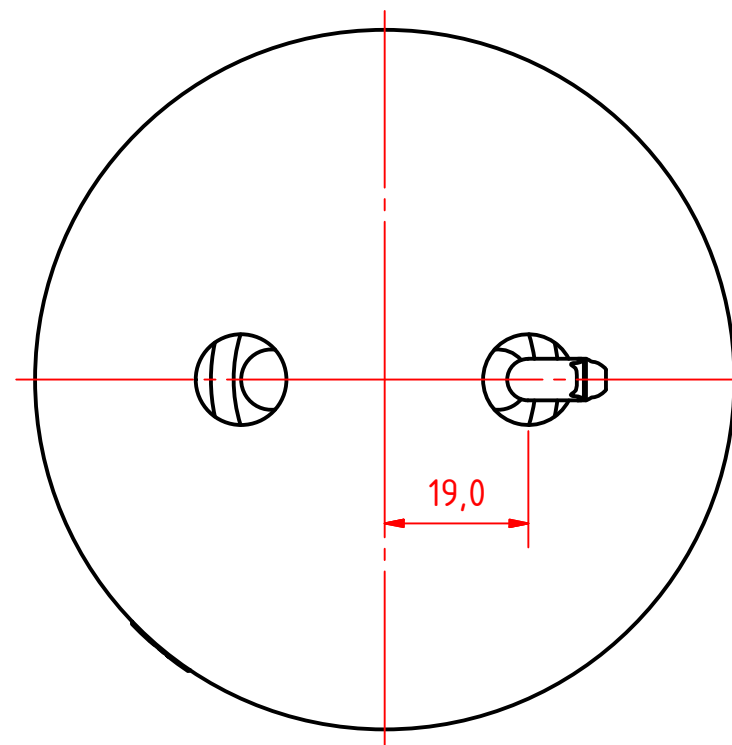
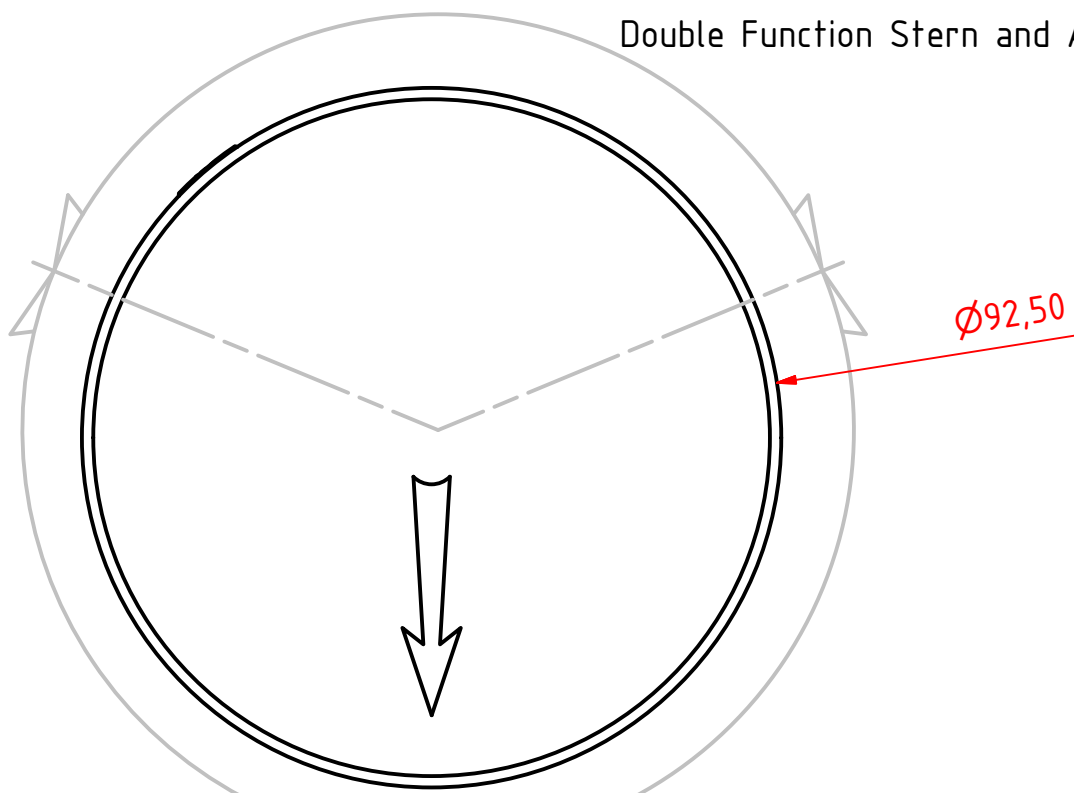
- **1 Navigation light, pre-cabled with 0,7m marine grade cable**
- **3 Mounting screws (M4 x 30 mm)**
- **Installation instructions**



**Note:**

The PE Plastic base is intended for fitting on site and can be either drilled for mounting screws from above or drilled and tapped from below. 6mm machine screws with nuts and washers are recommended for secure mounting.

135° White  
Double Function Stern and Anchor

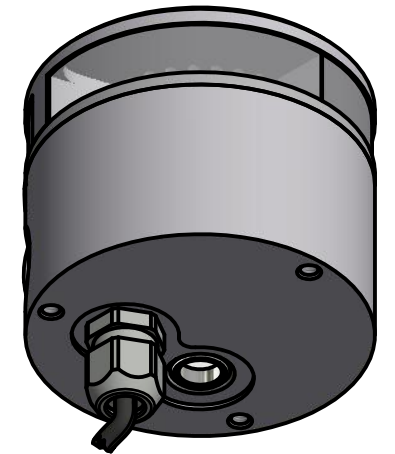
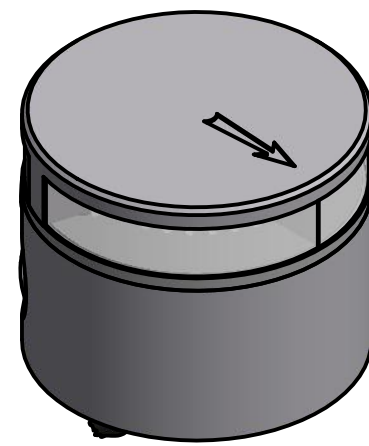
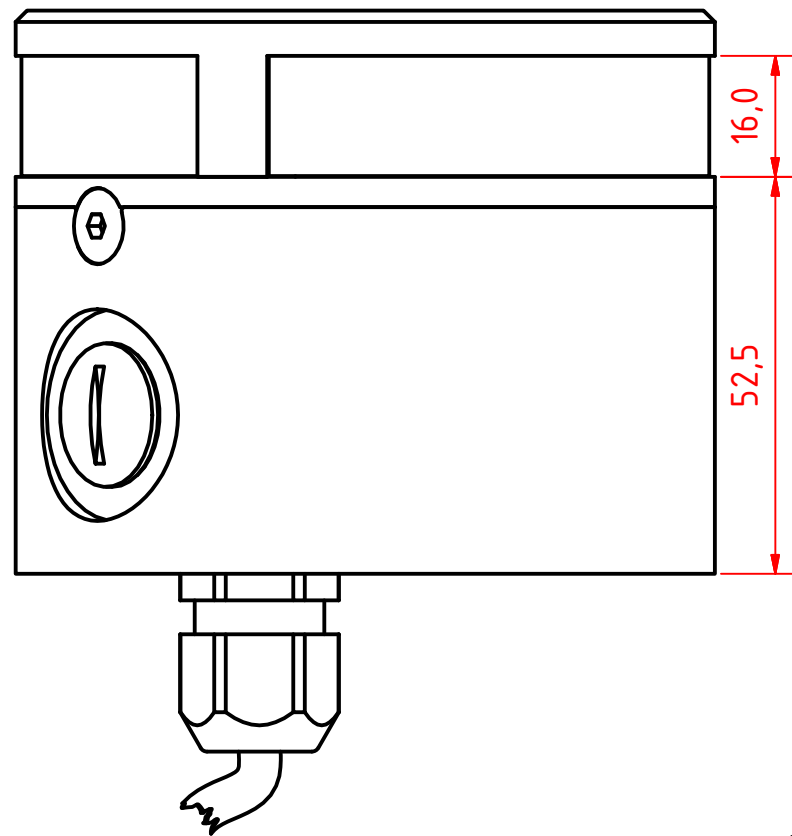
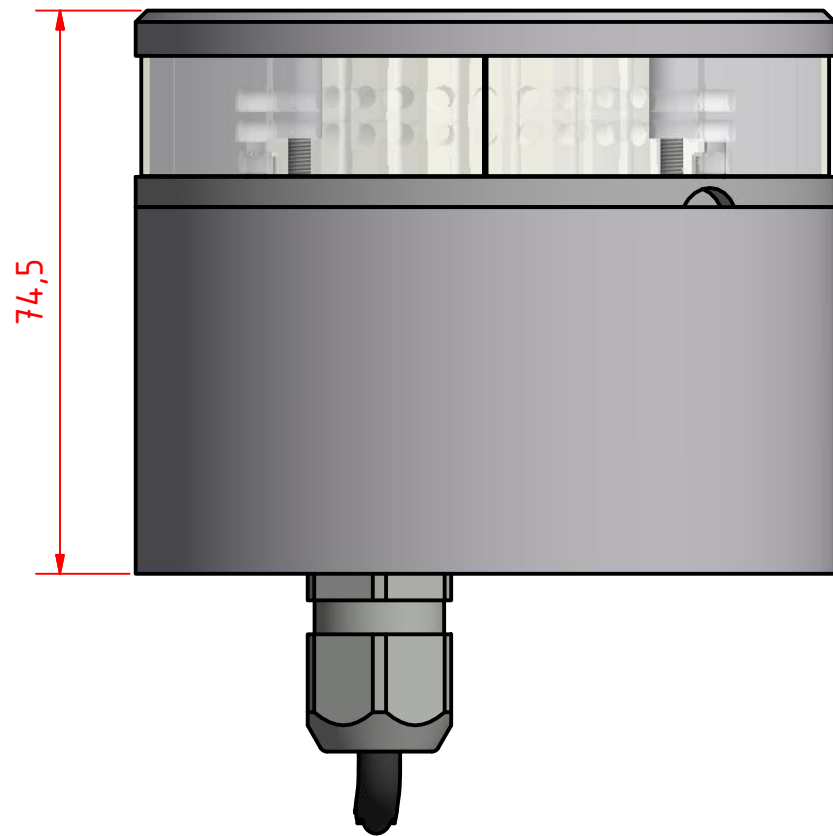


225° White Anchor Only

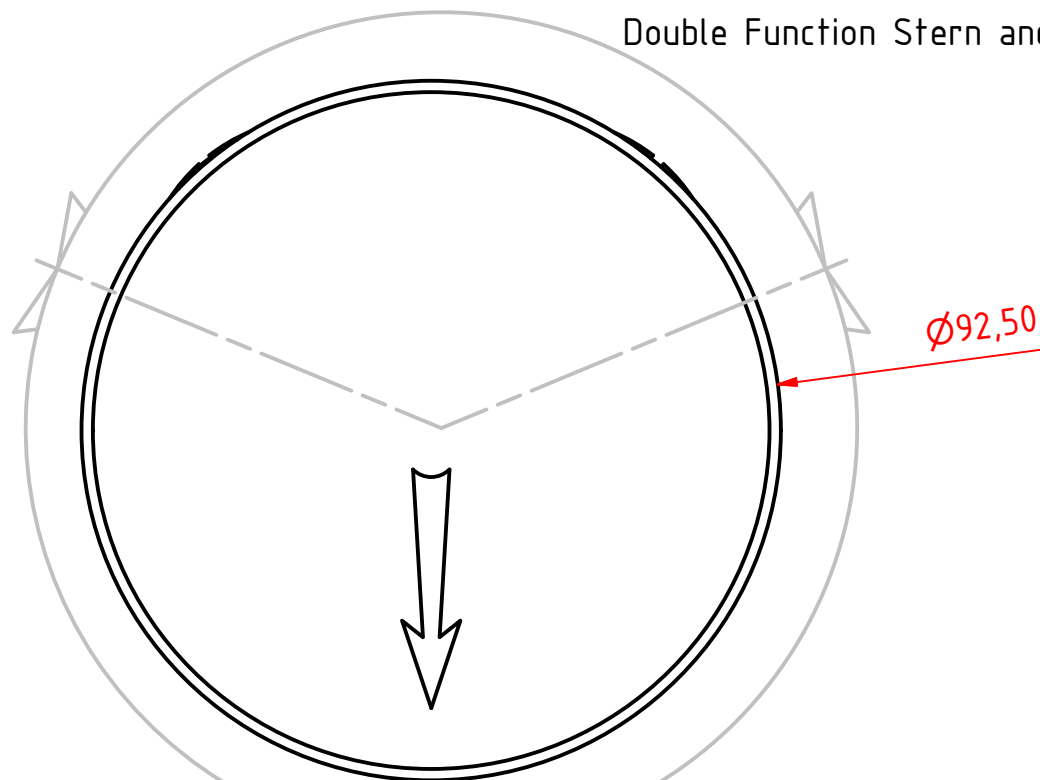
200-021, 3 nm Steaming light & 2 nm anchor, PE base, Cable Down.			
DRAWING NO.: 200-021AB	REV. NO.: 0	SIZE: A3	DRAWN BY: Sergio
SCALE: 1:1	TOLERANCES: DS/ISO 2768-f	REVIEWED BY:	CREATION DATE: 09-01-2017
MATERIAL DESCRIPTION: Alu EN 6082, Acrylic, PE (20µ) Silver anodized according to EN ISO 7599 (50µ) Black anodized according to MIL-A 8625F			
This Drawing, and the information within, is the property of Lopolight ApS and may not be used in any form without express permission there from. Lopolight reserves the right to change this drawing and assumes no liability for the information communicated herein. Use of dimensions and other information in this drawing is at the users own risk.			

**LOPOLIGHT**  
 Lopolight ApS  
 Ved Klaedebo 12  
 DK-2970, Hoersholm  
 Denmark  
 www.lopolight.com  
 Tel:(+45) 32 48 50 30 Fax:(+45) 32 48 50 32  
 info@lopolight.com

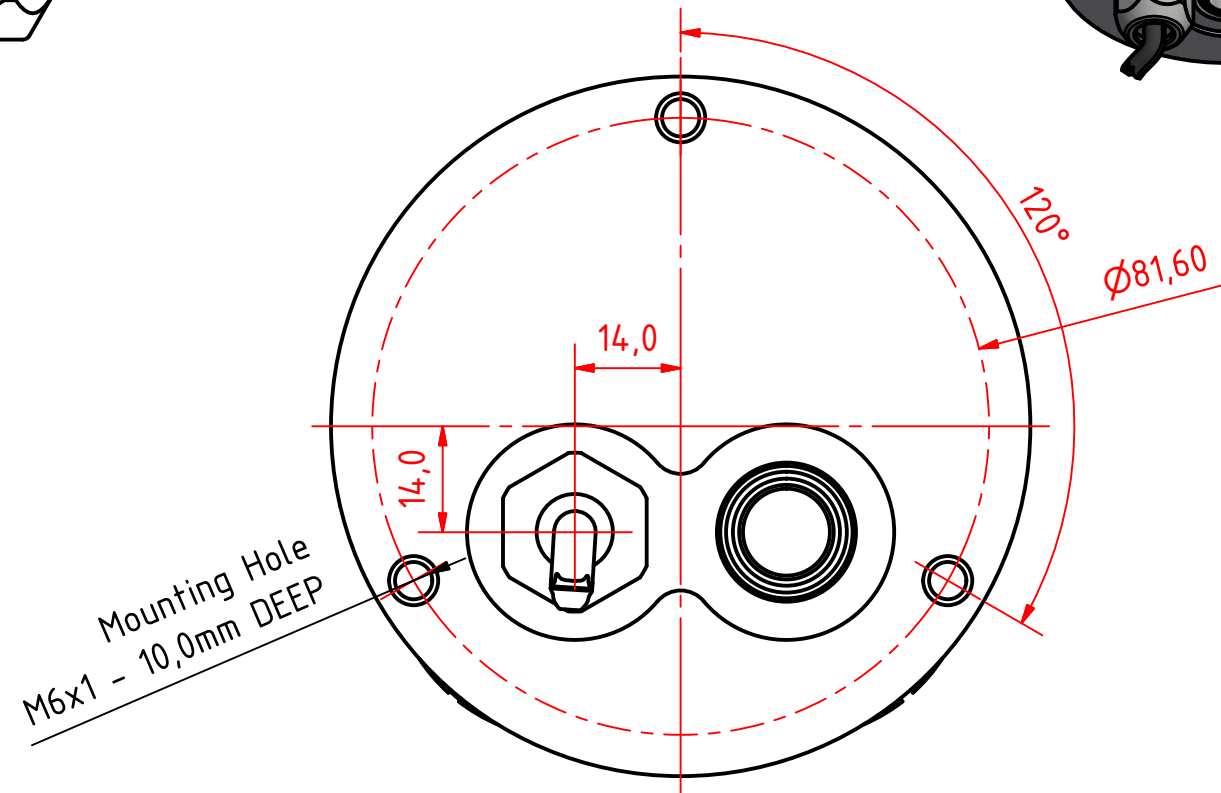




135° White  
Double Function Stern and Anchor



225° White Anchor Only



Mounting Hole  
M6x1 - 10,0mm DEEP

50MM AT A3

200-021, 3 nm Steaming light & 2 nm anchor, 400-034 Promount, Cable Down.

DRAWING NO.: <b>200-021BB</b>	REV. NO.: <b>0</b>	SIZE: <b>A3</b>	DRAWN BY: <b>Sergio</b>
SCALE: <b>1:1</b>	TOLERANCES: <b>DS/ISO 2768-f</b>	REVIEWED BY:	CREATION DATE: <b>09-01-2017</b>

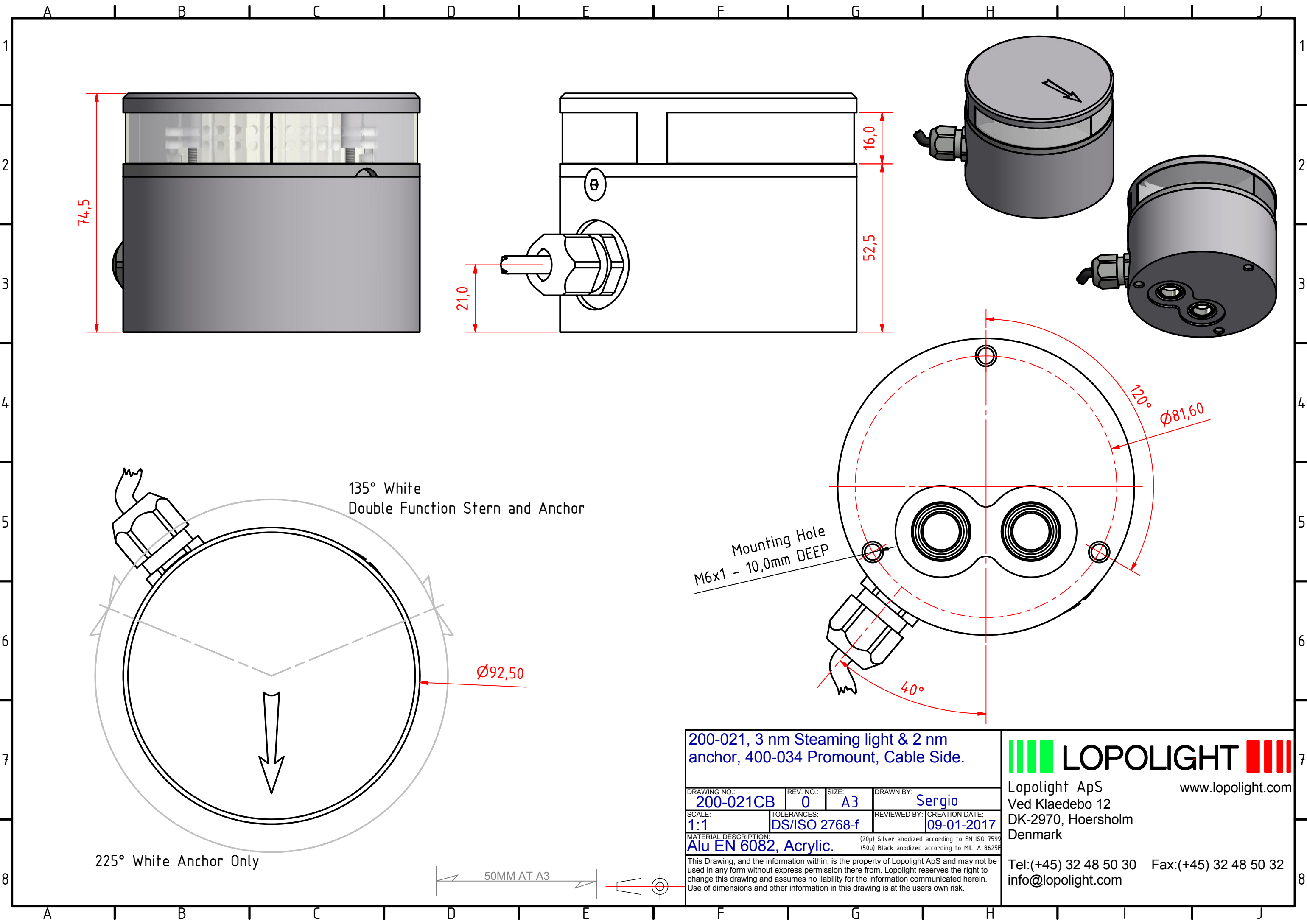
MATERIAL DESCRIPTION:  
**Alu EN 6082, Acrylic.** (20µ) Silver anodized according to EN ISO 7599 (50µ) Black anodized according to MIL-A 8625F

This Drawing, and the information within, is the property of Lopolight ApS and may not be used in any form without express permission there from. Lopolight reserves the right to change this drawing and assumes no liability for the information communicated herein. Use of dimensions and other information in this drawing is at the users own risk.



Lopolight ApS  
Ved Klaedebo 12  
DK-2970, Hoersholm  
Denmark  
www.lopolight.com

Tel:(+45) 32 48 50 30 Fax:(+45) 32 48 50 32  
info@lopolight.com



135° White  
Double Function Stern and Anchor

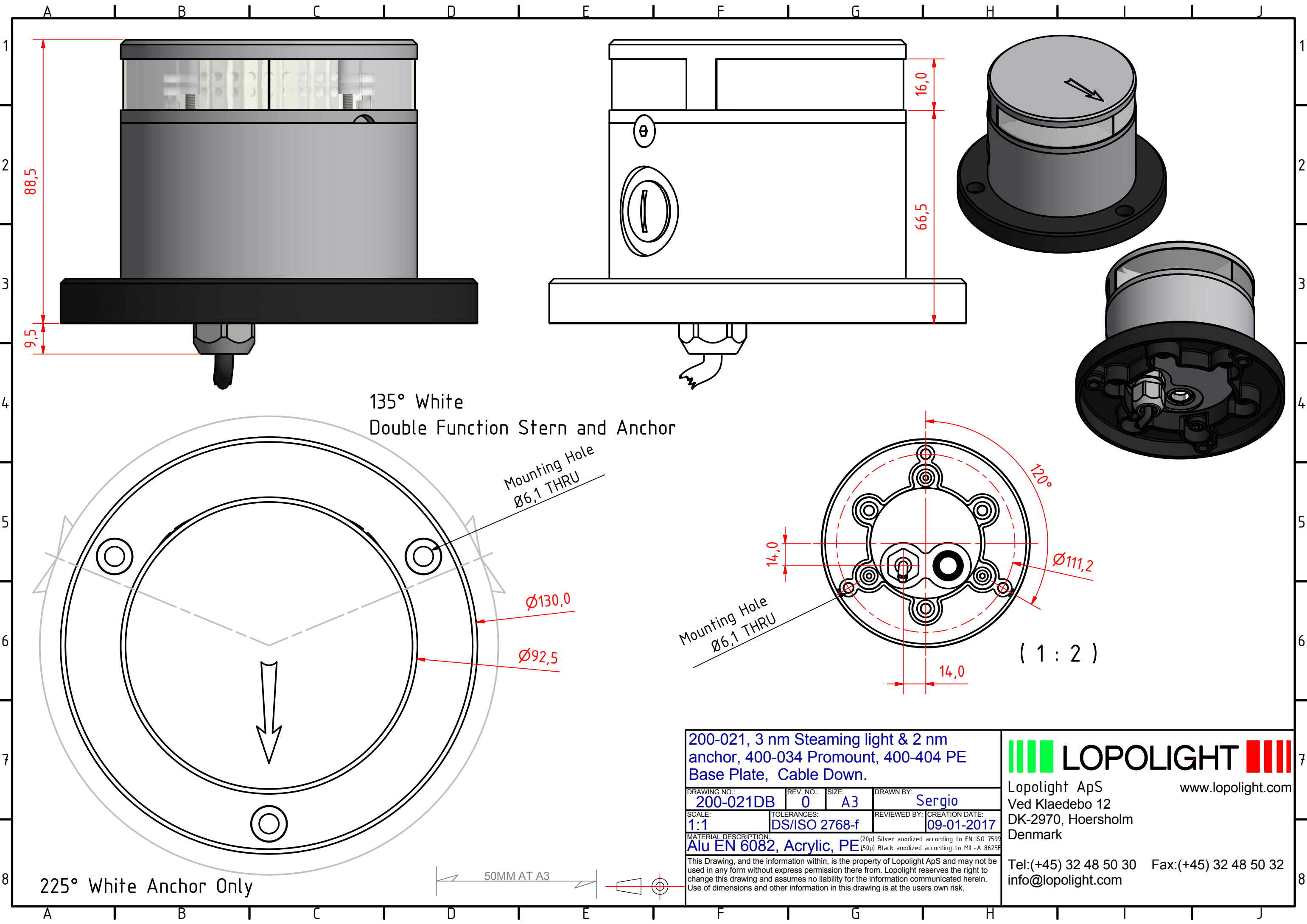
225° White Anchor Only

**200-021, 3 nm Steaming light & 2 nm anchor, 400-034 Promount, Cable Side.**

DRAWING NO.: <b>200-021CB</b>	REV. NO.: <b>0</b>	SIZE: <b>A3</b>	DRAWN BY: <b>Sergio</b>
SCALE: <b>1:1</b>	TOLERANCES: <b>DS/ISO 2768-f</b>	REVIEWED BY:	CREATION DATE: <b>09-01-2017</b>
MATERIAL DESCRIPTION: <b>Alu EN 6082, Acrylic.</b> (20µ) Silver anodized according to EN ISO 7599 (50µ) Black anodized according to MIL-A 8625F			
This Drawing, and the information within, is the property of Lopolight ApS and may not be used in any form without express permission therefrom. Lopolight reserves the right to change this drawing and assumes no liability for the information communicated herein. Use of dimensions and other information in this drawing is at the users own risk.			

**LOPOLIGHT**  
 Lopolight ApS [www.lopolight.com](http://www.lopolight.com)  
 Ved Klaedebo 12  
 DK-2970, Hoersholm  
 Denmark  
 Tel:(+45) 32 48 50 30 Fax:(+45) 32 48 50 32  
 info@lopolight.com





135° White  
Double Function Stern and Anchor

225° White Anchor Only

200-021, 3 nm Steaming light & 2 nm anchor, 400-034 Promount, 400-404 PE Base Plate, Cable Down.			
DRAWING NO.: 200-021DB	REV. NO.: 0	SIZE: A3	DRAWN BY: Sergio
SCALE: 1:1	TOLERANCES: DS/ISO 2768-f	REVIEWED BY:	CREATION DATE: 09-01-2017
MATERIAL DESCRIPTION: Alu EN 6082, Acrylic, PE (20µ) Silver anodized according to EN ISO 7599 (50µ) Black anodized according to MIL-A 8625F			
This Drawing, and the information within, is the property of Lopolight ApS and may not be used in any form without express permission there from. Lopolight reserves the right to change this drawing and assumes no liability for the information communicated herein. Use of dimensions and other information in this drawing is at the users own risk.			

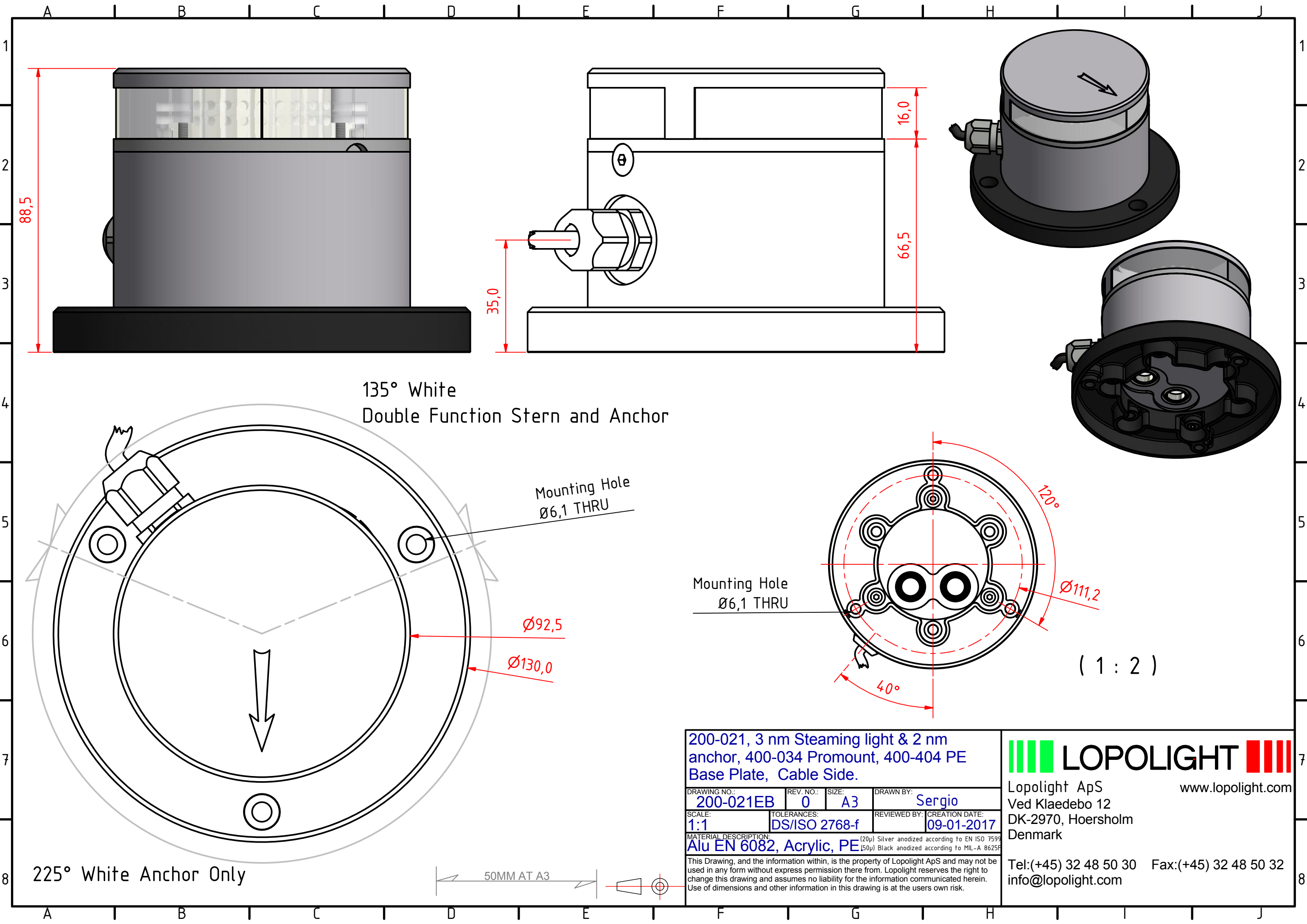
**LOPOLIGHT**

Lopolight ApS  
Ved Klaedebo 12  
DK-2970, Hoersholm  
Denmark

www.lopolight.com

Tel:(+45) 32 48 50 30 Fax:(+45) 32 48 50 32  
info@lopolight.com

50MM AT A3



135° White  
Double Function Stern and Anchor

225° White Anchor Only

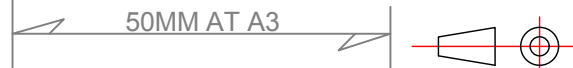
200-021, 3 nm Steaming light & 2 nm anchor, 400-034 Promount, 400-404 PE Base Plate, Cable Side.			
DRAWING NO.: 200-021EB	REV. NO.: 0	SIZE: A3	DRAWN BY: Sergio
SCALE: 1:1	TOLERANCES: DS/ISO 2768-f	REVIEWED BY:	CREATION DATE: 09-01-2017
MATERIAL DESCRIPTION: Alu EN 6082, Acrylic, PE (20µ) Silver anodized according to EN ISO 7599 (50µ) Black anodized according to MIL-A 8625F			
This Drawing, and the information within, is the property of Lopolight ApS and may not be used in any form without express permission therefrom. Lopolight reserves the right to change this drawing and assumes no liability for the information communicated herein. Use of dimensions and other information in this drawing is at the users own risk.			

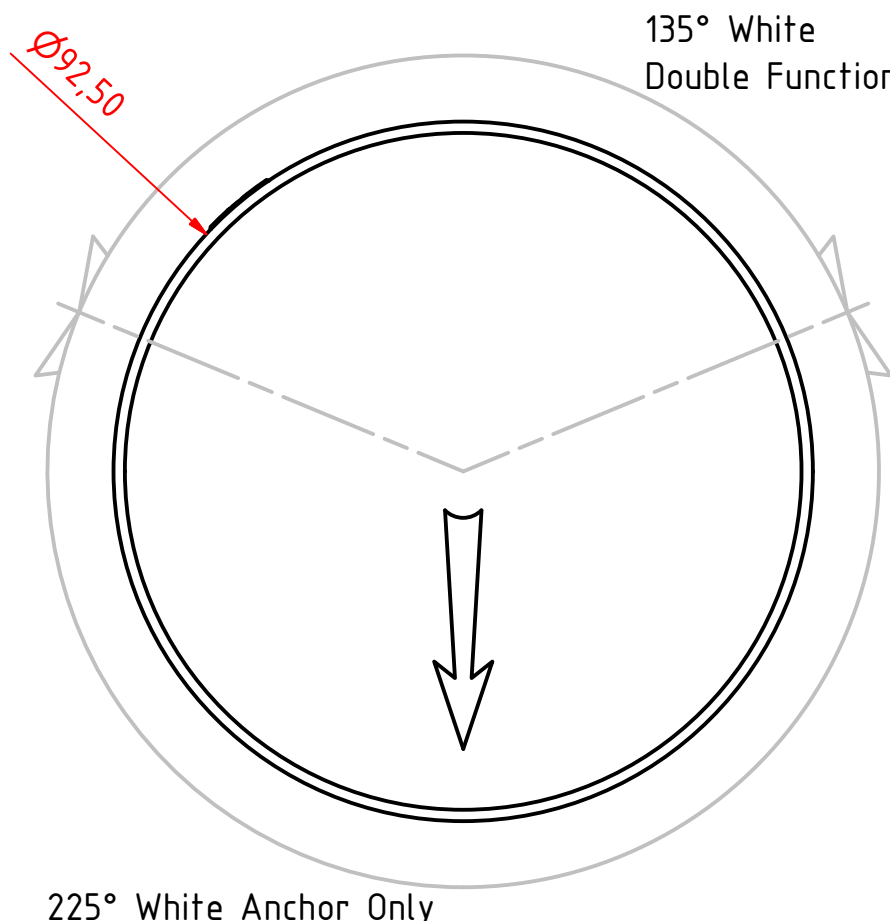
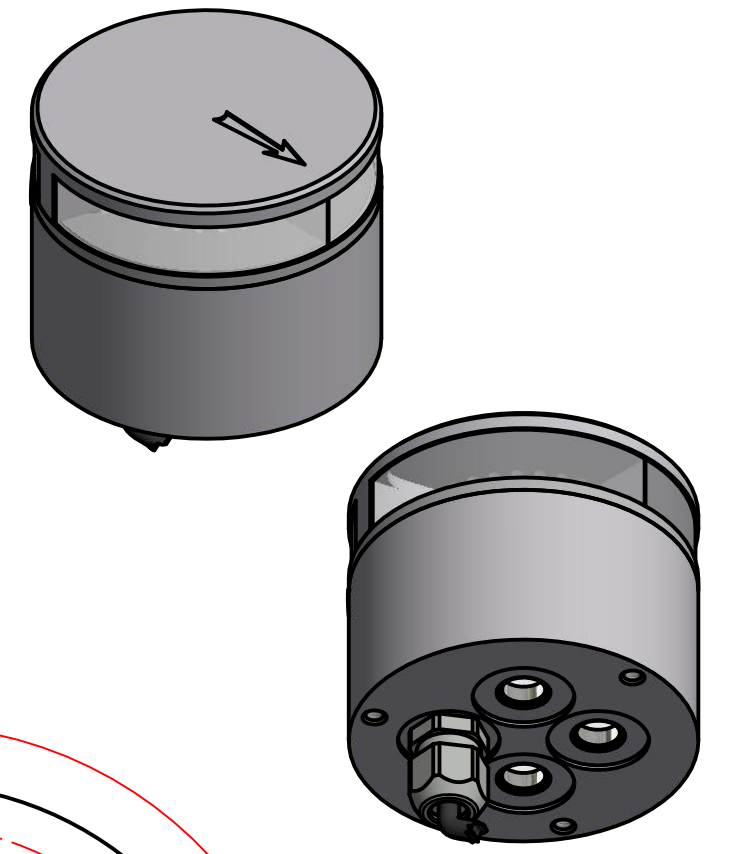
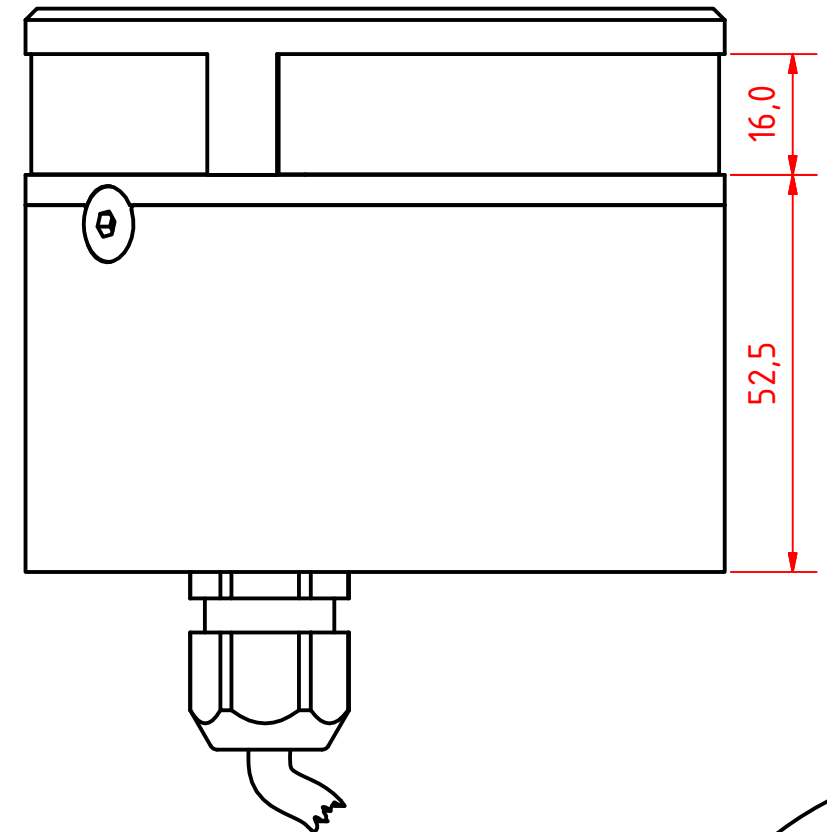
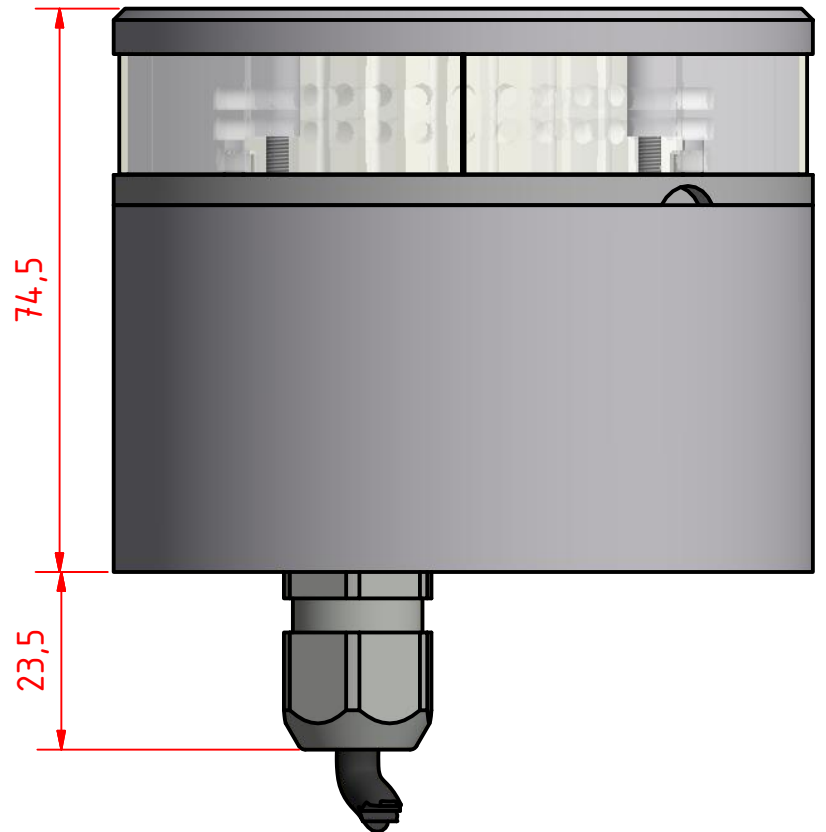
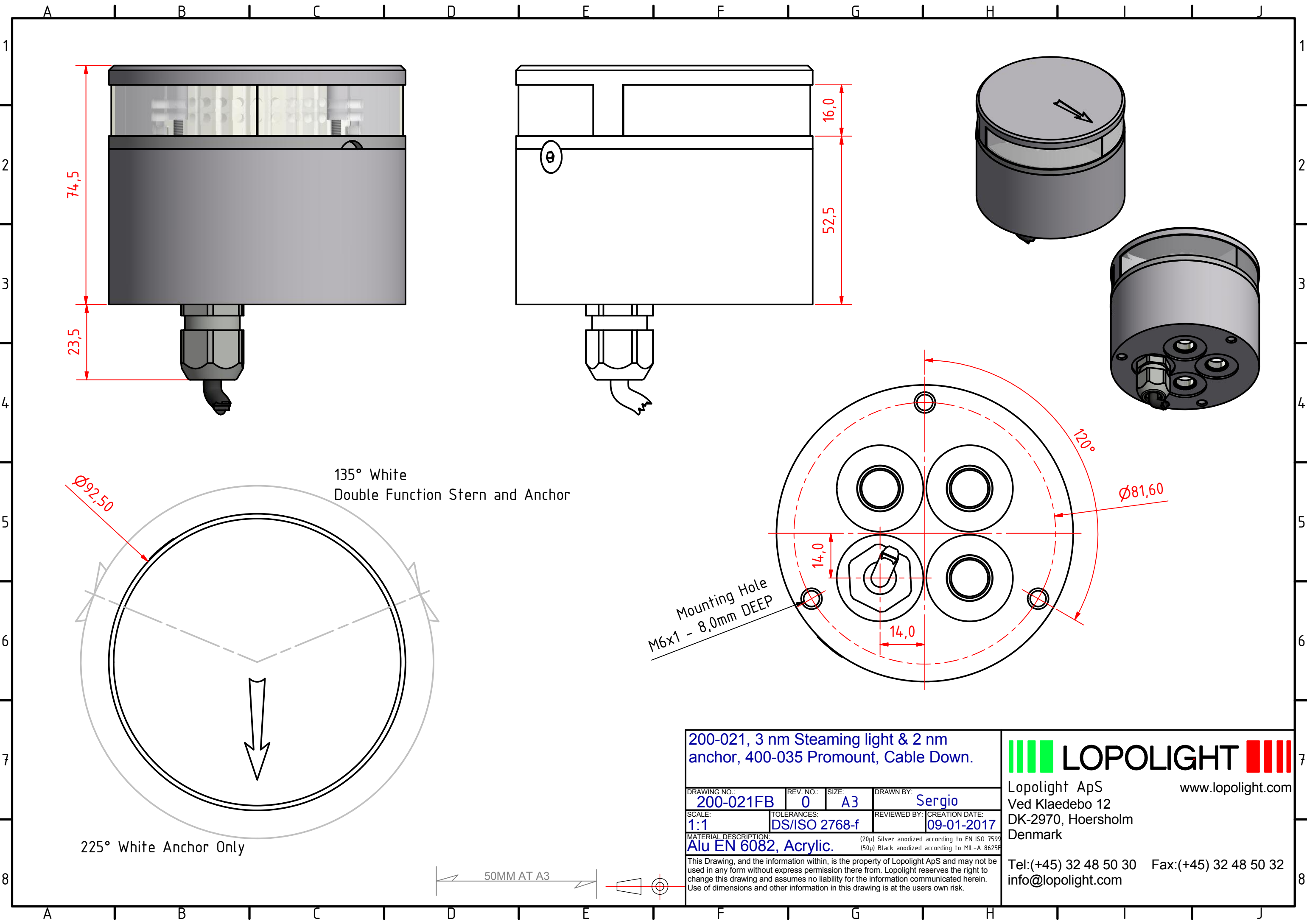
**LOPOLIGHT**

Lopolight ApS  
Ved Klaedebo 12  
DK-2970, Hoersholm  
Denmark

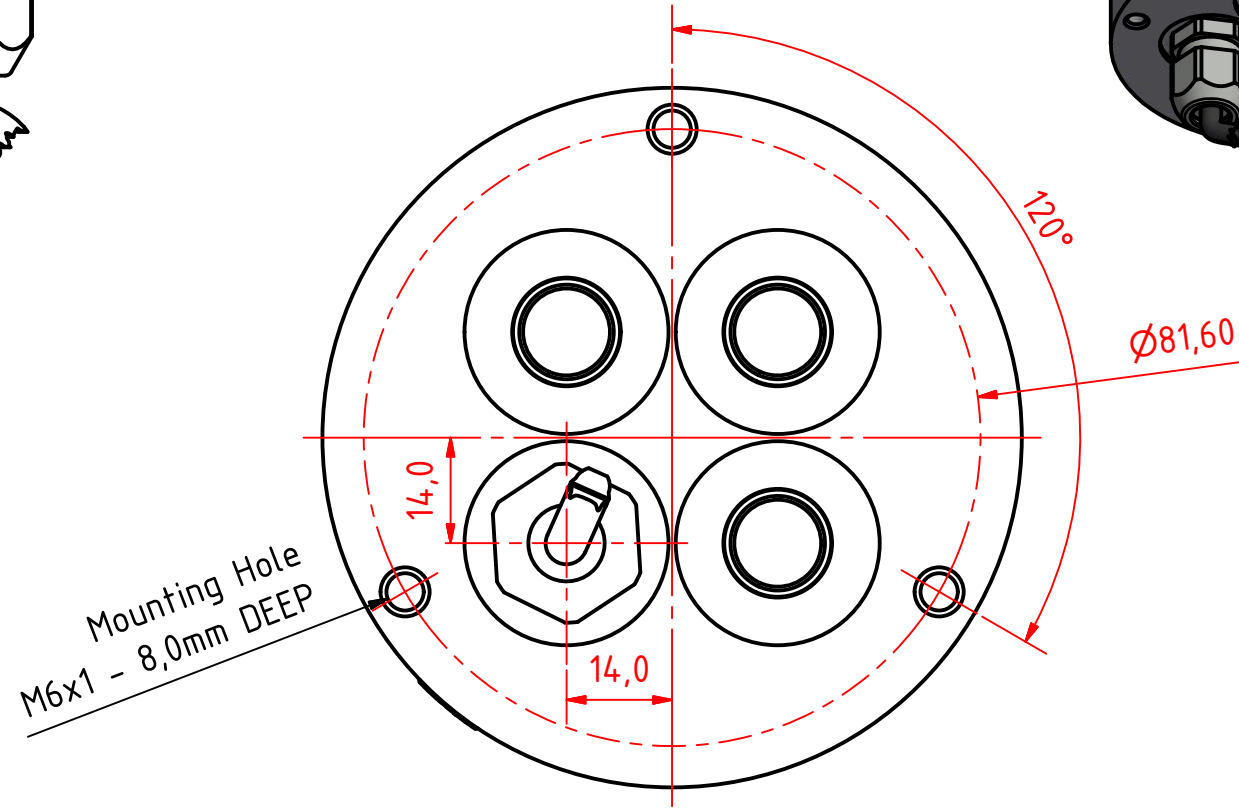
www.lopolight.com

Tel:(+45) 32 48 50 30 Fax:(+45) 32 48 50 32  
info@lopolight.com





135° White  
Double Function Stern and Anchor



225° White Anchor Only

200-021, 3 nm Steaming light & 2 nm anchor, 400-035 Promount, Cable Down.

DRAWING NO.: <b>200-021FB</b>	REV. NO.: <b>0</b>	SIZE: <b>A3</b>	DRAWN BY: <b>Sergio</b>
SCALE: <b>1:1</b>	TOLERANCES: <b>DS/ISO 2768-f</b>	REVIEWED BY:	CREATION DATE: <b>09-01-2017</b>
MATERIAL DESCRIPTION: <b>Alu EN 6082, Acrylic.</b>			

(20µ) Silver anodized according to EN ISO 7599  
(50µ) Black anodized according to MIL-A 8625F  
This Drawing, and the information within, is the property of Lopolight ApS and may not be used in any form without express permission there from. Lopolight reserves the right to change this drawing and assumes no liability for the information communicated herein. Use of dimensions and other information in this drawing is at the users own risk.

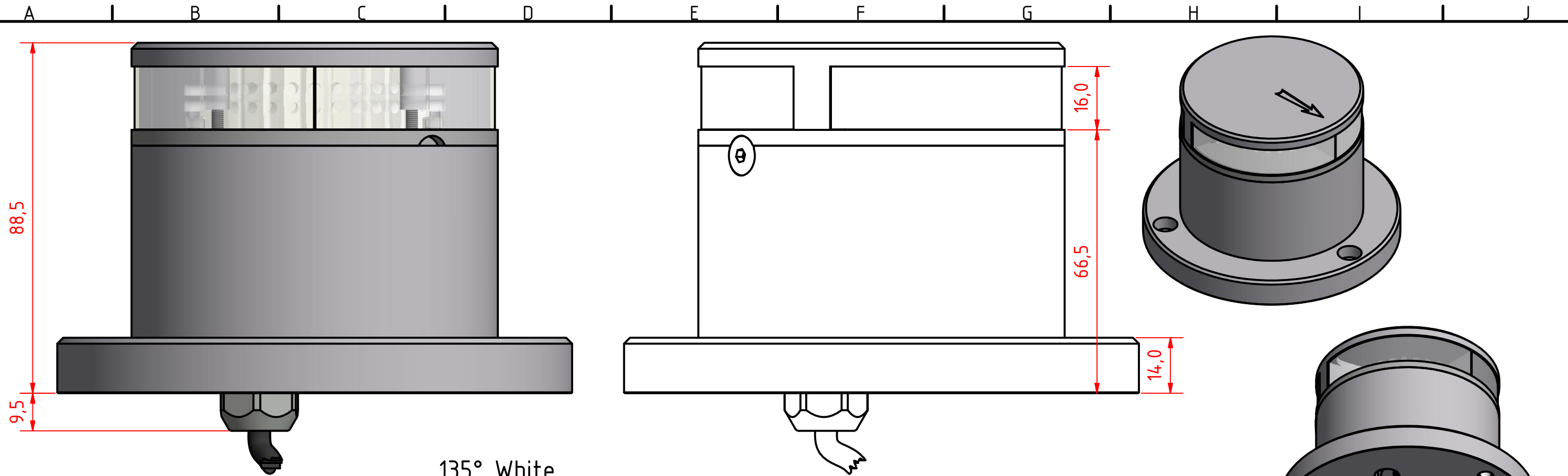


Lopolight ApS  
Ved Klaedebo 12  
DK-2970, Hoersholm  
Denmark  
www.lopolight.com

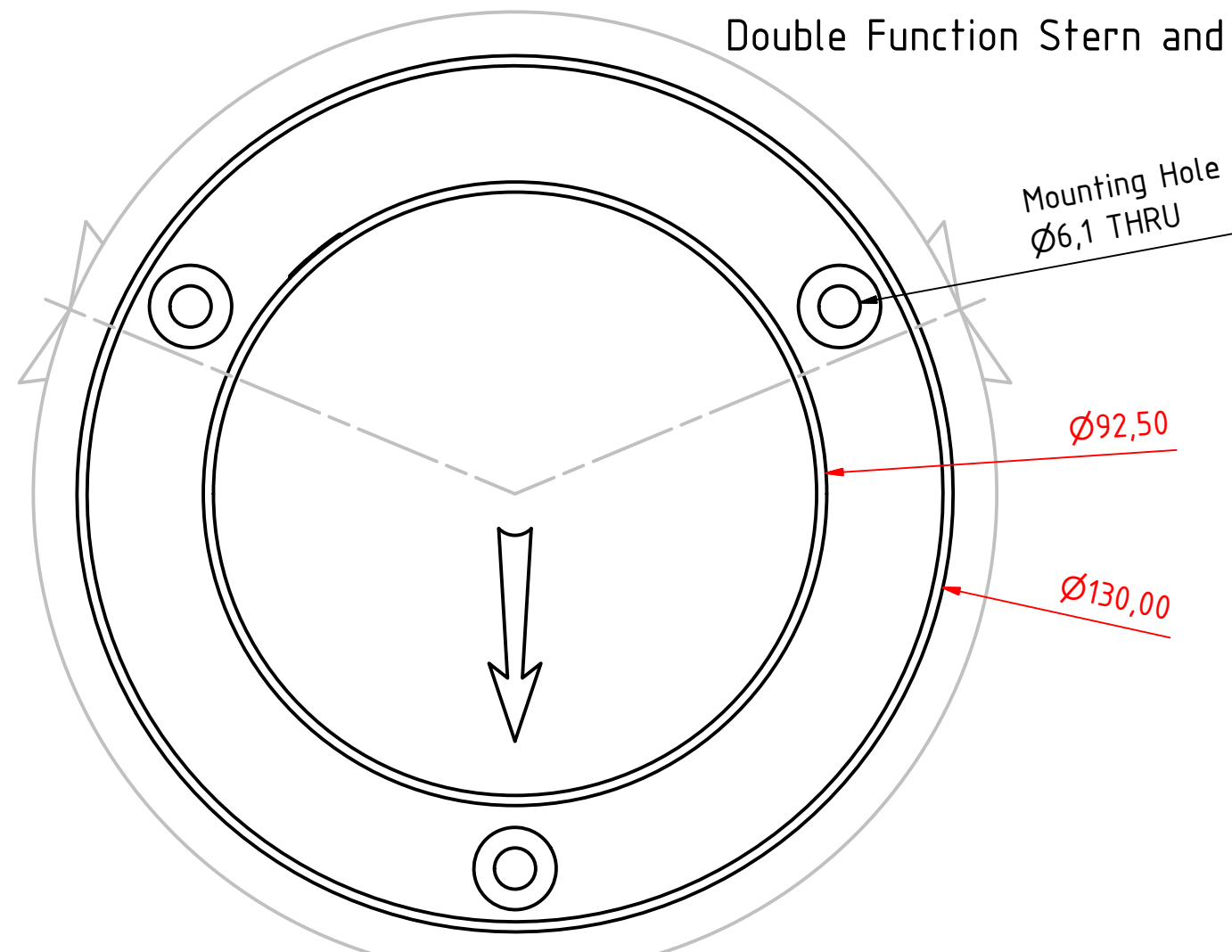
Tel:(+45) 32 48 50 30 Fax:(+45) 32 48 50 32  
info@lopolight.com



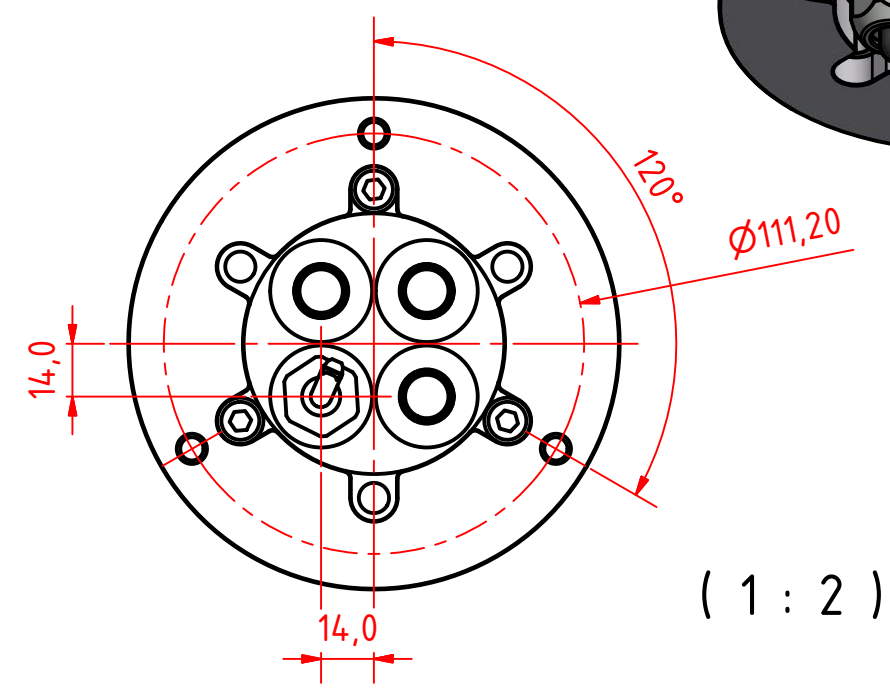




135° White  
Double Function Stern and Anchor



225° White Anchor Only

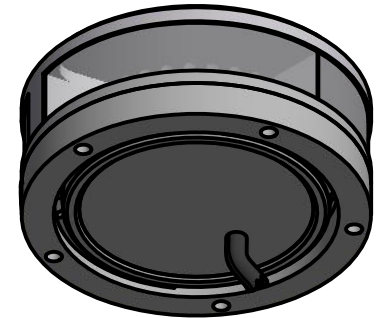
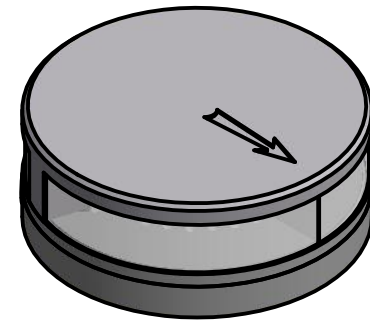
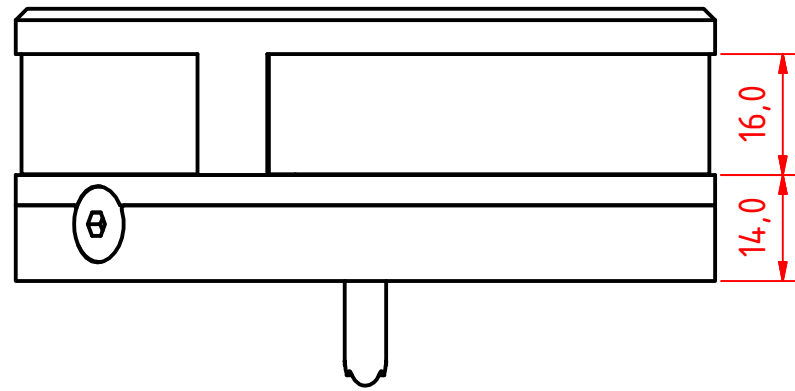
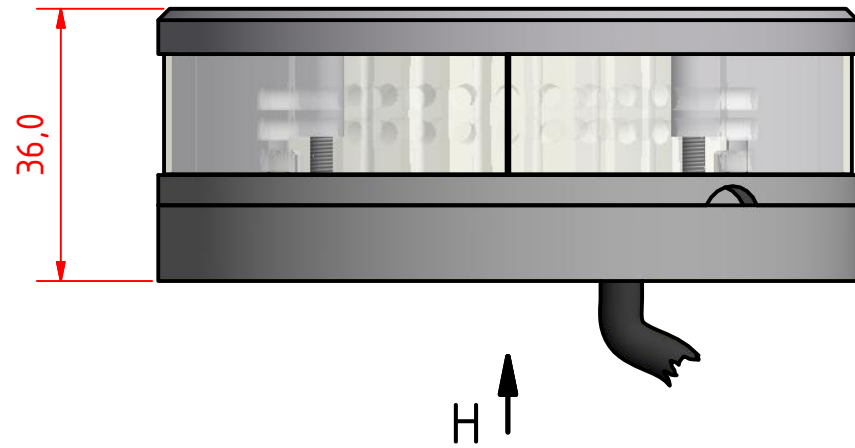


( 1 : 2 )

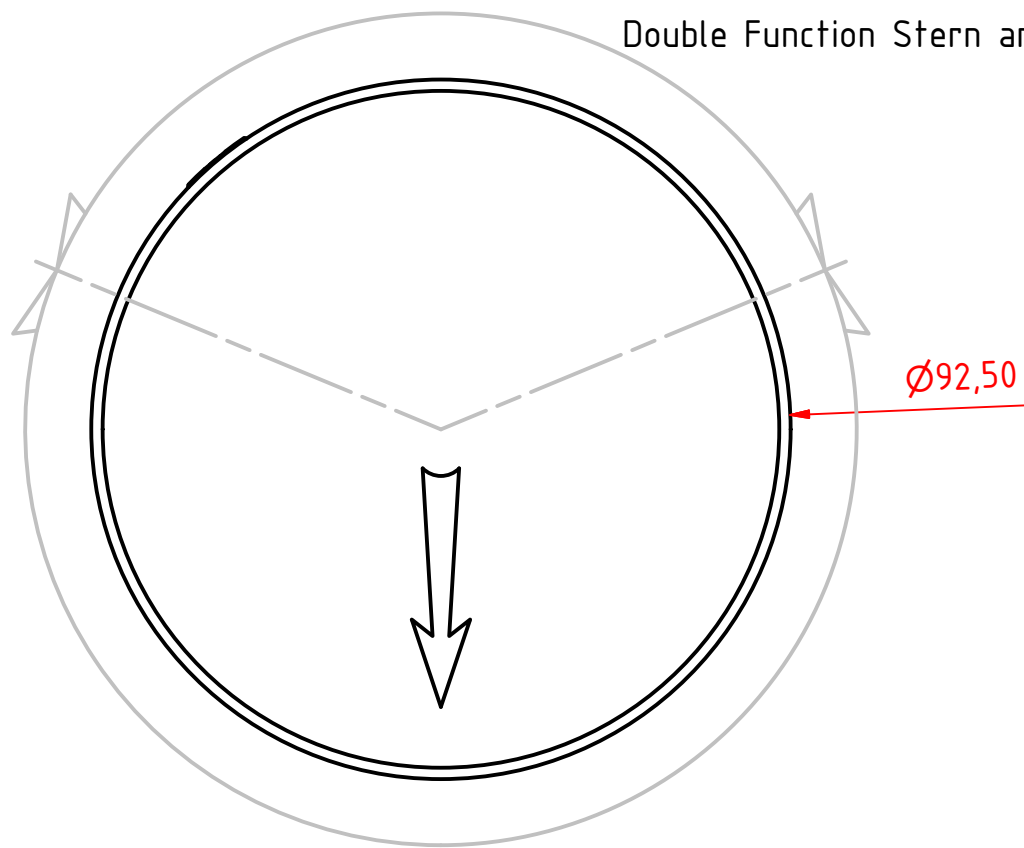
50MM AT A3

200-021, 3 nm Steaming light & 2 nm anchor, 400-035 Promount, 400-401 Alu Base Plate, Cable Down.			
DRAWING NO.: 200-021GB	REV. NO.: 0	SIZE: A3	DRAWN BY: Sergio
SCALE: 1:1	TOLERANCES: DS/ISO 2768-f	REVIEWED BY:	CREATION DATE: 09-01-2017
MATERIAL DESCRIPTION: Alu EN 6082, Acrylic. (20µ) Silver anodized according to EN ISO 7599 (50µ) Black anodized according to MIL-A 8625F			
This Drawing, and the information within, is the property of Lopolight ApS and may not be used in any form without express permission therefrom. Lopolight reserves the right to change this drawing and assumes no liability for the information communicated herein. Use of dimensions and other information in this drawing is at the users own risk.			

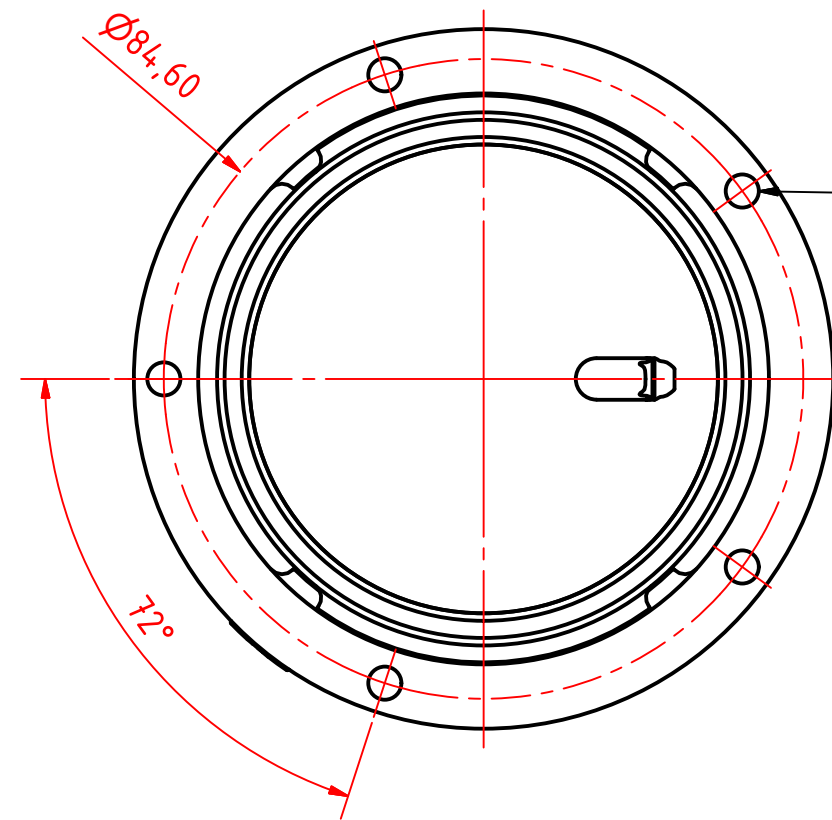
**LOPOLIGHT**  
 Lopolight ApS  
 Ved Klaedebo 12  
 DK-2970, Hoersholm  
 Denmark  
 www.lopolight.com  
 Tel:(+45) 32 48 50 30 Fax:(+45) 32 48 50 32  
 info@lopolight.com



135° White  
Double Function Stern and Anchor



225° White Anchor Only



Mounting Hole  
Ø4,4 THRU

H ( 1 : 1 )

200-021 3nm Steaming light w/ 2nm anchor  
light on a low profile base

DRAWING NO.: 200-021HB	REV. NO.: 0	SIZE: A3	DRAWN BY: Sergio
SCALE: 1:1	TOLERANCES: DS/ISO 2768-f	REVIEWED BY:	CREATION DATE: 09-01-2017

MATERIAL DESCRIPTION:  
Alu EN 6082, Acrylic (20µ) Silver anodized according to EN ISO 7599  
(50µ) Black anodized according to MIL-A 8625F

This Drawing, and the information within, is the property of Lopolight ApS and may not be used in any form without express permission there from. Lopolight reserves the right to change this drawing and assumes no liability for the information communicated herein. Use of dimensions and other information in this drawing is at the users own risk.



Lopolight ApS  
Ved Klaedebo 12  
DK-2970, Hoersholm  
Denmark  
www.lopolight.com

Tel:(+45) 32 48 50 30 Fax:(+45) 32 48 50 32  
info@lopolight.com

50MM AT A3

