

# Anhydrous Ammonia Catalog



# Table Of Contents

• A1661 Flo-Trol & Parts	9
• Acme Adaptors	14
• Acme Caps and Plugs	15
• Angle Valves	3
• Back Check Valves	19
• Baldor Motors	33
• Ball Valves	21
• Blackmer Pumps & Parts	32-33
• Bleeder Valves	18
• Bypass Valves	34
• Container Thermometers	23
• Corken Pumps & Parts	28-31
• Emergency Shutoff Valves & Accessories	24
• Equa-Flo Manifolds	8
• Excess Flow Valves	19
• Filler Couplings	15
• Flo-Max Safety Couplers	6-7
• Flo-Safe Nurse Tank ESV	7
• Flow Indicators	41
• Flow Splitters	8
• Full Flow Y Fitting	23
• Gaskets & O-Rings	50
• Gauge Snubber	23
• Globe Valves	2
• Hi-Flow Hose End Valve Assemblies	4
• Hi-Flow Hose End Valves	4
• Hi-Flow Nurse Tank Valves	10
• Hose Buddies	20
• Internal Valves, Actuators, & Accessories	25-27
• Jr. Float Gauges	40
• Liquid Level Vent Valves	18
• Manifold Nipples	8
• Manifold Parts	8-9
• Master Gauges	42-43

• MISC. & RB Coupling Parts	50
• Needle Valves	18
• NH3 CFM Chart & Properties	51
• NH3 Gauge Dials	48-49
• N-Serve Stainless Steel Gauges	39
• Parking Plugs	18
• Pipe Strainer	22
• PR 4 Passive Hose Shutdown	20
• Pressure Gauges	23
• Relief Valve Manifold	12
• Relief Valves & Adaptors	12-13
• Reusable Hose Couplings	21
• Riser Valves	11
• RoadMaster Gauges	44-45
• Rotary Gauges	47
• RotaSeal	5
• Schedule 80 Steel Fittings	36-37
• Sight Glass Fittings	35
• SkyTrak	1
• Snap Acting Hose End Valves	5
• Spanner Wrench	22
• Sr. Float Gauges	38
• SS Flex Connectors	22
• Swivel Unions	21
• Tank Fittings Chart	52
• Tank Service Valves	11
• The Eliminator™ Gauge	46
• Transfer Area Bulkhead	16
• TriPod Pull-Aways	16-17
• Two-Bolt Clamp Hose Couplings	21
• Valve Locks	23
• View Safe	8
• Wheel Chock	22
• Y-Strainers	22

Visit our Website @ [www.squibbtaylor.com](http://www.squibbtaylor.com) for Updates, Changes, New Products & IOM Manual - (Installation, Operation, & Maintenance Instructions)

# SkyTrak - GPS Speed Sensor



- 16 Channel GPS WAAS Enabled GPS Receiver
- Acquisition Rate - less than one minute
- Magnet Mount
- Cable Length - 15'



DICKY-john® Plug - 4 Pin



Raven Plug - 3 Pin

SkyTrak 7Hz Model		
Item Number	Part Number	Connector Type
113587	SK2-1007-D	DICKY-john®
113588	SK2-1007-R	Raven

Updates 7 times per second.



SkyTrak 7Hz



Back of Power / Status Indicator

SkyTrak 1Hz Model		
Item Number	Part Number	Connector Type
113580	SK2-1001-D	DICKY-john®
113581	SK2-1001-R	Raven

Updates 1 time per second.



SkyTrak 1Hz

Globe Valves					
Item Number	Part Number	Inlet & Outlet	Repair Kit	Bonnet Assembly	Stem & Disc Assembly
110250	AL306P	1/2" FNPT	308-22	308-25	308-26
110255	AL308P	3/4" FNPT			
110280	AL310P	1" FNPT	310-22	310-25	310-26
110320	AL312P	1-1/4" FNPT	312-22	312-25	312-26
110355	AL314P	1-1/2" FNPT	314-22	314-25	314-26
110375	AL316P	2" FNPT	316-22	316-25	316-26
110378	AL316FP	2" ANSI Flange			
110415	AL320P	3" FNPT	320-22	320-25	320-26
110420	AL320FP	3" ANSI Flange			
Economy					
110535	AL410P	1/2" FNPT	410-21	410-25	410-23
110555	AL412P	3/4" FNPT			



Repair Kit



4 Bolt  
Bonnet Assembly  
(includes body gasket not shown)



Threaded



Stem & Disc Assembly  
(includes body gasket not shown)



# Angle Valves



Angle Valves					
Item Number	Part Number	Inlet & Outlet	Repair Kit	Bonnet Assembly	Stem & Disc Assembly
110252	AL307P	1/2" FNPT	308-22	308-25	308-26
110260	AL309P	3/4" FNPT			
110300	AL311P	1" FNPT	310-22	310-25	310-26
110335	AL313P	1-1/4" FNPT	312-22	312-25	312-26
110365	AL315P	1-1/2" FNPT	314-22	314-25	314-26
110395	AL317P	2" FNPT	316-22	316-25	316-26
110398	AL317FP	2" ANSI Flange			
110425	AL321P	3" FNPT	320-22	320-25	320-26
110429	AL321FP	3" ANSI Flange			
Economy					
110540	AL411P	1/2" FNPT	410-21	410-25	410-23
110565	AL413P	3/4" FNPT			



AL411P



AL311P



AL317P



AL321FP



Repair Kit



4 Bolt

Bonnet Assembly  
(includes body gasket not shown)



Threaded



Stem & Disc Assembly  
(includes body gasket not shown)

Hi-Flow Hose End Globe Valves					
Item Number	Part Number	Inlet	Outlet	Body Material	Repair Kit
110333	A329AL	1" FNPT	1" FNPT	Aluminum	329-22
110334	A330		1-1/4" FNPT	Ductile Iron	330-22
110336	A331	Aluminum		333-22	
110338	A333AL			1-1/2" FNPT	1-1/2" FNPT
110337	A334AL	1-1/2" FNPT	1-1/2" FNPT		



A331P



A334AL

Hi-Flow Hose End Valve Assemblies					
Item Number	Part Number	Inlet	Outlet	Body Material	Repair Kit
110857	A1520	1" FNPT	1 3/4" Female Acme	Aluminum	310-22
110860	A1525	1-1/4" FNPT		Ductile Iron	330-22
110862	A1527		1-1/4" FNPT	2 1/4" Female Acme	Aluminum
110901	A1528	1-1/2" FNPT			
110906	A1529	1-1/2" FNPT			



A1520



A1525, A1527, A1528, & A1529

# Snap Acting Hose End Valves & RotaSeals



Snap Acting Hose End Valves					
Item Number	Part Number	Inlet	Outlet	Body Type	Repair Kit
110525	AL343 **	1" FNPT	1-3/4" F. Acme	Angle	343-22
110505	AL344		1" FNPT	Globe	344-22
110515	AL345		1-3/4" F. Acme	Angle	343-22
110518	AL363 *		1-1/4" FNPT		344-22
110516	AL361	1-1/4" FNPT	1-3/4" F. Acme	Angle	343-22
110517	AL362 **		1-1/4" FNPT		344-22
110521	AL366 *		1-3/4" F. Acme		343-22

\*\* Minimum Loss



RotaSeal Hose Swivel			
Item Number	Part Number	Inlet & Outlet	Repair Kit
112051	AL107	3/4" NPT	107-22
112056	AL109	1" NPT	109-22
112061	AL111	1 1/4" NPT	111-22
112066	AL112	1 1/2" NPT	112-22



1 1/4" Flo-Max Safety Coupler				
Item Number	Part Number	Part Description	Inlet	Outlet
113026	FM126-1000	FM126 Less Bracket	1 1/4" FNPT	1 1/4" FNPT
113027	FM126-1004	FM126 With RB Bracket		
113028	FM126-1006	FM126 With EZ Bracket		
113023	RB1-1002	RB Bracket	Fits FM126, FM125 & Pioneer 1" or 1 1/4"	
113019	FM126-1500	FM126 EZ Bracket		
111595	A2084	Spacer	Fits Pioneer 1" 4500-6	
111596	A2085	Spacer	Fits Pioneer 1 1/4" 4500-7	



FM126



A2085



FM126 EZ Bracket

## FM 126/125 Parts

Item Number	Part Number	Part Description
113044	FM125-0022	O-Ring & Tool Kit
113041	FM125-0023	Plunger Kit
113046	FM125-0024	O-Ring Kit
113048	FM P5-288-RO	Quad O-Ring
119395	ST 108-2003	O-Ring FM Male Tip
113012	FM1.25-2000	Safety Decal
119394	FM125-5003	Male Plug
113047	SFM126-1100	Female Half
113049	SFM126-1200	Male Half
113022	RB1-2003	Retaining Ring



RBI-1002 Bracket



FM Female Half



FM Male Half

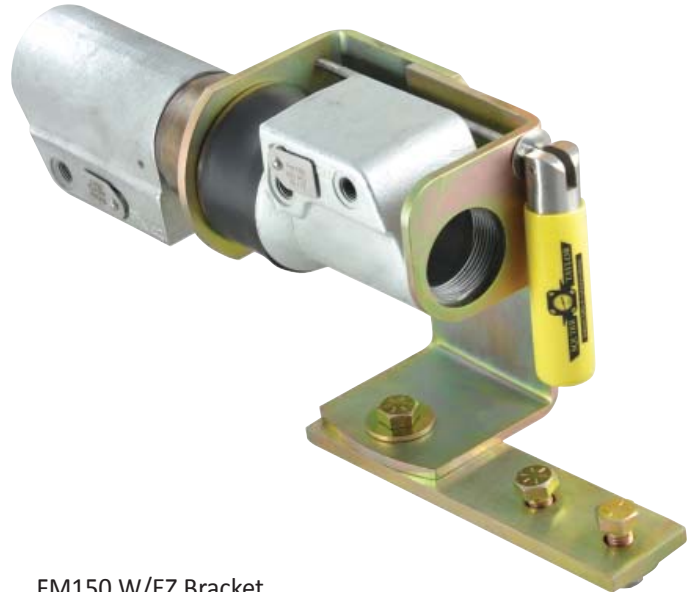


# 1 1/2" Flo-Max Coupler & Flo-Safe



1 1/2" Flo-Max Safety Coupler				
Item Number	Part Number	Part Description	Inlet	Outlet
113202	FM150-1001	FM150 With EZ Bracket	1 1/2" FNPT	1 1/2" FNPT

FM 150 Parts		
Item Number	Part Number	Part Description
113207	FM150-0022	O-Ring & Tool Kit
113208	FM150-0023	Plunger Kit
113209	FM150-0024	O-Ring Kit
113210	P5-304-R0	Quad O-Ring Male
113211	P5-305-R0	Quad O-Ring Female
113212	110-2003	O-Ring FM Male Tip
113214	FM150-2000	Safety Decal
113213	FM150-5003	Male Plug
113205	SFM150-1100	Female Half
113206	SFM150-1200	Male Half



FM150 W/EZ Bracket

Flo-Safe - Nurse Tank Electronic Emergency Shut Off			
Item Number	Part Number	Part Description	Inlet & Outlet
113400	FS125-1500	Flo-Safe Only	1 1/4" FNPT
113401	FS150-1500		1 1/2" FNPT
113405	FS125-1000	Flo-Safe - Contains Flo-Safe, Switch, 2 cables @ 15', & 1 cable @ 25'	1 1/4" FNPT
113406	FS150-1000		1 1/2" FNPT
113410	FS15-1000	15' Cable With Connectors	-----
113412	FS25-1000	25' Cable With Connectors	
113414	FS Switch	Switch With Connectors	



FS150-1500



FS Switch

## Equa-Flo Manifolds

Item Number	Part Number	Part Description
111670	A1804	21-Port Junior
111665	A1805	16-Port Sweet 16

Includes Inserts .810 (Installed from factory), .640, & .740.

## Flow Splitters

Item Number	Part Number	Part Description
111655	A1802	2-Way
111660	A1803	3-Way
111675	A1806	4-Way
111669	A1807	5-Way

## Manifold Parts

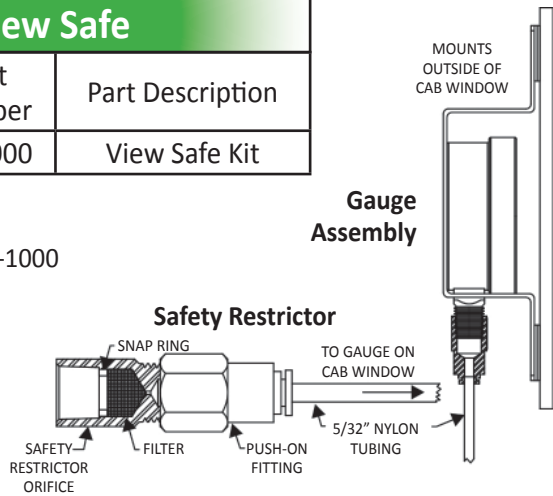
Item Number	Part Number	Part Description
111676	P5-196-RO	O-Ring
111677	A1804-2001	.810 Tall Insert
111678	A1804-2002	.640 Medium Insert
111679	A1804-2003	.470 Short Insert
111680	A1804-5004	Restrictor Cap

## View Safe

Item Number	Part Number	Part Description
111700	VS-1000	View Safe Kit



VS-1000



A1804



Splitter



A1805



A2047

## Manifold Hose Nipples

Item Number	Part Number	Number of Openings	Manifold Connection	Hose
230134	E006	1	1/4" MNPT	1/4"
111510	A2046S			3/8"
111511	A2047			7/16"

# A1661 Flo-Trol



A1661 Flo-Trol					
Item Number	Part Number	Part Description	Inlet	Maximum Flow Capacity	
				NH3	Nitrogen
111314	A1661-1000	Complete Assembly	1" MNPT	7,362 Lbs. Per Hr.	6,000 Lbs. Per Hr.
111313	A1661-1002	Without Manifold			
111316	A1661-1007	Without Shutoff Assembly (plugged)			
111317	A1661-1008	Without Shutoff & Manifold			
111318	A1661-1012	Complete Assembly With Hydraulic Shutoff			
111319	A1661-1010	Assembly With Hydraulic Shutoff, Less Manifold			



A1661-1000



A1661-1012

Flo-Trol Parts			
Item Number	Part Number	For Type Number	Description
111290	1600-100	A1601, A1635 & A1636	Rope Shutoff Assembly
111295	1600-101	A1600 & A1601	Repair Kit
111305	1635-101	A1635 & A1636	
111259	1660-71	A1660, A1660M, A1660C & A1661	16 Hole Manifold
111310	1660-1011		Repair Kit
111311	1660C-1011		Repair Kit w/Wrench



1661-71

Hi-Flow Nurse Tank Valves							
Item Number	Part Number	Application	Tank Connection	Outlet Connection	Excess Flow / Filling Rates	Repair Kit	1/4" FNPT Side Outlet
111135	A1590P	Filling	1 1/4" MNPT	1 3/4" M. Acme	100 GPM ***	310-22	Plugged
		Vapor Return	1 1/4" MNPT	1 3/4" M. Acme	-----		
111610	A1592P	Filling	1 1/4" MNPT	1" FNPT	75 GPM ***		
		Liquid Withdrawal	1 1/4" MNPT	1 3/4" M. Acme	45 GPM		
111187	A1599P **	Filling Only	1 1/4" MNPT	1 3/4" M. Acme	93 GPM ***		
110741	A503B **	Filling Only	1 1/2" MNPT	1 1/2" FNPT	176 GPM ***		
110739	A502-45 *	Liquid Withdrawal	1 1/2" MNPT	1 1/2" FNPT	45 GPM		
110740	A502-60 *	Filling	1 1/2" MNPT	1 1/2" FNPT	150 GPM ***		
		Liquid Withdrawal	1 1/2" MNPT	1 1/2" FNPT	60 GPM		
111190	A1597R	Liquid Withdrawal	1 1/4" MNPT	1" FNPT	45 GPM	310-22	With Built-in Internal Relief
111180	A1598P			1 1/4" FNPT	45 GPM	480-22	Plugged
110732	A484-45						
110720	A480-45		1 1/2" MNPT	1 1/4" FNPT	60 GPM		
110722	A480-60			1 1/2" FNPT	45 GPM		
110728	A482-45				60 GPM		
110730	A482-60						

\* Other outlet connections and Gallon Per Minute flow rates available upon request.

\*\* Back Check.

\*\*\* Fill Rates @ 50 PSI. / Higher PSI = Higher Fill Rate.

**Questions Regarding Excess Flows - Refer To ANSI Standard K61.1 Or Refer To Local Authority Having Jurisdiction.**



# Riser Valves



Riser Valves							
Item Number	Part Number	Application	Inlet Connection	Outlet Connection	Excess Flow Rate	Repair Kit	1/4" FNPT Side Outlet
110575	AL477EP	Liquid Riser Pump Service Only	1 1/4" MNPT	1" FNPT	70 GPM	310-22	Plugged
110580	AL477ER						With Hydrostatic Relief
110590	AL478EP						Plugged
110594	A490P-95		1 1/2" MNPT	1 1/4" FNPT	95 GPM	480-22	With Hydrostatic Relief
110595	A490R-95						With Hydrostatic Relief

Valves Must Be Used With A 2" Forged Steel Tee or 2" Forged Steel 90° Elbow With Extra Heavy Hex Bushing.  
**Questions Regarding Excess Flows - Refer To ANSI Standard K61.1 Or Refer To Local Authority Having Jurisdiction.**

**DO NOT USE RISER VALVES IN NURSE TANKS.**



AL477  
AL478



A490

**ID Tag**



Tank Service Valves						
Item Number	Part Number	Application	Tank Connection	Outlet	Excess Flow Rate	Repair Kit
110430	AL407P	Vapor or Liquid	3/4" MNPT	1/2" FNPT	N/A	407-21
110435	AL407EP				12 GPM	
110480	AL409P			3/4" FNPT	N/A	
110485	AL409EP				15 GPM	



AL409P



AL409EP



Relief Valve Manifold				
Item Number	Part Number	Includes	Tank Connection	Relief Setting
110835	A1416	Manifold	2" FNPT *	----
110855	A1416A	Manifold & 2 A1310A		250 PSIG
110856	A1416B	Manifold & 2 A1310B		265 PSIG



\* Includes 2" X Close EH Seamless Nipple.

\*\*Packing Kit 1415-2007 (3 Per Set).

Relief Valves									
Item Number	Part Number	Primary Application	Size MNPT	Relief Setting	Flow Capacity - CFM Air		For Tanks with Surface Area Up To: Sq. Ft.	Rain Cap	Pipeaway Adaptor
					U.L.	ASME			
110815	A1327	Piping & Hose	1/4"	350 PSI	----	----	1325-8	----	----
110816	A1328			450 PSI	----	----			
110750	A1301A	Storage & Nurse Tanks	3/4"	250 PSI	1,975	1,884	239	1301-12 *P145	----
110755	A1301B			265 PSI	2,050	1,937	250		
110795	A1310A		1 1/4"	250 PSI	5,759	5,363	882	1310-12	1310-20 (2" FNPT)
110800	A1310B			265 PSI	5,930	5,924	914		
121050	H722-250	Delivery & Transport Trucks	2"	250 PSI	3,660	3,024	171	P297	----
121052	H722-265			265 PSI	3,555	3,387	166		
121054	H732-250		3"	250 PSI	10,508	8,827	624	P298	----
121055	H732-265			265 PSI	11,220	9,332	676		
121063	H5112-250	Bulk Storage	2"	250 PSI	11,050	9,724	664	----	MEP104-24 (3" FNPT)
121060	H5112-265			265 PSI	11,814	10,280	719		

\* P145 rubber protective cap with strap is available as a replacement.



# Relief Valves & Accessories



Relief Valve Adaptor				
Item Number	Part Number	Inlet MNPT	Outlet FNPT	Relief Outlet FNPT
110825	A2031	1"	1"	1/4"
110830	A2032	1 1/4"	1 1/4"	
110832	A2034	1 1/2"	1 1/2"	



Pipeaway Adaptor		
Item Number	Part Number	Inlet & Outlet
122615	MEP104-24	3" FNPT
110811	A1310-20	2" FNPT



Relief Valves						
Item Number	Part Number	Primary Application	Size MNPT	Relief Setting	Flow Capacity - SCFM Air	Trim Material
					U.L. @ 120% Set Pressure	
121090	MEV250CN/250	Stationary Tanks	2 1/2"	250 PSI	10,333	Nitrile
121091	MEV250CN/265			265 PSI	10,948	
121073	MEV300FIR-3F/250	Bobtail & Transport Tanks	3" 300LB. Flange	250 PSI	10,865	
121075	MEV300FIR-3F/265			265 PSI	11,600	
121081	MEV300FIRK-3F/250			250 PSI	10,865	
121083	MEV300FIRK-3F/265			265 PSI	11,600	



MEV250CN/265



Quad-Port Relief Valve Flanged Manifold Available



MEV300FIR-3F/265

## Male Acme X MNPT

Item Number	Part Number	Male Acme Connection	MNPT Connection	Acme Gasket	Steel Acme Cap & Chain	Plastic Acme Cap & Chain
111415	A2000	1 3/4"	1/2"	ST-1102A-16	A1152C	A2080C Strap
111420	A2001S		3/4"			
111425	A2002		1"			
111431	A2003S		1 1/4"			
111569	A2076		1 1/2"			
111537	A2059	2 1/4"	1"	ST-1E8126	A1175CS	ST-1177C
111539	A2060S		1 1/4"			
111570	A2077		1 1/2"			
122055	M522-16/10		2"			
111546	A2063S	3 1/4"	2"	ST-1E8128	A1176CS	ST-ME106-1
111556	A2065S		3"			
122065	M524-24	4 1/4"	3"	T10948	M625-34	-----



A2077

## Male Acme X Male Acme

Item Number	Part Number	Male Acme Connection	Male Acme Connection	Acme Gasket	Steel Acme Cap & Chain	Plastic Acme Cap & Chain
111436	A2005S	1 3/4"	1 3/4"	ST-1102A-16	A1152C	A2080C *
111446	A2007S	2 1/4"	2 1/4"	ST-1E8126	A1175CS	ST-1177C
122107	ST-M536-26	3 1/4"	3 1/4"	ST-1E8128	A1176CS	ST-ME106-1
122109	M536-34	4 1/4"	4 1/4"	T10948	M625-34	-----



A2005S

\* Includes Strap.

## Male Acme X FNPT

Item Number	Part Number	Male Acme Connection	FNPT Connection	Acme Gasket	Steel Acme Cap & Chain	Plastic Acme Cap & Chain
150571	ST-M526-6	1 3/4"	3/4"	ST-1102A-16	A1152C	A2080C Strap
111466	A2013S		1"			
122055	M522-16/10	2 1/4"	1 1/4"	ST-1E8126	A1175CS	ST-1177C
111561	A2074S	3 1/4"	2"	ST-1E8128	A1176CS	ST-ME106-1
111566	A2075S		3"			
122090	M529-24		4 1/4"	3"	T10948	M625-34



A2074S

## Adaptor Caps

Item Number	Part Number	Male Acme Connection	Female Acme Connection
150573	ST-M611S	1 3/4"	2 1/4"
122131	ST-M622		3 1/4"
122135	M623	3 1/4"	4 1/4"



ST-M622

# Acme Caps & Filler Couplings

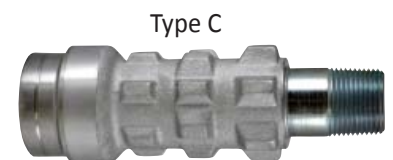
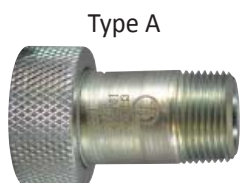


Female Acme Caps & Plugs						
Female Acme	Item Number	Part Number	Item Number	Part Number	Item Number	Part Number
	Plastic Cap		Steel Cap		Strap / Chain	
1 3/4"	111580	A2080 ***	-----	-----	111587	A2080-1003 Strap
	111585	A2080C **	-----	-----		
	-----	-----	110680	A1152C *	150553	MEP167 Chain
2 1/4"	111586	ST-1177 *	-----	-----		
	-----	-----	110696	A1175CS *		
3 1/4"	-----	-----	110701	A1176CS *		
4 1/4"	-----	-----	122140	M625-34		
Plastic Plug		Aluminum Plug		Chain		
1 3/4"	121711	ST-M179-1 *	121792	ST-M239	150553	MEP167 Chain
2 1/4"	121716	ST-M180-1 *	-----	-----		
3 1/4"	121721	ST-M181-1 *	Steel Plug			
4 1/4"	-----	-----	122095	M535-34		

\* Chain. \*\* Strap. \*\*\* P148 Chain optional.



Filler Couplings					
Item Number	Part Number	Coupling Type	Female Acme	Inlet Connection	Length
110665	A1149F	Type A	1 3/4"	1/2" MNPT	3 1/8"
110670	A1150F			3/4" MNPT	
110675	A1151F			1" MNPT	
110683	A1156FS	Type B	2 1/4"	1 1/4" MNPT	3 1/4"
110686	A1157FS		3 1/4"	2" MNPT	3 11/16"
122155	M634-24		4 1/4"	3" FNPT	2"
110641	A1130FS	Type C	1 3/4"	3/4" MNPT	7 3/16"
110645	A1131F			1" MNPT	
110650	A1132F		2 1/4"	1 1/4" MNPT	
110651	A1133F			1 1/2" MNPT	



## TriPod Safety Couplers

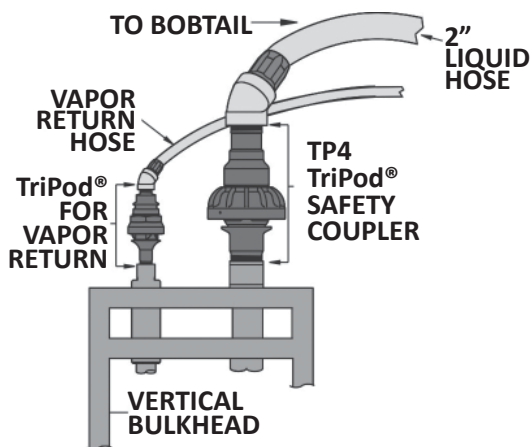
Item Number	Part Number	Inlet	Outlet	Capacity
113051	TP-5 *	1" MNPT	1" MNPT	55 GPM
113056	TP-6 *			77 GPM
113059	TP-7 *	1-1/4" MNPT	1-1/4" MNPT	126 GPM
113065	TP-4	3" MNPT X 2" FNPT	3" MNPT X 2" FNPT	350 GPM

\* Includes Mounting Bar / Hardware Kit.

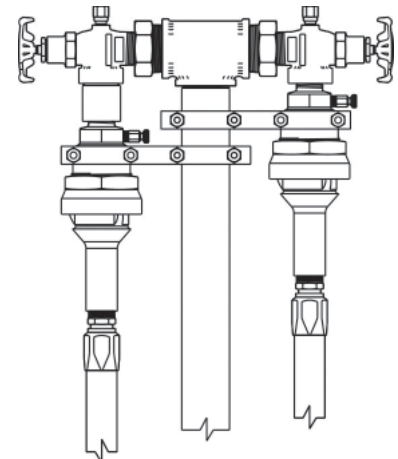


## Transfer Area Bulkhead

Item Number	Part Number	Sleeve Style	Opening Sizes
790000	1000	Horizontal	2" X 1 1/4"
790005	1001		3" X 2"
790010	1002	Vertical	2" X 1 1/4"
790015	1003		3" X 2"
790020	1006	Horizontal	2" X 1 1/4" X 3"



Typical Bulkhead Installation



Typical Riser Installation



TriPod Parts							
Part Number	MFG Dates	Ball Socket O-Ring		Body O-Ring		O-Ring Kit	
		Item Number	Part Number	Item Number	Part Number	Item Number	Part Number
T55	10/93-6/94	119406	P5-086-RO	119412	P5-087-RO	119418	TP1-1304
TP1-1000	10/93-5/97	119406	P5-086-RO	119412	P5-087-RO	119418	TP1-1304
TP1-1001	6/97-4/01	119406	P5-086-RO	* Factory Rebuild Only - Updates To TP5-1000			
TP5-1000	5/01-Present	119406	P5-086-RO	119433	P5-086-R1	119430	TP5-0022
T77	10/93-6/94	119408	P5-091-RO	119414	P5-090-RO	119420	TP2-1304
TP2-1000	10/93-2/98	119408	P5-091-RO	119414	P5-090-RO	119420	TP2-1304
TP2-1001	3/98-4/01	119408	P5-091-RO	* Factory Rebuild Only - Updates To TP6-1000			
TP6-1000	5/01-Present	119408	P5-091-RO	119436	P5-152-RO	119431	TP6-0022
				119437	P5-153-RO		
T126	10/93-6/94	119410	TP3-2020	119416	TP3-2023	119422	TP3-1304
TP3-1000	10/93-6/94	119410	TP3-2020	119416	TP3-2023	119422	TP3-1304
TP3-1000	12/96-9/97	119423	P5-095-R1	119434	P5-094-RO	-----	-----
		119424	P5-096-R1	119435	P5-095-RO		
TP3-1001	4/98-4/01	119423	P5-095-R1	* Factory Rebuild Only - Updates To TP7-1000			
		119424	P5-096-R1				
TP7-1000	5/01-Present	119423	P5-095-R1	119434	P5-094-RO	119432	TP7-0022
		119424	P5-096-R1	119435	P5-095-RO		

TP4 - Factory rebuild only.

TriPod Accessories						
Part Description	Item Number	Part Number	Item Number	Part Number	Item Number	Part Number
Female Half	113100	TP5-1100	113110	TP6-1100	113120	TP7-1100
Male Half	113105	TP5-1200	113115	TP6-1200	113125	TP7-1200
Bar & Hardware Kit	119400	TP1-1301	119402	TP2-1301	119404	TP3-1301
Male Ball Socket Kit	119425	TP55-1305	119427	TP77-1305	119429	TP126-1305



Female Half



Male Half

Parking Plugs			
Item Number	Part Number	Size	Includes
111461	A2014	1 3/4" Male Acme	-----
111462	A2014B		Bolt, Nut, & Washer
111463	A2014C		Bolt, Nut, Washer & Chain
111500	A2024	2 1/4" Male Acme	-----



A2024



A2014B



Globe

Needle Valves				
Item Number	Part Number	Body Style	Inlet	Outlet
118203	V556CDT-H7	Globe	1/4" MNPT	1/4" FNPT
118204	V552CDT-H7	Angle		



A1911



A1912



A1910S



AL404

Liquid Level Vent Valves			
Item Number	Part Number	Description	Size
111405	A1910S	Fixed Liquid Level Gauge	1/4" MNPT
111410	A1911	Liquid Level Valve - Knurled Handle	
111411	A1912	Liquid Level Valve - Tee Handle	
110437	AL404	Liquid Level Valve	3/4" MNPT
110438	AL404-1	AL404 with 0-400 PSIG Pressure Gauge & A1911	

# Excess Flow Valves & Back Checks



Excess Flow Valves					
Item Number	Part Number	Application	Inlet Connection	Outlet Connection	Closing Flow
111335	A1705-50	Type A	1 1/4" MNPT	1 1/4" FNPT	50 GPM
111381	A1717-1120		2" MNPT		110 GPM
111356	AL1710	Type B	3" MNPT	2" FNPT	95 GPM
111371	A1714-225				225 GPM
111340	AL1706	Type C	1 1/4" MNPT	1 1/4" MNPT	50 GPM
111380	A1718		1 1/2" MNPT	1 1/2" MNPT	60 GPM
111347	A1708-95		2" MNPT	1 1/4" FNPT	95 GPM
111375	A1715-165		3" MNPT	2" MNPT	165 GPM
111382	A1715-225				225 GPM
111361	AL1711		2" MNPT	2" MNPT X 1 1/4" FNPT	95 GPM
111364	A1713-165		3" MNPT	3" MNPT X 2" FNPT	165 GPM
111365	A1713-225				225 GPM

**Questions Regarding Excess Flows - Refer To ANSI Standard K61.1 Or Refer To Local Authority Having Jurisdiction.**



Type A



Type B



Type C

Back Check Valves				
Item Number	Part Number	Application	Inlet Connection	Outlet Connection
111383	A1725	Tanks or In-Line	3/4" MNPT	3/4" FNPT
111385	A1727		1 1/4" MNPT	1 1/4" FNPT
111390	A1728		2" MNPT	2" FNPT
111395	A1729		3" MNPT	3" FNPT
111400	A1733		2" MNPT	2" MNPT
111398	A1730	In-Line Full Flow Swing Check	1 1/4" FNPT	1 1/4" FNPT
111399	A1731		1 1/2" FNPT	1 1/2" FNPT
120845	G200-16		2" FNPT	2" FNPT
120847	G200-24		3" FNPT	3" FNPT



A1729



A1730



G200-16



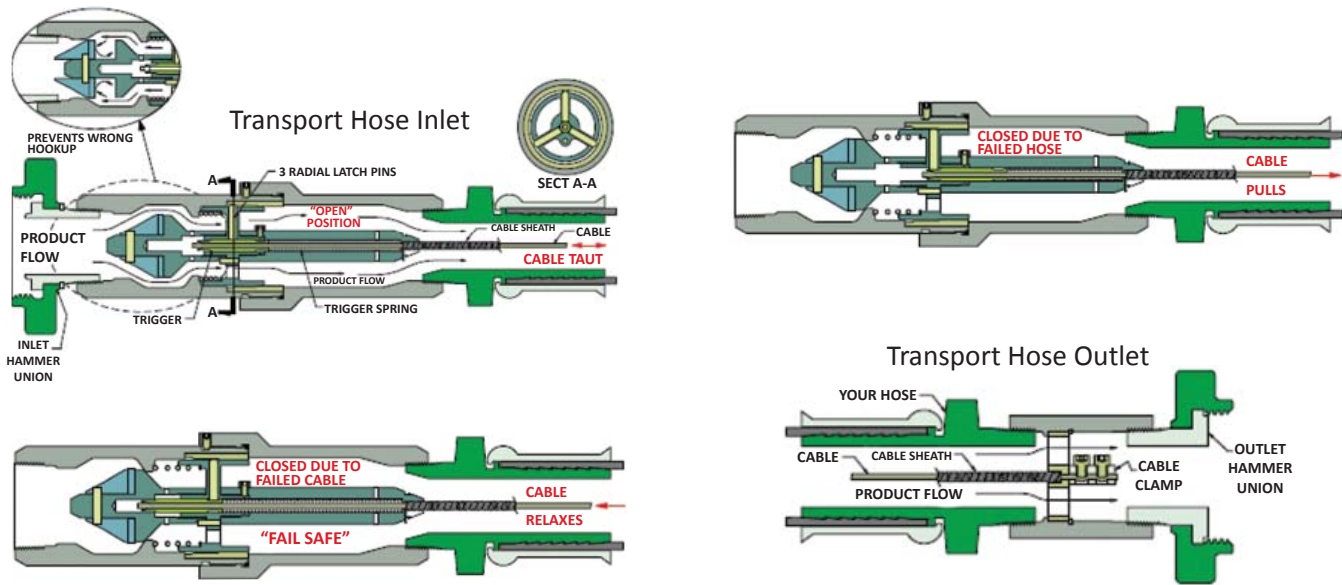
A1733

PR4 Passive Hose Shutdown		
Item Number	Part Number	Part Description
113500	PR4-1000	Passive Shutdown System for a 2" Transfer Hose With 2" FNPT Ends.
113505	PR4-0022	Utility Tool Kit
113510	PR4-0024	Cable & Sheath Replacement Kit
113511	PR4-0023	Cable Extension Kit
113512	PR4-KP	Anchor End Kit



Transport Hose Inlet

Transport Hose Outlet



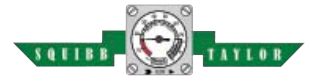
Hose Buddy		
Item Number	Part Number	Part Description
117325	HB-1000	Fits 2" hose to protect from abrasive ground surfaces. Easily transferable from hose to hose.



HB-1000

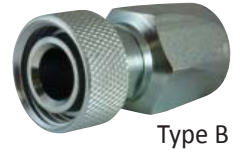


# Hose Couplings, Unions, & Ball Valves



Reusable Hose Couplings				
Item Number	Part Number	Coupling Type	Size	Hose I.D.
117296	100-1	Standard (Type A)	1" MNPT	1"
117316	103	Swivel Type (Type B)	1 3/4" Female Acme	1"

Available in 1/2" & 3/4".



Two-Bolt Clamp Hose Couplings				
Item Number	Part Number	Coupling Type	Size	Hose I.D.
122206	ST-M3162-16	Clamp Type A Standard Outlet	1" MNPT	1"
117312	A221S		1 1/4" MNPT	1 1/4"
122211	ST-M3162-20		1 1/2" MNPT	1 1/2"
122216	ST-M3162-24		2" MNPT	2"
122221	ST-M3162-32		3" MNPT	3"
122225	M3162-48		Clamp Type B Swivel Nut Outlet	1 3/4" F.. Acme
122212	ST-M3162-2018S	2 1/4" F.. Acme		2"
122213	ST-M3162-2020S	3 1/4" F.. Acme		3"
122241	ST-M3162-32S	4 1/4" F.. Acme		
122245	M3162-48S			



Swivel Hose Unions			
Item Number	Part Number	Pipe Swivel	Pipe Thread
230153	ST-2045-16-16S	1" MNPT	1" FNPT
230161	ST-2046-16-16S	1" FNPT	
230157	ST-2045-20-20S	1 1/4" MNPT	1 1/4" FNPT
230156	ST-2046-20-20S	1 1/4" FNPT	
230263	ST-2045-24-24S	1 1/2" MNPT	1 1/2" FNPT
230261	ST-2046-24-24S	1 1/2" FNPT	



ST-2046-16-16S



Steel Ball Valves										
	Part Description	1/4"	3/8"	1/2"	3/4"	1"	1 1/4"	1 1/2"	2"	3"
Item Number	Carbon Steel Standard Port	198450	198455	198460	198465	198470	198475	198480	198485	-----
Part Number		73A-101	73A-102	73A-103	73A-104	73A-105	73A-106	73A-107	73A-108	
Item Number	Stainless Steel Full Port	223142	223143	223138	223131	223132	223133	223139	223134	-----
Part Number		100-961	100-962	100-963	100-964	100-965	100-966	100-967	100-968	
Item Number	3 Piece Stainless Steel Full Port	223725	223728	223729	223718	223724	223719	223721	223720	223723
Part Number		500-301	500-302	500-303	500-304	500-305	500-306	500-307	500-308	500-310



## SS Flex Connectors

Item Number	Connection Size	Length	Material
200799	1 1/4"	18"	Stainless Steel Double Braid w/Hex Wrenching Flats
200800		24"	
200803	2"	18"	
200835		24"	
200810	3"	18"	
200845		24"	



200799

Other sizes available.

## Y-Strainers

Item Number	Size, MNPT	Plug Size	Item Number	Size, MNPT	Plug Size
200710	1/4" FNPT *	3/8"	200707	1 1/4" FNPT	3/4"
200714	1/2" FNPT		200728	1 1/2" FNPT	1"
200716	3/4" FNPT	1/2"	200725	2" FNPT	
200712	1" FNPT	3/4"	200726	3" FNPT	1 1/4"

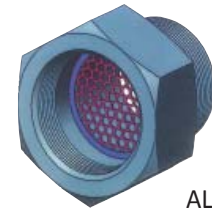


200723

40 Mesh standard - 20 & 80 Mesh screen sizes available. \*Has 20 mesh screen. Plugs sold separately.

## Hi-Flow Pipe Strainer

Item Number	Part Number	Inlet	Outlet
111396	AL1750	2" FNPT	2" MNPT



AL1750

## Acme Spanner Wrench

Item Number	Part Number	Length
122631	ST-P120B	17 1/2"



ST-P120B



ME200

## Wheel Chock

Item Number	Part Number	Height	Length	Width
360200	ME200	7"	10"	7"

Full Flow Y Fitting			
Item Number	Part Number	Inlets	Outlet
111725	Y-125	1 1/4" FNPT	1 1/4" FNPT
111726	Y-150	1 1/2" FNPT	1 1/2" FNPT



Y-150

Container Thermometers			
Item Number	Part Number	Tank Connection	Stem Length
121245	ST-J700	1/2" MNPT	4"
121250	ST-J701		6"



ST-J700

Gauge Snubber				
Item Number	Part Number	Type	Inlet	Outlet
141031	ST-1449	Stainless Steel w/ 54 Drill	1/4" MNPT	1/4" FNPT



ST-1449

Pressure Gauges				
Item Number	Range PSI	Dial Size	Dial Type	Size MNPT
290615	0-60	2 1/2"	Dry	1/4" Bottom Mount
290620	0-160			
290625	0-400			
290632	0-60	4"		
290633	0-160			
290634	0-400			
290648	0-60	2 1/2"	Liquid Filled	1/4" Back Mount
290647	0-400		Dry	
290635	0-400			
290636	0-400		Liquid Filled	



290632



290635

Valve Locking Device	
Item Number	Description
360137	Fits Standard Globe, Angle, & Tank Valves From 3/4" To 2" (Up To 4 3/4" Handwheel Diameter)
360138	Fits Standard 3" Globe & Angle Valves (Up To 8" Handwheel Diameter)



360138

Emergency Shutoff Valves			
Item Number	Part Number	Body Size	Flow - NH3
122585	N550-10	1 1/4" FNPT	47 GPM
122590	N550-16	2" FNPT	70 GPM
122595	N550-24	3" FNPT	178 GPM
122597	N562-26 *	2" FNPT X 3 1/4" Male Acme	180 GPM

\* For Railroad tank cars. Pneumatic operation only.



N550 & P327D



N562-26



N550-10



N550 & P539A

N550 Accessories		
Item Number	Part Number	Part Description
122927	P327D	Actuator - Close Only
122937	P539A	Actuator - Open / Close
150602	ME551	ESV Air Actuator
150609	ME552	ESV Rotary Actuator
122692	P164B	Cable Release Assembly
122978	P551	Helper Spring Kit
122979	P551A	Helper Spring Kit With P327D
129079	T13090-T0012	Packing Assembly Kit
129078	T12963-T0012	Latch Block Assembly
129896	T13500-T0012	Fuse Link Assembly
129274	T20677-T0012	Handle Only
129758	T12928-T0012	Handgrip Only
129275	T20714-T0012	Handle and Handgrip Assy.

Threaded Internal Valves					
Item Number	Straight Body (One Outlet)	Item Number	Tee Body (Two Outlets)	Tank Connection	Outlet Connection
120430	C407-10-03	-----	-----	1 1/4" MNPT	1 1/4" FNPT
120438	C407M-10-03 *				
120435	C407-10-05				
120428	C407M-10-05 *	-----	-----		
120440	C407-10-08				
120442	C407M-10-08 *				
120448	C477-16-105	120301	C471-16-105	2" MNPT	2" FNPT
120451	C477-16-150	120306	C471-16-150		
120458	C477-16-250	120311	C471-16-250		
120461	C477-24-160	120313	C471-24-160	3" MNPT	3" FNPT
120471	C477-24-260	120321	C471-24-260		
120476	C477-24-375	120326	C471-24-375		
120484	C477-24-460	120331	C471-24-460		

\* Includes a factory installed Type P340 / P341 latch.



C407



C407M



C471



C477

3-Inch Flanged Internal Valves					
Item Number	Single Flange	Item Number	Double Flange	Tank Connection	Outlet Connection
120381	C484-24-160	120362	C483-24-160	3" 300 Lb. ANSI RF Modified (4 5/8" Dia. Bore)	3" 300 Lb. ANSI RF
120386	C484-24-250	120371	C483-24-260		
120396	C484-24-400	120376	C483-24-400		



C484



C483

## 4-Inch Flanged Internal Valves

Item Number	Part Number	Actuation	Tank Connection	Outlet Connection
120400	C404-32-400	Cable	4" 300 Lb. ANSI RF Modified (5 7/8" Dia. Bore)	4" 300 Lb. ANSI RF
120405	C404-32-600			
120406	C404-32-800			
120415	C404A-32-400	Air With P614		
120416	C404A-32-600			
120417	C404A-32-800			
120420	C404M-32-400	Manual With P313		
120425	C404M-32-600			
120426	C404M-32-800			



C404-32



C404A-32



C404M-32

## Internal Valve Repair Kits

Item Number	Part Number	For Type Number	Kit Contents
125000	RC20443T012	C204-43	Liner Bushings, Packing, Rod Wiper, Discs, & O-Ring
125010	RC40016T012	C402-16, C421-16, & C427-16	Discs, Packing, Stub Shaft, O-Rings, Cotter Pin, & Washer
125015	RC40024T012	C402-24, C421-24, & C427-24	
125020	RC40324T012	C403-24	
128025	RC40424T012	C404-24	
125030	RC40710T012	C407-10	Discs, Packing, & O-Ring
125012	RC47016T012	C471-16 & C477-16	Discs, Packing, Stub Shaft, O-Rings, Cotter Pin, & Washer
125017	RC47024T012	C471-24 & C477-24	
125022	RC48324T012	C483-24	
125023	RC48424T012	C484-24	



Internal Valve Actuators			
Item Number	Part Number	Obsolete Part Number	For Type Number
122931	P389	-----	C407-10
122938	P631		
150581	ME205		
122936	P613	P326-7	C404-24 & C484-24
150578	ME207SF	-----	
122933	P623	P326-5	C403-24 & C483-24
150577	ME207	-----	
122934	P639	P326-6	C402, C421, C427, C471, & C477
150576	ME206	-----	
122932	P614	P312	C404-32
150579	ME208SF	-----	



P389



ME207

Internal Valve Accessories			
Item Number	Part Number	For Type Size	Release Type
122912	P340	2" & 3"	Latch
122925	P341	1 1/4"	
122919	P342		Bi-Directional Latch
122685	P163A	1 1/4", 2" 3" & 4"	Auxiliary Remote
122690	P164A		
122692	P164B		
122985	P650 *		
122987	P651	4"	Primary Cable Control
122860	P314		Cable Assembly
122855	P313 **		Latch
122865	P315		Auxiliary Remote

\* Type P651 is a primary control only, no accessories. \*\* Use with Type P315 remote release mechanism.



P340



P315

## Bare Compressor with Flywheel

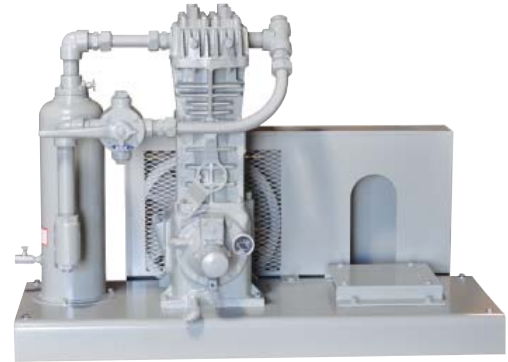
Item Number	Part Number	Approximate Capacity
140200	91AJ3FBANSNN	23-46 GPM
140211	291AM3FBANSNN	45-85 GPM
140221	491AM3FBANSNN	85-181 GPM
140231	691AM3FBANSNN	165-338 GPM



291



491



491-107

## Base Mounted Compressors

Item Number	Part Number	RPM	3 Phase Motor - HP	Frame Size
140250	91AJ3FBANSNN-107-1-695-184T	695	5	184T
140261	291AM3FBANSNN-107-3-695-184T		10	
140271	491AM3FBANSNN-107-5-670-215T	670	15	215T
140281	691AM3FBANSNN-107-7-640-256T	640	20	256T

**107 Style** - Mounting includes steel baseplate, mechanical liquid trap, non-lube 4-way valve, interconnecting piping, strainer, adjustable driver side base, V-belt drive and enclosed belt guard. Pressure gauges are mounted on the compressor. Motor sold separately.

### 291 Compressor Parts

Item Number	Part Number	Description	Qty.
141061	3483-1X1 *	Suction Valve	2
140605	1132-X2	Crosshead Assembly	2
140665	1281-XA *	Gasket Set	1
140735	1367 *	Connecting Rod Bearing	2 Pair
140745	1452-1X1 *	Packing Set	2
140914	3485-X *	Discharge Valve	2
140806	1772 *	Rings	6
140799	1775 *	Ring Expander	6
140969	1983-X	Piston Assembly	2
140944	2-235A	Head O-Ring	2
140921	3550-X1	Repair Kit *	1

### 491 Compressor Parts

Item Number	Part Number	Description	Qty.
140829	2532-1X2 *	Suction Valve	2
140746	1384-X	Crosshead Assembly	2
140755	1481-XA *	Gasket Set	1
140760	1491 *	Connecting Rod Bearing	2 Pair
140745	1452-1X1 *	Packing Set	2
140828	2439-X *	Discharge Valve	2
140759	1773 *	Rings	6
140761	1776 *	Ring Expander	6
140701	1985-X	Piston Assembly	2
140754	1481	Head Gasket	2
140922	3551-X1	Repair Kit *	1

Bare Pumps				
Item Number	Part Number	Inlet	Outlet	Flow Rate
140050	521EGAE	2" FNPT	2" FNPT	25-80 GPM
140120	1021EGAMM	3" FNPT	3" FNPT	65-195 GPM
140193	Z2000HGAEU	2" FNPT	2" FNPT	37-75 GPM
140121	Z3500HGAMT	3" FNPT	3" FNPT	120-168
140185	Z4500HGASP	4" 300# Flange	3" 300# Flange	200-308

Z3500 is a direct replacement for Corken 1021 & Blackmer LGLD3.



Z3500



521 / 1021



Z4500

Base Mounted Pumps					
Item Number	Part Number	RPM	3 Phase Motor - HP	Frame Size	
140062	521EGAE-103-9-640-184T	640	5	184T	
140187	Z2000HGAEU-103-9-640-184T				
140137	1021EGAMM-103-10-640-215T		10	215T	
140131	Z3500HGAMT-103-10-640-215T				
140186	Z4500HGASP-103-15-640-256T		20	256T	

**103 Style** - Mounting includes steel baseplate, adjustable driver side base, V-belt drive and enclosed belt guard. Motor sold separately.



Z2000



103 Pump Series

NH3 Coro-Vane Pump Repair Kits				
Item Number	140195	140196	140202	140197
Part Number	3193-X1	3195-X1	3195-X2	3197-X1
Model Numbers	Z2000	Z3200	Z3500	Z4200 Z4500
Seal Assembly *	4431-XA2 (2) *	4431-XA2 (2) *	4431-XA2 (2) *	4431-XA2 (2) *
Bearings	2754-X (2)	2754-X (2)	2754-X (2)	4460-X (2)
Bearing	4432 (2)	4432 (2)	4432 (2)	4453 (2)
Grease Seals	4441 (2)	4441 (2)	4441 (2)	4463 (2)
Grease Seal	-----	-----	-----	-----
Blades	4428 (6)	4232 (6)	3936 (1)	4448 (6)
Sideplates **	4427 (2) **	4231 (2) **	3935 (2) **	4446 (2) **
Flange Gasket	-----	-----	-----	-----
Case O-Ring *	2-261A (2) *	2-261A (2) *	2-268A (2) *	2-270A (2) *
Flange O-Ring *	2-231A (2) *	2-234A (2) *	2-245A (2) *	2-231A *
Flange O-Ring *	-----	-----	-----	-----
Flange O-Ring *	-----	-----	-----	-----
R.V. O-Ring *	2-224A *	2-224A *	2-228A *	2-234A *
R.V. O-Ring *	-----	-----	-----	-----
R.V. O-Ring *	-----	-----	-----	-----
Rotor & Shaft **	4430-X2R **	4495-X2R **	4495-X2R **	4444-X2R **
Rotor & Shaft **	-----	-----	-----	-----
Cam **	4414 **	4242 **	5539 **	4443 **
Mounting Ring	4432 (2)	4432 (2)	4435 (2)	4452 (2)
Pin Drivers	4262-X (3)	4262-X (3)	4262-X (3)	4449-X (3)
Shim (0.002)	4439 (8)	4439 (8)	4439 (8)	4458 (8)
Shim (0.010)	4439-1 (2)	4439-1 (2)	4439-1 (2)	4458-1 (2)
Shim (0.020)	4439-2 (2)	4439-2 (2)	4439-2 (2)	4458-2 (2)

\* All repair kits are furnished with Buna-N O-Rings which are suitable for NH3 applications.

\*\* These items are not in the repair kits.

Coro-Vane Pump Parts						
Part Description	For Z2000 Pumps			For Z3500 Pumps		
	Item Number	Part Number	Quantity Needed	Item Number	Part Number	Quantity Needed
Seal Assembly	140201	4431-XA2	2 Pcs.	140201	4431-XA2	2 Pcs.
Bearings	140850	2754-X	2 Pcs.	140850	2754-X	2 Pcs.
Bearing	140500	4432	2 Pcs.	140500	4432	2 Pcs.
Grease Seals	140511	4441	2 Pcs.	140511	4441	2 Pcs.
Blades	145006	4428	6 Pcs.	141152	3936	6 Pcs.
Sideplates	140190	4427	2 Pcs.	140182	3935	2 Pcs.
Rotor & Shaft	140181	4430-X2R	1 Pc.	140998	4495-X2R	1 Pc.
Cam	145004	4414	1 Pc.	140184	5539	1 Pc.

NH3 Coro-Vane Pump Repair Kits					
Item Number	140874	140900	140882	140890	140894
Part Number	2904-X2	3109-X1	2905-X5	2906-X2	2907-X3
Model Numbers	521E 522E T522E TR522E	T522G TR522G	T722G TR722G	1021E 1022E F1021E F1022E	F1521F F1522F T1522F TR1522F
Seal Assembly *	1769-XRA (2)*	1769-XRA (2)*	1769-XRA (2)*	1769-XRA (2)*	1769-XRA (2)*
Bearings	2754-X (2)	2754-X (2)	2754-X (2)	2754-X (2)	2754-X (2)
Bearing	-----	3209	3209	-----	3209
Grease Seals	1358 (2)	1358 (2)	1358 (2)	1358 (2)	1358 (2)
Grease Seal	2014	2014	2014	2014	2014
Blades	1168-7 (10)	4000 (6)	3981 (6)	1308-9 (10)	3477 (6)
Sideplates **	1163-2 (2) **	3932 (2) **	3932 (2) **	1209-1 (2) **	3476 L/R (1/1) **
Flange Gasket	2010 (3)	2010 (2)	2010 (2)	-----	-----
Case O-Ring *	2-261A (2) *	2-261A (2) *	2-261A (2) *	2-268A (2) *	2-268A (2) *
Flange O-Ring *	2-234A (2) *	2-234A (2) *	2-234A (2) *	2-245A (2) *	2-245A *
Flange O-Ring *	-----	-----	-----	2-249A (2) *	2-234A (3) *
Flange O-Ring *	-----	-----	-----	-----	2-249A
R.V. O-Ring *	2-224A *	-----	-----	2-228A *	-----
R.V. O-Ring *	2-112A *	-----	-----	2-112A *	-----
R.V. O-Ring *	2-277A (2) *	2-277A (2) *	2-277A (2) *	-----	2-238A *
Rotor & Shaft **	1166-1X1R **	-----	-----	1208-1X1R **	3350-1X1R **
Rotor & Shaft ** #	1166-1X2R ** #	1166-1X2R ** #	3983-X2R ** #	1208-1X2R ** #	3350-1X2R ** #
Cam **	1162-2 **	1162-2 **	1849-1 **	1201-2 **	1792-1 **

\* All repair kits are furnished with Buna-N O-Rings which are suitable for NH3 applications.

\*\* These items are not in the repair kits.

# For use on 522, 722, 1022, and 1522 pumps only.

Coro-Vane Pump Parts						
Part Description	For 521 Pumps			For 1021 Pumps		
	Item Number	Part Number	Quantity Needed	Item Number	Part Number	Quantity Needed
Seal Assembly	140802	1769-XRA	2 Pcs.	140802	1769-XRA	2 Pcs.
Bearings	140850	2754-X	2 Pcs.	140850	2754-X	2 Pcs.
Grease Seals	140740	1358	2 Pcs.	140740	1358	2 Pcs.
Grease Seal	140811	2014	1 Pc.	140811	2014	1 Pc.
Blades	140626	1168-7	10 Pcs.	140716	1308-9	10 Pcs.
Sideplates	140615	1163-2	2 Pcs.	140660	1209-1	2 Pcs.
Rotor & Shaft	140619	1166-1X1R	1 Pc.	140654	1208-1X1R	1 Pc.
Cam	140610	1162-2	1 Pc.	140650	1201-2	1 Pc.



Blackmer Pump Repair Kits					
Item Number	142513	142516	142518	142538	142533
Part Number	898994	898917	898918	898919	898976
Model Numbers	LGF1E, LGB1E, LGF1PE & LGB1PE	LGRL1.25 LGRLF 1.25A (4 Vane) <u>LGRLF1.25</u>	LGL1.25 LGLF 1.25A (4 Vane) <u>LGLF1.25</u>	LGL1.5 LGLF1.5A (4Vane)	LGRL1.25, LGLF1.25A LGL1.25, LGLF1.25A LGL1.5, LGLF1.5A (8 Vane)
Relief Valve Spring	472901 (1)	471428 (1)	471428 (1)	471428 (1)	471428 (1)
O-Ring (Spring Guide)	711940 (1) *	-----	-----	-----	-----
Relief Valve	452901 (1)	453077 (1)	453077 (1)	453077 (1)	453077 (1)
O-Ring (R/V Cover)	701965 (1) *	711924 (1) *	711924 (1) *	711924 (1) *	711924 (1) *
O-Ring ( R/V Cap)	-----	701949 (1) *	701949 (1) *	701949 (1) *	701949 (1) *
Vanes - Set	092913 (6) *	093088 (4) *	093088 (4) *	093088 (4) *	093088 (8) *
Push Rod	-----	123004 (2) *	123076 (2) *	123401 (2) *	-----
Bearings	903405 (2) *	903114 (2) *	903114 (2) *	903114 (2) *	903114 (2) *
Bearing Lockwasher	903532 (2) *	903533 (2) *	903533 (2) *	903533 (2) *	903533 (2) *
Bearing Cover Gasket	383075 (1) *	383075 (2) *	383075 (2) *	383075 (2) *	383075 (2) *
Disc	-----	063075 (2) *	063075 (2) *	063075 (2) *	063075 (2) *
O-Ring (Head)	711941 (1) *	701918 (2) *	701918 (2) *	701918 (2) *	701918 (2) *
Grease Seal	331934 (1) *	331927 (1) *	331927 (1) *	331927 (1) *	331927 (1) *
Mechanical Seal	332920 (2) *	333045 (2) *	333045 (2) *	333045 (2) *	333045 (2) *
Shaft Key	909126 (1) *	909125 (1) *	909125 (1) *	909125 (1) *	909125 (1) *

\* Items included in repair kits.

Blackmer Pump Repair Kits					
Item Number	142522	142535	142539	142527	142527
Part Number	898979	898981	898980	898922	898922
Model Numbers	LGL2E LGLD2E	LGL3F LGLD3F <u>LGL3E, LGLD3E</u>	TLGLF3C	LGL4A LGLD4A, LGLD4B <u>LGL4, LGLD4</u>	TLGLF4B <u>TLGLF4A</u> <u>TLGLF4</u>
Relief Valve Spring	471423 (1)	475135 (1)	471428 (1)	472039 (1)	472039 (1)
Relief Valve	454405 (1)	455129 (1)	451417 (1)	452001 (1)	452001 (1)
O-Ring (R/V Cover)	701919 (1) *	701925 (1) *	701919 (1) *	701946 (1) *	701946 (1) *
O-Ring ( R/V Cap)	-----	-----	-----	701926 (1) *	701926 (1) *
Vanes - Set	091419 (6) *	095131 (6) *	095132 (6) *	092019 (6) *	092019 (6) *
Push Rod	123905 (3) * <i>Stl</i>	125110 (3) * <i>Com</i>	121607 (3) * <i>Stl</i>	122005 (3) * <i>STL</i>	122009 (3) * <i>Com</i>
Bearings	903156 (2) *	903166 (2) *	903156 (2) *	903166 (2) *	903166 (2) *
Bearing Lockwasher	903522 (2) *	903524 (2) *	903522 (2) *	903524 (2) *	903524 (2) *
Bearing Cover Gasket	383940 (2) *	385125 (1) *	383940 (2) *	385125 (1) *	385125 (1) *
Disc	064412 (2) *	065112 (2) *	065121 (2) *	062039 (2) *	062039 (2) *
O-Ring (Head)	702022 (2) *	702041 (2) *	7119123 (2) *	702039 (2) *	702039 (2) *
O-Ring (Flange)	702004 (2) *	702002 (2) *	702004 (2) *	701937 (2) *	702004 (2) *
O-Ring (Flange) Older Pumps	-----	-----	701919 (2) *	-----	-----
Grease Seal	331918 (1) *	331908 (1) *	331918 (2) *	331908 (2) *	331908 (2) *
Dirt Shield	701480 (1) *	-----	701480 (2) *	-----	-----
Mechanical Seal	334439 (2) *	335225 (2) *	334439 (2) *	332050 (2) *	332050 (2) *
Shaft Key	909209 (1) *	909209 (1) *	909130 (1) *	909183 (1) *	909183 (1) *

\* Items included in repair kits. *Stl* = Steel Pushrod *Com* = Composition Pushrod

Bare Pumps				
Item Number	Part Number	Inlet	Outlet	Flow Rate - GPM
142052	LGLD2E-440QA1B10000N	2" FNPT	2" FNPT	30-67
142058	LGLD3F-440QA1B10000N	3" FNPT	3" FNPT	59-133
142036	LGLD4B-440Q2B100001			130-270



LGLD2E



LGLD3F

Baldor Motors				
Item Number	Part Number	Horsepower	Frame Size	Specifications
140402	EM3558T	2	145T	TEFC 3-Phase 50/60 Hz 1800 RPM
140407	EM3610T	3	182T	
140412	EM3615T	5	184T	
140417	EM3710T	7.5	213T	
140422	EM3774T	10	215T	
140427	EM2333T	15	254T	
140432	EM2334T	20	256T	
140437	EM4103T	25	284T	

Single Phase available (Will change frame size).



EM3610T



EM2334T

Corken Bypass Valves				
Item Number	Part Number	Size - FNPT	Application	Spring Range
140342	T166-1.25AAU	1 1/4"	Bulk Plants & Large Capacity Pumps	25-60
140341	T166-1.5AAU	1 1/2"		25-60
140329	ZV200-AAEE	2"		41-70

Other spring ranges available.



T166



ZV200

Blackmer Bypass Valves				
Item Number	Part Number	Size - FNPT	Application	Spring Range
142004	BV1.25A-510	1 1/4"	Bulk Plants & Large Capacity Pumps	71-125
142002	BV1.5A-510	1 1/2"		
142007	BV2A-21NN	2"		41-70

Other spring ranges available.



BV2A

MEC Bypass Valves				
Item Number	Part Number	Size - FNPT	Application	Spring Range
148022	ME840-16-40	2"	Bulk Plants & Large Capacity Pumps	20-40
148024	ME840-16-70			41-70
147978	ME840-24-75	3"		25-75

Other spring ranges available.



ME840-16-40



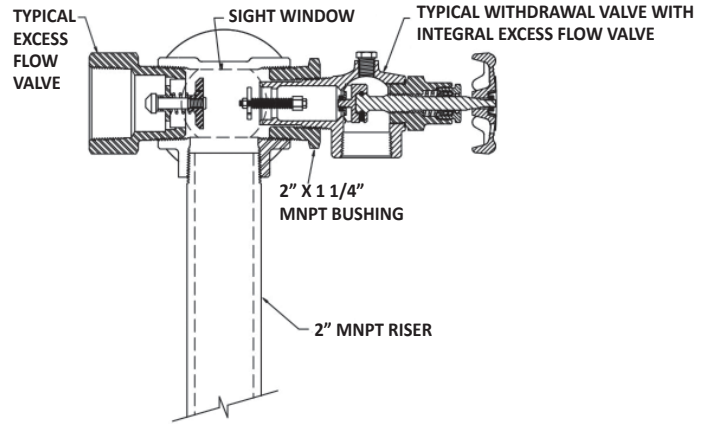
ME840-24-75

## Riser Sight Glass Inspection Tee

Item Number	Part Number	Description
111403	A483	2" Sight Glass Tee



A483



## In-Line Sight Flow

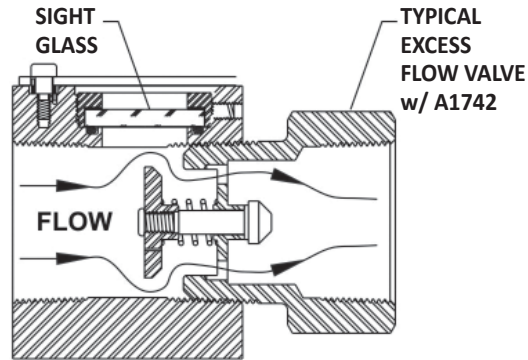
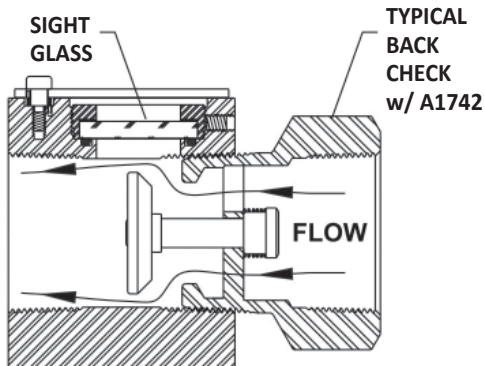
Item Number	Part Number	Description
111401	A1742	2" Sight Flow
150622	ME875S-16	2" Sight Flow Swing Check
111402	A1743	3" Sight Flow
150623	ME875S-24	3" Sight Flow Swing Check



A1742



ME875S-16





Forged Steel Fittings								
2000 Lbs., A105, ANSI B16.11					3000 Lbs., A105, ANSI B16.11			
Pipe Size, FNPT	Size, MNPT							
	90 Elbow	45 Elbow	Tees	Crosses	90 Street Elbows	Couplings	Half Couplings	Caps
1/4"	610005	610105	610205	610305	611305	600105	600205	600805
3/8"	610010	610110	610210	610310	611310	600110	600210	600810
1/2"	610015	610115	610215	610315	611315	600115	600215	600815
3/4"	610020	610120	610220	610320	611320	600120	600220	600820
1"	610025	610125	610225	610325	611325	600125	600225	600825
1 1/4"	610030	610130	610230	610330	611330	600130	600230	600830
1 1/2"	610035	610135	610235	610335	611335	600135	600235	600835
2"	610040	610140	610240	610340	611340	600140	600240	600840
2 1/2"	610045	610145	610245	610345	-----	600145	600245	600845
3"	610050	610150	610250	610350	-----	600150	600250	600850
4"	610055	610155	610255	610355	-----	600155	600255	600855

Hex Head Plugs												
A105, ANSI B16.11												
Pipe Size	1/8"	1/4"	3/8"	1/2"	3/4"	1"	1 1/4"	1 1/2"	2"	2 1/2"	3"	4"
Item Number	600500	600505	600510	600515	600520	600525	600530	600535	600540	600545	600550	600555

Forged Steel Unions											
3000 Lbs., A105, MSS SP-83											
Pipe Size	1/8"	1/4"	3/8"	1/2"	3/4"	1"	1 1/4"	1 1/2"	2"	2 1/2"	3"
Item Number	661100	661105	661110	661115	661120	661125	661130	661135	661140	661145	661150

Hex Bushings											
A105, ANSI B16.11											
Size, FNPT	Size, MNPT										
	1/4"	3/8"	1/2"	3/4"	1"	1 1/4"	1 1/2"	2"	2 1/2"	3"	4"
1/8"	603100	603105	603115	603130	603150	603175	603205	603240	603280	603325	603375
1/4"	-----	603110	603120	603135	603155	603180	603210	603245	603285	603330	603380
3/8"	-----	-----	603125	603140	603160	603185	603215	603250	603290	603335	603385
1/2"	-----	-----	-----	603145	603165	603190	603220	603255	603295	603340	603390
3/4"	-----	-----	-----	-----	603170	603195	603225	603260	603300	603345	603395
1"	-----	-----	-----	-----	-----	603200	603230	603265	603305	603350	603400
1 1/4"	-----	-----	-----	-----	-----	-----	603235	603270	603310	603355	603405
1 1/2"	-----	-----	-----	-----	-----	-----	-----	603275	603315	603360	603410
2"	-----	-----	-----	-----	-----	-----	-----	-----	603320	603365	603415
2 1/2"	-----	-----	-----	-----	-----	-----	-----	-----	-----	603370	603420
3"	-----	-----	-----	-----	-----	-----	-----	-----	-----	-----	603425



Black Extra Heavy Seamless Nipples											
Nipple Length	Pipe Size, MNPT										
	1/8"	1/4"	3/8"	1/2"	3/4"	1"	1 1/4"	1 1/2"	2"	2 1/2"	3"
Close*	510650	510673	510695	510718	510741	510764	510787	510810	510833	510856	510877
1 1/2"	510651	510672	510693	510717	510740	-----	-----	-----	-----	-----	-----
2"	510649	510674	510696	510719	510742	510765	510788	510811	-----	-----	-----
2 1/2"	510652	510675	510697	510720	510743	510766	510789	510812	510835	-----	-----
3"	510653	510676	510698	510721	510744	510767	510790	510813	510836	510857	-----
3 1/2"	510654	510677	510699	510722	510745	510768	510791	510814	510837	510858	510878
4"	510655	510678	510700	510723	510746	510769	510792	510815	510838	510859	510879
4 1/2"	510656	510679	510701	510724	510747	510770	510793	510816	510839	510860	510880
5"	510657	510680	510702	510725	510748	510771	510794	510817	510840	510861	510881
5 1/2"	510658	510681	510703	510726	510749	510772	510795	510818	510841	510862	510882
6"	510659	510682	510704	510727	510750	510773	510796	510819	510842	510863	510883
7"	510660	510684	510705	510728	510752	510775	510798	510821	510844	510864	510885
8"	510661	510686	510706	510729	510754	510777	510800	510823	510846	510865	510887
9"	510662	510688	510707	510730	510755	510778	510802	510825	510848	510866	510888
10"	510663	510690	510708	510735	510756	510781	510804	510850	510827	510867	510891
11"	510664	510692	510709	510736	510757	510782	510806	510829	510852	510868	510893
12"	510671	510694	510710	510739	510762	510783	510808	510830	510854	510869	510895

\* Minimum length of nipple. Lengths as follows:

Pipe Size	1/8"	1/4"	3/8"	1/2"	3/4"	1"	1 1/4"	1 1/2"	2"	2 1/2"	3"
Length	3/4"	7/8"	1"	1 1/8"	1 3/8"	1 1/2"	1 5/8"	1 3/4"	2"	2 1/2"	2 5/8"

Concentric Extra Heavy Swage Nipples			
Item Number	Pipe Size, MNPT	Item Number	Pipe Size, MNPT
214295	3/4" X 1/2"	214420	2" X 1 1/4"
214315	1" X 1/2"	214425	2" X 1 1/2"
214320	1" X 3/4"	214455	2 1/2" X 1"
214345	1 1/4" X 3/4"	214460	2 1/2" X 1 1/4"
214350	1 1/4" X 1"	214465	2 1/2" X 1 1/2"
214355	1 1/2" X 3/4"	214470	2 1/2" X 2"
214380	1 1/2" X 1"	214500	3" X 1"
214385	1 1/2" X 1 1/4"	214505	3" X 1 1/4"
214410	2" X 3/4"	214515	3" X 2"
214415	2" X 1"	214520	3" X 2 1/2"



Seamless

Swage



Float Gauges are designed to indicate the liquid level contents of Anhydrous-Ammonia(NH3) Containers. These gauges mount in a Senior flanged coupling with a 2 1/2" [51,5] diameter bolt circle.

Senior gauges are supplied standard with Buna-N gasket and four zinc-plated steel mounting screws (5/16"-24 X 7/8"). These gauges are available in top, side or end, and angle mounting for above ground tanks. A Visible "4" Dial is available.

**Note:** Torque mounting bolts evenly to 30 to 60 in-lb. [3,4 to 6,8 Nm]

## Senior NH3 Standard Sizes

Item Number	Part Number	"H" Dimension	Tank Diameter	Head Type	Mount	Case Quantity	Replacement Dials	
							Drop-In Dials	Tabbed Dials
130431	AA130A	1"	24"	Aluminum	Top	40 Pcs.	130018 *	130041
140433	AA160A	1"	30"	Aluminum	Top	40 Pcs.	130018 *	130041
130435	AA194A	1"	37"	Aluminum	Top	40 Pcs.	130018	130041 *
130437	AA214E	1"	41"	Aluminum	Top	40 Pcs.	130018	130041 *
130425	AA240A	1"	46"	Aluminum	Top	40 Pcs.	130018	130041 *
130426	AA250A	1"	48"	Aluminum	Top	40 Pcs.	130018	130041 *
130440	AC130A	1"	24"	Aluminum	45° Angle	40 Pcs.	130018 *	130041
130443	AC160A	1"	30"	Aluminum	45° Angle	40 Pcs.	130018 *	130041
130444	AC194A	1"	37"	Aluminum	45° Angle	40 Pcs.	130018 *	130041
130447	AC214B	1"	41"	Aluminum	45° Angle	40 Pcs.	130018	130041 *
130449	AC240A	1"	46"	Aluminum	45° Angle	40 Pcs.	130018	130041 *
130450	AD080B	1"	24"	Aluminum	Side, End	40 Pcs.	130018 *	130041
130452	AD100D	1"	30"	Aluminum	Side, End	40 Pcs.	130018 *	130041
130455	AD120E	1"	37"	Aluminum	Side, End	40 Pcs.	130018	130041 *
130457	AD140A	1"	41"	Aluminum	Side, End	40 Pcs.	130018	130041 *
130427	AD150A	1"	46"	Aluminum	Side, End	40 Pcs.	130018	130041 *
130459	AD160J	1"	48"	Aluminum	Side, End	40 Pcs.	130018	130041 *

"H" = Distance from tank surface to center of thread.

\*Denotes Standard Dial.

## Senior Gauge Parts

Item Number	Part Number
130119	Sr. Gauge Screw - Slot
130120	Sr. Gauge Screw - Phillips
130122	Sr. Gauge Gasket Buna-N
130130	Sr. Gauge Gasket Teflon
130131	Sr. Gauge Gasket Spirotallic
130104	Sr. Gauge Head Only



# N-Serve SS Gauges



Float Gauges are designed to indicate the liquid level contents of N-Serve Containers. These gauges mount in a Senior flanged coupling with a 2 1/2" [51,5] diameter bolt circle.

Senior gauges are supplied standard with Buna-N gasket and four zinc-plated steel mounting screws (5/16"-24 X 7/8"). These gauges are available in top, side or end, and angle mounting for above ground tanks. A Visible "4" Dial is available.

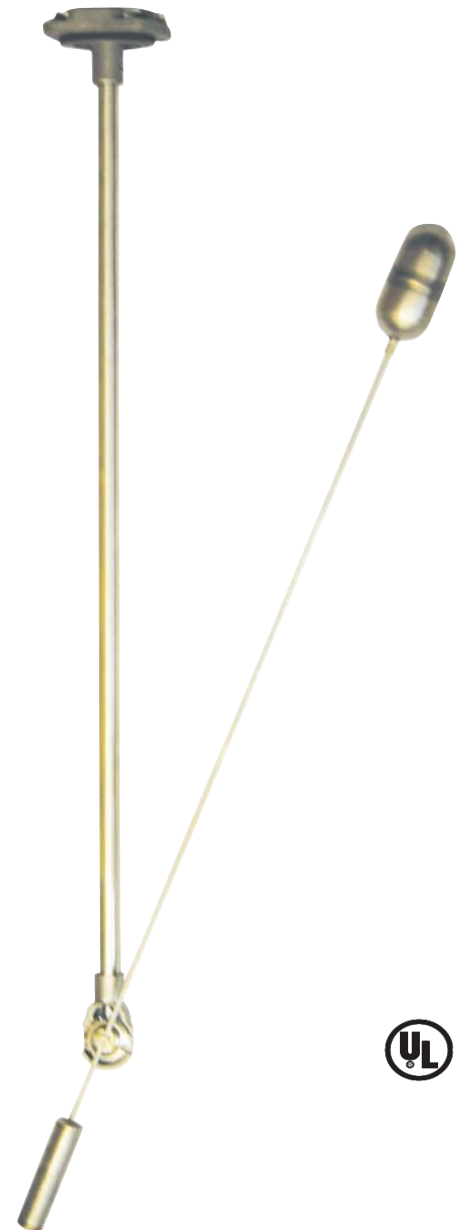
**Note:** Torque mounting bolts evenly to 30 to 60 in.-lb. [3,4 to 6,8 Nm] for Buna-N and Teflon Gaskets. Torque mounting bolts evenly to 115-125 in.-lb. for Spirotallic gasket.

Senior N-Serve SS Standard Sizes								
Item Number	Part Number	"H" Dimension	Tank Diameter	Head Type	Mount	Case Quantity	Replacement Dials	
							Drop-In Dials	Tabbed Dials
290000	AA41SS	41"	24"	Stainless Steel	Top	25 Pcs.	N/A	130041 *
290001	AA46SS	46"	30"	Stainless Steel	Top	25 Pcs.	N/A	130041 *

"H" = Distance from tank surface to center of thread.

\*Denotes Standard Dial.

Senior Gauge Parts	
Item Number	Part Number
403631	Sr. SS Cap Screw
130130	Sr. Gauge Gasket Teflon
130131	Sr. Gauge Gasket Spirotallic



Float Gauges are designed to indicate the liquid level contents of Anhydrous-Ammonia(NH3) Containers. These gauges mount in a junior flanged coupling with a 2 1/32" [51,5] diameter bolt circle.

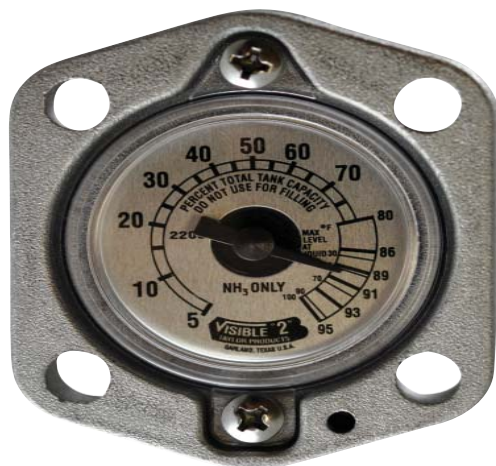
Junior gauges are supplied standard with Buna-N gasket and four zinc-plated steel mounting screws (1/4"-28 X 7/8"). These gauges are available in top, side or end, and angle mounting for above ground tanks. **Note: Torque mounting bolts evenly to 20 to 50 in-lb. [2,3 to 5,6 Nm]**

Junior NH3 Standard Sizes								
Item Number	Part Number	"H" Dimension	Tank Diameter	Head Type	Mount	Case Quantity	Replacement Dials	
							Drop-In Dials	Tabbed Dials
130400	BA124A	1/2"	24"	Aluminum	Top	50 Pcs.	130029 *	130049
130402	BA154A	1/2"	30"	Aluminum	Top	50 Pcs.	130029 *	130049
130403	BA214B	1/2"	41"	Aluminum	Top	50 Pcs.	130029	130049 *

"H" = Distance from tank surface to center of thread.

\*Denotes Standard Dial.

Junior Gauge Parts	
Item Number	Part Number
130118	Jr. Gauge Screw
130121	Jr. Gauge Gasket Buna-N
130134	Jr. Gauge Gasket Teflon
130101	Jr. Gauge Head Only





# Flow Indicators



Indicates direction of flow of Anhydrous Ammonia(NH3) in piping at working pressures up to 500 psig [34 Bar]. The indicator must be installed in piping tees.

The head, center shaft, support tube, bearings and vane in these indicators are made of 300 Series stainless steel. Magnets are nickel-plated Alnico, and the threaded mounting adapters are forged steel. The hermetically sealed dial has a large 4" dial face capable of showing flow in both directions or the absence of flow. **Note: Torque mounting bolts to 140 to 150 in-lb.**

Flow Indicator Standard Sizes			
Item Number	Part Number	Pipe Size	Complete Assembly Includes
130050	5520-2 Complete	2"	5520-2 Flapper, 5520R Dial, 5305 2" Adapter, Screws , Spirotallic Gasket.
130055	5520-2 1/2 Complete *	2 1/2"	5520-2 1/2 Flapper, 5520R Dial, 5305 2" Adapter, Screws, Spirotallic Gasket.
130060	5520-3 Complete **	3"	5520-3 Flapper, 5520R Dial, 5305 2" Adapter, Screws, Spirotallic Gasket.

\* Requires a 2 1/2" X 2" Hex Bushing - Sold Separately. \*\* Requires a 3" X 2" Hex Bushing - Sold Separately.

Flow Indicator Parts	
Item Number	Part Number
130046	5520R Dial *
130065	5520-2 Flapper Only
130070	5520-2 1/2 Flapper Only
130075	5520-3 Flapper Only
130131	Sr. Spirotallic Gasket
403631	SS Cap Screws
130045	5520T Dial *
118405	5305 2" MNPT X Sr. Head Adaptor

\* Includes Dial, Bezel, Bracket & Screws.



130050



130046

## Replacement Dial Ordering Information



Old Style Head



130045

Bracket mounts on top and is secured by two screws on the side of head.

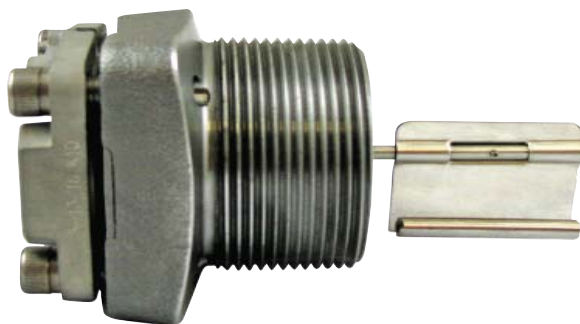


New Style Head



130046

Bracket mounts on top and is secured with dial screws.



5520-2	L Dimension = 3 13/16"
5520-2 1/2	L Dimension = 5 5/16"
5520-3	L Dimension = 5 15/16"

L Dimension is the distance from gasket surface to the end of the flapper.



The Master Series™ liquid-level gauges are designed to indicate the liquid level contents of Anhydrous Ammonia(NH3) in stationary-storage tanks.

The Master Series™ are available in two basic models:

**Model A** - Stainless Steel Senior head which mounts to a 2" MNPT x Senior adaptor.

**Model B** - Stainless Steel head which mounts to a 2 1/2" X 8-Bolt flange adaptor.

Both models incorporate a 8" [100 mm] dial with an available 4" [200 mm] dial. When necessary, the dials are easily replaceable. Standard mounting is end or top mounting. These gauges can be special ordered with angle or straddle mounts. The model A comes standard with cap screws and a Senior spirotallic gasket. The model B comes with a stud and nut kit and spirotallic gasket.

The Master Series™ gauges are designed for working pressures ranging from atmospheric to 450 [31 Bar] psig.

**Note:** Refer to Gauge Instructions for mounting bolt torque specifications.

Master Standard Sizes							
Item Number	Part Number	Tank Diameter	Tank Opening	Model Type	Mount	Standard Dial	Old NH3 Number
138000	ME2434A	72"	2"	A	Side, End	130090	DD240B
138005	ME2434B		2 1/2"	B	Side, End	130090	DD240A
138010	ME2738A	82"	2"	A	Side, End	130090	DD270D
138015	ME2738B		2 1/2"	B	Side, End	130090	DD270G
138020	ME2839A	84"	2"	A	Side, End	130090	DD280G
138025	ME2839B		2 1/2"	B	Side, End	130090	DD280C
138030	ME3245A	96"	2"	A	Side, End	130090	DD320F
138035	ME3245B		2 1/2"	B	Side, End	130090	DD320B
138040	ME3650A	104"-108"	2"	A	Side, End	130090	DD360A
138045	ME3650B		2 1/2"	B	Side, End	130090	DD360B
138050	ME3862A	130"	2"	A	Side, End	130090	DD430B
138055	ME3862B		2 1/2"	B	Side, End	130090	DD380F

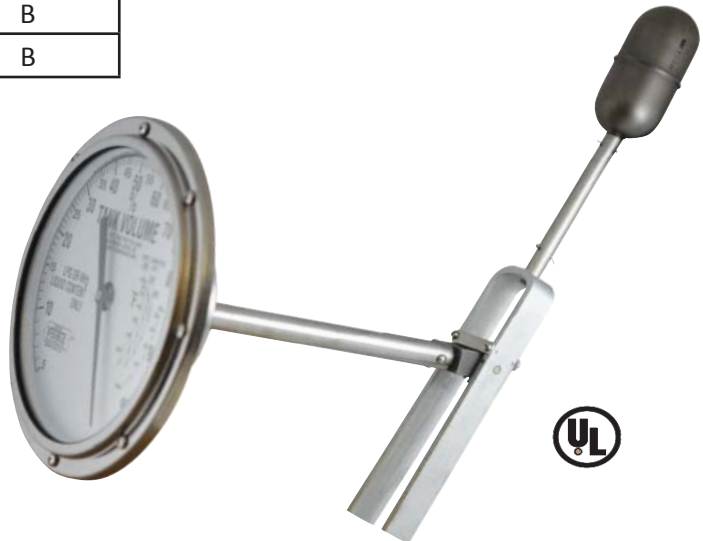
Master Gauge Parts		
Item Number	Part Number	Model Type
130040	Spirotallic Gasket	B
118405	5305 2" MNPT X Sr. Head Adaptor	A
118425	5331 2 1/2" X 8 Bolt Flange Adaptor	B
130206	Master Gasket & Centralizer	B



118405



118425



Old Style Master Gauge Parts		
Item Number	Part Number	Model Type
130130	Sr. Teflon Gasket	A
130202	Model A Head Strap Pre 08	A
130119	Sr. Gauge Screw	A
130205	Master Dial 2-Bkt Kit	A & B
130035	Master Dial LP or NH3 2-Bkt Pre 08	A & B
130030	4607 NH3 Only Dial 2-Bkt Pre 08	A & B
130078	Master R3D Dial LP or NH3 2-Bkt Pre 08	A & B
130076	Master R3D Sender & Cable	A & B
130088	Master Fluorescent Dial LP & NH3 2-BKT	A & B
130094	Master R3D Fluorescent Dial LP & NH3 2-BKT	A & B
130127	Master Dial Screws 1032-1 (2 req.)	A & B
130219	Master Gauge Bolts (8 req.)	B

New Style Master Gauge Parts		
Item Number	Part Number	Model Type
130131	Sr. Spirotallic Gasket	A
130095	Model A Head Strap Post 07	A
403631	Sr. Cap Screw	A
130098	Master Dial 3-Bkt Kit	B
130090	Master Dial LP or NH3 3-Bkt Post 07	B *
130092	4607 NH3 Only Dial 3-Bkt Post 07	B *
130034	Master R3D Dial LP or NH3 3-Bkt Post 07	B *
130076	Master R3D Sender & Cable	A & B
130089	Master Fluorescent Dial LP & NH3 3-BKT	B *
130099	Master R3D Fluorescent Dial LP & NH3 3-BKT	B *
130093	Master Stud Bolt and Nut Kit (8)	B

\* These Dials have 3 blank holes to mount on a Model B only. If you need a Dial for a Model A than you must specify Model A when ordering.

## New Style Heads



Model A



3-Bracket  
Model B

## Old Style Heads



Model A



2-Bracket  
Model B

The RM Series RoadMaster gauges were designed to withstand the vibration and shock inherent in mobile service. Their service life in over-the-road, transports and bobtails, carrying Anhydrous Ammonia(NH3), is unsurpassed. These gauges allow a continuous reading between 5% and 95% of tank contents.

The RM Series RoadMaster gauges are to be installed in the side or end of mobile tanks at the centerline. They are equipped with a spring controlled shock absorber on the float arm which substantially reduces the stress that quickly destroys conventional gauges. Angle mounting gauges are also available.

The standard model mounts in an 8 bolt adaptor and incorporates a 4" [100 mm] dial with an available 8" [200 mm] dial. When necessary, the dials are easily replaceable.

The RM Series RoadMaster gauges are designed for working pressures ranging from atmospheric to 450 [31 Bar] psig.

**Note:** Refer to Gauge Instructions for mounting bolt torque specifications.

RoadMaster Sizes		
Item Number	Part Number	Tank Diameter
131825	RM1425	56"
131830	RM2030	66"
131833	RM1833	72"
131834	RM1834	74"
131836	RM1836	78"-79"
131832	RM2437	80"
131838	RM2438	82"-84"
131840	RM2440	85"-86"
131941	RM2941	87"
131841	RM1841	88"
131842	RM2942	90"
131245	RM3245	96"

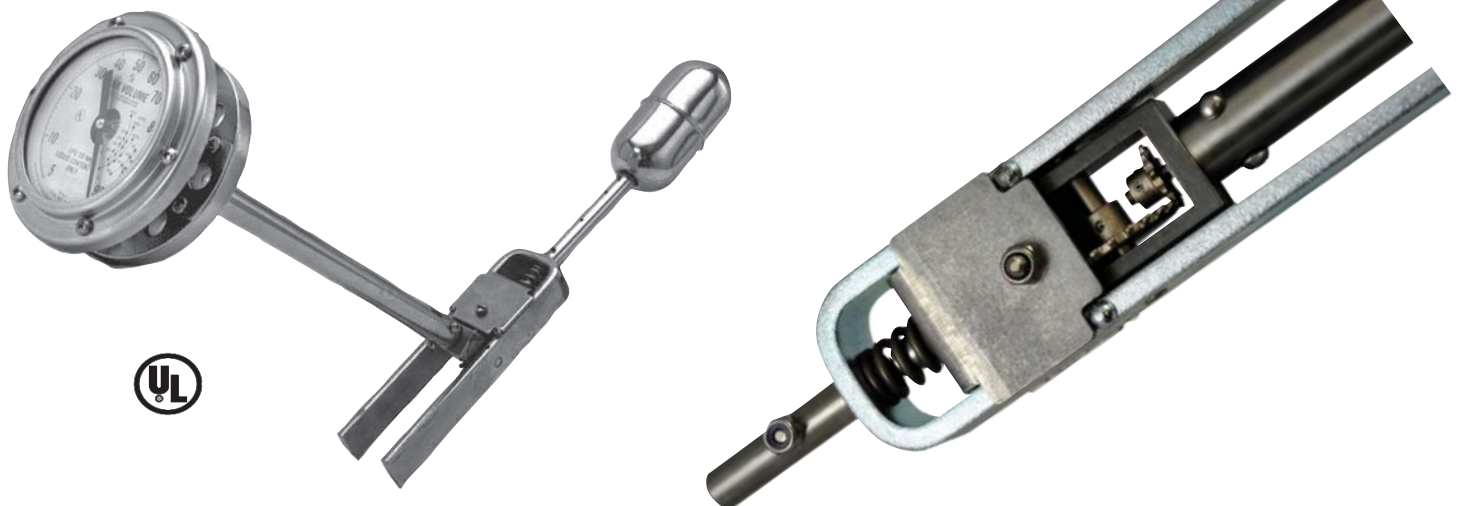
RoadMaster Options	
Suffix	Description
SS	Adds Stainless Steel Counter-Weight
X	Straddle Mount
Y	Includes Adapter To Fit A 2" Opening

Examples:

RM1836SS - A RM1836 with all Stainless Steel construction

RM1836X - A RM1836 for a Straddle Mount

RM1836Y - A RM1836 to fit a 2" opening



RoadMaster Parts	
Item Number	Part Number
130040	Spiritallic Gasket
118425	5331 - 2 1/2" X 8 Bolt Flange Adaptor
131845	RoadMaster Dial Bracket Kit
131839	RoadMaster Dial Assembly Complete
131820	RoadMaster R3D Dial Assembly Complete
130093	Stud Bolt & Nut Kit (not shown)
131823	RoadMaster Angle Bracket Kit
131821	RoadMaster Fluorescent Dial Only
131822	RoadMaster R3D Fluorescent Dial Only
131824	RoadMaster Dial Crystal
131819	RoadMaster Dial Crystal Gasket



131823  
Angle Bracket



131839



131820



131821



131822



The Eliminator™ direct-reading float gauge is a direct replacement for 1" NPT rotary-type dip-tube gauges in NH<sub>3</sub> storage tanks.

These Gauges are designed for larger tanks up to 96" [2134 mm] in diameter. The Eliminator™ is not intended for use in filling tanks - its use is restricted to tanks with fixed liquid level gauges, used to determine when the maximum fill level has been reached.

Eliminator Sizes		
Item Number	Part Number	Tank Diameter
131900	EL4442	42"
131901	EL6046	46"
131902	EL6048	48"
131903	EL6056	56"
131906	EL6060	60"
131909	EL7266	66"
131912	EL7272	72"
131914	EL8474	74"
131916	EL8476	76"
131919	EL8479	79"
131920	EL8480	80"
131921	EL8481	81"
131922	EL8482	82"
131923	EL8484	84"
131925	EL8486	86"
131926	EL8487	87"
131930	EL9696	96"



\* Any Eliminator installed in a mobile tank greater than 60" is excluded from the Taylor Gauge Limited Warranty and cannot be reworked.

## How To Do The Conversion

1. After the storage tank has been evacuated, remove the rotary gauge from the 1" NPT opening at the centerline of the head. Clean and re-tap the female threads.
2. Remove the two screws from the bezel. Put the bezel, screws and dial chamber aside for the moment. Remove the four mounting screws holding the gauge head to the adapter.
3. Insert the lower portion of the replacement gauge, including the float bulb, float arm, gear housing and counterbalance, into the tank opening.
4. Apply three wraps of 1/2" [12 mm] wide Teflon tape, or other suitable thread sealant, to the 1" NPT threads on the steel adapter through which the gauge support passes.
5. Screw the adapter into the tank opening to achieve a leak-tight joint, and align the gauge mounting holes in the horizontal plane.
6. Using the gasket and four mounting screws supplied, attach the gauge to the adapter finger tight. Be sure the gauge is right side up, the bracket tab for locating dial chamber should be on the right. Torque the mounting screws evenly to 140/150 lb. in., [16,4 Nm] using a cross pattern.
7. Reattach the 4" dial chamber and bezel to the Senior™ gauge head brackets using the two screws supplied.
8. If you end up with the dial chamber upside down, you cannot solve the problem by rotating the bracket. You must rotate the entire gauge 180°.



# Rotary Gauges



Fisher® brand rotary gauges can be used on stationary or mobile tanks to visually indicate the amount of Anhydrous Ammonia (NH3) in the container. They are also used in filling the tank to the proper liquid level. On mobile applications and some large stationary storage tanks, hangers are recommended to support the horizontal length of the dip tube.

The Gauge is operated by opening the small bleed orifice when the tube is in the vapor space of the tank. Moving the pointer on the dial causes the end of the tube to move until it contacts liquid in the container. At that point, discharge from the bleed orifice turns from vapor to liquid and the rotary gauge dial gives the volume percentage of liquid in the tank.

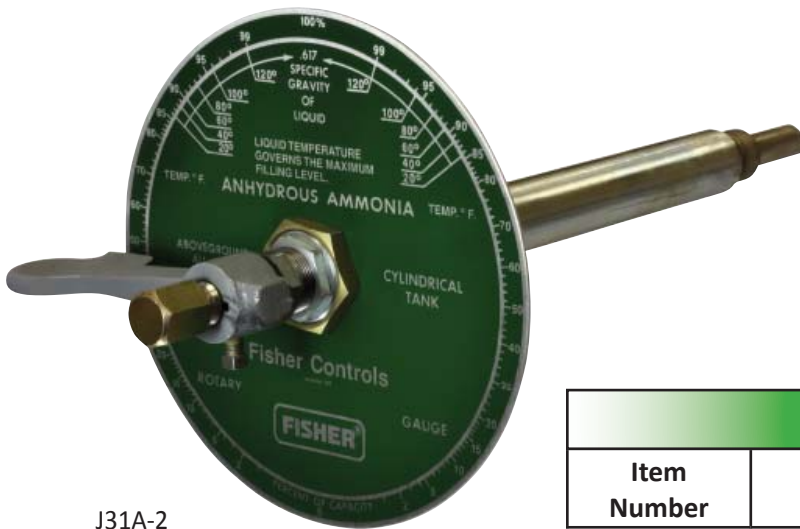
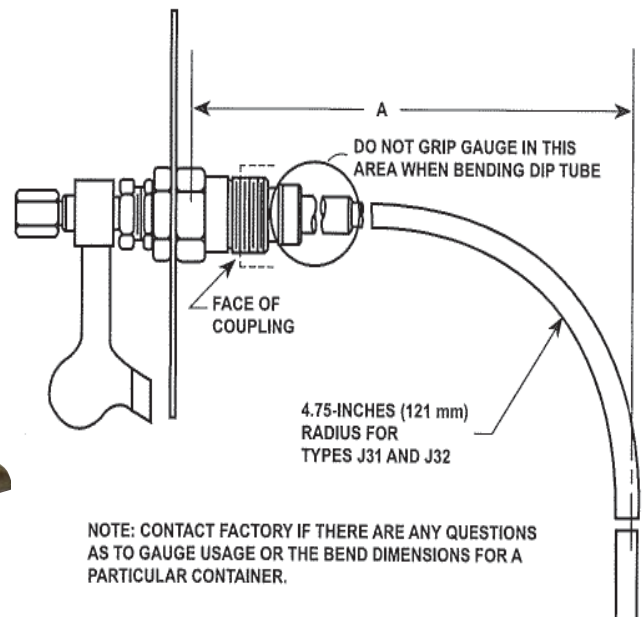
**J31 Series** - consists of heavy duty gauges that minimize vibration effects (swaying, bouncing) by a long (68-inches) (1,73 meters) stem tube extension. Gauges fit 1-inch (25,4 mm) female coupling container connections.

All gauges have stem and dip tubes with an extra large inside diameter. This assures that the correct liquid level can be obtained quickly. A P324 dial is included with the NH3 version.

A nylon packing sleeve and a friction ring for the pointer indicator gives smooth rotation and long service life. Steel and stainless steel materials resist rust or corrosion.

NH3 Rotary Gauges			
Item Number	Part Number	Length	
		Inches	Millimeters
121122	J31A-1	68	1727
121127	J31A-2	69 - 92	1753 - 2337
121132	J31A-3	93 - 108	2362 - 2743
121137	J31A-3L	109 - 140	2769 - 3556

**Each Gauge Must Be Bent Before Installation.**



J31A-2

Rotary Gauge Parts		
Item Number	Part Number	Description
122920	P324	NH3 Dial
128217	T10971-000A2	Cap & Disc Assy.
128139	T10887-19232	Dial Indicator
128209	T10964-24152	Indicator Set Screw

## Shipping Notice:

The J31-1 and J31-2 ship UPS.

The J31-3 and J31-3L will be shipped via motor freight.

The J31-3 if shipped UPS gets an additional oversize charge.



**130018 - 2208 CV NH3 Dial**  
 Guide Hole @ 93%  
 Percentages 5 - 95  
 Above Ground



**130029 - 2208 CV NH3 Dial**  
 Guide Hole @ 5%  
 Percentages 5 - 95  
 Above Ground



**130049 - 2208 NH3 Dial**  
 Jr. Tabbed Heads  
 Percentages 5 - 95  
 NH3 Only



**130041 - 2209 NH3 Dial**  
 Sr. Tabbed  
 Percentages 5 - 95  
 Above Ground



**130025 - 5553T NH3 Dial**  
 Mounts on Old Style Head  
 Percentages 5 - 95  
 Above Ground



**130086 - 5553R NH3 Dial**  
 Mounts on New Style Head  
 Percentages 5 - 95  
 Above Ground



**130088 - Master Dial**  
 Mounts to 2 Bracket Heads  
 LP or NH3  
 8" Fluorescent Master



**130089 - Master Dial**  
 Mounts to 3 Bracket Heads  
 LP or NH3  
 8" Fluorescent Master



**130035 - Master Dial**  
 Mounts to 2 Tabbed Heads  
 LP or NH3  
 8" Master





**130090 - Master Dial**  
Mounts to 3 Tabbed Heads  
LP or NH3  
8" Master



**130030 - 4607 Master Dial**  
Mounts to 2 Tabbed Heads  
NH3 Only  
8" Master



**130092 - 4607 Master Dial**  
Mounts to 3 Tabbed Heads  
NH3 Only  
8" Master



**130015 - 2208 NH3 Dial**  
Sr. Universal  
Percentages 5 - 95  
Glue-On Replacement



**130016 - 2208 NH3 Dial**  
Jr. Universal  
Percentages 5 - 95  
Glue-On Replacement

## Jr. & Sr. Glue-On Dial Instructions \*

1. Determine dial orientation.
2. Break out lens, remove pointer, and bend over stem.
3. Glue on the new dial.



1. Before Installation



2. Ready To Glue



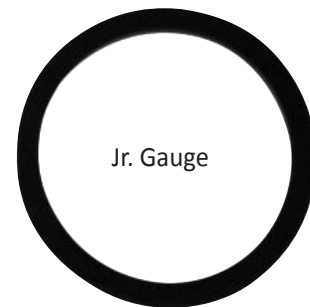
3. After Installation

\* Refer to Dial Kit Instruction Sheet For Complete Instructions, Warnings and Cautions.

Valve Repair Parts & Accessories			
Item Number	Part Number	For Type Number	Description
113022	RB1-2003	RB1-1002 Bracket For RB1, RB1.25, FM125 & FM126	Bracket Retaining Ring
113031	RB1-0024	RB-1	Guide Nut & O-Ring Repair Kit
113033	RB1.25-0024	RB-1.25	
110600	A479-5050	Bushing For Valves With Open Yoke Excess Flow Only	
119300	479-22	AL479	Repair Kit
119303	479-25		Bonnet Assembly
119304	479-1300		Stem & Disc Assembly
119357	1105-22		1105-25, A1578, & A1592

Gaskets & O-Rings							
Item Number	Part Number	Style	Size	Item Number	Part Number	Style	Size
126663	1E8122	Gasket	1 1/4" Acme	129055	T12655	O-Ring	2 1/4" Acme
119337	ST-1102A-16		1 3/4" Acme	127070	ST-1H2917		3 1/4" Acme
126670	ST-1E8126		2 1/4" Acme	130121	Buna-N	Gasket	Jr. Gauge
126673	ST-1E8128		3 1/4" Acme	130122	Buna-N		Sr. Gauge
128169	T10948		4 1/4" Acme	130130	Teflon		Sr. Gauge

Gaskets pictured are actual size.



# NH3 CFM Chart & Properties

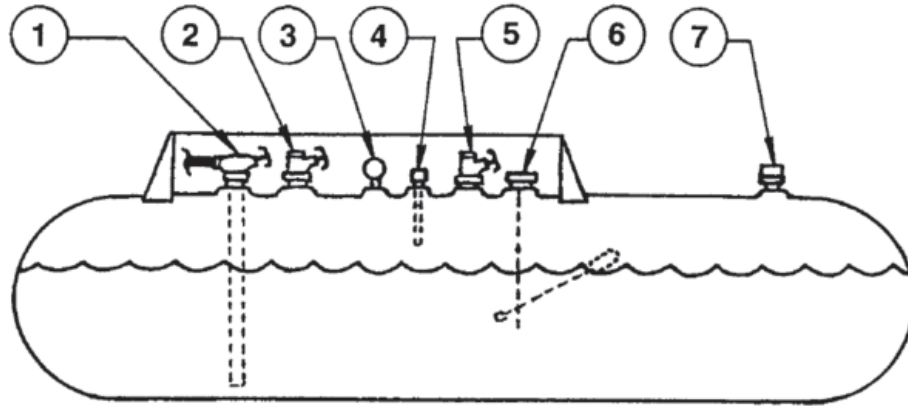


Relief Valve Rate of Discharge							
Surface Area Square Feet	CFM	Surface Area Square Feet	CFM	Surface Area Square Feet	CFM	Surface Area Square Feet	CFM
135	1,240	260	2,120	650	4,480	1,600	9,380
140	1,280	270	2,180	700	4,760	1,650	9,620
145	1,310	280	2,250	750	5,040	1,700	9,860
150	1,350	290	2,320	800	5,300	1,750	10,090
155	1,390	300	2,380	850	5,590	1,800	10,330
160	1,420	310	2,450	900	5,850	1,850	10,560
165	1,460	320	2,510	950	6,120	1,900	10,800
170	1,500	330	2,570	1,000	6,380	1,950	11,030
175	1,530	340	2,640	1,050	6,640	2,000	11,260
180	1,570	350	2,700	1,100	6,900	2,050	11,490
185	1,600	360	2,760	1,150	7,160	2,100	11,720
190	1,640	370	2,830	1,200	7,410	2,150	11,950
195	1,670	380	2,890	1,250	7,660	2,200	12,180
200	1,710	390	2,950	1,300	7,910	2,250	12,400
210	1,780	400	3,010	1,350	8,160	2,300	12,630
220	1,850	450	3,320	1,400	8,410	2,350	12,850
230	1,920	500	3,620	1,450	8,650	2,400	13,080
240	1,980	550	3,910	1,500	8,900	2,450	13,300
250	2,050	600	4,200	1,550	9,140	2,500	13,520

Minimum required rate of discharge in cubic feet per minute (CFM) of air for safety relief valves.  
 Discharge measured @ 60° F. and atmospheric pressure 14.7 psi.

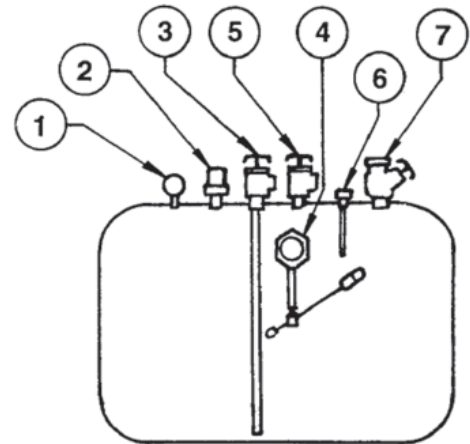
Properties of Anhydrous Ammonia (NH3)	
Color	Colorless
Odor	Pungent - Sharp
Molecular Weight	17.03
Weight per gallon @ 60° F.	5.14 Lb
Weight per cubic foot @ 60° F.	38.45 Lb
Boiling Point @ 760 mm Hg	-33.35° C (-28° F.)
Freezing Point @ 760 mm Hg	-77.7° C (-107.9° F.)





Traditional Nurse Tank		
Key Number	Description	Reference Page
1	Liquid Withdrawal Valve	10
2	Liquid Filler Valve	10
3	Pressure Gauge	23
4	Fixed Liquid Level Gauge	18
5	Vapor Valve	10
6	Magnetic Float Gauge	38 or 39
7	Relief Valve	12

Applicator Tank		
Key Number	Description	Reference Page
1	Pressure Gauge	23
2	Relief Valve	12
3	Liquid Withdrawal Valve	10
4	Magnetic Float Gauge	38
5	Vapor Valve	10
6	Fixed Liquid Level Gauge	18
7	Liquid Filler Valve	10



## Squibb-Taylor's Quality Policy

**We will provide defect-free products and service to our customers and associates.**

**We will fully understand the requirements of our jobs and the systems that support us.**

**We will conform to these requirements at all times.**

Squibb-Taylor, Inc., established in 1947, has been serving the NH<sub>3</sub> industry with quality lines and services for over sixty years.

Squibb-Taylor, Inc., is responsible for the marketing of Taylor's liquid level gauges and PGI International valves for the NH<sub>3</sub> industry. We are also a stocking distributor for other manufactured NH<sub>3</sub> products. **SQUIBB-TAYLOR DOES NOT DESIGN OR MANUFACTURE ANY PRODUCTS IN THIS CATALOG.**

The Dallas facility houses 24,500 square feet of space, of which 14,500 square feet are devoted to its warehouse that stocks some 10,000 separate items.

We wish to thank you for the support and confidence you have shown in Squibb-Taylor and hope relationships will continue for decades to come.

### TERMS & CONDITIONS

#### Payment

To customers with established credit, *net 30 days from date of invoice*. Customers without established credit will be shipped C.O.D., credit card with percentage upcharge or cash in advance.

#### Prices

Prices are subject to change without notice.

#### Shortage Claims

Claims for shortages must be made within 10 days after receipt of shipment.

#### Warranty

Warranties as expressed by individual manufacturers will be honored.

#### Returned Material

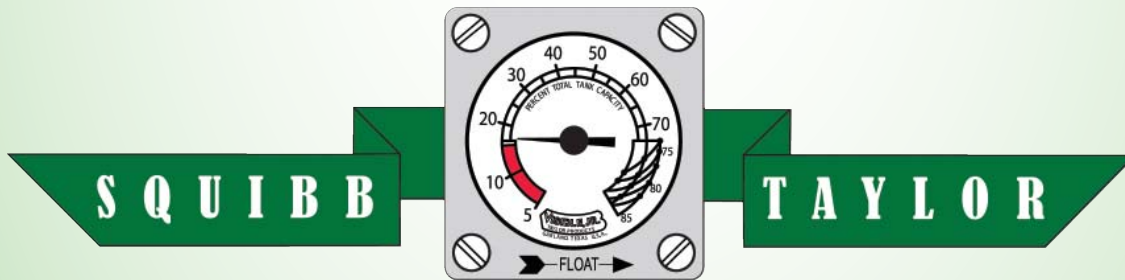
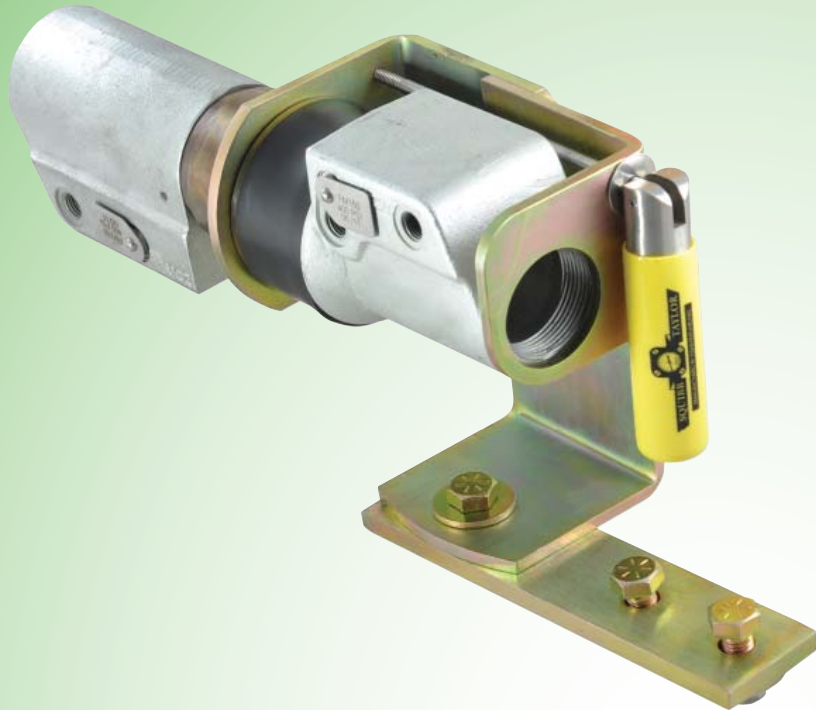
No material should be returned for credit without Seller's prior approval. Transportation charges must be prepaid. A restocking charge may apply. Merchandise returned must be accompanied by a Returned Goods Authorization (RGA) number, which is provided to customer by Squibb-Taylor.

#### Taxes

Buyer shall be liable for all Sales, Use, or Excise taxes not included in total invoice price.

#### Special Orders

On special items we order that are not normal stock items, we cannot accept cancellations or returns and may require prepayment at the discretion of Squibb-Taylor.



Visit our Website @ [www.squibbtaylor.com](http://www.squibbtaylor.com) for Updates, Changes, New Products & IOM Manual - (Installation, Operation, & Maintenance Instructions)

10480 Shady Trail Suite #106  
Dallas, Tx. 75220

[www.squibbtaylor.com](http://www.squibbtaylor.com)

800-345-8105  
Fax 214-357-5923