

ANVIL-STRUT™

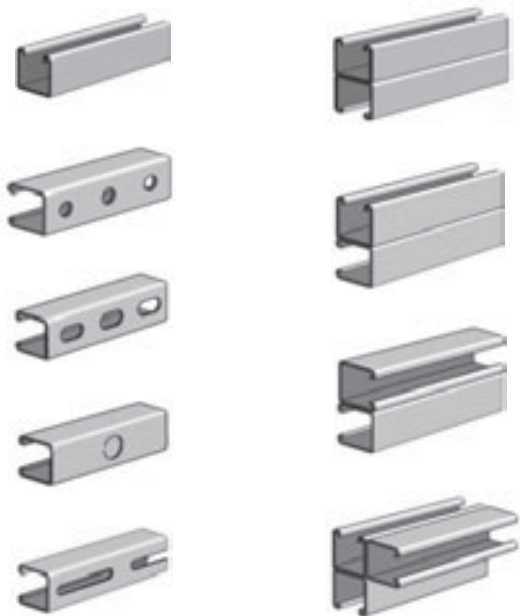
A BRAND OF ANVIL INTERNATIONAL

ANVIL-STRUT™ METAL FRAMING CONDENSED ENGINEERING CATALOG AND PRICE SHEET

AS - 6.06 • EFFECTIVE June 12, 2006

Cancels Price List AS - 12.05

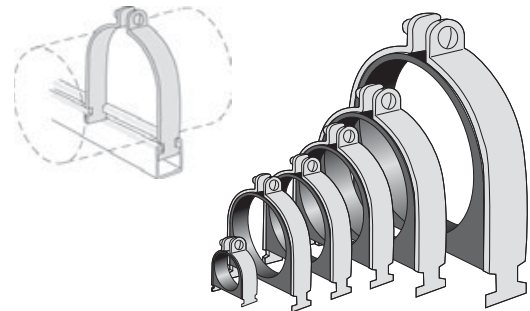
CHANNEL



SPRING NUTS



PIPE AND CONDUIT SUPPORTS



FITTINGS & ACCESSORIES



SUBJECT TO CHANGE WITHOUT NOTICE.
GO TO WEB SITE FOR MOST CURRENT
LIST PRICE INFORMATION/CHANGES
OR CONTACT AN ANVIL REPRESENTATIVE.

www.anvilintl.com

Today Anvil International is the largest and most complete fitting and hanger manufacturer in the world.

2004 Anvil International acquires Star Pipe Products, Building and Construction Divisions (SPF) and forms Anvil Star Fire Products Division.

2001 Anvil International acquires Merit Manufacturing and Beck Manufacturing.

2000 The industry's trusted manufacturer of pipe fittings, hangers and grooved fittings is renamed Anvil International, Inc.

1999 Tyco sells the distribution and manufacturing operations known up to this point as Grinnell Supply Sales, but keeps the "Grinnell" name.

1994 J.B. Smith and Catawissa join the Grinnell Supply Sales and Manufacturing division.

1969 Grinnell Co. acquired by International Telephone and Telegraph. Two years later, ITT divests the Fire Protection Division, but keeps the manufacturing and sales divisions that will become known as Anvil International.

1960 Gruvlok line of grooved fittings is introduced.

1919 General Fire Extinguisher Co. becomes Grinnell Co.

1909 Frederick Grinnell opens a foundry in Cranston, RI. Companies express interest in buying its piping products, laying the groundwork for what would become the Grinnell Supply Sales Division. It would be these manufacturing and sales operations that eventually become Anvil International.

1850 Providence Steam & Gas Pipe Co. is formed, and Frederick Grinnell purchases a controlling interest.

Grinnell is a registered trademark of Grinnell Corporation, a Tyco International LTD. company.

TRUSTED FOR 150 YEARS

We built our reputation from the ground up.

Anvil's history stretches back to the mid 1800s, when a company named Grinnell® began providing its customers with the finest quality pipe products. Since 2000, those quality products and services—and the people who provide them—have been known as Anvil International. Anvil customers receive the quality and integrity that have been building strong connections in both products and business relationships for over 150 years.

Focused Product Line:

Anvil® Malleable and Cast Iron Fittings

Anvil® Hangers, Supports and Struts

Beck Welded Pipe Nipples

Anvil® Seamless Pipe Nipples

Anvil® Steel Pipe Couplings and Small Steel Fittings

Merit® O'Lets and Drop Nipples

Gruvlok® Couplings, Fittings and Valves

SPF™ Imported Cast Iron and Ductile Iron Fittings

SPF™ Grooved Fittings and O'Lets

J.B. Smith Swage Nipples and Bull Plugs

Catawissa® Wing Unions and Check Valves



BUILDING CONNECTIONS THAT LAST



ANVIL BRANDS:



TABLE OF CONTENTS

Section	Description	Page
–	Pictorial Index	4 – 13
1	Channel	14 – 35
2	Channel Nuts and Hardware	36 – 40
3	Fittings and Accessories	41 – 69
4	Pipe and Conduit Supports	70 – 76
5	Klo-Shure®	77 – 78
6	Concrete Inserts	79 – 81
7	Specialty Strut	82 – 98
8	Technical Information	99 – 110
—	Product Index	111 – 114
—	Terms and Conditions	115

PRODUCT CODES

Code	Product Category
AA	Channels
A	1100, 1100AS, 1200, 619, Cushion Clamps, ASNS, ASRS
B	Other Pipe Clamps
C	Channel Nuts
D	General Fittings Hardware
E	Concrete Inserts
F	Klo-Shure®

TO OUR VALUED CUSTOMERS

Anvil-Strut™ products are carefully designed and manufactured to the listed standards, as applicable. However, Anvil-Strut™ reserves the right to revise product design without notification. Anvil-Strut™ products included in this catalog are intended for installation and service only as described or specified herein. Care should be exercised by installers and end-users to install, use and maintain these products properly to avoid any possible on-the-job accidents. Prices subject to change without notice.

PICTORIAL INDEX

CHANNELS



AS 100
Channel

Size: 1 1/2" x 3 1/2" x 12 GA.

Page 26



AS 100EH
Channel w/ Elongated Holes

Size: 1 1/2" x 3 1/2" x 12 GA.

3/8" x 1 1/8" Elongated Holes on 2" Centers

Page 26



AS 100KO
Channel w/ Knock Outs

Size: 1 1/2" x 3 1/2" x 12 GA.

7/8" Knock Outs on 6" Centers

Page 26



AS 100H
Channel w/ Holes

Size: 1 1/2" x 3 1/2" x 12 GA.

3/8" Holes on 17/8" Centers

Page 26



AS 100S
Channel w/ Long Slots

Size: 1 1/2" x 3 1/2" x 12 GA.

13/32" x 3" Slots on 4" Centers

Page 26



AS 100BTB
Welded Channel

Size: 1 1/2" x 6 1/2" x 12 GA.

Two Pcs. AS 100 Welded Back-to-Back

Page 26



AS 150
Channel

Size: 1 1/2" x 2 1/8" x 12 GA.

Page 27



AS 150EH
Channel w/ Elongated Holes

Size: 1 1/2" x 2 1/8" x 12 GA.

3/8" x 1 1/8" Elongated Holes on 2" Centers

Page 27



AS 150KO
Channel w/ Knock Outs

Size: 1 1/2" x 2 1/8" x 12 GA.

7/8" Knock Outs on 6" Centers

Page 27



AS 150H
Channel w/ Holes

Size: 1 1/2" x 2 1/8" x 12 GA.

3/8" Holes on 17/8" Centers

Page 27



AS 150S
Channel w/ Long Slots

Size: 1 1/2" x 2 1/8" x 12 GA.

13/32" x 3" Slots on 4" Centers

Page 27



AS 150BTB
Welded Channel

Size: 1 1/2" x 4 1/8" x 12 GA.

Two Pcs. AS 150 Welded Back-to-Back

Page 27



AS 200
Channel

Size: 1 1/2" x 1 1/2" x 12 GA.

Page 28



AS 200EH
Channel w/ Elongated Holes

Size: 1 1/2" x 1 1/2" x 12 GA.

3/8" x 1 1/8" Elongated Holes on 2" Centers

Page 28



AS 200KO
Channel w/ Knock Outs

Size: 1 1/2" x 1 1/2" x 12 GA.

7/8" Knock Outs on 6" Centers

Page 28



AS 200H
Channel w/ Holes

Size: 1 1/2" x 1 1/2" x 12 GA.

3/8" Holes on 17/8" Centers

Page 28



AS 200S
Channel w/ Long Slots

Size: 1 1/2" x 1 1/2" x 12 GA.

13/32" x 3" Slots on 4" Centers

Page 28



AS 200BTB
Welded Channel

Size: 1 1/2" x 3 1/2" x 12 GA.

Two Pcs. AS 200 Welded Back-to-Back

Page 28



AS 200STS
Welded Channel

Size: 1 1/2" x 3 1/4" x 12 GA.

Two Pcs. AS 200 Welded Side-to-Side

Page 29



AS 200BTS
Welded Channel

Size: 1 1/2" x 3 1/4" x 12 GA.

Two Pcs. AS 200 Welded Side-to-Back

Page 29



AS 200STR
Welded Channel

Size: 1 1/2" x 3 1/4" x 12 GA.

Two Pcs. AS 200 Welded Side-to-Opposite Side

Page 29



AS 200BTS
Welded Channel

Size: 1 1/2" x 3 1/4" x 12 GA.

Three Pcs. AS 200 Welded Side-to-Side

Page 29



AS 200BTF3
Welded Channel

Size: 1 1/2" x 3 1/4" x 12 GA.

Page 29



AS 210
Channel

Size: 1 1/2" x 1 1/2" x 14 GA.

Page 30



AS 210EH
Channel w/ Elongated Holes

Size: 1 1/2" x 1 1/2" x 14 GA.

3/8" x 1 1/8" Elongated Holes on 2" Centers

Page 30



AS 210KO
Channel w/ Knock Outs

Size: 1 1/2" x 1 1/2" x 14 GA.

7/8" Knock Outs on 6" Centers

Page 30



AS 210H
Channel w/ Holes

Size: 1 1/2" x 1 1/2" x 14 GA.

3/8" Holes on 17/8" Centers

Page 30



AS 210S
Channel w/ Long Slots

Size: 1 1/2" x 1 1/2" x 14 GA.

13/32" x 3" Slots on 4" Centers

Page 30



AS 210BTB
Welded Channel

Size: 1 1/2" x 3 1/2" x 14 GA.

Two Pcs. AS 200 Welded Back-to-Back

Page 30

PICTORIAL INDEX

CHANNELS (Continued)



AS 300
Channel
Size: 1 1/2" x 1 1/2" x 12 GA.
Page 31



AS 300EH
Channel w/ Elongated Holes
Size: 1 1/2" x 1 1/2" x 12 GA.
3/8" x 1 1/8" Elongated Holes on
2" Centers
Page 31



AS 300KO
Channel w/ Knock Outs
Size: 1 1/2" x 1 1/2" x 12 GA.
7/8" Knock Outs on 6" Centers
Page 31



AS 300H
Channel w/ Holes
Size: 1 1/2" x 1 1/2" x 12 GA.
9/16" Holes on 1 7/8" Centers
Page 31



AS 300S
Channel w/ Long Slots
Size: 1 1/2" x 1 1/2" x 12 GA.
1 1/2" x 3" Slots on 4" Centers
Page 31



AS 300BTB
Welded Channel
Size: 1 1/2" x 2 1/2" x 12 GA.
Two Pcs. AS 300 Welded
Back-to-Back
Page 31



AS 400
Channel
Size: 1 1/2" x 1" x 12 GA.
Page 32



AS 400EH
Channel w/ Elongated Holes
Size: 1 1/2" x 1" x 12 GA.
3/8" x 1 1/8" Elongated Holes on
2" Centers
Page 32



AS 400KO
Channel w/ Knock Outs
Size: 1 1/2" x 1" x 12 GA.
7/8" Knock Outs on 6" Centers
Page 32



AS 400H
Channel w/ Holes
Size: 1 1/2" x 1" x 12 GA.
9/16" Holes on 1 7/8" Centers
Page 32



AS 400S
Channel w/ Long Slots
Size: 1 1/2" x 1" x 12 GA.
1 1/2" x 3" Slots on 4" Centers
Page 32



AS 400BTB
Welded Channel
Size: 1 1/2" x 2" x 12 GA.
Two Pcs. AS 400 Welded
Back-to-Back
Page 32



AS 500
Channel
Size: 1 1/2" x 1 3/8" x 14 GA.
Page 33



AS 500EH
Channel w/ Elongated Holes
Size: 1 1/2" x 1 3/8" x 14 GA.
3/8" x 1 1/8" Elongated Holes on
2" Centers
Page 33



AS 500H
Channel w/ Holes
Size: 1 1/2" x 1 3/8" x 14 GA.
9/16" Holes on 1 7/8" Centers
Page 33



AS 500S
Channel w/ Long Slots
Size: 1 1/2" x 1 3/8" x 14 GA.
1 1/2" x 3" Slots on 4" Centers
Page 33



AS 500BTB
Welded Channel
Size: 1 1/2" x 1 1/2" x 14 GA.
Two Pcs. AS 500 Welded
Back-to-Back
Page 33



AS 520
Channel
Size: 1 1/2" x 1 3/8" x 12 GA.
Page 34



AS 520EH
Channel w/ Elongated Holes
Size: 1 1/2" x 1 3/8" x 12 GA.
3/8" x 1 1/8" Elongated Holes on
2" Centers
Page 34



AS 520H
Channel w/ Holes
Size: 1 1/2" x 1 3/8" x 12 GA.
9/16" Holes on 1 7/8" Centers
Page 34



AS 520S
Channel w/ Long Slots
Size: 1 1/2" x 1 3/8" x 12 GA.
1 1/2" x 3" Slots on 4" Centers
Page 34



AS 520BTB
Welded Channel
Size: 1 1/2" x 1 1/2" x 12 GA.
Two Pcs. AS 520 Welded
Back-to-Back
Page 34



AS 560
Channel
Size: 1 1/2" x 1 3/8" x 16 GA.
Page 35



AS 560EH
Channel w/ Elongated Holes
Size: 1 1/2" x 1 3/8" x 16 GA.
3/8" x 1 1/8" Elongated Holes on
2" Centers
Page 35



AS 707
Raceway Closure Strip
For All 1 1/2" Width Channels
(10' Length)
Page 35



AS 707P
Painted Closure Strip
For All 1 1/2" Width Channels
(10' Length)
Page 35

CHANNEL NUTS



AS LS
Clamping Nut w/ Long Spring
Use with AS 100 & AS 150
Page 37



AS NS
Clamping Nut without Spring
Use with all 1 1/2" wide channel
Page 37



AS RS
Clamping Nut
w/ Regular Spring
Use with AS 200, AS 210 &
AS 300
Page 37



AS SS
Clamping Nut
w/ Short Spring
Use with AS 400 & AS 500
Page 37



AS TG
Clamping Nut
w/ Short Spring
Use with all 1 1/2" wide channel
Page 38



AS 517
Stud Nut
w/ RS Spring
Page 38

PICTORIAL INDEX

CHANNEL HARDWARE



AS 3281
Double Conveyor
Adjusting Nut
Use with all 1 1/2" wide channel
Page 38



AS 83
Hexagon Nut
Page 38



Fig. 135
Rod Coupling
Page 38



Fig. 146
Continuous Threaded Rod
Page 38



AS 203
Linked Eyelet w/ Stud
Page 39



AS 209
Flat Washer
Page 39



AS 211
Lock Washer
Page 39



AS 230
Fender Washer
Page 39



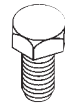
AS 6075
Slotted Hex Head
Machine Screw
Page 39



AS 6108
Square Nut
Page 39



AS 3500
Seismic Rod Stiffener
Page 40



AS 6024
Hex Head Cap Screw
Page 40

CLAMPS & ACCESSORIES



AS 85
Rod or Insulator Support
Page 41



Fig. 86
Clamp w/ Lock Nut
Page 41



Fig. 93
Top Beam "C" Clamp
Size Range: 3/8" thru 1/2"
Page 41



Fig. 94
Top Beam "C" Clamp
Size Range: 5/8" thru 3/4"
Page 41



Fig. 95
Clamp w/ Lock Nut
Page 41



AS 135X
Light Duty Beam Clamp
Page 42



AS 684
Beam Clamp
Page 49



AS 685
Beam Clamp
Page 49



AS 686
Beam Clamp
Page 49



AS 855
Angular "C" Beam Clamp
AS 855 1 - Use with AS 200 &
AS 210.
AS 855 1 - Use with AS 500.
Page 56



AS 858
Heavy Duty Suspension
Rod Beam Clamps
Safety Anchor Strap AS 871
Sold Separately.
Page 56



AS 865
Wide Throat Heavy Duty
Beam Clamp
Safety Anchor Strap AS 871
Sold Separately.
Page 56



AS 871
Safety Anchor Strap
(For Heavy Duty Beam Clamps)
Page 56



AS 907
"I" Beam Clamp
Includes Cup Point Set Screw.
Page 57



AS 998
"I" Beam Clamp
Includes Set Screw.
Page 60



AS 2623
Swivel Adapter
Use with AS 2622 Beam
Clamp.
Page 64



AS 2651
Beam Clamp
Page 66



AS 2656
"U" Bolt Beam Clamp w/
Hook
Page 66



AS 2657
Double "U" Bolt Beam
Clamp
Page 66

PICTORIAL INDEX

PLATES



AS 601
Two Hole Splice Plate
Page 42



AS 602
Three Hole Splice Plate
Page 42



AS 617
Three Hole Swivel Plate
Page 45



AS 620
Two Hole Connecting Plate
Page 45



AS 712
Cross Plate
Page 51



AS 714
"T" Plate
Page 51



AS 715
"T" Plate - 90°
Page 51



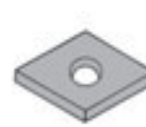
AS 718
Flat Angle Plate
Page 51



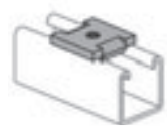
AS 719
Four Hole Corner Plate
Page 51



AS 888
Four Hole Splice Plate
Page 57



AS 619
Square Washer
Page 45



AS 2504
Square Washer with
Channel Guide
Page 62

SPLICE CLEVIS



AS 631
Two Hole Splice Clevis
Use with AS 200 & AS 210.
Page 46



AS 644
Two Hole Splice Clevis
Use with AS 500 & AS 520.
Page 46



AS 629
Three Hole Splice Clevis
Use with AS 200 & AS 210.
Page 45



AS 645
Three Hole Splice Clevis
Use with AS 500 & AS 520.
Page 46



AS 616
Four Hole Splice Clevis
Use with AS 200 & AS 210.
Page 44



AS 646
Four Hole Splice Clevis
Use with AS 500.
Page 46

"U" SUPPORTS



AS 613
"U" Support
Use with AS 200, AS 210 & AS 500BTB.
Page 44



AS 679
"U" Support
Use with AS 100, AS 200BTB & AS 210BTB.
Page 49



AS 710
"U" Support
Use with AS 300.
Page 50



AS 929
"U" Support
Use with AS 500 & AS 520.
Page 59



AS 978
"U" Support
Use with AS 400.
Page 59



AS 2119
"U" Connector
Page 60



AS 2648
"U" Support
Use with AS 150.
Page 65



AS 687
Slotted "U" Support
Use with AS 200 & AS 210.
Page 50



AS 721
"U" Support
Use with AS 100, AS 200BTB & AS 210BTB.
Page 52



AS 678
Three Hole "U" Support
Use with AS 150 BTB.
Page 49

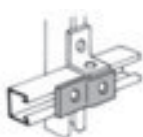


AS 733
Six Hole "U" Support
Use with AS 200 & AS 210.
Page 52



AS 735
Eight Hole "U" Support
Use with AS 200BTB.
Page 52

"Z" SUPPORTS



AS 609
Two Hole Offset "Z" Support
Page 43



AS 611
"Z" Support
Use with AS 200, AS 210 & AS 500BTB.
Page 43



AS 612
"Z" Support
Use with AS 400.
Page 44



AS 711
"Z" Support
Use with AS 300.
Page 50



AS 928
"Z" Support
Use with AS 500 & AS 520.
Page 59



AS 2601
"Z" Support
Use with AS 150.
Page 64

PICTORIAL INDEX

ANGLE FITTINGS and CONNECTORS



AS 603
Two Hole End Angle
Page 42



AS 604
Two Hole Corner Angle
Page 42



AS 624
Two Hole Closed Angle
Connector
Page 45



AS 633
Two Hole Open Angle
Connector
Page 46



AS 763, AS 764
Slotted Adjustment Corner
Angle
Page 54



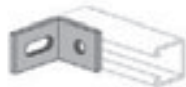
AS 806
Two Hole Angle with
Impressions on Both Legs
Page 54



AS 921
One Hole Angle
Page 57



AS 2144
Corner Angle
Page 61



AS 2520
Two Hole Adjustment Angle
Page 62



AS 2545
Slotted 90° Angle
Page 64



AS 605
Three Hole Corner Angle
Page 43



AS 606
Three Hole Corner Angle
Page 43



AS 745
Three Hole Corner Angle
Page 53



AS 3049
Two Hole Slotted 90°
Corner Connector
Page 67



AS 607
Four Hole Corner Angle
Page 43



AS 781
Four Hole Open Angle
Connector
Page 54



AS 793
Four Hole Closed Angle
Connector
Page 54



AS 614
Four Hole Joint Corner Angle
Page 44



AS 615
Four Hole Shelf Joint Angle
Connector
Page 44



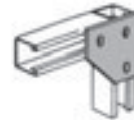
AS 689
Adjustable Double Slotted
Corner Connector
Page 50



AS 748
Four Hole Corner Joint
Connector
Page 53



AS 927
Five Hole Corner Connector
Page 58



AS 744
Flat Corner Connector
Page 53



AS 750
Four Hole Corner Connector
Page 53



AS 2190
Flat Corner Connector
Page 61



AS 747
Symmetrical Four Hole
Connector
Page 53



AS 854
Flat Connector
Page 55



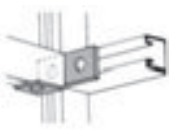
AS 925
Symmetrical Three Hole
Joint Connector
Page 58



AS 2112
Cross Connector
Page 60



AS 665
Four Hole Double Corner
Connector
Page 47



AS 720
RH & LH Angle Plate
Connector
Page 52



AS 922 RH & LH
Two Hole Single Corner
Angle Connector
Page 58



AS 923
Five Hole Two Angle
Connector
Page 58



AS 2128 RH & LH
Six Hole Corner Connector
Page 60



AS 666
Six Hole Double Corner
Connector
Page 48



AS 821
Eight Hole Double Angle
Connector
Page 55

PICTORIAL INDEX

ANGLE FITTINGS and CONNECTORS (Continued)



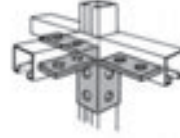
AS 667
Eight Hole Double Corner
Connector
Page 48



AS 913
Ten Hole Two Angle Clevis
Connector
Page 57



AS 668
Six Hole Three Angle
Connector
Page 48



AS 669
Twelve Hole Three Angle
Clevis Connector
Page 48



AS 2560, AS 2561
Conduit Connector Fitting
Assembly
Page 64



AS 3060
Offset Connector
Page 68



AS 9402
Two Hole Hinge Connector
Page 69



AS 9403
Three Hole Hinge Connector
Page 69



AS 9404
Four Hole Hinge Connector
Page 69



AS 677
Cup Support for Standard
Single Strut
Use with AS 200 & AS 210.
Page 48



AS 993
Inside Clevis
Page 59



AS 2401 thru AS 2403
Ladder Rung
Page 61

BRACKETS



AS 651
Reversible Strut Bracket
Page 47



AS 661 T1
Strut Bracket (Slot Up)
Page 47



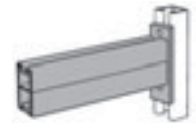
AS 661 T2
Strut Bracket (Slot Down)
Page 47



AS 708
Single Channel Bracket
Support
Use with AS 200, AS 210 &
AS 500BTB.
Page 50



AS 732
Shelf Bracket
Page 52



AS 809
Double Channel Bracket
Page 54



AS 825 RH/LH
Pipe Axle Support
Page 55



AS 838 RH/LH
6" thru 30" Shelf Bracket
Page 55



AS 926
Strut Brace
Page 58



AS 2404 thru AS 2408
Wall Ladder Bracket
Page 61



AS 2421
45° Stair Tread Support
Page 61



AS 2422
37 1/2° Stair Tread Support
Page 62



AS 3164
Double Channel Bracket
Support
Use with All 3/4" Channels.
Page 68



AS 3373
Universal Angle Bracket
Page 68



AS 2627
Spacer Clevis
Page 65



AS 2654, AS 2654A
Column Attachment
Page 66

PICTORIAL INDEX

POST BASES



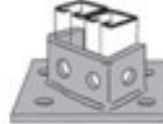
AS 2064
Double Column Post Base
Use with AS 100, AS 200BTB,
AS 200STS, AS 200BTS &
AS 200STSR Channel.
Page 60



AS 3013
Single Column Post Base
Use with AS 200 & AS 210.
Page 66



AS 3025
Post Base
Use with AS 200 & AS 210.
Page 67



AS 3029
Double Column Post Base
Use with all 3/4" Channels.
Page 67



AS 3033
Post Base
Use with AS 200 & AS 210.
Page 67



AS 3040
Post Base
Use with AS 200 & AS 210.
Page 67



AS 3064
Double Column Post Base
Use with all 3/4" Channels.
Page 68



AS 9400
Adjustable Base
Page 69

TROLLEYS & ACCESSORIES



AS 2521
Two Wheel Trolley
Use with AS 200 Channel.
Page 62



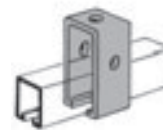
AS 2522
Four Wheel Trolley
Use with AS 200 Channel.
Page 63



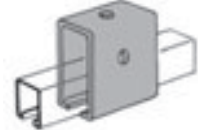
AS 2524
Two Wheel Light Duty Trolley
Page 63



AS 2525
Four Wheel Light Duty Trolley
Page 63



AS 2528
Trolley Beam Standard
Support
Use with AS 200 & AS 210.
Page 63



AS 2528-1
Trolley Beam Joint Support
Use with AS 200 & AS 210.
Page 63

PIPE & CONDUIT SUPPORTS



AS 51
Right Angle Pipe or Conduit
Clamp
Page 70



FIG. 67
Pipe or Conduit Hanger
Page 70



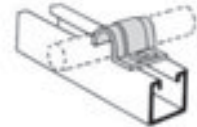
FIG. 69
Swivel Ring Hanger
Page 70



FIG. 137
"U" Bolt with Nuts Long
Tangent
Page 70



AS 270
Conduit Clamp
Page 71



AS 1450
One Hole Clamp for O.D.
Tubing
Page 74



AS 3101 thru AS 3115
One Piece Cable and
Conduit Clamp
Page 75



AS 3126
Hold Down Clamp
Page 75



AS 1000
EMT Conduit Clamps
Non-Assembled &
Pre-Assembled
Page 71



AS 1100
Rigid Steel Conduit Clamps
Non-Assembled &
Pre-Assembled
Page 72



AS 1200
O.D. Tubing Clamp
Page 73



AS 1300
Universal Pipe Clamp
Non-Assembled &
Pre-Assembled.
Page 74

PICTORIAL INDEX

PIPE & CONDUIT SUPPORTS (Continued)



AS 815
(6" to 18" Pipe) Double
Roller Pipe Support
Page 71



AS 1901
(1" - 8" Pipe) Pipe Roller
Support
Page 74



AS 1902
Pipe Roller Support
Page 74



AS 1911
Pipe Roller
Page 75



AS 2631
Swing Gate Fixture Hanger
Use with AS 200, AS 210,
AS 300, AS 400 and
AS 500 Channels.
Page 65



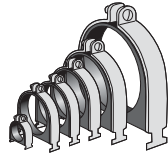
AS 2631D
Swing Gate Fixture Hanger
Use with AS 100, AS 150,
AS 200BTB and AS 210BTB
Channels.
Page 65



AS 3138
Parallel Pipe Clamp
Page 75



AS 3792
Cushion Strip
Page 76



AS 0040D thru AS 106P
Cushion Clamp Assembly
Page 76



Klo-Shure®
Insulation Coupling Clevis
Hanger/Ring Hanger
Page 77



Klo-Shure®
Strut-Mounted Insulation
Couplings with Strut Clamp
Page 78

CONCRETE INSERTS



FIG. 152
Screw Concrete Insert
Page 79



FIG. 284
Concrete Deck Insert
Page 81



FIG. 285
Light Weight Concrete Insert
Page 79



AS 349
Continuous Concrete Insert
with or without Closure Strip
and End Cap Installed
Pages 79 & 80



AS 449
Continuous Concrete Insert
with or without Closure Strip
and End Cap Installed
Page 80



AS 6151
Plastic Closure Strip
Page 81

END CAPS



AS 653
Type "B" End Cap
Use with AS 349 Insert.
Page 81



AS 654
Type "B" End Cap
Use with AS 449 Insert.
Page 81



AS 655, AS 656
Type "A" End Cap
Use with AS 200 Channel.
Use with AS 300 Channel
and AS 349 Insert.
Page 47



AS 901, AS 902
Type "A" End Cap
Use with AS 100 and
AS 400 Channel.
Page 57



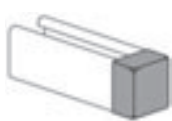
AS 930
Type "A" End Cap
Use with AS 500 Channel.
Page 59



AS 2511
End Cap with Knock Out
Page 62



AS 2580
Type "A" End Cap
Use with AS 150 Channel.
Page 64



AS 6153
Safety End Cap
Page 68

PICTORIAL INDEX

SPECIALTY STRUT (Stainless Steel • Zinc Dichromate • Hot Dipped Galvanized)



AS 200 SS/ZD/HG
Channel
Size: 1 1/2" x 1 1/2" x 12 GA.
Page 86



AS 200EH SS/ZD/HG
Channel w/ Elongated Holes
Size: 1 1/2" x 1 1/2" x 12 GA.
3/8" x 1 1/8" Elongated Holes on 2" Centers
Page 86



AS 200BTB SS/ZD/HG
Welded Channel
Size: 1 1/2" x 3 1/2" x 12 GA.
Two Pcs. AS 200 Welded Back-to-Back
Page 86



AS 200BTB EH SS/ZD/HG
Welded Channel
Size: 1 1/2" x 3 1/2" x 12 GA.
Two Pcs. AS 200EH Welded Back-to-Back
3/8" x 1 1/8" Elongated Holes on 2" Centers
Page 86



AS 210 SS/ZD/HG
Channel
Size: 1 1/2" x 1 1/2" x 14 GA.
Page 87



AS 210EH SS/ZD/HG
Channel w/ Elongated Holes
Size: 1 1/2" x 1 1/2" x 14 GA.
3/8" x 1 1/8" Elongated Holes on 2" Centers
Page 87



AS 210BTB SS/ZD/HG
Welded Channel
Size: 1 1/2" x 3 1/2" x 14 GA.
Two Pcs. AS 200 Welded Back-to-Back
Page 87



AS 500 SS/ZD/HG
Channel
Size: 1 1/2" x 1 3/8" x 14 GA.
Page 88



AS 500EH SS/ZD/HG
Channel w/ Elongated Holes
Size: 1 1/2" x 1 3/8" x 14 GA.
3/8" x 1 1/8" Elongated Holes on 2" Centers
Page 88



AS 500BTB SS/ZD/HG
Welded Channel
Size: 1 1/2" x 1 3/8" x 14 GA.
Two Pcs. AS 500 Welded Back-to-Back
Page 88



AS NS SS/ZD
Clamping Nut without Spring
Use with all 1 1/2" wide channel
Page 89



AS RS SS/ZD
Clamping Nut
w/ Regular Spring
Use with AS 200, AS 210 &
AS 300
Page 89



AS 3500 ZD
Seismic Rod Stiffener
Page 98



AS 619 SS/ZD
Square Washer
Page 91



AS 601 ZD
Two Hole Splice Plate
Page 89



AS 602 ZD
Three Hole Splice Plate
Page 89



AS 712 ZD
Cross Plate
Page 93



AS 714 ZD
"T" Plate
Page 93



AS 718 ZD
Flat Angle Plate
Page 93



AS 888 ZD
Four Hole Splice Plate
Page 94



AS 616 ZD
Four Hole Splice Clevis
Use with AS 200 & AS 210.
Page 91



AS 613 ZD
"U" Support
Use with AS 200, AS 210 &
AS 500BTB.
Page 91

PICTORIAL INDEX

SPECIALTY STRUT (Stainless Steel • Zinc Dichromate • Hot Dipped Galvanized) *Continued*



AS 679
"U" Support
Use with AS 100, AS 200BTB & AS 210BTB.
Page 93



AS 929 ZD
"U" Support
Use with AS 500 & AS 520.
Page 95



AS 611 ZD
"Z" Support
Use with AS 200, AS 210 & AS 500BTB.
Page 90



AS 928 ZD
"Z" Support
Use with AS 500 & AS 520.
Page 95



AS 603 ZD
Two Hole End Angle
Page 89



AS 604 ZD
Two Hole Corner Angle
Page 90



AS 624 ZD
Two Hole Closed Angle Connector
Page 91



AS 633 ZD
Two Hole Open Angle Connector
Page 91



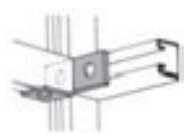
AS 605 ZD
Three Hole Corner Angle
Page 90



AS 606 ZD
Three Hole Corner Angle
Page 90



AS 607 ZD
Four Hole Corner Angle
Page 90



AS 720 ZD
RH & LH Angle Plate Connector
Page 94



AS 922 RH & LH ZD
Two Hole Single Corner Angle Connector
Page 95



AS 665 ZD
Four Hole Double Corner Connector
Page 92



AS 923 ZD
Five Hole Two Angle Connector
Page 95



AS 666 ZD
Six Hole Double Corner Connector
Page 92



AS 821 ZD
Eight Hole Double Angle Connector
Page 94



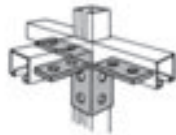
AS 667 ZD
Eight Hole Double Corner Connector
Page 92



AS 913 ZD
Ten Hole Two Angle Clevis Connector
Page 94



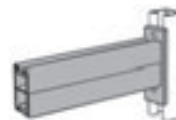
AS 668 ZD
Six Hole Three Angle Connector
Page 92



AS 669 ZD
Twelve Hole Three Angle Clevis Connector
Page 93



AS 651 ZD
Reversible Strut Bracket
Page 92



AS 809 ZD
Double Channel Bracket
Page 94



AS 3373 ZD
Universal Angle Bracket
Page 98



AS 3033 ZD
Post Base
Use with AS 200 & AS 210.
Page 98



AS 3064 ZD
Double Column Post Base
Use with all 3/4" Channels.
Page 98



AS 2651 ZD
Beam Clamp
Page 97



AS 1100 SS/ZD
Rigid Steel Conduit Clamps
Non-Assembled & Pre-Assembled
Page 96

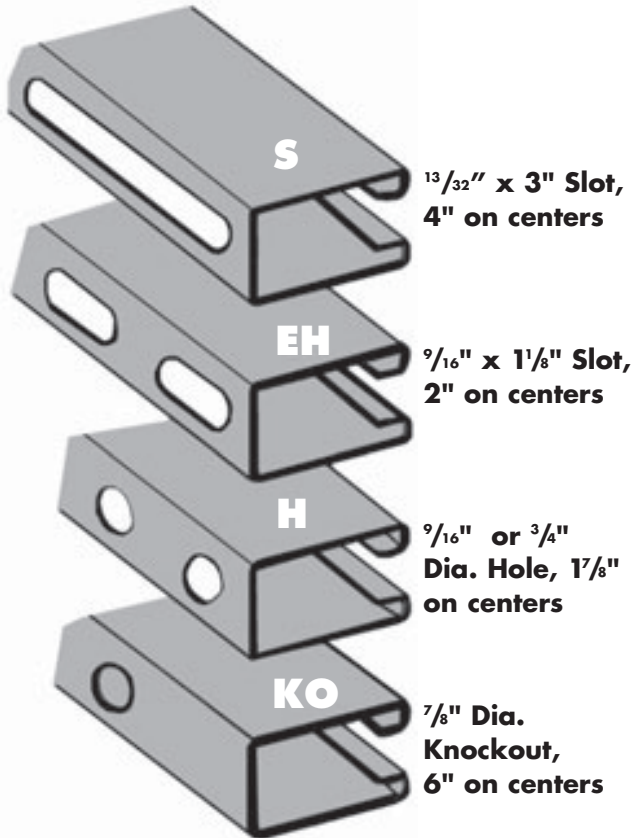


AS 1200 SS/ZD
O.D. Tubing Clamp
Page 97

SECTION 1 – CHANNEL

ANVIL-STRUT™ CHANNEL FABRICATION DATA

ANVIL-STRUT™ STYLES



S CHANNEL			
Catalog #	Gauge	Dimensions	Wt./C Ft.
AS 100S	12	$3\frac{1}{4} \times 1\frac{5}{8}$	298#
AS 150S	12	$2\frac{7}{16} \times 1\frac{5}{8}$	239#
AS 200S	12	$1\frac{5}{8} \times 1\frac{5}{8}$	179#
AS 210S	14	$1\frac{5}{8} \times 1\frac{5}{8}$	130#
AS 300S	12	$1\frac{3}{8} \times 1\frac{5}{8}$	161#
AS 400S	12	$1 \times 1\frac{5}{8}$	134#
AS 520S	12	$1\frac{3}{16} \times 1\frac{5}{8}$	125#
AS 500S	14	$1\frac{3}{16} \times 1\frac{5}{8}$	94#

H $\frac{9}{16}$ CHANNEL			
Catalog #	Gauge	Dimensions	Wt./C Ft.
AS 100H	12	$3\frac{1}{4} \times 1\frac{5}{8}$	308#
AS 150H	12	$2\frac{7}{16} \times 1\frac{5}{8}$	249#
AS 200H	12	$1\frac{5}{8} \times 1\frac{5}{8}$	189#
AS 210H	14	$1\frac{5}{8} \times 1\frac{5}{8}$	140#
AS 300H	12	$1\frac{3}{8} \times 1\frac{5}{8}$	171#
AS 400H	12	$1 \times 1\frac{5}{8}$	144#
AS 520H	12	$1\frac{3}{16} \times 1\frac{5}{8}$	130#
AS 500H	14	$1\frac{3}{16} \times 1\frac{5}{8}$	98#

EH CHANNEL			
Catalog #	Gauge	Dimensions	Wt./C Ft.
AS 100EH	12	$3\frac{1}{4} \times 1\frac{5}{8}$	308#
AS 150EH	12	$2\frac{7}{16} \times 1\frac{5}{8}$	254#
AS 200EH	12	$1\frac{5}{8} \times 1\frac{5}{8}$	189#
AS 210EH	14	$1\frac{5}{8} \times 1\frac{5}{8}$	140#
AS 300EH	12	$1\frac{3}{8} \times 1\frac{5}{8}$	171#
AS 400EH	12	$1 \times 1\frac{5}{8}$	144#
AS 520EH	12	$1\frac{3}{16} \times 1\frac{5}{8}$	130#
AS 500EH	14	$1\frac{3}{16} \times 1\frac{5}{8}$	98#

KO CHANNEL			
Catalog #	Gauge	Dimensions	Wt./C Ft.
AS 100KO	12	$3\frac{1}{4} \times 1\frac{5}{8}$	313#
AS 150KO	12	$2\frac{7}{16} \times 1\frac{5}{8}$	254#
AS 200KO	12	$1\frac{5}{8} \times 1\frac{5}{8}$	194#
AS 210KO	14	$1\frac{5}{8} \times 1\frac{5}{8}$	145#
AS 300KO	12	$1\frac{3}{8} \times 1\frac{5}{8}$	176#
AS 400KO	12	$1 \times 1\frac{5}{8}$	149#
AS 520KO	12	$1\frac{3}{16} \times 1\frac{5}{8}$	135#
AS 500KO	14	$1\frac{3}{16} \times 1\frac{5}{8}$	103#

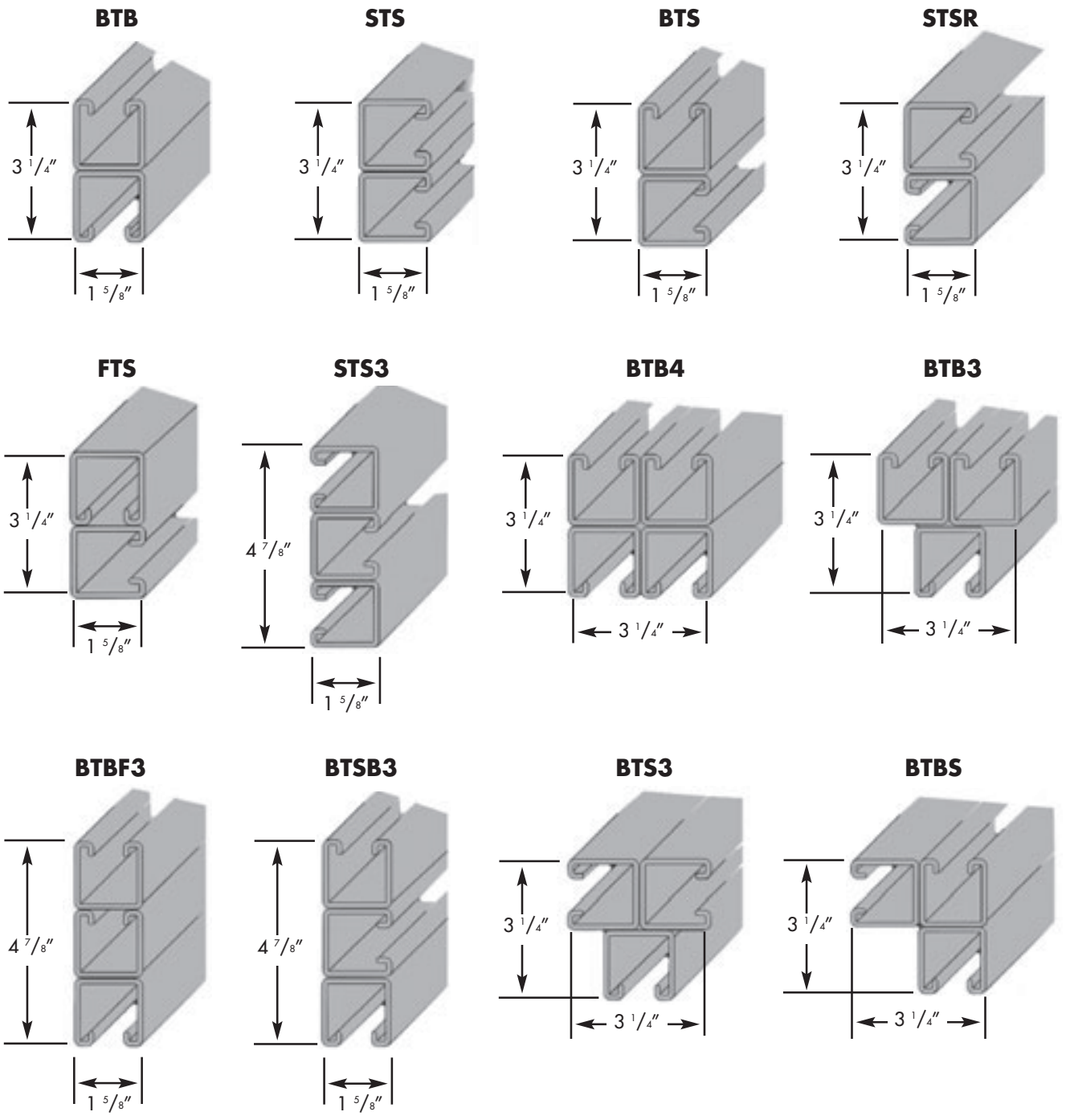
SECTION 1 – CHANNEL

WELDED COMBINATIONS

All welded combinations illustrated below are available in any of our Anvil-Strut™ channels, in any of the following material or finishes: Plain, Pre-Galvanized, Supr-Green or Stainless Steel.

Our welded channels are normally spotwelded with a maximum of 3 inches on center or MIG welded where spotwelding is not possible. Dimensions shown are for welded variations of the AS 200 channel.

NOTE: SLOTTED CHANNELS AVAILABLE IN ALL WELDED COMBINATIONS.



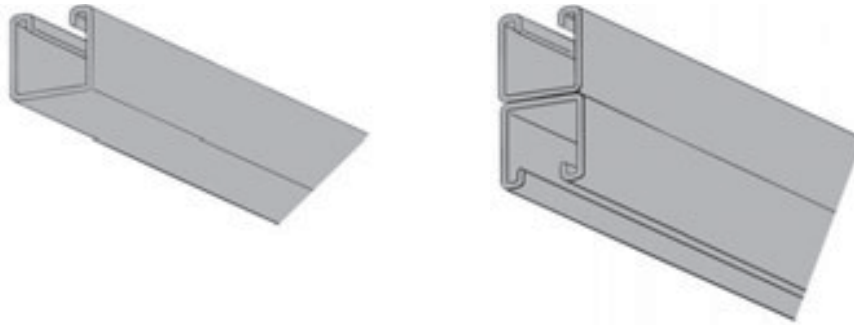
LEGEND:
GR: Painted Green
EG: Electro-Galvanized

PG: Pre-Galvanized
AL: Aluminum
HG: Hot Dipped Galvanized

PL: Plain
SS: Stainless Steel
ZD: Zinc Dichromate



SECTION 1 – CHANNEL



SPECIFICATIONS

GENERAL

Anvil-Strut™ channels are manufactured by a series of forming dies, or rolls, which progressively cold work the strip steel into the desired channel configuration. This method produces a cross section of uniform dimensions within a tolerance of plus or minus .015", on outside dimensions.

MATERIAL

Anvil-Strut™ channels are produced from prime structural steel covered by the following specifications.

PRE-GALVANIZED STEEL	ASTM A-653
PLAIN STEEL	ASTM A-570
ALUMINUM (Type 6063T6)	ASTM B-221
STAINLESS STEEL (Type 304 and 316)	ASTM A-240

(See technical section for additional information.)

Other materials and specifications available on request. Certification (C of C or CMTR's) if required must be requested at the time of ordering.

WELDING

Channel combinations of two or more elements are spotwelded together to form various multiple combinations. The spotwelds are spaced two or three inches on centers throughout the length of the multiple channel sections.

LENGTH INFORMATION

Anvil-Strut™ Channels are produced and stocked in 10 and 20 foot lengths with a tolerance of $\pm \frac{1}{8}$ ". Other lengths are available upon request.

FINISHES

All Anvil-Strut™ channels are stocked in pre-galvanized and painted supr-green. Some sizes are stocked in stainless steel, zinc dichromate, PVC coated or hot dipped galvanized. (See technical section for additional information.)

LOADING DATA

1. When calculating load at center of span, multiply uniform load from table by .5 and deflection by .8.
2. When calculating beam and column loads for aluminum, multiply by 33%.

BEAM AND COLUMN LOADING DATA

- * Not recommended - KL/r exceeds 200.
- ** For these loads, the uniform beam capacity is lower than the L/240 or L/360 beam capacity and is therefore the governing constraint.
- ***Load limited by spotweld shear.

NOTES

1. The beam capacities shown above include the weight of the strut beam. The beam weight must be subtracted from these capacities to arrive at the net beam capacity.
2. Allowable beam loads are based on a uniformly loaded, simply supported beam.
3. The load chart shows beam capacities for strut without holes. For strut with holes, multiply by the following: KO by 82%, H ³/₄ by 85%, H ⁷/₁₆ by 88%, EH by 88%, S by 90%.

SECTION 1 – CHANNEL

AS 100 BEAM AND COLUMN LOADS

Span or Column (In.)	Anvil-Strut™ Catalog No.	Max Load of Column Loaded @ C.G. (Lbs.)	Static Beam Load (X-X Axis)			
			Allowable Uniform Load @ 25,000 PSI (Lbs.)	Deflection @ 25,000 PSI (In.)	Uniform Load @ L/240 (Lbs.)	Uniform Load @ L/360 (Lbs.)
12	AS 100	12,428	10,155	0.007	**	**
	AS 100 BTB	26,291	5,130 ***	0.004	**	**
18	AS 100	11,161	6,770	0.016	**	**
	AS 100 BTB	25,442	5,130 ***	0.009	**	**
24	AS 100	9,531	5,077	0.029	**	**
	AS 100 BTB	24,359	5,130 ***	0.016	**	**
30	AS 100	7,642	4,062	0.045	**	**
	AS 100 BTB	23,122	5,130 ***	0.025	**	**
36	AS 100	5,767	3,385	0.065	**	**
	AS 100 BTB	21,805	5,130 ***	0.036	**	**
42	AS 100	4,550	2,901	0.088	**	**
	AS 100 BTB	20,472	5,130 ***	0.049	**	**
48	AS 100	3,754	2,539	0.115	**	**
	AS 100 BTB	19,169	5,130 ***	0.064	**	**
60	AS 100	2,803	2,031	0.180	**	1,876
	AS 100 BTB	16,771	5,130 ***	0.099	**	**
72	AS 100	2,268	1,692	0.260	**	1,303
	AS 100 BTB	14,733	5,130 ***	0.143	**	**
84	AS 100	1,927	1,451	0.354	1,436	957
	AS 100 BTB	13,073	4,515	0.195	**	**
96	AS 100	1,688	1,269	0.462	1,099	733
	AS 100 BTB	11,917	3,950	0.254	**	**
108	AS 100	1,509	1,128	0.585	869	579
	AS 100 BTB	9,933	3,512	0.322	**	3,272
120	AS 100	1,366	1,015	0.722	703	469
	AS 100 BTB	8,046	3,160	0.398	**	2,650
180	AS 100	*	677	1.624	313	208
	AS 100 BTB	*	2,107	0.894	1,767	1,178
240	AS 100	*	508	2.887	176	117
	AS 100 BTB	*	1,580	1.590	994	662

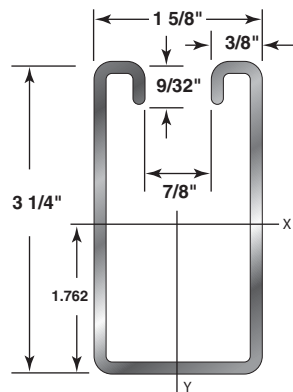
For Beam and Column Loading Data and load reduction information for channel with holes and concentrated loads, see notes on page 16.

AS 100

3 1/4" x 1 5/8"

12 Gauge Channel —
wt./100 ft. - 313#

Stocked in pre-galvanized, plain and painted supr-green, in both 10 and 20 ft. lengths. Other materials, finishes and lengths are available upon request.



PROPERTIES OF SECTION

	Wt./Ft. Lbs.	Area of Section Sq. In.	X-X Axis			Y-Y Axis		
			I in ⁴	S in ³	r in.	I in ⁴	S in ³	r in.
AS 100	3.13	0.844	1.073	0.609	1.102	0.429	0.529	0.697
AS 100BTB	6.26	1.768	6.064	1.896	1.852	0.859	1.057	0.697

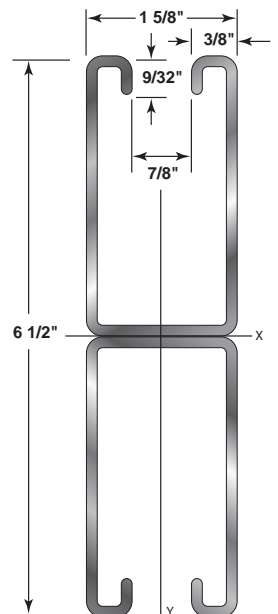
I = Moment of Inertia S = Section Modulus r = Radius of Gyration

AS 100BTB

6 1/2" x 1 5/8"

12 Gauge Back-to-Back
wt./100 ft. - 626#

Stocked in pre-galvanized, plain and painted supr-green, in both 10 and 20 ft. lengths. Other materials, finishes and lengths are available upon request.



See page 15 for welded combinations.

NOTE: BOTH ARE ALSO AVAILABLE IN STAINLESS STEEL 304 AND 316 ALLOYS.

SECTION 1 – CHANNEL

AS 150 BEAM AND COLUMN LOADS

Span or Column (In.)	Anvil-Strut™ Catalog No.	Max Load of Column Loaded @ C.G. (Lbs.)	Static Beam Load (X-X Axis)			
			Allowable Uniform Load @ 25,000 PSI (Lbs.)	Deflection @ 25,000 PSI (In.)	Uniform Load @ L/240 (Lbs.)	Uniform Load @ L/360 (Lbs.)
12	AS 150	9,774	6,305	0.009	**	**
	AS 150 BTB	20,586	3,880 ***	0.005	**	**
18	AS 150	8,861	4,203	0.021	**	**
	AS 150 BTB	19,931	3,880 ***	0.012	**	**
24	AS 150	7,744	3,152	0.038	**	**
	AS 150 BTB	19,144	3,880 ***	0.021	**	**
30	AS 150	6,524	2,522	0.059	**	**
	AS 150 BTB	18,304	3,880 ***	0.033	**	**
36	AS 150	5,275	2,102	0.085	**	**
	AS 150 BTB	17,474	3,880 ***	0.048	**	**
42	AS 150	4,284	1,801	0.116	**	**
	AS 150 BTB	16,693	3,880 ***	0.065	**	**
48	AS 150	3,629	1,576	0.151	**	1,390
	AS 150 BTB	15,981	3,880 ***	0.085	**	**
60	AS 150	2,824	1,261	0.236	**	890
	AS 150 BTB	14,790	3,803	0.133	**	**
72	AS 150	2,346	1,051	0.340	927	618
	AS 150 BTB	13,881	3,169	0.192	**	**
84	AS 150	2,021	901	0.463	681	454
	AS 150 BTB	12,054	2,716	0.261	**	2,427
96	AS 150	1,778	788	0.605	521	347
	AS 150 BTB	9,409	2,377	0.341	**	1,858
108	AS 150	1,584	701	0.765	412	275
	AS 150 BTB	7,434	2,113	0.431	**	1,468
120	AS 150	1,422	630	0.945	334	222
	AS 150 BTB	6,022	1,901	0.532	1,784	1,189
180	AS 150	*	420	2.126	148	99
	AS 150 BTB	*	1,268	1.199	793	529
240	AS 150	*	315	3.780	83	56
	AS 150 BTB	*	951	2.131	446	297

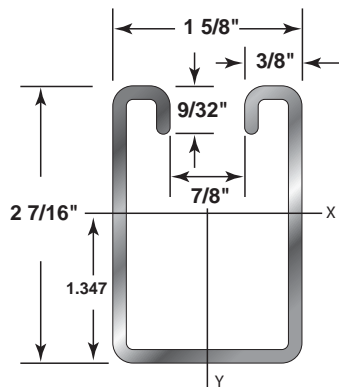
For Beam and Column Loading Data and load reduction information for channel with holes and concentrated loads, see notes on page 16.

AS 150

2⁷/₁₆" x 1⁵/₈"

12 Gauge Channel
wt./100 ft. - 254#

Stocked in pre-galvanized, plain and painted supr-green, in both 10 and 20 ft. lengths. Other materials, finishes and lengths are available upon request.



PROPERTIES OF SECTION								
Wt./Ft. Lbs.	Area of Section Sq. In.	X-X Axis			Y-Y Axis			
		I in ⁴	S in ³	r in.	I in ⁴	S in ³	r in.	
AS 150	2.54	0.714	0.509	0.378	0.844	0.331	0.408	0.681
AS 150BTB	5.08	1.428	2.721	1.141	1.381	0.663	0.815	0.681

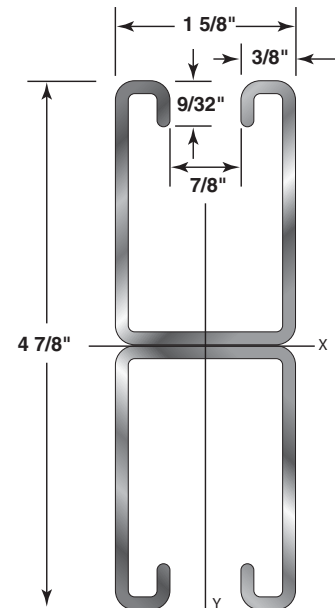
I = Moment of Inertia S = Section Modulus r = Radius of Gyration

AS 150BTB

4⁷/₈" x 1⁵/₈"

12 Gauge Back-to-Back
wt./100 ft. - 508#

Stocked in pre-galvanized, plain and painted supr-green, in both 10 and 20 ft. lengths. Other materials, finishes and lengths are available upon request.



See page 15 for welded combinations.

NOTE: BOTH ARE ALSO AVAILABLE IN STAINLESS STEEL 304 AND 316 ALLOYS.

SECTION 1 – CHANNEL

AS 200 BEAM AND COLUMN LOADS

Span or Column (In.)	Anvil-Strut™ Catalog No.	Max Load of Column Loaded @ C.G. (Lbs.)	Static Beam Load (X-X Axis)			
			Allowable Uniform Load @ 25,000 PSI (Lbs.)	Deflection @ 25,000 PSI (In.)	Uniform Load @ L/240 (Lbs.)	Uniform Load @ L/360 (Lbs.)
12	AS 200	7,109	3,249	0.014	**	**
	AS 200 BTB	14,862	2,610 ***	0.008	**	**
18	AS 200	6,549	2,166	0.031	**	**
	AS 200 BTB	14,402	2,610 ***	0.018	**	**
24	AS 200	5,938	1,625	0.055	**	**
	AS 200 BTB	13,919	2,610 ***	0.032	**	**
30	AS 200	5,337	1,300	0.086	**	1,257
	AS 200 BTB	13,473	2,610 ***	0.050	**	**
36	AS 200	4,771	1,083	0.124	**	873
	AS 200 BTB	13,090	2,610 ***	0.072	**	**
42	AS 200	4,242	928	0.169	**	641
	AS 200 BTB	12,771	2,610 ***	0.099	**	**
48	AS 200	3,745	812	0.220	737	491
	AS 200 BTB	12,511	1,374	0.129	**	**
60	AS 200	3,012	650	0.344	471	314
	AS 200 BTB	11,685	1,899	0.202	**	1,566
72	AS 200	2,514	542	0.496	327	218
	AS 200 BTB	10,078	1,582	0.291	**	1,087
84	AS 200	2,136	464	0.675	240	160
	AS 200 BTB	8,180	1,356	0.396	1,199	799
96	AS 200	1,834	406	0.882	184	123
	AS 200 BTB	6,291	1,187	0.517	917	611
108	AS 200	1,585	361	1.116	145	97
	AS 200 BTB	4,971	1,055	0.655	725	483
120	AS 200	*	325	1.378	117	78
	AS 200 BTB	4,026	949	0.808	587	391
180	AS 200	*	217	3.099	52	35
	AS 200 BTB	*	633	1.819	261	174
240	AS 200	*	163	5.510	29	19
	AS 200 BTB	*	474	3.233	147	98

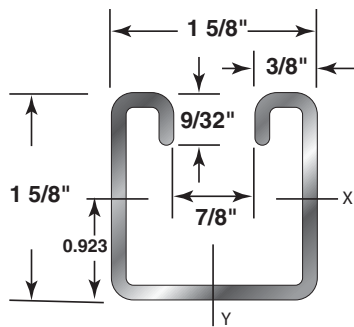
For Beam and Column Loading Data and load reduction information for channel with holes and concentrated loads, see notes on page 16.

AS 200

1⁵/₈" x 1⁵/₈"

12 Gauge Channel
wt./100 ft. - 194#

Stocked in pre-galvanized, plain and painted sup-green, in both 10 and 20 ft. lengths. Other materials, finishes and lengths are available upon request.

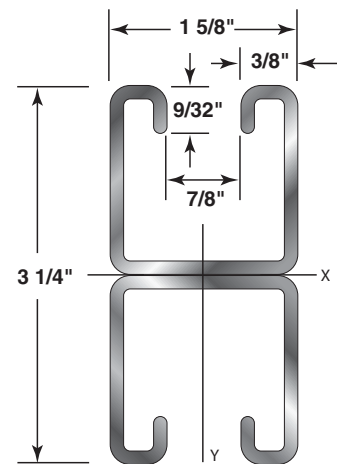


AS 200BTB

3¹/₄" x 1⁵/₈"

12 Gauge Back-to-Back
wt./100 ft. - 388#

Stocked in pre-galvanized, plain and painted sup-green, in both 10 and 20 ft. lengths. Other materials, finishes and lengths are available upon request.



See page 15 for welded combinations.

NOTE: BOTH ARE ALSO AVAILABLE IN STAINLESS STEEL 304 AND 316 ALLOYS.

PROPERTIES OF SECTION

	Wt./Ft. Lbs.	Area of Section Sq. In.	X-X Axis			Y-Y Axis		
			I in ⁴	S in ³	r in.	I in ⁴	S in ³	r in.
AS 200	1.94	0.544	0.180	0.195	0.575	0.233	0.287	0.655
AS 200BTB	3.88	1.088	0.896	0.570	0.908	0.466	0.574	0.655

I = Moment of Inertia S = Section Modulus r = Radius of Gyration

SECTION 1 – CHANNEL

AS 210 BEAM AND COLUMN LOADS

Span or Column (In.)	Anvil-Strut™ Catalog No.	Max Load of Column Loaded @ C.G. (Lbs.)	Static Beam Load (X-X Axis)			
			Allowable Uniform Load @ 25,000 PSI (Lbs.)	Deflection @ 25,000 PSI (In.)	Uniform Load @ L/240 (Lbs.)	Uniform Load @ L/360 (Lbs.)
12	AS 210	5,548	2,631	0.014	**	**
	AS 210 BTB	11,600	1,750 ***	0.008	**	**
18	AS 210	5,066	1,754	0.032	**	**
	AS 210 BTB	11,210	1,750 ***	0.018	**	**
24	AS 210	4,473	1,316	0.056	**	**
	AS 210 BTB	10,738	1,750 ***	0.032	**	**
30	AS 210	3,817	1,052	0.088	**	1,001
	AS 210 BTB	10,230	1,750 ***	0.050	**	**
36	AS 210	3,141	877	0.126	**	695
	AS 210 BTB	9,722	1,750 ***	0.072	**	**
42	AS 210	2,546	752	0.172	**	511
	AS 210 BTB	9,239	1,750 ***	0.098	**	**
48	AS 210	2,148	658	0.224	587	391
	AS 210 BTB	8,796	1,750 ***	0.128	**	**
60	AS 210	1,659	526	0.350	376	250
	AS 210 BTB	8,046	1,482	0.200	**	1,234
72	AS 210	1,370	439	0.504	261	174
	AS 210 BTB	7,466	1,235	0.288	**	857
84	AS 210	1,174	376	0.687	192	128
	AS 210 BTB	6,528	1,058	0.392	944	629
96	AS 210	1,028	329	0.897	147	98
	AS 210 BTB	5,042	926	0.512	723	482
108	AS 210	911	292	1.135	116	77
	AS 210 BTB	3,983	823	0.649	571	381
120	AS 210	*	263	1.401	94	63
	AS 210 BTB	3,227	741	0.801	463	308
180	AS 210	*	175	3.153	42	28
	AS 210 BTB	1,434	494	1.802	206	137
240	AS 210	*	132	5.605	23	16
	AS 210 BTB	*	370	3.203	116	77

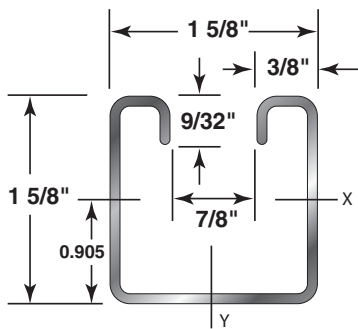
For Beam and Column Loading Data and load reduction information for channel with holes and concentrated loads, see notes on page 16.

AS 210

1⁵/₈" x 1⁵/₈"

14 Gauge Channel
wt./100 ft. - 145#

Stocked in pre-galvanized, plain and painted sup-green, in both 10 and 20 ft. lengths. Other materials, finishes and lengths are available upon request.

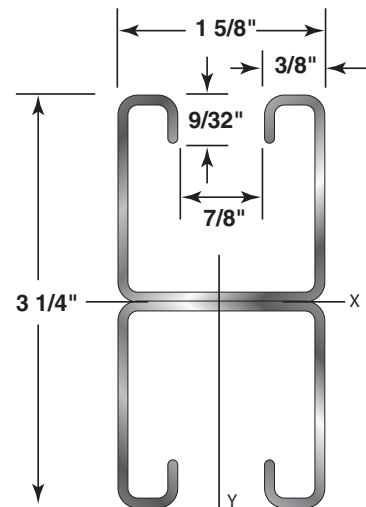


AS 210BTB

3¹/₄" x 1⁵/₈"

14 Gauge Back-to-Back
wt./100 ft. - 290#

Stocked in pre-galvanized, plain and painted sup-green, in both 10 and 20 ft. lengths. Other materials, finishes and lengths are available upon request.



See page 15 for welded combinations.

NOTE: BOTH ARE ALSO AVAILABLE IN STAINLESS STEEL 304 AND 316 ALLOYS.

PROPERTIES OF SECTION								
Wt./Ft. Lbs.	Area of Section Sq. In.	X-X Axis			Y-Y Axis			
		I in ⁴	S in ³	r in.	I in ⁴	S in ³	r in.	
AS 210	1.45	0.407	0.143	0.158	0.593	0.179	0.221	0.664
AS 210BTB	2.90	0.814	0.706	0.445	0.931	0.359	0.441	0.664

I = Moment of Inertia S = Section Modulus r = Radius of Gyration

SECTION 1 – CHANNEL

AS 300 BEAM AND COLUMN LOADS

Span or Column (In.)	Anvil-Strut™ Catalog No.	Max Load of Column Loaded @ C.G. (Lbs.)	Static Beam Load (X-X Axis)			
			Allowable Uniform Load @ 25,000 PSI (Lbs.)	Deflection @ 25,000 PSI (In.)	Uniform Load @ L/240 (Lbs.)	Uniform Load @ L/360 (Lbs.)
12	AS 300	6,286	2,473	0.016	**	**
	AS 300 BTB	13,094	2,210 ***	0.010	**	**
18	AS 300	5,835	1,649	0.036	**	**
	AS 300 BTB	12,695	2,210 ***	0.022	**	**
24	AS 300	5,371	1,236	0.064	**	**
	AS 300 BTB	12,310	2,210 ***	0.038	**	**
30	AS 300	4,935	989	0.100	**	820
	AS 300 BTB	11,979	2,210 ***	0.060	**	**
36	AS 300	4,533	824	0.145	**	570
	AS 300 BTB	11,713	2,210 ***	0.086	**	**
42	AS 300	4,157	707	0.197	628	419
	AS 300 BTB	11,503	2,053	0.118	**	2,035
48	AS 300	3,795	618	0.257	481	320
	AS 300 BTB	11,338	1,797	0.154	**	1,558
60	AS 300	3,094	495	0.402	308	205
	AS 300 BTB	10,191	1,437	0.240	**	997
72	AS 300	2,551	413	0.579	214	142
	AS 300 BTB	8,718	1,198	0.346	1,039	692
84	AS 300	2,131	353	0.788	157	105
	AS 300 BTB	6,978	1,027	0.471	763	509
96	AS 300	1,797	309	1.029	120	80
	AS 300 BTB	5,347	898	0.615	584	389
108	AS 300	*	275	1.302	95	63
	AS 300 BTB	4,225	799	0.778	462	308
120	AS 300	*	247	1.608	77	51
	AS 300 BTB	3,422	719	0.961	374	249
180	AS 300	*	165	3.618	34	23
	AS 300 BTB	*	479	2.162	166	111
240	AS 300	*	124	6.431	19	13
	AS 300 BTB	*	359	3.844	93	62

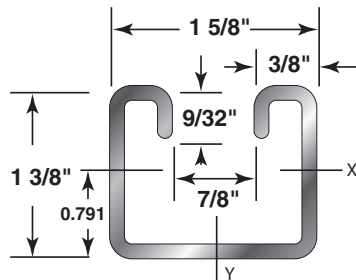
For Beam and Column Loading Data and load reduction information for channel with holes and concentrated loads, see notes on page 16.

AS 300

1³/₈" x 1⁵/₈"

12 Gauge Channel
wt./100 ft. - 176#

Stocked in pre-galvanized, plain and painted sup-green, in both 10 and 20 ft. lengths. Other materials, finishes and lengths are available upon request.

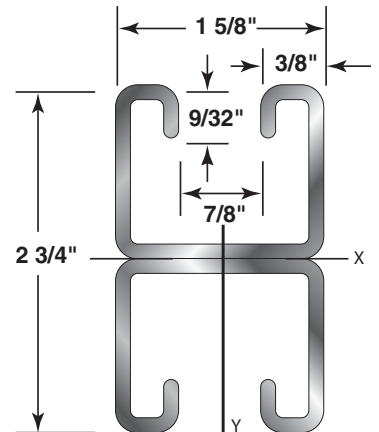


AS 300BTB

2³/₄" x 1⁵/₈"

12 Gauge Back-to-Back
wt./100 ft. - 352#

Stocked in pre-galvanized, plain and painted sup-green, in both 10 and 20 ft. lengths. Other materials, finishes and lengths are available upon request.



See page 15 for welded combinations.

NOTE: BOTH ARE ALSO AVAILABLE IN STAINLESS STEEL 304 AND 316 ALLOYS.

PROPERTIES OF SECTION

Wt./Ft. Lbs.	Area of Section Sq. In.	X-X Axis			Y-Y Axis			
		I in ⁴	S in ³	r in.	I in ⁴	S in ³	r in.	
AS 300	1.76	0.492	0.117	0.148	0.489	0.203	0.250	0.642
AS 300BTB	3.52	0.983	0.570	0.431	0.762	0.406	0.499	0.642

I = Moment of Inertia S = Section Modulus r = Radius of Gyration

SECTION 1 – CHANNEL

AS 400 BEAM AND COLUMN LOADS

Span or Column (In.)	Anvil-Strut™ Catalog No.	Max Load of Column Loaded @ C.G. (Lbs.)	Static Beam Load (X-X Axis)			
			Allowable Uniform Load @ 25,000 PSI (Lbs.)	Deflection @ 25,000 PSI (In.)	Uniform Load @ L/240 (Lbs.)	Uniform Load @ L/360 (Lbs.)
12	AS 400	5,046	1,460	0.022	**	**
	AS 400 BTB	10,430	1,590 ***	0.013	**	**
18	AS 400	4,757	973	0.049	**	**
	AS 400 BTB	10,134	1,590 ***	0.030	**	**
24	AS 400	4,496	730	0.086	**	564
	AS 400 BTB	9,897	1,590 ***	0.054	**	**
30	AS 400	4,264	584	0.135	541	361
	AS 400 BTB	9,723	1,590 ***	0.084	**	1,698 **
36	AS 400	4,047	487	0.194	376	251
	AS 400 BTB	9,599	1,423	0.121	**	1,179
42	AS 400	3,831	417	0.264	276	184
	AS 400 BTB	9,420	1,220	0.164	**	866
48	AS 400	3,604	365	0.345	211	141
	AS 400 BTB	8,984	1,067	0.215	995	663
60	AS 400	3,089	292	0.540	135	90
	AS 400 BTB	7,940	854	0.335	637	424
72	AS 400	*	243	0.777	94	63
	AS 400 BTB	6,664	712	0.483	442	295
84	AS 400	*	209	1.058	69	46
	AS 400 BTB	5,167	610	0.657	325	217
96	AS 400	*	183	1.381	53	35
	AS 400 BTB	3,956	534	0.858	249	166
108	AS 400	*	162	1.748	42	28
	AS 400 BTB	*	474	1.086	197	131
120	AS 400	*	146	2.158	34	23
	AS 400 BTB	*	427	1.341	159	106
180	AS 400	*	97	4.857	15	10
	AS 400 BTB	*	285	3.018	71	47
240	AS 400	*	73	8.634	8	6
	AS 400 BTB	*	213	5.364	40	27

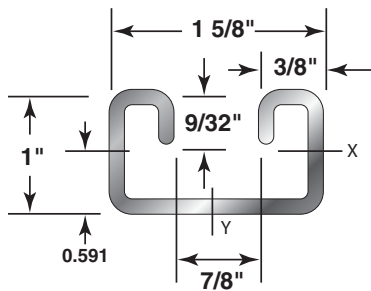
For Beam and Column Loading Data and load reduction information for channel with holes and concentrated loads, see notes on page 16.

AS 400

1" x 1⁵/₈"

12 Gauge Channel
wt./100 ft. - 149#

Stocked in pre-galvanized, plain and painted sup-green, in both 10 and 20 ft. lengths. Other materials, finishes and lengths are available upon request.

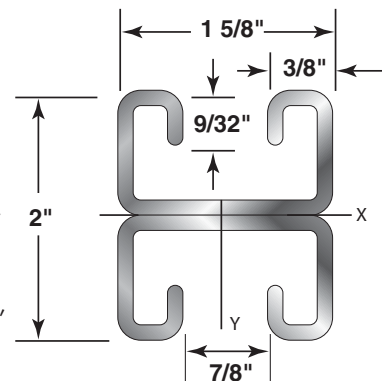


AS 400BTB

2" x 1⁵/₈"

12 Gauge Back-to-Back
wt./100 ft. - 298#

Stocked in pre-galvanized, plain and painted sup-green, in both 10 and 20 ft. lengths. Other materials, finishes and lengths are available upon request.



See page 15 for welded combinations.

NOTE: BOTH ARE ALSO AVAILABLE IN STAINLESS STEEL 304 AND 316 ALLOYS.

PROPERTIES OF SECTION								
Wt./Ft. Lbs.	Area of Section Sq. In.	X-X Axis			Y-Y Axis			
		I in ⁴	S in ³	r in.	I in ⁴	S in ³	r in.	
AS 400	1.49	0.413	0.052	0.088	0.353	0.157	0.194	0.617
AS 400BTB	2.98	0.826	0.243	0.256	0.542	0.315	0.388	0.617

I = Moment of Inertia S = Section Modulus r = Radius of Gyration

SECTION 1 – CHANNEL

AS 500 BEAM AND COLUMN LOADS

Span or Column (In.)	Anvil-Strut™ Catalog No.	Max Load of Column Loaded @ C.G. (Lbs.)	Static Beam Load (X-X Axis)			
			Allowable Uniform Load @ 25,000 PSI (Lbs.)	Deflection @ 25,000 PSI (In.)	Uniform Load @ L/240 (Lbs.)	Uniform Load @ L/360 (Lbs.)
12	AS 500	3,598	887	0.027	**	**
	AS 500 BTB	7,434	870 ***	0.016	**	**
18	AS 500	3,340	591	0.060	**	493
	AS 500 BTB	7,140	870 ***	0.037	**	**
24	AS 500	3,086	444	0.106	416	277
	AS 500 BTB	6,867	870 ***	0.066	**	**
30	AS 500	2,854	355	0.166	266	177
	AS 500 BTB	6,642	870 ***	0.102	**	806
36	AS 500	2,645	296	0.240	185	123
	AS 500 BTB	6,466	826	0.147	**	559
42	AS 500	2,449	254	0.327	136	91
	AS 500 BTB	6,331	708	0.201	617	411
48	AS 500	2,259	222	0.427	104	69
	AS 500 BTB	6,228	619	0.262	472	315
60	AS 500	*	177	0.667	66	44
	AS 500 BTB	5,648	496	0.410	302	201
72	AS 500	*	148	0.960	46	31
	AS 500 BTB	4,711	413	0.590	210	140
84	AS 500	*	127	1.037	34	23
	AS 500 BTB	3,623	354	0.803	154	103
96	AS 500	*	111	1.707	26	17
	AS 500 BTB	*	310	1.049	118	79
108	AS 500	*	99	2.160	21	14
	AS 500 BTB	*	275	1.328	93	62
120	AS 500	*	89	2.668	17	11
	AS 500 BTB	*	248	1.640	76	51
180	AS 500	*	59	6.003	7	5
	AS 500 BTB	*	165	3.689	34	23
240	AS 500	*	44	10.672	4	3
	AS 500 BTB	*	124	6.560	19	13

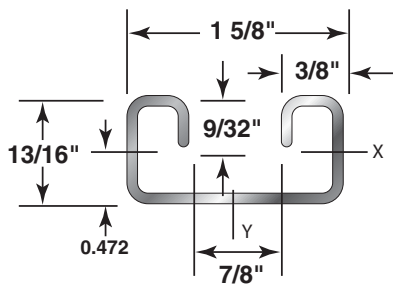
For Beam and Column Loading Data and load reduction information for channel with holes and concentrated loads, see notes on page 16.

AS 500

1 3/16" x 1 5/8"

14 Gauge Channel
wt./100 ft. - 103#

Stocked in pre-galvanized, plain and painted supr-green, in both 10 and 20 ft. lengths. Other materials, finishes and lengths are available upon request.

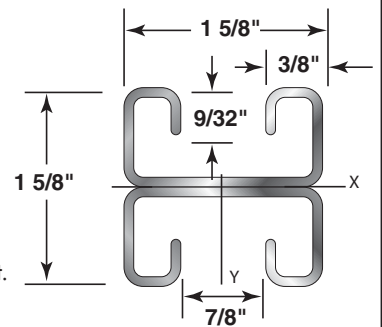


AS 500BTB

1 5/8" x 1 5/8"

14 Gauge Back-to-Back
wt./100 ft. - 206#

Stocked in pre-galvanized, plain and painted supr-green, in both 10 and 20 ft. lengths. Other materials, finishes and lengths are available upon request.



PROPERTIES OF SECTION

	Wt./Ft. Lbs.	Area of Section Sq. In.	X-X Axis			Y-Y Axis		
			I in ⁴	S in ³	r in.	I in ⁴	S in ³	r in.
AS 500	1.03	0.286	0.025	0.053	0.298	0.106	0.131	0.610
AS 500BTB	2.06	0.571	0.115	0.149	0.449	0.213	0.262	0.610

I = Moment of Inertia S = Section Modulus r = Radius of Gyration

See page 15 for welded combinations.

NOTE: BOTH ARE ALSO AVAILABLE IN STAINLESS STEEL 304 AND 316 ALLOYS.

SECTION 1 – CHANNEL

AS 520 BEAM AND COLUMN LOADS

Span or Column (In.)	Anvil-Strut™ Catalog No.	Max Load of Column Loaded @ C.G. (Lbs.)	Static Beam Load (X-X Axis)			
			Allowable Uniform Load @ 25,000 PSI (Lbs.)	Deflection @ 25,000 PSI (In.)	Uniform Load @ L/240 (Lbs.)	Uniform Load @ L/360 (Lbs.)
12	AS 520	4,423	1,025	0.026	**	**
	AS 520 BTB	9,091	1,270 ***	0.017	**	**
18	AS 520	4,214	683	0.059	**	581
	AS 520 BTB	8,857	1,270 ***	0.038	**	**
24	AS 520	4,039	513	0.105	490	327
	AS 520 BTB	8,693	1,270 ***	0.067	**	**
30	AS 520	3,882	410	0.163	313	209
	AS 520 BTB	8,585	1,224	0.105	**	976
36	AS 520	3,727	342	0.235	218	145
	AS 520 BTB	8,513	1,020	0.150	1,017	678
42	AS 520	3,558	293	0.320	160	107
	AS 520 BTB	8,177	874	0.205	747	498
48	AS 520	3,369	256	0.419	122	81
	AS 520 BTB	7,774	765	0.267	572	381
60	AS 520	*	205	0.654	78	52
	AS 520 BTB	6,807	612	0.418	366	244
72	AS 520	*	171	0.941	54	36
	AS 520 BTB	5,625	510	0.602	254	169
84	AS 520	*	146	1.282	40	27
	AS 520 BTB	4,280	437	0.819	187	125
96	AS 520	*	128	1.674	31	21
	AS 520 BTB	*	382	1.070	143	95
108	AS 520	*	114	2.119	24	16
	AS 520 BTB	*	340	1.354	113	75
120	AS 520	*	103	2.616	20	13
	AS 520 BTB	*	306	1.672	91	61
180	AS 520	*	68	5.887	9	6
	AS 520 BTB	*	204	3.762	41	27
240	AS 520	*	51	10.465	5	3
	AS 520 BTB	*	153	6.689	23	15

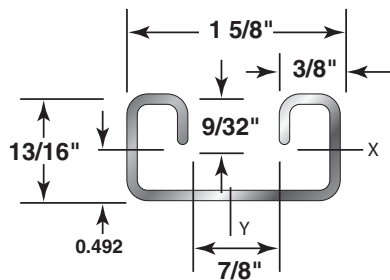
For Beam and Column Loading Data and load reduction information for channel with holes and concentrated loads, see notes on page 16.

AS 520

13/16" x 1 5/8"

12 Gauge Channel
wt./100 ft. - 135#

Stocked in pre-galvanized, plain and painted supr-green, in both 10 and 20 ft. lengths. Other materials, finishes and lengths are available upon request.

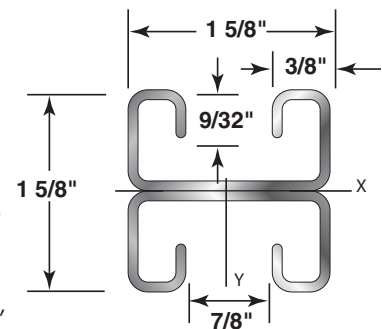


AS 520BTB

1 5/8" x 1 5/8"

12 Gauge Back-to-Back
wt./100 ft. - 270#

Stocked in pre-galvanized, plain and painted supr-green, in both 10 and 20 ft. lengths. Other materials, finishes and lengths are available upon request.



PROPERTIES OF SECTION								
Wt./Ft. Lbs.	Area of Section Sq. In.	X-X Axis			Y-Y Axis			
		I in ⁴	S in ³	r in.	I in ⁴	S in ³	r in.	
AS 520	1.374	0.374	0.030	0.062	0.283	0.135	0.166	0.600
AS 520BTB	2.700	0.748	0.140	0.184	0.432	0.270	0.332	0.600

I = Moment of Inertia S = Section Modulus r = Radius of Gyration

See page 15 for welded combinations.

NOTE: BOTH ARE ALSO AVAILABLE IN STAINLESS STEEL 304 AND 316 ALLOYS.

SECTION 1 – CHANNEL

AS 560 BEAM AND COLUMN LOADS

Span or Column (In.)	Anvil-Strut™ Catalog No.	Max Load of Column Loaded @ C.G. (Lbs.)	Static Beam Load (X-X Axis)			
			Allowable Uniform Load @ 25,000 PSI (Lbs.)	Deflection @ 25,000 PSI (In.)	Uniform Load @ L/240 (Lbs.)	Uniform Load @ L/360 (Lbs.)
12	AS 560	4,820	800	0.03	—	—
18	AS 560	4,320	540	0.06	—	450
24	AS 560	3,610	400	0.11	380	250
30	AS 560	2,700	320	0.17	240	160
36	AS 560	1,880	270	0.24	170	110
42	AS 560	1,380	230	0.33	120	80
48	AS 560	1,060	200	0.43	90	60
54	AS 560	830	180	0.54	70	50
60	AS 560	680	160	0.67	60	40
66	AS 560	—	150	0.81	50	30
72	AS 560	—	130	0.96	40	30
84	AS 560	—	110	1.31	30	20
96	AS 560	—	100	1.71	20	20
108	AS 560	—	90	2.16	20	10
120	AS 560	—	80	2.67	20	10

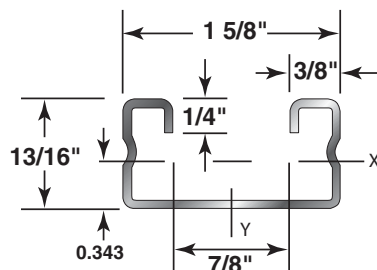
For Beam and Column Loading Data and load reduction information for channel with holes and concentrated loads, see notes on page 16.

AS 560

1³/₁₆" x 1⁵/₈"

16 Gauge Channel
wt./100 ft. - 135#

Stocked in pre-galvanized, plain and painted sup-green, in both 10 and 20 ft. lengths. Other materials, finishes and lengths are available upon request.



PROPERTIES OF SECTION

	Wt./Ft. Lbs.	Area of Section Sq. In.	X-X Axis			Y-Y Axis		
			I in ⁴	S in ³	r in.	I in ⁴	S in ³	r in.
AS 560	81	0.239	0.023	0.048	0.308	0.091	0.112	0.617

I = Moment of Inertia S = Section Modulus r = Radius of Gyration

LEGEND:
GR: Painted Green
EG: Electro-Galvanized

PG: Pre-Galvanized
AL: Aluminum
HG: Hot Dipped Galvanized

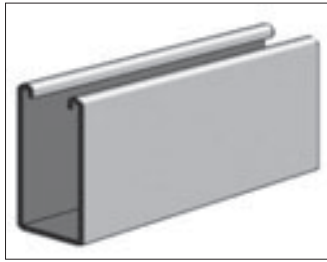
PL: Plain
SS: Stainless Steel
ZD: Zinc Dichromate



SECTION 1 – CHANNEL

AS 100 CHANNEL

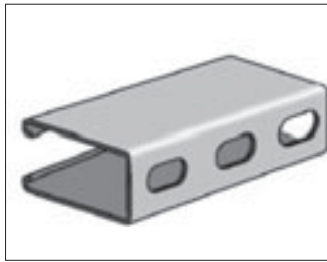
1 5/8" x 3 1/4" x 12 Ga.



Discount Code AA			Per 100 Ft.		
Part No.	Std. Pkg.	Wt.	PL	GR	PG
AS 100 10	300'	305	\$1,336.50	\$1,468.50	\$1,579.60
AS 100 20	600'	305	\$1,336.50	\$1,468.50	\$1,579.60

AS 100EH CHANNEL WITH ELONGATED HOLES

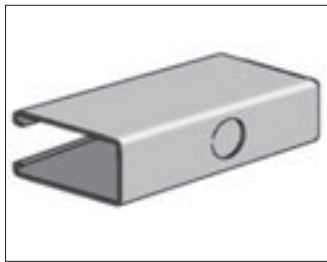
5/16" x 1 1/8" Elongated Holes
 On 2" Centers
 1 5/8" x 3 1/4" x 12 Ga.



Discount Code AA			Per 100 Ft.		
Part No.	Std. Pkg.	Wt.	PL	GR	PG
AS 100EH 10	300'	300	\$1,719.30	\$1,728.10	\$1,832.60
AS 100EH 20	600'	300	\$1,719.30	\$1,728.10	\$1,832.60

AS 100KO CHANNEL WITH KNOCK OUT

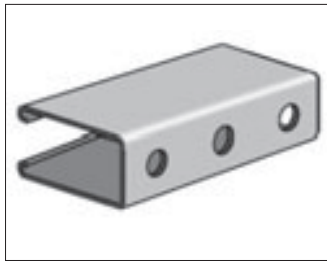
7/8" Knock Out On 6" Centers
 1 5/8" x 3 1/4" x 12 Ga.



Discount Code AA			Per 100 Ft.		
Part No.	Std. Pkg.	Wt.	PL	GR	PG
AS 100KO 10	300'	305	\$1,887.60	\$2,087.80	\$2,231.90
AS 100KO 20	600'	305	\$1,887.60	\$2,087.80	\$2,231.90

AS 100H CHANNEL WITH HOLES

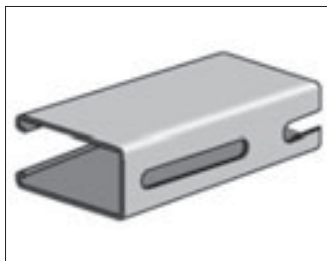
5/16" Holes On 1 7/8" Centers
 1 5/8" x 3 1/4" x 12 Ga.



Discount Code AA			Per 100 Ft.		
Part No.	Std. Pkg.	Wt.	PL	GR	PG
AS 100H 10	300'	300	\$1,903.00	\$2,121.90	\$2,268.20
AS 100H 20	600'	300	\$1,903.00	\$2,121.90	\$2,268.20

AS 100S CHANNEL WITH LONG SLOTS

13/32" x 3" Slots On 4" Centers
 1 5/8" x 3 1/4" x 12 Ga.



Discount Code AA			Per 100 Ft.		
Part No.	Std. Pkg.	Wt.	PL	GR	PG
AS 100S 10	300'	300	\$1,917.30	\$2,124.10	\$2,271.50
AS 100S 20	600'	300	\$1,917.30	\$2,124.10	\$2,271.50

AS 100BTB WELDED CHANNEL

Two Pcs. AS 100 Welded Back To Back
 1 5/8" x 6 1/2" x 12 Ga.



Discount Code AA			Per 100 Ft.		
Part No.	Std. Pkg.	Wt.	PL	GR	PG
AS 100BTB 10	150'	610	\$3,586.00	\$3,969.90	\$4,316.40
AS 100BTB 20	200'	610	\$3,586.00	\$3,969.90	\$4,316.40

CHANNEL

NUTS/HARDWARE

FITTINGS

PIPE/CONDUIT SUPPORTS

KLO-SHURE®

CONCRETE INSERTS

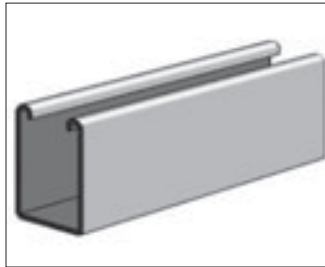
SPECIALTY STRUT

TECHNICAL DATA

SECTION 1 – CHANNEL

AS 150 CHANNEL

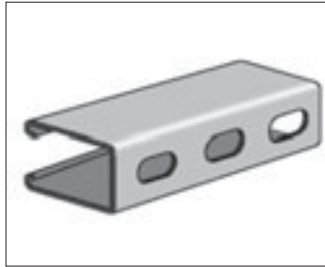
1⁵/₈" x 2⁷/₁₆" x 12 Ga.



Discount Code AA			Per 100 Ft.		
Part No.	Std. Pkg.	Wt.	PL	GR	PG
AS 150 10	400'	247	\$1,071.40	\$1,182.50	\$1,406.90
AS 150 20	800'	247	\$1,071.40	\$1,182.50	\$1,406.90

AS 150EH CHANNEL WITH ELONGATED HOLES

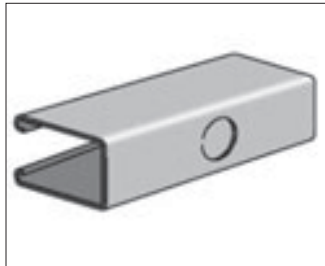
9¹⁶/₁₆" x 1¹/₈" Elongated Holes
On 2" Centers
1⁵/₈" x 2⁷/₁₆" x 12 Ga.



Discount Code AA			Per 100 Ft.		
Part No.	Std. Pkg.	Wt.	PL	GR	PG
AS 150EH 10	400'	242	\$1,294.70	\$1,402.50	\$1,502.60
AS 150EH 20	800'	242	\$1,294.70	\$1,402.50	\$1,502.60

AS 150KO CHANNEL WITH KNOCK OUTS

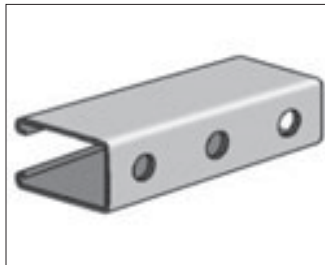
7⁸/₈" Knock Outs On 6" Centers
1⁵/₈" x 2⁷/₁₆" x 12 Ga.



Discount Code AA			Per 100 Ft.		
Part No.	Std. Pkg.	Wt.	PL	GR	PG
AS 150KO 10	400'	247	\$1,535.60	\$1,690.70	\$1,801.80
AS 150KO 20	800'	247	\$1,535.60	\$1,690.70	\$1,801.80

AS 150H CHANNEL WITH HOLES

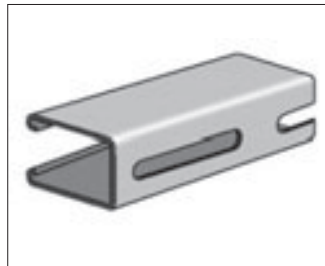
9¹⁶/₁₆" Holes On 1⁷/₈" Centers
1⁵/₈" x 2⁷/₁₆" x 12 Ga.



Discount Code AA			Per 100 Ft.		
Part No.	Std. Pkg.	Wt.	PL	GR	PG
AS 150H 10	400'	242	\$1,544.40	\$1,701.70	\$1,804.00
AS 150H 20	800'	242	\$1,544.40	\$1,701.70	\$1,804.00

AS 150S CHANNEL WITH LONG SLOTS

1³/₃₂" x 3" Slots On 4" Centers
1⁵/₈" x 2⁷/₁₆" x 12 Ga.



Discount Code AA			Per 100 Ft.		
Part No.	Std. Pkg.	Wt.	PL	GR	PG
AS 150S 10	400'	242	\$1,530.10	\$1,712.70	\$1,804.00
AS 150S 20	800'	242	\$1,530.10	\$1,712.70	\$1,804.00

AS 150BTB WELDED CHANNEL

Two Pcs. AS 150 Welded Back To Back
1⁵/₈" x 4⁷/₈" x 12 Ga.



Discount Code AA			Per 100 Ft.		
Part No.	Std. Pkg.	Wt.	PL	GR	PG
AS 150BTB 10	200'	484	\$2,861.10	\$2,916.10	\$3,136.10
AS 150BTB 20	200'	484	\$2,861.10	\$2,916.10	\$3,136.10

LEGEND:
GR: Painted Green
EG: Electro-Galvanized

PG: Pre-Galvanized
AL: Aluminum
HG: Hot Dipped Galvanized

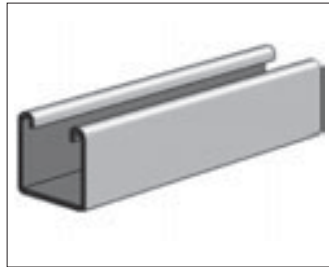
PL: Plain
SS: Stainless Steel
ZD: Zinc Dichromate



SECTION 1 – CHANNEL

AS 200 CHANNEL

1 5/8" x 1 5/8" x 12 Ga.

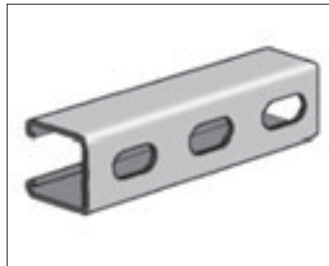


Discount Code AA		Per 100 Ft.			
Part No.	Std. Pkg.	Wt.	PL	GR	PG
AS 200 10	500'	190	\$726.00	\$784.30	\$803.00
AS 200 20	500'	190	\$726.00	\$784.30	\$803.00

For Stainless Steel, Zinc Dichromate and Hot Dipped Galvanized, refer to page 86 in the Specialty Strut Section.

AS 200EH CHANNEL WITH ELONGATED HOLES

9/16" x 1 1/8" Elongated Holes
 On 2" Centers
 1 5/8" x 1 5/8" x 12 Ga.

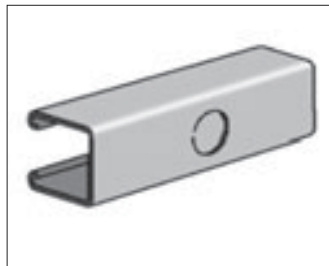


Discount Code AA		Per 100 Ft.			
Part No.	Std. Pkg.	Wt.	PL	GR	PG
AS 200EH 10	500'	185	\$849.20	\$875.60	\$892.10
AS 200EH 20	500'	185	\$849.20	\$875.60	\$892.10

For Stainless Steel, Zinc Dichromate and Hot Dipped Galvanized, refer to page 86 in the Specialty Strut Section.

AS 200KO CHANNEL WITH KNOCK OUTS

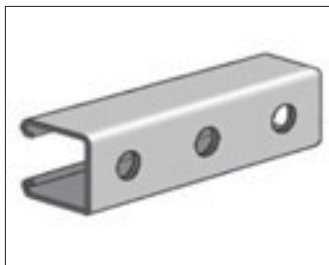
7/8" Knock Outs On 6" Centers
 1 5/8" x 1 5/8" x 12 Ga.



Discount Code AA		Per 100 Ft.			
Part No.	Std. Pkg.	Wt.	PL	GR	PG
AS 200KO 10	500'	190	\$864.60	\$915.20	\$950.40
AS 200KO 20	500'	190	\$864.60	\$915.20	\$950.40

AS 200H CHANNEL WITH HOLES

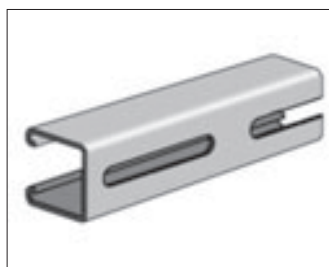
9/16" Holes On 1 7/8" Centers
 1 5/8" x 1 5/8" x 12 Ga.



Discount Code AA		Per 100 Ft.			
Part No.	Std. Pkg.	Wt.	PL	GR	PG
AS 200H 10	500'	186	\$864.60	\$904.20	\$908.60
AS 200H 20	500'	186	\$864.60	\$904.20	\$908.60

AS 200S CHANNEL WITH LONG SLOTS

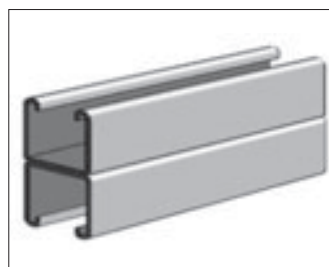
13/32" x 3" Slots On 4" Centers
 1 5/8" x 1 5/8" x 12 Ga.



Discount Code AA		Per 100 Ft.			
Part No.	Std. Pkg.	Wt.	PL	GR	PG
AS 200S 10	500'	185	\$869.00	\$883.30	\$919.60
AS 200S 20	500'	185	\$869.00	\$883.30	\$919.60

AS 200BTB WELDED CHANNEL

Two Pcs. AS 200 Welded Back To Back
 1 5/8" x 3 1/4" x 12 Ga.



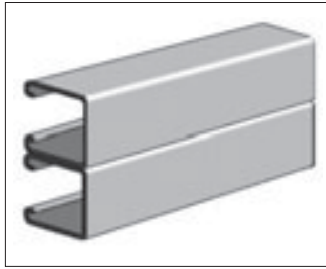
Discount Code AA		Per 100 Ft.			
Part No.	Std. Pkg.	Wt.	PL	GR	PG
AS 200BTB 10	250'	380	\$1,599.40	\$1,720.40	\$1,756.70
AS 200BTB 20	300'	380	\$1,599.40	\$1,720.40	\$1,756.70

For Stainless Steel, Zinc Dichromate and Hot Dipped Galvanized, refer to page 86 in the Specialty Strut Section.

SECTION 1 – CHANNEL

AS 200STS WELDED CHANNEL

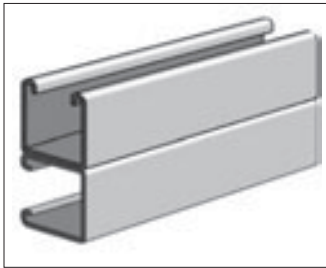
Two Pcs. AS 200 Welded Side To Side
1⁵/₈" x 3¹/₄" x 12 Ga.



Discount Code AA		Per 100 Ft.				
Part No.	Std. Pkg.	Wt.	PL	GR	PG	
AS 200STS 10	250'	380	\$2,336.40	\$2,636.70	\$2,871.00	
AS 200STS 20	300'	380	\$2,336.40	\$2,636.70	\$2,871.00	

AS 200BTS WELDED CHANNEL

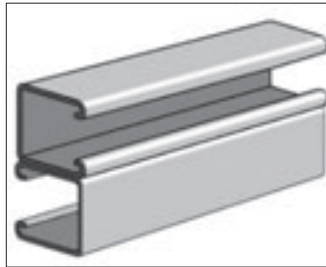
Two Pcs. AS 200 Welded Side To Back
1⁵/₈" x 3¹/₄" x 12 Ga.



Discount Code AA		Per 100 Ft.				
Part No.	Std. Pkg.	Wt.	PL	GR	PG	
AS 200BTS 10	250'	380	\$2,336.40	\$2,636.70	\$3,094.30	
AS 200BTS 20	300'	380	\$2,336.40	\$2,636.70	\$3,094.30	

AS 200STR WELDED CHANNEL

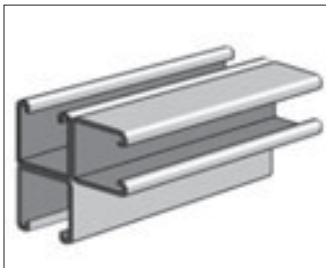
Two Pcs. AS 200 Welded Side To
Opposite Side
1⁵/₈" x 3¹/₄" x 12 Ga.



Discount Code AA		Per 100 Ft.				
Part No.	Std. Pkg.	Wt.	PL	GR	PG	
AS200STR 10	250'	380	\$2,336.40	\$2,636.70	\$2,871.00	
AS200STR 20	300'	380	\$2,336.40	\$2,636.70	\$2,871.00	

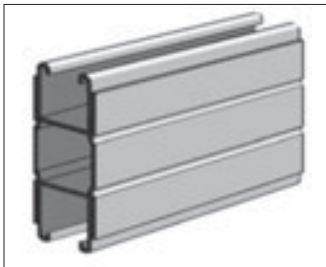
AS 200BTBS WELDED CHANNEL

Three Pcs. AS 200
Welded Side To Side
3¹/₄" x 3¹/₄" x 12 Ga.



Discount Code AA		Per 100 Ft.				
Part No.	Std. Pkg.	Wt.	PL	GR	PG	
AS200BTBS 10	100'	570	\$5,993.90	\$6,398.70	\$8,000.30	
AS200BTBS 20	200'	570	\$5,993.90	\$6,398.70	\$8,000.30	

AS 200BTBF3 WELDED CHANNEL



Discount Code AA		Per 100 Ft.				
Part No.	Std. Pkg.	Wt.	PL	GR	PG	
AS200BTBF3 10	50'	670	\$7,990.40	\$8,393.00	\$10,244.30	
AS200BTBF3 20	100'	670	\$7,990.40	\$8,393.00	\$10,244.30	

LEGEND:
GR: Painted Green
EG: Electro-Galvanized

PG: Pre-Galvanized
AL: Aluminum
HG: Hot Dipped Galvanized

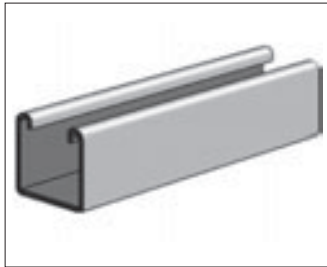
PL: Plain
SS: Stainless Steel
ZD: Zinc Dichromate



SECTION 1 – CHANNEL

AS 210 CHANNEL

1 5/8" x 1 5/8" x 14 Ga.

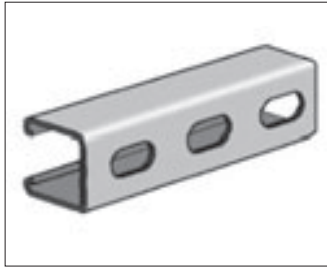


Discount Code AA		Per 100 Ft.			
Part No.	Std. Pkg.	Wt.	PL	GR	PG
AS 210 10	500'	141	\$613.80	\$672.10	\$695.20
AS 210 20	500'	141	\$613.80	\$672.10	\$695.20

For Stainless Steel, Zinc Dichromate and Hot Dipped Galvanized, refer to page 87 in the Specialty Strut Section.

AS 210EH CHANNEL WITH ELONGATED HOLES

9/16" x 1 1/8" Elongated Holes
 On 2" Centers
 1 5/8" x 1 5/8" x 14 Ga.

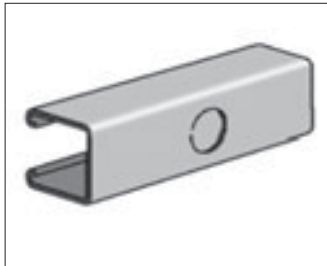


Discount Code AA		Per 100 Ft.			
Part No.	Std. Pkg.	Wt.	PL	GR	PG
AS 210EH 10	500'	137	\$748.00	\$761.20	\$788.70
AS 210EH 20	500'	137	\$748.00	\$761.20	\$788.70

For Stainless Steel, Zinc Dichromate and Hot Dipped Galvanized, refer to page 87 in the Specialty Strut Section.

AS 210KO CHANNEL WITH KNOCK OUTS

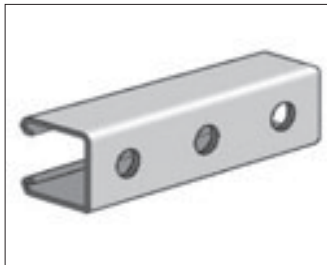
7/8" Knock Outs On 6" Centers
 1 5/8" x 1 5/8" x 14 Ga.



Discount Code AA		Per 100 Ft.			
Part No.	Std. Pkg.	Wt.	PL	GR	PG
AS 210KO 10	500'	141	\$955.90	\$965.80	\$990.00
AS 210KO 20	500'	141	\$955.90	\$965.80	\$990.00

AS 210H STEEL CHANNEL WITH HOLES

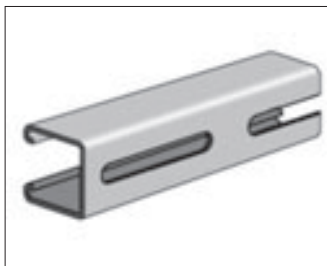
9/16" Holes On 1 7/8" Centers
 1 5/8" x 1 5/8" x 14 Ga.



Discount Code AA		Per 100 Ft.			
Part No.	Std. Pkg.	Wt.	PL	GR	PG
AS 210H 10	500'	137	\$875.60	\$972.40	\$990.00
AS 210H 20	500'	137	\$875.60	\$972.40	\$990.00

AS 210S CHANNEL WITH LONG SLOTS

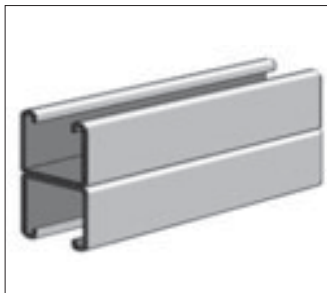
13/32" x 3" Slots On 4" Centers
 1 5/8" x 1 5/8" x 14 Ga.



Discount Code AA		Per 100 Ft.			
Part No.	Std. Pkg.	Wt.	PL	GR	PG
AS 210S 10	500'	137	\$827.20	\$834.90	\$928.40
AS 210S 20	500'	137	\$827.20	\$834.90	\$928.40

AS 210BTB WELDED CHANNEL

Two Pcs. AS 210 Welded
 Back To Back
 1 5/8" x 3 1/4" x 14 Ga.



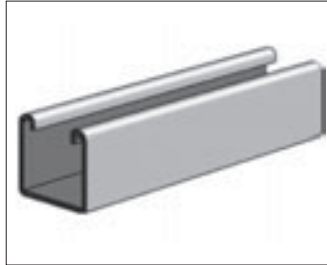
Discount Code AA		Per 100 Ft.			
Part No.	Std. Pkg.	Wt.	PL	GR	PG
AS 210BTB 10	250'	282	\$1,697.30	\$1,932.70	\$1,965.70
AS 210BTB 20	300'	282	\$1,697.30	\$1,932.70	\$1,965.70

For Stainless Steel, Zinc Dichromate and Hot Dipped Galvanized, refer to page 87 in the Specialty Strut Section.

SECTION 1 – CHANNEL

AS 300 CHANNEL

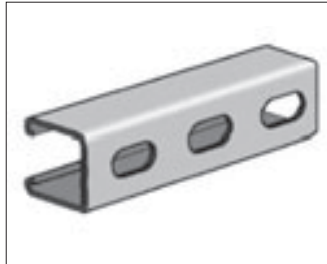
1 5/8" x 1 3/8" x 12 Ga.



Discount Code AA		Per 100 Ft.			
Part No.	Std. Pkg.	Wt.	PL	GR	PG
AS 300 10	500'	170	\$756.80	\$840.40	\$875.60
AS 300 20	500'	170	\$756.80	\$840.40	\$875.60

AS 300EH CHANNEL WITH ELONGATED HOLES

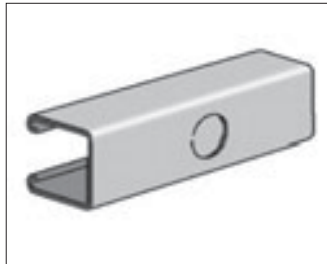
3/16" x 1 1/8" Elongated Holes
On 2" Centers
1 5/8" x 1 3/8" x 12 Ga.



Discount Code AA		Per 100 Ft.			
Part No.	Std. Pkg.	Wt.	PL	GR	PG
AS 300EH 10	500'	165	\$1,043.90	\$1,056.00	\$1,072.50
AS 300EH 20	500'	165	\$1,043.90	\$1,056.00	\$1,072.50

AS 300KO CHANNEL WITH KNOCK OUTS

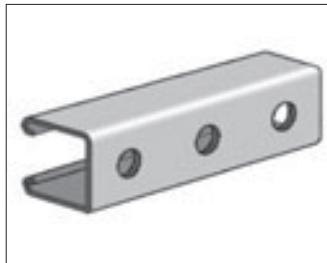
7/8" Knock Outs On 6" Centers
1 5/8" x 1 3/8" x 12 Ga.



Discount Code AA		Per 100 Ft.			
Part No.	Std. Pkg.	Wt.	PL	GR	PG
AS 300KO 10	500'	170	\$1,060.40	\$1,180.30	\$1,194.60
AS 300KO 20	500'	170	\$1,060.40	\$1,180.30	\$1,194.60

AS 300H CHANNEL WITH HOLES

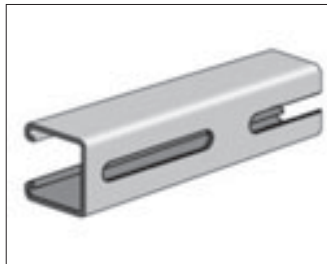
3/16" Holes On 1 7/8" Centers
1 5/8" x 1 3/8" x 12 Ga.



Discount Code AA		Per 100 Ft.			
Part No.	Std. Pkg.	Wt.	PL	GR	PG
AS 300H 10	500'	165	\$1,073.60	\$1,128.60	\$1,196.80
AS 300H 20	500'	165	\$1,073.60	\$1,128.60	\$1,196.80

AS 300S CHANNEL WITH LONG SLOTS

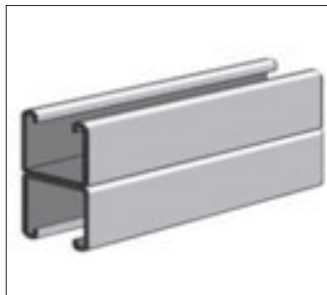
1 3/32" x 3" Slots On 4" Centers
1 5/8" x 1 3/8" x 12 Ga.



Discount Code AA		Per 100 Ft.			
Part No.	Std. Pkg.	Wt.	PL	GR	PG
AS 300S 10	500'	165	\$1,063.70	\$1,180.30	\$1,197.90
AS 300S 20	500'	165	\$1,063.70	\$1,180.30	\$1,197.90

AS 300BTB WELDED CHANNEL

Two Pcs. AS 300 Welded Back To Back
1 5/8" x 2 3/4" x 12 Ga.



Discount Code AA		Per 100 Ft.			
Part No.	Std. Pkg.	Wt.	PL	GR	PG
AS 300BTB 10	250'	340	\$1,843.60	\$2,031.70	\$2,085.60
AS 300BTB 20	300'	340	\$1,843.60	\$2,031.70	\$2,085.60

LEGEND:
GR: Painted Green
EG: Electro-Galvanized

PG: Pre-Galvanized
AL: Aluminum
HG: Hot Dipped Galvanized

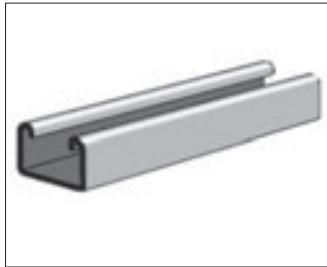
PL: Plain
SS: Stainless Steel
ZD: Zinc Dichromate



SECTION 1 – CHANNEL

AS 400 CHANNEL

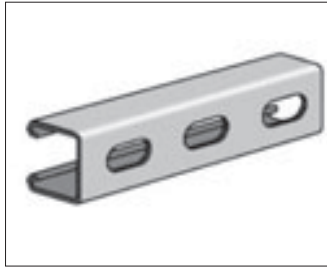
1 5/8" x 1" x 12 Ga.



Discount Code AA				Per 100 Ft.		
Part No.	Std. Pkg.	Wt.	PL	GR	PG	
AS 400 10	500'	146	\$613.80	\$683.10	\$763.40	
AS 400 20	500'	146	\$613.80	\$683.10	\$763.40	

AS 400EH CHANNEL WITH SHORT SLOTS

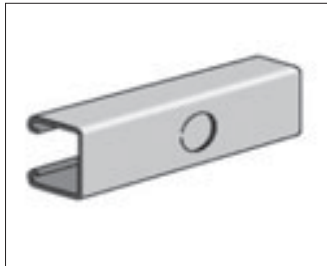
9/16" x 1 1/8" Elongated Holes
 On 2" Centers
 1 5/8" x 1" x 12 Ga.



Discount Code AA				Per 100 Ft.		
Part No.	Std. Pkg.	Wt.	PL	GR	PG	
AS 400EH 10	500'	141	\$787.60	\$852.50	\$866.80	
AS 400EH 20	500'	141	\$787.60	\$852.50	\$866.80	

AS 400KO CHANNEL WITH KNOCK OUTS

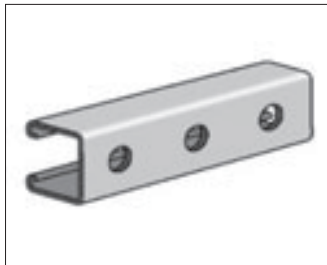
7/8" Knock Outs On 6" Centers
 1 5/8" x 1" x 12 Ga.



Discount Code AA				Per 100 Ft.		
Part No.	Std. Pkg.	Wt.	PL	GR	PG	
AS 400KO 10	500'	146	\$926.20	\$1,026.30	\$1,053.80	
AS 400KO 20	500'	146	\$926.20	\$1,026.30	\$1,053.80	

AS 400H CHANNEL WITH HOLES

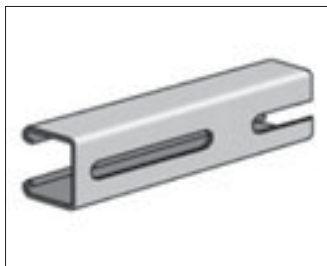
9/16" Holes On 1 7/8" Centers
 1 5/8" x 1" x 12 Ga.



Discount Code AA				Per 100 Ft.		
Part No.	Std. Pkg.	Wt.	PL	GR	PG	
AS 400H 10	500'	141	\$915.20	\$1,024.10	\$1,041.70	
AS 400H 20	500'	141	\$915.20	\$1,024.10	\$1,041.70	

AS 400S CHANNEL WITH LONG SLOTS

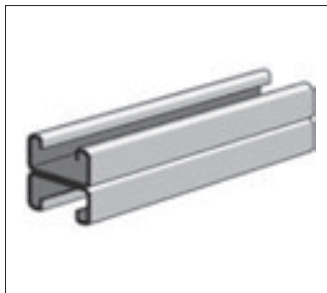
1 3/32" x 3" Slots On 4" Centers
 1 5/8" x 1" x 12 Ga.



Discount Code AA				Per 100 Ft.		
Part No.	Std. Pkg.	Wt.	PL	GR	PG	
AS 400S 10	500'	141	\$883.30	\$927.30	\$943.80	
AS 400S 20	500'	141	\$883.30	\$927.30	\$943.80	

AS 400BTB WELDED CHANNEL

Two Pcs. AS 400 Welded Back To Back
 1 5/8" x 2" x 12 Ga.

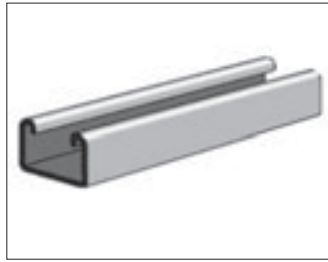


Discount Code AA				Per 100 Ft.		
Part No.	Std. Pkg.	Wt.	PL	GR	PG	
AS 400BTB 10	250'	292	\$1,756.70	\$1,955.80	\$1,995.40	
AS 400BTB 20	300'	292	\$1,756.70	\$1,955.80	\$1,995.40	

SECTION 1 – CHANNEL

AS 500 CHANNEL

1 5/8" x 1 3/16" x 14 Ga.

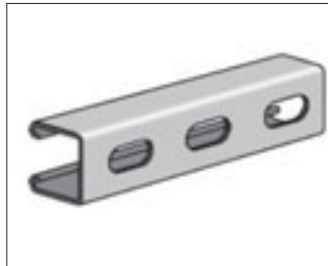


Discount Code AA		Per 100 Ft.			
Part No.	Std. Pkg.	Wt.	PL	GR	PG
AS 500 10	500'	97	\$489.50	\$536.80	\$548.90
AS 500 20	500'	97	\$489.50	\$536.80	\$548.90

For Stainless Steel, Zinc Dichromate and Hot Dipped Galvanized, refer to page 88 in the Specialty Strut Section.

AS 500EH CHANNEL WITH ELONGATED HOLES

9/16" x 1 1/8" Elongated Holes
On 2" Centers
1 5/8" x 1 3/16" x 14 Ga.

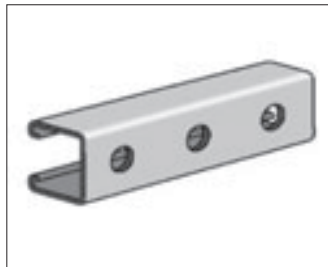


Discount Code AA		Per 100 Ft.			
Part No.	Std. Pkg.	Wt.	PL	GR	PG
AS 500EH 10	500'	87	\$602.80	\$621.50	\$631.40
AS 500EH 20	500'	87	\$602.80	\$621.50	\$631.40

For Stainless Steel, Zinc Dichromate and Hot Dipped Galvanized, refer to page 88 in the Specialty Strut Section.

AS 500H CHANNEL WITH HOLES

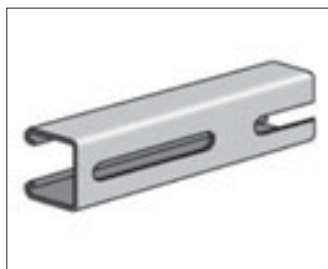
9/16" Holes On 1 7/8" Centers
1 5/8" x 1 3/16" x 14 Ga.



Discount Code AA		Per 100 Ft.			
Part No.	Std. Pkg.	Wt.	PL	GR	PG
AS 500H 10	500'	87	\$635.80	\$661.10	\$666.60
AS 500H 20	500'	87	\$635.80	\$661.10	\$666.60

AS 500S CHANNEL WITH LONG SLOTS

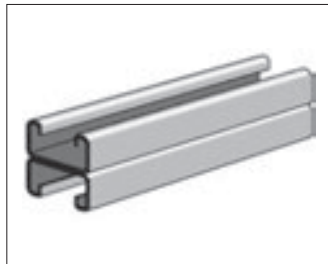
1 3/32" x 3" Slots On 4" Centers
1 5/8" x 1 3/16" x 14 Ga.



Discount Code AA		Per 100 Ft.			
Part No.	Std. Pkg.	Wt.	PL	GR	PG
AS 500S 10	500'	87	\$635.80	\$653.40	\$664.40
AS 500S 20	500'	87	\$635.80	\$653.40	\$664.40

AS 500BTB WELDED CHANNEL

Two Pcs. AS 500 Welded Back To Back
1 5/8" x 1 3/16" x 14 Ga.



Discount Code AA		Per 100 Ft.			
Part No.	Std. Pkg.	Wt.	PL	GR	PG
AS 500BTB 10	250'	194	\$1,344.20	\$1,400.30	\$1,524.60
AS 500BTB 20	300'	194	\$1,344.20	\$1,400.30	\$1,524.60

For Stainless Steel, Zinc Dichromate and Hot Dipped Galvanized, refer to page 88 in the Specialty Strut Section.

LEGEND:
GR: Painted Green
EG: Electro-Galvanized

PG: Pre-Galvanized
AL: Aluminum
HG: Hot Dipped Galvanized

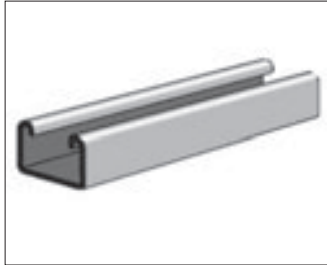
PL: Plain
SS: Stainless Steel
ZD: Zinc Dichromate



SECTION 1 – CHANNEL

AS 520 CHANNEL

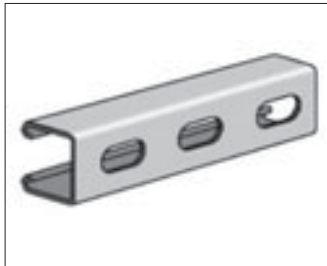
1 5/8" x 1 3/16" x 12 Ga.



Discount Code AA				Per 100 Ft.		
Part No.	Std. Pkg.	Wt.	PL	GR	PG	
AS 520 10	500'	128	\$674.30	\$719.40	\$730.40	
AS 520 20	500'	128	\$674.30	\$719.40	\$730.40	

AS 520EH CHANNEL WITH ELONGATED HOLES

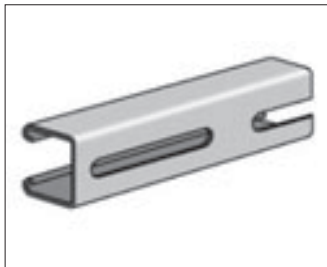
9/16" x 1 1/8" Elongated Holes
 On 2" Centers
 1 5/8" x 1 3/16" x 12 Ga.



Discount Code AA				Per 100 Ft.		
Part No.	Std. Pkg.	Wt.	PL	GR	PG	
AS 520EH 10	500'	123	\$805.20	\$827.20	\$836.00	
AS 520EH 20	500'	123	\$805.20	\$827.20	\$836.00	

AS 520S CHANNEL WITH LONG SLOTS

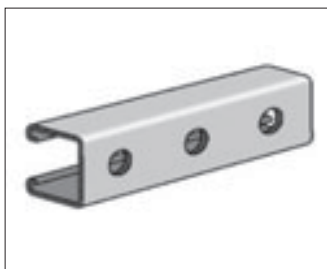
1 3/32" x 3" Slots On 4" Centers
 1 5/8" x 1 3/16" x 12 Ga.



Discount Code AA				Per 100 Ft.		
Part No.	Std. Pkg.	Wt.	PL	GR	PG	
AS 520S 10	500'	118	\$840.40	\$842.60	\$873.40	
AS 520S 20	500'	118	\$840.40	\$842.60	\$873.40	

AS 520H CHANNEL WITH HOLES

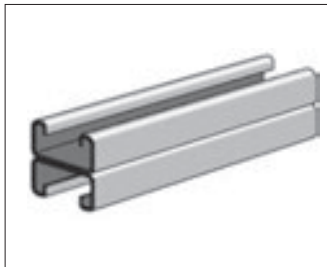
9/16" Holes On 1 7/8" Centers
 1 5/8" x 1 3/16" x 12 Ga.



Discount Code AA				Per 100 Ft.		
Part No.	Std. Pkg.	Wt.	PL	GR	PG	
AS 520H 10	500'	123	\$840.40	\$871.20	\$875.60	
AS 520H 20	500'	123	\$840.40	\$871.20	\$875.60	

AS 520BTB WELDED CHANNEL

Two Pcs. AS 520 Welded Back To Back
 1 5/8" x 1 3/16" x 12 Ga.



Discount Code AA				Per 100 Ft.		
Part No.	Std. Pkg.	Wt.	PL	GR	PG	
AS 520BTB 10	250'	256	\$1,602.70	\$1,617.00	\$1,657.70	
AS 520BTB 20	300'	256	\$1,602.70	\$1,617.00	\$1,657.70	

SECTION 1 – CHANNEL

AS 560 CHANNEL

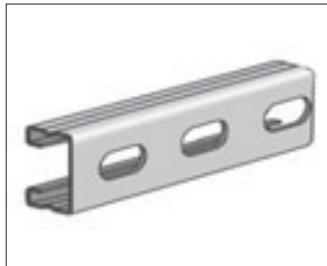
1 5/8" x 1 3/16" x 16 Ga.



Discount Code AA			Per 100 Ft.		
Part No.	Std. Pkg.	Wt.	PL	GR	PG
AS 560 10	500'	81	POA	POA	\$499.40
AS 560 20	500'	81	POA	POA	\$499.40

AS 560EH CHANNEL WITH ELONGATED HOLES

3/16" x 1 1/8" Elongated Holes
On 2" Centers
1 5/8" x 1 3/16" x 16 Ga.



Discount Code AA			Per 100 Ft.		
Part No.	Std. Pkg.	Wt.	PL	GR	PG
AS 560EH 10	500'	81	POA	POA	\$574.20
AS 560EH 20	500'	81	POA	POA	\$574.20

AS 707 RACEWAY CLOSURE STRIP

For All 1 5/8" Width Channels
(10' Length)



Discount Code AA			Per 100 Ft.	
Part No.	Std. Pkg.	Wt.	GR	PG
AS 707 10	100'	47	\$383.90	\$383.90

AS 707P PAINTED CLOSURE STRIP

For All 1 5/8" Width Channels
(10' Length)



Discount Code AA			Per 100 Ft.		
Part No.	Std. Pkg.	Wt.	GR	GREY	WHITE
AS 707P 10	100'	10	\$423.50	\$423.50	\$423.50

LEGEND:
GR: Painted Green
EG: Electro-Galvanized

PG: Pre-Galvanized
AL: Aluminum
HG: Hot Dipped Galvanized

PL: Plain
SS: Stainless Steel
ZD: Zinc Dichromate



SECTION 2 – CHANNEL NUTS & HARDWARE

DATA: The selection table shows the correct locking nuts for each size channel.

Long Spring



Cat. No.	Size	Thd.	Thk.	Wt./100 Pc.	Channel
AS LS	1/4"	20	1/4"	7	AS 100, AS 150
AS LS	3/8"	16	3/8"	10	
AS LS	1/2"	13	3/8"	10	
AS LS	1/2"	13	1/2"	13	
AS LS	5/8"	11	7/16"	23	
AS LS	3/4"	10	7/16"	20	
AS LS	5/16"	18	3/8"	7	

Without Spring



Cat. No.	Size	Thd.	Thk.	Wt./100 Pc.	Channel
AS NS	1/4"	20	1/4"	6	All Anvil-Strut™
AS NS	3/8"	16	3/8"	9	
AS NS	1/2"	13	3/8"	9	
AS NS	1/2"	13	1/2"	12	AS 100, AS 150, AS 200, AS 210, AS 300
AS NS	5/8"	11	7/16"	20	
AS NS	3/4"	10	7/16"	18	
AS NS	7/8"	9	7/16"	16	
AS NS	5/8"	11	3/8"	14	All Anvil-Strut™
AS NS	3/4"	10	3/8"	14	
AS NS	5/16"	18	3/8"	7	

Regular Spring



Cat. No.	Size	Thd.	Thk.	Wt./100 Pc.	Channel
AS RS	1/4"	20	1/4"	7	AS 200, AS 210, AS 300
AS RS	3/8"	16	3/8"	10	
AS RS	1/2"	13	3/8"	10	
AS RS	1/2"	13	1/2"	13	
AS RS	5/8"	11	7/16"	23	
AS RS	3/4"	10	7/16"	20	
AS RS	5/16"	18	3/8"	7	
AS RS	7/8"	9	7/16"	17	

Short Spring



Cat. No.	Size	Thd.	Thk.	Wt./100 Pc.	Channel
AS SS	1/4"	20	1/4"	7	AS 400, AS 500
AS SS	3/8"	16	3/8"	9	
AS SS	1/2"	13	3/8"	9	
AS SS	5/8"	11	3/8"	10	
AS SS	3/4"	10	3/8"	9	
AS SS	5/16"	18	3/8"	7	

Top Grip



Cat. No.	Size	Thd.	Thk.	Wt./100 Pc.	Channel
AS TG	1/4"	20	1/4"	6	All Anvil-Strut™
AS TG	3/8"	16	3/8"	9	
AS TG	1/2"	13	3/8"	9	
AS TG	5/16"	18	3/8"	7	

SPECIFICATIONS

GENERAL

Anvil-Strut™ Grip Lock Nuts are designed with specially formed teeth in the parallel channel recesses to grip the returned lip of the channel. The shearing action of the teeth assures positive locking of the Anvil-Strut™ channels to the fittings.

MATERIAL

Anvil-Strut™ Grip Lock Nuts are manufactured from mild steel bars, and are case hardened to a depth of .003" to .005" after machining, conforming to ASTM A576 GR1015. Selected sizes also available in Stainless Steel.

FINISH

All Anvil-Strut™ Grip Lock Nuts and Hardware have an electro-galvanized finish (ASTM-B-633 BSCI), unless otherwise noted.

ORDERING

On the Anvil-Strut™ Grip Lock Nuts, consult the selection table which shows the correct locking nut for each size channel. On the Hardware please specify the diameter or size required, and length where applicable.

LOAD DATA

Resistance to Slip	Pull Out Strength
12 Gauge - 1,400#	12 Gauge - 2,000#
14 Gauge - 1,100#	14 Gauge - 1,140#
15 Gauge - 1,100#	15 Gauge - 1,100#

NOTES

1. Test performed with 1/2" - 13 Bolt tightened to 50/Ft./Lbs. torque.
2. Tests performed in accordance with "The Metal Framing Manufacturers Association" 1983 Specifications.
3. Safety Factor of 3.

SECTION 2 – CHANNEL NUTS & HARDWARE

AS LS CLAMPING NUT WITH LONG SPRING

Use With AS 100 and AS 150 Channel.



Discount Code C		Per 100 Pieces		
Part No.	Size	Std. Pkg.	Wt.	EG
AS LS	1/4" x 20	50	7.5	\$319.00
AS LS	3/8" x 16	50	10.2	\$322.30
AS LS	1/2" x 13	50	12.3	\$342.10
AS LS	5/8" x 11	50	15.8	\$570.90
AS LS	3/4" x 10	50	14.1	\$643.50

This item sold in full box quantities.

AS NS CLAMPING NUT WITHOUT SPRING

Use With All 1 5/8" Wide Channel.



Discount Code A		Per 100 Pieces		
Part No.	Size	Std. Pkg.	Wt.	EG
AS NS	#10 x 24	100	6.7	\$220.00
AS NS	1/4" x 20	100	6.6	\$193.60
AS NS	5/16" x 18	100	6.4	\$216.70
AS NS	3/8" x 16	100	9.3	\$179.30
AS NS	1/2" x 13	100	11.4	\$199.10
AS NS	5/8" x 11	100	15.2	\$375.10
AS NS	3/4" x 10	100	13.0	\$436.70
AS NS	7/8" x 10	100	14.0	\$444.40
AS NS S	1/2" x 13	100	6.9	\$232.10
AS NS S	5/8" x 11	100	9.7	\$451.00
AS NS S	3/4" x 10	100	8.4	\$503.80

This item sold in full box quantities.

For Stainless Steel and Zinc Dichromate, refer to page 89 in the Specialty Strut Section.

AS RS CLAMPING NUT WITH REGULAR SPRING

Use With AS 200, AS 210 and AS 300 Channel.



Discount Code A		Per 100 Pieces		
Part No.	Size	Std. Pkg.	Wt.	EG
AS RS	#8 x 32	100	7.2	\$304.70
AS RS	#10 x 24	100	7.2	\$273.90
AS RS	#10 x 32	100	7.2	\$289.30
AS RS	1/4" x 20	100	7.1	\$199.10
AS RS	5/16" x 18	100	7.0	\$256.30
AS RS	3/8" x 16	100	9.9	\$213.40
AS RS	1/2" x 13	100	11.9	\$236.50
AS RS	5/8" x 11	100	15.5	\$476.30
AS RS	3/4" x 10	100	13.8	\$547.80
AS RS	7/8" x 9	100	14.3	\$573.10

This item sold in full box quantities.

For Stainless Steel and Zinc Dichromate, refer to page 89 in the Specialty Strut Section.

AS SS CLAMPING NUT WITH SHORT SPRING

Use With AS 400 and AS 500 Channel.



Discount Code C		Per 100 Pieces		
Part No.	Size	Std. Pkg.	Wt.	EG
AS SS	#8 x 32	100	7.0	\$255.20
AS SS	#10 x 24	100	7.0	\$255.20
AS SS	#10 x 32	100	7.0	\$699.60
AS SS	1/4" x 20	100	6.9	\$206.80
AS SS	5/16" x 18	100	6.7	\$242.00
AS SS	3/8" x 16	100	9.6	\$221.10
AS SS	1/2" x 13	100	8.8	\$240.90
AS SS	5/8" x 11	100	11.5	\$484.00

This item sold in full box quantities.

LEGEND:
GR: Painted Green
EG: Electro-Galvanized

PG: Pre-Galvanized
AL: Aluminum
HG: Hot Dipped Galvanized

PL: Plain
SS: Stainless Steel
ZD: Zinc Dichromate



SECTION 2 – CHANNEL NUTS & HARDWARE

AS TG TOP GRIP NUT WITH SPRING ON TOP

Use With All 1⁵/₈" Channel.



Discount Code C		Per 100 Pieces		
Part No.	Size	Std. Pkg.	Wt.	EG
AS TG	1/4" x 20	100	7.0	\$273.90
AS TG	3/8" x 16	100	10.0	\$284.90
AS TG	1/2" x 13	100	8.0	\$300.30

This item sold in full box quantities.
 3/16" x 18 size available as POA.

AS 517 STUD NUT WITH RS SPRING

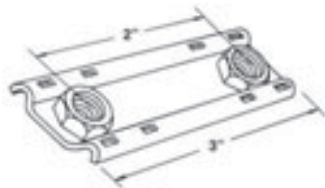


Discount Code C		Per 100 Pieces		
Part No.	Size	Std. Pkg.	Wt.	EG
AS 517	1/4" x 1"	100	8.1	\$983.40
AS 517	1/4" x 1 1/4"	100	8.3	\$1,106.60
AS 517	1/4" x 1 1/2"	100	8.6	\$1,118.70
AS 517	1/4" x 2"	100	9.1	\$1,125.30
AS 517	3/8" x 1"	100	13.0	\$1,234.20
AS 517	3/8" x 1 1/4"	100	14.0	\$1,254.00
AS 517	3/8" x 1 1/2"	100	14.0	\$1,449.80
AS 517	3/8" x 2"	100	15.0	\$1,482.80
AS 517	1/2" x 1"	100	15.0	\$1,510.30
AS 517	1/2" x 1 1/4"	100	16.0	\$1,598.30
AS 517	1/2" x 1 1/2"	100	17.0	\$1,612.60
AS 517	1/2" x 2"	100	19.0	\$1,620.30

This item sold in full box quantities.

AS 3281 DOUBLE CONVEYOR ADJUSTING NUT

Use For All 1⁵/₈" Wide
 Anvil-Strut™ Channels.



Discount Code C		Per 100 Pieces		
Part No.	Size	Threads	Wt.	EG
AS 3281	3/8"	16	17.5	\$539.00

This item sold in full box quantities.

AS 83 HEXAGON NUT



Discount Code D		Per 100 Pieces		
Part No.	Size	Std. Pkg.	Wt.	EG
AS 83	1/4"	500	0.7	\$33.00
AS 83	3/8"	500	1.6	\$42.90
AS 83	1/2"	100	3.8	\$75.90
AS 83	5/8"	50	7.3	\$107.80
AS 83	3/4"	50	11.9	\$185.90

This item sold in full box quantities.

FIG. 135 ROD COUPLING



Part No.	For Prices, See Anvil International
Fig. 135	Pipe Hanger List Price Sheet.

FIG. 146 CONTINUOUS THREADED ROD



Part No.	For Prices, See Anvil International
Fig. 146	Pipe Hanger List Price Sheet.

CHANNEL

NUTS/HARDWARE

FITTINGS

PIPE/CONDUIT SUPPORTS

KLO-SHURE®

CONCRETE INSERTS

SPECIALTY STRUT

TECHNICAL DATA

SECTION 2 – CHANNEL NUTS & HARDWARE

**AS 203
LINKED EYELET
WITH STUD**



Discount Code D		Per 100 Pieces			
Part No.	Size	Max. Load	Std. Pkg.	Wt.	EG
AS 203	3/8"	610	100	27.0	\$2,622.40
AS 203	1/2"	610	50	45.0	\$2,852.30

**AS 209
FLAT WASHER**



Discount Code D		Per 100 Pieces			
Part No.	Size	Std. Pkg.	Wt.	EG	
AS 209	1/4"	200	0.7	\$16.50	
AS 209	3/8"	100	1.5	\$27.50	
AS 209	1/2"	100	3.9	\$48.40	
AS 209	5/8"	100	7.7	\$103.40	
AS 209	3/4"	100	11.0	\$172.70	

This item sold in full box quantities.

**AS 211
LOCK WASHER**



Discount Code D		Per 100 Pieces			
Part No.	Size	Std. Pkg.	Wt.	EG	
AS 211	1/4"	100	0.3	\$25.30	
AS 211	3/8"	100	0.7	\$26.40	
AS 211	1/2"	100	1.5	\$40.70	

This item sold in full box quantities.

**AS 230
FENDER WASHER**



Discount Code D		Per 100 Pieces			
Part No.	Size	Std. Pkg.	Wt.	EG	
AS 230	1/4"	100	3.3	\$99.00	
AS 230	3/8"	100	3.0	\$101.20	
AS 230	1/2"	100	2.8	\$132.00	

This item sold in full box quantities.

**AS 6075
SLOTTED
HEX HEAD
MACHINE SCREW**



Discount Code D		Per 100 Pieces			
Part No.	Size	Std. Pkg.	Wt.	EG	
AS 6075	1/4" x 3/4"	100	1.7	\$50.60	
AS 6075	5/16" x 1"	100	2.6	\$68.20	
AS 6075	5/16" x 1 1/4"	100	3.0	\$125.40	
AS 6075	5/16" x 1 1/2"	100	3.4	\$74.80	
AS 6075	3/8" x 1 1/4"	100	5.3	\$130.90	

This item sold in full box quantities.

**AS 6108
SQUARE NUT**



Discount Code D		Per 100 Pieces			
Part No.	Size	Std. Pkg.	Wt.	EG	
AS 6108	1/4"	100	0.9	\$19.80	
AS 6108	5/16"	100	1.6	\$40.70	
AS 6108	3/8"	100	2.6	\$59.40	
AS 6108	1/2"	100	5.8	\$94.60	

This item sold in full box quantities.

LEGEND:
GR: Painted Green
EG: Electro-Galvanized

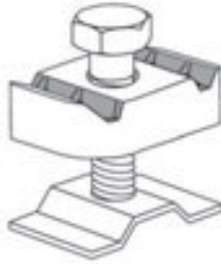
PG: Pre-Galvanized
AL: Aluminum
HG: Hot Dipped Galvanized

PL: Plain
SS: Stainless Steel
ZD: Zinc Dichromate



SECTION 2 – CHANNEL NUTS & HARDWARE

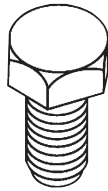
AS 3500 SEISMIC ROD STIFFENER



Discount Code C		Per 100 Pieces		
Part No.	Size	Std. Pkg.	Wt.	EG
AS 3500	3/8" - 5/8"	25	16.0	\$1,888.70

This item sold in full box quantities.
 For Zinc Dichromate, refer to page 98 in the Specialty Strut Section.

AS 6024 HEX HEAD CAP SCREW



Discount Code D		Per 100 Pieces		
Part No.	Size	Std. Pkg.	Wt.	EG
AS 6024	1/4" x 3/4"	100	1.5	\$70.40
AS 6024	1/4" x 1"	100	1.8	\$70.40
AS 6024	1/4" x 1 1/4"	100	2.1	\$78.10
AS 6024	1/4" x 1 1/2"	100	2.4	\$83.60
AS 6024	3/8" x 3/4"	100	3.6	\$70.40
AS 6024	3/8" x 1"	100	4.2	\$73.70
AS 6024	3/8" x 1 1/4"	100	4.9	\$82.50
AS 6024	3/8" x 1 1/2"	100	5.6	\$106.70
AS 6024	3/8" x 2"	100	7.2	\$114.40
AS 6024	1/2" x 3/4"	100	8.1	\$107.80
AS 6024	1/2" x 1"	100	9.2	\$112.20
AS 6024	1/2" x 1 1/4"	100	10.4	\$129.80
AS 6024	1/2" x 1 1/2"	100	11.6	\$165.00
AS 6024	1/2" x 1 3/4"	100	13.0	\$309.10
AS 6024	1/2" x 2"	100	14.4	\$213.40

This item sold in full box quantities.

CHANNEL

NUTS/HARDWARE

FITTINGS

PIPE/CONDUIT SUPPORTS

KLO-SHURE®

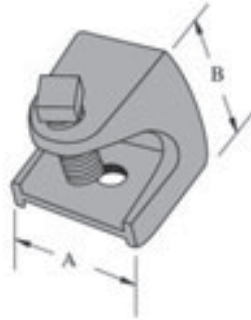
CONCRETE INSERTS

SPECIALTY STRUT

TECHNICAL DATA

SECTION 3 – FITTINGS AND ACCESSORIES

**AS 85
ROD OR
INSULATOR
SUPPORT**



Discount Code D					Per 100 Pieces		
Part No.	Rod Size	A	B	Load Rating	Std. Pkg.	Wt.	EG
AS 85	1/4"	1 1/8"	1 1/4"	150	50	23	\$613.80
AS 85	3/8"	2"	2"	350	25	95	\$1,563.10
AS 85	1/2"	2 5/8"	2 1/2"	400	25	195	\$2,521.20

This item sold in full box quantities.

**FIG. 86
CLAMP WITH
LOCK NUT**

Size Range 3/8" thru 3/4".



Part No.	For Prices, See Anvil International
Fig. 86	Pipe Hanger List Price Sheet.

**FIG. 93
TOP BEAM
"C" CLAMP**

Size Range 3/8" thru 1/2".



Part No.	For Prices, See Anvil International
Fig. 93	Pipe Hanger List Price Sheet.

**FIG. 94
TOP BEAM
"C" CLAMP**

Size Range 3/8" thru 3/4".



Part No.	For Prices, See Anvil International
Fig. 94	Pipe Hanger List Price Sheet.

**FIG. 95
CLAMP WITH
LOCK NUT**

Size Range 3/8" thru 3/4".



Part No.	For Prices, See Anvil International
Fig. 95	Pipe Hanger List Price Sheet.

LEGEND:
GR: Painted Green
EG: Electro-Galvanized

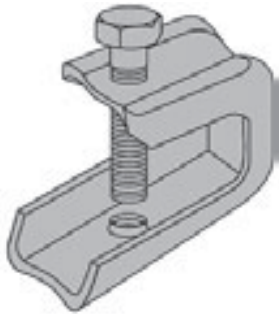
PG: Pre-Galvanized
AL: Aluminum
HG: Hot Dipped Galvanized

PL: Plain
SS: Stainless Steel
ZD: Zinc Dichromate



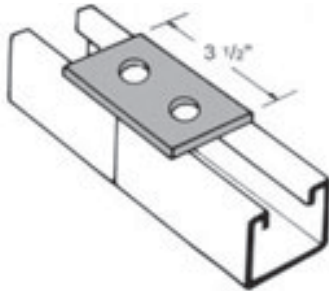
SECTION 3 – FITTINGS AND ACCESSORIES

**AS 135X
 BEAM CLAMP
 LIGHT DUTY**



Discount Code D		Per 100 Pieces			
Part No.	Size	Load Rating	Std. Pkg.	Wt.	EG
AS 135X	1/4"	75	50	14.0	\$466.40

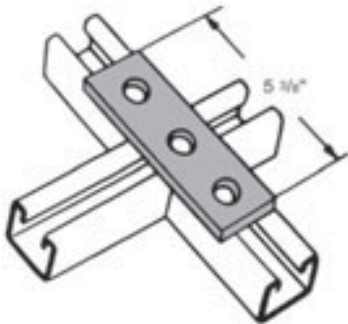
**AS 601
 TWO HOLE
 SPLICE PLATE**



Discount Code D		Per 100 Pieces		
Part No.	Std. Pkg.	Wt.	GR	EG
AS 601	50	38	\$343.20	\$343.20

This item sold in full box quantities.
 For Zinc Dichromate, refer to page 89 in the Specialty Strut Section.
 For Load Rating, see page 104.

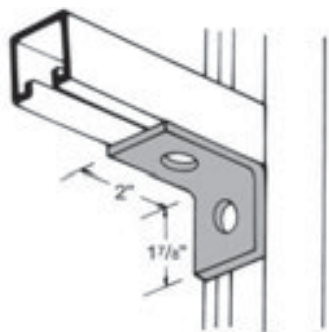
**AS 602
 THREE HOLE
 SPLICE PLATE**



Discount Code D		Per 100 Pieces		
Part No.	Std. Pkg.	Wt.	GR	EG
AS 602	25	50	\$514.80	\$514.80

This item sold in full box quantities.
 For Zinc Dichromate, refer to page 89 in the Specialty Strut Section.

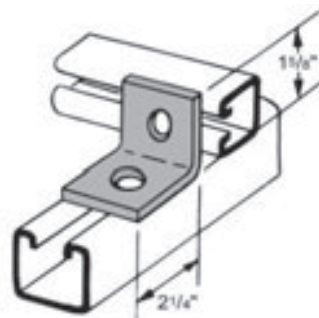
**AS 603
 TWO HOLE
 END ANGLE**



Discount Code D		Per 100 Pieces		
Part No.	Std. Pkg.	Wt.	GR	EG
AS 603	50	38	\$316.80	\$316.80

This item sold in full box quantities.
 For Zinc Dichromate, refer to page 89 in the Specialty Strut Section.
 For Load Rating, see page 104.

**AS 604
 TWO HOLE
 CORNER ANGLE**



Discount Code D		Per 100 Pieces		
Part No.	Std. Pkg.	Wt.	GR	EG
AS 604	50	38	\$336.60	\$336.60

This item sold in full box quantities.
 For Zinc Dichromate, refer to page 90 in the Specialty Strut Section.
 For Load Rating, see page 104.

CHANNEL

NUTS/HARDWARE

FITTINGS

PIPE/CONDUIT SUPPORTS

KLO-SHURE®

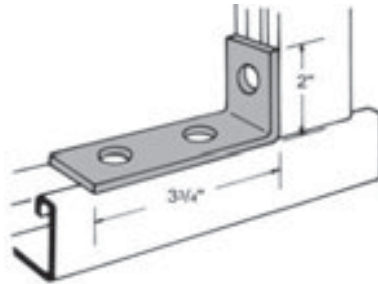
CONCRETE INSERTS

SPECIALTY STRUT

TECHNICAL DATA

SECTION 3 – FITTINGS AND ACCESSORIES

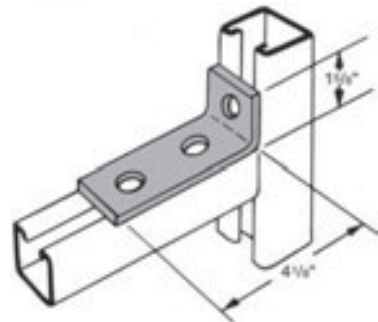
**AS 605
THREE HOLE
CORNER ANGLE**



Discount Code D		Per 100 Pieces		
Part No.	Std. Pkg.	Wt.	GR	EG
AS 605	25	58	\$462.00	\$462.00

This item sold in full box quantities.
For Zinc Dichromate, refer to page 90 in the Specialty Strut Section.
For Load Rating, see page 104.

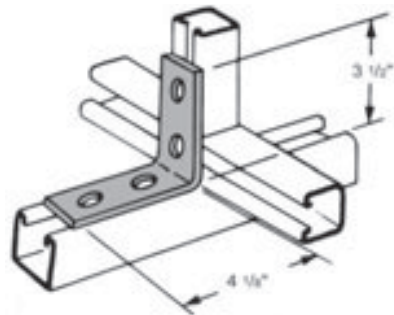
**AS 606
THREE HOLE
CORNER ANGLE**



Discount Code D		Per 100 Pieces		
Part No.	Std. Pkg.	Wt.	GR	EG
AS 606	25	58	\$463.10	\$463.10

This item sold in full box quantities.
For Zinc Dichromate, refer to page 90 in the Specialty Strut Section.
For Load Rating, see page 104.

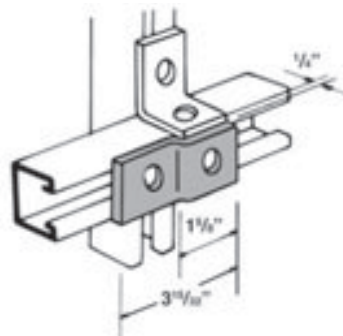
**AS 607
FOUR HOLE
CORNER ANGLE**



Discount Code D		Per 100 Pieces		
Part No.	Std. Pkg.	Wt.	GR	EG
AS 607	25	78	\$620.40	\$620.40

This item sold in full box quantities.
For Zinc Dichromate, refer to page 90 in the Specialty Strut Section.
For Load Rating, see page 104.

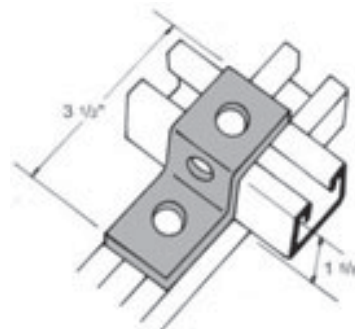
**AS 609
TWO HOLE OFFSET
"Z" SUPPORT**



Discount Code D		Per 100 Pieces		
Part No.	Std. Pkg.	Wt.	GR	EG
AS 609	25	38	\$629.20	\$629.20

**AS 611
"Z" SUPPORT**

Use With AS 200, AS 210,
and AS 500BTB.



Discount Code D		Per 100 Pieces		
Part No.	Std. Pkg.	Wt.	GR	EG
AS 611	50	55	\$636.90	\$636.90

For Zinc Dichromate, refer to page 90 in the Specialty Strut Section.

LEGEND:
GR: Painted Green
EG: Electro-Galvanized

PG: Pre-Galvanized
AL: Aluminum
HG: Hot Dipped Galvanized

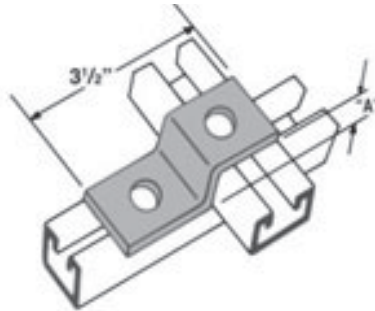
PL: Plain
SS: Stainless Steel
ZD: Zinc Dichromate



SECTION 3 – FITTINGS AND ACCESSORIES

AS 612 "Z" SUPPORT

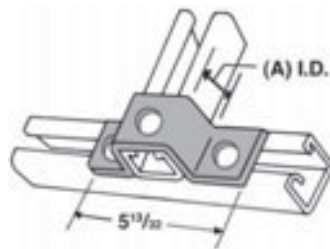
Use With AS 400.



Discount Code D		Per 100 Pieces			
Part No.	A	Std. Pkg.	Wt.	GR	EG
AS 612	1"	50	47	\$1,008.70	\$1,008.70

AS 613 "U" SUPPORT

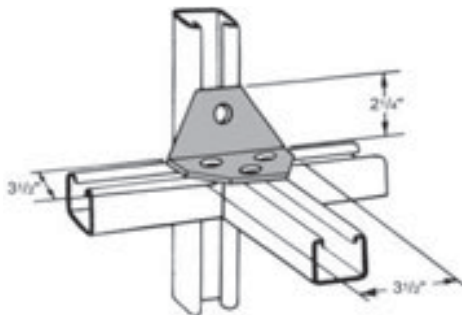
Use With AS 200, AS 210, and AS 500BTB.



Discount Code D		Per 100 Pieces			
Part No.	A	Std. Pkg.	Wt.	GR	EG
AS 613	1 5/8"	25	88	\$772.20	\$772.20

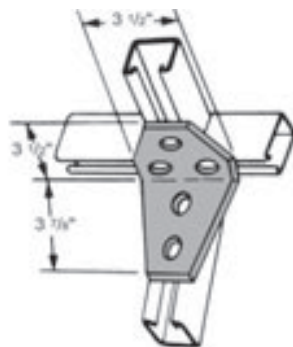
For Zinc Dichromate, refer to page 91 in the Specialty Strut Section.

AS 614 FOUR HOLE JOINT ANGLE CONNECTOR



Discount Code D		Per 100 Pieces			
Part No.	Std. Pkg.	Wt.	GR	EG	
AS 614	25	103	\$2,313.30	\$2,313.30	

AS 615 FIVE HOLE SHELF JOINT ANGLE CONNECTOR



Discount Code D		Per 100 Pieces			
Part No.	Std. Pkg.	Wt.	GR	EG	
AS 615	10	135	\$2,475.00	\$2,475.00	

AS 616 FOUR HOLE SPLICE CLEVIS

Use With AS 200 and AS 210.

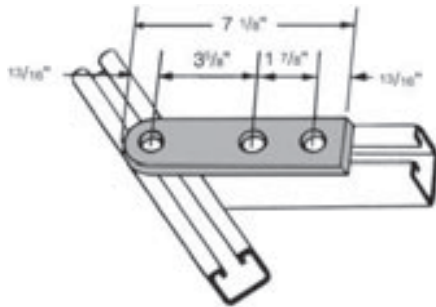


Discount Code D		Per 100 Pieces			
Part No.	Std. Pkg.	Wt.	GR	EG	
AS 616	10	265	\$2,366.10	\$2,366.10	

This item sold in full box quantities.
 For Zinc Dichromate, refer to page 91 in the Specialty Strut Section.

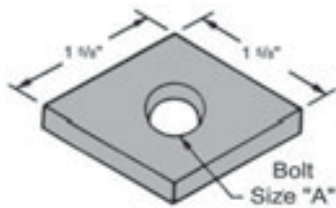
SECTION 3 – FITTINGS AND ACCESSORIES

**AS 617
THREE HOLE
SWIVEL PLATE**



Discount Code D		Per 100 Pieces		
Part No.	Std. Pkg.	Wt.	GR	EG
AS 617	25	75	\$1,580.70	\$1,580.70

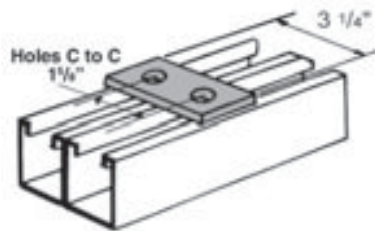
**AS 619
SQUARE
WASHER**



Discount Code A		Per 100 Pieces			
Part No.	A	Std. Pkg.	Wt.	GR	EG
AS 619	1/4"	100	18	\$188.10	\$188.10
AS 619	3/8"	100	18	\$163.90	\$163.90
AS 619	1/2"	100	17	\$163.90	\$163.90
AS 619	5/8"	100	16	\$209.00	\$209.00
AS 619	3/4"	100	15	\$288.20	\$288.20
AS 619	7/8"	100	-	POA	POA

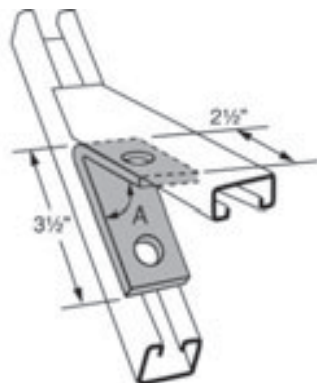
This item sold in full box quantities.
For Stainless Steel and Zinc Dichromate, refer to page 91 in the Specialty Strut Section.

**AS 620
TWO HOLE
CONNECTING
PLATE**



Discount Code D		Per 100 Pieces		
Part No.	Std. Pkg.	Wt.	GR	EG
AS 620	50	35	\$405.90	\$405.90

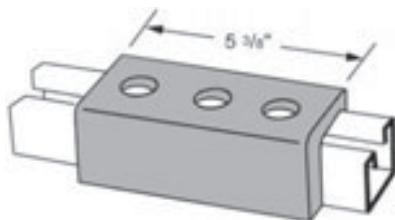
**AS 624
TWO HOLE
CLOSED ANGLE
CONNECTOR**



Discount Code D		Per 100 Pieces			
Part No.	Angle A	Std. Pkg.	Wt.	GR	EG
AS 624	37 1/2°	25	58	\$867.90	\$867.90
AS 624	45°	25	58	\$705.10	\$705.10
AS 624	52 1/2°	25	58	\$867.90	\$867.90
AS 624	60°	25	58	\$867.90	\$867.90
AS 624	67 1/2°	25	58	\$867.90	\$867.90
AS 624	75°	25	58	\$867.90	\$867.90
AS 624	82 1/2°	25	58	\$867.90	\$867.90

For Zinc Dichromate, refer to page 91 in the Specialty Strut Section.

**AS 629
THREE HOLE
SPLICE CLEVIS**
Use With AS 200, AS 210.



Discount Code D		Per 100 Pieces		
Part No.	Std. Pkg.	Wt.	GR	EG
AS 629	20	197	\$2,151.60	\$2,151.60

LEGEND:
GR: Painted Green
EG: Electro-Galvanized

PG: Pre-Galvanized
AL: Aluminum
HG: Hot Dipped Galvanized

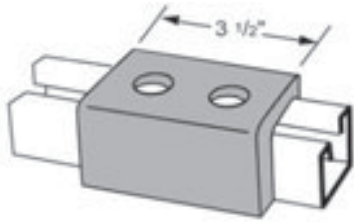
PL: Plain
SS: Stainless Steel
ZD: Zinc Dichromate



SECTION 3 – FITTINGS AND ACCESSORIES

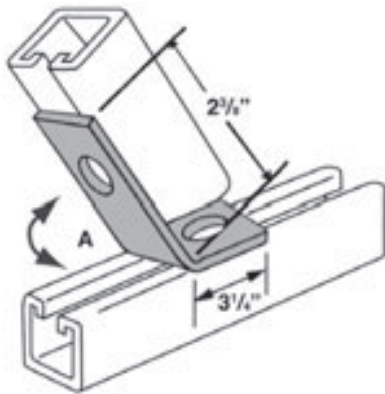
AS 631 TWO HOLE SPLICE CLEVIS

Use With AS 200,
AS 210.



Discount Code D			Per 100 Pieces	
Part No.	Std. Pkg.	Wt.	GR	EG
AS 631	25	128	\$1,595.00	\$1,595.00

AS 633 TWO HOLE OPEN ANGLE CONNECTOR

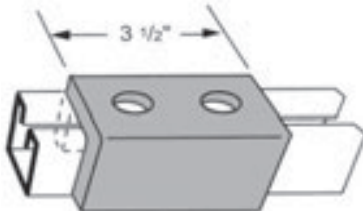


Discount Code D			Per 100 Pieces		
Part No.	Angle A	Std. Pkg.	Wt.	GR	EG
AS 633	82 1/2°	25	58	\$852.50	\$852.50
AS 633	75°	25	58	\$852.50	\$852.50
AS 633	67 1/2°	25	58	\$852.50	\$852.50
AS 633	60°	25	58	\$852.50	\$852.50
AS 633	52 1/2°	25	58	\$852.50	\$852.50
AS 633	45°	25	58	\$635.80	\$635.80
AS 633	37 1/2°	25	58	\$852.50	\$852.50
AS 633	30°	25	58	\$852.50	\$852.50
AS 633	22 1/2°	25	58	\$852.50	\$852.50
AS 633	15°	25	58	\$852.50	\$852.50
AS 633	7 1/2°	25	58	\$852.50	\$852.50

This item sold in full box quantities.
 For Zinc Dichromate, refer to page 91 in the Specialty Strut Section.

AS 644 TWO HOLE SPLICE CLEVIS

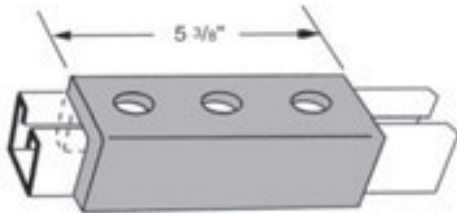
Use With AS 500,
AS 520.



Discount Code D			Per 100 Pieces	
Part No.	Std. Pkg.	Wt.	GR	EG
AS 644	20	85	\$1,173.70	\$1,173.70

AS 645 THREE HOLE SPLICE CLEVIS

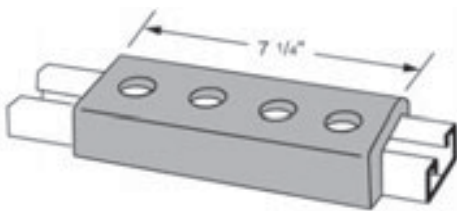
Use With AS 500,
AS 520.



Discount Code D			Per 100 Pieces	
Part No.	Std. Pkg.	Wt.	GR	EG
AS 645	10	130	\$1,658.80	\$1,658.80

AS 646 FOUR HOLE SPLICE CLEVIS

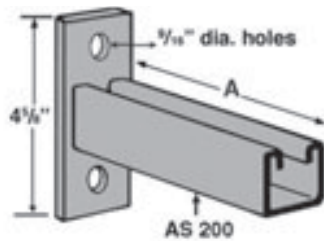
Use With AS 500.



Discount Code D			Per 100 Pieces	
Part No.	Std. Pkg.	Wt.	GR	EG
AS 646	10	176	\$2,053.70	\$2,053.70

SECTION 3 – FITTINGS AND ACCESSORIES

AS 651 REVERSIBLE STRUT BRACKET



Discount Code D		Per 100 Pieces				
Part No.	A	*Uniform Load	Std. Pkg.	Wt.	GR	EG
AS 651	6"	1200	Bulk	185	\$3,378.10	\$3,378.10
AS 651	12"	600	Bulk	293	\$3,872.00	\$3,872.00
AS 651	18"	400	Bulk	401	\$4,293.30	\$4,293.30
AS 651	24"	300	Bulk	509	\$5,661.70	\$5,661.70

This item sold in full box quantities.
For Zinc Dichromate, refer to page 92 in the Specialty Strut Section.
* Mounted On 12 Ga. Channel.

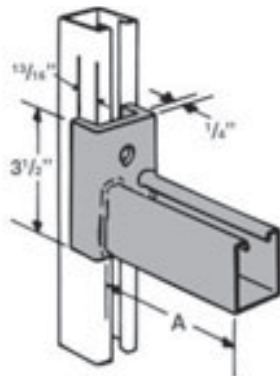
AS 655, AS 656 TYPE "A" END CAP

Use With AS 200 Channel.
Use With AS 300 Channel and AS 349 Insert.



Discount Code D		Per 100 Pieces		
Part No.	Std. Pkg.	Wt.	PG	
AS 655	100	11	\$127.60	
AS 656	100	15	\$132.00	

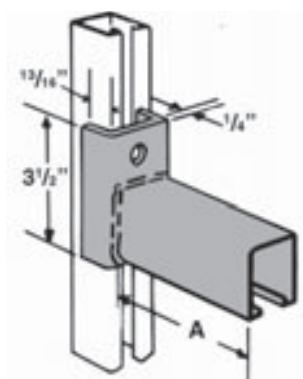
AS 661 T1 STRUT BRACKET (SLOT UP)



Discount Code D		Per 100 Pieces				
Part No.	A	*Uniform Load	Std. Pkg.	Wt.	GR	
AS 661 T1	6"	1600	Bulk	191	\$3,333.00	
AS 661 T1	12"	800	Bulk	292	\$4,119.50	
AS 661 T1	18"	600	Bulk	436	\$5,134.80	
AS 661 T1	24"	450	Bulk	536	\$6,161.10	

* Mounted On 12 Ga. Channel.

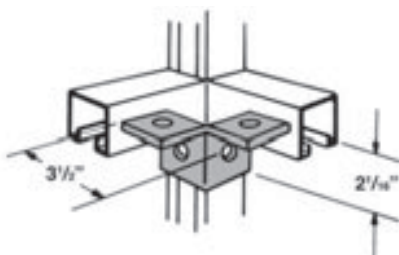
AS 661 T2 STRUT BRACKET (SLOT DOWN)



Discount Code D		Per 100 Pieces				
Part No.	A	*Uniform Load	Std. Pkg.	Wt.	GR	
AS 661 T2	6"	1600	Bulk	191	\$3,333.00	
AS 661 T2	12"	800	Bulk	292	\$4,119.50	
AS 661 T2	18"	600	Bulk	436	\$5,134.80	
AS 661 T2	24"	450	Bulk	536	\$6,161.10	

* Mounted On 12 Ga. Channel.

AS 665 FOUR HOLE DOUBLE CORNER CONNECTOR



Discount Code D		Per 100 Pieces				
Part No.	Std. Pkg.	Wt.	GR	EG		
AS 665	25	76	\$1,391.50	\$1,391.50		

For Zinc Dichromate, refer to page 92 in the Specialty Strut Section.

LEGEND:
GR: Painted Green
EG: Electro-Galvanized

PG: Pre-Galvanized
AL: Aluminum
HG: Hot Dipped Galvanized

PL: Plain
SS: Stainless Steel
ZD: Zinc Dichromate



CHANNEL
NUTS/HARDWARE

FITTINGS

PIPE/CONDUIT SUPPORTS

KLO-SHURE®

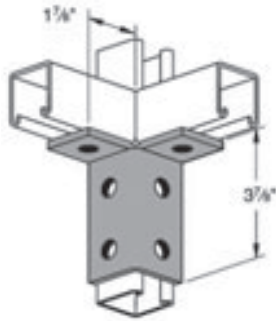
CONCRETE INSERTS

SPECIALTY STRUT

TECHNICAL DATA

SECTION 3 – FITTINGS AND ACCESSORIES

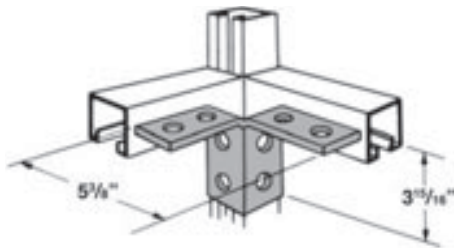
AS 666
SIX HOLE
DOUBLE
CORNER
CONNECTOR



Discount Code D		Per 100 Pieces		
Part No.	Std. Pkg.	Wt.	GR	EG
AS 666	25	115	\$1,808.40	\$1,808.40

For Zinc Dichromate, refer to page 92 in the Specialty Strut Section.

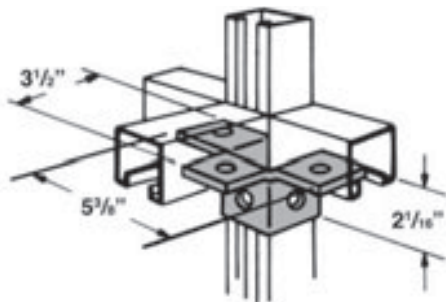
AS 667
EIGHT HOLE
DOUBLE
CORNER
CONNECTOR



Discount Code D		Per 100 Pieces		
Part No.	Std. Pkg.	Wt.	GR	EG
AS 667	10	155	\$2,552.00	\$2,552.00

For Zinc Dichromate, refer to page 92 in the Specialty Strut Section.

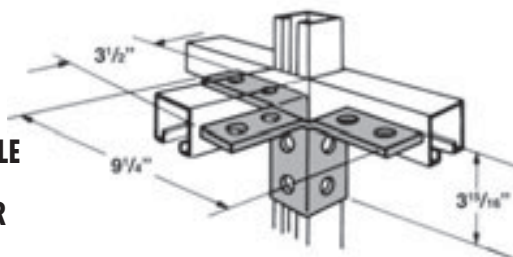
AS 668
SIX HOLE
THREE ANGLE
CONNECTOR



Discount Code D		Per 100 Pieces		
Part No.	Std. Pkg.	Wt.	GR	EG
AS 668	10	113	\$2,231.90	\$2,231.90

For Zinc Dichromate, refer to page 92 in the Specialty Strut Section.

AS 669
TWELVE
HOLE
THREE ANGLE
CLEVIS
CONNECTOR

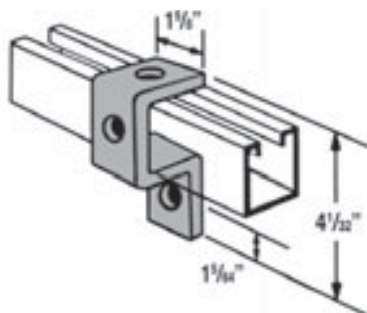


Discount Code D		Per 100 Pieces		
Part No.	Std. Pkg.	Wt.	GR	EG
AS 669	10	230	\$3,961.10	\$3,961.10

For Zinc Dichromate, refer to page 93 in the Specialty Strut Section.

AS 677
CUP SUPPORT
FOR STANDARD
SINGLE STRUT

Use With AS 200 and AS 210.

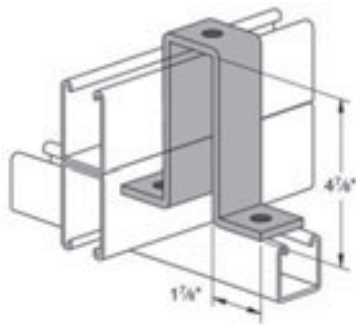


Discount Code D		Per 100 Pieces		
Part No.	Std. Pkg.	Wt.	GR	EG
AS 677	25	76	\$1,230.90	\$1,230.90

SECTION 3 – FITTINGS AND ACCESSORIES

AS 678 THREE HOLE "U" SUPPORT

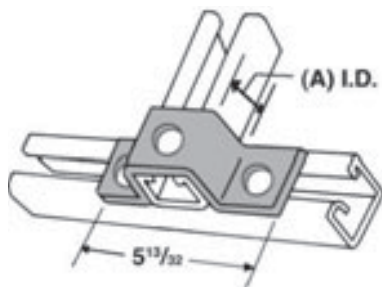
Use With AS 150 BTB.



Discount Code D		Per 100 Pieces		
Part No.	Std. Pkg.	Wt.	GR	EG
AS 678	10	197	\$2,721.40	\$2,721.40

AS 679 "U" SUPPORT

Use For AS 100,
AS 200BTB, AS 210BTB.

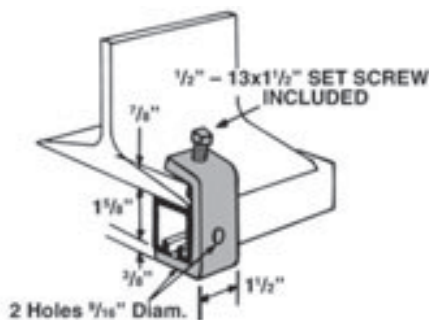


Discount Code D		Per 100 Pieces			
Part No.	A	Std. Pkg.	Wt.	GR	EG
AS 679	3 1/4"	25	128	\$1,855.70	\$1,855.70

For Zinc Dichromate, refer to page 93 in the Specialty Strut Section.

AS 684 BEAM CLAMP

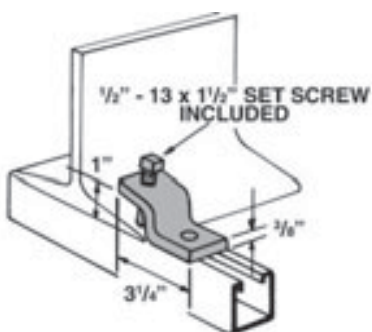
Includes Cup Point
Set Screw.



Discount Code D		Per 100 Pieces			
Part No.	Load Rating	Std. Pkg.	Wt.	GR	EG
AS 684	500	25	94	\$1,721.50	\$1,721.50

AS 685 BEAM CLAMP

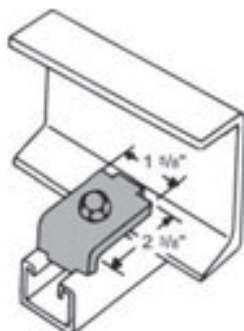
Includes Cup Point Set Screw.



Discount Code D		Per 100 Pieces			
Part No.	Load Rating	Std. Pkg.	Wt.	GR	EG
AS 685	450	20	63	\$1,687.40	\$1,687.40

AS 686 BEAM CLAMP

Order AS 6024 1/2" x
1 1/2" Separately.



Discount Code D		Per 100 Pieces			
Part No.	*Load Rating	Std. Pkg.	Wt.	GR	EG
AS 686	600	50	26	\$471.90	\$471.90

This item sold in full box quantities.

* Load Rating When Used with 12 Ga. Channel. 14 Ga. Channel is 500 lbs.

LEGEND:
GR: Painted Green
EG: Electro-Galvanized

PG: Pre-Galvanized
AL: Aluminum
HG: Hot Dipped Galvanized

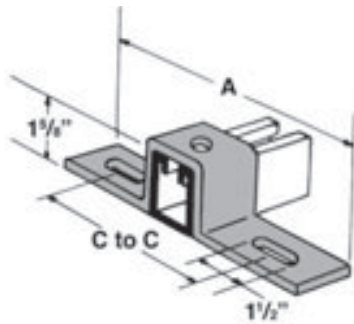
PL: Plain
SS: Stainless Steel
ZD: Zinc Dichromate



SECTION 3 – FITTINGS AND ACCESSORIES

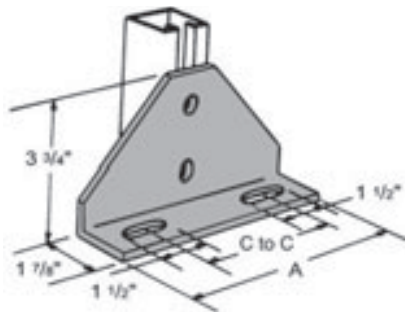
AS 687 SLOTTED "U" SUPPORT

Use With AS 200 and AS 210.



Discount Code D		Per 100 Pieces				
Part No.	A	C to C	Std. Pkg.	Wt.	GR	EG
AS 687 A	7 1/4"	4 1/8"	10	105	\$1,932.70	\$1,932.70
AS 687 B	8 1/2"	5 3/8"	10	120	\$2,162.60	\$2,162.60
AS 687 C	10 3/8"	7 1/4"	10	130	\$2,334.20	\$2,334.20

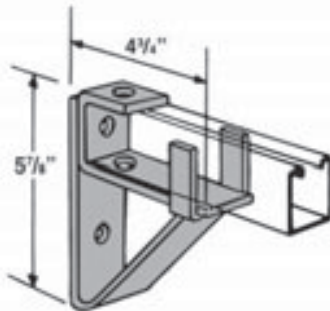
AS 689 ADJUSTABLE DOUBLE SLOTTED CORNER CONNECTOR



Discount Code D		Per 100 Pieces				
Part No.	A	C to C	Std. Pkg.	Wt.	GR	EG
AS 689 A	6 5/8"	4"	10	190	\$2,312.20	\$2,312.20
AS 689 B	8 5/8"	6"	10	242	\$3,456.20	\$3,456.20

AS 708 SINGLE CHANNEL BRACKET SUPPORT

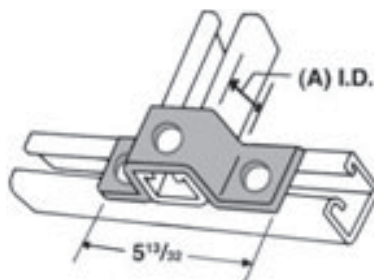
Use With AS 200,
AS 210 and AS 500 BTB.



Discount Code D		Per 100 Pieces			
Part No.	Std. Pkg.	Wt.	GR	EG	
AS 708	20	235	\$6,114.90	\$6,114.90	

AS 710 "U" SUPPORT

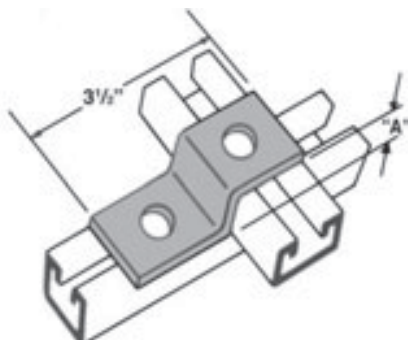
Use With AS 300.



Discount Code D		Per 100 Pieces			
Part No.	A	Std. Pkg.	Wt.	GR	EG
AS 710	1 3/8"	25	84	\$1,469.60	\$1,469.60

AS 711 "Z" SUPPORT

Use With AS 300.



Discount Code D		Per 100 Pieces			
Part No.	A	Std. Pkg.	Wt.	GR	EG
AS 711	1 3/8"	25	53	\$1,128.60	\$1,128.60

CHANNEL

NUTS/HARDWARE

FITTINGS

PIPE/CONDUIT SUPPORTS

KLO-SHURE®

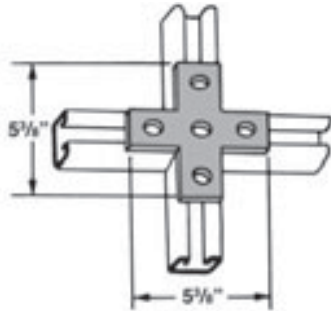
CONCRETE INSERTS

SPECIALTY STRUT

TECHNICAL DATA

SECTION 3 – FITTINGS AND ACCESSORIES

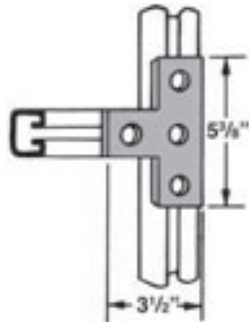
**AS 712
CROSS PLATE**



Discount Code D			Per 100 Pieces	
Part No.	Std. Pkg.	Wt.	GR	EG
AS 712	10	105	\$1,917.30	\$1,917.30

For Zinc Dichromate, refer to page 93 in the Specialty Strut Section.

**AS 714
"T" PLATE**

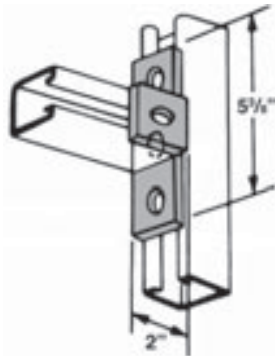


Discount Code D			Per 100 Pieces	
Part No.	Std. Pkg.	Wt.	GR	EG
AS 714	25	80	\$1,059.30	\$1,059.30

This item sold in full box quantities.

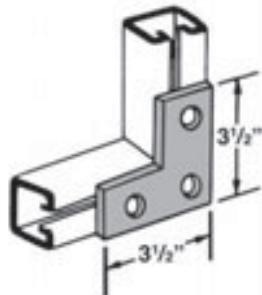
For Zinc Dichromate, refer to page 93 in the Specialty Strut Section.

**AS 715
"T" PLATE
90° ANGLE**



Discount Code D			Per 100 Pieces	
Part No.	Std. Pkg.	Wt.	GR	EG
AS 715	20	71	\$1,491.60	\$1,491.60

**AS 718
FLAT
ANGLE PLATE**

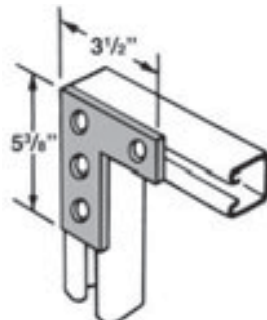


Discount Code D			Per 100 Pieces	
Part No.	Std. Pkg.	Wt.	GR	EG
AS 718	50	58	\$712.80	\$712.80

This item sold in full box quantities.

For Zinc Dichromate, refer to page 93 in the Specialty Strut Section.

**AS 719
FOUR HOLE
CORNER PLATE**



Discount Code D			Per 100 Pieces	
Part No.	Std. Pkg.	Wt.	GR	EG
AS 719	20	80	\$1,329.90	\$1,329.90

LEGEND:
GR: Painted Green
EG: Electro-Galvanized

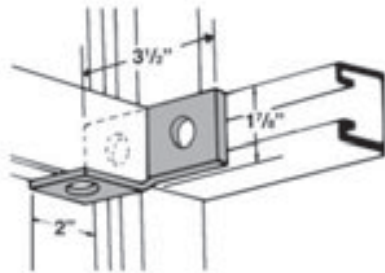
PG: Pre-Galvanized
AL: Aluminum
HG: Hot Dipped Galvanized

PL: Plain
SS: Stainless Steel
ZD: Zinc Dichromate



SECTION 3 – FITTINGS AND ACCESSORIES

**AS 720
 RH & LH
 ANGLE PLATE
 CONNECTOR**

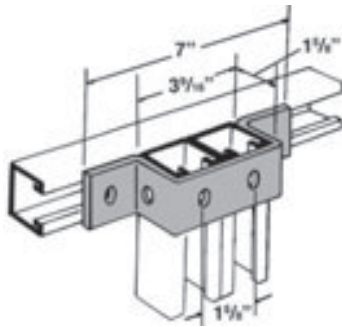


Discount Code D			Per 100 Pieces	
Part No.	Std. Pkg.	Wt.	GR	EG
AS 720 RH	25	55	\$1,334.30	\$1,334.30
AS 720 LH	25	55	\$1,334.30	\$1,334.30

For Zinc Dichromate, refer to page 94 in the Specialty Strut Section.
 When Ordering, Specify RH or LH.

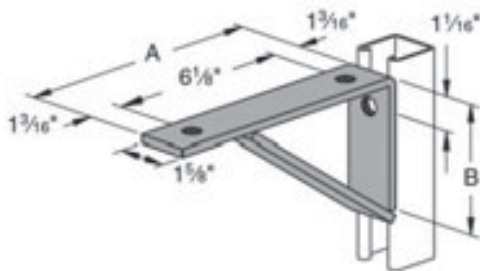
**AS 721
 "U" SUPPORT**

Use With AS 100, AS 200BTB,
 and AS 210BTB.



Discount Code D			Per 100 Pieces	
Part No.	Std. Pkg.	Wt.	GR	EG
AS 721	25	105	\$2,491.50	\$2,491.50

**AS 732
 SHELF
 BRACKET**

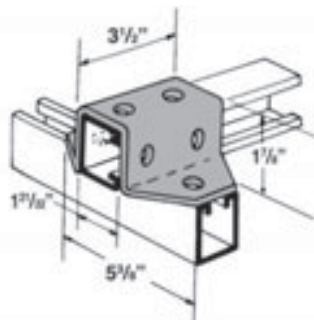


Discount Code D			Per 100 Pieces			
Part No.	A	B	*Uniform Load	Std.	Wt.	GR
				Pkg.		
AS 732	8"	6"	800	Bulk	168	\$3,811.50
AS 732	10"	6"	800	Bulk	202	\$4,067.80
AS 732	12"	6"	900	Bulk	258	\$4,279.00
AS 732	14"	6"	900	Bulk	292	\$7,137.90
AS 732	16"	6"	1200	Bulk	381	\$10,055.10
AS 732	18"	6"	1200	Bulk	416	\$10,542.40
AS 732	20"	6"	1000	Bulk	461	\$11,029.70

* Mounted On 12 Ga. Channel.

**AS 733
 SIX HOLE
 "U" SUPPORT**

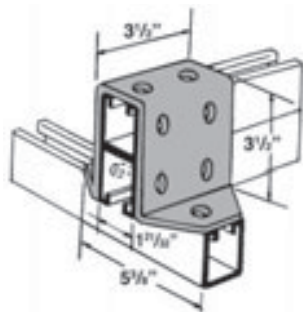
Use With AS 200
 and AS 210.



Discount Code D			Per 100 Pieces	
Part No.	Std. Pkg.	Wt.	GR	EG
AS 733	10	171	\$3,796.10	\$3,796.10

**AS 735
 EIGHT HOLE
 "U" SUPPORT**

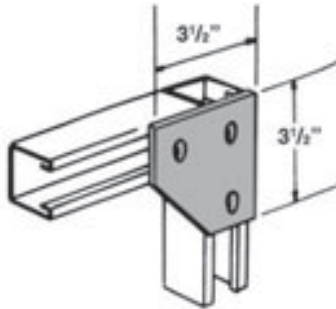
Use With AS 200 BTB.



Discount Code D			Per 100 Pieces	
Part No.	Std. Pkg.	Wt.	GR	EG
AS 735	10	257	\$4,352.70	\$4,352.70

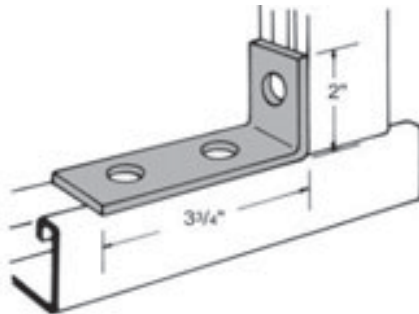
SECTION 3 – FITTINGS AND ACCESSORIES

**AS 744
FLAT CORNER
CONNECTOR**



Discount Code D			Per 100 Pieces	
Part No.	Std. Pkg.	Wt.	GR	EG
AS 744	25	70	\$1,141.80	\$1,141.80

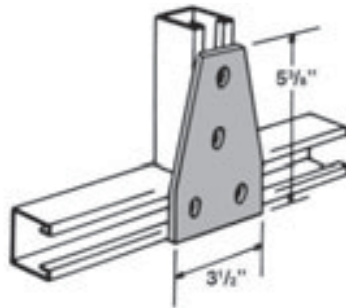
**AS 745
THREE HOLE
CORNER ANGLE**



Discount Code D			Per 100 Pieces	
Part No.	Std. Pkg.	Wt.	GR	EG
AS 745	25	58	\$520.30	\$520.30

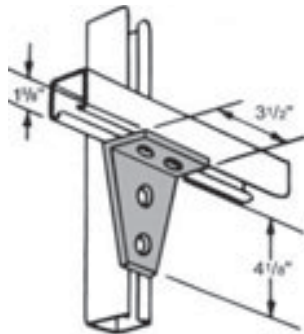
For Load Rating, see page 104.

**AS 747
SYMMETRICAL
FOUR HOLE
CONNECTOR**



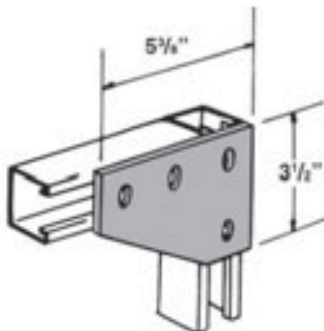
Discount Code D			Per 100 Pieces	
Part No.	Std. Pkg.	Wt.	GR	EG
AS 747	20	105	\$1,817.20	\$1,817.20

**AS 748
FOUR HOLE
CORNER JOINT
CONNECTOR**



Discount Code D			Per 100 Pieces	
Part No.	Std. Pkg.	Wt.	GR	EG
AS 748	25	105	\$1,986.60	\$1,986.60

**AS 750
FOUR HOLE
CORNER
CONNECTOR**



Discount Code D			Per 100 Pieces	
Part No.	Std. Pkg.	Wt.	GR	EG
AS 750	20	105	\$1,477.30	\$1,477.30

LEGEND:
GR: Painted Green
EG: Electro-Galvanized

PG: Pre-Galvanized
AL: Aluminum
HG: Hot Dipped Galvanized

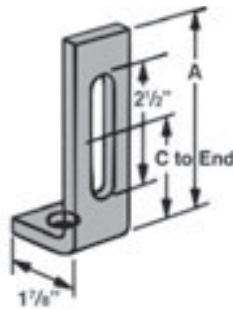
PL: Plain
SS: Stainless Steel
ZD: Zinc Dichromate



CHANNEL
 NUTS/HARDWARE
 FITTINGS
 PIPE/CONDUIT SUPPORTS
 KLO-SHURE®
 CONCRETE INSERTS
 SPECIALTY STRUT
 TECHNICAL DATA

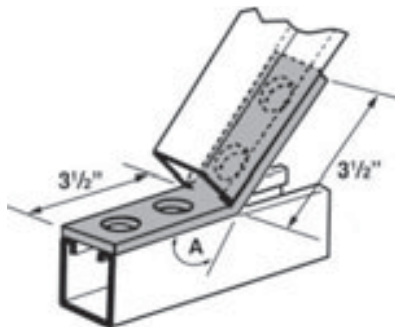
SECTION 3 – FITTINGS AND ACCESSORIES

**AS 763, AS 764
 SLOTTED
 ADJUSTMENT
 CORNER ANGLE**



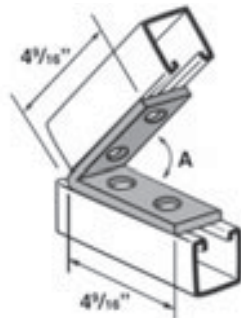
Discount Code D		Per 100 Pieces				
Part No.	A	C to End	Std. Pkg.	Wt.	GR	EG
AS 763	4 7/8"	2 1/2"	25	65	\$1,063.70	\$1,063.70
AS 764	6 7/8"	4 1/2"	25	65	\$1,428.90	\$1,428.90

**AS 781
 FOUR HOLE
 OPEN ANGLE
 CONNECTOR**



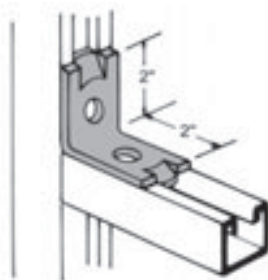
Discount Code D		Per 100 Pieces				
Part No.	Angle A	Std. Pkg.	Wt.	GR	EG	
AS 781	7 1/2°	25	78	\$1,147.30	\$1,147.30	
AS 781	15°	25	78	\$1,147.30	\$1,147.30	
AS 781	22 1/2°	25	78	\$1,147.30	\$1,147.30	
AS 781	30°	25	78	\$1,147.30	\$1,147.30	
AS 781	37 1/2°	25	78	\$1,147.30	\$1,147.30	
AS 781	45°	25	78	\$1,125.30	\$1,125.30	
AS 781	52 1/2°	25	78	\$1,147.30	\$1,147.30	
AS 781	60°	25	78	\$1,147.30	\$1,147.30	
AS 781	67 1/2°	25	78	\$1,147.30	\$1,147.30	
AS 781	75°	25	78	\$1,147.30	\$1,147.30	
AS 781	82 1/2°	25	78	\$1,147.30	\$1,147.30	

**AS 793
 FOUR HOLE
 CLOSED ANGLE
 CONNECTOR**



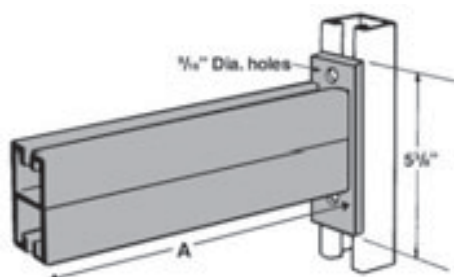
Discount Code D		Per 100 Pieces				
Part No.	Angle A	Std. Pkg.	Wt.	GR	EG	
AS 793	37 1/2°	25	100	\$1,879.90	\$1,879.90	
AS 793	45°	25	100	\$1,541.10	\$1,541.10	
AS 793	52 1/2°	25	100	\$1,879.90	\$1,879.90	
AS 793	60°	25	100	\$1,879.90	\$1,879.90	
AS 793	67 1/2°	25	100	\$1,879.90	\$1,879.90	
AS 793	75°	25	100	\$1,879.90	\$1,879.90	
AS 793	82 1/2°	25	100	\$1,879.90	\$1,879.90	

**AS 806
 TWO HOLE
 ANGLE WITH
 IMPRESSIONS
 ON BOTH LEGS**



Discount Code D		Per 100 Pieces			
Part No.	Std. Pkg.	Wt.	GR	EG	
AS 806	50	40	\$484.00	\$484.00	

**AS 809
 DOUBLE
 CHANNEL
 BRACKET**

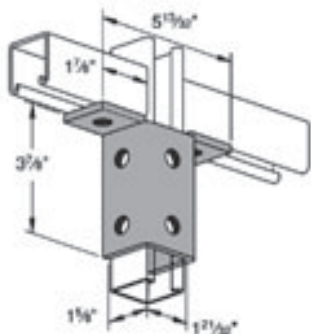


Discount Code D		Per 100 Pieces				
Part No.	A	*Uniform Load	Std. Pkg.	Wt.	GR	EG
AS 809	12"	2000	Bulk	502	\$7,852.90	\$7,852.90
AS 809	18"	1300	Bulk	692	\$9,339.00	\$9,339.00
AS 809	24"	1000	Bulk	882	\$10,982.40	\$10,982.40
AS 809	30"	800	Bulk	1,072	\$12,499.30	\$12,499.30
AS 809	36"	650	Bulk	1,262	\$14,526.60	\$14,526.60

* Mounted on 12 Ga. Channel.

SECTION 3 – FITTINGS AND ACCESSORIES

**AS 821
EIGHT HOLE
DOUBLE ANGLE
CONNECTOR**

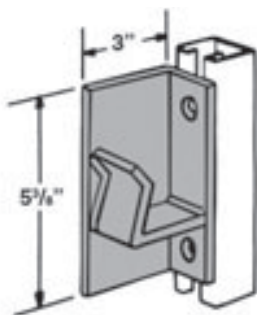


Discount Code D			Per 100 Pieces		
Part No.	Std. Pkg.	Wt.	GR	EG	
AS 821	10	150	\$2,612.50	\$2,612.50	

For Zinc Dichromate, refer to page 94 in the Specialty Strut Section.

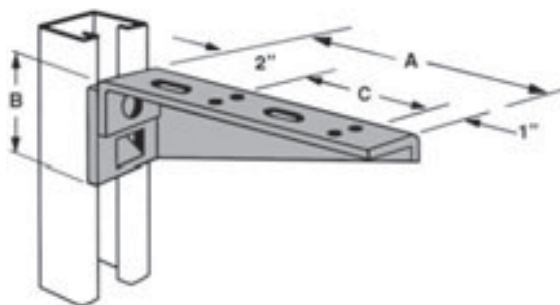
**AS 825 RH/LH
PIPE AXLE
SUPPORT**

Specify RH or LH (1 1/2" Max. Pipe).



Discount Code D			Per 100 Pieces		
Part No.	*Load Rating	Std. Pkg.	Wt.	GR	EG
AS 825 RH	2500	10	220	\$3,565.10	\$3,565.10
AS 825 LH	2500	10	220	\$3,565.10	\$3,565.10

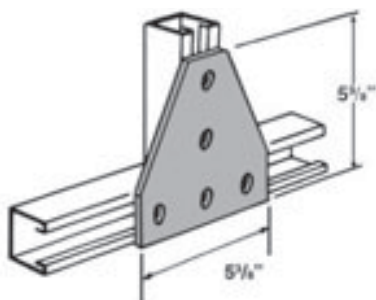
**AS 838 RH/LH 6" THRU 30"
SHELF BRACKET**



Discount Code D			Per 100 Pieces				
Part No.	A	B	C	Std. Pkg.	Wt.	GR	EG
AS 838 RH/LH	6"	2 15/16"	3"	25	58	\$1,459.70	\$1,459.70
AS 838 RH/LH	8"	2 15/16"	5"	25	83	\$1,619.20	\$1,619.20
AS 838 RH/LH	10"	2 15/16"	7"	25	114	\$1,703.90	\$1,703.90
AS 838 RH/LH	12"	3 7/16"	3"	25	149	\$2,281.40	\$2,281.40
AS 838 RH/LH	14"	3 15/16"	4"	25	174	\$2,741.20	\$2,741.20
AS 838 RH/LH	16"	4 7/16"	5"	20	225	\$3,091.00	\$3,091.00
AS 838 RH/LH	18"	4 15/16"	6"	20	255	\$3,779.60	\$3,779.60
AS 838 RH/LH	20"	5 7/16"	7"	20	295	\$4,530.90	\$4,530.90
AS 838 RH/LH	22"	5 15/16"	8"	Bulk	361	\$5,339.40	\$5,339.40
AS 838 RH/LH	24"	6 7/16"	5"	Bulk	396	\$5,701.30	\$5,701.30
AS 838 RH/LH	26"	6 15/16"	5 1/16"	Bulk	456	\$6,033.50	\$6,033.50
AS 838 RH/LH	28"	7 7/16"	6 5/16"	Bulk	479	\$6,408.60	\$6,408.60
AS 838 RH/LH	30"	7 15/16"	7"	Bulk	544	\$6,810.10	\$6,810.10

Uniform Load Rating 275 lbs. When Mounted on 12 Ga. Channel.

**AS 854
FLAT
CONNECTOR**



Discount Code D			Per 100 Pieces		
Part No.	Std. Pkg.	Wt.	GR	EG	
AS 854	25	148	\$2,681.80	\$2,681.80	

LEGEND:
GR: Painted Green
EG: Electro-Galvanized

PG: Pre-Galvanized
AL: Aluminum
HG: Hot Dipped Galvanized

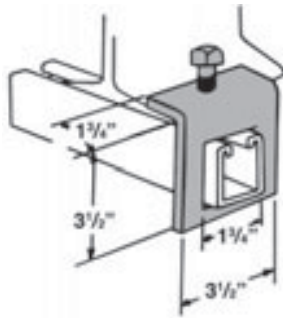
PL: Plain
SS: Stainless Steel
ZD: Zinc Dichromate



SECTION 3 – FITTINGS AND ACCESSORIES

AS 855 ANGULAR "I" BEAM CLAMP

AS 855 1 — Use With AS 200,
AS 210.
AS 855 2 — Use With AS 500.

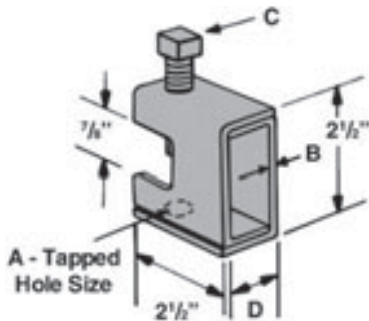


Discount Code D		Per 100 Pieces			
Part No.	Load Rating	Std. Pkg.	Wt.	GR	EG
AS 855 1	500	25	107	\$1,125.30	\$1,125.30
AS 855 2	500	25	98	\$1,365.10	\$1,365.10

This item sold in full box quantities.

AS 858 HEAVY DUTY SUSPENSION ROD BEAM CLAMPS

Includes Set Screw.
(Safety Anchor Strap AS 871 To
Be Ordered Separately According
To Length Required.)

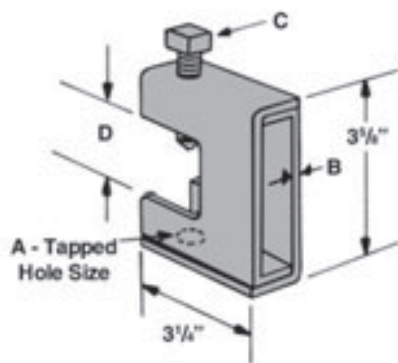


Discount Code D		Per 100 Pieces			
Part No.	A	Std. Pkg.	Wt.	EG	
AS 858	1/4" x 20	10	67	\$2,225.30	
AS 858	5/16" x 18	10	67	\$2,465.10	
AS 858	3/8" x 16	10	100	\$2,354.00	
AS 858	1/2" x 13	10	130	\$2,601.50	
AS 858	5/8" x 11	10	160	\$4,056.80	
AS 858	3/4" x 10	10	160	\$4,922.50	

B	C	D	Load Rating
1/8"	3/8" x 1 1/2"	7/8"	650
1/8"	3/8" x 1 1/2"	7/8"	650
3/16"	1/2" x 1 1/2"	1 5/16"	1100
1/4"	1/2" x 1 1/2"	1 5/16"	1600
5/16"	5/8" x 1 1/2"	1 15/16"	2400
5/16"	5/8" x 1 1/2"	1 15/16"	2400

AS 865 WIDE THROAT HEAVY DUTY BEAM CLAMP

Includes Set Screw.
(Safety Anchor Strap AS 871 To
Be Ordered Separately According
To Length Required.)

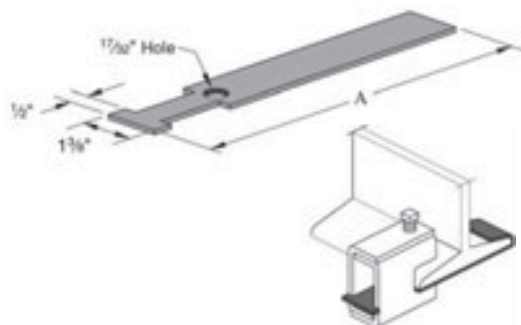


Discount Code D		Per 100 Pieces			
Part No.	A	Std. Pkg.	Wt.	EG	
AS 865	1/4" x 20	10	151	\$4,196.50	
AS 865	3/8" x 16	10	195	\$3,998.50	
AS 865	1/2" x 13	10	225	\$8,138.90	

B	C	D	Load Rating
3/16"	1/2" x 2"	1 11/16"	800
1/4"	1/2" x 2"	1 11/16"	1300
5/16"	5/8" x 2"	1 11/16"	1900

AS 871 SAFETY ANCHOR STRAP

(For Heavy Duty
Beam Clamps.)
Use with AS 858,
AS 865 (Cannot
Be Used With
5/8" Rod Size
Beam Clamps
and Larger).



Discount Code D		Per 100 Pieces			
Part No.	A	Std. Pkg.	Wt.	EG	
AS 871	9"	Bulk	33	\$567.60	
AS 871	12"	Bulk	48	\$586.30	
AS 871	15"	Bulk	57	\$641.30	

CHANNEL

NUTS/HARDWARE

FITTINGS

PIPE/CONDUIT SUPPORTS

KLO-SHURE®

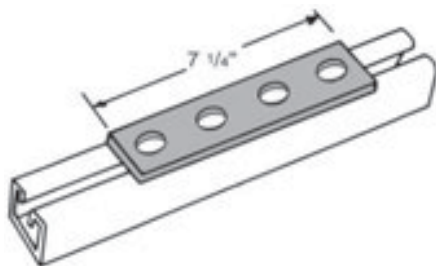
CONCRETE INSERTS

SPECIALTY STRUT

TECHNICAL DATA

SECTION 3 – FITTINGS AND ACCESSORIES

**AS 888
FOUR HOLE
SPLICE PLATE**



Discount Code D		Per 100 Pieces		
Part No.	Std. Pkg.	Wt.	GR	EG
AS 888	25	78	\$678.70	\$678.70

This item sold in full box quantities.
For Zinc Dichromate, refer to page 94 in the Specialty Strut Section.

**AS 901, AS 902
TYPE "A" END CAP**

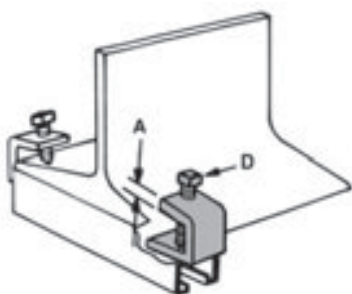
Use With AS 100, AS 400 Channel.



Discount Code D		Per 100 Pieces		
Part No.	A	Std. Pkg.	Wt.	PG
AS 901	1"	Bulk	11	\$143.00
AS 902	3/4"	Bulk	22	\$807.40

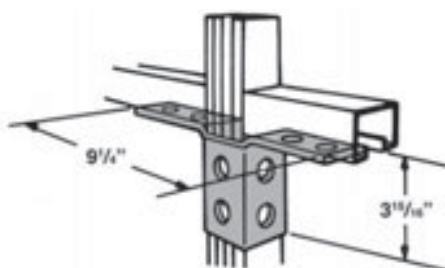
**AS 907
"I" BEAM
CLAMP**

Includes Cup Point Set Screw.



Discount Code D		Per 100 Pieces					
Part No.	A	D	Load Rating	Std. Pkg.	Wt.	GR	EG
AS 907	1/4"	3/8"	500	50	26	\$1,291.40	\$1,291.40

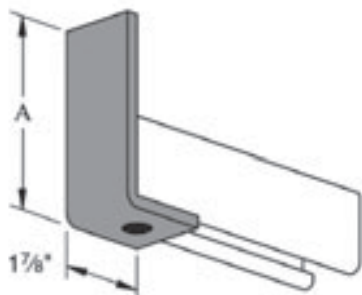
**AS 913
TEN HOLE
TWO ANGLE
CLEVIS
CONNECTOR**



Discount Code D		Per 100 Pieces		
Part No.	Std. Pkg.	Wt.	GR	EG
AS 913	10	193	\$4,508.90	\$4,508.90

For Zinc Dichromate, refer to page 94 in the Specialty Strut Section.

**AS 921
ONE HOLE ANGLE**



Discount Code D		Per 100 Pieces			
Part No.	A	Std. Pkg.	Wt.	GR	EG
AS 921 A	3 7/8"	25	61	\$871.20	\$871.20
AS 921 B	5 7/8"	25	84	\$1,084.60	\$1,084.60
AS 921 C	7 7/8"	25	107	\$1,342.00	\$1,342.00
AS 921 D	9 7/8"	25	130	\$1,580.70	\$1,580.70

LEGEND:
GR: Painted Green
EG: Electro-Galvanized

PG: Pre-Galvanized
AL: Aluminum
HG: Hot Dipped Galvanized

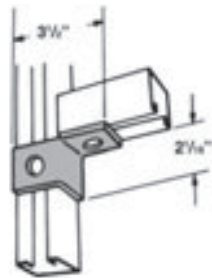
PL: Plain
SS: Stainless Steel
ZD: Zinc Dichromate



CHANNEL
 NUTS/HARDWARE
 FITTINGS
 PIPE/CONDUIT SUPPORTS
 KLO-SHURE®
 CONCRETE INSERTS
 SPECIALTY STRUT
 TECHNICAL DATA

SECTION 3 – FITTINGS AND ACCESSORIES

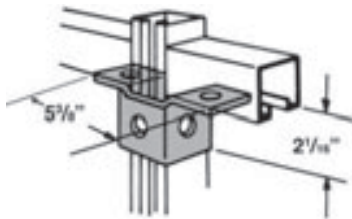
**AS 922 RH & LH
 TWO HOLE
 SINGLE CORNER
 ANGLE CONNECTOR**



Discount Code D			Per 100 Pieces	
Part No.	Std. Pkg.	Wt.	GR	EG
AS 922 RH	20	60	\$1,724.80	\$1,724.80
AS 922 LH	20	60	\$1,724.80	\$1,724.80

For Zinc Dichromate, refer to page 95 in the Specialty Strut Section.
 When Ordering, Specify RH or LH.

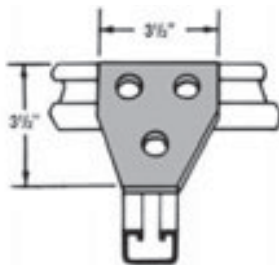
**AS 923
 FIVE HOLE
 TWO ANGLE
 CONNECTOR**



Discount Code D			Per 100 Pieces	
Part No.	Std. Pkg.	Wt.	GR	EG
AS 923	25	93	\$2,272.60	\$2,272.60

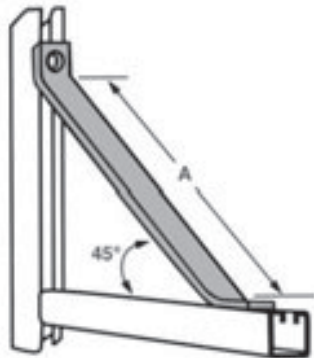
For Zinc Dichromate, refer to page 95 in the Specialty Strut Section.

**AS 925
 SYMMETRICAL
 THREE HOLE
 JOINT CONNECTOR**



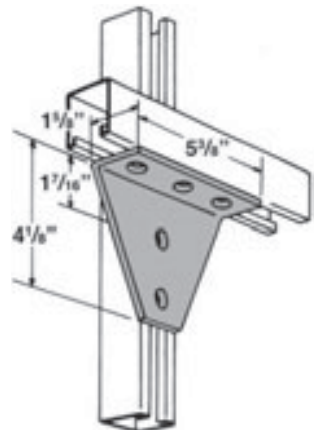
Discount Code D			Per 100 Pieces	
Part No.	Std. Pkg.	Wt.	GR	EG
AS 925	25	70	\$1,404.70	\$1,404.70

**AS 926
 STRUT BRACE**



Discount Code D			Per 100 Pieces		
Part No.	A	Std. Pkg.	Wt.	GR	EG
AS 926	12"	Bulk	160	\$1,882.10	\$1,882.10
AS 926	16 5/8"	Bulk	218	\$1,995.40	\$1,995.40
AS 926	24"	Bulk	280	\$2,564.10	\$2,564.10

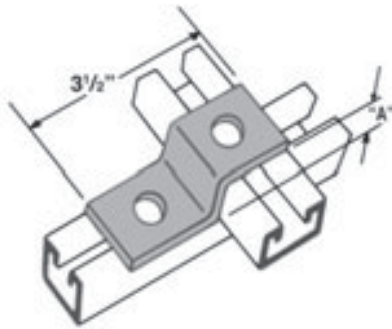
**AS 927
 FIVE HOLE
 CORNER
 CONNECTOR**



Discount Code D			Per 100 Pieces	
Part No.	Std. Pkg.	Wt.	GR	EG
AS 927	10	154	\$2,778.60	\$2,778.60

SECTION 3 – FITTINGS AND ACCESSORIES

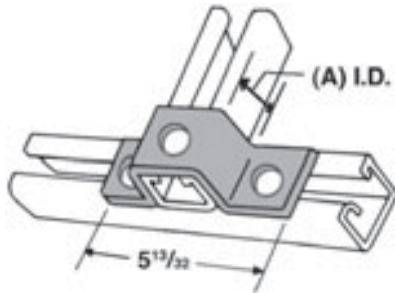
**AS 928
"Z" SUPPORT**
Use For AS 500
and AS 520.



Discount Code D		Per 100 Pieces			
Part No.	A	Std. Pkg.	Wt.	GR	EG
AS 928	1 3/16"	50	47	\$765.60	\$765.60

For Zinc Dichromate, refer to page 95 in the Specialty Strut Section.

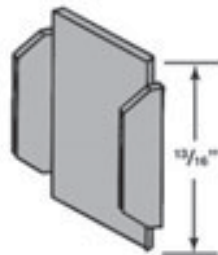
**AS 929
"U" SUPPORT**
Use With AS 500
and AS 520.



Discount Code D		Per 100 Pieces			
Part No.	A	Std. Pkg.	Wt.	GR	EG
AS 929	1 3/16"	25	71	\$1,082.40	\$1,082.40

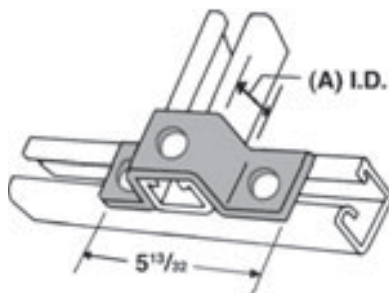
For Zinc Dichromate, refer to page 95 in the Specialty Strut Section.

**AS 930
TYPE "A"
END CAP**
Use With AS 500 Channel.



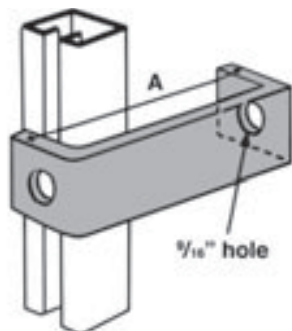
Discount Code D		Per 100 Pieces	
Part No.	Std. Pkg.	Wt.	PG
AS 930	200	5	\$139.70

**AS 978
"U" SUPPORT**
Use With AS 400.



Discount Code D		Per 100 Pieces			
Part No.	A	Std. Pkg.	Wt.	GR	EG
AS 978	1"	20	71	\$1,199.00	\$1,199.00

**AS 993
INSIDE CLEVIS**



Discount Code D		Per 100 Pieces			
Part No.	A	Std. Pkg.	Wt.	GR	EG
AS 993	4"	25	78	\$1,134.10	\$1,134.10
AS 993	5"	25	89	\$1,236.40	\$1,236.40
AS 993	6"	25	101	\$1,361.80	\$1,361.80
AS 993	7"	25	112	\$1,485.00	\$1,485.00
AS 993	8"	25	124	\$1,562.00	\$1,562.00

LEGEND:
GR: Painted Green
EG: Electro-Galvanized

PG: Pre-Galvanized
AL: Aluminum
HG: Hot Dipped Galvanized

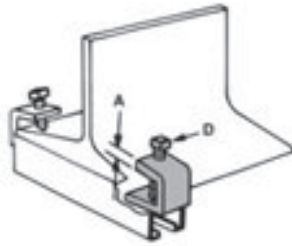
PL: Plain
SS: Stainless Steel
ZD: Zinc Dichromate



SECTION 3 – FITTINGS AND ACCESSORIES

AS 998 "I" BEAM CLAMP

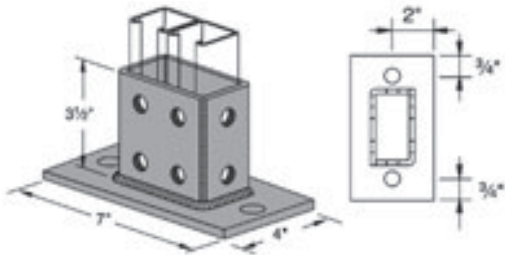
Includes Set Screw.



Discount Code D		Per 100 Pieces				
Part No.	A	D	Load Rating	Std. Pkg.	Wt.	EG
AS 998	3/8"	1/2 x 13 x 1 1/2	500	25	83	\$1,349.70

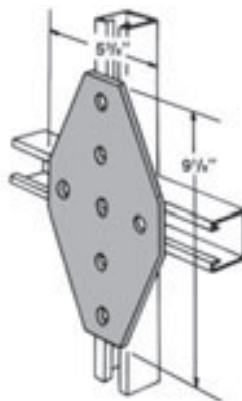
AS 2064 DOUBLE COLUMN POST BASE

Use With AS 100,
 AS 200BTB,
 AS 200STS,
 AS 200BTS,
 AS 200TSR.



Discount Code D		Per 100 Pieces		
Part No.	Std. Pkg.	Wt.	GR	EG
AS 2064	5	311	\$7,602.10	\$7,746.20

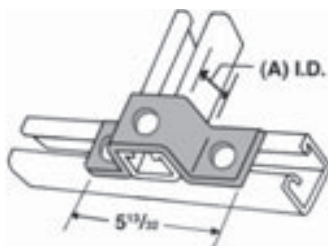
AS 2112 CROSS CONNECTOR



Discount Code D		Per 100 Pieces		
Part No.	Std. Pkg.	Wt.	GR	EG
AS 2112	10	240	\$3,584.90	\$3,584.90

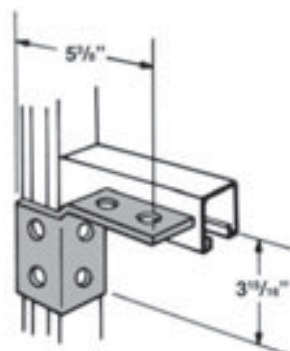
AS 2119 "U" CONNECTOR

Use With AS 200 and AS 210.



Discount Code D		Per 100 Pieces			
Part No.	A	Std. Pkg.	Wt.	GR	EG
AS 2119	1 5/8"	25	95	\$1,717.10	\$1,717.10

AS 2128 RH & LH SIX HOLE CORNER CONNECTOR

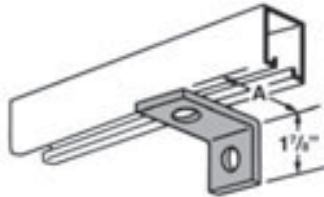


Discount Code D		Per 100 Pieces			
Part No.	Std. Pkg.	Wt.	GR	EG	
AS 2128 RH	10	119	\$2,332.00	\$2,332.00	
AS 2128 LH	10	119	\$2,332.00	\$2,332.00	

When Ordering, Specify RH or LH.

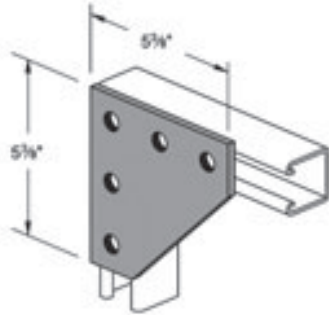
SECTION 3 – FITTINGS AND ACCESSORIES

**AS 2144
CORNER ANGLE**



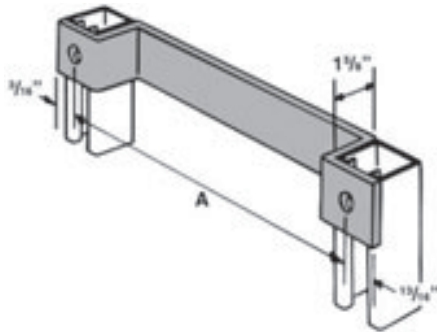
Discount Code D		Per 100 Pieces			
Part No.	A	Std. Pkg.	Wt.	GR	EG
AS 2144	3"	25	49	\$768.90	\$768.90
AS 2144	3 1/2"	25	54	\$851.40	\$851.40
AS 2144	4"	25	61	\$884.40	\$884.40

**AS 2190
FLAT CORNER
CONNECTOR**



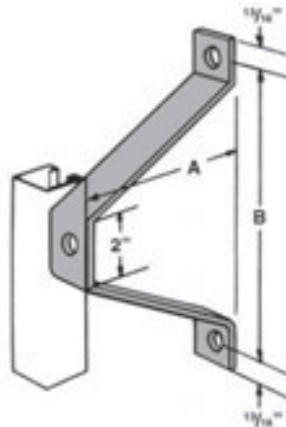
Discount Code D		Per 100 Pieces			
Part No.	Std. Pkg.	Wt.	GR	EG	
AS 2190	10	150	\$2,367.20	\$2,367.20	

**AS 2401 THRU
AS 2403
LADDER RUNG**



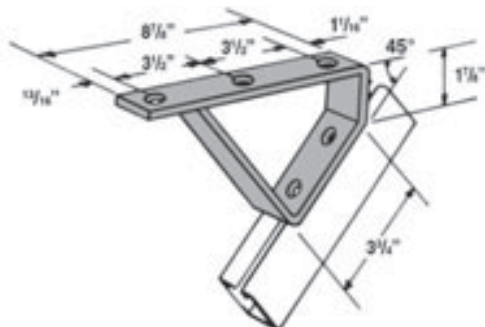
Discount Code D		Per 100 Pieces			
Part No.	A	Std. Pkg.	Wt.	GR	HG
AS 2401	12"	10	186	\$2,297.90	\$2,659.80
AS 2402	15"	20	221	\$2,358.40	\$2,780.80
AS 2403	18"	20	254	\$2,721.40	\$2,901.80

**AS 2404 THRU
AS 2408 WALL
LADDER BRACKET**



Discount Code D		Per 100 Pieces				
Part No.	A	B	Std. Pkg.	Wt.	GR	HG
AS 2404	2 3/8"	6"	10	113	\$1,632.40	\$1,788.60
AS 2405	4 3/8"	8"	10	164	\$2,237.40	\$2,369.40
AS 2406	6 3/8"	10"	10	216	\$2,780.80	\$2,962.30
AS 2407	8 3/8"	12"	10	267	\$3,083.30	\$3,289.00
AS 2408	10 3/8"	14"	10	318	\$3,529.90	\$3,892.90

**AS 2421
45° STAIR
TREAD
SUPPORT**



Discount Code D		Per 100 Pieces			
Part No.	Std. Pkg.	Wt.	GR	HG	
AS 2421 45DEG	20	220	\$3,385.80	\$3,626.70	

LEGEND:
GR: Painted Green
EG: Electro-Galvanized

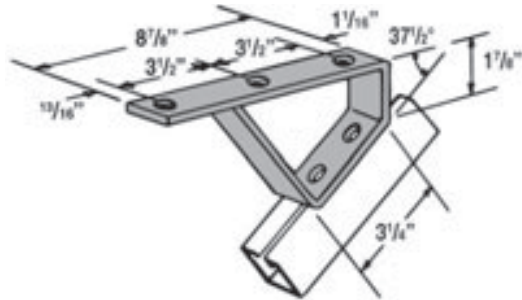
PG: Pre-Galvanized
AL: Aluminum
HG: Hot Dipped Galvanized

PL: Plain
SS: Stainless Steel
ZD: Zinc Dichromate



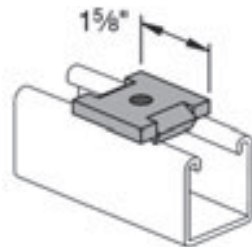
SECTION 3 – FITTINGS AND ACCESSORIES

AS 2422
37 1/2°
STAIR
TREAD
SUPPORT



Discount Code D			Per 100 Pieces	
Part No.	Std. Pkg.	Wt.	GR	HG
AS 2422 37 1/2 DEG	25	213	\$3,325.30	\$3,325.30

AS 2504
SQUARE WASHER
WITH
CHANNEL GUIDE

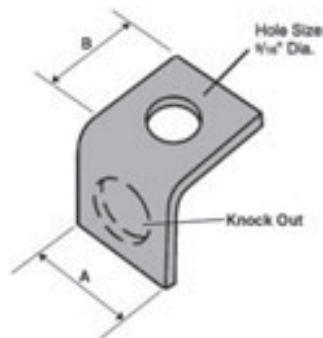


Discount Code D			Per 100 Pieces		
Part No.	Size	Std. Pkg.	Wt.	GR	EG
AS 2504	1/4"	100	18	\$322.30	\$322.30
AS 2504	3/8"	100	18	\$282.70	\$282.70
AS 2504	1/2"	100	17	\$282.70	\$282.70

This item sold in full box quantities.

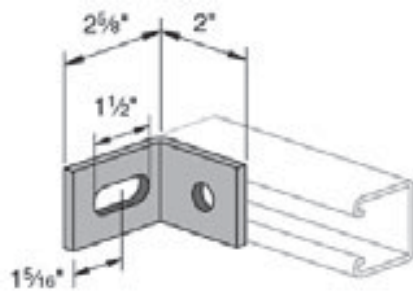
AS 2511
END CAP WITH
KNOCK OUT

AS 2511 1 — Use With AS 100.
 AS 2511 2 — Use With AS 200
 and AS 210.
 AS 2511 3 — Use with AS 300.



Discount Code D			Per 100 Pieces		
Part No.	A	B	Std. Pkg.	Wt.	EG
AS 2511 1	3 1/4"	1 3/4"	50	3.1	\$1,204.50
AS 2511 2	1 5/8"	1 3/4"	50	2.7	\$921.80
AS 2511 3	1 5/8"	1 3/4"	50	2.6	\$1,120.90

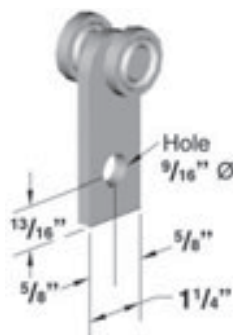
AS 2520
TWO HOLE
ADJUSTMENT
ANGLE



Discount Code D			Per 100 Pieces	
Part No.	Std. Pkg.	Wt.	GR	EG
AS 2520	25	42	\$917.40	\$917.40

AS 2521
TWO WHEEL TROLLEY

Use With AS 200.



Discount Code D			Per 100 Pieces	
Part No.	Load Rating	Std. Pkg.	Wt.	EG
AS 2521	300	20	46	\$5,373.50

CHANNEL

NUTS/HARDWARE

FITTINGS

PIPE/CONDUIT SUPPORTS

KLO-SHURE®

CONCRETE INSERTS

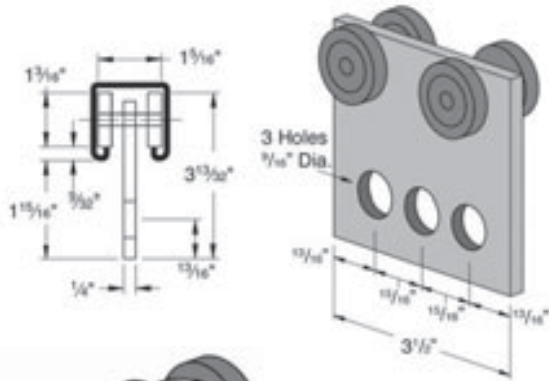
SPECIALTY STRUT

TECHNICAL DATA

SECTION 3 – FITTINGS AND ACCESSORIES

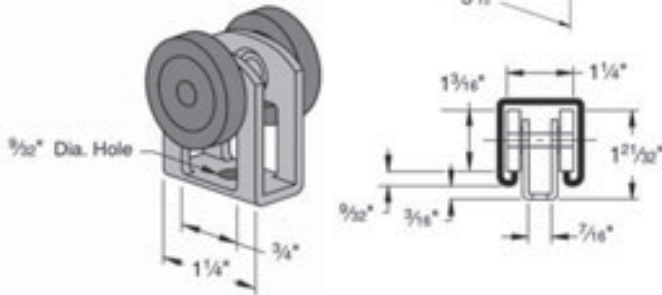
**AS 2522
FOUR WHEEL
TROLLEY**

Use With AS 200.



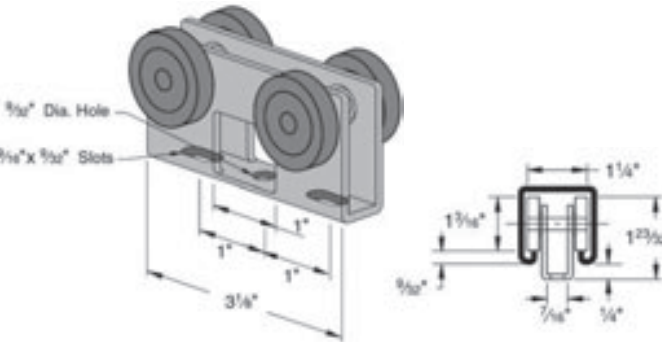
Discount Code D		Per 100 Pieces			
Part No.	Rating	Pkg.	Wt.	GR	EG
AS 2522	600	10	110		\$8,086.10

**AS 2524
TWO WHEEL
LIGHT DUTY
TROLLEY**



Discount Code D		Per 100 Pieces			
Part No.	Rating	Pkg.	Wt.	GR	EG
AS 2524	50	25	21		\$3,748.80

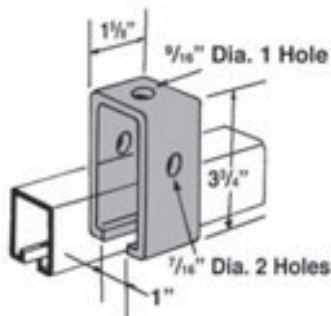
**AS 2525
FOUR WHEEL
LIGHT DUTY
TROLLEY**



Discount Code D		Per 100 Pieces			
Part No.	Rating	Pkg.	Wt.	GR	EG
AS 2525	100	25	55		\$5,561.60

**AS 2528
TROLLEY BEAM
STANDARD
SUPPORT**

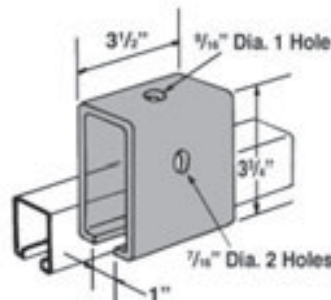
Use With AS 200 and AS 210 Channels.



Discount Code D		Per 100 Pieces			
Part No.	Rating	Pkg.	Wt.	GR	EG
AS 2528	600	10	102	\$2,366.10	\$2,366.10

**AS 2528-1
TROLLEY BEAM
JOINT SUPPORT**

Use With AS 200 and AS 210 Channels.



Discount Code D		Per 100 Pieces			
Part No.	Rating	Pkg.	Wt.	GR	EG
AS 2528-1	2500	10	220	\$3,206.50	\$3,206.50

LEGEND:
GR: Painted Green
EG: Electro-Galvanized

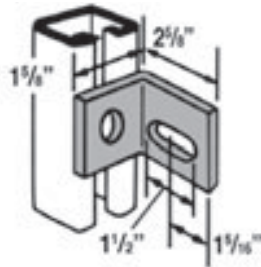
PG: Pre-Galvanized
AL: Aluminum
HG: Hot Dipped Galvanized

PL: Plain
SS: Stainless Steel
ZD: Zinc Dichromate



SECTION 3 – FITTINGS AND ACCESSORIES

**AS 2545
 SLOTTED
 90° ANGLE**



Discount Code D		Per 100 Pieces		
Part No.	Std. Pkg.	Wt.	GR	EG
AS 2545	50	38	\$820.60	\$820.60

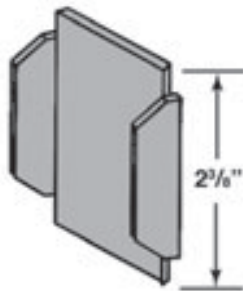
**AS 2560, AS 2561
 CONDUIT
 CONNECTOR
 FITTING
 ASSEMBLY**



Discount Code D		Per 100 Pieces		
Part No.	Use With	Std. Pkg.	Wt.	EG
AS 2560	1/2" Conduit	50	36	\$1,293.60
AS 2561	3/4" Conduit	25	36	\$1,431.10

**AS 2580
 TYPE "A"
 END CAP**

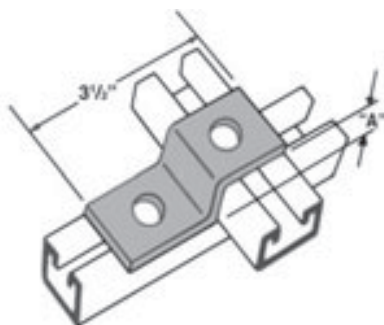
Use With AS 150.



Discount Code D		Per 100 Pieces	
Part No.	Std. Pkg.	Wt.	PG
AS 2580	Bulk	18	\$568.70

**AS 2601
 "Z" SUPPORT**

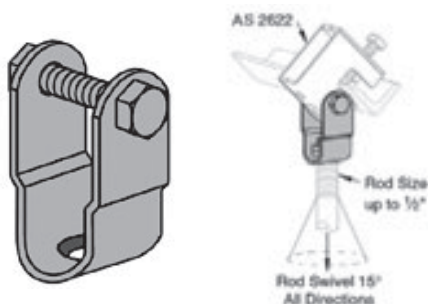
Use With AS 150.



Discount Code D		Per 100 Pieces			
Part No.	A	Std. Pkg.	Wt.	GR	HG
AS 2601	27/16"	25	67	\$1,343.10	\$1,343.10

**AS 2623
 SWIVEL
 ADAPTER**

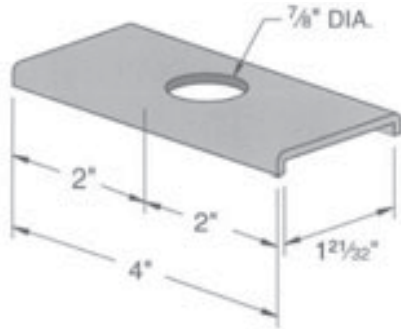
Use With AS 2622
 Beam Clamp.



Discount Code D		Per 100 Pieces		
Part No.	Load Rating	Std. Pkg.	Wt.	EG
AS 2623	300	50	31	\$563.20

SECTION 3 – FITTINGS AND ACCESSORIES

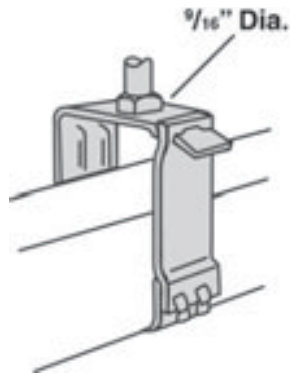
**AS 2627
SPACER
CLEVIS**



Discount Code D		Per 100 Pieces	
Part No.	Std. Pkg.	Wt.	EG
AS 2627	25	24	\$761.20

**AS 2631
SWING GATE
FIXTURE HANGER**

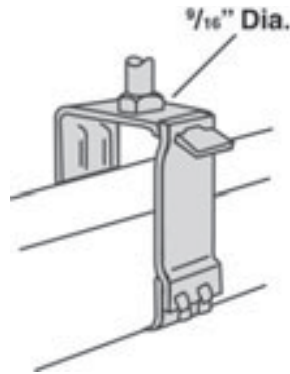
Use With AS 200, AS 210,
AS 300, AS 400,
and AS 500.



Discount Code D		Per 100 Pieces			
Part No.	Size	Load Rating	Std. Pkg.	Wt.	EG
AS 2631	9/16"	90	20	27	\$794.20

**AS 2631D
SWING GATE
FIXTURE HANGER**

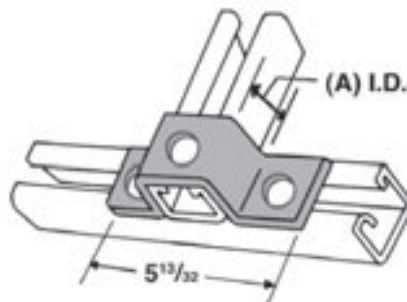
Use With AS 100, AS 150,
AS 200BTB, AS 210BTB.



Discount Code D		Per 100 Pieces			
Part No.	Size	Load Rating	Std. Pkg.	Wt.	EG
AS 2631 D	9/16"	90	20	33	\$1,031.80

**AS 2648
"U" SUPPORT**

Use With AS 150.



Discount Code D		Per 100 Pieces			
Part No.	A	Std. Pkg.	Wt.	GR	EG
AS 2648	2 7/16"	25	108	\$2,017.40	\$2,017.40

LEGEND:
GR: Painted Green
EG: Electro-Galvanized

PG: Pre-Galvanized
AL: Aluminum
HG: Hot Dipped Galvanized

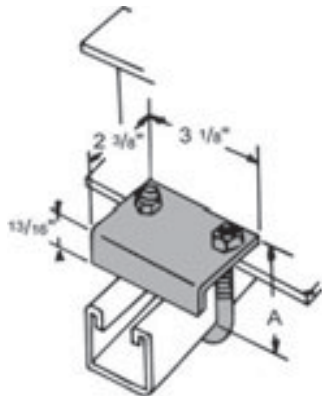
PL: Plain
SS: Stainless Steel
ZD: Zinc Dichromate



SECTION 3 – FITTINGS AND ACCESSORIES

AS 2651 BEAM CLAMP

T1 Use With AS 200, AS 210, AS 300, AS 400, AS 500, AS 520.
 T2 Use With AS 100, AS 150, and AS 200BTB.

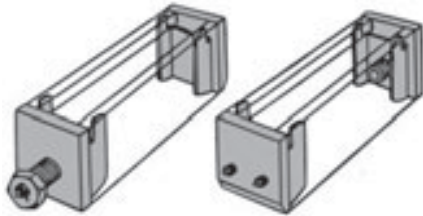


Discount Code D		Per 100 Pieces			
Part No.	A	Load Rating	Std. Pkg.	Wt.	EG
AS 2651 T1	3 3/8"	1000	25	80	\$893.20
AS 2651 T2	5"	1000	25	80	\$1,078.00

This item sold in full box quantities.
 For Zinc Dichromate, refer to page 97 in the Specialty Strut Section.

AS 2654, AS 2654 A COLUMN ATTACHMENT

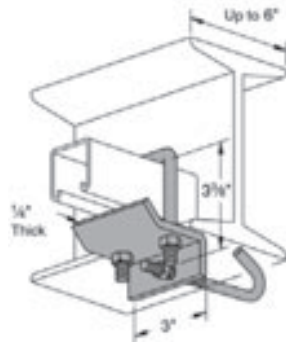
Use AS 2654 With AS 200.
 Use AS 2654 A With AS 500.



Discount Code D		Per 100 Pieces			
Part No.	Slip Rating	Std. Pkg.	Wt.	GR	EG
AS 2654	800	25 pair	41	\$2,820.40	\$2,820.40
AS 2654 A	800	25 pair	41	\$3,105.30	\$3,105.30

AS 2656 "U" BOLT BEAM CLAMP WITH HOOK

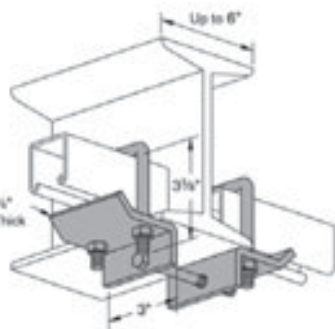
Specify 6" or 12" Max. Flange Width.
 T1 Use With AS 200, AS 210, AS 300, AS 400, AS 500, and AS 520.
 T2 Use With AS 100, AS 150, and AS 200BTB.



Discount Code D		Per 100 Pieces		
Part No.	Std. Pkg.	Wt.	EG	
AS 2656 T1 6	10	130	\$2,233.00	
AS 2656 T1 12	10	142	\$2,308.90	
AS 2656 T2 6	10	141	\$2,319.90	
AS 2656 T2 12	10	153	\$2,734.60	

AS 2657 DOUBLE "U" BOLT BEAM CLAMP

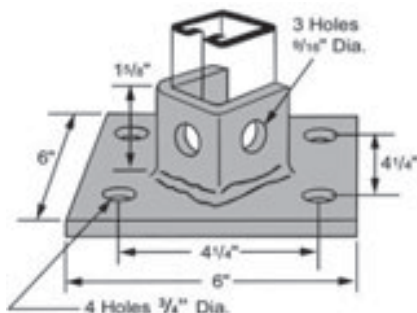
Specify 6" or 12" Max. Flange Width.
 T1 Use With AS 200, AS 210, AS 300, AS 400, AS 500, and AS 520.
 T2 Use With AS 100, AS 150, and AS 200BTB.



Discount Code D		Per 100 Pieces		
Part No.	Std. Pkg.	Wt.	EG	
AS 2657 T1 6	10	204	\$4,160.20	
AS 2657 T1 12	10	210	\$4,302.10	
AS 2657 T2 6	10	226	\$4,565.00	
AS 2657 T2 12	10	232	\$4,711.30	

AS 3013 SINGLE COLUMN POST BASE

Use With AS 200 and AS 210.



Discount Code D		Per 100 Pieces		
Part No.	Std. Pkg.	Wt.	GR	EG
AS 3013	10	307	\$4,810.30	\$4,810.30
AS 3013 SQ	5	307	\$4,810.30	\$4,810.30

Diagram shown is an AS 3013.

CHANNEL

NUTS/HARDWARE

FITTINGS

PIPE/CONDUIT SUPPORTS

KLO-SHURE®

CONCRETE INSERTS

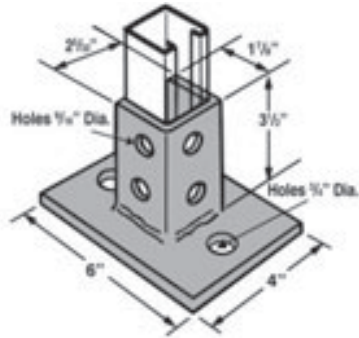
SPECIALTY STRUT

TECHNICAL DATA

SECTION 3 – FITTINGS AND ACCESSORIES

AS 3025 POST BASE

Use With AS 200 and AS 210.

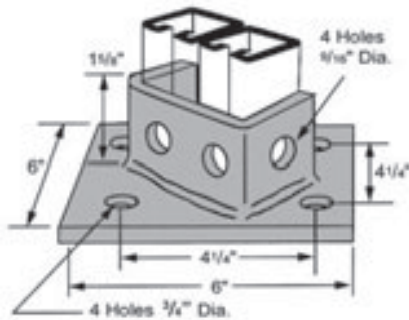


Discount Code D		Per 100 Pieces		
Part No.	Std. Pkg.	Wt.	GR	EG
AS 3025	10	358	\$4,284.50	\$4,284.50
AS 3025 FL	10	358	\$4,165.70	\$4,165.70

This item sold in full box quantities.
Diagram shown is an AS 3025.

AS 3029 DOUBLE COLUMN POST BASE

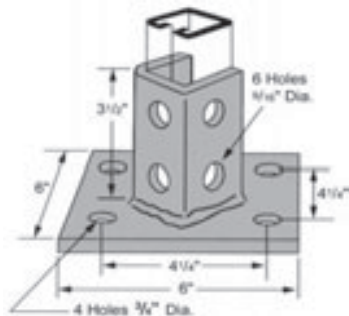
Use With All 3/4" Channels



Discount Code D		Per 100 Pieces		
Part No.	Std. Pkg.	Wt.	GR	EG
AS 3029	5	325	\$5,407.60	\$5,407.60

AS 3033 POST BASE

Use With AS 200
and AS 210.

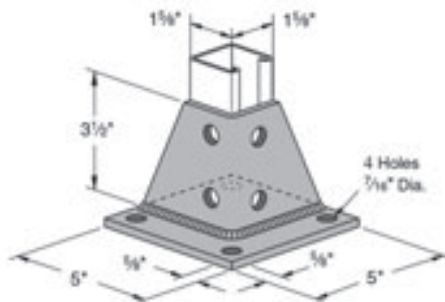


Discount Code D		Per 100 Pieces		
Part No.	Std. Pkg.	Wt.	GR	EG
AS 3033	10	373	\$4,645.30	\$4,777.30
AS 3033 SQ	10	373	\$4,645.30	\$4,777.30

This item sold in full box quantities.
For Zinc Dichromate, refer to page 98 in the Specialty Strut Section.
Diagram shown is an AS 3033.

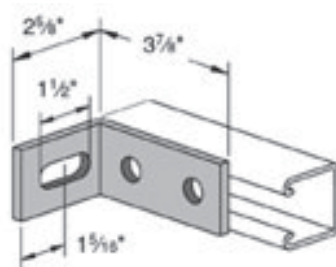
AS 3040 POST BASE

Use With AS 200
and AS 210.



Discount Code D		Per 100 Pieces		
Part No.	Std. Pkg.	Wt.	GR	EG
AS 3040	10	297	\$4,915.90	\$4,915.90

AS 3049 TWO HOLE SLOTTED 90° CORNER CONNECTOR



Discount Code D		Per 100 Pieces		
Part No.	Std. Pkg.	Wt.	GR	EG
AS 3049	25	66	\$1,104.40	\$1,104.40

LEGEND:
GR: Painted Green
EG: Electro-Galvanized

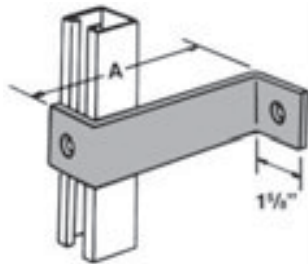
PG: Pre-Galvanized
AL: Aluminum
HG: Hot Dipped Galvanized

PL: Plain
SS: Stainless Steel
ZD: Zinc Dichromate



SECTION 3 – FITTINGS AND ACCESSORIES

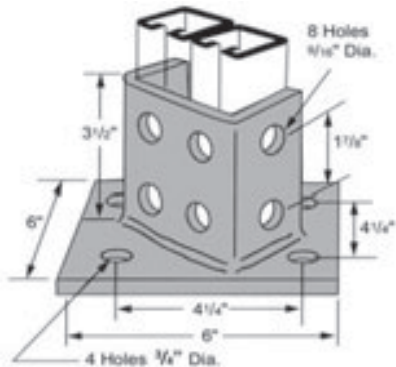
AS 3060 OFFSET CONNECTOR



Discount Code D		Per 100 Pieces			
Part No.	A	Std. Pkg.	Wt.	GR	EG
AS 3060	4"	25	81	\$1,326.60	\$1,326.60
AS 3060	5"	25	92	\$1,393.70	\$1,393.70
AS 3060	6"	25	104	\$1,468.50	\$1,468.50
AS 3060	7"	25	115	\$1,548.80	\$1,548.80
AS 3060	8"	25	127	\$1,945.90	\$1,945.90

AS 3064 DOUBLE COLUMN POST BASE

Use With All 3 1/4" Channels.

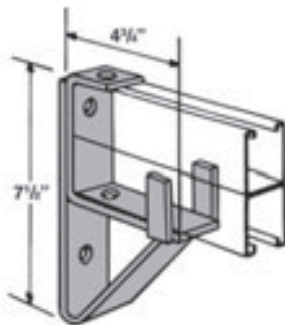


Discount Code D		Per 100 Pieces			
Part No.	Std. Pkg.	Wt.	GR	EG	
AS 3064	10	408	\$6,875.00	\$6,875.00	

For Zinc Dichromate, refer to page 98 in the Specialty Strut Section.

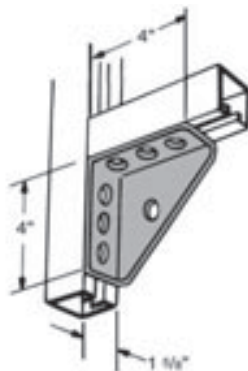
AS 3164 DOUBLE CHANNEL BRACKET SUPPORT

Use With All 3 1/4" Channels.



Discount Code D		Per 100 Pieces			
Part No.	Std. Pkg.	Wt.	GR	EG	
AS 3164	10	273	\$8,135.60	\$8,135.60	

AS 3373 UNIVERSAL ANGLE BRACKET

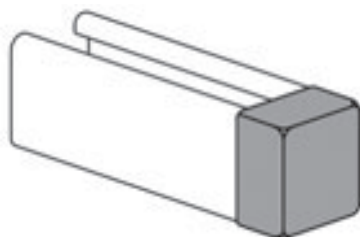


Discount Code D		Per 100 Pieces			
Part No.	Std. Pkg.	Wt.	GR	EG	
AS 3373	25	134	\$1,268.30	\$1,268.30	

For Zinc Dichromate, refer to page 98 in the Specialty Strut Section.
 For Load Rating, see page 104.

AS 6153 SAFETY END CAP

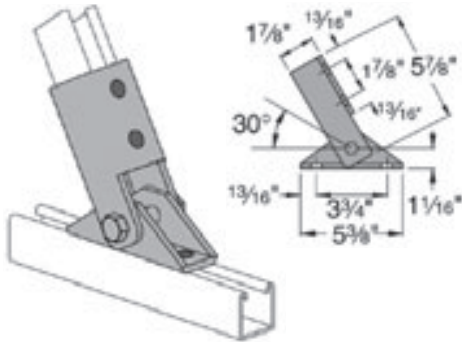
- 1 — Use With AS 100.
- 2 — Use With AS 200 and AS 210.
- 3 — Use With AS 300.
- 5 — Use With AS 500.



Discount Code D		Per 100 Pieces			
Part No.	Size	Std. Pkg.	Wt.	Red	White
AS 6153	1	100	5.0	\$972.40	\$972.40
AS 6153	2	100	2.8	\$926.20	\$926.20
AS 6153	3	100	2.5	\$926.20	\$926.20
AS 6153	5	100	2.0	\$950.40	\$950.40

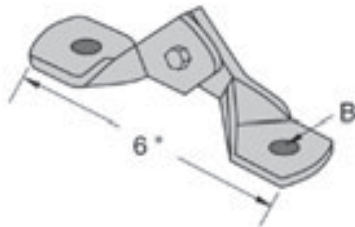
SECTION 3 – FITTINGS AND ACCESSORIES

**AS 9400
ADJUSTABLE
BASE**



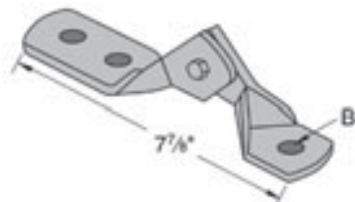
Discount Code D			Per 100 Pieces	
Part No.	Std. Pkg.	Wt.	GR	EG
AS 9400	10	307	\$4,570.50	\$4,570.50

**AS 9402
TWO HOLE
HINGE
CONNECTOR**



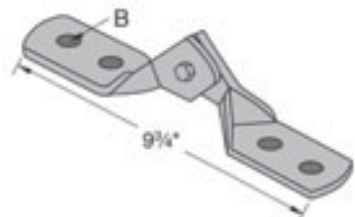
Discount Code D			Per 100 Pieces	
Part No.	B	Std. Pkg.	Wt.	EG
AS 9402	1/2"	15	90	\$4,239.40
AS 9402	5/8"	15	88	\$4,748.70
AS 9402	3/4"	15	86	\$4,893.90

**AS 9403
THREE HOLE
HINGE
CONNECTOR**



Discount Code D			Per 100 Pieces	
Part No.	B	Std. Pkg.	Wt.	EG
AS 9403	1/2"	15	108	\$4,606.80
AS 9403	5/8"	15	107	\$5,039.10
AS 9403	3/4"	15	106	\$5,183.20

**AS 9404
FOUR HOLE
HINGE
CONNECTOR**



Discount Code D			Per 100 Pieces	
Part No.	B	Std. Pkg.	Wt.	EG
AS 9404	1/2"	10	126	\$4,893.90

LEGEND:
GR: Painted Green
EG: Electro-Galvanized

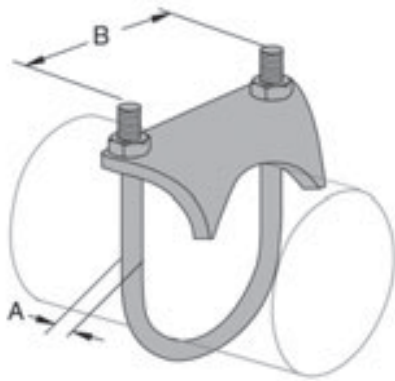
PG: Pre-Galvanized
AL: Aluminum
HG: Hot Dipped Galvanized

PL: Plain
SS: Stainless Steel
ZD: Zinc Dichromate



SECTION 4 – PIPE & CONDUIT SUPPORTS

**AS 51
 RIGHT ANGLE
 PIPE OR
 CONDUIT
 CLAMP**



Discount Code D		Per 100 Pieces				
Part No.	Size	A Dia.	B	Std. Pkg.	Wt.	EG
AS 51	3/8"	5/16"	15/16"	50	25	\$930.60
AS 51	1/2"	5/16"	13/16"	50	41	\$865.70
AS 51	3/4"	5/16"	17/16"	50	42	\$871.20
AS 51	1"	5/16"	111/16"	50	47	\$943.80
AS 51	1 1/4"	5/16"	2"	50	54	\$1,087.90
AS 51	1 1/2"	5/16"	25/16"	50	57	\$1,298.00
AS 51	2"	3/8"	23/16"	50	85	\$1,698.40
AS 51	2 1/2"	3/8"	33/8"	50	106	\$1,725.90
AS 51	3"	3/8"	41/8"	50	110	\$2,307.80
AS 51	3 1/2"	3/8"	45/8"	50	128	\$3,221.90
AS 51	4"	3/8"	51/8"	50	140	\$3,538.70

This item sold in full box quantities.

**FIG. 67
 PIPE OR
 CONDUIT
 HANGER**

Size range 1/2" thru 6".



Part No.	For Prices, See Anvil International
Fig. 67	Pipe Hanger List Price Sheet.

**FIG. 69
 SWIVEL RING
 HANGER**

Size range 1/2" thru 4".



Part No.	For Prices, See Anvil International
Fig. 69	Pipe Hanger List Price Sheet.

**FIG. 137
 "U" BOLT
 WITH NUTS
 LONG TANGENT**

Size range 1/2" thru 4".



Part No.	For Prices, See Anvil International
Fig. 137	Pipe Hanger List Price Sheet.

CHANNEL

NUTS/HARDWARE

FITTINGS

PIPE/CONDUIT SUPPORTS

KLO-SHURE®

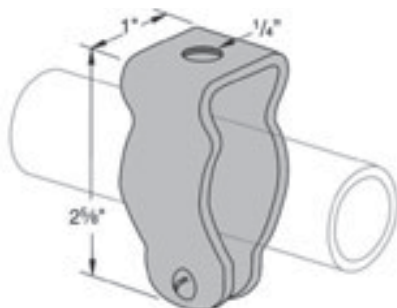
CONCRETE INSERTS

SPECIALTY STRUT

TECHNICAL DATA

SECTION 4 – PIPE & CONDUIT SUPPORTS

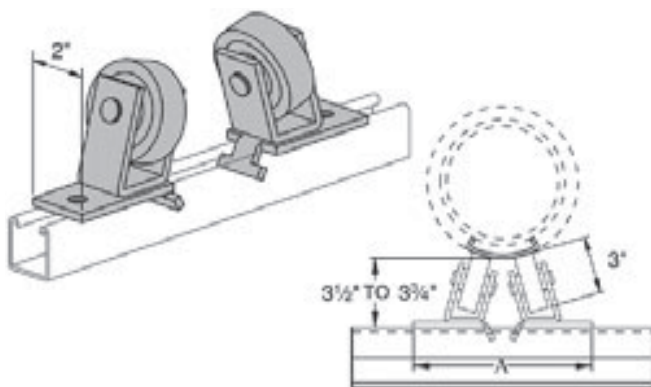
**AS 270
CONDUIT CLAMP**



Discount Code D		Per 100 Pieces			
Part No.	A	Std. Pkg.	Wt.	EG	
AS 270	3/8" - 1/2"	50	6	\$122.10	
AS 270	3/4"	50	8	\$140.80	
AS 270	1"	50	9	\$154.00	
AS 270	1 1/4"	25	11	\$199.10	
AS 270	1 1/2"	25	19	\$290.40	
AS 270	2"	25	27	\$367.40	

AS 815 (6" TO 18" PIPE) DOUBLE ROLLER PIPE SUPPORT

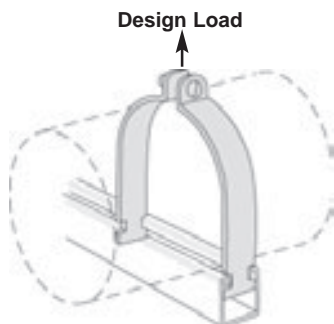
Order Nuts and Bolts Separately.



Discount Code D		Per 100 Pieces			
Part No.	Load Rating	Std. Pkg.	Wt.	GR	HG
AS 815 6-18	1500	5 Pr.	680	\$11,457.60	POA

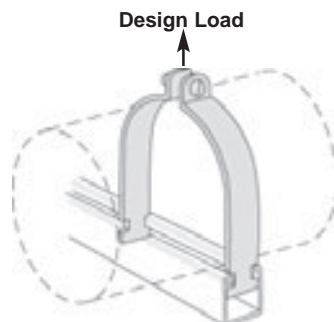
For "A" Dimension Recommendations, See Chart On Page 99.

**AS 1000
EMT CONDUIT
CLAMPS**



Discount Code B		Per 100 Pieces				
Part No.	Size	O.D. Size	Load Rating	Std. Pkg.	Wt.	EG
AS 1000	1/2"	0.706	400	100	11	\$207.90
AS 1000	3/4"	0.922	400	100	12	\$217.80
AS 1000	1"	1.163	600	100	15	\$248.60
AS 1000	1 1/4"	1.510	600	100	18	\$278.30
AS 1000	1 1/2"	1.740	800	50	29	\$342.10
AS 1000	2"	2.197	800	50	33	\$360.80

**AS 1000
PRE-ASSEMBLED
EMT CONDUIT
CLAMPS**



Discount Code B		Per 100 Pieces				
Part No.	Size	O.D. Size	Load Rating	Std. Pkg.	Wt.	EG
AS 1000 AS	1/2"	0.706	400	100	11	\$224.40
AS 1000 AS	3/4"	0.922	400	100	12	\$229.90
AS 1000 AS	1"	1.163	600	100	15	\$266.20
AS 1000 AS	1 1/4"	1.510	600	100	18	\$299.20
AS 1000 AS	1 1/2"	1.740	800	50	29	\$363.00
AS 1000 AS	2"	2.197	800	50	33	\$387.20

LEGEND:
GR: Painted Green
EG: Electro-Galvanized

PG: Pre-Galvanized
AL: Aluminum
HG: Hot Dipped Galvanized

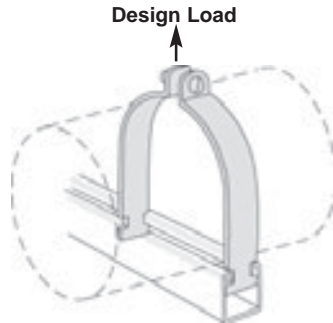
PL: Plain
SS: Stainless Steel
ZD: Zinc Dichromate



SECTION 4 – PIPE & CONDUIT SUPPORTS

AS 1100 RIGID STEEL CONDUIT CLAMPS

Also For IMC and GRC.



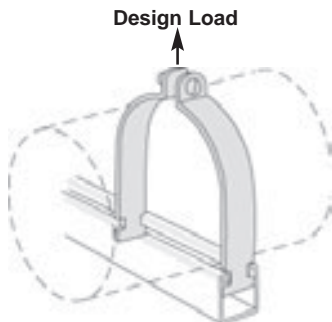
Discount Code A					Per 100 Pieces		
Part No.	Size	O.D. Size	Load Rating	Std. Pkg.	Wt.	EG	
AS 1100	3/8"	0.675	400	100	10	\$258.50	
AS 1100	1/2"	0.840	400	100	11	\$207.90	
AS 1100	3/4"	1.050	600	100	15	\$217.80	
AS 1100	1"	1.315	600	100	17	\$248.60	
AS 1100	1 1/4"	1.660	600	100	19	\$278.30	
AS 1100	1 1/2"	1.900	800	50	29	\$342.10	
AS 1100	2"	2.375	800	50	34	\$359.70	
AS 1100	2 1/2"	2.875	800	50	40	\$408.10	
AS 1100	3"	3.500	800	50	47	\$446.60	
AS 1100	3 1/2"	4.000	1000	25	62	\$521.40	
AS 1100	4"	4.500	1000	25	67	\$584.10	
AS 1100	5"	5.563	1000	25	80	\$881.10	
AS 1100	6"	6.625	1000	25	102	\$1,058.20	
AS 1100	8"	8.625	1000	25	130	\$1,633.50	
AS 1100	10"	10.750	1000	10	143	\$2,172.50	
AS 1100	12"	12.750	1000	10	174	\$2,689.50	

This item sold in full box quantities.

For Stainless Steel and Zinc Dichromate, refer to page 96 in the Specialty Strut Section.

AS 1100 PRE-ASSEMBLED RIGID STEEL CONDUIT AND PIPE CLAMPS

Also For IMC and GRC.



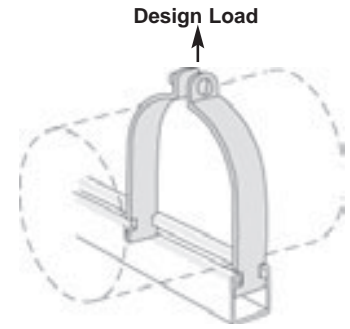
Discount Code A					Per 100 Pieces		
Part No.	Size	O.D. Size	Load Rating	Std. Pkg.	Wt.	EG	
AS 1100 AS	3/8"	0.675	400	100	10	\$277.20	
AS 1100 AS	1/2"	0.840	400	100	11	\$223.30	
AS 1100 AS	3/4"	1.050	600	100	15	\$229.90	
AS 1100 AS	1"	1.315	600	100	17	\$264.00	
AS 1100 AS	1 1/4"	1.660	600	100	19	\$298.10	
AS 1100 AS	1 1/2"	1.900	800	50	29	\$361.90	
AS 1100 AS	2"	2.375	800	50	34	\$381.70	
AS 1100 AS	2 1/2"	2.875	800	50	40	\$434.50	
AS 1100 AS	3"	3.500	800	50	47	\$475.20	
AS 1100 AS	3 1/2"	4.000	1000	25	62	\$562.10	
AS 1100 AS	4"	4.500	1000	25	67	\$619.30	
AS 1100 AS	5"	5.563	1000	25	80	\$960.30	
AS 1100 AS	6"	6.625	1000	25	102	\$1,208.90	
AS 1100 AS	8"	8.625	1000	25	130	\$1,736.90	
AS 1100 AS	10"	10.750	1000	25	143	\$2,311.10	
AS 1100 AS	12"	12.750	1000	25	174	\$2,861.10	

This item sold in full box quantities.

For Stainless Steel and Zinc Dichromate, refer to page 96 in the Specialty Strut Section.

SECTION 4 – PIPE & CONDUIT SUPPORTS

AS 1200 O.D. TUBING CLAMP



Discount Code A		Per 100 Pieces						
Part No.	Tube Size	Load Size	Load Rating	Std. Pkg.	Wt.	EG	Copper Plated	
AS 1200	1/4"	1/8"	400	100	8	\$290.40	POA	
AS 1200	3/8"	1/4"	400	100	8	\$299.20	\$369.60	
AS 1200	1/2"	3/8"	400	100	9	\$303.60	\$379.50	
AS 1200	5/8"	1/2"	400	100	10	\$308.00	\$385.00	
AS 1200	3/4"	5/8"	400	100	11	\$317.90	POA	
AS 1200	7/8"	3/4"	400	100	12	\$331.10	\$420.20	
AS 1200	1"	7/8"	600	100	14	\$368.50	POA	
AS 1200	1 1/8"	1"	600	100	15	\$379.50	\$467.50	
AS 1200	1 1/4"	1 1/8"	600	100	16	\$385.00	POA	
AS 1200	1 3/8"	1 1/4"	600	100	17	\$396.00	\$542.30	
AS 1200	1 1/2"	1 3/8"	600	100	18	\$407.00	POA	
AS 1200	1 5/8"	1 1/2"	600	100	19	\$413.60	\$566.50	
AS 1200	1 3/4"	1 5/8"	800	50	29	\$539.00	POA	
AS 1200	1 7/8"	1 3/4"	800	50	28	\$539.00	POA	
AS 1200	2"	1 7/8"	800	50	31	\$548.90	POA	
AS 1200	2 1/8"	2"	800	50	32	\$548.90	\$768.90	
AS 1200	2 1/4"	2 1/8"	800	50	33	\$583.00	POA	
AS 1200	2 3/8"	2 1/4"	800	50	34	\$583.00	POA	
AS 1200	2 1/2"	2 3/8"	800	50	35	\$605.00	POA	
AS 1200	2 5/8"	2 1/2"	800	50	37	\$605.00	\$856.90	
AS 1200	2 3/4"	2 5/8"	800	50	38	\$490.60	POA	
AS 1200	2 7/8"	2 3/4"	800	50	40	\$635.80	POA	
AS 1200	3"	2 7/8"	800	50	41	\$668.80	POA	
AS 1200	3 1/8"	3"	800	50	43	\$686.40	\$937.20	
AS 1200	3 1/4"	3 1/8"	800	50	45	\$707.30	POA	
AS 1200	3 3/8"	3 1/4"	800	50	46	\$723.80	POA	
AS 1200	3 1/2"	3 3/8"	800	50	47	\$723.80	POA	
AS 1200	3 5/8"	3 1/2"	800	50	56	\$757.90	\$1,159.40	
AS 1200	3 3/4"	3 5/8"	800	25	58	\$834.90	POA	
AS 1200	3 7/8"	3 3/4"	1,000	25	60	\$948.20	POA	
AS 1200	4"	3 7/8"	1,000	25	62	\$948.20	POA	
AS 1200	4 1/8"	4"	1,000	25	62	\$1,049.40	\$1,162.70	
AS 1200	4 1/4"	4 1/8"	1,000	25	64	\$1,162.70	POA	
AS 1200	4 3/8"	4 1/4"	1,000	25	66	\$1,128.60	POA	
AS 1200	4 1/2"	4 3/8"	1,000	25	67	\$1,128.60	POA	
AS 1200	4 5/8"	4 1/2"	1,000	25	70	\$1,148.40	POA	
AS 1200	4 3/4"	4 5/8"	1,000	25	72	\$1,171.50	POA	
AS 1200	4 7/8"	4 3/4"	1,000	25	73	\$1,194.60	POA	

Continued in next column

Continued from previous column								
Discount Code A		Per 100 Pieces						
Part No.	Tube Size	Load Size	Load Rating	Std. Pkg.	Wt.	EG	Copper Plated	
AS 1200	5"	4 7/8"	1,000	25	74	\$1,194.60	POA	
AS 1200	5 1/8"	5"	1,000	25	76	\$1,235.30	POA	
AS 1200	5 1/4"	5 1/8"	1,000	25	77	\$1,324.40	POA	
AS 1200	5 3/8"	5 1/4"	1,000	25	78	\$1,300.20	POA	
AS 1200	5 1/2"	5 3/8"	1,000	25	79	\$1,312.30	POA	
AS 1200	5 5/8"	5 1/2"	1,000	25	88	\$1,567.50	POA	
AS 1200	5 3/4"	5 5/8"	1,000	25	90	\$1,604.90	POA	
AS 1200	5 7/8"	5 3/4"	1,000	25	92	\$1,628.00	POA	
AS 1200	6"	5 7/8"	1,000	25	94	\$1,626.90	POA	
AS 1200	6 1/8"	6"	1,000	25	96	\$1,643.40	POA	
AS 1200	6 1/4"	6 1/8"	1,000	25	98	\$1,677.50	POA	
AS 1200	6 3/8"	6 1/4"	1,000	25	99	\$1,689.60	POA	
AS 1200	6 1/2"	6 3/8"	1,000	25	100	\$1,950.30	POA	
AS 1200	6 5/8"	6 1/2"	1,000	25	102	\$1,993.20	POA	
AS 1200	6 3/4"	6 5/8"	1,000	25	104	\$2,025.10	POA	
AS 1200	6 7/8"	6 3/4"	1,000	25	106	\$2,051.50	POA	
AS 1200	7"	6 7/8"	1,000	25	108	\$2,051.50	POA	
AS 1200	7 1/8"	7"	1,000	25	110	\$2,114.20	POA	
AS 1200	7 1/4"	7 1/8"	1,000	25	112	\$2,140.60	POA	
AS 1200	7 3/8"	7 1/4"	1,000	25	114	\$2,192.30	POA	
AS 1200	7 1/2"	7 3/8"	1,000	25	116	\$2,192.30	POA	
AS 1200	7 5/8"	7 1/2"	1,000	25	117	\$2,235.20	POA	
AS 1200	7 3/4"	7 5/8"	1,000	25	119	\$2,238.50	POA	
AS 1200	7 7/8"	7 3/4"	1,000	25	121	\$2,306.70	POA	
AS 1200	8"	7 7/8"	1,000	25	123	\$2,306.70	POA	
AS 1200	8 1/8"	8"	1,000	25	125	\$2,459.60	POA	
AS 1200	8 1/4"	8 1/8"	1,000	25	126	\$2,401.30	POA	
AS 1200	8 3/8"	8 1/4"	1,000	25	128	\$2,473.90	POA	
AS 1200	8 1/2"	8 3/8"	1,000	25	129	\$2,505.80	POA	
AS 1200	8 5/8"	8 1/2"	1,000	25	130	\$2,505.80	POA	

This item sold in full box quantities.
For Stainless Steel and Zinc Dichromate, refer to page 97 in the Specialty Strut Section.

LEGEND:
GR: Painted Green
EG: Electro-Galvanized

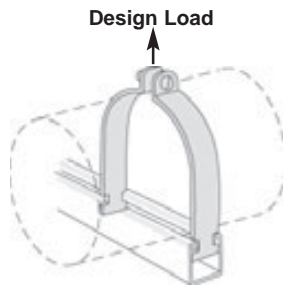
PG: Pre-Galvanized
AL: Aluminum
HG: Hot Dipped Galvanized

PL: Plain
SS: Stainless Steel
ZD: Zinc Dichromate



SECTION 4 – PIPE & CONDUIT SUPPORTS

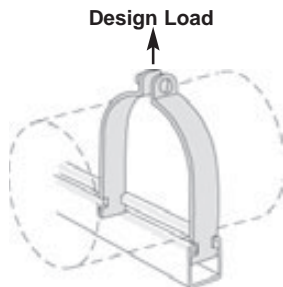
AS 1300 UNIVERSAL PIPE CLAMP



Discount Code B					Per 100 Pieces		
Part No.	Size	O.D. Range Min./Max	Load Rating	Std. Pkg.	Wt.	EG	
AS 1300	1/2"	.706 to .840	250	100	10	\$207.90	
AS 1300	3/4"	.922 to 1.050	400	100	11	\$217.80	
AS 1300	1"	1.163 to 1.315	400	100	12	\$248.60	
AS 1300	1 1/4"	1.510 to 1.660	400	100	18	\$278.30	
AS 1300	1 1/2"	1.740 to 1.900	500	50	20	\$342.10	
AS 1300	2"	2.197 to 2.375	500	50	22	\$360.80	

AS 1300 PRE-ASSEMBLED UNIVERSAL CLAMP

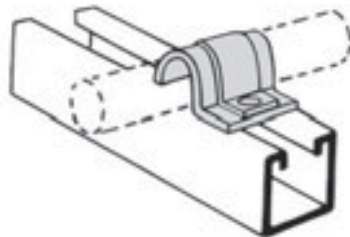
For EMT, IMC, GC, Pipe,
or O.D. Tube.



Discount Code B					Per 100 Pieces		
Part No.	Size	O.D. Range Min./Max	Load Rating	Std. Pkg.	Wt.	EG	
AS 1300 AS	1/2"	.706 to .840	250	100	10	\$223.30	
AS 1300 AS	3/4"	.922 to 1.050	400	100	11	\$229.90	
AS 1300 AS	1"	1.163 to 1.315	400	100	12	\$264.00	
AS 1300 AS	1 1/4"	1.510 to 1.660	400	100	18	\$295.90	
AS 1300 AS	1 1/2"	1.740 to 1.900	500	50	20	\$361.90	
AS 1300 AS	2"	2.197 to 2.375	500	50	22	\$383.90	

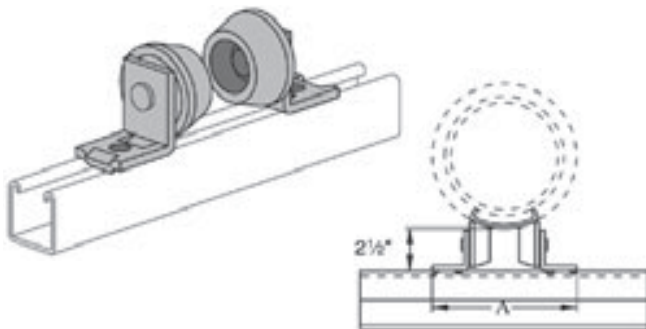
AS 1450 ONE HOLE CLAMP FOR O.D. TUBING

Use With 1 1/2" Wide Channel



Discount Code B		Per 100 Pieces		
Part No.	A	Std. Pkg.	Wt.	EG
AS 1450	1/4"	100	4	\$287.10
AS 1450	3/8"	100	5	\$290.40
AS 1450	1/2"	100	6	\$309.10
AS 1450	5/8"	100	8	\$366.30
AS 1450	3/4"	100	9	\$383.90
AS 1450	7/8"	50	10	\$403.70
AS 1450	1"	50	11	\$424.60

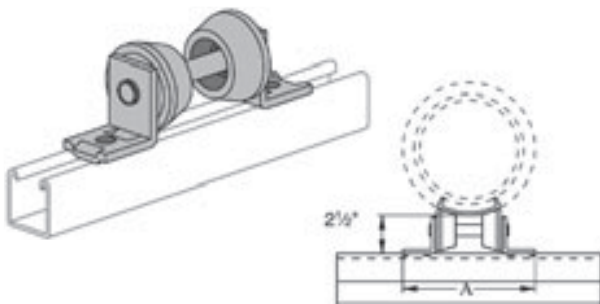
AS 1901 (1" - 8" PIPE) PIPE ROLLER SUPPORT



Discount Code D					Per 100 Pieces	
Part No.	Load Rating	Std. Pkg.	Wt.	GR	EG	
AS 1901	500	10 Pr.	268	\$5,603.40	\$5,603.40	

For "A" Dimension Recommendations, see chart on page 99.

AS 1902 PIPE ROLLER SUPPORT

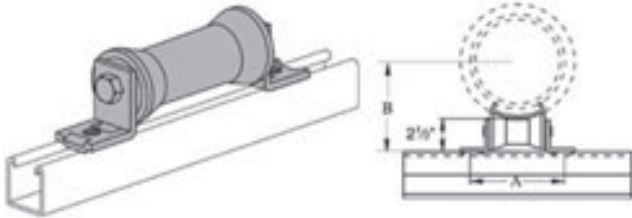


Discount Code D					Per 100 Pieces		
Part No.	Size	A	Load Rating	Std. Pkg.	Wt.	GR	EG
AS 1902	1" - 2"	6 3/4"	750	10	299	\$9,154.20	\$8,596.50
AS 1902	2 1/2" - 3 1/2"	7 1/2"	750	10	304	\$7,174.20	\$7,174.20
AS 1902	4" - 6"	8 1/2"	750	10	311	\$7,183.00	\$7,183.00
AS 1902	8"	9 9/16"	750	10	319	\$7,327.10	\$7,327.10

For "A" Dimension Recommendations, see chart on page 99.

SECTION 4 – PIPE & CONDUIT SUPPORTS

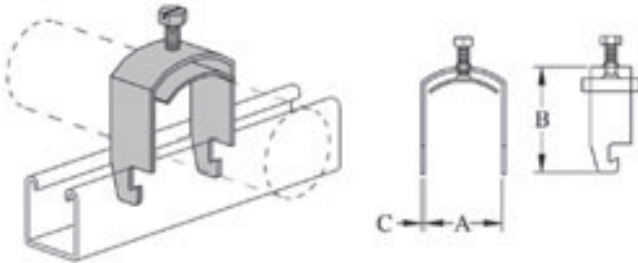
AS 1911 PIPE ROLLER



Discount Code D		Per 100 Pieces				
Part No.	Size	Load Rating	Std. Pkg.	Wt.	GR	HG
AS 1911	2"-3½"	950	25	160	\$3,031.60	\$3,579.40
AS 1911	4"-6"	950	20	215	\$3,105.30	\$3,735.60
AS 1911	8"-10"	950	Bulk	525	\$5,867.40	\$8,209.30
AS 1911	12"-14"	950	Bulk	1,025	\$7,915.60	\$12,184.70

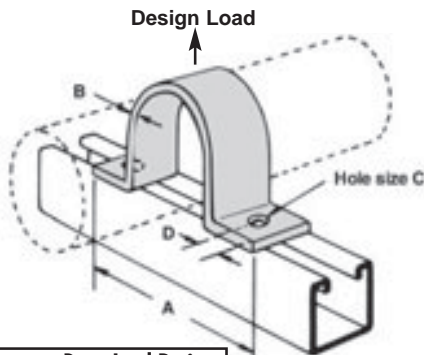
For "A" Dimension Recommendations, see chart on page 99.

AS 3101 THRU AS 3115 ONE PIECE CABLE AND CONDUIT CLAMP



Discount Code D		Per 100 Pieces					
Part No.	Size	A	B	C	Std. Pkg.	Wt.	EG
AS 3101	¾"	7/16"	1 5/8"	14	100	6	\$521.40
AS 3102	½"	9/16"	1 3/4"	14	100	7	\$548.90
AS 3103	¾"	1 3/16"	2"	14	100	12	\$570.90
AS 3104	1"	1 1/16"	2 1/4"	14	100	15	\$602.80
AS 3105	1 1/4"	1 5/16"	2 1/2"	14	100	19	\$645.70
AS 3106	1 1/2"	1 9/16"	2 3/4"	14	100	20	\$744.70
AS 3107	1 3/4"	1 13/16"	3"	12	100	25	\$888.80
AS 3108	2"	2 1/16"	3 1/4"	12	100	35	\$980.10
AS 3109	2 3/8"	2 7/16"	3 5/8"	12	75	41	\$1,279.30
AS 3110	2 3/4"	2 13/16"	4"	12	75	60	\$1,373.90
AS 3111	3 1/4"	3 5/16"	4 1/2"	12	75	64	\$1,791.90
AS 3112	3 3/4"	3 13/16"	5"	12	50	91	\$2,124.10
AS 3113	4"	4 1/16"	5 1/4"	12	40	100	\$2,208.80
AS 3114	4 3/8"	4 7/16"	5 5/8"	12	30	115	\$2,318.80
AS 3115	4 3/4"	4 13/16"	6"	12	30	125	\$2,515.70

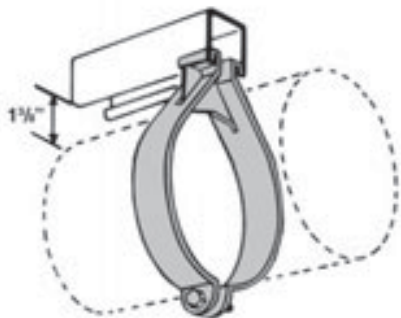
AS 3126 HOLD DOWN CLAMP



Size	B	C	D	Load Rating
1/2 - 1 1/2	1/8"	9/32"	7/16"	500
2 - 6	1/4"	13/32"	13/16"	1000

Discount Code B		Per 100 Pieces			
Part No.	Size	A	Std. Pkg.	Wt.	EG
AS 3126	½"	2 7/8"	50	23	\$826.10
AS 3126	¾"	3 1/16"	50	26	\$852.50
AS 3126	1"	3 11/32"	25	31	\$900.90
AS 3126	1 1/4"	3 11/16"	25	35	\$937.20
AS 3126	1 1/2"	3 29/32"	25	39	\$963.60
AS 3126	2"	5 21/32"	25	94	\$1,515.80
AS 3126	2 1/2"	6 5/32"	25	114	\$1,652.20
AS 3126	3"	6 25/32"	25	133	\$1,772.10
AS 3126	3 1/2"	7 9/32"	10	152	\$1,325.50
AS 3126	4"	7 25/32"	Bulk	176	\$2,002.00
AS 3126	5"	7 27/32"	Bulk	198	\$2,873.20
AS 3126	6"	9 29/32"	Bulk	225	\$3,044.80

AS 3138 PARALLEL PIPE CLAMP



Discount Code B		Per 100 Pieces			
Part No.	Size	Load Rating	Std. Pkg.	Wt.	EG
AS 3138	¾"	300	50	27	\$1,387.10
AS 3138	½"	300	50	29	\$1,262.80
AS 3138	¾"	300	50	30	\$1,228.70
AS 3138	1"	400	50	31	\$1,293.60
AS 3138	1 1/4"	400	50	38	\$1,450.90
AS 3138	1 1/2"	500	50	40	\$1,666.50
AS 3138	2"	500	25	47	\$1,828.20
AS 3138	2 1/2"	500	25	66	\$2,018.50
AS 3138	3"	500	25	78	\$2,131.80
AS 3138	3 1/2"	500	25	87	\$2,257.20
AS 3138	4"	500	25	90	\$2,492.60

LEGEND:
GR: Painted Green
EG: Electro-Galvanized

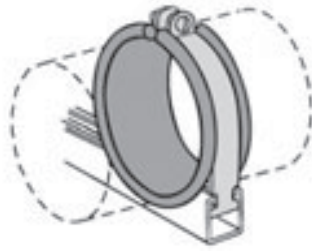
PG: Pre-Galvanized
AL: Aluminum
HG: Hot Dipped Galvanized

PL: Plain
SS: Stainless Steel
ZD: Zinc Dichromate



SECTION 4 – PIPE & CONDUIT SUPPORTS

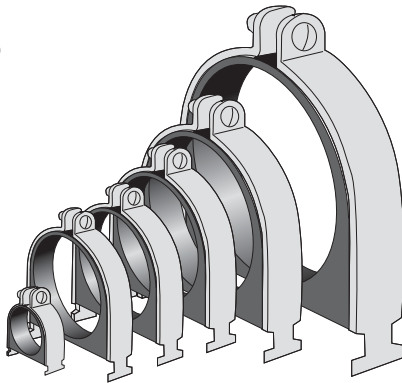
AS 3792 CUSHION STRIP



Discount Code D		Per 100 Boxes		
Part No.	Std. Pkg.	Wt.	EPDM	
AS 3792	20 Ft./Box	253	\$18,092.80	

Service Temperature -50°F to 275°F.

AS 0040D THRU AS 106P CUSHION CLAMP ASSEMBLY



Discount Code A		Per 100 Pieces		
Part No.	O.D. Size (Pipe Size)	Std. Pkg.	Wt.	EG/ZD
AS 004OD	1/4"	25	10	\$740.30
AS 006ODN	3/8"	25	11	\$740.30
AS 008ODN	1/2"	25	13	\$740.30
AS 009P	(1/4" Pipe)	25	13	\$755.70
AS 010ODN	5/8"	25	14	\$755.70
AS 011P	(3/8" Pipe)	25	14	\$775.50
AS 012ODN	3/4"	25	14	\$775.50
AS 014P	(1/2" Pipe)	25	15	\$876.70
AS 014ODN	7/8"	25	15	\$876.70
AS 016OD	1"	25	17	\$1,012.00
AS 017P	(3/4" Pipe)	20	17	\$1,040.60
AS 018ODN	1 1/8"	20	18	\$1,040.60
AS 020OD	1 1/4"	20	18	\$1,368.40
AS 021P	(1" Pipe)	20	19	\$1,368.40
AS 022ODN	1 3/8"	20	20	\$1,217.70
AS 024OD	1 1/2"	20	33	\$1,466.30
AS 026ODN	1 5/8"	20	35	\$1,471.80
AS 027P	(1 1/4" Pipe)	20	35	\$1,822.70
AS 028OD	1 3/4"	20	37	\$1,887.60
AS 030ODP	(1 1/2" Pipe)	20	39	\$2,394.70
AS 032OD	2"	10	41	\$3,127.30
AS 034OD	2 1/8"	10	46	\$2,790.70
AS 038ODP	(2" Pipe)	10	47	\$3,235.10
AS 040OD	2 1/2"	10	49	\$3,342.90
AS 042OD	2 5/8"	5	51	\$3,158.10
AS 046ODP	(2 1/2" Pipe)	5	55	\$4,292.20
AS 048OD	3"	5	57	\$4,336.20
AS 050OD	3 1/8"	5	60	\$4,753.10
AS 056ODP	(3" Pipe)	5	55	\$6,696.80
AS 058OD	3 5/8"	5	70	\$6,880.50
AS 064ODP	(3 1/2" Pipe)	5	88	\$9,005.70
AS 066OD	4 1/8"	5	94	\$8,976.00
AS 072ODP	(4" Pipe)	5	110	\$14,091.00
AS 082OD	5 1/8"	5	125	\$19,785.70
AS 089P	(5" Pipe)	5	130	\$20,963.80
AS 098OD	6 1/8"	5	130	\$26,587.00
AS 106P	(6" Pipe)	5	140	\$27,305.30

This item sold in full box quantities.
 Service Temperature -65°F to 275°F.

CHANNEL

NUTS/HARDWARE

FITTINGS

PIPE/CONDUIT SUPPORTS

KLO-SHURE®

CONCRETE INSERTS

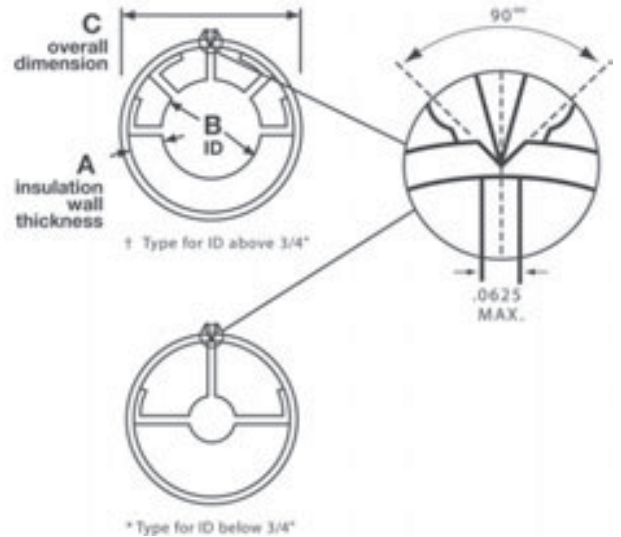
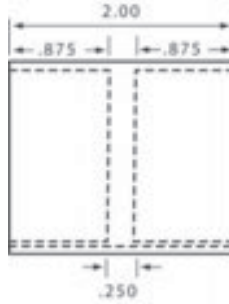
SPECIALTY STRUT

TECHNICAL DATA

SECTION 5 – KLO-SHURE®

KLO-SHURE® INSULATION COUPLING CLEVIS HANGER/RING HANGER

The Klo-Shure® coupling supports tubing and secures insulation where clevis hangers are used. Metal clevis hanger or ring hanger not included. Used by permission.



Discount Code F		Per 100 Pieces				
A	B	C				
Klo-Shure		Overall	Std.			
Part No.	ID	Dimension	Pkg.			
Klo-Shure	AS 03025	1/4" ID	1.12	40	\$532.40	
Clevis Hanger	AS 03037	3/8" ID	1.25	25	\$600.60	
Coupling for 3/8" wall insulation	AS 03050	1/2" ID	1.37	20	\$655.60	
	AS 03062	5/8" ID	1.50	20	\$737.00	
insulation	AS 03075	3/4" ID	1.62	15	\$818.40	
	AS 03087	7/8" ID	1.75	15	\$900.90	
	AS 03100	1" ID	1.87	15	\$955.90	
	AS 03112	1 1/8" ID	2.00	15	\$982.30	
	AS 03137	1 3/8" ID	2.25	15	\$1,118.70	
	AS 03162	1 5/8" ID	2.50	10	\$1,800.70	
	AS 03212	2 1/8" ID	3.00	10	\$2,687.30	
	Klo-Shure	AS 04037	3/8" ID	1.50	25	\$737.00
	Clevis Hanger	AS 04050	1/2" ID	1.62	20	\$818.40
	Coupling for 1/2" wall insulation	AS 04062	5/8" ID	1.75	20	\$872.30
AS 04075		3/4" ID	1.87	15	\$955.90	
insulation	AS 04087	7/8" ID	2.00	15	\$982.30	
	AS 04100	1" ID	2.12	15	\$1,050.50	
	AS 04112	1 1/8" ID	2.25	15	\$1,118.70	
	AS 04137	1 3/8" ID	2.50	15	\$1,800.70	
	AS 04162	1 5/8" ID	2.75	10	\$1,965.70	
	AS 04212	2 1/8" ID	3.25	10	\$2,756.60	
	AS 04262	2 5/8" ID	3.75	10	\$3,688.30	
	AS 04312	3 1/8" ID	4.25	10	\$3,820.30	
	AS 04362	3 5/8" ID	4.75	10	\$5,325.10	
	AS 04412	4 1/8" ID	5.25	10	\$6,963.00	

Discount Code F		Per 100 Pieces			
A	B	C			
Klo-Shure		Overall	Std.		
Part No.	ID	Dimension	Pkg.		
Klo-Shure	AS 06025	1/4" ID	1.87	20	\$955.90
Clevis Hanger	AS 06037	3/8" ID	2.00	20	\$1,023.00
Coupling for 3/4" wall insulation	AS 06050	1/2" ID	2.12	15	\$1,050.50
	AS 06062	5/8" ID	2.25	15	\$1,118.70
insulation	AS 06075	3/4" ID	2.37	15	\$1,800.70
	AS 06087	7/8" ID	2.50	10	\$1,965.70
	AS 06112	1 1/8" ID	2.75	10	\$2,101.00
	AS 06137	1 3/8" ID	3.00	10	\$2,687.30
	AS 06162	1 5/8" ID	3.25	10	\$2,756.60
	AS 06212	2 1/8" ID	3.75	10	\$3,688.30
	AS 06262	2 5/8" ID	4.25	10	\$3,820.30
	AS 06312	3 1/8" ID	4.75	10	\$5,325.10
	AS 06362	3 5/8" ID	5.25	10	\$6,963.00
	AS 06412	4 1/8" ID	5.75	10	\$11,056.10
Klo-Shure	AS 08062	5/8" ID	2.75	10	\$1,965.70
Clevis Hanger	AS 08087	7/8" ID	3.00	10	\$2,687.30
Coupling for 1" wall insulation	AS 08112	1 1/8" ID	3.75	10	\$2,756.60
	AS 08137	1 3/8" ID	3.50	10	\$2,795.10
insulation	AS 08162	1 5/8" ID	3.75	10	\$3,688.30
	AS 08212	2 1/8" ID	4.25	10	\$3,820.30
	AS 08262	2 5/8" ID	4.75	10	\$5,325.10
	AS 08312	3 1/8" ID	5.25	10	\$6,963.00
	AS 08362	3 5/8" ID	5.75	10	\$11,056.10

Note: Klo-Shure® ID equals copper tube OD.
Chart indicates coupling sizes currently available from Klo-Shure®.
Service Temperature -65°F to 275°F.

LEGEND:
GR: Painted Green
EG: Electro-Galvanized

PG: Pre-Galvanized
AL: Aluminum
HG: Hot Dipped Galvanized

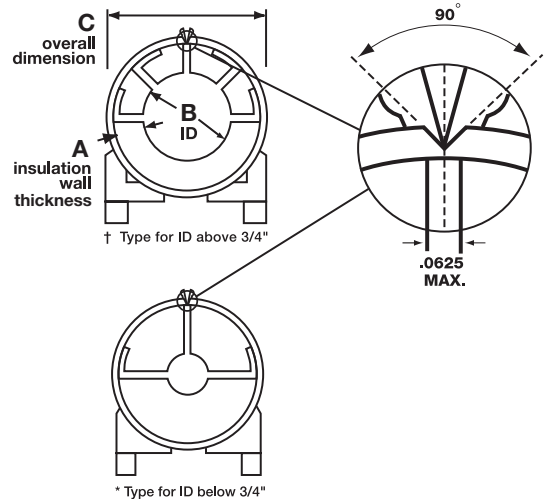
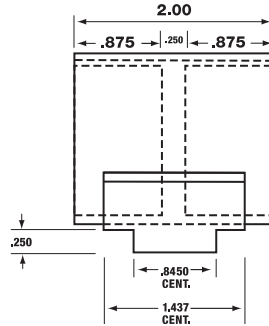
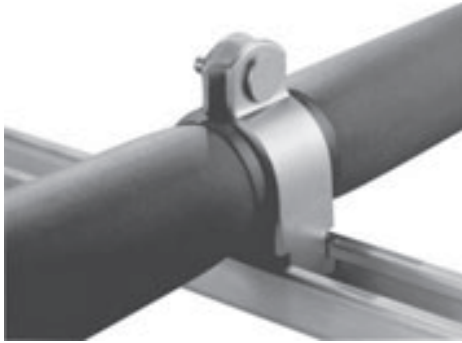
PL: Plain
SS: Stainless Steel
ZD: Zinc Dichromate



SECTION 5 – KLO-SHURE®

KLO-SHURE® STRUT MOUNTED INSULATION COUPLINGS WITH STRUT CLAMP

Klo-Shure® Strut Mounted parts include the Klo-Shure® Coupling, clamp halves with welded fastener and locknut.
 Used by permission.



Discount Code F		Per 100 Pieces			
A	B	C			
	Klo-Shure Part No.	Overall ID	Std. Dimension	Std. Pkg.	
Klo-Shure	AS 23025	¼" ID	1.12	40	\$818.40
Strut Mounted	AS 23037	⅜" ID	1.25	25	\$900.90
Coupling for	AS 23050	½" ID	1.37	20	\$1,023.00
⅜" wall	AS 23062	⅝" ID	1.50	20	\$1,105.50
insulation	AS 23075	¾" ID	1.62	15	\$1,214.40
	AS 23087	⅞" ID	1.75	15	\$1,310.10
	AS 23100	1" ID	1.87	15	\$1,472.90
	AS 23112	1 ⅛" ID	2.00	15	\$1,555.40
	AS 23137	1 ⅜" ID	2.25	15	\$1,746.80
	AS 23162	1 ⅝" ID	2.50	10	\$2,428.80
	AS 23212	2 ⅛" ID	3.00	10	\$2,756.60
Klo-Shure	AS 24037	⅜" ID	1.50	25	\$1,105.50
Strut Mounted	AS 24050	½" ID	1.62	20	\$1,214.40
Coupling for	AS 24062	⅝" ID	1.75	20	\$1,310.10
½" wall	AS 24075	¾" ID	1.87	15	\$1,472.90
insulation	AS 24087	⅞" ID	2.00	15	\$1,555.40
	AS 24100	1" ID	2.12	15	\$1,637.90
	AS 24112	1 ⅛" ID	2.25	15	\$1,746.80
	AS24137	1 ⅜" ID	2.50	15	\$2,428.80
	AS 24162	1 ⅝" ID	2.75	10	\$2,619.10
	AS 24212	2 ⅛" ID	3.25	10	\$3,438.60
	AS 24262	2 ⅝" ID	3.75	10	\$4,581.50
	AS 24312	3 ⅛" ID	4.25	10	\$4,779.50
	AS 24362	3 ⅝" ID	4.75	10	\$6,689.10
	AS 24412	4 ⅛" ID	5.25	10	\$8,666.90

Discount Code F		Per 100 Pieces			
A	B	C			
	Klo-Shure Part No.	Overall ID	Std. Dimension	Std. Pkg.	
Klo-Shure	AS 26025	¼" ID	1.87	20	\$1,472.90
Strut Mounted	AS 26037	⅜" ID	2.00	20	\$1,555.40
Coupling for	AS 26050	½" ID	2.12	15	\$1,637.90
¾" wall	AS 26062	⅝" ID	2.25	15	\$1,746.80
insulation	AS 26075	¾" ID	2.37	15	\$2,086.70
	AS 26087	⅞" ID	2.50	10	\$2,414.50
	AS 26112	1 ⅛" ID	2.75	10	\$2,619.10
	AS 26137	1 ⅜" ID	3.00	10	\$2,756.60
	AS 26162	1 ⅝" ID	3.25	10	\$3,438.60
	AS 26212	2 ⅛" ID	3.75	10	\$4,581.50
	AS 26262	2 ⅝" ID	4.25	10	\$4,779.50
	AS 26312	3 ⅛" ID	4.75	10	\$6,689.10
	AS 26362	3 ⅝" ID	5.25	10	\$8,666.90
	AS 26412	4 ⅛" ID	5.75	10	\$13,850.10
Klo-Shure	AS 28062	⅝" ID	2.75	10	\$2,619.10
Strut Mounted	AS 28087	⅞" ID	3.00	10	\$2,756.60
Coupling for	AS 28112	1 ⅛" ID	3.75	10	\$3,438.60
1" wall	AS 28137	1 ⅜" ID	3.50	10	\$3,522.20
insulation	AS 28162	1 ⅝" ID	3.75	10	\$4,581.50
	AS 28212	2 ⅛" ID	4.25	10	\$4,704.70
	AS 28262	2 ⅝" ID	4.75	10	\$6,689.10
	AS 28312	3 ⅛" ID	5.25	10	\$8,666.90
	AS 28362	3 ⅝" ID	5.75	10	\$13,850.10

Note: Klo-Shure® ID equals copper tube OD. Chart indicates coupling sizes currently available from Klo-Shure®.
 Service Temperature -65°F to 275°F.

SECTION 6 – CONCRETE INSERTS

**FIG. 152
SCREW
CONCRETE
INSERT**

Specify Rod Size.
Size Range 3/8" thru 7/8".



Part No. Fig. 152	For Prices, See Anvil International Pipe Hanger List Price Sheet.
-----------------------------	--

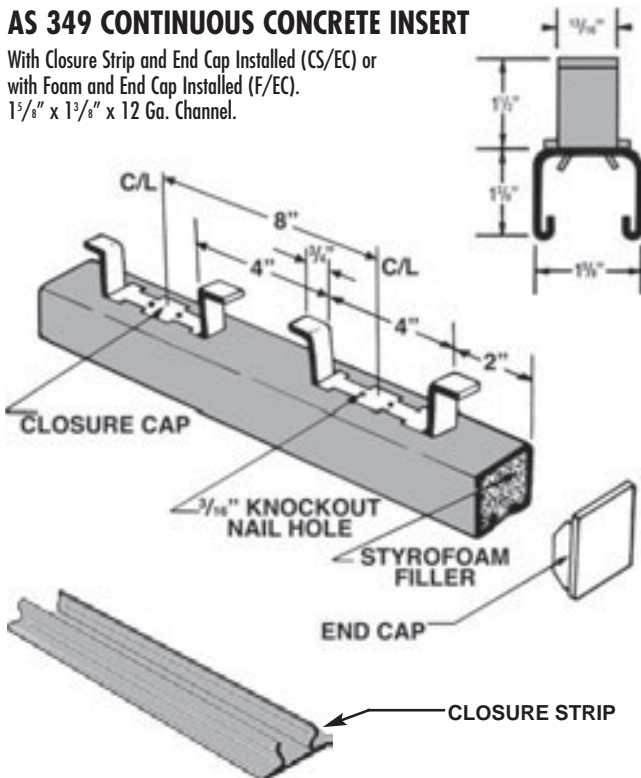
**FIG. 285
LIGHT WEIGHT
CONCRETE INSERT**



Part No. Fig. 285	For Prices, See Anvil International Pipe Hanger List Price Sheet.
-----------------------------	--

AS 349 CONTINUOUS CONCRETE INSERT

With Closure Strip and End Cap Installed (CS/EC) or
with Foam and End Cap Installed (F/EC).
1 3/8" x 1 3/8" x 12 Ga. Channel.



Discount Code E				Per 100 Ft.	
Part No.	End Cap	Std. Pkg.	Wt.	PL	PG
AS 349 CS/EC 10	A	400	180	\$1,430.00	\$1,611.50
AS 349 CS/EC 20	A	800	180	\$1,430.00	\$1,611.50
AS 349 F/EC 10	A	400	188	\$1,504.80	\$1,556.50
AS 349 F/EC 20	A	800	188	\$1,504.80	\$1,556.50

Load Rating 2000 lbs. Per 12" Section, Based Upon Concrete Compressive Strength of 2500–3000 PSI.

Custom lengths available upon request.

LEGEND:
GR: Painted Green
EG: Electro-Galvanized

PG: Pre-Galvanized
AL: Aluminum
HG: Hot Dipped Galvanized

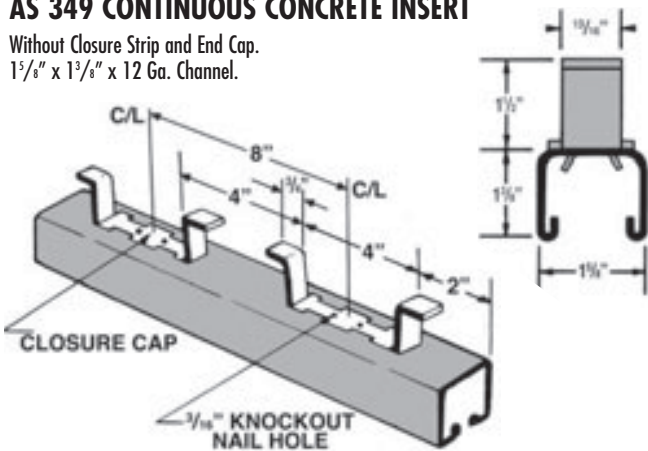
PL: Plain
SS: Stainless Steel
ZD: Zinc Dichromate



SECTION 6 – CONCRETE INSERTS

AS 349 CONTINUOUS CONCRETE INSERT

Without Closure Strip and End Cap.
 1 5/8" x 1 3/8" x 12 Ga. Channel.

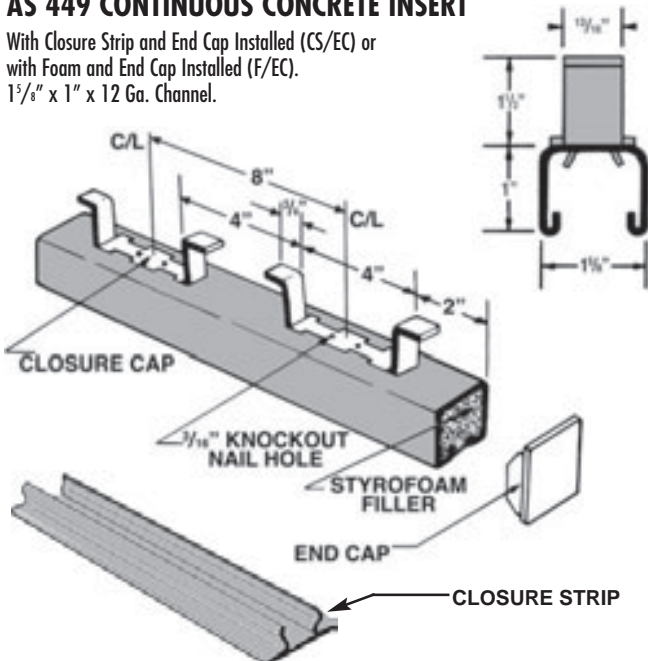


Discount Code E			Per 100 Ft.	
Part No.	Std. Pkg.	Wt.	PL	PG
AS 349 W/O 10	400	178	\$1,100.00	\$1,294.70
AS 349 W/O 20	800	178	\$1,294.70	\$1,294.70

Load Rating 2000 lbs. Per 12" Section, Based Upon Concrete Compressive Strength of 2500–3000 PSI.
 Custom lengths available upon request.

AS 449 CONTINUOUS CONCRETE INSERT

With Closure Strip and End Cap Installed (CS/EC) or
 with Foam and End Cap Installed (F/EC).
 1 5/8" x 1" x 12 Ga. Channel.

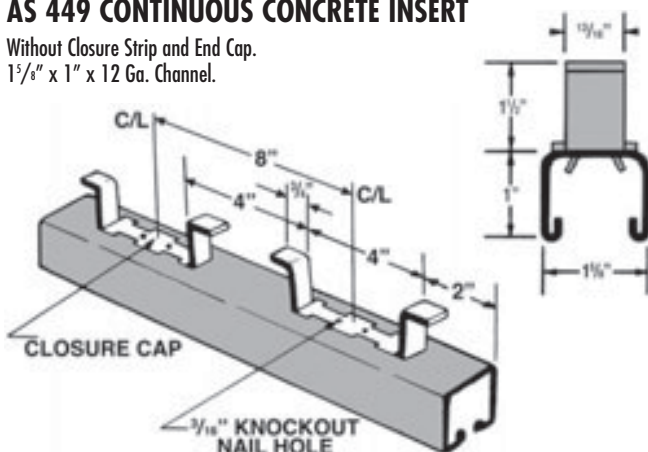


Discount Code E			Per 100 Ft.		
Part No.	End Cap	Std. Pkg.	Wt.	PL	PG
AS 449 CS/EC 10	A	400	152	\$1,164.90	\$1,199.00
AS 449 CS/EC 20	A	800	152	\$1,164.90	\$1,199.00
AS 449 F/EC 10	A	400	162	\$1,322.20	\$1,335.40
AS 449 F/EC 20	A	800	162	\$1,322.20	\$1,335.40

Load Rating 2000 lbs. Per 12" Section, Based Upon Concrete Compressive Strength of 2500–3000 PSI.
 Custom lengths available upon request.

AS 449 CONTINUOUS CONCRETE INSERT

Without Closure Strip and End Cap.
 1 5/8" x 1" x 12 Ga. Channel.



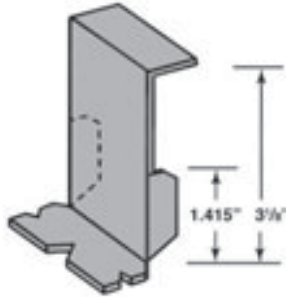
Discount Code E			Per 100 Ft.	
Part No.	Std. Pkg.	Wt.	PL	PG
AS 449 W/O 10	400	151	\$1,268.30	\$1,369.50
AS 449 W/O 20	800	151	\$1,268.30	\$1,369.50

Load Rating 2000 lbs. Per 12" Section, Based Upon Concrete Compressive Strength of 2500–3000 PSI.
 Custom lengths available upon request.

SECTION 6 – CONCRETE INSERTS

**AS 653
TYPE "B"
END CAP**

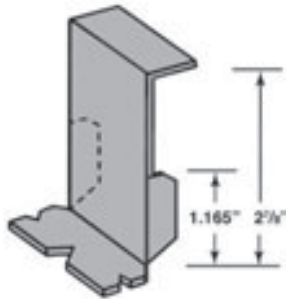
Use With AS 349 Insert.



Discount Code D		Per 100 Pieces	
Part No.	Std. Pkg.	Wt.	PG
AS 653	100	14	\$293.70

**AS 654
TYPE "B"
END CAP**

Use With AS 449 Insert.



Discount Code D		Per 100 Pieces	
Part No.	Std. Pkg.	Wt.	PG
AS 654	50	12	\$336.60

**FIG. 284
CONCRETE
DECK INSERT**

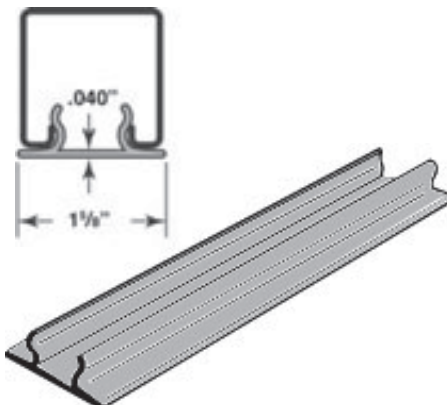
Size Range 3/8" thru 5/8".



Part No.	For Prices, See Anvil International Fig. 284
	Pipe Hanger List Price Sheet.

**AS 6151
PLASTIC
CLOSURE
STRIP**

Use With All Continuous Inserts 10 Ft. Length.

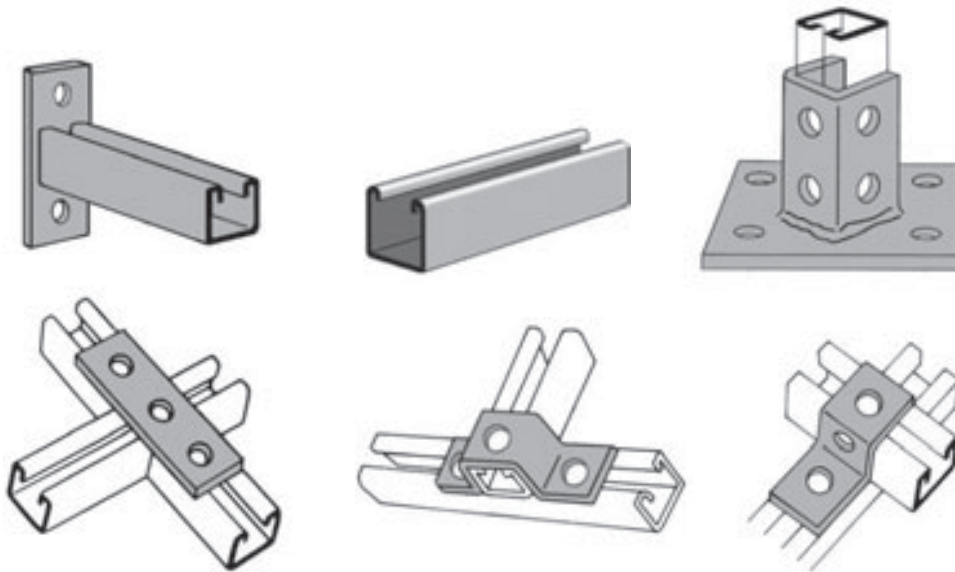


Discount Code A		Per 100 Ft.	
Part No.	Std. Pkg.	Wt.	PL
AS 6151 10	100	47	\$911.90

SECTION 7 – SPECIALTY STRUT

**SPECIALTY STRUT
CHANNELS & ACCESSORIES**

Stainless Steel • Zinc Dichromate • Hot Dipped Galvanized



Due to the volatile nature of the products listed in the “Specialty Strut” Section, prices are subject to change without notice. Contact your local Anvil Representative or local Anvil office for current list price.

SECTION 7 – SPECIALTY STRUT

AS 200 SS BEAM AND COLUMN LOADS

Span or Column (In.)	Anvil-Strut™ Catalog No.	Max Load of Column Loaded @ C.G. (Lbs.)	Static Beam Load (X-X Axis)			
			Allowable Uniform Load @ 25,000 PSI (Lbs.)	Deflection @ 25,000 PSI (In.)	Uniform Load @ L/240 (Lbs.)	Uniform Load @ L/360 (Lbs.)
12	AS 200 SS	7,109	3,249	0.014	**	**
	AS 200 BTB SS	14,862	2,610 ***	0.008	**	**
18	AS 200 SS	6,549	2,166	0.031	**	**
	AS 200 BTB SS	14,402	2,610 ***	0.018	**	**
24	AS 200 SS	5,938	1,625	0.055	**	**
	AS 200 BTB SS	13,919	2,610 ***	0.032	**	**
30	AS 200 SS	5,337	1,300	0.086	**	1,257
	AS 200 BTB SS	13,473	2,610 ***	0.050	**	**
36	AS 200 SS	4,771	1,083	0.124	**	873
	AS 200 BTB SS	13,090	2,610 ***	0.072	**	**
42	AS 200 SS	4,242	928	0.169	**	641
	AS 200 BTB SS	12,771	2,610 ***	0.099	**	**
48	AS 200 SS	3,745	812	0.220	737	491
	AS 200 BTB SS	12,511	1,374	0.129	**	**
60	AS 200 SS	3,012	650	0.344	471	314
	AS 200 BTB SS	11,685	1,899	0.202	**	1,566
72	AS 200 SS	2,514	542	0.496	327	218
	AS 200 BTB SS	10,078	1,582	0.291	**	1,087
84	AS 200 SS	2,136	464	0.675	240	160
	AS 200 BTB SS	8,180	1,356	0.396	1,199	799
96	AS 200 SS	1,834	406	0.882	184	123
	AS 200 BTB SS	6,291	1,187	0.517	917	611
108	AS 200 SS	1,585	361	1.116	145	97
	AS 200 BTB SS	4,971	1,055	0.655	725	483
120	AS 200 SS	*	325	1.378	117	78
	AS 200 BTB SS	4,026	949	0.808	587	391
180	AS 200 SS	*	217	3.099	52	35
	AS 200 BTB SS	*	633	1.819	261	174
240	AS 200 SS	*	163	5.510	29	19
	AS 200 BTB SS	*	474	3.233	147	98

For Beam and Column Loading Data and load reduction information for channel with holes and concentrated loads, see notes on page 16.

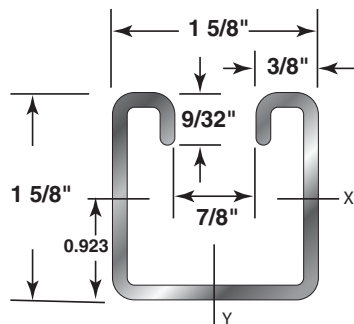
AS 200 SS

1⁵/₈" x 1⁵/₈"

12 Gauge Channel
wt./100 ft. - 194#

Stocked in 304 Stainless Steel, in both 10 & 20 ft. lengths.

*316 Stainless Steel available upon request.



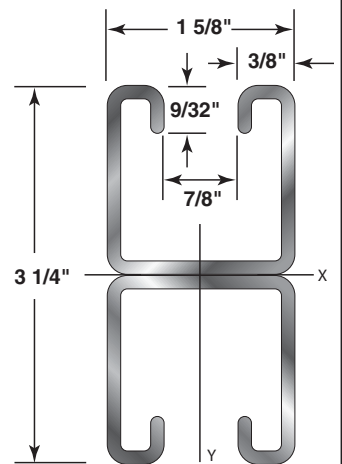
AS 200BTB SS

3¹/₄" x 1⁵/₈"

12 Gauge Back-to-Back
wt./100 ft. - 388#

Stocked in 304 Stainless Steel, in both 10 & 20 ft. lengths.

*316 Stainless Steel available upon request.



PROPERTIES OF SECTION

Wt./Ft. Lbs.	Area of Section Sq. In.	X-X Axis			Y-Y Axis			
		I in ⁴	S in ³	r in.	I in ⁴	S in ³	r in.	
AS 200 SS	1.94	0.544	0.180	0.195	0.575	0.233	0.287	0.655
AS 200BTB SS	3.88	1.088	0.896	0.570	0.908	0.466	0.574	0.655

I = Moment of Inertia S = Section Modulus r = Radius of Gyration

SECTION 7 – SPECIALTY STRUT

AS 210 SS BEAM AND COLUMN LOADS

Span or Column (In.)	Anvil-Strut™ Catalog No.	Max Load of Column Loaded @ C.G. (Lbs.)	Static Beam Load (X-X Axis)			
			Allowable Uniform Load @ 25,000 PSI (Lbs.)	Deflection @ 25,000 PSI (In.)	Uniform Load @ L/240 (Lbs.)	Uniform Load @ L/360 (Lbs.)
12	AS 210 SS	5,548	2,631	0.014	**	**
	AS 210 BTB SS	11,600	1,750 ***	0.008	**	**
18	AS 210 SS	5,066	1,754	0.032	**	**
	AS 210 BTB SS	11,210	1,750 ***	0.018	**	**
24	AS 210 SS	4,473	1,316	0.056	**	**
	AS 210 BTB SS	10,738	1,750 ***	0.032	**	**
30	AS 210 SS	3,817	1,052	0.088	**	1,001
	AS 210 BTB SS	10,230	1,750 ***	0.050	**	**
36	AS 210 SS	3,141	877	0.126	**	695
	AS 210 BTB SS	9,722	1,750 ***	0.072	**	**
42	AS 210 SS	2,546	752	0.172	**	511
	AS 210 BTB SS	9,239	1,750 ***	0.098	**	**
48	AS 210 SS	2,148	658	0.224	**	391
	AS 210 BTB SS	8,796	1,750 ***	0.128	**	**
60	AS 210 SS	1,659	526	0.350	**	250
	AS 210 BTB SS	8,046	1,482	0.200	**	1,234
72	AS 210 SS	1,370	439	0.504	**	174
	AS 210 BTB SS	7,466	1,235	0.288	**	857
84	AS 210 SS	1,174	376	0.687	**	128
	AS 210 BTB SS	6,528	1,058	0.392	**	629
96	AS 210 SS	1,028	329	0.897	**	98
	AS 210 BTB SS	5,042	926	0.512	**	482
108	AS 210 SS	911	292	1.135	**	77
	AS 210 BTB SS	3,983	823	0.649	**	381
120	AS 210 SS	*	263	1.401	**	63
	AS 210 BTB SS	3,227	741	0.801	**	308
180	AS 210 SS	*	175	3.153	**	28
	AS 210 BTB SS	1,434	494	1.802	**	137
240	AS 210 SS	*	132	5.605	**	16
	AS 210 BTB SS	*	370	3.203	**	77

For Beam and Column Loading Data and load reduction information for channel with holes and concentrated loads, see notes on page 16.

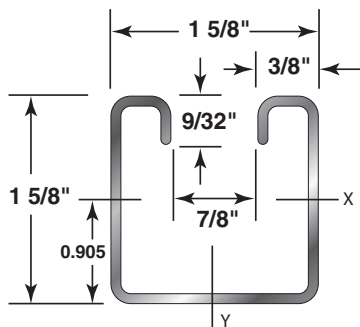
AS 210 SS

1 5/8" x 1 5/8"

14 Gauge Channel
wt./100 ft. - 145#

Stocked in 304 Stainless Steel, in both 10 & 20 ft. lengths.

*316 Stainless Steel available upon request.



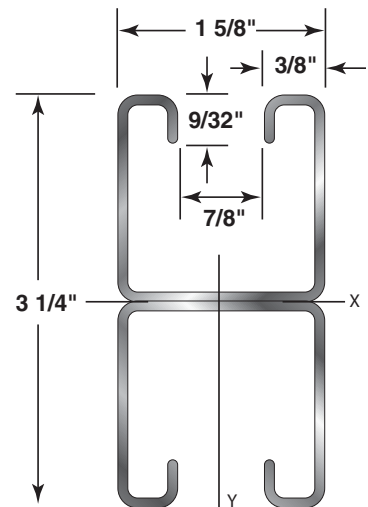
AS 210BTB SS

3 1/4" x 1 5/8"

14 Gauge Back-to-Back
wt./100 ft. - 290#

Stocked in 304 Stainless Steel, in both 10 & 20 ft. lengths.

*316 Stainless Steel available upon request.



PROPERTIES OF SECTION

	Wt./Ft. Lbs.	Area of Section Sq. In.	X-X Axis			Y-Y Axis		
			I in ⁴	S in ³	r in.	I in ⁴	S in ³	r in.
AS 210 SS	1.45	0.407	0.143	0.158	0.593	0.179	0.221	0.664
AS 210BTB SS	2.90	0.814	0.706	0.445	0.931	0.359	0.441	0.664

I = Moment of Inertia S = Section Modulus r = Radius of Gyration

SECTION 7 – SPECIALTY STRUT

AS 500 SS BEAM AND COLUMN LOADS

Span or Column (In.)	Anvil-Strut™ Catalog No.	Max Load of Column Loaded @ C.G. (Lbs.)	Static Beam Load (X-X Axis)			
			Allowable Uniform Load @ 25,000 PSI (Lbs.)	Deflection @ 25,000 PSI (In.)	Uniform Load @ L/240 (Lbs.)	Uniform Load @ L/360 (Lbs.)
12	AS 500 SS	3,598	887	0.027	**	**
	AS 500 BTB SS	7,434	870 ***	0.016	**	**
18	AS 500 SS	3,340	591	0.060	**	493
	AS 500 BTB SS	7,140	870 ***	0.037	**	**
24	AS 500 SS	3,086	444	0.106	416	277
	AS 500 BTB SS	6,867	870 ***	0.066	**	**
30	AS 500 SS	2,854	355	0.166	266	177
	AS 500 BTB SS	6,642	870 ***	0.102	**	806
36	AS 500 SS	2,645	296	0.240	185	123
	AS 500 BTB SS	6,466	826	0.147	**	559
42	AS 500 SS	2,449	254	0.327	136	91
	AS 500 BTB SS	6,331	708	0.201	617	411
48	AS 500 SS	2,259	222	0.427	104	69
	AS 500 BTB SS	6,228	619	0.262	472	315
60	AS 500 SS	*	177	0.667	66	44
	AS 500 BTB SS	5,648	496	0.410	302	201
72	AS 500 SS	*	148	0.960	46	31
	AS 500 BTB SS	4,711	413	0.590	210	140
84	AS 500 SS	*	127	1.037	34	23
	AS 500 BTB SS	3,623	354	0.803	154	103
96	AS 500 SS	*	111	1.707	26	17
	AS 500 BTB SS	*	310	1.049	118	79
108	AS 500 SS	*	99	2.160	21	14
	AS 500 BTB SS	*	275	1.328	93	62
120	AS 500 SS	*	89	2.668	17	11
	AS 500 BTB SS	*	248	1.640	76	51
180	AS 500 SS	*	59	6.003	7	5
	AS 500 BTB SS	*	165	3.689	34	23
240	AS 500 SS	*	44	10.672	4	3
	AS 500 BTB SS	*	124	6.560	19	13

For Beam and Column Loading Data and load reduction information for channel with holes and concentrated loads, see notes on page 16.

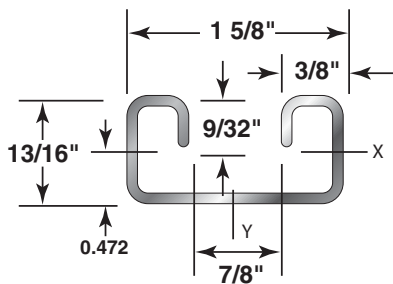
AS 500 SS

1³/₁₆" x 1⁵/₈"

14 Gauge Channel
wt./100 ft. - 103#

Stocked in 304 Stainless Steel, in both 10 & 20 ft. lengths.

*316 Stainless Steel available upon request.



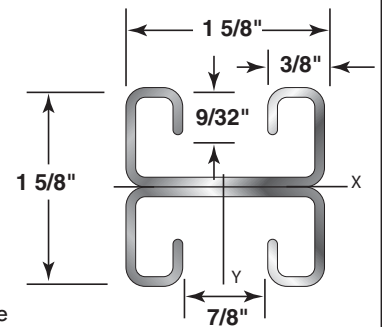
AS 500BTB SS

1⁵/₈" x 1⁵/₈"

14 Gauge Back-to-Back
wt./100 ft. - 206#

Stocked in 304 Stainless Steel, in both 10 & 20 ft. lengths.

*316 Stainless Steel available upon request.



PROPERTIES OF SECTION

	Wt./Ft. Lbs.	Area of Section Sq. In.	X-X Axis			Y-Y Axis		
			I in ⁴	S in ³	r in.	I in ⁴	S in ³	r in.
AS 500 SS	1.03	0.286	0.025	0.053	0.298	0.106	0.131	0.610
AS 500BTB SS	2.06	0.571	0.115	0.149	0.449	0.213	0.262	0.610

I = Moment of Inertia S = Section Modulus r = Radius of Gyration

LEGEND:
GR: Painted Green
EG: Electro-Galvanized

PG: Pre-Galvanized
AL: Aluminum
HG: Hot Dipped Galvanized

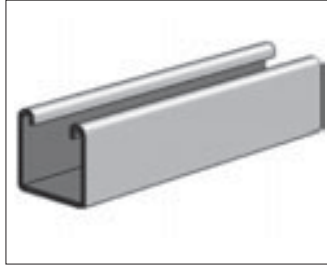
PL: Plain
SS: Stainless Steel
ZD: Zinc Dichromate



SECTION 7 – SPECIALTY STRUT

AS 200 SS/ZD/HG CHANNEL

1 5/8" x 1 5/8" x 12 Ga.

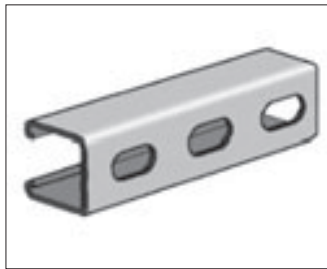


Discount Code AA			Per 100 Ft.		
Part No.	Std. Pkg	Wt.	SS	ZD	HG
AS 200 10	500'	190	\$3,500.20	\$897.60	\$1,092.30
AS 200 20	500'	190	\$3,500.20	\$897.60	\$1,092.30

SS - Type 304 Stainless.

AS 200EH SS/ZD/HG CHANNEL WITH ELONGATED HOLES

9/16" x 1 1/8" Elongated Holes
 On 2" Centers
 1 5/8" x 1 5/8" x 12 Ga.

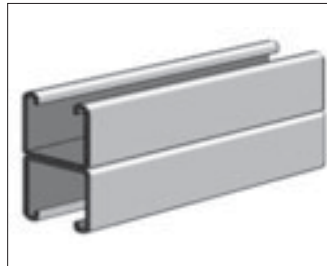


Discount Code AA			Per 100 Ft.		
Part No.	Std. Pkg	Wt.	SS	ZD	HG
AS 200EH 10	500'	185	\$3,549.70	\$897.60	\$1,092.30
AS 200EH 20	500'	185	\$3,549.70	\$897.60	\$1,092.30

SS - Type 304 Stainless.

AS 200BTB SS/ZD/HG WELDED CHANNEL SOLID

Two Pcs. AS 200 Welded Back To Back
 1 5/8" x 3 3/4" x 12 Ga.

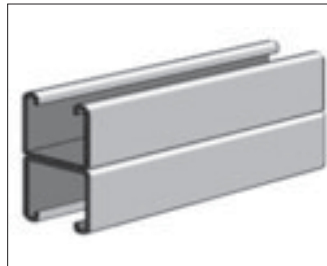


Discount Code AA			Per 100 Ft.		
Part No.	Std. Pkg	Wt.	SS	ZD	HG
AS 200BTB 10	250'	380	\$8,250.00	\$2,418.90	\$2,535.50
AS 200BTB 20	300'	380	\$8,250.00	\$2,418.90	\$2,535.50

SS - Type 304 Stainless.

AS 200BTB EH SS/ZD/HG WELDED CHANNEL WITH ELONGATED HOLES

Two Pcs. AS 200EH Welded Back To Back
 9/16" x 1 1/8" Elongated Holes
 On 2" Centers
 1 5/8" x 3 3/4" x 12 Ga.



Discount Code AA			Per 100 Ft.		
Part No.	Std. Pkg	Wt.	SS	ZD	HG
AS 200BTB EH 10	250'	380	POA	\$2,504.70	POA
AS 200BTB EH 20	300'	380	POA	\$2,504.70	POA

SS - Type 304 Stainless.

CHANNEL

NUTS/HARDWARE

FITTINGS

PIPE/CONDUIT SUPPORTS

KLO-SHURE®

CONCRETE INSERTS

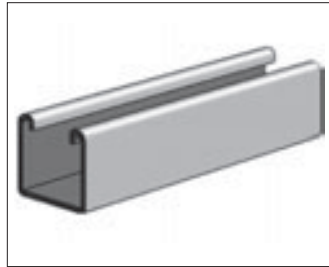
SPECIALTY STRUT

TECHNICAL DATA

SECTION 7 – SPECIALTY STRUT

AS 210 SS/ZD/HG CHANNEL

1 5/8" x 1 3/8" x 14 Ga.

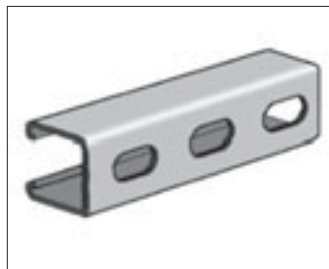


Discount Code AA			Per 100 Ft.		
Part No.	Std. Pkg	Wt.	SS	ZD	HG
AS 210 10	500'	141	\$3,250.50	POA	POA
AS 210 20	500'	141	\$3,250.50	POA	POA

SS - Type 304 Stainless.

AS 210EH SS/ZD/HG CHANNEL WITH ELONGATED HOLES

9/16" x 1 1/8" Elongated Holes
On 2" Centers
1 5/8" x 1 3/8" x 14 Ga.

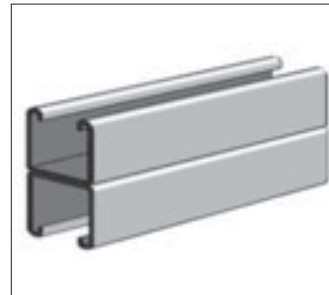


Discount Code AA			Per 100 Ft.		
Part No.	Std. Pkg	Wt.	SS	ZD	HG
AS 210EH 10	500'	137	\$3,300.00	POA	POA
AS 210EH 20	500'	137	\$3,300.00	POA	POA

SS - Type 304 Stainless.

AS 210BTB SS/ZD/HG WELDED CHANNEL

Two Pcs. AS 210 Welded
Back To Back
1 5/8" x 3 1/4" x 14 Ga.



Discount Code AA			Per 100 Ft.		
Part No.	Std. Pkg	Wt.	SS	ZD	HG
AS 210BTB 10	250'	282	\$7,350.20	POA	POA
AS 210BTB 20	300'	282	\$7,350.20	POA	POA

SS - Type 304 Stainless.

LEGEND:
GR: Painted Green
EG: Electro-Galvanized

PG: Pre-Galvanized
AL: Aluminum
HG: Hot Dipped Galvanized

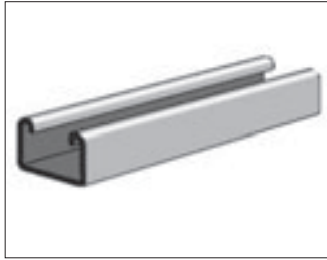
PL: Plain
SS: Stainless Steel
ZD: Zinc Dichromate



SECTION 7 – SPECIALTY STRUT

AS 500 SS/ZD/HG CHANNEL

1 5/8" x 1 3/16" x 14 Ga.

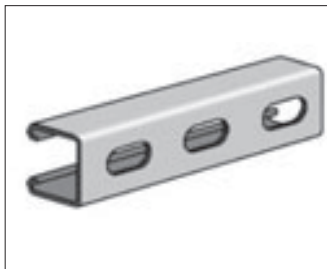


Discount Code AA			Per 100 Ft.		
Part No.	Std. Pkg	Wt.	SS	ZD	HG
AS 500 10	500'	97	\$2,300.10	\$608.30	\$701.80
AS 500 20	500'	97	\$2,300.10	\$608.30	\$701.80

SS - Type 304 Stainless.

AS 500EH SS/ZD/HG CHANNEL WITH ELONGATED HOLES

3/16" x 1 1/8" Elongated Holes
 On 2" Centers
 1 5/8" x 1 3/16" x 14 Ga.

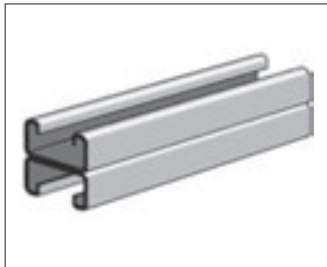


Discount Code AA			Per 100 Ft.		
Part No.	Std. Pkg	Wt.	SS	ZD	HG
AS 500EH 10	500'	87	\$2,349.60	\$608.30	\$701.80
AS 500EH 20	500'	87	\$2,349.60	\$608.30	\$701.80

SS - Type 304 Stainless.

AS 500BTB SS/ZD/HG WELDED CHANNEL

Two Pcs. AS 500 Welded Back To Back
 1 5/8" x 1 3/16" x 14 Ga.



Discount Code AA			Per 100 Ft.		
Part No.	Std. Pkg	Wt.	SS	ZD	HG
AS 500BTB 10	250'	194	\$5,549.50	\$1,849.10	POA
AS 500BTB 20	300'	194	\$5,549.50	\$1,849.10	POA

SS - Type 304 Stainless.

CHANNEL

NUTS/HARDWARE

FITTINGS

PIPE/CONDUIT SUPPORTS

KLO-SHURE®

CONCRETE INSERTS

SPECIALTY STRUT

TECHNICAL DATA

SECTION 7 – SPECIALTY STRUT

AS NS SS/ZD CLAMPING NUT WITHOUT SPRING

Use With All 1 5/8" Wide Channel.



Discount Code A				Per 100 Pieces	
Part No.	Size	Std. Pkg.	Wt.	SS	ZD
AS NS	1/4" x 20	100	6.6	\$1,031.80	\$194.70
AS NS	3/8" x 16	100	9.3	\$1,237.50	\$202.40
AS NS	1/2" x 13	100	11.4	\$1,512.50	\$234.30
AS NS	5/8" x 11	100	15.2	POA	\$429.00

SS - Type 316 Stainless.
Hot Dipped Galvanized available upon request.

AS RS SS/ZD CLAMPING NUT WITH REGULAR SPRING

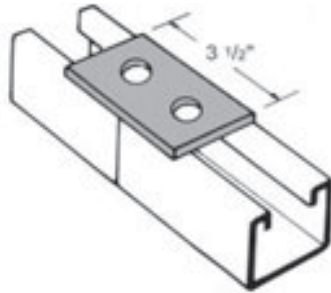
Use With AS 200, AS 210 and AS 300 Channel.



Discount Code A				Per 100 Pieces	
Part No.	Size	Std. Pkg.	Wt.	SS	ZD
AS RS	1/4" x 20	100	7.1	\$1,031.80	\$194.70
AS RS	3/8" x 16	100	9.9	\$1,329.90	\$202.40
AS RS	1/2" x 13	100	11.9	\$1,625.80	\$234.30
AS RS	5/8" x 11	100	15.5	POA	\$429.00
AS RS	3/4" x 10	100	13.8	POA	\$522.72

SS - Type 316 Stainless.
Hot Dipped Galvanized available upon request.

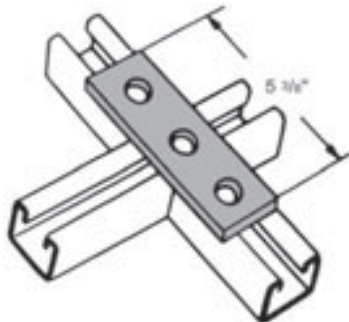
AS 601 ZD TWO HOLE SPLICE PLATE



Discount Code D			Per 100 Pieces	
Part No.	Std. Pkg.	Wt.	ZD	
AS 601	50	38	\$325.60	

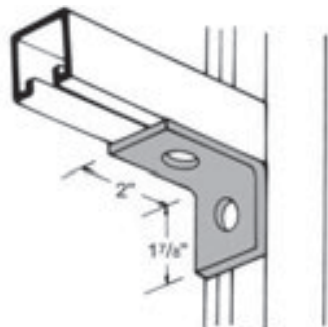
For Load Rating, see page 104.

AS 602 ZD THREE HOLE SPLICE PLATE



Discount Code D			Per 100 Pieces	
Part No.	Std. Pkg.	Wt.	ZD	
AS 602	25	50	\$478.50	

AS 603 ZD TWO HOLE END ANGLE



Discount Code D			Per 100 Pieces	
Part No.	Std. Pkg.	Wt.	ZD	
AS 603	50	38	\$344.30	

For Load Rating, see page 104.

LEGEND:
GR: Painted Green
EG: Electro-Galvanized

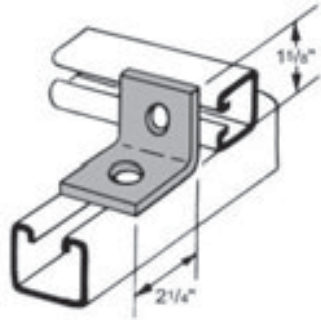
PG: Pre-Galvanized
AL: Aluminum
HG: Hot Dipped Galvanized

PL: Plain
SS: Stainless Steel
ZD: Zinc Dichromate



SECTION 7 – SPECIALTY STRUT

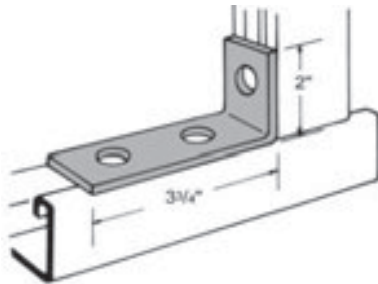
**AS 604 ZD
 TWO HOLE
 CORNER ANGLE**



Discount Code D			Per 100 Pieces
Part No.	Std. Pkg.	Wt.	ZD
AS 604	50	38	\$344.30

For Load Rating, see page 104.

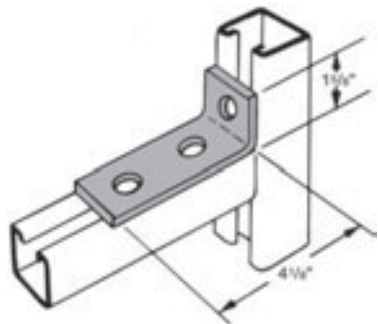
**AS 605 ZD
 THREE HOLE
 CORNER ANGLE**



Discount Code D			Per 100 Pieces
Part No.	Std. Pkg.	Wt.	ZD
AS 605	25	58	\$550.00

For Load Rating, see page 104.

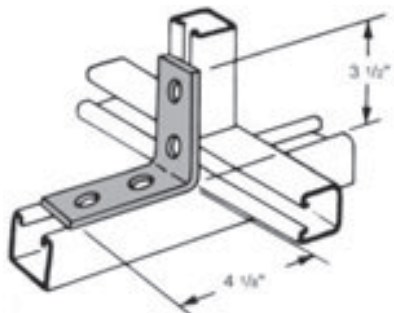
**AS 606 ZD
 THREE HOLE
 CORNER ANGLE**



Discount Code D			Per 100 Pieces
Part No.	Std. Pkg.	Wt.	ZD
AS 606	25	58	\$550.00

For Load Rating, see page 104.

**AS 607 ZD
 FOUR HOLE
 CORNER ANGLE**

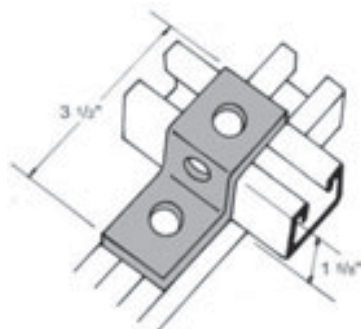


Discount Code D			Per 100 Pieces
Part No.	Std. Pkg.	Wt.	ZD
AS 607	25	78	\$649.00

For Load Rating, see page 104.

**AS 611 ZD
 "Z" SUPPORT**

Use With AS 200, AS 210,
 and AS 500BTB.



Discount Code D			Per 100 Pieces
Part No.	Std. Pkg.	Wt.	ZD
AS 611	50	55	\$848.10

CHANNEL

NUTS/HARDWARE

FITTINGS

PIPE/CONDUIT SUPPORTS

KLO-SHURE®

CONCRETE INSERTS

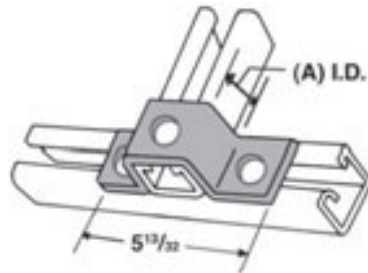
SPECIALTY STRUT

TECHNICAL DATA

SECTION 7 – SPECIALTY STRUT

AS 613 ZD "U" SUPPORT

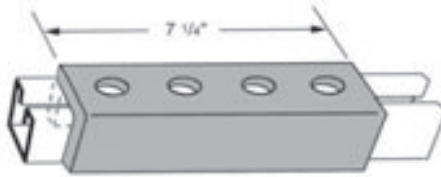
Use With AS 200, AS 210,
and AS 500BTB.



Discount Code D				Per 100 Pieces	
Part No.	A	Std. Pkg.	Wt.	ZD	
AS 613	1 5/8"	25	88	\$994.40	

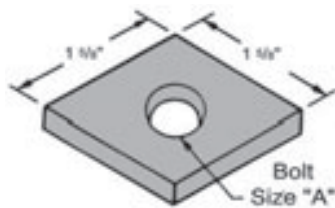
AS 616 ZD FOUR HOLE SPLICE CLEVIS

Use With AS 200 and
AS 210.



Discount Code D				Per 100 Pieces	
Part No.	Std. Pkg.	Wt.	ZD		
AS 616	10	265	\$2,201.10		

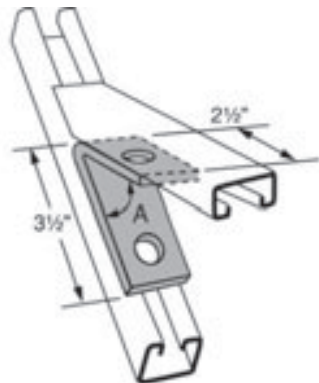
AS 619 SS/ZD SQUARE WASHER



Discount Code A				Per 100 Pieces		
Part No.	A	Std. Pkg.	Wt.	SS	ZD	
AS 619	3/8"	100	18	\$679.80	\$169.40	
AS 619	1/2"	100	17	\$679.80	\$169.40	
AS 619	5/8"	100	16	\$865.70	\$216.70	
AS 619	3/4"	100	15	\$1,192.40	\$298.10	

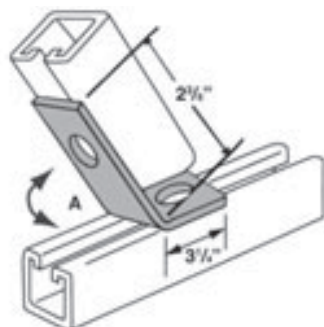
SS - Type 304 Stainless.

AS 624 ZD TWO HOLE CLOSED ANGLE CONNECTOR



Discount Code D				Per 100 Pieces	
Part No.	Angle A	Std. Pkg.	Wt.	ZD	
AS 624	45°	25	58	\$662.20	

AS 633 ZD TWO HOLE OPEN ANGLE CONNECTOR



Discount Code D				Per 100 Pieces	
Part No.	Angle A	Std. Pkg.	Wt.	ZD	
AS 633	45°	25	58	\$662.20	

LEGEND:
GR: Painted Green
EG: Electro-Galvanized

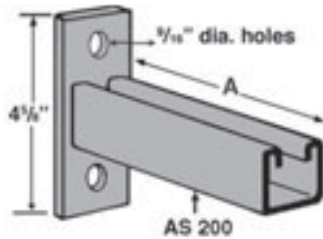
PG: Pre-Galvanized
AL: Aluminum
HG: Hot Dipped Galvanized

PL: Plain
SS: Stainless Steel
ZD: Zinc Dichromate



SECTION 7 – SPECIALTY STRUT

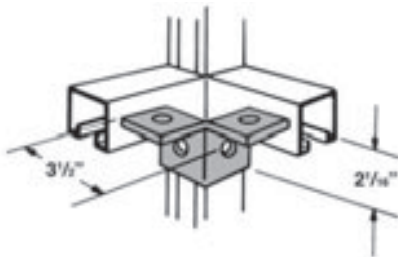
**AS 651 ZD
 REVERSIBLE
 STRUT BRACKET**



Discount Code D		Per 100 Pieces			
Part No.	A	*Uniform Load	Std. Pkg.	Wt.	ZD
AS 651	12"	600	Bulk	293	\$4,737.70
AS 651	18"	400	Bulk	401	\$6,229.30
AS 651	24"	300	Bulk	509	\$6,593.40

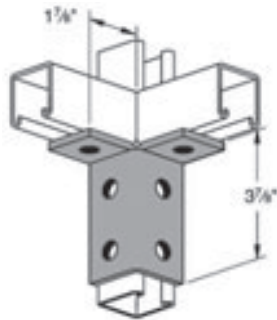
* Mounted On 12 Ga. Channel.

**AS 665 ZD
 FOUR HOLE
 DOUBLE CORNER
 CONNECTOR**



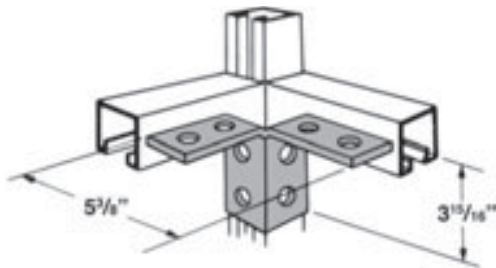
Discount Code D		Per 100 Pieces		
Part No.	Std. Pkg.	Wt.	ZD	
AS 665	25	76	\$1,294.70	

**AS 666 ZD
 SIX HOLE
 DOUBLE
 CORNER
 CONNECTOR**



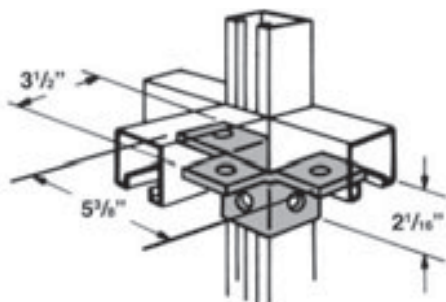
Discount Code D		Per 100 Pieces		
Part No.	Std. Pkg.	Wt.	ZD	
AS 666	25	115	\$1,681.90	

**AS 667 ZD
 EIGHT HOLE
 DOUBLE
 CORNER
 CONNECTOR**



Discount Code D		Per 100 Pieces		
Part No.	Std. Pkg.	Wt.	ZD	
AS 667	10	155	\$2,373.80	

**AS 668 ZD
 SIX HOLE
 THREE ANGLE
 CONNECTOR**



Discount Code D		Per 100 Pieces		
Part No.	Std. Pkg.	Wt.	ZD	
AS 668	10	113	\$2,075.70	

CHANNEL

NUTS/HARDWARE

FITTINGS

PIPE/CONDUIT SUPPORTS

KLO-SHURE®

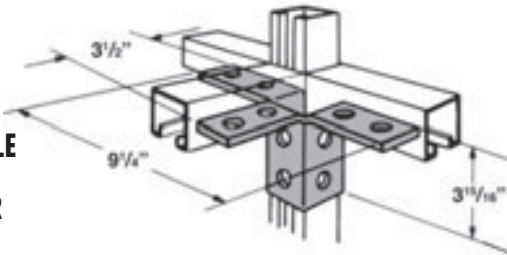
CONCRETE INSERTS

SPECIALTY STRUT

TECHNICAL DATA

SECTION 7 – SPECIALTY STRUT

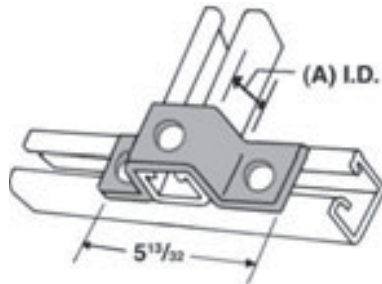
**AS 669 ZD
TWELVE
HOLE
THREE ANGLE
CLEVIS
CONNECTOR**



Discount Code D			Per 100 Pieces	
Part No.	Std. Pkg.	Wt.	ZD	
AS 669	10	230	\$3,685.00	

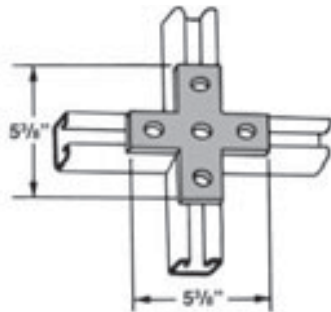
**AS 679 ZD
"U" SUPPORT**

Use For AS 100,
AS 200BTB, AS 210BTB.



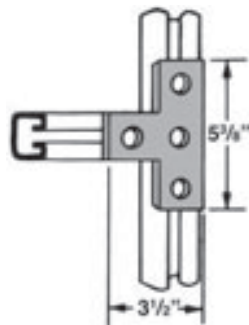
Discount Code D			Per 100 Pieces	
Part No.	A	Std. Pkg.	Wt.	ZD
AS 679	3 1/4"	25	128	\$1,725.90

**AS 712 ZD
CROSS PLATE**



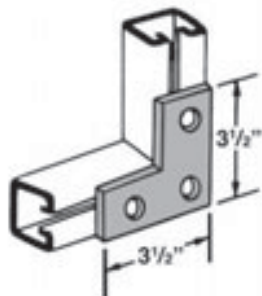
Discount Code D			Per 100 Pieces	
Part No.	Std. Pkg.	Wt.	ZD	
AS 712	10	105	\$1,783.10	

**AS 714 ZD
"T" PLATE**



Discount Code D			Per 100 Pieces	
Part No.	Std. Pkg.	Wt.	ZD	
AS 714	25	80	\$1,159.40	

**AS 718 ZD
FLAT
ANGLE PLATE**



Discount Code D			Per 100 Pieces	
Part No.	Std. Pkg.	Wt.	ZD	
AS 718	50	58	\$920.70	

LEGEND:
GR: Painted Green
EG: Electro-Galvanized

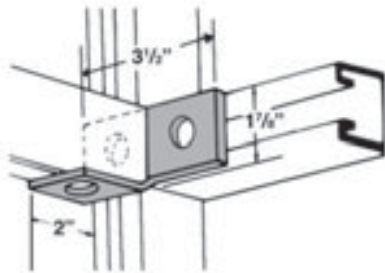
PG: Pre-Galvanized
AL: Aluminum
HG: Hot Dipped Galvanized

PL: Plain
SS: Stainless Steel
ZD: Zinc Dichromate



SECTION 7 – SPECIALTY STRUT

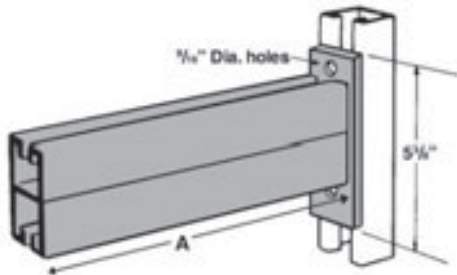
**AS 720 ZD
 RH & LH
 ANGLE PLATE
 CONNECTOR**



Discount Code D			Per 100 Pieces	
Part No.	Std. Pkg.	Wt.	ZD	
AS 720 RH	25	55	\$1,424.50	
AS 720 LH	25	55	\$1,424.50	

When Ordering, Specify RH or LH.

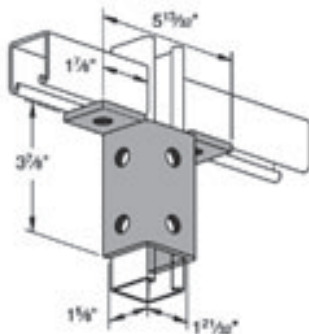
**AS 809 ZD
 DOUBLE
 CHANNEL
 BRACKET**



Discount Code D			Per 100 Pieces		
Part No.	A	*Uniform Load	Std. Pkg.	Wt.	ZD
AS 809	12"	2000	Bulk	502	\$9,475.40
AS 809	18"	1300	Bulk	692	\$12,391.50
AS 809	24"	1000	Bulk	882	\$13,252.80

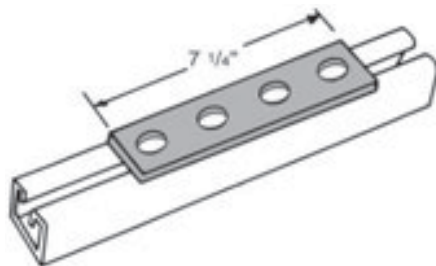
* Mounted on 12 Ga. Channel.

**AS 821 ZD
 EIGHT HOLE
 DOUBLE ANGLE
 CONNECTOR**



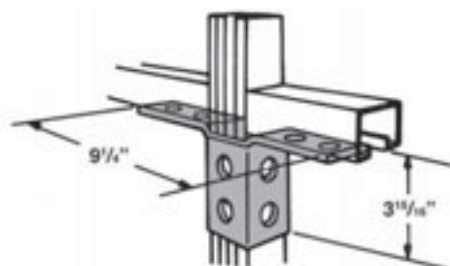
Discount Code D			Per 100 Pieces	
Part No.	Std. Pkg.	Wt.	ZD	
AS 821	10	150	\$4,194.30	

**AS 888 ZD
 FOUR HOLE
 SPLICE PLATE**



Discount Code D			Per 100 Pieces	
Part No.	Std. Pkg.	Wt.	ZD	
AS 888	25	78	\$762.30	

**AS 913 ZD
 TEN HOLE
 TWO ANGLE
 CLEVIS
 CONNECTOR**



Discount Code D			Per 100 Pieces	
Part No.	Std. Pkg.	Wt.	ZD	
AS 913	10	193	\$4,194.30	

CHANNEL

NUTS/HARDWARE

FITTINGS

PIPE/CONDUIT SUPPORTS

KLO-SHURE®

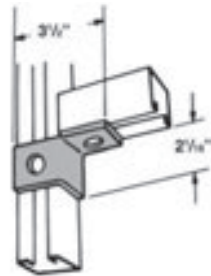
CONCRETE INSERTS

SPECIALTY STRUT

TECHNICAL DATA

SECTION 7 – SPECIALTY STRUT

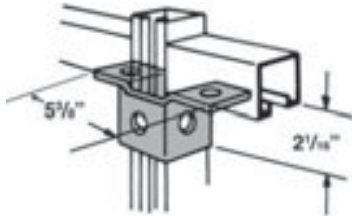
**AS 922 ZD
RH & LH
TWO HOLE
SINGLE CORNER
ANGLE CONNECTOR**



Discount Code D			Per 100 Pieces
Part No.	Std. Pkg.	Wt.	ZD
AS 922 RH	20	60	\$1,604.90
AS 922 LH	20	60	\$1,604.90

When Ordering, Specify RH or LH.

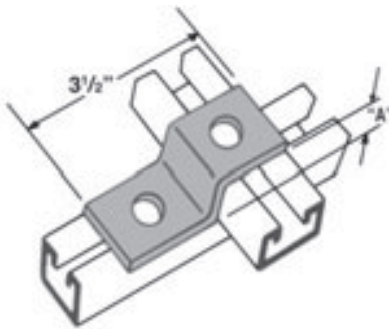
**AS 923 ZD
FIVE HOLE
TWO ANGLE
CONNECTOR**



Discount Code D			Per 100 Pieces
Part No.	Std. Pkg.	Wt.	ZD
AS 923	25	93	\$2,114.20

**AS 928 ZD
"Z" SUPPORT**

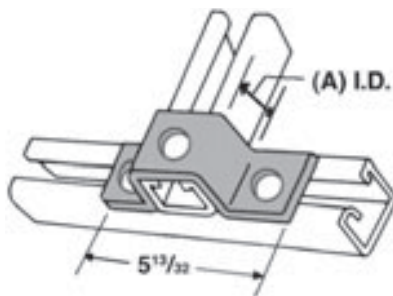
Use For AS 500
and AS 520.



Discount Code D			Per 100 Pieces	
Part No.	A	Std. Pkg.	Wt.	ZD
AS 928	1 3/16"	50	47	\$914.10

**AS 929 ZD
"U" SUPPORT**

Use With AS 500
and AS 520.



Discount Code D			Per 100 Pieces	
Part No.	A	Std. Pkg.	Wt.	ZD
AS 929	1 3/16"	25	71	\$994.40

LEGEND:
GR: Painted Green
EG: Electro-Galvanized

PG: Pre-Galvanized
AL: Aluminum
HG: Hot Dipped Galvanized

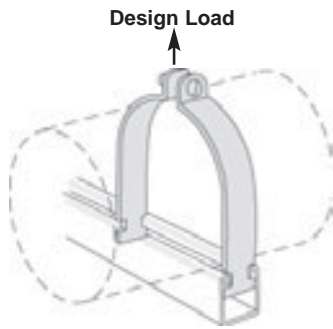
PL: Plain
SS: Stainless Steel
ZD: Zinc Dichromate



SECTION 7 – SPECIALTY STRUT

AS 1100 SS/ZD RIGID STEEL CONDUIT CLAMPS

Also For IMC and GRC.



Discount Code A						Per 100 Pieces	
Part No.	Size	O.D. Size	Load Rating	Std. Pkg.	Wt.	SS	ZD
AS 1100	1/2"	0.840	400	100	11	\$770.00	\$335.50
AS 1100	3/4"	1.050	600	100	15	\$943.80	\$355.30
AS 1100	1"	1.315	600	100	17	\$1,017.50	\$402.60
AS 1100	1 1/4"	1.660	600	100	19	\$1,091.20	\$382.80
AS 1100	1 1/2"	1.900	800	50	29	\$1,658.80	\$401.50
AS 1100	2"	2.375	800	50	34	\$1,815.00	\$421.30
AS 1100	2 1/2"	2.875	800	50	40	\$1,980.00	\$507.09
AS 1100	3"	3.500	800	50	47	\$2,153.80	\$562.10
AS 1100	3 1/2"	4.000	1000	25	62	\$2,997.50	\$897.60
AS 1100	4"	4.500	1000	25	67	\$3,208.70	\$928.40
AS 1100	5"	5.563	1000	25	80	\$3,593.70	\$1,645.60
AS 1100	6"	6.625	1000	25	102	\$6,875.00	\$1,771.00
AS 1100	8"	8.625	1000	25	130	\$8,341.30	\$1,833.70
AS 1100	10"	10.750	1000	10	143	\$12,008.70	\$2,200.00

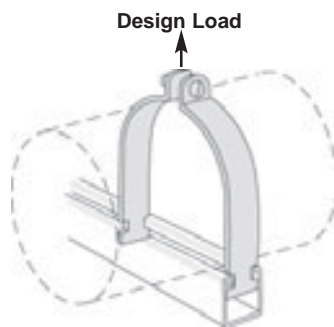
SS - Type 304 Stainless.

This item sold in full box quantities.

Hot Dipped Galvanized and Aluminum available upon request.

AS 1100 SS/ZD PRE-ASSEMBLED RIGID STEEL CONDUIT AND PIPE CLAMPS

Also For IMC and GRC.



Discount Code A						Per 100 Pieces	
Part No.	Size	O.D. Size	Load Rating	Std. Pkg.	Wt.	SS	ZD
AS 1100 AS	1/2"	0.840	400	100	11	\$797.50	\$358.60
AS 1100 AS	3/4"	1.050	600	100	15	\$971.30	\$378.40
AS 1100 AS	1"	1.315	600	100	17	\$1,045.00	\$398.20
AS 1100 AS	1 1/4"	1.660	600	100	19	\$1,118.70	\$405.90
AS 1100 AS	1 1/2"	1.900	800	50	29	\$1,686.30	\$424.60
AS 1100 AS	2"	2.375	800	50	34	\$1,842.50	\$444.40
AS 1100 AS	2 1/2"	2.875	800	50	40	\$2,007.50	\$530.20
AS 1100 AS	3"	3.500	800	50	47	\$2,181.30	\$585.20
AS 1100 AS	3 1/2"	4.000	1000	25	62	\$3,025.00	\$920.70
AS 1100 AS	4"	4.500	1000	25	67	\$3,236.20	\$951.50
AS 1100 AS	5"	5.563	1000	25	80	\$3,621.20	\$1,669.80
AS 1100 AS	6"	6.625	1000	25	102	\$6,902.50	\$1,794.10
AS 1100 AS	8"	8.625	1000	25	130	\$8,368.80	\$1,666.70
AS 1100 AS	10"	10.750	1000	10	143	\$12,036.20	\$2,223.10

SS - Type 304 Stainless.

This item sold in full box quantities.

Hot Dipped Galvanized and Aluminum available upon request.

CHANNEL

NUTS/HARDWARE

FITTINGS

PIPE/CONDUIT SUPPORTS

KLO-SHURE®

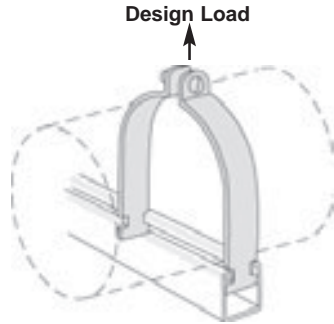
CONCRETE INSERTS

SPECIALTY STRUT

TECHNICAL DATA

SECTION 7 – SPECIALTY STRUT

AS 1200 SS/ZD O.D. TUBING CLAMP

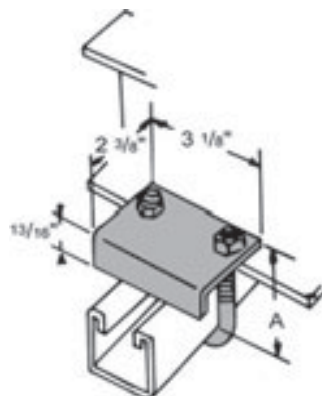


Discount Code A					Per 100 Pieces		
Part No.	Size	Tube Size	Load Rating	Std. Pkg.	Wt.	SS	ZD
AS 1200	1/4"	1/8"	400	100	8	\$874.50	\$320.10
AS 1200	3/8"	1/4"	400	100	8	\$902.00	\$327.80
AS 1200	1/2"	3/8"	400	100	9	\$930.82	\$331.10
AS 1200	5/8"	1/2"	400	100	10	\$959.20	\$335.50
AS 1200	3/4"	5/8"	400	100	11	\$1,015.30	–
AS 1200	7/8"	3/4"	400	100	12	\$1,071.40	\$335.50
AS 1200	1"	7/8"	600	100	14	\$1,325.50	–
AS 1200	1 1/8"	1"	600	100	15	\$1,354.10	\$366.30
AS 1200	1 1/4"	1 1/8"	600	100	16	\$1,438.80	\$374.00
AS 1200	1 3/8"	1 1/4"	600	100	17	\$1,562.00	–
AS 1200	1 1/2"	1 3/8"	600	100	18	\$1,509.20	–
AS 1200	1 5/8"	1 1/2"	600	100	19	\$1,551.00	\$390.50
AS 1200	1 3/4"	1 5/8"	800	50	29	\$2,411.20	–
AS 1200	1 7/8"	1 3/4"	800	50	28	\$2,495.90	\$686.40
AS 1200	2"	1 7/8"	800	50	31	\$2,580.60	–
AS 1200	2 1/8"	2"	800	50	32	\$2,735.70	\$701.80
AS 1200	2 1/4"	2 1/8"	800	50	33	\$2,764.30	–
AS 1200	2 3/8"	2 1/4"	800	50	34	\$2,834.70	\$763.40
AS 1200	2 1/2"	2 3/8"	800	50	35	\$2,919.40	–
AS 1200	2 5/8"	2 1/2"	800	50	37	\$2,975.50	\$726.00
AS 1200	2 3/4"	2 5/8"	800	50	38	\$3,088.80	–
AS 1200	2 7/8"	2 3/4"	800	50	40	\$3,144.90	\$749.10
AS 1200	3"	2 7/8"	800	50	41	\$3,201.00	–
AS 1200	3 1/8"	3"	800	50	43	\$3,258.20	\$756.80
AS 1200	3 1/4"	3 1/8"	800	50	45	\$3,341.80	–
AS 1200	3 3/8"	3 1/4"	800	50	46	\$3,440.80	–
AS 1200	3 1/2"	3 3/8"	800	50	47	\$3,498.00	–
AS 1200	3 5/8"	3 1/2"	800	50	56	\$4,540.80	\$1,559.80
AS 1200	3 3/4"	3 5/8"	800	25	58	\$4,569.40	–
AS 1200	3 7/8"	3 3/4"	1,000	25	60	\$4,654.10	–
AS 1200	4"	3 7/8"	1,000	25	62	\$4,752.00	–
AS 1200	4 1/8"	4"	1,000	25	62	\$4,823.50	\$1,599.29
AS 1200	4 1/4"	4 1/8"	1,000	25	64	\$4,879.60	\$1,677.50
AS 1200	4 3/8"	4 1/4"	1,000	25	66	\$4,978.60	\$1,755.60
AS 1200	4 1/2"	4 3/8"	1,000	25	67	\$5,119.40	\$1,833.70

SS - Type 304 Stainless.

AS 2651 ZD BEAM CLAMP

T1 Use With AS 200, AS 210, AS 300, AS 400, AS 500, AS 520.
T2 Use With AS 100, AS 150, and AS 200BTB.



Discount Code D				Per 100 Pieces		
Part No.	A	Load Rating	Std. Pkg.	Wt.	ZD	
AS2651T1	3 3/8"	1000	25	80	\$1,093.40	
AS2651T2	5"	1000	25	80	\$1,126.40	

LEGEND:
GR: Painted Green
EG: Electro-Galvanized

PG: Pre-Galvanized
AL: Aluminum
HG: Hot Dipped Galvanized

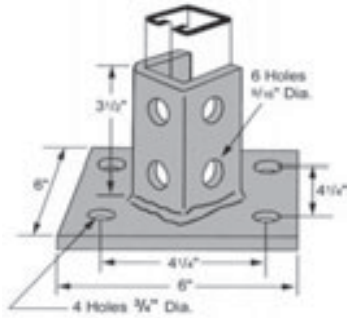
PL: Plain
SS: Stainless Steel
ZD: Zinc Dichromate



SECTION 7 – SPECIALTY STRUT

AS 3033 ZD POST BASE

Use With AS 200
and AS 210.

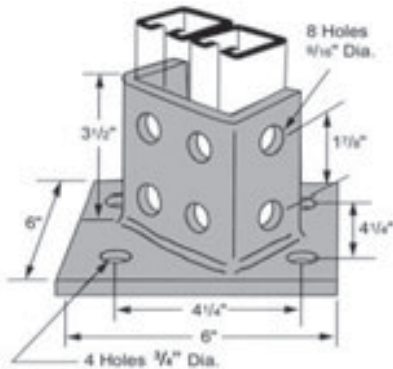


Discount Code D		Per 100 Pieces		
Part No.	Std. Pkg.	Wt.	ZD	
AS 3033	10	373	\$6,395.40	
AS 3033 SQ	10	373	\$6,395.40	

Diagram shown is an AS 3033.

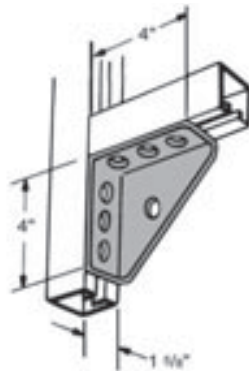
AS 3064 ZD DOUBLE COLUMN POST BASE

Use With All 3 1/4"
Channels.



Discount Code D		Per 100 Pieces		
Part No.	Std. Pkg.	Wt.	ZD	
AS 3064	10	408	\$6,395.40	

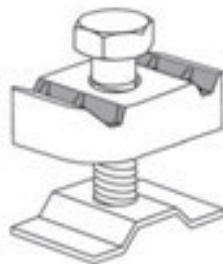
AS 3373 ZD UNIVERSAL ANGLE BRACKET



Discount Code D		Per 100 Pieces		
Part No.	Std. Pkg.	Wt.	ZD	
AS 3373	25	134	\$2,318.80	

For Load Rating, see page 104.

AS 3500 ZD SEISMIC ROD STIFFENER



Discount Code C		Per 100 Pieces		
Part No.	Size	Std. Pkg.	Wt.	ZD
AS 3500	3/8" - 5/8"	25	16.0	\$1,888.70

CHANNEL

NUTS/HARDWARE

FITTINGS

PIPE/CONDUIT SUPPORTS

KLO-SHURE®

CONCRETE INSERTS

SPECIALTY STRUT

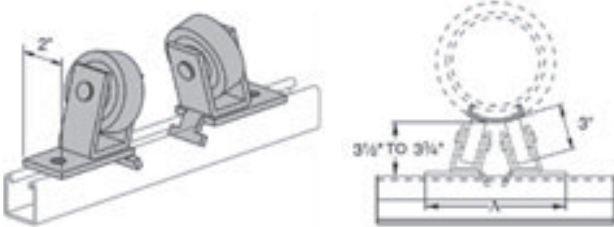
TECHNICAL DATA

TECHNICAL DATA

NOTE: Anvil Strut Rollers Consist of Cast Iron Roller & Steel Bracket.

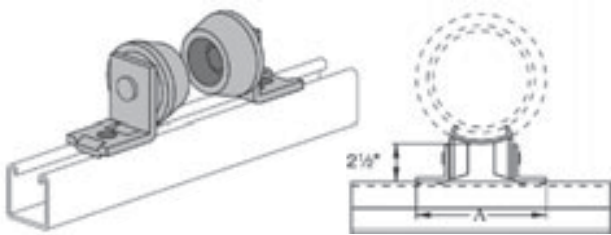
AS 815 (6" TO 18" PIPE) DOUBLE ROLLER PIPE SUPPORT

Order Nuts and Bolts Separately.



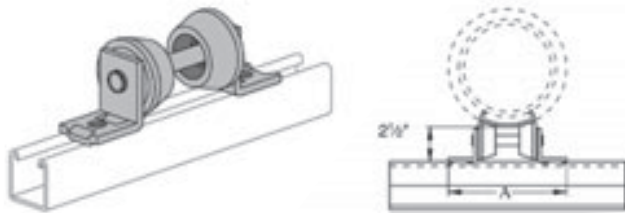
Pipe Size	No Insulation	1"	1 1/2"	2"	2 1/2"	3"	4"
6"	9 1/2"	10 1/4"	10 1/2"	10 3/4"	11"	11 3/8"	11 7/8"
8"	10 1/8"		11"	11 3/8"	11 3/4"	12"	12 1/2"
10"	10 3/4"		11 5/8"	12"	12 1/4"	12 1/2"	13"
12"	11 1/4"		12 1/8"	12 1/2"	12 3/4"	13"	13 1/2"
14"	11 5/8"		12 1/2"	12 3/8"		13 3/8"	14"
16"	12 1/8"		13"	13 3/8"	13 3/8"	14"	14 1/2"

AS 1901 (1" - 8" PIPE) PIPE ROLLER SUPPORT



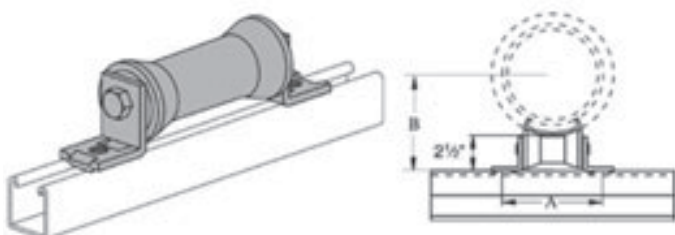
Pipe Size	No Insulation	1"	1 1/2"	2"	2 1/2"	3"	4"
1/2"	6 1/2"	6 1/2"					
3/4"	6 1/2"	6 1/2"	6 5/8"	6 7/8"			
1"	6 1/2"	6 1/2"	6 5/8"	6 7/8"			
1 1/4"	6 1/2"	6 1/2"	6 7/8"	7 1/8"	7 3/8"		
1 1/2"	6 1/2"	6 1/2"	6 7/8"	7 1/8"	7 3/8"		
2"	6 1/2"	6 5/8"	7 1/8"	7 3/8"	7 1/2"	8"	
2 1/2"	6 1/2"	6 5/8"	7 1/8"	7 3/8"	7 1/2"	8"	
3"	6 1/2"	7"	7 1/2"	7 3/4"	7 1/8"	8 1/8"	
3 1/2"	6 1/2"	7"	7 1/2"	7 3/4"	7 1/8"	8 1/8"	
4"	6 5/8"	7 1/4"	7 5/8"	7 7/8"	8"	8 3/8"	9"

AS 1902 PIPE ROLLER SUPPORT



Pipe Size	No Insulation	1"	1 1/2"	2"	2 1/2"	3"	4"
1/2"	AS 1902-1"-2"	AS 1902-1"-2"	AS 1902-1"-2"	AS 1902-2 1/2"-3 1/2"			
3/4"	AS 1902-1"-2"	AS 1902-1"-2"	AS 1902-1"-2"	AS 1902-2 1/2"-3 1/2"			
1"	AS 1902-1"-2"	AS 1902-1"-2"	AS 1902-1"-2"	AS 1902-2 1/2"-3 1/2"			
1 1/4"	AS 1902-1"-2"	AS 1902-1"-2"	AS 1902-1"-2"	AS 1902-2 1/2"-3 1/2"			
1 1/2"	AS 1902-1"-2"	AS 1902-1"-2"	AS 1902-2 1/2"-3 1/2"	AS 1902-2 1/2"-3 1/2"	AS 1902-2 1/2"-3 1/2"		
2"	AS 1902-1"-2"	AS 1902-1"-2"	AS 1902-2 1/2"-3 1/2"	AS 1902-2 1/2"-3 1/2"	AS 1902-2 1/2"-3 1/2"		
2 1/2"	AS 1902-1"-2"	AS 1902-1"-2"	AS 1902-2 1/2"-3 1/2"	AS 1902-2 1/2"-3 1/2"	AS 1902-2 1/2"-3 1/2"		
3"	AS 1902-1"-2"	AS 1902-2 1/2"-3 1/2"	AS 1902-2 1/2"-3 1/2"	AS 1902-4"-6"	AS 1902-4"-6"	AS 1902-4"-6"	
3 1/2"	AS 1902-1"-2"	AS 1902-2 1/2"-3 1/2"	AS 1902-2 1/2"-3 1/2"	AS 1902-4"-6"	AS 1902-4"-6"	AS 1902-4"-6"	
4"	AS 1902-1"-2"	AS 1902-2 1/2"-3 1/2"	AS 1902-2 1/2"-3 1/2"	AS 1902-4"-6"	AS 1902-4"-6"	AS 1902-4"-6"	
5"	AS 1902-2 1/2"-3 1/2"	AS 1902-4"-6"	AS 1902-4"-6"	AS 1902-4"-6"	AS 1902-4"-6"	AS 1902-8"	AS 1902-8"
6"	AS 1902-2 1/2"-3 1/2"	AS 1902-4"-6"	AS 1902-4"-6"	AS 1902-4"-6"	AS 1902-4"-6"	AS 1902-8"	AS 1902-8"
8"	AS 1902-2 1/2"-3 1/2"	AS 1902-4"-6"	AS 1902-8"	AS 1902-8"	AS 1902-8"	AS 1902-8"	AS 1902-8"

AS 1911 PIPE ROLLER



Size	Fit Pipe Size	A	B
2" - 3 1/2"	2"	5"	3"
	2 1/2"	5"	3 1/4"
	3"	5"	3 3/8"
4" - 6"	3 1/2"	5"	3 7/8"
	4"	5 7/8"	4 5/16"
	5"	5 7/8"	4 7/8"
8" - 10"	6"	5 7/8"	5 1/16"
	8"	8 5/16"	7 7/8"
	10"	8 5/16"	8 1/4"
12" - 14"	12"	10 7/8"	9 7/8"
	14"	10 7/8"	10 1/2"

TECHNICAL DATA

ANVIL-STRUT™ TECHNICAL DATA

The Anvil-Strut™ Metal Framing System offers a unique and flexible series of metal channels and fittings designed to fill a wide variety of construction requirements, from supporting sprinkler systems, electrical conduit or any other piping system, to the erection of mezzanines, walkways, or guardrails. Anvil-Strut™ has also demonstrated its usefulness in a multitude of OEM applications, including such products as scaffolding, conveyors, electronic enclosures, and truck body parts just to name a few.



A Saw, A Wrench, and Anvil-Strut™

The Anvil-Strut™ Metal Framing System provides a continuous support system that is fully adjustable, completely reusable and comes with the added benefit of many time-saving features. That translates into a system that is strong, fast, and economical with no welding or drilling. From planning to actual construction, your job will proceed smoothly in less time and with less effort.

With the Anvil-Strut™ channel and fittings, lightweight suspension systems can be quickly erected in an unlimited variety of styles, to meet all your structural requirements, providing a firm anchorage for any type of pipe hanger or support application. In situations using poured concrete construction, Anvil-Strut™ concrete insert channel provides a continuous, flush mounting slot in floors, walls or ceilings.

Fabrication with Anvil-Strut™ is simple and fast. First cut the strut channel to the desired length with a hacksaw, chop saw, or powered band saw. Next insert the special grip nut with integrated retaining spring into the channel slot and turn 90 degrees to align the nut grooves with the channel lips. The nut may be slid to any desired location along the entire length of the channel allowing total adjustability.

Depending on the style of assembly being made, the appropriate fitting is then positioned over the nut and a cap screw is inserted. Finally the screw is tightened using an ordinary wrench, causing the serrated teeth in the grip nut to bite into the channel lips, positively locking the components into a rigid assembly. **NO DRILLING....NO WELDING....NO SPECIAL TOOLS.**

This catalog is not intended to show the complete Anvil-Strut™ line of fittings and accessories, but rather to illustrate the most commonly used items. Literally hundreds of additional items are available, most from stock, to meet your requirements.

Our engineering department will be happy to assist you in incorporating Anvil-Strut™ into your next project. Our recommendations will be provided to you without obligation.

TECHNICAL DATA

Materials

CARBON STEEL

Channels are formed from high-quality, structural grade carbon steel which has been manufactured in accordance with ASTM A-570 specification Grade 33 (hot rolled), or ASTM 366 (cold rolled), with mechanical properties of 33 ksi minimum yield and 52 ksi minimum tensile strength. The precision roll-forming process by which the channels are formed "cold works" the steel, thereby increasing its mechanical properties.

STAINLESS STEEL

Channels are formed from chromium-nickel stainless steel sheet manufactured in accordance with ASTM A-240 specification, offered in both AISI Type 304 and 316 material to provide protection in varying corrosive conditions.

ALUMINUM

Extruded aluminum channel is produced from 6063-T6 alloy, and fittings are produced from 5052-H32 alloy, both in accordance with ASTM B-221 specifications. Aluminum is suitable for use in various corrosive environments.

Finishes

PRE-GALVANIZED

Hot dip, mill galvanized coating produced through a process of continuously passing the steel through a bath of molten zinc. This process is performed in accordance with ASTM A-653. The thickness of the zinc coating conforms with ASTM G90 which represents a coating thickness of .90 ounces of zinc per square foot (.45 per side). This coating is applied to the steel master coils prior to slitting and fabrication.

HOT DIP GALVANIZED - POST FABRICATION

The finished channel is completely immersed in a bath of molten zinc, resulting in the complete coating of all surfaces of the product, including edges and welds. Strut channels that are hot dip galvanized, have a total coating weight of 3.0 ounces of zinc per square foot (1.5 ounces per side) in accordance with ASTM A-123 specification. This coating provides superior results in applications calling for prolonged outdoor exposure.

SUPR-GREEN POWDER COATING

Strut channels are coated after fabrication with polyester powder finish. This coating is applied using an electrostatic spray process, beginning with cleaning and phosphating, through a bonderite pre-treatment process, and ending with oven curing. The resulting finish provides a high quality appearance and durability.

ZINC DICHROMATE

The finished channel undergoes a multi-step process consisting of electrogalvanizing, in accordance with ASTM B-633-85, followed by an application of zinc dichromate, which provides the distinctive gold coloration of the finish. All surfaces are coated because the process is performed after fabrication.

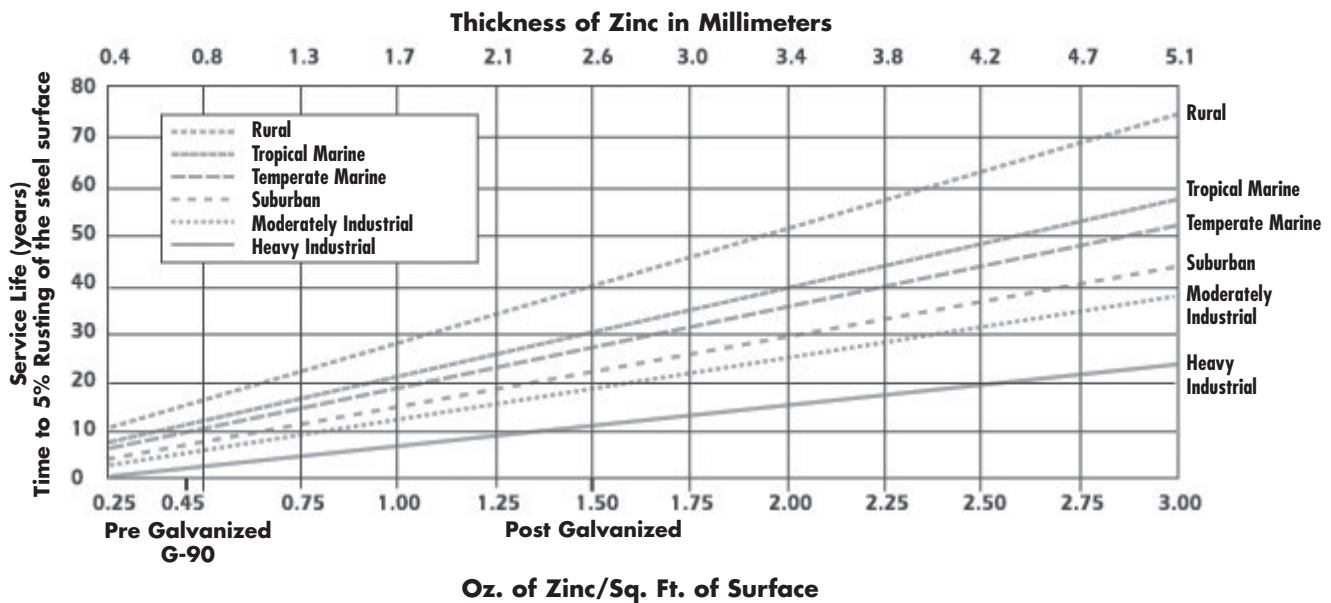
PVC

A corrosive resistant PVC (polyvinyl chloride) coating is applied over the completed strut channel. The coating process consists of surface pretreatment, followed by preheating of the part, which is then passed through a fluidized bed of vinyl plastic powder. The powder melts onto the heated channel forming a smooth coating which undergoes a final heat curing.

TECHNICAL DATA

Life of Protection vs. Thickness of Zinc and Type of Atmosphere

Life of Protection vs. Thickness of Zinc and Type of Atmospheres



The chart above represents the expected life of Anvil-Strut™ when exposed to various atmospheres, ranging from moderate to severe. This chart is helpful for the designer when selecting which galvanized coating is best suited for the given application. It has been compiled from many years of service in the various industries Anvil serves.

Anvil's outstanding quality control procedures assure the end user each piece of Anvil-Strut™ has been manufactured to the most rigid specifications in the industry, and will provide the level of field service you have come to expect from Anvil International.

Should you have a custom application that requires additional information, our engineering department is ready to review it.

CHANNEL
NUTS/HARDWARE
FITTINGS
PIPE/CONDUIT SUPPORTS
KLO-SHURE®
CONCRETE INSERTS
SPECIALTY STRUT
TECHNICAL DATA

TECHNICAL DATA

Pipe Clamps

SPECIFICATIONS

GENERAL

Anvil-Strut™ Pipe Clamps are all manufactured to fit into the standard openings of 1⁵/₈" channel to support runs of piping where desired, to secure the pipe in place.

MATERIAL

Anvil-Strut™ pipe clamps are manufactured from the following materials:

- Hot Rolled Steel Sheet (ASTM-A-569)
- Cold Rolled Steel Sheet (ASTM-A-366)
- Stainless Steel - Type 304/316 (ASTM-A-240)

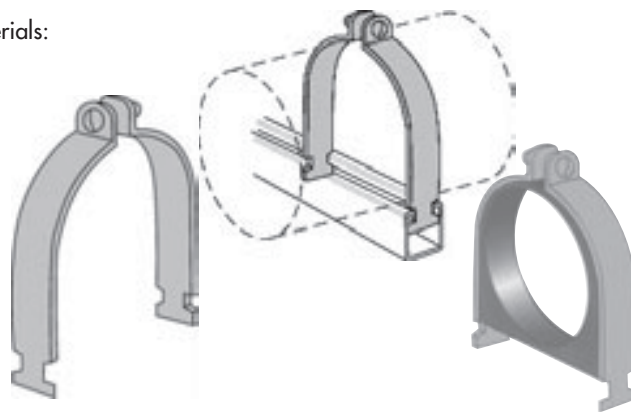
FINISH

Anvil-Strut™ pipe clamps are available in the following finishes:

- Electro Galvanized (ASTM-B-633BSCI)
- Hot Dipped Galvanized (ASTM-A-123)
- Copper Plated
- Zinc Dichromate

ORDERING

Please specify catalog number, size and finish.



Concrete Inserts & Accessories

SPECIFICATIONS

GENERAL

Anvil-Strut™ Concrete Inserts are designed for the attachment or suspension of framing, piping or equipment to concrete structures where a continuous insert slot is required. Continuous Concrete Inserts are nailed to the forms through the knockout holes provided in the closure cap. Nails may be cut off after removal of the forms.

MATERIAL

Anvil-Strut™ Concrete Inserts and Accessories are produced from prime steel covering the following specifications:

- Cold Rolled Carbon Steel (ASTM-A-366)
- Hot Rolled Carbon Steel (ASTM-570)
- Stainless Steel - Type 304/316 (ASTM-A-240)

FINISH

Anvil-Strut™ Concrete Inserts and Accessories are stocked in the following finishes:

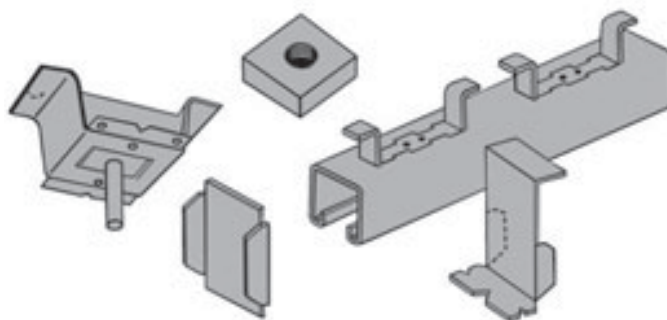
- Pre Galvanized (ASTM-A-525-G90)
- Electro Galvanized (ASTM-B-633BSC)

LENGTH

Anvil-Strut™ Concrete Inserts are produced and stocked in 10 and 20 foot lengths. Other lengths are available upon request.

ORDERING

Specify catalog number, length or size where required and finish when necessary.



TECHNICAL DATA

General Fittings

SPECIFICATIONS

GENERAL

Anvil-Strut™ General Fittings are designed to fit with all Anvil-Strut™ 1⁵/₈" wide channels. All Anvil-Strut™ fittings are manufactured from 1/4" thick carbon steel, 1⁵/₈" wide, all holes are 9/16" diameter, spaced 1⁷/₈" on center and 1³/₁₆" from the end.

The more popular fittings are illustrated on the previous pages. However, there are hundreds of other fittings available. Please contact the factory for any other fittings you may need for specific applications.

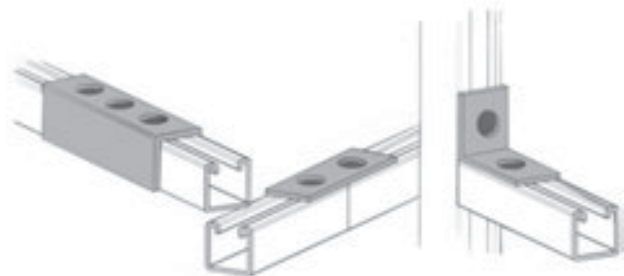
MATERIAL

Anvil-Strut™ fittings are manufactured from the following material:

- Hot Rolled Steel Sheet (ASTM-A-569)
- Cold Rolled Steel Sheet (ASTM-A-366)
- Stainless Steel - Type 304/316 (ASTM-A-240)

ORDERING

Please specify catalog number and finish.



Design Load Data

(For typical channel-fitting connections when USED IN PAIRS.)

90° Fitting			90° Fitting			90° Fitting			90° Fitting			90° Fitting			90° Fitting		
Channel Thickness			Channel Thickness			Channel Thickness			Channel Thickness			Channel Thickness			Channel Thickness		
12 ga.	14 ga.	16 ga.	12 ga.	14 ga.	16 ga.	12 ga.	14 ga.	16 ga.	12 ga.	14 ga.	16 ga.	12 ga.	14 ga.	16 ga.	12 ga.	14 ga.	16 ga.
(2.6)	(1.9)	(1.5)	(2.6)	(1.9)	(1.5)	(2.6)	(1.9)	(1.5)	(2.6)	(1.9)	(1.5)	(2.6)	(1.9)	(1.5)	(2.6)	(1.9)	(1.5)
Lbs. 1500	1000	750	Lbs. 1000	650	500	Lbs. 2000	1500	900	Lbs. 1500	1150	650	Lbs. 1500	1000	1000	Lbs. 1000	650	500
kN (6.67)	(4.45)	(3.34)	kN (4.45)	(2.89)	(2.22)	kN (8.90)	(6.67)	(4.00)	kN (6.67)	(5.12)	(2.89)	kN (6.67)	(4.45)	(4.45)	kN (4.45)	(2.89)	(2.22)

Design load data includes a safety factor of 2.5 (safety factor = ratio of ultimate load to design load).

90° Fitting			90° Fitting			90° Fitting			90° Fitting			Flat Fitting			Flat Fitting		
Channel Thickness			Channel Thickness			Channel Thickness			Channel Thickness			Channel Thickness			Channel Thickness		
12 ga.	14 ga.	16 ga.	12 ga.	14 ga.	16 ga.	12 ga.	14 ga.	16 ga.	12 ga.	14 ga.	16 ga.	12 ga.	14 ga.	16 ga.	12 ga.	14 ga.	16 ga.
(2.6)	(1.9)	(1.5)	(2.6)	(1.9)	(1.5)	(2.6)	(1.9)	(1.5)	(2.6)	(1.9)	(1.5)	(2.6)	(1.9)	(1.5)	(2.6)	(1.9)	(1.5)
Lbs. 2500	2000	1500	Lbs. 2000	1650	1250	Lbs. 3000	2000	1500	Lbs. 2500	1650	1250	Lbs. 1000	800	600	Lbs. 1000	800	600
kN (11.12)	(8.90)	(6.67)	kN (8.90)	(7.34)	(5.56)	kN (13.34)	(8.90)	(6.67)	kN (11.12)	(7.34)	(5.56)	kN (4.45)	(3.56)	(2.67)	kN (4.45)	(3.56)	(2.67)

TECHNICAL DATA

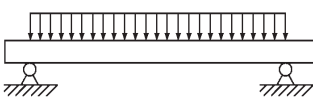
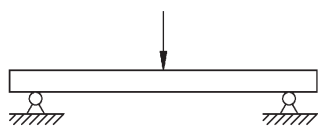
Fundamentals of Design

BEAMS

Beams are members which are subjected to loads at right angles (perpendicular) to their length. Most commonly, beams are horizontal and are therefore subjected to vertical loads usually related to gravity, i.e.- a shelf, platform or support for pipe or conduit. Loads cause beams to bend, called deflection. The ultimate consideration when designing a beam structure is whether or not it is strong enough. In other words, will it hold the anticipated load and provide a safety factor for unanticipated loads or other variations in conditions. A beam's ability to support a load is determined by its allowable bending moment and resulting amount of deflection. This load carrying ability is dependent on a number of factors: the amount of load, the type of load, the manner in which the beam is supported and the stiffness of the beam (a function of the beam's shape and the material from which it is made).

Types of Beam Loading

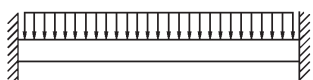
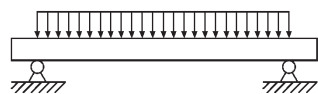
Point Load - A point load is concentrated at a single point along the beam's span (in reality, the load is concentrated over a very small length of the beam).



Uniform Load - A uniform load is spread evenly over the length of the beam from support to support.

Types of Beam Support Conditions

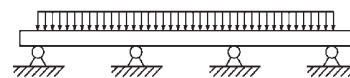
Simple Beam - A simple beam is supported at both ends by non-fixed connections which prevent vertical movement at the support point, but allow the beam to rotate or flex into a normal deflected shape. The majority of bolted metal framing connections closely approximate these conditions. The loading data presented in this catalog is based on simple beam analysis unless otherwise noted.



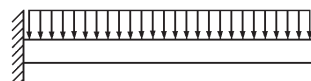
Fixed Beam - A fixed beam has rigid connections at each end that restrict the rotation of the beam and resist its deflection. The increased stiffness provided by this resistance to rotation provides a greater load capacity than that of an

equivalent simple beam. A fixed-end beam would result when a channel span is welded to rigid upright supports.

Continuous Beam - A continuous beam rests on more than two supports.



The outside spans of a continuous beam will act like simple beams, while the interior spans will behave in a manner similar to fixed beams.

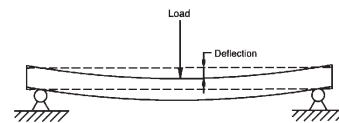


Cantilever Beams - A cantilever beam is supported by a fixed, rigid connection at

one end and is totally unsupported at the opposite end. Shelf brackets and many of the strut brackets shown in this catalog are examples of cantilever beams.

Loading and Deflection

All beams will deflect or "sag" when a load is applied. The magnitude of the deflection is dependent on the following factors:



- (a) The amount of load plus the weight of the beam itself.
- (b) The manner in which the load is distributed.
- (c) The method by which the beam is supported.
- (d) The cross sectional shape of the beam.
- (e) The material from which the beam is made.

The stiffness of the beam derived from its cross sectional shape is defined by its "Moment of Inertia" or "I". The greater the "I" value of a beam, the greater its stiffness and the smaller its deflection. "I" values are given for both major axis (X-X and Y-Y). Increasing the height of the strut channel (Y-Y axis) is a straightforward way to increase its stiffness and lower its deflection.

The stiffness of a beam derived from its material composition is defined by its "Modulus of Elasticity" or "E". The greater the "E" value of the beam's material, the stiffer it is, and the smaller the deflection. A material's elasticity does not necessarily relate to its strength but rather its deflection under a given load.

The beam capacities in this catalog include the weight of the beam itself. Therefore, the strut beam weight must be subtracted from the loading capacities given to provide the net beam capacity.

TECHNICAL DATA

Design of Anvil-Strut™ Systems

Safety Factor, Stress and Bending Moment

The most important design consideration is the determination of adequate load bearing capacity. The beam must support its own weight, plus the weight of anticipated loads, and in addition, have enough capacity to safely handle unanticipated loads and variations in other relevant conditions. This "safety factor" is usually established by various design codes and standards. One method of measuring a beams capacity is the allowable stress method whereby the beams maximum allowable stress is determined in pounds per square inch (psi).

The maximum allowable uniform loads (and corresponding deflections) presented in this catalog for strut channel beam loads are based on a simple beam configuration utilizing an allowable stress of 25,000 psi. This maximum allowable stress provides a theoretical safety factor of 1.68 which is derived from carbon steel's minimum yield strength of 33,000 psi, which is increased to 42,000 psi as a result of the steel being cold worked in the rolling process. In addition, the data given in this catalog under maximum allowable uniform loads is consistent with the current AISI "Specification For the Design of Cold-Formed Steel Structural Members". The bending moment divided by a beam's sectional modulus "S" equals stress.

As mentioned above, all beams will deflect or sag under load. It is worth noting that noticeable sagging is not an indication of an incorrectly designed beam installation. There may be situations however where it is desirable to address the visual appearance of an installation by minimizing deflection. In most applications a deflection equating to 1/240 of the span's length will provide an acceptable appearance. The tables presented in this catalog show loading at 1/240 deflections, as well as loading at 1/360 deflections that can be used in situations which have highly demanding visual requirements.

Columns

Columns are structural members that support compression loads (loads that are parallel to the length of the column). While most often vertical, any structural member that is loaded in compression, such as a diagonal brace, is considered a column.

Allowable column loading is dependent on a number of factors:

- (a) Column length - Column length is the distance between brace points.

- (b) Concentric vs eccentric loading - Concentric loading is a load applied upon the cross-sectional center of gravity, such as a load which rests on the top of a column. An eccentric load is any load which is not concentric. A fitting bolted to a strut channel slot will impart an eccentric load to the channel. The data presented in this catalog assumes concentric loading.
- (c) Support conditions - The column end support condition is mathematically represented by its "K-factor". A pinned connection is one that prevents lateral movement, but allows rotation. A fixed connection provides restraint against both lateral movement and rotation. A free top connection is one that is restrained against rotation but is free to move laterally. The data presented in this catalog assumes a pinned top/pinned bottom condition ("K" equals 1.0).
- (d) Cross-sectional shape - The column's cross-sectional shape is represented by its "Radius of Gyration" or "r" value. The axis with the smaller "r" value should be used for design evaluation.

In accordance with AISI "Specification for the Design of Cold Formed Steel Structural Members", column load data shown in this catalog is based on 33,000 psi yield strength. The data takes into account the effect of torsional and/or torsional-flexural buckling. Where possible, columns should be braced to minimize these effects.

Bolt Torque






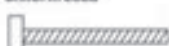

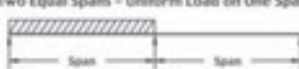



Recommended bolt torque values are given below. These torque values are suggested as a guideline to assist in arriving at the proper bolt tension. It should be kept in mind that the relationship between wrench torque and bolt tension is not always consistent. Factors effecting this relationship include metal finish and the presence or lack of a lubricant. Lubricated threads will increase the bolt tension for a given amount torque applied, and could potentially result in over torquing. The values shown here assume a properly calibrated torque wrench and clean, non-lubricated bolt, nut, washer and fitting.

BOLT SIZE	¼ - 20	⅝ - 18	¾ - 16	½ - 13
FOOT-LBS	6	11	19	50

TECHNICAL DATA

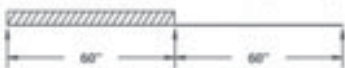
Anvil-Strut™ Beam Loading Formulas

For determining beam load other than simple beam load (supported at both ends), use the appropriate factor from the chart below and multiply by data provided on the appropriate channel page.

LOAD AND SUPPORT CONDITION	LOAD FACTOR	DEFLECTION FACTOR
Simple Beam - Uniform Load 	1.00	1.00
Simple Beam - Concentrated Load at Center 	.50	.80
Simple Beam - Two Equal Concentrated Loads at 1/4 Points 	1.00	1.10
Beam Fixed at Both Ends - Uniform Load 	1.50	.30
Beam Fixed at Both Ends - Concentrated Load at Center 	1.00	.40
Cantilever Beam - Uniform Load 	.25	2.40
Cantilever Beam - Concentrated Load at End 	.12	3.20
Continuous Beam - Two Equal Spans - Uniform Load on One Span 	1.30	.92
Continuous Beam - Two Equal Spans - Uniform Load on Both Spans 	1.00	.42
Continuous Beam - Two Equal Spans - Concentrated Load at Center of One Span 	.62	.71
Continuous Beam - Two Equal Spans - Concentrated Load at Center of Both Spans 	.67	.48

EXAMPLES:

PROBLEM:
Calculate the load and corresponding deflection of the AS 200 beam continuous over one support and loaded uniformly on one span.



SOLUTION:
From the load table for AS 200, for a 60" span, the maximum allowable load is 650 lbs. and the corresponding deflection is .344". Multiplying by the appropriate factors shown in the chart above:

LOAD = 650 lbs. x 1.3 = 845 lbs.
DEFLECTION = .344" x .92 = .316"

PROBLEM:
Calculate the load and corresponding deflection of a cantilever AS 150 beam with a concentrated load on the end.



SOLUTION:
From beam load chart for AS 150, for a 36" span, the maximum allowable load is 2100 lbs. and the corresponding deflection is .085". Multiplying by the appropriate factors shown in the chart above:

LOAD = 2100 lbs. x .12 = 252 lbs.
DEFLECTION = .085" x 3.20 = .272"

TECHNICAL DATA

Common Beam Loading Formulas

SIMPLE BEAMS					
	$R_a = R_b = \frac{W}{2}$	$V_{max} = \frac{W}{2}$	$M_{max} = \frac{WL}{4}$	$\Delta_{max} = \frac{Wl^3}{48EI}$	
	$R_a = R_b = \frac{wL}{2}$	$V_{max} = \frac{wL}{2}$	$M_{max} = \frac{wl^2}{8}$	$\Delta_{max} = \frac{5wl^4}{384EI}$	
	$R_a = \frac{Wb}{L}$	$R_b = \frac{Wa}{L}$	$V_{max} = \frac{Wb}{L}$	$M_{max} = \frac{Wab}{L}$	$\Delta_{max} = \frac{Wab(a+2b)\sqrt{3a(a+2b)}}{27EI}$ @ $x = \sqrt{\frac{a(a+2b)}{3}}$
BEAM FIXED AT ONE END, SUPPORTED AT OTHER					
	$R_a = \frac{5W}{16}$	$V_{max} = \frac{11W}{16}$	$M_{max} = \frac{5WL}{32}$	$\Delta_{max} = \frac{.009317 Wl^3}{EI}$ @ $x = 0.447L$	
	$R_a = R_b = \frac{2wl}{3}$	$V_{max} = \frac{2wl}{3}$	$M_{max} = \frac{wl^2}{8}$	$\Delta_{max} = \frac{wl^3}{185EI}$ @ $x = 0.4215L$	
	$R_a = \frac{Wl^2}{2L}(a+2L)$	$R_b = \frac{Wl}{2L}(3L^2 - a^2)$	$M_{point\ of\ load} = R_a a$	$M_{fixed\ end} = \frac{Wb^2}{2L}(a+L)$	$\Delta_{max} = \frac{Wab^2}{6EI} \sqrt{\frac{a}{2L+a}}$ @ $x = L \sqrt{\frac{a}{2L+a}}$
	$R_a = R_b = \frac{3W}{2}$	$V_{max} = \frac{W}{2}$	$M_{max} = \frac{WL}{8}$	$\Delta_{max} = \frac{Wl^3}{192EI}$	
	$R_a = R_b = \frac{2wl}{3}$	$V_{max} = \frac{wl}{2}$	$M_{max} = \frac{wl^2}{12}$	$\Delta_{max} = \frac{wl^4}{384EI}$	
	$R_a = \frac{Wl^2}{L}(3a+b)$	$R_b = \frac{Wl^2}{L}(a+3b)$	$M_a = \frac{Wab}{L}$	$M_b = \frac{Wb^2}{L}$	$M_{max} = \frac{2Wab}{L}$ $\Delta_{max} = \frac{2Wb^2}{3EI(1+2a)}$ @ $x = \frac{2b}{L+2a}$
CANTILEVER BEAMS					
	$R_a = R_b = W$	$V_{max} = W$	$M_{max} = WL$	$\Delta_{max} = \frac{Wl^3}{3EI}$	
	$R_a = R_b = wl$	$V_{max} = wl$	$M_{max} = \frac{wl^2}{2}$	$\Delta_{max} = \frac{wl^3}{6EI}$	
	$R_a = R_b = W$	$V_{max} = W$	$M_{max} = Wb$	$\Delta_{max} = \frac{Wb^2(3L-b)}{6EI}$	

R - Reaction
 M - Moment
 W - Concentrated Load
 w - Uniform Load (Weight/Unit Length)
 V - Shear
 L - Length
 Δ - Deflection
 E - Modulus of Elasticity
 I - Moment of Inertia

TECHNICAL DATA

Electrical Metallic Tubing Data

Nom. Size EMT Conduit	OD Conduit	Conduit Wt. lbs./ft.	Approx. Max. Wt. (lbs./ft.) Conduit and Conductor Not Lead Covered
1/2	0.706	0.29	0.54
3/4	0.922	0.45	1.16
1	1.163	0.65	1.83
1 1/4	1.510	0.96	2.96
1 1/2	1.740	1.11	3.68
2	2.197	1.41	4.45
2 1/2	2.875	2.15	6.41
3	3.500	2.60	9.30
3 1/2	4.000	3.25	12.15
4	4.500	3.90	15.40

Application Engineering Data - Conduit Spacings




Spacings in inches between centers of conduits. The light face figures are the minimum dimensions to provide clearance between locknuts. The more liberal spacings printed in bold face type should be used whenever possible.



Size	Size												
	1/2"	3/4"	1"	1 1/4"	1 1/2"	2"	2 1/2"	3"	3 1/2"	4"	4 1/2"	5"	6"
1/2"	1 3/16 1 3/8	-	-	-	-	-	-	-	-	-	-	-	-
3/4"	1 5/16 1 1/2	1 7/16 1 5/8	-	-	-	-	-	-	-	-	-	-	-
1"	1 1/2 1 3/4	1 5/8 1 7/8	1 3/4 2	-	-	-	-	-	-	-	-	-	-
1 1/4"	1 3/4 2	1 7/8 1 1/8	2 2 1/4	2 1/4 2 1/2	-	-	-	-	-	-	-	-	-
1 1/2"	1 15/16 2 1/8	2 1/16 2 1/4	2 3/16 2 3/8	2 7/16 2 5/8	2 9/16 2 3/4	-	-	-	-	-	-	-	-
2"	2 3/16 2 3/8	2 5/16 2 1/2	2 1/2 2 3/4	2 3/4 3	2 7/8 3 1/8	3 1/8 3 3/8	-	-	-	-	-	-	-
2 1/2"	2 7/16 2 5/8	2 9/16 2 3/4	2 3/4 3	3 3 1/4	3 1/8 3 3/8	3 3/8 3 5/8	3 5/8 4	-	-	-	-	-	-
3"	2 13/16 3	2 15/16 3 1/8	3 1/16 3 3/8	3 5/16 3 5/8	3 7/16 3 3/4	3 3/4 4	4 4 3/8	4 5/16 4 3/4	-	-	-	-	-
3 1/2"	3 1/8 3 3/8	3 1/4 3 1/2	3 3/8 3 5/8	3 5/8 3 7/8	3 3/4 4	4 1/16 4 3/8	4 5/16 4 5/8	4 5/8 5	4 15/16 5 3/8	-	-	-	-
4"	3 7/16 3 3/4	3 9/16 3 7/8	3 11/16 4	3 15/16 4 1/4	4 1/16 4 3/8	4 3/8 4 3/4	4 5/8 5	4 5/8 5 3/8	5 1/4 5 5/8	5 9/16 6	-	-	-
4 1/2"	3 3/4 4	3 7/8 4 1/8	4 4 1/4	4 1/4 4 1/2	4 3/8 4 3/4	4 5/8 5	4 7/8 5 1/4	5 1/4 5 5/8	5 9/16 6	5 7/8 6 1/4	6 1/8 6 1/2	-	-
5"	4 1/8 4 3/8	4 1/4 4 1/2	4 3/8 4 5/8	4 5/8 4 7/8	4 3/4 5	5 5 3/8	5 1/4 5 5/8	5 9/16 6	5 7/8 6 1/4	6 3/16 6 5/8	6 1/2 7	6 13/16 7 1/4	-
6"	4 3/4 5	4 7/8 5 1/8	5 5 1/4	5 1/4 5 1/2	5 3/8 5 5/8	5 5/8 6	5 7/8 6 1/4	6 3/16 6 5/8	6 1/2 7	6 13/16 7 1/4	7 1/8 7 5/8	7 7/16 8	8 1/8 8 5/8

TECHNICAL DATA

Minimum Size Anvil-Strut Channel

(To Comply with NFPA 13 Table 2-6.1 5(a) 1996 Edition)

	Channel Size	Section Mod. (in. ³)
	AS-200 1 ⁵ / ₈ " x 1 ⁵ / ₈ " x 12 ga.	.202
	AS-150 1 ⁵ / ₈ " x 2 ⁷ / ₁₆ " x 12 ga.	.391
	AS-100 1 ⁵ / ₈ " x 3 ¹ / ₄ " x 12 ga.	.628

	Channel Size	Section Mod. (in. ³)
	AS-150 BTB 1 ⁵ / ₈ " x 4 ⁷ / ₈ " x 12 ga.	1.153
	AS-100 BTB 1 ⁵ / ₈ " x 6 ¹ / ₂ " x 12 ga.	1.716

Section Modulus Required for Trapeze Members (in.³)

Span of Trapeze	Pipe Size											
	1"	1 ¹ / ₄ "	1 ¹ / ₂ "	2"	2 ¹ / ₂ "	3"	3 ¹ / ₂ "	4"	5"	6"	8"	10"
1 ft. 6 in.	.08	.09	.09	.09	.10	.11	.12	.13	.15	.18	.24	.32
	.08	.09	.09	.10	.11	.12	.13	.15	.18	.22	.30	.41
2 ft. 0 in.	.11	.12	.12	.13	.13	.15	.16	.17	.20	.24	.32	.43
	.11	.12	.12	.13	.15	.16	.18	.20	.24	.29	.40	.55
2 ft. 6 in.	.14	.14	.15	.16	.17	.18	.20	.21	.25	.30	.40	.54
	.14	.15	.15	.16	.18	.21	.22	.25	.30	.36	.50	.68
3 ft. 0 in.	.17	.17	.18	.19	.20	.22	.24	.26	.31	.36	.48	.65
	.17	.18	.18	.20	.22	.25	.27	.30	.36	.43	.60	.82
4 ft. 0 in.	.22	.23	.24	.25	.27	.29	.32	.34	.41	.48	.64	.87
	.22	.24	.24	.26	.29	.33	.36	.40	.48	.58	.80	1.09
5 ft. 0 in.	.28	.29	.30	.31	.34	.37	.40	.43	.51	.59	.80	1.08
	.28	.29	.30	.33	.37	.41	.45	.49	.60	.72	1.00	1.37
6 ft. 0 in.	.33	.35	.36	.38	.41	.44	.48	.51	.61	.71	.97	1.30
	.34	.35	.36	.39	.44	.49	.54	.59	.72	.87	1.20	1.64
7 ft. 0 in.	.39	.40	.41	.44	.47	.52	.55	.60	.71	.83	1.13	1.52
	.39	.41	.43	.46	.51	.58	.63	.69	.84	1.01	1.41	1.92
8 ft. 0 in.	.44	.46	.47	.50	.54	.59	.63	.68	.81	.95	1.29	1.73
	.45	.47	.49	.52	.59	.66	.72	.79	.96	1.16	1.61	
9 ft. 0 in.	.50	.52	.53	.56	.61	.66	.71	.77	.92	1.07	1.45	
	.50	.53	.55	.59	.66	.74	.81	.89	1.08	1.30		
10 ft. 0 in.	.56	.58	.59	.63	.68	.74	.79	.85	1.02	1.19	1.61	
	.56	.59	.61	.65	.74	.82	.90	.99	1.20	1.44		

Top values are for Schedule 10 pipe; bottom values are for Schedule 40 pipe.

INDEX

PRODUCT	DESCRIPTION	DATA	PRICING
CHANNEL			
AS 100	3¼" x 1½" 12 Gauge Channel	.17	.26
AS 100BTB	6½" x 1½" 12 Gauge Back-to-Back Channel	.17	.26
AS 150	27/16" x 1½" 12 Gauge Channel	.18	.27
AS 150BTB	47/8" x 1½" 12 Gauge Back-to-Back Channel	.18	.27
AS 200	1½" x 1½" 12 Gauge Channel	.19	.28
AS 200BTB	3¼" x 1½" 12 Gauge Back-to-Back Channel	.19	.28
AS 210	1½" x 1½" 14 Gauge Channel	.20	.30
AS 210BTB	3¼" x 1½" 14 Gauge Back-to-Back Channel	.20	.30
AS 300	1¾" x 1½" 12 Gauge Channel	.21	.31
AS 300BTB	2¾" x 1½" 12 Gauge Back-to-Back Channel	.21	.31
AS 400	1" x 1½" 12 Gauge Channel	.22	.32
AS 400BTB	2" x 1½" 12 Gauge Back-to-Back Channel	.22	.32
AS 500	13/16" x 1½" 14 Gauge Channel	.23	.33
AS 500BTB	1½" x 1½" 14 Gauge Back-to-Back Channel	.23	.33
AS 520	13/16" x 1½" 12 Gauge Channel	.24	.34
AS 520BTB	1½" x 1½" 12 Gauge Back-to-Back Channel	.24	.34
AS 560	13/16" x 1½" 16 Gauge Channel	.25	.35
AS 707	Raceway Closure Strip	—	.35
AS 707P	Painted Closure Strip	—	.35

CHANNEL NUTS & HARDWARE

AS LS	Clamping Nut with Long Spring	.36	.37
AS NS	Clamping Nut without Spring	.36	.37
AS RS	Clamping Nut with Regular Spring	.36	.37
AS SS	Clamping Nut with Short Spring	.36	.37
AS TG	Top Grip Nut with Spring on Top	.36	.38
AS 517	Stud Nut with RS Spring	—	.38
AS 3281	Double Conveyor Adjusting Nuts	—	.38
AS 83	Hexagon Nut	—	.38
Fig. 135	Rod Coupling	—	.38
Fig. 146	Continuous Threaded Rod	—	.38
AS 203	Linked Eyelet with Stud	—	.39
AS 209	Flat Washer	—	.39
AS 211	Lock Washer	—	.39
AS 230	Fender Washer	—	.39
AS 6075	Slotted Hex Head Machine Screw	—	.39
AS 6108	Square Nut	—	.39
AS 3500	Seismic Rod Stiffener	—	.40
AS 6024	Hex Head Cap Screw	—	.40

INDEX

PRODUCT DESCRIPTION	PAGE	PRODUCT DESCRIPTION	PAGE
FITTINGS AND ACCESSORIES			
AS 85	Rod or Insulator Support	AS 687	Slotted "U" Support
Fig. 86	Clamp with Lock Nut	AS 689	Adj. Double Slotted Corner Connector .50
Fig. 93	Top Beam "C" Clamp (3/8" - 1/2")	AS 708	Single Channel Bracket Support
Fig. 94	Top Beam "C" Clamp (5/8" - 3/4")	AS 710	"U" Support
Fig. 95	Clamp with Lock Nut	AS 711	"Z" Support
AS 135X	Beam Clamp Light Duty	AS 712	Cross Plate
AS 601	Two Hole Splice Plate	AS 714	"T" Plate
AS 602	Three Hole Splice Plate	AS 715	"T" Plate 90° Angle
AS 603	Two Hole End Angle	AS 718	Flat Angle Plate
AS 604	Two Hole Corner Angle	AS 719	Four Hole Corner Plate
AS 605	Three Hole Corner Angle	AS 720	RH/LH Angle Plate Connector
AS 606	Three Hole Corner Angle	AS 721	"U" Support
AS 607	Four Hole Corner Angle	AS 732	Shelf Bracket
AS 609	Two Hole Offset "Z" Support	AS 733	Six Hole "U" Support
AS 611	"Z" Support	AS 735	Eight Hole "U" Support
AS 612	"Z" Support	AS 744	Flat Corner Connector
AS 613	"U" Support	AS 745	Three Hole Corner Angle
AS 614	Four Hole Joint Angle Connector	AS 747	Symmetrical Four Hole Connector
AS 615	Five Hole Shelf Joint Angle Connector .44	AS 748	Four Hole Corner Joint Connector
AS 616	Four Hole Splice Clevis	AS 750	Four Hole Corner Connector
AS 617	Three Hole Swivel Plate	AS 763 & AS 764	Slotted Adj. Corner Angle
AS 619	Square Washer	AS 781	Four Hole Open Angle Connector
AS 620	Two Hole Connecting Plate	AS 793	Four Hole Closed Angle Connector
AS 624	Two Hole Closed Angle Connector	AS 806	Two Hole Angle with Impressions on Both Legs
AS 629	Three Hole Splice Clevis	AS 809	Double Channel Bracket
AS 631	Two Hole Splice Clevis	AS 821	Eight Hole Double Angle Connector . . .55
AS 633	Two Hole Open Angle Connector	AS 825	RH/LH Pipe Axle Support
AS 644	Two Hole Splice Clevis	AS 838	RH/LH 6" thru 30" Shelf Bracket
AS 645	Three Hole Splice Clevis	AS 854	Flat Connector
AS 646	Four Hole Splice Clevis	AS 855	Angular "I" Beam Clamp
AS 651	Reversible Strut Bracket	AS 858	Heavy Duty Suspension Rod Beam Clamps
AS 655 & AS 656	Type "A" End Cap	AS 865	Wide Throat Heavy Duty Beam Clamp .56
AS 661 T1	Strut Bracket (Slot Up)	AS 871	Safety Anchor Strap
AS 661 T2	Strut Bracket (Slot Down)	AS 888	Four Hole Splice Plate
AS 665	Four Hole Double Corner Connector . . .47	AS 901 & AS 902	Type "A" End Cap
AS 666	Six Hole Double Corner Connector48	AS 907	"I" Beam Clamp
AS 667	Eight Hole Double Corner Connector . .48	AS 913	Ten Hole Two Angle Clevis Connector .57
AS 668	Six Hole Three Angle Connector48	AS 921	One Hole Angle
AS 669	Twelve Hole Three Angle Clevis Connector .48	AS 922	RH/LH Two Hole Single Corner Angle Connector
AS 677	Cup Support for Standard Single Strut .48	AS 923	Five Hole Two Angle Connector58
AS 678	Three Hole "U" Support	AS 925	Symmetrical Three Hole Joint Connector .58
AS 679	"U" Support	AS 926	Strut Brace
AS 684	Beam Clamp	AS 927	Five Hole Corner Connector58
AS 685	Beam Clamp	AS 928	"Z" Support
AS 686	Beam clamp		

INDEX

PRODUCT DESCRIPTIONPAGE

FITTINGS AND ACCESSORIES (Continued)

AS 929	"U" Support	.59
AS 930	Type "A" End Cap	.59
AS 978	"U" Support	.59
AS 993	Inside Clevis	.59
AS 998	"I" Beam Clamp	.60
AS 2064	Double Column Post Base	.60
AS 2112	Cross Connector	.60
AS 2119	"U" Connector	.60
AS 2128	RH/LH Six Hole Corner Connector	.60
AS 2144	Corner Angle	.61
AS 2190	Flat Corner Connector	.61
AS 2401 - 2403	Ladder Rung	.61
AS 2404 - 2408	Wall Ladder Bracket	.61
AS 2421	45° Stair Tread Support	.61
AS 2422	37½° Stair Tread Support	.62
AS 2504	Square Washer with Channel Guide	.62
AS 2511	End Cap with Knock Out	.62
AS 2520	Two Hole Adjustment Angle	.62
AS 2521	Two Wheel Trolley	.62
AS 2522	Four Wheel Trolley	.63
AS 2524	Two Wheel Light Duty Trolley	.63
AS 2525	Four Wheel Light Duty Trolley	.63
AS 2528	Trolley Beam Standard Support	.63
AS 2528-1	Trolley Beam Joint Support	.63
AS 2545	Slotted 90° Angle	.64
AS 2560 & 2561	Conduit Connector Fitting Assembly	.64
AS 2580	Type "A" End Cap	.64
AS 2601	"Z" Support	.64
AS 2623	Swivel Adapter	.64
AS 2627	Spacer Clevis	.65
AS 2631	Swing Gate Fixture Hanger	.65
AS 2631D	Swing Gate Fixture Hanger	.65
AS 2648	"U" Support	.65
AS 2651	Beam Clamp	.66
AS 2654 & 2654A	Column Attachment	.66
AS 2656	"U" Bolt Beam Clamp with Hook	.66
AS 2657	Double "U" Bolt Beam Clamp	.66
AS 3013	Single Column Post Base	.66
AS 3025	Post Base	.67
AS 3029	Double Column Post Base	.67
AS 3033	Post Base	.67
AS 3040	Post Base	.67
AS 3049	Two Hole Slotted 90° Corner Connector	.67
AS 3060	Offset Connector	.68
AS 3064	Double Column Post Base	.68

PRODUCT DESCRIPTIONPAGE

AS 3164	Double Channel Bracket Support	.68
AS 3373	Universal Angle Bracket	.68
AS 6153	Safety End Cap	.68
AS 9400	Adjustable Base	.69
AS 9402	Two Hole Hinge Connector	.69
AS 9403	Three Hole Hinge Connector	.69
AS 9404	Four Hole Hinge Connector	.69

PIPE AND CONDUIT SUPPORTS

AS 51	Right Angle Pipe or Conduit Clamp	70
Fig. 67	Pipe or Conduit Hanger	70
Fig. 69	Swivel Ring Hanger	.70
Fig. 137	"U" Bolt with Nuts Long Tangent	.70
AS 270	Conduit Clamp	.71
AS 815	Double Roller Pipe Support	.71
AS 1000	EMT Conduit Clamps	.71
AS 1000	Pre-Assembled EMT Conduit Clamps	.71
AS 1100	Rigid Steel Conduit Clamps	.72
AS 1100	Pre-Assembled Rigid Steel Conduit and Pipe Clamps	.72
AS 1200	O.D. Tubing Clamp	.73
AS 1300	Universal Pipe Clamp	.74
AS 1300	Pre-Assembled Universal Clamp	.74
AS 1450	One-Hole Clamp for O.D. Tubing	.74
AS 1901	Pipe Roller Support	.74
AS 1902	Pipe Roller Support	.74
AS 1911	Pipe Roller	.75
AS 3101 - 3115	One Piece Cable and Conduit Clamp	.75
AS 3126	Hold Down Clamp	.75
AS 3138	Parallel Pipe Clamp	.75
AS 3792	Cushion Strip	.76
AS 004OD - 106P	Cushion Clamp Assembly	.76

KLO-SHURE®

Insulation Coupling Clevis Hanger/Ring Hanger	.77
Strut Mounted Insulation Couplings with Strut Clamp	.78

CONCRETE INSERTS

Fig. 152	Screw Concrete Insert	.79
Fig. 285	Light Weight Concrete Insert	.79
AS 349	Continuous Concrete Insert	.79 & 80
AS 449	Continuous Concrete Insert	.80
AS 653	Type "B" End Cap	.81
AS 654	Type "B" End Cap	.81
Fig. 284	Concrete Deck Insert	.81
AS 6151	Plastic Closure Strip	.81

INDEX

SPECIALTY STRUT (Stainless Steel • Zinc Dichromate • Hot Dipped Galvanized)

PRODUCT	DESCRIPTION	DATA	PRICING
AS 200 SS	1 ⁵ / ₈ " x 1 ⁵ / ₈ " 12 Gauge Channel83	.86
AS 200BTB SS	3 ¹ / ₄ " x 1 ⁵ / ₈ " 12 Gauge Back-to-Back Channel83	.86
AS 210 SS	1 ⁵ / ₈ " x 1 ⁵ / ₈ " 14 Gauge Channel84	.87
AS 210BTB SS	3 ¹ / ₄ " x 1 ⁵ / ₈ " 14 Gauge Back-to-Back Channel84	.87
AS 500	1 ³ / ₁₆ " x 1 ⁵ / ₈ " 14 Gauge Channel85	.88
AS 500BTB	1 ⁵ / ₈ " x 1 ⁵ / ₈ " 14 Gauge Back-to-Back Channel85	.88

PRODUCT	DESCRIPTION	PAGE	PRODUCT	DESCRIPTION	PAGE
AS NS SS/ZD	Clamping Nut without Spring89	AS 1100 SS/ZD	Rigid Steel Conduit Clamps.96
AS RS SS/ZD	Clamping Nut with Regular Spring89	AS 1100 SS/ZD	Pre-Assembled Rigid Steel Conduit and Pipe Clamps96
AS 601 ZD	Two Hole Splice Plate89	AS 1200 SS/ZD	O.D. Tubing Clamp97
AS 602 ZD	Three Hole Splice Plate89	AS 2651 ZD	Beam Clamp97
AS 603 ZD	Two Hole End Angle89	AS 3033 ZD	Post Base98
AS 604 ZD	Two Hole Corner Angle90	AS 3064 ZD	Double Column Post Base98
AS 605 ZD	Three Hole Corner Angle90	AS 3373 ZD	Universal Angle Bracket98
AS 606 ZD	Three Hole Corner Angle90	AS 3500 ZD	Seismic Rod Stiffener98
AS 607 ZD	Four Hole Corner Angle90			
AS 611 ZD	"Z" Support90			
AS 613 ZD	"U" Support91			
AS 616 ZD	Four Hole Splice Clevis91			
AS 619 SS/ZD	Square Washer91			
AS 624 ZD	Two Hole Closed Angle Connector91			
AS 633 ZD	Two Hole Open Angle Connector91			
AS 651 ZD	Reversible Strut Bracket92			
AS 665 ZD	Four Hole Double Corner Connector92			
AS 666 ZD	Six Hole Double Corner Connector92			
AS 667 ZD	Eight Hole Double Corner Connector92			
AS 668 ZD	Six Hole Three Angle Connector92			
AS 669 ZD	Twelve Hole Three Angle Clevis Connector93			
AS 679 ZD	"U" Support93			
AS 712 ZD	Cross Plate93			
AS 714 ZD	"T" Plate93			
AS 718 ZD	Flat Angle Plate93			
AS 720 ZD	RH & LH Angle Plate Connector94			
AS 809 ZD	Double Channel Bracket94			
AS 821 ZD	Eight Hole Double Angle Connector94			
AS 888 ZD	Four Hole Splice Plate94			
AS 913 ZD	Ten Hole Two Angle Clevis Connector94			
AS 922 ZD	RH & LH Two Hole Single Corner Angle Connector95			
AS 923 ZD	Five Hole Two Angle Connector95			
AS 928 ZD	"Z" Support95			
AS 929 ZD	"U" Support95			

TERMS AND CONDITIONS

PRICE LIST

CONDITIONS AND TERMS OF SALE

1. CONTROLLING PROVISIONS:

These terms and conditions shall control with respect to any purchase order or sale of Seller's products. No waiver, alteration or modification of these terms and conditions whether on Buyer's purchase order or otherwise shall be valid unless the waiver, alteration or modification is specifically accepted in writing and signed by an authorized representative of Seller.

2. DELIVERY:

Seller will make every effort to complete delivery of products as indicated on Seller's acceptance of an order, but Seller assumes no responsibility or liability, and will accept no back charge, for loss or damage due to delay or inability to deliver caused by acts of God, war, labor difficulties, accident, delays of carriers, by contractors or suppliers, inability to obtain materials, shortages of fuel and energy, or any other causes of any kind whatever beyond the control of Seller. Seller may terminate any contract of sale of its products without liability of any nature, by written notice to Buyer, in the event that the delay in delivery or performance resulting from any of the aforesaid causes shall continue for a period of sixty (60) days. Under no circumstances shall Seller be liable for any special or consequential damages or for loss, damage, or expense (whether or not based on negligence) directly or indirectly arising from delays or failure to give notice of delay.

3. WARRANTY:

Seller warrants for one year from the date of shipment Seller's manufactured products to the extent that Seller will replace those having defects in material or workmanship when used for the purpose and in the manner which Seller recommends. If Seller examination shall disclose to its satisfaction that the products are defective, and an adjustment is required, the amount of such adjustment shall not exceed the net sales price of the defective products and no allowance will be made for labor or expense of repairing or replacing defective products or workmanship of damage resulting from the same. Seller warrants the products which it sells of other manufacturers to the extent of the warranties of their respective makers. Where engineering design or fabrication work is supplied. Buyer's acceptance of Seller's design or of delivery of work shall relieve Seller of all further obligation, other than expressed in Seller's product warranty. THIS IS SELLER'S SOLE WARRANTY. SELLER MAKES NO OTHER WARRANTY OF ANY KIND, EXPRESSED OR IMPLIED AND ALL IMPLIED WARRANTIES OF MERCHANTABILITY AND FOR A PARTICULAR PURPOSE WHICH EXCEED SELLER'S AFORESTATED OBLIGATION ARE HEREBY DISCLAIMED BY SELLER AND EXCLUDED FROM THIS WARRANTY. Seller neither assumes, nor authorizes any person to assume for it, any other obligation in connection with the sale of its engineering designs or products. This warranty shall not apply to any products or parts of products which (a) have been repaired or altered outside of Seller's factory, in any manner; (b) have been subjected to misuse, negligence or accidents; (c) have been used in a manner contrary to Seller's instructions or recommendations. Seller shall not be responsible for design errors due to inaccurate or incomplete information supplied by Buyer or its representatives.

4. SELLER'S LIABILITY:

Seller will not be liable for any loss, damage, cost of repairs, incidental or consequential damages of any kind, whether based upon warranty (except for the obligation accepted by Seller under "Warranty" above), contract or negligence, arising in connection with the design, manufacture, sale, use or repair of the products or of the engineering designs supplied to Buyer

5. RETURNS:

Seller cannot accept return of any products unless its written permission has been first obtained, in which case same will be credited subject to the following: (a) all material returned must, on its arrival at Seller's Plant, be found to be in first-class condition; if not, cost of putting in saleable condition will be deducted from credit memoranda; (b) a handling charge deduction of twenty percent (20%) will be made from all credit memoranda issued for material returned; and (c) transportation charges, if not prepaid will be deducted from credit memoranda.

6. SHIPMENTS:

All products sent out will be carefully examined, counted and packed. The cost of any special packing or special handling caused by Buyer's requirements or requests shall be added to the amount of the order. No claim for shortages will be allowed unless made in writing within ten (10) days of receipt of a shipment. Claims for products damaged or lost in transit should be made on the carrier, as Seller's responsibility ceases, and title passes, on delivery to the carrier.

7. SPECIAL PRODUCTS:

Orders covering special or nonstandard products are not subject to cancellation except on such terms as Seller may specify on application.

8. PRICES AND DESIGNS:

Prices and designs are subject to change without notice. All prices are F.O.B. Point of shipment, unless otherwise stated.

9. TAXES:

The amount of any sales, excise or other taxes, if any, applicable to the products covered by this order, shall be paid by Buyer unless Buyer provides Seller with an exemption certificate acceptable to the taxing authorities.

10. NUCLEAR PLANTS:

Where the products, engineering design or fabrication are utilized in nuclear plant applications, Buyer agrees: (a) to take all necessary steps to add Seller as an insured under the property insurance policies and nuclear liability insurance policies covering the nuclear power plant facility at which the products, engineering design or fabrication are utilized; (b) to obtain a waiver of any claims against Seller by the nuclear power plant owner and a waiver of subrogation against Seller from such owners' property insurer with respect to any loss or damage to property at the nuclear power plant site arising from the products, engineering design or fabrication; (c) to indemnify and hold Seller harmless against all claims, costs, expenses (including attorneys fees), loss, damage, or other liability that Seller would not have incurred but for Buyer's failure to comply with subsections (a) and (b) of this Section 10; and (d) to indemnify and hold Seller harmless with respect to any personal injury (or death), property damage or other loss resulting from a nuclear incident which is caused directly or indirectly by defective design, material or workmanship furnished by Seller.

11. MINIMUM INVOICE:

\$100.00 plus transportation.

12. TERMS:

Cash, net 30 days unless otherwise specified.

NOTE: All orders are accepted on the basis of prices in effect at the time of shipment.

NOTICE: The prices and terms quoted, there will be added any manufacturers or sales tax payable on the transaction under any effective statute.

FREIGHT ALLOWANCE:

All prices are F.O.B. point of shipment. On (non-engineered product) shipments of 2,500 pounds or more, rail freight or motor freight at the lowest published rates is allowed to all continental U.S. rail points or all U.S. highway points listed in published tariffs (Alaska and Hawaii excluded). In no case will more than actual freight be allowed.



Corporate Offices
110 Corporate Drive, Suite 10 • P.O. Box 3180
Portsmouth, NH 03802-3180
Tel: 603-422-8000 • Fax: 603-422-8033
E-mail address — Webmaster@anvilintl.com
www.anvilintl.com

For Sales and Service Information Contact the Regional Service Center Nearest You or Visit Our Website at www.anvilintl.com

U.S. Regional Service Centers

EASTERN REGION

Servicing: Connecticut, Delaware, Florida, Georgia, Maine, Maryland, Massachusetts, New Hampshire, New Jersey, New York, North and South Carolina, East Pennsylvania, Rhode Island, Vermont, Virginia

2530 Pearl Buck Road
Bristol, PA 19007
Tel: 215-788-4056 • Fax: 215-788-4475
Toll Free: 1-800-451-2935

WESTERN REGION

Servicing: Alaska, Arizona, California, Colorado, Hawaii, Idaho, Montana, Nevada, New Mexico, Oregon, Utah, Washington, Wyoming

1385 Greg Street
Sparks, NV 89431
Tel: 775-331-7029 • Fax: 775-331-5075
Toll Free: 1-800-572-0051

NORTHERN REGION

Servicing: Illinois, Indiana, Iowa, Kentucky, Michigan, Minnesota, Nebraska, North and South Dakota, Ohio, West Pennsylvania, West Virginia, Wisconsin

750 Central Avenue
University Park, IL 60466
Tel: 708-534-1414 • Fax: 708-534-5441
Toll Free: 1-800-301-2701

EUROPE & MIDDLE EAST REGION

Rick van Meesen, *Business Director*
The Netherlands
Tel: +31 53 5725570
Fax: +31 53 5725579
U.S. Customer Service Tel: +1 708 534 1414

LATIN AMERICA, PUERTO RICO & MEXICO

U.S. Customer Service
Tel: 708-534-1414 • Fax: 708-534-5441

SOUTHERN REGION

Servicing: Alabama, Arkansas, Kansas, Louisiana, Mississippi, Missouri, Oklahoma, Tennessee, Texas

1313 Avenue R
Grand Prairie, TX 75050
Tel: 972-343-9206 • Fax: 972-641-8946
Toll Free: 1-800-451-4414



Fire Products Division of Anvil International

ANVILSTAR CUSTOMER SERVICE CENTER

Tel: 708-534-1414 • Fax: 708-534-5441
Toll Free: 1-800-301-2701