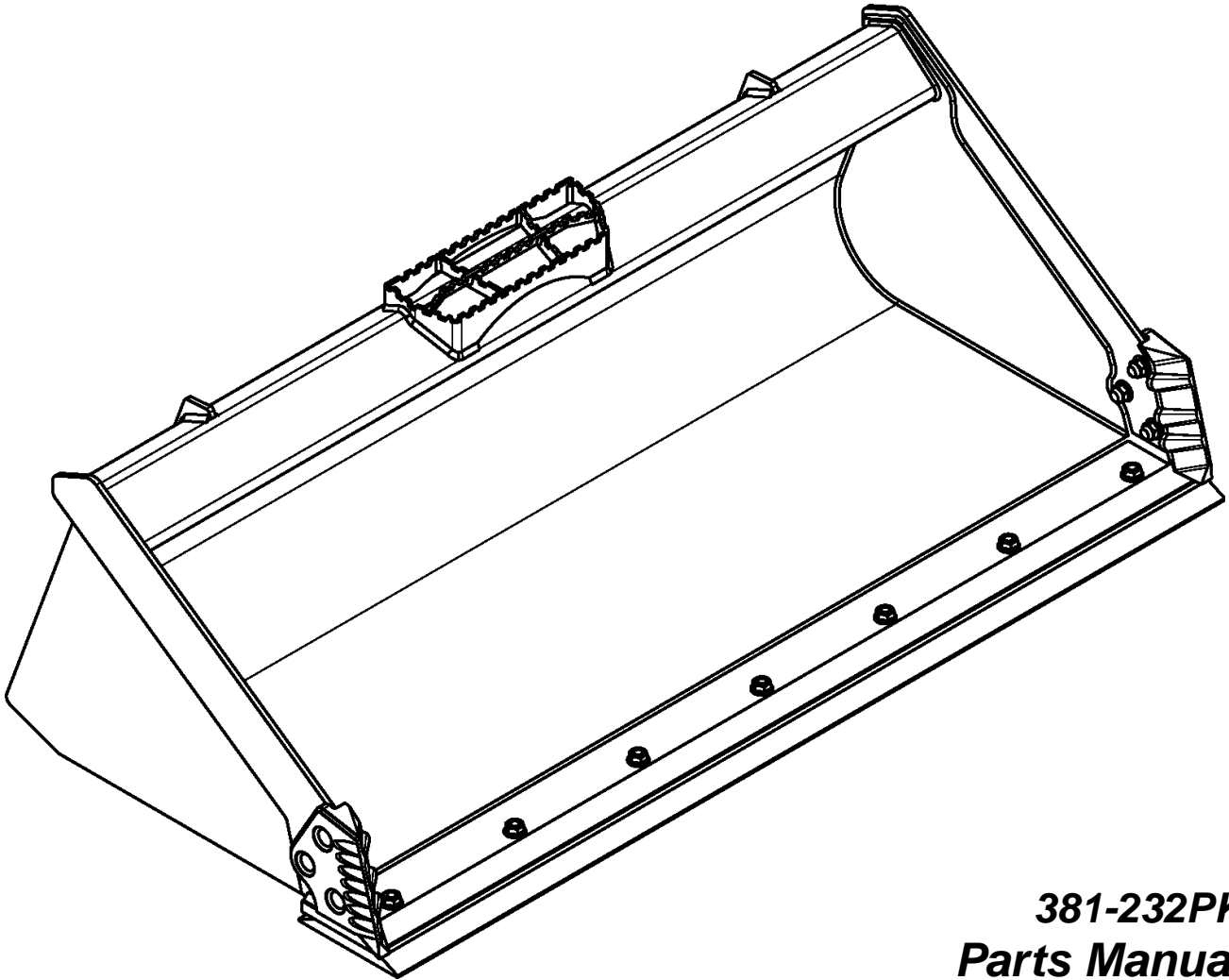


AP-HD & AP-SL Skid Steer Buckets

AP-HD & AP-SL Series



381-232PK
Parts Manual

Kubota®



Read the Operator's Manual entirely. When you see this symbol, the subsequent instructions and warnings are serious - follow without exception. Your life and the lives of others depend on it!

© Copyright 2019 Printed 10/10/19

Cover photo may show optional equipment not supplied with standard unit.



Table of Contents

Section 1: Introduction.....4
Using This Manual.....4
Manual Replacement Information.....4
Manual Revisions.....4
Touch-up Paint.....4
Hardware Legend.....5
Replacement Hardware.....5
Serial Numbers.....5
Part Number Service Coding.....5

AP-HD & AP-SL SERIES

Section 2: 66" Bucket Components.....6
66HD LPLF Bucket w/ Bolt-on Edge.....6
66HD LPLF Bucket w/Teeth.....8
66HD LPSF Bucket w/ Bolt-on Edge.....10
66HD LPSF Bucket w/Teeth.....12
Section 3: 68" Bucket Components.....14
68HD LPLF Bucket w/Bolt-on Edge.....14
68HD LPLF Bucket w/Teeth.....16
68HD LPSF Bucket w/Bolt-on Edge.....18
68HD LPSF Bucket w/Teeth.....20
68SL LPLF Bucket w/Bolt-on Edge.....22
68SL LPLF Bucket w/Teeth.....24
68SL LPSF Bucket w/Bolt-on Edge.....26
68SL LPSF Bucket w/Teeth.....28
Section 4: 74" Bucket Components.....30
74HD LPLF Bucket w/Bolt-on Edge.....30
74HD LPLF Bucket w/Teeth.....32
74HD LPSF Bucket w/Bolt-on Edge.....34
74HD LPSF Bucket w/Teeth.....36
74SL LPLF Bucket w/Bolt-on Edge.....38
74SL LPLF Bucket w/Teeth.....40
74SL LPSF Bucket w/Bolt-on Edge.....42
74SL LPSF Bucket w/Teeth.....44
Section 5: 80" Bucket Components.....46
80HD HC Bucket w/Bolt-on Edge.....46
80HD HC Bucket w/Teeth.....48
80HD LPLF Bucket w/Bolt-on Edge.....50
80HD LPLF Bucket w/Teeth.....52
80HD LPSF Bucket w/Bolt-on Edge.....54
80HD LPSF Bucket w/Teeth.....56

Part Number Index.....58

© Copyright 2019. All rights reserved.

Kubota provides this publication "as is" without warranty of any kind, either expressed or implied. While every precaution has been taken in the preparation of this manual, Kubota assumes no responsibility for errors or omissions. Neither is any liability assumed for damages resulting from the use of the information contained herein. Kubota reserves the right to revise and improve its products as it sees fit. This publication describes the state of this product at the time of its publication, and may not reflect the product in the future. The illustrations in this manual are not intended for safe and proper assembly or disassembly of equipment. The illustrations are intended for ordering parts only.

Kubota is registered trademark.

All other brands and product names are trademarks or registered trademarks of their respective holders.

Printed in the United States of America.



Alphabetized Table of Contents

AP-HD & AP-SL SERIES

6

66HD LPLF Bucket w/ Bolt-on Edge.....	6
66HD LPLF Bucket w/Teeth.....	8
66HD LPSF Bucket w/ Bolt-on Edge.....	10
66HD LPSF Bucket w/Teeth.....	12
68HD LPLF Bucket w/Bolt-on Edge.....	14
68HD LPLF Bucket w/Teeth.....	16
68HD LPSF Bucket w/Bolt-on Edge.....	18
68HD LPSF Bucket w/Teeth.....	20
68SL LPLF Bucket w/Bolt-on Edge.....	22
68SL LPLF Bucket w/Teeth.....	24
68SL LPSF Bucket w/Bolt-on Edge.....	26
68SL LPSF Bucket w/Teeth.....	28

7

74HD LPLF Bucket w/Bolt-on Edge.....	30
74HD LPLF Bucket w/Teeth.....	32
74HD LPSF Bucket w/Bolt-on Edge.....	34
74HD LPSF Bucket w/Teeth.....	36
74SL LPLF Bucket w/Bolt-on Edge.....	38
74SL LPLF Bucket w/Teeth.....	40
74SL LPSF Bucket w/Bolt-on Edge.....	42
74SL LPSF Bucket w/Teeth.....	44

8

80HD HC Bucket w/Bolt-on Edge.....	46
80HD HC Bucket w/Teeth.....	48
80HD LPLF Bucket w/Bolt-on Edge.....	50
80HD LPLF Bucket w/Teeth.....	52
80HD LPSF Bucket w/Bolt-on Edge.....	54
80HD LPSF Bucket w/Teeth.....	56

General Information

Using This Manual

This manual is divided into sections. The first section contains General Information. The remaining sections divide the machine into segments (i.e. Frames, Drives, Hydraulics, etc.) which illustrate and list all parts. A Parts Number Index is located at the back of the book.

The Kubota parts in this manual are specially designed for this machine and should be replaced with Kubota parts only.

The information in this manual is current at time of printing. Some parts may change to assure top performance.

Right-hand and left-hand as used in this manual are determined by facing the direction the machine will travel while in use.

Below is an example of two facing pages from a parts manual. Familiarize yourself with the type of information contained on these pages.

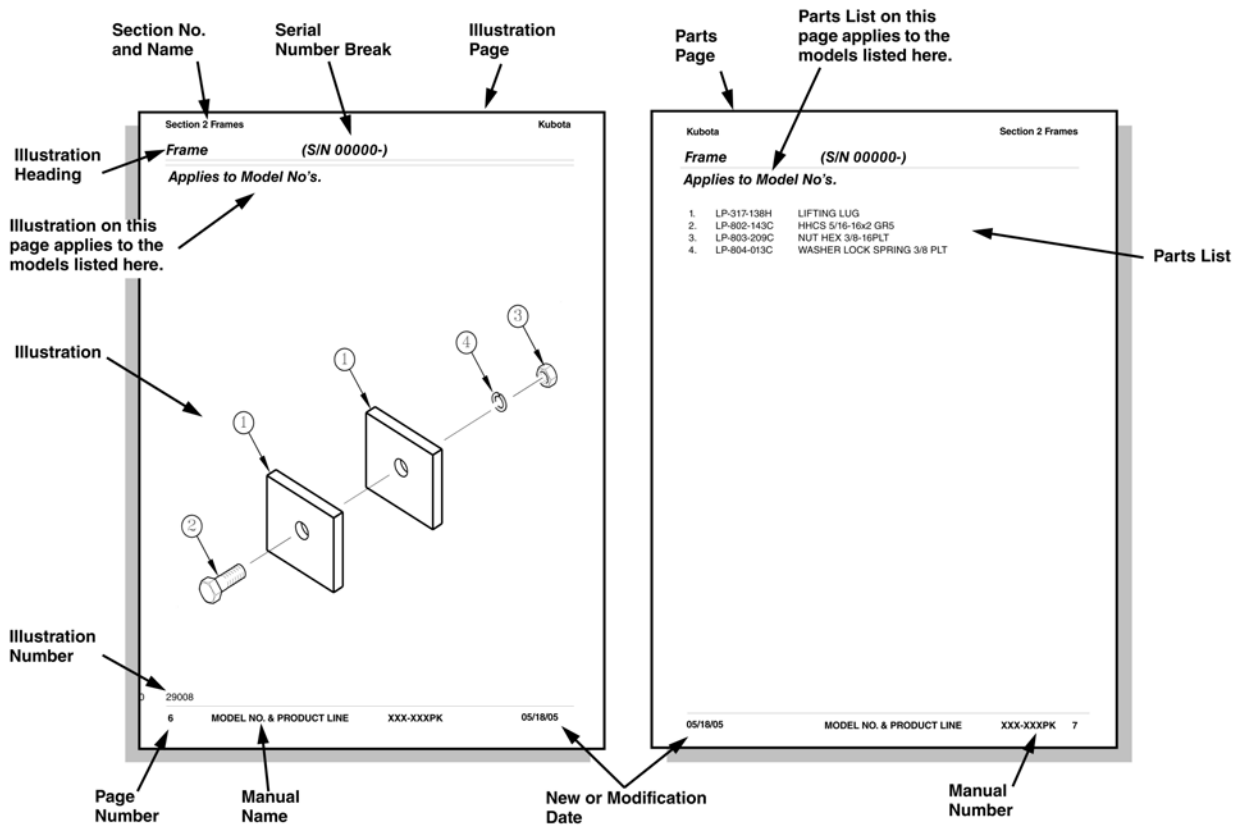
Manual Replacement Information

Replacement manuals are available. Refer to our website at www.landpride.com for additional information. Our website continues to provide the most up-to-date manuals available.

Touch-up Paint

Repaint parts where paint is worn or scratched to prevent rust. Aerosol cans and touch-up bottles with brush applicator are available through your local dealer. Also available are quart and gallon size paints. Add QT or GL to end of the Aerosol P/N.

Kubota color descriptions and part numbers are listed on the "Kubota Touch-up Paints" page in the "Decals" section of this book.



General Information

Hardware Legend

AR	As Required
BLADE	Blade Bolt
C	Cap Screw
CP	Cotter Pin
CPHSSS	Cup Point Hex Socket Set Screw
CPSHSS	Cup Point Square Head Set Screw
CPSQHSS	Cup Point Square Head Set Screw
CRFCHMS3	Cross Recess Flat Countersunk Head Machine Screw
CRPHMS	Cross Recess Pan Head Machine Screw
CRPHTFS	Cross Recess Pan Head Thread Forming
CRRHMS	Cross Recess Round Head Machine Screw
CRTHMS	Cross Recess Truss Head Machine Screw
CSNB	Countersunk Square Neck Bolt
FHMS	Flat Head Machine Screw
FTC	Full Thread Cap Screw
H	Hex Nut
HCLN	Hex Center Lock Nut
HFLCS	Hex Flange Lock Cap Screw
HFS	Hex Flange Screw
HFSLN	Hex Flange Serrated Lock Nut
HFSS	Hex Flange Serrated Screw
HHCS	Hex Head Cap Screw or Metric Bolt
HSBHCS	Hex Socket Button Head Cap Screw
HSFCHCS	Hex Socket Flat Countersunk Head Cap Screw
HSHCS	Hex Socket Head Cap Screw
HSSS	Hex Socket Head Screw
HTLN	Hex Top Lock Nut
HWHCS	Hex Washer Head Cap Screw

HWHMS	Hex Washer Head Machine Screw
HXBHCS	Hex Socket Button Head Cap Screw
J	Hex Jam Nut
JIC	37 Degree Tapered Thread
L	Helical Spring Lock Washer
LUG	Lug Bolt
NFC	National Fine Cap Screw
NPSM	National Pipe Straight Mechanical
NPTF	National Pipe Taper Fuel
P	Wide Plain Washer
PHMS	Pan Head Machine Screw
PLOW	Plow Bolt
RHMS	Round Head Machine Screw
RHSNB	Round Head Square Neck Bolt
SCREW LEVELING	Leveling Screw
SCREW THUMB	Thumb Screw
SCREW WELD	Weld Screw
SFCHMS	Slotted Flat Countersunk Head Machine Screw
SFHMS	Slotted Fillister Head Machine Screw
SP	Special
SP SCREW	Special Screw
SQHSS	Square Head Set Screw
SRHMS	Slotted Round Head Machine Screw
SSS	Socket Set Screw
STCS	Self Tapping Cap Screw
STHMS	Slotted Truss Head Machine Screw
WHEEL	Wheel Studs and Hub Long Bolts
WING	Wing Bolt

Replacement Hardware

The **Hardware Legend** above lists hardware abbreviations used in the parts list. All bolts and nuts are Grade 5 unless otherwise noted. The use of improper grades of hardware can result in personal injury, damage to equipment, or loss of property.

Part Number Service Coding

Within the parts list some part numbers are coded for revisions and interchangeability. See notations in revision column.

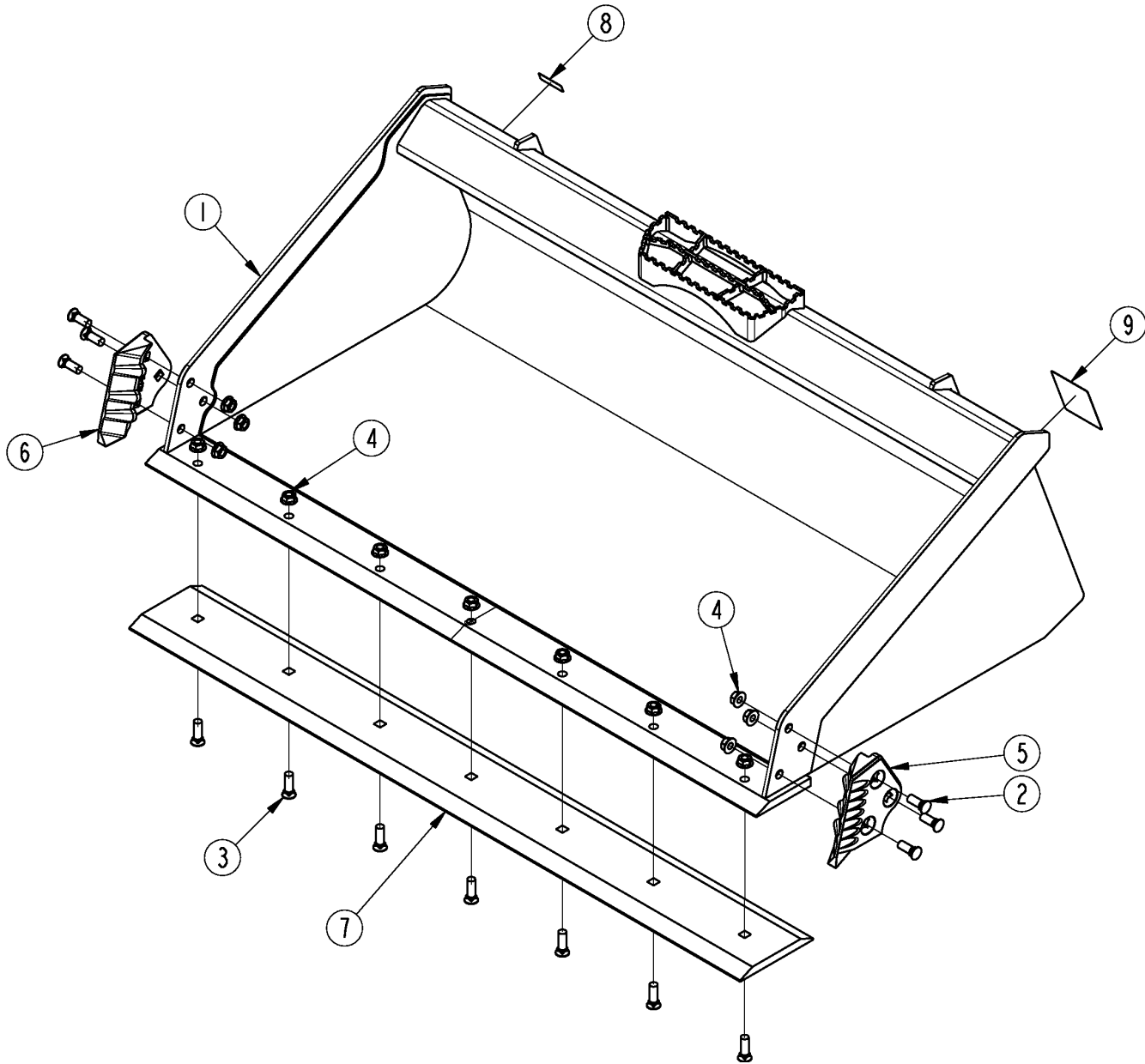
Serial Numbers

Always use the serial and model number when ordering parts. Refer to the Operator's Manual for serial number plate location.

- (S/N 20001+) Includes serial numbers 20001 and above (to the latest number)
- (S/N 10001 to 20000) Includes serial numbers between and including 10001 and 20000
- (S/N 10000-) Includes serial numbers 10000 and below (to the earliest number)

66HD LPLF Bucket w/ Bolt-on Edge

Applies to AP-HD66LLC



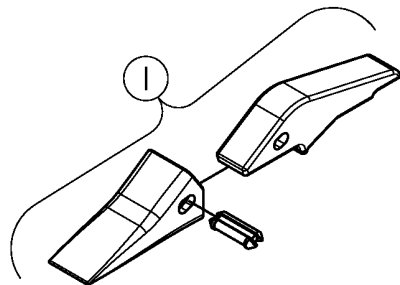
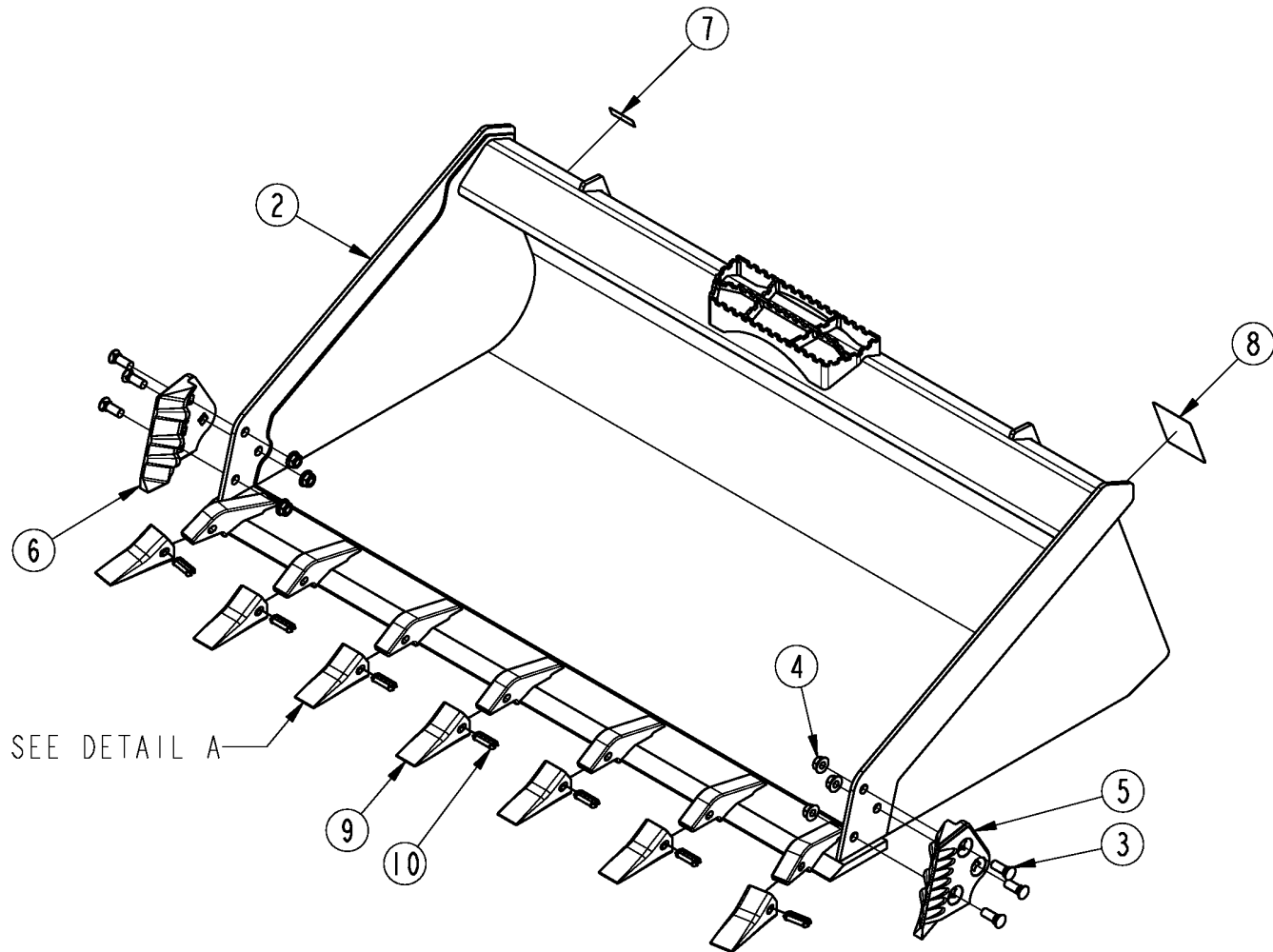
72801

66HD LPLF Bucket w/ Bolt-on Edge**Applies to AP-HD66LLC**

Ref	Part No.	Part Description	Comments	Revision
	Dwg 72801	Image No.		
	381-198A	66HD LPLF BUCKET With Bolt-on Edge		
1.	381-202H	66SVL LPLF BUCKET W/O TEETH		
2.	802-206C	PLOW 5/8-11X1 3/4 GR5		
3.	802-288C	PLOW 5/8-11X2 GR5		
4.	803-304C	NUT HEX WHIZ 5/8-11 PLT		
5.	812-497C	BUCKET SIDE CUTTER LH		
6.	812-498C	BUCKET SIDE CUTTER RH		
7.	820-593C	CUTTING EDGE 3/4X8X8.5		
8.	844-120C	DECAL MODEL # AP-HD66LLC		
9.	858-237C	DECAL, DIG SAFE		

66HD LPLF Bucket w/Teeth

Applies to AP-HD66LLT



DETAIL A

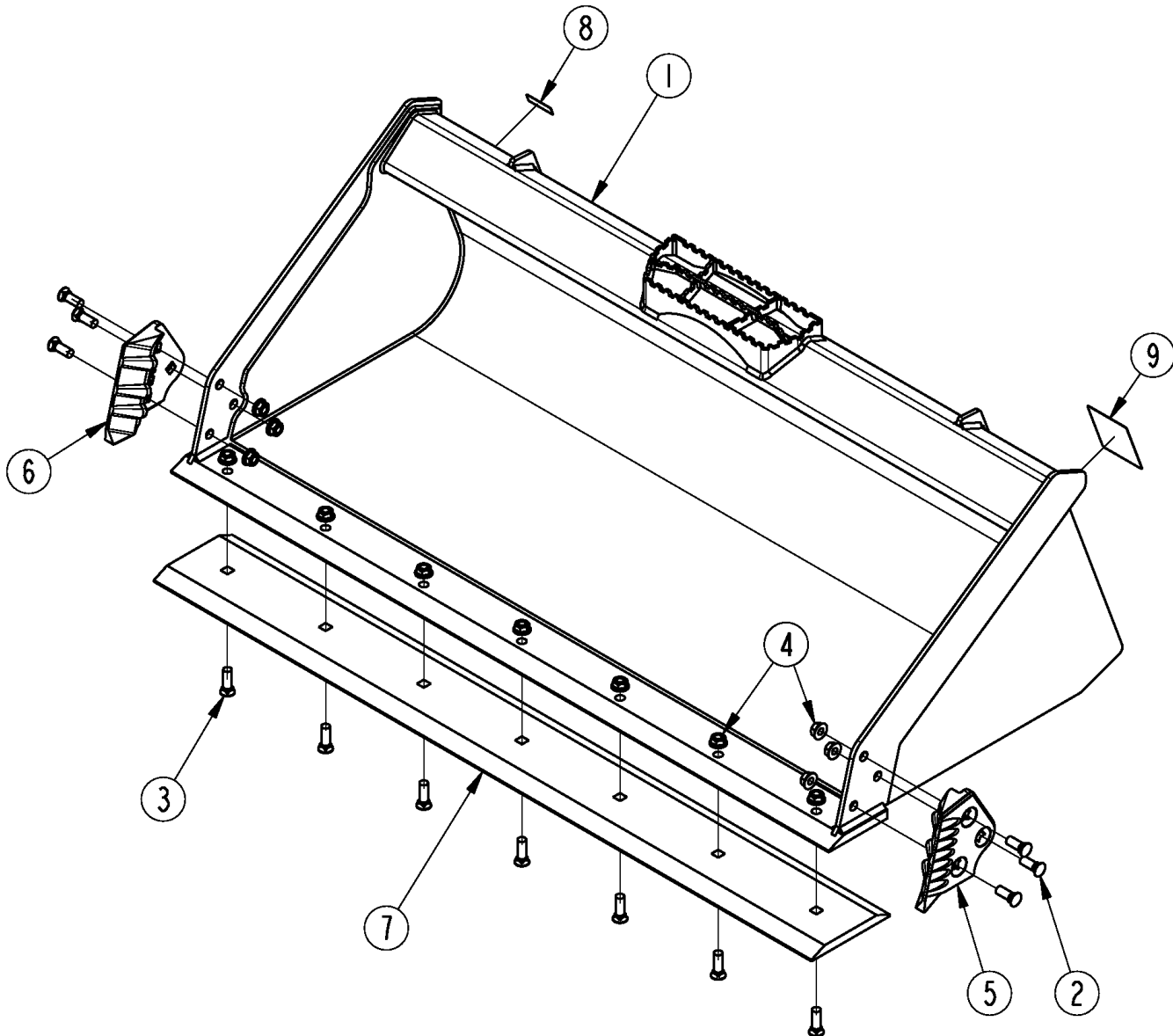
72803

66HD LPLF Bucket w/Teeth**Applies to AP-HD66LLT**

Ref	Part No.	Part Description	Comments	Revision
	Dwg 72803	Image No.		
	381-196A	66HD LPLF BUCKET W/TEETH		
1.	381-020S	ASY, WELD ON TOOTH		
2.	381-200H	66SVL LPLF BUCKET WMT W/TEETH		
3.	802-206C	PLOW 5/8-11X1 3/4 GR5		
4.	803-304C	NUT HEX WHIZ 5/8-11 PLT		
5.	812-497C	BUCKET SIDE CUTTER LH		
6.	812-498C	BUCKET SIDE CUTTER RH		
7.	844-121C	DECAL MODEL # AP-HD66LLT		
8.	858-237C	DECAL, DIG SAFE		
9.	891-518C	PIN ON TOOTH		
10.	891-519C	TOOTH LOCKING PIN		

66HD LPSF Bucket w/ Bolt-on Edge

Applies to AP-HD66LC



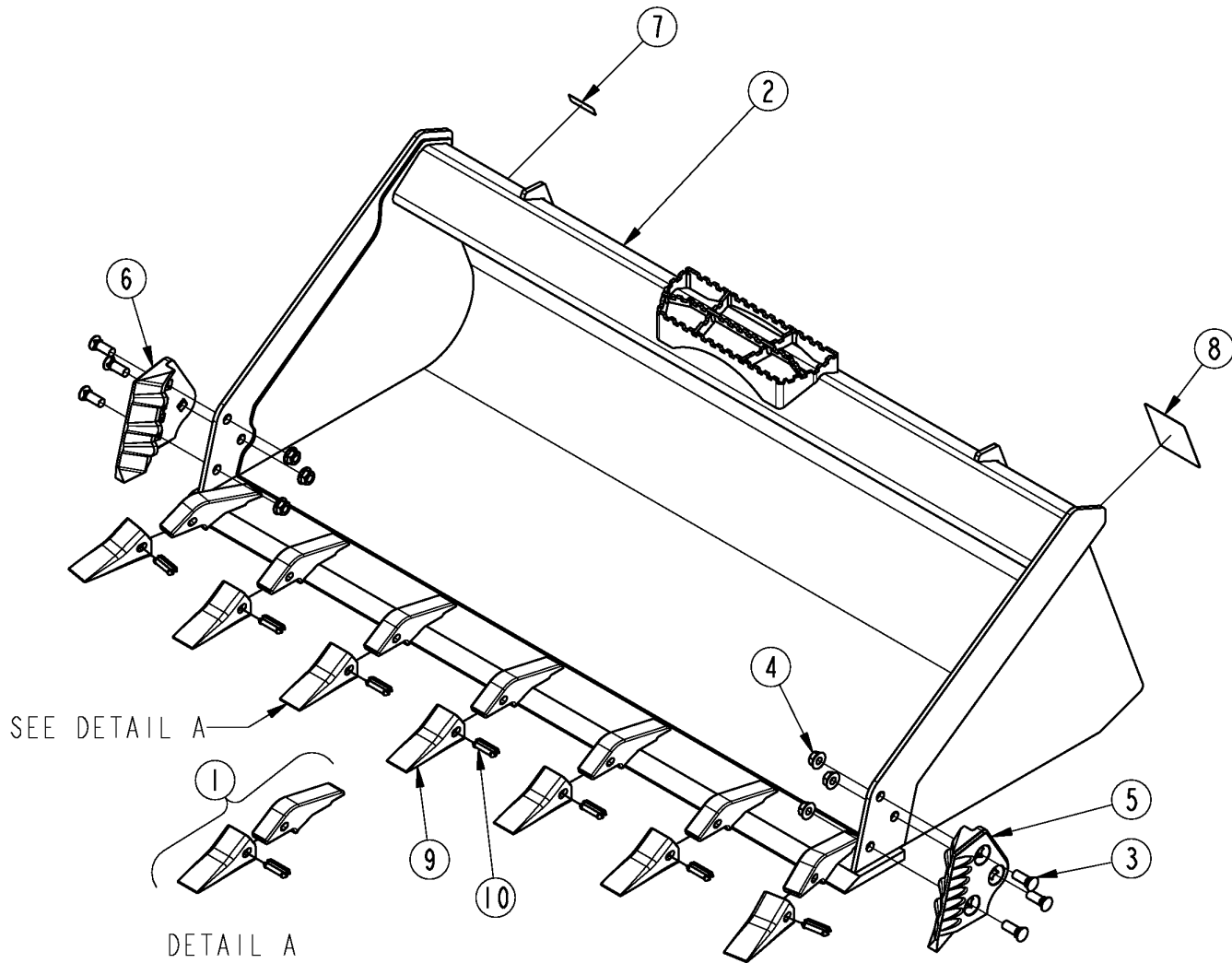
72800

66HD LPSF Bucket w/ Bolt-on Edge**Applies to AP-HD66LC**

Ref	Part No.	Part Description	Comments	Revision
	Dwg 72800	Image No.		
	381-199A	66HD LPSF BUCKET W/BOE		
1.	381-203H	66SVL LPSF BUCKET WMT W/OTEETH		
2.	802-206C	PLOW 5/8-11X1 3/4 GR5		
3.	802-288C	PLOW 5/8-11X2 GR5		
4.	803-304C	NUT HEX WHIZ 5/8-11 PLT		
5.	812-497C	BUCKET SIDE CUTTER LH		
6.	812-498C	BUCKET SIDE CUTTER RH		
7.	820-593C	CUTTING EDGE 3/4X8X8.5		
8.	844-119C	DECAL MODEL # AP-HD66LC		
9.	858-237C	DECAL, DIG SAFE		

66HD LPSF Bucket w/Teeth

Applies to AP-HD66LT



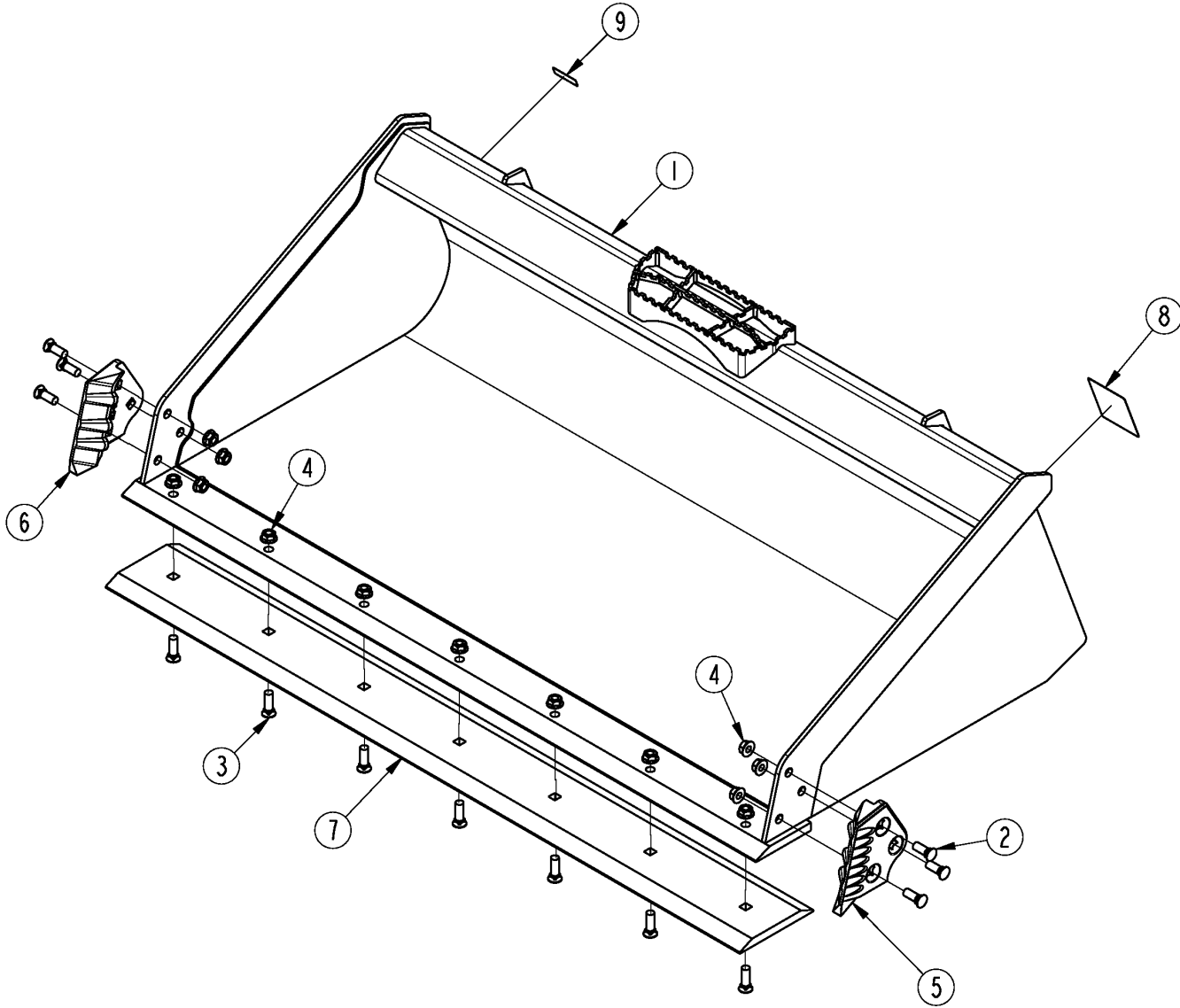
72804

66HD LPSF Bucket w/Teeth**Applies to AP-HD66LT**

Ref	Part No.	Part Description	Comments	Revision
	Dwg 72804	Image No.		
	381-197A	66HD LPSF BUCKET W/TEETH		
1.	381-020S	ASY, WELD ON TOOTH		
2.	381-201H	66SVL LPSF BUCKET WMT W/TEETH		
3.	802-206C	PLOW 5/8-11X1 3/4 GR5		
4.	803-304C	NUT HEX WHIZ 5/8-11 PLT		
5.	812-497C	BUCKET SIDE CUTTER LH		
6.	812-498C	BUCKET SIDE CUTTER RH		
7.	844-122C	DECAL MODEL # AP-HD66LT		
8.	858-237C	DECAL, DIG SAFE		
9.	891-518C	PIN ON TOOTH		
10.	891-519C	TOOTH LOCKING PIN		

68HD LPLF Bucket w/Bolt-on Edge

Applies to AP-HD68LLC



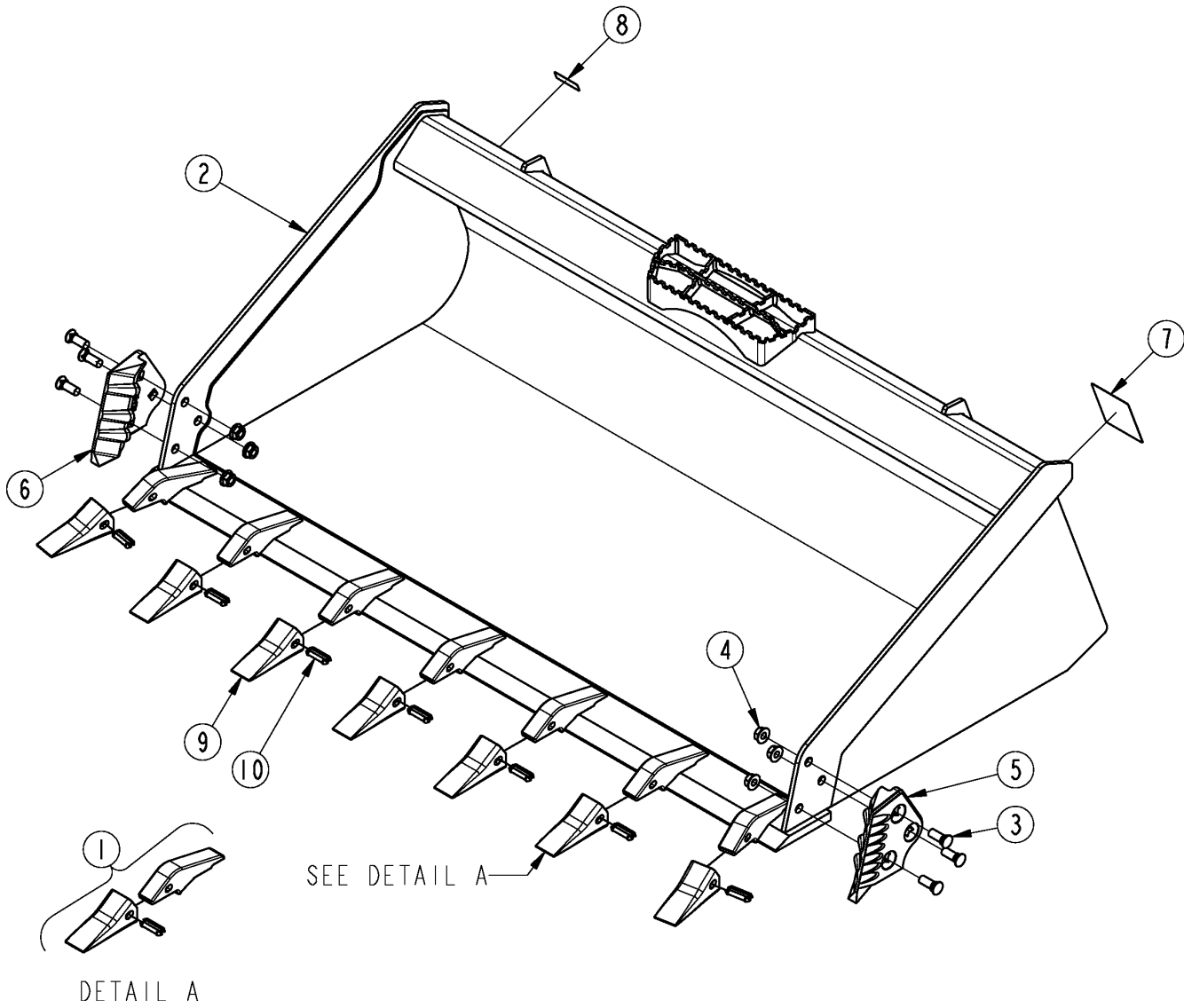
39137

68HD LPLF Bucket w/Bolt-on Edge**Applies to AP-HD68LLC**

Ref	Part No.	Part Description	Comments	Revision
	Dwg 39137	Image No.		
	381-035A	68HD LPLF BUCKET W/BOE		
1.	381-023H	68SVL LPLF BUCKET WMT W/OTEETH		
2.	802-206C	PLOW 5/8-11X1 3/4 GR5		
3.	802-288C	PLOW 5/8-11X2 GR5		
4.	803-304C	NUT HEX WHIZ 5/8-11 PLT		
5.	812-497C	BUCKET SIDE CUTTER LH		
6.	812-498C	BUCKET SIDE CUTTER RH		
7.	820-554C	CUTTING EDGE,68" BUCKT BLT ON		
8.	858-237C	DECAL, DIG SAFE		
9.	858-427C	DECAL MODEL # AP-HD68LLC		

68HD LPLF Bucket w/Teeth

Applies to AP-HD68LLT

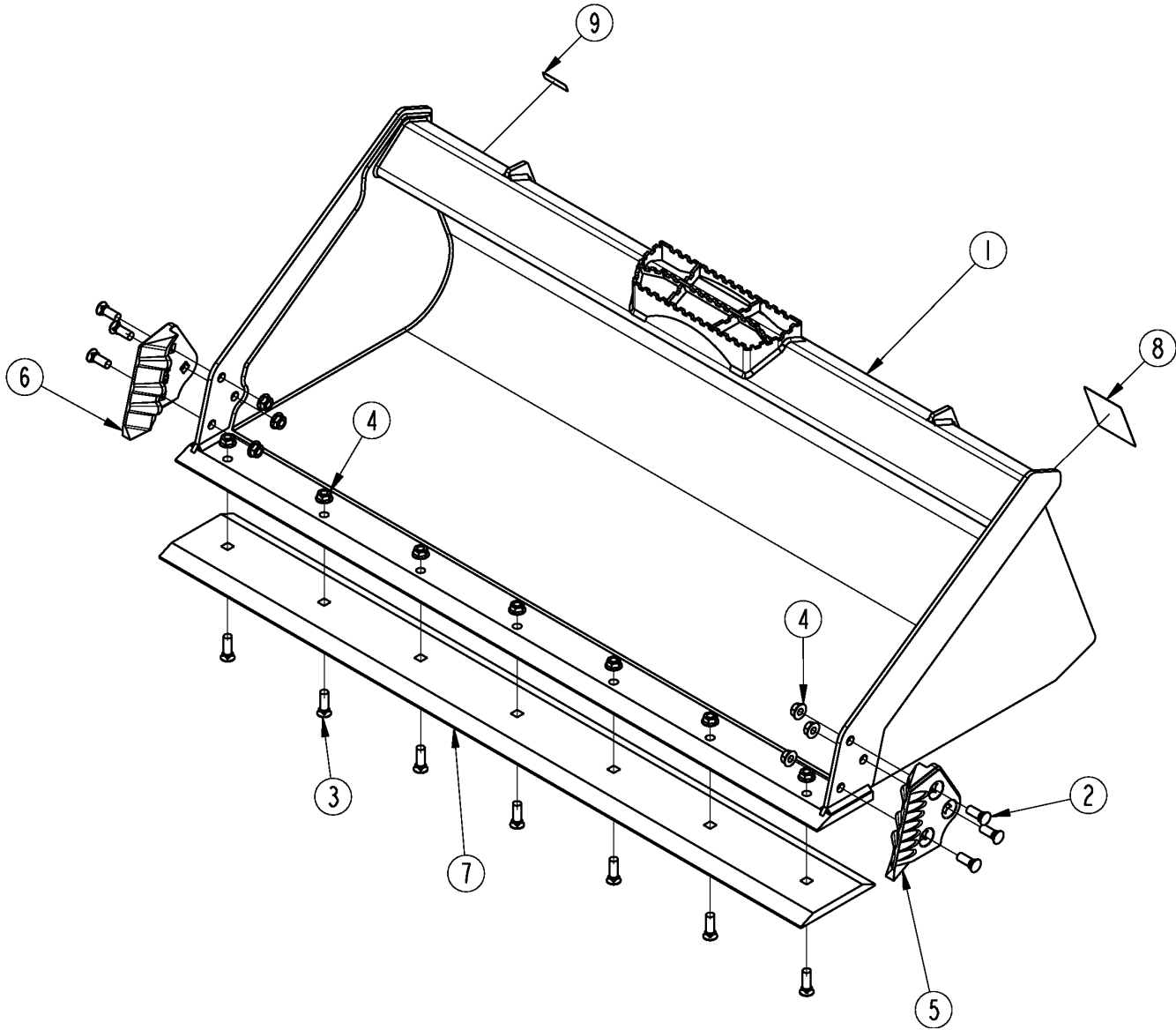


68HD LPLF Bucket w/Teeth**Applies to AP-HD68LLT**

Ref	Part No.	Part Description	Comments	Revision
	Dwg 39136	Image No.		
	381-033A	68HD LPLF BUCKET W/TEETH		
1.	381-020S	ASY, WELD ON TOOTH		
2.	381-021H	68SVL LPLF BUCKET WMT W/TEETH		
3.	802-206C	PLOW 5/8-11X1 3/4 GR5		
4.	803-304C	NUT HEX WHIZ 5/8-11 PLT		
5.	812-497C	BUCKET SIDE CUTTER LH		
6.	812-498C	BUCKET SIDE CUTTER RH		
7.	858-237C	DECAL, DIG SAFE		
8.	858-430C	DECAL MODEL # AP-HD68LLT		
9.	891-518C	PIN ON TOOTH		
10.	891-519C	TOOTH LOCKING PIN		

68HD LPSF Bucket w/Bolt-on Edge

Applies to AP-HD68LC



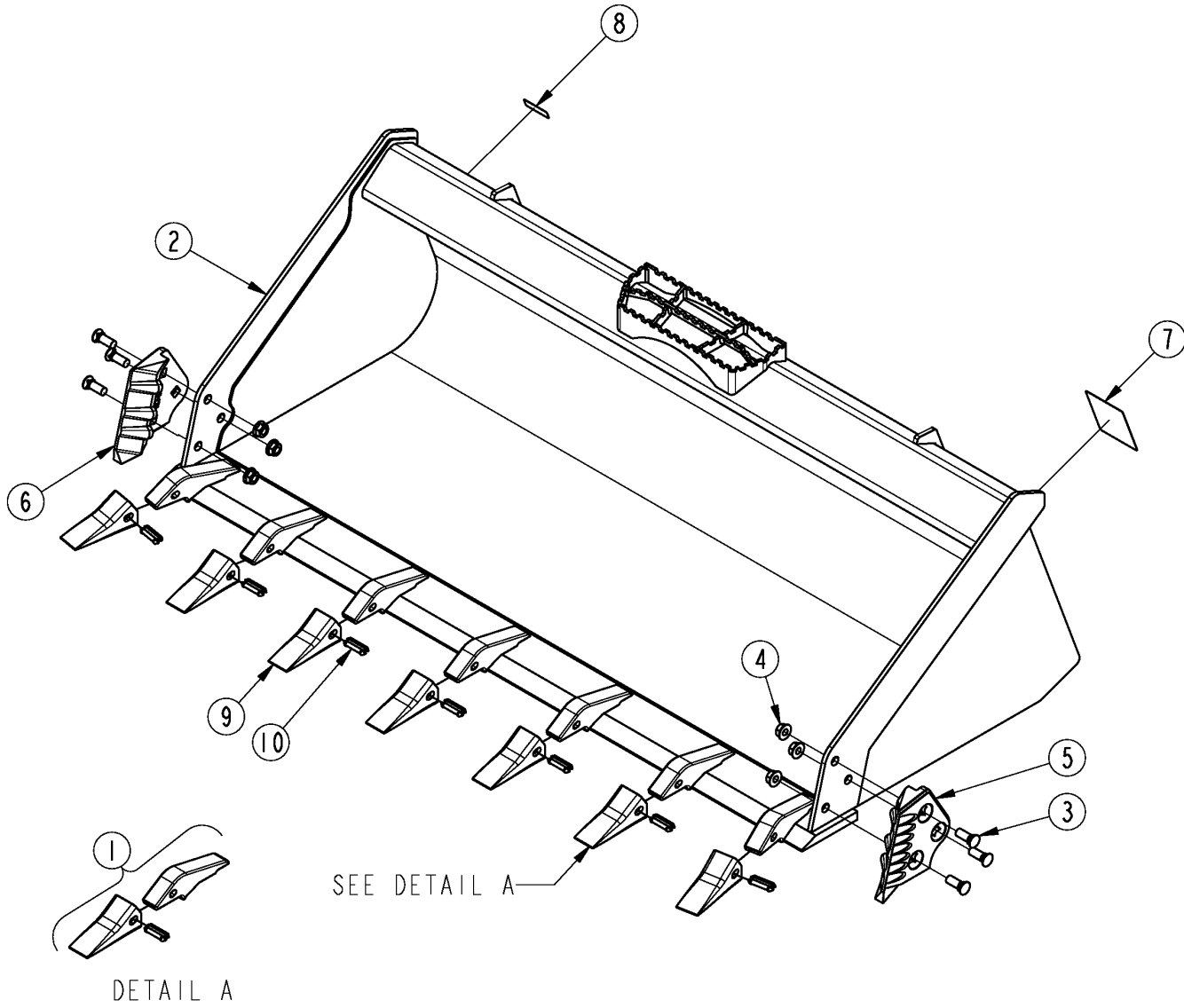
39135

68HD LPSF Bucket w/Bolt-on Edge**Applies to AP-HD68LC**

Ref	Part No.	Part Description	Comments	Revision
	Dwg 39135	Image No.		
	381-036A	68HD LPSF BUCKET W/BOE		
1.	381-024H	68SVL LPSF BUCKET WMT W/OTEETH		
2.	802-206C	PLOW 5/8-11X1 3/4 GR5		
3.	802-288C	PLOW 5/8-11X2 GR5		
4.	803-304C	NUT HEX WHIZ 5/8-11 PLT		
5.	812-497C	BUCKET SIDE CUTTER LH		
6.	812-498C	BUCKET SIDE CUTTER RH		
7.	820-554C	CUTTING EDGE,68" BUCKT BLT ON		
8.	858-237C	DECAL, DIG SAFE		
9.	858-421C	DECAL MODEL # AP-HD68LC		

68HD LPSF Bucket w/Teeth

Applies to AP-HD68LT

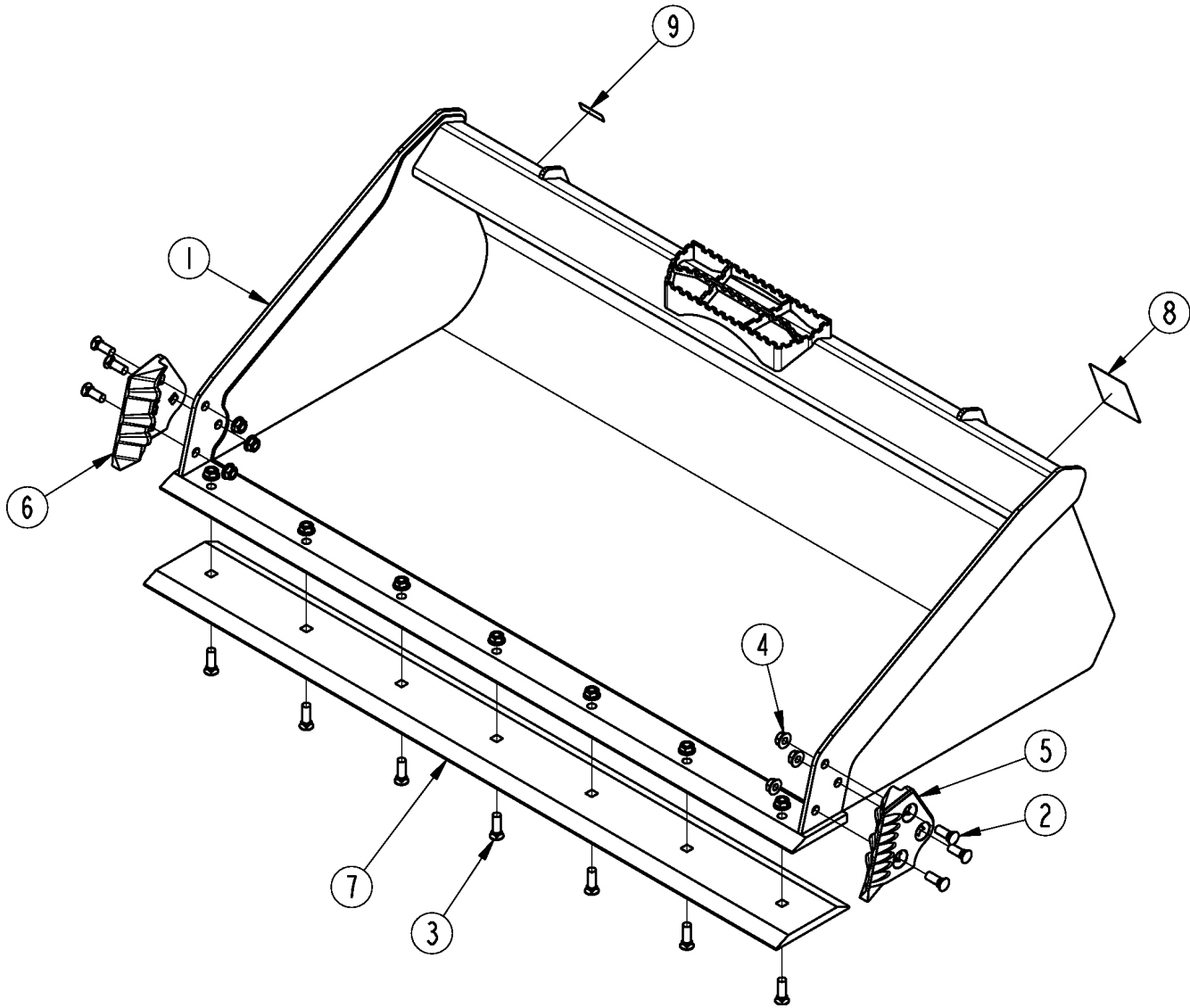


68HD LPSF Bucket w/Teeth**Applies to AP-HD68LT**

Ref	Part No.	Part Description	Comments	Revision
	Dwg 39134	Image No.		
	381-034A	68HD LPSF BUCKET W/TEETH		
1.	381-020S	ASY, WELD ON TOOTH		
2.	381-022H	68SVL LPSF BUCKET WMT W/TEETH		
3.	802-206C	PLOW 5/8-11X1 3/4 GR5		
4.	803-304C	NUT HEX WHIZ 5/8-11 PLT		
5.	812-497C	BUCKET SIDE CUTTER LH		
6.	812-498C	BUCKET SIDE CUTTER RH		
7.	858-237C	DECAL, DIG SAFE		
8.	858-424C	DECAL MODEL # AP-HD68LT		
9.	891-518C	PIN ON TOOTH		
10.	891-519C	TOOTH LOCKING PIN		

68SL LPLF Bucket w/Bolt-on Edge

Applies to AP-SL68SLLC



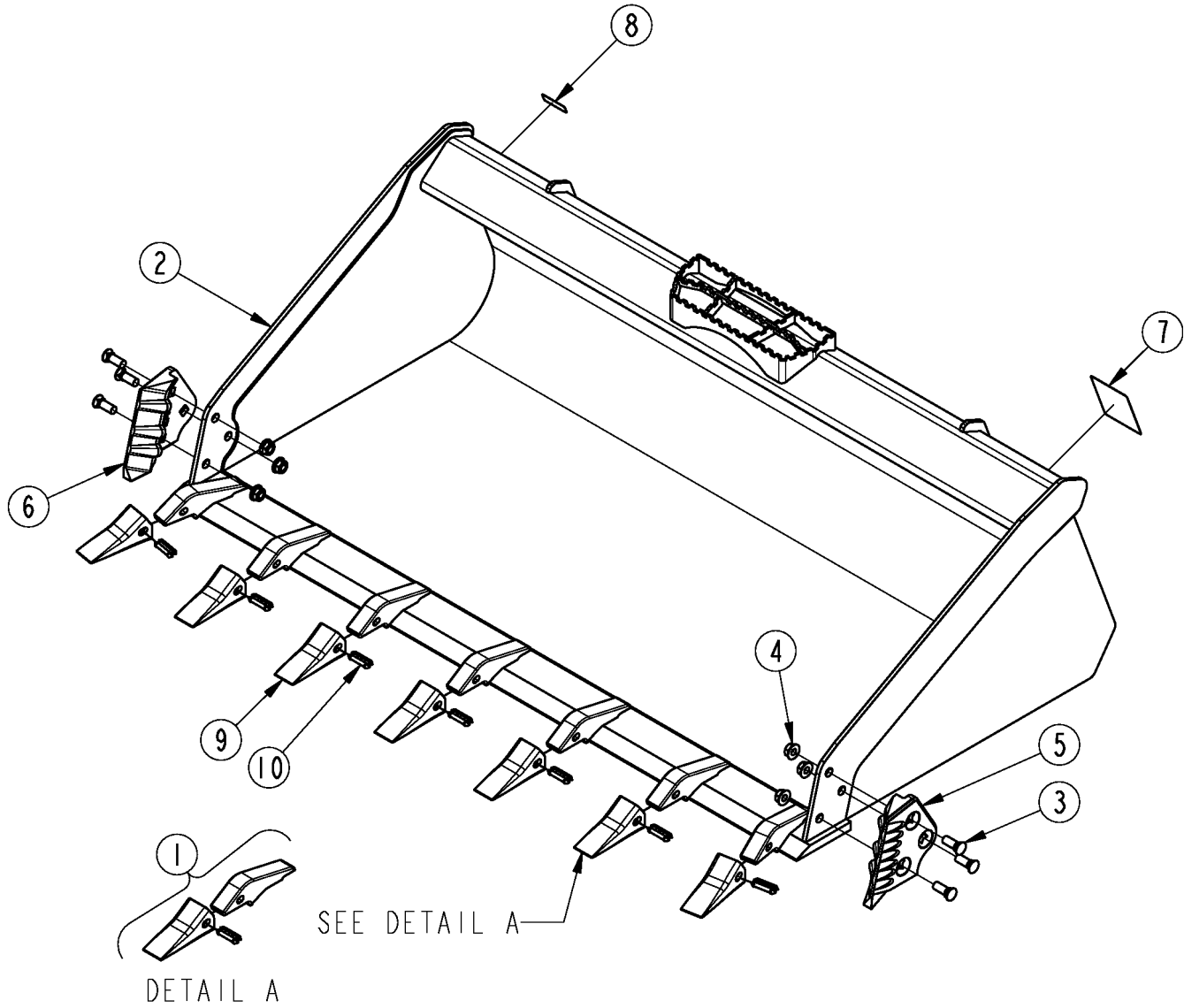
37762

68SL LPLF Bucket w/Bolt-on Edge**Applies to AP-SL68SLLC**

Ref	Part No.	Part Description	Comments	Revision
	Dwg 37762	Image No.		
	381-060A	ASY, 68" LFLP BUCKET WO/TEETH		
1.	381-045H	WMT, 68" LFLP BUCKET WO/TEETH		
2.	802-206C	PLOW 5/8-11X1 3/4 GR5		
3.	802-288C	PLOW 5/8-11X2 GR5		
4.	803-304C	NUT HEX WHIZ 5/8-11 PLT		
5.	812-497C	BUCKET SIDE CUTTER LH		
6.	812-498C	BUCKET SIDE CUTTER RH		
7.	820-554C	CUTTING EDGE,68" BUCKT BLT ON		
8.	858-237C	DECAL, DIG SAFE		
9.	858-411C	DECAL MODEL # AP-SL68SLLC		

68SL LPLF Bucket w/Teeth

Applies to AP-SL68SLLT



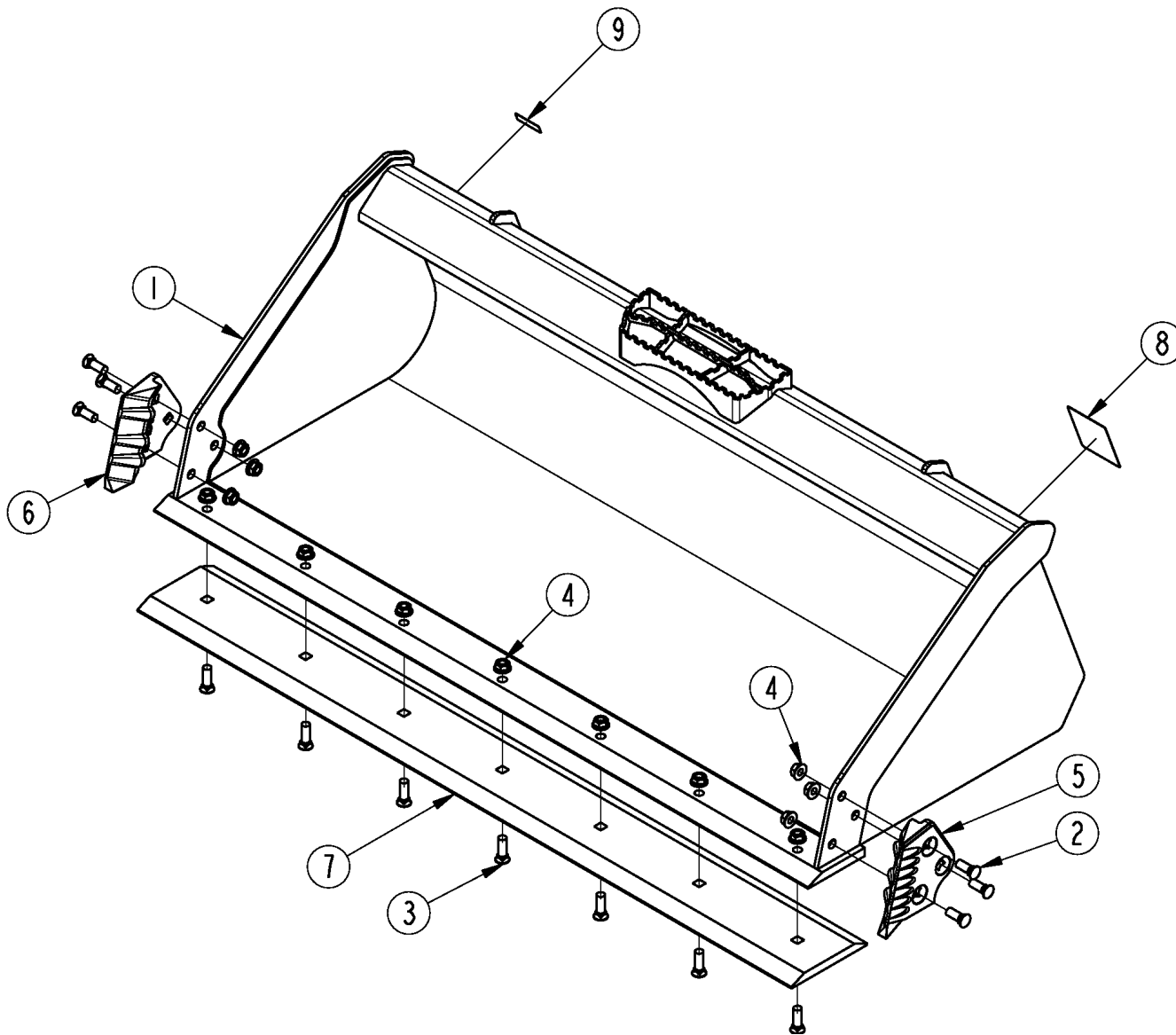
37764

68SL LPLF Bucket w/Teeth**Applies to AP-SL68SLLT**

Ref	Part No.	Part Description	Comments	Revision
	Dwg 37764	Image No.		
	381-059A	ASY, 68" LFLP BUCKET W/TEETH		
1.	381-020S	ASY, WELD ON TOOTH		
2.	381-046H	WMT, 68" LFLP BUCKET W/TEETH		
3.	802-206C	PLOW 5/8-11X1 3/4 GR5		
4.	803-304C	NUT HEX WHIZ 5/8-11 PLT		
5.	812-497C	BUCKET SIDE CUTTER LH		
6.	812-498C	BUCKET SIDE CUTTER RH		
7.	858-237C	DECAL, DIG SAFE		
8.	858-415C	DECAL MODEL # AP-SL68SLLT		
9.	891-518C	PIN ON TOOTH		
10.	891-519C	TOOTH LOCKING PIN		

68SL LPSF Bucket w/Bolt-on Edge

Applies to AP-SL68SLC



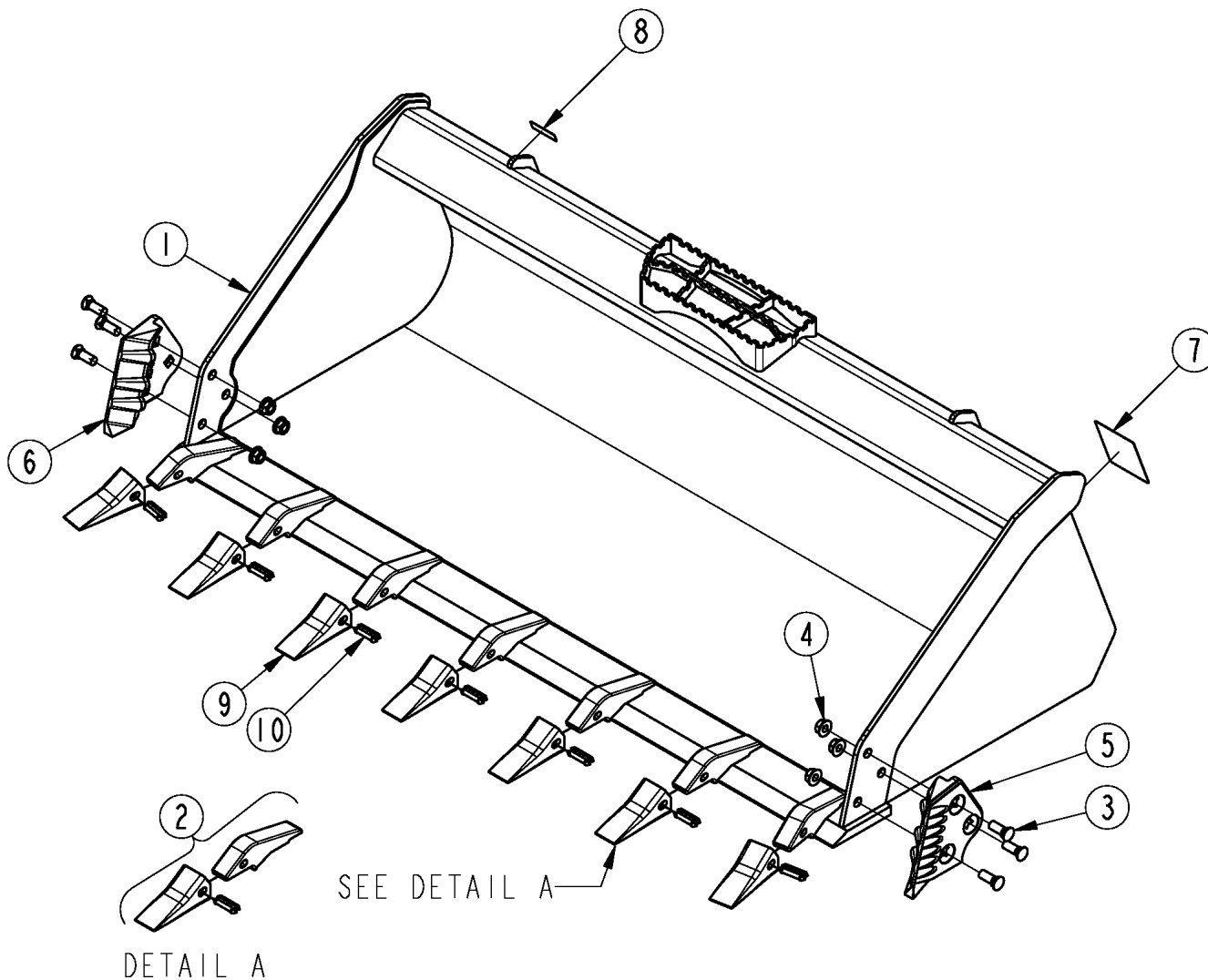
37752

68SL LPSF Bucket w/Bolt-on Edge**Applies to AP-SL68SLC**

Ref	Part No.	Part Description	Comments	Revision
	Dwg 37752	Image No.		
	381-019A	ASY, 68" SFLP BUCKET WO/TEETH		
1.	381-011H	WMT, 68" SFLP BUCKET WO/TEETH		
2.	802-206C	PLOW 5/8-11X1 3/4 GR5		
3.	802-288C	PLOW 5/8-11X2 GR5		
4.	803-304C	NUT HEX WHIZ 5/8-11 PLT		
5.	812-497C	BUCKET SIDE CUTTER LH		
6.	812-498C	BUCKET SIDE CUTTER RH		
7.	820-554C	CUTTING EDGE,68" BUCKT BLT ON		
8.	858-237C	DECAL, DIG SAFE		
9.	858-402C	DECAL MODEL # AP-SL68SLC		

68SL LPSF Bucket w/Teeth

Applies to AP-SL68SLT

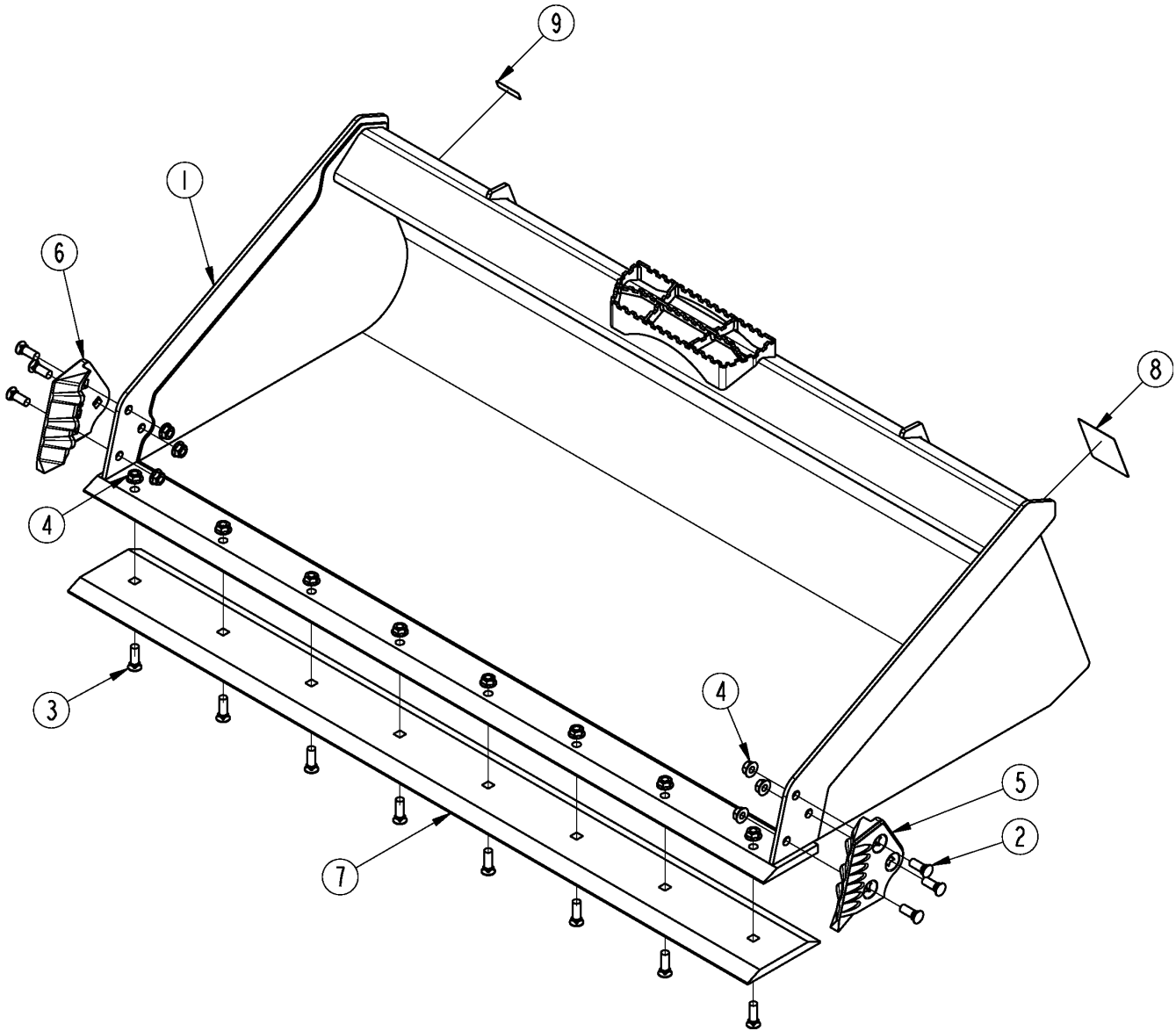


68SL LPSF Bucket w/Teeth**Applies to AP-SL68SLT**

Ref	Part No.	Part Description	Comments	Revision
	Dwg 37754	Image No.		
	381-018A	ASY, 68" SFLP BUCKET W/TEETH		
1.	381-010H	WMT, 68" SFLP BUCKET W/TEETH		
2.	381-020S	ASY, WELD ON TOOTH		
3.	802-206C	PLOW 5/8-11X1 3/4 GR5		
4.	803-304C	NUT HEX WHIZ 5/8-11 PLT		
5.	812-497C	BUCKET SIDE CUTTER LH		
6.	812-498C	BUCKET SIDE CUTTER RH		
7.	858-237C	DECAL, DIG SAFE		
8.	858-407C	DECAL MODEL # AP-SL68SLT		
9.	891-518C	PIN ON TOOTH		
10.	891-519C	TOOTH LOCKING PIN		

74HD LPLF Bucket w/Bolt-on Edge

Applies to AP-HD74LLC



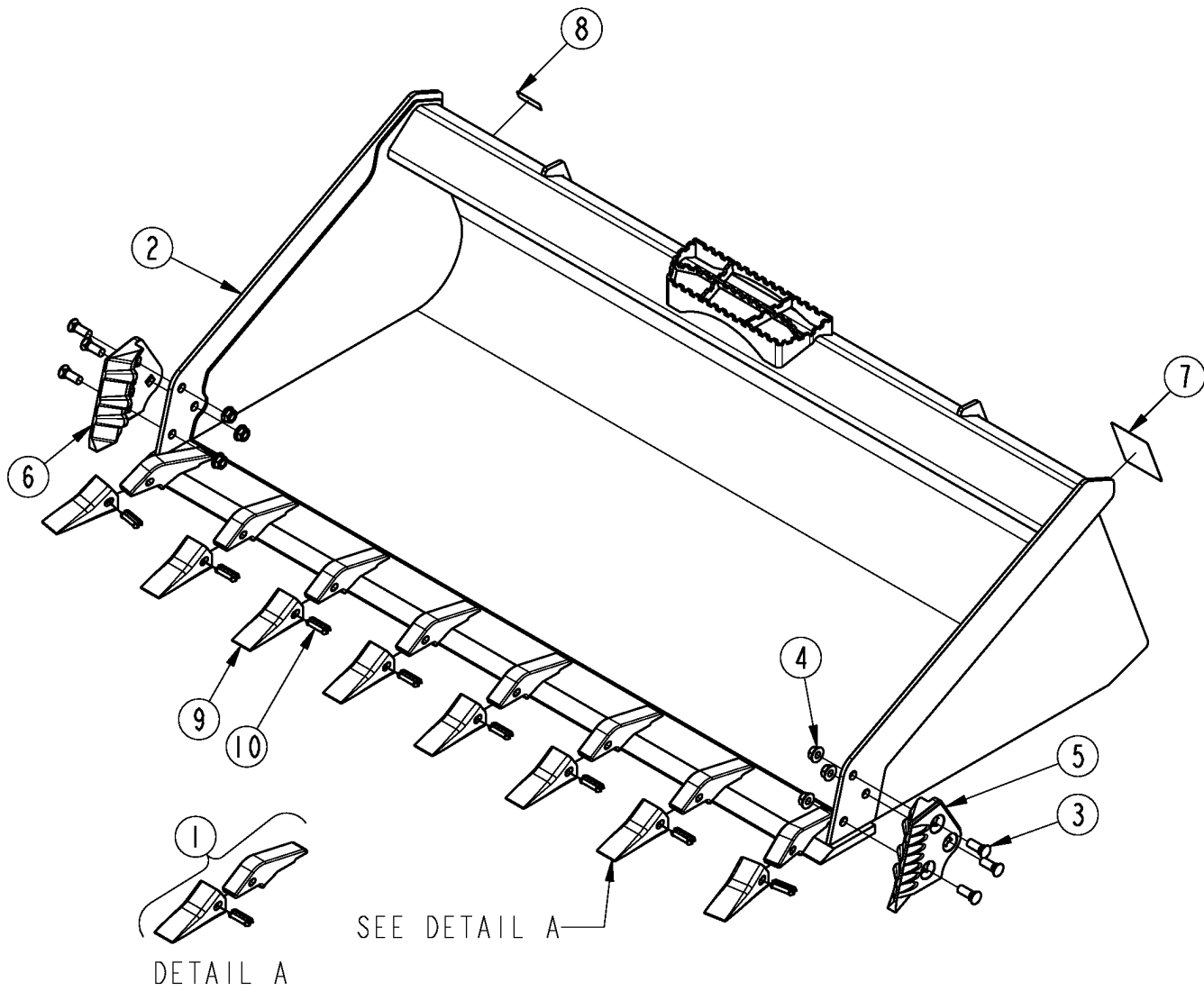
39141

74HD LPLF Bucket w/Bolt-on Edge**Applies to AP-HD74LLC**

Ref	Part No.	Part Description	Comments	Revision
	Dwg 39141	Image No.		
	381-039A	74HD LPLF BUCKET W/BOE		
1.	381-027H	74SVL LPLF BUCKET WMT W/OTEETH		
2.	802-206C	PLOW 5/8-11X1 3/4 GR5		
3.	802-288C	PLOW 5/8-11X2 GR5		
4.	803-304C	NUT HEX WHIZ 5/8-11 PLT		
5.	812-497C	BUCKET SIDE CUTTER LH		
6.	812-498C	BUCKET SIDE CUTTER RH		
7.	820-552C	CUTTING EDGE,74" BUCKT BLT ON		
8.	858-237C	DECAL, DIG SAFE		
9.	858-428C	DECAL MODEL # AP-HD74LLC		

74HD LPLF Bucket w/Teeth

Applies to AP-HD74LLT

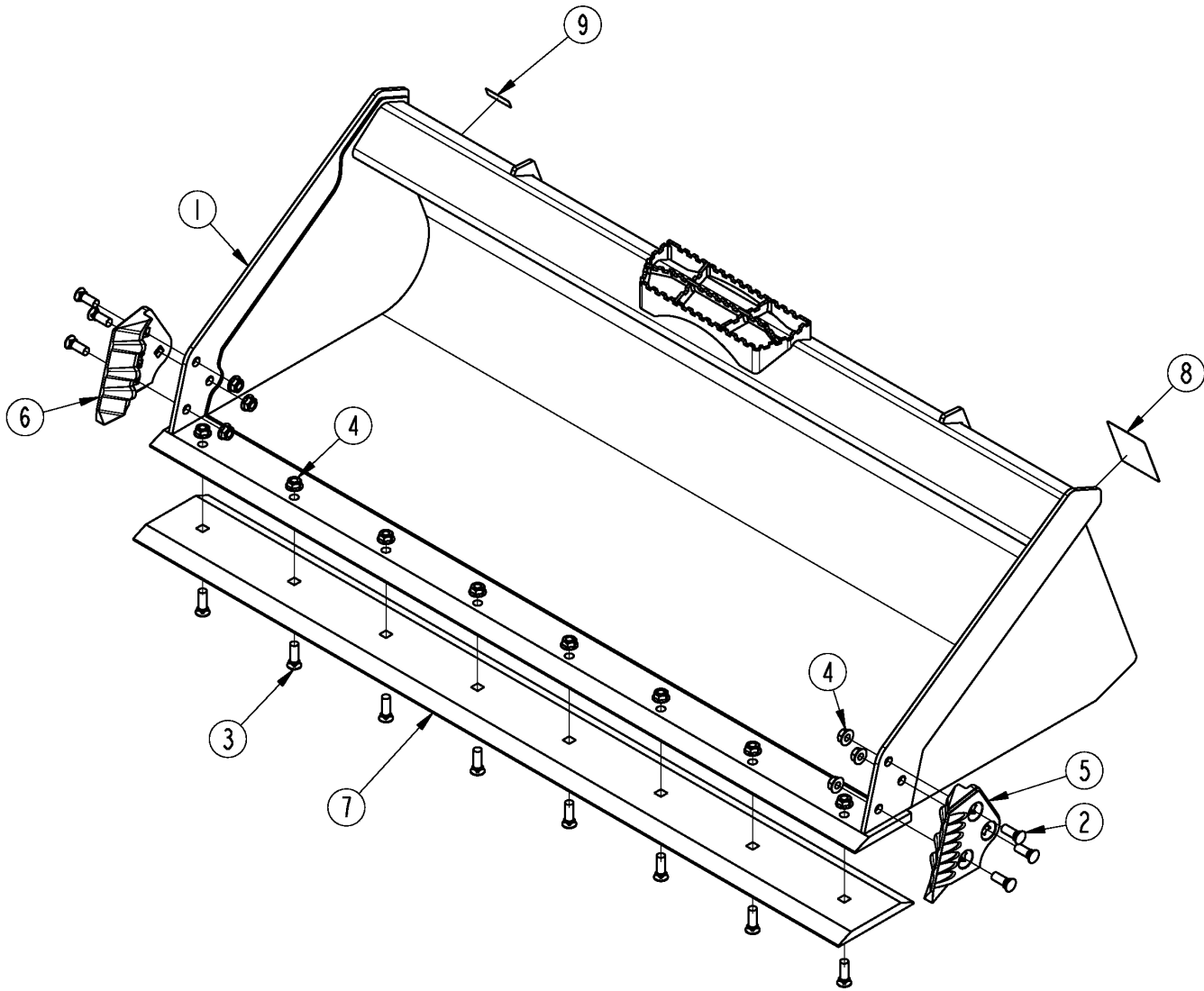


74HD LPLF Bucket w/Teeth**Applies to AP-HD74LLT**

Ref	Part No.	Part Description	Comments	Revision
	Dwg 39140	Image No.		
	381-037A	74HD LPLF BUCKET W/TEETH		
1.	381-020S	ASY, WELD ON TOOTH		
2.	381-025H	74SVL LPLF BUCKET WMT W/TEETH		
3.	802-206C	PLOW 5/8-11X1 3/4 GR5		
4.	803-304C	NUT HEX WHIZ 5/8-11 PLT		
5.	812-497C	BUCKET SIDE CUTTER LH		
6.	812-498C	BUCKET SIDE CUTTER RH		
7.	858-237C	DECAL, DIG SAFE		
8.	858-431C	DECAL MODEL # AP-HD74LLT		
9.	891-518C	PIN ON TOOTH		
10.	891-519C	TOOTH LOCKING PIN		

74HD LPSF Bucket w/Bolt-on Edge

Applies to AP-HD74LC



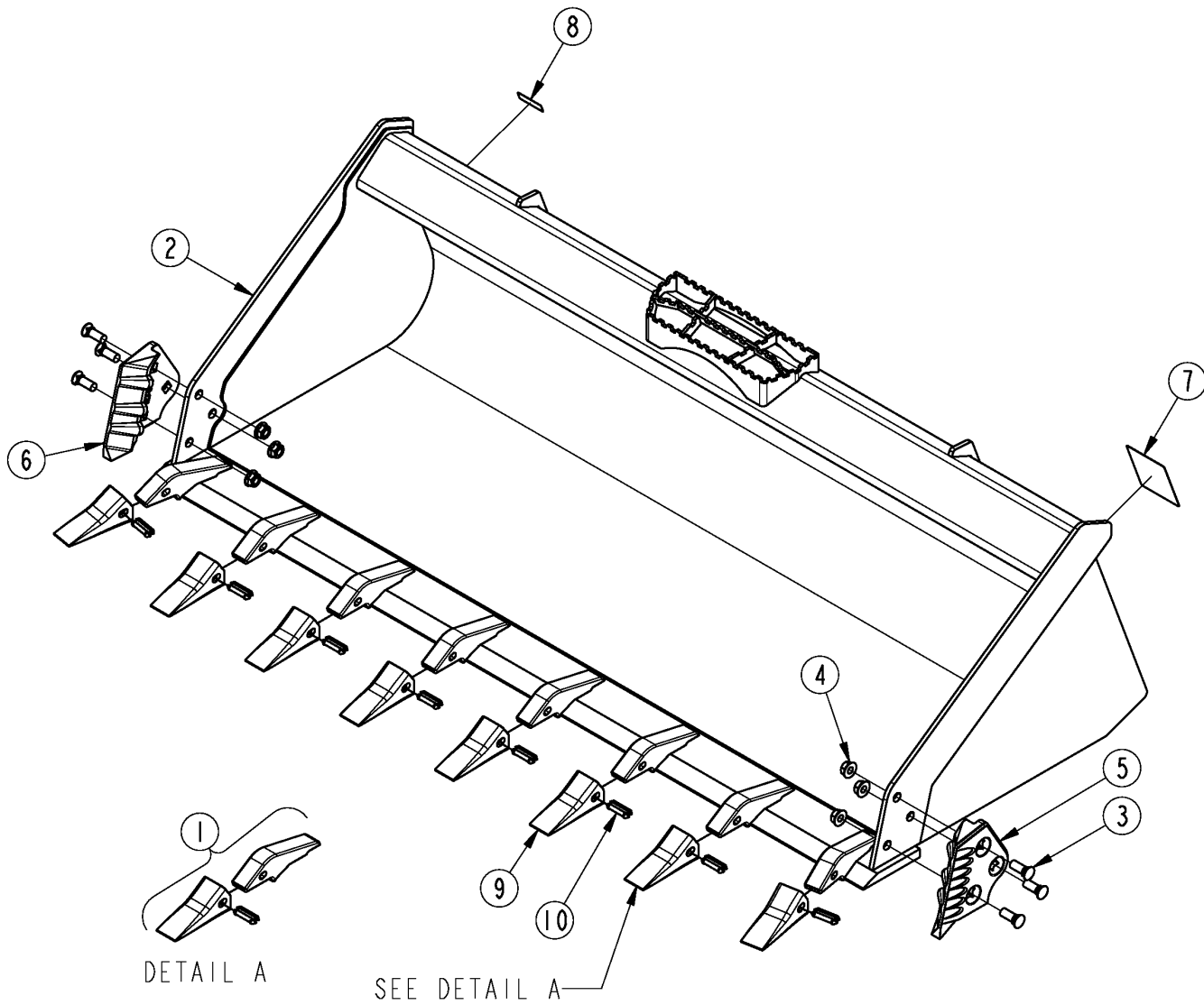
39139

74HD LPSF Bucket w/Bolt-on Edge**Applies to AP-HD74LC**

Ref	Part No.	Part Description	Comments	Revision
	Dwg 39139	Image No.		
	381-040A	74HD LPSF BUCKET W/BOE		
1.	381-028H	74SVL LPSF BUCKET WMT W/OTEETH		
2.	802-206C	PLOW 5/8-11X1 3/4 GR5		
3.	802-288C	PLOW 5/8-11X2 GR5		
4.	803-304C	NUT HEX WHIZ 5/8-11 PLT		
5.	812-497C	BUCKET SIDE CUTTER LH		
6.	812-498C	BUCKET SIDE CUTTER RH		
7.	820-552C	CUTTING EDGE,74" BUCKT BLT ON		
8.	858-237C	DECAL, DIG SAFE		
9.	858-422C	DECAL MODEL # AP-HD74LC		

74HD LPSF Bucket w/Teeth

Applies to AP-HD74LT

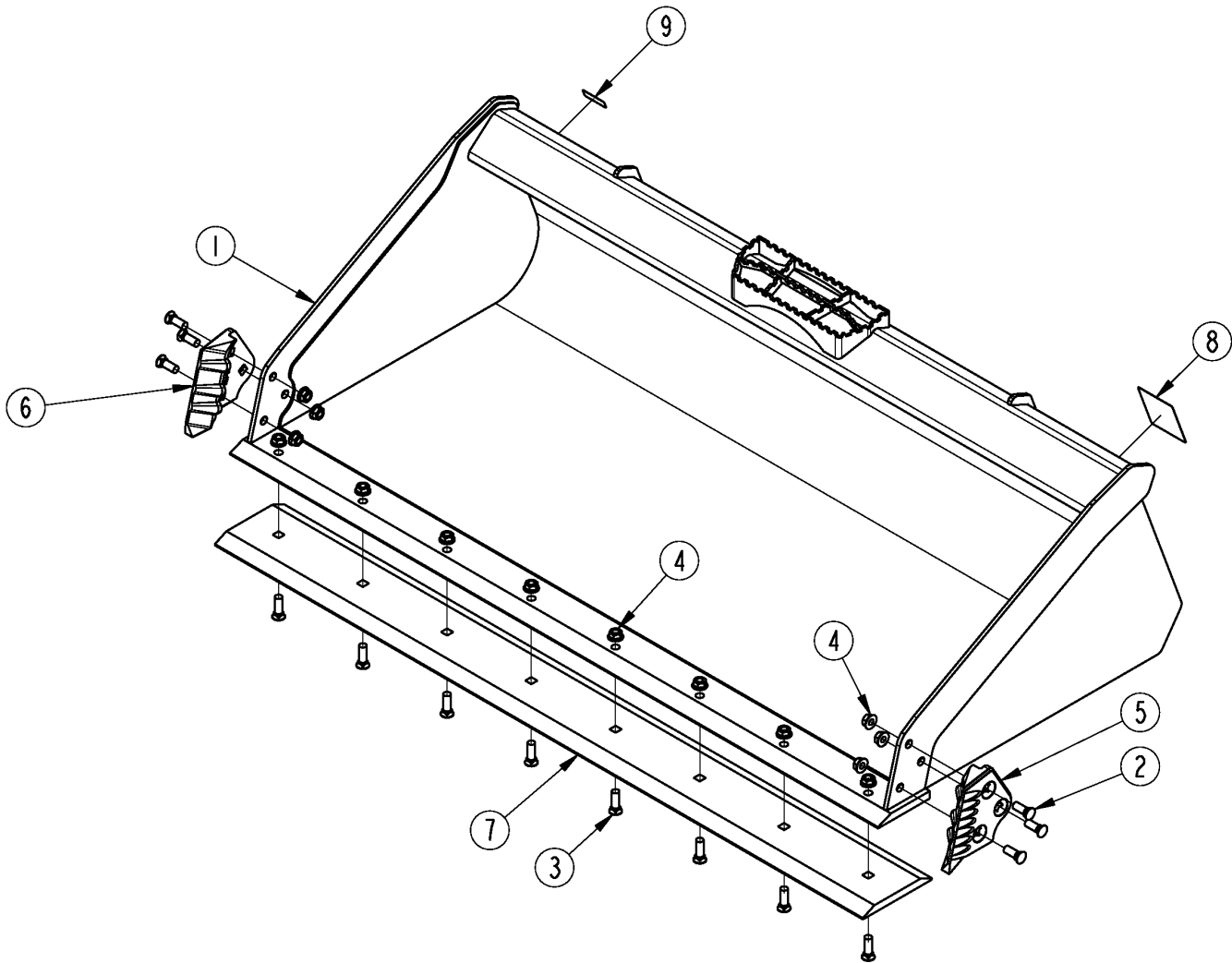


74HD LPSF Bucket w/Teeth**Applies to AP-HD74LT**

Ref	Part No.	Part Description	Comments	Revision
	Dwg 39138	Image No.		
	381-038A	74HD LPSF BUCKET W/TEETH		
1.	381-020S	ASY, WELD ON TOOTH		
2.	381-026H	74SVL LPSF BUCKET WMT W/TEETH		
3.	802-206C	PLOW 5/8-11X1 3/4 GR5		
4.	803-304C	NUT HEX WHIZ 5/8-11 PLT		
5.	812-497C	BUCKET SIDE CUTTER LH		
6.	812-498C	BUCKET SIDE CUTTER RH		
7.	858-237C	DECAL, DIG SAFE		
8.	858-425C	DECAL MODEL # AP-HD74LT		
9.	891-518C	PIN ON TOOTH		
10.	891-519C	TOOTH LOCKING PIN		

74SL LPLF Bucket w/Bolt-on Edge

Applies to AP-SL74SLLC



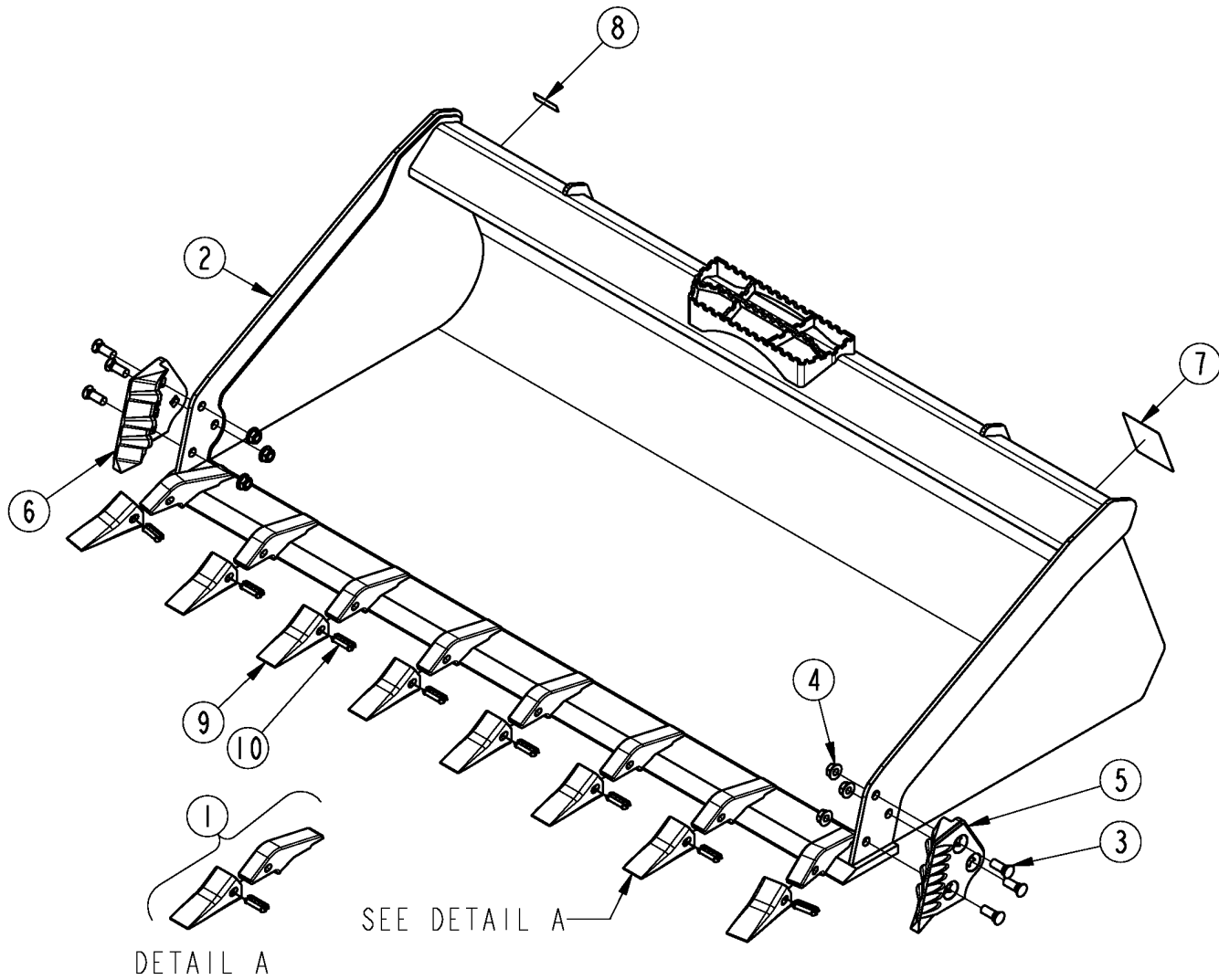
37763

74SL LPLF Bucket w/Bolt-on Edge**Applies to AP-SL74SLLC**

Ref	Part No.	Part Description	Comments	Revision
	Dwg 37763	Image No.		
	381-056A	ASY, 74" LFLP BUCKET WO/TEETH		
1.	381-049H	WMT, 74" LFLP BUCKET WO/TEETH		
2.	802-206C	PLOW 5/8-11X1 3/4 GR5		
3.	802-288C	PLOW 5/8-11X2 GR5		
4.	803-304C	NUT HEX WHIZ 5/8-11 PLT		
5.	812-497C	BUCKET SIDE CUTTER LH		
6.	812-498C	BUCKET SIDE CUTTER RH		
7.	820-552C	CUTTING EDGE,74" BUCKT BLT ON		
8.	858-237C	DECAL, DIG SAFE		
9.	858-413C	DECAL MODEL # AP-SL74SLLC		

74SL LPLF Bucket w/Teeth

Applies to AP-SL74SLLT

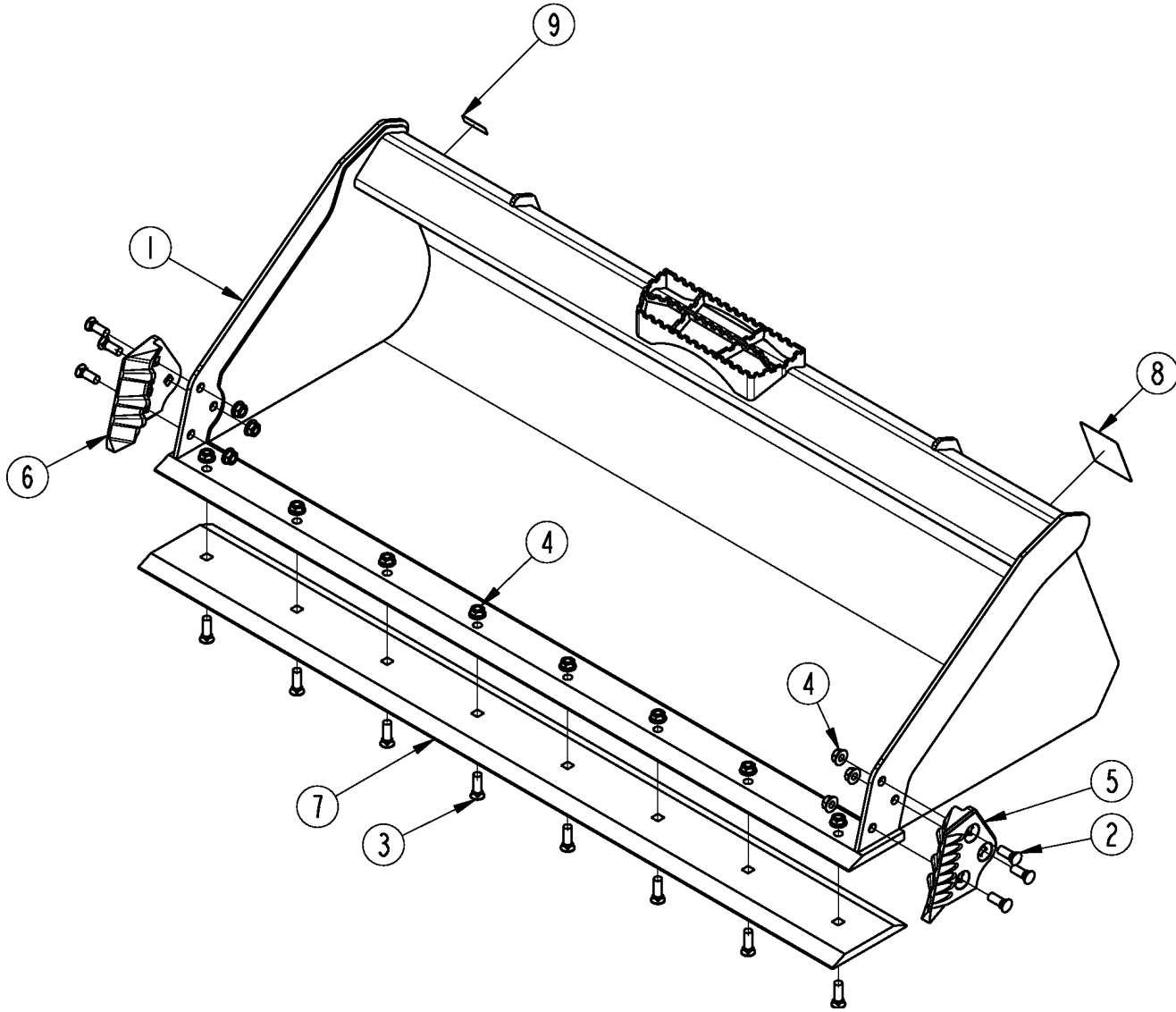


74SL LPLF Bucket w/Teeth**Applies to AP-SL74SLLT**

Ref	Part No.	Part Description	Comments	Revision
	Dwg 37765	Image No.		
	381-055A	ASY, 74" LFLP BUCKET W/TEETH		
1.	381-020S	ASY, WELD ON TOOTH		
2.	381-050H	WMT, 74" LFLP BUCKET W/TEETH		
3.	802-206C	PLOW 5/8-11X1 3/4 GR5		
4.	803-304C	NUT HEX WHIZ 5/8-11 PLT		
5.	812-497C	BUCKET SIDE CUTTER LH		
6.	812-498C	BUCKET SIDE CUTTER RH		
7.	858-237C	DECAL, DIG SAFE		
8.	858-417C	DECAL MODEL # AP-SL74SLLT		
9.	891-518C	PIN ON TOOTH		
10.	891-519C	TOOTH LOCKING PIN		

74SL LPSF Bucket w/Bolt-on Edge

Applies to AP-SL74SLC



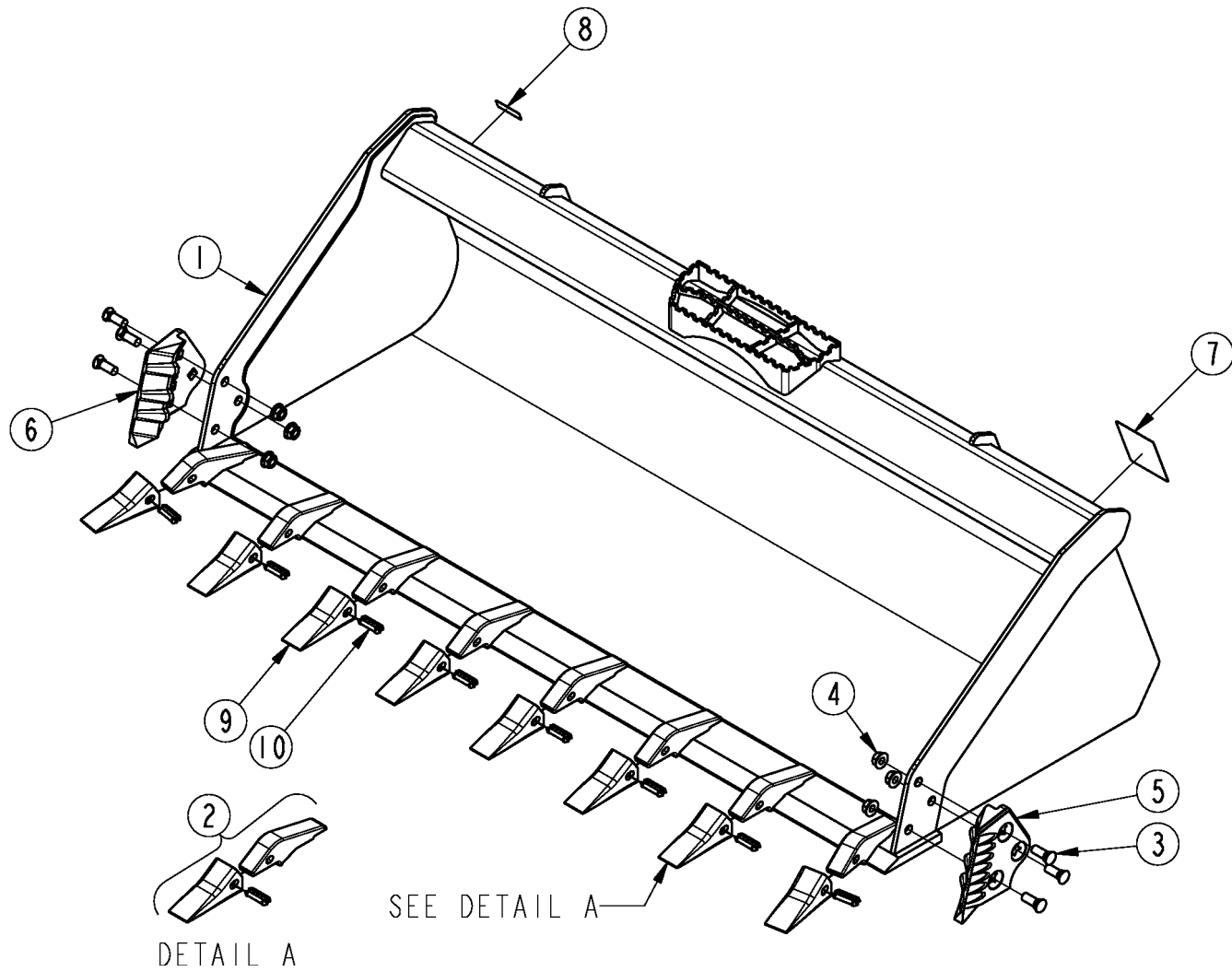
37760

74SL LPSF Bucket w/Bolt-on Edge**Applies to AP-SL74SLC**

Ref	Part No.	Part Description	Comments	Revision
	Dwg 37760	Image No.		
	381-015A	ASY, 74" SFLP BUCKET WO/TEETH		
1.	381-007H	WMT, 74" SFLP BUCKET WO/TEETH		
2.	802-206C	PLOW 5/8-11X1 3/4 GR5		
3.	802-288C	PLOW 5/8-11X2 GR5		
4.	803-304C	NUT HEX WHIZ 5/8-11 PLT		
5.	812-497C	BUCKET SIDE CUTTER LH		
6.	812-498C	BUCKET SIDE CUTTER RH		
7.	820-552C	CUTTING EDGE,74" BUCKT BLT ON		
8.	858-237C	DECAL, DIG SAFE		
9.	858-405C	DECAL MODEL # AP-SL74SLC		

74SL LPSF Bucket w/Teeth

Applies to AP-SL74SLT

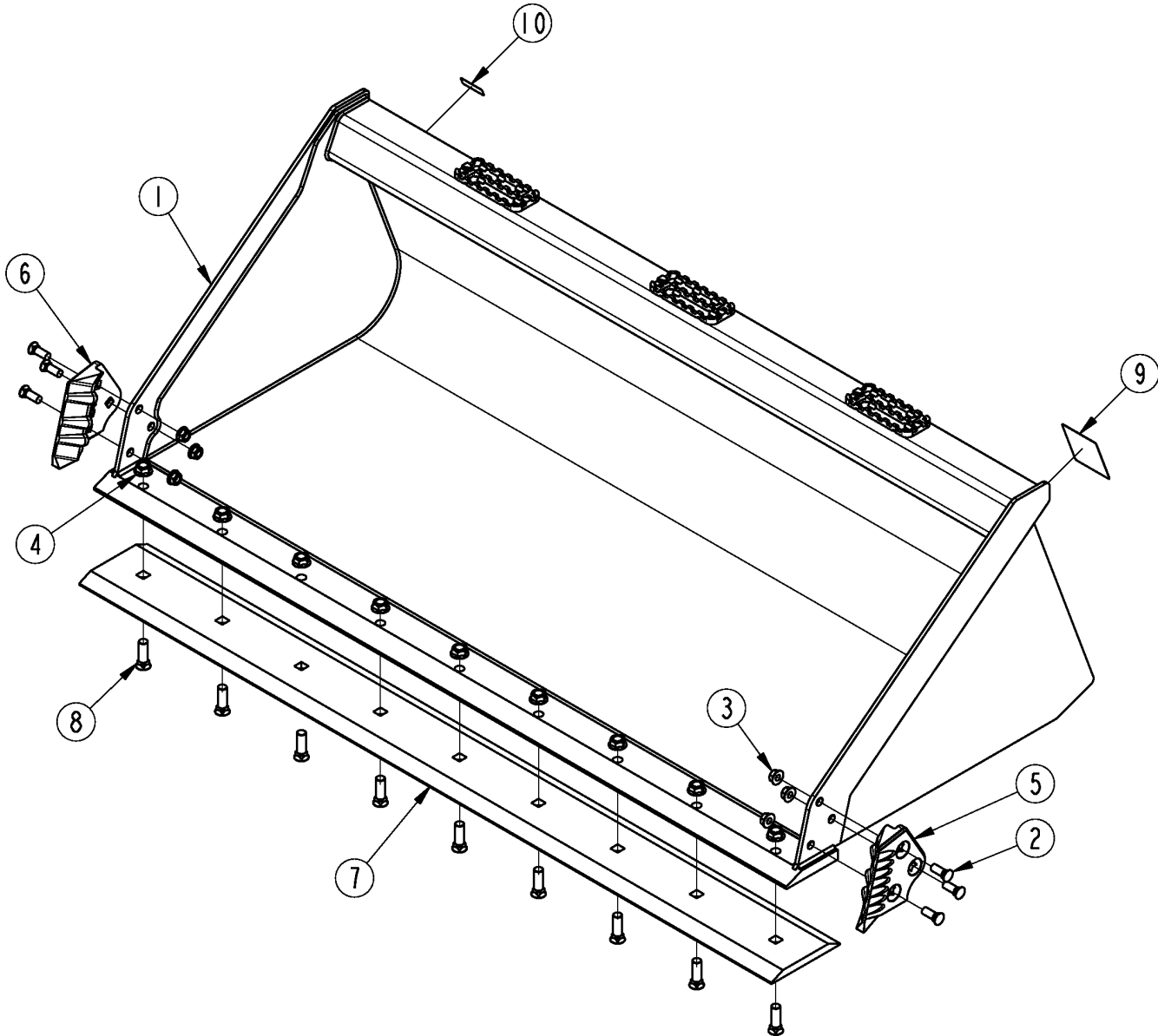


74SL LPSF Bucket w/Teeth**Applies to AP-SL74SLT**

Ref	Part No.	Part Description	Comments	Revision
	Dwg 37761	Image No.		
	381-055A	ASY, 74" LFLP BUCKET W/TEETH		
1.	381-020S	ASY, WELD ON TOOTH		
2.	381-050H	WMT, 74" LFLP BUCKET W/TEETH		
3.	802-206C	PLOW 5/8-11X1 3/4 GR5		
4.	803-304C	NUT HEX WHIZ 5/8-11 PLT		
5.	812-497C	BUCKET SIDE CUTTER LH		
6.	812-498C	BUCKET SIDE CUTTER RH		
7.	858-237C	DECAL, DIG SAFE		
8.	858-417C	DECAL MODEL # AP-SL74SLLT		
9.	891-518C	PIN ON TOOTH		
10.	891-519C	TOOTH LOCKING PIN		

80HD HC Bucket w/Bolt-on Edge

Applies to AP-HD80HC



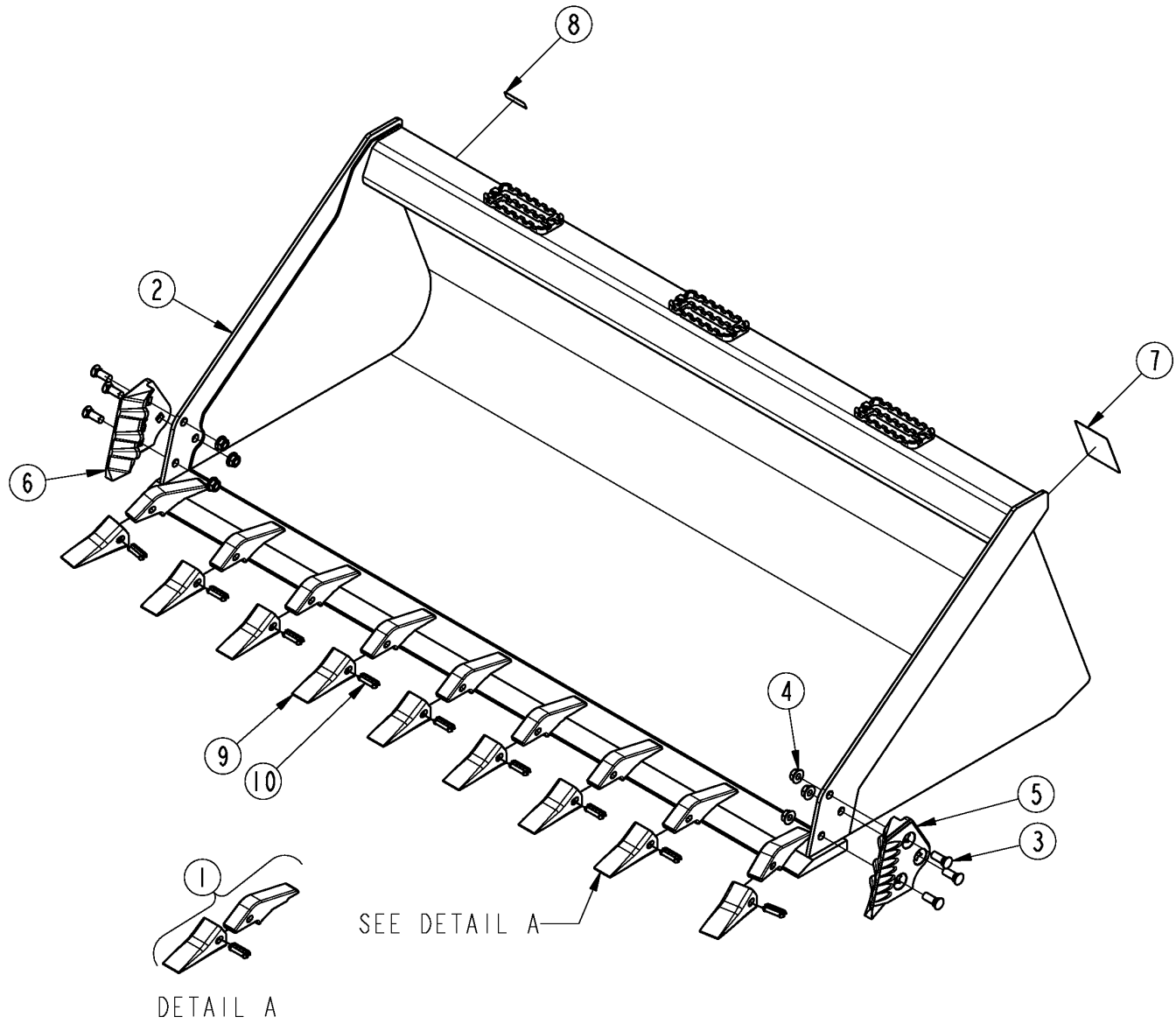
39147

80HD HC Bucket w/Bolt-on Edge**Applies to AP-HD80HC**

Ref	Part No.	Part Description	Comments	Revision
	Dwg 39147	Image No.		
	381-068A	ASY, SVL HC BUCKET W/BOE		
1.	381-066H	SVL HC BUCKET WMT W/O TEETH		
2.	802-206C	PLOW 5/8-11X1 3/4 GR5		
3.	803-304C	NUT HEX WHIZ 5/8-11 PLT		
4.	803-511C	NUT HEX 3/4-10 WHIZ PLT		
5.	812-497C	BUCKET SIDE CUTTER LH		
6.	812-498C	BUCKET SIDE CUTTER RH		
7.	820-555C	CUTTING EDGE,80" BUCKT BLT ON		
8.	842-274C	PLOW 3/4-10X2 1/2 GR8		
9.	858-237C	DECAL, DIG SAFE		
10.	858-433C	DECAL MODEL # AP-HD80HC		

80HD HC Bucket w/Teeth

Applies to AP-HD80HT

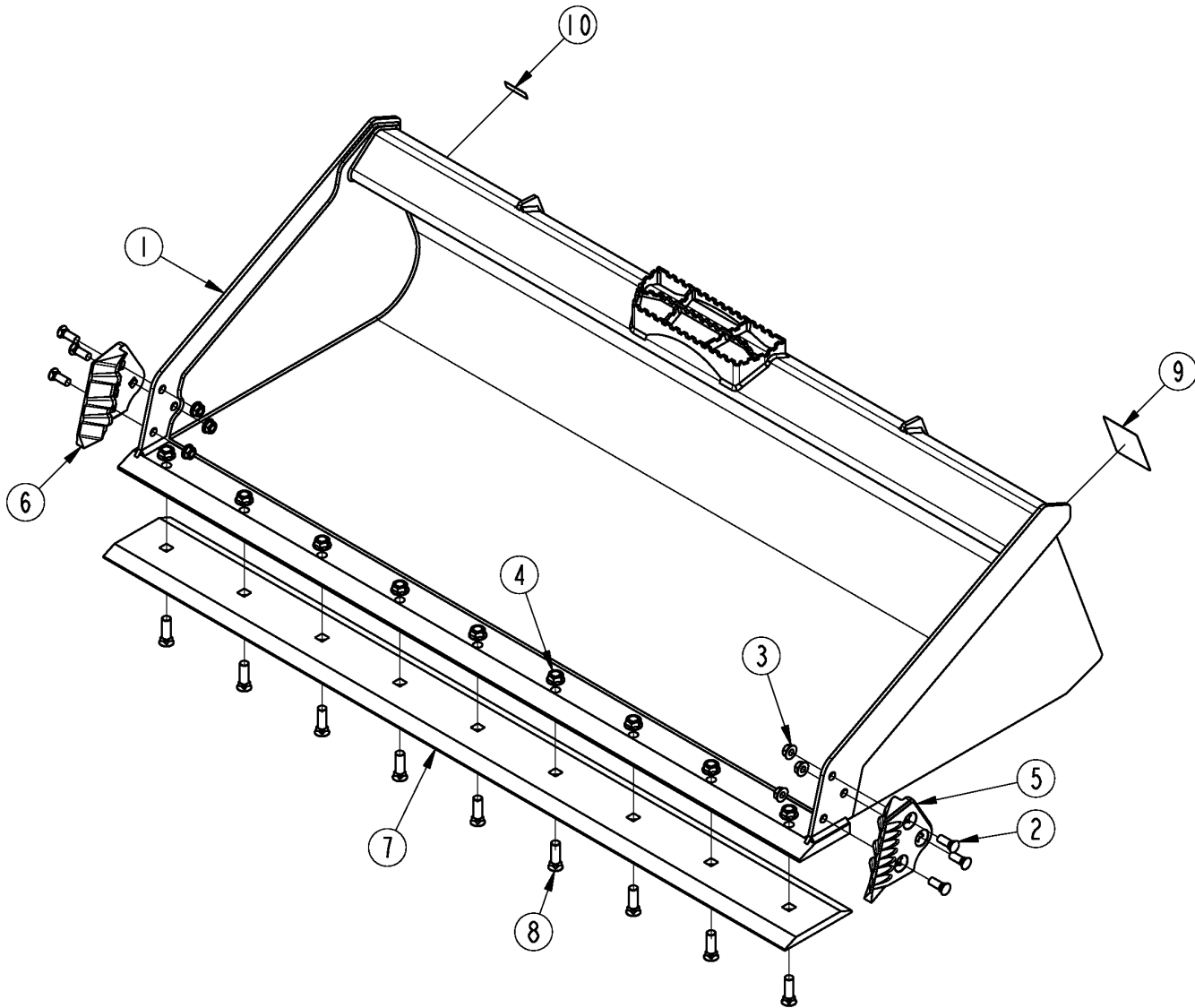


80HD HC Bucket w/Teeth**Applies to AP-HD80HT**

Ref	Part No.	Part Description	Comments	Revision
	Dwg 39146	Image No.		
	381-069A	ASY, SVL HC BUCKET W/TEETH		
1.	381-020S	ASY, WELD ON TOOTH		
2.	381-067H	SVL HC BUCKET WMT W/ TEETH		
3.	802-206C	PLOW 5/8-11X1 3/4 GR5		
4.	803-304C	NUT HEX WHIZ 5/8-11 PLT		
5.	812-497C	BUCKET SIDE CUTTER LH		
6.	812-498C	BUCKET SIDE CUTTER RH		
7.	858-237C	DECAL, DIG SAFE		
8.	858-434C	DECAL MODEL # AP-HD80HT		
9.	891-518C	PIN ON TOOTH		
10.	891-519C	TOOTH LOCKING PIN		

80HD LPLF Bucket w/Bolt-on Edge

Applies to AP-HD80LLC



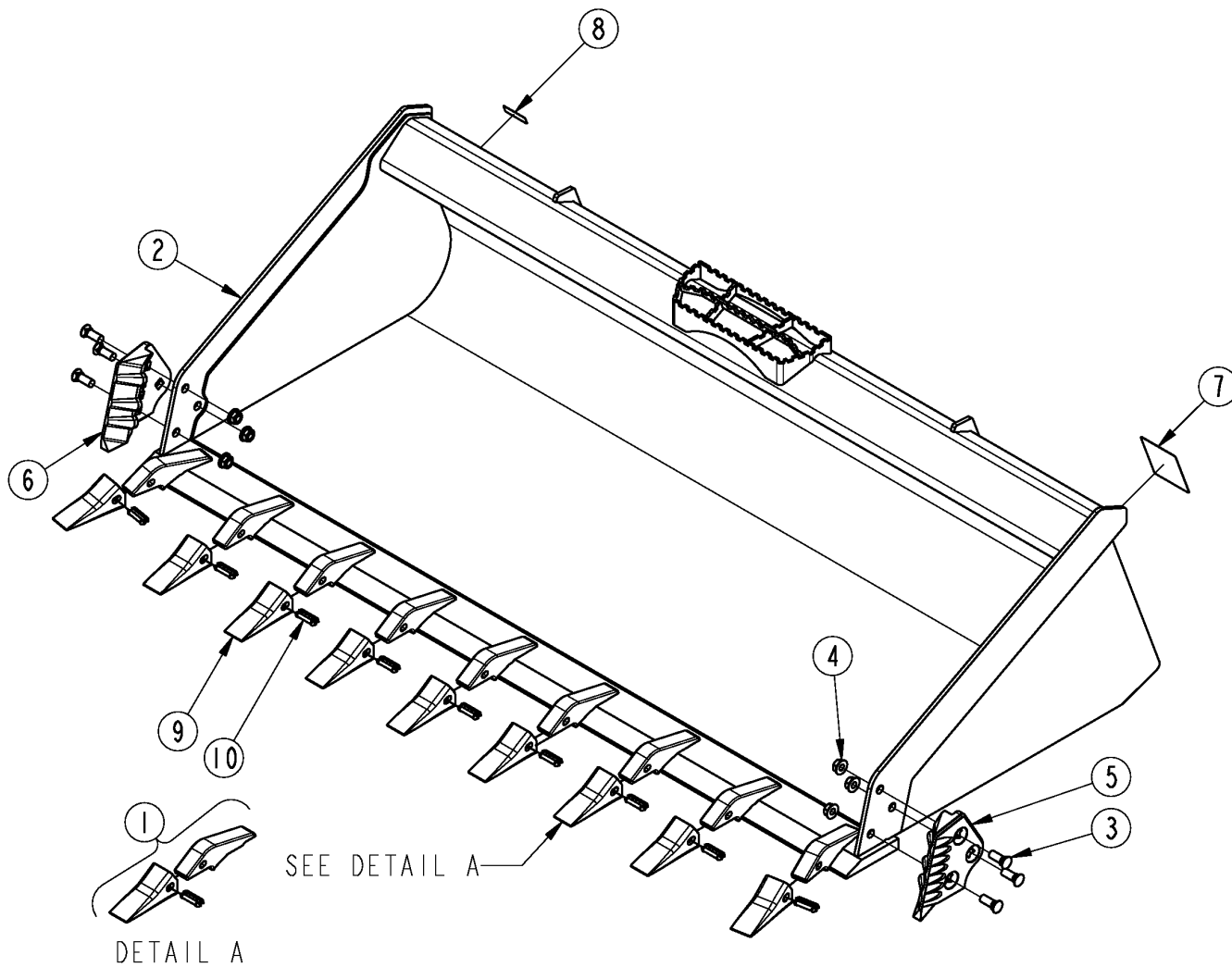
39145

80HD LPLF Bucket w/Bolt-on Edge**Applies to AP-HD80LLC**

Ref	Part No.	Part Description	Comments	Revision
	Dwg 39145	Image No.		
	381-043A	80HD LPLF BUCKET W/BOE		
1.	381-031H	80SVL LPLF BUCKET WMT W/OTEETH		
2.	802-206C	PLOW 5/8-11X1 3/4 GR5		
3.	803-304C	NUT HEX WHIZ 5/8-11 PLT		
4.	803-511C	NUT HEX 3/4-10 WHIZ PLT		
5.	812-497C	BUCKET SIDE CUTTER LH		
6.	812-498C	BUCKET SIDE CUTTER RH		
7.	820-555C	CUTTING EDGE,80" BUCKT BLT ON		
8.	842-274C	PLOW 3/4-10X2 1/2 GR8		
9.	858-237C	DECAL, DIG SAFE		
10.	858-429C	DECAL MODEL # AP-HD80LLC		

80HD LPLF Bucket w/Teeth

Applies to AP-HD80LLT

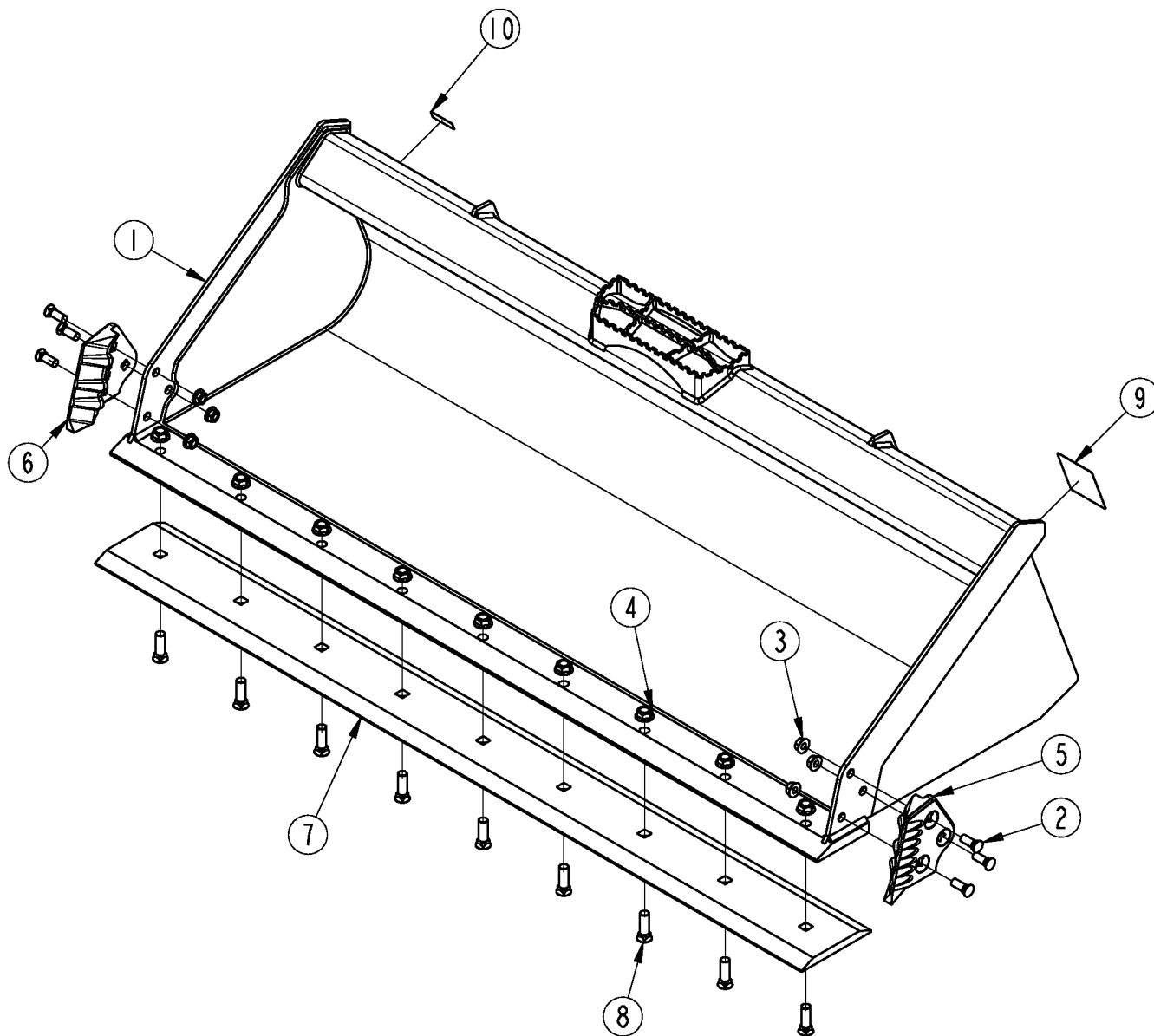


80HD LPLF Bucket w/Teeth**Applies to AP-HD80LLT**

Ref	Part No.	Part Description	Comments	Revision
	Dwg 39144	Image No.		
	381-041A	80HD LPLF BUCKET W/TEETH		
1.	381-020S	ASY, WELD ON TOOTH		
2.	381-029H	80SVL LPLF BUCKET WMT W/TEETH		
3.	802-206C	PLOW 5/8-11X1 3/4 GR5		
4.	803-304C	NUT HEX WHIZ 5/8-11 PLT		
5.	812-497C	BUCKET SIDE CUTTER LH		
6.	812-498C	BUCKET SIDE CUTTER RH		
7.	858-237C	DECAL, DIG SAFE		
8.	858-432C	DECAL MODEL # AP-HD80LLT		
9.	891-518C	PIN ON TOOTH		
10.	891-519C	TOOTH LOCKING PIN		

80HD LPSF Bucket w/Bolt-on Edge

Applies to AP-HD80LC



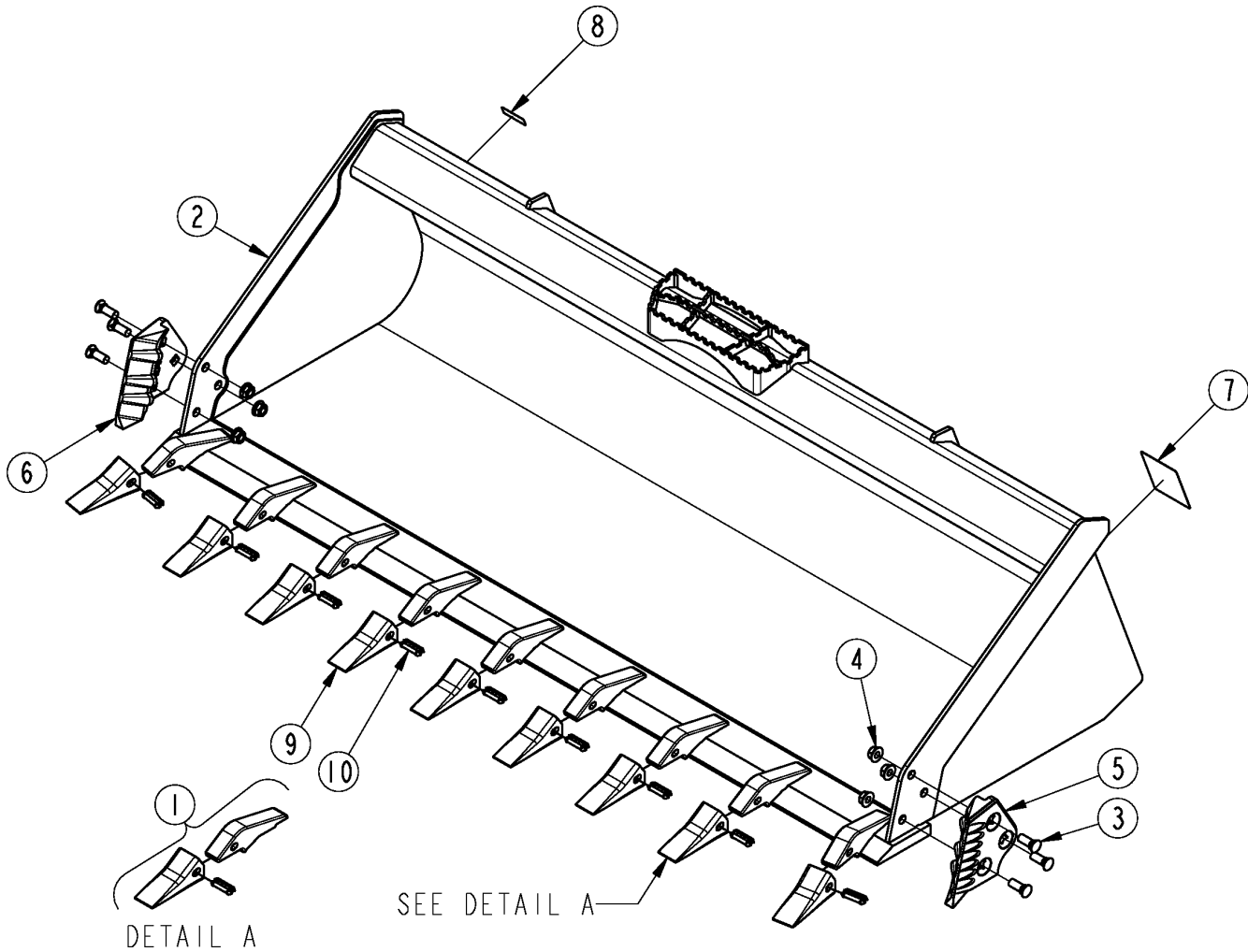
39143

80HD LPSF Bucket w/Bolt-on Edge**Applies to AP-HD80LC**

Ref	Part No.	Part Description	Comments	Revision
	Dwg 39143	Image No.		
	381-044A	80HD LPSF BUCKET W/BOE		
1.	381-032H	80SVL LPSF BUCKET WMT W/OTEETH		
2.	802-206C	PLOW 5/8-11X1 3/4 GR5		
3.	803-304C	NUT HEX WHIZ 5/8-11 PLT		
4.	803-511C	NUT HEX 3/4-10 WHIZ PLT		
5.	812-497C	BUCKET SIDE CUTTER LH		
6.	812-498C	BUCKET SIDE CUTTER RH		
7.	820-555C	CUTTING EDGE,80" BUCKT BLT ON		
8.	842-274C	PLOW 3/4-10X2 1/2 GR8		
9.	858-237C	DECAL, DIG SAFE		
10.	858-423C	DECAL MODEL # AP-HD80LC		

80HD LPSF Bucket w/Teeth

Applies to AP-HD80LT



80HD LPSF Bucket w/Teeth**Applies to AP-HD80LT**

Ref	Part No.	Part Description	Comments	Revision
	Dwg 39142	Image No.		
	381-042A	80HD LPSF BUCKET W/TEETH		
1.	381-020S	ASY, WELD ON TOOTH		
2.	381-030H	80SVL LPSF BUCKET WMT W/TEETH		
3.	802-206C	PLOW 5/8-11X1 3/4 GR5		
4.	803-304C	NUT HEX WHIZ 5/8-11 PLT		
5.	812-497C	BUCKET SIDE CUTTER LH		
6.	812-498C	BUCKET SIDE CUTTER RH		
7.	858-237C	DECAL, DIG SAFE		
8.	858-426C	DECAL MODEL # AP-HD80LT		
9.	891-518C	PIN ON TOOTH		
10.	891-519C	TOOTH LOCKING PIN		



Part Number Index

The Part Number Index is a numeric index of all part numbers included in this manual. The index shows what page(s) the part is used on.

Part Number	Page	Part Number	Page	Part Number	Page
381-007H	43		25, 27, 29, 31,	Dwg 39144	53
381-010H	29		33, 35, 37, 39,	Dwg 39145	51
381-011H	27		41, 43, 45, 47,	Dwg 39146	49
381-015A	43		49, 51, 53, 55, 57	Dwg 39147	47
381-018A	29	812-498C	7, 9, 11, 13, 15,	Dwg 72800	11
381-019A	27		17, 19, 21, 23,	Dwg 72801	7
381-020S	9, 13, 17, 21, 25, 29, 33, 37, 41, 45, 49, 53, 57		25, 27, 29, 31, 33, 35, 37, 39, 41, 43, 45, 47, 49, 51, 53, 55, 57	Dwg 72803	9
381-021H	17			Dwg 72804	13
381-022H	21	820-552C	31, 35, 39, 43		
381-023H	15	820-554C	15, 19, 23, 27		
381-024H	19	820-555C	47, 51, 55		
381-025H	33	820-593C	7, 11		
381-026H	37	842-274C	47, 51, 55		
381-027H	31	844-119C	11		
381-028H	35	844-120C	7		
381-029H	53	844-121C	9		
381-030H	57	844-122C	13		
381-031H	51	858-237C	7, 9, 11, 13, 15, 17, 19, 21, 23,		
381-032H	55		25, 27, 29, 31,		
381-033A	17		33, 35, 37, 39,		
381-034A	21		41, 43, 45, 47, 49, 51, 53, 55, 57		
381-035A	15	858-402C	27		
381-036A	19	858-405C	43		
381-037A	33	858-407C	29		
381-038A	37	858-411C	23		
381-039A	31	858-413C	39		
381-040A	35	858-415C	25		
381-041A	53	858-417C	41, 45		
381-042A	57	858-421C	19		
381-043A	51	858-422C	35		
381-044A	55	858-423C	55		
381-045H	23	858-424C	21		
381-046H	25	858-425C	37		
381-049H	39	858-426C	57		
381-050H	41, 45	858-427C	15		
381-055A	41, 45	858-428C	31		
381-056A	39	858-429C	51		
381-059A	25	858-430C	17		
381-060A	23	858-431C	33		
381-066H	47	858-432C	53		
381-067H	49	858-433C	47		
381-068A	47	858-434C	49		
381-069A	49	891-518C	9, 13, 17, 21, 25, 29, 33, 37, 41, 45, 49, 53, 57		
381-196A	9				
381-197A	13	891-519C	9, 13, 17, 21, 25, 29, 33, 37, 41, 45, 49, 53, 57		
381-198A	7				
381-199A	11				
381-200H	9				
381-201H	13				
381-202H	7				
381-203H	11	Dwg 37752	27		
802-206C	7, 9, 11, 13, 15, 17, 19, 21, 23, 25, 27, 29, 31, 33, 35, 37, 39, 41, 43, 45, 47, 49, 51, 53, 55, 57	Dwg 37754	29		
		Dwg 37760	43		
		Dwg 37761	45		
		Dwg 37762	23		
		Dwg 37763	39		
		Dwg 37764	25		
802-288C	7, 11, 15, 19, 23, 27, 31, 35, 39, 43	Dwg 37765	41		
		Dwg 39134	21		
803-304C	7, 9, 11, 13, 15, 17, 19, 21, 23, 25, 27, 29, 31, 33, 35, 37, 39, 41, 43, 45, 47, 49, 51, 53, 55, 57	Dwg 39135	19		
		Dwg 39136	17		
		Dwg 39137	15		
		Dwg 39138	37		
		Dwg 39139	35		
		Dwg 39140	33		
803-511C	47, 51, 55	Dwg 39141	31		
812-497C	7, 9, 11, 13, 15, 17, 19, 21, 23,	Dwg 39142	57		
		Dwg 39143	55		

This Page Intentionally Left Blank



KUBOTA TRACTOR CORPORATION

1000 Kubota Drive, Grapevine, TX 76051

Telephone: (817) 756-1171

Western Division: 1175 S. Guild Ave., Lodi, CA 95240
Telephone: (209) 334-9910

Central Division: 14855 FAA Blvd., Fort Worth, TX 76155
Telephone: (817) 571-0900

Northern Division: 6300 at One Kubota Way, Groveport, OH 43125
Telephone: (614) 835-1100

Southeast Division: 1025 Northbrook Parkway, Suwanee, GA 30024
Telephone: (770) 995-8855

www.kubota.com
