



# API Vintage Machine Catalog

This is our Aftermarket Parts Vintage Machine Catalog. This only covers a small portion of the parts we supply. Please search your part numbers in the header of our website [www.rightparts.com](http://www.rightparts.com) or search by category and brand of what you need to replace. Our categories are listed on our home page and under Shop then Products.

[To search the PDF Catalog](#)

1. Use The Find" function of your browser (Ctrl+F)

187 / 508

Click on the Bookmark Tab, then click on the bookmark to go to that selection.

**SECTION 2**

**PLANETARY**

2. Check the bookmark function on the PFD file.

Use the 'Find' function of your browser (Ctrl +F)  
This is the 14th of 259 times "planetary" in found in this manual. You can use the arrow key to go to the next selection or to go back.

planetary 14/259

**CONTENTS** **SECTION 2**

**PLANETARY**

**FRANKLIN**

MODEL NUMBER	PAGE NUMBER	MODEL NUMBER	PAGE NUMBER
1001			

(C) 1996 Aftermarket Parts, Inc.

All rights reserved. Printed in the United States of America.

This publication may not be reproduced, stored in a retrieval system, or transmitted in whole or in part, in any form or by any means, electronic, mechanical, photocopying, recording or otherwise, without the prior written permission of AFTERMARKET PARTS, INC., 150 Market St, New Bern, NC 28560.

# TABLE OF CONTENTS

**Section 1 - DIFFERENTIAL**

**Section 2 - PLANETARY**

**Section 3 - TRANSMISSION**

**Section 4 - TRANSFER CASE**

**Section 5 - BELL HOUSING AND  
CLUTCH**

**Section 6 - BRAKE**

**Section 7 - WINCH**

**Section 8 - FRAME**

**Section 9**

**Section 10**

**Section 11**

**Section 12**

**Section 13**

**Section 14**

**Section 15**

**Section 16**

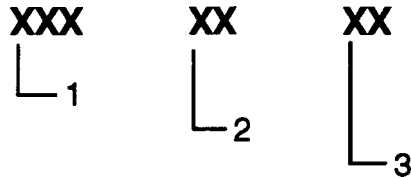
**Section 17**

**Section 18**

**Section 19 - CROSS REFERENCE**

**Section 20 -**

# KEY TO AFTERMARKET PART NUMBER



**1) DESCRIPTION:** The first 3 digits identify what the part is;

**EXAMPLE:**

105 = Band, Brake  
156 = Case/Housing  
260 = Gearset

**2) MAUNFACTURER:** The next 2 digits identify the original manufacturer, or general category;

**EXAMPLE:**

11 = Gearmatic  
22 = New Process  
25 = Rockwell

**3) SEQUENCE:** The last 2 digits identify the random sequence number of the part;

**EXAMPLE:**

1051100 = Gearmatic Brake Band  
1562204 = New Process Transfer Case Housing  
2602502 = Rockwell Gearset

By ordering and stocking your parts by the Aftermarket Parts' Numbering system, the parts can be found quickly by the description and/or vendor. For example, all planetary gears would be stocked together if located numerically in your warehouse (as would all pins, bolts, etc.)

# DESCRIPTION

100	ARM	130	BEARING, THRUST/RACE
101	ALTERNATOR ASS'Y	131	BEARING, RELEASE/COLLAR
102	BALL, LOCK	132	BEARING, RELEASE/COLLAR
103	BALL, POPPET OR SHIFT	133	BEARING, NEEDLE
104	BALL JOINT	134	BEARING, PILLOW/FLANGE BLOCK
105	BAND, BRAKE	135	BEARING ASS'Y
106	BAND, CLUTCH	136	BEARING ASS'Y
107	BAND	137	BEARRNG ASS'Y
108	BARRELL	138	BUTTON
109	BELT	139	BLOCK
110	BLOCK, LEVER	140	BRAKE
111	BLOCK, SPACER	141	BRAKE ASS'Y
112	BLOCK, PILLOW	142	BREATHER
113	BLOCK	143	BUSHING, BRASS/BRONZE
114	BOLT, AXLE PAD	144	BUSHING, STEEL
115	BOLT, U	145	BUSHING, SELF-ALIGNING
116	BOLT, KIT	146	BUSHING
117	BOLT	147	CABLE, ELECTRICAL/WIRE HARNESS
118	BOOT	148	CABLE, CONTROL
119	BOOT	149	CAM
120	BEARING, CUP	150	CAGE/CUP, DIFFERENTIAL
121	BEARING, CUP	151	CAP
122	BEARING, CONE	152	CAP, DUST
123	BEARING, CONE	153	CAP, GLAND
124	BEARING, BALL	154	CASE/HOUSING, DIFFERENTIAL
125	BEARING, BALL	155	CASE/HOUSING, TRANSMISSION
126	BEARING, ROLLER	156	CASE/HOUSING, TRANSFER
127	BEARING, ROLLER	157	CASE/HOUSING, AXLE
128	BEARING, CAGE	158	CASE/HOUSING, WINCH
129	BEARING, CAGE	159	CASE/HOUSING, PLANETARY

# DESCRIPTION

160	CASE/HOUSING, PTO	190	DISC, BRAKE (OUTER)
161	CASE/HOUSING, BRAKE	191	DISC, CLUTCH (INNER)
162	CASE/HOUSING	192	DISC, CLUTCH (OUTER)
163	CLAMP, EXHAUST	193	DISC, STEEL
164	CLAMP	194	DISC, STEEL
165	CLEVIS	195	DISC
166	CLEVIS	196	DRUM, WINCH
167	CONNECTOR/ADAPTOR	197	DRUM, BRAKE
168	CONNECTOR/ADAPTOR	198	DRUM, CLUTCH
169	COUPLING	199	DRUM
170	COUPLING	200	DRIVE SHAFT AND ASS'Y
171	COVER, TRANSMISSION	201	DRIVE SHAFT AND ASS'Y
172	COVER, CLUTCH/PRE. PLATE	202	DRIVE SHAFT AND ASS'Y
173	COVER, PTO	203	DRIVE SHAFT AND ASS'Y
174	COVER/SEAL, DIFFERENTIAL	204	DRIVE SHAFT AND ASS'Y
175	COVER, PLANETARY END	205	ELBOW
176	COVER	206	ELBOW
177	CUP	207	FAN
178	CUP, VALVE	208	FAN
179	CUP, CYLINDER	209	FILTER, AIR
180	CYLINDER, MASTER	210	FILTER, AIR
181	CYLINDER, HYDRAULIC	211	FILTER, OIL
182	CYLINDER, WHEEL	212	FILTER, OIL
183	CYLINDER, SLAVE	213	FILTER, FUEL
184	CYLINDER, CLUTCH	214	FILTER, FUEL
185	CYLINDER, BRAKE	215	FILTER, HYDRAULIC
186	CYLINDER, KIT	216	FILTER, HYDRAULIC
187	DIPSTICK	217	FILTER
188	DIPSTICK	218	FITTING, GREASE
189	DISC, BRAKE (INNER)	219	FITTING, HYDRAULIC

# DESCRIPTION

220	FLANGE, BRAKE	250	GEAR, HUB/GEARMOUNT
221	FLANGE, EXHAUST	251	GEAR, HUB/GEARMOUNT
222	FLANGE	252	GEAR, RACK
223	FLINGER	253	GEAR, BULL
224	FLINGER	254	GEAR, DIFFERENTIAL
225	FORK, SHIFT	255	GEAR, POWER TAKE OFF
226	FORK	256	GEAR, WINCH
227	GASKET, TRANSMISSION	257	GEAR
228	GASKET, TRANSFER CASE	258	GEAR
229	GASKET, DIFFERENTIAL	259	GEAR
230	GASKET, PLANETARY	260	GEAR SET, DIFFERENTIAL
231	GASKET, WINCH	261	GEAR SET, DIFFERENTIAL
232	GASKET, PILLOW BLOCK	262	GEAR SET, DIFFERENTIAL
233	GASKET	263	GEAR SET, DIFFERENTIAL
234	GAUGE, AMMETER/TACHOMETER	264	GEAR SET, DIFFERENTIAL
235	GAUGE, WATER TEMPERATURE	265	GLAND
236	GAUGE, OIL PRESSURE	266	GUARD
237	GAUGE, HOURMETER	267	HANDLE
238	GAUGE, OIL PRESSURE	268	HEAD
239	GAUGE, TRANSMISSION	269	HONDU
240	GEAR, TRANSMISSION	270	HOOK
241	GEAR, TRANSMISSION	271	HOSE, WATER
242	GEAR, TRANSFER CASE	272	HOSE, HYDRAULIC
243	GEAR, TRANSFER CASE	273	HOSE, BRAKE
244	GEAR, PLANETARY	274	HOSE, OIL
245	GEAR, PLANETARY	275	HOSE, FUEL
246	GEAR, AXLE	276	HUB
247	GEAR, AXLE	277	HUB, BRAKE
248	GEAR, RING	278	HUB
249	GEAR, RING	279	INSERT

# DESCRIPTION

280	IMPELLER	310	NOSPIN
281	KEY	311	NUT, HEX/SLOTTED HEX
282	KIT, BEARING	312	NUT, HIGH
283	KIT, GASKET	313	NUT, JAM
284	KIT, GASKET & SEAL	314	NUT, LOCK
285	KIT, PACKING	315	NUT, WHEEL
286	KIT, REPAIR	316	NUT, ADJUSTING
287	KIT, BOLT	317	O'RING
288	KIT, SEAL	318	O'RING
289	KIT, SMALL PARTS	319	O'RING
290	KIT, DIFFERENTIAL UPDATE	320	PAD
291	KIT, BRAKE	321	PAD, CLAMP
292	KIT	322	PAINT
293	KNOB	323	PIN, CENTER/HINGE
294	LAMP	324	PIN, CENTER/HINGE
295	LEVER	325	PIN, CRADLE/WALKING BEAM
296	LEVER, SHIFT	326	PIN, CRADLE/WALKING BEAM
297	LEVER	327	PIN, BLADE
298	LINING	328	PIN, BOOM CYLINDER
299	LINING	329	PIN, STEERING CYLINDER
300	LINK	330	PIN, ANCHOR/CLEVIS/DOWEL
301	LINK	331	PIN, GRAPPLE
302	LOCK, BRAKE	332	PIN, DIFFERENTIAL
303	LOCK	333	PIN, PLANETARY
304	MAGNET	334	PIN, SPIRAL/ROLL
305	MEMBER, REACTION	335	PIN, FAIRLEAD
306	MOUNT	336	PIN, TRANSMISSION
307	MUFFLER	337	PIN
308	NOSPIN	338	PIPE
309	NOSPIN	339	PIPE

# DESCRIPTION

340	PISTON, HYDRAULIC	370	RING, RETAINING
341	PISTON, BRAKE	371	RING, SEALING
342	PISTON, PLUNGER	372	RING, SYNCHRONIZER
343	PLATE, CENTER	373	RING, WIPER
344	PLATE, WINCH	374	RING
345	PLATE, CYLINDER	375	RIVET
346	PLATE, PLANETARY	376	ROD, PUSH
347	PLATE, BACKING	377	ROD, CYLINDER
348	PLATE, RETAINER	378	ROD, LINKAGE
349	PLATE	379	ROD
350	PLUG, DRAIN/FILLER	380	ROLLER, ARCH
351	PLUG, DRAIN/FILLER	381	ROLLER, SIDE
352	PLUG	382	ROLLER
353	PULLEY	383	ROLLER
354	PUMP, CHARGING	384	ROLLER
355	PUMP	385	SCREEN
356	PUMP	386	SCREEN
357	PUMP	387	SCREEN, CAP
358	RAIL	388	SCREW, ADJUSTER
359	RAIL	389	SCREW ASS'Y
360	RAIL	390	SCREW, SET
361	REGULATOR, VOLTAGE	391	SCREW
362	REGULATOR, PRESSURE	392	SEAL, OIL
363	REGULATOR	393	SEAL, WIPER
364	RETAINER, BEARING	394	SEAL, ROD
365	RETAINER, BEARING & SEAL	395	SEAL, GREASE
366	RETAINER	396	SEAL
367	RING, BACKING	397	SEAL
368	RING, SNAP	398	SEALANT
369	RING PISTON	399	SEAT



# DESCRIPTION

400	SHAFT, AXLE	430	SWITCH
401	SHAFT, TRANSMISSION	431	SWITCH
402	SHAFT, TRANSFER CASE	432	SYNCHRONIZER
403	SHAFT, WINCH	433	SYNCHRONIZER
404	SHAFT, POWER TAKE OFF	434	TURBINE
405	SHAFT	435	TRANSMISSION
406	SHIM	436	TUBE
407	SHIM	437	U-JOINT
408	SHIM	438	U-JOINT
409	SHOE	439	VALVE, CONTROL
410	SHOE	440	VALVE
411	SLEEVE	441	VANE
412	SLINGER	442	WASHER, THRUST
413	SPACER, BEARING	443	WASHER, LOCK
414	SPACER	444	WASHER, FLAT
415	SPOOL	445	WASHER
416	SPIDER, DIFFERENTIAL	446	WELDMENT
417	SPIDER, PLANETARY	447	WELDMENT
418	SPIDER, PLANETARY ASS'Y	448	YOKE, END
419	SPINDLE	449	YOKE, BRAKE
420	SPINDLE	450	YOKE, SLIP
421	SPRING	451	YOKE
422	SPRING, BELLEVILLE	452	YOKE, STUB
423	SPRING, SYNCHRONIZER	453	YOKE, WELD OR TUBE
424	SPRING, SYNCHRONIZER	454	YOKE, FLANGE
425	SUPPORT, STATOR	455	YOKE, CENTER
426	STOP	456	BAFFLE
427	STUD, WHEEL	457	ELECTRIC SHIFTER
428	STUD	458	MOTOR, HYDRAULIC
429	STRAP		

# MANUFACTURER

00	BARKO	30	FARIA
01	BOWER	31	TRACTECH
02	COLE-HERSEE	32	TREE FARMER
03	CLARK	33	WAGNER
04	COMMERICAL	34	WARNER
05	COTTA	35	SEAT
06	JOHN DEERE	36	S&S CORPORATION
07	EATON	37	INTERNATIONAL
08	ESCO	38	CAT
09	FILTERS	39	SIMMONS RAND
10	FRANKLIN	40	HYDRO-AX
11	GEARMATIC	41	GKN (CENTREX)
12	GILL	42	ROCKFORD DRIVE LINE
13	IKO	43	CASE
14	LIPE	44	CASE REPLACEMENT
15	HYDRO-AX	45	CHAR-LYNN
16	MICO	46	VICKERS
17	SEAT	47	DITCH WITCH
18	MISCELLANEOUS		
19	MOTOROLA		
20	MURPHY		
21	NATIONAL		
22	NEW PROCESS		
23	PRENTICE		
24	RIKER		
25	ROCKWELL		
26	ROCKWELL		
27	SPICER		
28	CESSNA		
29	TIMBERJACK		

Manufacturers' names and part numbers are for reference purposes only. We do not suggest or imply that any item is that of the original manufacturer.

**DIFFERENTIAL**

**ROCKWELL**

<b>MODEL NUMBER</b>	<b>PAGE NUMBER</b>	<b>MODEL NUMBER</b>	<b>PAGE NUMBER</b>
<b>PR68</b> -NX1. . . . .	100	<b>PRC184</b> -N102. . . . .	850
-NX2. . . . .	100	-N103. . . . .	850
-NX4. . . . .	150, 200	-NX112 . . . . .	100
-NX6. . . . .	150, 200	<b>PRC593</b> . . . . .	300
-NX14 . . . . .	250	<b>PRC594</b> -W3H204. . . . .	650
<b>PR75</b> -NX83 . . . . .	100	<b>PRC672</b> -N102. . . . .	850
-NX84 . . . . .	350, 500	-N200. . . . .	850
-NX112. . . . .	100	<b>PRC673</b> -N202. . . . .	850
-NX113. . . . .	350, 500	<b>PRC694</b> -N10 . . . . .	700
-NX119. . . . .	400, 500	<b>PRC726</b> -N200. . . . .	850
-NX127. . . . .	150	<b>PRC863</b> -N200. . . . .	750
-NX128. . . . .	400, 500	-N201. . . . .	750
-NX143. . . . .	450, 500	<b>PRC1757</b> -N100. . . . .	900
-NX145. . . . .	450, 500	-N102. . . . .	900
-NX159. . . . .	200	-N200. . . . .	900
-NX164. . . . .	250	-N202. . . . .	900
<b>PR76</b> -NX9. . . . .	100	-N204. . . . .	900
-NX14 . . . . .	100	<b>PRC1935</b> -N100. . . . .	900
-NX16 . . . . .	150	-N102. . . . .	900
-NX17 . . . . .	200	-N105. . . . .	900
-NX18 . . . . .	250	<b>PRM125</b> -N100. . . . .	600
-NX83 . . . . .	100	<b>PRM130</b> -N102. . . . .	700
-NX112. . . . .	100	-N112. . . . .	700
<b>PR78</b> -NX1. . . . .	550	<b>PRM151</b> -N100. . . . .	700, 750
<b>PR125</b> -NX1. . . . .	550	-NX22. . . . .	700
-NX2. . . . .	600	<b>PRM158</b> -N100. . . . .	800
<b>PR130</b> -NX2. . . . .	700	-N103. . . . .	800
<b>PR151</b> -NX12 . . . . .	700	<b>PRM258</b> -N100. . . . .	900
-NX21 . . . . .	750	<b>PRM672</b> -N100. . . . .	700
-NX22 . . . . .	700	<b>PRM1725</b> -N100. . . . .	900
<b>PR158</b> -NX2. . . . .	800	<b>PRS204</b> -N13 . . . . .	200
<b>PR235</b> -NX4. . . . .	800	<b>PRS204</b> . . . . .	300
<b>PR258</b> -NX1. . . . .	900	<b>PRLS593</b> . . . . .	300
-NX7. . . . .	900	<b>PRLS624</b> . . . . .	300
<b>PR305</b> -NX3. . . . .	900	<b>PRLS624</b> -N203. . . . .	650
-NX4. . . . .	900	<b>PRLS625</b> -N11 . . . . .	650

Manufacturers' names, part numbers and model numbers are for reference purposes only. We do not suggest or imply that any item is that of the original manufacturer. (c) 1991 Aftermarket Parts, Inc.

**CONTENTS**

**SECTION 1**

**EATON**

MODEL NUMBER	PAGE NUMBER	MODEL NUMBER	PAGE NUMBER
<b>W3117</b> -S16036A . . .	1300	<b>WR6</b> -S29304A,B,C. . .	1450
<b>W3120</b> -S16035A . . .	1300	-S31346A,B. . .	1450
<b>W3127</b> -S17469A . . .	1300	-S32167A. . . .	1450
-S17470A . . .	1300	-S32879A. . . .	1500
-S17551A . . .	1300	<b>WR31</b> -S22922A. . . .	1300
-S21064A . . .	1300	-S22988A. . . .	1300
-S21721. . . .	1300	-S22989A,B. . . .	1300
<b>W3128</b> -S18022A . . .	1300	-S22990A,B. . . .	1300
<b>W5128</b> -S17977A . . .	1250	-S22991A,B. . . .	1300
<b>WR3</b> -S27514A . . .	1300	-S23135A,B. . . .	1300
-S27514C . . .	1350	-S24027A,B. . . .	1300
-S27681A . . .	1300	-S27682A. . . .	1300
-S28679A . . .	1300	-S27683A. . . .	1300
-S28680A . . .	1300	-S27684A. . . .	1300
-S28680C . . .	1350	<b>WR51</b> -S22993A,B. . . .	1250
-S32165A . . .	1350	-S22994A,B. . . .	1250
<b>WR5</b> -S27685A . . .	1250	-S27686A. . . .	1250
-S27685C . . .	1400		
-S28693C . . .	1400		
-S29806C . . .	1400		
-S32166A . . .	1400		

**FRANKLIN/SOMA**

<b>F175</b> . . . . .	1750		
-----------------------	------	--	--

**FRANKLIN/EATON**

<b>A201</b> . . . . .	1900	<b>F240</b> . . . . .	2000
<b>F185</b> . . . . .	1850	<b>FA175</b> . . . . .	1800
<b>F230</b> . . . . .	1950		

**CLARK**

<b>FD17600.</b> . . . . .	2250	<b>FD17620</b> . . . . .	2250
<b>RD17600.</b> . . . . .	2250	<b>RD17620</b> . . . . .	2250

Manufacturers' names, part numbers and model numbers are for reference purposes only. We do not suggest or imply that any item is that of the original manufacturer. (c) 1991 Aftermarket Parts, Inc.

**CONTENTS**

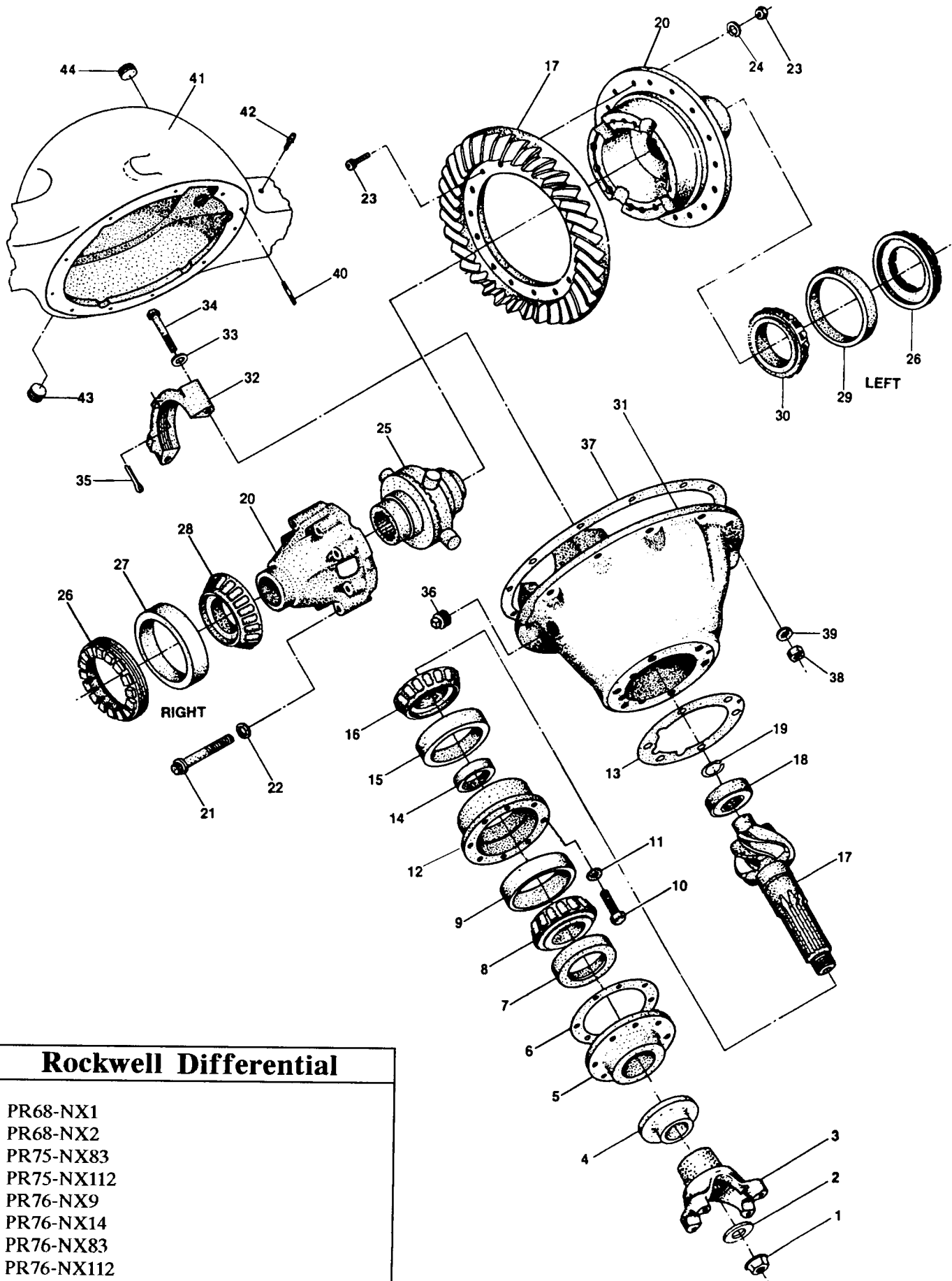
**SECTION 1**

**CASE**

<b>MODEL NUMBER</b>	<b>PAGE NUMBER</b>	<b>MODEL NUMBER</b>	<b>PAGE NUMBER</b>
580 B CK. . . . .	2500		
580 C . . . . .	2550		
580 B . . . . .	2600		

Manufacturers' names, part numbers and model numbers are for reference purposes only. We do not suggest or imply that any item is that of the original manufacturer. (c) 1996 Aftermarket Parts, Inc.





### Rockwell Differential

- PR68-NX1
- PR68-NX2
- PR75-NX83
- PR75-NX112
- PR76-NX9
- PR76-NX14
- PR76-NX83
- PR76-NX112

Manufacturers' names, part numbers and model numbers are for reference purposes only. We do not suggest or imply that any item is that of the original manufacturer. ©1991 Aftermarket Parts, Inc.





# Rockwell Differential

**Model Numbers:**

PR68-NX1	PR76-NX9
PR68-NX2	PR76-NX14
PR75-NX83	PR76-NX83
PR75-NX112	PR76-NX112

REF	AFTERMARKET NO.	DESCRIPTION/COMMENT	QTY	
1	1542507	Carrier Ass'y, Differential	1	
	3142500	Nut	1	
	2	4442501	Washer	1
	3	4482710	Yoke	1
		4482500	Yoke, Franklin	1
4	4122500	Slinger	1	
	4122502	Slinger	1	
5	1742503	Cover and Seal	1	
6	2292503	Gasket	1	
7	3922110	Seal	1	
8	1220116	Bearing Cone - Outer	1	
9	1200116	Bearing Cup - Outer	1	
10	3/8-16UNCX1 1/4	Capscrew	8	
11	4442500	Washer	8	
12	1502504	Cage and Cup	1	
13	4062500	Shim - .003	A/R	
	4062501	Shim - .005	A/R	
14	4132500	Spacer - .153	A/R	
	4132501	Spacer - .154	A/R	
	4132502	Spacer - .155	A/R	
	4132503	Spacer - .156	A/R	
	4132504	Spacer - .157	A/R	
	4132505	Spacer - .158	A/R	
	4132506	Spacer - .164	A/R	
	4132507	Spacer - .170	A/R	
	4132508	Spacer - .172	A/R	
	4132509	Spacer - .173	A/R	
	4132510	Spacer - .174	A/R	
	4132511	Spacer - .175	A/R	
	4132512	Spacer - .176	A/R	

Manufacturers' names, part numbers and model numbers are for reference purposes only. We do not suggest or imply that any item is that of the original manufacturer. (c) 1991 Aftermarket Parts Inc.

# Rockwell Differential

REF	AFTERMARKET NO.	DESCRIPTION/COMMENT	QTY
(14)	4132513	Spacer - .177	A/R
	4132514	Spacer - .182	A/R
	4132515	Spacer - .183	A/R
	4132516	Spacer - .189	A/R
	4132517	Spacer - .195	A/R
	4132518	Spacer - .201	A/R
15	1200138	Bearing Cup - Inner	1
16	1220138	Bearing Cone - Inner	1
17	2602502	Drive Gear/Pinion 5:31 P36171, RG35512	1
	2602501	Drive Gear/Pinion 5:34 P36169, RG35510	1
	2602508	Drive Gear/Pinion 5:36 P36167, RG35780	1
	2602505	Drive Gear/Pinion 5:39 P36165, RG35634	1
18	1260104	Rear Bearing	1
19	3682500	Lock Ring	1
20	1542501	Case Ass'y - Differential	1
		Case, Flanged Half	N/A
		Case, Plain Half	N/A
21	1/2-13UNCX3	Capscrew	8
22	4442500	Washer	8
23	2872501	Bolt Kit	1
24	4442500	Washer	12
25	3083150	No Spin	1
26	3162501	Adjusting Nut - Left Hand	1
	3162500	Adjusting Nut - Right Hand	1
27	1200111	Bearing Cup - Right Hand	1
28	1220111	Bearing Cone - Right Hand	1
29	1200113	Bearing Cup - Left Hand	1
30	1220113	Bearing Cone - Left Hand	1
	1542502	Carrier and Cap Ass'y	1
31		Carrier	N/A
32		Cap	N/A
33	5/8	Washer, Flat	4
34	5/8-11UNCX3 1/4	Capscrew	4
35	3372500	Cotter Pin	2
36	3512500	Plug - Oil Filler	1

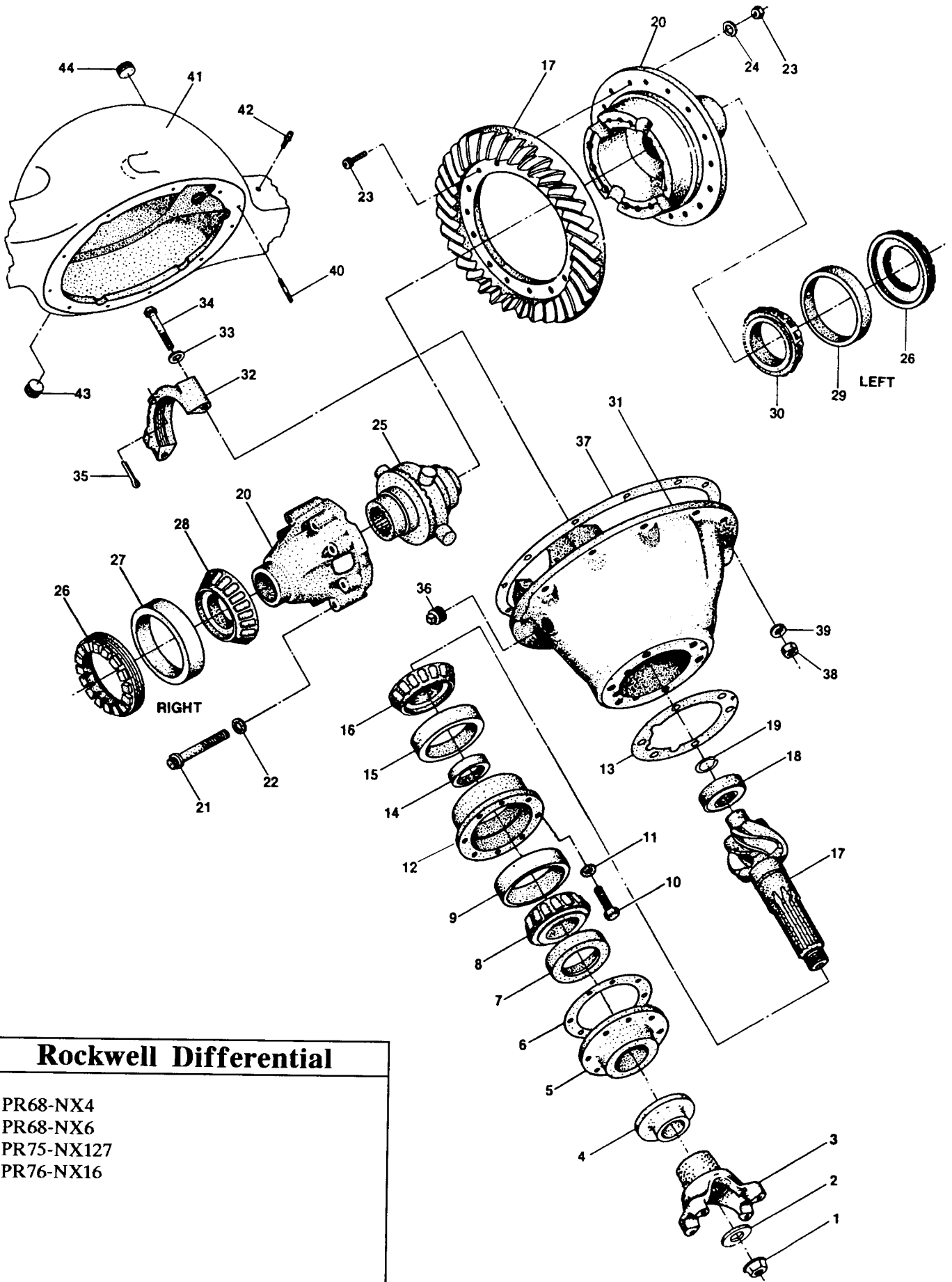
Manufacturers' names, part numbers and model numbers are for reference purposes only. We do not suggest or imply that any item is that of the original manufacturer. (c) 1991 Aftermarket Parts Inc.

# Rockwell Differential

REF	AFTERMARKET NO.	DESCRIPTION/COMMENT	QTY
37	2292504	Gasket	1
38	3112901	Nut	10
39	4442509	Washer	10
40	4282500	Stud - Short	A/R
	4282502	Stud - Medium	A/R
41	4282501	Stud - Long	A/R
42	1422900	Housing and Stud Carrier	N/A
43	3502500	Breather	1
44	3512500	Plug - Oil Drain	1
	3512500	Plug - Oil Filler	1
	2902500	Update Kit- Items 5,6,7,8,9,10,12,13,14, 15,16,27,31,32,33, and 34	1

Manufacturers' names, part numbers and model numbers are for reference purposes only. We do not suggest or imply that any item is that of the original manufacturer. (c) 1991 Aftermarket Parts Inc.





## Rockwell Differential

PR68-NX4  
 PR68-NX6  
 PR75-NX127  
 PR76-NX16



# Rockwell Differential

**Model Numbers:**

PR68-NX4	PR75-NX127
PR68-NX6	PR76-NX16

REF	AFTERMARKET NO.	DESCRIPTION/COMMENT	QTY	
1	1542507	Carrier Ass'y, Differential	1	
	3142500	Nut	1	
	2	4442501	Washer	1
	3	4482710	Yoke	1
		4482500	Yoke, Franklin	1
4	4122500	Slinger	1	
	4122502	Slinger	1	
5	1742500	Cover and Seal	1	
6	2292502	Gasket	1	
7	3922110	Seal	1	
8	1220116	Bearing Cone - Outer	1	
9	1200116	Bearing Cup - Outer	1	
10	7/16-14UNCX1 1/4	Capscrew	8	
11	4442503	Washer	8	
12	1502505	Cage and Cup	1	
13	4062502	Shim - .003	A/R	
	4062503	Shim - .005	A/R	
	4062504	Shim - .010	A/R	
14	4132500	Spacer - .153	A/R	
	4132501	Spacer - .154	A/R	
	4132502	Spacer - .155	A/R	
	4132503	Spacer - .156	A/R	
	4132504	Spacer - .157	A/R	
	4132505	Spacer - .158	A/R	
	4132506	Spacer - .164	A/R	
	4132507	Spacer - .170	A/R	
	4132508	Spacer - .172	A/R	
	4132509	Spacer - .173	A/R	
	4132510	Spacer - .174	A/R	
	4132511	Spacer - .175	A/R	

Manufacturers' names, part numbers and model numbers are for reference purposes only. We do not suggest or imply that any item is that of the original manufacturer. (c) 1991 Aftermarket Parts Inc.

# Rockwell Differential

REF	AFTERMARKET NO.	DESCRIPTION/COMMENT	QTY
(14)	4132512	Spacer - .176	A/R
	4132513	Spacer - .177	A/R
	4132514	Spacer - .182	A/R
	4132515	Spacer - .183	A/R
	4132516	Spacer - .189	A/R
15	4132517	Spacer - .195	A/R
	4132518	Spacer - .201	A/R
	1200133	Bearing Cup - Inner	1
	16 1220133	Bearing Cone - Inner	1
	17 2602502	Drive Gear/Pinion 5:31 P36171, RG35512	1
18	2602501	Drive Gear/Pinion 5:34 P36169, RG35510	1
	2602508	Drive Gear/Pinion 5:36 P36167, RG35780	1
	2602505	Drive Gear/Pinion 5:39 P36165, RG35634	1
	1260104	Rear Bearing	1
	19 3682500	Lock Ring	1
20	1542500	Case Ass'y - Differential	1
		Case, Flanged Half	N/A
		Case, Plain Half	N/A
21	1/2-13UNCX3	Capscrew	8
22	4442500	Washer	8
23	2872501	Bolt Kit	1
24	4442500	Washer	12
25	3083150	No Spin	1
26	3162500	Adjusting Nut - Left Hand	1
	3162500	Adjusting Nut - Right Hand	1
27	1200112	Bearing Cup - Right Hand	1
28	1220113	Bearing Cone - Right Hand	1
29	1200112	Bearing Cup - Left Hand	1
30	1220113	Bearing Cone - Left Hand	1
	1542502	Carrier and Cap Ass'y	1
31		Carrier	N/A
32		Cap	N/A
33	5/8	Washer, Flat	4
34	5/8-11UNCX3 1/4	Capscrew	4
35	3372500	Cotter Pin	2

Manufacturers' names, part numbers and model numbers are for reference purposes only. We do not suggest or imply that any item is that of the original manufacturer. (c) 1991 Aftermarket Parts Inc.

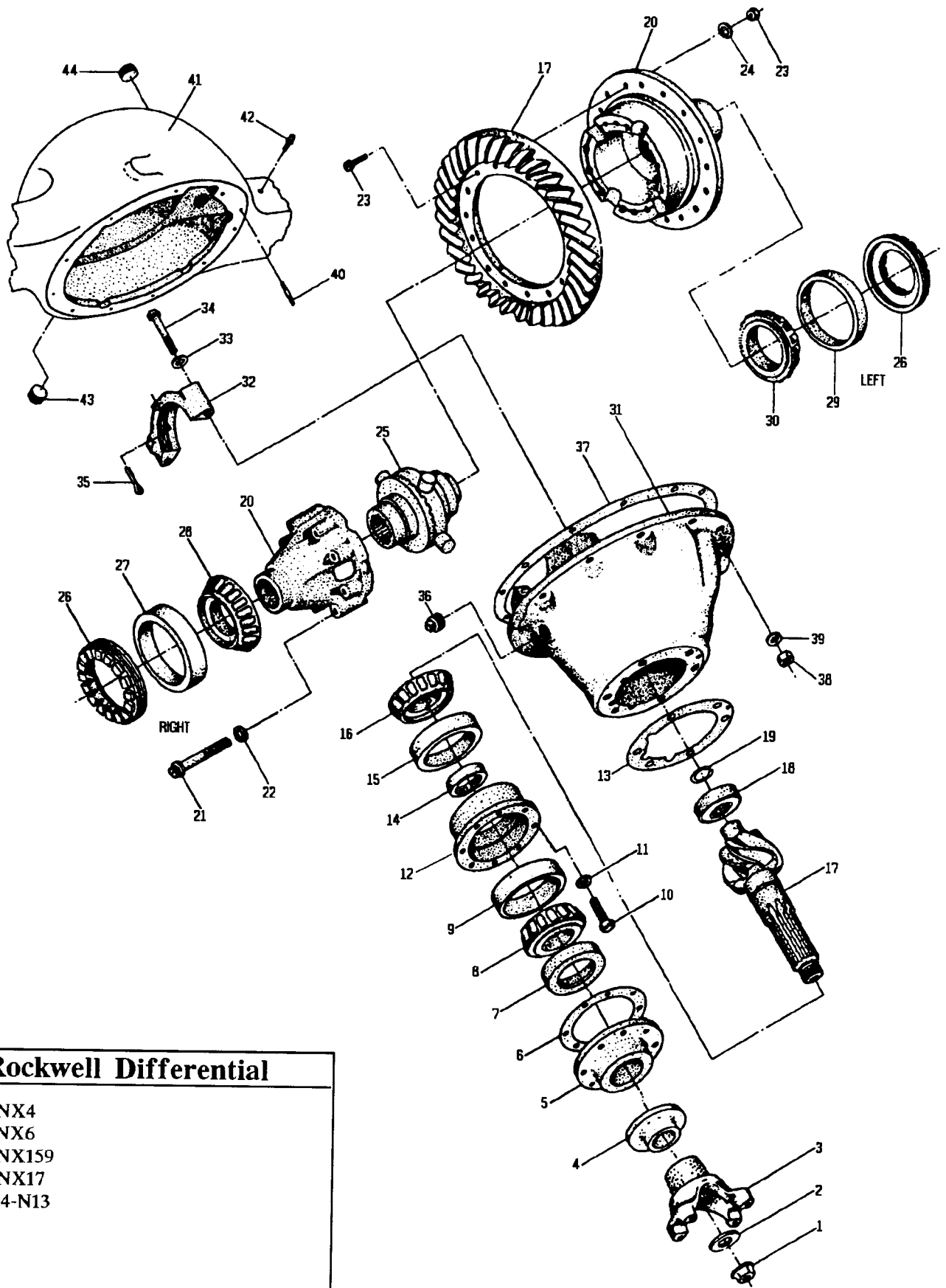


# Rockwell Differential

REF	AFTERMARKET NO.	DESCRIPTION/COMMENT	QTY
36	3512500	Plug - Oil Filler	1
37	2292504	Gasket	1
38	3112901	Nut	10
39	4442509	Washer	10
40	4282500	Stud - Short	A/R
41	4282502	Stud - Medium	A/R
	4282501	Stud - Long	A/R
		Housing and Stud Carrier	N/A
		Breather	1
42	1422900	Breather	1
43	3502500	Plug - Oil Drain	1
44	3512500	Plug - Oil Filler	1
	2902500	Update Kit- Items 5,6,7,8,9,10,12,13,14, 15,16,27,31,32,33, and 34	1

Manufacturers' names, part numbers and model numbers are for reference purposes only. We do not suggest or imply that any item is that of the original manufacturer. (c) 1991 Aftermarket Parts Inc.





### Rockwell Differential

PR68-NX4  
 PR68-NX6  
 PR75-NX159  
 PR76-NX17  
 PRS204-N13



# Rockwell Differential

**Model Numbers:**

PR68-NX4	PR75-NX159
PR68-NX6	PR76-NX17
PRS204-N13	

REF	AFTERMARKET NO.	DESCRIPTION/COMMENT	QTY	
1	1542507	Carrier Ass'y, Differential	1	
	3142500	Nut	1	
	2	4442501	Washer	1
	3	4482710	Yoke	1
		4482500	Yoke, Franklin	1
4	4122500	Slinger	1	
	4122502	Slinger	1	
5	1742500	Cover and Seal	1	
6	2292502	Gasket	1	
7	3922110	Seal	1	
8	1220116	Bearing Cone - Outer	1	
9	1200116	Bearing Cup - Outer	1	
10	7/16-14UNCX1 1/4	Capscrew	8	
11	4442503	Washer	8	
12	1502505	Cage and Cup	1	
13	4062502	Shim - .003	A/R	
	4062503	Shim - .005	A/R	
	4062504	Shim - .010	A/R	
14	4132500	Spacer - .153	A/R	
	4132501	Spacer - .154	A/R	
	4132502	Spacer - .155	A/R	
	4132503	Spacer - .156	A/R	
	4132504	Spacer - .157	A/R	
	4132505	Spacer - .158	A/R	
	4132506	Spacer - .164	A/R	
	4132507	Spacer - .170	A/R	
	4132508	Spacer - .172	A/R	
	4132509	Spacer - .173	A/R	
	4132510	Spacer - .174	A/R	
	4132511	Spacer - .175	A/R	

Manufacturers' names, part numbers and model numbers are for reference purposes only. We do not suggest or imply that any item is that of the original manufacturer. (c) 1991 Aftermarket Parts Inc.

# Rockwell Differential

REF	AFTERMARKET NO.	DESCRIPTION/COMMENT	QTY
(14)	4132512	Spacer - .176	A/R
	4132513	Spacer - .177	A/R
	4132514	Spacer - .182	A/R
	4132515	Spacer - .183	A/R
	4132516	Spacer - .189	A/R
	4132517	Spacer - .195	A/R
	4132518	Spacer - .201	A/R
15	1200133	Bearing Cup - Inner	1
16	1220133	Bearing Cone - Inner	1
17	2602502	Drive Gear/Pinion 5:31 P36171, RG35512	1
	2602501	Drive Gear/Pinion 5:34 P36169, RG35510	1
	2602508	Drive Gear/Pinion 5:36 P36167, RG35780	1
	2602505	Drive Gear/Pinion 5:39 P36165, RG35634	1
18	1260104	Rear Bearing	1
19	3682500	Lock Ring	1
20	1542500	Case Ass'y - Differential	1
		Case, Flanged Half	N/A
		Case, Plain Half	N/A
21	1/2-13UNCX3	Capscrew	8
22	4442500	Washer	8
23	2872501	Bolt Kit	1
24	4442500	Washer	12
25	3083150	No Spin	1
26	3162500	Adjusting Nut - Left Hand	1
	3162500	Adjusting Nut - Right Hand	1
27	1200112	Bearing Cup - Right Hand	1
28	1220113	Bearing Cone - Right Hand	1
29	1200112	Bearing Cup - Left Hand	1
30	1220113	Bearing Cone - Left Hand	1
	1542502	Carrier and Cap Ass'y	1
31		Carrier	N/A
32		Cap	N/A
33	5/8	Washer, Flat	4
34	5/8-11UNCX3 1/4	Capscrew	4
35	3372500	Cotter Pin	2

Manufacturers' names, part numbers and model numbers are for reference purposes only. We do not suggest or imply that any item is that of the original manufacturer. (c) 1991 Aftermarket Parts Inc.

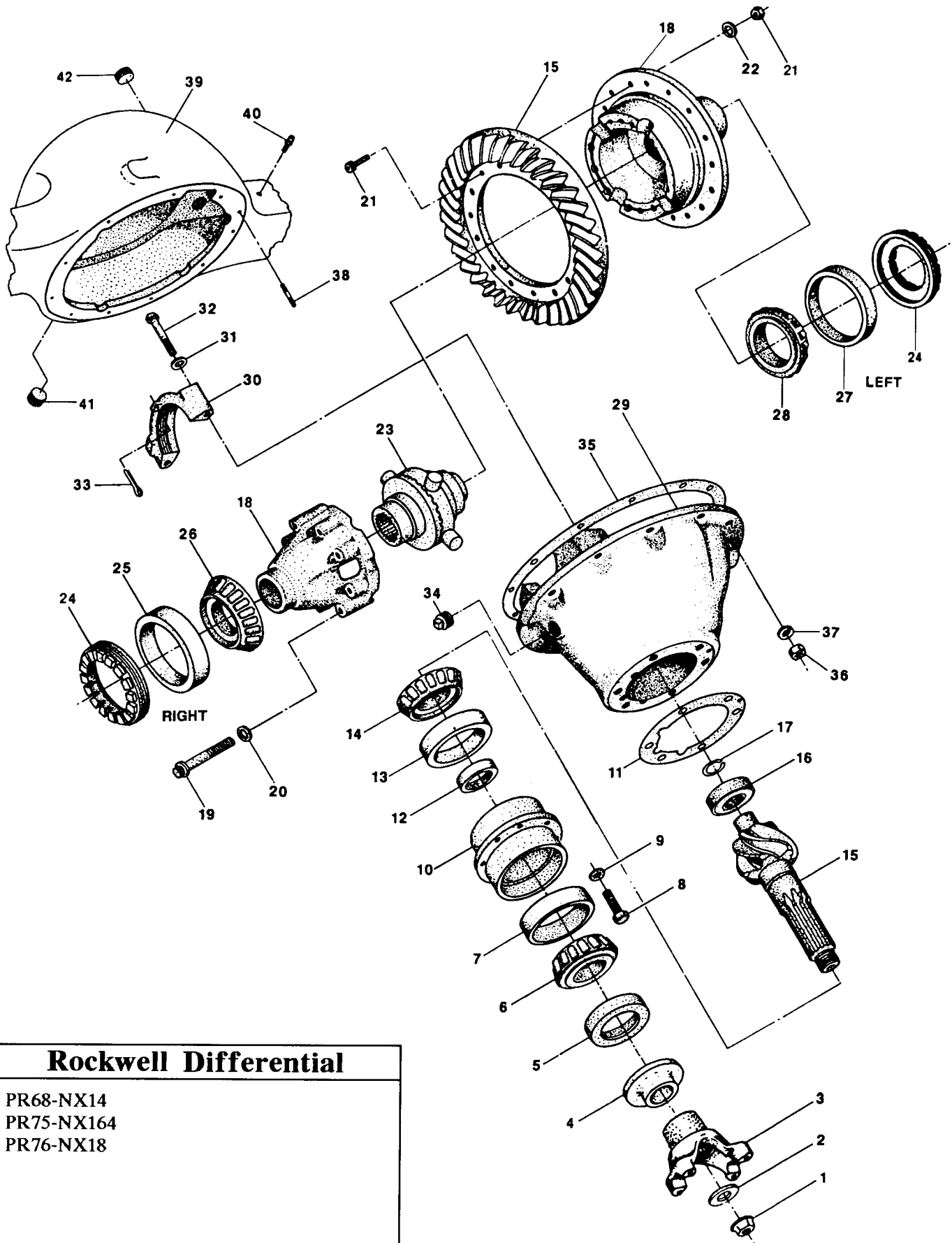
# Rockwell Differential

REF	AFTERMARKET NO.	DESCRIPTION/COMMENT	QTY
36	3512500	Plug - Oil Filler	1
37	2292504	Gasket	1
38	3112901	Nut	10
39	4442509	Washer	10
40	4282500	Stud - Short	A/R
	4282502	Stud - Medium	A/R
	4282501	Stud - Long	A/R
41		Housing and Stud Carrier	N/A
42	1422900	Breather	1
43	3502500	Plug - Oil Drain	1
44	3512500	Plug - Oil Filler	1
	2902500	Update Kit- Items 5,6,7,8,9,10,12,13,14 15,16,27,31,32,33, and 34	1

Manufacturers' names, part numbers and model numbers are for reference purposes only. We do not suggest or imply that any item is that of the original manufacturer. (c) 1991 Aftermarket Parts Inc.









# Rockwell Differential

REF	AFTERMARKET NO.	DESCRIPTION/COMMENT	QTY
(12)	4132514	Spacer - .182	A/R
	4132515	Spacer - .183	A/R
	4132516	Spacer - .189	A/R
	4132517	Spacer - .195	A/R
	4132518	Spacer - .201	A/R
13	1200133	Bearing Cup - Inner	1
14	1220133	Bearing Cone - Inner	1
15	2602502	Drive Gear/Pinion 5:31 P36171, RG35512	1
	2602501	Drive Gear/Pinion 5:34 P36169, RG35510	1
	2602508	Drive Gear/Pinion 5:36 P36167, RG35780	1
	2602505	Drive Gear/Pinion 5:39 P36165, RG35634	1
16	1260104	Rear Bearing	1
17	3682500	Lock Ring	1
18	1542500	Case Ass'y - Differential	1
		Case, Flanged Half	N/A
		Case, Plain Half	N/A
19	1/2-13UNCX3	Capscrew	8
20	4442500	Washer	8
21	2872501	Bolt Kit	1
22	4442500	Washer	12
23	3083150	No Spin	1
24	3162500	Adjusting Nut - Left Hand	1
	3162500	Adjusting Nut - Right Hand	1
25	1200112	Bearing Cup -Right Hand	1
26	1220113	Bearing Cone - Right Hand	1
27	1200112	Bearing Cup - Left Hand	1
28	1220113	Bearing Cone - Left Hand	1
	1542502	Carrier and Cap Ass'y	1
29		Carrier	N/A
30		Cap	N/A
31	5/8	Washer	4
32	5/8-11UNCX3 1/4	Capscrew	4
33	3372500	Cotter Pin	2
34	3512500	Plug - Oil Filler	1
35	2292504	Gasket	1

Manufacturers' names, part numbers and model numbers are for reference purposes only. We do not suggest or imply that any item is that of the original manufacturer. (c) 1991 Aftermarket Parts Inc.

# Rockwell Differential

**Model Numbers:**

PR68-NX14                      PR76-NX18  
 PR75-NX164

REF	AFTERMARKET NO.	DESCRIPTION/COMMENT	QTY
1	1542507	Carrier Ass'y, Differential	1
	3142500	Nut	1
	4442501	Washer	1
	4482721	Yoke	1
	4482500	Yoke, Franklin	1
4	4121801	Slinger	1
	4122502	Slinger	1
5	3922144	Seal	1
6	1220116	Bearing Cone - Outer	1
7	1200116	Bearing Cup - Outer	1
8	7/16-14UNCX1 1/4	Capscrew	8
9	4442503	Washer	8
10	1502500	Cage and Cup	1
11	4062502	Shim - .003	A/R
	4062503	Shim - .005	A/R
12	4062504	Shim - .010	A/R
	4132500	Spacer - .153	A/R
	4132501	Spacer - .154	A/R
	4132502	Spacer - .155	A/R
	4132503	Spacer - .156	A/R
	4132504	Spacer - .157	A/R
	4132505	Spacer - .158	A/R
	4132506	Spacer - .164	A/R
	4132507	Spacer - .170	A/R
	4132508	Spacer - .172	A/R
	4132509	Spacer - .173	A/R
	4132510	Spacer - .174	A/R
	4132511	Spacer - .175	A/R
	4132512	Spacer - .176	A/R
	4132513	Spacer - .177	A/R

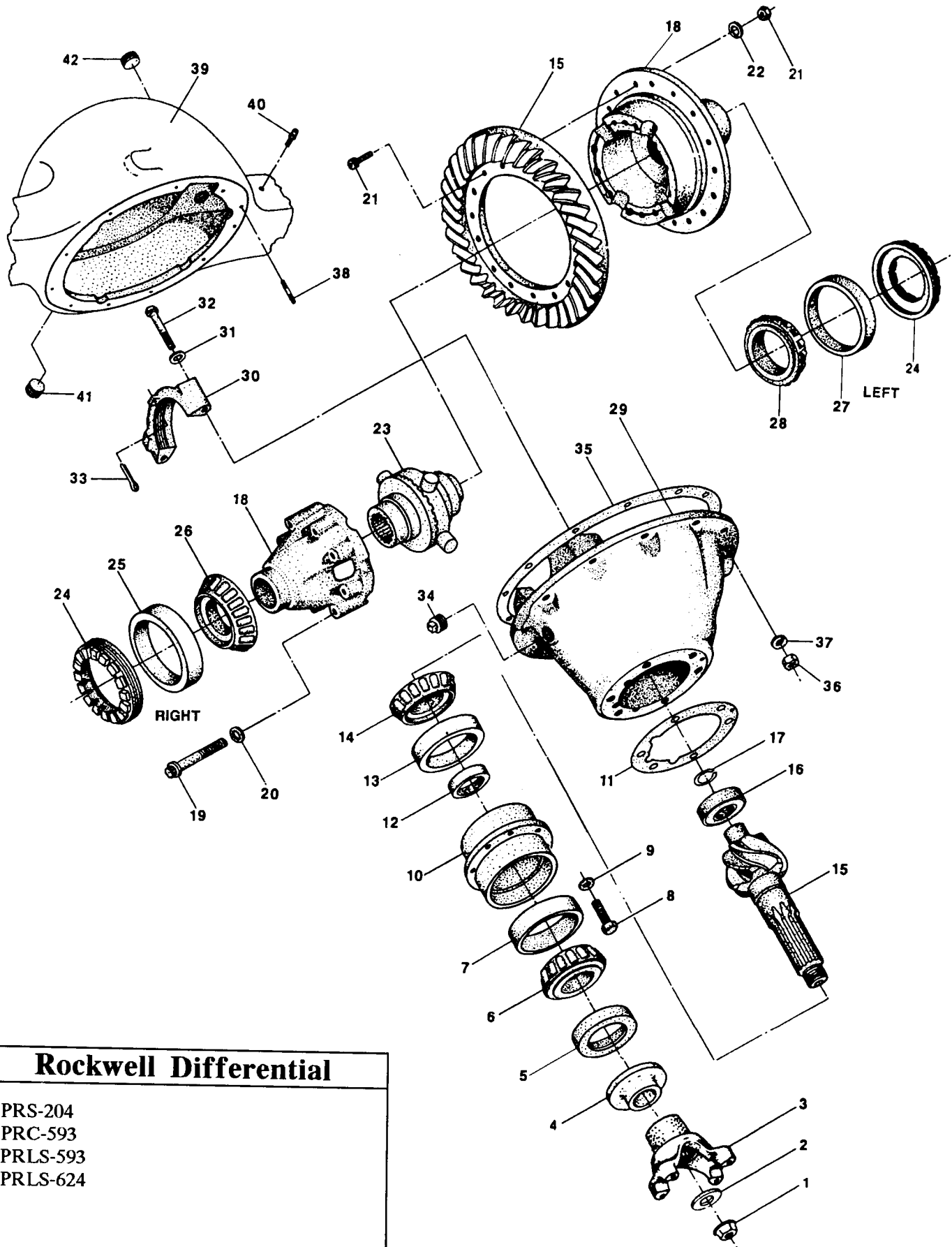
Manufacturers' names, part numbers and model numbers are for reference purposes only. We do not suggest or imply that any item is that of the original manufacturer. (c) 1991 Aftermarket Parts Inc.

# Rockwell Differential

REF	AFTERMARKET NO.	DESCRIPTION/COMMENT	QTY
36	3112901	Nut	10
37	4442509	Washer	10
38	4282500	Stud - Short	A/R
	4282502	Stud - Medium	A/R
	4282501	Stud - Long	A/R
39		Housing and Stud Carrier	1
40	1422900	Breather	1
41	3502500	Plug - Oil Drain	1
42	3512500	Plug - Oil Filler	1
	2902500	Update Kit- Items 5,6,7,8,9,10,12,13,14 15,16,27,31,32,33, and 34	1

Manufacturers' names, part numbers and model numbers are for reference purposes only. We do not suggest or imply that any item is that of the original manufacturer. (c) 1991 Aftermarket Parts Inc.





### Rockwell Differential

PRS-204  
 PRC-593  
 PRLS-593  
 PRLS-624





# Rockwell Differential

**Model Numbers:**

PRS-204                      PRLS-593  
 PRC-593                      PRLS-624

REF	AFTERMARKET NO.	DESCRIPTION/COMMENT	QTY
	1542510	Carrier Ass'y, Differential	1
1	3142500	Nut	1
2	4442501	Washer	1
3	4482721	Yoke	1
	4482500	Yoke, Franklin	1
4	4121801	Slinger	1
	4122502	Slinger	1
5	3922144	Seal	1
6	1220116	Bearing Cone - Outer	1
7	1200116	Bearing Cup - Outer	1
8	7/16-14UNCX1 1/4	Capscrew	8
9	4442503	Washer	8
10	1502500	Cage and Cup	1
11	4062502	Shim - .003	A/R
	4062503	Shim - .005	A/R
	4062504	Shim - .010	A/R
12	4132500	Spacer - .153	A/R
	4132501	Spacer - .154	A/R
	4132502	Spacer - .155	A/R
	4132503	Spacer - .156	A/R
	4132504	Spacer - .157	A/R
	4132505	Spacer - .158	A/R
	4132506	Spacer - .164	A/R
	4132507	Spacer - .170	A/R
	4132508	Spacer - .172	A/R
	4132509	Spacer - .173	A/R
	4132510	Spacer - .174	A/R
	4132511	Spacer - .175	A/R
	4132512	Spacer - .176	A/R
	4132513	Spacer - .177	A/R

Manufacturers' names, part numbers and model numbers are for reference purposes only. We do not suggest or imply that any item is that of the original manufacturer. (c) 1991 Aftermarket Parts Inc.

# Rockwell Differential

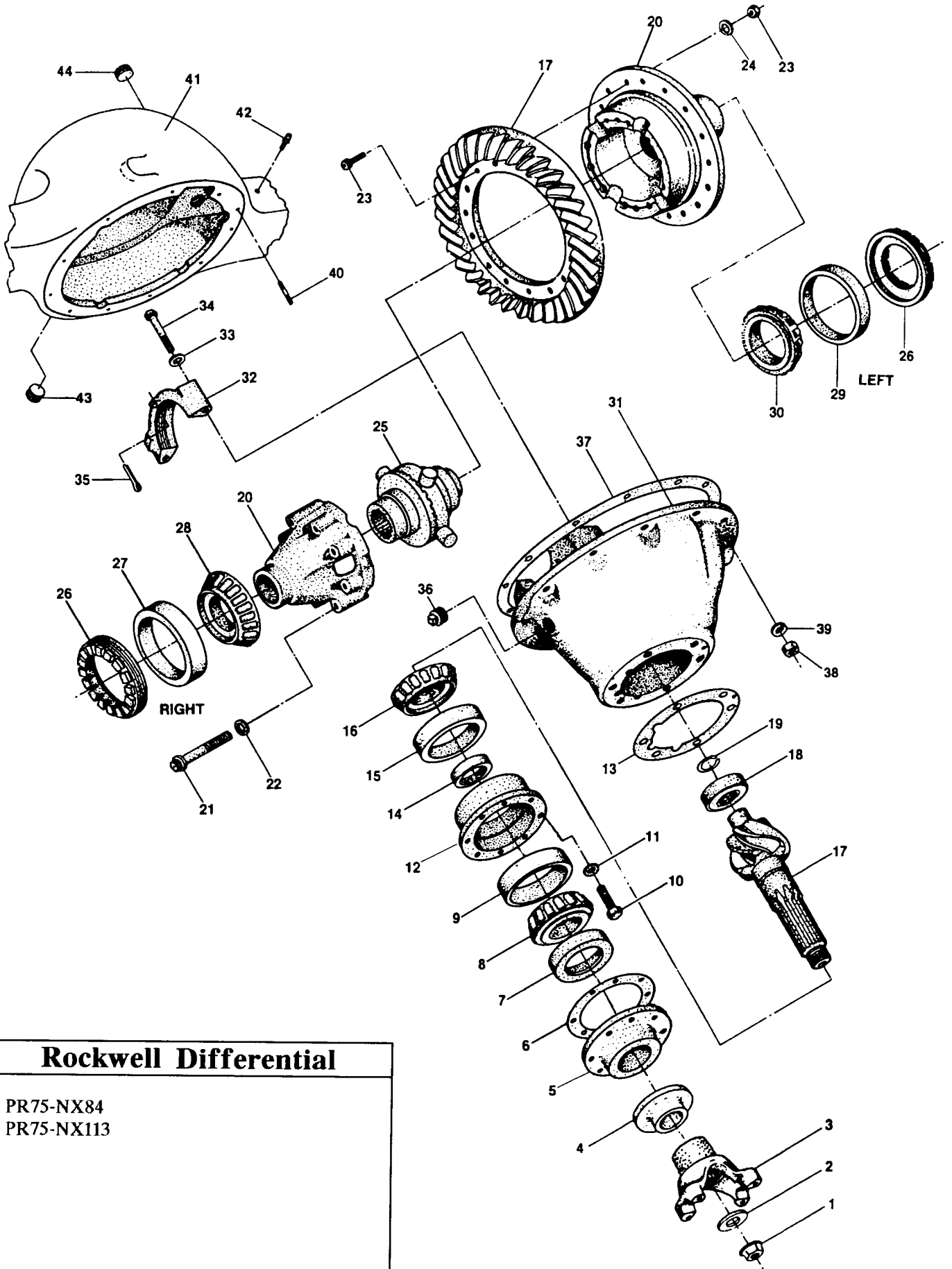
REF	AFTERMARKET NO.	DESCRIPTION/COMMENT	QTY
(12)	4132514	Spacer - .182	A/R
	4132515	Spacer - .183	A/R
	4132516	Spacer - .189	A/R
	4132517	Spacer - .195	A/R
	4132518	Spacer - .201	A/R
13	1200133	Bearing Cup - Inner	1
14	1220133	Bearing Cone - Inner	1
15	2602502	Drive Gear/Pinion 5:31 P36171, RG35512	1
	2602501	Drive Gear/Pinion 5:34 P36169, RG35510	1
	2602508	Drive Gear/Pinion 5:36 P36167, RG35780	1
	2602505	Drive Gear/Pinion 5:39 P36165, RG35634	1
	2602509	Drive Gear/Pinion 7:37 P36053, RG35798	1
16	1260104	Rear Bearing	1
17	3682500	Lock Ring	1
18	1542500	Case Ass'y - Differential	1
19	1/2-13UNCX3	Case, Flanged Half or Plain Half	N/A
20	4442500	Capscrew	8
21	2872501	Washer	8
22	4442500	Bolt Kit	1
23	3083150	Washer	12
24	3162500	No Spin	1
	3162500	Adjusting Nut - Left Hand	1
	3162500	Adjusting Nut - Right Hand	1
25	1200112	Bearing Cup - Right Hand	1
26	1220113	Bearing Cone - Right Hand	1
27	1200112	Bearing Cup - Left Hand	1
28	1220113	Bearing Cone - Left Hand	1
	1542504	Carrier and Cap Ass'y	1
29		Carrier	N/A
30		Cap	N/A
31	5/8	Washer	4
32	5/8-11UNCX3 1/4	Capscrew	4
33	3372500	Cotter Pin	2
34	3512500	Plug - Oil Filler	1
35	2292504	Gasket	1

Manufacturers' names, part numbers and model numbers are for reference purposes only. We do not suggest or imply that any item is that of the original manufacturer. (c) 1991 Aftermarket Parts Inc.

# Rockwell Differential

REF	AFTERMARKET NO.	DESCRIPTION/COMMENT	QTY
36	3112901	Nut	10
37	4422509	Washer	10
38	4282500	Stud - Short	A/R
	4282502	Stud - Medium	A/R
	4282501	Stud - Long	A/R
39		Housing and Stud Carrier	N/A
40	1422900	Breather	1
41	3502500	Plug - Oil Drain	1
42	3512500	Plug - Oil Filler	1
		Update Kit - Items 5,6,7,8,9,10,12,13,14, 15,16,27,31,32,33, and 34	1

Manufacturers' names, part numbers and model numbers are for reference purposes only. We do not suggest or imply that any item is that of the original manufacturer. (c) 1991 Aftermarket Parts Inc.



### Rockwell Differential

PR75-NX84  
PR75-NX113

# Rockwell Differential

**Model Numbers:**

PR75-NX84

PR75-NX113

REF	AFTERMARKET NO.	DESCRIPTION/COMMENT	QTY
	1542512	Carrier Ass'y, Differential	1
1	3142500	Nut	1
2	4442501	Washer	1
3	4482704	Yoke	1
	4482501	Yoke, Franklin	1
4	4121802	Slinger	1
	4122503	Slinger	1
5	1742504	Cover and Seal	1
6	2292502	Gasket	1
7	3922113	Seal	1
8	1220137	Bearing Cone - Outer	1
9	1200137	Bearing Cup - Outer	1
10	7/16-14UNCX1 3/8	Capscrew	8
11	4442503	Washer	8
12	1502503	Cage and Cup	1
13	4062502	Shim - .003	A/R
	4062503	Shim - .005	A/R
	4062504	Shim - .010	A/R
14	4132519	Spacer - .125	A/R
	4132520	Spacer - .126	A/R
	4132521	Spacer - .127	A/R
	4132522	Spacer - .128	A/R
	4132523	Spacer - .129	A/R
	4132524	Spacer - .130	A/R
	4132525	Spacer - .136	A/R
	4132526	Spacer - .142	A/R
	4132527	Spacer - .148	A/R
	4132528	Spacer - .154	A/R
	4132529	Spacer - .158	A/R
	4132530	Spacer - .165	A/R

Manufacturers' names, part numbers and model numbers are for reference purposes only. We do not suggest or imply that any item is that of the original manufacturer. (c) 1991 Aftermarket Parts Inc.

# Rockwell Differential

REF	AFTERMARKET NO.	DESCRIPTION/COMMENT	QTY
(14)	4132531	Spacer - .166	A/R
	4132532	Spacer - .167	A/R
	4132533	Spacer - .168	A/R
	4132534	Spacer - .169	A/R
	4132535	Spacer - .170	A/R
	4132536	Spacer - .176	A/R
	4132537	Spacer - .182	A/R
	4132538	Spacer - .188	A/R
	4132539	Spacer - .194	A/R
	4132540	Spacer - .200	A/R
15	1200137	Bearing Cup - Inner	1
16	1220137	Bearing Cone - Inner	1
17	2602504	Drive Gear/Pinion - 5:36 P35981, RG35536	1
	2602516	Drive Gear/Pinion - 5:34 P35983, RG35538	1
	2602506	Drive Gear/Pinion - 5:39 P36009, RG35636	1
18	2602524	Drive Gear/Pinion - 7:37 P35987, RG35710	1
	1260104	Rear Bearing	1
	3682500	Lock Ring	1
	1542500	Case Ass'y - Differential	1
		Case - Flanged Half	N/A
21	1/2-13UNCX3	Case - Plain Half	N/A
	4442500	Capscrew	8
	2872501	Washer	8
	4442500	Bolt Kit	1
25	3083150	Washer	12
	3162501	No Spin	1
26	3162501	Adjusting Nut - Left Hand	1
	3162501	Adjusting Nut - Right Hand	1
27	1200113	Bearing Cup - Right Hand	1
28	1220113	Bearing Cone - Right Hand	1
29	1200113	Bearing Cup - Left Hand	1
30	1220113	Bearing Cone - Left Hand	1
	1542505	Carrier and Cap Ass'y	1
31		Carrier	N/A
32		Cap	N/A

Manufacturers' names, part numbers and model numbers are for reference purposes only. We do not suggest or imply that any item is that of the original manufacturer. (c) 1991 Aftermarket Parts Inc.

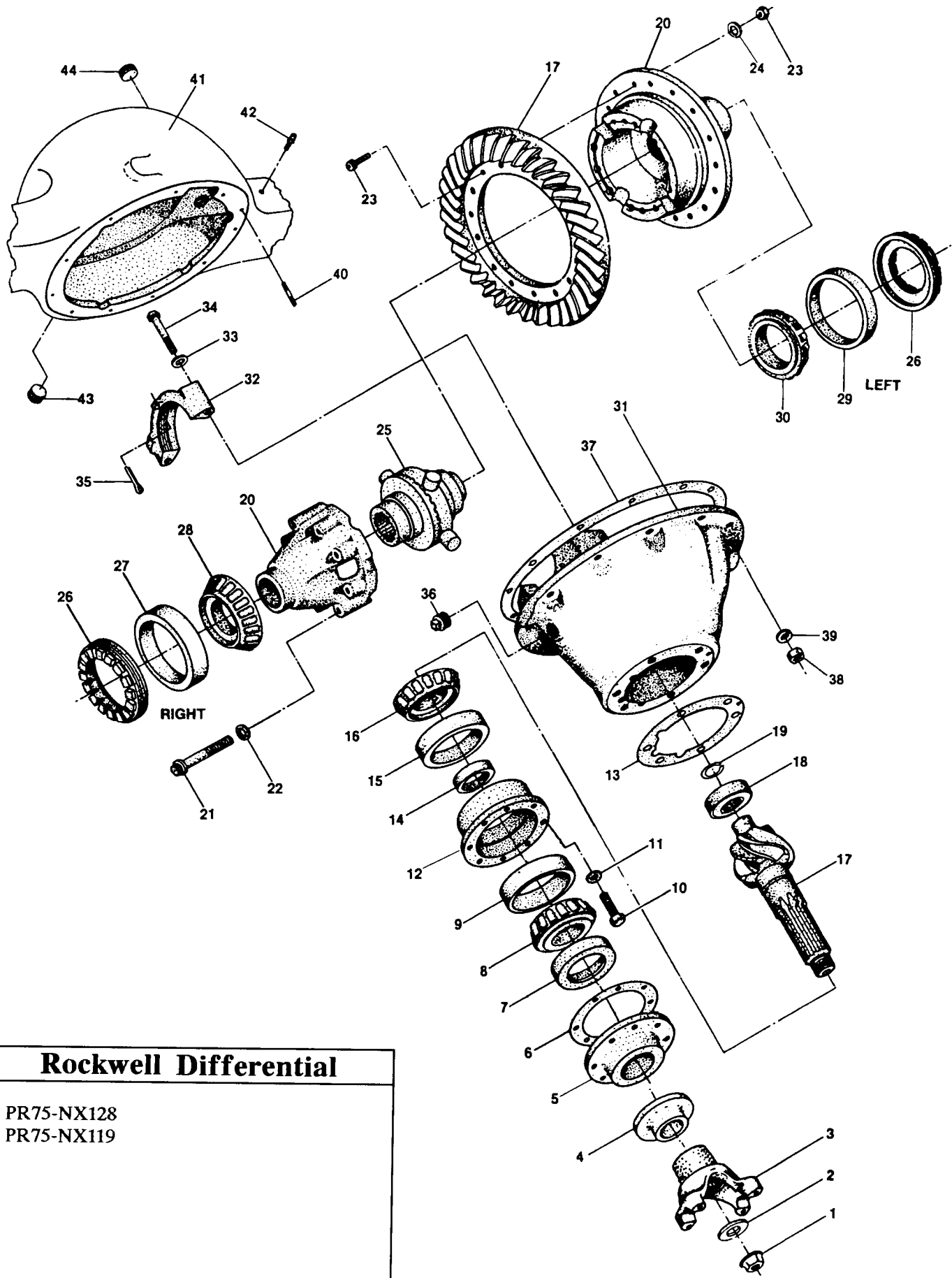
# Rockwell Differential

REF	AFTERMARKET NO.	DESCRIPTION/COMMENT	QTY
33	5/8	Washer	4
34	5/8-11UNCX3 1/2	Capscrew	4
35	3372500	Cotter Pin	2
36	3512500	Plug - Oil Filler	1
37	2292504	Gasket	1
38	3112901	Nut	10
39	4442503	Washer	10
40	4282500	Stud - Short	A/R
	4282502	Stud - Medium	A/R
	4282501	Stud - Long	A/R
41		Housing and Stud Carrier	N/A
42	1422900	Breather	1
43	3502500	Plug - Oil Drain	1
44	3512500	Plug - Oil Filler	1
	2902501	Update Kit - 10 Bolt Housing Only	1

Manufacturers' names, part numbers and model numbers are for reference purposes only. We do not suggest or imply that any item is that of the original manufacturer. (c) 1991 Aftermarket Parts Inc.









# Rockwell Differential

**Model Numbers:**

PR75-NX128

PR75-NX119

REF	AFTERMARKET NO.	DESCRIPTION/COMMENT	QTY
	1542512	Carrier Ass'y, Differential	1
1	3142500	Nut	1
2	4442501	Washer	1
3	4482704	Yoke	1
	4482501	Yoke, Franklin	1
4	4121802	Slinger	1
	4122503	Slinger	1
5	1742504	Cover and Seal	1
6	2292502	Gasket	1
7	3922113	Seal	1
8	1220137	Bearing Cone - Outer	1
9	1200137	Bearing Cup - Outer	1
10	7/16-14UNCX1 1/2	Capscrew	8
11	7/16	Washer	8
12	1502503	Cage and Cup	1
13	4062502	Shim - .003	A/R
	4062503	Shim - .005	A/R
	4062504	Shim - .010	A/R
14	4132519	Spacer - .125	A/R
	4132520	Spacer - .126	A/R
	4132521	Spacer - .127	A/R
	4132522	Spacer - .128	A/R
	4132523	Spacer - .129	A/R
	4132524	Spacer - .130	A/R
	4132525	Spacer - .136	A/R
	4132526	Spacer - .142	A/R
	4132527	Spacer - .148	A/R
	4132528	Spacer - .154	A/R
	4132529	Spacer - .158	A/R
	4132530	Spacer - .165	A/R

Manufacturers' names, part numbers and model numbers are for reference purposes only. We do not suggest or imply that any item is that of the original manufacturer. (c) 1991 Aftermarket Parts Inc.

# Rockwell Differential

REF	AFTERMARKET NO.	DESCRIPTION/COMMENT	QTY
(14)	4132531	Spacer - .166	A/R
	4132532	Spacer - .167	A/R
	4132533	Spacer - .168	A/R
	4132534	Spacer - .169	A/R
	4132535	Spacer - .170	A/R
	4132536	Spacer - .176	A/R
	4132537	Spacer - .182	A/R
	4132538	Spacer - .188	A/R
	4132539	Spacer - .194	A/R
	4132540	Spacer - .200	A/R
15	1200137	Bearing Cup - Inner	1
16	1220137	Bearing Cone - Inner	1
17	2602504	Drive Gear/Pinion - 5:36 P35981, RG35536	1
	2602516	Drive Gear/Pinion - 5:34 P35983, RG35538	1
	2602506	Drive Gear/Pinion - 5:39 P36009, RG35636	1
18	2602524	Drive Gear/Pinion - 7:37 P35987, RG35710	1
	1260104	Rear Bearing	1
	3682500	Lock Ring	1
	1542500	Case Ass'y - Differential	1
		Case - Flanged Half	N/A
21	1/2-13UNCX3	Case - Plain Half	N/A
22	4442500	Capscrew	8
23	2872501	Washer	8
24	4442500	Bolt Kit	1
25	3083150	Washer	12
26	3162500	No Spin	1
	3162500	Adjusting Nut - Left Hand	1
	3162500	Adjusting Nut - Right Hand	1
27	1200112	Bearing Cup - Right Hand	1
28	1220113	Bearing Cone - Right Hand	1
29	1200112	Bearing Cup - Left Hand	1
30	1220113	Bearing Cone - Left Hand	1
	1542505	Carrier and Cap Ass'y	1
31		Carrier	N/A
32		Cap	N/A

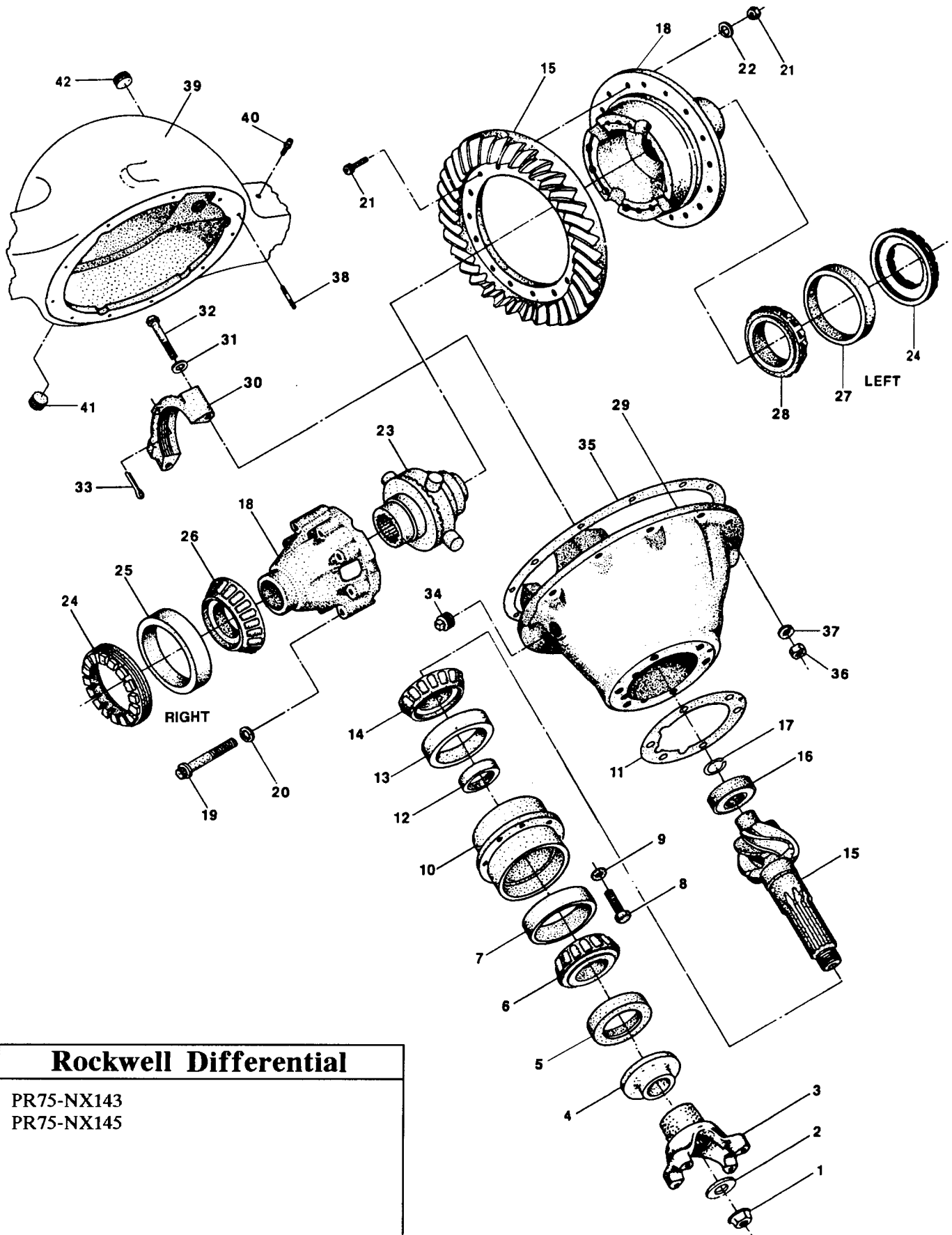
Manufacturers' names, part numbers and model numbers are for reference purposes only. We do not suggest or imply that any item is that of the original manufacturer. (c) 1991 Aftermarket Parts Inc.

# Rockwell Differential

REF	AFTERMARKET NO.	DESCRIPTION/COMMENT	QTY
33	5/8	Washer - Hardened	4
34	5/8-11UNCX3 1/2	Capscrew	4
35	3372500	Cotter Pin	2
36	3512500	Plug - Oil Filler	1
37	2292504	Gasket	1
38	3112901	Nut	10
39	4442503	Washer	10
40	4282500	Stud - Short	A/R
	4282502	Stud - Medium	A/R
	4282501	Stud - Long	A/R
41		Housing and Stud Carrier	N/A
42	1422900	Breather	1
43	3502500	Plug - Oil Drain	1
44	3512500	Plug - Oil Filler	1

Manufacturers' names, part numbers and model numbers are for reference purposes only. We do not suggest or imply that any item is that of the original manufacturer. (c) 1991 Aftermarket Parts Inc.





## Rockwell Differential

PR75-NX143  
PR75-NX145





# Rockwell Differential

**Model Numbers:**

PR75-NX143

PR75-NX145

REF	AFTERMARKET NO.	DESCRIPTION/COMMENT	QTY
1	1542515	Carrier Ass'y, Differential	1
	3142500	Nut	1
	4442501	Washer	1
	4482704	Yoke	1
	4482501	Yoke, Franklin	1
4	4122902	Slinger	1
	4122503	Slinger	1
5	3922118	Seal	1
6	1220134	Bearing Cone - Outer	1
7	1200133	Bearing Cup - Outer	1
8	7/16-14UNCX1 1/2	Capscrew	8
9	7/16	Washer	8
10	1502506	Cage and Cup	1
11	4062502	Shim - .003	A/R
	4062503	Shim - .005	A/R
12	4062504	Shim - .010	A/R
	4132519	Spacer - .125	A/R
	4132520	Spacer - .126	A/R
	4132521	Spacer - .127	A/R
	4132522	Spacer - .128	A/R
	4132523	Spacer - .129	A/R
	4132524	Spacer - .130	A/R
	4132525	Spacer - .136	A/R
	4132526	Spacer - .142	A/R
	4132527	Spacer - .148	A/R
	4132528	Spacer - .154	A/R
	4132529	Spacer - .158	A/R
	4132530	Spacer - .165	A/R
	4132531	Spacer - .166	A/R
	4132532	Spacer - .167	A/R

Manufacturers' names, part numbers and model numbers are for reference purposes only. We do not suggest or imply that any item is that of the original manufacturer. (c) 1991 Aftermarket Parts Inc.

## Rockwell Differential

REF	AFTERMARKET NO.	DESCRIPTION/COMMENT	QTY
(12)	4132533	Spacer - .168	A/R
	4132534	Spacer - .169	A/R
	4132535	Spacer - .170	A/R
	4132536	Spacer - .176	A/R
	4132537	Spacer - .182	A/R
	4132538	Spacer - .188	A/R
	4132539	Spacer - .194	A/R
	4132540	Spacer - .200	A/R
13	1200133	Bearing Cup - Inner	1
14	1220134	Bearing Cone - Inner	1
15	2602504	Drive Gear/Pinion - 5:36 P35981, RG35536	1
	2602516	Drive Gear/Pinion - 5:34 P35983, RG35538	1
	2602506	Drive Gear/Pinion - 5:39 P36009, RG35636	1
	2602524	Drive Gear/Pinion - 7:37 P35987, RG35710	1
16	1260104	Rear Bearing	1
17	3682500	Lock Ring	1
18	1542500	Case Ass'y - Differential	1
		Case - Flanged Half	N/A
		Case - Plain Half	8
19	1/2-13UNCX3	Capscrew	8
20	4442500	Washer	1
21	2872501	Bolt Kit	12
22	4442500	Washer	1
23	3083150	No Spin	1
24	3162500	Adjusting Nut - Left Hand	1
	3262500	Adjusting Nut - Right Hand	1
25	1200112	Bearing Cup - Right Hand	1
26	1220113	Bearing Cone - Right Hand	1
27	1200112	Bearing Cup - Left Hand	1
28	1220113	Bearing Cone - Left Hand	1
29	1542505	Carrier and Cap Ass'y	1
		Carrier	N/A
30		Cap	N/A
31	5/8	Washer - Hardened	4
32	5/8-11UNCX3 1/2	Capscrew	4

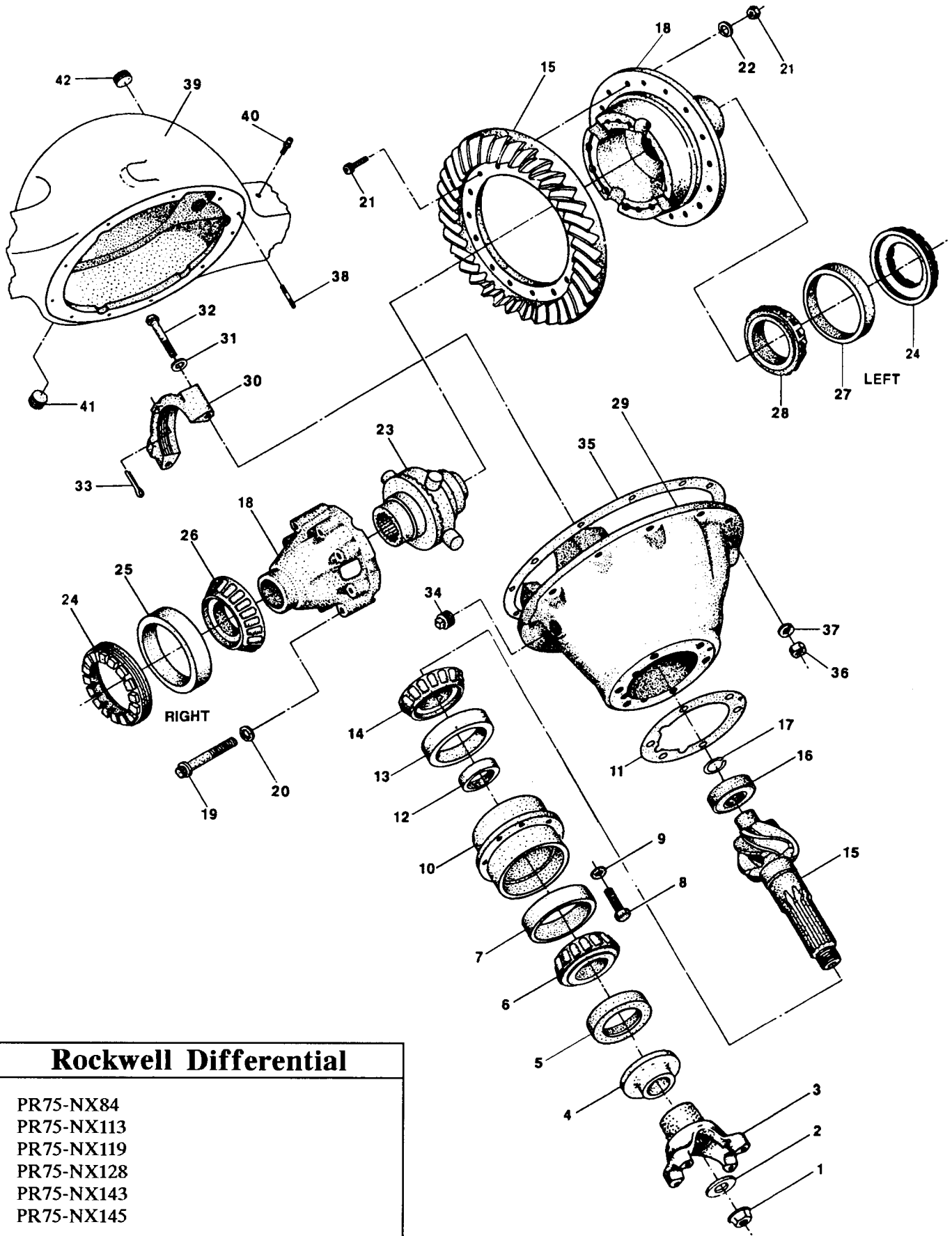
Manufacturers' names, part numbers and model numbers are for reference purposes only. We do not suggest or imply that any item is that of the original manufacturer. (c) 1991 Aftermarket Parts Inc.

# Rockwell Differential

REF	AFTERMARKET NO.	DESCRIPTION/COMMENT	QTY
33	3372500	Cotter Pin	2
34	3512500	Plug - Oil Filler	1
35	2292504	Gasket	1
36	3112901	Nut	10
37	4442503	Washer	10
38	4282500	Stud - Short	A/R
	4282502	Stud - Medium	A/R
	4282501	Stud - Long	A/R
39		Housing and Stud Carrier	N/A
40	1422900	Breather	1
41	3502500	Plug - Oil Drain	1
42	3512500	Plug - Oil Filler	1

Manufacturers' names, part numbers and model numbers are for reference purposes only. We do not suggest or imply that any item is that of the original manufacturer. (c) 1991 Aftermarket Parts Inc.





**Rockwell Differential**

PR75-NX84  
 PR75-NX113  
 PR75-NX119  
 PR75-NX128  
 PR75-NX143  
 PR75-NX145



# Rockwell Differential

**Model Numbers:**

PR75-NX84	PR75-NX128
PR75-NX113	PR75-NX143
PR75-NX119	PR75-NX145

REF	AFTERMARKET NO.	DESCRIPTION/COMMENT	QTY
1	1542515	Carrier Ass'y, Differential	1
	3142500	Nut	1
	4442501	Washer	1
	4482704	Yoke	1
	4482501	Yoke, Franklin	1
4	4122902	Slinger	1
	4122503	Slinger	1
5	3922118	Seal	1
6	1220134	Bearing Cone - Outer	1
7	1200133	Bearing Cup - Outer	1
8	7/16 - 14UNCX1 1/2	Capscrew	8
9	7/16	Washer	8
10	1502506	Cage and Cup	1
11	4062502	Shim - .003	A/R
	4062503	Shim - .005	A/R
12	4062504	Shim - .010	A/R
	4132519	Spacer - .125	A/R
	4132520	Spacer - .126	A/R
	4132521	Spacer - .127	A/R
	4132522	Spacer - .128	A/R
	4132523	Spacer - .129	A/R
	4132524	Spacer - .130	A/R
	4132525	Spacer - .136	A/R
	4132526	Spacer - .142	A/R
	4132527	Spacer - .148	A/R
	4132528	Spacer - .154	A/R
	4132529	Spacer - .158	A/R
	4132530	Spacer - .165	A/R
	4132531	Spacer - .166	A/R
	4132532	Spacer - .167	A/R

Manufacturers' names, part numbers and model numbers are for reference purposes only. We do not suggest or imply that any item is that of the original manufacturer. (c) 1991 Aftermarket Parts Inc.

## Rockwell Differential

REF	AFTERMARKET NO.	DESCRIPTION/COMMENT	QTY
(12)	4132533	Spacer - .168	A/R
	4132534	Spacer - .169	A/R
	4132535	Spacer - .170	A/R
	4132536	Spacer - .176	A/R
	4132537	Spacer - .182	A/R
	4132538	Spacer - .188	A/R
	4132539	Spacer - .194	A/R
	4132540	Spacer - .200	A/R
13	1200133	Bearing Cup - Inner	1
14	1220134	Bearing Cone - Inner	1
15	2602504	Drive Gear/Pinion - 5:36 P35981, RG35536	1
	2602516	Drive Gear/Pinion - 5:34 P35983, RG35538	1
	2602506	Drive Gear/Pinion - 5:39 P36009, RG35636	1
	2602524	Drive Gear/Pinion - 7:37 P35987, RG35710	1
16	1260104	Rear Bearing	1
17	3682500	Lock Ring	1
18	1542500	Case Ass'y - Differential	1
		Case - Flanged Half	N/A
		Case - Plain Half	N/A
19	1/2-13UNCX3	Capscrew	8
20	4442500	Washer	8
21	2872501	Bolt Kit	1
22	4442500	Washer	12
23	3083150	No Spin	1
24	3162500	Adjusting Nut - Left Hand	1
	3162500	Adjusting Nut - Right Hand	1
25	1200112	Bearing Cup - Right Hand	1
26	1220113	Bearing Cone - Right Hand	1
27	1200112	Bearing Cup - Left Hand	1
28	1220113	Bearing Cone - Left Hand	1
29	1542505	Carrier and Cap Ass'y	1
		Carrier	N/A
30		Cap	N/A
31	5/8	Washer	4
32	5/8-11UNCX3 1/2	Capscrew	4

Manufacturers' names, part numbers and model numbers are for reference purposes only. We do not suggest or imply that any item is that of the original manufacturer. (c) 1991 Aftermarket Parts Inc.

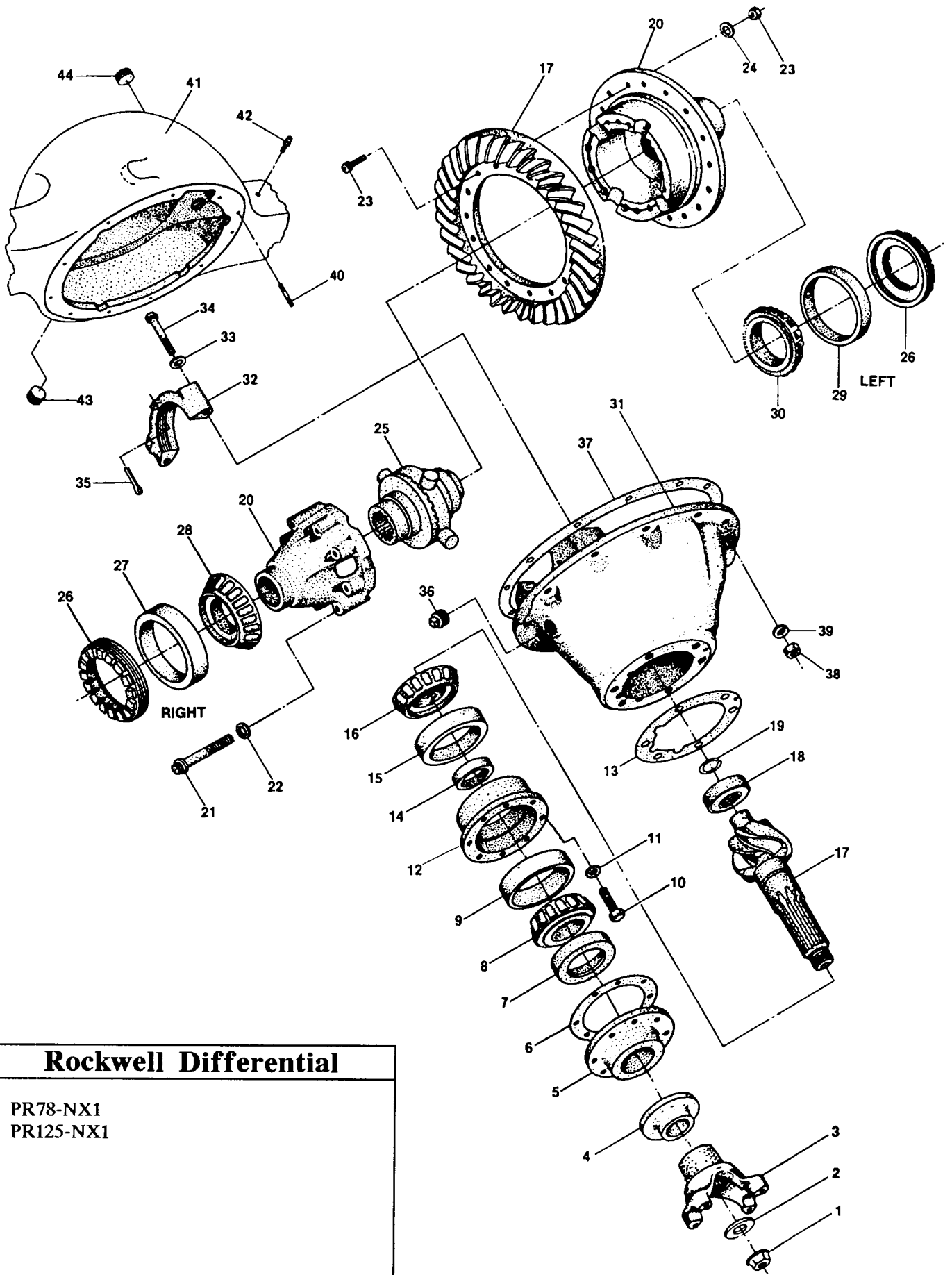


# Rockwell Differential

REF	AFTERMARKET NO.	DESCRIPTION/COMMENT	QTY
33	3372500	Cotter Pin	2
34	3512500	Plug - Oil Filler	1
35	2292504	Gasket	1
36	3112901	Nut	10
37	4442503	Washer	10
38	4282500	Stud - Short	A/R
	4282502	Stud - Medium	A/R
	4282501	Stud - Long	A/R
39		Housing and Stud Carrier	N/A
40	1422900	Breather	1
41	3502500	Plug - Oil Drain	1
42	3512500	Plug - Oil Filler	1

Manufacturers' names, part numbers and model numbers are for reference purposes only. We do not suggest or imply that any item is that of the original manufacturer. (c) 1991 Aftermarket Parts Inc.





## Rockwell Differential

PR78-NX1  
PR125-NX1



# Rockwell Differential

**Model Numbers:**

PR78-NX1

PR125-NX1

REF	AFTERMARKET NO.	DESCRIPTION/COMMENT	QTY
	1542510	Carrier Ass'y, Differential	1
1	3142500	Nut	1
2	4442501	Washer	1
3	4482704	Yoke	1
	4482501	Yoke, Franklin	1
4	4122902	Slinger	1
	4122503	Slinger	1
5	1742504	Cover and Seal	1
6	2292502	Gasket	1
7	3922113	Seal	1
8	1220137	Bearing Cone - Outer	1
9	1200137	Bearing Cup - Outer	1
10	7/16-14UNCX1 1/2	Capscrew	8
11	7/16	Washer	8
12	1502503	Cage and Cup	1
13	4062502	Shim - .003	A/R
	4062503	Shim - .005	A/R
	4062504	Shim - .010	A/R
14	4132519	Spacer - .125	A/R
	4132520	Spacer - .126	A/R
	4132521	Spacer - .127	A/R
	4132522	Spacer - .128	A/R
	4132523	Spacer - .129	A/R
	4132524	Spacer - .130	A/R
	4132525	Spacer - .136	A/R
	4132526	Spacer - .142	A/R
	4132527	Spacer - .148	A/R
	4132528	Spacer - .154	A/R
	4132529	Spacer - .158	A/R
	4132530	Spacer - .165	A/R

Manufacturers' names, part numbers and model numbers are for reference purposes only. We do not suggest or imply that any item is that of the original manufacturer. (c) 1991 Aftermarket Parts Inc.

## Rockwell Differential

REF	AFTERMARKET NO.	DESCRIPTION/COMMENT	QTY
(14)	4132531	Spacer - .166	A/R
	4132532	Spacer - .167	A/R
	4132533	Spacer - .168	A/R
	4132534	Spacer - .169	A/R
	4132535	Spacer - .170	A/R
	4132536	Spacer - .176	A/R
	4132537	Spacer - .182	A/R
	4132538	Spacer - .188	A/R
	4132539	Spacer - .194	A/R
	4132540	Spacer - .200	A/R
15	1200137	Bearing Cup - Inner	1
16	1220137	Bearing Cone - Inner	1
17	2602504	Drive Gear/Pinion - 5:36 P35981, RG35536	1
	2602516	Drive Gear/Pinion - 5:34 P35983, RG35538	1
	2602506	Drive Gear/Pinion - 5:39 P36009, RG35636	1
18	2602524	Drive Gear/Pinion - 7:37 P35987, RG35710	1
	1260104	Rear Bearing	1
	3682500	Lock Ring	1
	20	1542500	Case Ass'y - Differential
Case - Flanged Half			N/A
21	1/2-13UNCX3	Case - Plain Half	N/A
		Capscrew	8
		Washer	8
		Bolt Kit	1
		Washer	12
25	3083150	No Spin	1
26	3162501	Adjusting Nut - Left Hand	1
		Adjusting Nut - Right Hand	1
27	1200113	Bearing Cup - Right Hand	1
28	1220113	Bearing Cone - Right Hand	1
29	1200113	Bearing Cup - Left Hand	1
30	1220113	Bearing Cone - Left Hand	1
		Carrier and Cap Ass'y	1
31	1542504	Carrier	N/A
32		Cap	N/A

Manufacturers' names, part numbers and model numbers are for reference purposes only. We do not suggest or imply that any item is that of the original manufacturer. (c) 1991 Aftermarket Parts Inc.

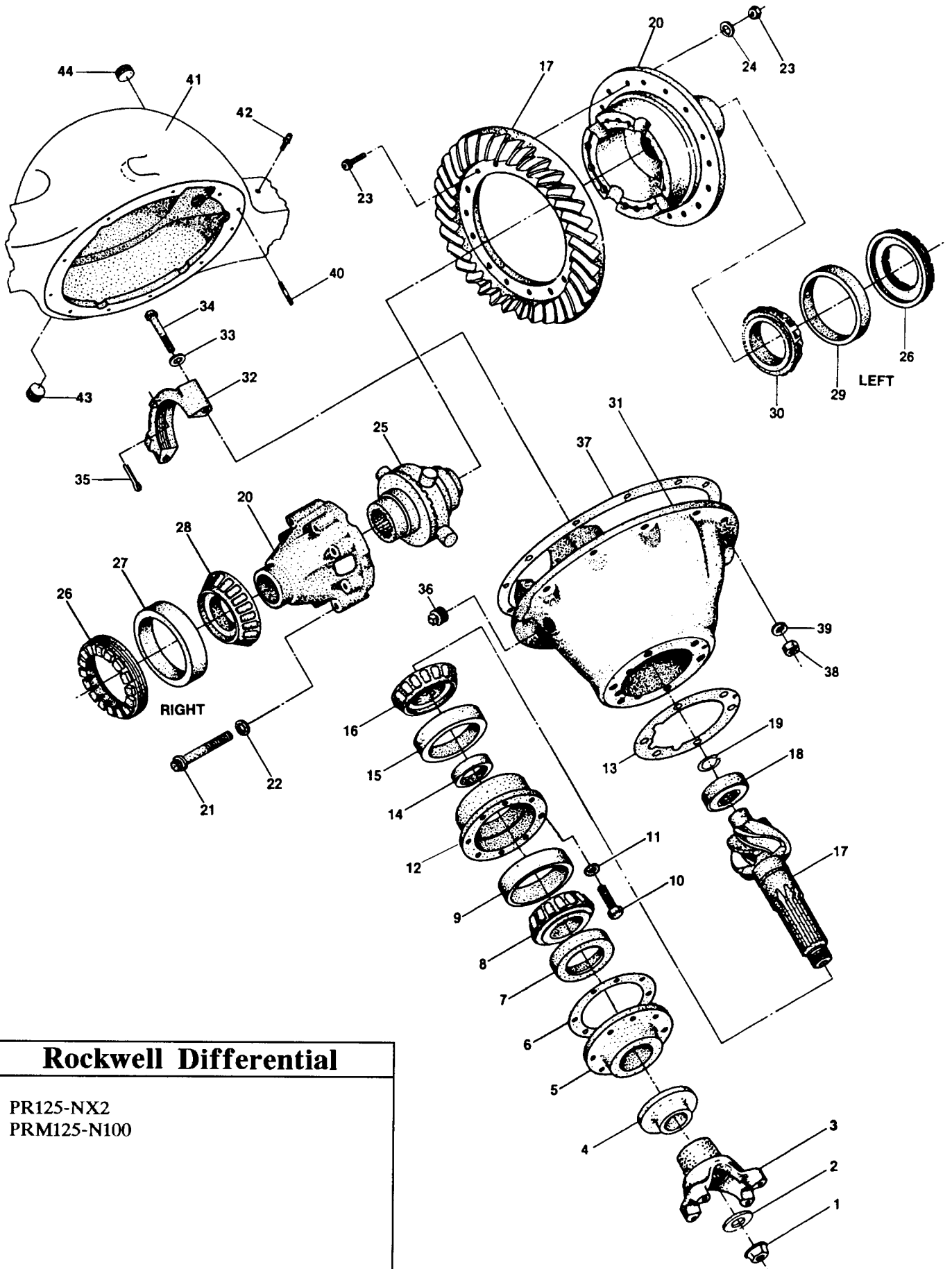
# Rockwell Differential

REF	AFTERMARKET NO.	DESCRIPTION/COMMENT	QTY
33	5/8	Washer - Hardened	4
34	5/8-11UNCX3 1/2	Capscrew	4
35	3372500	Cotter Pin	2
36	3512500	Plug - Oil Filler	1
37	2292504	Gasket	1
38	3112901	Nut	10
39	4442503	Washer	10
40	4282500	Stud - Short	A/R
	4282502	Stud - Medium	A/R
	4282501	Stud - Long	A/R
41		Housing and Stud Carrier	N/A
42	1422900	Breather	1
43	3502500	Plug - Oil Drain	1
44	3512500	Plug - Oil Filler	1

Manufacturers' names, part numbers and model numbers are for reference purposes only. We do not suggest or imply that any item is that of the original manufacturer. (c) 1991 Aftermarket Parts Inc.







## Rockwell Differential

PR125-NX2  
PRM125-N100



# Rockwell Differential

**Model Numbers:**

PR125-NX2

PRM125-N100

REF	AFTERMARKET NO.	DESCRIPTION/COMMENT	QTY
	1542510	Carrier Ass'y, Differential	1
1	3142500	Nut	1
2	4442501	Washer	1
3	4482704	Yoke	1
	4482501	Yoke, Franklin	1
4	4122902	Slinger	1
	4122503	Slinger	1
5	1742504	Cover and Seal	1
6	2292502	Gasket	1
7	3922113	Seal	1
8	1220137	Bearing Cone - Outer	1
9	1200138	Bearing Cup - Outer	1
10	7/16-14UNCX1 1/2	Capscrew	8
11	7/16	Washer	8
12	1502503	Cage and Cup	1
13	4062502	Shim - .003	A/R
	4062503	Shim - .005	A/R
	4062504	Shim - .010	A/R
14	4132519	Spacer - .125	A/R
	4132520	Spacer - .126	A/R
	4132521	Spacer - .127	A/R
	4132522	Spacer - .128	A/R
	4132523	Spacer - .129	A/R
	4132524	Spacer - .130	A/R
	4132525	Spacer - .136	A/R
	4132526	Spacer - .142	A/R
	4132527	Spacer - .148	A/R
	4132528	Spacer - .154	A/R
	4132529	Spacer - .158	A/R
	4132530	Spacer - .165	A/R

Manufacturers' names, part numbers and model numbers are for reference purposes only. We do not suggest or imply that any item is that of the original manufacturer. (c) 1991 Aftermarket Parts Inc.

# Rockwell Differential

REF	AFTERMARKET NO.	DESCRIPTION/COMMENT	QTY
(14)	4132531	Spacer - .166	A/R
	4132532	Spacer - .167	A/R
	4132533	Spacer - .168	A/R
	4132534	Spacer - .169	A/R
	4132535	Spacer - .170	A/R
	4132536	Spacer - .176	A/R
	4132537	Spacer - .182	A/R
	4132538	Spacer - .188	A/R
	4132539	Spacer - .194	A/R
	4132540	Spacer - .200	A/R
15	1200137	Bearing Cup - Inner	1
16	1220137	Bearing Cone - Inner	1
17	2602504	Drive Gear/Pinion - 5:36 P35981, RG35536	1
	2602516	Drive Gear/Pinion - 5:34 P35983, RG35538	1
	2602506	Drive Gear/Pinion - 5:39 P36009, RG35636	1
18	2602524	Drive Gear/Pinion - 7:37 P35987, RG35710	1
	1260104	Rear Bearing	1
	3682500	Lock Ring	1
	1542500	Case Ass'y - Differential	1
		Case - Flanged Half	N/A
21	1/2-13UNCX3	Case - Plain Half	N/A
		Capscrew	8
22	4442500	Washer	8
23	2872501	Bolt Kit	1
24	4442500	Washer	12
25	3083150	No Spin	1
26	3162500	Adjusting Nut - Left Hand	1
	3162500	Adjusting Nut - Right Hand	1
27	1200112	Bearing Cup - Right Hand	1
28	1220113	Bearing Cone - Right Hand	1
29	1200112	Bearing Cup - Left Hand	1
30	1220113	Bearing Cone - Left Hand	1
	1542504	Carrier and Cap Ass'y	1
31		Carrier	N/A
32		Cap	N/A

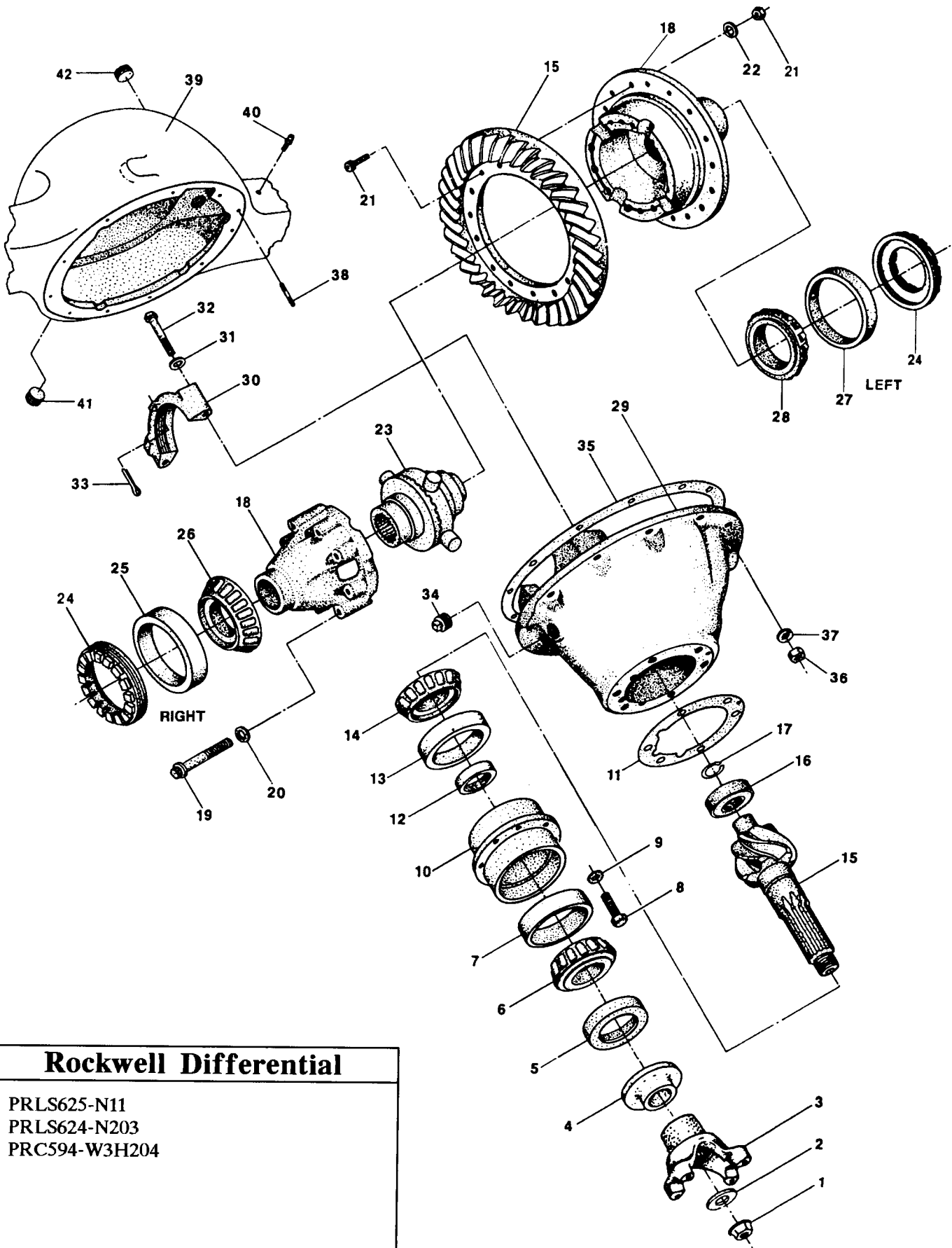
Manufacturers' names, part numbers and model numbers are for reference purposes only. We do not suggest or imply that any item is that of the original manufacturer. (c) 1991 Aftermarket Parts Inc.

# Rockwell Differential

REF	AFTERMARKET NO.	DESCRIPTION/COMMENT	QTY
33	5/8	Washer - Hardened	4
34	5/8-11UNCX3 1/2	Capscrew	4
35	3372500	Cotter Pin	2
36	3512500	Plug - Oil Filler	1
37	2292504	Gasket	1
38	3112901	Nut	10
39	4442503	Washer	10
40	4282500	Stud - Short	A/R
	4282502	Stud - Medium	A/R
	4282501	Stud - Long	A/R
41		Housing and Stud Carrier	N/A
42	1422900	Breather	1
43	3502500	Plug - Oil Drain	1
44	3512500	Plug - Oil Filler	1

Manufacturers' names, part numbers and model numbers are for reference purposes only. We do not suggest or imply that any item is that of the original manufacturer. (c) 1991 Aftermarket Parts Inc.





## Rockwell Differential

PRLS625-N11  
 PRLS624-N203  
 PRC594-W3H204





# Rockwell Differential

**Model Numbers:**

PRLS625-N11

PRC594-W3H204

PRLS624-N203

REF	AFTERMARKET NO.	DESCRIPTION/COMMENT	QTY	
1	1542510	Carrier Ass'y, Differential	1	
	3142500	Nut	1	
	2	4442501	Washer	1
	3	4482704	Yoke	1
		4482501	Yoke, Franklin	1
4	4122902	Slinger	1	
	4122503	Slinger	1	
5	3922118	Seal	1	
6	1220134	Bearing Cone - Outer	1	
7	1200133	Bearing Cup - Outer	1	
8	7/16-14UNCX1 1/2	Capscrew	8	
9	7/16	Washer	8	
10	1502506	Cage and Cup	1	
11	4062502	Shim - .003	A/R	
	4062503	Shim - .005	A/R	
12	4062504	Shim - .010	A/R	
	4132519	Spacer - .125	A/R	
	4132520	Spacer - .126	A/R	
	4132521	Spacer - .127	A/R	
	4132522	Spacer - .128	A/R	
	4132523	Spacer - .129	A/R	
	4132524	Spacer - .130	A/R	
	4132525	Spacer - .136	A/R	
	4132526	Spacer - .142	A/R	
	4132527	Spacer - .148	A/R	
	4132528	Spacer - .154	A/R	
	4132529	Spacer - .158	A/R	
	4132530	Spacer - .165	A/R	
	4132531	Spacer - .166	A/R	
	4132532	Spacer - .167	A/R	

Manufacturers' names, part numbers and model numbers are for reference purposes only. We do not suggest or imply that any item is that of the original manufacturer. (c) 1991 Aftermarket Parts Inc.

# Rockwell Differential

REF	AFTERMARKET NO.	DESCRIPTION/COMMENT	QTY
(12)	4132533	Spacer - .168	A/R
	4132534	Spacer - .169	A/R
	4132535	Spacer - .170	A/R
	4132536	Spacer - .176	A/R
	4132537	Spacer - .182	A/R
	4132538	Spacer - .188	A/R
	4132539	Spacer - .194	A/R
	4132540	Spacer - .200	A/R
13	1200133	Bearing Cup - Inner	1
14	1220134	Bearing Cone - Inner	1
15	2602504	Drive Gear/Pinion - 5:36 P35981, RG35536	1
	2602516	Drive Gear/Pinion - 5:34 P35983, RG35538	1
	2602506	Drive Gear/Pinion - 5:39 P36009, RG35636	1
	2602524	Drive Gear/Pinion - 7:37 P35987, RG35710	1
16	1260104	Rear Bearing	1
17	3682500	Lock Ring	1
18	1542500	Case Ass'y - Differential	1
		Case - Flanged Half	N/A
		Case - Plain Half	N/A
19	1/2-13UNCX3	Capscrew	8
20	4442500	Washer	8
21	2872501	Bolt Kit	1
22	4442500	Washer	12
23	3083150	No Spin	1
24	3162500	Adjusting Nut - Left Hand	1
	3162500	Adjusting Nut - Right Hand	1
25	1200112	Bearing Cup - Right Hand	1
26	1220113	Bearing Cone - Right Hand	1
27	1200112	Bearing Cup - Left Hand	1
28	1220113	Bearing Cone - Left Hand	1
29	1542504	Carrier and Cap Ass'y	1
30		Carrier	N/A
31	5/8	Cap	N/A
32	5/8	Washer	4
	5/8-11UNCX3 1/2	Capscrew	4

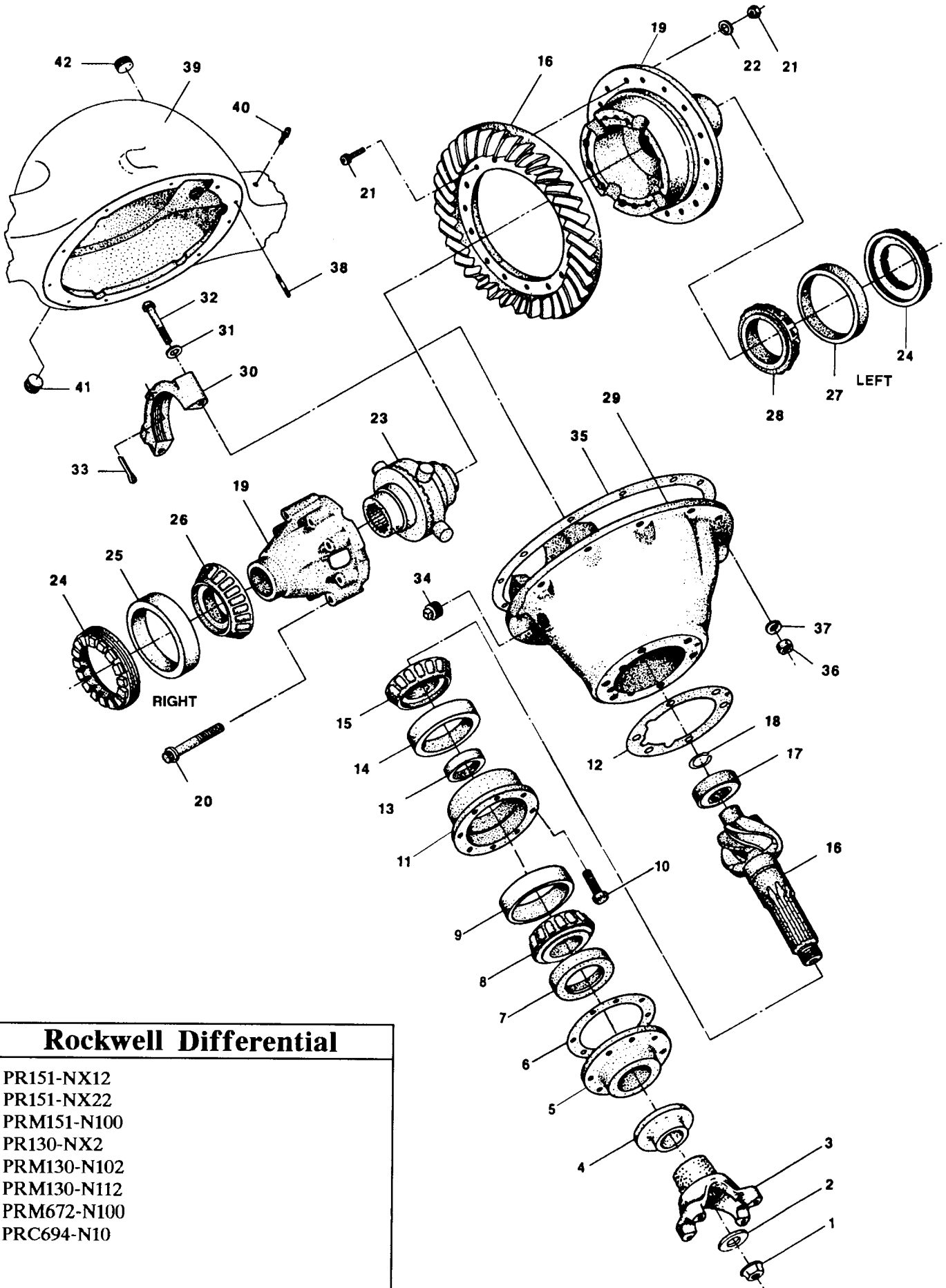
Manufacturers' names, part numbers and model numbers are for reference purposes only. We do not suggest or imply that any item is that of the original manufacturer. (c) 1991 Aftermarket Parts Inc.

# Rockwell Differential

REF	AFTERMARKET NO.	DESCRIPTION/COMMENT	QTY
33	3372500	Cotter Pin	2
34	3512500	Plug - Oil Filler	1
35	2292504	Gasket	1
36	3112901	Nut	10
37	4442503	Washer	10
38	4282500	Stud - Short	A/R
	4282502	Stud - Medium	A/R
	4282501	Stud - Long	A/R
39		Housing and Stud Carrier	N/A
40	1422900	Breather	1
41	3502500	Plug - Oil Drain	1
42	3512500	Plug - Oil Filler	1

Manufacturers' names, part numbers and model numbers are for reference purposes only. We do not suggest or imply that any item is that of the original manufacturer. (c) 1991 Aftermarket Parts Inc.





### Rockwell Differential

PR151-NX12  
 PR151-NX22  
 PRM151-N100  
 PR130-NX2  
 PRM130-N102  
 PRM130-N112  
 PRM672-N100  
 PRC694-N10



# Rockwell Differential

**Model Numbers:**

PR151-NX12	PRM130-N102
PR151-NX22	PRM130-N112
PRM151-N100	PRM672-N100
PR130-NX2	PRC694-N10

REF	AFTERMARKET NO.	DESCRIPTION/COMMENT	QTY
	1542511	Carrier Ass'y, Differential	1
1	3142500	Nut	1
2	4442501	Washer	1
3	4482708	Yoke	1
	4482503	Yoke, Franklin	1
4	4122702	Slinger	1
	4122504	Slinger	1
5	1742505	Cover and Seal	1
6	2292500	Gasket	1
7	3922109	Seal	1
8	1220125	Bearing Cone - Outer	1
9	1200127	Bearing Cup - Outer	1
10	7/16-14UNCX1 3/4	Capscrew	8
11	1502502	Cage and Cup	1
12	4062505	Shim - .003	A/R
	4062507	Shim - .005	A/R
	4062506	Shim - .010	A/R
13	4132559	Spacer - .219	A/R
	4132560	Spacer - .220	A/R
	4132561	Spacer - .221	A/R
	4132562	Spacer - .222	A/R
	4132563	Spacer - .223	A/R
	4132564	Spacer - .224	A/R
	4132565	Spacer - .230	A/R
	4132566	Spacer - .236	A/R
	4132544	Spacer - .237	A/R
	4132545	Spacer - .238	A/R
	4132546	Spacer - .239	A/R
	4132547	Spacer - .240	A/R
	4132548	Spacer - .242	A/R

*Manufacturers' names, part numbers and model numbers are for reference purposes only. We do not suggest or imply that any item is that of the original manufacturer. (c) 1991 Aftermarket Parts Inc.*

# Rockwell Differential

REF	AFTERMARKET NO.	DESCRIPTION/COMMENT	QTY
(13)	4132549	Spacer - .244	A/R
	4132550	Spacer - .246	A/R
	4132551	Spacer - .247	A/R
	4132568	Spacer - .248	A/R
	4132552	Spacer - .254	A/R
	4132553	Spacer - .261	A/R
	4132554	Spacer - .268	A/R
	4132555	Spacer - .275	A/R
	4132556	Spacer - .282	A/R
	4132557	Spacer - .289	A/R
	4132558	Spacer - .296	A/R
	4132569	Spacer - .443	A/R
	4132570	Spacer - .444	A/R
	4132571	Spacer - .445	A/R
	4132572	Spacer - .446	A/R
	4132573	Spacer - .447	A/R
	4132574	Spacer - .448	A/R
	4132575	Spacer - .449	A/R
	4132576	Spacer - .450	A/R
	4132577	Spacer - .451	A/R
	4132578	Spacer - .452	A/R
	4132579	Spacer - .453	A/R
	4132580	Spacer - .454	A/R
	4132581	Spacer - .455	A/R
	4132582	Spacer - .456	A/R
	4132583	Spacer - .457	A/R
	4132584	Spacer - .458	A/R
	4132585	Spacer - .459	A/R
	4132586	Spacer - .460	A/R
	4132587	Spacer - .461	A/R
	4132588	Spacer - .462	A/R
	4132589	Spacer - .463	A/R
	4132590	Spacer - .464	A/R
	4132591	Spacer - .465	A/R
	4132592	Spacer - .466	A/R

Manufacturers' names, part numbers and model numbers are for reference purposes only. We do not suggest or imply that any item is that of the original manufacturer. (c) 1991 Aftermarket Parts Inc.



## Rockwell Differential

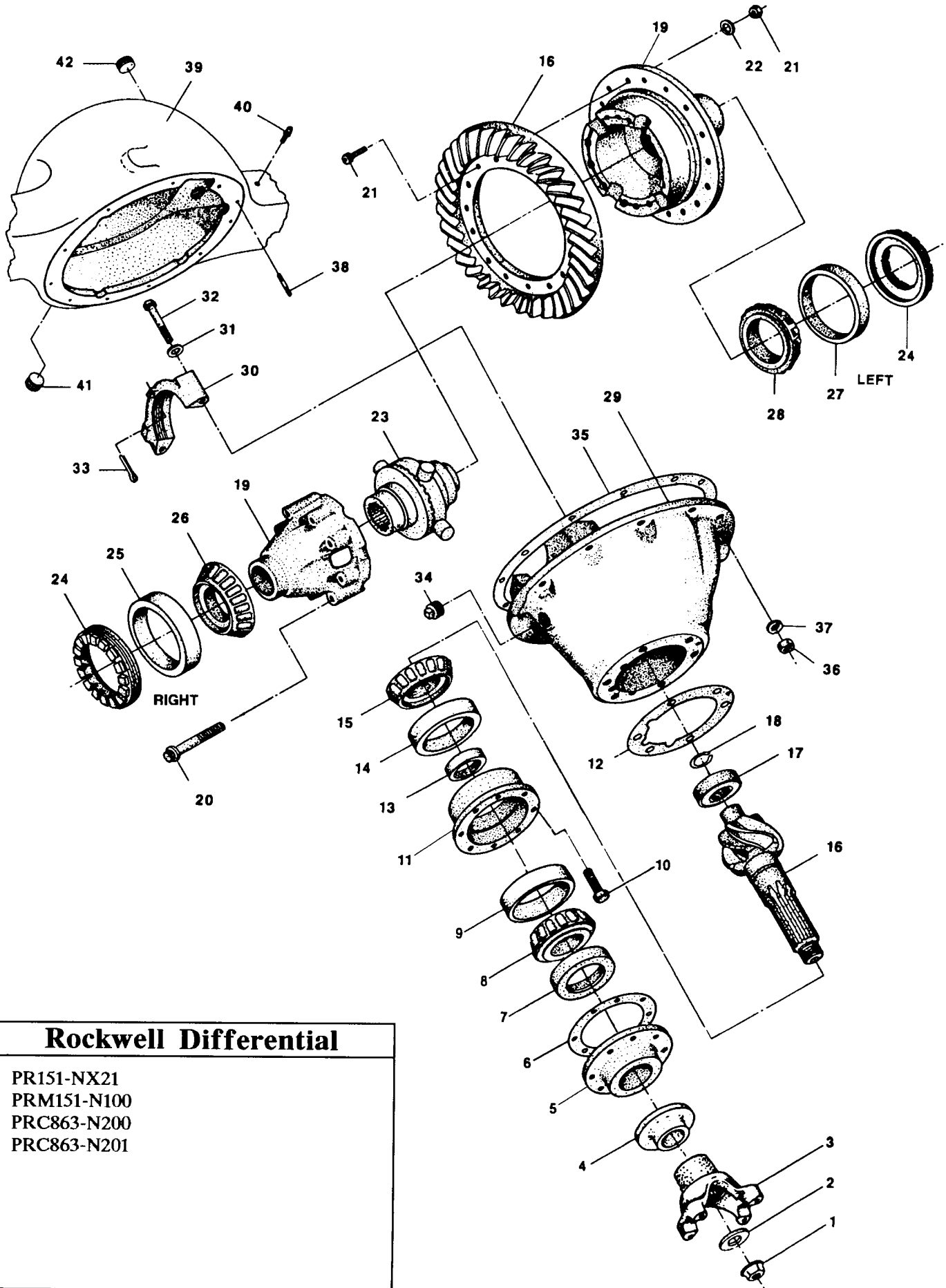
REF	AFTERMARKET NO.	DESCRIPTION/COMMENT	QTY
(13)	4132593	Spacer - .467	A/R
	4132594	Spacer - .468	A/R
	4132595	Spacer - .469	A/R
14	1200127	Bearing Cup - Inner	1
15	1220126	Bearing Cone - Inner	1
16	2602541	Drive Gear/Pinion - 5:36 P36883, RG35588	1
	2602511	Drive Gear/Pinion - 5:39 P36879, RG35856	1
	2602526	Drive Gear/Pinion - 5:41 P36875, RG35966	1
17	1260106	Rear Bearing	1
18	3682501	Lock Ring	1
19	1542522	Case Ass'y - Differential	1
		Case - Flanged Half	N/A
		Case - Plain Half	N/A
20	1172507	Capscrew - Long	8
	1172508	Capscrew - Short	4
21	2872501	Bolt Kit	1
22	4442500	Washer, Flat	12
23	3093101	No Spin	1
24	3162502	Adjusting Nut - Left Hand	1
	3162502	Adjusting Nut - Right Hand	1
25	1200102	Bearing Cup - Right Hand	1
26	1220107	Bearing Cone - Right Hand	1
27	1200102	Bearing Cup - Left Hand	1
28	1220107	Bearing Cone - Left Hand	1
	1542511	Carrier and Cap Ass'y	1
29		Carrier	N/A
30		Cap	N/A
31	5/8	Washer	4
32	5/8-11UNCX4 1/2	Capscrew	4
33	3372500	Cotter Pin	2
34	3512500	Plug, Filler	1
35	2292501	Gasket	1
36	3112500	Nut	14
37	4442509	Washer	1
38	4282508	Stud - Short	A/R

Manufacturers' names, part numbers and model numbers are for reference purposes only. We do not suggest or imply that any item is that of the original manufacturer. (c) 1995 Aftermarket Parts Inc.

# Rockwell Differential

REF	AFTERMARKET NO.	DESCRIPTION/COMMENT	QTY
(38)	4282509	Stud - Long	A/R
39		Housing and Stud Carrier	N/A
40	1422900	Breather	1
41	3512500	Plug - Oil Drain	1
42	3512500	Plug - Oil Filler	1

Manufacturers' names, part numbers and model numbers are for reference purposes only. We do not suggest or imply that any item is that of the original manufacturer. (c) 1991 Aftermarket Parts Inc.



**Rockwell Differential**

PR151-NX21  
 PRM151-N100  
 PRC863-N200  
 PRC863-N201



# Rockwell Differential

**Model Numbers:**

PR151-NX21	PRC863-N200
PRM151-N100	PRC863-N201

REF	AFTERMARKET NO.	DESCRIPTION/COMMENT	QTY	
1	1542516	Carrier Ass'y, Differential	1	
	3142500	Nut	1	
	2	4442501	Washer	1
	3	4482708	Yoke	1
		4482503	Yoke, Franklin	1
4	4122702	Slinger	1	
	4122504	Slinger	1	
5	1742505	Cover and Seal	1	
6	2292500	Gasket	1	
7	3922109	Seal	1	
8	1220125	Bearing Cone - Outer	1	
9	1200127	Bearing Cup - Outer	1	
10	7/16-14UNCX1 3/4	Capscrew	8	
11	1502502	Cage and Cup	1	
12	4062505	Shim - .003	A/R	
13	4062507	Shim - .005	A/R	
	4062506	Shim - .010	A/R	
	4132559	Spacer - .219	A/R	
	4132560	Spacer - .220	A/R	
	4132561	Spacer - .221	A/R	
	4132562	Spacer - .222	A/R	
	4132563	Spacer - .223	A/R	
	4132564	Spacer - .224	A/R	
	4132565	Spacer - .230	A/R	
	4132566	Spacer - .236	A/R	
	4132544	Spacer - .237	A/R	
	4132545	Spacer - .238	A/R	
	4132546	Spacer - .239	A/R	
	4132547	Spacer - .240	A/R	
	4132548	Spacer - .242	A/R	

Manufacturers' names, part numbers and model numbers are for reference purposes only. We do not suggest or imply that any item is that of the original manufacturer. (c) 1991 Aftermarket Parts Inc.

# Rockwell Differential

REF	AFTERMARKET NO.	DESCRIPTION/COMMENT	QTY
(13)	4132549	Spacer - .244	A/R
	4132550	Spacer - .246	A/R
	4132551	Spacer - .247	A/R
	4132568	Spacer - .248	A/R
	4132552	Spacer - .254	A/R
	4132553	Spacer - .261	A/R
	4132554	Spacer - .268	A/R
	4132555	Spacer - .275	A/R
	4132556	Spacer - .282	A/R
	4132557	Spacer - .289	A/R
	4132558	Spacer - .296	A/R
	4132569	Spacer - .443	A/R
	4132570	Spacer - .444	A/R
	4132571	Spacer - .445	A/R
	4132572	Spacer - .446	A/R
	4132573	Spacer - .447	A/R
	4132574	Spacer - .448	A/R
	4132575	Spacer - .449	A/R
	4132576	Spacer - .450	A/R
	4132577	Spacer - .451	A/R
	4132578	Spacer - .452	A/R
	4132579	Spacer - .453	A/R
	4132580	Spacer - .454	A/R
	4132581	Spacer - .455	A/R
	4132582	Spacer - .456	A/R
	4132583	Spacer - .457	A/R
	4132584	Spacer - .458	A/R
	4132585	Spacer - .459	A/R
	4132586	Spacer - .460	A/R
	4132587	Spacer - .461	A/R
	4132588	Spacer - .462	A/R
	4132589	Spacer - .463	A/R
	4132590	Spacer - .464	A/R
	4132591	Spacer - .465	A/R
	4132592	Spacer - .466	A/R

Manufacturers' names, part numbers and model numbers are for reference purposes only. We do not suggest or imply that any item is that of the original manufacturer. (c) 1991 Aftermarket Parts Inc.

# Rockwell Differential

REF	AFTERMARKET NO.	DESCRIPTION/COMMENT	QTY
(13)	4132593	Spacer - .467	A/R
	4132594	Spacer - .468	A/R
	4132595	Spacer - .469	A/R
14	1200127	Bearing Cup - Inner	1
15	1220126	Bearing Cone - Inner	1
16	2602518	Drive Gear/Pinion - 5:34 P37091, RG37090	1
	2602514	Drive Gear/Pinion - 5:39 P37079, RG36948	1
	2602526	Drive Gear/Pinion - 5:41 P36875, RG35966	1
17	1260106	Rear Bearing	1
18	3682501	Lock Ring	1
19	1542522	Case Ass'y - Differential	1
		Case - Flanged Half	N/A
		Case - Plain Half	N/A
20	1172507	Capscrew - Long	8
	1172508	Capscrew - Short	4
21	2872501	Bolt Kit	1
22	4442500	Washer	12
23	3093101	No Spin	1
24	3162502	Adjusting Nut - Left Hand	1
	3162502	Adjusting Nut - Right Hand	1
25	1200102	Bearing Cup - Right Hand	1
26	1220107	Bearing Cone - Right Hand	1
27	1200102	Bearing Cup - Left Hand	1
28	1220107	Bearing Cone - Left Hand	1
	1542506	Carrier and Cap Ass'y	1
29		Carrier	N/A
30		Cap	N/A
31	5/8	Washer	4
32	5/8-11UNCX4 1/2	Capscrew	4
33	3372500	Cotter Pin	2
34	3512500	Plug - Oil Filler	1
35	2292501	Gasket	1
36	3112500	Nut	14
37	4442509	Washer	14
38	4282508	Stud - Short	A/R

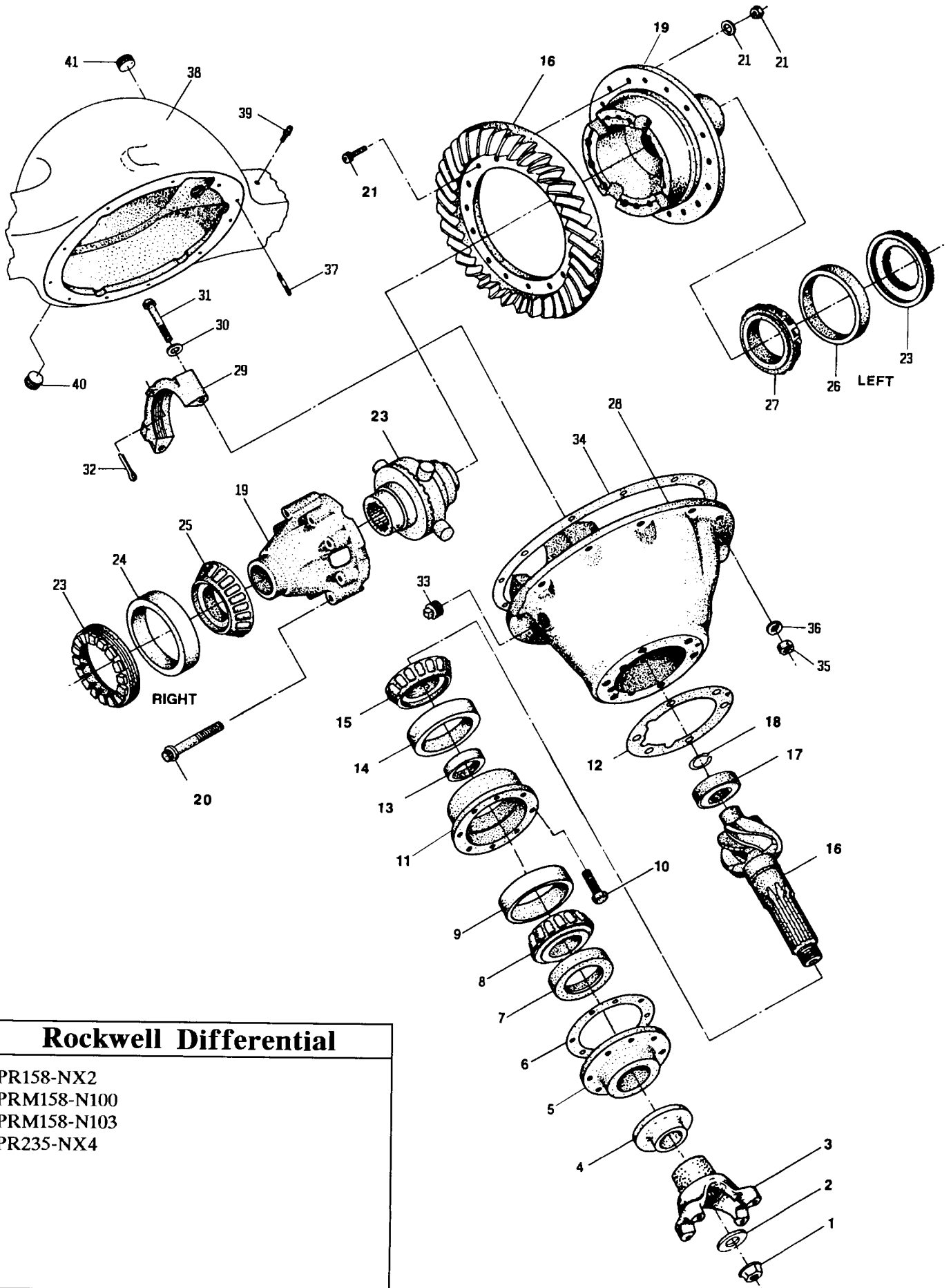
Manufacturers' names, part numbers and model numbers are for reference purposes only. We do not suggest or imply that any item is that of the original manufacturer. (c) 1991 Aftermarket Parts Inc.

# Rockwell Differential

REF	AFTERMARKET NO.	DESCRIPTION/COMMENT	QTY
(38)	4282509	Stud - Long	A/R
39		Housing and Stud Carrier	N/A
40	1422900	Breather	1
41	3512500	Plug - Oil Drain	1
42	3512500	Plug - Oil Filler	1

Manufacturers' names, part numbers and model numbers are for reference purposes only. We do not suggest or imply that any item is that of the original manufacturer. (c) 1991 Aftermarket Parts Inc.





## Rockwell Differential

PR158-NX2  
 PRM158-N100  
 PRM158-N103  
 PR235-NX4



# Rockwell Differential

**Model Numbers:**

PR158-NX2	PRM158-N103
PRM258-N100	PR235-NX4

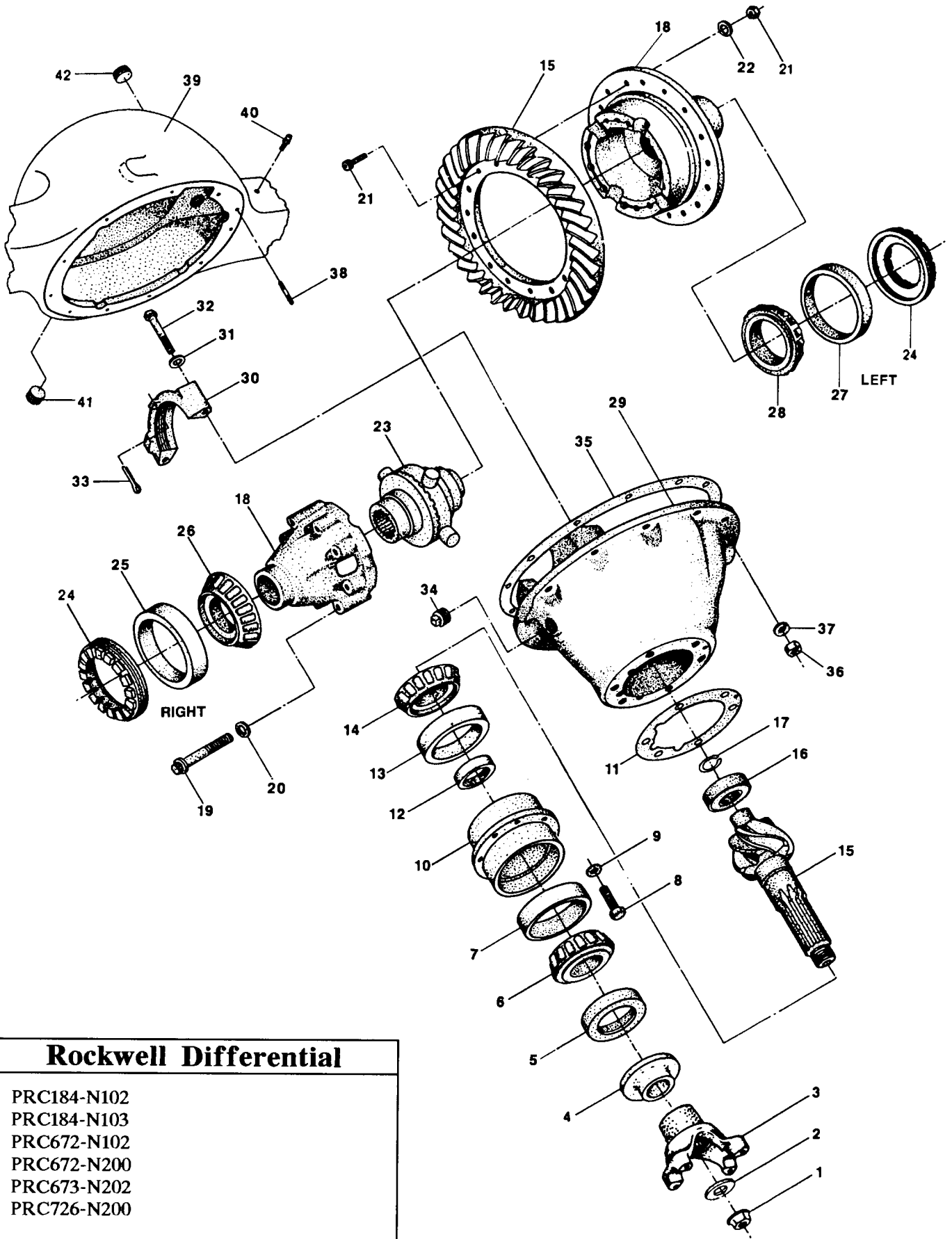
REF	AFTERMARKET NO.	DESCRIPTION/COMMENT	QTY
	1542514	Carrier Ass'y, Differential	1
1	3142503	Nut	1
2	4442508	Washer	1
3	4482721	Yoke	1
	4482503	Yoke, Franklin	1
4	4122701	Slinger	1
	4122501	Slinger	1
5	1742502	Cover and Seal	1
6	2292500	Gasket	1
7	3922115	Seal	1
8	1220126	Bearing Cone - Outer	1
9	1200126	Bearing Cup - Outer	1
10	1172509	Capscrew	1
11	1502508	Cage and Cup	1
12	4062505	Shim - .003	A/R
	4062507	Shim - .005	A/R
	4062506	Shim - .010	A/R
13	4132596	Spacer - .187	A/R
	4132597	Spacer - .188	A/R
	4132598	Spacer - .189	A/R
	4132599	Spacer - .190	A/R
	4132600	Spacer - .191	A/R
	4132601	Spacer - .192	A/R
	4132602	Spacer - .198	A/R
	4132603	Spacer - .204	A/R
	4132604	Spacer - .210	A/R
	4132605	Spacer - .216	A/R
	4132562	Spacer - .222	A/R
14	1200126	Bearing Cup - Inner	1
15	1220127	Bearing Cone - Inner	1

Manufacturers' names, part numbers and model numbers are for reference purposes only. We do not suggest or imply that any item is that of the original manufacturer. (c) 1991 Aftermarket Parts Inc.

# Rockwell Differential

REF	AFTERMARKET NO.	DESCRIPTION/COMMENT	QTY
16	2602525	Drive Gear/Pinion - 5:36 P36533, RG35772	1
	2602513	Drive Gear/Pinion - 5:39 P36769, RG36768	1
17	1260106	Rear Bearing	1
18	3682501	Lock Ring	1
19	1542512	Carrier Ass'y, Differential	1
		Case - Flanged Half	N/A
		Case - Plain Half	N/A
20	1172510	Capscrew - Long	8
	1172511	Capscrew - Short	8
21	2872500	Bolt Kit	1
22	3093127	No Spin	1
23	3162503	Adjusting Nut - Left Hand	1
	3162503	Adjusting Nut - Right Hand	1
24	1220109	Bearing Cup - Right Hand	1
25	1200109	Bearing Cone - Right Hand	1
26	1200115	Bearing Cup - Left Hand	1
27	1220115	Bearing Cone - Left Hand	1
	1542513	Carrier and Cap Ass'y	1
28		Carrier	N/A
29		Cap	N/A
30	5/8	Washer	4
31	5/8-11UNCX4 1/2	Capscrew	4
32	3372501	Cotter Pin	2
33	3512500	Plug - Oil Filler	1
34	2292501	Gasket	1
35	9/16-20 UNF	Nut	14
36	9/16	Washer, Flat	14
37	9/16X2 5/8	Stud - Short	10
	9/16X3	Stud - Long	4
38		Housing and Stud Carrier	N/A
39	1422900	Breather	1
40	3512501	Plug- Oil Drain	1
41	3512500	Plug - Oil Filler	1

Manufacturers' names, part numbers and model numbers are for reference purposes only. We do not suggest or imply that any item is that of the original manufacturer. (c) 1991 Aftermarket Parts Inc.



### Rockwell Differential

- PRC184-N102
- PRC184-N103
- PRC672-N102
- PRC672-N200
- PRC673-N202
- PRC726-N200



# Rockwell Differential

**Model Numbers:**

PRC184-N102	PRC672-N200
PRC184-N103	PRC673-N202
PRC672-N102	PRC726-N200

REF	AFTERMARKET NO.	DESCRIPTION/COMMENT	QTY
	1542523	Carrier Ass'y, Differential PRC184	1
	1542517	Carrier Ass'y, Differential PRC672, PRC673	1
	1542518	Carrier Ass'y, Differential PRC726	1
1	3142504	Nut	1
2	4442510	Washer	1
3	4482502	Yoke PRC184	1
	4482506	Yoke PRC726	1
	4482505	Yoke PRC672, PRC673	1
4	4122503	Slinger	1
	4122504	Slinger PRC726	1
5	3922502	Seal	1
6	1220135	Bearing Cone - Outer	1
7	1200135	Bearing Cup - Outer	1
8	7/16-14UNCX1 1/2	Capscrew GR. 8	8
9	7/16	Washer, Flat	8
10	1502509	Cage and Cup	1
11	4062505	Shim - .003	A/R
	4062507	Shim - .005	A/R
	4062506	Shim - .010	A/R
12	4132543	Spacer - .236	A/R
	4132544	Spacer - .237	A/R
	4132545	Spacer - .238	A/R
	4132546	Spacer - .239	A/R
	4132547	Spacer - .240	A/R
	4132548	Spacer - .242	A/R
	4132549	Spacer - .244	A/R
	4132550	Spacer - .246	A/R
	4132551	Spacer - .247	A/R
	4132552	Spacer - .254	A/R
	4132553	Spacer - .261	A/R

Manufacturers' names, part numbers and model numbers are for reference purposes only. We do not suggest or imply that any item is that of the original manufacturer. (c) 1991 Aftermarket Parts Inc.

# Rockwell Differential

REF	AFTERMARKET NO.	DESCRIPTION/COMMENT	QTY
(12)	4132554	Spacer - .268	A/R
	4132555	Spacer - .275	A/R
	4132556	Spacer - .282	A/R
	4132557	Spacer - .289	A/R
	4132558	Spacer - .296	A/R
13	1200126	Bearing Cup - Inner	1
14	1220127	Bearing Cone - Inner	1
15	2602527	Drive Gear/Pinion - 8:37 P38215, RG36612	1
	2602528	Drive Gear/Pinion - P38217, RG35778	1
	2602529	Drive Gear/Pinion - 6:41 P38221, RG35774	1
	2602523	Drive Gear/Pinion - 6:43 P38223, RG37944	1
	2602512	Drive Gear/Pinion - P38225, RG36768	1
	2602530	Drive Gear/Pinion - P38219, RG35732	1
16	1260106	Rear Bearing	1
17	3682501	Lock Ring	1
18	1542522	Case Ass'y - Differential	1
		Case, Flanged Half or Plain Half	N/A
19	1/2-13UNCX3 1/4	Capscrew GR.8	8
20	1/2	Washer	8
21	2872500	Bolt Kit	1
22	4442504	Washer	12
23	3093139	No Spin PRC184,PRC672,PRC726 (20 Splines)	1
	3093126	No Spin PRC673 (21 Splines)	1
	3093127	No Spin PRC673 (22 Splines)	1
24	3162504	Adjusting Nut - Left Hand	1
	3162504	Adjusting Nut - Right Hand	1
25	1200154	Bearing Cup - Right Hand	1
26	1220159	Bearing Cone - Right Hand	1
27	1200154	Bearing Cup - Left Hand	1
28	1220159	Bearing Cone - Left Hand	1
29	1542508	Carrier and Cap Ass'y	1
		Carrier	N/A
30		Cap	N/A
31	5/8	Washer	4
32	5/8UNCX4 1/2	Capscrew GR. 8	4

Manufacturers' names, part numbers and model numbers are for reference purposes only. We do not suggest or imply that any item is that of the original manufacturer. (c) 1991 Aftermarket Parts Inc.

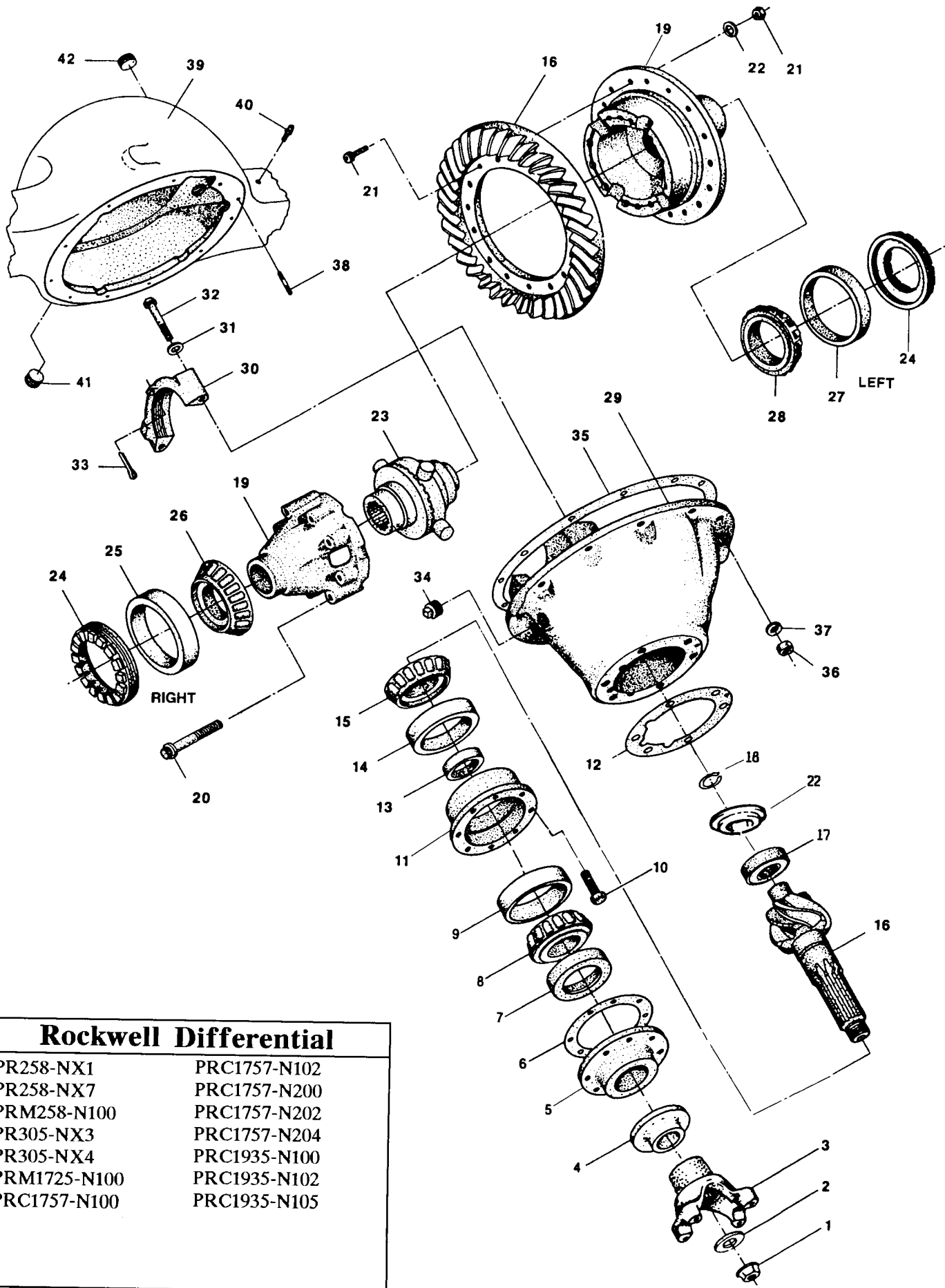


# Rockwell Differential

REF	AFTERMARKET NO.	DESCRIPTION/COMMENT	QTY
33	3372501	Cotter Pin	2
34	3512500	Plug - Oil Filler	1
35	Silicone	Gasket	1
36	1/2 NF	Nut	14
37	1/2	Washer	14
38	4282506	Stud - Short	10
	4282507	Stud - Long	4
39		Housing and Stud Carrier	N/A
40		Breather	N/A
41	3512500	Plug - Oil Drain	1
42	3512500	Plug - Oil Filler	1

Manufacturers' names, part numbers and model numbers are for reference purposes only. We do not suggest or imply that any item is that of the original manufacturer. (c) 1991 Aftermarket Parts Inc.





### Rockwell Differential

PR258-NX1	PRC1757-N102
PR258-NX7	PRC1757-N200
PRM258-N100	PRC1757-N202
PR305-NX3	PRC1757-N204
PR305-NX4	PRC1935-N100
PRM1725-N100	PRC1935-N102
PRC1757-N100	PRC1935-N105



## Rockwell Differential

**Model Numbers:**

PR258-NX1	PRM1725-N100	PRC1757-N204
PR258-NX7	PRC1757-N100	PRC1935-N100
PRM258-N100	PRC1757-N102	PRC1935-N102
PR305-NX3	PRC1757-N200	PRC1935-N105
PR305-NX4	PRC1757-N202	

REF	AFTERMARKET NO.	DESCRIPTION/COMMENT	QTY
	1542517	Carrier Ass'y, Differential	1
1	3142505	Nut	1
2	4442511	Washer	1
3	4482507	Yoke	1
4	4122507	Slinger	1
5	1742507	Cover and Seal	1
6	2292507	Gasket	1
7	3922115	Seal	1
8	1220140	Bearing Cone - Outer	1
9	1200158	Bearing Cup - Outer	1
10	3872504	Capscrew	8
11	1502509	Cage and Cup	1
12	4062508	Shim - .003	A/R
	4062509	Shim - .005	A/R
	4062510	Shim - .010	A/R
13	4132606	Spacer - .248	A/R
	4132607	Spacer - .249	A/R
	4132608	Spacer - .250	A/R
	4132609	Spacer - .251	A/R
	4132610	Spacer - .252	A/R
	4132611	Spacer - .253	A/R
	4132612	Spacer - .259	A/R
	4132613	Spacer - .265	A/R
	4132614	Spacer - .271	A/R
	4132615	Spacer - .277	A/R
	4132616	Spacer - .283	A/R
14	1200158	Bearing Cup - Inner	1
15	1220140	Bearing Cone - Inner	1
16	2602531	Drive Gear/Pinion P35313, RG35136	1
	2602532	Drive Gear/Pinion P35769, RG35768	1

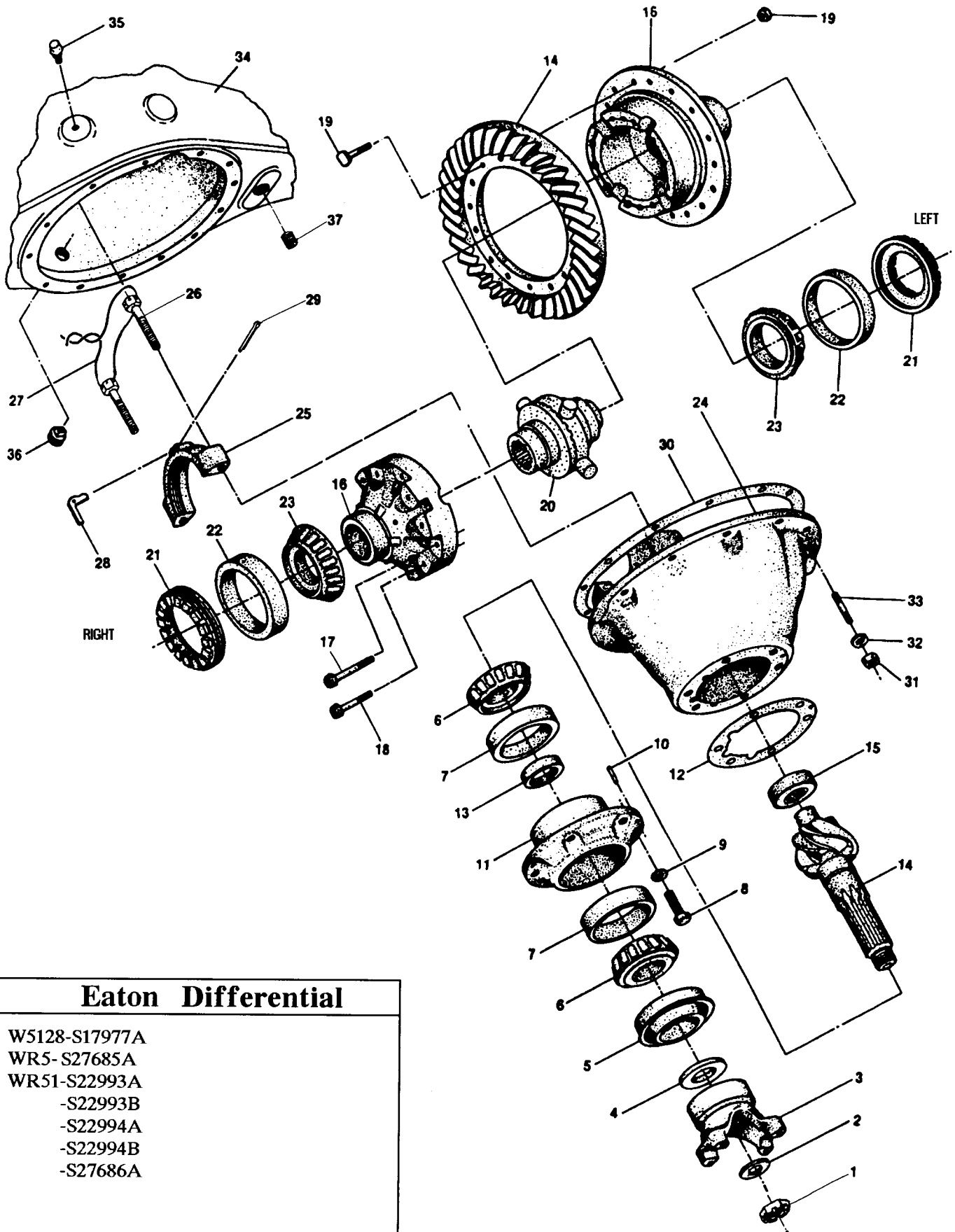
Manufacturers' names, part numbers and model numbers are for reference purposes only. We do not suggest or imply that any item is that of the original manufacturer. (c) 1991 Aftermarket Parts Inc.

## Rockwell Differential

REF	AFTERMARKET NO.	DESCRIPTION/COMMENT	QTY
(16)	2602533	Drive Gear/Pinion P35315, RG35156	1
	2602534	Drive Gear/Pinion P35311, RG35134	1
	2602535	Drive Gear/Pinion P35317, RG35166	1
17	1260108	Rear Bearing	1
18	3682515	Lock Ring	1
19	1542518	Case Ass'y - Differential	1
		Case - Flanged Half	N/A
		Case - Plain Half	N/A
20	5/8-11UNCX3 3/4	Capscrew - Long	8
	5/8-11UNCX2 3/4	Capscrew - Short	4
21	2872502	Bolt Kit	1
22	3652500	Retainer	12
23	3093172	No Spin	1
24	3162505	Adjusting Nut - Left Hand	1
	3162505	Adjusting Nut - Right Hand	1
25	1200159	Bearing Cup - Right Hand	1
26	1220161	Bearing Cone - Right Hand	1
27	1200159	Bearing Cup - Left Hand	1
28	1220161	Bearing Cone - Left Hand	1
	1542519	Carrier and Cap Ass'y	1
29		Carrier	N/A
30		Cap	N/A
32	7/8	Washer GR.8	4
32	7/8-9UNCX5 1/2	Capscrew	4
33	3372501	Cotter Pin	2
34	3512500	Plug - Oil Filler	1
35	Silicone	Gasket	1
36	5/8-18UNF	Nut	14
37	5/8	Washer, Flat	14
38	5/8X2 3/4	Stud - Short	A/R
	5/8X3	Stud - Long	A/R
39		Housing and Stud Carrier	N/A
40	1422900	Breather	1
41	3502500	Plug - Oil Drain	1
42	3512500	Plug - Oil Filler	1

Manufacturers' names, part numbers and model numbers are for reference purposes only. We do not suggest or imply that any item is that of the original manufacturer. (c) 1991 Aftermarket Parts Inc.





<b>Eaton Differential</b>
W5128-S17977A
WR5-S27685A
WR51-S22993A
-S22993B
-S22994A
-S22994B
-S27686A





# Eaton Differential

**Model Numbers:**

W5128-S17977A	WR51-S22993A	
WR5-S27685A	S22993B	
	S22994A	
	S22994B	
	S27686A	

REF	AFTERMARKET NO.	DESCRIPTION/COMMENT	QTY
	1540703	Carrier Ass'y, Diff. (Stamped 118779)	1
	1540704	Carrier Ass'y, Diff. (Stamped 93682)	1
	1540705	Carrier Ass'y, Diff. (Stamped 98088)	1
1	3142201	Nut	1
2	4440700	Washer	1
3	4482709	Yoke 1410 Series	1
	4482712	Yoke 1480 Series	1
4	4420704	Washer, Thrust	1
5	3920700	Seal Ass'y	1
6	1220137	Bearing Cone - Inner	1
	1220137	Bearing Cone - Outer	1
7	1200138	Bearing Cup - Inner	1
	1200138	Bearing Cup - Outer	1
8	1170700	Bolt	6
9	4440701	Washer	6
10	3370700	Dowel Pin	1
11	1500700	Cage and Cup	1
12	4060700	Shim - .003	A/R
	4060701	Shim - .005	A/R
	4060702	Shim - .010	A/R
	4060703	Shim - .020	A/R
	4060704	Shim - .030	A/R
13	4130700	Spacer - .513	A/R
	4130701	Spacer - .514	A/R
	4130702	Spacer - .515	A/R
	4130703	Spacer - .516	A/R
	4130704	Spacer - .517	A/R
	4130705	Spacer - .518	A/R
	4130706	Spacer - .519	A/R
	4130707	Spacer - .520	A/R

Manufacturers' names, part numbers and model numbers are for reference purposes only. We do not suggest or imply that any item is that of the original manufacturer. (c) 1991 Aftermarket Parts Inc.

# Eaton Differential

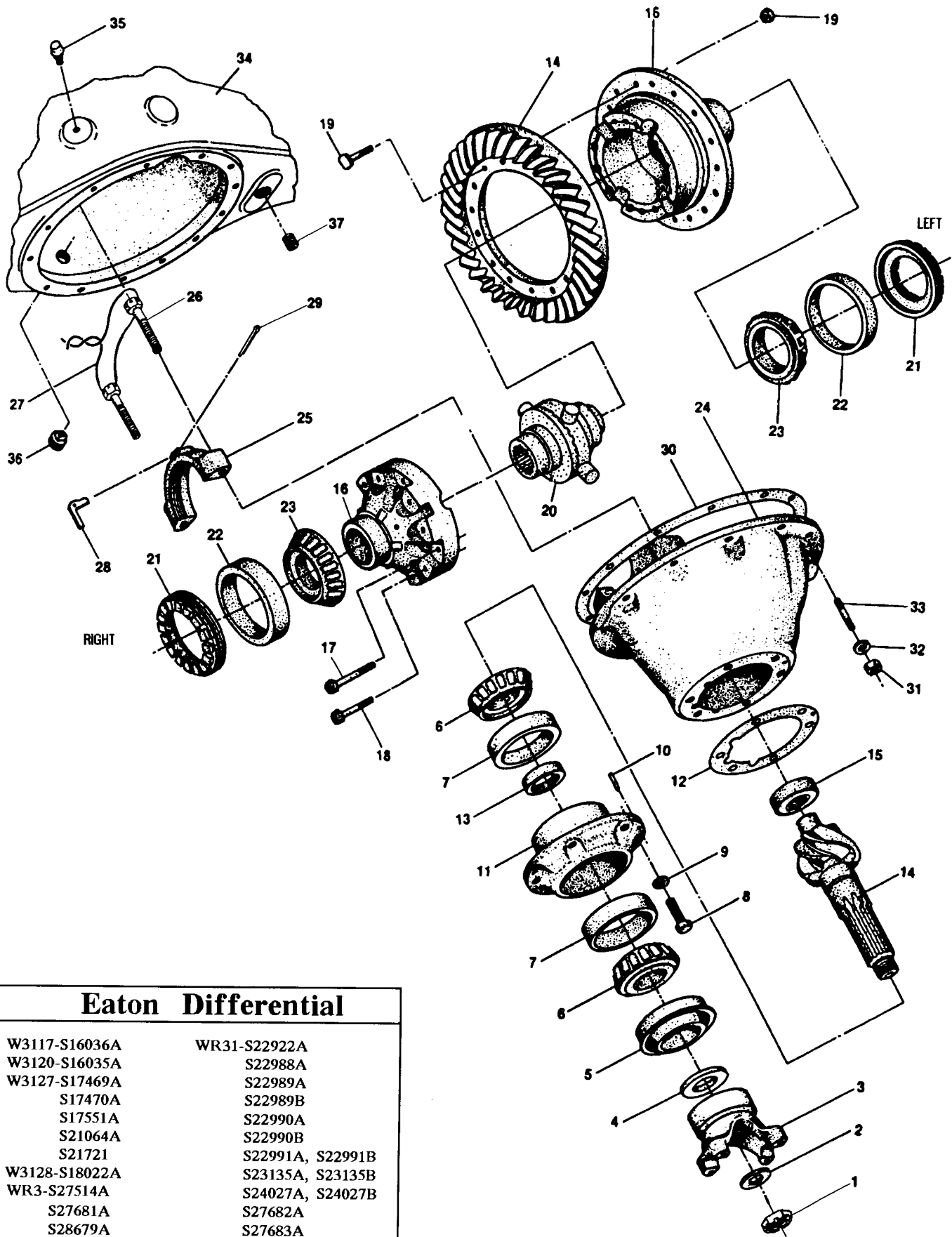
REF	AFTERMARKET NO.	DESCRIPTION/COMMENT	QTY
(13)	4130708	Spacer - .521	A/R
	4130709	Spacer - .522	A/R
	4130710	Spacer - .523	A/R
	4130711	Spacer - .524	A/R
	4130712	Spacer - .525	A/R
	4130713	Spacer - .526	A/R
	4130714	Spacer - .527	A/R
	4130715	Spacer - .528	A/R
	4130716	Spacer - .529	A/R
	4130717	Spacer - .530	A/R
	4130718	Spacer - .531	A/R
	4130719	Spacer - .532	A/R
	4130720	Spacer - .533	A/R
	4130721	Spacer - .534	A/R
	4130722	Spacer - .535	A/R
	4130723	Spacer - .536	A/R
	4130724	Spacer - .537	A/R
	4130725	Spacer - .538	A/R
	4130726	Spacer - .539	A/R
	4130727	Spacer - .540	A/R
	4130728	Spacer - .541	A/R
	4130729	Spacer - .542	A/R
	4130730	Spacer - .543	A/R
	4130731	Spacer - .544	A/R
14		Drive Gear/Pinion 6:38 - 7/16" Bolt Dia.	N/A
15 16	2600704	P74051, RG77878 Drive Gear/Pinion 6:38 - 1/2" Bolt Dia.	1
	1260102	P74051, RG120061 Rear Bearing	1
		Case Ass'y, Differential 7/16" Bolt Dia.	N/A
17 18	1540702	Case Ass'y, Differential 1/2" Bolt Dia.	1
		Case - Plain Half	N/A
		Case - Flanged Half	N/A
	7/16-14UNCX2 9/16	Bolt - Long	8
	7/16-14UNCX1 15/16	Bolt - Short	4

Manufacturers' names, part numbers and model numbers are for reference purposes only. We do not suggest or imply that any item is that of the original manufacturer. (c) 1991 Aftermarket Parts Inc.

# Eaton Differential

REF	AFTERMARKET NO.	DESCRIPTION/COMMENT	QTY
19	2870700	Bolt Kit - 7/16" Bolt Dia.	1
	2870701	Bolt Kit - 1/2" Bolt Dia.	1
20	3083158	No Spin	1
21	3160701	Adjusting Nut - Right Hand	1
	3160701	Adjusting Nut - Left Hand	1
22	1200113	Bearing Cup - Right Hand	1
	1200113	Bearing Cup - Left Hand	1
23	1220113	Bearing Cone - Right Hand	1
	1220113	Bearing Cone - Left Hand	1
	1540700	Carrier and Cap Ass'y	1
24		Carrier	N/A
25		Cap	N/A
26	5/8-11UNCX3 7/16	Capscrew	4
27		Lockwire	N/A
28	3030701	Lock	2
29	3/16X1	Cotter Pin	2
30	Silicone	Gasket	1
31	7/16-20 UNF	Nut	12
32	7/16	Washer	12
33	7/16X2	Stud	12
34		Housing and Stud Carrier	N/A
35	1420700	Breather	1
36	3510700	Drain Plug	1
37	3510700	Filler Plug	1

Manufacturers' names, part numbers and model numbers are for reference purposes only. We do not suggest or imply that any item is that of the original manufacturer. (c) 1991 Aftermarket Parts Inc.



## Eaton Differential

W3117-S16036A	WR31-S22922A
W3120-S16035A	S22988A
W3127-S17469A	S22989A
S17470A	S22989B
S17551A	S22990A
S21064A	S22990B
S21721	S22991A, S22991B
W3128-S18022A	S23135A, S23135B
WR3-S27514A	S24027A, S24027B
S27681A	S27682A
S28679A	S27683A
S28680A	S27684A



# Eaton Differential

**Model Numbers:**

W3117-S16036A	W3128-S18022A	WR31-S22990A, S22990B
W3120-S16035A	WR3 -S27514A, S27681A	S22991A, S2299AB
W3127-S17469A, S17470A	S28679A, S28680A	S23135A, S23135B
S17551A, S21064A	WR31-S22922A, S22988A	S24027A, S24027B
S21721A	S22989A, S22989B	S27682A, S27683A
		S27684A

REF	AFTERMARKET NO.	DESCRIPTION/COMMENT	QTY
	1540706	Carrier Ass'y, Diff. (Stamped 85802)	1
	1540707	Carrier Ass'y, Diff. (Stamped 88839)	1
	1540708	Carrier Ass'y, Diff. (Stamped 113232)	1
	1540709	Carrier Ass'y, Diff. (Stamped 85799)	1
	1540710	Carrier Ass'y, Diff. (Stamped 88836)	1
	1540711	Carrier Ass'y, Diff. (Stamped 113229)	1
	1540712	Carrier Ass'y, Diff. (Stamped 85801)	1
	1540713	Carrier Ass'y, Diff. (Stamped 88838)	1
	1540714	Carrier Ass'y, Diff. (Stamped 113231)	1
1	3142201	Nut	1
2	4440700	Washer	1
3	4482709	Yoke 1410 Series	1
	4482712	Yoke 1480 Series	1
4	4420704	Washer, Thrust	1
5	3920700	Seal Ass'y	1
6	1220137	Bearing Cone - Inner	1
	1220137	Bearing Cone - Outer	1
7	1200138	Bearing Cup - Inner	1
	1200138	Bearing Cup - Outer	1
8	1170700	Bolt	6
9	4440701	Washer	6
10	3370700	Dowel Pin	1
11	1500701	Cage and Cup	1
12	4060700	Shim - .003	A/R
	4060701	Shim - .005	A/R
	4060702	Shim - .010	A/R
	4060703	Shim - .020	A/R
	4060704	Shim - .030	A/R
13	4130700	Spacer - .513	A/R
	4130701	Spacer - .514	A/R

Manufacturers' names, part numbers and model numbers are for reference purposes only. We do not suggest or imply that any item is that of the original manufacturer. (c) 1991 Aftermarket Parts Inc.

# Eaton Differential

REF	AFTERMARKET NO.	DESCRIPTION/COMMENT	QTY
(13)	4130702	Spacer - .515	A/R
	4130703	Spacer - .516	A/R
	4130704	Spacer - .517	A/R
	4130705	Spacer - .518	A/R
	4130706	Spacer - .519	A/R
	4130707	Spacer - .520	A/R
	4130708	Spacer - .521	A/R
	4130709	Spacer - .522	A/R
	4130710	Spacer - .523	A/R
	4130711	Spacer - .524	A/R
	4130712	Spacer - .525	A/R
	4130713	Spacer - .526	A/R
	4130714	Spacer - .527	A/R
	4130715	Spacer - .528	A/R
	4130716	Spacer - .529	A/R
	4130717	Spacer - .530	A/R
	4130718	Spacer - .531	A/R
	4130719	Spacer - .532	A/R
	4130720	Spacer - .533	A/R
	4130721	Spacer - .534	A/R
	4130722	Spacer - .535	A/R
	4130723	Spacer - .536	A/R
	4130724	Spacer - .537	A/R
	4130725	Spacer - .538	A/R
	4130726	Spacer - .539	A/R
	4130727	Spacer - .540	A/R
	4130728	Spacer - .541	A/R
	4130729	Spacer - .542	A/R
	4130730	Spacer - .543	A/R
	4130731	Spacer - .544	A/R
14		Drive Gear/Pinion 6:35 - 7/16" Bolt Dia. P47994, RG63088	N/A
		Drive Gear/Pinion 6:38 - 7/16" Bolt Dia. P46730, RG56740	N/A

Manufacturers' names, part numbers and model numbers are for reference purposes only. We do not suggest or imply that any item is that of the original manufacturer. (c) 1991 Aftermarket Parts Inc.



# Eaton Differential

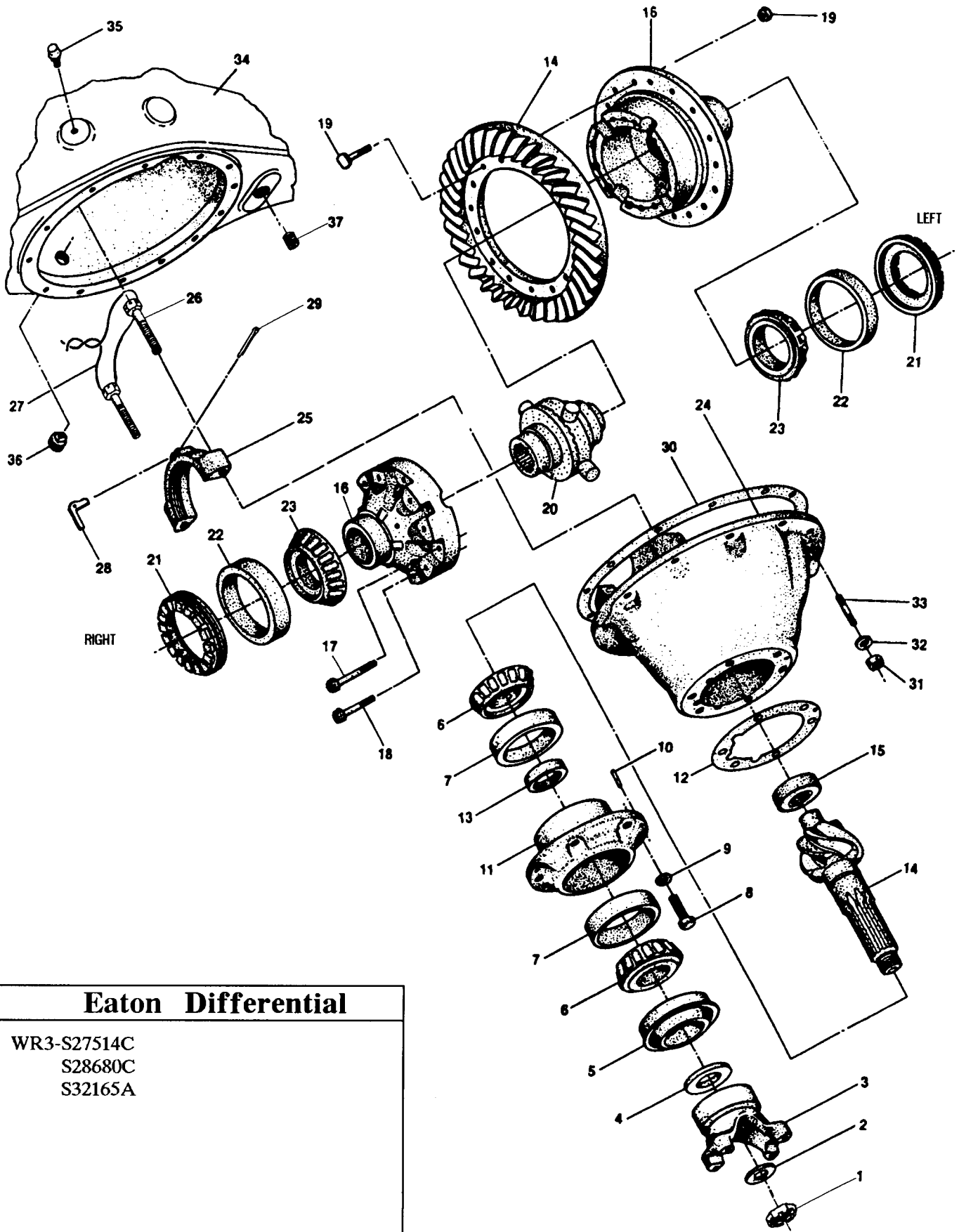
REF	AFTERMARKET NO.	DESCRIPTION/COMMENT	QTY
(14)		Drive Gear/Pinion 9:41 - 7/16" Bolt Dia. P55502, RG79278	N/A
	2600708	Drive Gear/Pinion 6:35 - 1/2" Bolt Dia. P47994, RG120069	1
	2600701	Drive Gear/Pinion 6:38 - 1/2" Bolt Dia. P46730, RG120071	1
	2600707	Drive Gear/Pinion 9:41 - 1/2" Bolt Dia. P55502, RG120067	1
15	1260102	Rear Bearing	1
16		Case Ass'y, Differential - 7/16" Bolt Dia.	N/A
	1540702	Case Ass'y, Differential - 1/2" Bolt Dia.	1
		Case - Plain Half	N/A
		Case - Flanged Half	N/A
17	7/16-14UNCX2 9/16	Bolt - Long	8
18	7/16-14UNCX1 15/16	Bolt - Short	4
19	2870700	Bolt Kit - 7/16" Bolt Dia.	1
	2870701	Bolt Kit - 1/2" Bolt Dia.	1
20	3083158	No Spin	1
21	3160701	Adjusting Nut - Right Hand	1
	3160701	Adjusting Nut - Left Hand	1
22	1200113	Bearing Cup - Right Hand	1
	1200113	Bearing Cup - Left Hand	1
23	1220113	Bearing Cone - Right Hand	1
	1220113	Bearing Cone - Left Hand	1
	1540700	Carrier and Cap Ass'y	1
24		Carrier	N/A
25		Cap	N/A
26	5/8-11UNCX3 7/16	Capscrew	4
27		Lockwire	N/A
28	3030701	Lock	2
29	3/16X1	Cotter Pin	2
30	Silicone	Gasket	1
31	7/16-20 UNF	Nut	12
32	7/16	Washer	12
33	7/16X2	Stud	12

Manufacturers' names, part numbers and model numbers are for reference purposes only. We do not suggest or imply that any item is that of the original manufacturer. (c) 1991 Aftermarket Parts Inc.

# Eaton Differential

REF	AFTERMARKET NO.	DESCRIPTION/COMMENT	QTY
34		Housing and Stud Carrier	N/A
35	1420700	Breather	1
36	3510700	Drain Plug	1
37	3510700	Filler Plug	1

Manufacturers' names, part numbers and model numbers are for reference purposes only. We do not suggest or imply that any item is that of the original manufacturer. (c) 1991 Aftermarket Parts Inc.



<h2>Eaton Differential</h2> <p>WR3-S27514C S28680C S32165A</p>
--



# Eaton Differential

**Model Numbers:**

WR3-S27514C

S28680C

S32165A

REF	AFTERMARKET NO.	DESCRIPTION/COMMENT	QTY
	1540715	Carrier Ass'y, Diff. (Stamped 121345)	1
	1540716	Carrier Ass'y, Diff. (Stamped 121980)	1
	1540717	Carrier Ass'y, Diff. (Stamped 121009)	1
	1540718	Carrier Ass'y, Diff. (Stamped 121344)	1
1	3142201	Nut	1
2	4440700	Washer	1
3	4482712	Yoke 1480 Series	1
4	4420704	Washer, Thrust	1
5	3920700	Seal Ass'y	1
6	1220137	Bearing Cone - Inner	1
7	1220137	Bearing Cone - Outer	1
	1200138	Bearing Cup - Inner	1
	1200138	Bearing Cup - Outer	1
8	1170700	Bolt	6
9		Washer	N/U
10	3370700	Dowel Pin	1
11	1500701	Cage and Cup	1
12	4060700	Shim - .003	A/R
	4060701	Shim - .005	A/R
	4060702	Shim - .010	A/R
	4060703	Shim - .020	A/R
	4060704	Shim - .030	A/R
13	4130700	Spacer - .513	A/R
	4130701	Spacer - .514	A/R
	4130702	Spacer - .515	A/R
	4130703	Spacer - .516	A/R
	4130704	Spacer - .517	A/R
	4130705	Spacer - .518	A/R
	4130706	Spacer - .519	A/R
	4130707	Spacer - .520	A/R

Manufacturers' names, part numbers and model numbers are for reference purposes only. We do not suggest or imply that any item is that of the original manufacturer. (c) 1991 Aftermarket Parts Inc.

# Eaton Differential

REF	AFTERMARKET NO.	DESCRIPTION/COMMENT	QTY
(13)	4130708	Spacer - .521	A/R
	4130709	Spacer - .522	A/R
	4130710	Spacer - .523	A/R
	4130711	Spacer - .524	A/R
	4130712	Spacer - .525	A/R
	4130713	Spacer - .526	A/R
	4130714	Spacer - .527	A/R
	4130715	Spacer - .528	A/R
	4130716	Spacer - .529	A/R
	4130717	Spacer - .530	A/R
	4130718	Spacer - .531	A/R
	4130719	Spacer - .532	A/R
	4130720	Spacer - .533	A/R
	4130721	Spacer - .534	A/R
	4130722	Spacer - .535	A/R
	4130723	Spacer - .536	A/R
	4130724	Spacer - .537	A/R
	4130725	Spacer - .538	A/R
	4130726	Spacer - .539	A/R
	4130727	Spacer - .540	A/R
	4130728	Spacer - .541	A/R
	4130729	Spacer - .542	A/R
	4130730	Spacer - .543	A/R
	4130731	Spacer - .544	A/R
14	2600708	Drive Gear/Pinion 6:35 - 1/2" Bolt Dia.	1
	2600701	P47994, RG120069 Drive Gear/Pinion 6:38 - 1/2" Bolt Dia.	1
15	1260102	P46730, RG120071 Rear Bearing	1
16	1540719	Case Ass'y, Differential - 1/2" Bolt Dia.	1
17	7/16-14UNCX2 9/16	Case - Plain Half	N/A
		Case - Flanged Half	N/A
18	7/16-14UNCX1 15/16	Bolt - Long, Self-Locking	8
18		Bolt - Short, Self-Locking	4
19	2870701	Bolt Kit - 1/2" Bolt Dia.	1

Manufacturers' names, part numbers and model numbers are for reference purposes only. We do not suggest or imply that any item is that of the original manufacturer. (c) 1991 Aftermarket Parts Inc.

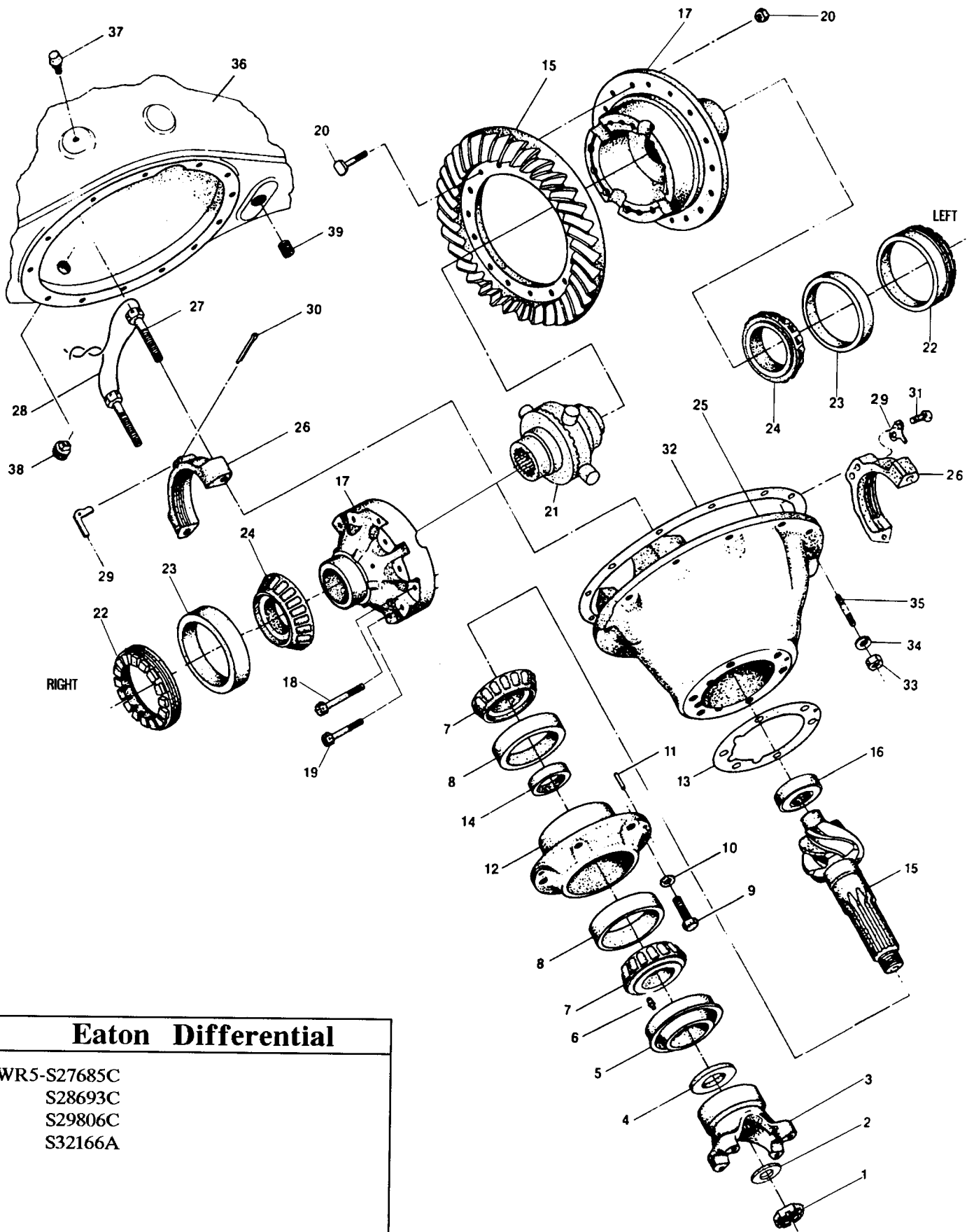
# Eaton Differential

REF	AFTERMARKET NO.	DESCRIPTION/COMMENT	QTY
20	3083158	No Spin	1
21	3160702	Adjusting Nut - Right Hand	1
	3160703	Adjusting Nut - Left Hand	1
22	1200102	Bearing Cup - Right Hand	1
	1200113	Bearing Cup - Left Hand	1
23	1220165	Bearing Cone - Right Hand	1
	1220113	Bearing Cone - Left Hand	1
	1540700	Carrier and Cap Ass'y	1
24		Carrier	N/A
25		Cap	N/A
26	5/8-11UNCX3 7/16	Capscrew	4
27		Lockwire	N/A
28	3030702	Lock - Right Hand	1
	3030703	Lock - Left Hand	1
29	3/16X1	Cotter Pin	1
30	1170700	Bolt	1
31	Silicone	Gasket	1
32	7/16-20 UNF	Nut	12
33	7/16	Washer	12
34	7/16X2	Stud	12
35		Housing and Stud Carrier	N/A
36	1420700	Breather	1
37	3510701	Drain Plug	1
38	3510701	Filler Plug	1

Manufacturers' names, part numbers and model numbers are for reference purposes only. We do not suggest or imply that any item is that of the original manufacturer. (c) 1991 Aftermarket Parts Inc.







## Eaton Differential

WR5-S27685C  
 S28693C  
 S29806C  
 S32166A



# Eaton Differential

**Model Numbers:**

WR5-S27685C  
 S28693C  
 S29806C  
 S32166A

REF	AFTERMARKET NO.	DESCRIPTION/COMMENT	QTY
	1540720	Carrier Ass'y, Diff. (Stamped 121347)	1
	1540721	Carrier Ass'y, Diff. (Stamped 121069)	1
	1540722	Carrier Ass'y, Diff. (Stamped 121981)	1
	1540723	Carrier Ass'y, Diff. (Stamped 121346)	1
1	3142201	Nut	1
2	4440700	Washer	1
3	4482707	Yoke 1480 Series	1
	4482708	Yoke 1480 Series (used with 1540722)	1
4	4420704	Washer, Thrust	1
5	3920700	Seal Ass'y	1
	3920701	Seal Ass'y (used with 1540722)	1
	3920702	Seal - Inner (used with 1540722)	1
	3920703	Seal - Inner (used with 1540722)	1
	3920704	Seal - Outer (used with 1540722)	1
6	2182901	Grease Fitting	N/U
7	1220137	Bearing Cone - Inner	1
	1220137	Bearing Cone - Outer	1
8	1200138	Bearing Cup - Inner	1
	1200138	Bearing Cup - Outer	1
9	1170701	Bolt - Special	6
10		Washer	N/U
11	3370700	Dowel Pin	1
12	1500700	Cage and Cup	1
13	4060700	Shim - .003	A/R
	4060701	Shim - .005	A/R
	4060702	Shim - .010	A/R
	4060703	Shim - .020	A/R
	4060704	Shim - .030	A/R
14	4130700	Spacer - .513	A/R
	4130701	Spacer - .514	A/R

Manufacturers' names, part numbers and model numbers are for reference purposes only. We do not suggest or imply that any item is that of the original manufacturer. (c) 1991 Aftermarket Parts Inc.

# Eaton Differential

REF	AFTERMARKET NO.	DESCRIPTION/COMMENT	QTY
(14)	4130702	Spacer - .515	A/R
	4130703	Spacer - .516	A/R
	4130704	Spacer - .517	A/R
	4130705	Spacer - .518	A/R
	4130706	Spacer - .519	A/R
	4130707	Spacer - .520	A/R
	4130708	Spacer - .521	A/R
	4130709	Spacer - .522	A/R
	4130710	Spacer - .523	A/R
	4130711	Spacer - .524	A/R
	4130712	Spacer - .525	A/R
	4130713	Spacer - .526	A/R
	4130714	Spacer - .527	A/R
	4130715	Spacer - .528	A/R
	4130716	Spacer - .529	A/R
	4130717	Spacer - .530	A/R
	4130718	Spacer - .531	A/R
	4130719	Spacer - .532	A/R
	4130720	Spacer - .533	A/R
	4130721	Spacer - .534	A/R
	4130722	Spacer - .535	A/R
	4130723	Spacer - .536	A/R
	4130724	Spacer - .537	A/R
	4130725	Spacer - .538	A/R
	4130726	Spacer - .539	A/R
	4130727	Spacer - .540	A/R
	4130728	Spacer - .541	A/R
	4130729	Spacer - .542	A/R
	4130730	Spacer - .543	A/R
	4130731	Spacer - .544	A/R
15	2600710	Drive Gear/Pinion 6:35 - 1/2" Bolt Dia. P74049, RG120059	1
	2600704	Drive Gear/Pinion 6:38 - 1/2" Bolt Dia. P74051, RG120061	1
16	1260102	Rear Bearing	1

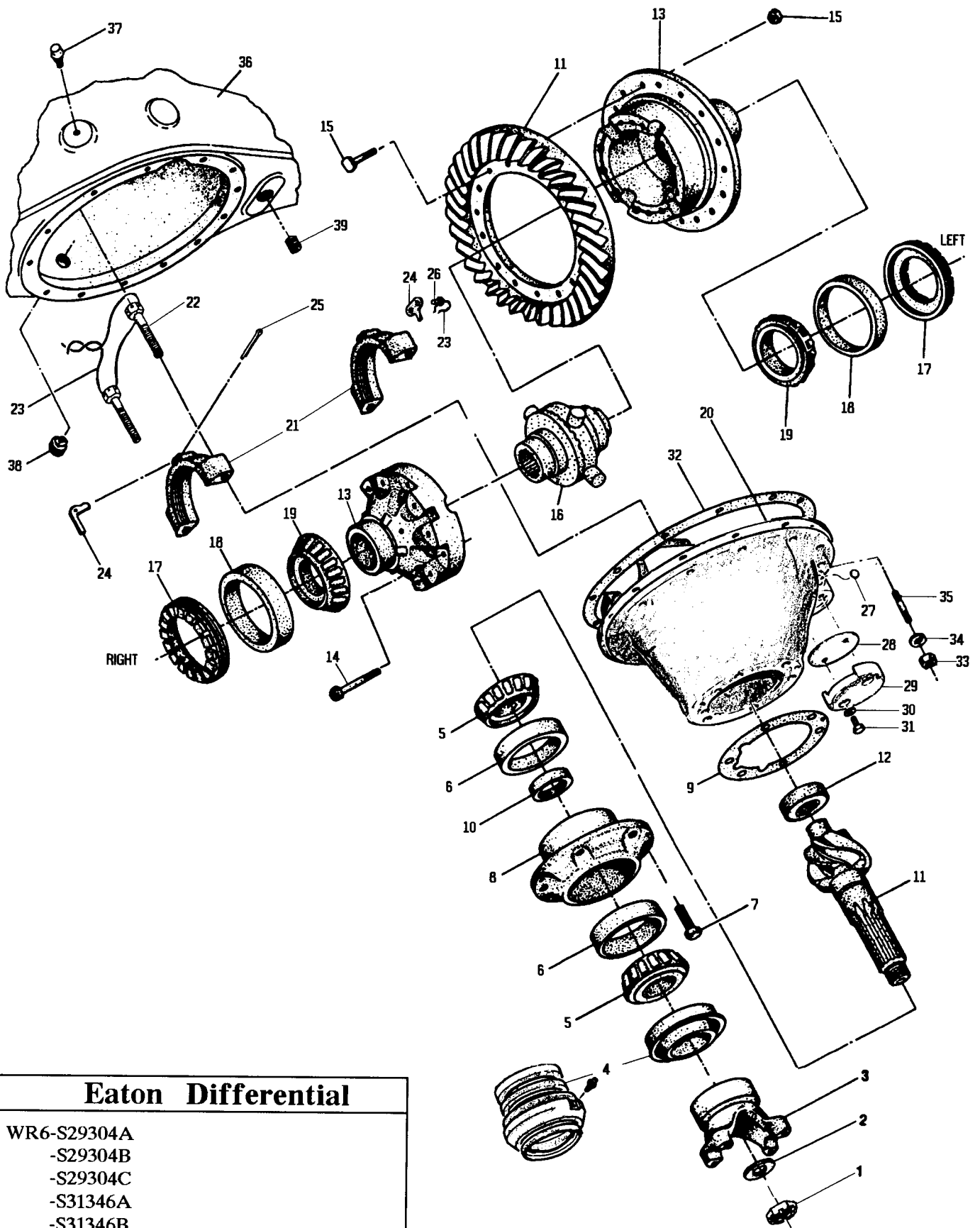
Manufacturers' names, part numbers and model numbers are for reference purposes only. We do not suggest or imply that any item is that of the original manufacturer. (c) 1991 Aftermarket Parts Inc.

# Eaton Differential

REF	AFTERMARKET NO.	DESCRIPTION/COMMENT	QTY
17	1540719	Case Ass'y, Differential - 1/2" Bolt Dia	1
		Case - Plain Half	N/A
		Case - Flanged Half	N/A
18	7/16-14UNCX2 9/16	Bolt - Long	8
19	7/16-14UNCX1 15/16	Bolt - Short	4
20	2870701	Bolt Kit - 1/2" Bolt Dia.	1
21	3083158	No Spin	1
22	3160702	Adjusting Nut - Right Hand	1
	3160703	Adjusting Nut - Left Hand	1
23	1200102	Bearing Cup - Right Hand	1
	1200113	Bearing Cup - Left Hand	1
24	1220165	Bearing Cone - Right Hand	1
	1220113	Bearing Cone - Left Hand	1
	1540700	Carrier and Cap Ass'y	N/A
25		Carrier	N/A
26		Cap	4
27	5/8-11UNCX3 7/16	Capscrew	N/A
28		Lockwire	1
29	3030702	Lock - Right Hand	1
30	3030703	Lock - Left Hand	1
30	3/16X1	Cotter Pin	1
31	1170700	Bolt	1
32	Silicone	Gasket	1
33	7/16-20 UNF	Nut	12
34	7/16	Washer	12
35	7/16X2	Stud	12
36		Housing and Stud Carrier	N/A
37	1420700	Breather	1
38	3510701	Drain Plug	1
39	3510701	Filler Plug	1

Manufacturers' names, part numbers and model numbers are for reference purposes only. We do not suggest or imply that any item is that of the original manufacturer. (c) 1991 Aftermarket Parts Inc.





## Eaton Differential

WR6-S29304A  
 -S29304B  
 -S29304C  
 -S31346A  
 -S31346B  
 -S32167A





# Eaton Differential

**Model Numbers:**

WR6-S29304A	WR6-S31346A
S29304B	S31346B
S29304C	S32167A

REF	AFTERMARKET NO.	DESCRIPTION/COMMENT	QTY
	1540738	Carrier Ass'y, Diff. (Stamped 119599)	1
	1540739	Carrier Ass'y, Diff. (Stamped 121349)	1
	1540740	Carrier Ass'y, Diff. (Stamped 121529)	1
	1540741	Carrier Ass'y, Diff. (Stamped 121447)	1
	1540742	Carrier Ass'y, Diff. (Stamped 121530)	1
	1540743	Carrier Ass'y, Diff. (Stamped 121982)	1
1	3142202	Nut	1
2	4440700	Washer	1
3	4482721	Yoke 1480 Series, WR6-S29304A, S29302A	1
	4482722	Yoke 1480 Series, WR6-S32167A	1
	4482723	Yoke 1480 Series, WR6-S29304B, S29304C, S29302B, S29302C, S31346A, S31346B	1
	4482725	Yoke 1550 Series, 520B Only, WR6-S31346A, S31346B, S32167A	1
4	3920702	Seal	1
	2880700	Seal Ass'y, WR6-S32167A Only	1
	2180700	Grease Fitting, WR6-S32167A Only	1
	3922142	Seal - Inner, WR6-S32167A Only	1
	3922173	Seal - Inner, WR6-S32167A Only	1
	3922174	Seal - Outer, WR6-S32167A Only	1
5	1220168	Bearing Cone - Inner	1
	1220168	Bearing Cone - Outer	1
6	1200126	Bearing Cup - Inner	1
	1200126	Bearing Cup - Outer	1
7	1170701	Bolt - Special	6
8	1500703	Cage and Cup Ass'y, WR6-S29304A, S29304B, S29304C	1
	1500704	Cage and Cup Ass'y, WR6-S31346A, S31346B, S32167A	1
9	4060705	Shim - .003	A/R

Manufacturers' names, part numbers and model numbers are for reference purposes only. We do not suggest or imply that any item is that of the original manufacturer. (c) 1991 Aftermarket Parts Inc.

# Eaton Differential

REF	AFTERMARKET NO.	DESCRIPTION/COMMENT	QTY
(9)	4060706	Shim - .005	A/R
	4060707	Shim - .010	A/R
	4060708	Shim - .020	A/R
	4060709	Shim - .030	A/R
	10 4130732	Spacer - .623	A/R
	4130733	Spacer - .624	A/R
	4130734	Spacer - .625	A/R
	4130735	Spacer - .626	A/R
	4130736	Spacer - .627	A/R
	4130737	Spacer - .628	A/R
	4130738	Spacer - .629	A/R
	4130739	Spacer - .630	A/R
	4130740	Spacer - .631	A/R
	4130741	Spacer - .632	A/R
	4130742	Spacer - .633	A/R
	4130743	Spacer - .634	A/R
	4130744	Spacer - .635	A/R
	4130745	Spacer - .636	A/R
	4130746	Spacer - .637	A/R
	4130747	Spacer - .638	A/R
	4130748	Spacer - .639	A/R
	4130749	Spacer - .640	A/R
	4130750	Spacer - .641	A/R
	4130751	Spacer - .642	A/R
	4130752	Spacer - .643	A/R
	4130753	Spacer - .644	A/R
	4130754	Spacer - .645	A/R
	4130755	Spacer - .646	A/R
	4130756	Spacer - .647	A/R
	4130757	Spacer - .648	A/R
	4130758	Spacer - .649	A/R
	4130759	Spacer - .650	A/R
	4130760	Spacer - .651	A/R
	4130761	Spacer - .652	A/R
	4130762	Spacer - .653	A/R

Manufacturers' names, part numbers and model numbers are for reference purposes only. We do not suggest or imply that any item is that of the original manufacturer. (c) 1991 Aftermarket Parts Inc.

# Eaton Differential

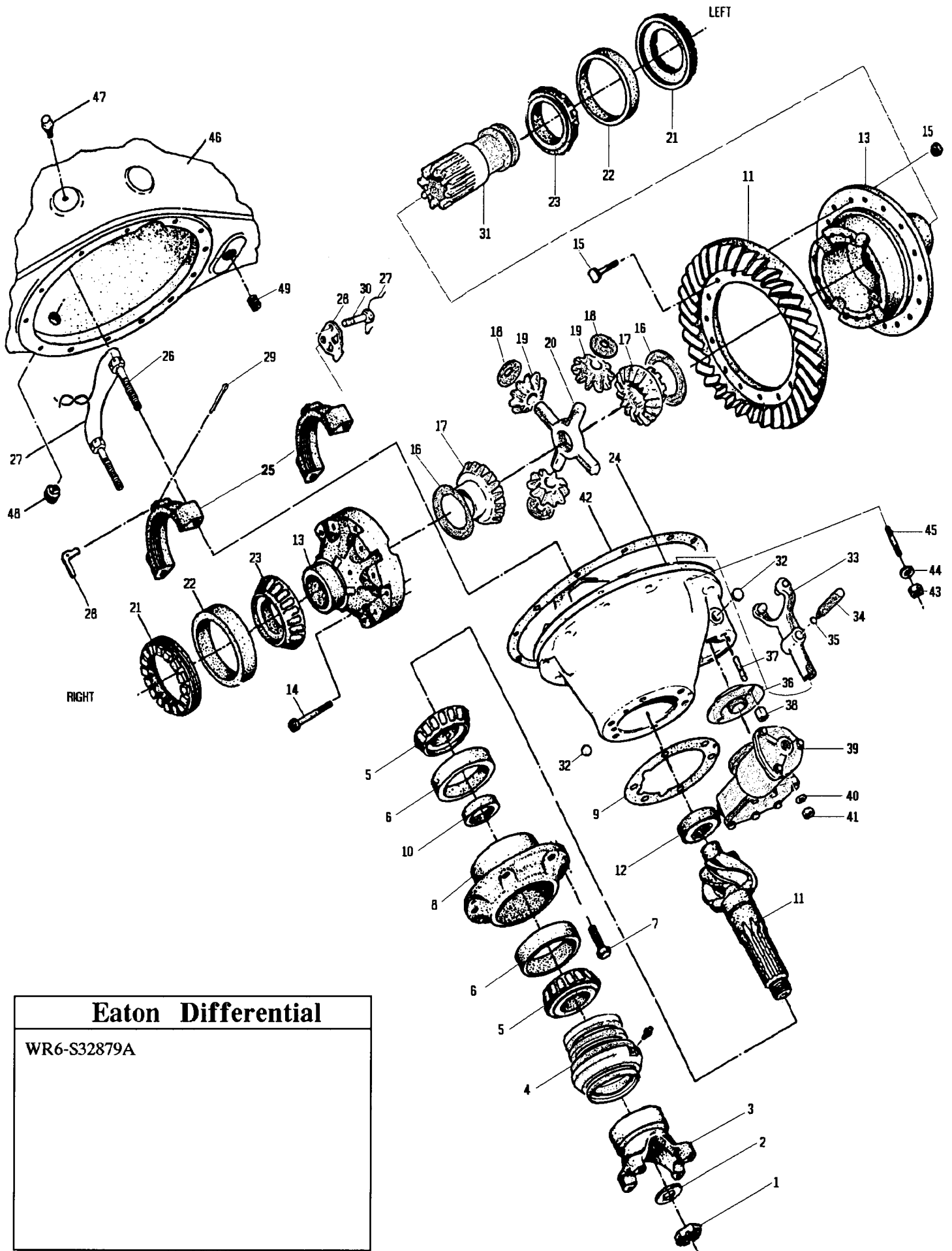
REF	AFTERMARKET NO.	DESCRIPTION/COMMENT	QTY
(10)	4130763	Spacer - .654	A/R
11	2600709	Drive Gear/Pinion 7:43 P50193, RG50192 WR6-S29304A, S29304B, S29304C	1
	2600705	Drive Gear/Pinion 6:37 P119988, RG119987 WR6-S31346A, S31346B, S23167A	1
12	1260105	Rear Bearing	1
13	1540744	Case Ass'y, Differential Case - Plain Half	1 N/A
		Case - Flanged Half	N/A
14	1170704	Bolt	12
15	2870702	Bolt Kit	1
16	3083173	No Spin	1
17	3160704	Adjusting Nut - Right Hand	1
	3160705	Adjusting Nut - Left Hand	1
18	1200151	Bearing Cup - Right Hand	1
	1200150	Bearing Cup - Left Hand	1
19	1220152	Bearing Cone - Right Hand	1
	1220151	Bearing Cone - Left Hand	1
	1540745	Carrier and Cap Ass'y	1
20		Carrier	N/A
21		Cap	N/A
22	1170705	Capscrew	4
23		Lockwire	N/A
24	3030706	Lock - Right Hand	1
	3030707	Lock - Left Hand	1
25	3/16X1	Cotter Pin	1
26	1170706	Capscrew	2
27	3520700	Expansion Plug	2
28		Cover, Shift Fork Opening	N/A
29	3480700	Plate, Cover Protector	1
30	7/16	Washer, Flat	2
31	7/16-14UNCX1 1/4	Capscrew	2
32	Silicone	Gasket	N/A
33	1/2-20 UNF	Nut	12
34		Washer	N/U

Manufacturers' names, part numbers and model numbers are for reference purposes only. We do not suggest or imply that any item is that of the original manufacturer. (c) 1991 Aftermarket Parts Inc.

# Eaton Differential

REF	AFTERMARKET NO.	DESCRIPTION/COMMENT	QTY
35	1/2X2	Stud - Short	8
	1/2X2 1/2	Stud - Long	4
36		Housing and Stud Carrier	N/A
37	1420700	Breather	1
38	3510700	Drain Plug	1
39	3510700	Filler Plug	1

Manufacturers' names, part numbers and model numbers are for reference purposes only. We do not suggest or imply that any item is that of the original manufacturer. (c) 1991 Aftermarket Parts Inc.



<h2>Eaton Differential</h2>
<p>WR6-S32879A</p>



# Eaton Differential

**Model Numbers:**  
WR6-S32879A

REF	AFTERMARKET NO.	DESCRIPTION/COMMENT	QTY
1	1540746	Carrier Ass'y, Diff. (Stamped 122296)	1
	3142202	Nut	1
	4440700	Washer	1
	4482722	Yoke 1480 Series	1
4	2880700	Seal Ass'y	1
5	2180700	Grease Fitting	1
	3922142	Seal - Inner	1
	3922173	Seal - Inner	1
	3922174	Seal - Outer	1
	1220168	Bearing Cone - Inner	1
6	1220168	Bearing Cone - Outer	1
	1200126	Bearing Cup - Inner	1
7	1200126	Bearing Cup - Outer	1
	1170701	Bolt - Special	6
8	1500704	Cage and Cup Ass'y	1
9	4060705	Shim - .003	A/R
	4060706	Shim - .005	A/R
	4060707	Shim - .010	A/R
	4060708	Shim - .020	A/R
	4060709	Shim - .030	A/R
10	4130732	Spacer - .623	A/R
	4130733	Spacer - .624	A/R
	4130734	Spacer - .625	A/R
	4130735	Spacer - .626	A/R
	4130736	Spacer - .627	A/R
	4130737	Spacer - .628	A/R
	4130738	Spacer - .629	A/R
	4130739	Spacer - .630	A/R
	4130740	Spacer - .631	A/R
	4130741	Spacer - .632	A/R

Manufacturers' names, part numbers and model numbers are for reference purposes only. We do not suggest or imply that any item is that of the original manufacturer. (c) 1991 Aftermarket Parts Inc.

# Eaton Differential

REF	AFTERMARKET NO.	DESCRIPTION/COMMENT	QTY
(10)	4130742	Spacer - .633	A/R
	4130743	Spacer - .634	A/R
	4130744	Spacer - .635	A/R
	4130745	Spacer - .636	A/R
	4130746	Spacer - .637	A/R
	4130747	Spacer - .638	A/R
	4130748	Spacer - .639	A/R
	4130749	Spacer - .640	A/R
	4130750	Spacer - .641	A/R
	4130751	Spacer - .642	A/R
	4130752	Spacer - .643	A/R
	4130753	Spacer - .644	A/R
	4130754	Spacer - .645	A/R
	4130755	Spacer - .646	A/R
	4130756	Spacer - .647	A/R
	4130757	Spacer - .648	A/R
	4130758	Spacer - .649	A/R
	4130759	Spacer - .650	A/R
	4130760	Spacer - .651	A/R
	4130761	Spacer - .652	A/R
	4130762	Spacer - .653	A/R
	4130763	Spacer - .654	A/R
11	2600705	Drive Gear/Pinion 6:37 P119988, RG119987	1
12	1260105	Rear Bearing	1
13	1540744	Case Ass'y, Differential	1
		Case - Plain Half	N/A
		Case - Flanged Half	N/A
14	1170704	Bolt	12
15	2870702	Bolt Kit	1
16	4420705	Thrust Washer, Side Gear	2
17	2540702	Gear, Side	2
18	4420706	Thrust Washer, Pinion Gear	4
19	2540703	Gear, Pinion	4
20	4160701	Spider	1
21	3160704	Adjusting Nut - Right Hand	1

Manufacturers' names, part numbers and model numbers are for reference purposes only. We do not suggest or imply that any item is that of the original manufacturer. (c) 1991 Aftermarket Parts Inc.

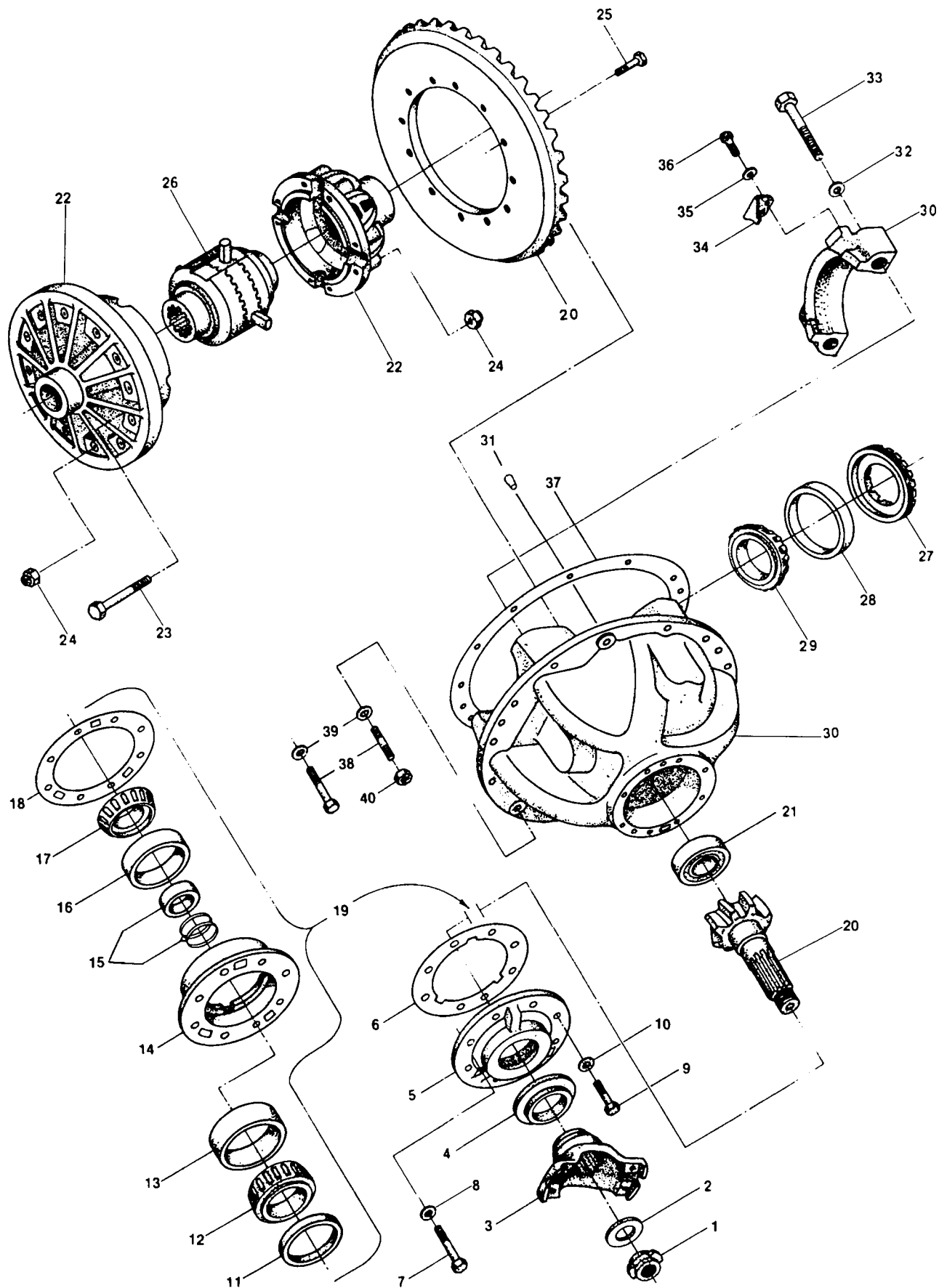


# Eaton Differential

REF	AFTERMARKET NO.	DESCRIPTION/COMMENT	QTY
(21)	3160705	Adjusting Nut - Left Hand	1
22	1200151	Bearing Cup - Right Hand	1
	1200150	Bearing Cup - Left Hand	1
23	1220169	Bearing Cone - Right Hand	1
	1220151	Bearing Cone - Left Hand	1
24	1540746	Carrier and Cap Ass'y	1
		Carrier	N/A
25		Cap	N/A
26	1170705	Capscrew	4
27		Lockwire	N/A
28	3030706	Lock - Right Hand	1
	3030707	Lock - Left Hand	1
29	3/16X1	Cotter Pin	1
30	1170706	Capscrew	2
31	2540704	Gear, Sliding Clutch	1
32	3520700	Expansion Plug	2
33	2250700	Shift Fork Ass'y	1
34	4050700	Shaft Ass'y, Shift Fork	1
35	3170701	O'Ring	1
36	3970700	Seal and Spring Ass'y	1
37	4280700	Stud	2
38	4140700	Spacer	2
39	4570700	Electric Shifter Ass'y	1
40	4440702	Washer, Flat	2
41	3110700	Nut	2
42	Silicone	Gasket	N/A
43	1/2-20 UNF	Nut	12
44	1/2	Washer, Lock	12
45	1/2X2	Stud - Short	8
	1/2X2 1/2	Stud - Long	4
46		Housing and Stud Carrier	N/A
47	1420700	Breather	1
48	3510700	Drain Plug	1
49	3510700	Filler Plug	1

Manufacturers' names, part numbers and model numbers are for reference purposes only. We do not suggest or imply that any item is that of the original manufacturer. (c) 1991 Aftermarket Parts Inc.





## Franklin/Soma Differential

F175

# Franklin/Soma Differential

**Model Numbers:**  
F175

\*Effective Axle S/N 0493V thru 1016V and S/N 2037  
\*\*Effective Axle S/N 0001V thru 0429V  
\*\*\*Ratio change 6:41 to 6:38 change out both gearsets.

REF	AFTERMARKET NO.	DESCRIPTION/COMMENT	QTY
	1541000	Differential Ass'y*	1
	1541001	Differential Ass'y**	1
	1541002	Differential Ass'y*	1
1	3110300	Nut	1
2	4440301	Washer	1
3	4481000	Yoke and Slinger, 5C	1
4	4121000	Slinger	1
5	1740300	Oil Seal and Retainer	1
6	Silicone	Gasket	1
7	1170302	Bolt	5
8	4430300	Washer, Lock	5
9	1170303	Bolt	1
10	4430301	Washer, Lock	1
11	3922504	Seal, Oil	1
12	1220124	Bearing Cone - Outer	1
13	1200123	Bearing Cup - Outer	1
14	1500301	Cage and Cup	1
15	2890301	Shim and Spacer Kit	1
16	1200127	Bearing Cup - Inner	1
17	1220126	Bearing Cone - Inner	1
18'	4060300	Shim - .004	A/R
	4060301	Shim - .007	A/R
	4060302	Shim - .010	A/R
19	1500302	Cage Ass'y	1
20	2600307	Drive Gear/Pinion***6:38 P106105, RG106104	1
21	1260103	Rear Bearing	1
22	1540301	Case Ass'y, Differential	1
23	1170304	Bolt	8
24	3140304	Nut, Ring Gear	20
25	1170300	Bolt, Ring Gear	12

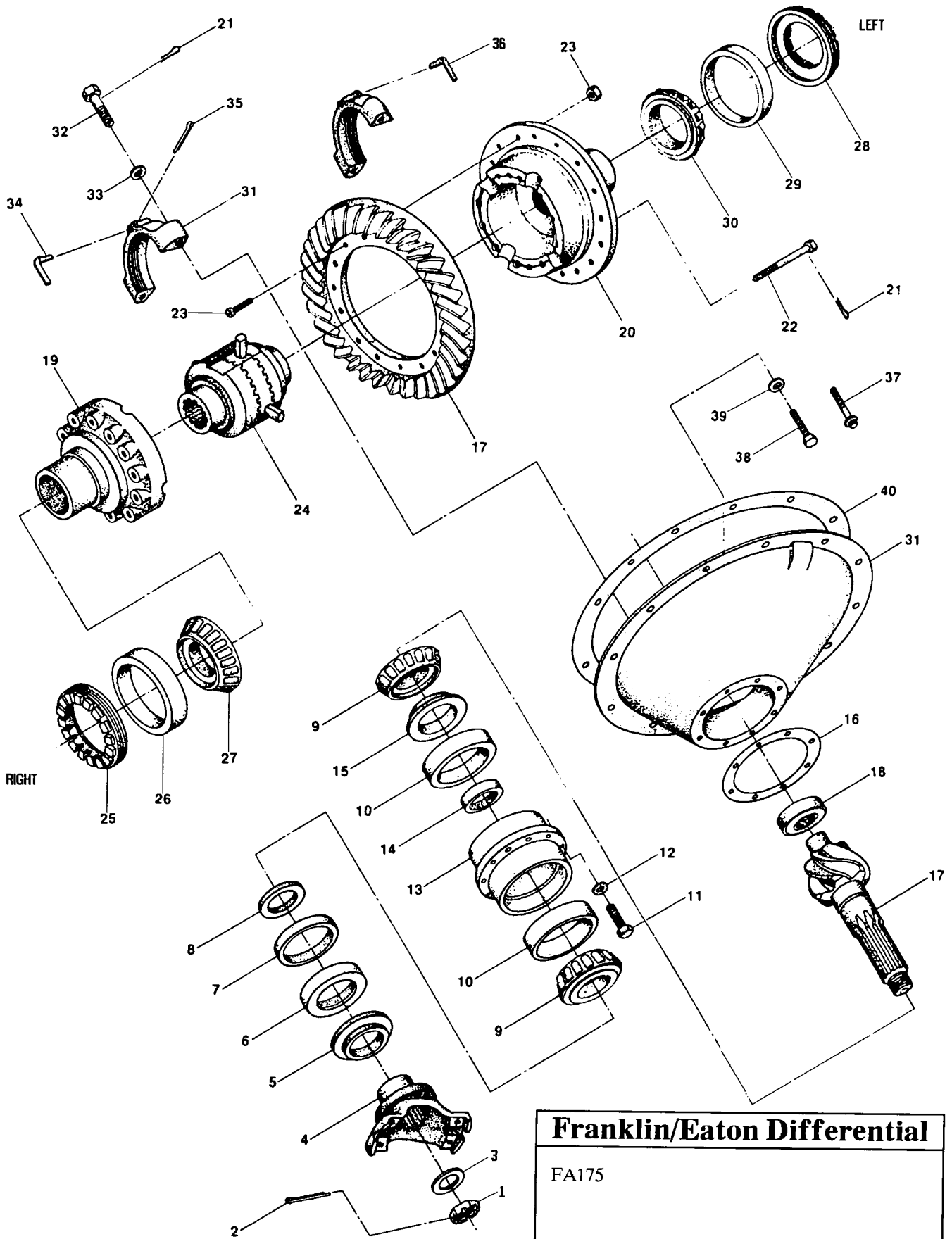
Manufacturers' names, part numbers and model numbers are for reference purposes only. We do not suggest or imply that any item is that of the original manufacturer. (c) 1994 Aftermarket Parts Inc.

# Franklin/Soma Differential

\*Effective Axle S/N 0493V thru 1016V and S/N 2037 \*\*Effective Axle S/N 0001V thru 0492V  
 \*\*\*Ratio Change 6:41 to 6:38 change out both Diff.

REF	AFTERMARKET NO.	DESCRIPTION/COMMENT	QTY
26	3083165	No Spin	1
27	3160300	Adjusting Nut	2
28	1200107	Bearing Cup	2
29	1220107	Bearing Cone	2
30	1541003	Carrier and Cap Ass'y*	1
	1541004	Carrier and Cap Ass'y**	1
31	3301000	Dowel, Tapered*	3
32	4440307	Washer, Flat	4
33	1170305	Bolt	4
34	3030303	Lock	2
35	4430303	Washer, Lock	2
36	1170306	Bolt	2
37	Silicone	Gasket	1
38	4281000	Stud*	14
	1171000	Bolt**	14
39	4431000	Washer, Lock*	14
	4431001	Washer, Lock**	14
40	3141001	Nut*	14

Manufacturers' names, part numbers and model numbers are for reference purposes only. We do not suggest or imply that any item is that of the original manufacturer. (c) 1991 Aftermarket Parts Inc.



**Franklin/Eaton Differential**  
 FA175



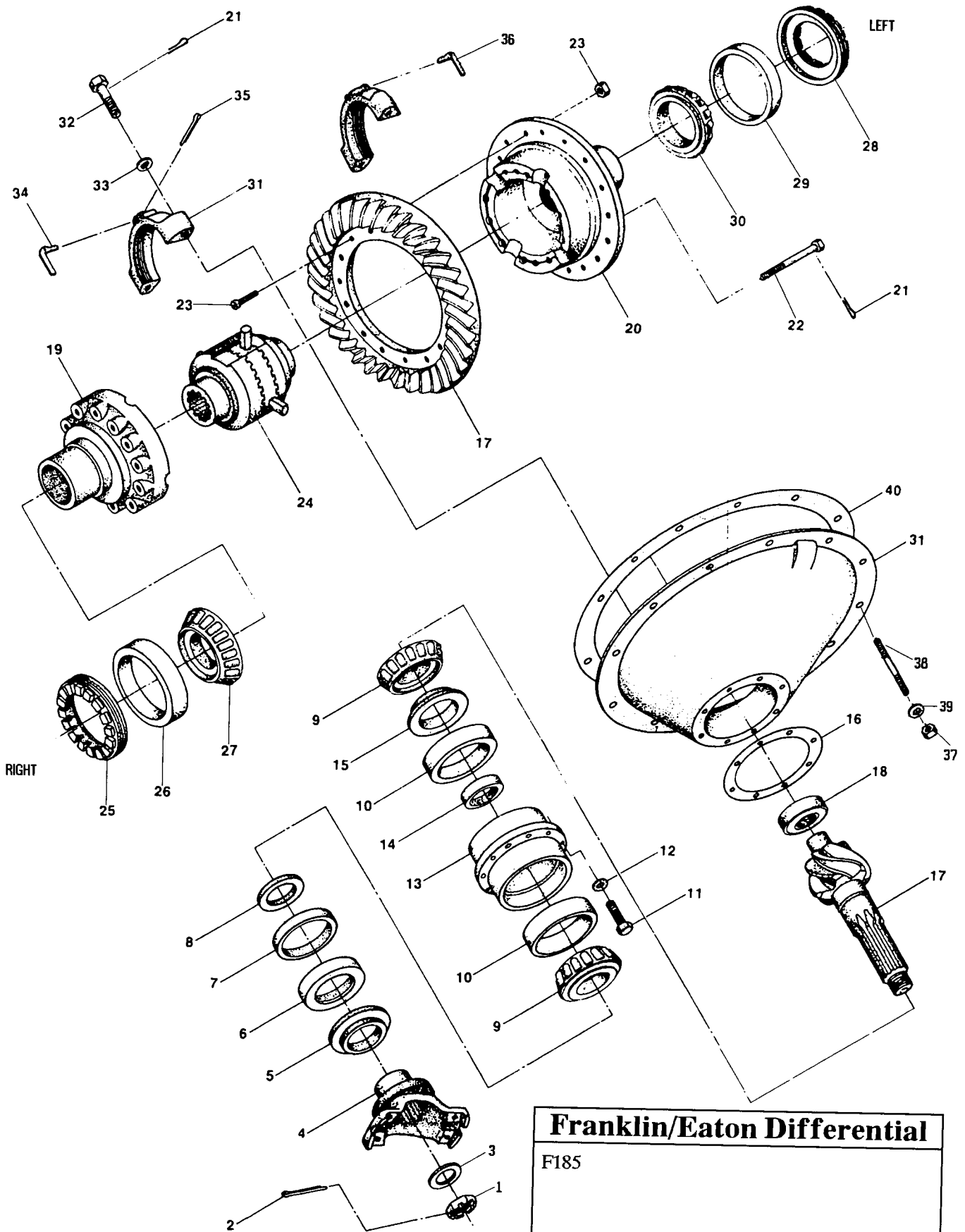
# Franklin/Eaton Differential

**Model Numbers:**  
FA175

REF	AFTERMARKET NO.	DESCRIPTION/COMMENT	QTY
	1540724	Differential Ass'y	1
1	3142201	Nut	1
2	3370701	Cotter Key	1
3	4440700	Washer	1
4	4483700	Yoke and Slinger, 5C	1
5		Oil Seal and Retainer	N/U
6	3922113	Seal, Oil	1
7		Strip Sealer	N/U
8	3920706	Seal, Cork	1
9	1220123	Bearing Cone	2
10	1200123	Bearing Cup	2
11	1170702	Bolt	6
12	4430701	Washer, Lock	6
13	1500702	Cage and Cup	1
14		Washer	N/U
15	4130703	Spacer - .516	A/R
	4130706	Spacer - .519	A/R
	4130709	Spacer - .522	A/R
	4130712	Spacer - .525	A/R
	4130715	Spacer - .528	A/R
	4130718	Spacer - .531	A/R
	4130721	Spacer - .534	A/R
	4130724	Spacer - .537	A/R
	4130726	Spacer - .539	A/R
16	4060700	Shim - .003	A/R
	4060701	Shim - .005	A/R
	4060702	Shim - .010	A/R
	4060703	Shim - .020	A/R
	4060704	Shim - .030	A/R
17	2600700	Drive Gear/Pinion 6:40 P40607, RG40606	1

Manufacturers' names, part numbers and model numbers are for reference purposes only. We do not suggest or imply that any item is that of the original manufacturer. (c) 1991 Aftermarket Parts Inc.







## Franklin/Eaton Differential

Model Numbers:  
F185

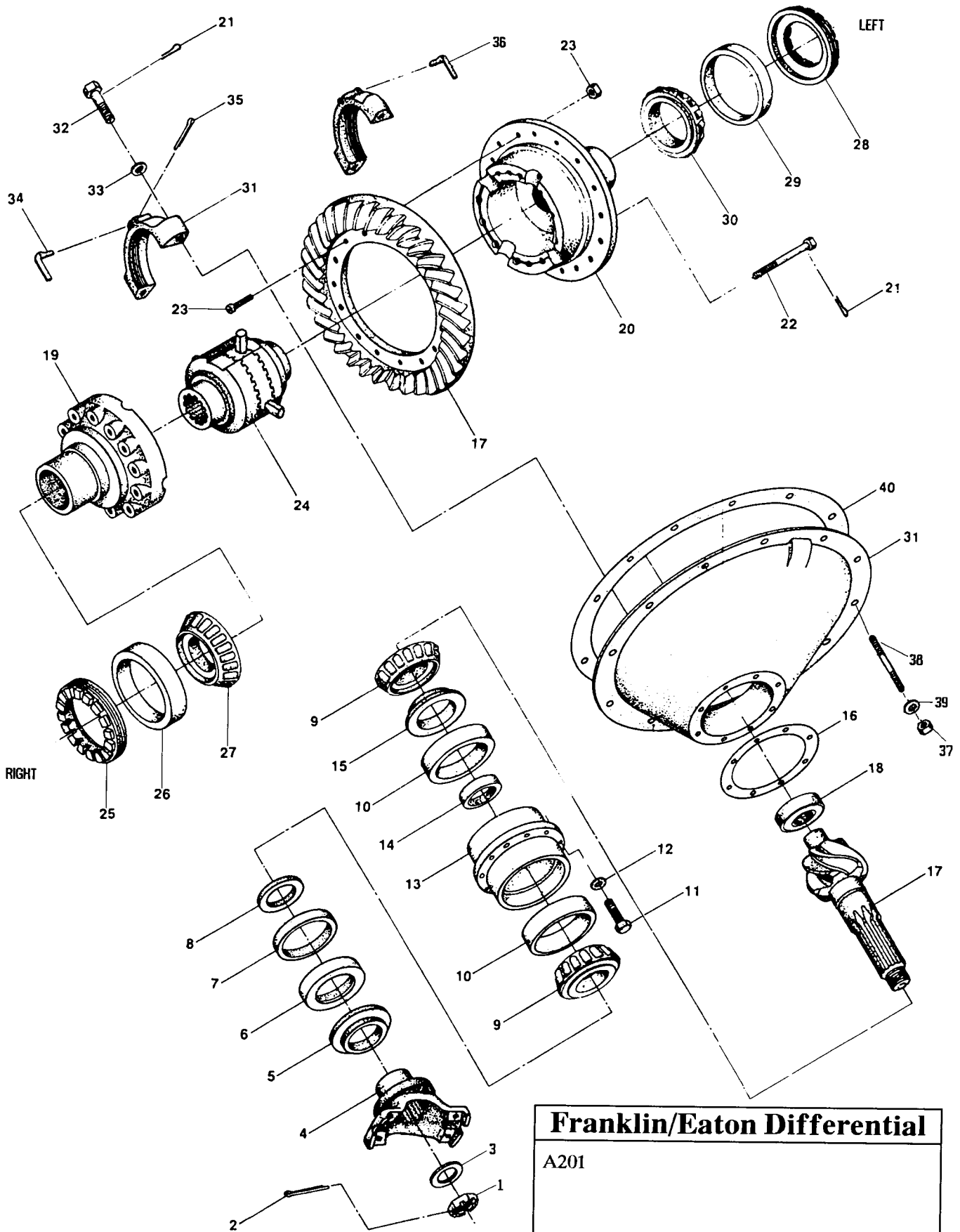
REF	AFTERMARKET NO.	DESCRIPTION/COMMENT	QTY
	1540727	Differential Ass'y	1
	1540728	Differential Ass'y	1
	1540729	Differential Ass'y	1
	1540730	Differential Ass'y	1
1	3142201	Nut	1
2		Cotter Key	N/U
3	4440700	Washer	1
4	4483701	Yoke and Slinger, 5C	1
	4483702	Yoke and Slinger, 6C	1
5		Oil Seal and Retainer	1
6	3921002	Seal, Oil	1
7	3921003	Seal, Oil	1
8	4420704	Washer, Thrust	1
9	1220137	Bearing Cone	2
10	1200138	Bearing Cup	2
11	1170700	Bolt	6
12	4440701	Washer	6
13	1500700	Cage and Cup	1
14		Washer	N/U
15	4130703	Spacer - .516	A/R
	4130706	Spacer - .519	A/R
	4130709	Spacer - .522	A/R
	4130712	Spacer - .525	A/R
	4130715	Spacer - .528	A/R
	4130718	Spacer - .531	A/R
	4130721	Spacer - .534	A/R
	4130724	Spacer - .537	A/R
	4130726	Spacer - .539	A/R
16	4060700	Shim - .003	A/R
	4060701	Shim - .005	A/R

Manufacturers' names, part numbers and model numbers are for reference purposes only. We do not suggest or imply that any item is that of the original manufacturer. (c) 1991 Aftermarket Parts Inc.

# Franklin/Eaton Differential

REF	AFTERMARKET NO.	DESCRIPTION/COMMENT	QTY
(16)	4060702	Shim - .010	A/R
	4060703	Shim - .020	A/R
	4060704	Shim - .030	A/R
17		Drive Gear/Pinion 6:38 - 7/16" Bolt Dia. P74051, RG77878	1
	2600704	Drive Gear/Pinion 6:38 - 1/2" Bolt Dia. P74051, RG120061	1
18	1260102	Rear Bearing	1
	1540702	Case Ass'y, Differential - 1/2" Bolt Dia	1
19		Case - Plain Half	N/A
20		Case - Flanged Half	N/A
21		Lockwire	N/U
	7/16-14UNCX1 15/16	Bolt - Short	4
22	7/16-14UNCX2 9/16	Bolt - Long	8
23	2870700	Bolt Kit - 7/16" Bolt Dia.	1
	2870701	Bolt Kit - 1/2" Bolt Dia.	1
24	3083152	No Spin (19 Splines)	1
	3083170	No Spin (34 Splines)	1
25	3160701	Adjusting Nut - Right Hand	1
26	1200113	Bearing Cup	1
27	1220113	Bearing Cone	1
28	3160701	Adjusting Nut - Left Hand	1
29	1200113	Bearing Cup	1
30	1220113	Bearing Cone	1
31	1540700	Carrier and Cap Ass'y	1
32	5/8-11UNCX3 7/16	Bolt	4
33		Washer, Flat	N/U
34	3030701	Lock	1
35	3/16X1	Cotter Pin	2
36	3030701	Lock	1
37	7/16-20 UNF	Nut	12
38	7/16X2	Stud	12
39	7/16	Washer, Lock	12
40	Silicone	Gasket	1

Manufacturers' names, part numbers and model numbers are for reference purposes only. We do not suggest or imply that any item is that of the original manufacturer. (c) 1991 Aftermarket Parts Inc.



**Franklin/Eaton Differential**  
A201



# Franklin/Eaton Differential

**Model Numbers:**  
A201

REF	AFTERMARKET NO.	DESCRIPTION/COMMENT	QTY
	1540724	Differential Ass'y	1
	1540731	Differential Ass'y	1
1	3142201	Nut	1
2		Cotter Key	N/U
3	4440700	Washer	1
4	4483703	Yoke and Slinger, 5C	1
	4483704	Yoke and Slinger, 6C	1
5	1740700	Oil Seal and Retainer	1
6	3922113	Seal, Oil	1
7	3920707	Seal, Felt	1
8	3920706	Seal, Cork	1
9	1220123	Bearing Cone	2
10	1200123	Bearing Cup	2
11	1170702	Bolt	6
12	4440701	Washer, Lock	6
13	1500702	Cage and Cup	1
14	4130703	Spacer - .516	A/R
	4130706	Spacer - .519	A/R
	4130709	Spacer - .522	A/R
	4130712	Spacer - .525	A/R
	4130715	Spacer - .528	A/R
	4130718	Spacer - .531	A/R
	4130721	Spacer - .534	A/R
	4130724	Spacer - .537	A/R
	4130726	Spacer - .539	A/R
15		Washer	N/U
16	4060700	Shim - .003	A/R
	4060701	Shim - .005	A/R
	4060702	Shim - .010	A/R
	4060703	Shim - .020	A/R

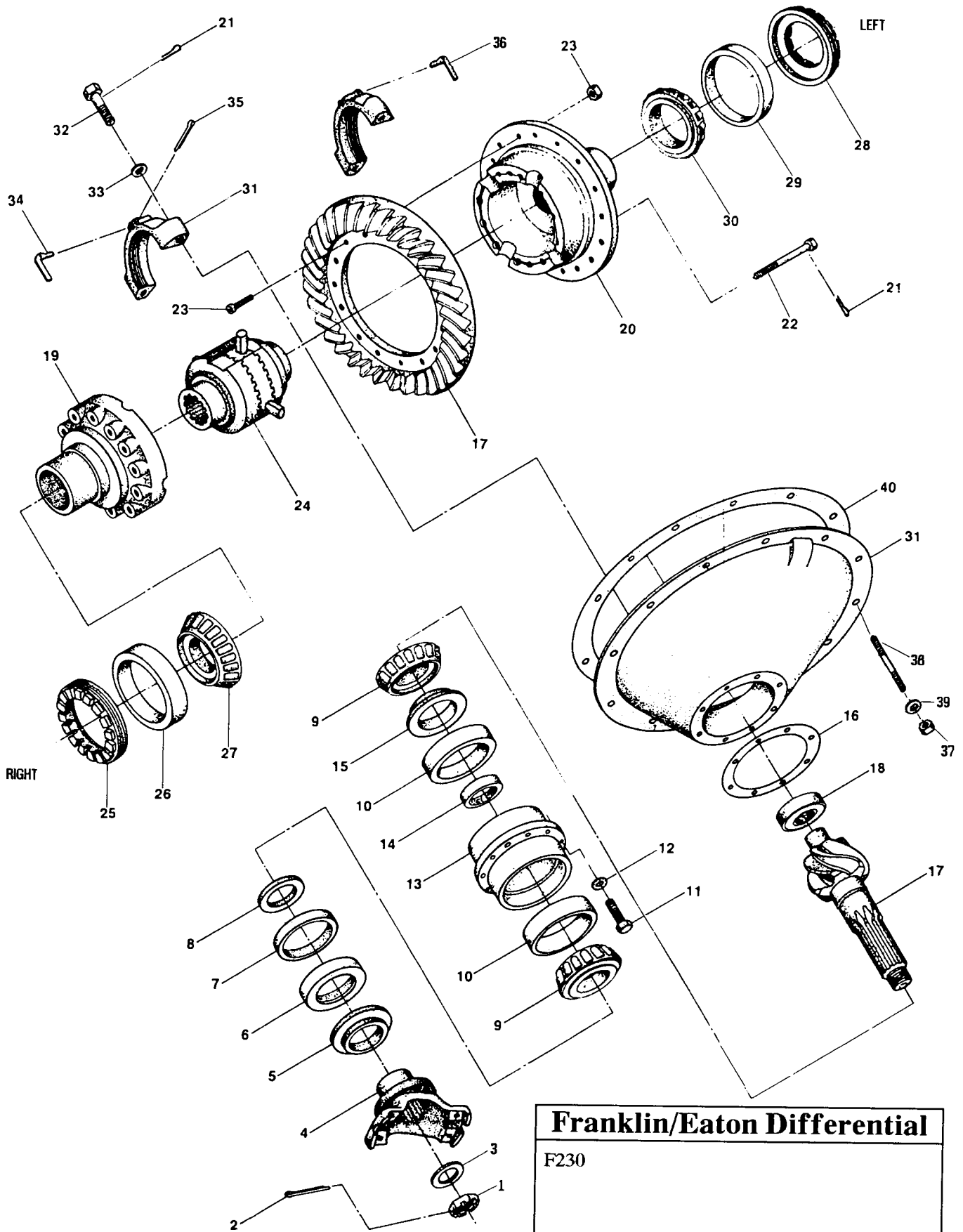
Manufacturers' names, part numbers and model numbers are for reference purposes only. We do not suggest or imply that any item is that of the original manufacturer. (c) 1991 Aftermarket Parts Inc.

# Franklin/Eaton Differential

REF	AFTERMARKET NO.	DESCRIPTION/COMMENT	QTY
(16)	4060704	Shim - .030	A/R
17	2600700	Drive Gear/Pinion 6:40 P40607, RG40606	1
18	1260102	Rear Bearing	1
	1540725	Case Ass'y, Differential	1
19		Case - Plain Half	N/A
20		Case - Flanged Half	N/A
21		Lockwire	N/U
22	7/16-14UNCX1 15/16	Bolt - Short	4
	7/16-14UNCX2 9/16	Bolt - Long	4
23	2870700	Bolt Kit - 7/16" Bolt Dia.	8
24	3083152	No Spin	1
25	3160701	Adjusting Nut - Right Hand	1
26	1200113	Bearing Cup	1
27	1220113	Bearing Cone	1
28	3160701	Adjusting Nut - Left Hand	1
29	1200113	Bearing Cup	1
30	1220113	Bearing Cone	1
31	1540726	Carrier and Cap Ass'y	1
32		Bolt	4
33		Washer, Flat	N/U
34	3030704	Lock - Right Hand	1
35	3/16X1	Cotter Pin	2
36	3030704	Lock - Left Hand	1
37		Nut	N/U
38	7/16-14UNCX1 1/2	Bolt	12
39	7/16	Washer, Lock	12
40	Silicone	Gasket	1

Manufacturers' names, part numbers and model numbers are for reference purposes only. We do not suggest or imply that any item is that of the original manufacturer. (c) 1991 Aftermarket Parts Inc.





**Franklin/Eaton Differential**  
**F230**



# Franklin/Eaton Differential

Model Numbers:  
F230

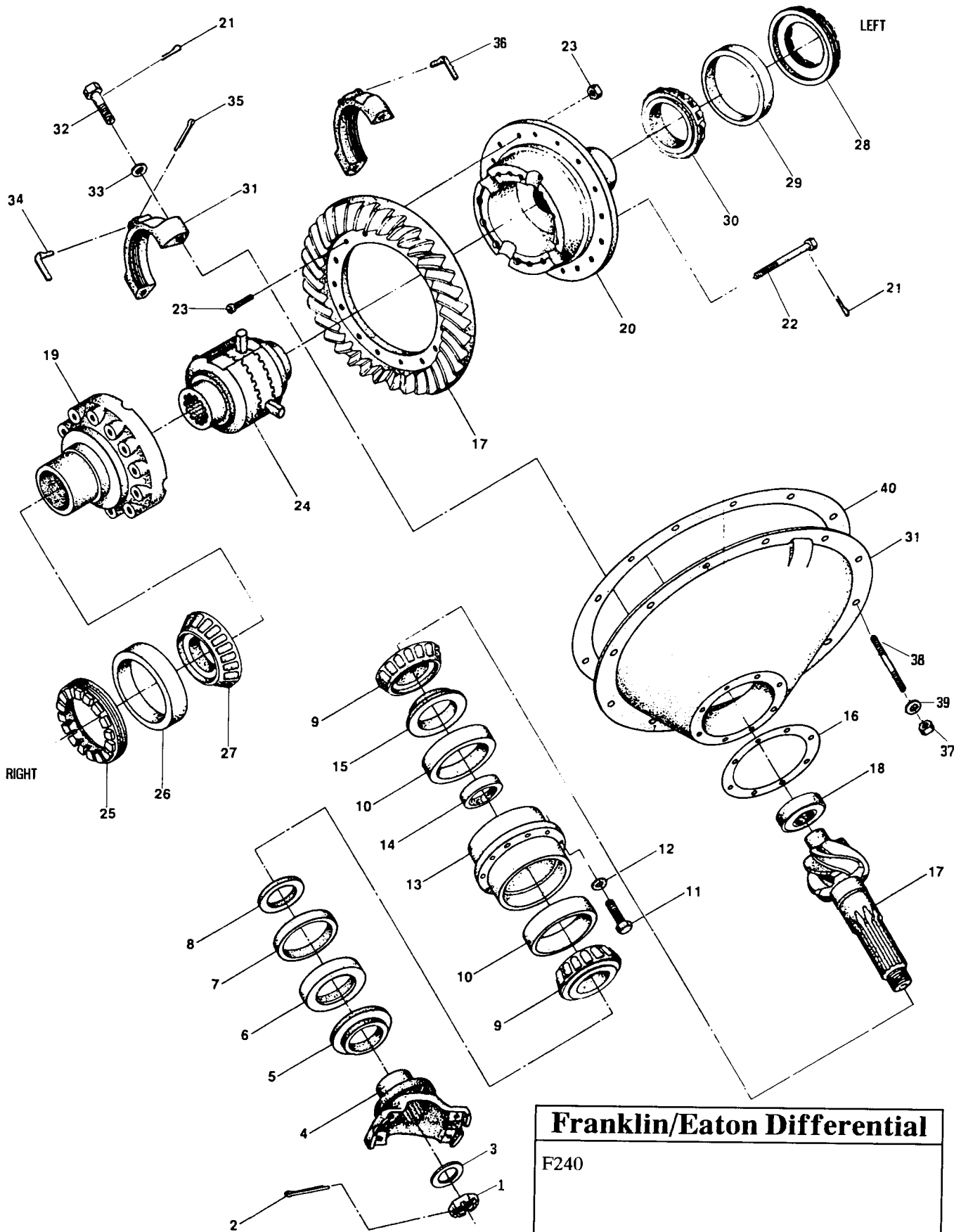
REF	AFTERMARKET NO.	DESCRIPTION/COMMENT	QTY
	1540732	Differential Ass'y	1
	1540733	Differential Ass'y	1
	1540734	Differential Ass'y	1
1	3142202	Nut	1
2		Cotter Key	N/U
3	4440700	Washer	1
4	4483700	Yoke and Slinger, 5C	1
	4483705	Yoke and Slinger, 6C	1
	4483706	Yoke and Slinger, 7C	1
5	3922148	Oil Seal and Retainer	1
6		Seal, Oil	N/U
7		Strip Sealer	N/U
8		Washer	N/U
9	1220137	Bearing Cone	2
10	1200138	Bearing Cup	2
11	1170700	Bolt	6
12		Washer, Lock	N/U
13	1500703	Cage and Cup Ass'y	1
14		Washer	N/U
15	4130703	Spacer - .516	A/R
	4130706	Spacer - .519	A/R
	4130709	Spacer - .522	A/R
	4130712	Spacer - .525	A/R
	4130715	Spacer - .528	A/R
	4130718	Spacer - .531	A/R
	4130721	Spacer - .534	A/R
	4130724	Spacer - .537	A/R
	4130726	Spacer - .539	A/R
16	4060700	Shim - .003	A/R
	4060701	Shim - .005	A/R

Manufacturers' names, part numbers and model numbers are for reference purposes only. We do not suggest or imply that any item is that of the original manufacturer. (c) 1991 Aftermarket Parts Inc.

# Franklin/Eaton Differential

REF	AFTERMARKET NO.	DESCRIPTION/COMMENT	QTY
(16)	4060702	Shim - .010	A/R
	4060703	Shim - .020	A/R
	4060704	Shim - .030	A/R
17	2600703	Drive Gear/Pinion 5:38 P48702, RG48701	1
18	1260105	Rear Bearing	1
19	1540701	Differential Case Ass'y	1
20		Case - Plain Half	N/A
21		Case - Flanged Half	N/A
22		Lockwire	N/U
		Bolt - Short	N/A
23	2870702	Bolt - Long	N/A
24	3083161	Bolt Kit	1
25	3160701	No Spin	1
26	1200113	Adjusting Nut - Right Hand	1
		Bearing Cup	1
27	1220113	Bearing Cone	1
28	3160700	Adjusting Nut - Left Hand	1
29	1200128	Bearing Cup	1
30	1220128	Bearing Cone	1
31	1540735	Carrier and Cap Ass'y	1
32	1170703	Bolt	4
33		Washer, Flat	N/U
34	3030701	Lock - Right Hand	1
35	3/16X1	Cotter Pin	1
	3/16X1 1/4	Cotter Pin	1
36	3030705	Lock - Left Hand	1
37		Nut	N/U
38	1/2UNCX1 3/4	Bolt	12
39	1/2	Washer, Lock	12
40	Silicone	Gasket	1

Manufacturers' names, part numbers and model numbers are for reference purposes only. We do not suggest or imply that any item is that of the original manufacturer. (c) 1991 Aftermarket Parts Inc.



**Franklin/Eaton Differential**  
 F240



# Franklin/Eaton Differential

**Model Numbers:**  
F240

REF	AFTERMARKET NO.	DESCRIPTION/COMMENT	QTY
	1540736	Differential Ass'y	N/A
	1540737	Differential Ass'y	N/A
1	3142202	Nut	1
2		Cotter Key	N/U
3	4440700	Washer	1
4	4483705	Yoke and Slinger, 6C	1
	4483706	Yoke and Slinger, 7C	1
5	3922148	Oil Seal and Retainer	1
6		Seal, Oil	N/U
7		Strip Sealer	N/U
8		Washer	N/U
9	1220137	Bearing Cone	2
10	1200138	Bearing Cup	2
11	1170700	Bolt	10
12		Washer, Lock	N/U
13	1500703	Cage and Cup Ass'y	1
14		Washer	N/U
15	4130703	Spacer - .516	A/R
	4130706	Spacer - .519	A/R
	4130709	Spacer - .522	A/R
	4130712	Spacer - .525	A/R
	4130715	Spacer - .528	A/R
	4130718	Spacer - .531	A/R
	4130721	Spacer - .534	A/R
	4130724	Spacer - .537	A/R
16	4130726	Spacer - .539	A/R
	4060700	Shim - .003	A/R
	4060701	Shim - .005	A/R
	4060702	Shim - .010	A/R
	4060703	Shim - .020	A/R

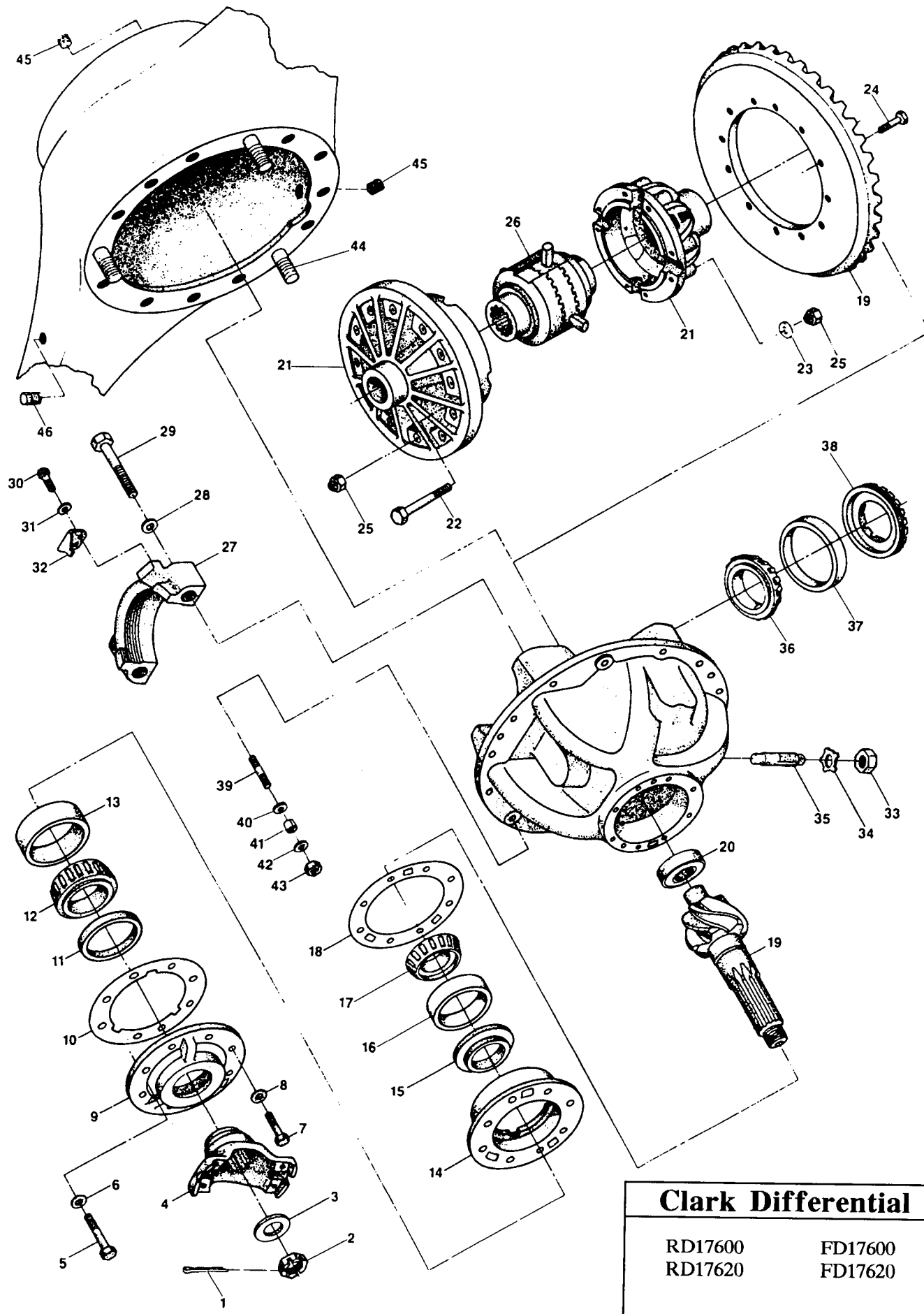
Manufacturers' names, part numbers and model numbers are for reference purposes only. We do not suggest or imply that any item is that of the original manufacturer. (c) 1991 Aftermarket Parts Inc.

# Franklin/Eaton Differential

REF	AFTERMARKET NO.	DESCRIPTION/COMMENT	QTY
(16)	4060704	Shim - .030	A/R
17	2600702	Drive Gear/Pinion 6:39 P48430, RG50194	1
18	1260105	Rear Bearing	1
	1540701	Differential Case Ass'y	1
19		Case - Plain Half	N/A
20		Case - Flanged Half	N/A
21		Lockwire	N/U
22		Bolt - Short	N/A
		Bolt - Long	N/A
23	2870702	Bolt Kit	1
24	3083161	No Spin	1
25	3160701	Adjusting Nut - Right Hand	1
26	1200113	Bearing Cup - Right Hand	1
27	1220113	Bearing Cone - Right Hand	1
28	3160700	Adjusting Nut - Left Hand	1
29	1200128	Bearing Cup - Left Hand	1
30	1220128	Bearing Cone - Left Hand	1
31	1540735	Carrier and Cap Ass'y	1
32	1170703	Bolt	4
33		Washer, Flat	N/U
34	3030701	Lock - Right Hand	1
35	3/16X1	Cotter Pin	1
	3/16X1 1/4	Cotter Pin	1
36	3030705	Lock - Left Hand	1
37		Nut	N/U
38	1/2UNCX1 3/4	Bolt	12
39	1/2	Washer, Lock	12
40	Silicone	Gasket	1

Manufacturers' names, part numbers and model numbers are for reference purposes only. We do not suggest or imply that any item is that of the original manufacturer. (c) 1991 Aftermarket Parts Inc.





<b>Clark Differential</b>	
RD17600	FD17600
RD17620	FD17620

Manufacturers' names, part numbers and model numbers are for reference purposes only. We do not suggest or imply that any item is that of the original manufacturer. ©1991 Aftermarket Parts, Inc.



# Clark Differential

**Model Numbers:**

FD17600	FD17620
RD17600	RD17620

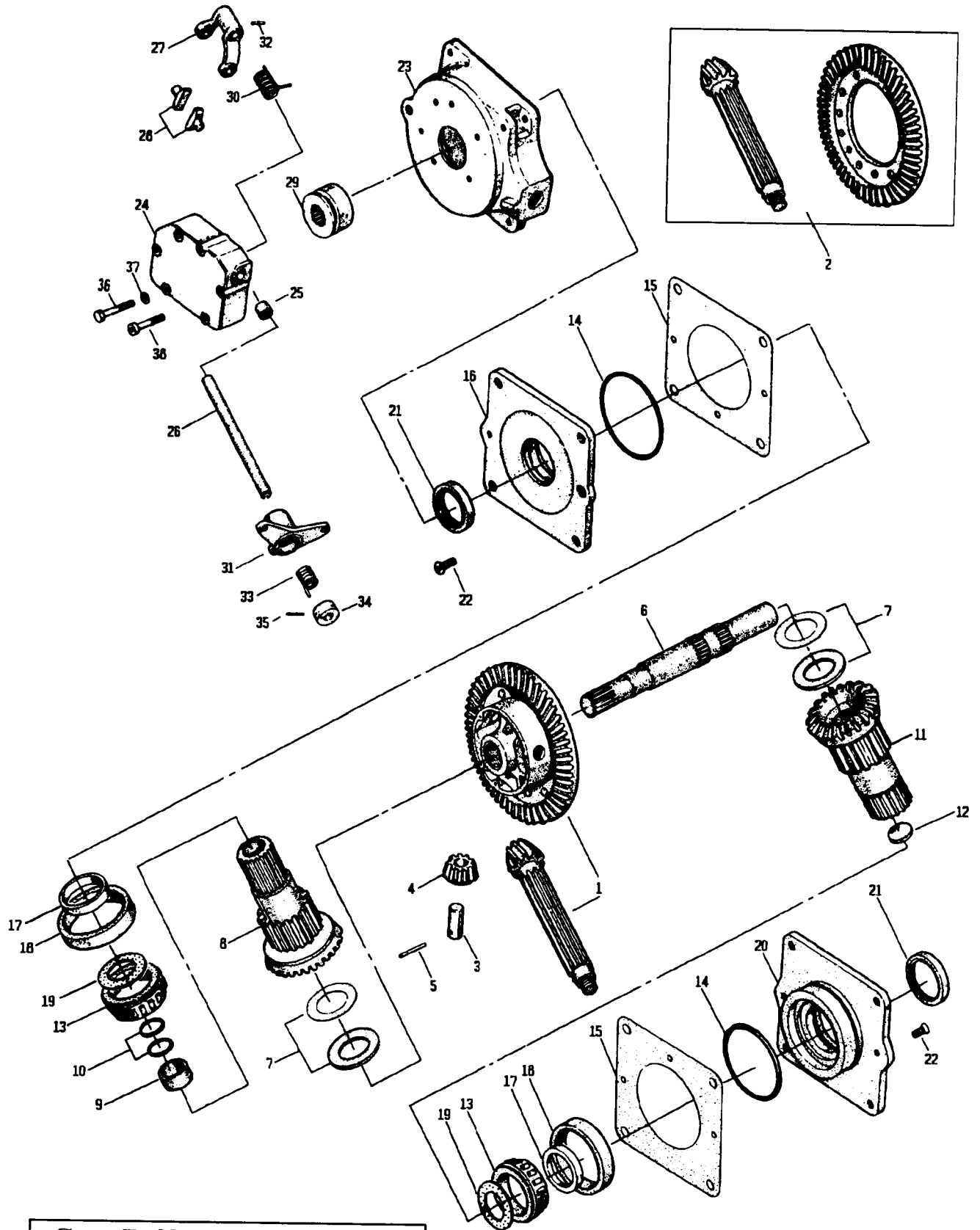
REF	AFTERMARKET NO.	DESCRIPTION/COMMENT	QTY
	1540300	Carrier Ass'y, Differential	1
1	3370301	Cotter Key	1
2	3110300	Nut	1
3	4440301	Washer	1
4	4540300	Yoke, Pinion	1
5	1170302	Bolt	5
6	4430300	Washer, Lock	5
7	1170303	Bolt	1
8	4430301	Washer, Lock	1
9	1740300	Oil Seal and Retainer	1
10	Silicone	Gasket	1
11	3922123	Seal, Oil	1
12	1502095	Bearing Cone - Outer	1
13	1200123	Bearing Cup - Outer	1
14	1500301	Cage and Cup	1
15	2890301	Shim and Spacer Kit	1
16	1200127	Bearing Cup - Inner	1
17	1220126	Bearing Cone - Inner	1
18	4060300	Shim - .004	A/R
	4060301	Shim - .007	A/R
19	4060302	Shim - .010	A/R
	2600307	Drive Gear/Pinion 6:38 P106105, RG106104 RD17600	1
	2600308	Drive Gear/Pinion 6:38 P106078, RG106077 FD17600	1
	2600300	Drive Gear/Pinion 7:37 P106041, RG106040 RD17620	1
	2600306	Drive Gear/Pinion 7:37 P118152, RG118150 FD17620	1
20	1260103	Rear Bearing	1

Manufacturers' names, part numbers and model numbers are for reference purposes only. We do not suggest or imply that any item is that of the original manufacturer. (c) 1991 Aftermarket Parts Inc.

# Clark Differential

REF	AFTERMARKET NO.	DESCRIPTION/COMMENT	QTY
21	1540301	Case Ass'y, Differential	1
22	1170304	Bolt	8
23	4440308	Washer, Flat	8
24	1170300	Bolt, Ring Gear	12
25	3140304	Nut, Ring Gear	20
26	3083151	No Spin (16 Coarse Spline)	1
	3083166	No Spin (39 Fine Spline)	1
27	1540302	Carrier and Cap Ass'y	1
28	4440307	Washer, Flat	4
29	1170305	Bolt	4
30	1170306	Bolt	2
31	4430303	Washer, Lock	2
32	3030303	Lock	2
33	3140305	Nut, Lock	1
34	3030304	Lock	1
35	3880300	Screw, Adjusting	1
36	1220107	Bearing Cone	2
37	1200107	Bearing Cup	2
38	3160300	Adjusting Nut	2
39	4280302	Stud	11
40	4440308	Washer, Flat	11
41	3300300	Dowel	3
42	4440308	Washer, Flat	3
43	3140306	Nut	14
44	4280302	Stud	3
45	3500302	Drain Plug	2
46	1420301	Breather Ass'y	1

Manufacturers' names, part numbers and model numbers are for reference purposes only. We do not suggest or imply that any item is that of the original manufacturer. (c) 1991 Aftermarket Parts Inc.



**Case Differential**  
580B CK with lock



## Case Differential

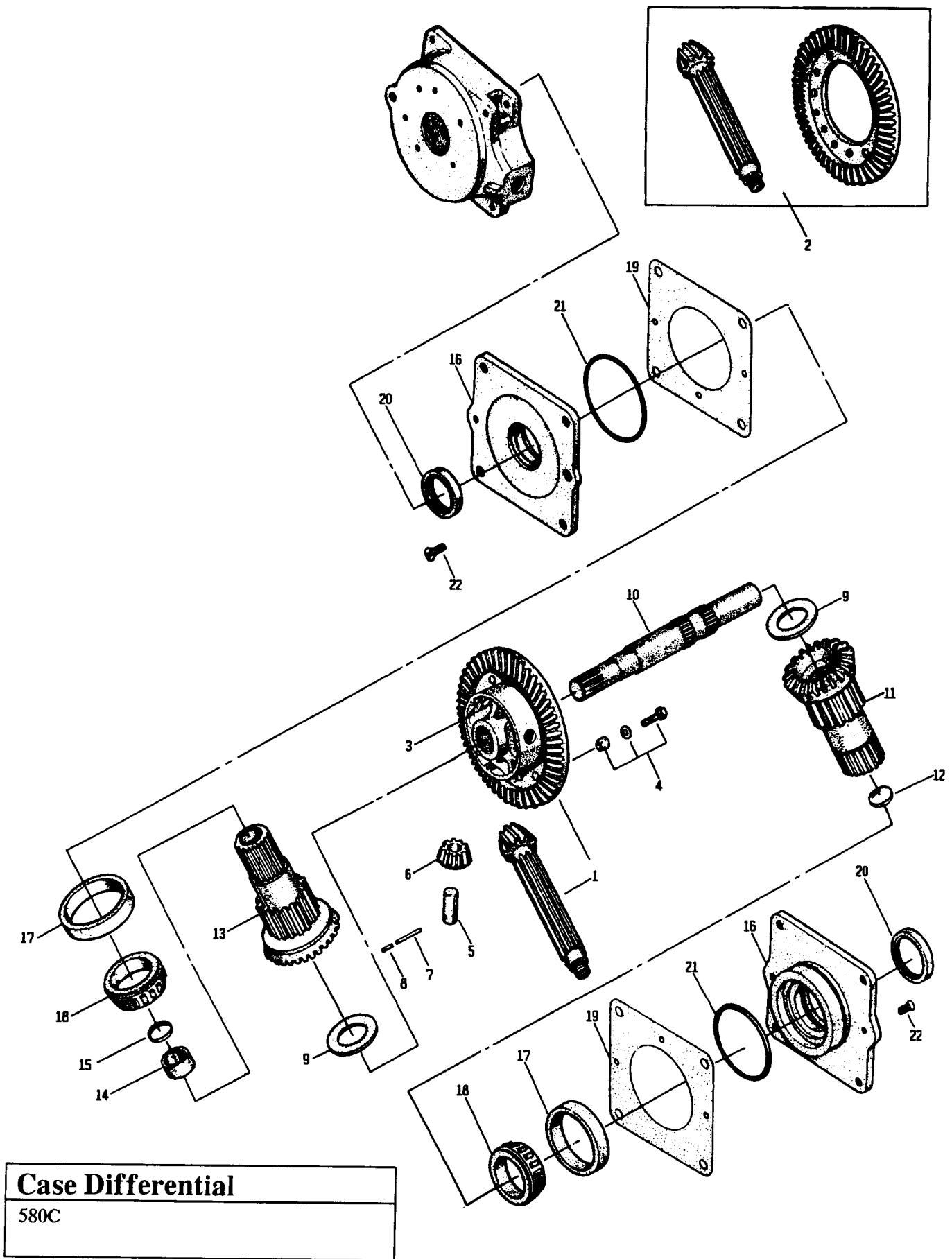
**Model Numbers:**  
580B CK w/lock

REF	AFTERMARKET NO.	DESCRIPTION/COMMENT	QTY
1	2604304	Drive Gear/Pinion - w/Case Ass'y	1
2	2604300	Drive Gear/Pinion - only	1
3	4054300	Shaft, Pinion Gear	3
4	2544302	Gear, Pinion	3
5	3344300	Pin, Roll - 3/16" x 2"	3
6	4054301	Shaft, Cross	1
7	4424300	Washer, Thrust - .089	A/R
	4424301	Washer, Thrust - .094	A/R
	4424302	Washer, Thrust - .099	A/R
	4424303	Washer, Thrust - .104	A/R
	4424304	Washer, Thrust - .109	A/R
	4424305	Washer, Thrust - .119	A/R
8	2544300	Gear, R.H. Side - Long	1
9	1464300	Bushing, Gear	1
10	3924300	Sea, Oil - 1 3/8" x 1 5/8" x 1/8"	2
11	2544301	Gear, L.H. Side - Short	1
12	3524300	Plug, Gear - 1 5/8" x 1/8" Expansion	1
13	1220183	Bearing Cone - Side Gear	2
	1220184	Bearing Cone - Side Gear (Transmission serial number 2438862 thru 2446129 only)	2
14	3174300	O'Ring, 5x5 1/4" x 1/8"	2
15	4064300	Shim - .003	A/R
	4064301	Shim - .005	A/R
	4064302	Shim - .010	A/R
16	1544303	Carrier Ass'y, Side Gear Bearing	
		R.H. w/ 2.00" width	1
		Carrier Ass'y, Side Gear Bearing R.H. w/1.93" width (Transmission serial number 2438862 thru 2446129 only)	N/A
17	4114300	Sleeve, Bearing Support (transmission	

Manufacturers' names, part numbers and model numbers are for reference purposes only. We do not suggest or imply that any item is that of the original manufacturer. (c) 1994 Aftermarket Parts Inc.







**Case Differential**

580C



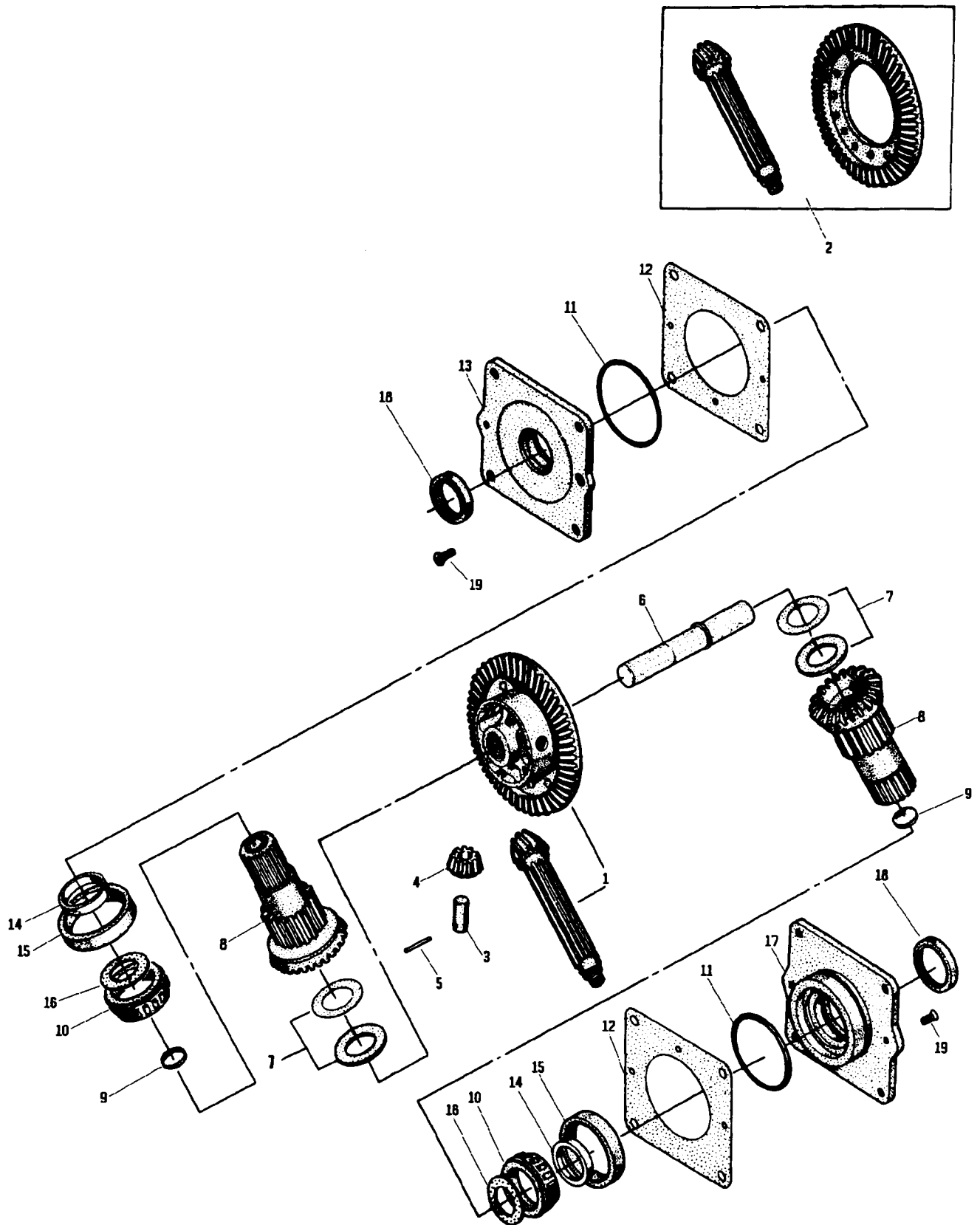
# Case Differential

**Model Numbers:**  
580C

REF	AFTERMARKET NO.	DESCRIPTION/COMMENT	QTY
1	2604302	Drive Gear/Pinion, w case assy	1
2	2604301	Drive Gear/Pinion - only	1
3	1544302	Case Ass'y, Differential	1
4	2874300	Kit, Bolt-Dowel-Washer (12)	1
5	4054304	Shaft, Pinion Gear	3
6	2544305	Gear, Pinion	3
7	3344303	Pin, Roll - 3/16 x 2 Groove	3
8	3344304	Pin, Grove Pin Retaining - 3 /16" x 7/8"	A/R
9	4424300	Washer, Thrust - .089	A/R
	4424301	Washer, Thrust - .094	A/R
	4424302	Washer, Thrust - .099	A/R
	4424303	Washer, Thrust - .104	A/R
	4424304	Washer, Thrust - .109	A/R
	4424305	Washer, Thrust - .119	A/R
10	4054305	Shaft, Cross	1
11	2544304	Gear, L.H. Side	1
12	3524300	Plug, Gear - 1 5/8" expansion	1
13	2544303	Gear, R.H. Side	1
14	1464300	Bushing	1
15	3924301	Seal, Oil - 1 3/8" x 1 5/8" x 3/16"	1
16	1544305	Carrier Ass'y, Side Gear Bearing	2
17	1200111	Bearing Cup, Side Gear	2
18	1220183	Bearing Cone, Side Gear	A/R
19	4064300	Shim - .003	A/R
	4064301	Shim - .005	A/R
	4064302	Shim - .010	A/R
20	3922184	Seal, Oil - 2.14 x 3 x 1/2"	2
21	3174300	O'Ring, 5x5 1/4" x 1/8"	2
22	3934301	Screw, 3/8-16 x 1" flat slotted head	2

Manufacturers' names, part numbers and model numbers are for reference purposes only. We do not suggest or imply that any item is that of the original manufacturer. (c) 1994 Aftermarket Parts Inc.





**Case Differential**  
580B without lock

Manufacturers' names, part numbers and model numbers are for reference purposes only. We do not suggest or imply that any item is that of the original manufacturer. © 1993 Aftermarket Parts, Inc.



# Case Differential

**Model Numbers:**  
580B W/O LOCK

REF	AFTERMARKET NO.	DESCRIPTION/COMMENT	QTY
1	2604303	Drive Gear/Pinion, w/Case Assy	1
2	2604300	Drive Gear/Pinion - only	1
3	4054300	Shaft, Pinion Gear	3
4	2544302	Gear, Pinion	3
5	3344300	Pin, Roll - 3/16x2	3
6	4054303	Shaft, Case	1
7	4424300	Washer, Thrust - .089	A/R
	4424301	Washer, Thrust - .094	A/R
	4424302	Washer, Thrust - .099	A/R
	4424303	Washer, Thrust - .104	A/R
	4424304	Washer, Thrust - .109	A/R
	4424305	Washer, Thrust - .119	A/R
8	2544301	Gear, R.H. Side	1
	3544301	Gear, L.H. Side	1
9	3524300	Plug, Gear - 1.5/8 expansion	2
10	1220183	Bearing Cone - Side Gear	2
	1220184	Bearing Cone - Side Gear (Transmission serial number 2438862 thru 2446129 only)	2
11	3174300	O'Ring, 5x5 1/4x1/8	2
12	4064300	Shim - .003	A/R
	4064301	Shim - .005	A/R
	4064302	Shim - .010	A/R
13	1544303	Carrier Assembly, Side Gear Bearing - R.H. w/2.00 width	1
	See Note	Carrier Assembly, Side Gear Bearing - R.H. w/1.93 width (Transmission Serial number 2438862 thru 2446129 only)	N/A
14	4114300	Sleeve, Bearing Support (transmission serial number 2438862 thru 244629 only)	2

Manufacturers' names, part numbers and model numbers are for reference purposes only. We do not suggest or imply that any item is that of the original manufacturer. (c) 1993 Aftermarket Parts Inc.

## Case Differential

REF	AFTERMARKET NO.	DESCRIPTION/COMMENT	QTY
15	1200111	Bearing Cup, Side Gear	2
16	4424306	Washer, Thrust - Side Gear Bearing (transmission serial number 2438862 thru 2446129 only)	2
17	1544304	Carrier Assembly, Side Gear Bearing -	
	See Note	L.H. w/ 2.00" width Carrier Assembly, Side Gear Bearing - L.H. w/ 1.93" width (transmission serial number 2438862 thru 2446129 only)	1  N/A
18	3922184	Seal, Oil - 2 1/4" x 3" x 1/2"	2
19	3914300	Screw, 3/8" x 3/4" Phillips head - flat	4

Note: Transmission Serial Number 2438862 thru 2446129, Bearing Cone 1220183 can be used to replace 1220184 but 4114300 sleeve and 4424306 washer must be discarded. 1.93" Carrier Ass'y not available, replace with 1544303 and 1544304.

Manufacturers' names, part numbers and model numbers are for reference purposes only. We do not suggest or imply that any item is that of the original manufacturer. (c) 1994 Aftermarket Parts Inc.



**PLANETARY**

**ROCKWELL**

<b>MODEL NUMBER</b>	<b>PAGE NUMBER</b>	<b>MODEL NUMBER</b>	<b>PAGE NUMBER</b>
<b>PR50</b> . . . . .	100	<b>PR130</b> -NX1 . . . . .	400
<b>PR51</b> . . . . .	100	-NX2 . . . . .	400
<b>PR52</b> . . . . .	100	-N113. . . . .	400
<b>PR61</b> . . . . .	100	<b>PR150</b> -NX7 . . . . .	550
<b>PR64</b> -NX1. . . . .	200	<b>PR151</b> -NX12. . . . .	550
<b>PR68</b> -NX1. . . . .	200	-NX18. . . . .	550
-NX2. . . . .	200	-NX21. . . . .	550
-NX4. . . . .	200	-NX22. . . . .	550
-NX5. . . . .	200	<b>PR158</b> -NX1 . . . . .	550
-NX6. . . . .	200	-NX2 . . . . .	550
-NX11 . . . . .	200	<b>PRC184</b> -N102. . . . .	150
-NX12 . . . . .	200	-N103. . . . .	150
-NX14 . . . . .	200	<b>PRC672</b> -N102. . . . .	600
<b>PR75</b> -NX77 . . . . .	300	-N200. . . . .	650
-NX83 . . . . .	300	-N204. . . . .	650
-NX84 . . . . .	300	-N205. . . . .	650
-NX87 . . . . .	300	<b>PRC673</b> -N103. . . . .	600
-NX88 . . . . .	300	-N201. . . . .	650
-NX102. . . . .	300	-N202. . . . .	650
-NX112. . . . .	300	<b>PRC694</b> -N105. . . . .	400
-NX113. . . . .	300	-N108. . . . .	400
-NX119. . . . .	300	<b>PRC726</b> -N200. . . . .	500
-NX127. . . . .	300	<b>PRC863</b> -N200. . . . .	650
-NX128. . . . .	300	-N201. . . . .	650
-NX141. . . . .	300	<b>PRC864</b> -N100. . . . .	600
-NX143. . . . .	300	-N200. . . . .	650
-NX145. . . . .	300	-N201. . . . .	650
-NX159. . . . .	300	-N202. . . . .	650
-NX164. . . . .	300	<b>PRC1375</b> -N100. . . . .	600
<b>PR76</b> -NX9. . . . .	300	-N101. . . . .	600
-NX14 . . . . .	300	-N102. . . . .	600
-NX16 . . . . .	300	<b>PRM125</b> -N100. . . . .	450
-NX17 . . . . .	300	<b>PRM130</b> -N102 . . . . .	450
-NX18 . . . . .	300	-N112 . . . . .	450
<b>PR78</b> -NX1. . . . .	300	<b>PRM150</b> -N100. . . . .	700
-NX6. . . . .	300	<b>PRM151</b> -N100 . . . . .	700
<b>PR125</b> -NX1. . . . .	400	-N101 . . . . .	700
-NX2. . . . .	400		

**-CONTINUED**

Manufacturers' names, part numbers and model numbers are for reference purposes only. We do not suggest or imply that any item is that of the original manufacturer. (c) 1991 Aftermarket Parts, Inc.

**PLANETARY**

**ROCKWELL**

MODEL NUMBER	PAGE NUMBER	MODEL NUMBER	PAGE NUMBER
<b>PRM672</b> -N100. . . .	700	<b>PRLS593</b> -N200. . . . .	350
<b>PRM694</b> -N100. . . .	400	-N201. . . . .	350
<b>PRS204</b> -N2. . . . .	200	<b>PRLS594</b> -N203. . . . .	350
-N12 . . . . .	200	-N207. . . . .	350
-N14 . . . . .	200	<b>PRLS624</b> -N1. . . . .	300
-N15 . . . . .	250	-N2. . . . .	300
		-N11 . . . . .	300

**EATON**

<b>W3117</b> -S16036A . .	1000	<b>WR6</b> -S29302A,B . .	1500
<b>W3120</b> -S16035A . .	1100	-S29304A,B . .	1500
<b>W3127</b> -S17469A . .	1050	-S31346A,B . .	1500
-S17470A . .	1050	-S32167A . . .	1500
-S17551A . .	1050	-S32879A . . .	1500
-S21064A . .	1050	<b>WR7</b> . . . . .	1550
-S21721A . .	1050	<b>WR31</b> -S22988A . . .	1200
<b>W3128</b> -S18022. . .	1150	-S22989A,B . .	1250
<b>W5128</b> -S17977A . .	1150	-S22990A,B . .	1250
<b>WR3</b> -S27514A,B,C	1400	-S22991A,B . .	1250
-S27681A . .	1400	-S22992A . . .	1300
-S28679A . .	1400	-S23135A . . .	1250
-S28680A,B,C	1400	-S24027A,B . .	1250
-S32165A . .	1400	-S27682A . . .	1400
-S33091A . .	1400	-S27683A . . .	1400
<b>WR5</b> -S27685A,B,C	1450	-S27684A . . .	1400
-S28693A,B,C	1450	<b>WR51</b> -S22993A,B . .	1300
-S28694A . .	1450	-S22994A,B . .	1350
-S29806B,C . .	1450	-S27686A . . .	1450
-S32166A . .	1450		

**-CONTINUED**

Manufacturers' names, part numbers and model numbers are for reference purposes only. We do not suggest or imply that any item is that of the original manufacturer. (c) 1991 Aftermarket Parts, Inc.

**PLANETARY**

**FRANKLIN**

MODEL NUMBER	PAGE NUMBER	MODEL NUMBER	PAGE NUMBER
<b>A201</b> . . . . .	1950	<b>F-230</b> -01. . . . .	2000
<b>F160</b> . . . . .	1750	-03. . . . .	2000
<b>F175</b> . . . . .	1800	-06. . . . .	2000
<b>F185</b> -01 . . . . .	1900	-27. . . . .	2000
-04 . . . . .	1900	-29. . . . .	2000
-11 . . . . .	1900	-43. . . . .	2000
-12 . . . . .	1900	-44. . . . .	2000
-19 . . . . .	1900	<b>F-240</b> -01. . . . .	2050
-20 . . . . .	1900	-02. . . . .	2050
-25 . . . . .	1900	-03. . . . .	2050
-36 . . . . .	1900	-06. . . . .	2050
		-07. . . . .	2050
		-08. . . . .	2050
		-10. . . . .	2050
		-12. . . . .	2050
		<b>FA175</b> . . . . .	1850

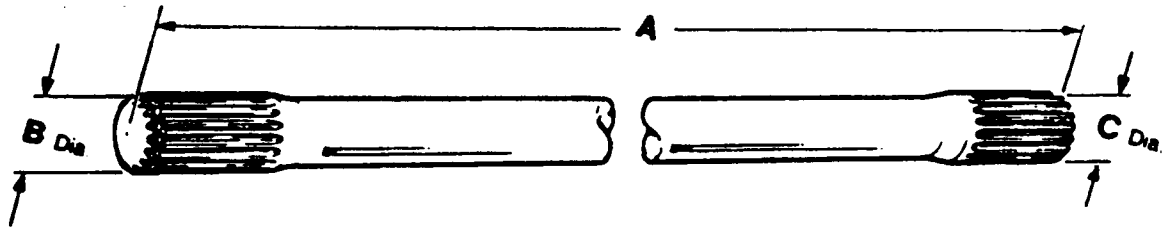
**GKN**

<b>RP10</b> -HN5001 . . . . .	2250	<b>RP12/10</b> -H5001 . . . . .	2300
<b>RP10/10</b> -H5002. . . . .	2250	-H5002 . . . . .	2300
-H5003. . . . .	2250	-H5005 . . . . .	2300
-H5004. . . . .	2250	-H5007 . . . . .	2300
-H5005. . . . .	2250		

**CLARK**

<b>FD17600</b> . . . . .	2500	<b>RD17600</b> . . . . .	2500
--------------------------	------	--------------------------	------

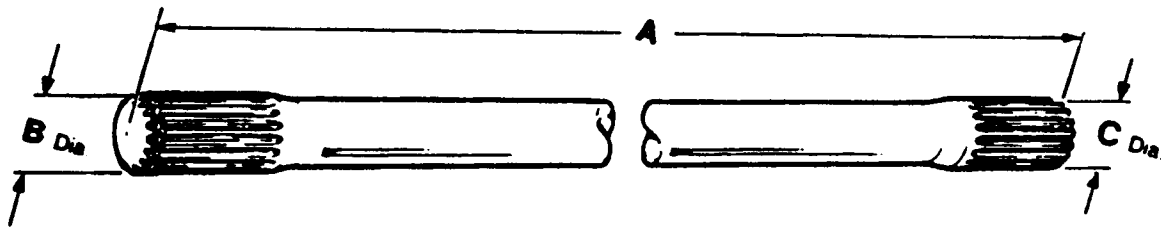
Manufacturers' names, part numbers and model numbers are for reference purposes only. We do not suggest or imply that any item is that of the original manufacturer. (c) 1991 Aftermarket Parts, Inc.



### ROCKWELL AXLES

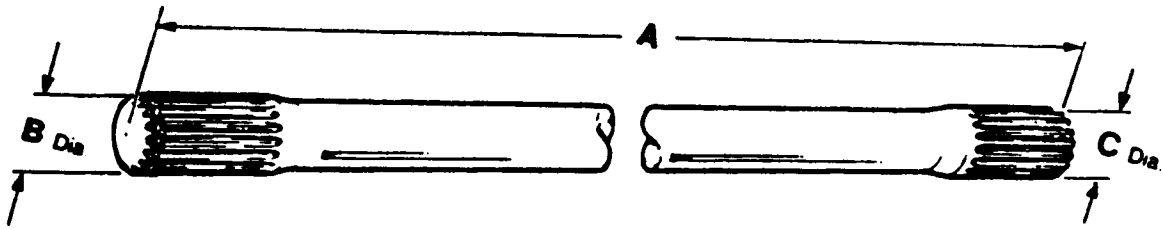
AMP PART NO.	LENGTH "A" INCHES	MM	SPLINE "B"	SPLINE "C"	AXLE MODEL
4002519	34-7/16	875	1-3/4"-19	1-3/4"-19	PRS204
4002535	34-21/32	880	2-1/8"-22	2"-21	PRC673
4002508	38-7/16	976	1-3/4"-19	1-3/4"-19	PR50
4002510	38-7/16	976	1-3/4"-19	1-3/4"-19	PR50
4002522	39-15/16	1015	1-7/8"-20	1-3/4"-19	PRLS593, PRLS594
4002505	41-5/16	1049	1-7/8"-20	1-3/4"-19	PR76, PRLS624, PRLS625
4002547	42-3/4	1085	1-7/8"-20	1-3/4"-19	PRC593, PRC594
4002500	43	1092	1-3/4"-19	1-3/4"-19	PR51, PR68, PRS204
4002521	43-19/32	1107	1-7/8"-20	1-3/4"-19	PRLS593
4002530	43-7/8	1114	2-1/8"-22	2-1/8"-22	PRC673
4002518	44-1/8	1121	1-3/4"-19	1-3/4"-19	PRS204
4002546	44-1/8	1121	2-1/8"-22	2-1/8"-22	PR158
4002536	44-3/8	1127	2-1/8"-22	2-1/8"-22	PRC673
4002523	44-5/8	1133	2-1/8"-22	2-1/8"-22	PR150, PRM150
4002543	44-5/8	1133	2-1/8"-22	1-7/8"-20	PR151, PRM151, PRM672
4002544	44-5/8	1133	2-1/8"-22	1-7/8"-20	PR151, PRM151, PRM672
4002501	44-15/16	1142	1-7/8"-20	1-3/4"-19	PR75, PR78, PRLS624
4002528	44-15/16	1142	2-1/8"-22	1-7/8"-20	PRC672
4002548	45	1143	1-7/8"-20	1-3/4"-19	PRC593, PRC594
4002529	45	1143	2-1/8"-22	2-1/8"-22	PRC673
4002503	45-1/16	1145	1-7/8"-20	1-7/8"-20	PR130, PRM130, PRC694
4002524	45-1/16	1145	1-7/8"-20	1-7/8"-20	PR130, PRM130, PRC694
4002540	45-1/8	1146	2-1/8"-22	1-7/8"-20	PRC863
4002537	45-3/8	1153	2-1/8"-22	1-7/8"-20	PRC672

(continued)



## ROCKWELL AXLES (CONT.)

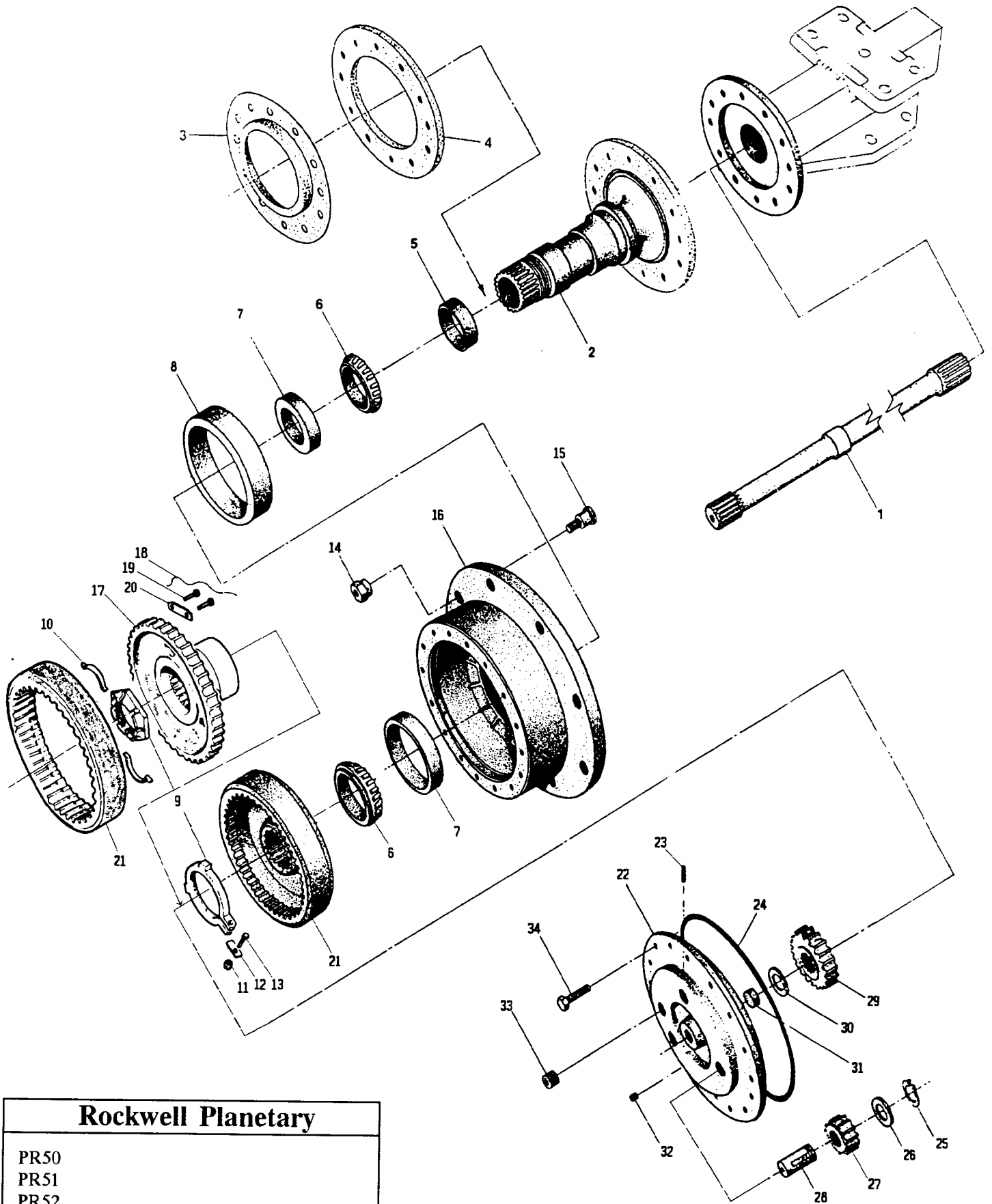
AMP PART NO.	LENGTH "A"		SPLINE "B"	SPLINE "C"	AXLE MODEL
	INCHES	MM			
4002533	45-1/2	1156	2-1/8"-22	2-1/8"-22	PRC673, PRC864
4002509	45-9/16	1157	1-7/8"-20	1-3/4"-19	PR125, PRM125
4002520	45-13/16	1163	1-7/8"-20	1-3/4"-19	PRLS593
4002507	46-1/16	1170	1-7/8"-20	1-3/4"-19	PR75
4002545	46-3/8	1178	2-1/8"-22	2-1/8"-22	PR158
4002542	46-5/8	1184	2-1/8"-22	2-1/8"-22	PRC864
4002538	47	1193	2-1/8"-22	1-7/8"-20	PRC672
4002502	47-3/16	1199	1-7/8"-20	1-3/4"-19	PR75, PR78, PRLS624
4002539	47-3/8	1203	2-1/8"-22	1-7/8"-20	PRC863
4002549	47-1/2	1207	2-1/8"-41	1-7/8"-20	PRC1103
4002550	47-1/2	1207	2-1/8"-41	2-1/8"-41	PRC1105
4002514	47-13/16	1214	1-7/8"-20	1-3/4"-19	PR125, PRM125
4002512	48-3/8	1229	2-3/8"-24	2-3/8"-24	PR258, PRM258, PRC1757
4002551	48-1/2	1232	2-3/8"-24	2-1/8"-22	PR235
4002552	49-9/16	1259	2-3/8"-24	2-3/8"-24	PR305, PRC1935
4002553	49-3/4	1264	2-1/8"-41	1-7/8"-20	PRC1103
4002554	49-3/4	1264	2-1/8"-41	2-1/8"-41	PRC1105
4002555	50-3/4	1289	2-3/8"-24	2-1/8"-22	PR235
4002511	50-7/8	1292	2-3/8"-24	2-3/8"-24	PR258, PRM258, PRC1757
4002556	52-1/16	1322	2-3/8"-24	2-3/8"-24	PR305, PRC1935
4002557	56-1/2	1435	2-1/8"-41	2-1/8"-41	PRLC1736
4002558	60-5/8	1540	2-1/8"-41	2-1/8"-41	PRLC1736



### EATON AXLES

AMP PART NO.	LENGTH "A"		SPLINE "B"	SPLINE "C"	AXLE MODEL
	INCHES	MM			
4000709	25-3/4	654	2-1/8"-16	2-1/8"-16	BOGIE
4000702	41-7/32	1047	1-7/8"-16	1-7/8"-16	W3117,WR31
4000701	44-11/32	1126	1-7/8"-16	1-7/8"-16	W3127,WR31,WR3
4000703	44-11/32	1126	1-3/4"-19	1-3/4"-19	W3120
4000705	44-13/16	1138	1-7/8"-16	1-7/8"-16	WR6
4000700	44-15/16	1141	1-7/8"-16	1-7/8"-16	W3128,W5128
4000706	48-3/16	1224	1-7/8"-16	1-7/8"-16	WR6
4000704	48-5/16	1227	1-7/8"-16	1-7/8"-16	WR51,WR5
4000707	54-5/8	1387	1-7/8"-16	1-7/8"-16	WR6





Rockwell Planetary	
PR50	
PR51	
PR52	
PR61	

Manufacturers' names, part numbers and model numbers are for reference purposes only. We do not suggest or imply that any item is that of the original manufacturer. ©1991 Aftermarket Parts, Inc.





# Rockwell Planetary

**Model Numbers:**

PR50	PR52
PR51	PR61

\*Threads for adjusting nut on end  
 \*\*Threads for adjusting nut on spline  
 \*\*\*Can substitute 2442503

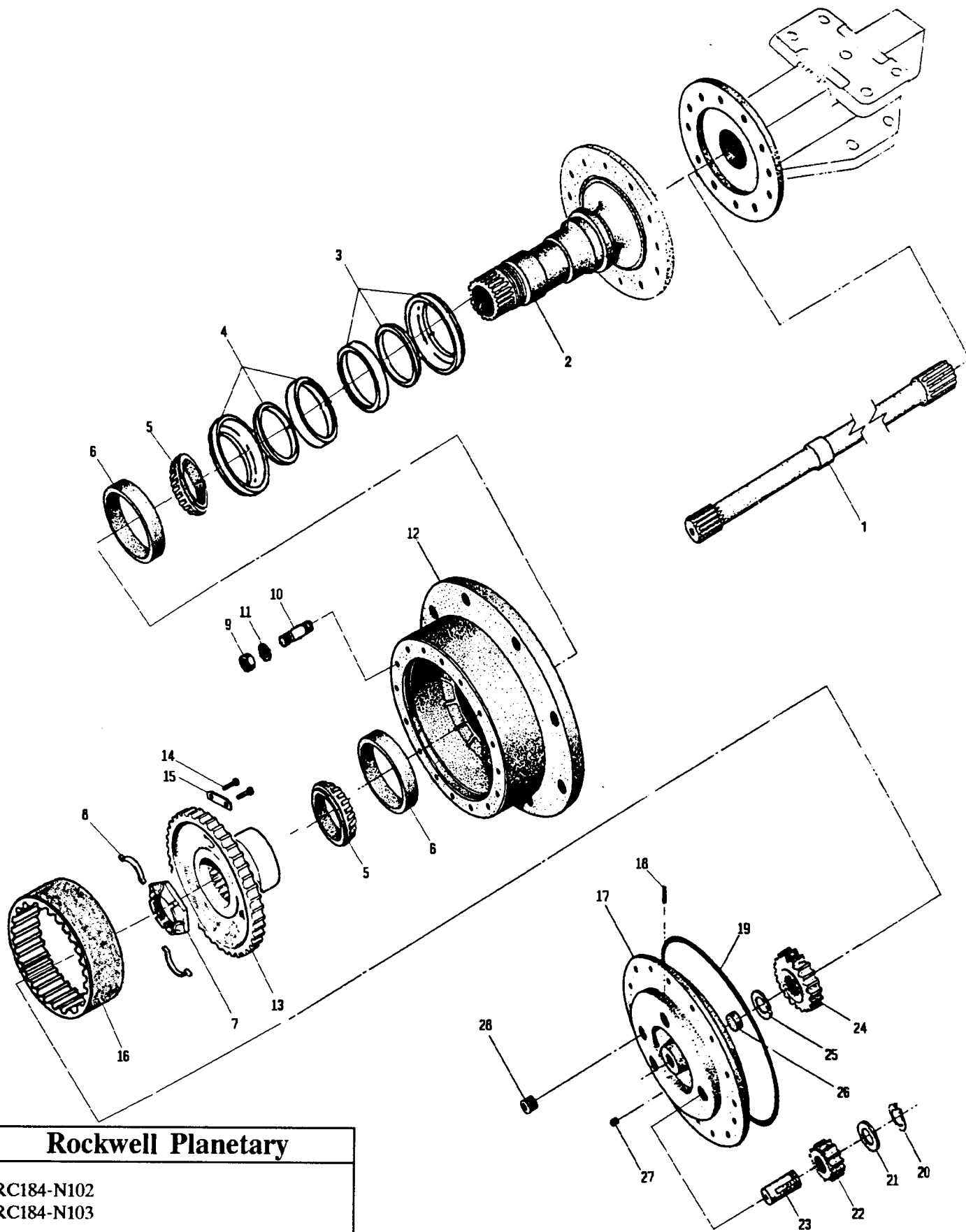
REF	AFTERMARKET NO.	DESCRIPTION/COMMENT	QTY
1	4002508	Shaft, Axle 38 7/16" L, 1 3/4" -19 Spline	1
2	4192500	Spindle*	1
	4192501	Spindle**	1
	4192502	Spindle	1
3	3922500	Seal, Oil	1
4	4142501	Spacer	1
5	N/U	Sleeve, Wear - Oil Seal	N/U
6	1220154	Bearing Cone - Outer	1
	1220103	Bearing Cone - Inner	1
7	1200129	Bearing Cup - Outer	1
	1200103	Bearing Cup - Inner	1
8	2662500	Guard, Oil Seal	1
9	3152501	Nut, Wheel Bearing Adjusting*	1
	3152505	Nut, Wheel Bearing Adjusting**	1
10	3032501	Lock*	2
	2892505	Small Parts Kit - (Includes items 11, 12, and 13)	1
11	3/8-24	Nut, Jam**	2
12	3032503	Lock**	1
13	3/8-24X2 7/8	Capscrew**	1
14	3151800	Nut, Wheel	8
15	4271800	Stud, Wheel	8
16		Hub and Bearing Ass'y	N/A
17	2502502	Hub - Planetary Ring Gear	1
18		Lockwire	N/A
19	5/16-18X 3/4	Capscrew	8
20	3032502	Lock - Planetary Ring Gear	4
21	2482504	Gear, Annulus*	1
	2482501	Gear, Annulus**	1
	4182500	Planetary Ass'y w/ Bronze Pins	1

Manufacturers' names, part numbers and model numbers are for reference purposes only. We do not suggest or imply that any item is that of the original manufacturer. (c) 1991 Aftermarket Parts Inc.

## Rockwell Planetary

REF	AFTERMARKET NO.	DESCRIPTION/COMMENT	QTY
	4182508	Planetary Ass'y w/ Steel Pins	1
22	3462500	Spider w/ Bronze Pins	1
	3462503	Spider w/ Steel Pins	1
23	3902500	Setscrew	3
24	3172500	O'Ring	1
25	3682504	Snapping	3
26	4422501	Washer, Thrust	3
27	2442501	Gear, Planetary***	3
28	3332500	Pin, Planetary - Bronze	3
	3332509	Pin, Planetary - Steel	3
29	2462504	Gear, Sun	1
30	3682502	Snapping	1
31	1382500	Button, Thrust	1
32	1/2 NPT	Plug, Drain - Square Head	1
33	3502500	Plug, Filler	1
34	1/2-13UNCX1 3/8	Capscrew	1

Manufacturers' names, part numbers and model numbers are for reference purposes only. We do not suggest or imply that any item is that of the original manufacturer. (c) 1991 Aftermarket Parts Inc.



<h3>Rockwell Planetary</h3>
PRC184-N102 PRC184-N103



# Rockwell Planetary

**Model Numbers:**

PRC184-N102

PRC184-N103

\*Can substitute 2442503

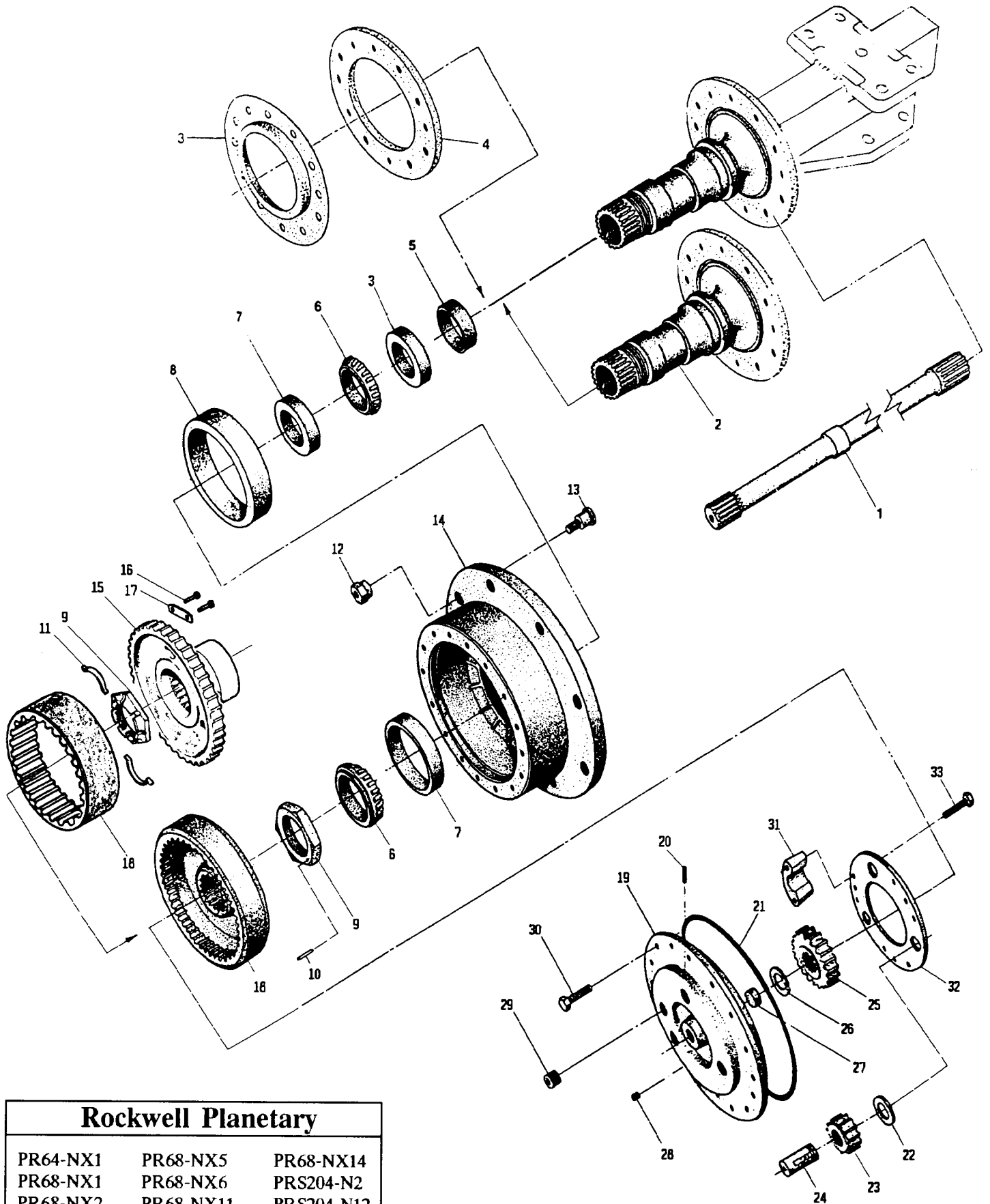
REF	AFTERMARKET NO.	DESCRIPTION/COMMENT	QTY
1	4002513	Shaft, Axle	1
2	4192502	Spindle	1
3	3923900	Oil Seal Ass'y - Spindle	1
4	3923901	Oil Seal Ass'y - Hub	1
5	1220103	Bearing Cone - Inner	1
	1220154	Bearing Cone - Outer	1
6	1200103	Bearing Cup - Inner	1
	1200129	Bearing Cup - Outer	1
7	3152501	Nut, Wheel Bearing Adjusting	1
8	3032501	Lock	2
9	3142501	Nut, Stud	16
10	4282505	Stud	16
11	4442500	Washer, Flat	16
12	2782500	Hub and Bearing Cup Ass'y	1
13	2502502	Hub - Planetary Ring Gear	1
14	5/16-18X 3/4	Capscrew	8
15	3032502	Lock - Planetary Ring Gear	4
16	2482504	Gear, Annulus	1
	4182500	Planetary Ass'y w/ Bronze Pins	1
	4182508	Planetary Ass'y w/ Steel Pins	1
17	3462500	Spider w/ Bronze Pins	1
	3462503	Spider w/ Steel Pins	1
18	3902501	Setscrew	1
19	3172500	O'Ring	1
20	3682504	Snapping	3
21	4422501	Washer, Thrust	3
22	2442501	Gear, Planetary*	3
23	3332500	Pin, Planetary - Bronze	3
	3332509	Pin, Planetary - Steel	3
24	2462504	Gear, Sun	1

Manufacturers' names, part numbers and model numbers are for reference purposes only. We do not suggest or imply that any item is that of the original manufacturer. (c) 1991 Aftermarket Parts Inc.

# Rockwell Planetary

REF	AFTERMARKET NO.	DESCRIPTION/COMMENT	QTY
25	3682502	Snapring	1
26	1382500	Button, Thrust	1
27	1/2 NPT	Plug, Drain	1
28	3512500	Plug, Filler	1

Manufacturers' names, part numbers and model numbers are for reference purposes only. We do not suggest or imply that any item is that of the original manufacturer. (c) 1991 Aftermarket Parts Inc.



Rockwell Planetary		
PR64-NX1	PR68-NX5	PR68-NX14
PR68-NX1	PR68-NX6	PRS204-N2
PR68-NX2	PR68-NX11	PRS204-N12
PR68-NX4	PR68-NX12	PRS204-N14

Manufacturers' names, part numbers and model numbers are for reference purposes only. We do not suggest or imply that any item is that of the original manufacturer. ©1991 Aftermarket Parts, Inc.





# Rockwell Planetary

**Model Numbers:**

PR64-NX1	PR68-NX6	PRS204-N12
PR68-NX1	PR68-NX11	PR204-N14
PR68-NX2	PR68-NX12	
PR68-NX4	PR68-NX14	
PR68-NX5	PRS204-N2	

REF	AFTERMARKET NO.	DESCRIPTION/COMMENT	QTY
1	4002500	Shaft, Axle PR68-NX1 thru 14 & PRS204-N2	1
	4002518	Shaft, Axle PRS204-N12, PR204-N14	1
	4002500	Shaft, Axle PR64-NX1	1
2	4192500	Spindle PR64-NX1	1
3	3922107	Seal	1
4	3922500	Seal PR64-NX1	1
	4142501	Spacer	1
5		Sleeve, Wear	N/U
6	1220142	Bearing Cone - Outer	1
	1220154	Bearing Cone - Outer PR64-NX1	1
7	1220142	Bearing Cone - Inner	1
	1220103	Bearing Cone - Inner PR64-NX1	1
	1200142	Bearing Cup - Outer	1
	1200129	Bearing Cup - Outer PR64-NX1	1
	1200142	Bearing Cup - Inner	1
8	1200103	Bearing Cup - Inner PR64-NX1	1
	2662501	Guard, Oil Seal	1
9	2662500	Guard, Oil Seal PR64-NX1	1
	3152504	Nut, Wheel Bearing Adjustment	1
	3152501	Nut, Wheel Bearing Adjustment	1
10	3342500	Lock Pin	1
11	3032501	Lock PR64-NX1	2
12	3151800	Nut, Wheel	8
13	4272500	Stud, Wheel	8
	4271800	Stud, Wheel	8
14		Hub and Bearing Cup Ass'y	N/A
15	2502502	Hub - Planetary Ring Gear PR64-NX1	1
16	5/16-18X 3/4	Capscrew PR64-NX1	8
17	3032502	Lock - Planetary Ring Gear PR64-NX1	4
18	2482506	Gear, Annulus - 1 Piece	1

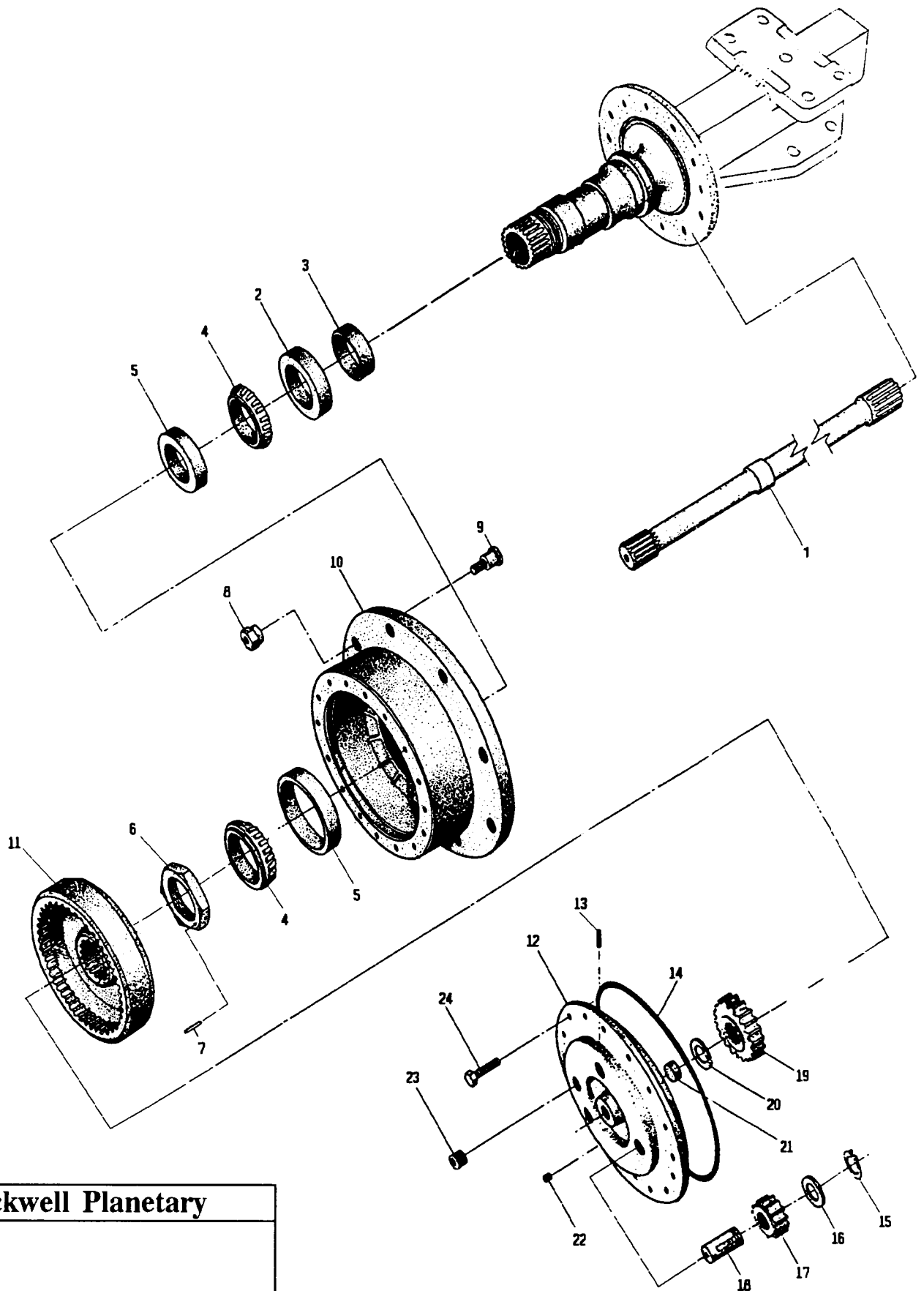
Manufacturers' names, part numbers and model numbers are for reference purposes only. We do not suggest or imply that any item is that of the original manufacturer. (c) 1991 Aftermarket Parts Inc.

## Rockwell Planetary

REF	AFTERMARKET NO.	DESCRIPTION/COMMENT	QTY.
(18)	2482504	Gear, Annulus PR64-NX1 - 2 Pieces	1
19	3462501	Spider w/ Bronze Pins	1
	3462504	Spider w/ Steel Pins	1
20	3902501	Setscrew	3
21	3172500	O'Ring	1
22	4422501	Washer, Thrust	3
23	2442501	Gear, Planetary*	3
24	3332501	Pin, Planetary - Bronze	3
	3332507	Pin, Planetary - Steel	3
25	2462504	Gear, Sun	1
26	3682502	Snapping	1
27	1382500	Button, Thrust	1
28	1/2 NPT	Plug, Drain	1
29	3512500	Plug, Filler	1
30	1/2-13UNCX1 3/8	Capscrew	16
31	1392500	Block, Spacer	3
32	3462502	Plate, Retainer	1
33	3872500	Capscrew	6

Manufacturers' names, part numbers and model numbers are for reference purposes only. We do not suggest or imply that any item is that of the original manufacturer. (c) 1991 Aftermarket Parts, Inc.

Revised 12/96



## Rockwell Planetary

PRS204-N15



# Rockwell Planetary

**Model Numbers:**  
PRS204-N15

\*Can substitute 2442503

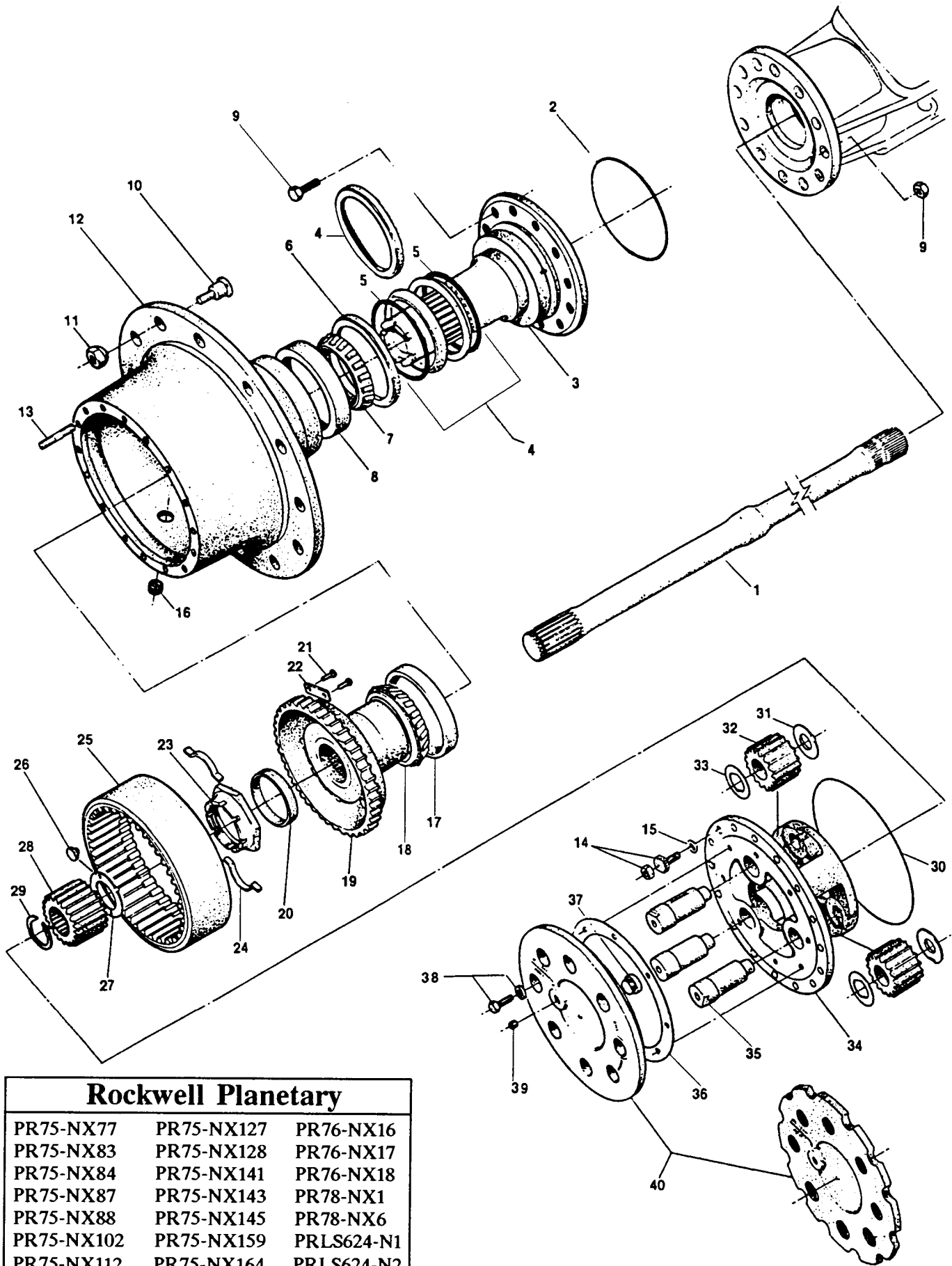
REF	AFTERMARKET NO.	DESCRIPTION/COMMENT	QTY
1	4002519	Shaft, Axle	1
2	3922117	Seal	1
	3922107	Seal	1
3	4112500	Sleeve, Wear (Use with 3922117)	1
4	1220142	Bearing Cone - Inner	1
	1220142	Bearing Cone - Outer	1
5	1200142	Bearing Cup - Inner	1
	1200142	Bearing Cup - Outer	1
6	3152504	Nut, Wheel Bearing Adjusting	1
7	3342500	Lock Pin	1
8	3151800	Nut, Wheel	8
9	4272500	Stud, Wheel	8
10		Hub and Bearing Cup Ass'y	N/A
11	2482506	Gear, Annulus	1
	4182500	Planetary Ass'y w/ Bronze Pins	1
	4182508	Planetary Ass'y w/ Steel Pins	1
12	3462500	Spider w/ Bronze Pins	1
	3462503	Spider w/ Steel Pins	1
13	3902501	Setscrew	3
14	3172500	O'Ring	1
15	3682504	Snapping	3
16	4422501	Washer, Thrust	3
17	2442501	Gear, Planetary*	3
18	3332500	Pin, Planetary - Bronze	3
	3332509	Pin, Planetary - Steel	3
19	2462504	Gear, Sun	1
20	3682502	Snapping	1
21	1382500	Button, Thrust	1
22	1/2 NPT	Plug, Drain	1
23	3512500	Plug, Filler	1

Manufacturers' names, part numbers and model numbers are for reference purposes only. We do not suggest or imply that any item is that of the original manufacturer. (c) 1991 Aftermarket Parts Inc.

# Rockwell Planetary

REF	AFTERMARKET NO.	DESCRIPTION/COMMENT	QTY
24	1/2-13UNCX1 3/8	Capscrew	16

Manufacturers' names, part numbers and model numbers are for reference purposes only. We do not suggest or imply that any item is that of the original manufacturer. (c) 1991 Aftermarket Parts Inc.



### Rockwell Planetary

PR75-NX77	PR75-NX127	PR76-NX16
PR75-NX83	PR75-NX128	PR76-NX17
PR75-NX84	PR75-NX141	PR76-NX18
PR75-NX87	PR75-NX143	PR78-NX1
PR75-NX88	PR75-NX145	PR78-NX6
PR75-NX102	PR75-NX159	PRLS624-N1
PR75-NX112	PR75-NX164	PRLS624-N2
PR75-NX113	PR76-NX9	PRLS624-N11
PR75-NX119	PR76-NX14	

Manufacturers' names, part numbers and model numbers are for reference purposes only. We do not suggest or imply that any item is that of the original manufacturer. ©1991 Aftermarket Parts, Inc.





## Rockwell Planetary

<b>Model Numbers:</b>	PR75-NX112	PR75-NX145	PR76-NX18
PR75-NX77	PR75-NX113	PR75-NX159	PR78-NX1
PR75-NX83	PR75-NX119	PR75-NX164	PR78-NX6
PR75-NX84	PR75-NX127	PR76-NX9	PRLS624-N1
PR75-NX87	PR75-NX128	PR76-NX14	PRLS624-N2
PR75-NX88	PR75-NX141	PR76-NX16	PRLS625-N11
PR75-NX102	PR75-NX143	PR76-NX17	

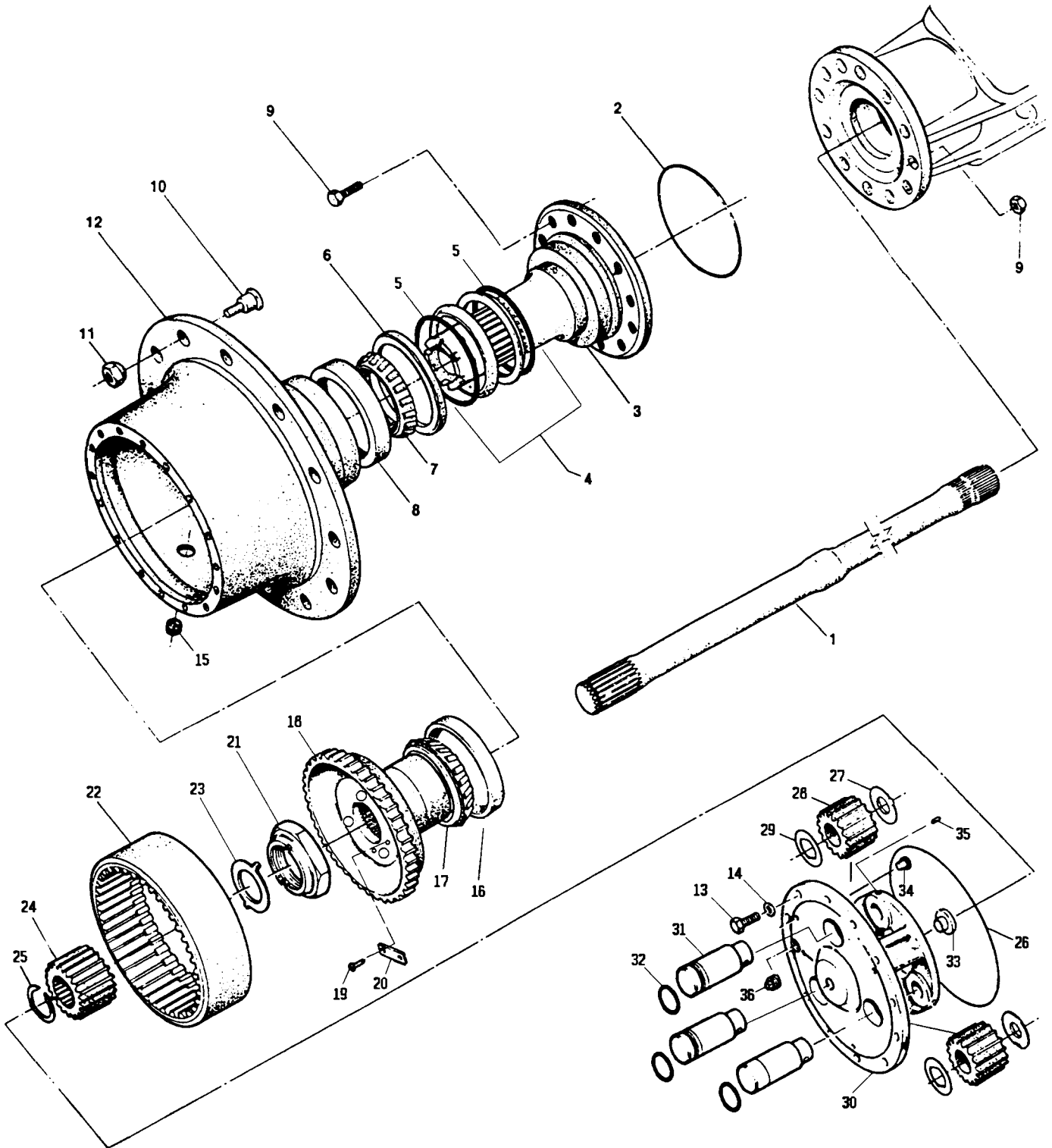
REF	AFTERMARKET NO.	DESCRIPTION/COMMENT	QTY
1	4002501	Shaft, Axle - Short	1
	4002502	Shaft, Axle - Long	1
	4002505	Shaft, Axle - PR76-NX9, NX14, NX16, NX17, NX18 and PRLS625-N11	1
	4002506	Shaft, Axle - PR75-NX77, NX87, NX88, NX102 and NX141	1
	4002516	Shaft, Axle - Short - PR78-NX6	1
	4002517	Shaft, Axle - Long - PR78-NX6	1
2	3172502	O'Ring	1
3		Spindle	N/A
4	3922116	Seal, Hub	1
	3922104	Seal, Hub - Unitized	1
	3921800	Seal, Hub - Cat. Type	1
5	3171800	O'Ring - Cat. Type Seal	2
6	2662502	Seat, Oil Seal	1
7	1220122	Bearing Cone - Inner	1
8	1200122	Bearing Cup - Inner	1
9	9/16-18UNFX2 1/4	Bolt, GR. 8	12
	9/16-18UNF	Nut, GR. 8	12
10	4271800	Stud, Wheel	12
11	3151800	Nut, Wheel	12
12		Hub Ass'y	N/A
13	4282504	Stud - Spider/Hub 9/16 "	12
	4282510	Stud - Spider/Hub 1/2 "	12
14	9/16-18UNF	Nut	12
	1/2-20UNF	Nut	12
15	4442500	Washer, Flat	12
16	3502500	Plug, Drain	1
17	1200118	Bearing Cup - Outer	1
18	1220118	Bearing Cone - Outer	1

Manufacturers' names, part numbers and model numbers are for reference purposes only. We do not suggest or imply that any item is that of the original manufacturer. (c) 1991 Aftermarket Parts Inc.

# Rockwell Planetary

REF	AFTERMARKET NO.	DESCRIPTION/COMMENT	QTY
19	2502500	Hub and Sleeve Ass'y	1
	2502504	Hub and Sleeve Ass'y	1
20		Sleeve	N/A
21	5/16-18UNCX 3/4	Bolt	8
22	3032503	Lock	4
23	3152503	Nut, Adjusting	1
24	3032500	Lock	2
25	2482505	Gear, Annulus	1
26		Pin, Dowel	N/A
27	4422505	Washer, Thrust	1
28	2462500	Gear, Sun	1
29	3682503	Snapping	1
30	3172500	O'Ring	1
31	4422507	Washer, Thrust - Inner	3
32	2442500	Gear, Planetary	3
33	4422506	Washer, Thrust - Outer	3
	4182504	Planetary Ass'y - 9/16" Std. Bronze Pins	1
	4182505	Planetary Ass'y - 9/16" Hard. Bronze Pins	1
	4182510	Planetary Ass'y - 9/16" Steel Pins	1
	4182502	Planetary Ass'y - 1/2" Std. Bronze Pins	1
	4182503	Planetary Ass'y - 1/2" Hard. Bronze Pins	1
	4182511	Planetary Ass'y - 1/2" Steel Pins	1
34	4172501	Spider - 9/16" Holes	1
	4172500	Spider - 1/2" Holes	1
35	3332502	Pin, Planetary - Bronze	3
	3332503	Pin, Planetary - Hardened Bronze	3
	3332511	Pin, Planetary - Steel	3
36	2302500	Gasket	1
37	1382501	Button, Thrust	1
38	7/16-14UNCX1 1/8	Capscrew GR. 8	8
39	1/4 NPT	Plug, Filler	1
40	1742501	Cover and Thrust Button Ass'y	1

Manufacturers' names, part numbers and model numbers are for reference purposes only. We do not suggest or imply that any item is that of the original manufacturer. (c) 1991 Aftermarket Parts Inc.



## Rockwell Planetary

PRLS593-N200  
 PRLS593-N201  
 PRLS594-N203  
 PRLS594-N207



# Rockwell Planetary

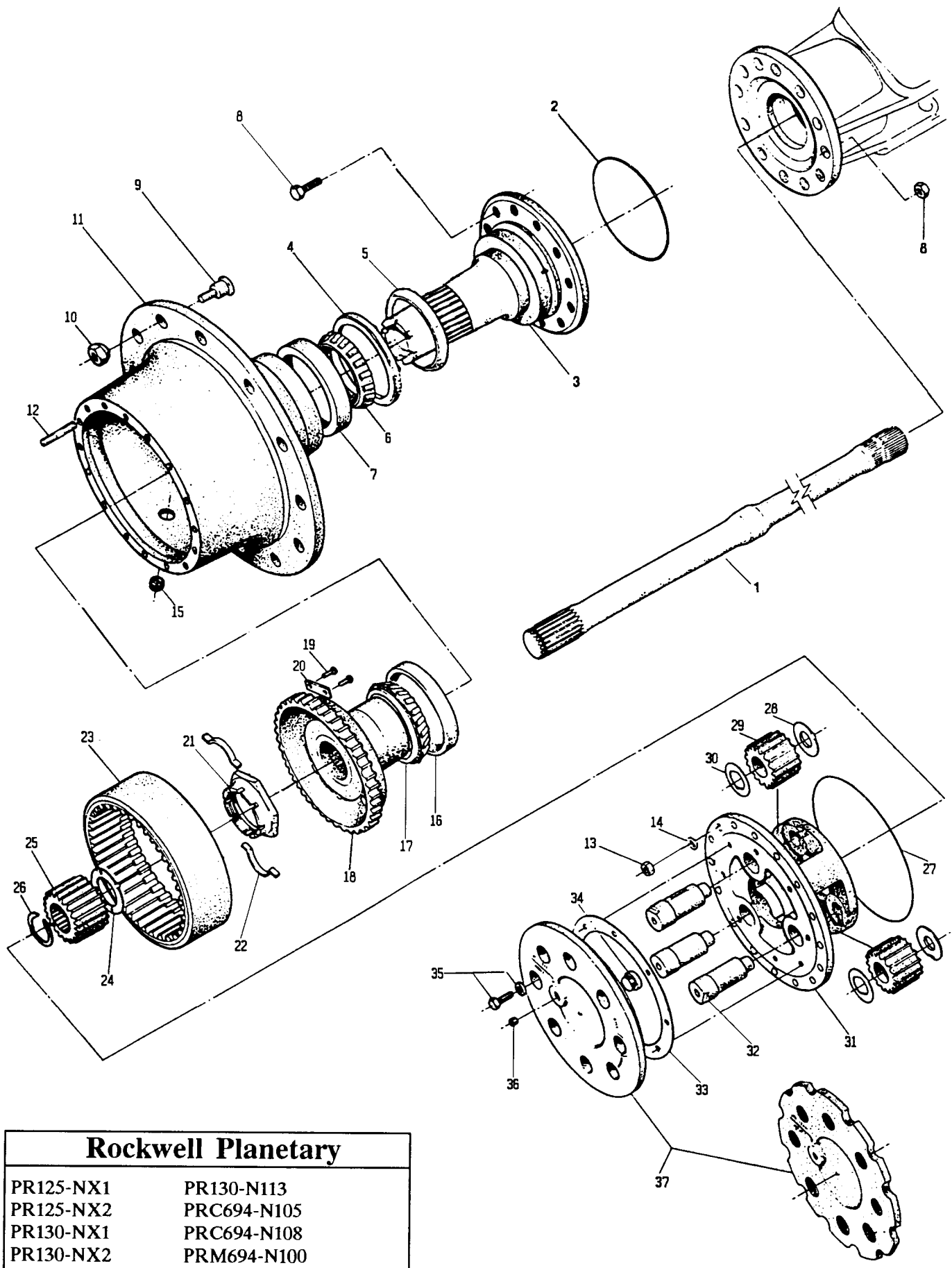
**Model Numbers:**

PRLS593-N200	PRLS594-N203
PRLS593-N201	PRLS594-N207

REF	AFTERMARKET NO.	DESCRIPTION/COMMENT	QTY
1	4002520	Shaft - Long	1
	4002521	Shaft - Short	1
	4002522	Shaft - PRLS593-N201, PRLS594-N207	1
2		Silicone	N/A
3	4192503	Spindle	1
4	3921800	Seal, Hub - Cat. Type	1
5	3171800	O'Ring, - Cat. Type Seal	2
6	2662502	Seat, Oil Seal	1
7	1220143	Bearing Cone - Inner	1
8	1200143	Bearing Cup - Inner	1
9	9/16-18UNFX2 1/4	Bolt, GR. 8	12
	9/16-18UNF	Nut, Hex Lock, GR. 8	12
10	4272500	Stud, Wheel	12
11	3151800	Nut, Wheel	12
12		Hub Ass'y	N/A
13	9/16-12UNCX1 3/4	Bolt - Spider/Hub	12
14	9/16	Washer, Lock	12
15	3502500	Plug, Drain	1
16	1200144	Bearing Cup - Outer	1
17	1220144	Bearing Cone - Outer	1
18	2502505	Hub Ass'y	1
19	1172512	Capscrew	2
20	3032503	Lock	1
21	3152506	Nut, Adjusting	1
22	2482509	Gear, Annulus	1
23	4422511	Washer	1
24	2462500	Gear, Sun	1
25	3682503	Snapping	1
26		Silicone	N/A
27	4422500	Washer - Inner	3

Manufacturers' names, part numbers and model numbers are for reference purposes only. We do not suggest or imply that any item is that of the original manufacturer. (c) 1991 Aftermarket Parts Inc.





Rockwell Planetary	
PR125-NX1	PR130-N113
PR125-NX2	PRC694-N105
PR130-NX1	PRC694-N108
PR130-NX2	PRM694-N100

Manufacturers' names, part numbers and model numbers are for reference purposes only. We do not suggest or imply that any item is that of the original manufacturer. ©1991 Aftermarket Parts, Inc.





# Rockwell Planetary

**Model Numbers:**

PR125-NX1	PR130-N113
PR125-NX2	PRC694-N105
PR130-NX1	PRC694-N108
PR130-NX2	PRM694-N100

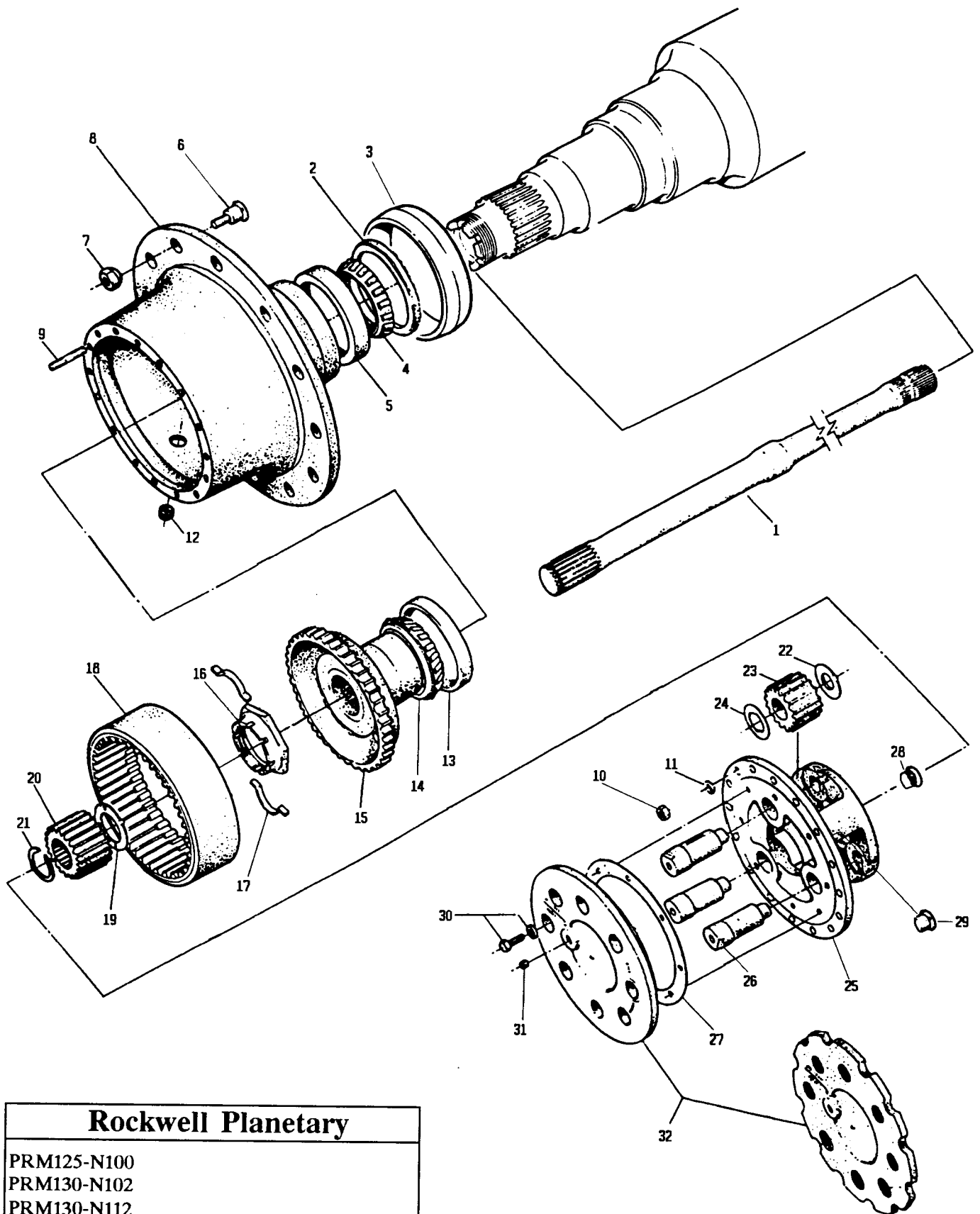
REF	AFTERMARKET NO.	DESCRIPTION/COMMENT	QTY
1	4002503	Shaft, Axle - PR130-NX2 and PRC694-N108	1
	4002504	Shaft, Axle - PRC694-N105	1
	4002509	Shaft, Axle - Short - PR125-NX1, NX2	1
	4002514	Shaft, Axle - Long - PR125-NX1, NX2	1
	4002524	Shaft, Axle - Hardened - PR130-NX2 and	
		PRC694-N108	1
	4002525	Shaft, Axle - Short - PR130-N113 and	
		PRM694-N100	1
	4002526	Shaft, Axle - Long - PR130-N113 and	
		PRM694-N100	1
2	4002527	Shaft, Axle - PR130-NX1	1
	3172502	O'Ring	1
	4192504	Spindle	1
	3922104	Seal, Oil	1
	2662503	Guard, Oil Seal	1
6	1220149	Bearing Cone - Inner	1
7	1200143	Bearing Cup - Inner	1
8	9/16-18UNFX2	Bolt GR. 8	12
	9/16-18UNF	Nut GR. 8	12
9	4271800	Stud, Wheel	12
10	3151800	Nut, Wheel	12
11		Hub and Bearing Cup Ass'y	N/A
12	4282511	Stud	12
13	9/16-18UNF	Nut	12
14	9/16	Washer, Lock	12
15	3502500	Plug, Drain	1
16	1200144	Bearing Cup - Outer	1
17	1220144	Bearing Cone - Outer	1
18	2502504	Hub and Sleeve Ass'y	1
19	5/16-18UNCX 3/4	Bolt	8

Manufacturers' names, part numbers and model numbers are for reference purposes only. We do not suggest or imply that any item is that of the original manufacturer. (c) 1991 Aftermarket Parts Inc.

# Rockwell Planetary

REF	AFTERMARKET NO.	DESCRIPTION/COMMENT	QTY
20	3032503	Lock	8
21	3152503	Nut, Adjusting	4
22	3032500	Lock	2
23	2482508	Gear, Annulus	1
	2482512	Gear, Annulus - PR130-N113, PRC694-N105, PRM694-N100	1
24	4422505	Washer, Thrust	1
25	2462501	Gear, Sun	1
26	3682503	Snapping	1
27	3172500	O'Ring	1
28	4422507	Washer, Thrust - Inner	3
29	2442502	Gear, Planetary	3
30	4422506	Washer, Thrust - Outer	3
31	4172503	Spider	1
32	3332504	Pin, Planetary	3
33	2302500	Gasket	1
34	1382501	Button, Thrust	1
35	7/16-14UNCX1 1/8	Capscrew	8
	4442503	Washer	8
36	1/4 NPT	Plug, Oil Level	1
37	1742501	Cover and Thrust Button Ass'y	1

Manufacturers' names, part numbers and model numbers are for reference purposes only. We do not suggest or imply that any item is that of the original manufacturer. (c) 1991 Aftermarket Parts Inc.



<h3>Rockwell Planetary</h3>
PRM125-N100 PRM130-N102 PRM130-N112



# Rockwell Planetary

**Model Numbers:**

PRM125-N100

PRM130-N102

PRM130-N112

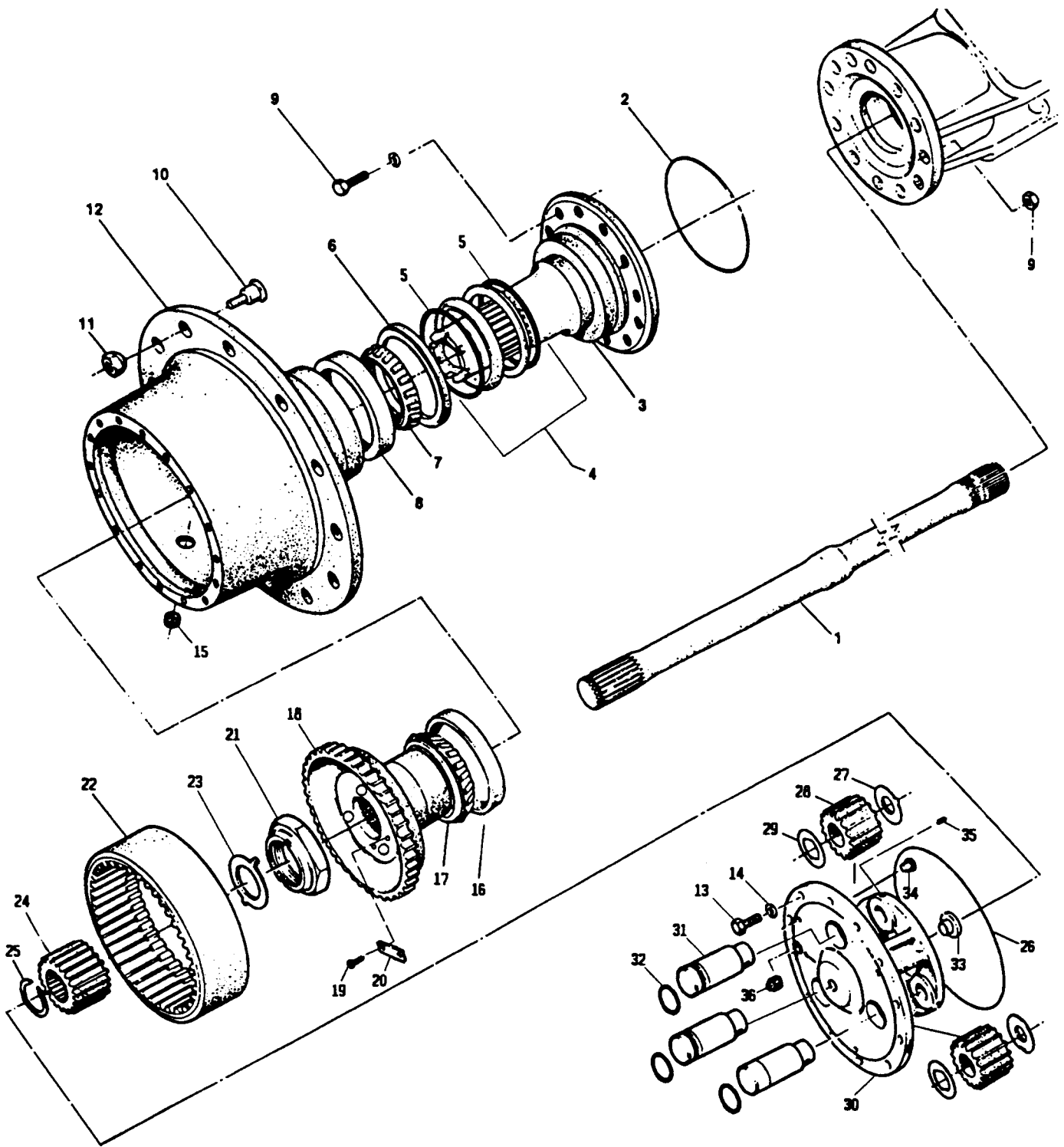
REF	AFTERMARKET NO.	DESCRIPTION/COMMENT	QTY
1	4002509	Shaft, Axle	1
	4002514	Shaft, Axle	1
	4002503	Shaft, Axle - PRM130-N102, PRM130-N112	1
	4002524	Shaft, Axle - Hardened - PRM130-N102 and PRM130-N112	1
2	3922104	Seal, Oil	1
3	2662503	Guard, Oil Seal	1
4	1220143	Bearing Cone - Inner	1
5	1200143	Bearing Cup - Inner	1
6	4271800	Stud, Wheel	12
7	3151800	Nut, Wheel	12
8		Hub and Bearing Cup Ass'y	N/A
9	4282511	Stud	12
10	9/16-18UNF	Nut	12
11	9/16	Washer, Lock	12
12	3502502	Plug, Drain	1
13	1200144	Bearing Cup - Outer	1
14	1220144	Bearing Cone - Outer	1
15	2502504	Hub and Sleeve Ass'y	1
16	3152503	Nut, Adjusting	1
17	3032500	Lock	2
18	2482512	Gear, Annulus	1
19	4422505	Washer, Thrust	1
20	2462501	Gear, Sun	1
21	3682503	Snapping	1
22	4422507	Washer, Thrust - Inner	3
23	2442502	Gear, Planetary	3
24	4422506	Washer, Thrust - Outer	3
25	4172506	Spider	1
26	3332504	Pin, Planetary - Bronze	3

Manufacturers' names, part numbers and model numbers are for reference purposes only. We do not suggest or imply that any item is that of the original manufacturer. (c) 1991 Aftermarket Parts Inc.

# Rockwell Planetary

REF	AFTERMARKET NO.	DESCRIPTION/COMMENT	QTY
27		Silicone	N/A
28	1382501	Button, Thrust	1
29	1382502	Button, Thrust	3
30	1172513	Bolt	8
	4442503	Washer	8
31	3512502	Plug, Oil Level	1
32	1742501	Cover and Thrust Button Ass'y	1

Manufacturers' names, part numbers and model numbers are for reference purposes only. We do not suggest or imply that any item is that of the original manufacturer. (c) 1991 Aftermarket Parts Inc.



## Rockwell Planetary

PRC726-N200





# Rockwell Planetary

## Model Numbers:

PRC726-N200

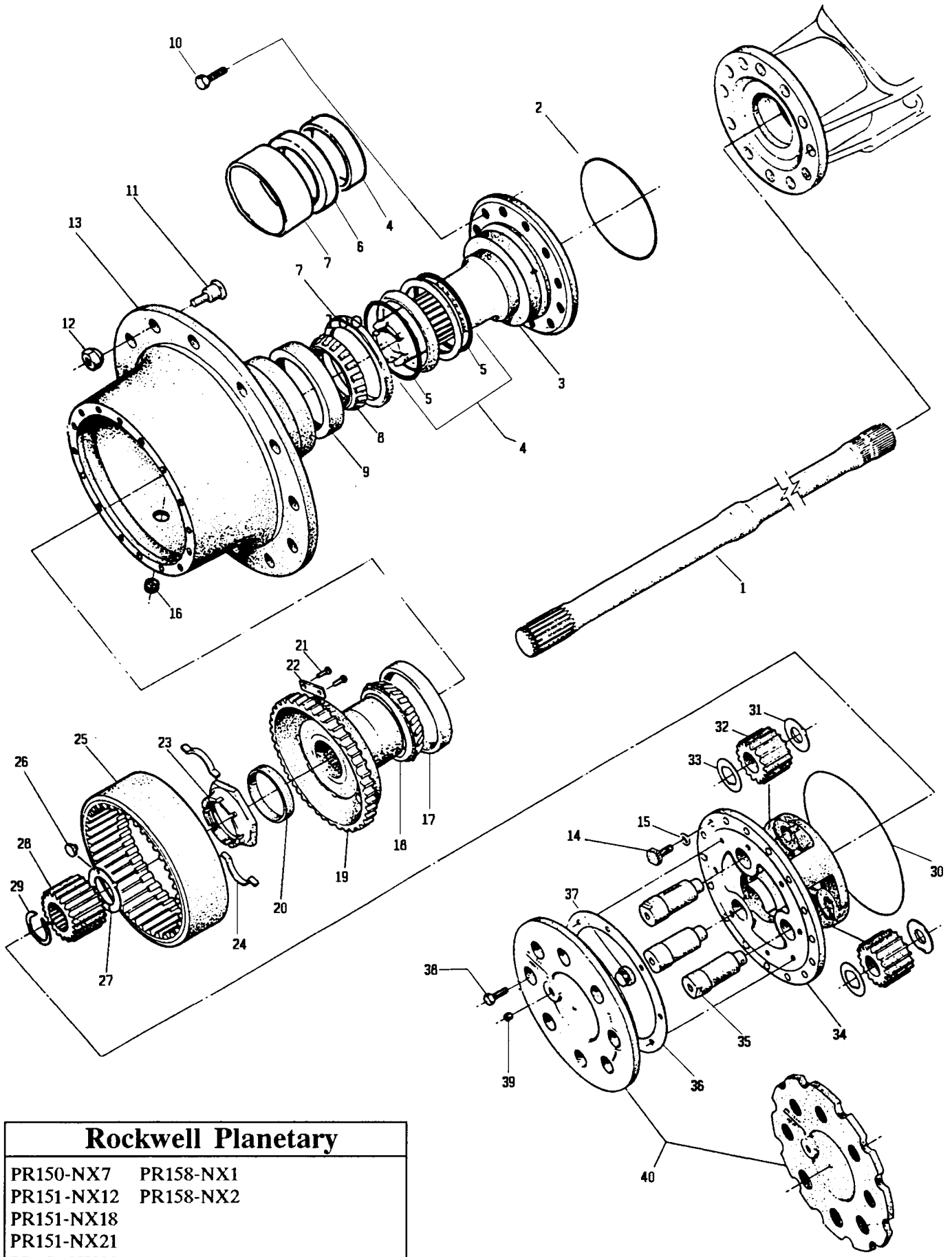
REF	AFTERMARKET NO.	DESCRIPTION/COMMENT	QTY
1	4002541	Shaft, Axle	2
2		Silicone	N/A
3	4192512	Spindle	1
4	3921800	Seal, Hub	1
5		O'Ring	2
6	2662502	Seat, Oil Seal	1
7	1220143	Bearing Cone - Inner	1
8	1200143	Bearing Cup - Inner	1
9	9/16-18UNFX2	Capscrew Gr. 8	12
	9/16	Washer, Flat	12
10	4271800	Stud, Wheel	12
11	3151800	Nut, Wheel	12
12		Hub Ass'y	N/A
13	9/16-12UNCX1 3/4	Capscrew	18
14	9/16	Washer, Flat	18
15	3032508	Plug, Drain	1
16	1200144	Bearing Cup - Inner	1
17	1220144	Bearing Cone - Inner	1
18	2502510	Hub and Sleeve Ass'y	1
19	1172512	Capscrew	1
20	3032508	Lock	1
21	3152509	Nut, Adjusting	1
22	2483509	Gear, Annulus	1
23	4422511	Washer	1
24	2462511	Gear, Sun	1
25	3682503	Snapping	1
26		Silicone	N/A
27	4422500	Washer - Inner	3
28	2442510	Gear, Planetary	3
29	4422502	Washer - Outer	3

Manufacturers' names, part numbers and model numbers are for reference purposes only. We do not suggest or imply that any item is that of the original manufacturer. (c) 1991 Aftermarket Parts Inc.

# Rockwell Planetary

REF	AFTERMARKET NO.	DESCRIPTION/COMMENT	QTY
	4182509	Planetary Ass'y	1
30	4172509	Spider	1
31	3332510	Pin, Planetary	3
32	3172506	O'Ring	3
33	1382501	Button, Thrust	1
34	1382502	Button, Thrust	3
35	3902501	Setscrew	3
36	3502500	Plug, Oil Level	1

Manufacturers' names, part numbers and model numbers are for reference purposes only. We do not suggest or imply that any item is that of the original manufacturer. (c) 1991 Aftermarket Parts Inc.



### Rockwell Planetary

PR150-NX7	PR158-NX1
PR151-NX12	PR158-NX2
PR151-NX18	
PR151-NX21	
PR151-NX22	



# Rockwell Planetary

**Model Numbers:**

PR150-NX7	PR151-NX21	PR158-NX2
PR151-NX12	PR151-NX22	
PR151-NX18	PR158-NX1	

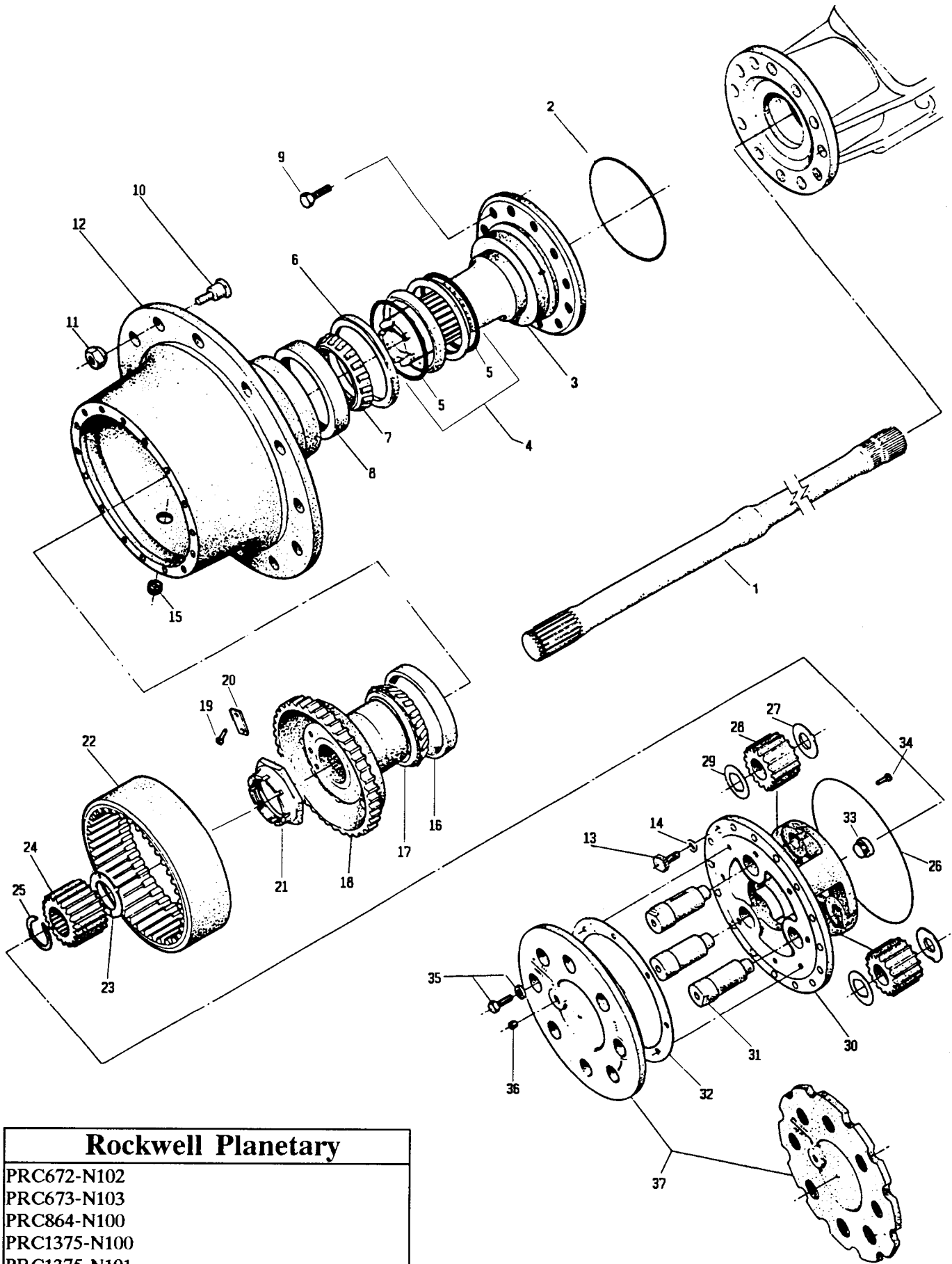
REF	AFTERMARKET NO.	DESCRIPTION/COMMENT	QTY
1	4002523	Shaft, Axle - PR150-NX7	1
	4002543	Shaft, Axle - PR151-NX12, NX18, NX21, NX22	1
	4002544	Shaft, Axle - Hardened - PR151-NX12, NX18, NX21 and NX22	1
	4002545	Shaft, Axle - PR158-NX1, NX2	1
2	4002546	Shaft, Axle - PR158-NX1, NX2	1
		Silicone	N/A
3	4192505	Spindle - PR150-NX7, PR151-NX12, NX18, NX21 and NX22	1
	4192506	Spindle - PR158-NX1, NX2	1
4	3921800	Seal, Hub - Cat. Type	1
	3922176	Seal, Oil - PR158-NX1, NX2	1
5	3171800	O'Ring - Cat. Type Seal	2
6	4112501	Sleeve, Wear	1
7	2662502	Seat, Oil Seal	1
8	2662506	Guard, Oil Seal	1
	1220122	Bearing Cone - Inner - PR150-NX7, PR151-NX12, NX18, NX21, NX22	1
9	1220160	Bearing Cone - Inner - PR158-NX1, NX2	
	1200122	Bearing Cup - Inner - PR150-NX7, PR151-NX12, NX18, NX21, NX22	1
10	1200156	Bearing Cup - Inner - PR158-NX1, NX2	
	5/8-11UNCX2 1/4	Bolt, Gr. 8	14
11	4271800	Stud, Wheel	12
12	3151800	Nut, Wheel	12
13		Hub and Bearing Cup Ass'y	N/A
14	1/2-13UNCX1 5/8	Bolt, Gr. 8	16
15	4442500	Washer, Flat	16
16	3502502	Plug, Drain	1

Manufacturers' names, part numbers and model numbers are for reference purposes only. We do not suggest or imply that any item is that of the original manufacturer. (c) 1991 Aftermarket Parts Inc.

## Rockwell Planetary

REF	AFTERMARKET NO.	DESCRIPTION/COMMENT	QTY
17	1200166	Bearing Cup - Outer - PR150-NX7, PR151-NX12, NX18, NX21, NX22	1
	1200119	Bearing Cup - Outer - PR158-NX1, NX2	1
18	1220166	Bearing Cone - Outer - PR150-NX7, PR151-NX12, NX18, NX21, NX22	1
	1220119	Bearing Cone - Outer - PR158-NX1, NX2	1
19	2502506	Hub and Sleeve Ass'y	1
20		Sleeve	N/A
21	1172514	Bolt	8
22	3032505	Lock	4
23	3152502	Nut, Adjusting	1
24	3032506	Lock	2
25	2482500	Gear, Annulus	1
26		Pin, Dowel	N/A
27	4422503	Washer	1
28	2462503	Gear, Sun	1
29	3682514	Snapping	1
30		Silicone	N/A
31	4422508	Washer - Inner	3
32	2442505	Gear, Planetary	3
33	4422504	Washer - Outer	3
34	4172511	Spider	1
35	3332506	Pin, Planetary	3
36		Silicone	N/A
37	1382501	Button, Thrust	1
38	1172513	Bolt	8
39	3512502	Plug, Oil Level	1
40	1742508	Cover and Thrust Button	1

Manufacturers' names, part numbers and model numbers are for reference purposes only. We do not suggest or imply that any item is that of the original manufacturer. (c) 1991 Aftermarket Parts Inc.



### Rockwell Planetary

PRC672-N102  
 PRC673-N103  
 PRC864-N100  
 PRC1375-N100  
 PRC1375-N101  
 PRC1375-N102





# Rockwell Planetary

**Model Numbers:**

PRC672-N102	PRC1375-N100
PRC673-N103	PRC1375-N101
PRC864-N100	PRC1375-N102

REF	AFTERMARKET NO.	DESCRIPTION/COMMENT	QTY
1	4002528	Shaft, Axle - PRC672-N102	1
	4002529	Shaft, Axle - Long - PRC673-N103	1
	4002530	Shaft, Axle - Short - PRC673-N103	1
	4002531	Shaft, Axle - Long - PRC1375-N100	1
	4002532	Shaft, Axle - Short - PRC1375-N100	1
	4002533	Shaft, Axle - Long - PRC1375-N101, N102, PRC864-N100	1
	4002534	Shaft, Axle - Short - PRC1375-N101, N102, PRC684-N100	1
2	3172504	O'Ring	1
3	4192505	Spindle - PRC672-N102, PRC673-N103	1
	4192507	Spindle - PRC864-N100, PRC1375-N100, N101, N102	1
4	3921800	Seal , Hub - Cat. Type - PRC672-N102, PRC673-N103	1
5	3922175	Seal, Oil - PRC864-N100, PRC1375-N100, N101, N102	1
	3171800	O'Ring, Oil Seal - Cat. Type - PRC672- N102, PRC673-N103	2
6	2662502	Seat, Oil Seal - PRC672-N102, PRC673-N103	1
7	2662504	Guard, Oil Seal -PRC864-N100, PRC1375-N100, N101, N102	1
	1220122	Bearing Cone - Inner - PRC672-N102, PRC673-N103	1
	1220160	Bearing Cone - Inner - PRC864-N100, PRC1375-N100, N101, N102	1
8	1200122	Bearing Cup - Inner - PRC672-N102, PRC673-N103	1
	1200156	Bearing Cup - Inner - PRC864-N100, PRC1375-N100, N101, N102	1

Manufacturers' names, part numbers and model numbers are for reference purposes only. We do not suggest or imply that any item is that of the original manufacturer. (c) 1991 Aftermarket Parts Inc.

# Rockwell Planetary

REF	AFTERMARKET NO.	DESCRIPTION/COMMENT	QTY
9	5/8-11UNCX2 1/4	Bolt Gr. 8	14
10	4271800	Stud, Wheel	12
11	3151800	Nut, Wheel	12
12		Hub and Bearing Cup Ass'y	N/A
13	1/2-13UNCX1 1/2	Bolt Gr. 8	16
14	4442500	Washer, Flat	16
15	3502502	Plug, Drain	1
16	1200166	Bearing Cup - Outer - PRC672-N102, PRC673-N103	1
	1200119	Bearing Cup - Outer - PRC864-N100, PRC1375-N100, N101, N102	1
17	1220166	Bearing Cone - Outer - PRC672-N102, PRC673-N103	1
	1220119	Bearing Cone - Outer - PRC864-N100, PRC1375-N100, N101, N102	1
18	2502507	Hub and Sleeve Ass'y	1
19	1172515	Bolt	2
20	3032507	Lock	1
21	3152500	Nut, Adjusting	1
22	2482513	Gear, Annulus	1
23	4422514	Washer, Thrust	1
24	2462503	Gear, Sun	1
25	3682514	Snapping	1
26		Silicone	N/A
27	4422508	Washer, Thrust - Inner	3
28	2442505	Gear, Planetary	3
29	4422504	Washer, Thrust - Outer	3
30	4172512	Spider	1
31	3332506	Pin, Planetary - Steel	3
32		Silicone	N/A
33	1382501	Button, Thrust	1
34	1382502	Button, Thrust	3
35	1172513	Bolt	8
	4442503	Washer	8
36	3502502	Plug, Oil Level	1

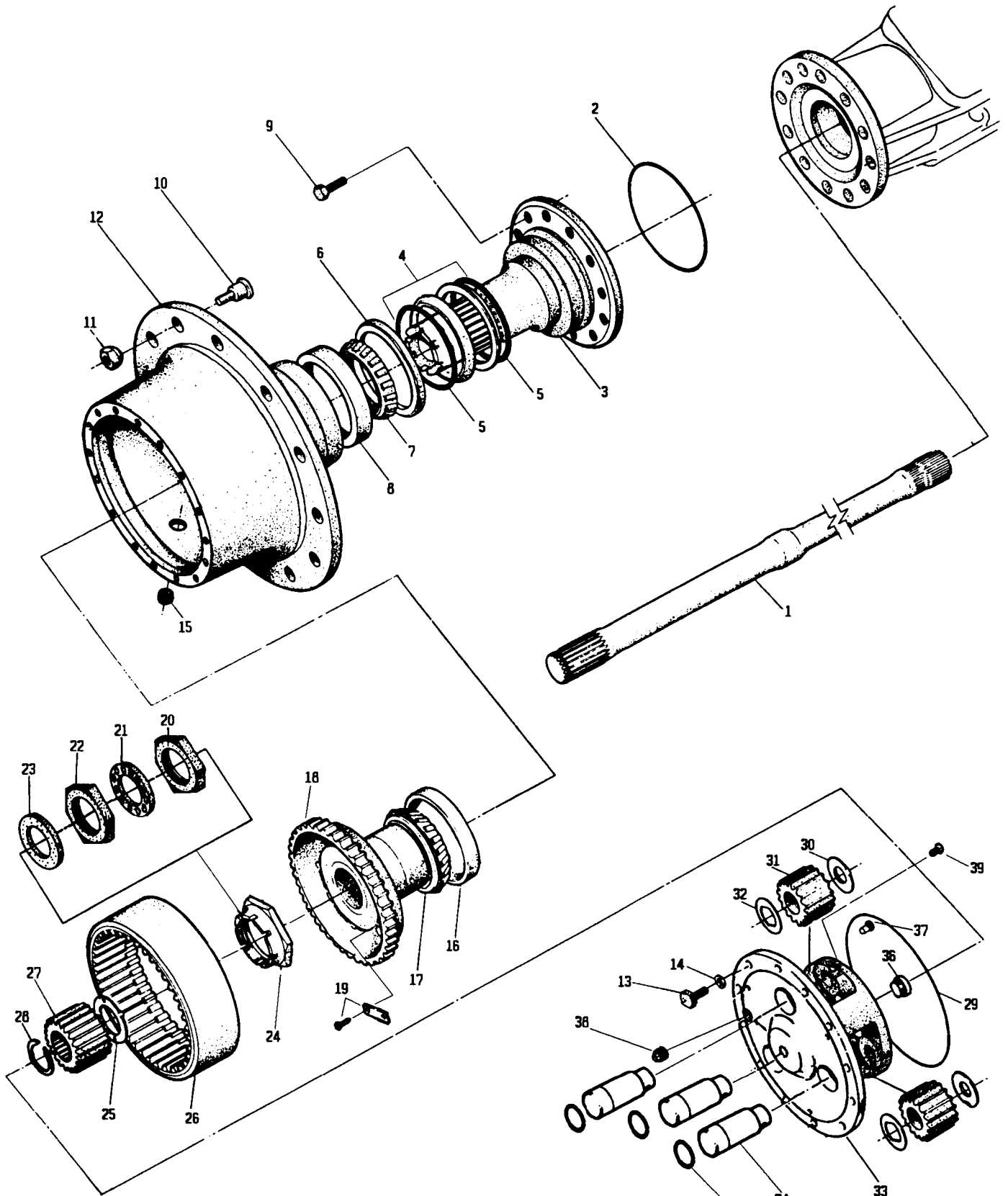
Manufacturers' names, part numbers and model numbers are for reference purposes only. We do not suggest or imply that any item is that of the original manufacturer. (c) 1991 Aftermarket Parts Inc.

# Rockwell Planetary

REF	AFTERMARKET NO.	DESCRIPTION/COMMENT	QTY
37	1742508	Cover and Thrust Button	1

Manufacturers' names, part numbers and model numbers are for reference purposes only. We do not suggest or imply that any item is that of the original manufacturer. (c) 1991 Aftermarket Parts Inc.





### Rockwell Planetary

PRC672-N200	PRC863-N200
PRC672-N204	PRC863-N201
PRC672-N205	PRC864-N200
PRC673-N201	PRC864-N201
PRC673-N202	PRC864-N202

Manufacturer's names, part numbers and model numbers are for reference purposes only. We do not suggest or imply that any item is that of the original manufacturer. ©1991 Aftermarket Parts, Inc.



# Rockwell Planetary

**Model Numbers:**

PRC672-N200	PRC863-N200
PRC672-N204	PRC863-N201
PRC672-N205	PRC864-N200
PRC673-N201	PRC864-N201
PRC673-N202	PRC864-N202

REF	AFTERMARKET NO.	DESCRIPTION/COMMENT	QTY
1	4002528	Shaft, Axle - PRC672-N200	2
	4002533	Shaft, Axle - PRC673-N201, PRC864-N200, N201, N202	1
	4002536	Shaft, Axle - PRC673-N201	1
	4002535	Shaft, Axle - PRC673-N202	2
	4002537	Shaft, Axle - PRC672-N204	2
	4002538	Shaft, Axle - PRC672-N205	2
	4002539	Shaft, Axle - PRC863-N200, N201	1
	4002540	Shaft, Axle - PRC863-N200, N201	1
	4002534	Shaft, Axle - PRC864-N200	1
2	4002542	Shaft, Axle - PRC864-N201, N202	1
		Silicone	1
3	4192508	Spindle	1
	4192509	Spindle - PRC863-N200, N201	1
	4192511	Spindle - PRC864-N200	1
4	4192510	Spindle - PRC864-N201, N202	1
	3921800	Seal, Hub - Cat. Type	1
	3922175	Seal, Oil - PRC864-N200	1
5	3171800	O'Ring, Oil Seal - Cat. Type	2
6	2662502	Seat, Oil Seal	1
	2662507	Seat, Oil Seal - PRC863-N200, N201, PRC864-N201, N202	1
	2662504	Guard, Oil Seal - PRC864-N200	1
	2662505	Guard, Oil Seal - PRC864-N200	1
	7	1220122	Bearing Cone - Inner
8	1220160	Bearing Cone - Inner - PRC863-N200, N201, PRC864-N200, N201, N202	1
	1200122	Bearing Cup - Inner	1
	1200156	Bearing Cup - Inner - PRC863-N200, N201, PRC864-N200, N201, N202	1

Manufacturers' names, part numbers and model numbers are for reference purposes only. We do not suggest or imply that any item is that of the original manufacturer. (c) 1991 Aftermarket Parts Inc.



# Rockwell Planetary

REF	AFTERMARKET NO.	DESCRIPTION/COMMENT	QTY
9	5/8-11UNCX2 1/4	Bolt	14
10	4272500	Stud, Wheel	12
11	3151800	Nut, Wheel	12
12		Hub and Bearing Cup Ass'y	N/A
13	1/2-13UNCX1 1/2	Bolt	16
14	4442500	Washer, Flat	16
15	3502502	Plug, Drain	1
16	1200166	Bearing Cup - Outer	1
	1200119	Bearing Cup - Outer - PRC863-N200, N201, PRC864-N200, N201, N202	1
17	1200166	Bearing Cone - Outer	1
	1220119	Bearing Cone - Outer - PRC863-N200, N201, PRC864-N200, N201, N202	1
18	2502508	Hub and Sleeve Ass'y	1
	2502509	Hub and Sleeve Ass'y - PRC863-N200, N201, PRC864-N200, N201, N202	1
19	3032507	Kit	1
20	3152507	Nut - Inner - PRC672-N200, N204, N205 PRC673-N201, N202	1
21	4432504	Washer, Lock - PRC672-N200, N204, N205, PRC673-N201, N202	1
22	3152508	Nut - Outer - PRC672-N200, N204, N205, PRC673-N201, N202	1
23	4422516	Washer, Thrust - PRC672-N200, N204, N205, PRC673-N201, N202	1
24	3152500	Nut, Adjusting - PRC863-N200, N201, PRC864-N200, N201, N202	1
25	4422514	Washer - PRC863-N200, N201, PRC864-N201, N202	1
26	2482513	Gear, Annulus	1
27	2462503	Gear, Sun	1
28	3682514	Snapping	1
29		Silicone	N/A
30	4422508	Washer, Thrust - Inner	3
31	2442505	Gear, Planetary	3

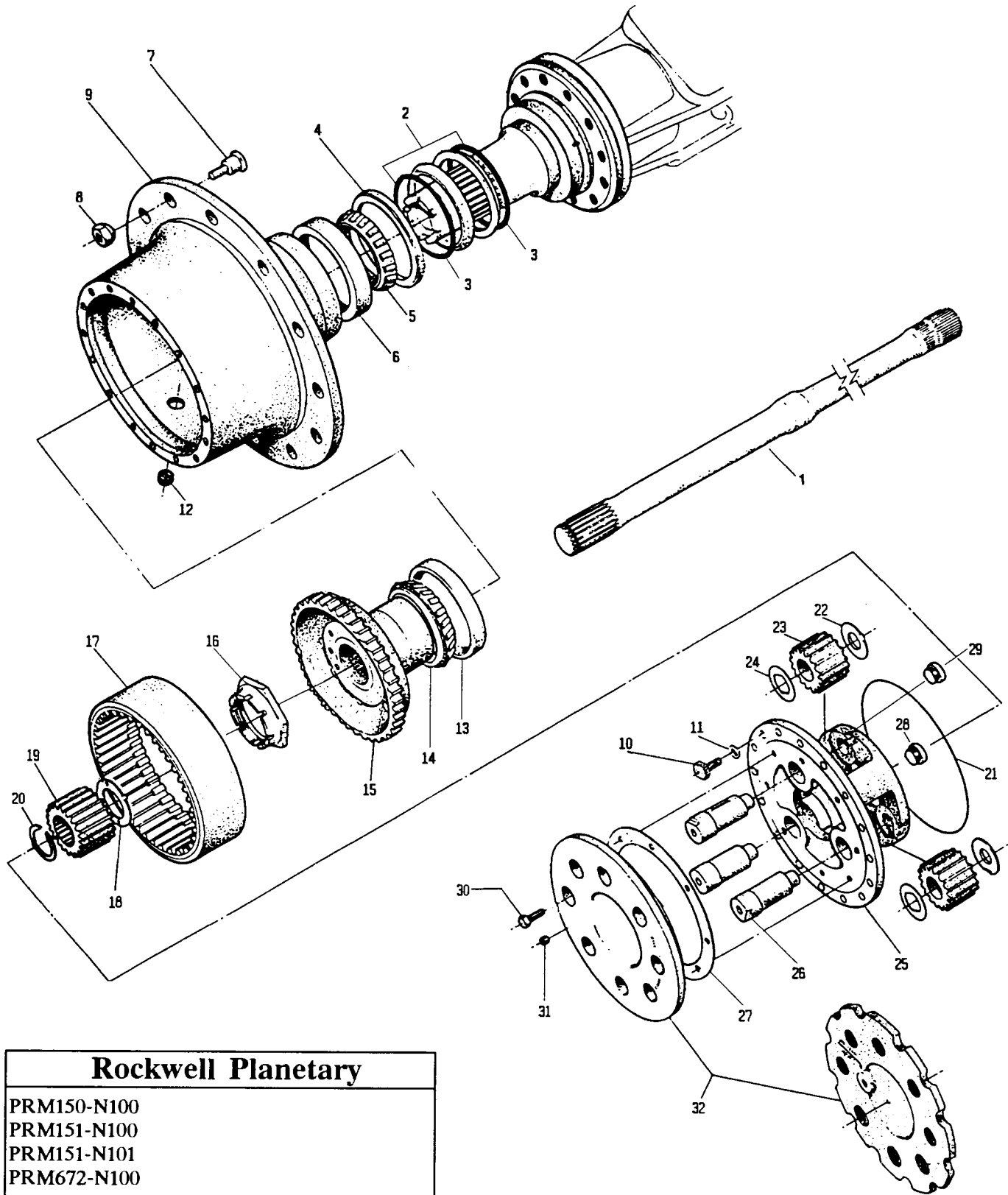
Manufacturers' names, part numbers and model numbers are for reference purposes only. We do not suggest or imply that any item is that of the original manufacturer. (c) 1991 Aftermarket Parts Inc.

# Rockwell Planetary

REF	AFTERMARKET NO.	DESCRIPTION/COMMENT	QTY
32	4422504	Washer, Thrust - Outer	3
33	4172513	Spider	1
	4172514	Spider - PRC863-N200, N201, PRC864-N200, N201, N202	1
34	3332512	Pin, Planetary - PRC864-N200	3
	3332508	Pin, Planetary	3
35	3172504	O'Ring	3
36	1382501	Button, Thrust	1
37	1382502	Button, Thrust	3
38	3502502	Plug, Oil Level	1
39	3902501	Setscrew	3

Manufacturers' names, part numbers and model numbers are for reference purposes only. We do not suggest or imply that any item is that of the original manufacturer. (c) 1991 Aftermarket Parts Inc.





<h3>Rockwell Planetary</h3>
PRM150-N100 PRM151-N100 PRM151-N101 PRM672-N100



# Rockwell Planetary

**Model Numbers:**

PRM150-N100	PRM151-N101
PRM151-N100	PRM672-N100

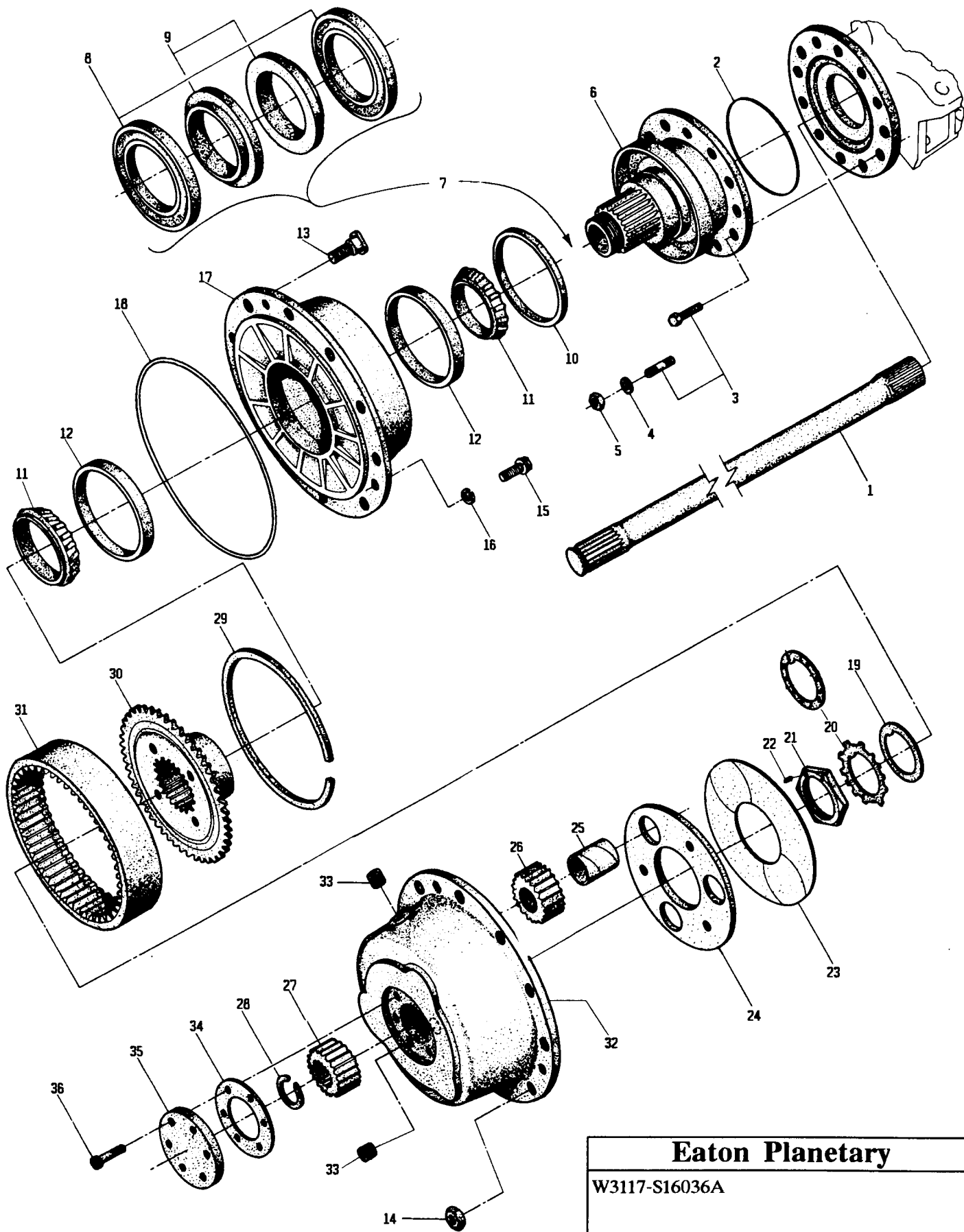
REF	AFTERMARKET NO.	DESCRIPTION/COMMENT	QTY
1	4002523	Shaft, Axle - PRM150-N100	1
	4002543	Shaft, Axle - PRM151-N100, N101, PRM672-N100	1
	4002544	Shaft, Axle - PRM151-N100, N101, PRM672-N100	1
2	3921800	Seal, Hub - Cat. Type	1
3	3171800	O'Ring, - Cat. Type Seal	2
4	2662502	Seat, Oil Seal	1
5	1220122	Bearing Cone - Inner	1
6	1200122	Bearing Cup - Inner	1
7	4271800	Stud, Wheel	12
8	3151800	Nut, Wheel	12
9		Hub and Bearing Cup Ass'y	N/A
10	1/2-13UNCX1 5/8	Bolt	16
11	4442500	Washer, Flat	16
12	3502502	Plug, Drain	1
13	1200166	Bearing Cup - Outer	1
14	1220166	Bearing Cone - Outer	1
15	2502507	Hub and Sleeve Ass'y	1
16	3152500	Nut, Adjusting	1
17	2482513	Gear, Annulus	1
18	4422514	Washer, Thrust	1
19	2462503	Gear, Sun	1
20	3682514	Snapping	1
21		Silicone	N/A
22	4422508	Washer, Thrust - Inner	3
23	2442505	Gear, Planetary	3
24	4422504	Washer, Thrust - Outer	3
	4182512	Planetary Ass'y	1
25	4172512	Spider	1

Manufacturers' names, part numbers and model numbers are for reference purposes only. We do not suggest or imply that any item is that of the original manufacturer. (c) 1991 Aftermarket Parts Inc.

# Rockwell Planetary

REF	AFTERMARKET NO.	DESCRIPTION/COMMENT	QTY
26	3332506	Pin, Planetary	3
27		Silicone	N/A
28	1382501	Button, Thrust	1
29	1382502	Button, Thrust	3
30	1172513	Bolt	8
31	3512502	Plug, Oil Level	1
32	1742508	Cover and Thrust Button	1

Manufacturers' names, part numbers and model numbers are for reference purposes only. We do not suggest or imply that any item is that of the original manufacturer. (c) 1991 Aftermarket Parts Inc.



<p><b>Eaton Planetary</b></p> <p>W3117-S16036A</p>
--





# Eaton Planetary

**Model Numbers:**  
W3117-S16036A

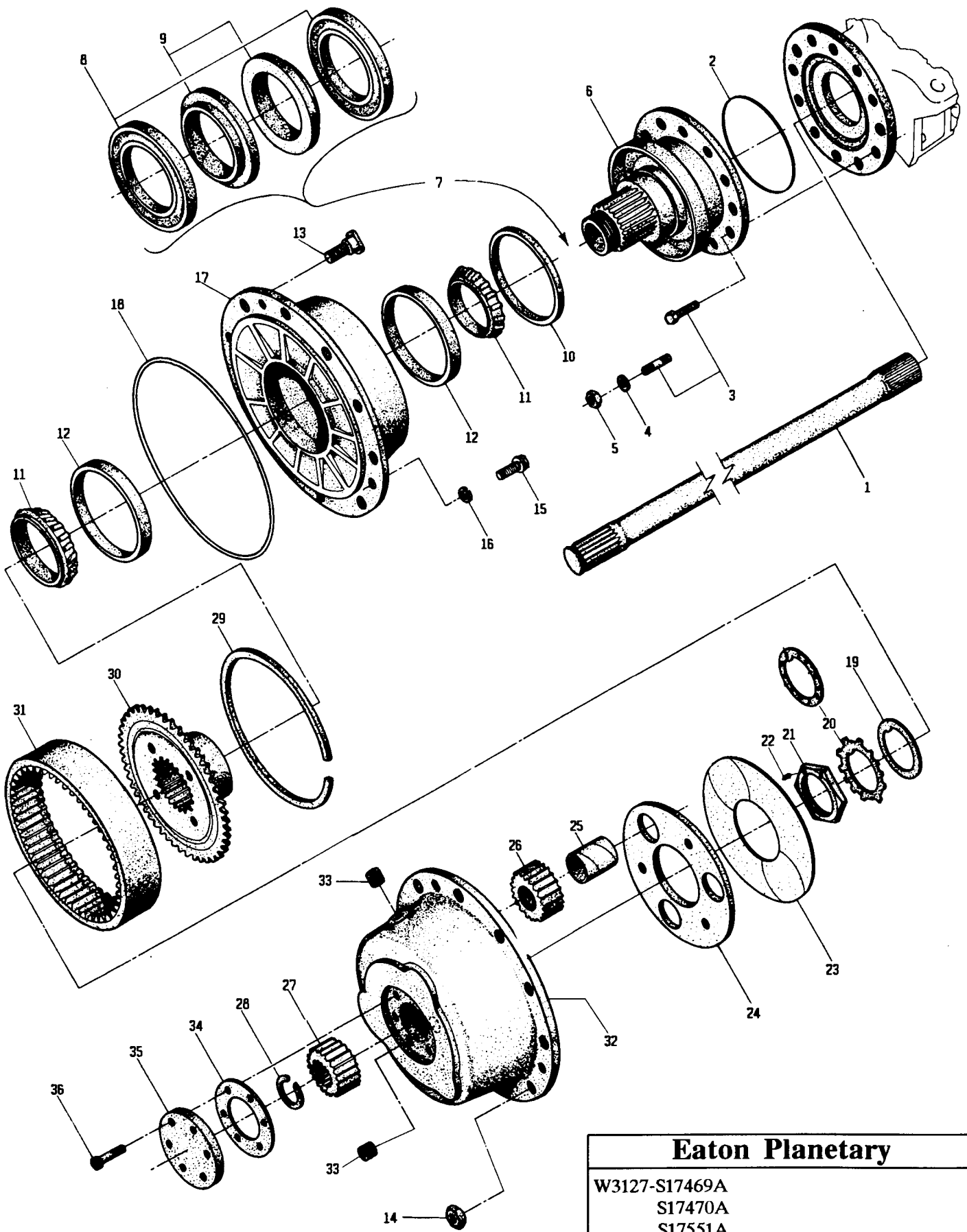
REF	AFTERMARKET NO.	DESCRIPTION/COMMENT	QTY
1	4000702	Shaft, Axle	1
2	3172502	O'Ring	1
3	3/4X3 1/4	Stud	12
		Bolt	A/R
4		Washer	N/U
5	3/4-16UNF	Nut	12
6	4190700	Spindle Ass'y	1
7	3922903	Oil Seal Ass'y	1
8	3922904	Seal, Flexible Rubber	2
9		Band, Seal	N/A
10	3680700	Snpring - Split	1
11	1220144	Bearing Cone - Inner	1
	1220144	Bearing Cone - Outer	1
12	1200144	Bearing Cup - Inner	1
	1200144	Bearing Cup - Outer	1
13	4272900	Stud, Wheel	12
14	3151800	Nut, Wheel	12
15	7/16-14UNCX1 1/4	Bolt	3
16	7/16	Washer, Lock	3
17		Hub and Cup Ass'y	N/A
18	3170700	O'Ring	1
19	4430700	Washer - Tanged	1
20	3030700	Lock - Old Style	1
	4430702	Washer, Lock - New Style	1
21	3150700	Nut, Adjusting	1
22	3900700	Setscrew	1
23	4420700	Washer, Retainer Plate	1
24	3460700	Plate, Retainer	1
25	3330701	Pin, Planetary	3
26	2440700	Gear, Planetary	3

Manufacturers' names, part numbers and model numbers are for reference purposes only. We do not suggest or imply that any item is that of the original manufacturer. (c) 1991 Aftermarket Parts Inc.

# Eaton Planetary

REF	AFTERMARKET NO.	DESCRIPTION/COMMENT	QTY
27	2460700	Gear, Sun	1
28	3682904	Snapping	1
29	3702903	Ring, Retaining	1
30	2500700	Mount, Ring Gear	1
31	2480703	Ring Gear, Planetary	1
32	4170700	Carrier, Planetary	1
33	3502500	Plug, Oil Filler and Drain	2
34		Silicone	N/A
35	1750700	Cover	1
36	1170707	Bolt	6

Manufacturers' names, part numbers and model numbers are for reference purposes only. We do not suggest or imply that any item is that of the original manufacturer. (c) 1991 Aftermarket Parts Inc.



## Eaton Planetary

W3127-S17469A  
 S17470A  
 S17551A  
 S21064A  
 S21721A



# Eaton Planetary

**Model Numbers:**

W3127-S17469A	W3127-S21064A
W3127-S17470A	W3127-S21721A
W3127-S17551A	

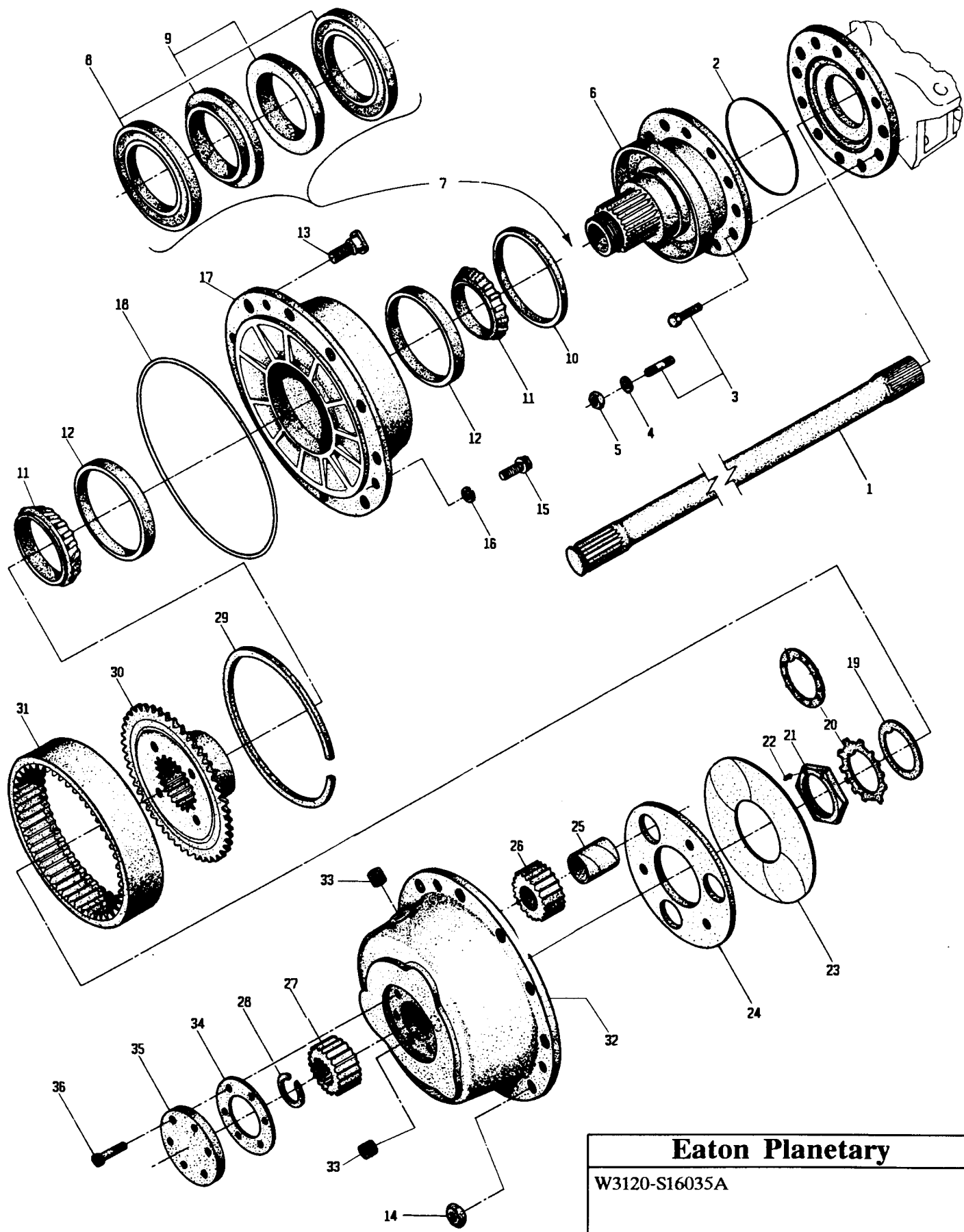
REF	AFTERMARKET NO.	DESCRIPTION/COMMENT	QTY
1	4000701	Shaft, Axle	1
2	3172502	O'Ring	1
3	3/4X3 1/4	Stud	12
		Bolt	A/R
4		Washer	N/U
5	3/4-16UNF	Nut	12
6	4190700	Spindle Ass'y	1
7	3922903	Oil Seal Ass'y	1
8	3922904	Seal, Flexible Rubber	2
9		Band, Seal	N/A
10	3680700	Snapping - Split	1
11	1220144	Bearing Cone - Inner	1
	1220144	Bearing Cone - Outer	1
12	1200144	Bearing Cup - Inner	1
	1200144	Bearing Cup - Outer	1
13	4272900	Stud, Wheel	12
14	3151800	Nut, Wheel	12
15	7/16-14UNCX1 1/4	Bolt Gr. 8	3
16	7/16	Washer, Lock	3
17		Hub and Cup Ass'y	N/A
18	3170700	O'Ring	1
19	4430700	Washer - Tanged	1
20	3030700	Lock - Old Style	1
	4430702	Washer, Lock - New Style	1
21	3150700	Nut, Adjusting	1
22	3900700	Setscrew	1
23	4420700	Washer, Retainer Plate	1
24	3460700	Plate, Retainer	1
25	3330701	Pin, Planetary	3
26	2440700	Gear, Planetary	3

Manufacturers' names, part numbers and model numbers are for reference purposes only. We do not suggest or imply that any item is that of the original manufacturer. (c) 1991 Aftermarket Parts Inc.

# Eaton Planetary

REF	AFTERMARKET NO.	DESCRIPTION/COMMENT	QTY
27	2460700	Gear, Sun	1
28	3682904	Snpring	1
29	3702903	Ring, Retaining	1
30	2500700	Mount, Ring Gear	1
31	2480703	Ring Gear, Planetary	1
32	4170700	Carrier, Planetary	1
33	3502500	Plug, Oil Filler and Drain	2
34		Silicone	N/A
35	1750700	Cover	1
36	1170707	Bolt	6

Manufacturers' names, part numbers and model numbers are for reference purposes only. We do not suggest or imply that any item is that of the original manufacturer. (c) 1991 Aftermarket Parts Inc.



<p><b>Eaton Planetary</b></p> <p>W3120-S16035A</p>
--





# Eaton Planetary

**Model Numbers:**  
W3120-S16035A

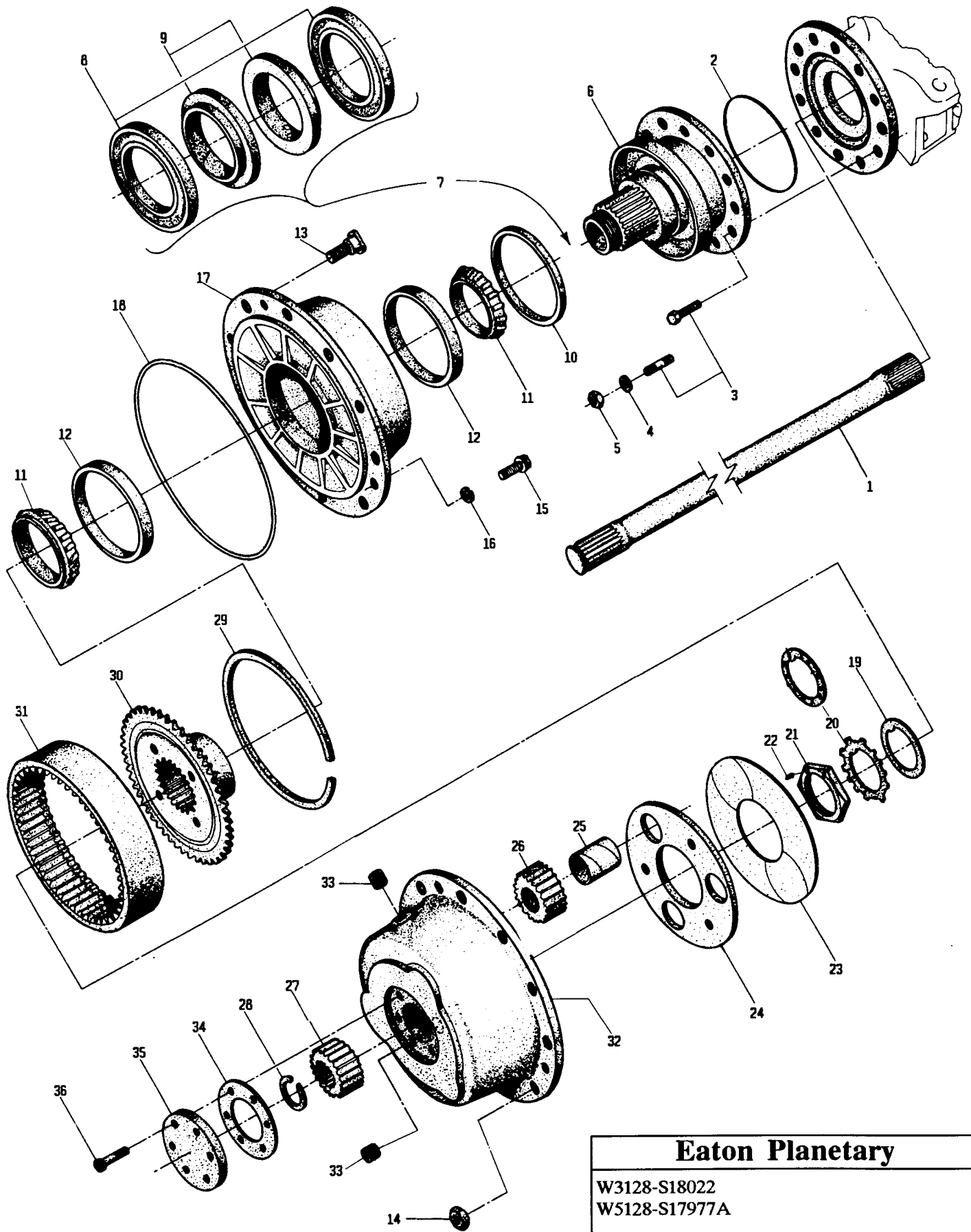
REF	AFTERMARKET NO.	DESCRIPTION/COMMENT	QTY
1	4000703	Shaft, Axle	1
2	3172502	O'Ring	1
3	3/4X3 1/4	Stud	12
		Bolt	A/R
4		Washer	N/U
5	3/4-16UNF	Nut	12
6	4190700	Spindle Ass'y	1
7	3922903	Oil Seal Ass'y	1
8	3922904	Seal, Flexible Rubber	2
9		Band, Seal	N/A
10	3680700	Snapring - Split	1
11	1220144	Bearing Cone - Inner	1
	1220144	Bearing Cone - Outer	1
12	1200144	Bearing Cup - Inner	1
	1200144	Bearing Cup - Outer	1
13	4272900	Stud, Wheel	12
14	3151800	Nut, Wheel	12
15	7/16-14UNCX1 1/4	Bolt	3
16	7/16	Washer, Lock	3
17		Hub and Cup Ass'y	N/A
18	3170700	O'Ring	1
19	4430700	Washer, Tanged	1
20	3030700	Lock - Old Style	1
	4430702	Washer, Lock - New Style	1
21	3150700	Nut, Adjusting	1
22	3900700	Setscrew	1
23	4420700	Washer, Retainer Plate	1
24	3460700	Plate, Retainer	1
25	3330701	Pin, Planetary	3
26	2440700	Gear, Planetary	3

Manufacturers' names, part numbers and model numbers are for reference purposes only. We do not suggest or imply that any item is that of the original manufacturer. (c) 1991 Aftermarket Parts Inc.

# Eaton Planetary

REF	AFTERMARKET NO.	DESCRIPTION/COMMENT	QTY
27	2460700	Gear, Sun	1
28	3680701	Snpring	1
29	3702903	Ring, Retaining	1
30	2500700	Mount, Ring Gear	1
31	2480703	Ring Gear, Planetary	1
32	4170700	Carrier, Planetary	1
33	3502500	Plug, Oil Filler and Drain	2
34		Silicone	N/A
35	1750700	Cover	1
36	1170707	Bolt	6

Manufacturers' names, part numbers and model numbers are for reference purposes only. We do not suggest or imply that any item is that of the original manufacturer. (c) 1991 Aftermarket Parts Inc.



<p><b>Eaton Planetary</b></p> <p>W3128-S18022 W5128-S17977A</p>
---



# Eaton Planetary

**Model Numbers:**  
W3128-S18022  
W5128-A17977A

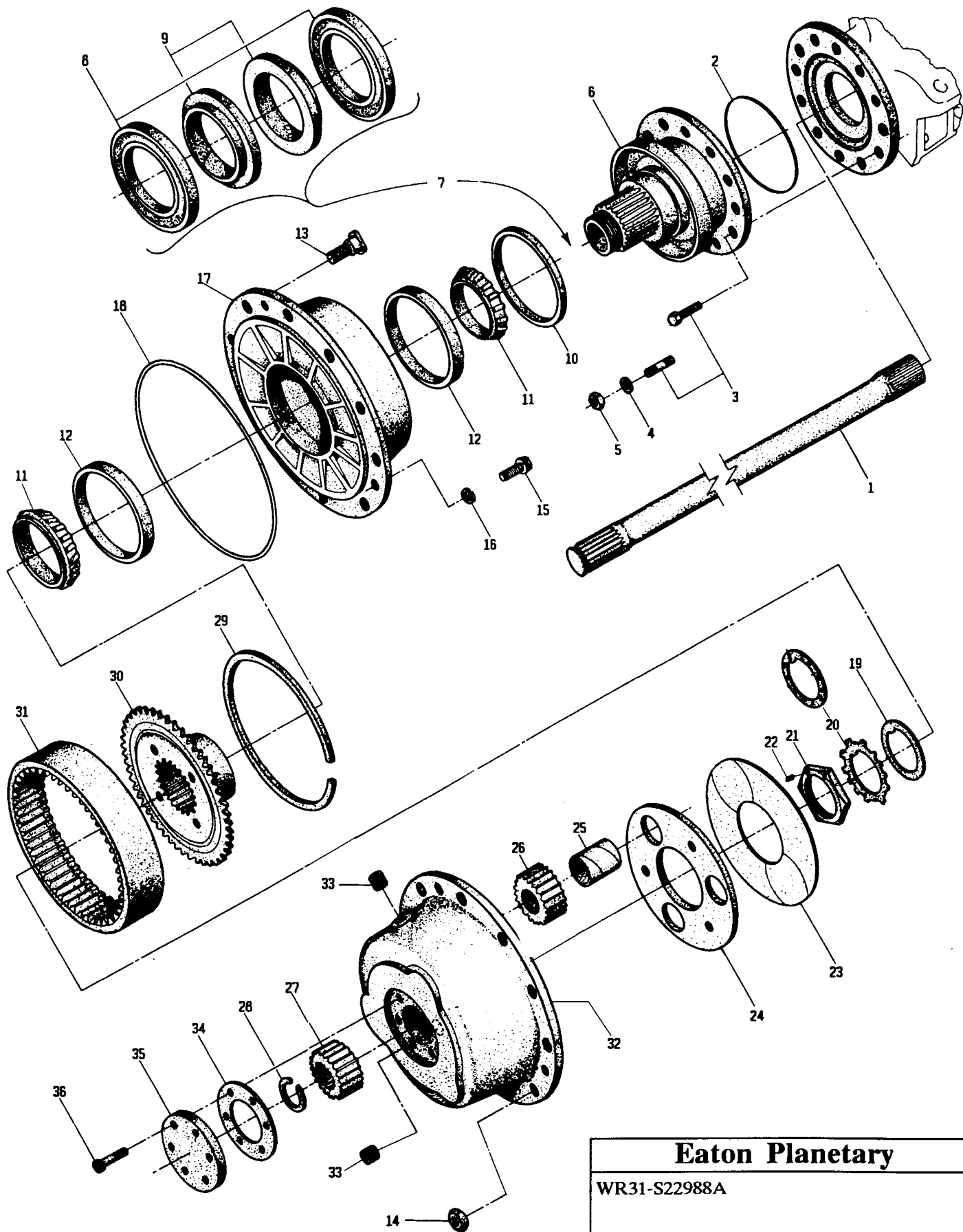
REF	AFTERMARKET NO.	DESCRIPTION/COMMENT	QTY
1	4000700	Shaft, Axle	1
2	3172502	O'Ring	1
3	3/4X3 1/4	Stud	12
		Bolt	A/R
4		Washer	N/U
5	3/4-16UNF	Nut	12
6	4190700	Spindle Ass'y	1
7	3922903	Oil Seal Ass'y	1
8	3922904	Seal, Flexible Rubber	2
9		Band, Seal	N/A
10	3680700	Snapping - Split	1
11	1220144	Bearing Cone - Inner	1
	1220144	Bearing Cone - Outer	1
12	1200144	Bearing Cup - Inner	1
	1200144	Bearing Cup - Outer	1
13	4272900	Stud, Wheel	12
14	3151800	Nut, Wheel	12
15	7/16-14UNCX1 1/4	Bolt	3
16	7/16	Washer, Lock	3
17		Hub and Cup Ass'y	N/A
18	3170700	O'Ring	1
19	4430700	Washer - Tanged	1
20	3030700	Lock - Old Style	1
	4437002	Washer, Lock - New Style	1
21	3150700	Nut, Adjusting	1
22	3900700	Setscrew	1
23	4420700	Washer, Retainer Plate	1
24	3460700	Plate, Retainer	1
25	3330700	Pin, Planetary	3
26	2440703	Gear, Planetary	3

Manufacturers' names, part numbers and model numbers are for reference purposes only. We do not suggest or imply that any item is that of the original manufacturer. (c) 1991 Aftermarket Parts Inc.

# Eaton Planetary

REF	AFTERMARKET NO.	DESCRIPTION/COMMENT	QTY
27	2460703	Gear, Sun	1
28	3682904	Snapring	1
29	3702903	Ring, Retaining	1
30	2500700	Mount, Ring Gear	1
31	2480701	Gear, Planetary Ring	1
32	4170701	Carrier, Planetary	1
33	3502500	Plug, Oil Filler and Drain	2
34		Silicone	N/A
35	1750700	Cover	1
36	1170707	Bolt	6

Manufacturers' names, part numbers and model numbers are for reference purposes only. We do not suggest or imply that any item is that of the original manufacturer. (c) 1991 Aftermarket Parts Inc.



<p><b>Eaton Planetary</b></p> <p>WR31-S22988A</p>
---





# Eaton Planetary

**Model Numbers:**  
WR31-S22988A

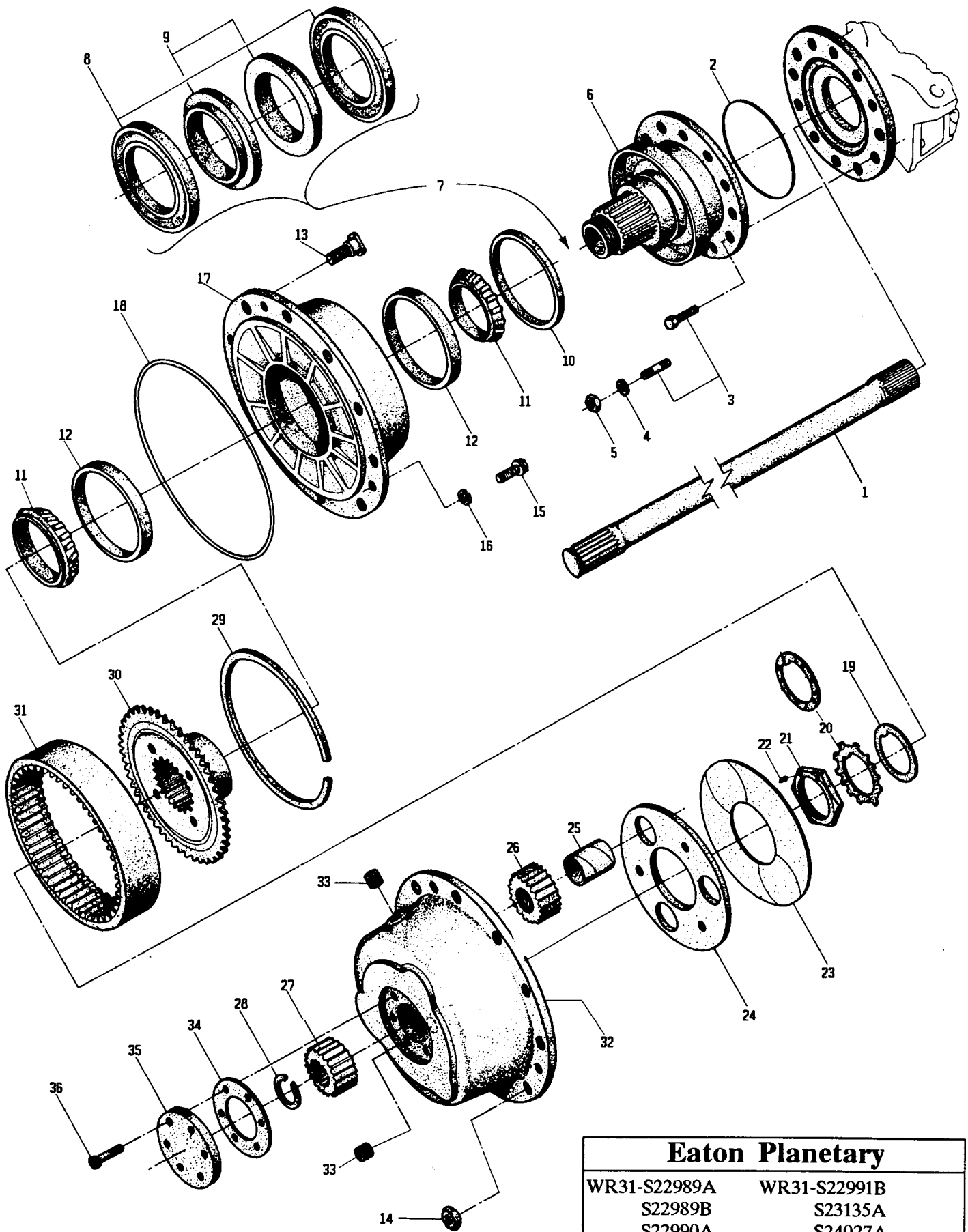
REF	AFTERMARKET NO.	DESCRIPTION/COMMENT	QTY
1	4000702	Shaft, Axle	1
2	3172502	O'Ring	1
3	3/4X3 1/4	Stud	12
		Bolt	A/R
4		Washer	N/U
5	3/4-16UNF	Nut	12
6	4190700	Spindle Ass'y	1
7	3922903	Oil Seal Ass'y	1
8	3922904	Seal, Flexible Rubber	2
9		Band, Seal	N/A
10	3680700	Snapping - Split	1
11	1220144	Bearing Cone - Inner	1
	1220144	Bearing Cone - Outer	1
12	1200144	Bearing Cup - Inner	1
	1200144	Bearing Cup - Outer	1
13	4272900	Stud, Wheel	12
14	3151800	Nut, Wheel	12
15	7/16-14UNCX1 1/4	Bolt	3
16	7/16	Washer, Lock	3
17		Hub and Cup Ass'y	N/A
18	3170700	O'Ring	1
19	4430700	Washer, Tanged	1
20	3030700	Lock - Old Style	1
	4430702	Washer, Lock - New Style	1
21	3150700	Nut, Adjusting	1
22	3900700	Setscrew	1
23	4420700	Washer, Retainer Plate	1
24	3460700	Plate, Retainer	1
25	3330701	Pin, Planetary	3
26	2440701	Gear, Planetary	3

Manufacturers' names, part numbers and model numbers are for reference purposes only. We do not suggest or imply that any item is that of the original manufacturer. (c) 1991 Aftermarket Parts Inc.

# Eaton Planetary

REF	AFTERMARKET NO.	DESCRIPTION/COMMENT	QTY
27	2460701	Gear, Sun	1
28	3682904	Snapping	1
29	3702903	Ring, Retaining	1
30	2500701	Mount, Ring Gear	1
31	2480700	Gear, Planetary Ring	1
32	4170700	Carrier, Planetary	1
33	3502500	Plug, Oil Filler and Drain	2
34		Silicone	N/A
35	1750700	Cover	1
36	1170707	Bolt	6

Manufacturers' names, part numbers and model numbers are for reference purposes only. We do not suggest or imply that any item is that of the original manufacturer. (c) 1991 Aftermarket Parts Inc.



Eaton Planetary	
WR31-S22989A	WR31-S22991B
S22989B	S23135A
S22990A	S24027A
S22990B	S24027B
S22991A	



# Eaton Planetary

**Model Numbers:**

WR31-S22989A	WR31-S22990B	WR31-S23135A
WR31-S22989B	WR31-S22991A	WR31-S24027A
WR31-S22990A	WR31-S22991B	WR31-S24027B

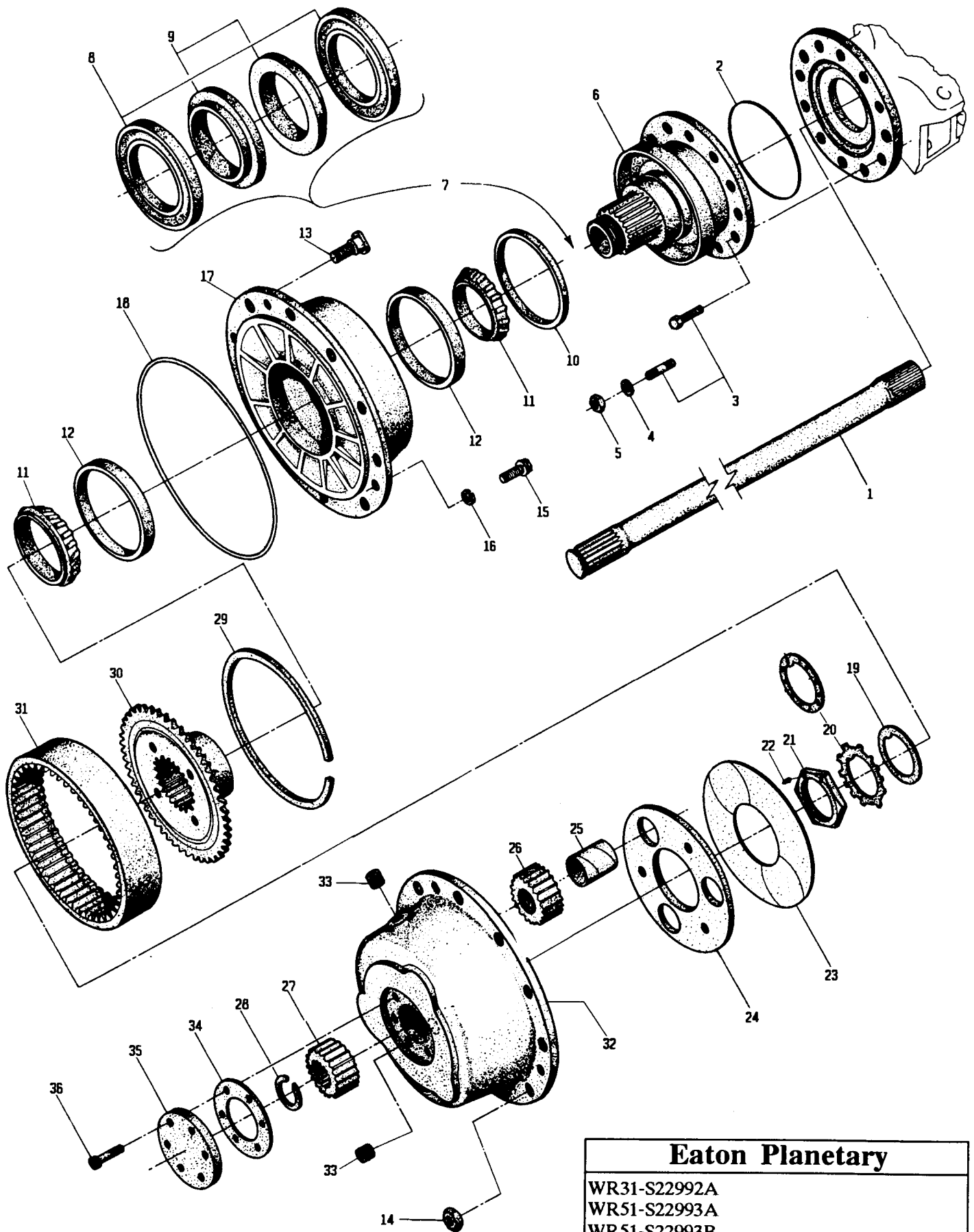
REF	AFTERMARKET NO.	DESCRIPTION/COMMENT	QTY
1	4000701	Shaft, Axle	1
2	3172502	O'Ring	1
3	3/4X3 1/4	Stud	12
		Bolt	A/R
4		Washer	N/U
5	3/4-16UNF	Nut	12
6	4190700	Spindle Ass'y	1
7	3922903	Oil Seal Ass'y	1
8	3922904	Seal, Flexible Rubber	2
9		Band, Seal	N/A
10	3680700	Snapping - Split	1
11	1220144	Bearing Cone - Inner	1
	1220144	Bearing Cone - Outer	1
12	1200144	Bearing Cup - Inner	1
	1200144	Bearing Cup - Outer	1
13	4272900	Stud, Wheel	12
14	3151800	Nut, Wheel	12
15	7/16-14UNCX1 1/4	Bolt	3
16	7/16	Washer, Lock	3
17		Hub and Cup Ass'y	N/A
18	3170700	O'Ring	1
19	4430700	Washer - Tanged	1
20	3030700	Lock - Old Style	1
	4430702	Washer, Lock - New Style	1
21	3150700	Nut, Adjusting	1
22	3900700	Setscrew	1
23	4420700	Washer, Retainer Plate	1
24	3460700	Plate, Retainer	1
25	3330701	Pin, Planetary	3
26	2440701	Gear, Planetary	3

Manufacturers' names, part numbers and model numbers are for reference purposes only. We do not suggest or imply that any item is that of the original manufacturer. (c) 1991 Aftermarket Parts Inc.

# Eaton Planetary

REF	AFTERMARKET NO.	DESCRIPTION/COMMENT	QTY
27	2460701	Gear, Sun	1
28	3682904	Snpring	1
29	3702903	Ring, Retaining	1
30	2500701	Mount, Ring Gear	1
31	2480700	Gear, Planetary Ring	1
32	4170700	Carrier, Planetary	1
33	3502500	Plug, Oil Filler and Drain	2
34		Silicone	N/A
35	1750700	Cover	1
36	1170707	Bolt	6

Manufacturers' names, part numbers and model numbers are for reference purposes only. We do not suggest or imply that any item is that of the original manufacturer. (c) 1991 Aftermarket Parts Inc.



<p><b>Eaton Planetary</b></p> <p>WR31-S22992A          WR51-S22993A          WR51-S22993B</p>
---





# Eaton Planetary

**Model Numbers:**

WR31-S22992A

WR51-S22993A

WR51-S22993B

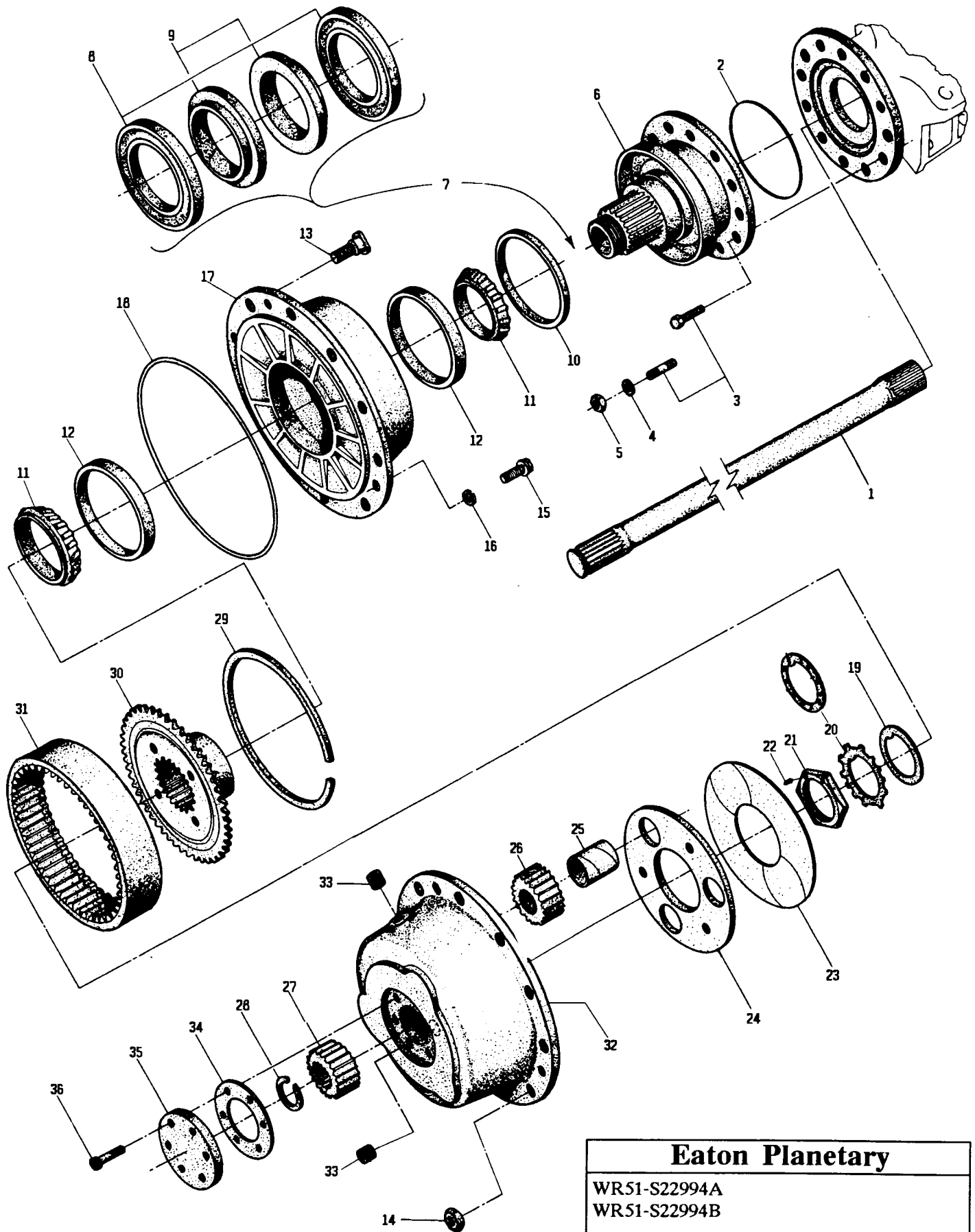
REF	AFTERMARKET NO.	DESCRIPTION/COMMENT	QTY
1	4000700	Shaft, Axle	1
2	3172502	O'Ring	1
3	3/4X3 1/4	Stud	12
		Bolt	A/R
4		Washer	N/U
5	3/4-16UNF	Nut	12
6	4190700	Spindle Ass'y	1
7	3922903	Oil Seal Ass'y	1
8	3922904	Seal, Flexible Rubber	2
9		Band, Seal	N/A
10	3680700	Snapping - Split	1
11	1220144	Bearing Cone - Inner	1
	1220144	Bearing Cone - Outer	1
12	1200144	Bearing Cup - Inner	1
	1200144	Bearing Cup - Outer	1
13	4272900	Stud, Wheel	12
14	3151800	Nut, Wheel	12
15	7/16-14UNCX1 1/4	Bolt	3
16	7/16	Washer, Lock	3
17		Hub and Cup Ass'y	N/A
18	3170700	O'Ring	1
19	4430700	Washer - Tanged	1
20	3030700	Lock - Old Style	1
	4430702	Washer, Lock - New Style	1
21	3150700	Nut, Adjusting	1
22	3900700	Setscrew	1
23	4420700	Washer, Retainer Plate	1
24	3460700	Plate, Retainer	1
25	3330700	Pin, Planetary	3
26	2440702	Gear, Planetary	3

Manufacturers' names, part numbers and model numbers are for reference purposes only. We do not suggest or imply that any item is that of the original manufacturer. (c) 1991 Aftermarket Parts Inc.

# Eaton Planetary

REF	AFTERMARKET NO.	DESCRIPTION/COMMENT	QTY
27	2460702	Gear, Sun	1
28	3682904	Snpring	1
29	3702903	Ring, Retaining	1
30	2500701	Mount, Ring Gear	1
31	2480702	Gear, Planetary Ring	1
32	4170701	Carrier, Planetary	1
33	3502500	Plug, Oil Filler and Drain	2
34		Silicone	N/A
35	1750700	Cover	1
36	1170707	Bolt	6

Manufacturers' names, part numbers and model numbers are for reference purposes only. We do not suggest or imply that any item is that of the original manufacturer. (c) 1991 Aftermarket Parts Inc.



<p><b>Eaton Planetary</b></p> <p>WR51-S22994A WR51-S22994B</p>
--



# Eaton Planetary

**Model Numbers:**

WR51-S22994A

WR51-S22994B

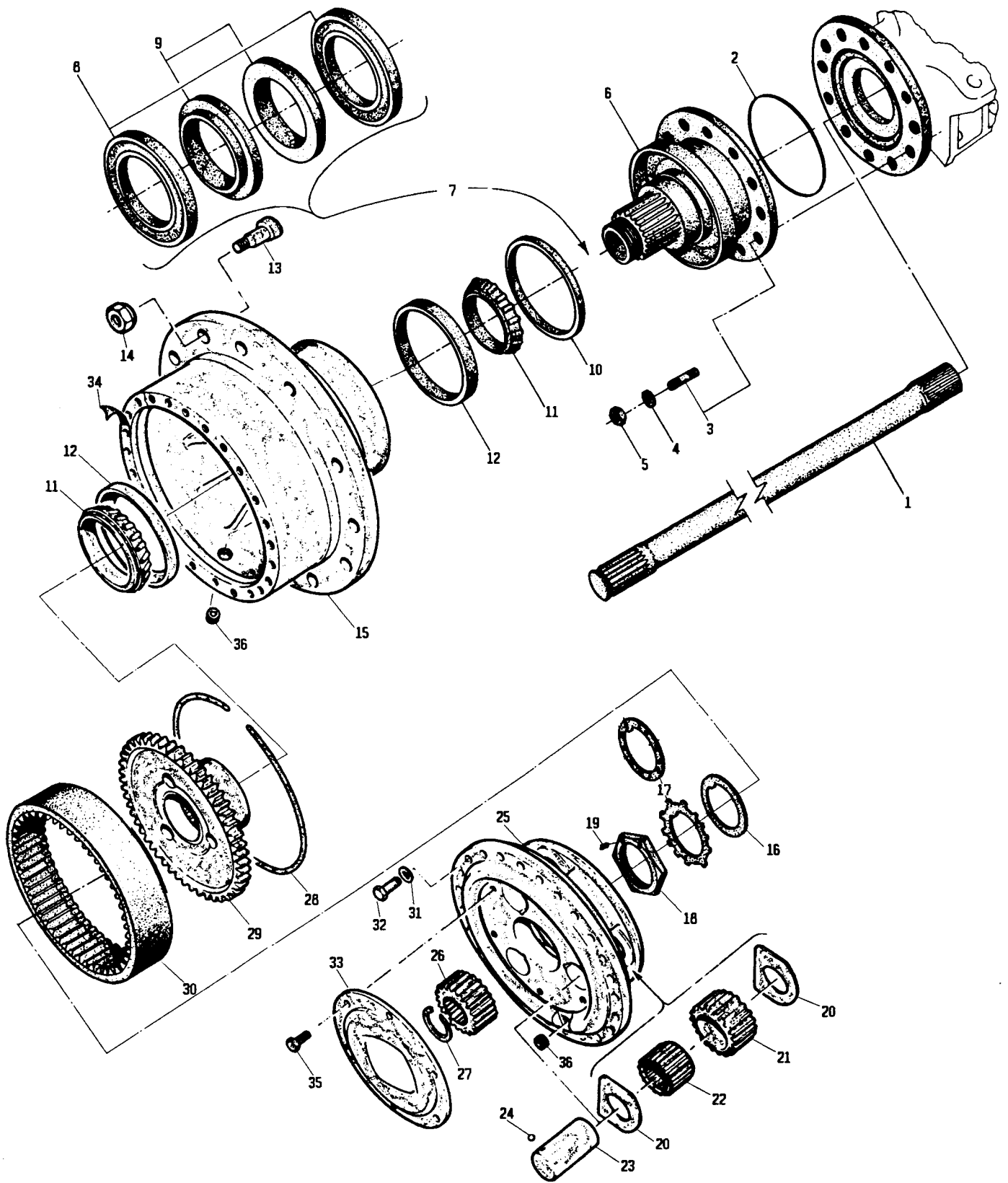
REF	AFTERMARKET NO.	DESCRIPTION/COMMENT	QTY
1	4000704	Shaft, Axle	1
2	3172502	O'Ring	1
3	3/4X3 1/4	Stud	12
		Bolt	A/R
4		Washer	N/U
5	3/4-16UNF	Nut	12
6	4190700	Spindle Ass'y	1
7	3922903	Oil Seal Ass'y	1
8	3922904	Seal, Flexible Rubber	2
9		Band, Seal	N/A
10	3680700	Snapping - Split	1
11	1220144	Bearing Cone - Inner	1
	1220144	Bearing Cone - Outer	1
12	1200144	Bearing Cup - Inner	1
	1200144	Bearing Cup - Outer	1
13	4272900	Stud, Wheel	12
14	3151800	Nut, Wheel	12
15	7/16-14UNCX1 1/4	Bolt Gr. 8	3
16	7/16	Washer, Lock	3
17		Hub and Cup Ass'y	N/A
18	3170700	O'Ring	1
19	4430700	Washer - Tanged	1
20	3030700	Lock - Old Style	1
	4430702	Washer, Lock - New Style	1
21	3150700	Nut, Adjusting	1
22	3900700	Setscrew	1
23	4420700	Washer, Retainer Plate	1
24	3460700	Plate, Retainer	1
25	3330700	Pin, Planetary	3
26	2440702	Gear, Planetary	3

Manufacturers' names, part numbers and model numbers are for reference purposes only. We do not suggest or imply that any item is that of the original manufacturer. (c) 1991 Aftermarket Parts Inc.

# Eaton Planetary

REF	AFTERMARKET NO.	DESCRIPTION/COMMENT	QTY
27	2460702	Gear, Sun	1
28	3682904	Snapping	1
29	3702903	Ring, Retaining	1
30	2500701	Mount, Ring Gear	1
31	2480702	Gear, Planetary Ring	1
32	4170701	Carrier, Planetary	1
33	3502500	Plug, Oil Filler and Drain	2
34		Silicone	N/A
35	1750700	Cover	1
36	1170707	Bolt	6

Manufacturers' names, part numbers and model numbers are for reference purposes only. We do not suggest or imply that any item is that of the original manufacturer. (c) 1991 Aftermarket Parts Inc.



### Eaton Planetary

WR3-S27514A	WR3-S28680A	WR31-S27682A
S27514B	S28680B	S27683A
S27514C	S28680C	S27684A
S27681A	S32165A	
S28679A	S33091A	





# Eaton Planetary

**Model Numbers:**

WR3-S27514A	WR3-S28680A	WR31-S27682A
S27514B	S28680B	S27683A
S27514C	S28680C	S27684A
S27681A	S32165A	
S28679A	S33091A	

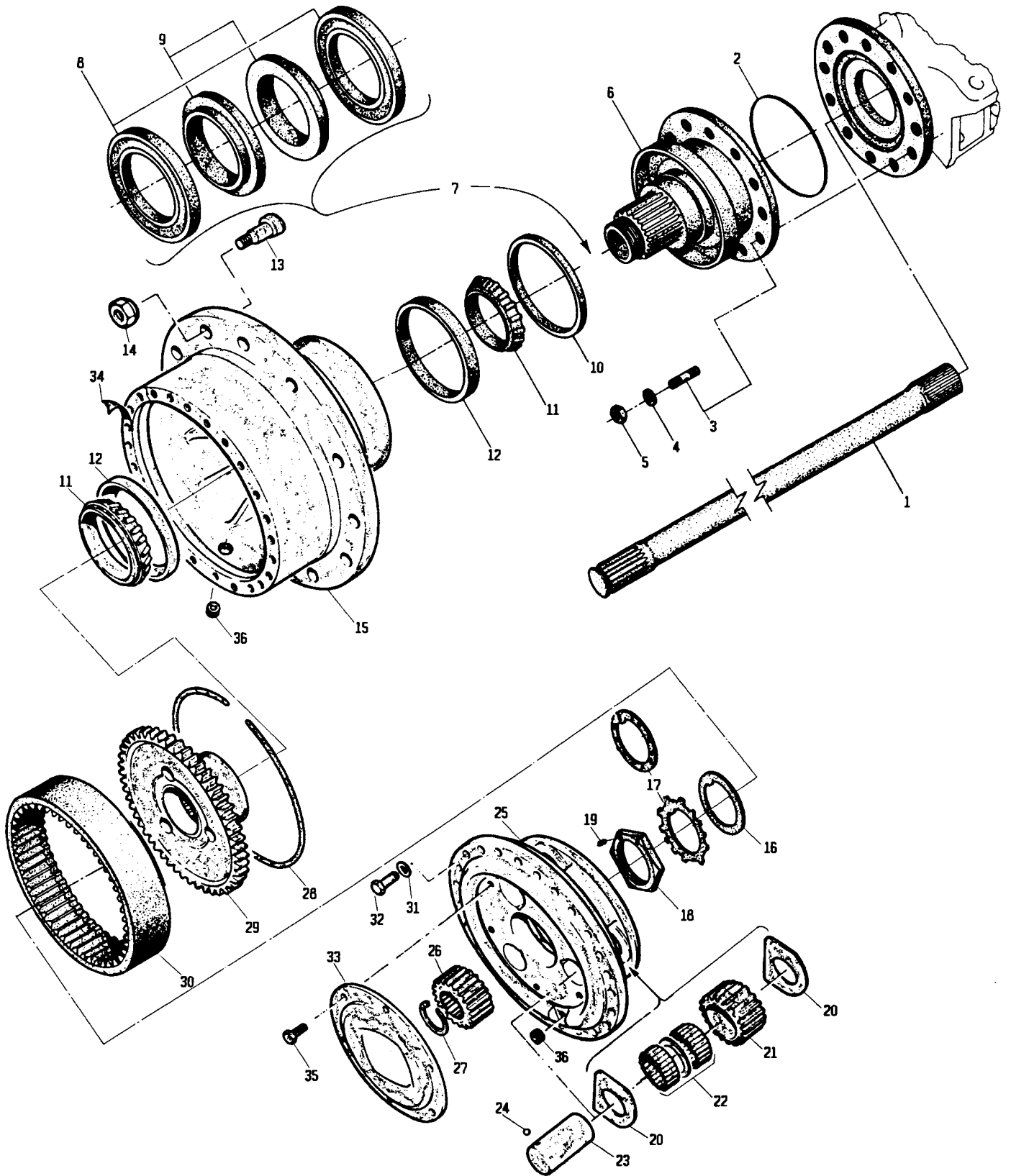
REF	AFTERMARKET NO.	DESCRIPTION/COMMENT	QTY
1	4000701	Shaft, Axle	1
2	3172502	O'Ring	1
3	3/4X3 1/4	Stud	12
4		Washer	N/U
5	3/4-16UNF	Nut	12
6	4190700	Spindle Ass'y	1
7	3922903	Oil Seal Ass'y	1
8	3922904	Seal, Flexible Rubber	2
9		Band, Seal	N/A
10	3680700	Snapping - Split	1
11	1220144	Bearing Cone - Inner	1
	1220144	Bearing Cone - Outer	1
12	1200144	Bearing Cup - Inner	1
	1200144	Bearing Cup - Outer	1
13	4272901	Stud, Wheel	12
14	3151800	Nut, Wheel	12
15		Hub and Cup Ass'y	N/A
16	4430700	Washer - Tanged	1
17	3030700	Lock - Old Style	1
	4430702	Washer, Lock - New Style	1
18	3150700	Nut, Adjusting	1
19	3900700	Setscrew	1
20	4420701	Washer, Thrust	6
21	2440705	Gear, Planetary	3
22	1280113	Bearing Ass'y	3
23	3330703	Pin, Planetary	3
24	1021000	Ball, Lock	3
25	4170703	Carrier, Planetary	1
26	2460701	Gear, Sun	1
27	3682904	Snapping	1

Manufacturers' names, part numbers and model numbers are for reference purposes only. We do not suggest or imply that any item is that of the original manufacturer. (c) 1991 Aftermarket Parts Inc.

# Eaton Planetary

REF	AFTERMARKET NO.	DESCRIPTION/COMMENT	QTY
28	3702904	Ring, Retaining	1
29	2500702	Mount, Ring Gear	1
30	2480704	Gear, Planetary Ring	1
31	4440703	Washer, Flat	24
32	1170708	Capscrew	24
33	1750701	Cap and Pin Ass'y	1
34		Silicone	N/A
35	1170707	Bolt	6
36	3510700	Plug, Filler and Drain	2

Manufacturers' names, part numbers and model numbers are for reference purposes only. We do not suggest or imply that any item is that of the original manufacturer. (c) 1991 Aftermarket Parts Inc.



### Eaton Planetary

WR5-S27685A	WR5-S28693C	WR51-S27686A
S27685B	S28694A	
S27685C	S29806B	
S28693A	S29806C	
S28693B	S32166A	



# Eaton Planetary

**Model Numbers:**

WR5-S27685A	WR5-S28693C	WR51-S27686A
S27685B	S28694A	
S27685C	S29806B	
S28693A	S29806C	
S28693B	S32166A	

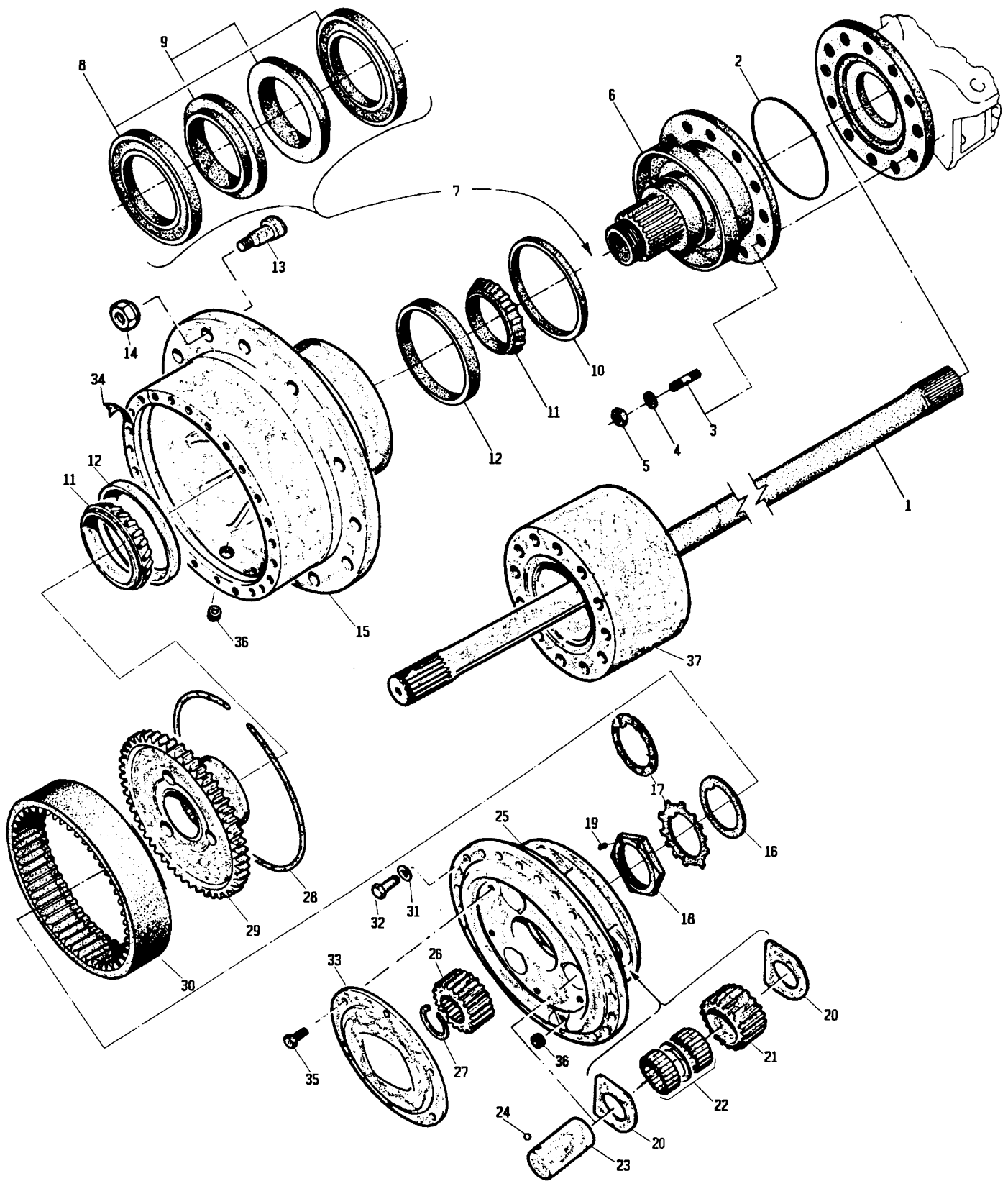
REF	AFTERMARKET NO.	DESCRIPTION/COMMENT	QTY
1	4000700	Shaft, Axle - WR5-S27685A, S27685B, S27685C, S29806B, S29806C, S32166A	1
	4000704	Shaft, Axle - WR5-S28693A, S28693B, S28693C, S28694A, WR51-S27686A	1
2	3172502	O'Ring	1
3	3/4X3 1/4	Stud	12
4		Washer	N/U
5		3/4-16UNF	Nut
6	4190700	Spindle Ass'y	1
7	3922903	Oil Seal Ass'y	1
8	3922904	Seal, Flexible Rubber	2
9		Band, Seal	N/A
10	3680700	Snapping - Split	1
11	1220144	Bearing Cone - Inner	1
	1220144	Bearing Cone - Outer	1
12	1200144	Bearing Cup - Inner	1
	1200144	Bearing Cup - Outer	1
13	4272901	Stud, Wheel	12
14	3151800	Nut, Wheel	12
15		Hub and Cup Ass'y	N/A
16	4430700	Washer - Tanged	1
17	3030700	Lock - Old Style	1
	4430702	Washer, Lock - New Style	1
18	3150700	Nut, Adjusting	1
19	3900700	Setscrew	1
20	4420701	Washer, Thrust	6
21	2440704	Gear, Planetary	3
22	2862910	Kit, Bearing and Spacer	3
23	3330702	Pin, Planetary	3
24	1021000	Ball, Lock - (.375)	3

Manufacturers' names, part numbers and model numbers are for reference purposes only. We do not suggest or imply that any item is that of the original manufacturer. (c) 1991 Aftermarket Parts Inc.

# Eaton Planetary

REF	AFTERMARKET NO.	DESCRIPTION/COMMENT	QTY
25	4170702	Carrier, Planetary	1
26	2460702	Gear, Sun	1
27	3682904	Snapping	1
28	3702904	Ring, Retaining	1
29	2500702	Mount, Ring Gear	1
30	2480705	Gear, Planetary Ring	1
31	4440703	Washer, Flat	24
32	1170708	Capscrew	24
33	1750701	Cap and Pin Ass'y	1
34		Silicone	N/A
35	1170709	Capscrew	6
36	3510700	Plug, Filler and Drain	2

Manufacturers' names, part numbers and model numbers are for reference purposes only. We do not suggest or imply that any item is that of the original manufacturer. (c) 1991 Aftermarket Parts Inc.



### Eaton Planetary

WR6-S29302A	WR6-S31346A
S29302B	S31346B
S29304A	S32167A
S29304B	S32879A





# Eaton Planetary

**Model Numbers:**

WR6-29302A	WR6-S31346A
S29302B	S31346B
S29304A	S32167A
S29304B	S32879A

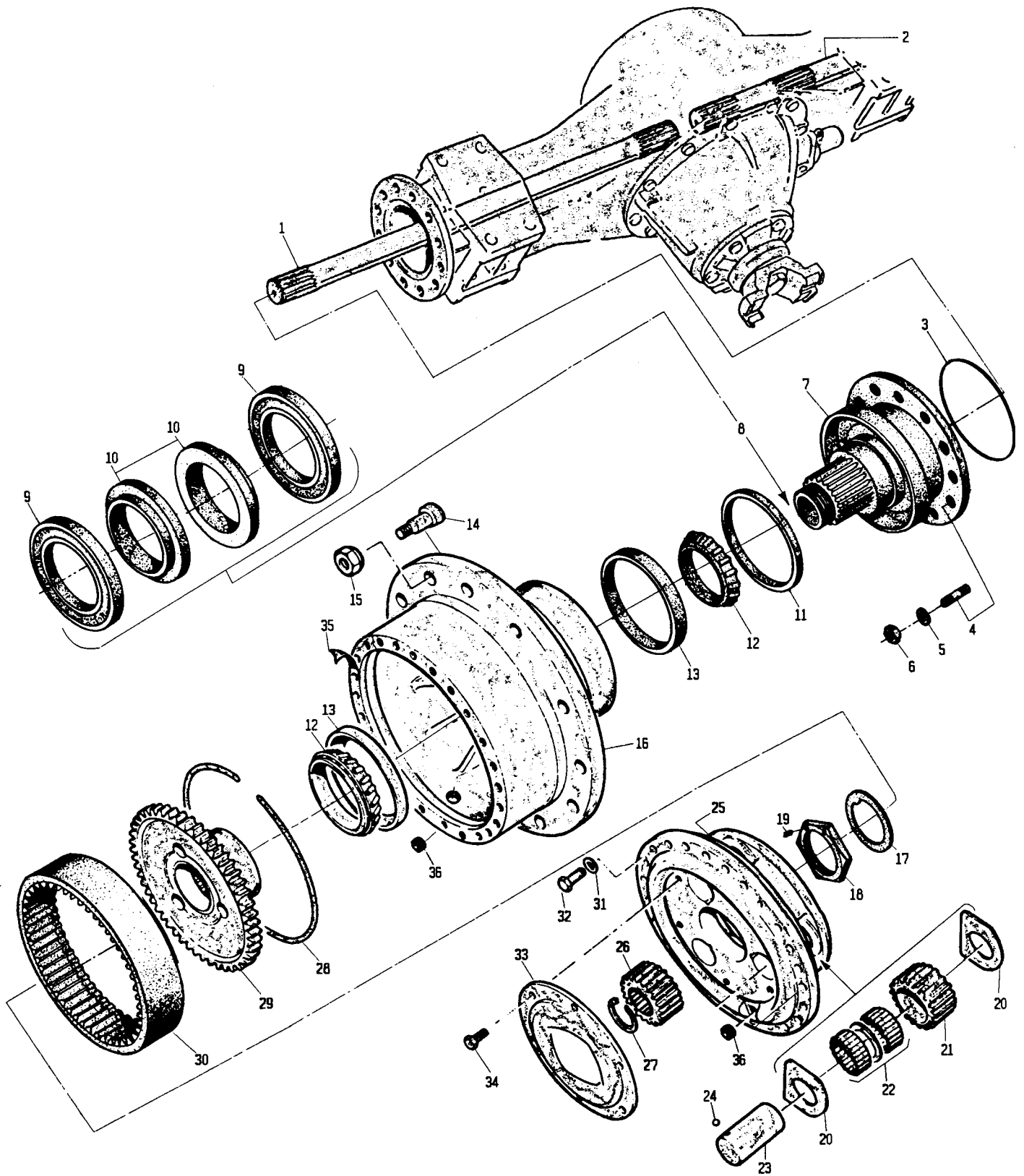
REF	AFTERMARKET NO.	DESCRIPTION/COMMENT	QTY
1	4000705	Shaft, Axle - Stamped 119268	1
	4000706	Shaft, Axle - Stamped 119258 - WR6 wide track	1
	4000707	Shaft, Axle - Stamped 8255378 - extra wide track option	1
2 3 4	4000708	Shaft, Axle - WR6-S32879A for locking differential	1
	3172502	O'Ring	1
	3/4X3 1/4	Stud	12
		Washer	N/U
5 6 7 8 9	3/4-16UNF	Nut	12
	4190700	Spindle Ass'y	1
	3922903	Oil Seal Ass'y	1
	3922904	Seal, Flexible Rubber	2
		Band, Seal	N/A
10 11 12	3680700	Snapping - Split	1
	1220144	Bearing Cone - Inner	1
	1220170	Bearing Cone - Outer	1
	1200144	Bearing Cup - Inner	1
	1200170	Bearing Cup - Outer	1
13 14 15 16 17	4272901	Stud, Wheel	12
	3151800	Nut, Wheel	12
		Hub and Cup Ass'y	N/A
	4430700	Washer - Tanged	1
	3030700	Lock - Old Style	1
18 19 20 21	4430702	Washer, Lock - New Style	1
	3150700	Nut, Adjusting	1
	3900700	Setscrew	1
	4420701	Washer, Thrust	6
	2440704	Gear, Planetary	3

Manufacturers' names, part numbers and model numbers are for reference purposes only. We do not suggest or imply that any item is that of the original manufacturer. (c) 1991 Aftermarket Parts Inc.

# Eaton Planetary

REF	AFTERMARKET NO.	DESCRIPTION/COMMENT	QTY
22	2862910	Kit, Bearing and Spacer	3
23	3330702	Pin, Planetary	3
24	1021000	Ball, Lock - (.3125)	3
25	4170702	Carrier, Planetary	1
26	2460702	Gear, Sun	1
27	3682904	Snapping	1
28	3702904	Ring, Retaining	1
29	2500703	Mount, Ring Gear	1
30	2480705	Gear, Planetary Ring	1
31	4440703	Washer, Flat	24
32	1170708	Capscrew	24
33	1750701	Cap and Pin Ass'y	1
34		Silicone	N/A
35	1170709	Capscrew	6
36	3510700	Plug, Filler and Drain	2
37	4140700	Spacer - (extra wide track option)	1

Manufacturers' names, part numbers and model numbers are for reference purposes only. We do not suggest or imply that any item is that of the original manufacturer. (c) 1991 Aftermarket Parts Inc.



<b>Eaton Planetary</b>
WR7



# Eaton Planetary

**Model Numbers:**  
WR7

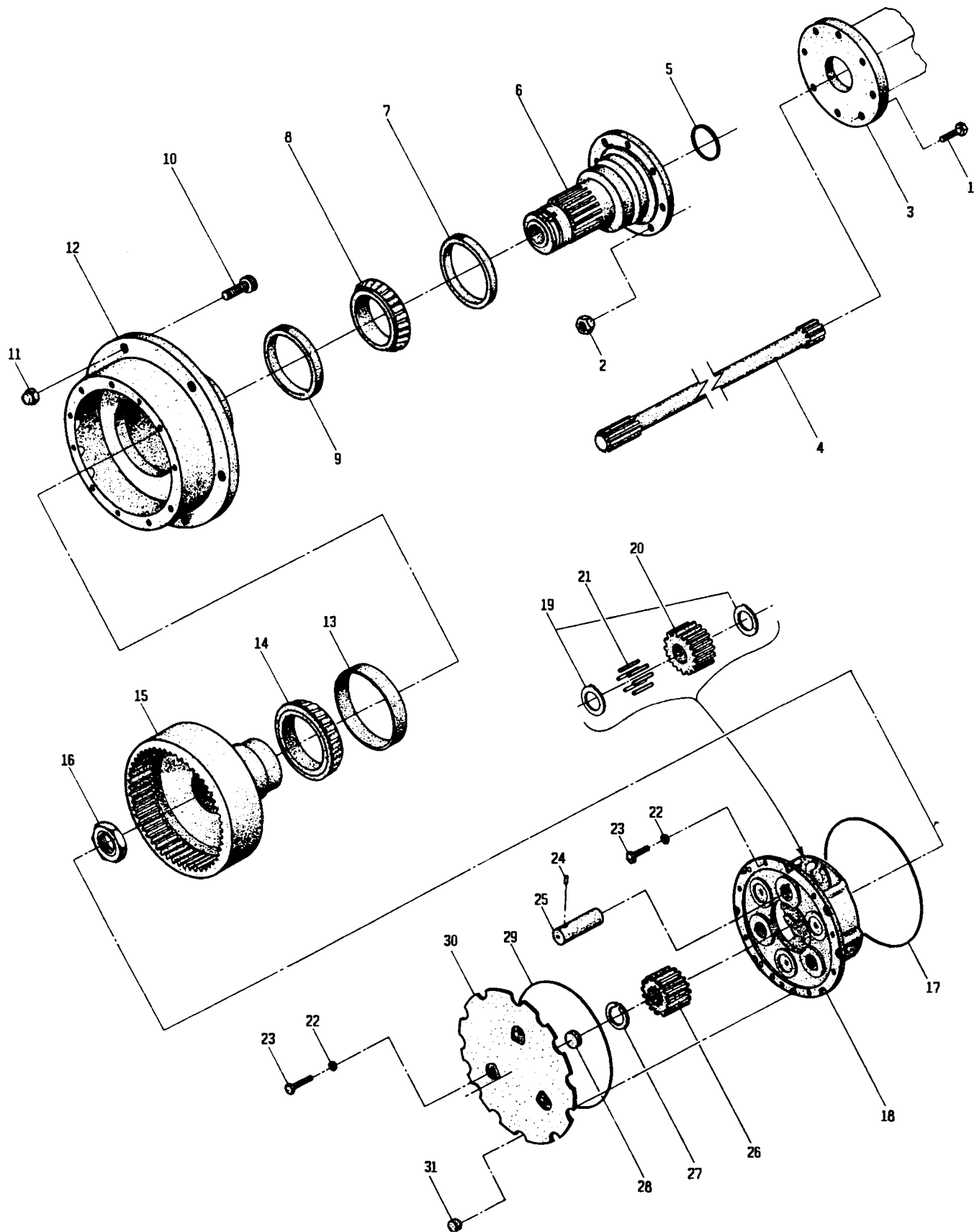
REF	AFTERMARKET NO.	DESCRIPTION/COMMENT	QTY
1	4000712	Shaft, Axle - Plain Side (stamped 127186)	1
2	4000710	Shaft, Axle - Locking Diff. Side (stamped 127049)	1
3	3172502	O'Ring	1
4	3/4X3 1/4	Stud	12
5		Washer	N/U
6	3/4-16UNF	Nut	12
7	4190700	Spindle Ass'y	1
8	3922903	Oil Seal Ass'y	1
9	3922904	Seal, Flexible Rubber	2
10		Band, Seal	N/A
11	3680700	Snapping - Split	1
12	1220144	Bearing Cone - Inner	1
	1220119	Bearing Cone - Outer	1
13	1200144	Bearing Cup - Inner	1
	1200119	Bearing Cup - Outer	1
14	4272901	Stud, Wheel	12
15	3151800	Nut, Wheel	12
16		Hub and Cap Ass'y	N/A
17	4430702	Washer, Lock	1
18	3150700	Nut, Adjusting	1
19	3900700	Setscrew	1
20	4420701	Washer, Thrust	6
21	2440704	Gear, Planetary	3
22	2662910	Kit, Bearing and Spacer	3
23	3330702	Pin, Planetary	3
24	1032200	Ball, Lock	3
25	4170702	Carrier, Planetary	1
26	2460704	Gear, Sun	1
27	3682905	Snapping	1

Manufacturers' names, part numbers and model numbers are for reference purposes only. We do not suggest or imply that any item is that of the original manufacturer. (c) 1991 Aftermarket Parts Inc.

# Eaton Planetary

REF	AFTERMARKET NO.	DESCRIPTION/COMMENT	QTY
28	3702904	Ring, Retaining	1
29	2500704	Mount, Ring Gear	1
30	2480705	Gear, Planetary Ring	1
31	4440703	Washer, Flat	24
32	1170708	Capscrew	24
33	1750702	Cap and Pin Ass'y	1
34	1172900	Capscrew	6
35		Silicone	1
36	3502500	Plug, Filler and Drain	2

Manufacturers' names, part numbers and model numbers are for reference purposes only. We do not suggest or imply that any item is that of the original manufacturer. (c) 1991 Aftermarket Parts Inc.



<b>Franklin Planetary</b>
F160

Manufacturers' names, part numbers and model numbers are for reference purposes only. We do not suggest or imply that any item is that of the original manufacturer. © 1991 Aftermarket Parts Inc.





# Franklin Planetary

**Model Numbers:**  
F160

REF	AFTERMARKET NO.	DESCRIPTION/COMMENT	QTY
1	1171002	Bolt	8
2	3/4	Locknut	8
3		Housing, Axle	N/A
4	4001000	Shaft, Axle	1
5	3171004	O'Ring	1
6	4191000	Spindle and Slinger Ass'y	1
7	3922108	Seal, Oil - Unitized	1
8	1220144	Bearing Cone - Outer	1
9	1200144	Bearing Cup - Outer	1
10	4271800	Stud, Wheel	12
11	3151800	Nut, Wheel	12
12		Hub, Wheel	N/A
13	1200119	Bearing Cup - Outer	1
14	1220119	Bearing Cone - Outer	1
15	2481001	Ring Gear and Carrier Ass'y	1
16	3151000	Nut, Stake	1
17	3171003	O'Ring	1
	4181001	Planetary Ass'y	1
18	4171002	Carrier, Planetary	1
19	4421000	Washer, Thrust	6
20	2441003	Gear, Planetary	3
21	1330110	Bearing, Needle	42
22	4431002	Washer, Lock	15
23	1171001	Bolt	15
24	1021000	Ball, Lock - (.3125)	3
25	3331002	Pin, Planetary	3
26	2461004	Gear, Sun	1
27	3681002	Snapping	1
28	1381000	Button, Thrust	1
29	3171000	O'Ring	1

Manufacturers' names, part numbers and model numbers are for reference purposes only. We do not suggest or imply that any item is that of the original manufacturer. (c) 1991 Aftermarket Parts Inc.

# Franklin Planetary

REF	AFTERMARKET NO.	DESCRIPTION/COMMENT	QTY
30	1751000	Cover	1
31	3501000	Plug	1

Manufacturers' names, part numbers and model numbers are for reference purposes only. We do not suggest or imply that any item is that of the original manufacturer. (c) 1991 Aftermarket Parts Inc.





# Franklin Planetary

**Model Numbers:**  
F175

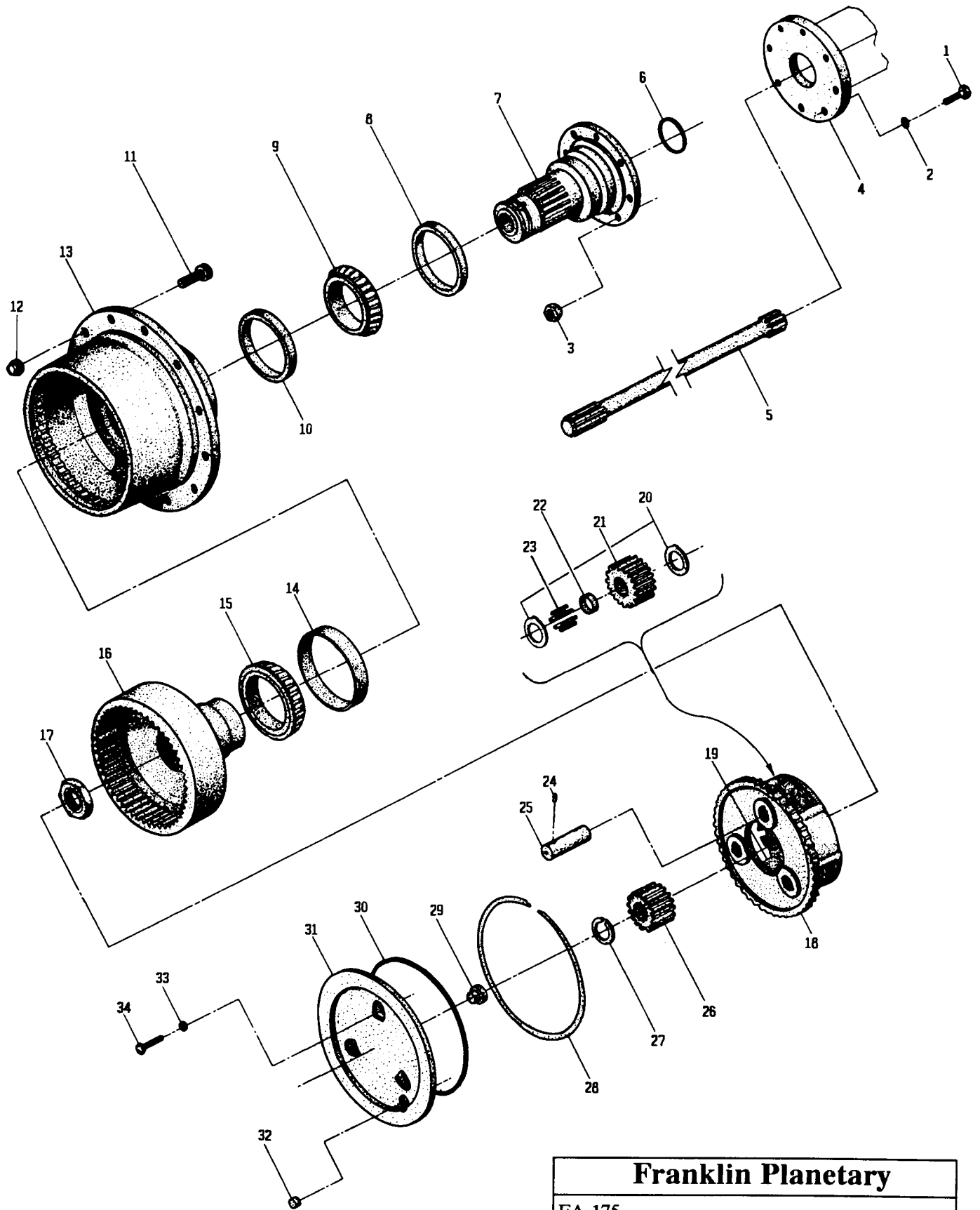
REF	AFTERMARKET NO.	DESCRIPTION/COMMENT	QTY
1	3/4X2NF	Bolt	8
2		Washer, Flat	N/U
3		Nut	N/U
4		Housing - 1/2" Holes Housing - 3/8" Holes	N/A N/A
5	4001001	Shaft, Axle	1
6	3171004	O'Ring	1
7	4191000	Spindle and Slinger Ass'y	1
8	3922108	Seal, Oil - Unitized	1
9	1220144	Bearing Cone - Inner	1
10	1200144	Bearing Cup - Inner	1
11	4271800	Stud, Wheel	12
12	3151800	Nut, Wheel	12
13		Housing, Hub	N/A
14	1200119	Bearing Cup - Outer	1
15	1220119	Bearing Cone - Outer	1
	4181000	Planetary Ass'y	1
16	2481000	Ring Gear and Carrier Ass'y	1
17	3151000	Nut, Stake	1
18	4171000	Carrier, Planetary	1
19	2301000	Gasket	1
20	4421000	Washer, Thrust	6
21	2441002	Gear, Planetary	3
22	4131000	Spacer	3
23	1330106	Bearing, Needle	168
24	1021000	Ball, Lock - (.3125)	3
25	3331001	Pin, Planetary	3
26	2461002	Gear, Sun	1
27	3681000	Snapping	1
28	3681001	Snapping	1

Manufacturers' names, part numbers and model numbers are for reference purposes only. We do not suggest or imply that any item is that of the original manufacturer. (c) 1991 Aftermarket Parts Inc.

# Franklin Planetary

REF	AFTERMARKET NO.	DESCRIPTION/COMMENT	QTY
29	1381000	Button, Thrust	1
30	3711000	Ring, Sealing	1
31	1751001	Cover	1
32	3501000	Plug, Oil Level	1
33		Washer, Lock	N/U
34	1/2-13X1 1/4	Bolt	3

Manufacturers' names, part numbers and model numbers are for reference purposes only. We do not suggest or imply that any item is that of the original manufacturer. (c) 1991 Aftermarket Parts Inc.



<b>Franklin Planetary</b>
FA-175





# Franklin Planetary

**Model Numbers:**  
FA-175

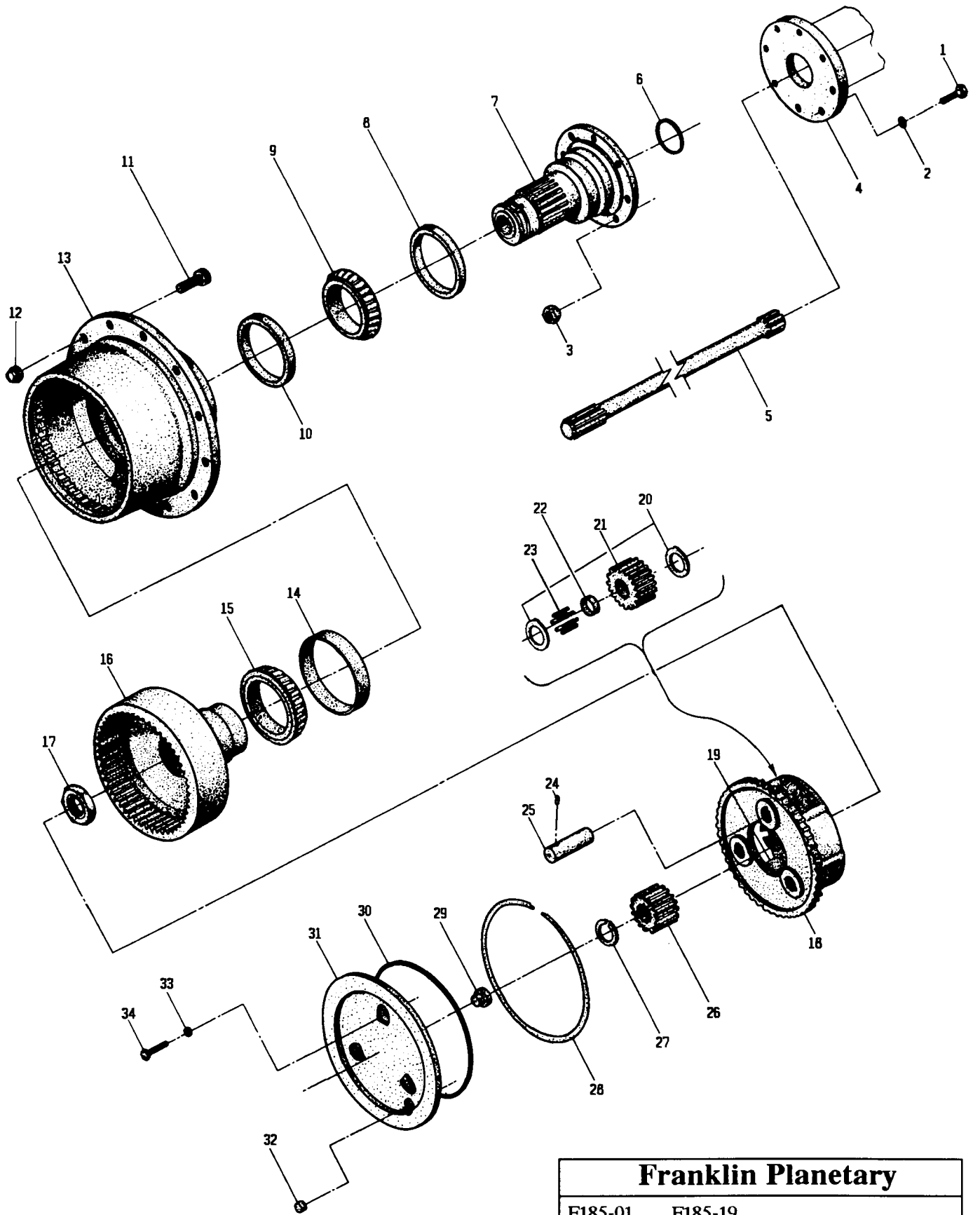
REF	AFTERMARKET NO.	DESCRIPTION/COMMENT	QTY
1	3/4-16X2 1/4	Bolt	8
2	3/4	Washer, Flat	8
3		Nut	N/U
4		Housing	N/A
5	4001001	Shaft, Axle	1
6	3171004	O'Ring	1
7	4191000	Spindle and Slinger Ass'y	1
8	3922108	Seal, Oil - Unitized	1
9	1220144	Bearing Cone - Inner	1
10	1200144	Bearing Cup - Inner	1
11	4271800	Stud, Wheel	12
12	3151800	Nut, Wheel	12
13		Housing, Hub	N/A
14	1200119	Bearing Cup - Outer	1
15	1220119	Bearing Cone - Outer	1
	4181000	Planetary Ass'y	1
16	2481000	Ring Gear and Carrier Ass'y	1
17	3151000	Nut, Stake	1
18	4171000	Carrier, Planetary	1
19	2301000	Gasket	1
20	4421000	Washer, Thrust	6
21	2441002	Gear, Planetary	3
22	4131000	Spacer	3
23	1330106	Bearing, Needle	168
24	1021000	Ball, Lock - (.3125)	3
25	3331001	Pin, Planetary	3
26	2461002	Gear, Sun	1
27	3681000	Snapping	1
28	3681001	Snapping	1
29	1381000	Button, Thrust	1

Manufacturers' names, part numbers and model numbers are for reference purposes only. We do not suggest or imply that any item is that of the original manufacturer. (c) 1991 Aftermarket Parts Inc.

# Franklin Planetary

REF	AFTERMARKET NO.	DESCRIPTION/COMMENT	QTY
30	3711000	Ring, Sealing	1
31	1751001	Cover	1
32	3501000	Plug, Oil Level	1
33	4431001	Washer, Lock	3
34	1/2-13X1 1/4	Bolt	3

Manufacturers' names, part numbers and model numbers are for reference purposes only. We do not suggest or imply that any item is that of the original manufacturer. (c) 1991 Aftermarket Parts Inc.



<b>Franklin Planetary</b>	
F185-01	F185-19
F185-04	F185-20
F185-11	F185-25
F185-12	F185-36



# Franklin Planetary

**Model Numbers:**

F185-01	F185-19
F185-04	F185-20
F185-11	F185-25
F185-12	F185-36

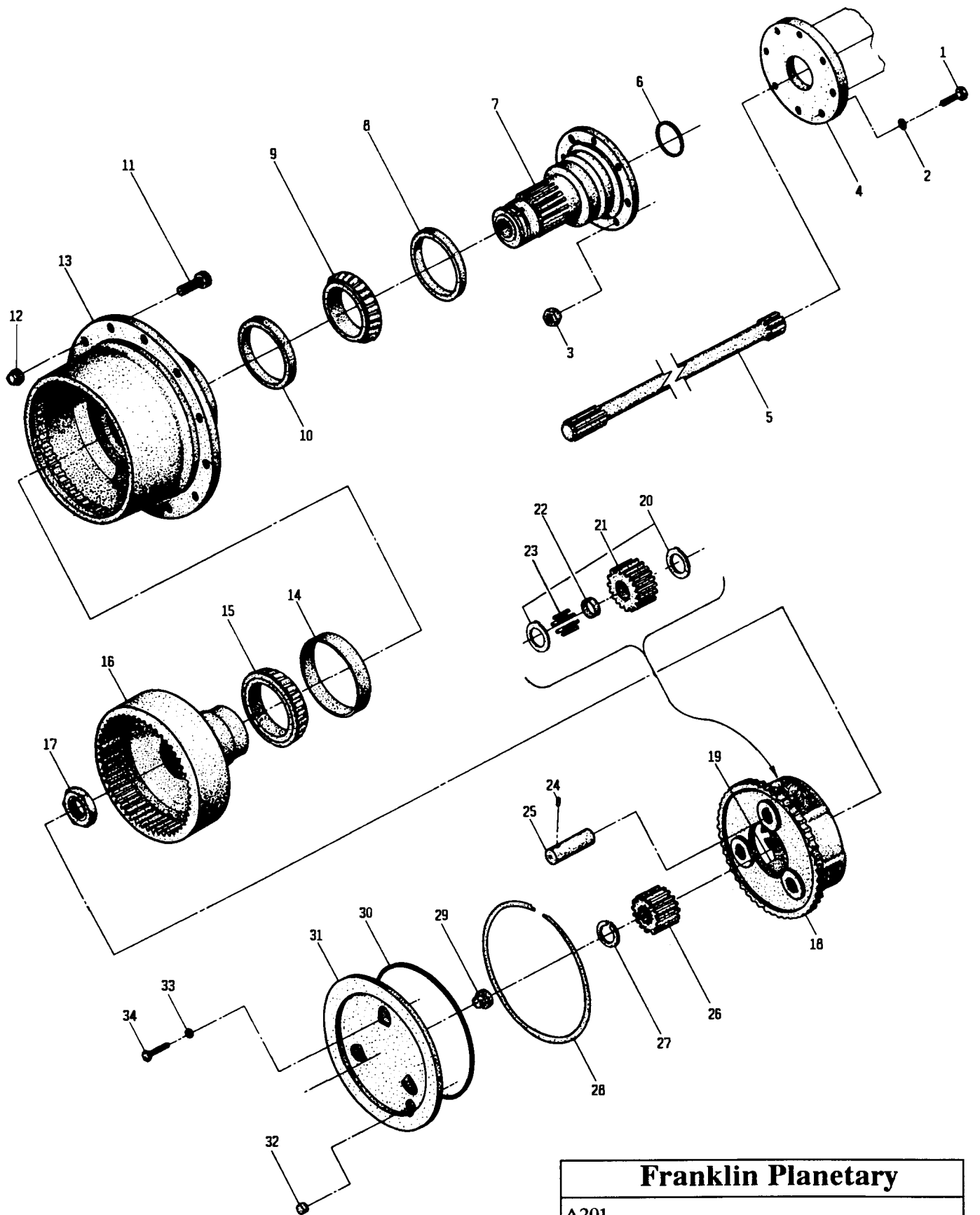
REF	AFTERMARKET NO.	DESCRIPTION/COMMENT	QTY
1	3/4X2	Bolt - F185-01, F185-04, F185-11, F185-12	8
	3/4X2 1/4	Bolt - F185-19, F185-20, F185-25, F185-36	8
2	3/4	Washer, Flat	8
3		Nut	N/U
4		Housing	N/A
5	4001001	Shaft, Axle - F185-01, F185-04, F185-11 F185-12	1
	4001002	Shaft, Axle - F185-19, F185-20, F185-25	1
	4001003	Shaft, Axle - F185-36	1
6	3171004	O'Ring-F185-01, F185-04, F185-11, F185-12	1
7	4191000	O'Ring-F185-19, F185-20, F185-25, F185-36	N/U
		Spindle and Slinger Ass'y	1
		Seal, Oil - Unitized	1
		Bearing Cone - Inner	1
		Bearing Cup - Inner	1
11	4271800	Stud, Wheel	12
12	3151800	Nut, Wheel	12
13		Housing, Hub	N/A
14	1200119	Bearing Cup - Outer	1
15	1220119	Bearing Cone - Outer	1
16	4181000	Planetary Ass'y	1
	2481000	Ring Gear and Carrier Ass'y	1
	3151000	Nut, Stake	1
	4171000	Carrier, Planetary	1
	2301000	Gasket - Not used F185-36	1
20	4421000	Washer, Thrust	6
21	2441002	Gear, Planetary	3
22	4131000	Spacer	3
23	1330106	Bearing, Needle	168
24	1021000	Ball, Lock - (.3125)	3

Manufacturers' names, part numbers and model numbers are for reference purposes only. We do not suggest or imply that any item is that of the original manufacturer. (c) 1991 Aftermarket Parts Inc.

# Franklin Planetary

REF	AFTERMARKET NO.	DESCRIPTION/COMMENT	QTY
25	3331001	Pin, Planetary	3
26	2461002	Gear, Sun	1
27	3681000	Snapring	1
28	3681001	Snapring - F185-01, F185-04, F185-11, F185-12	1
	3681003	Snapring - F185-19, F185-20, F185-25, F185-36	1
29	1381000	Button, Thrust	1
30	3711000	Ring, Sealing	1
31	1751001	Cover - F185-01, F185-04, F185-11, F185-12	1
	1751002	Cover - F185-19, F185-20, F185-25, F185-36	1
32	3501000	Plug, Oil Level	1
33		Washer, Lock - F185-01, F185-04, F185-11, F185-12	N/U
	3/8	Washer, Lock - F185-19, F185-20, F185-25, F185-36	9
34	1/2X1 1/4	Bolt - F185-01, F185-04, F185-11, F185-12	3
	3/8X1 UNC	Bolt - F185-19, F185-20, F185-25, F185-36	9

Manufacturers' names, part numbers and model numbers are for reference purposes only. We do not suggest or imply that any item is that of the original manufacturer. (c) 1991 Aftermarket Parts Inc.



<b>Franklin Planetary</b>
A201





# Franklin Planetary

**Model Numbers:**

A201

\*Note: If either 4191001 Spindle Ass'y or 2481002 Ring Gear Ass'y are replaced, you must replace both, with 4191002 Spindle Ass'y, and 2481004 Ring Gear Ass'y.

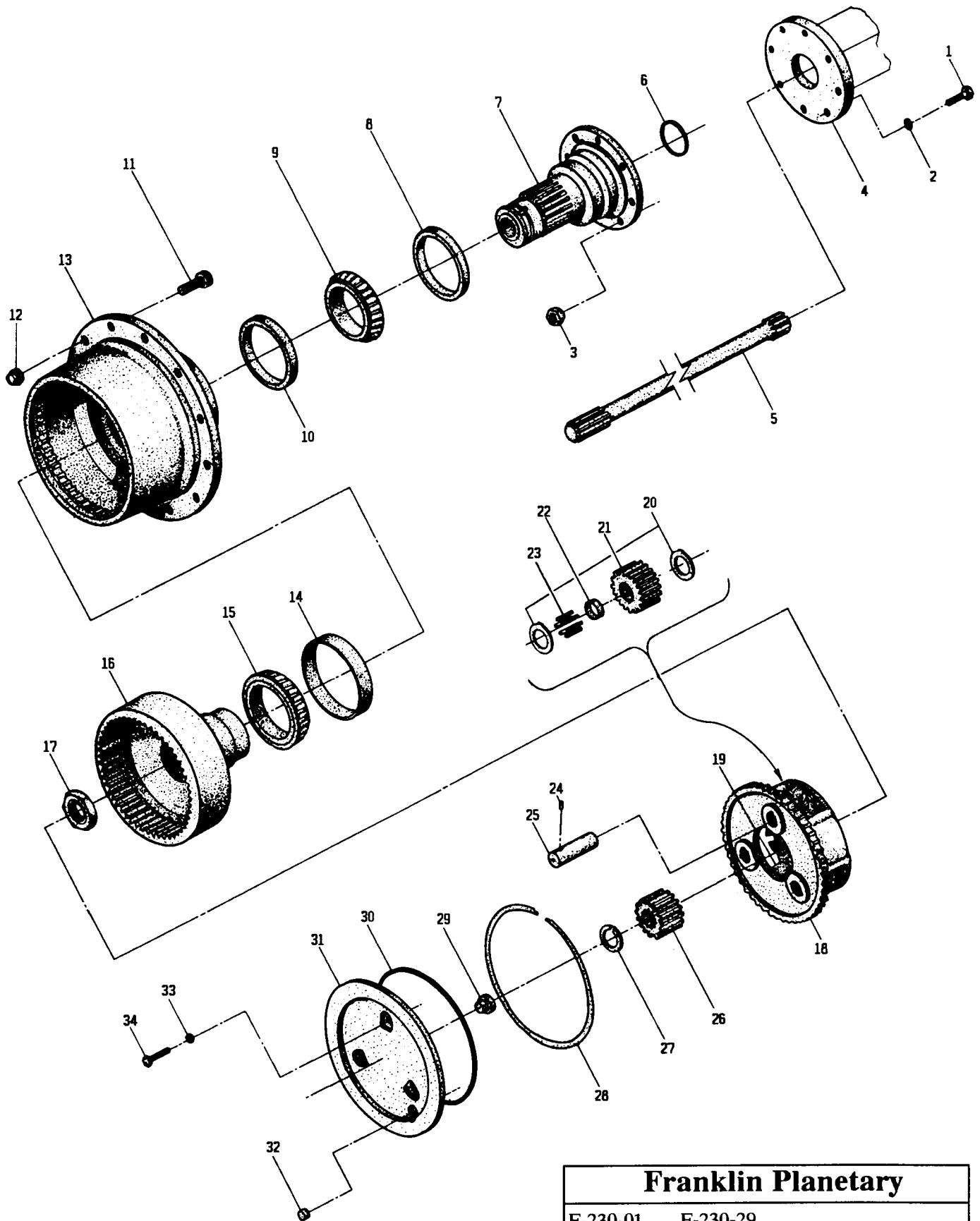
REF	AFTERMARKET NO.	DESCRIPTION/COMMENT	QTY
1	3/4 - 16X3	Bolt, Gr. 8	8
2	3/4	Washer, Flat	8
3	3/4/16	Nut	8
4		Housing	N/A
5	4001004	Shaft, Axle	1
6	3171004	O'Ring	1
7	4191001	Spindle and Slinger Ass'y*	1
8	3922102	Seal, Oil - Unitized	1
9	1220130	Bearing Cone - Inner	1
10	1200130	Bearing Cup - Inner	1
11	4271800	Stud, Wheel	12
12	3151800	Nut, Wheel	12
13	2781000	Housing, Hub	1
14	1200119	Bearing Cup - Outer	1
15	1220119	Bearing Cone - Outer	1
16	4181002	Planetary Ass'y	1
17	2481002	Ring Gear and Carrier Ass'y*	1
18	3151000	Nut, Stake	1
19	4171003	Carrier, Planetary	1
20	2301000	Gasket	1
21	4421000	Washer, Thrust	6
22	2441001	Gear, Planetary	3
23	4131001	Spacer	3
24	1330107	Bearing, Needle	168
25	1021001	Ball, Lock - (.3125)	3
26	3331000	Pin, Planetary	3
27	2461001	Gear, Sun	1
28	3681000	Snapping	1
29	3681004	Snapping	1
30	1381000	Button, Thrust	1

Manufacturers' names, part numbers and model numbers are for reference purposes only. We do not suggest or imply that any item is that of the original manufacturer. (c) 1991 Aftermarket Parts Inc.

# Franklin Planetary

REF	AFTERMARKET NO.	DESCRIPTION/COMMENT	QTY
30	3711001	Ring, Sealing	1
31	1751003	Cover	1
32	3501000	Plug, Oil Level	1
33	2301000	Gasket	3
34	1/2-13X1 1/4	Bolt	3

Manufacturers' names, part numbers and model numbers are for reference purposes only. We do not suggest or imply that any item is that of the original manufacturer. (c) 1991 Aftermarket Parts Inc.



Franklin Planetary	
F-230-01	F-230-29
F-230-03	F-230-43
F-230-06	F-230-44
F-230-27	



# Franklin Planetary

**Model Numbers:**

F-230-01	F-230-29
F-230-03	F-230-43
F-230-06	F-230-44
F-230-27	

Note: F-230-01, F230-03 and F-230-06  
 If either 4191001 Spindle Ass'y or 2481002  
 Ring Gear Ass'y are replaced, you must replace  
 both, with 4191002 Spindle Ass'y and 2481004  
 Ring Gear Ass'y.

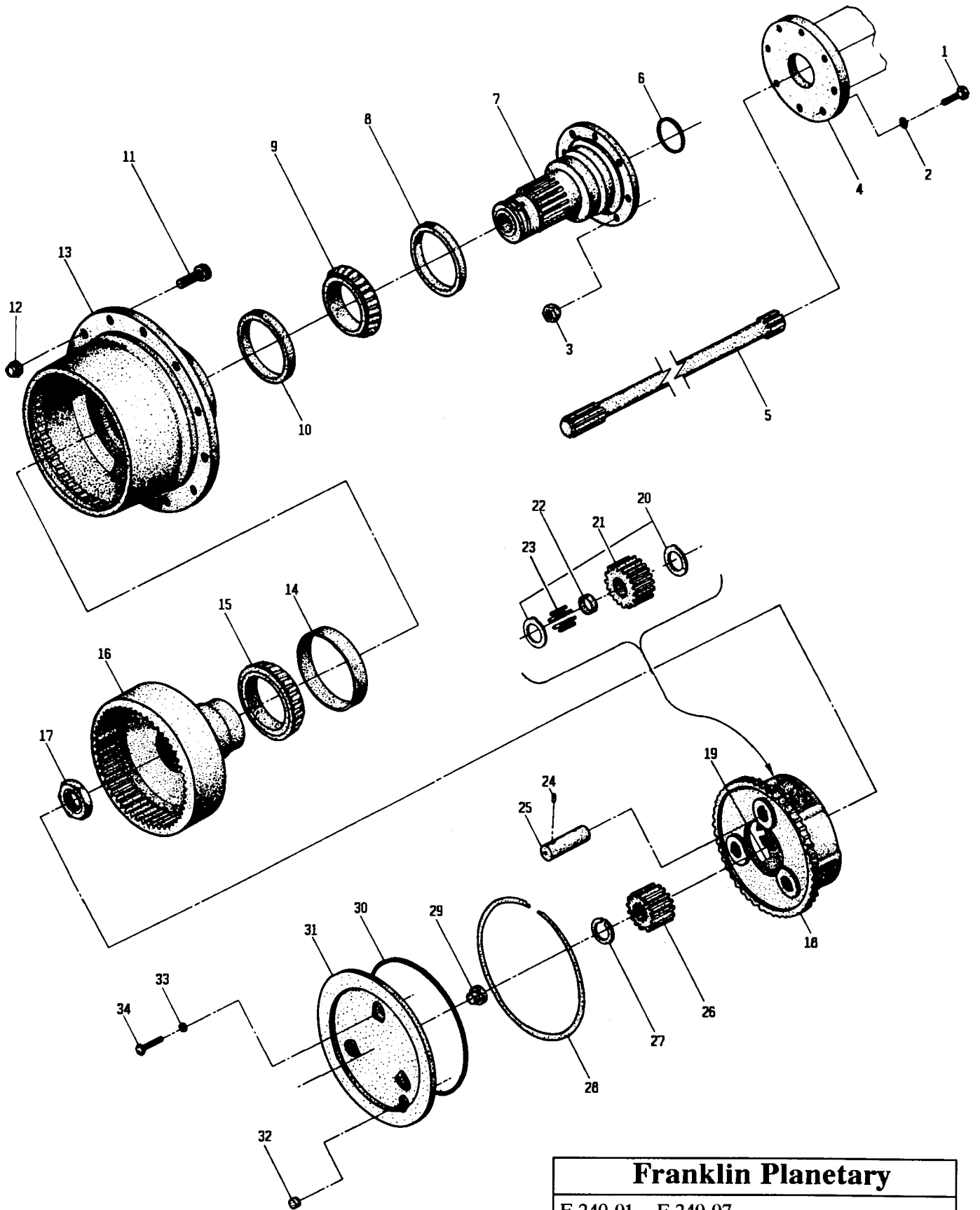
REF	AFTERMARKET NO.	DESCRIPTION/COMMENT	QTY
1	3/4X3 3/4-16X2 3/4	Bolt, Gr. 8 - F-230-01, F-230-03, F-230-06 Bolt, Gr. 8 - F-230-27, F-230-29, F-230-43, F-230-44	8 8
2		Washer, Flat	N/U
3	3/4	Nut, Gr. 8	8
4		Housing	N/A
5	4001005 4001006	Housing - Loader Shaft, Axle - F-230-01, F-230-03, F-230-06 Shaft, Axle - F-230-27, F-230-29, F-230-43, F-230-44	N/A 1 1
6	3171004	O'Ring - F-230-01, F-230-03, F-230-06 O'Ring - F-230-27, F-230-29, F-230-43 F-230-44	1 1 N/U
7	4191001	Spindle and Slinger Ass'y	1
	4191002	Spindle and Slinger Ass'y	1
8	3922102	Seal, Oil - Unitized	1
9	1220130	Bearing Cone - Inner	1
10	1200130	Bearing Cup - Inner	1
11	4271800	Stud, Wheel	12
12	3151800	Nut, Wheel	12
13	2781000	Housing, Hub - F-230-01, F-230-03, F230-06 Housing, Hub - F-230-27, F-230-29, F230-43, F230-44	N/A N/A
14	1200119	Bearing Cup - Outer	1
15	1220119	Bearing Cone - Outer	1
	4181003	Planetary Ass'y	1
16	2481002	Ring Gear and Carrier Ass'y - F-230-01, F-230-03, F-230-06	1
	2481003	Ring Gear and Carrier Ass'y - F-230-27,	N/A

Manufacturers' names, part numbers and model numbers are for reference purposes only. We do not suggest or imply that any item is that of the original manufacturer. (c) 1991 Aftermarket Parts Inc.

# Franklin Planetary

REF	AFTERMARKET NO.	DESCRIPTION/COMMENT	QTY
17	3151000	F-230-29, F-230-43, F-230-44 Nut, Stake	1 1
18	4171001	Carrier, Planetary	1
19	2301000	Gasket - F-230-01, F-230-03, F-230-06 Gasket - F-230-27, F-230-29, F-230-43,	1
20	4421000	F-230-44 Washer, Thrust	N/U 6
21	2441000	Gear, Planetary	3
22	4131001	Spacer	3
23	1330107	Bearing, Needle	168
24	1021001	Ball, Lock - (.3125)	3
25	3331000	Pin, Planetary	3
26	2461000	Gear, Sun	1
27	3681005	Snapping	1
28	3681004	Snapping - F-230-01, F-230-03, F-230-06	1
29	3681006	Snapping - F-230-27, F-230-29, F-230-43 F-230-44	1 1
30	1381000	Button, Thrust	1
30	3711001	Ring, Sealing - F-230-01, F-230-03, F-230-06 ONLY	1
31	1751003	Cover - F-230-01, F-230-03, F-230-06	1
	1751004	Cover - F-230-27, F-230-29, F-230-43 F-230-44	1
32	3501000	Plug, Oil Level	1
33	3/8	Washer, Lock - F-230-27, F-230-29, F-230-43, F-230-44 ONLY	9
34	1/2X1 1/4	Bolt - F230-01, F-230-03, F-230-06	3
	3/8X1 UNC	Bolt - F230-27, F-230-29, F-230-43 F-230-44	9

Manufacturers' names, part numbers and model numbers are for reference purposes only. We do not suggest or imply that any item is that of the original manufacturer. (c) 1991 Aftermarket Parts Inc.



### Franklin Planetary

F-240-01	F-240-07
F-240-02	F-240-08
F-240-03	F-240-10
F-240-06	F-240-12





# Franklin Planetary

**Model Numbers:**

F-240-01	F-240-07
F-240-02	F-240-08
F-240-03	F-240-10
F-240-06	F-240-12

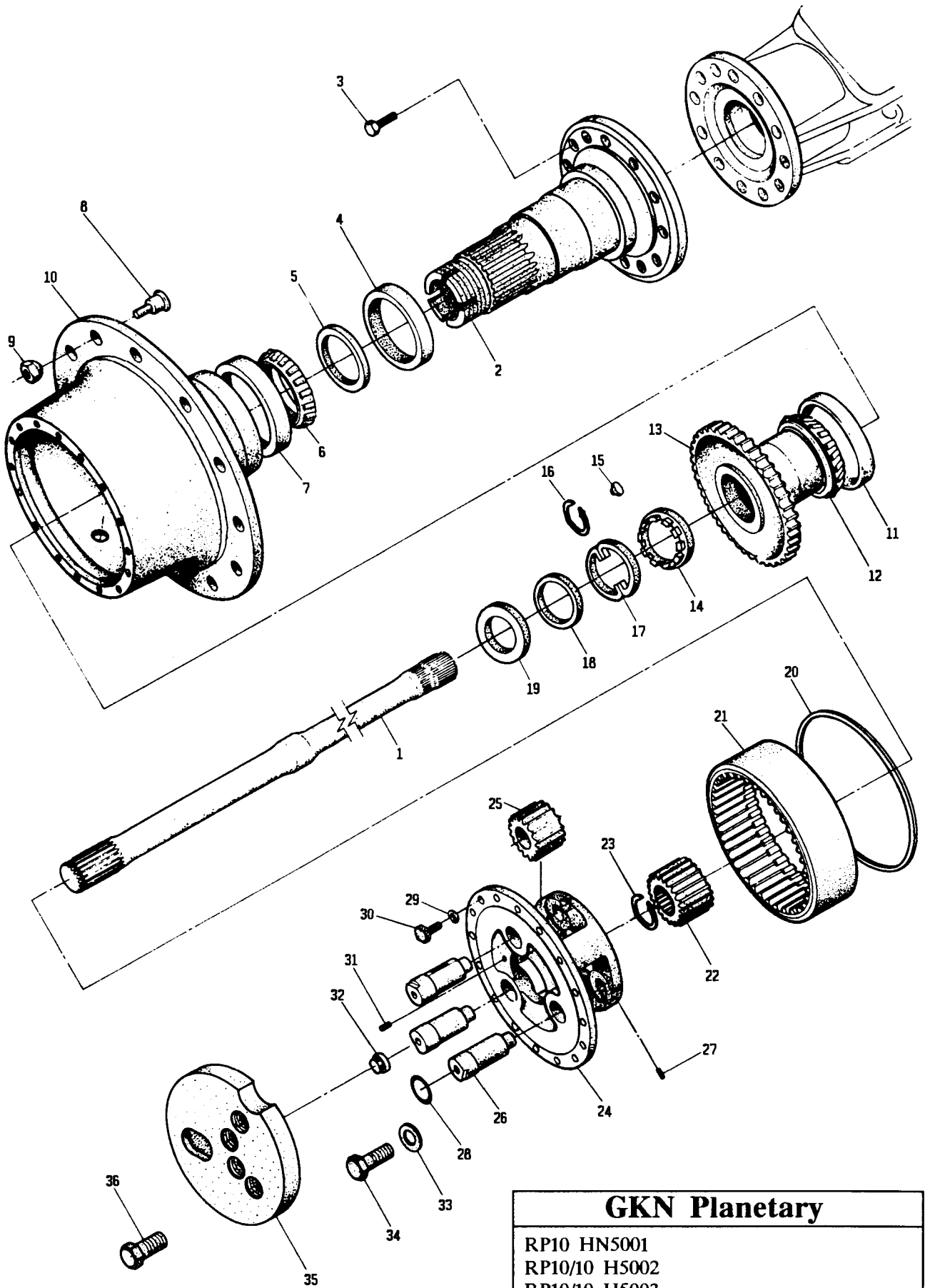
REF	AFTERMARKET NO.	DESCRIPTION/COMMENT	QTY
1	3/4X 3	Bolt, Gr. 8 - F-240-01, F-240-02, F-240-03	8
	3/4-16X2 3/4	Bolt, Gr. 8 - F-240-06, F-240-07, F-240-08, F-240-10, F-240-12	8
2	N/U	Washer, Flat	N/U
3	3/4	Nut, Gr. 8	8
4		Housing	N/A
5	4001005	Shaft, Axle - F-240-01, F-240-02, F-240-03	1
	1001006	Shaft, Axle - F-240-06, F-240-07, F-240-08, F-240-10, F-240-12	1
6	3171004	O'Ring - F-240-01, F-240-02, F-240-03 ONLY	1
7	4191001	Spindle and Slinger Ass'y - F-240-01, F-240-02, F-240-03	1
	4191002	Spindle and Slinger Ass'y - F-240-06, F-240-07, F-240-08, F-240-10, F-240-12	1
8	3922102	Seal, Oil - Unitized	1
9	1220130	Bearing Cone - Inner	1
10	1200130	Bearing Cup - Inner	1
11	4271800	Stud, Wheel	12
12	3151800	Nut, Wheel	12
13	2781000	Housing, Hub - F-240-01, F-240-02 F-240-03	N/A
		Housing, Hub - F-240-06, F-240-07, F-240-08, F-240-10, F-240-12	N/A
14	1200119	Bearing Cup - Outer	1
15	1220119	Bearing Cone - Outer	1
	4181002	Planetary Ass'y	1
16	2481002	Ring Gear and Carrier Ass'y - F-240-01, F-240-02, F-240-03	1

Manufacturers' names, part numbers and model numbers are for reference purposes only. We do not suggest or imply that any item is that of the original manufacturer. (c) 1991 Aftermarket Parts Inc.

# Franklin Planetary

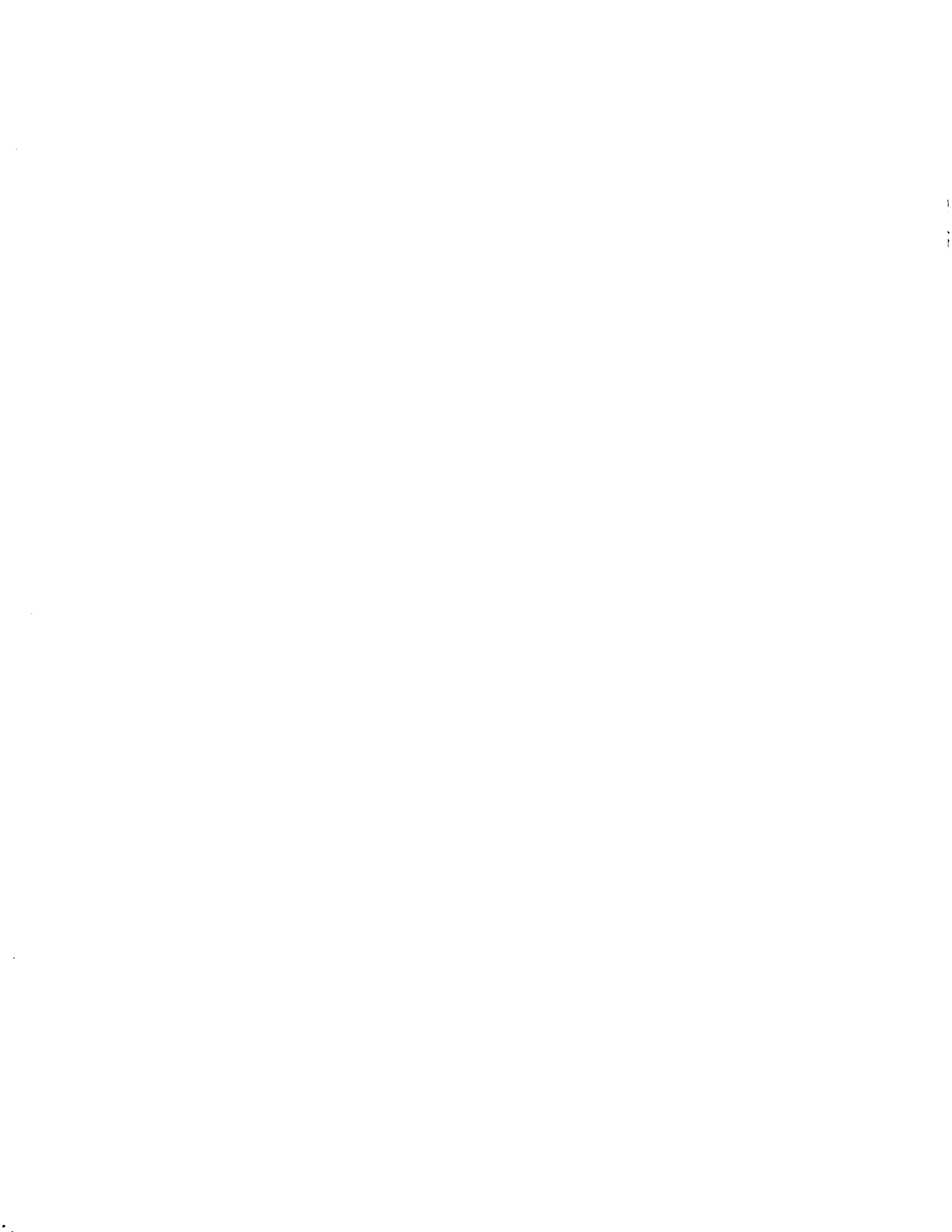
REF	AFTERMARKET NO.	DESCRIPTION/COMMENT	QTY
(16)	2481003	Ring Gear and Carrier Ass'y - F-240-06, F-240-07, F-240-08, F-240-10, F-240-12	1
17	3151000	Nut, Stake	1
18	4171003	Carrier, Planetary	1
19	2301000	Gasket - F-240-01, F-240-02	1
	N/U	Gasket - F-240-03, F-240-06, F-240-07 F-240-08, F-240-10, F-240-12	N/U
20	4421000	Washer, Thrust	6
21	2441000	Gear, Planetary	3
22	4131001	Spacer	3
23	1330107	Bearing, Needle	168
24	1021001	Ball, Lock - (.3125)	3
25	3331000	Pin, Planetary	3
26	2461003	Gear, Sun	1
27	3681005	Snapping	1
28	3681004	Snapping - F-240-01, F-240-02, F-240-03	1
	3681006	Snapping - F-240-06, F-240-07, F-240-08, F-240-10, F-240-12	1
29	1381000	Button, Thrust	1
30	3711001	O'Ring - F-240-01, F-240-02, F-240-03 ONLY	1
31	1751003	Cover - F-240-01, F-240-02, F-240-03	1
	1751004	Cover - F-240-06, F-240-07, F-240-08, F-240-10, F-240-12	1
32	3501000	Plug, Oil Level	1
33	3/8	Washer, Lock - F-240-06, F-240-07, F-240-08, F-240-10, F-240-12	9
34	1/2X1 1/4 UNC	Bolt - F-240-01, F-240-02, F-240-03	3
	3/8X1 UNC	Bolt - F-240-06, F-240-07, F-240-08, F-240-10, F-240-12	9

Manufacturers' names, part numbers and model numbers are for reference purposes only. We do not suggest or imply that any item is that of the original manufacturer. (c) 1991 Aftermarket Parts Inc.



## GKN Planetary

RP10 HN5001  
 RP10/10 H5002  
 RP10/10 H5003  
 RP10/10 H5004  
 RP10/10 H5005



# GKN Planetary

**Model Numbers:**

RP10 HN5001            RP10/10 H5004  
 RP10/10 H5002        RP10/10 H5005  
 RP10/10 H5003

**Also known as:**

Centrax or Treefarmer

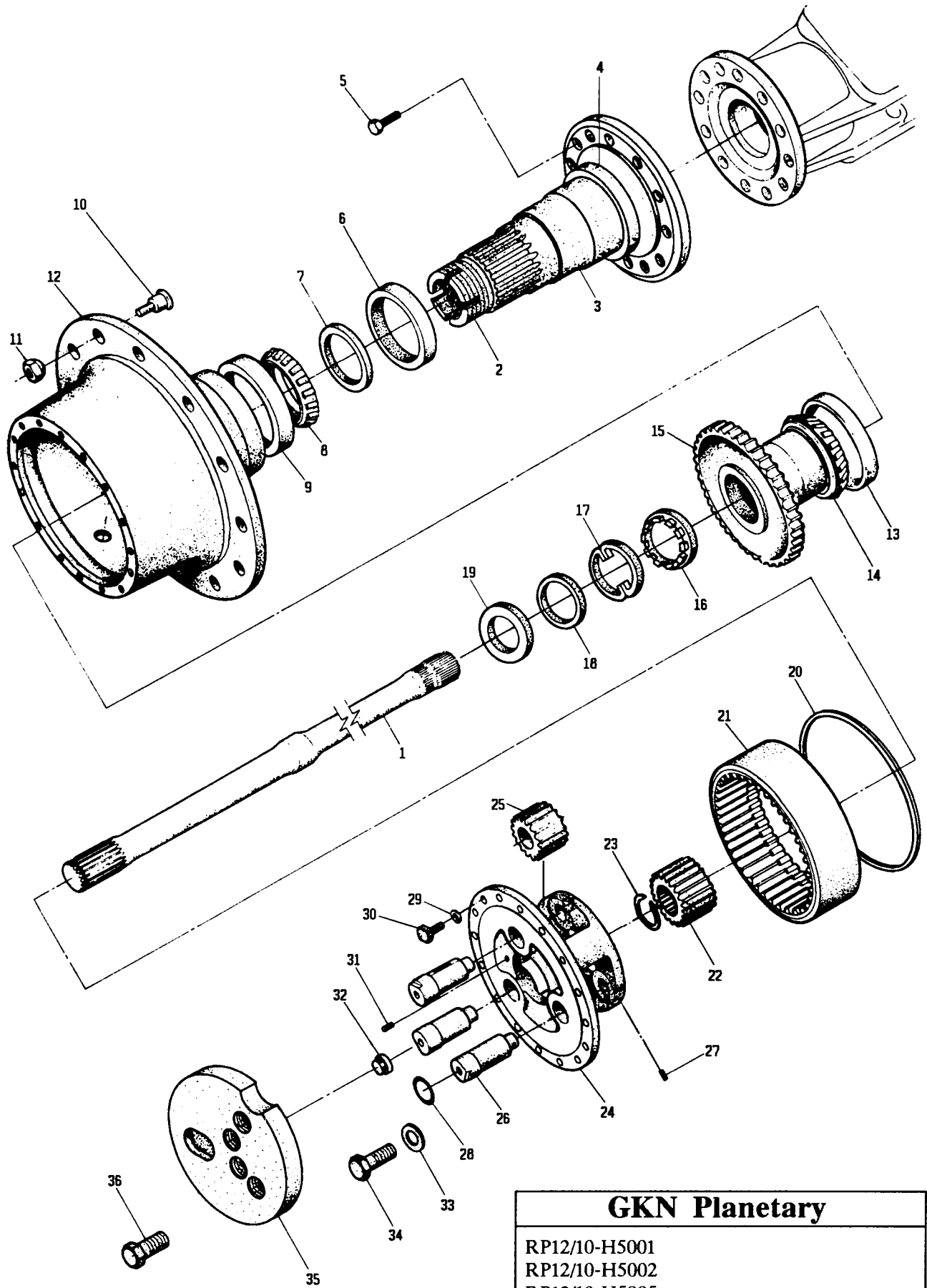
REF	AFTERMARKET NO.	DESCRIPTION/COMMENT	QTY
1	4004100	Shaft, Axle	1
2	4194100	Spindle	1
3	1174100	Capscrew	14
4	3924100	Seal, Oil	1
5	2664100	Guard, Oil Seal - RP10 HN5001,	
		RP10/10 H5002 and H5003	1
	2664101	Guard, Oil Seal - RP10/10 H5004	
		and H5005	1
6	1220180	Bearing Cone - Inner	1
7	1200180	Bearing Cup - Inner	1
8	4271800	Stud	12
9	3151800	Nut	12
10		Hub, Wheel	N/A
11	1200122	Bearing Cup - Outer	1
12	1220122	Bearing Cone - Outer	1
13	2504100	Gear, Hub	1
14	3154100	Nut - RP10 HN5001, RP10/10 H5002, H5003,	
		and H5004	1
15	3304100	Dowel - RP10 HN5001, RP10/10 H5002,	
		H5003 and H5004	1
16	3684100	Snapring - RP10 HN5001, RP10/10 H5002,	
		H5003 and H5004	1
17	3034100	Lockring - RP10/10 H5005	2
18	3684103	Snapring - RP10/10 H5005	1
19	4454100	Washer - RP10/10 H5005	1
20	3684101	Snapring, Hub Retainer	1
21	2484100	Gear, Ring	1
22	2464100	Gear, Axle	1
23	3684102	Snapring	1
24	4174100	Spider	1

Manufacturers' names, part numbers and model numbers are for reference purposes only. We do not suggest or imply that any item is that of the original manufacturer. (c) 1991 Aftermarket Parts Inc.

# GKN Planetary

REF	AFTERMARKET NO.	DESCRIPTION/COMMENT	QTY
25	2444100	Gear, Planetary	3
26	3334100	Pin, Planetary	3
27	3904100	Screw	3
28	3174100	Seal, O'Ring	3
29	4454103	Washer	11
30	1174101	Capscrew	11
31	3504100	Plug, Filler	1
32	1384100	Button, Thrust	1
33	4454101	Washer	1
34	1174102	Bolt	1
35	1744100	Cover	1
36	1174103	Bolt	6

Manufacturers' names, part numbers and model numbers are for reference purposes only. We do not suggest or imply that any item is that of the original manufacturer. (c) 1991 Aftermarket Parts Inc.



<p><b>GKN Planetary</b></p> <p>RP12/10-H5001          RP12/10-H5002          RP12/10-H5005          RP12/10-H5007</p>
---





**GKN Planetary****Model Numbers:**

RP12/10-H5001      RP12/10-H5005  
 RP12/10-H5002      RP12/10-H5007

**Also know as:****Centrax or Treefarmer**

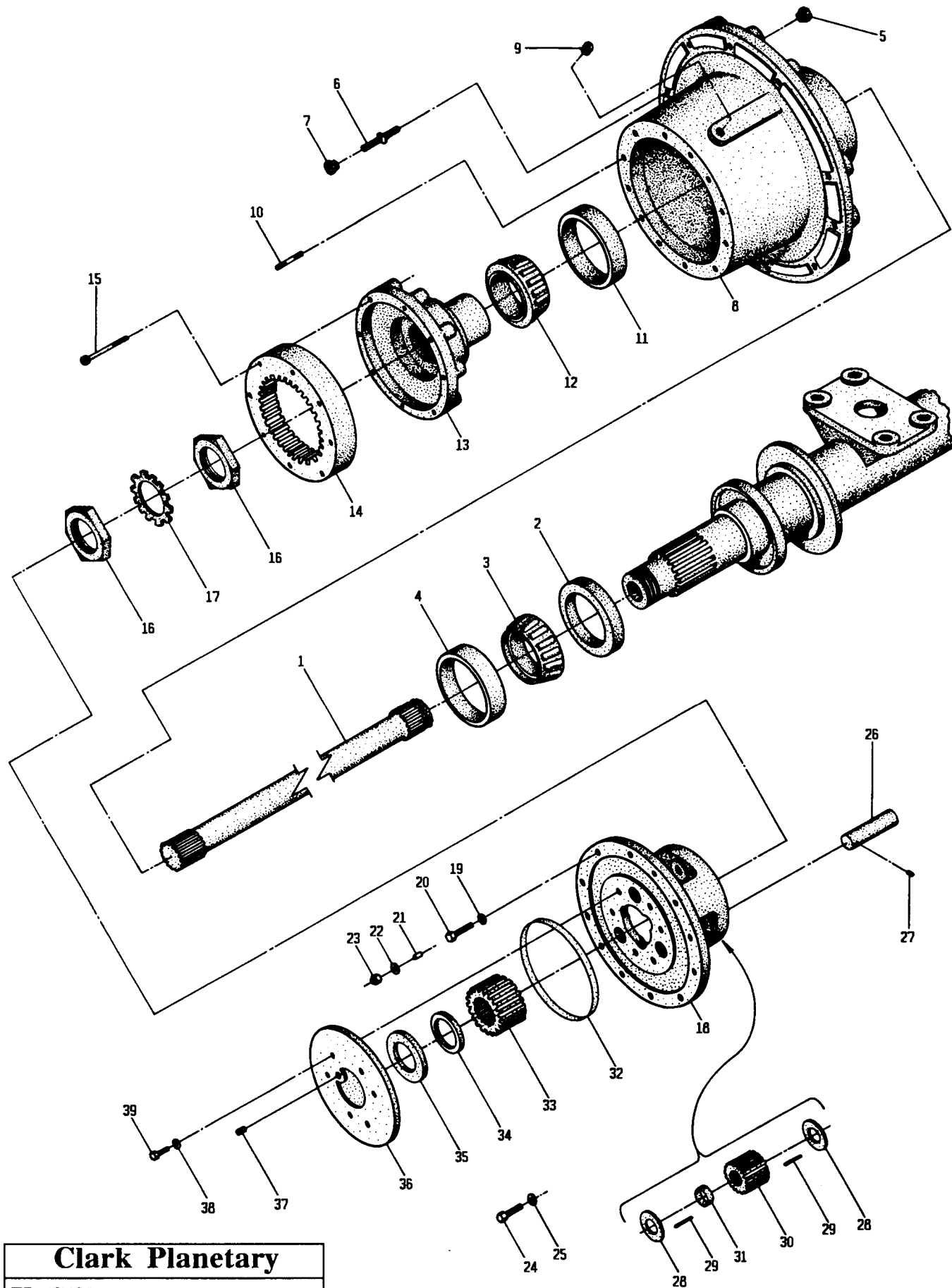
REF	AFTERMARKET NO.	DESCRIPTION/COMMENT	QTY
1	4004100	Shaft, Axle	1
	4004101	Shaft, Axle - Narrow	1
2	4194101	Spindle	1
3	4114100	Sleeve	1
4	3664100	Retainer, Oil Seal	1
5	1174100	Capscrew	14
6	3924100	Seal, Oil	1
7	4454102	Washer	1
8	1220151	Bearing Cone - Inner	1
9	1200150	Bearing Cup - Inner	1
10	4271800	Stud, Wheel	12
11	3151800	Nut, Wheel	12
12		Hub, Wheel	N/A
13	1200156	Bearing Cup - Outer	1
14	1220160	Bearing Cone - Outer	1
15	2504101	Gear, Hub - For 20° pressure angle	1
	2504102	Gear, Hub - For 25° pressure angle RP12/10-H5007 Only	1
16	3154100	Nut	1
17	3034100	Lockring	2
18	3684103	Snapping	1
19	4454100	Washer	1
20	3684101	Snapping, Hub Retainer	1
21	2484100	Gear, Ring - For 20° pressure angle	1
	2484101	Gear, Ring - For 25° pressure angle	
22	2464100	RP12/10-H5007 Only Gear, Axle - For 20° pressure angle	1
	2464101	Gear, Axle - For 25° pressure angle RP12/10-H5007 Only	1
23	3684102	Snapping	1

Manufacturers' names, part numbers and model numbers are for reference purposes only. We do not suggest or imply that any item is that of the original manufacturer. (c) 1991 Aftermarket Parts Inc.

# GKN Planetary

REF	AFTERMARKET NO.	DESCRIPTION/COMMENT	QTY
24	4174100	Spider	1
25	2444100	Gear, Planetary - For 20° pressure angle	3
	2444101	Gear, Planetary - For 25° pressure angle RP12/10-H5007 Only	3
26	3334100	Pin, Planetary	3
27	3904100	Screw	3
28	3174100	Seal, O'Ring	3
29	4454103	Washer	23
30	1174101	Capscrew	23
31	3504100	Plug, Filler	1
32	1384100	Button, Thrust	1
33	4454101	Washer	1
34	1174102	Bolt	1
35	1744100	Cover	1
36	1174103	Bolt	6

Manufacturers' names, part numbers and model numbers are for reference purposes only. We do not suggest or imply that any item is that of the original manufacturer. (c) 1991 Aftermarket Parts Inc.



**Clark Planetary**

FD-17600  
RD-17600



# Clark Planetary

**Model Numbers:**

FD-17600

RD-17600

REF	AFTERMARKET NO.	DESCRIPTION/COMMENT	QTY
1	4000301	Shaft, Axle	1
2	3922101	Seal, Oil	1
3	1220129	Bearing Cone - Inner	1
4	1200129	Bearing Cup - Inner	1
5	3140308	Nut, Stud	10
	3140309	Nut, Stud	10
6	4270300	Stud, Wheel	10
	4270301	Stud, Wheel	10
7	3150301	Nut, Wheel	10
8		Hub Ass'y	1
9	3500302	Plug, Filler	1
10	4280303	Stud, Spider Mounting	5
11	1200118	Bearing Cup - Outer	1
12	1220118	Bearing Cone - Outer	1
13	2500300	Hub, Ring Gear - Old Style	1
14	2490300	Gear, Ring - Old Style	1
	2490301	Gear, Ring and Hub Ass'y - New Style	1
15	1170307	Bolt	8
16	3150300	Nut	2
17	3030303	Lock	1
	4180300	Planetary Ass'y	1
18	4170300	Spider	1
19	4430302	Washer, Lock	2
20	1170308	Bolt	2
21	3300301	Dowel	5
22	4440309	Washer, Flat	5
23	3110302	Nut	5
24	1170309	Bolt	5
25	4440309	Washer, Flat	5
26	3330300	Pin, Planetary	3

Manufacturers' names, part numbers and model numbers are for reference purposes only. We do not suggest or imply that any item is that of the original manufacturer. (c) 1991 Aftermarket Parts Inc.

# Clark Planetary

REF	AFTERMARKET NO.	DESCRIPTION/COMMENT	QTY
27	1020300	Ball, Lock	3
28	4420300	Washer, Thrust	6
29	1330102	Needle Bearing	174
30	2440300	Gear, Planetary	3
31	4140300	Spacer, Bearing	3
32	3710302	Ring, Seal	1
33	2460300	Gear, Sun	1
34	3680351	Snapping	1
35	4420305	Washer, Thrust	1
36	1740301	Cover	1
37	3500303	Plug, Oil Level	1
38	4440308	Washer, Flat	6
39	1170310	Bolt	6

Manufacturers' names, part numbers and model numbers are for reference purposes only. We do not suggest or imply that any item is that of the original manufacturer. (c) 1991 Aftermarket Parts Inc.

**TRANSMISSION**

**NEW PROCESS**

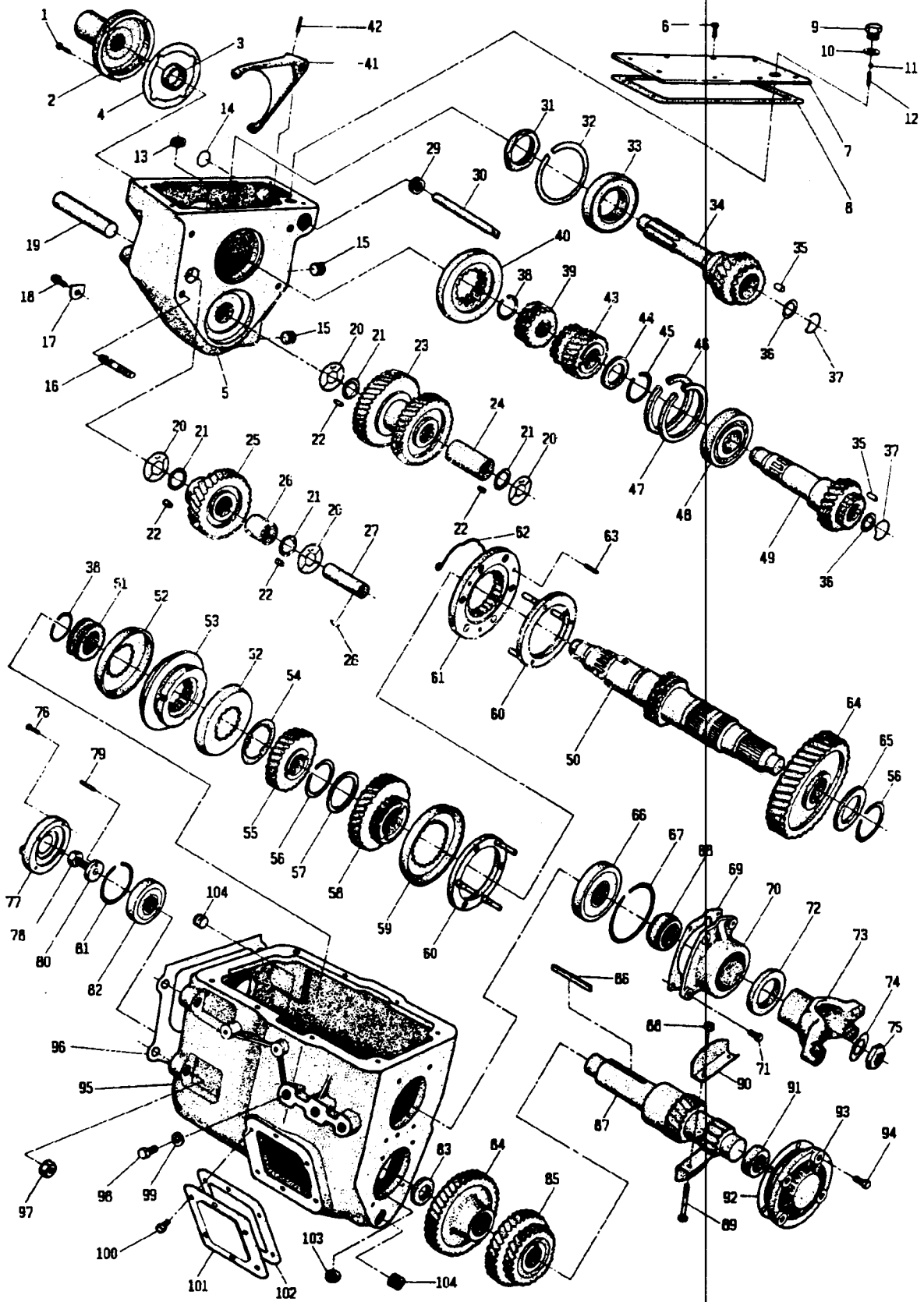
**MODEL NUMBER**

**PAGE NUMBER**

441R TRANSMISSION . . . . .	100
441R TOP COVER. . . . .	150
442 TRANSMISSION . . . . .	200
442R TRANSMISSION . . . . .	200
442 TOP COVER. . . . .	250
442R TOP COVER. . . . .	250
542R TRANSMISSION . . . . .	300
542R TOP COVER. . . . .	350

Manufacturers' names, part numbers and model numbers are for reference purposes only. We do not suggest or imply that any item is that of the original manufacturer. (c) 1991 Aftermarket Parts, Inc.





<b>New Process Transmission</b>	<b>441R</b>
---------------------------------	-------------

Manufacturers' names, part numbers and model numbers are for reference purposes only. We do not suggest or imply that any item is that of the original manufacturer. © 1992 Aftermarket Parts Inc.

# New Process

**Model Numbers:**  
441R

REF	AFTERMARKET NO.	DESCRIPTION/COMMENT	QTY
	4352200	Transmission Ass'y	1
	4352202	Reverse Box Ass'y	1
	4352201	Main Box Ass'y	1
1	3912201	Screw	4
2	3662203	Retainer, Bearing	1
3	3922146	Seal	1
4	2272200	Gasket	1
5	1552201	Housing - Reverse Box	1
6	3892202	Screw and Lockwasher	8
7	1712200	Cover - Reverse Box	1
8	2272206	Gasket - Reverse Box	1
9	3522203	Plug	1
10	2272207	Gasket	1
11	1032201	Ball, Poppet	1
12	4212200	Spring, Poppet	1
13	3042200	Magnet	1
14	3522202	Plug	1
15	3502901	Plug	2
16	1172909	Stud - Reverse Box	4
17	3482200	Lock	1
18	3892200	Screw and Lockwasher	1
19	4012200	Countershaft	1
20	4422203	Washer, Thrust	4
21	4442201	Washer	4
22	1330101	Bearing, Needle	56
23	2402213	Gear, Cluster	1
24	4132201	Spacer	1
25	2402212	Gear - Reverse Idler	1
26	4132202	Spacer	1
27	4012201	Shaft - Reverse Idler	1

Manufacturers' names, part numbers and model numbers are for reference purposes only. We do not suggest or imply that any item is that of the original manufacturer. (c) 1992 Aftermarket Parts Inc.

## New Process

REF	AFTERMARKET NO.	DESCRIPTION/COMMENT	QTY
28	2812201	Key	1
29	3922132	Seal	1
30	3582203	Rail	1
31	3142200	Nut	1
32	3682204	Snapping	1
33	1240106	Bearing	1
34	2402223	Gear - Main Drive	1
35	1330101	Bearing, Needle	28
36	4442200	Washer	2
37	3682209	Snapping	1
38	3682200	Snapping	A/R
	3682201	Snapping	A/R
	3682202	Snapping	A/R
	3682203	Snapping	A/R
39	2402202	Gear - Clutch	1
40	2402200	Gear - Sliding Clutch	1
41	2252202	Fork	1
42	3342908	Pin, Roll	1
43	2402201	Gear	1
44	4142202	Spacer	1
45	3682205	Snapping	A/R
	3682206	Snapping	A/R
	3682207	Snapping	A/R
	3682208	Snapping	A/R
46	3682204	Snapping	1
47	4142204	Spacer	1
48	1240110	Bearing	1
49	2402221	Gear - Main Drive	1
50	4012204	Mainshaft	1
51	2402210	Gear - Clutch	1
52	3722200	Ring - 3rd and 4th Synchronizer	2
53	4322205	Synchronizer Ass'y	1
54	4062204	Shim	A/R
	4062205	Shim	A/R
55	2402214	Gear - 3rd	1

Manufacturers' names, part numbers and model numbers are for reference purposes only. We do not suggest or imply that any item is that of the original manufacturer. (c) 1992 Aftermarket Parts Inc.

## New Process

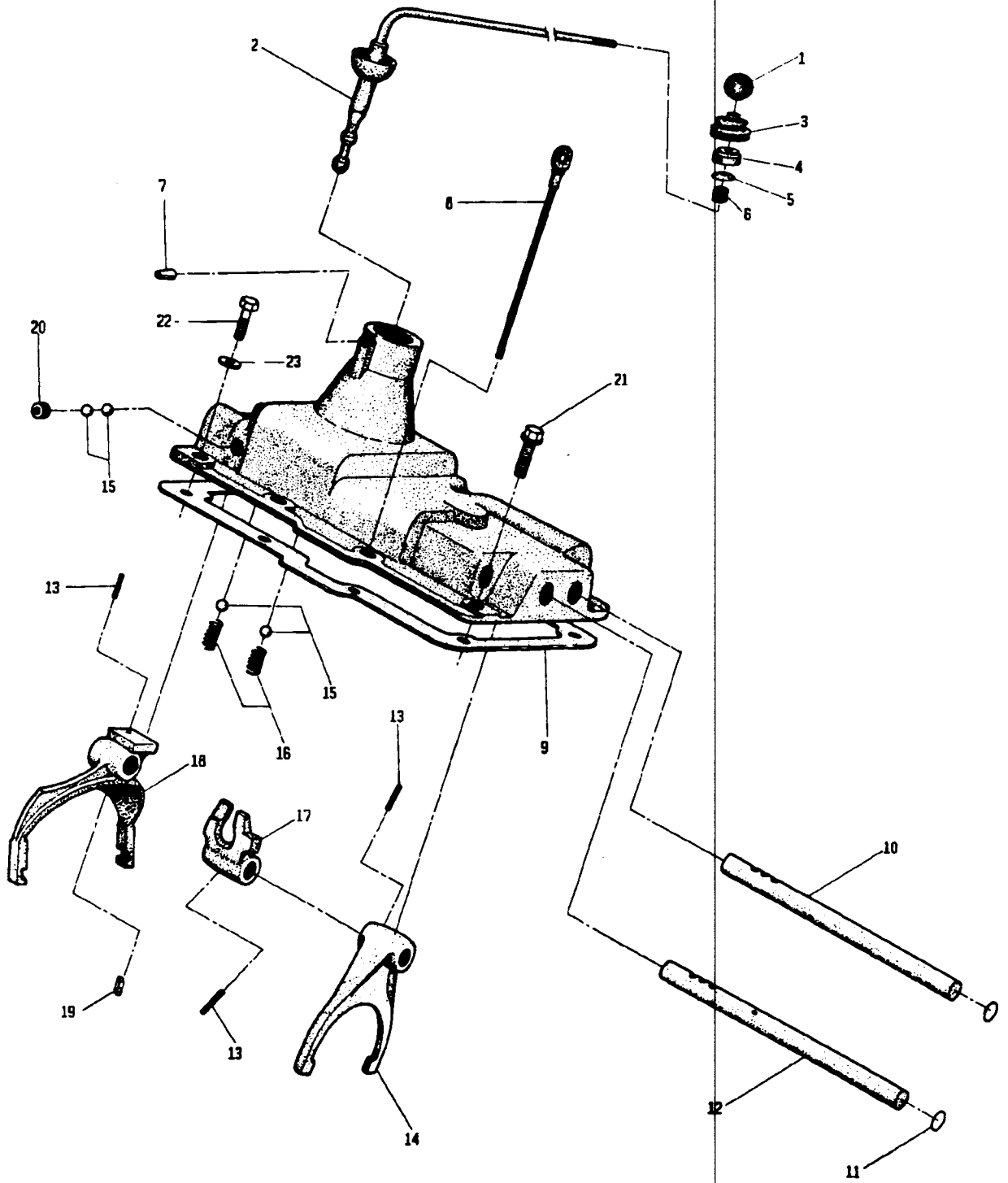
REF	AFTERMARKET NO.	DESCRIPTION/COMMENT	QTY
56	3682210	Snapping	1
57	4452201	Washer	1
58	2402220	Gear - 2nd	1
59	3722207	Ring - 2nd Speed Synchronizer	1
60	3722204	Synchronizer Ring and Pin - Low Speed	1
61	3722204	Synchronizer Ring and Pin - 2nd Speed	1
	4322201	Synchronizer Ass'y Sliding Clutch Ass'y	1 N/A
62	4232201	Spring	2
63	3372201	Pin	3
64	2402219	Gear - Low Speed	1
65	4422204	Washer	1
66	1240109	Bearing	1
67	3682211	Snapping	1
68	4142203	Spacer	1
69	2272201	Gasket	1
70	3652200	Retainer Ass'y	1
		Retainer	N/A
71	3892203	Screw and Lockwasher	4
72	3922147	Seal	1
73	4482711	Yoke - 1410	1
	4482713	Yoke - 1480	1
74	4442203	Washer	1
75	3142201	Nut - Mainshaft	1
76	3892205	Screw and Lockwasher	4
77	3662202	Retainer	1
78	1172201	Bolt	1
79	3342201	Pin - Outer	1
	3342200	Pin - Inner	1
80	4442202	Washer	1
81	3682212	Snapping	1
82	1240104	Bearing	1
83	4442204	Washer	1
84	2402208	Gear - Countershaft Drive	1
85	2402204	Gear - 2nd and 3rd	1

Manufacturers' names, part numbers and model numbers are for reference purposes only. We do not suggest or imply that any item is that of the original manufacturer. (c) 1992 Aftermarket Parts Inc.

## New Process Transmission

REF	AFTERMARKET NO.	DESCRIPTION/COMMENT	QTY
86	2812202	Key	1
87	4012203	Countershaft	1
88	3112201	Nut	2
89	1172200	Bolt	2
90	4122200	Slinger	2
91	1280100	Bearing	1
92	2272208	Gasket	1
93	3642200	Retainer, Bearing	1
94	3892204	Screw and Lockwasher	4
95	1552202	Case and Magnet	1
96	2272205	Gasket	1
97	3112204	Nut - Reverse Box	4
98	3892208	Screw	3
99	4432201	Washer, Lock	3
100	3892200	Screw and Lockwasher	12
101	1712203	Cover - P.T.O.	2
102	2272209	Gasket - P.T.O.	2
103	3042200	Magnet	1
104	3502901	Plug, Drain	2
	2832200	Gasket Kit, Main Box	1
	2832201	Gasket Kit, Main and Reverse Box	1
	2842200	Gasket and Seal Kit, Main and Reverse Box	1
	2820100	Bearing, Gasket & Seal Kit, Main & Reverse Box	1

Manufacturers' names, part numbers and model numbers are for reference purposes only. We do not suggest or imply that any item is that of the original manufacturer. (c) 1995 Aftermarket Parts Inc.



<b>New Process Transmission</b>	<b>441R</b>
---------------------------------	-------------

Manufacturers' names, part numbers and model numbers are for reference purposes only. We do not suggest or imply that any item is that of the original manufacturer. © 1992 Aftermarket Parts Inc.



## New Process

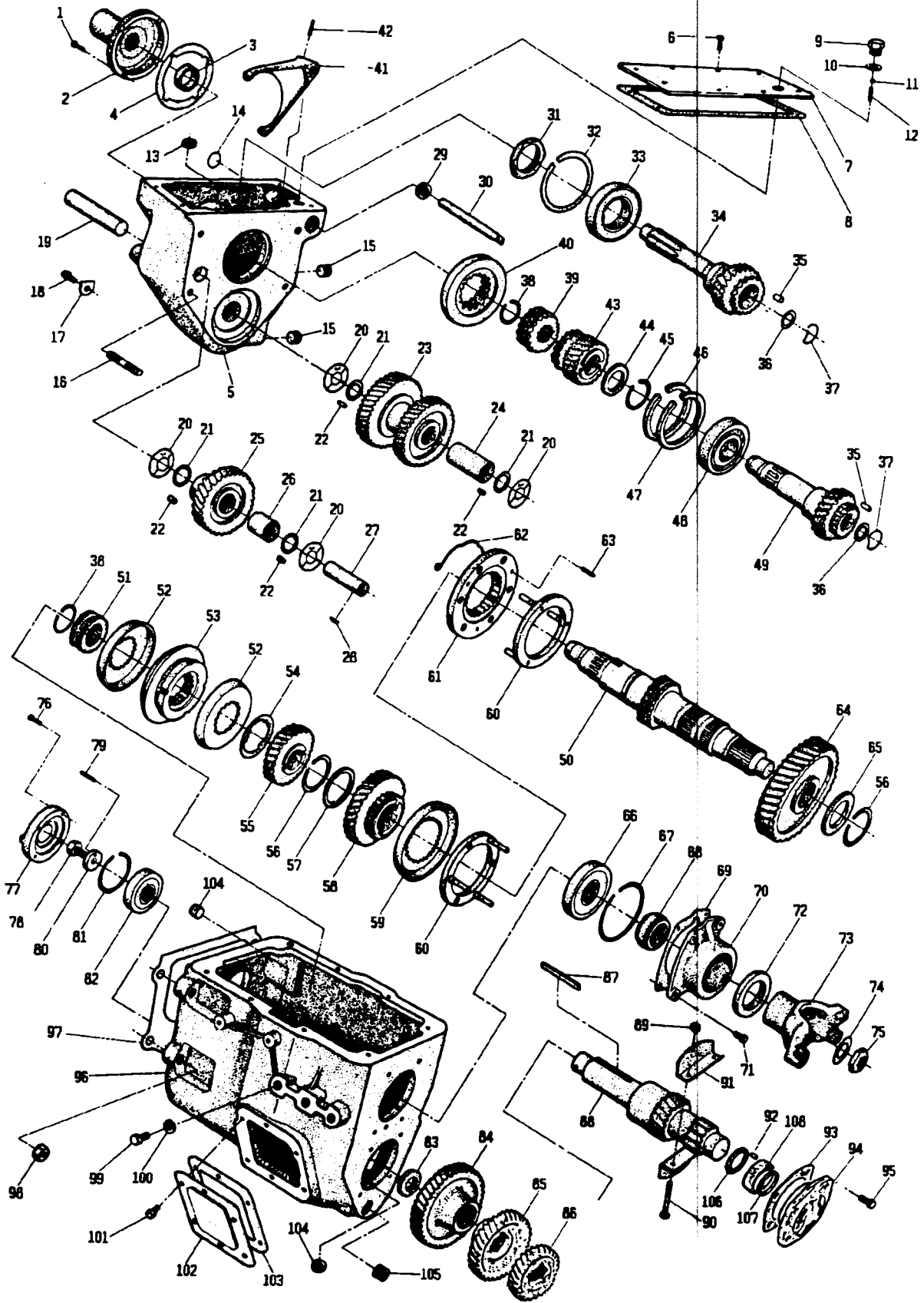
**Model Numbers:**  
441R

REF	AFTERMARKET NO.	DESCRIPTION/COMMENT	QTY
1	1712202	Top Cover Ass'y (Includes Top Cover and items 7, 10 through 23)	1
	1712201	Cover, Top	1
	2862200	Kit, Transmission Boot	1
	2932200	Knob	1
2	2962200	Lever, Shift	1
3	1182200	Boot	1
4	1522200	Cap	1
5	3662200	Cup	1
6	4212204	Spring	1
7	3362200	Pin, Trunnion	2
8	1872900	Dipstick	1
9	2272202	Gasket	1
10	3582201	Rail	1
11	3522200	Plug	4
12	3582202	Rail	1
13	3342909	Pin, Spiral 7/32 X 1 1/18	3
14	2252200	Fork	1
15	1032201	Ball	4
16	4212201	Spring	2
17	4602200	Lug	1
18	2252201	Fork	1
19	2792200	Insert	2
20	3522201	Plug	1
21	3892203	Screw and Lockwasher	3
22	3872200	Screw	2
23	4432903	Washer, Lock	2

Manufacturers' names, part numbers and model numbers are for reference purposes only. We do not suggest or imply that any item is that of the original manufacturer. (c) 1992 Aftermarket Parts Inc.







<b>New Process Transmission</b>	442 442R
---------------------------------	----------

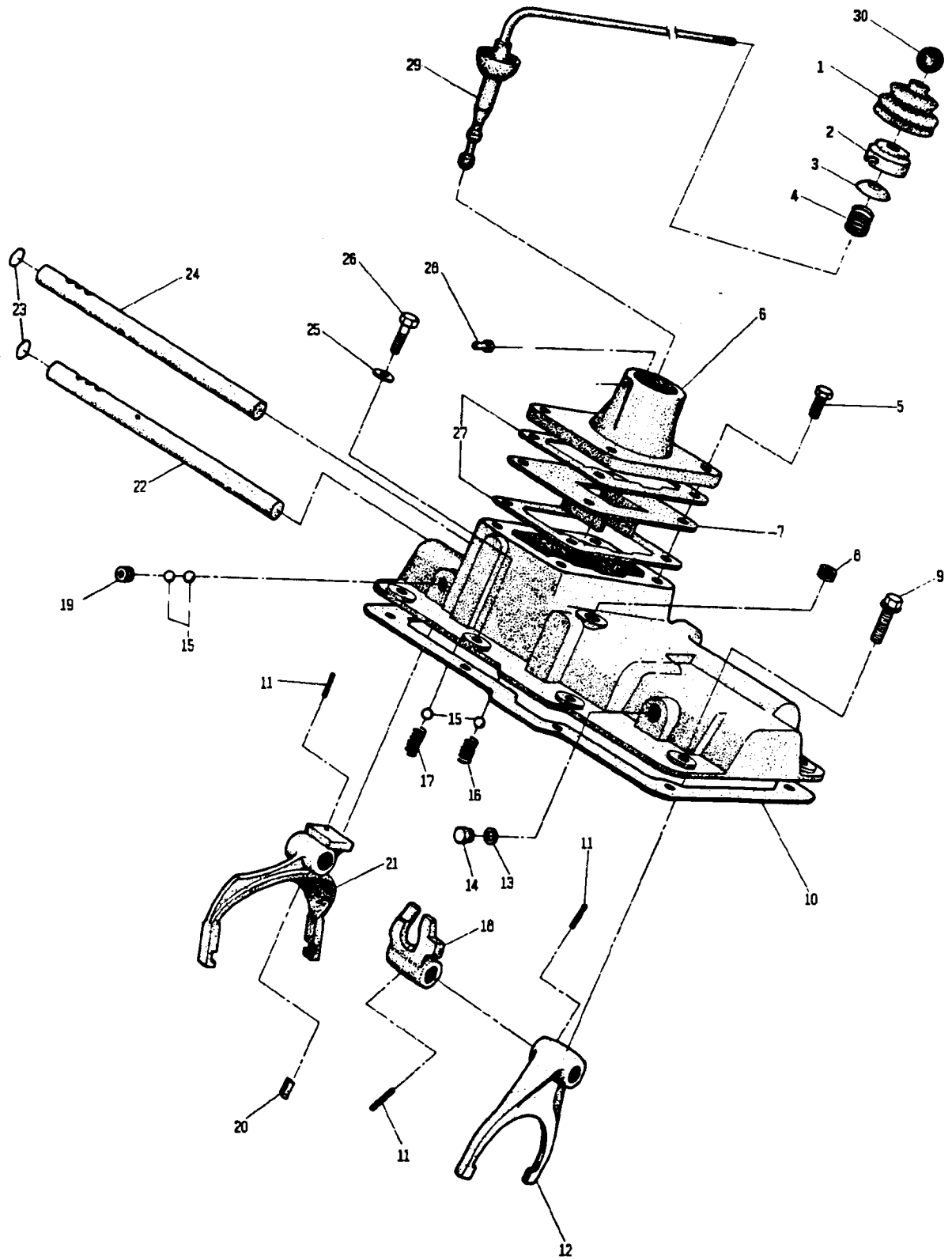
Manufacturers' names, part numbers and model numbers are for reference purposes only. We do not suggest or imply that any item is that of the original manufacturer. © 1992 Aftermarket Parts Inc.



## New Process Transmission

REF	AFTERMARKET NO.	DESCRIPTION/COMMENT	QTY
82	1240121	Bearing	1
83	4422202	Washer	1
84	2402207	Gear - Countershaft Drive	1
85	2402206	Gear - 3rd	1
86	2402205	Gear - Countershaft 2nd	1
87	2812200	Key	1
88	4012202	Countershaft	1
89	3112201	Nut	2
90	1172200	Bolt	2
91	4122200	Slinger	2
92	1330101	Bearing, Needle	24
93	2272208	Gasket	1
94	3642201	Retainer Countershaft	1
95	3892204	Screw and Lockwasher	4
96	1552204	Case and Magnet w/o Reverse Box	1
	1552203	Case and Magnet w/ Reverse Box	1
97	2272205	Gasket	1
98	3112204	Nut - Reverse Box	4
99	3892208	Screw	3
100	4432201	Washer, Lock	3
101	3892200	Screw and Lockwasher	6
102	1712203	Cover - P.T.O.	2
103	2272209	Gasket - P.T.O.	2
104	3042200	Magnet	1
105	3502901	Plug	2
106	4132203	Spacer - Bearing Cap, Outer	1
107	4132204	Spacer - Bearing Cap, Inner	1
108		Race, Bearing	N/A
	2832200	Gasket Kit, Main Box	1
	2832201	Gasket Kit, Main and Reverse Box	1
	2842200	Gasket and Seal Kit, Main and Reverse Box	1
	2820102	Bearing, Gasket & Seal Kit, Main and Reverse Box	1

Manufacturers' names, part numbers and model numbers are for reference purposes only. We do not suggest or imply that any item is that of the original manufacturer. (c) Aftermarket Parts Inc.



**New Process Transmission** | 442 442R

Manufacturers' names, part numbers and model numbers are for reference purposes only. We do not suggest or imply that any item is that of the original manufacturer. ©1992 Aftermarket Parts Inc.

# New Process

**Model Numbers:**

442

442R

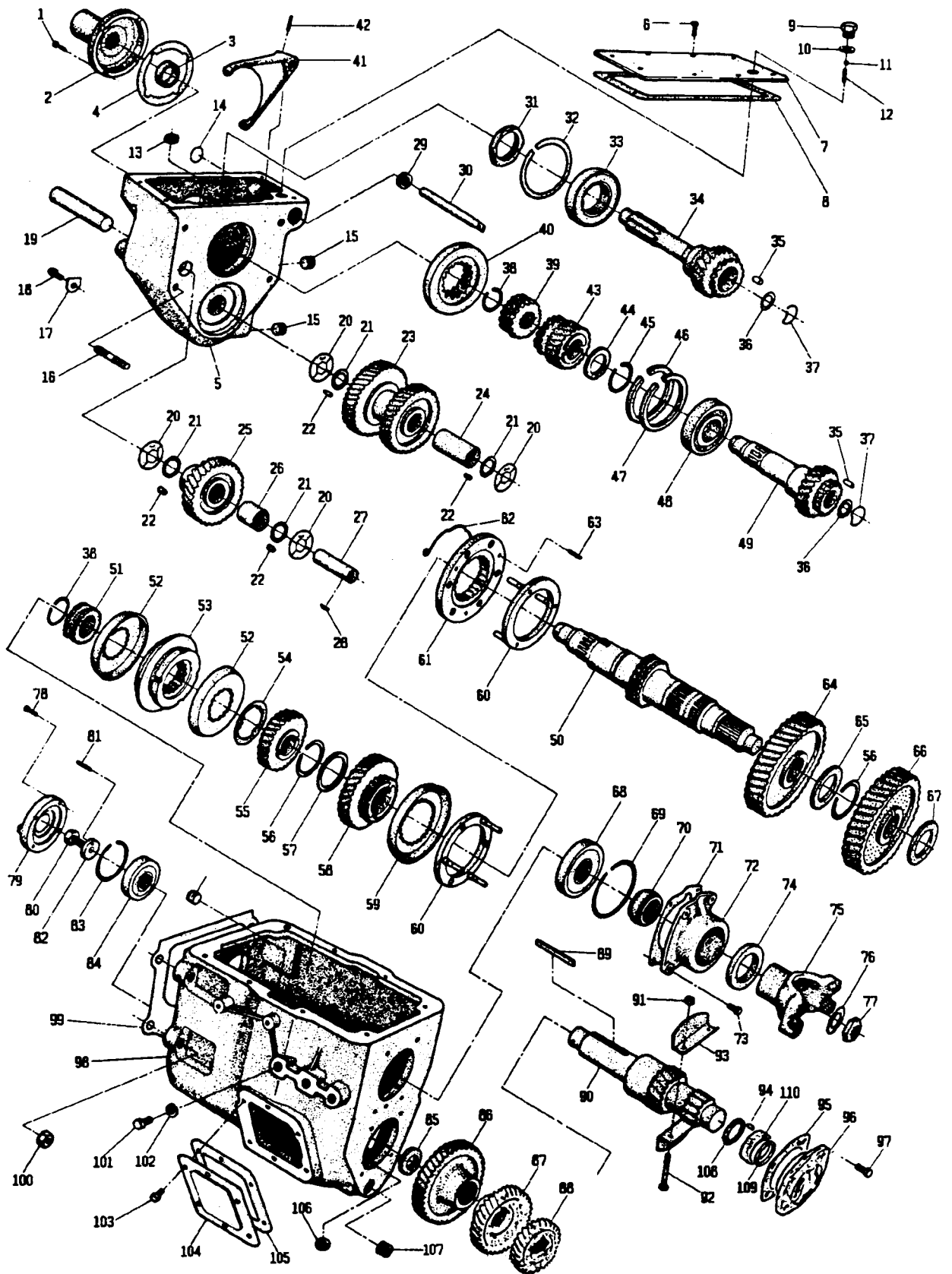
REF	AFTERMARKET NO.	DESCRIPTION/COMMENT	QTY
	1712204	Lower Cover Ass'y	1
	1712206	Cover, Lower	1
	2862200	Kit, Transmission Boot	1
1	1182200	Boot	1
2	1522200	Cap	1
3	3662200	Cup	1
4	4212204	Spring	1
5	3892204	Screw and Lockwasher	4
6	1712205	Upper Cover Ass'y (Includes Item 28)	1
7	2232200	Deflector, Oil	1
8	3/8	Plug, Pipe	N/A
9	3892203	Screw and Lockwasher	5
10	2272202	Gasket	1
11	3342909	Pin, Spiral 7/32 X 1 1/8	3
12	2252200	Fork - Low and 2nd	1
13	2272207	Gasket	1
14	3522203	Plug	1
15	1032201	Ball	4
16	4212201	Spring - Low and 2nd	1
17	4212200	Spring - 3rd and 4th	1
18	4602200	Lug	1
19	3522201	Plug	1
20	2792200	Insert	2
21	2252201	Fork - 3rd and 4th	1
22	3582202	Rail - 3rd and 4th	1
23	3522202	Plug	2
24	3582205	Rail - Low and 2nd	1
25	4432903	Washer, Lock	2
26	3872200	Screw	2
27	2272204	Gasket	2

Manufacturers' names, part numbers and model numbers are for reference purposes only. We do not suggest or imply that any item is that of the original manufacturer. (c) 1992 Aftermarket Parts Inc.

**New Process**

<b>REF</b>	<b>AFTERMARKET NO.</b>	<b>DESCRIPTION/COMMENT</b>	<b>QTY</b>
28	3362200	Pin, Trunnion	2
29	2962200	Lever, Shift	1
30	2932200	Knob	1

Manufacturers' names, part numbers and model numbers are for reference purposes only. We do not suggest or imply that any item is that of the original manufacturer. (c) 1992 Aftermarket Parts Inc.



<b>New Process Transmission</b>	<b>542R</b>
---------------------------------	-------------

Manufacturers' names, part numbers and model numbers are for reference purposes only. We do not suggest or imply that any item is that of the original manufacturer. © 1992 Aftermarket Parts Inc.



## New Process

**Model Numbers:**  
542R

REF	AFTERMARKET NO.	DESCRIPTION/COMMENT	QTY
	4352207	Transmission Ass'y w/Reverse Box.	1
	4352205	Reverse Box Ass'y	1
	4352208	Main Box Ass'y	1
1	3912201	Screw	4
2	3662203	Retainer, Bearing	1
3	3922146	Seal	1
4	2272200	Gasket	1
5	1552201	Housing - Reverse Box	1
6	3892202	Screw and Lockwasher	8
7	1712200	Cover - Reverse Box	1
8	2272206	Gasket - Reverse Box	1
9	3522203	Plug	1
10	2272207	Gasket	1
11	1032201	Ball	1
12	4212201	Spring	1
13	3042200	Magnet	1
14	3522202	Plug	1
15	3502901	Plug	2
16	1172909	Stud, Reverse Box	4
17	3482200	Lock	1
18	3892200	Screw and Lockwasher	1
19	4012200	Countershaft	1
20	4422203	Washer, Thrust	4
21	4442201	Washer	4
22	1330101	Bearing, Needle	56
23	2402213	Gear, Cluster	1
24	4132201	Spacer	1
25	2402212	Gear - Reverse Idler	1
26	4132202	Spacer	1
27	4012201	Shaft - Reverse Idler	1

Manufacturers' names, part numbers and model numbers are for reference purposes only. We do not suggest or imply that any item is that of the original manufacturer. (c) 1992 Aftermarket Parts Inc.

## New Process

REF	AFTERMARKET NO.	DESCRIPTION/COMMENT	QTY
28	2812201	Key	1
29	3922132	Seal	1
30	3582200	Rail	1
31	3142200	Nut	1
32	3682204	Snapring	1
33	1240106	Bearing	1
34	2402223	Gear - Main Drive	1
35	1330101	Bearing, Needle	28
36	4442200	Washer	2
37	3682209	Snapring	2
38	3682200	Snapring	A/R
	3682201	Snapring	A/R
	3682202	Snapring	A/R
	3682203	Snapring	A/R
39	2402202	Gear, Clutch	1
40	2402200	Gear - Sliding Clutch	1
41	2252202	Fork	1
42	3342908	Pin, Roll	1
43	2402201	Gear	1
44	4142202	Spacer	1
45	3682205	Snapring	A/R
	3682206	Snapring	A/R
	3682207	Snapring	A/R
	3682208	Snapring	A/R
46	3682204	Snapring	1
47	4142204	Spacer	1
48	1240110	Bearing	1
49	2402203	Gear - Main Drive, w/Reverse Box	1
50	4012209	Mainshaft	1
51	2402210	Gear - Clutch	1
52	3722206	Ring - 3rd and 4th Synchronizer	2
53	4322205	Synchronizer Ass'y	1
54	4062204	Shim	A/R
	4062205	Shim	A/R
55	2402218	Gear - 3rd	1

Manufacturers' names, part numbers and model numbers are for reference purposes only. We do not suggest or imply that any item is that of the original manufacturer. (c) 1992 Aftermarket Parts Inc.

# New Process

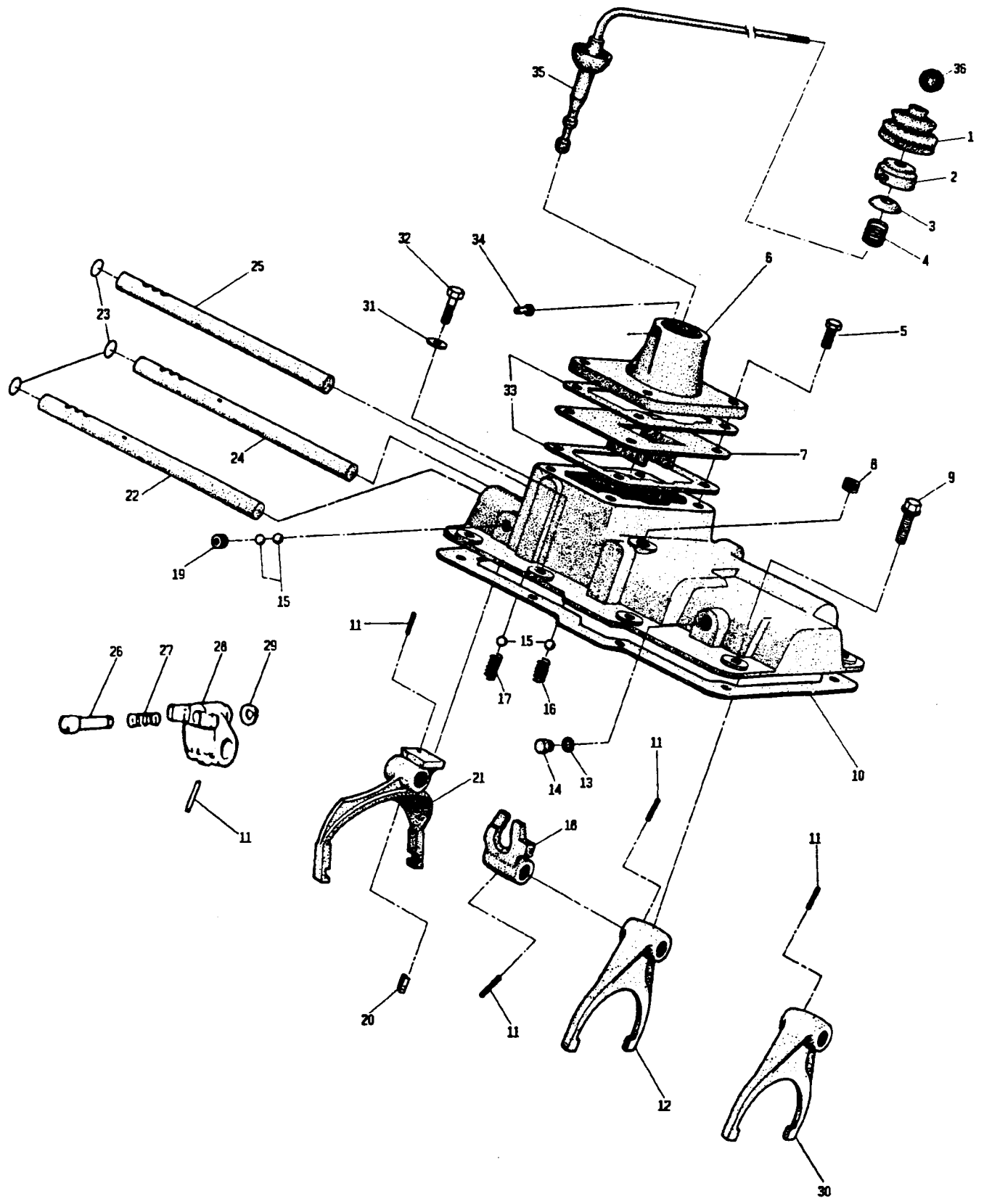
REF	AFTERMARKET NO.	DESCRIPTION/COMMENT	QTY
56	3682213	Ring	1
57	4452201	Washer	1
58	2402217	Gear - 2nd	1
59	3722203	Ring - 2nd Speed Synchronizer	1
60	3722201	Synchronizer Ring and Pin-Low Speed	1
	3722202	Synchronizer Ring and Pin-2nd Speed	1
	4322202	Synchronizer Ass'y	1
61	4322200	Sliding Clutch Ass'y	1
62	4232200	Spring	3
63	3372201	Pin	3
64	2402216	Gear - Low Speed	1
65	4422204	Washer	1
66	2402215	Gear - Low 40T	1
67	4262200	Stop - Low Speed Gear	1
68	1240109	Bearing Ass'y	1
69	3682211	Snapping	1
70	4142203	Spacer	1
71	2272203	Gasket	1
72	3652204	Retainer Ass'y - 5 Speed	1
73	3892203	Screw and Lockwasher	4
74	3922147	Seal	1
75	4482716	Yoke - 1410	1
	4482729	Yoke - 1480	1
76	4442203	Washer	1
77	3142201	Nut - Mainshaft	1
78	3892201	Screw and Lockwasher	4
79	3662204	Retainer - w/Reverse Box	1
80	1172201	Bolt	1
81	3342201	Pin - Outer	1
	3342200	Pin - Inner	1
82	4442205	Washer	1
83	3682214	Snapping	1
84	1240121	Bearing	1
85	4422202	Washer	1
86	2402207	Gear - Countershaft Drive	1

Manufacturers' names, part numbers and model numbers are for reference purposes only. We do not suggest or imply that any item is that of the original manufacturer. (c) 1992 Aftermarket Parts Inc.

## New Process Transmission

REF	AFTERMARKET NO.	DESCRIPTION/COMMENT	QTY
87	2402206	Gear - 3rd	1
88	2402205	Gear - Countershaft 2nd	1
89	2812200	Key	1
90	4012202	Countershaft	1
91	3112201	Nut	2
92	1172200	Bolt	2
93	4122200	Slinger	2
94	1330101	Bearing, Needle	24
95	2272205	Gasket	1
96	3642201	Retainer Countershaft	1
97	3892204	Screw and Lockwasher	4
98	1552203	Case and Magnet w/ Reverse Box	1
99	2272205	Gasket	1
100	3112204	Nut - Reverse Box	4
101	3892208	Screw	3
102	4432201	Washer, Lock	3
103	3892200	Screw and Lockwasher	6
104	1712203	Cover - P.T.O.	2
105	2272209	Gasket - P.T.O.	2
106	3042200	Magnet	1
107	3502901	Plug	2
108	4132203	Spacer-Bearing Cap, Outer	1
109	4132204	Spacer-Bearing Cap, Inner	1
110		Race, Bearing	N/A
	2832200	Gasket Kit, Main Box	1
	2832201	Gasket Kit, Main and Reverse Box	1
	2842200	Gasket and Seal Kit, Main and Reverse Box	1

Manufacturers' names, part numbers and model numbers are for reference purposes only. We do not suggest or imply that any item is that of the original manufacturer. (c) 1994 Aftermarket Parts Inc.



New Process Transmission	542R
--------------------------	------

Manufacturers' names, part numbers and model numbers are for reference purposes only. We do not suggest or imply that any item is that of the original manufacturer. ©1992 Aftermarket Parts Inc.

## New Process

**Model Numbers:**  
542R

REF	AFTERMARKET NO.	DESCRIPTION/COMMENT	QTY
	1712204	Lower Cover Ass'y	1
	1712206	Cover, Lower	1
	2862200	Kit, Transmission Boot	1
1	1182200	Boot	1
2	1522200	Cap	1
3	3662200	Cup	1
4	4212204	Spring	1
5	3892204	Screw and Lockwasher	4
6	1712205	Upper Cover Ass'y (Includes Item 28)	1
7	2232200	Deflector, Oil	1
8	3/8	Plug, Pipe	1
9	3892203	Screw and Lockwasher	5
10	2272202	Gasket	1
11	3342909	Pin, Spiral 7/32 X 1 1/8	3
12	2252200	Fork - 2nd and 3rd	1
13	2272207	Gasket	1
14	3522203	Plug	1
15	1032201	Ball	4
16	4212201	Spring	2
17	4212200	Spring - 4th and 5th	1
18	4602200	Lug	1
19	3522201	Plug	1
20	2792200	Insert	2
21	2252201	Fork - 4th and 5th	1
22	3582202	Rail - 4th and 5th	1
23	3522202	Plug	2
24	3582205	Rail - 2nd and 3rd	1
25	3582206	Rail - Low	1
26	4592200	Plunger	1
27	4212205	Spring	1

Manufacturers' names, part numbers and model numbers are for reference purposes only. We do not suggest or imply that any item is that of the original manufacturer. (c) 1992 Aftermarket Parts Inc.

# New Process

REF	AFTERMARKET NO.	DESCRIPTION/COMMENT	QTY
28	4602201	Lug	1
29	3662205	Retainer - Low Plunger	1
30	2252204	Fork - Low	1
31	4432903	Washer, Lock	2
32	3872200	Screw	2
33	2272204	Gasket	2
34	3362200	Pin, Trunnion	2
35	2962200	Lever, Shift	1
36	2932200	Knob	1

Manufacturers' names, part numbers and model numbers are for reference purposes only. We do not suggest or imply that any item is that of the original manufacturer. (c) 1992 Aftermarket Parts Inc.

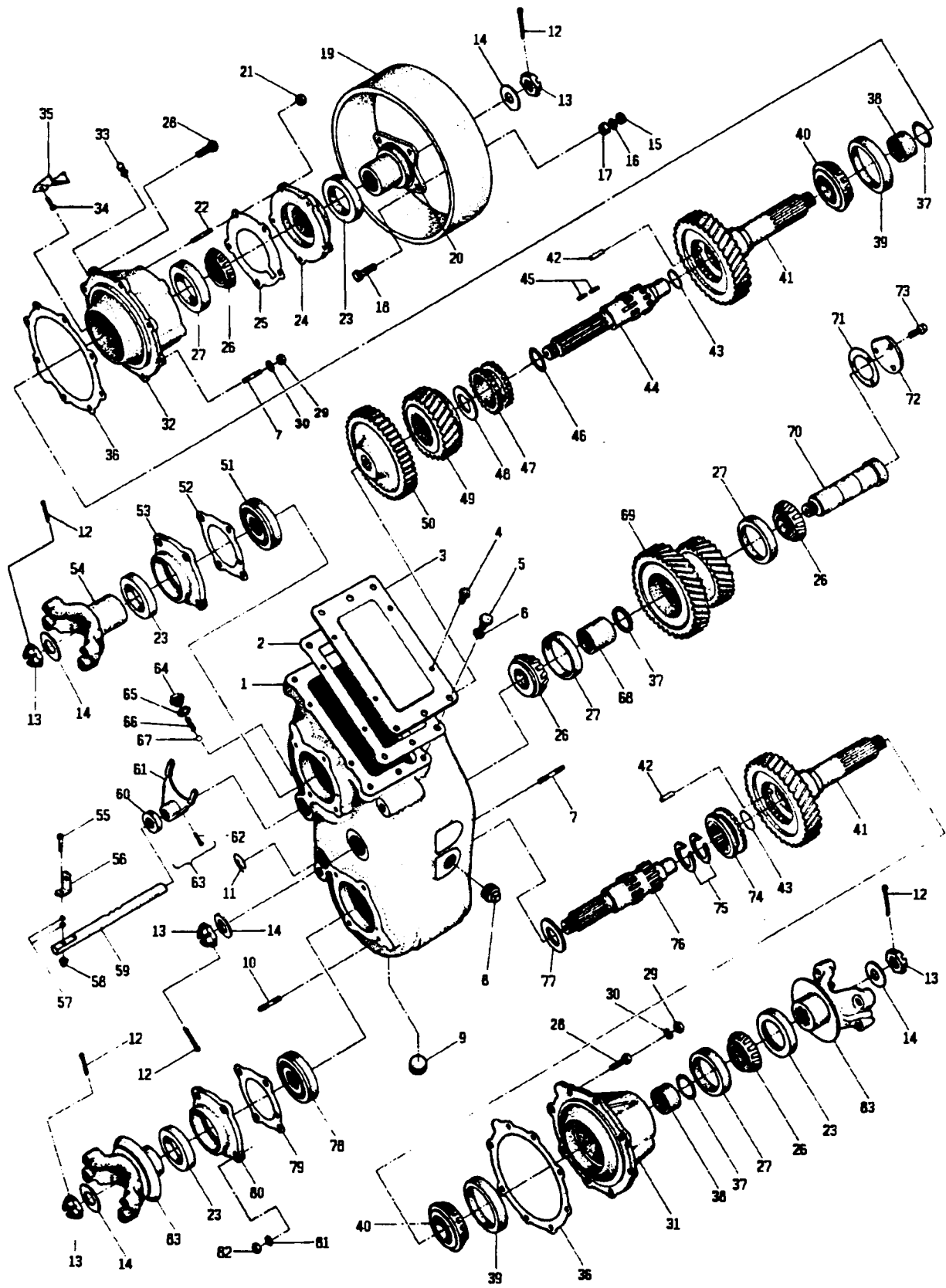
**TRANSFER CASE**

**NEW PROCESS**

<b>MODEL NUMBER</b>	<b>PAGE NUMBER</b>
208 TIMBERJACK. . . . .	100
225 TIMBERJACK. . . . .	100
230 TIMBERJACK. . . . .	100
240 TIMBERJACK. . . . .	200

Manufacturers' names, part numbers and model numbers are for reference purposes only. We do not suggest or imply that any item is that of the original manufacturer. (c) 1991 Aftermarket Parts, Inc.





**New Process Transfer Case**

208,225,230 TIMBERJACK

Manufacturers' names, part numbers and model numbers are for reference purposes only. We do not suggest or imply that any item is that of the original manufacturer. ©1992 Aftermarket Parts Inc.



## New Process

**Model Numbers:**  
208, 225, 230 Timberjack

REF	AFTERMARKET NO.	DESCRIPTION/COMMENT	QTY
	1562200	Transfer Case Ass'y	1
1	1562204	Housing - Includes Ref #60	1
2	2282205	Gasket - P.T.O. Cover	1
3	1732200	Cover - P.T.O.	1
4	3892200	Screw and Lockwasher	4
5	3902200	Setscrew	6
6	4442905	Washer, Flat 1/2"	6
7	4282904	Stud	16
8	3502901	Plug, Filler	1
9	3502901	Plug, Drain	1
10	4282903	Stud	8
11	3522902	Plug - Expansion	1
12	3372202	Pin, Cotter	5
13	3112200	Nut	5
14	4442904	Washer, 7/8" GR.8	5
15	3112906	Nut	4
16	4432903	Washer, Lock	4
17	4142901	Spacer	4
18	4272902	Bolt	4
19	1972500	Drum, Brake	1
20	4542702	Flange - Brake Companion	1
21	3142904	Locknut, 1/2"	5
22	4281800	Stud, 1/2" x 2 1/4"	5
23	3922110	Seal	4
24	3652201	Retainer	1
25	2282203	Gasket	1
26	1220105	Cone, Bearing	4
27	1200105	Cup, Bearing	4
28	3892902	Screw and Lockwasher	8
29	3112203	Nut	16

Manufacturers' names, part numbers and model numbers are for reference purposes only. We do not suggest or imply that any item is that of the original manufacturer. (c) 1992 Aftermarket Parts Inc.

## New Process

REF	AFTERMARKET NO.	DESCRIPTION/COMMENT	QTY
30	4432904	Washer, Lock	16
31	1562202	Retainer	1
32	1562201	Retainer	1
33	1422900	Breather	1
34	3752200	Rivet	1
35		Baffle	N/A
36	2282200	Gasket	2
37	4062200	Shim - .004	A/R
	4062201	Shim - .005	A/R
	4062202	Shim - .013	A/R
	4062203	Shim - .015	A/R
38	4142201	Spacer	2
39	1200110	Cup, Bearing	2
40	1220110	Cone, Bearing	2
41	2422200	Gear, Stem	2
42	1330103	Bearing, Roller	30
43	3702200	Snapping	2
44	4022203	Shaft - Upper Drive	1
45	1330100	Bearing, Roller	70
46	4142200	Spacer	1
47	2422204	Gear, Clutch	1
48	4422201	Washer, Thrust	1
49	2422202	Gear, Drive	1
50	2422209	Gear, P.T.O.	1
51	1240134	Bearing Ass'y	1
52	2282201	Gasket	1
53	3652202	Retainer	1
54	4482705	Yoke	1
55	N/U	Bolt	N/U
56	N/U	Bracket, Lock	N/U
57	N/U	Washer, Flat	N/U
58	N/U	Locknut	N/U
59	3582204	Rail, Shift - 2nd Speed	1
60	3922132	Seal	1
61	2252203	Fork - Shift	1

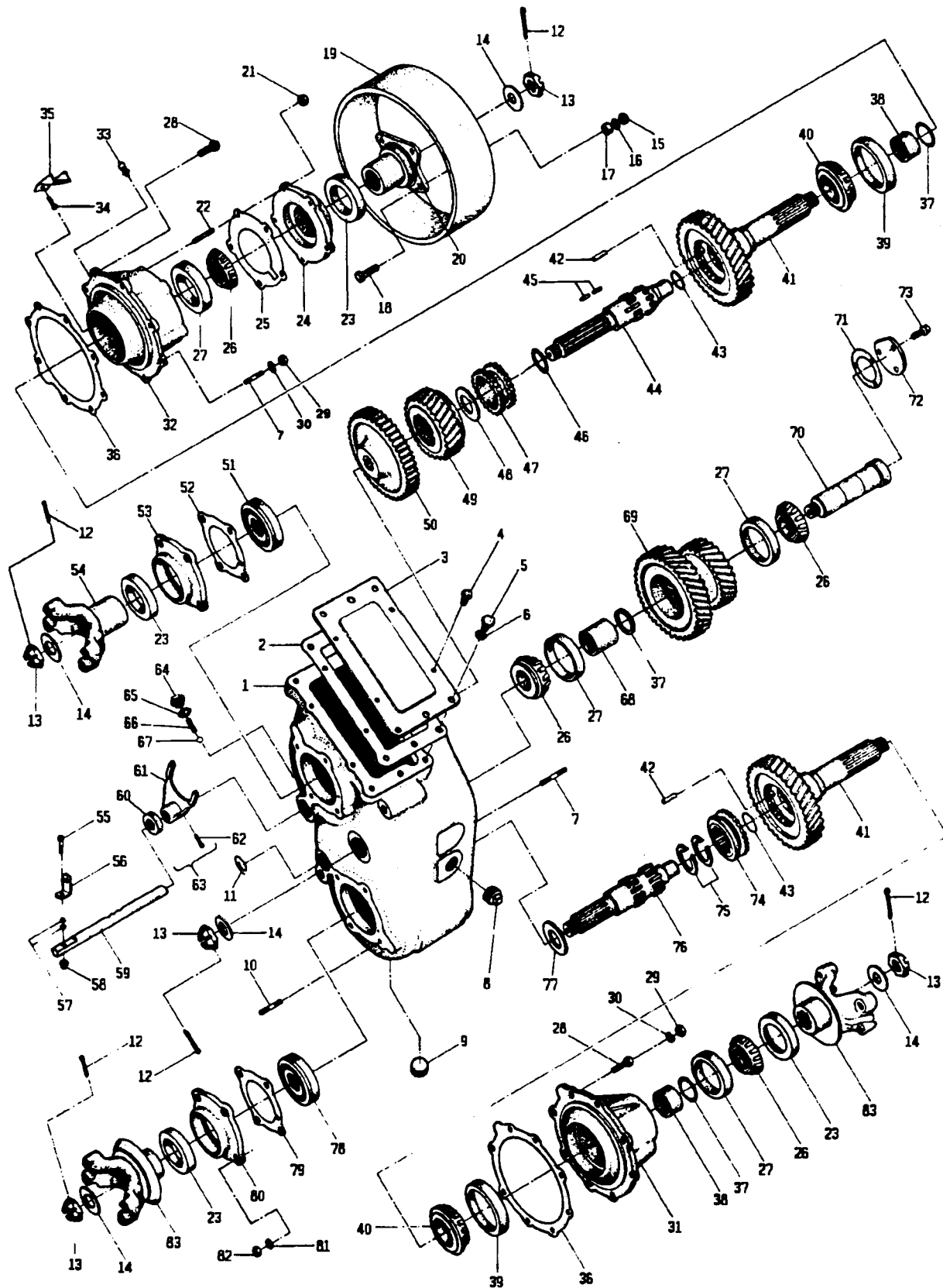
Manufacturers' names, part numbers and model numbers are for reference purposes only. We do not suggest or imply that any item is that of the original manufacturer. (c) 1992 Aftermarket Parts Inc.

## New Process Transmission

REF	AFTERMARKET NO.	DESCRIPTION/COMMENT	QTY
62	3912200	Screw - Shift Fork	1
63		Lockwire	N/A
64	3912901	Screw - Shift Rail Poppet	1
65	2282204	Gasket - Poppet Screw	1
66	4212203	Spring	1
67	1032200	Ball	1
68	4132200	Spacer	1
69	2422205	Gear, Idler	1
70	4022201	Shaft - Idler Gear	1
71	2282202	Gasket	1
72	1732201	Cover - Idler Gear Shaft	1
73	3892202	Screw and Lockwasher	3
74	2422203	Gear, Clutch	1
75	3682904	Snapping	2
76	4022202	Shaft - Lower Drive	1
77	4422200	Washer, Thrust	1
78	1240134	Bearing Ass'y	1
79	2282201	Gasket	1
80	3652202	Retainer	1
81	4432903	Washer, Lock	8
82	3112202	Nut	8
83	4482705	Yoke	2
	2842901	Gasket - Seal Set	1
	2832902	Gasket Set	1
	2820101	Bearing, Gasket & Seal Kit	1

Manufacturers' names, part numbers and model numbers are for reference purposes only. We do not suggest or imply that any item is that of the original manufacturer. (c) 1995 Aftermarket Parts Inc.





<b>New Process Transfer Case</b>	<b>240 TIMBERJACK</b>
----------------------------------	-----------------------

Manufacturers' names, part numbers and model numbers are for reference purposes only. We do not suggest or imply that any item is that of the original manufacturer. © 1992 Aftermarket Parts Inc.





# New Process

**Model Numbers:**  
240 Timberjack

REF	AFTERMARKET NO.	DESCRIPTION/COMMENT	QTY
	1562203	Transfer Case Ass'y	1
1	1562205	Housing - Includes Ref #60	1
2	2282205	Gasket - P.T.O. Cover	1
3	1732200	Cover - P.T.O.	1
4	3892200	Screw and Lockwasher	4
5	3902200	Setscrew	6
6	4442905	Washer, Flat 1/2"	6
7	4282904	Stud	16
8	3502901	Plug, Filler	1
9	3502901	Plug, Drain	1
10	4282903	Stud	8
11	3522902	Plug - Expansion	1
12	3372202	Pin, Cotter	5
13	3112200	Nut	5
14	4442904	Washer, 7/8" GR.8	5
15	3112906	Nut	4
16	4432903	Washer, Lock	4
17	4142901	Spacer	4
18	4272902	Bolt	4
19	1972500	Drum, Brake	1
20	4542702	Flange - Brake Companion	1
21	3142904	Locknut, 1/2"	5
22	4281800	Stud, 1/2" x 2 1/4"	5
23	3922110	Seal	4
24	3652201	Retainer	1
25	2282203	Gasket	1
26	1220105	Cone, Bearing	4
27	1200105	Cup, Bearing	4
28	3892902	Screw and Lockwasher	8
29	3112203	Nut	16

Manufacturers' names, part numbers and model numbers are for reference purposes only. We do not suggest or imply that any item is that of the original manufacturer. (c) 1992 Aftermarket Parts Inc.

## New Process

REF	AFTERMARKET NO.	DESCRIPTION/COMMENT	QTY
30	4432904	Washer, Lock	16
31	1562202	Retainer	1
32	1562201	Retainer	1
33	1422900	Breather	1
34	3752200	Rivet	1
35		Baffle	N/A
36	2282200	Gasket	2
37	4062200	Shim - .004	A/R
	4062201	Shim - .005	A/R
	4062202	Shim - .013	A/R
	4062203	Shim - .015	A/R
38	4142201	Spacer	2
39	1200110	Cup, Bearing	2
40	1220110	Cone, Bearing	2
41	2422200	Gear, Stem	2
42	1330103	Bearing, Roller	30
43	3702200	Snapping	2
44	4022200	Shaft - Upper Drive	1
45	1330100	Bearing, Roller	70
46	4142200	Spacer	1
47	2422204	Gear, Clutch	1
48	4422201	Washer, Thrust	1
49	2422202	Gear, Drive	1
50	2422210	Gear, P.T.O	1
51	1240109	Bearing Ass'y	1
52	2282206	Gasket	1
53	3652203	Retainer	1
54	4482713	Yoke	1
55	N/U	Bolt	N/U
56	N/U	Bracket, Lock	N/U
57	N/U	Washer, Flat	N/U
58	N/U	Locknut	N/U
59	3582204	Rail, Shift - 2nd Speed	1
60	3922132	Seal	1
61	2252203	Fork - Shift	1

Manufacturers' names, part numbers and model numbers are for reference purposes only. We do not suggest or imply that any item is that of the original manufacturer. (c) 1992 Aftermarket Parts Inc.

## New Process

REF	AFTERMARKET NO.	DESCRIPTION/COMMENT	QTY
62	3912200	Screw - Shift Fork	1
63		Lockwire	N/A
64	3912901	Screw - Shift Rail Poppet	1
65	2282204	Gasket - Poppet Screw	1
66	4212203	Spring	1
67	1032200	Ball	1
68	4132200	Spacer	1
69	2422205	Gear, Idler	1
70	4022201	Shaft - Idler Gear	1
71	2282202	Gasket	1
72	1732201	Cover - Idler Gear Shaft	1
73	3892202	Screw and Lockwasher	3
74	2422203	Gear, Clutch	1
75	3682904	Snapping	2
76	4022202	Shaft - Lower Drive	1
77	4422200	Washer, Thrust	1
78	1240134	Bearing Ass'y	1
79	2282201	Gasket	1
80	3652202	Retainer	1
81	4432903	Washer, Lock	8
82	3112202	Nut	8
83	4482714	Yoke	2
	2842901	Gasket Set	1
	2832902	Gasket Set	1

Manufacturers' names, part numbers and model numbers are for reference purposes only. We do not suggest or imply that any item is that of the original manufacturer. (c) 1992 Aftermarket Parts Inc.



**BELL HOUSING AND CLUTCH**

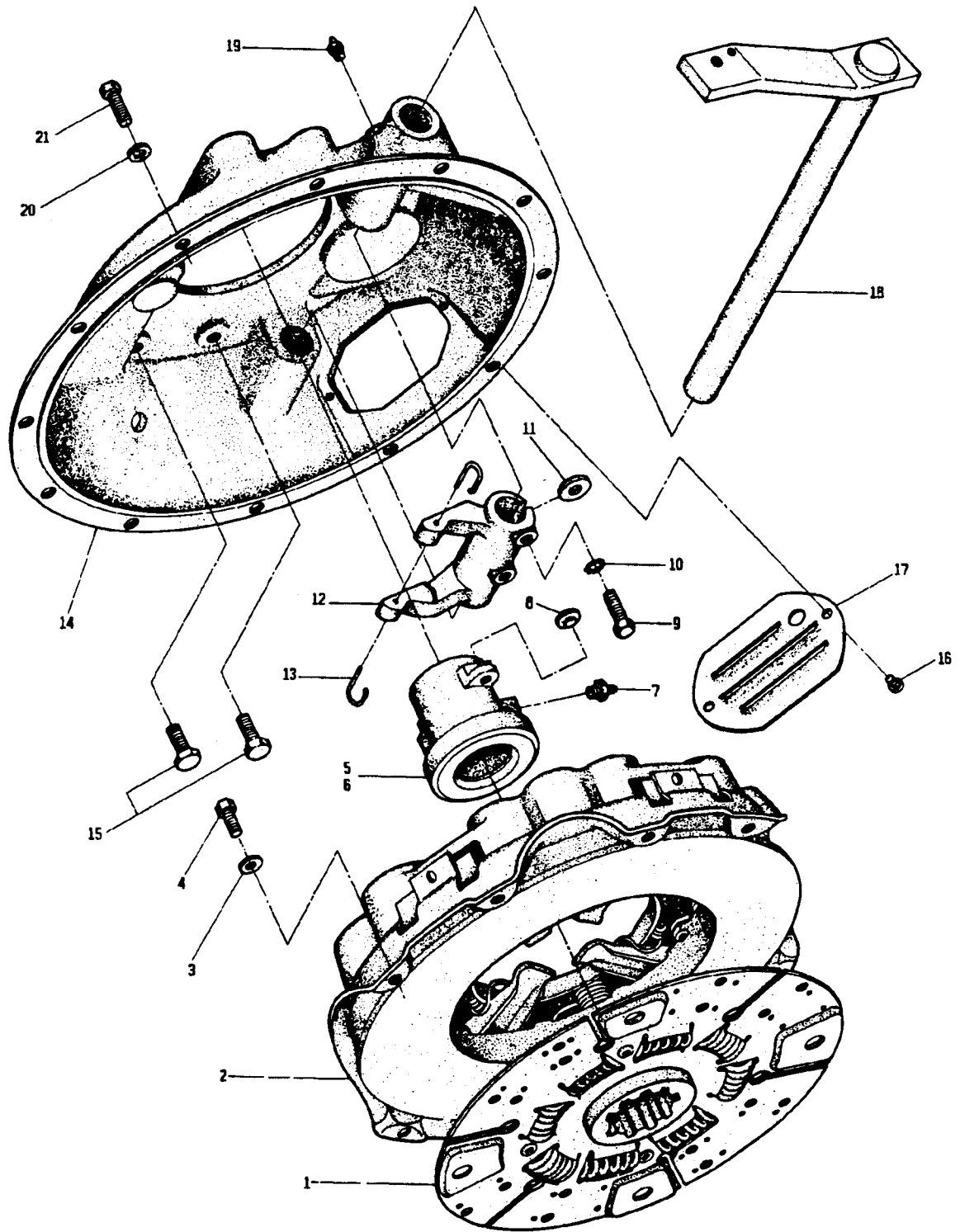
**NEW PROCESS**

<b>MODEL NUMBER</b>	<b>PAGE NUMBER</b>
441R TRANSMISSION WITH 12" CLUTCH . . . . .	100
442 TRANSMISSION WITH 12" CLUTCH . . . . .	200
441R TRANSMISSION WITH 13" CLUTCH . . . . .	300
442R TRANSMISSION WITH 13" CLUTCH . . . . .	300
442 TRANSMISSION WITH 13" CLUTCH . . . . .	400

**FRANKLIN**

<b>MODEL NUMBER</b>	<b>PAGE NUMBER</b>
FRANKLIN 14" CLUTCH. . . . .	500

Manufacturers' names, part numbers and model numbers are for reference purposes only. We do not suggest or imply that any item is that of the original manufacturer. (c) 1991 Aftermarket Parts, Inc.



## New Process Bell Housing and Clutch

441R Transmission  
 12" Clutch  
 208, 225, 230 Timberjack

Manufacturers' names, part numbers and model numbers are for reference purposes only. We do not suggest or imply that any item is that of the original manufacturer. © 1992 Aftermarket Parts Inc.



## New Process

### Model Numbers:

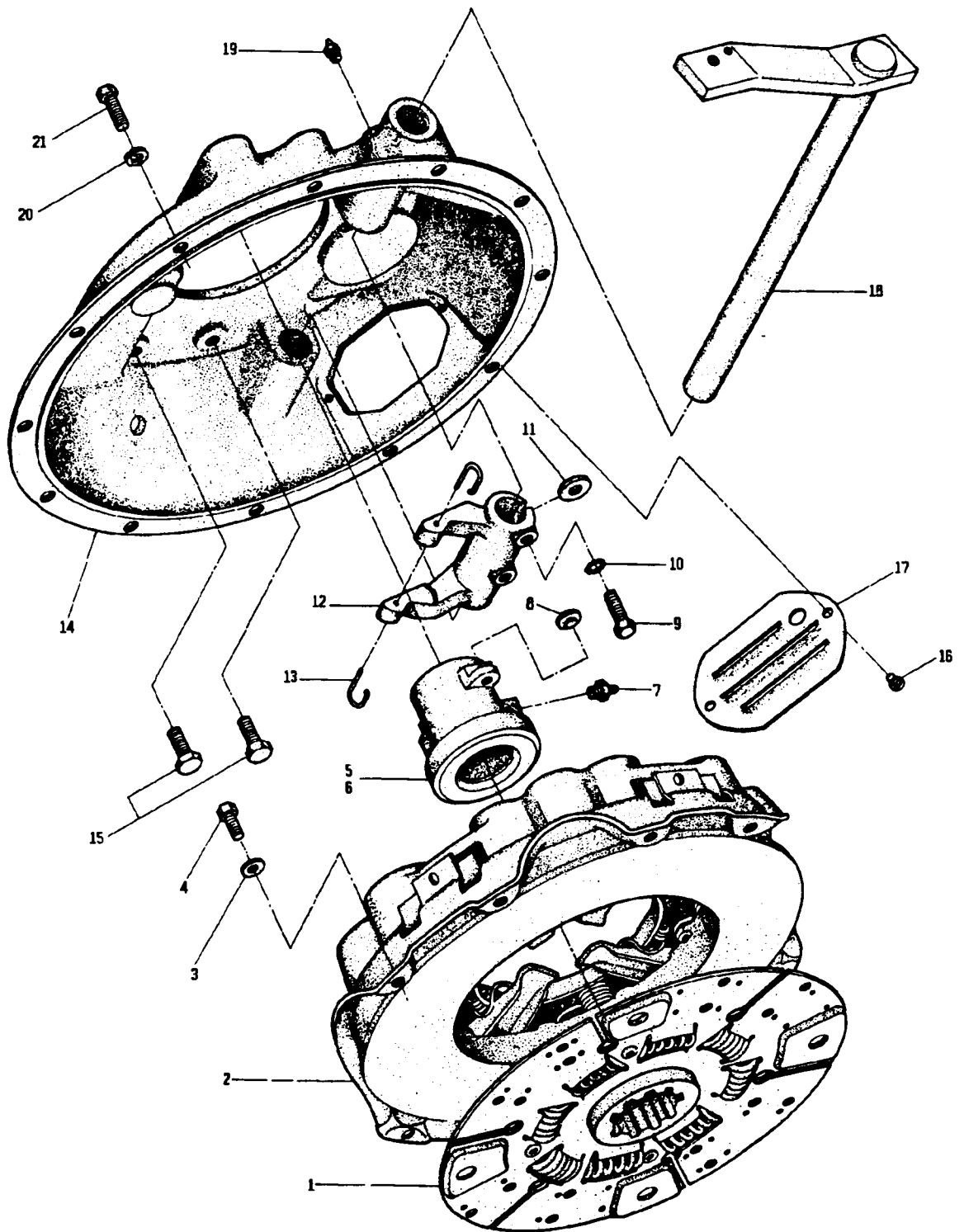
Bell Housing and Clutch  
 441R Transmission  
 12" Clutch  
 208, 225, 230 Timberjack

REF	AFTERMARKET NO.	DESCRIPTION/COMMENT	QTY
1	1911401	Plate, Clutch - 12"	1
2	1721400	Cover, Clutch - 12"	1
3	4430303	Washer, Lock	6
4	3/8-16UNCX1	Bolt - GR8	6
5	1310104	Bearing and Sleeve Ass'y - Old Style	1
6	1310108	Bearing and Sleeve Ass'y - New Style	1
	1310101	Bearing, Release - Greaseable - Old Style	1
	1310100	Bearing, Release - Non-Greaseable - Old Style	1
	1310109	Bearing, Release - New Style	1
7	2182900	Fitting, Grease	1
8	3202200	Pad	2
9	1172901	Capscrew	2
10	4432202	Washer, Lock	2
11	4452202	Washer, Key	2
12	2262200	Yoke	1
13	4212202	Spring	2
14	1552205	Housing, Bell	1
15	1172202	Bolt, Self-Locking	4
16	3892206	Screw and Lockwasher	2
17	1712207	Cover	1
18	2962201	Lever	1
19	2182900	Fitting, Grease	1
20	3/8	Washer, Lock - G.M.	10
	4432901	Washer, Flat - 3/8 Perkins	10
21	3/8-16UNCX1	Bolt - G.M.	10
	3/8-24UNFX1	Bolt - Perkins	10

Manufacturers' names, part numbers and model numbers are for reference purposes only. We do not suggest or imply that any item is that of the original manufacturer. (c) 1992 Aftermarket Parts Inc.







## New Process Bell Housing and Clutch

442 Transmission w/o Reverse Box  
 12" Clutch  
 208, 225, 230 Timberjack

Manufacturers' names, part numbers and model numbers are for reference purposes only. We do not suggest or imply that any item is that of the original manufacturer. © 1992 Aftermarket Parts Inc.



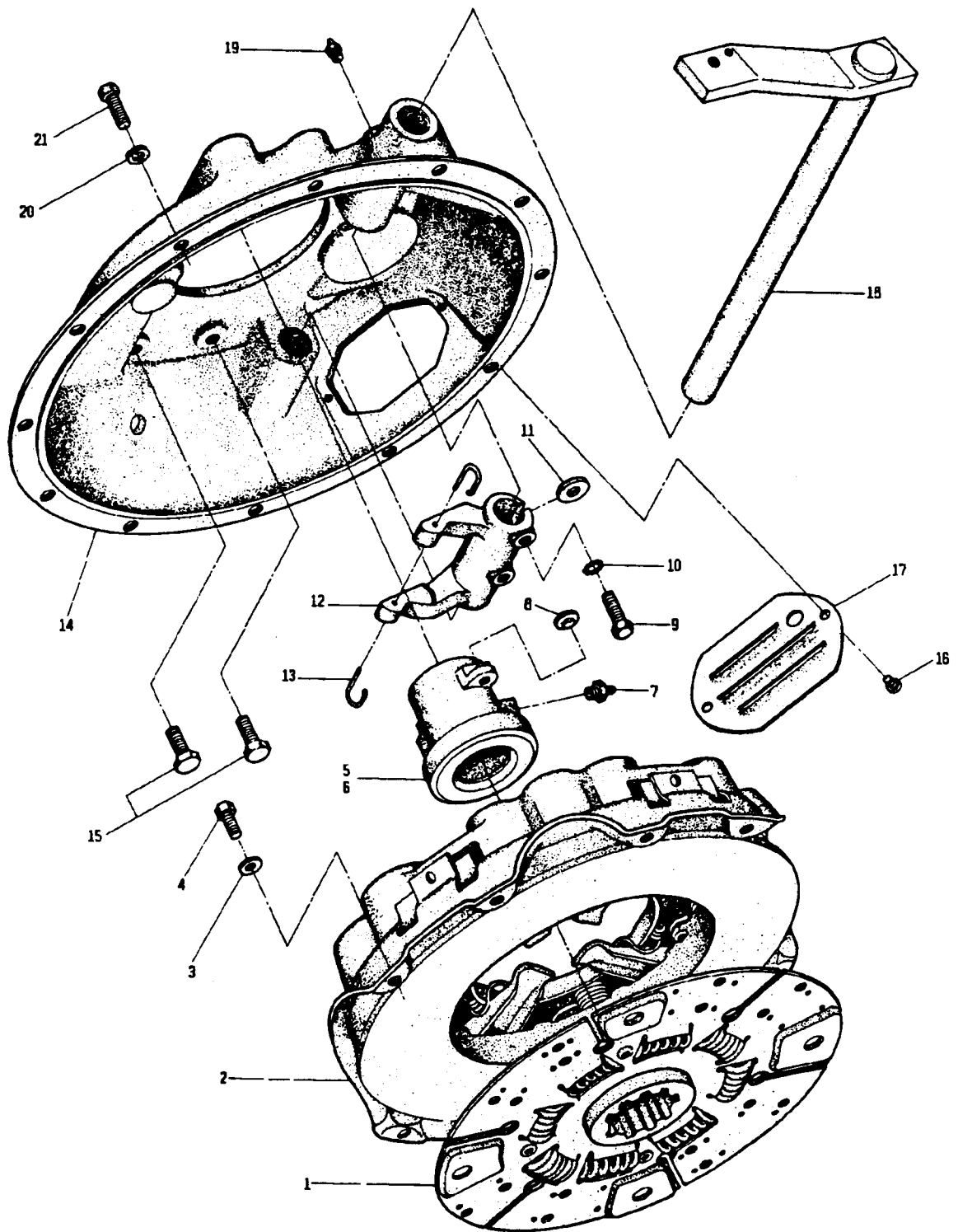
**New Process****Model Numbers:**

Bell Housing and Clutch  
 442 Transmission w/o Reverse Box  
 12" Clutch  
 208, 225, 230 Timberjack

REF	AFTERMARKET NO.	DESCRIPTION/COMMENT	QTY
1	1911407	Plate, Clutch - 12"	1
2	1721400	Cover, Clutch - 12"	1
3	4432901	Washer, Lock	6
4	3/8-16 UNCX1	Bolt - GR.8	6
5	1310108	Bearing and Sleeve Ass'y	1
6	1310109	Bearing, Release - Greaseable	1
7	2182900	Fitting, Grease	1
8	3202200	Pad	2
9	1172901	Capscrew	2
10	4432202	Washer, Lock	2
11	4452202	Washer, Key	2
12	2262200	Yoke	1
13	4212202	Spring	2
14	1552205	Housing, Bell	1
15	1172202	Bolt, Self-Locking	4
16	3892206	Screw and Lockwasher	2
17	1712207	Cover	1
18	2962201	Lever	1
19	2182900	Fitting, Grease	1
20	4430303	Washer, Lock - 3/8 G. M.	12
21	3/8-16 UNCX1	Bolt - G.M.	12

Manufacturers' names, part numbers and model numbers are for reference purposes only. We do not suggest or imply that any item is that of the original manufacturer. (c) 1992 Aftermarket Parts Inc.





## New Process Bell Housing and Clutch

441R, 442R Transmission  
 13" Clutch  
 240 Timberjack



## New Process

**Model Numbers:**

Bell Housing and Clutch  
 441R and 442R Transmission  
 13" Clutch  
 240 Timberjack

REF	AFTERMARKET NO.	DESCRIPTION/COMMENT	QTY
1	1911403	Plate, Clutch 13"	1
2	1721403	Cover, Clutch 13"	1
3	4432901	Washer, Lock	8
4	3/8-16 UNCX1	Bolt, GR.8	8
5	1310104	Bearing and Sleeve Ass'y - Old Style	1
6	1310108	Bearing and Sleeve Ass'y - New Style	1
	1310101	Bearing, Release - Greaseable - Old Style	1
	1310100	Bearing, Release - Non-Greaseable - Old Style	1
	1310109	Bearing, Release - Greaseable - New Style	1
7	2182900	Fitting, Grease	1
8	3202200	Pad	2
9	1172901	Capscrew	2
10	4432202	Washer, Lock	2
11	4452202	Washer, Key	2
12	2262200	Yoke	1
13	4212202	Spring	2
14	1552205	Housing, Bell	1
15	1172202	Bolt, Self-Locking	4
16	3892206	Screw and Lockwasher	2
17	1712207	Cover	1
18	2962201	Lever	1
19	2182900	Fitting, Grease	1
20	4430303	Washer, Lock - 3/8 G.M.	10
21	3/8-16 UNCX1	Bolt, G.M.	10

Manufacturers' names, part numbers and model numbers are for reference purposes only. We do not suggest or imply that any item is that of the original manufacturer. (c) 1992 Aftermarket Parts Inc.









## New Process

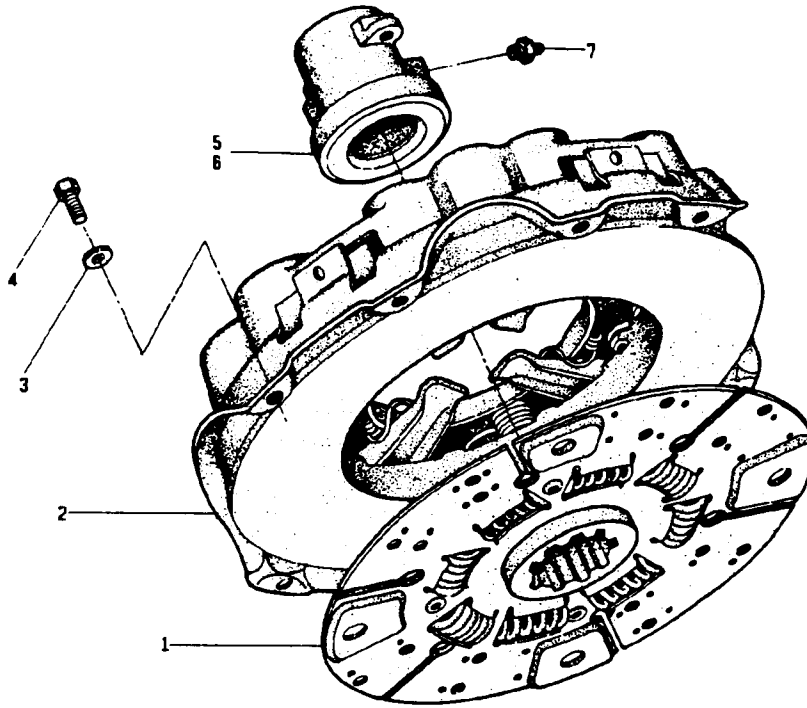
**Model Numbers:**

Bell Housing and Clutch  
 442 Transmission  
 13" Clutch  
 240 Timberjack

REF	AFTERMARKET NO.	DESCRIPTION/COMMENT	QTY
1	1911404	Plate, Clutch 13"	1
2	1721403	Cover, Clutch 13"	1
3	4432901	Washer, Lock	8
4	3/8-16UNCX1	Bolt, GR.8	8
5	1310110	Bearing and Sleeve Ass'y	1
6	1310109	Bearing, Release - Greaseable	1
7	2182900	Fitting, Grease	1
8	3202200	Pad	2
9	1172901	Capscrew	2
10	4432202	Washer, Lock	2
11	4452202	Washer, Key	2
12	2262200	Yoke	1
13	4212202	Spring	2
14	1552205	Housing, Bell	1
15	1172202	Bolt, Self-Locking	4
16	3892206	Screw and Lockwasher	2
17	1712207	Cover	1
18	2962201	Lever	1
19	2182900	Fitting, Grease	1
20	4430303	Washer, Lock - 3/8 G.M.	10
21	3/8-16UNCX1	Bolt, G.M.	10

Manufacturers' names, part numbers and model numbers are for reference purposes only. We do not suggest or imply that any item is that of the original manufacturer. (c) 1992 Aftermarket Parts Inc.





## Franklin Clutch

14" Clutch



Model Numbers:  
14" Clutch

REF	AFTERMARKET NO.	DESCRIPTION/COMMENT	QTY
1	1911406	Plate, Clutch	1
2	1721405	Cover, Clutch	1
3	4431000	Washer, Lock	12
4	3/8-16UNCX1	Bolt, GR.8	12
5	1310107	Bearing and Sleeve Ass'y	N/A
6	1310102	Bearing, Release - Greaseable	1
7	2182900	Fitting, Grease	1

Manufacturers' names, part numbers and model numbers are for reference purposes only. We do not suggest or imply that any item is that of the original manufacturer. (c) 1992 Aftermarket Parts Inc



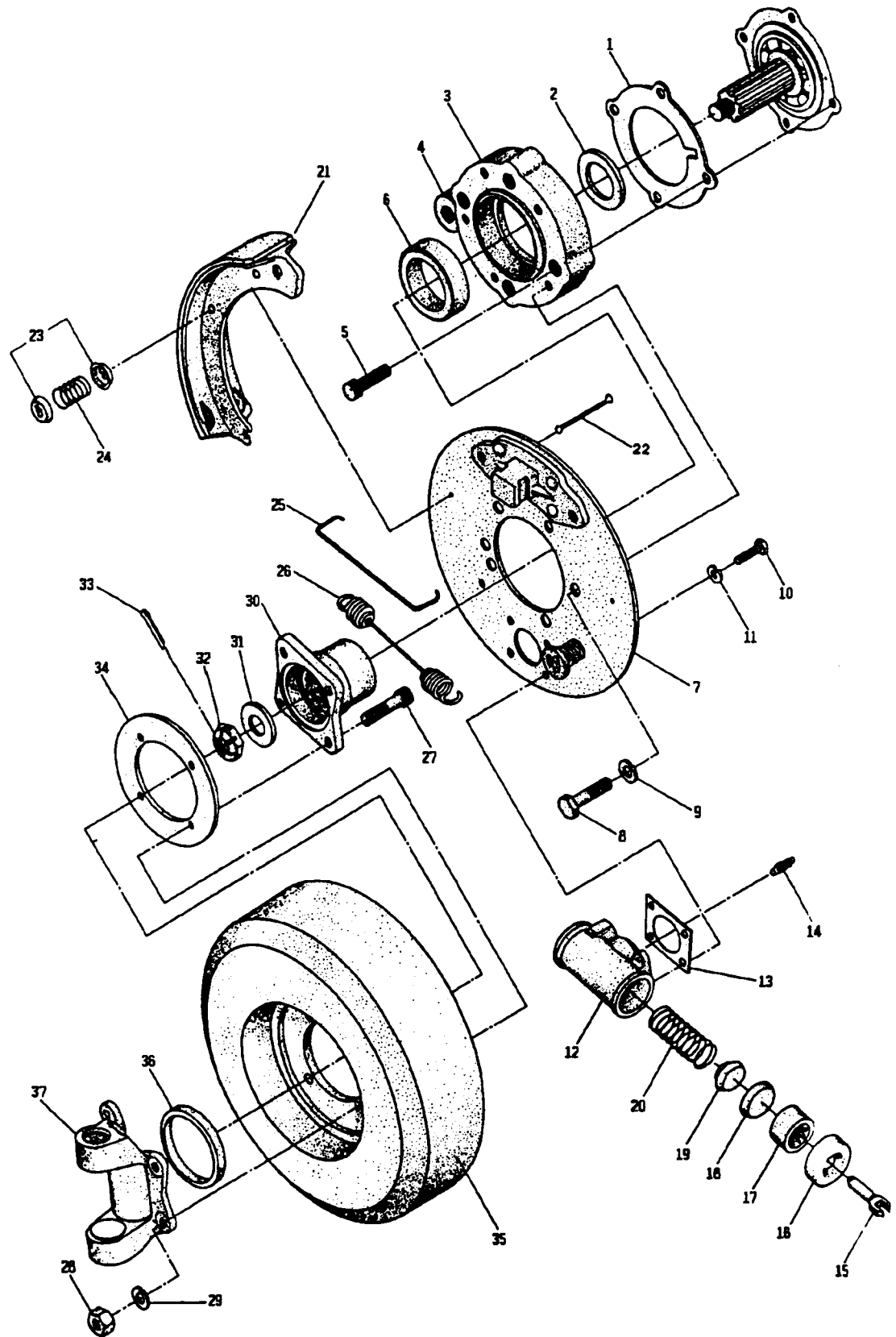
**BRAKE**

**ROCKWELL**

**MODEL NUMBER**

**PAGE NUMBER**

**PARKING BRAKE. . . . . 100**



<b>Rockwell Brake</b>	<b>PARKING BRAKE</b>
-----------------------	----------------------

Manufacturers' names, part numbers and model numbers are for reference purposes only. We do not suggest or imply that any item is that of the original manufacturer. © 1992 Aftermarket Parts Inc.



**Model Numbers:**  
Parking Brake

REF	AFTERMARKET NO.	DESCRIPTION/COMMENT	QTY
1	3972500	Seal and Gasket	1
2	4142903	Spacer	1
	2202900	Anchor Bracket Ass'y	1
3	3492501	Anchor Bracket	1
4	3372900	Pin	1
5	7/16 - 14UNCX1	Capscrew	4
6	3922110	Seal	1
	1412900	Front Brake Ass'y	1
7	3472500	Plate, Backing - Old Style - 7/16" Holes	1
	3472502	Plate, Backing - New Style - 1/2" Holes	1
8	1/2 - 13UNCX1 1/4	Bolt	5
9	4442905	Washer, Lock	5
10	1172903	Bolt	3
11	4432903	Washer, Lock	3
	1852500	Wheel Cylinder Ass'y	1
12		Cylinder	N/A
13	4142500	Spacer	1
14	3913300	Screw, Bleeder	1
15	3762500	Rod, Push	2
16	1183300	Boot	2
17	3413300	Piston	2
18	1793300	Cup	2
19	3523300	Filler	2
20	4213300	Spring	1
21	4092501	Shoe Ass'y	2
22	3792500	Rod, Anti-Rattle	2
23	3032506	Lock	4
24	4212502	Spring	2
25	4212500	Spring, Retaining	1
26	4212501	Spring, Return	1

Manufacturers' names, part numbers and model numbers are for reference purposes only. We do not suggest or imply that any item is that of the original manufacturer. (c) 1992 Aftermarket Parts Inc.

# Rockwell

REF	AFTERMARKET NO.	DESCRIPTION/COMMENT	QTY
27	4272902	Bolt	4
28	3112501	Nut	4
29	4432904	Washer, Lock	4
30	4542702	Flange, Companion	1
31	4442904	Washer, Flat	1
32	3112200	Nut	1
33	3372202	Pin, Cotter	1
34	2332500	Gasket	1
35	1972500	Drum, Brake	1
36	4112904	Sleeve, Adaptor	1
37	4542703	Yoke, Flange	1
	2912901	Kit, Cylinder (Items 16-20)	1
	2912900	Kit, Cylinder (Items 16 and 18)	1

Manufacturers' names, part numbers and model numbers are for reference purposes only. We do not suggest or imply that any item is that of the original manufacturer. (c) 1992 Aftermarket Parts Inc.

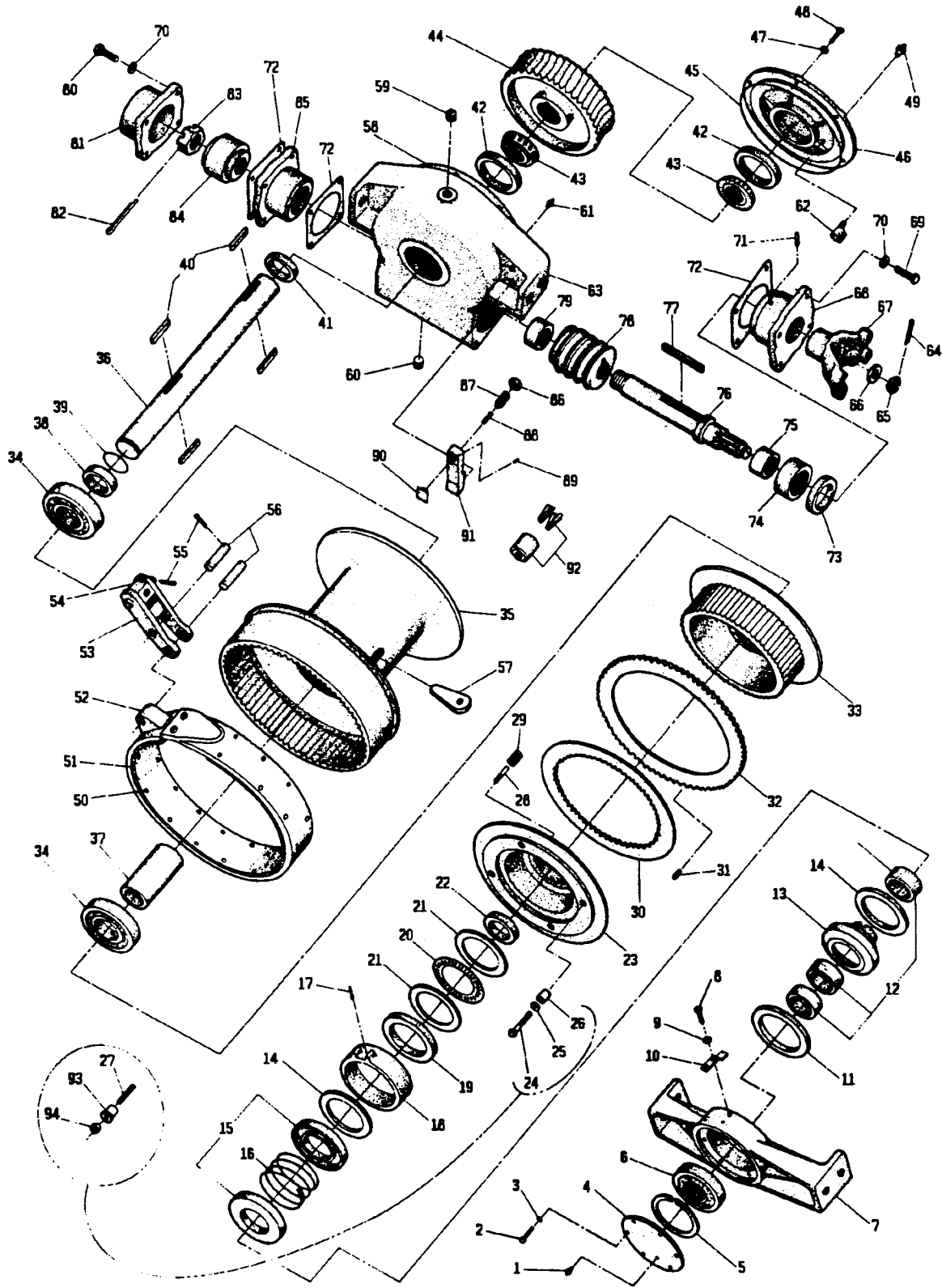
**WINCH**

**TIMBERJACK**

<b>MODEL NUMBER</b>	<b>PAGE NUMBER</b>
<b>SINGLE DRUM. . . . .</b>	<b>100</b>

**GEARMATIC**

<b>MODEL NUMBER</b>	<b>PAGE NUMBER</b>
<b>19. . . . .</b>	<b>300</b>
<b>119 . . . . .</b>	<b>300</b>



<b>Timberjack Winch</b>	<b>Single Drum</b>
-------------------------	--------------------

Manufacturers' names, part numbers and model numbers are for reference purposes only. We do not suggest or imply that any item is that of the original manufacturer. ©1992 Aftermarket Parts, Inc.





# Timberjack

**Model Numbers:**  
Single Drum

REF	AFTERMARKET NO.	DESCRIPTION/COMMENT	QTY
	4612901	Winch Ass'y - 200 Series	1
	4612900	Winch Ass'y - 350 and 380	1
1	2180700	Fitting, Grease	1
2	1172903	Bolt	6
3	4432903	Washer, Lock	6
4	1512902	Cap, Bearing Leg	1
5	3742901	Ring, Bearing Spacer	1
6	1240112	Bearing, Ball	1
7	1282900	Leg, Bearing	1
8	1172903	Bolt	2
9	4432903	Washer, Lock	2
10	3032900	Lock, Cylinder	1
11	3742902	Ring, Alignment	1
12	1432906	Bushing, Piston	3
13	3401800	Piston, Clutch	1
14	4452900	Washer	2
15	1792901	Cup, Piston	2
	2312900	Packing, Strip	1
16	4212905	Spring, Cup	1
17	3342902	Pin, Piston	1
18	1812900	Cylinder, Clutch	1
19	3922900	Ring, Felt	1
20	1300100	Bearing, Thrust	1
21	1300102	Race, Bearing	2
22	3922130	Seal, Pressure Plate	1
23	3442901	Plate, Clutch Pressure	1
	3442902	Kit, Clutch Plate	1
24	1172914	Bolt	4
25	4442905	Washer, Flat	4
26	1442902	Bushing, Support Stud	4

Manufacturers' names, part numbers and model numbers are for reference purposes only. We do not suggest or imply that any item is that of the original manufacturer. (c) 1992 Aftermarket Parts Inc.

# Timberjack

REF	AFTERMARKET NO.	DESCRIPTION/COMMENT	QTY
(26)	1442901	Bushing, Support Stud	4
27	4282901	Stud, Support - 1/2-20UNF By 3 1/4	4
	4282900	Stud, Support - 1/2-20UNF By 2 13/16	4
28	1172908	Stud, Spring	8
29	4212906	Spring, Stud	8
30	3442900	Plate, Drive	5
31	4212902	Spring	25
32	1912901	Plate, Clutch	5
33		Plate, Clutch Back-Up	N/A
34	1240139	Bearing, Drum	2
35	1962900	Drum	1
36	4032900	Shaft, Drum	1
37	4132902	Spacer, Bearing	1
38	4132903	Spacer, Bearing	1
39	3172913	O'Ring, Spacer	1
40	2812900	Key, Gear	4
41	3922129	Seal	1
42	1200106	Cup, Bearing	2
43	1220106	Cone, Bearing	2
44	2562900	Gear, Worm - L.H.	1
45	3172907	O'Ring	1
46	1512907	Cover, Worm Gear Housing	1
47	4432904	Washer, Lock	8
48	1172901	Capscrew	8
49	1422901	Vent, Air	1
50	3752900	Rivet	26
51	2982900	Lining, Brake	1
52	1052900	Brake Band Ass'y	1
53	3002901	Arm	2
54	1132900	Swivel	1
55	3372902	Pin, Cotter	6
56	3372905	Pin	2
57	2692900	Wedge	1
58	2312901	Gasket, Cover - 1/32	A/R
	2312902	Gasket, Cover - 1/64	A/R

Manufacturers' names, part numbers and model numbers are for reference purposes only. We do not suggest or imply that any item is that of the original manufacturer. (c) 1992 Aftermarket Parts Inc.

# Timberjack

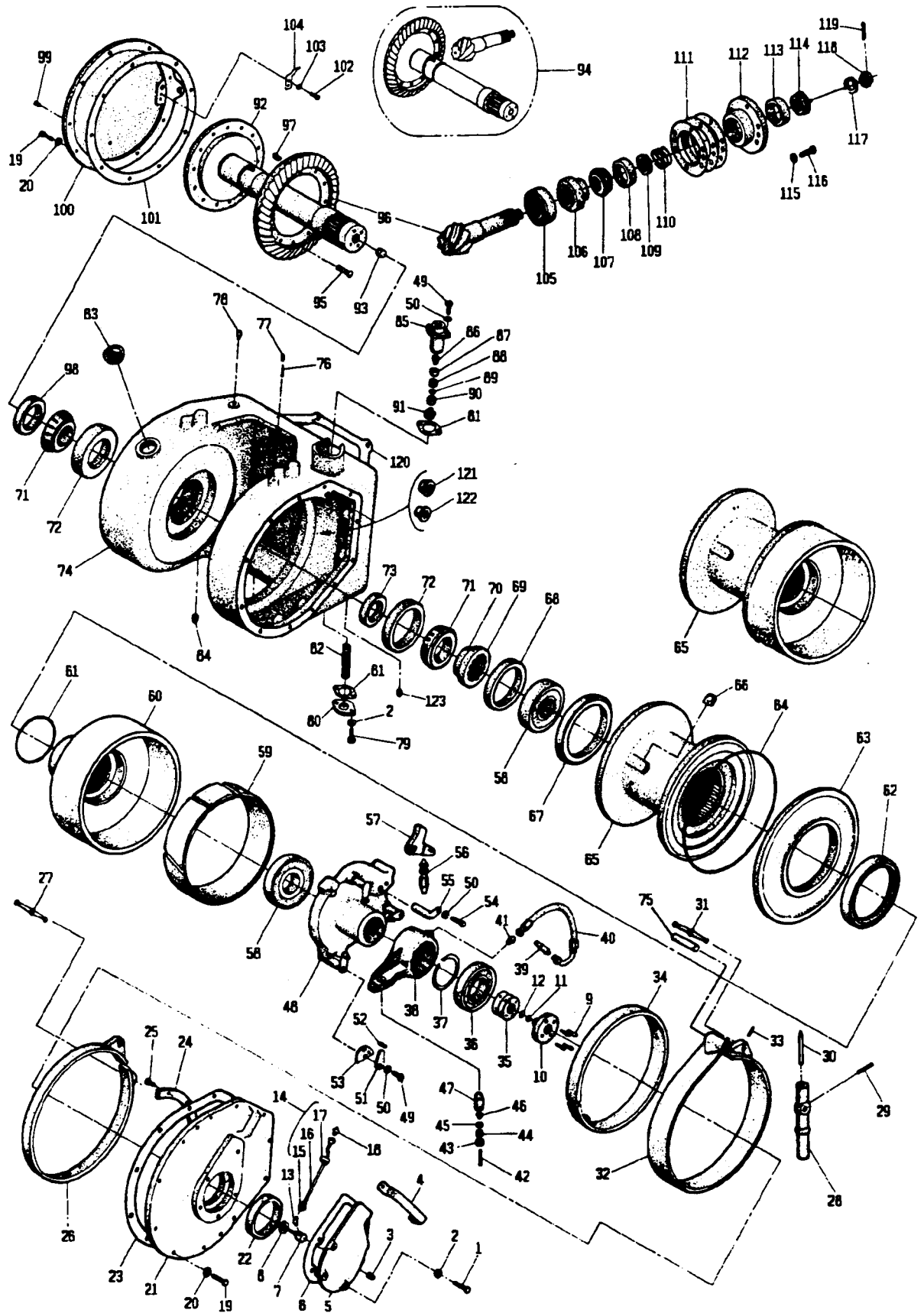
REF	AFTERMARKET NO.	DESCRIPTION/COMMENT	QTY
	2312903	Gasket, Cover - .006	A/R
59	3502905	Plug, Filler	1
60	3502903	Plug, Drain	1
61	3502904	Plug, Level	1
62	2052901	Elbow - 90 Degrees	1
63	1582900	Housing, Worm	1
64	3372903	Pin, Cotter	1
65	3112200	Nut	1
66	4442904	Washer, Flat	1
67	4482906	Yoke, End	1
68	4482705	Yoke, End	1
	3642900	Retainer, Beraing	1
69	1170708	Capscrew	4
70	4442905	Washer, Lock	8
71	3902900	Screw, Set	1
72	2322900	Gasket	3
73	3922126	Seal	1
74	1280107	Bearing, Roller	1
75	1300101	Race, Inner	1
76	4032901	Shaft and Nut, Worm	1
77	2812903	Key, Worm	1
78	2562901	Worm	1
79	4142905	Spacer, Worm	1
80	1172906	Capscrew	4
81	3642901	Cap, Bearing	1
82	3372904	Pin, Cotter	1
83	3112900	Nut, Slotted	1
84	1350100	Bearing	1
85	3642902	Retainer, Bearing	1
86	3132900	Nut, Jam	1
87	3882900	Screw, Drag Brake Adjusting	1
88	4212908	Spring	1
89	3342900	Pin	1
90	4092900	Shoe, Brake	1
91	3062904	Bracket	1

Manufacturers' names, part numbers and model numbers are for reference purposes only. We do not suggest or imply that any item is that of the original manufacturer. (c) 1992 Aftermarket Parts Inc.

# Timberjack

REF	AFTERMARKET NO.	DESCRIPTION/COMMENT	QTY
92	4262901	Ferrule, Spiral	1
	4262902	Ferrule, Spring	1
93	1442900	Bushing, Support Stud	4
94	3142907	Nut	4

Manufacturers' names, part numbers and model numbers are for reference purposes only. We do not suggest or imply that any item is that of the original manufacturer. (c) 1992 Aftermarket Parts Inc.



<b>Winch</b>	<b>Gearmatic 19 and 119</b>
--------------	-----------------------------



**Gearmatic**

**Model Numbers:**  
19 and 119

REF	AFTERMARKET NO.	DESCRIPTION/COMMENT	QTY
1	1171100	Capscrew	5
2	4432904	Washer, Lock	5
3	3502904	Plug, Level	1
4		Guard	N/U
5	1511103	Cap, End - 19 Only	1
	1511104	Cap, End - 119 Only	1
6	2311100	Gasket	1
7	4361100	Tube, Hydraulic	1
8	1240113	Bearing	2
9	1171101	Capscrew	4
10	1531100	Cap, Gland	1
11	1771100	U-Seal	1
12	3171100	O'Ring	1
13	2052910	Elbow	1
14	4361101	Tube Ass'y (Includes items 15,16 and 17)	1
15		Nut	2
16		Tube, Copper	1
17	3061100	Grommet	1
18	1672909	Adaptor	1
19	1170708	Capscrew	21
20	4442905	Washer, Lock	21
21	1721100	Cover, Clutch	1
22	3921100	Seal, Oil	1
23	2311102	Gasket	1
24	3741100	Ring, Guide	1
25	1171105	Capscrew	3
26	1051100	Band, Primary Brake	1
27	2951101	Lever, Brake	1
28	1101100	Block, Lever	1
29	3341101	Pin, Sel-Lok	1

Manufacturers' names, part numbers and model numbers are for reference purposes only. We do not suggest or imply that any item is that of the original manufacturer. (c) 1992 Aftermarket Parts Inc.

# Gearmatic

REF	AFTERMARKET NO.	DESCRIPTION/COMMENT	QTY
30	3761101	Rod, Push	1
31	2951101	Lever, Brake	1
32	1051101	Band, Secondary Brake	1
33	3341100	Pin, Sel-Lok	1
34	1061101	Band, Primary Clutch	1
35	4061100	Set, Shim	1
36	1240129	Bearing	1
37	3681100	Snapping	1
38	2971100	Lever, Clutch	1
	2731100	Kit, Clutch Hose	1
39	2192900	Fitting, Hydraulic	1
40		Hose	N/A
41	1672907	Connector	1
	1841100	Clutch Cylinder Ass'y	1
42	3761100	Rod, Push	1
43	1181101	Boot	1
44	3411102	Piston	1
45	1791101	U-Cup	1
46	4211100	Spring	1
47	1841101	Clutch Cylinder Housing - Only	1
48	2781100	Hub, Clutch	1
49	1172900	Capscrew	6
50	4430303	Washer, Lock	7
51	3441100	Plate, Lock	6
52	3341103	Pin, Sel-Lok	6
53	1491100	Cam, Adjusting	6
54	1171102	Capscrew	1
55	3371101	Pin, Pivot	1
56	3761104	Rod, Adjustable Push	1
57	2971101	Arm, Lever	1
58	1240130	Bearing	2
59	1061100	Band, Secondary Clutch	1
60	1971100	Drum, Brake - 19 Only	1
61	3172902	O'Ring - 19 Only	1
62	3921102	Seal, Oil - 19 Only	1

Manufacturers' names, part numbers and model numbers are for reference purposes only. We do not suggest or imply that any item is that of the original manufacturer. (c) 1992 Aftermarket Parts Inc.



# Gearmatic

REF	AFTERMARKET NO.	DESCRIPTION/COMMENT	QTY
63	1621100	Housing, Oil Seal - 19 Only	1
64	3171101	O'Ring - 19 Only	1
65	1961100	Drum, Cable - 119 Only	1
	1961101	Drum, Cable - 19 Only	1
66	2691100	Hondu	1
67	3922120	Seal, Oil	1
68	3921101	Seal, Oil	1
69	3161101	Nut, Lock	1
70	3171103	O'Ring	1
71	1220114	Cone, Bearing	1
72	1220176	Cup, Bearing	1
73	4141101	Spacer - Specify Length - .591 to .625	A/R
74	1581100	Housing - 19 Only	1
	1581101	Housing - 119 Only	1
75	3301100	Pin, Anchor	1
76	4211105	Spring	1
77	3901100	Screw, Set	1
78	1422900	Vent	1
79	1171103	Capscrew	2
80	1511101	Cap, Spring - 19 Only	1
	1511102	Cap, Spring - 119 Only	1
81	2311104	Gasket	2
82	4211101	Spring, Brake	1
83	3521100	Plug, Barrel	1
84	3521101	Plug, Barrel	1
	1851101	Brake Cylinder Ass'y	1
85	1851100	Cylinder, Brake	1
86	4211100	Spring	1
87	1791100	U-Cup	1
88	3411101	Piston, Primary	1
89	4211102	Spring	1
90	3411100	Piston	1
91	1181100	Boot	1
92	4031101	Drum Shaft Ass'y	1
93	1771102	Retainer, Cup	1

Manufacturers' names, part numbers and model numbers are for reference purposes only. We do not suggest or imply that any item is that of the original manufacturer. (c) 1992 Aftermarket Parts Inc.



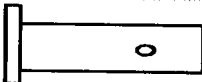
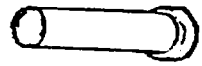
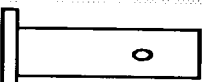
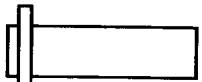
# Gearmatic

REF	AFTERMARKET NO.	DESCRIPTION/COMMENT	QTY
94	2561100	Gear and Pinion Ass'y	1
95	3751100	Rivet	16
96	2561101	Gear and Pinion Ass'y	1
97	2811100	Key, Lock	1
98	4141100	Spacer	1
99	3502903	Plug, Pipe	1
100	1761100	Cover, Gear	1
101	2311106	Gasket	1
102	1171104	Bolt	2
103	4432903	Washer, Lock	2
104	3971100	Wiper, Oil	1
105	1260107	Bearing	1
106	4111100	Sleeve, Spacer	1
	1621101	Housing, Bearing	1
107	1220123	Cone, Bearing	1
108	1201100	Cup, Bearing	1
109	4131100	Spacer, Bearing	1
110	4061101	Set, Shim	1
111	4061102	Set, Shim	1
112	1621102	Bearing Housing Ass'y	1
113	1200123	Cup, Bearing	1
114	1220181	Cone, Bearing	1
115	4431100	Washer, Lock	1
116	1171100	Bolt	6
117	4451103	Washer	6
118	3111100	Nut	1
119	3371102	Pin, Cotter	1
120	2311110	Gasket	1
121	3521102	Plug, Lever - Secondary	1
122	3521103	Plug, Lever - Primary	1
123	3501100	Plug, Pipe - 19 Only	1
	2851101	Kit, Packing Clutch Cylinder	A/R
	2851102	Kit, Packing Brake Cylinder	A/R

Manufacturers' names, part numbers and model numbers are for reference purposes only. We do not suggest or imply that any item is that of the original manufacturer. (c) 1992 Aftermarket Parts Inc.



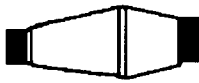
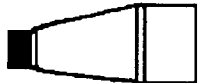


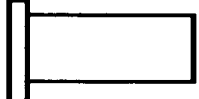
## RANGER PIN CHART

PART NUMBER	OVERALL LENGTH	DIAMETER	LOCKING DEVICE	USED WHERE	MACHINE TYPE	ODDITIES	ALT PART NUMBERS & DRAWINGS
1903262	5.1/2 overall	2 in.	3/8 bolt or spiral pin hole	grapple pin boom pin	666B F66, F667D	recessed grease fitting hole	
1915205	5.1/8	1.3/4	1/2 bolt or spiral pin hole	center section, steer cylinder pin cradle & center	664 666B, C	blade	1900158 
1915214	5.3/8 overall 5.1/16 under head	1.5/8	9/16 bolt or spiral pin hole	center pin	666B, C		
1919897	5.3/8 overall 4.7/8 under head	1.5/8	4 holes in head 2 threaded & 2 are not.	cradle	666B	"D" shaped head	
1920461	5.11/16 overall 5.3/16 under head	1.3/4	bolted in frame	cradle blade pin	666C F66 & F667	"D" shaped head with 4 holes. 2 threaded and 2 are not.	
1923916	6.1/4 overall 5.3/8 under head	2 in.	8 holes in head. 2 are threaded & 6 are not.	center section & cradle	666D, F66, 667D & F667	3 holes in end of pin for plates	

MANUFACTURERS' NAMES, PART NUMBERS AND MODEL NUMBERS ARE FOR REFERENCE PURPOSES ONLY.  
WE DO NOT SUGGEST OR IMPLY THAT ANY ITEM IS THAT OF THE ORIGINAL MANUFACTURER. © 1996 AFTERMARKET PARTS, INC.



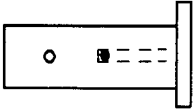
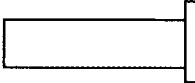


### RANGER PIN CHART

PART NUMBER	OVERALL LENGTH	DIAMETER	LOCKING DEVICE	USED WHERE	MACHINE TYPE	ODDITIES	ALT PART NUMBERS & DRAWING
1933002	8.3 tapered on both ends	thickest spot is 2.1/2 down to 1.9 on one end & 1.4 on other	1.1/4 - 12 NF on one end. 1.9/16 - 20 on other.	center section & cradle	665D	tapered both sides different threads on both ends.	
1933003	approx. 7.4 long tapered one end down to threads	2.1/2 at thickest spot thread end is 1.385 & other is 2.1/4	1.1/4 -12 NF nut on one end	center section & cradle	665D	tapered on one end	
1935452	6.3/4 + 1/16	2 on body of pin nut end 1.1/4	Locknut CLK P/N 1935436	grapple snubber clark grapple	Clark Skidder with Clark grapple		
1937947	6.40	1.3/4 on body of pin 1.1.4 on nut end	Locknut CLK P/N 1935436	grapple snubber clark grapple	Clark Skidder with Clark grapple	Length of threads approx 1.1/4	
12574706	4.1/4 overall	1.3/4	bolt & spacer	cylinder pins	666D, F66, 667D & F667	tear drop mounted old # 1929380	1929380 

MANUFACTURERS' NAMES, PART NUMBERS AND MODEL NUMBERS ARE FOR REFERENCE PURPOSES ONLY.  
 WE DO NOT SUGGEST OR IMPLY THAT ANY ITEM IS THAT OF THE ORIGINAL MANUFACTURER. © 1996 AFTERMARKET PARTS, INC.






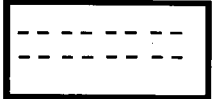
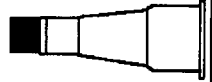
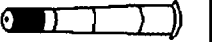
### ESCO PIN CHART

PART NUMBER	OVERALL LENGTH	DIAMETER	LOCKING DEVICE	USED WHERE	MACHINE TYPE	ODDITIES	ALT PART NUMBERS & DRAWINGS
418913	4.3/8 overall 4 in. under head	1.1/2	3/8 bolt or sprial pin hole	Esco grapple cylinder	82 in. or 100 in. grapples	recessed grease fitting hole	4010460 
421586	4.3/8 long counting head	1.3/6				recessed grease fitting hole	4015664 
435308	12.1/2 overall	2 in.	2 types 425710 is castellated nut 435503 acorn	Esco grapple snubber	82 in., 100 in. & 104 in. grapples	uses 422527 lock pin (3/4)	425827 
435633	4.7/8 long	2 in.	ours is banjo lock 1/2 in. size	Esco grapple cylinder	100 in. & 104 in. grapples	uses banjo lock	435280  435963,435628, 4060872,435632

MANUFACTURERS' NAMES, PART NUMBERS AND MODEL NUMBERS ARE FOR REFERENCE PURPOSES ONLY.  
WE DO NOT SUGGEST OR IMPLY THAT ANY ITEM IS THAT OF THE ORIGINAL MANUFACTURER. © 1996 AFTERMARKET PARTS, INC.



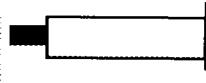
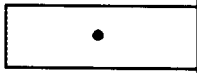
### TREE FARMER PIN CHART

PART NUMBER	OVERALL LENGTH	DIAMETER	LOCKING DEVICE	USED WHERE	MACHINE TYPE	ODDITIES	ALT PART NUMBERS & DRAWINGS
11632	4.1/4 overall 3.7/8 under head	1.1/2	1.1/4 nylon locknut	center section	C4C C4D C5D	grease fitting in threaded end	
11834	9.7/8 overall 9.3/8 under head	1.11/16 down to 1.7/8	1.1/2 nylon locknut	cradle	C4D, C5D	"D" shaped head	
11835	11.15/16 overall 11.3/16 under head	2 in. down to 1.7/8	1.1/2 nylon locknut	cradle	C4D, C5D	1.3/4 threaded length grease hole in threaded end	
18673	2.3/4 in.	1.1/2 in		steering cylinder	all	5/8 hole full length of pin	
73687	9.1/4 overall	2.1/4 at head end to 1.1/2 thread end	1/2 NF locknut	center section	C6D	center portion of pin is tapered	
70388	6.7/16 overall	1.9/16 under head to 1.1/4 thread	1.1/4 locknut	center section top & bottom	C4D, C5D	pin is tapered "D" shaped head	

MANUFACTURERS' NAMES, PART NUMBERS AND MODEL NUMBERS ARE FOR REFERENCE PURPOSES ONLY.  
WE DO NOT SUGGEST OR IMPLY THAT ANY ITEM IS THAT OF THE ORIGINAL MANUFACTURER. © 1996 AFTERMARKET PARTS, INC.



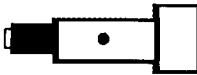
## JOHN DEERE PIN CHART

PART NUMBER	OVERALL LENGTH	DIAMETER	LOCKING DEVICE	USED WHERE	MACHINE TYPE	ODDITIES	ALT PART NUMBERS & DRAWINGS
AT 42789	7.1/4 overall 6.5/8 under head 1.1/4 thread	1.3/8		top center pin	640 Skidder & grapple 440C 540B	lock bar on head	 AT83003
AT 113989	5.3/8 overall 5 in. under head	2 in.	5/8 in. bolt	bottom center pin	640 Skidder & grapple 440C 540B	head of pin is 4.3/4 long with lock hole on end	 AT83055 AT42790

MANUFACTURERS' NAMES, PART NUMBERS AND MODEL NUMBERS ARE FOR REFERENCE PURPOSES ONLY.  
 WE DO NOT SUGGEST OR IMPLY THAT ANY ITEM IS THAT OF THE ORIGINAL MANUFACTURER. © 1996 AFTERMARKET PARTS, INC.



### FRANKLIN PIN CHART

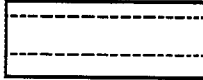
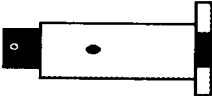
PART NUMBER	OVERALL LENGTH	DIAMETER	LOCKING DEVICE	USED WHERE	MACHINE TYPE	ODDITIES	ALT PART NUMBERS & DRAWINGS
1004561	7.7/8 total	3 tier 3 in. to 2.1/2 to 2 in. threads	2 in. locknut	center section	Franklin need s/n	head has a slot in it	

MANUFACTURERS' NAMES, PART NUMBERS AND MODEL NUMBERS ARE FOR REFERENCE PURPOSES ONLY.  
 WE DO NOT SUGGEST OR IMPLY THAT ANY ITEM IS THAT OF THE ORIGINAL MANUFACTURER. © 1996 AFTERMARKET PARTS, INC.






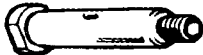

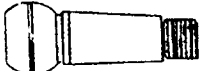


### TREE FARMER PIN CHART

PART NUMBER	OVERALLL LENGTH	DIAMETER	LOCKING DEVICE	USED WHERE	MACHINE TYPE	ODDITIES	ALT PART NUMBERS & DRAWINGS
18658	3.3/8	1.3/4		hinge or center section	C6D C7D	7/8 hole full length of pin	
47368	5.3/4 overall 5.3/8 underhead	1.3/4	TRE 18956 Nut	walking beam or cradle	C6D C7D	"D" shaped head grease fitting in head	

MANUFACTURERS' NAMES, PART NUMBERS AND MODEL NUMBERS ARE FOR REFERENCE PURPOSES ONLY.  
 WE DO NOT SUGGEST OR IMPLY THAT ANY ITEM IS THAT OF THE ORIGINAL MANUFACTURER. © 1996 AFTERMARKET PARTS, INC.

**TIMBERJACK PIN CHART**






PART NUMBER	OVERALL LENGTH	DIAMETER	LOCKING DEVICE	USED WHERE	MACHINE TYPE	ODDITIES	ALT PART NUMBERS & DRAWINGS
200067	5.1/8 with grease hole in middle & fitting	1.5/8 with slight chamfer on both ends.	3/8 x 3 in. spiral pin.	dozer cylinder & dozer blade	Timberjack 208, 225, 230 & 240	not hardened	
227023	5.1/8 with grease hole & puller hole	1.3/4 with slight chamber on both ends.	3/8 x 3.1/2 spiral pin	steer cylinders both ends	Timberjack 208, 225, 230, 240, older 350, 380 & 450	hardened with grind finish.	can use in place of 254824  218392, 500247
227751	6.5/16 counting head 5.13/16 without head	1.3/4 with nut end smaller	1.3/8 x 12 locknut (stover)	center section & cradle	Timberjack 208, 225, 230 & 240	head of pin flat on 2 sides	replaces 200322  224486, 224535, 226904
239805	6.3/4 counting head 6.1/8 without head	2 in. with nut end smaller	1.3/8 x 12 locknut (stover)	center section & cradle	Timberjack 208, 225, 230, 240 "E" models	head of pin flat on 2 sides	
254824	5.1/8 long	1.3/4	3/8 hole in both ends	steer cylinder	Timberjack 380 & 450 (Prior to 1990)	can use in place of 227023	 229308, 226230
256670	7.25 in. total 1.1/2 of threads	3.175 at middle of ball Tapered to 1.3/4	1.3/4 - 12 GR.C locknut (stover)	center section & cradle	All Timberjacks 350, 380 & 450 (Prior to 1990)	ice cream cone shaped & tapered from threads to ball	229292 

MANUFACTURERS' NAMES, PART NUMBERS AND MODEL NUMBERS ARE FOR REFERENCE PURPOSES ONLY.

WE DO NOT SUGGEST OR IMPLY THAT ANY ITEM IS THAT OF THE ORIGINAL MANUFACTURER. © 1996 AFTERMARKET PARTS, INC.



## HYDRO-AX PIN CHART

PART NUMBER	OVERALL LENGTH	DIAMETER	LOCKING DEVICE	USED WHERE	MACHINE TYPE	ODDITIES	ALT PART NUMBERS & DRAWINGS
8050026	8 in. overall	2 sizes 2.1/2 to 2.1/4	bolts into frame retainer	center section top	All Hydro Ax's (except "E" model)	head is welded on after pin is installed	 1020-073
8050027	7 in. with approx. 1.1/2 threads	2.1/4 on body of pin with threads 1.1/2 - 12 NF	1.1/2 NF locknut	center section bottom	All Hydro Ax's (except "E" model)	has washer under welded head	 1020-074
8051164	9.1/2 overall 8.1/8 under washer	1.1/2	uses 1.1/4 nylon locknut	tilt cyl — lift cyl tilt cyl link arm	311 B — 411B & 411B II	no grease fitting holes in new style	*check serial # 
8051349	6.1/2 overall 5.5/8 under head	1.1/2	uses 1.1/4 nylon locknut	lift cyl — lift cyl	311B — 411B & 411B II	no grease fitting holes in new style	*check serial # 
8381472	20.5/8 overall 19.3/8 under head	3 in.	uses 1.1/2 nylon locknut	holds on jaws of 20 in. shear head	Hydro Ax with 20 in shear head	"D" shaped head	

MANUFACTURERS' NAMES, PART NUMBERS AND MODEL NUMBERS ARE FOR REFERENCE PURPOSES ONLY.  
 WE DO NOT SUGGEST OR IMPLY THAT ANY ITEM IS THAT OF THE ORIGINAL MANUFACTURER. © 1996 AFTERMARKET PARTS, INC.

**FRAME**

**RANGER**

MODEL NUMBER	PAGE NUMBER	MODEL NUMBER	PAGE NUMBER
664 GM. . . . .	100,150,450	667 CUM . . . . .	250,300,400
664 GM GR . . . . .	100,150,450	667 CUM GR. . . . .	250,400
666 GM. . . . .	100,150,400	667 GM FWD. . . . .	350
666 GM GR . . . . .	100,150,400	667 CUM FWD . . . . .	350
666 CUM . . . . .	100,150,400	666 CUM GR. . . . .	400
666 GR. . . . .	100,150	664 DEUTZ . . . . .	450
668 GM. . . . .	200	664 CUM. . . . .	450
667 GM. . . . .	250,300,400	665 GM . . . . .	450
667 GM GR . . . . .	250,400	665 GM GR . . . . .	450

**TIMBERJACK**

208 GS. . . . .	900,960	230 GSE 5T . . . . .	960
208 TS. . . . .	900,960	230 GSE 8T . . . . .	960
225 TS. . . . .	900,960	230 GSEXM. . . . .	960
230 GS. . . . .	900	240 GS . . . . .	960
230 TS. . . . .	900	240 GSA. . . . .	960
230 GSG . . . . .	900	240 GSE. . . . .	960
230 GSMJ. . . . .	900	240 GSAE . . . . .	960
230 GSPJ. . . . .	900	240 GSDD . . . . .	960
230 TSPJ. . . . .	900	240 GSGE . . . . .	960
225 TS. . . . .	960	240 GAEAN. . . . .	960
225 GSE . . . . .	960	208 GSREX. . . . .	1000
225 TSE . . . . .	960	208 TSREX. . . . .	1000
225 GSDD. . . . .	960	225 GSREB. . . . .	1000
225 TSDD. . . . .	960	225 GSRDD. . . . .	1000
225 GS. . . . .	960	225 TSRDD. . . . .	1000
225 TS. . . . .	960	225 ASREX. . . . .	1000
230 GSE . . . . .	960	225 GSEDD. . . . .	1000,1100
230 TSE . . . . .	960	225 ASEEX. . . . .	1000,1100
230 GSDD. . . . .	960	230 GAEEB. . . . .	1000
230 TSDD. . . . .	960	230 GAEEN. . . . .	1000
230 GSPJ. . . . .	960	230 GSEEW. . . . .	1000
230 TSPJ. . . . .	960	230 GSEEX. . . . .	1000
230 GPE . . . . .	960	230 ASEAX. . . . .	1000
230 DESEX. . . . .	960	230 DSEEX. . . . .	1000,1100
230 DESEX. . . . .	960	230 DSREX. . . . .	1000
230 GS5T. . . . .	960	240 GSEAN. . . . .	1000
230 GS8T. . . . .	960	240 GSEEB. . . . .	1000,1100

Manufacturers' names, part numbers and model numbers are for reference purposes only. We do not suggest or imply that any item is that of the original manufacturer. (c) 1996 Aftermarket Parts, Inc.

**TIMBERJACK**

<b>MODEL NUMBER</b>	<b>PAGE NUMBER</b>	<b>MODEL NUMBER</b>	<b>PAGE NUMBER</b>
240 GSEEW. . . . .	1000	380 . . . . .	1150
240 GAEAN. . . . .	1000	380 SL. . . . .	1150
240 GAEEB. . . . .	1000	450 . . . . .	1150
240 TSEEW. . . . .	1000	480 . . . . .	1150
240 GSEAX. . . . .	1000,1100		
240 ASEAX. . . . .	1000,1100		
240 HSEAX. . . . .	1000		
240 GSEEX. . . . .	1000,1100		
240 DSEAX. . . . .	1000,1100		
240 DSEQP. . . . .	1000,1100		
225 GSEEX. . . . .	1100		
240 DPEQP. . . . .	1100		
350 APEAX. . . . .	1050,1100		
350 APEEX. . . . .	1050,1100		
350 HPEAX. . . . .	1050,1100		
350 HPEEX. . . . .	1050,1100		
350 HPEQP. . . . .	1050,1100		
380 DPEAX. . . . .	1050,1100		
380 DPECG. . . . .	1050,1100		
380 DPESG. . . . .	1050,1100		
380 DPESP. . . . .	1050,1100		
380 DPRSG. . . . .	1050,1100		
380 DPRSP. . . . .	1050,1100		
380 GPEAX. . . . .	1050		
380 GPEEG. . . . .	1050,1100		
380 GPEFG. . . . .	1050,1100		
380 GPEQP. . . . .	1050,1100		
380 GPERP. . . . .	1050,1100		
450 DPEAX. . . . .	1050		
450 HPEAX. . . . .	1050		
450 HPECG. . . . .	1050		
450 HPESG. . . . .	1050		
450 HPESP. . . . .	1050		
480 DPKBG. . . . .	1050		
520 GPCKC. . . . .	1050		
520 GPCKL. . . . .	1050		
520 GPRBG. . . . .	1050		
520 GPKTX. . . . .	1050		
230 F. . . . .	1150		

Manufacturers' names, part numbers and model numbers are for reference purposes only. We do not suggest or imply that any item is that of the original manufacturer. (c) 1996 Aftermarket Parts, Inc.

**CONTENTS****SECTION 8****TREE FARMER**

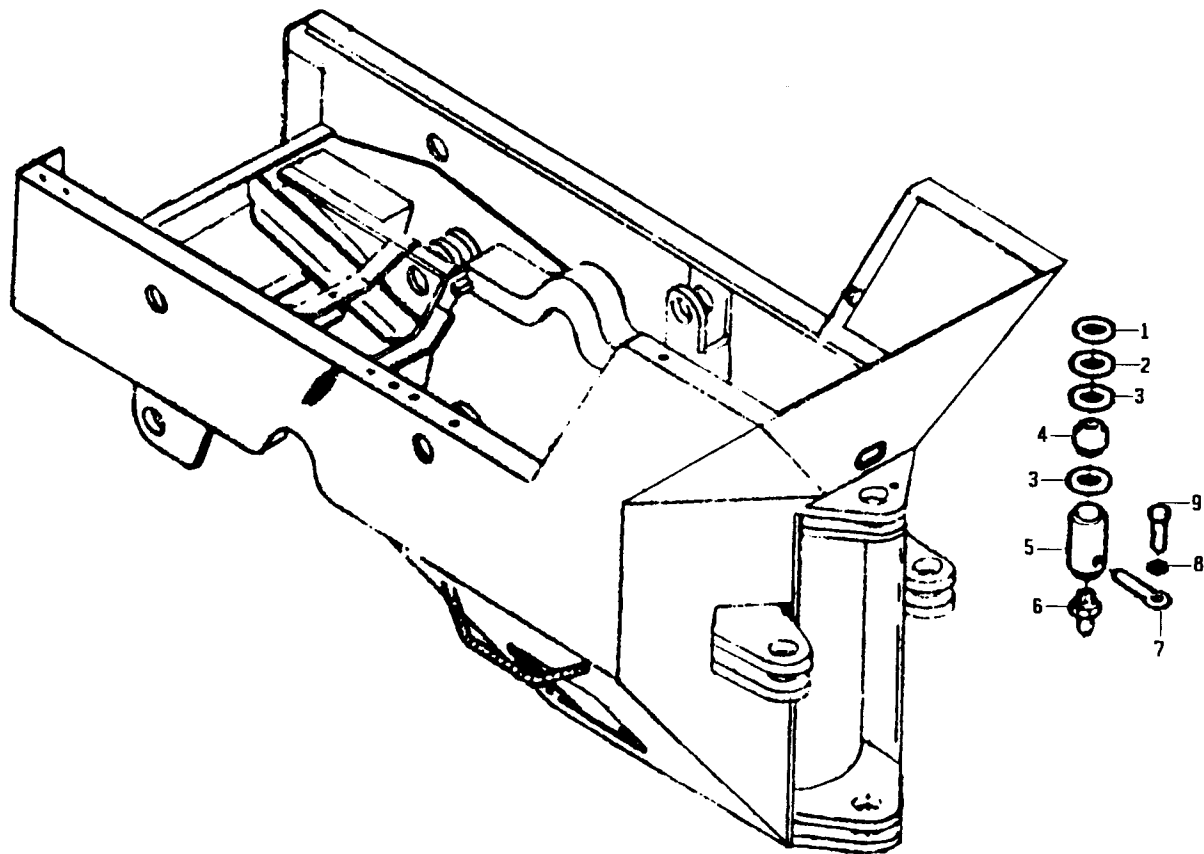
<b>MODEL NUMBER</b>	<b>PAGE NUMBER</b>	<b>MODEL NUMBER</b>	<b>PAGE NUMBER</b>
C40. . . . .	1600,1650		
C50. . . . .	1600,1650		
C6D. . . . .	1700,1750,1850		
C7D. . . . .	1700,1800,1850		
C8A. . . . .	1700		
FB67 . . . . .	1750,1850		
C7T. . . . .	1800,1850		
CBC. . . . .	1850		

**HYDRO AX**

411. . . . .	2000
511. . . . .	2000
611. . . . .	2000

Manufacturers' names, part numbers and model numbers are for reference purposes only. We do not suggest or imply that any item is that of the original manufacturer. (c) 1996 Aftermarket Parts, Inc.





**Ranger Hinge Pin**

664 GM	666 GR
664 GM GR	
666 GM	
666 GM GR	
666 CUM	





## Ranger Hinge Pin

**Model Numbers:**

664 GM	666 GM GR
664 GM GR	666 CUM
666 GM	666 GR

REF	AFTERMARKET NO.	DESCRIPTION/COMMENT	QTY
1	4060303	Shim	A/R
2	4420302	Washer, Thrust - use 4422901	A/R
3	4420303	Washer, Thrust - use 4422900	4
4	1451302	Bushing, Self Aligning 1.3/4" I.D.	2
5	3230300	Pin, Hinge - Upper	1
	3230301	Pin, Hinge - Lower	1
6	2182900	Fitting, Grease	2
7	3030302	Lockpin	2
8		Lockwasher	2
9		Bolt	2

Note: 664 GM Serial Number C9044-101 thru C9044-9999, 514E-101 thru 514F-9999 CAC.

664 GM GR Serial Number 508A-101 thru 508A-9999 CAC, 508B-101 thru 508C-9999 CAC.

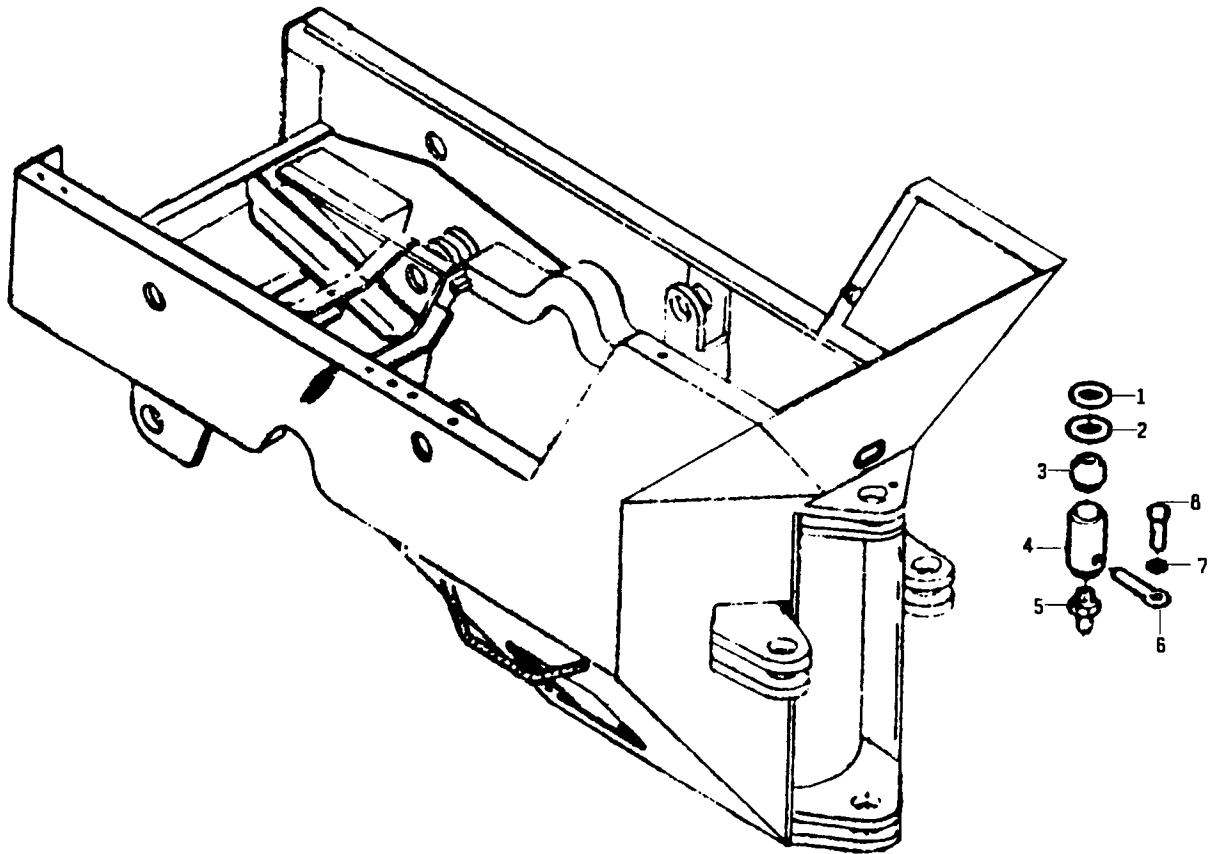
666 GM Serial Number C9046-101 thru C9046-9999, 513E101 thru 513G-9999 CAC.

666 GM GR Serial Number 515A-101 thru 515G-9999 CAC.

666 CUM Serial Number 500D-101 thru 500D-9999, CAC 500E-101 thru 500G-9999 CAC.

Manufacturers' names, part numbers and model numbers are for reference purposes only. We do not suggest or imply that any item is that of the original manufacturer. (c) 1996 Aftermarket Parts Inc.





**Ranger Hinge Pin**

664 GM	666 GR
664 GM GR	
666 GM	
666 GM GR	
666 CUM	



## Ranger Hinge Pin

**Model Numbers:**

664 GM	666 GM GR
664 GM GR	666 CUM
666 GM	666 GR

REF	AFTERMARKET NO.	DESCRIPTION/COMMENT	QTY
1	4060303	Shim	A/R
2	4420302	Washer, Thrust - use 4422901 Washer, Thrust (Not used this model)	4 N/U
3	1451302	Bushing, Self Aligning 1.3/4" I.D.	2
4	3230300	Pin, Hinge	2
5	2182900	Fitting, Grease	2
6	3030302	Lockpin	2
7		Lockwasher	2
8		Bolt	2

Note: 664 GM Serial Number 514H-101 thru 514-9999 CAC, 546H-101 CAC and up.

664 GMGR Serial Number 508H-101 thru 508H-9999 CAC.

666 GM Serial Number 513H-101 thru 513H-9999 CAC.

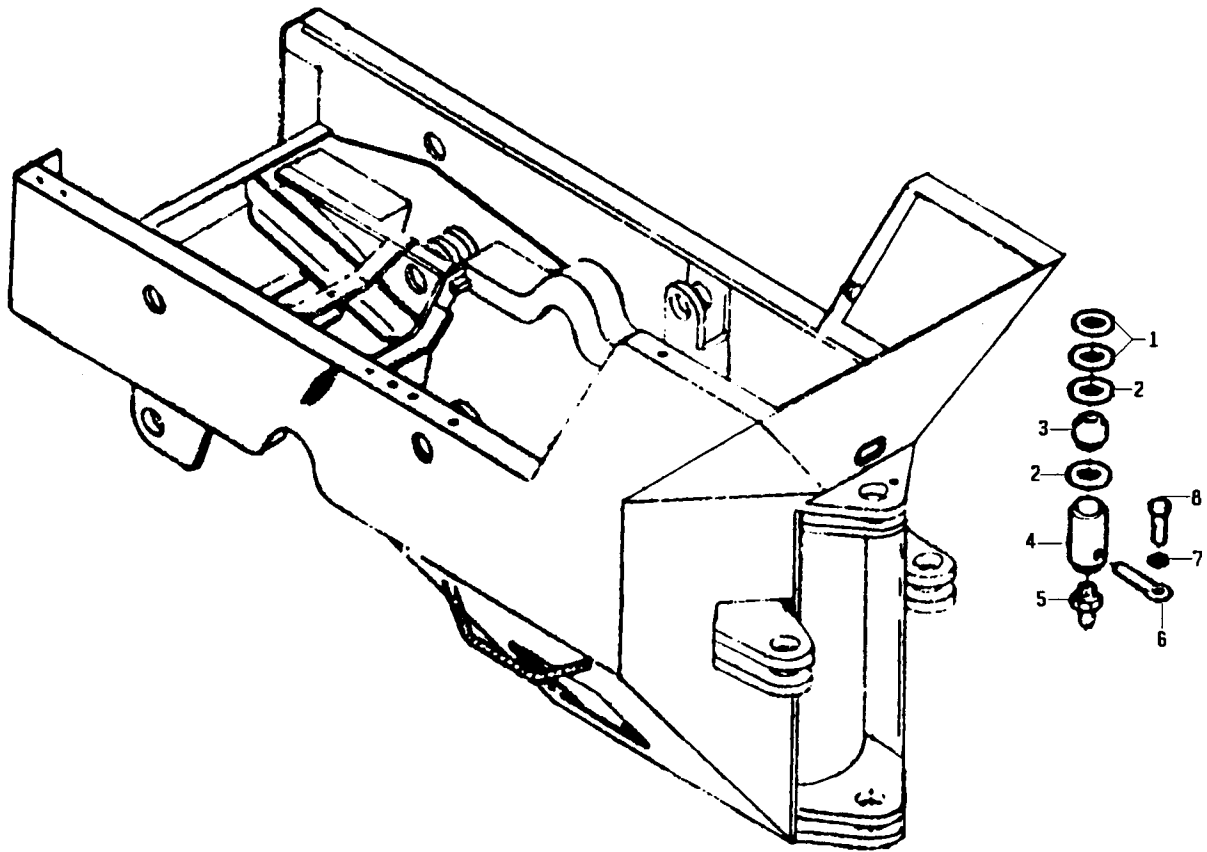
666 GMGR Serial Number 515H-101 thru 515H-9999 CAC.

666 CUM Serial Number 500H-101 thru 500H-9999 CAC.

666 GR Serial Number 542H-101 CAC and up.

Manufacturers' names, part numbers and model numbers are for reference purposes only. We do not suggest or imply that any item is that of the original manufacturer. (c) 1996 Aftermarket Parts Inc.





**Ranger Hinge Pin**

668 GM  
668 CUM





# Ranger Hinge Pin

**Model Numbers:**

668 GM  
668 CUM

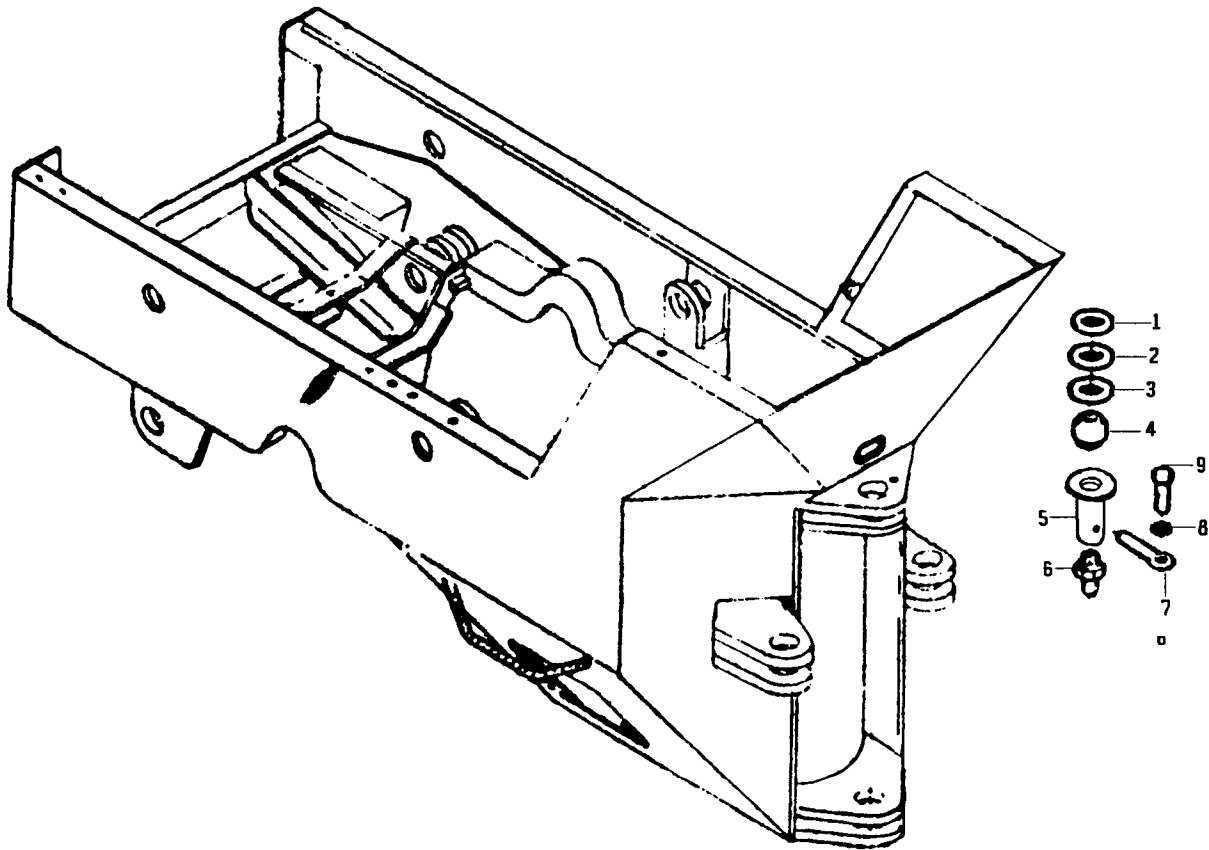
REF	AFTERMARKET NO.	DESCRIPTION/COMMENT	QTY
1	4060306	Shim	19
2	4420307	Washer, Thrust	4
3	1451303	Bushing, Self Aligning - 2" I.D.	2
4	3230304	Pin, Hinge - Upper	1
	3230306	Pin, Hinge - Lower	1
5	2182900	Fitting, Grease	2
6	3030302	Lockpin	2
7		Lockwasher	2
8		Bolt	2

Note: 668 GM Serial Number 505A-101 thru 505B-9999 CAC.

668 CUM Serial Number 507A-101 CAC thru 507B-9999 CAC.

Manufacturers' names, part numbers and model numbers are for reference purposes only. We do not suggest or imply that any item is that of the original manufacturer. (c) 1996 Aftermarket Parts Inc.





**Ranger Hinge Pin**

667 GM  
 667 GM GR  
 667 CUM  
 667 CUM GR



## Ranger Hinge Pin

**Model Numbers:**

667 GM                      667 CUM GR  
 667 GM GR  
 667 CUM

REF	AFTERMARKET NO.	DESCRIPTION/COMMENT	QTY
1	4060303	Shim	A/R
2	4420302	Washer, Thrust - use 442901	A/R
3	4420303	Washer, Thrust - use 4422900	A/R
4	1451302	Bushing, Self Aligning - 1.3/4" I.D.	2
5	3230301	Pin, Hinge	2
6	2182900	Fitting, Grease	2
7	3030302	Lockpin	2
8		Lockwasher	2
9		Bolt	2

Notes: 667 GM Serial Number 503A-101 thru 503A-2215 CAC, and  
 503A-2231 thru 9999 CAC.

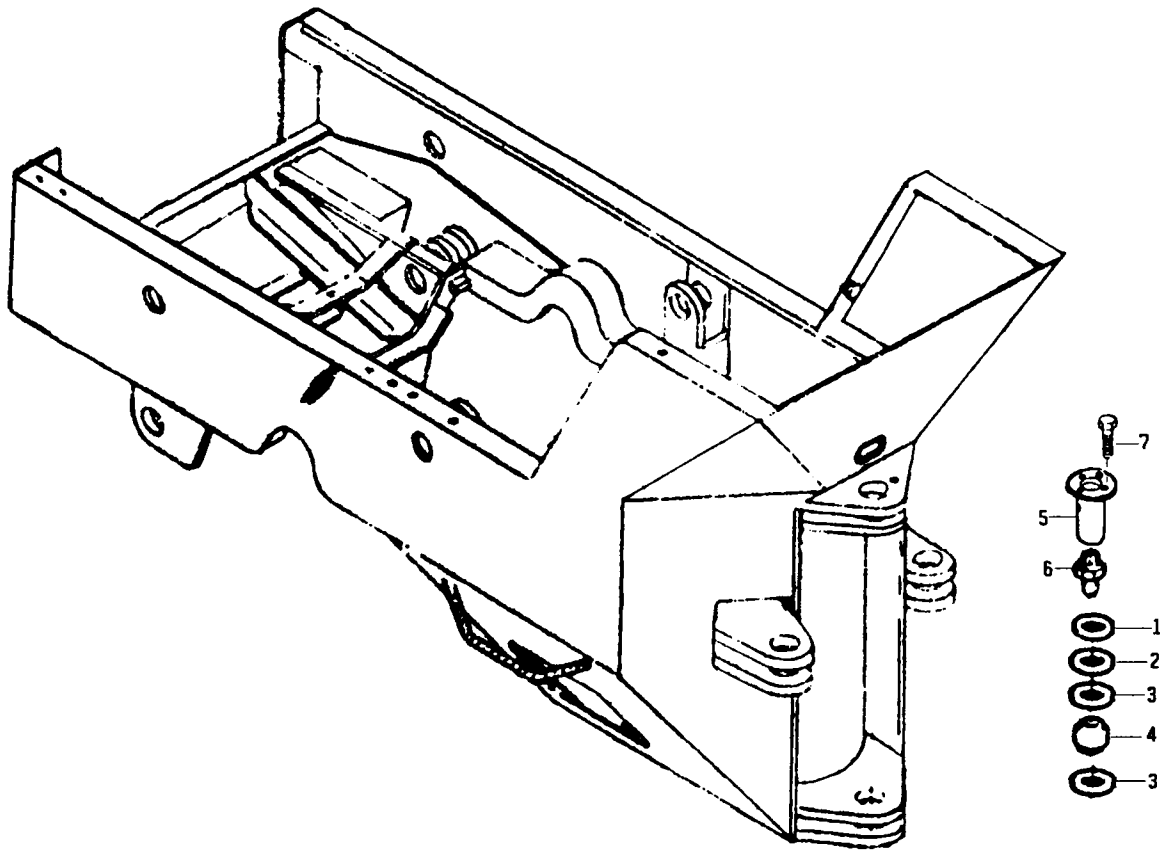
667 CUM Serial Number 504A-101 thru 504A-1915 CAC, and  
 504A-1931 thru 9999 CAC.

667 GMGR Serial Number 509A-101 thru 509A-9999 CAC.

667 CUM GR Serial Number 510A-101 thru 510A-9999 CAC.

Manufacturers' names, part numbers and model numbers are for reference purposes only. We do not suggest or imply that any item is that of the original manufacturer. (c) 1996 Aftermarket Parts Inc.





### Ranger Hinge Pin

667 GM  
667 CUM





## Ranger Hinge Pin

**Model Numbers:**

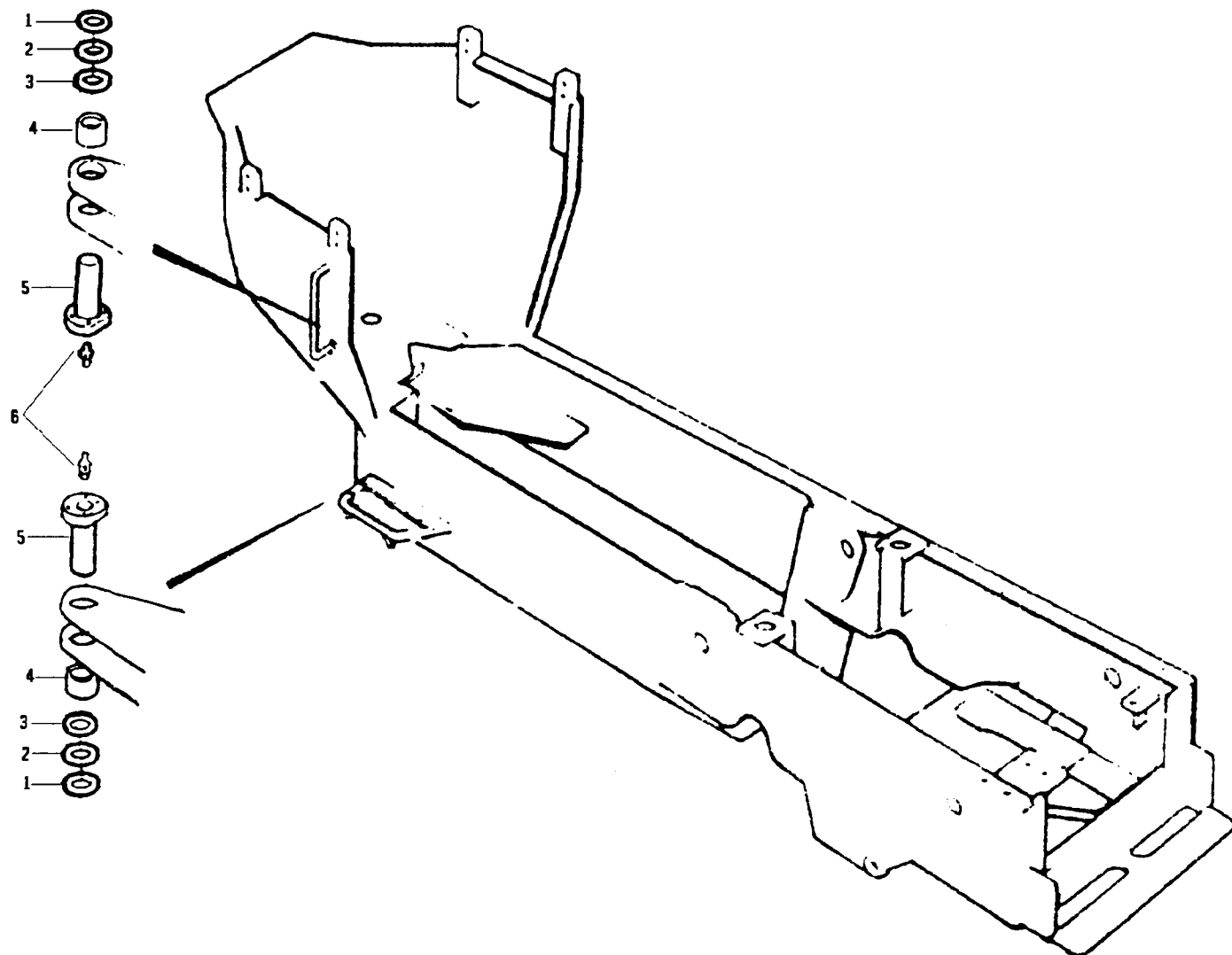
667 GM  
667 CUM

REF	AFTERMARKET NO.	DESCRIPTION/COMMENT	QTY
1	4060303	Shim	A/R
2	4420302	Washer, Thrust - use 4422901	A/R
3	4420303	Washer, Thrust - use 4422900	A/R
4	1451302	Bushing, Self Aligning - 1.3/4" I.D.	2
5	3230302	Pin, Hinge	2
6	2182900	Fitting, Grease	2
7		Bolt	N/A

Note: 667 GM Serial Number 503A-2216 thru 503A-2230 CAC, and  
667 CUM Serial Number 504A-1916 thru 504A-1930 CAC.

Manufacturers' names, part numbers and model numbers are for reference purposes only. We do not suggest or imply that any item is that of the original manufacturer. (c) 1996 Aftermarket Parts Inc.





**Ranger Hinge Pin**

667 GM FWD  
 667 CUM FWD



# Ranger Hinge Pin

**Model Numbers:**

667 GM FWD

667 CUM FWD

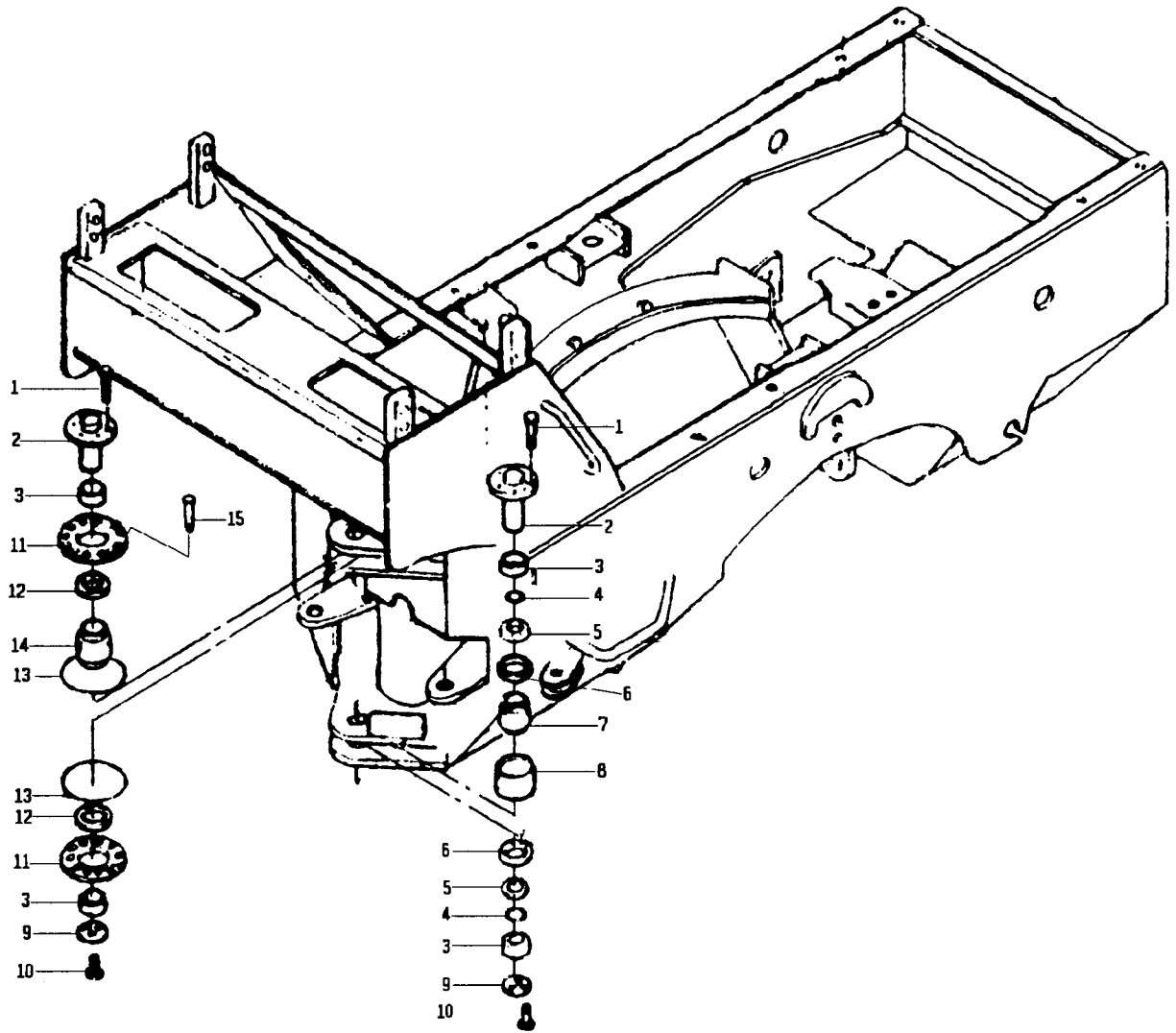
REF	AFTERMARKET NO.	DESCRIPTION/COMMENT	QTY
1	4060303	Shim	A/R
2	4420302	Washer, Thrust - use 4422901	A/R
3	4420303	Washer, Thrust - use 4422900	A/R
4	1451302	Bushing, Self Aligning - 1.3/4 I.D.	2
5	3230302	Pin, Hinge	2
6	2182900	Fitting, Grease	2

Notes: 667 GM FWD Serial Number 521A-101 CAC and up.

667 CUM FWD Serial Number 522A-101 CAC and up.

Manufacturers' names, part numbers and model numbers are for reference purposes only. We do not suggest or imply that any item is that of the original manufacturer. (c) 1996 Aftermarket Parts Inc.





Ranger Hinge Pin	
666 GM	667 GM
666 GM GR	667 GM GR
666 CUM	667 CUM
666 CUM GR	667 CUM GR





## Ranger Hinge Pin

### Model Numbers:

666 GM	666 CUM GR	667 CUM
666 GM GR	667 GM	667 CUM GR
666 CUM	667 GM GR	

REF	AFTERMARKET NO.	DESCRIPTION/COMMENT	QTY
1		Bolt	12
2	3235106	Pin, Hinge	2
3	4115100	Sleeve	4
4	3170356	O'Ring	2
5	3735100	Ring	2
6	3952100	Seal	2
7	1451303	Bushing, Self Aligning - 2" I.D.	1
8	4115101	Sleeve	1
9	3495100	Plate, End	2
10		Bolt	6
11	3655100	Retainer	2
12	3952101	Seal	2
13	3170363	O'Ring	2
14	1451310	Bushing, Self Aliging	1
15		Bolt	24

Note: 666 GM Serial Number 548A-101CAC and up.

666 GM GR Serial Number 549A-101 CAC and up, 552A-101 CAC and up.

666 CUM Serial Number 559A-101 CAC and up.

666 CUM GR Serial Number 555A-101 CAC and up.

667 GM Serial Number 503B-101 thru 503B-9999 CAC, 534B 101 thru 534E-9999 CAC, and 556G-101 CAC and up.

667 GM GR Serial Number 509B-101 thru 509B-9999 CAC, 536B-101 thru 536E-9999 CAC, and 557G-101 CAC and up.

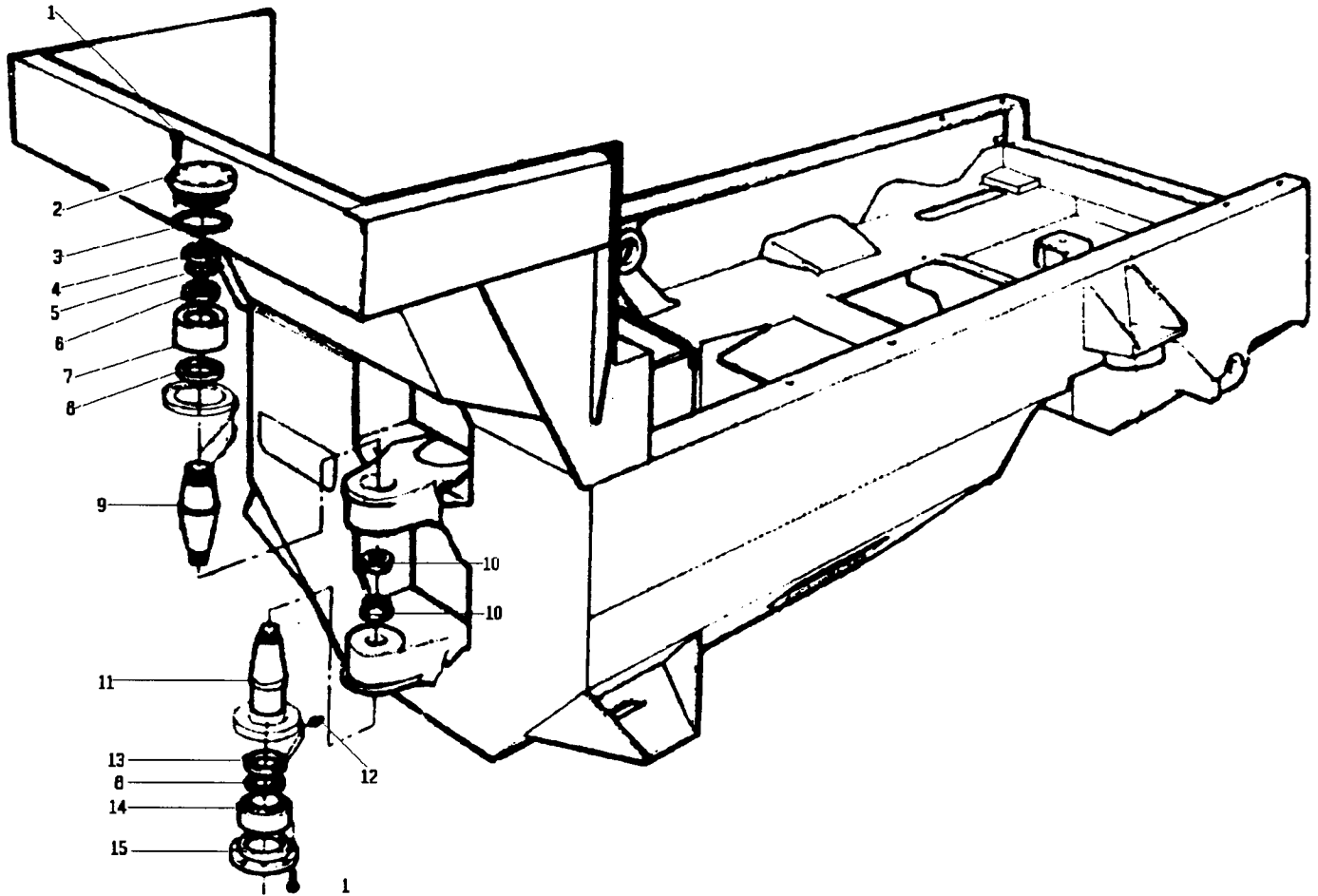
Manufactures' names, part numbers and model numbers are for reference purposes only. We do no suggest or imply that any item is that of the original manufacture. (c) 1996 Aftermarket Parts Inc.

# Ranger Hinge Pins

REF	AFTERMARKET NO.	DESCRIPTION/COMMENT	QTY
-----	-----------------	---------------------	-----

Notes: 667 CUM Serial Number 504B-101 thru 504C-9999 CAC, 535A-101 thru 535A-9999 CAC, and 535D-9999 CAC, and 557G-101 CAC and up.

667 CUM GR Serial Number 510B-101 thru 510C-9999 CAC, 537A-101 thru 537A-A9999 CAC and 537D-101 THRU 537G-101 CAC and up.



<b>Ranger Hinge Pin</b>	
664 Deutz	664 CUM
664 GM	665 GM
664 GM GR	665 GM GR

Manufacturers names, part numbers and model numbers are for reference purposes only. We do not suggest or imply that any item is that of the original manufacturer. © 1996 Aftermarket Parts Inc.



# Ranger Hinge Pin

**Model Numbers:**

664 Deutz	664 CUM
664 GM	664 GM
664 GM GR	665 GM GR

REF	AFTERMARKET NO.	DESCRIPTION/COMMENT	QTY
1		Bolt	16
2	3665100	Retainer	1
3	3170357	O'Ring	2
4	3145100	Locknut	1
5	4435100	Lockwasher	1
6	4455100	Washer	1
7	1451309	Bushing, Self Aligning	1
8	3952101	Wiper	2
9	3235107	Pin, Hinge - Upper	1
10	3145101	Locknut	2
11	3235108	Pin, Hinge - Lower	1
12		Fitting, Grease	2
13	3952102	Seal	1
14	1451304	Bushing, Self Aligning - 2.1/4" I.D.	1
15	3665101	Reatiner	1

Notes: 664 Duetz Serial Number 529C-101 and up.

664 GM Serial Number 528A-101 thru 528D-9999 CAC.

664 GM GR Serial Number 540A-101 thru 540A-9999 CAC.

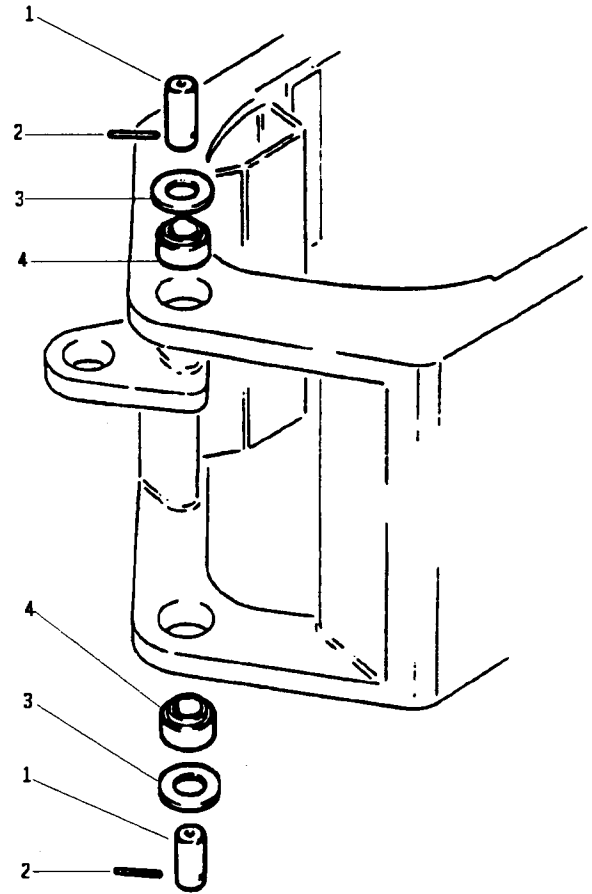
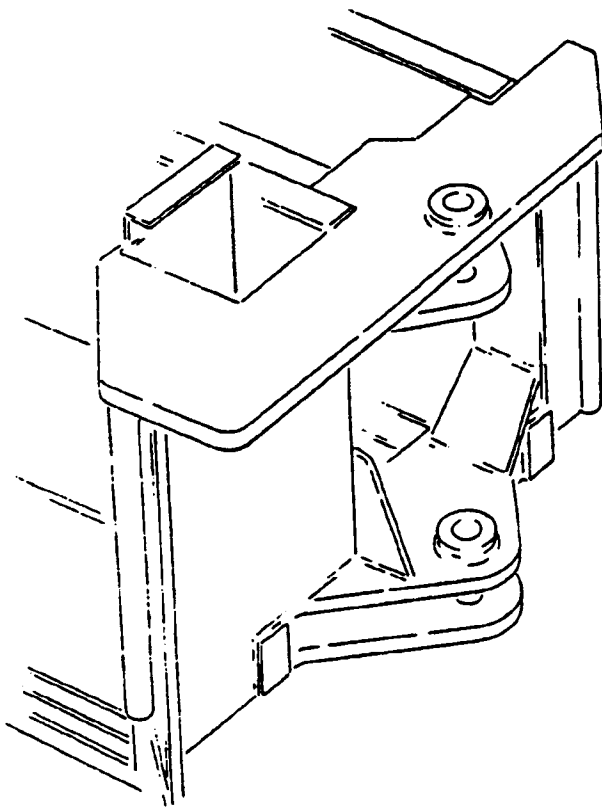
664 CUM Serial Number 551D-101 thru 551F-9999 CAC.

665 GM Serial Number 541A-101 thru 541F-9999 CAC.

665 GM GR Serial Number 543C-101 - 543E-9999 CAC, and 558F-101 CAC and up.

Manufacturers' names, part numbers and model numbers are for reference purposes only. We do not suggest or imply that any item is that of the original manufacturer. (c) 1996 Aftermarket Parts Inc.





### Timberjack Hinge Pin

208GS	230TS
208TS	230GSG
225GS	230GSMJ
225TS	230GSPJ
230GS	230TSPJ





## Timberjack Hinge Pin

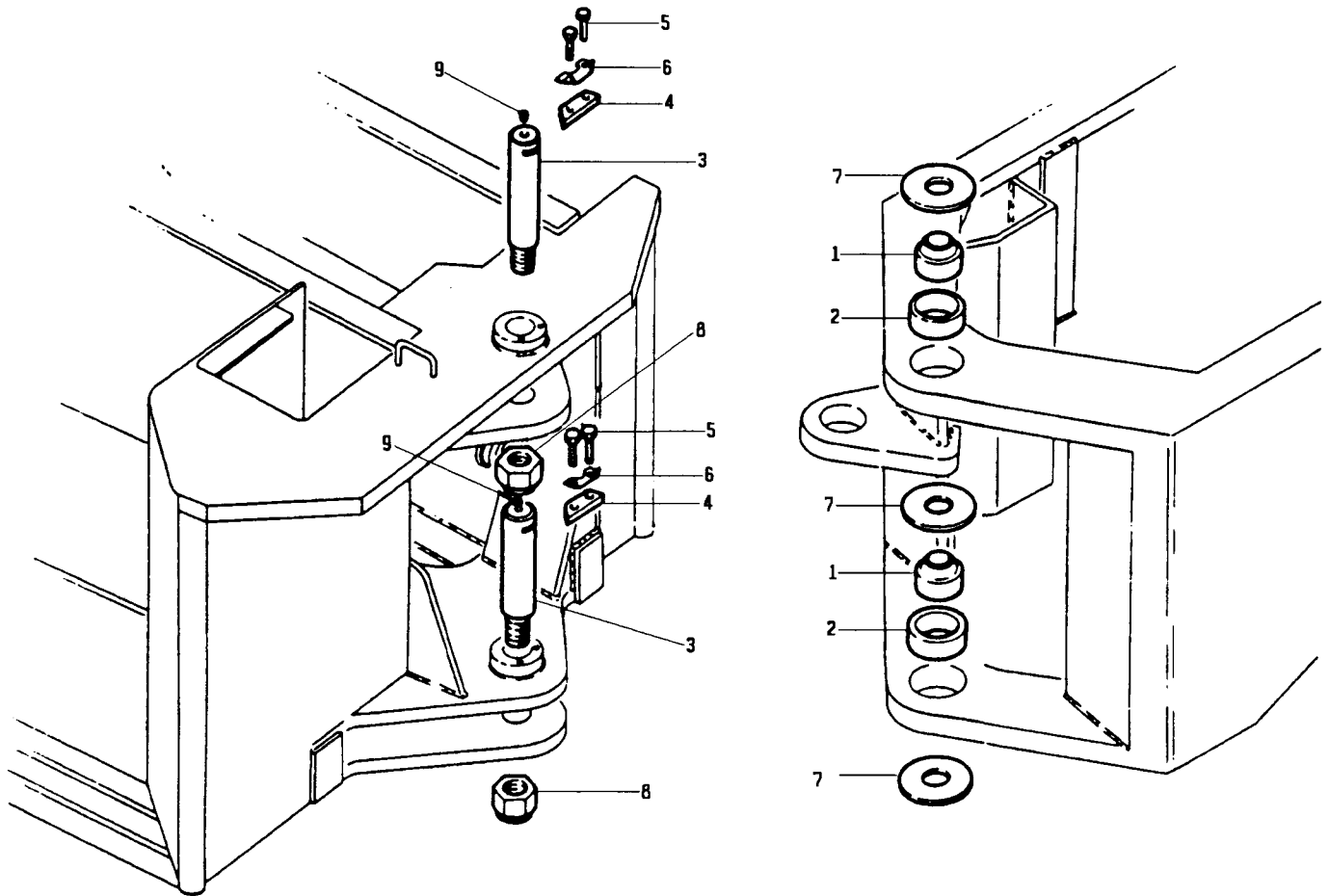
**Model Numbers:**

208 GS	230 GS	230 GSPJ
208 TS	230 TS	230 TSPJ
225 GS	230 GSG	
225 TS	230 GSMJ	

REF	AFTERMARKET NO.	DESCRIPTION/COMMENT	QTY
1	3292900	Pin, Hinge	2
2	3342904	Pin, Spirol	2
3	4422900	Washer, Thrust - 3/16" Thick	A/R
	4422901	Washer, Thrust - 1/4" Thick	A/R
	4422902	Washer, Thrust - 5/16" Thick	A/R
4	4422903	Washer, Thrust - 3/8" Thick	A/R
	1451302	Bushing, Self Aligning - 1.3/4" I.D.	2

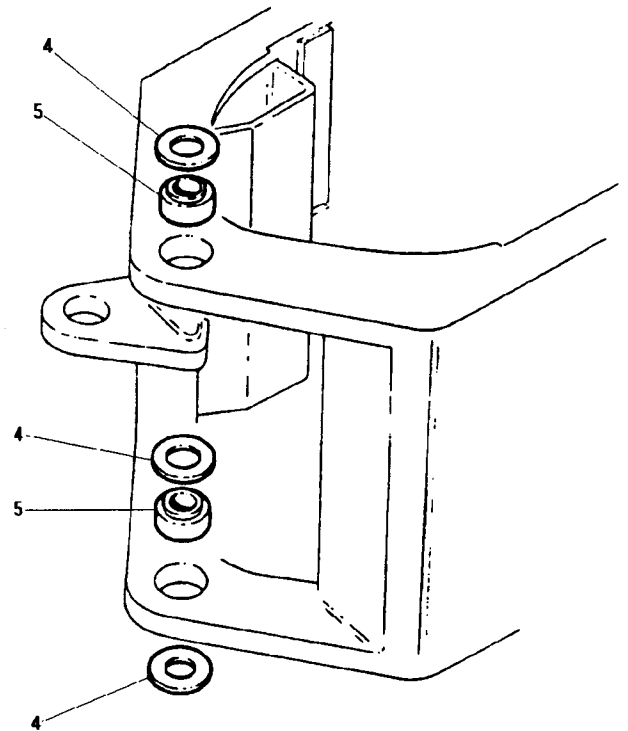
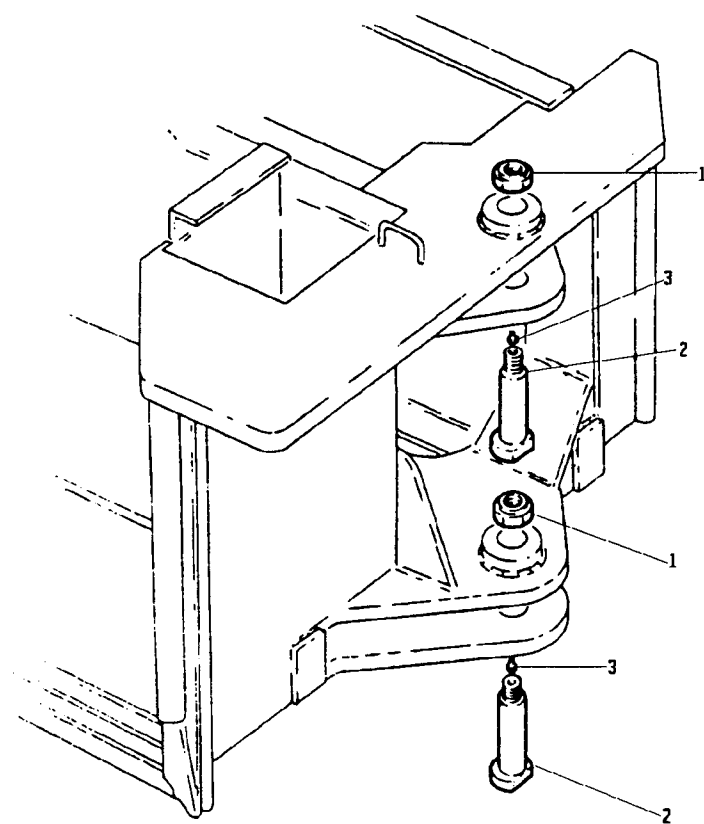
Note: Serial Numbers 777001 to 783119 only. Part number 3232900 may be used to replace Part number 3292900.





For TBJ 240 Serial Numbers 240001 to 240010 only,  
no longer available. See next page for replacement parts.





### Timberjack Hinge Pin

208GS	225TSDD	230GSPJ	230GSE 5T	240GSAE
208TS	230GS	230TSPJ	230GS 8T	240GSDD
225GS	230TS	230GPE	230GSEXM	240GSGE
225TS	230GSE	230DESEXM	230GSEXS	240GAEAN
225GSE	230TSE	230DESEXS	240GS	
225TSE	230GSDD	230GS 5T	240GSA	
225GSDD	230TSDD	230GS 8T	240GSE	



## Timberjack Hinge Pin

**Model Numbers:**

208 GS	225 GSDD	230 GSDD	230 DESEXS	230 GSEXS	240 GSGE
208 TS	225 TSDD	230 TSDD	230 GS 5T	240 GS	240 GAEAN
225 GS	230 GS	230 GSPJ	230 GS 8T	240 GSA	
225 TS	230 TS	230 TSPJ	230 GSE 5T	240 GSE	
225 GSE	230 GSE	230 GPE	230 GSE 8T	240 GSAE	
225 TSE	230 TSE	230 DESEXM	230 GSEXM	240 GSDD	

REF	AFTERMARKET NO.	DESCRIPTION/COMMENT	QTY
1	3142909	Locknut	2
2	3232900	Pin, Hinge	2
3	2182900	Fitting, Grease	2
4	4422900	Washer, Thrust - 3/16" Thick	A/R
	4422901	Washer, Thrust - 1/4" Thick	A/R
5	4422902	Washer, Thrust - 5/16" Thick	A/R
	4422903	Washer, Thrust - 3/8" Thick	A/R
	1451302	Bushing, Self Aligning - 1.3/4" I.D	2

NOTE: 208 thru 230 Serial Numbers 783120 to 800000 Canadian mfg.

208 thru 230 Serial Numbers 900001 and up USA mfg.

230 DSEXM Serial Number AA5191 and up.

230 DSEXS Serial Number AA5191 and up.

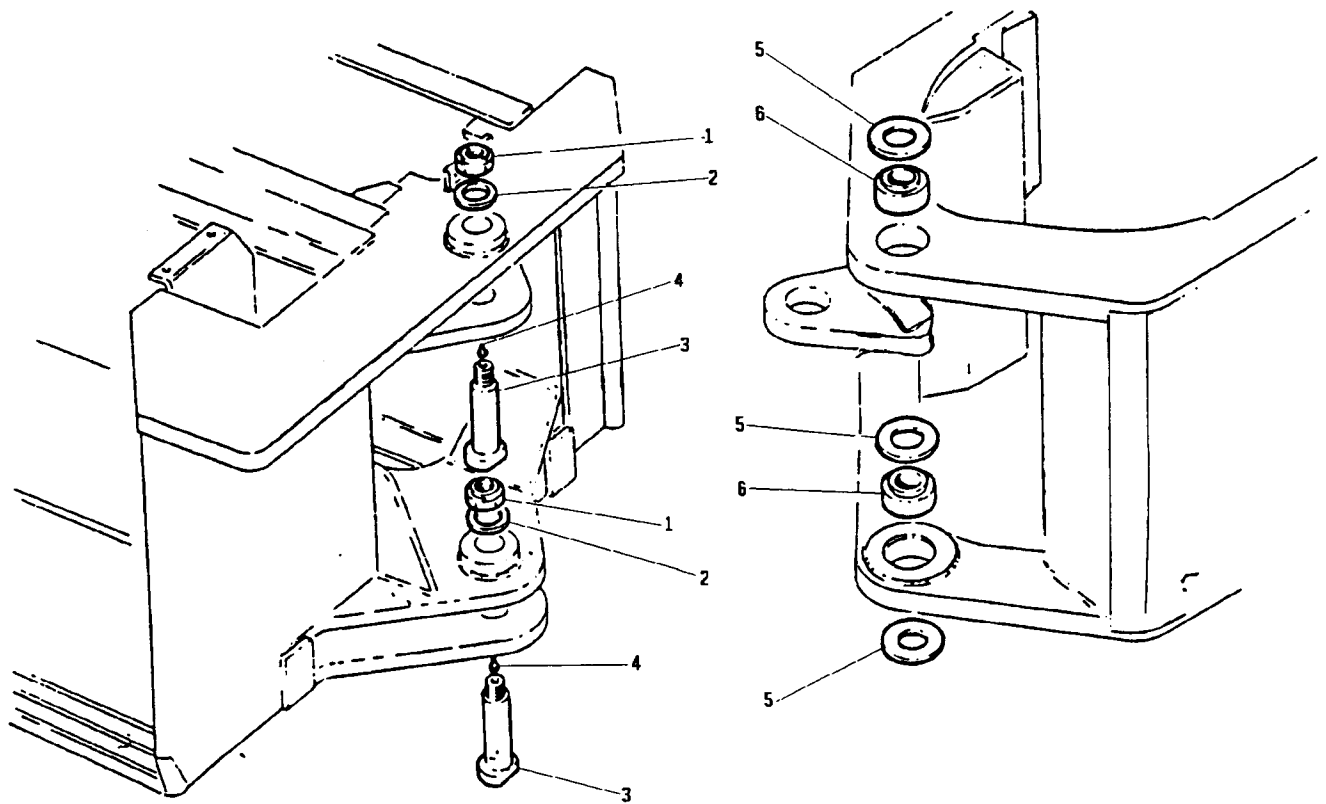
240 Serial Numbers 240001 to 840000 Canadian mfg.

240 Serial Numbers 940001 and up USA mfg.

Manufacturers' names, part numbers and model numbers are for reference purposes only. We do not suggest or imply that any item is that of the original manufacturer. (c) 1995 Aftermarket Parts Inc.







### Timberjack Hinge Pin

208GSREX	225GSEDD	230GSEEW	240GSEEB	240ASEAX
208TSREX	225ASEEX	230GSEEX	240GSEEW	240HSEAX
225GSREB	230GAEEB	230ASEAX	240GAEAN	240GSEEX
225GSRDD	230GAEEN	230DSEEX	240GAEEB	240DSEAX
225TSRDD	230GSEEB	230DSREX	240TSEEW	240DSEQP
225ASREX	230GSEEN	240GSEAN	240GSEAX	



## Timberjack Hinge Pin

### Model Numbers:

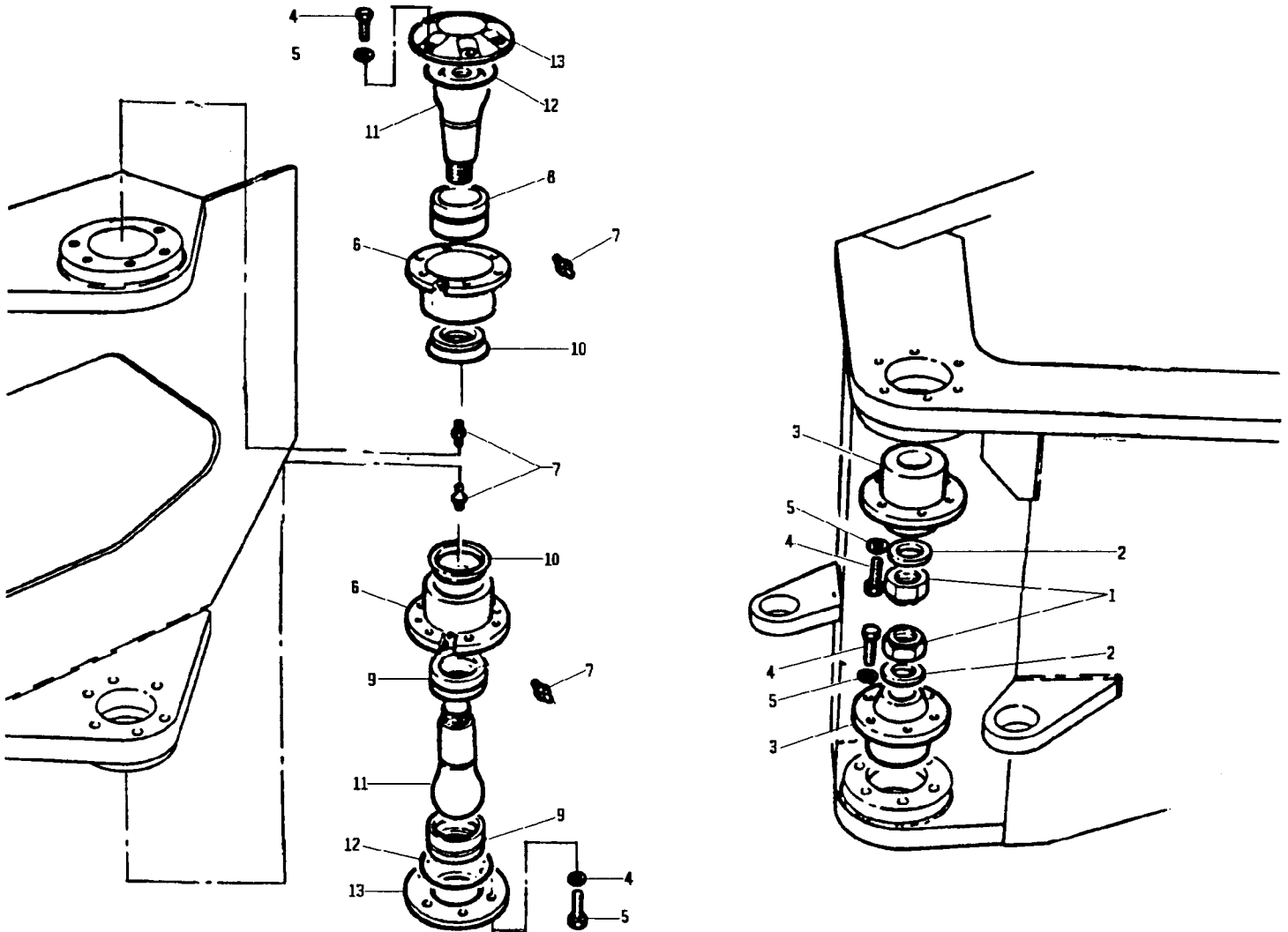
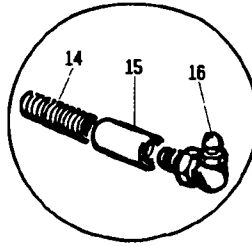
208GSREX	225GSEDD	230GSEEW	240GSEEB	240ASEAX
208TSREX	225ASEEX	230GSEEX	240GSEEW	240HSEAX
225GSREB	230GAEEB	230ASEAX	240GAEAN	240GSEEX
225GSRDD	203GAEEN	230DSEEX	240GAEEB	240DSEAX
225TSRDD	230GSEEB	230DSREX	240TSEEW	240DSEQP
225ASREX	230GSEEN	240GSEAN	240GSEAX	

REF	AFTERMARKET NO.	DESCRIPTION/COMMENT	QTY
1	3142909	Locknut	2
2	4452904	Washer, Special	2
3	3232902	Pin, Hinge	2
4	2182900	Fitting, Grease	2
5	4422904	Washer, Thrust - 3/16" Thick	A/R
	4422905	Washer, Thrust - 7/32" Thick	A/R
	4422906	Washer, Thrust - 1/4" Thick	A/R
	4422907	Washer, Thrust - 9/32" Thick	A/R
	4422908	Washer, Thrust - 5/16" Thick	A/R
	4422909	Washer, Thrust - 11/32" Thick	A/R
	4422910	Washer, Thrust - 3/8" Thick	A/R
	4422916	Washer, Thrust - 7/16" Thick	A/R
	4422917	Washer, Thrust - 1/2" Thick	A/R
6	1451303	Bushing, Self Aligning - 2" I.D.	2

NOTE: 208 thru 240 Serial Numbers 800001 to 847157.  
230GSEEX Serial Number AA5191 and up.

Manufacturers' names, part numbers and model numbers are for reference purposes only. We do not suggest or imply that any item is that of the original manufacturer. (c) 1995 Aftermarket Parts Inc.





### Timberjack Hinge Pin

350GPEEX	380DPEAX	380TPEEX	450HPECG	450HPRSP	520GPRBG
350HPEAX	380DPRSG	380GPEEG	450HPESG	450HPRSG	520GPCKC
350HPEEX	380DPRSP	380GPEFG	450HPESP	450HPRAX	520GPCKL
350HPEQP	380DPECG	380GPEQP	450GPEAX	520GPRTX	520GPKBG
350APEAX	380DPESG	380GPERP	450HPEAX	520GPEKC	520GPKTX
350APEEX	380DPESP	450DPEAX	450HPRAG	520GPEKL	
350GPEAX	380GPEEX	450HPRSP	450HPRCG	520GPRAG	



## Timberjack Hinge Pin

<b>Model Numbers:</b>		380DPESP	450DPEAX	450HPRAG	520GPEKL
350GPEEX	350GPEAX	380GPEEX	450HPRSP	450HPRCG	520GPRAG
350HPEAX	350DPEAX	380TPEEX	450HPECG	450HPRSG	520GPRBG
350HPEEX	380DPRSG	380GPEEG	450HPESG	450HPRSP	520GPCKC
350HPEQP	380DPRSP	380GPEFG	450HPESP	450HPRAX	520GPCKL
350APEAX	380DPECG	380GPEQP	450GPEAX	520GPRTX	520GPKBG
350APEEX	380DPESG	380GPERP	450HPEAX	520GPEKC	520GPKTX

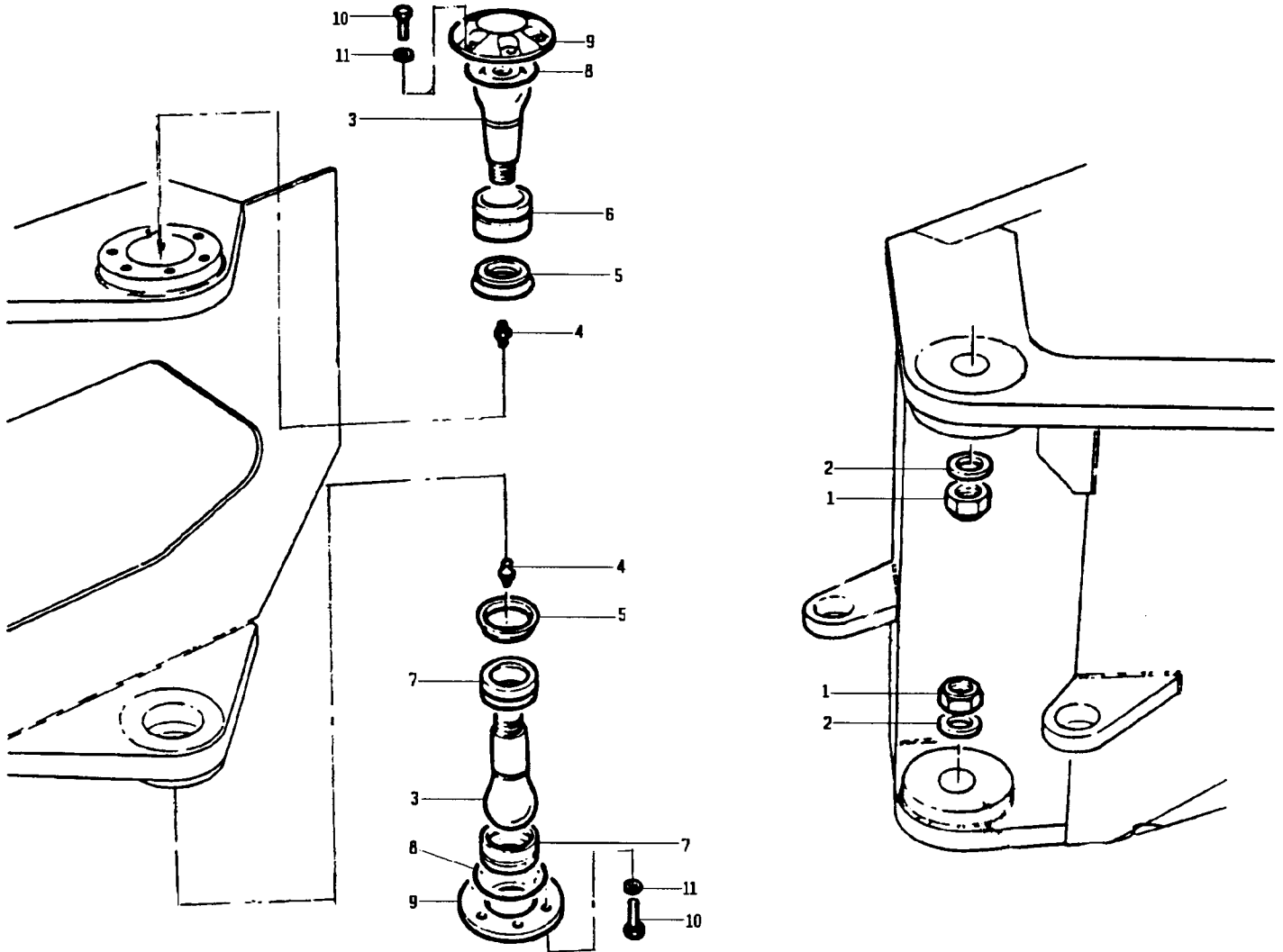
REF	AFTERMARKET NO.	DESCRIPTION/COMMENT	QTY
1	3142906	NUT, 1.3/4" - 12GR.C - THIN - COLLAR	2
2	4452903	Washer	2
3	4112900	Sleeve	2
4	5/8 - 18UNF X2	Bolt	24
5	5/8	Flat Washer, Hardened	24
6	4112901	Sleeve	2
7	2182900	Fitting Grease	4
8	1441801	Bushing, Upper	1
9	1441800	Bushing, Lower - If replacement is necessary the inner and outer	
		bushing should be replaced.	2
10	3952902	Seal	2
11	3232903	Pin, Hinge	2
12	3170358	O'Ring	2
13	3482900	Plate, Cover	2
14		Nipple, 1/8" NPT	1
15		Coupling, 1/8" NPT	1
16	2182901	Fitting, 1/8" Grease - 90°	1

NOTE: 350 Serial Number 300005 thru 351445.  
 380 Serial Number 300015 thru 382751.  
 450 Serial Number 450001 thru 452925.  
 520 Serial Number 520001 thru 521331.  
 350 thru 450 Serial Numbers 351446 thru 357022.  
 520 Serial Numbers 566032 thru 567016.

NOTE: 520 GPCKC, 520GPCKL Serial Number 521316 and up.  
 520 GPEKC, 520GPEKL Serial Number 520001 and up use items 14, 15 and 16 on the upper pxin assy.

Manufacturers' names, part numbers and model numbers are for reference purposes only. We do not suggest or imply that any item is that of the original manufacturer. (c) 1995 Aftermarket Parts Inc.





### Timberjack Hinge Pin

225ASEEX	240DSEAX	350HPEAX	380DPRSG	450DPEAX	520GPCKL
225GSEDD	240DSEQP	350HPEEX	380DPRSP	450HPEAX	520GPRBG
225GSEEX	240GSEAX	350HPEQP	380GPEAX	450HPECG	520GPKTX
230DSEEX	240GSEEX	380DPEAX	380GPEEG	450HPESG	
240ASEAX	240GSEEB	380DPECG	380GPEFG	450HPESP	
240DPEQP	350APEAX	380DPESG	380GPEQP	480DPKBG	
240DPERP	350APEEX	380DPESP	380GPERP	520GPCKC	

Manufacturers' names, part numbers and model numbers are for reference purposes only. We do not suggest or imply that any item is that of the original manufacturer. © 1995 Aftermarket Parts, Inc.



## Timberjack Hinge Pin

<b>Model Numbers:</b>	350APEAX	380DPESG	380GPEQP	480DPKBG	
225ASEEX	240DPERP	350APEEX	380DPESP	380GPERP	520GPCKC
225GSEDD	240DSEAX	350HPEAX	380DPRSG	450DPEAX	520GPCKL
225GSEEX	240DSEQP	350HPEEX	380DPRSP	450HPEAX	520GPKBG
230DSEEX	240GSEAX	350HPEQP	380GPEAX	450HPECG	520GPKTX
240ASEAX	240GSEEX	380DPEAX	380GPEEG	450HPESG	
240DPEQP	240GSEEB	380DPECG	380GPEFG	450HPESP	

REF	AFTERMARKET NO.	DESCRIPTION/COMMENT	QTY
1	3142906	NUT, 1.3/4" - 12GR.C - THIN - COLLAR	2
2	4452903	Washer	2
3	3232903	Pin, Hinge	2
4	2182900	Fitting, Grease	2
5	3952902	Seal	2
6	1441801	Bushing, Upper	1
7	1441800	Bushing, Lower - If replacement is necessary, the inner and the outer bushing should be replaced.	2
8	3170358	O'Ring	2
9	3482900	Plate, Cover	2
10	5/8" - 18UNF x 1.1/4"	Bolt	12
11	5/8"	Flat Washer, Hardened	12

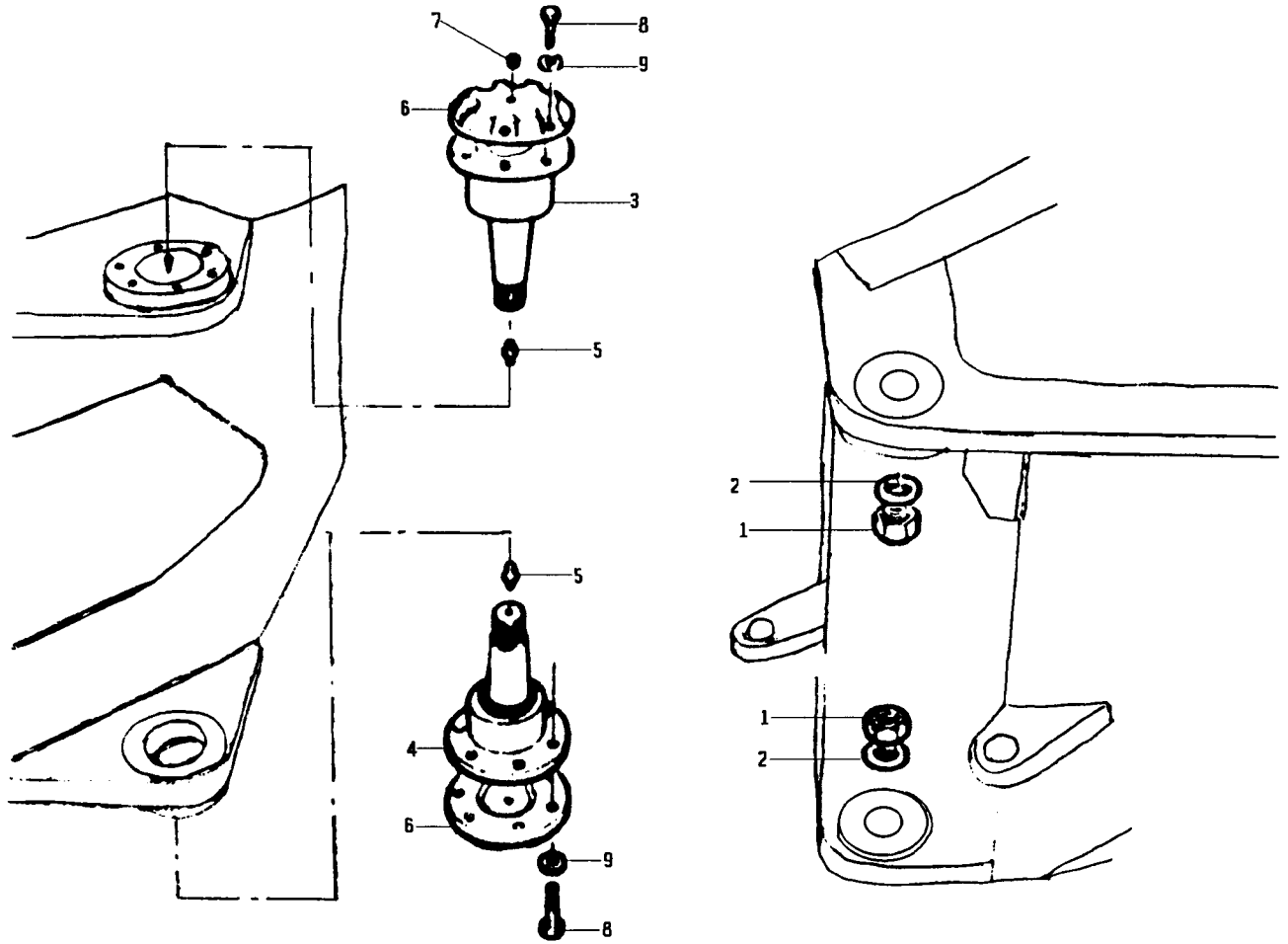
NOTE: 225 thru 240 Serial Number 847158 and up, 847167 and up, AA3590 and up, AA5191 and up, AA7487 and up.  
350 thru 450 Serial Numbers 357023 and up.

480DPKBG Serial Number 357485 and up.

520 Serial Numbers 567017 and up, AA6347 and up.

Manufacturers' names, part numbers and model numbers are for reference purposes only. We do not suggest or imply that any item is that of the original manufacturer. (c) 1995 Aftermarket Parts Inc.





### Timberjack Hinge Pin

230 F  
 380  
 380 SL  
 450  
 480



## Timberjack Hinge Pin

**Model Numbers:**

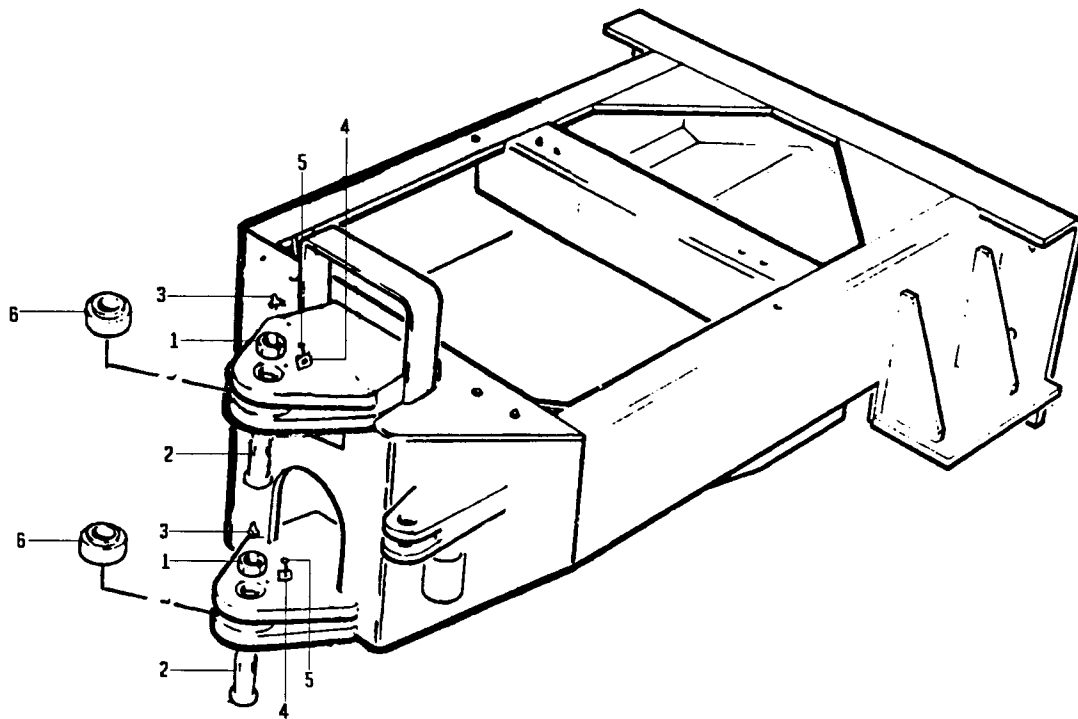
230 F  
 380  
 380 SL  
 450  
 480

REF	AFTERMARKET NO.	DESCRIPTION/COMMENT	QTY
1	3142906	NUT, 1.3/4" - 12GR.C - THIN - COLLAR	2
2	4452903	Washer	2
3	4102900	Assy, Hinge Pin & Sleeve - Single Bushing	1
4	4102901	Assy, Hinge Pin & Sleeve - Double Bushing	1
5	2182900	Fitting, Grease	2
6	3482901	Plate, Cover	2
7	3522901	Plug, 1/8" - 27 NPT	1
8	1/2" - 20 UNF X 2	Bolt	12
9	1/2"	Washer	12

NOTE: 230F Serial Number AC5390 and up.  
 380 Serial Number AC2555 and up.  
 380SL Serial Number AC2636 and up.  
 450 and 480 Serial Number AC4344 and up.







## Tree Farmer Hinge Pin

C4D  
C5D



## Tree Farmer Hinge Pin

**Model Numbers:**

C4D

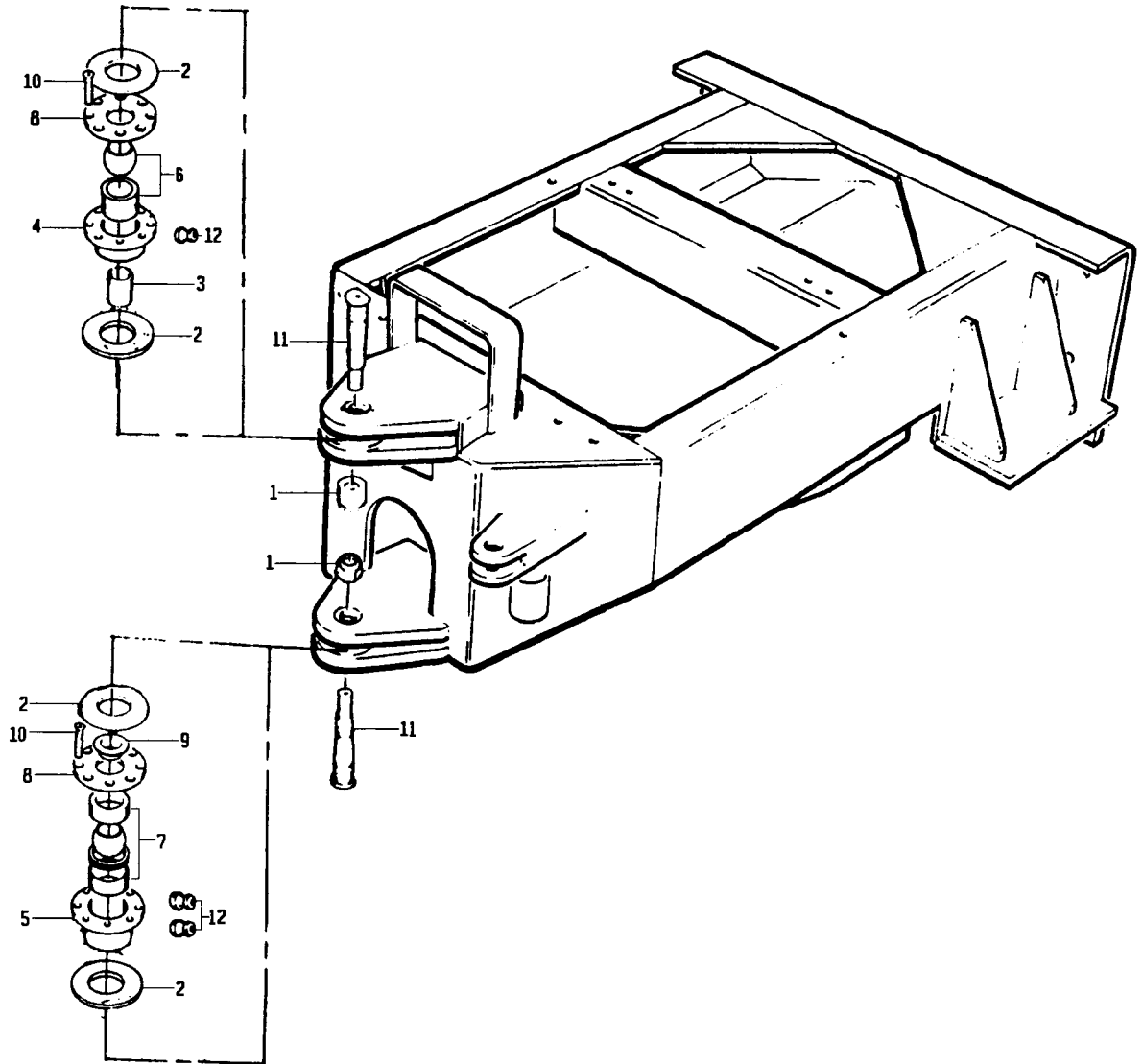
C5D

REF	AFTERMARKET NO.	DESCRIPTION/COMMENT	QTY
1	3133200	Nut, Jam	2
2	3233200	Pin, Hinge	2
3	2182900	Fitting, Grease	2
4	3033200	Keeper	2
5	3873201	Capscrew	2
6	1451301	Bushing, Self Aligning - 1.1/2" I.D.	2
	4463200	Weldment - 5" OD x 2.1/2" I.D. x 1.3/8" width - Not Pictured	A/R
	4463201	Weldment - 3" OD x 2.1/2" I.D. x 1.3/8" width - Not Pictured	A/R

NOTE:C4D-Deutz-Skidder Serial Number 4901-006 and down.  
           Deutz-Porter Serial Number 4931-007 and down.  
 C5D-Deutz-Skidder Serial Number 5902-061 and down.  
           GM-Skidder Serial Number 5901-008 and down.  
           ALL-Porter Serial Number 5931-017 and down.

Manufacturers' names, part numbers and model numbers are for reference purposes only. We do not suggest or imply that any item is that of the original manufacturer. (c) 1995 Aftermarket Parts Inc.





### Tree Farmer Hinge Pin

C4D  
C5D



# Tree Farmer Hinge Pin

**Model Numbers:**

C4D

C5D

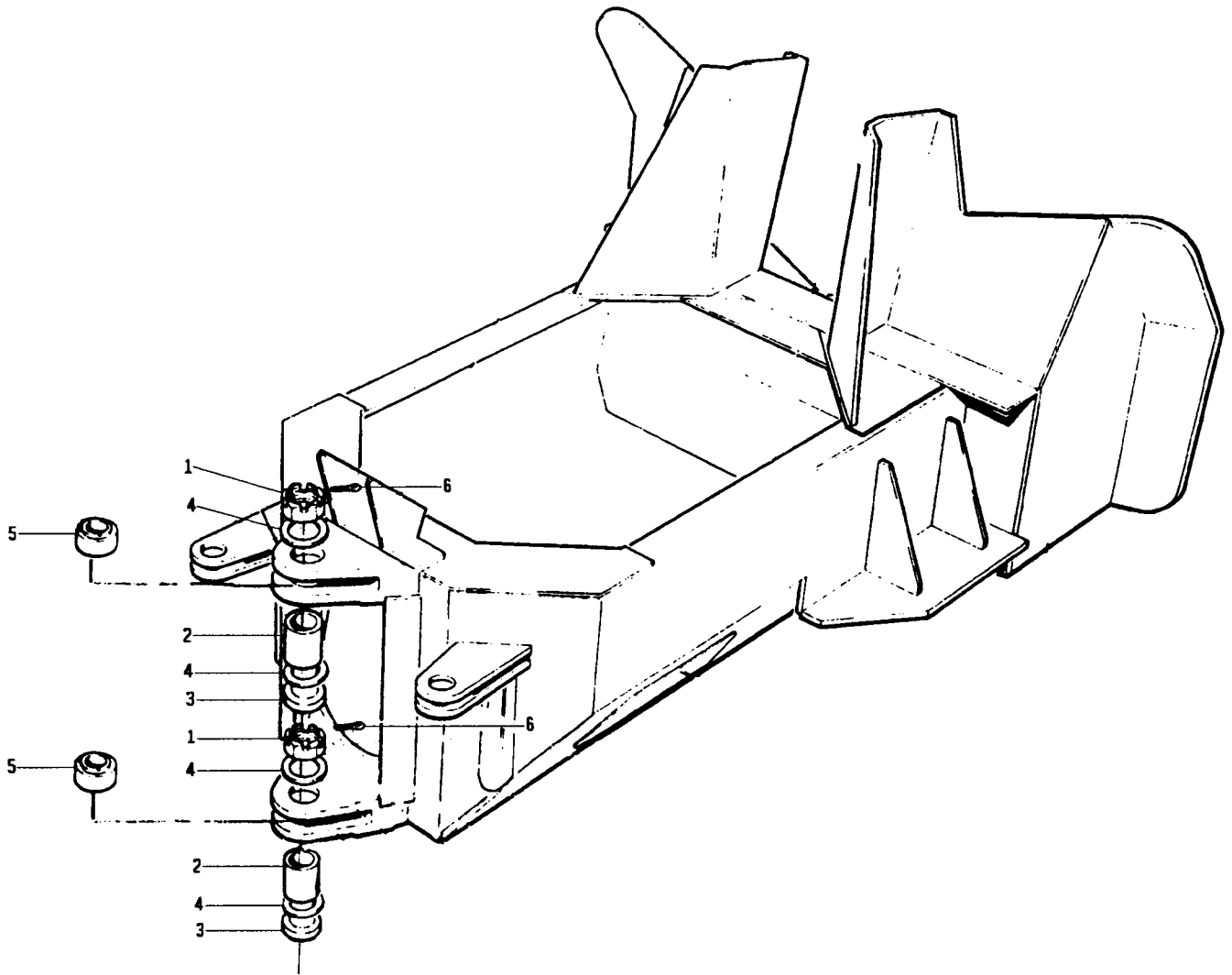
REF	AFTERMARKET NO.	DESCRIPTION/COMMENT	QTY
1	3143200	Locknut	2
2	3953200	Seal, Felt	4
3	4113201	Sleeve	1
4	4113202	Sleeve	1
5	4113203	Sleeve	1
6	1455000	Bushing, Upper	1
7	1455001	Bushing, Lower	1
8	3483200	Plate, Cover	2
9	1445000	Bushing	1
10	1/2"-20 x 2	Capscrew, Socket Head	N/A
11	3233201	Pin	2
12	1/4"-28 NF	Fitting, Grease - Straight	3

NOTE: C4D-Duetz-Skidder Serial Number 4901-007 and up.  
 Duetz-Porter Serial Number 4931-008 and up.  
 C5D-Duetz-Skidder Serial Number 5902-062 and up.  
 GM-Skidder Serial Number 5901-009 and up.  
 All-Porter Serial Number 5931-018 and up.  
 GM-Powershift All

Manufacturers' names, part numbers and model numbers are for reference purposes only. We do not suggest or imply that any item is that of the original manufacturer. (c) 1995 Aftermarket Parts Inc.







### Tree Farmer Hinge Pin

C6D  
C7D  
C8A



# Tree Farmer Hinge Pin

**Model Numbers:**

C6D

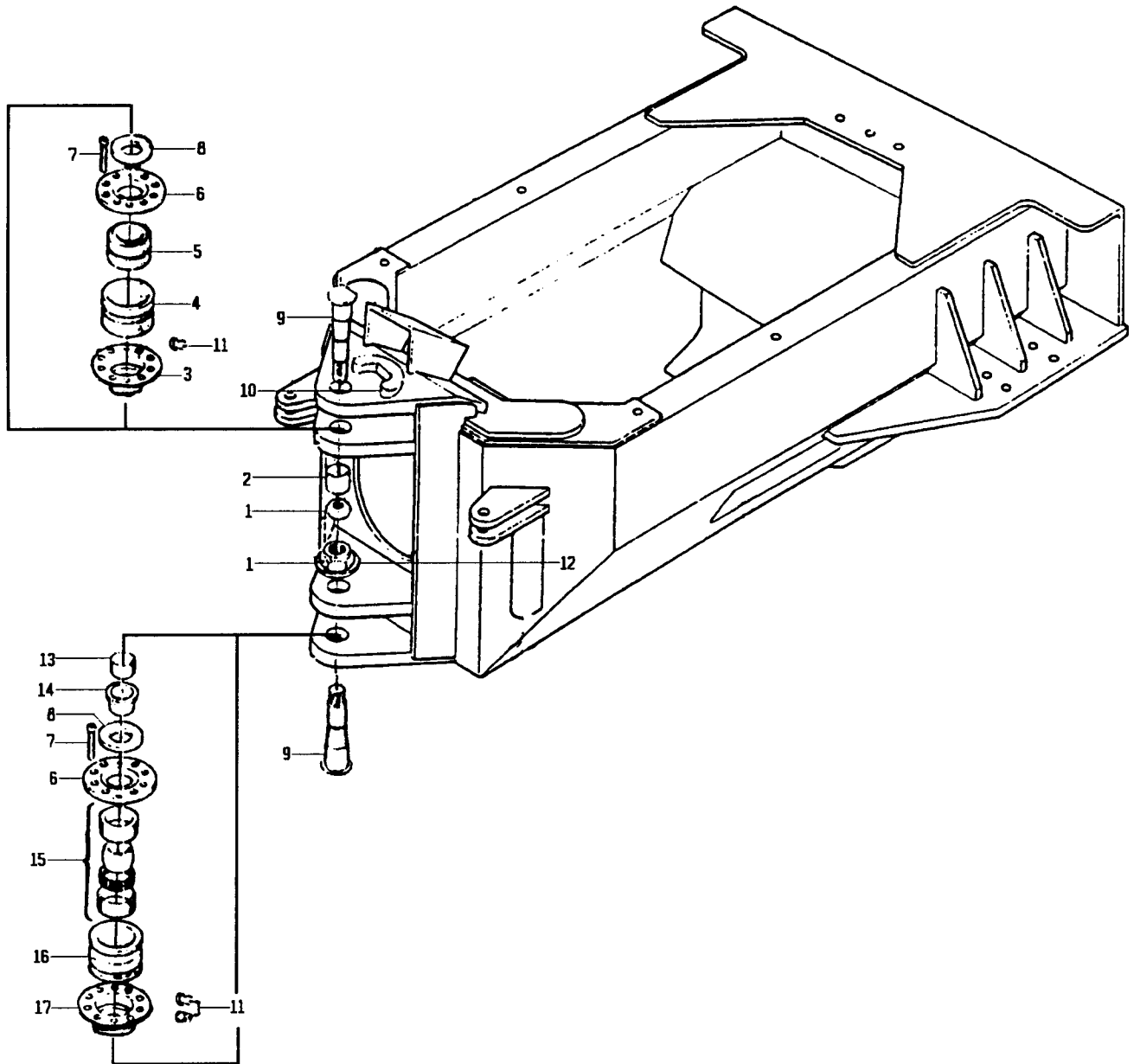
C7D

C8A

REF	AFTERMARKET NO.	DESCRIPTION/COMMENT	QTY
1	3133201	Nut, Castellated - 7/8" UNF	2
2	3233202	Pin	2
3	1173200	Bolt	2
4	4443200	Flat Washer	4
5	1451302	Bushing, Self Aligning - 1.3/4" I.D.	2
6	3373201	Cotter Pin - 5/32" x 2.1/4" Long	2

Manufacturers' names, part numbers and model numbers are for reference purposes only. We do not suggest or imply that any item is that of the original manufacturer. (c) 1995 Aftermarket Parts Inc.





**Tree Farmer Hinge Pin**  
 C6D  
 FB67



## Tree Farmer Hinge Pin

**Model Numbers:**

C6D - Modules 909072 and 90975

FB67 - Modules 909090

REF	AFTERMARKET NO.	DESCRIPTION/COMMENT	QTY
1	3143201	Locknut	2
2	4113204	Sleeve	1
3	4113206	Insert, Upper Sleeve	1
4	1443201	Bushing, Upper	1
5	1451311	Bushing, Self Aligning	1
6	3483201	Retainer	2
7		Bolt, Hex, Socket Head - 1/2" -13 NC	20
8	3953200	Seal, Felt	4
9	3233205	Pin	2
10	3033201	Block, Keeper	1
11	2182900	Fitting, Grease	3
12	4223200	Washer, Belleville	1
13	1443200	Bushing	1
14	4143200	Spacer	1
15	1451312	Bushing, Self Aligning	1
16	1443202	Bushing, Lower	1
17	4113205	Insert, Lower Sleeve	1

Note: C6D G.M. to Serial Number 6905-161.

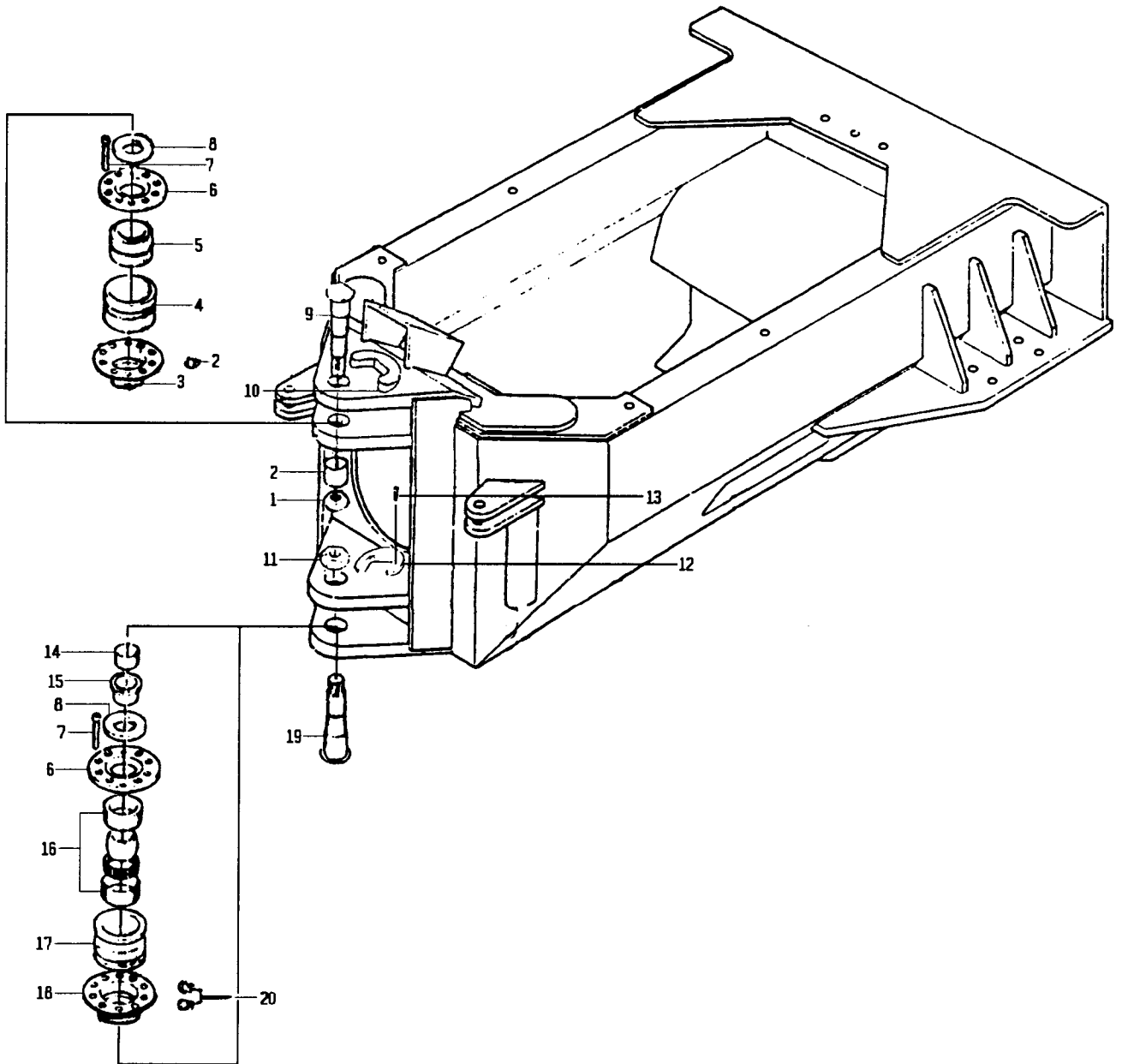
C6D Duetz to Serial Number 6906-172.

Tighten bottom hinge to spec. first, then top.

Manufacturers' names, part numbers and model numbers are for reference purposes only. We do not suggest or imply that any item is that of the original manufacturer. (c) 1995 Aftermarket Parts Inc.







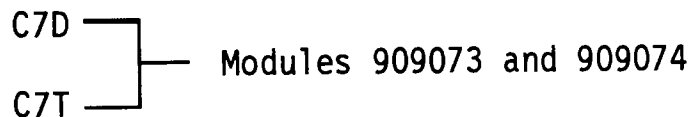
**Tree Farmer Hinge Pin**

C7D  
C7T



# Tree Farmer Hinge Pin

**Model Numbers:**



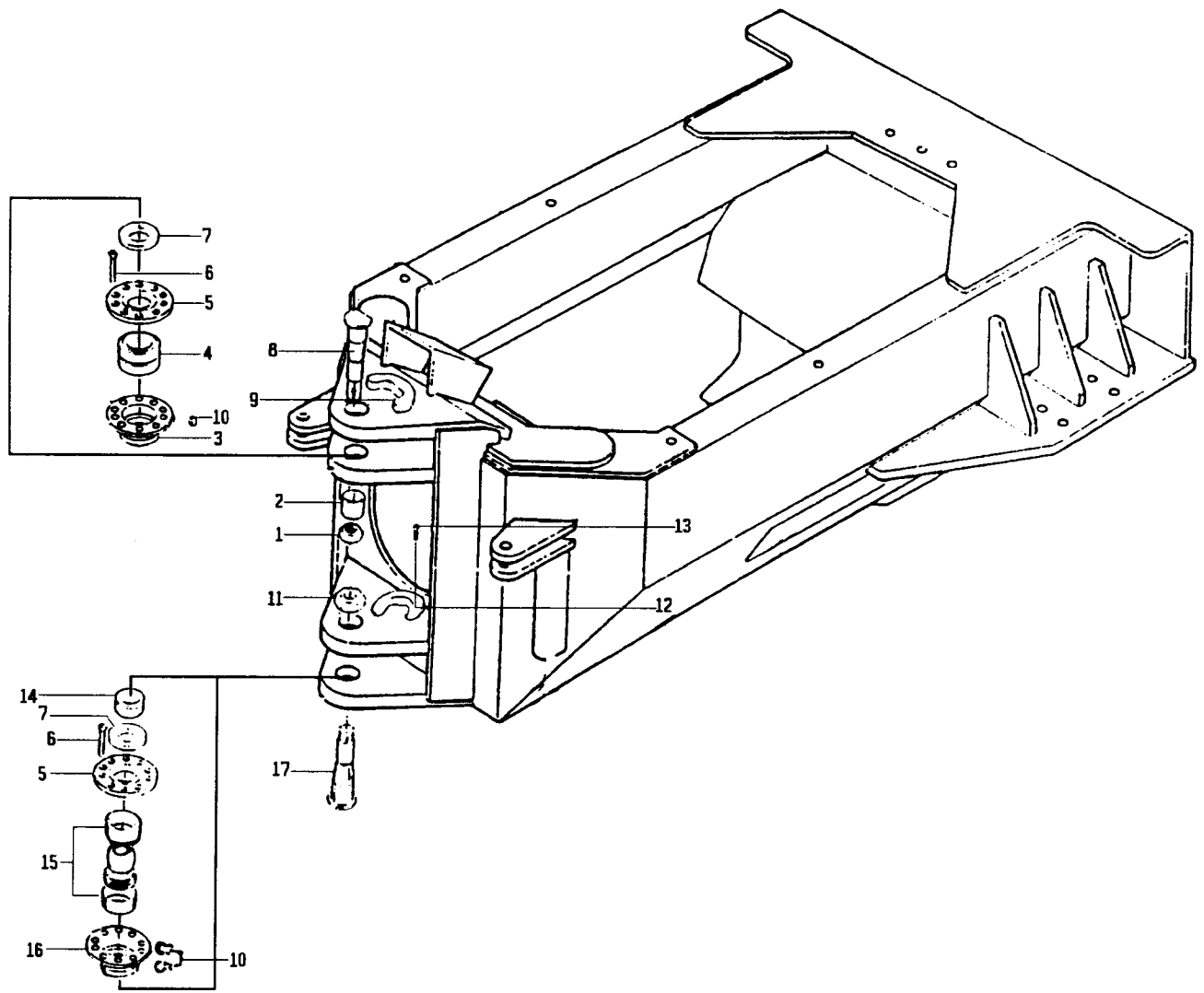
REF	AFTERMARKET NO.	DESCRIPTION/COMMENT	QTY
1	3143201	Locknut	1
2	4113204	Sleeve	1
3	4113206	Insert, Upper Sleeve	1
4	1443201	Bushing, Upper	1
5	1451311	Bushing, Self Aligning	1
6	3483201	Retainer	2
7		Bolt, Hex or Socket Head-1/2"-13 NC	20
8	3953200	Seal, Felt	2
9	3233205	Pin, Upper	1
10	3033201	Block, Keeper	1
11	3143202	Locknut	1
12	3033202	Block, Keeper	1
13		Bolt, Hex Head-3/8"-16 UNC x 1.1/2"	2
14	1443200	Bushing	1
15	4143200	Spacer	1
16	1451312	Bushing, Self Aligning	1
17	1443202	Bushing, Lower	1
18	4113205	Insert, Lower Sleeve	1
19	3233206	Pin, Lower	1
20	2182900	Fitting, Grease	3

Note: C7D Serial Number 7902-053 and up.  
 C7T Serial Number 7011-001 and up.

Tighten bottom hinge to spec. first, then top.

Manufacturers' names, part numbers and model numbers are for reference purposes only. We do not suggest or imply that any item is that of the original manufacturer. (c) 1995 Aftermarket Parts Inc.





<p><b>Tree Farmer Hinge Pin</b></p> <p>C6D FB67  C7D  C7T  C8C</p>
--

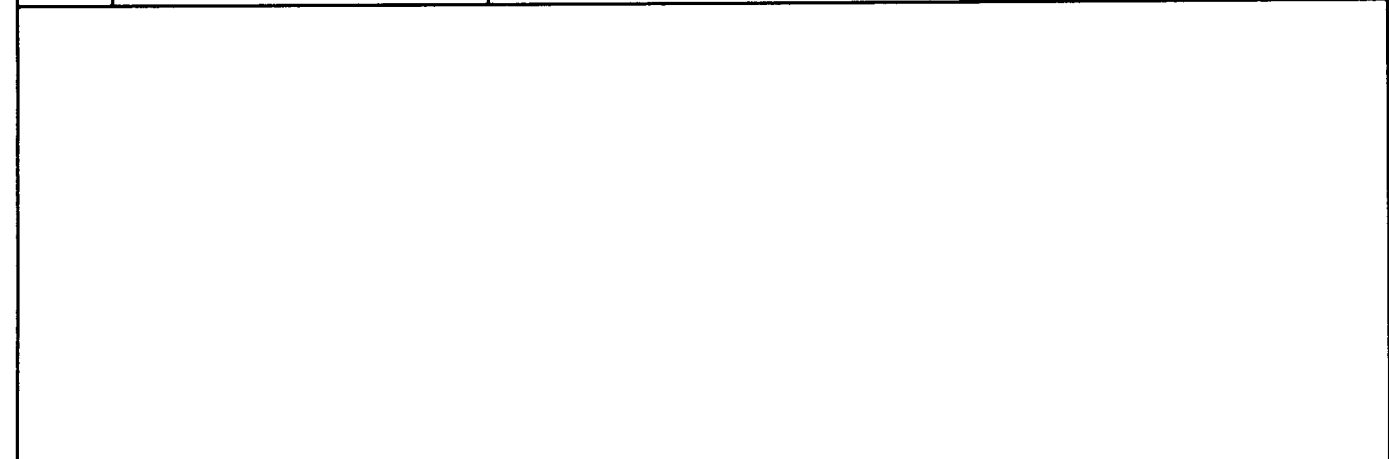


## Tree Farmer Hinge Pin

**Model Numbers:**

C6D - Deutz and GM, Modules 90978 and 909095  
 C7D - GM Module 909096  
 C7T - Deutz Modules 909095 and 909096  
 C7T - GM Modules 909098 and 909089  
 C8C - GM Modules 909077 and 909101  
 FB67 - 909097

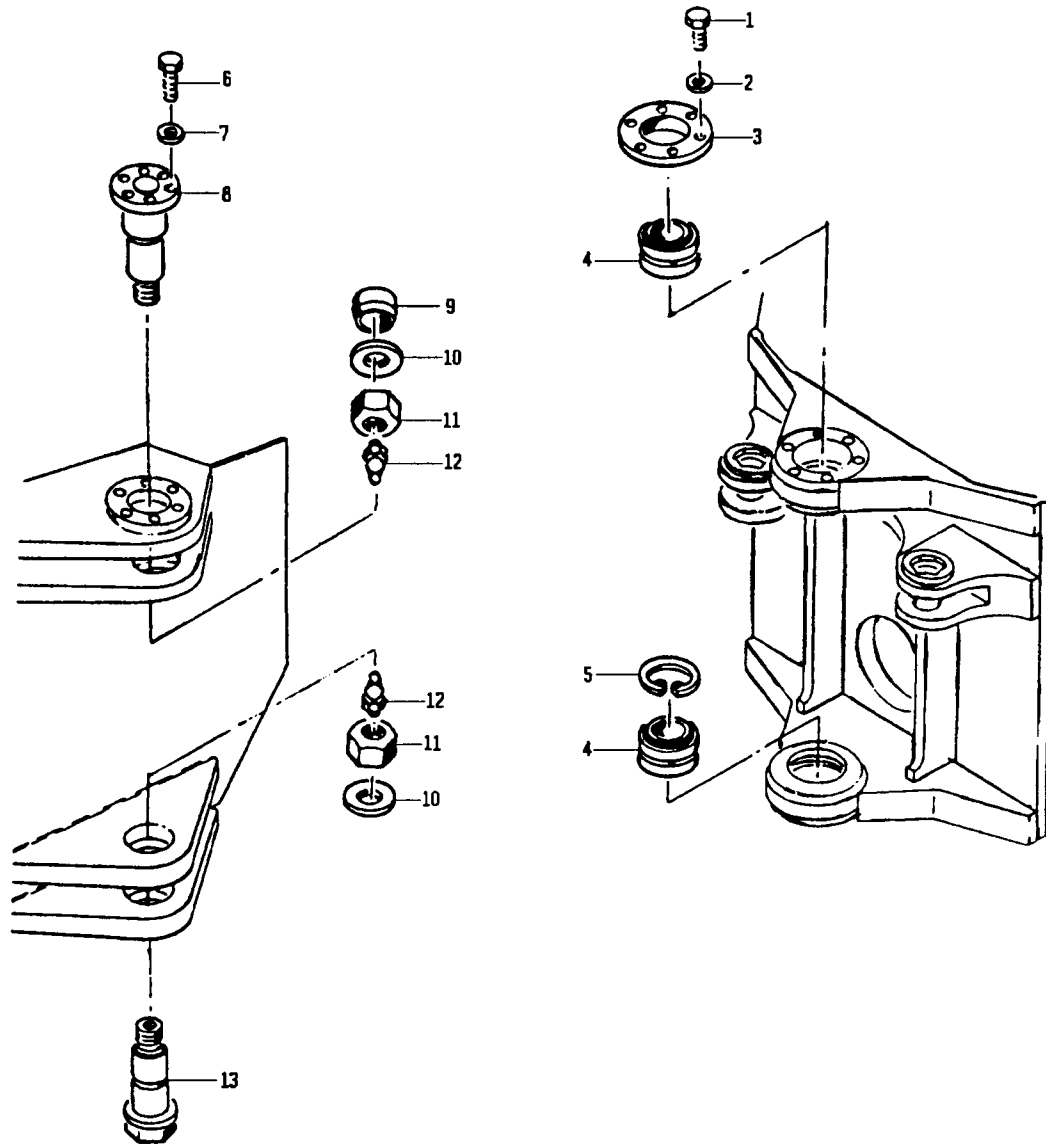
REF	AFTERMARKET NO.	DESCRIPTION/COMMENT	QTY
1	3143203	Locknut	1
2	4113207	Sleeve	1
3	4113208	Insert, Upper Sleeve	1
4	1451313	Bushing, Self Aligning - Upper	1
5	3483202	Cover	2
6		Bolt, Hex or Socket Head - 1/2"-13 UNC x 2.1/2"	20
7	3953200	Seal, Felt	2
8	3233203	Pin, Upper	1
9	3033201	Block, Keeper	1
10	2182900	Fitting, Grease	3
11	3143204	Locknut	1
12	3033202	Block, Keeper	1
13	1173201	Bolt, Countersunk - Socket Head	1
14	4143201	Spacer	1
15	1451314	Bushing, Self Aligning - Bottom	1
16	4113209	Insert, Lower Sleeve	1
17	3233204	Pin, Lower	1



Manufacturers' names, part numbers and model numbers are for reference purposes only. We do not suggest or imply that any item is that of the original manufacturer. (c) 1995 Aftermarket Parts Inc.







**Hydro-Ax Hinge Pin**

- 411
- 511
- 611



# Hydro-Ax Hinge Pin

## Model Numbers:

411

511

611

REF	AFTERMARKET NO.	DESCRIPTION/COMMENT	QTY
1	3/8" -16 X 1.1/4"	Cap Screw, Hex Head (Gr.8)	6
2	3/8	Flatwasher	6
3	3644000	Retainer, Bearing	1
4	1451304	Bushing, Self Aligning - 2.1/4" I.D.	2
5	3684000	Ring, Snap	1
6	3/8" -16 X 1.1/2"	Cap Screw, Hex Head (Gr.8)	6
7	3/8"	Flatwasher	6
8	3234000	Pin, Hinge	1
9	4144000	Spacer, Hinge Pin	1
10	4454000	Washer	2
11	3142300	Locknut	2
12	2184000	Fitting, Grease - 90°	2
13	3234001	Pin, Hinge	1

Manufacturers' names, part numbers and model numbers are for reference purposes only. We do not suggest or imply that any item is that of the original manufacturer. (c) 1995 Aftermarket Parts Inc.

