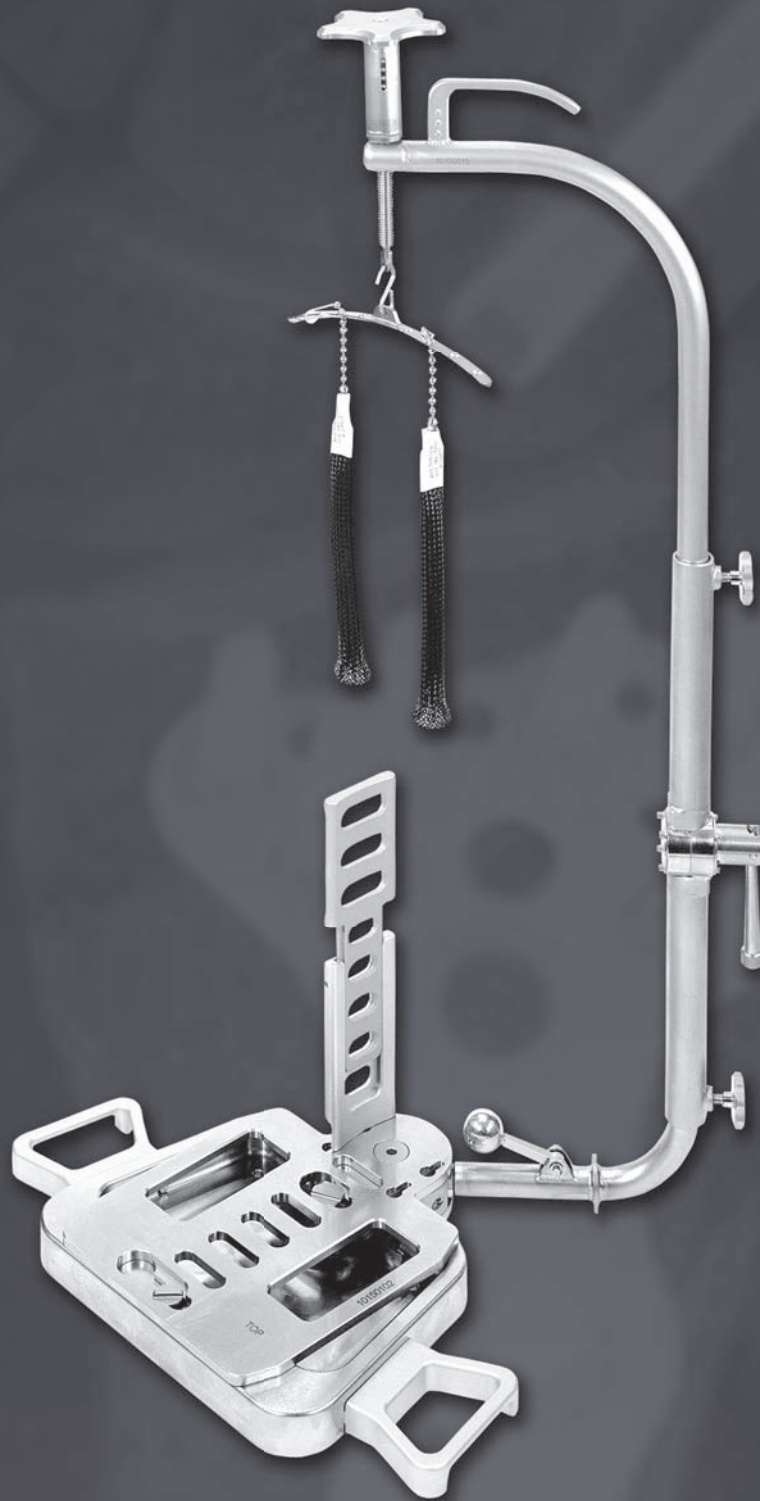


AETUMED®

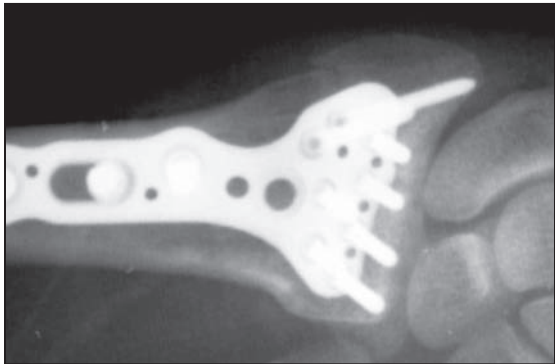


Arc Wrist Tower

For Wrist Arthroscopy And Fracture Reduction

Arc Wrist Tower

Since 1988, Acumed has been designing solutions to the demanding situations facing orthopaedic surgeons, hospitals and their patients. Our strategy has been to know the indication, design a solution to fit, and deliver quality products and instrumentation.



The ARC Wrist Tower is a prime example of form following function.

Designed for treatment of both soft tissue injuries and fractures of the wrist, the ARC Wrist Tower provides stable traction with virtually unrestricted access to the wrist during arthroscopic procedures and fracture reduction techniques.

The tower achieves and maintains traction with ease, while allowing the surgeon better access to the wrist from a number of angles. The tower can be maneuvered to enhance fluoroscopic imaging, making it easier to evaluate reduction and the subsequent placement of hardware.

Providing an “extra set of hands” that can be valuable in the OR, the ARC Wrist Tower is an invaluable assistant to both the surgeon and surgical staff alike.

Key Indications Include:

- Diagnostic Wrist Arthroscopy
- Arthroscopic Management of Wrist Injuries
- Distal Radius Fractures (intra-articular)
- Scaphoid Reduction and Fixation
- Ulnar Shortening



Proper diagnosis and treatment of wrist injuries can often be challenging. When surgical equipment imposes limitations upon the surgeon and surgical staff, these challenging procedures can become frustrating and may consume an unnecessary amount of valuable OR time.

With the advent of the ARC Wrist Tower, Acumed equips hospitals and surgery centers with an innovative solution that vastly improves the ease of visualizing, identifying and treating a wide spectrum of injuries in the wrist.

Designed by William B. Geissler, M.D., the ARC Wrist Tower provides stable traction with virtually unrestricted access to the wrist during arthroscopic and fracture reduction procedures. The tower can be easily maneuvered to allow fluoroscopic imaging, and can be tilted or rotated down to a horizontal position to support management of fractures.

Ability to Obtain Both Horizontal and Vertical Scoping

The ARC Wrist Tower provides traction in the vertical position for wrist arthroscopy and may be rotated to a horizontal position to aid in the treatment of distal radius and other hand and wrist fractures.



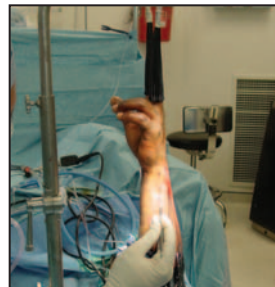
Exceptional Surgical and C-arm Access

The tower support arm swivels 180° about the patient's elbow and forearm. Rotating the support arm allows greater access on the ulnar side, simultaneous volar and dorsal access for the surgeon and instruments, as well as fluoroscopic imaging from any angle.



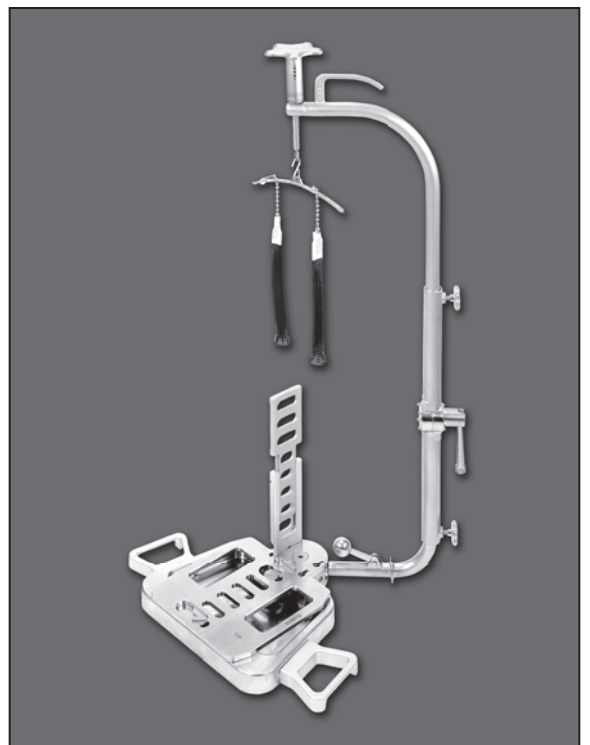
Extra Set of Hands

The tower stabilizes the forearm, which provides an extra set of hands in the operating room. This allows hospitals and surgery centers to better manage operating costs through a more efficient utilization of available surgical staff.



Additional Features:

- Spring Scale Capable of 0-30lbs of Traction
- Adjustable Forearm Plate
- Allows 3 Degrees of Freedom Positioning of Patient's Wrist
- Swivels 180° for Surgical and C-arm Access
- Fitted Finger Traps (Sm-XI)



Tower In Action



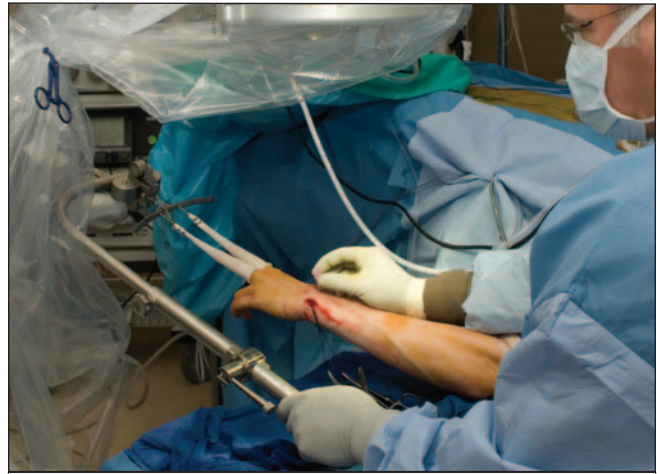
Vertical Scoping



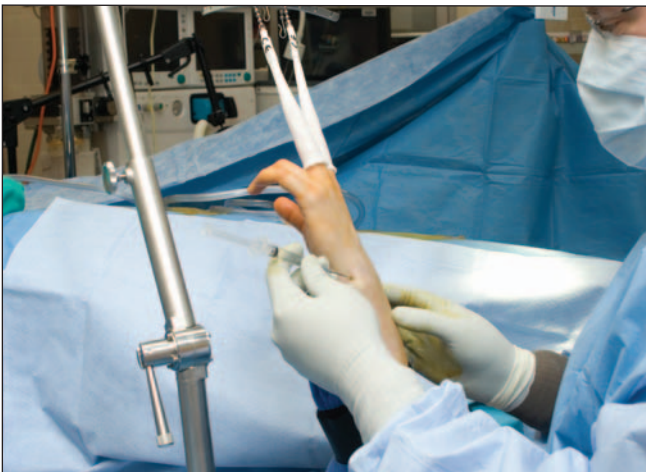
Horizontal Scoping



Exceptional Surgical Access



Versatile Fluoroscopic Imaging



Extra Set of Hands



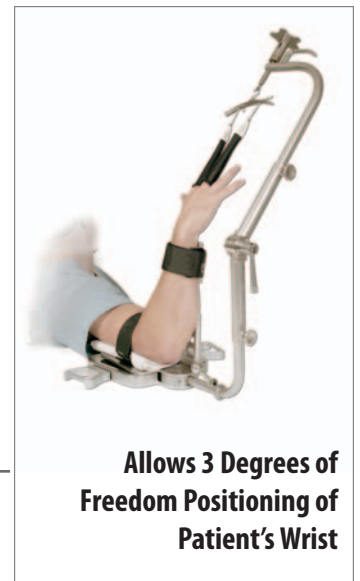
Ulnar Side Access

Features

Spring Scale
Capable of 0-30lbs
of Traction

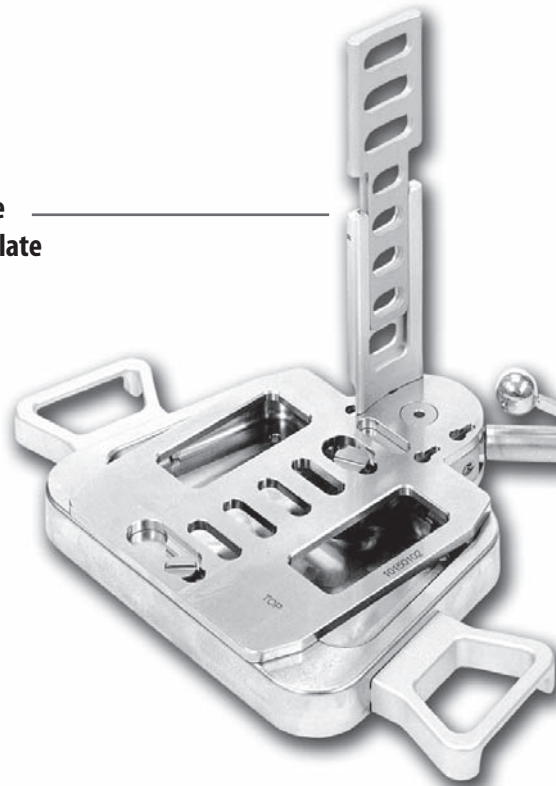


Fitted Finger Traps



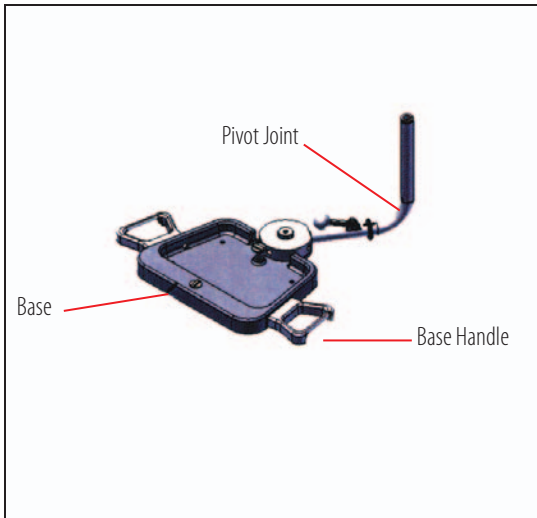
Allows 3 Degrees of
Freedom Positioning of
Patient's Wrist

Adjustable
Forearm Plate



Swivels 180° for
Surgical and
C-arm Access

Assembly Instructions



*Make sure all parts of the ARC Wrist Tower are cool to touch prior to assembly.

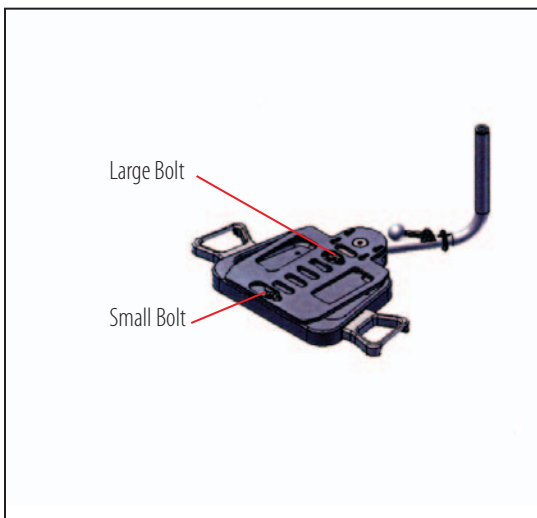
STEP 1:

Assemble the two Base Handles onto the Base. Place the Base on the hand table. Set the Pivot Joint subassembly onto the hole in the Base as shown.



STEP 2:

Place the Upper Arm Plate on the Base over the extrusion on the Pivot Joint and over the two shoulder bolts on the Base. Shift the Upper Arm Plate counterclockwise on the Base.



STEP 3:

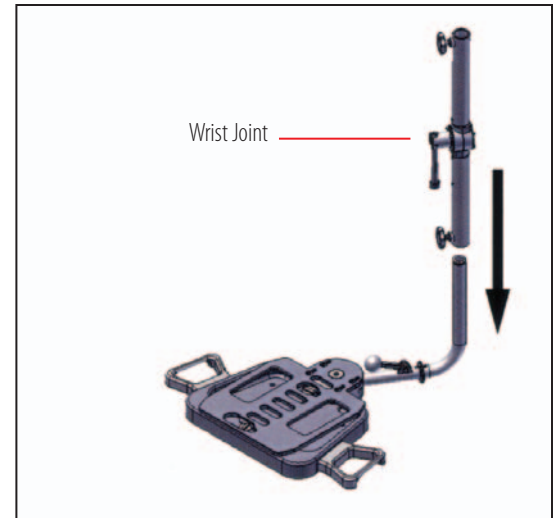
Rotate the Upper Arm Plate clockwise until the head of the smaller bolt is above the small circular depression in the Upper Arm Plate.

Important: HAND TIGHTEN both bolts. Do Not use mechanical instruments (e.g. pliers) to tighten bolts.

Assembly Instructions

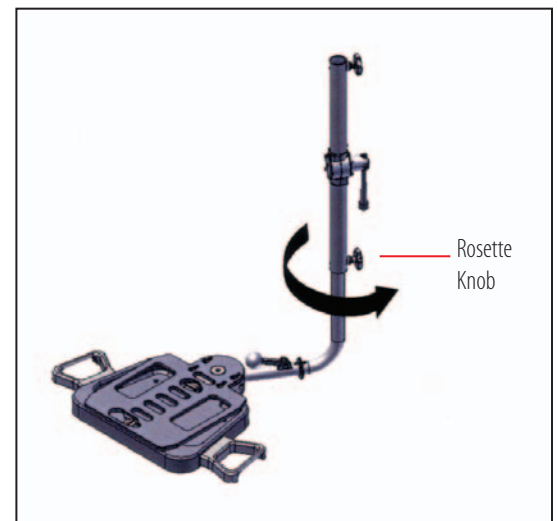
STEP 4:

Place the Wrist Joint over the Pivot Joint tube. Align the pin on the inside of the Wrist Joint tube with the short slot on the Pivot Joint. Slide it down approximately 1/4" until it stops.



Step 5:

Rotate the Wrist Joint subassembly 180° and slide it down the tube. Lock the height with the Rosette Knob



STEP 6:

The Upper Arc is assembled to the Wrist Joint in the same manner as in Step 4. However, in this step, the Upper Arc will be pointing away from the device.

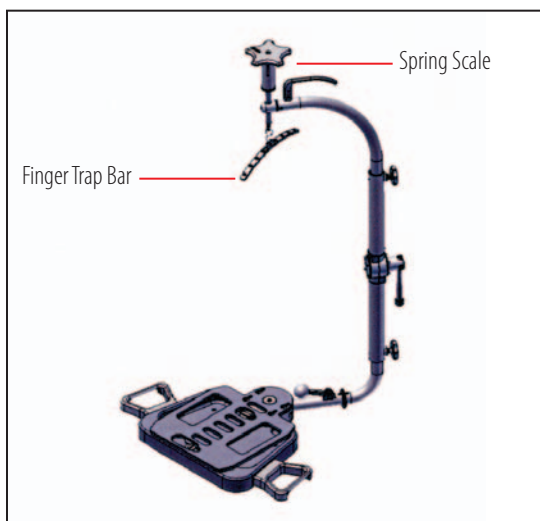


Assembly Instructions



STEP 7:

Like Step 5, rotate the Upper Arc 180° into the correct orientation, slide it down, and lock the height with the Rosette Knob.



STEP 8:

Screw the Spring Scale through the threaded hole on the Upper Arc until it bottoms out. This will allow a maximum range of distraction. Hook the Finger Trap Bar onto the bottom of the Spring Scale.

Assembly Instructions

STEP 9:

The Base Plate should be evaluated for residual heat if it has been recently sterilized.

Prior to positioning the patient's arm in the tower place a towel or pad on the Base. Place the patient's arm on the Wrist Tower. Strap the arm at the elbow to the Upper Arm Plate using the long (36") disposable Arm Strap. The Arm Strap for holding the arm to the Base Plate goes through the base and not around the table. Secure the strap close to the elbow to minimize lift of the elbow during traction.

Note: If needed, sterile saline may be used to cool the device.

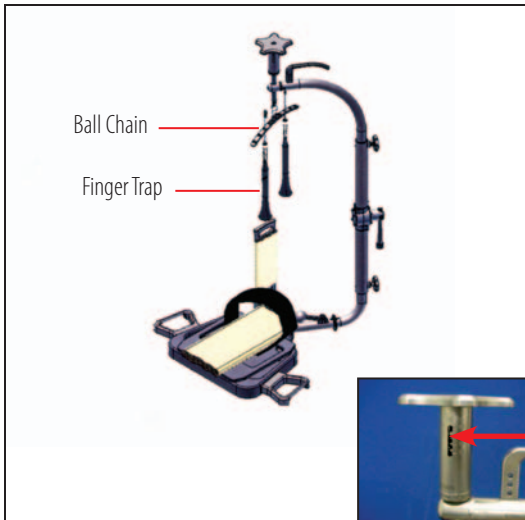
STEP 10:

The Sliding Forearm Support is connected to the Base Plate on the ulnar side of the forearm. A towel placed between the Sliding Forearm Support and the patients forearm helps cushion the skin.

Raise the support to the desired position. Use the small (24") Arm Strap to secure the forearm to the Sliding Forearm Support.



Assembly Instructions



STEP 11:

Position the Wrist Joint to line up with the patient's wrist by adjusting the lower Rosette Knob. Place the desired Finger Traps on the patient and lock the Ball Chains into the Finger Trap Bar.

Note: The amount of traction applied is indicated by the bottom edge of the disk within the Spring Scale.

TIPS AND PEARLS:

1. The Base Plate should be evaluated for residual heat if it has been recently sterilized. Sterile saline may also be used to cool the device if needed.
2. The shoulder bolts on the Base Plate only need to be hand tight. The bolts are designed to lock and release with little rotation. Avoid over-rotating the Bolts.
3. Strap the arm to the upper Arm Plate as close to the elbow as possible. The Arm Strap is wrapped around the holes in the Arm Plate. The Upper Arm Strap will go over the sterile tourniquet.
4. Apply manual traction to the wrist by pulling down on the Finger Trap Bar, then place the Ball Chain in the Finger Trap Bar. This is faster than unscrewing the Spring Scale to obtain traction. Use the Spring Scale to make fine adjustments.

Ordering Information

| ARC Wrist Tower | |
|--|----------------|
| (Includes ARC Wrist Tower, Trays, 1 set of Arm Straps and 1 set of Sm, Med, Lg & XL Finger Traps) | 10100000 |
| Individual Pieces | |
| Small Finger Trap (2 ea.) | 10170051 |
| Medium Finger Trap (2 ea.) | 10170052 |
| Large Finger Trap (2 ea.) | 10170053 |
| X-Large Finger Trap (2 ea.) | 10170054 |
| Arm Strap Set (Includes 1 Forearm & 1 Upper Arm Strap) | 10170060 |
| Rental Pieces | |
| Tower Rental - Single Case (Includes usage of Tower, 1 set of Finger Traps (all sizes) and 1 set of Arm Straps) | Rental Fee - S |
| Tower Rental - One Week (Includes usage of Tower, 1 set of Finger Traps (all sizes) and 1 set of Arm Straps) | Rental Fee - W |
| ARC Wrist Tower Component Pieces | |
| Spring Scale | 10100016 |
| Finger Trap Bar and S-Hook | 10100017 |
| Upper Arc | 10100015 |
| Rosette Knob | 10150143 |
| Sliding Forearm Support | 10100019 |
| Pivot Joint Subassembly | 10100013 |
| Base | 10100010 |
| Base Handle | 10100018 |
| Wrist Joint Subassembly | 10100014 |
| Upper Arm Plate | 10150102 |
| Trays (both are included) | 10100002/3 |



ACUMED®

5885 NW Cornelius Pass Road

Hillsboro, OR 97124

(888) 627-9957

www.acumed.net

Distributed by:

HNW00-00-A

Effective: 1/2009