

Date: \_\_\_\_\_ Customer: \_\_\_\_\_  
 Project: \_\_\_\_\_  
 Type: \_\_\_\_\_ Qty: \_\_\_\_\_



## Arca LED Gen5



Order Code: ACL - - - - -

Pole Order Code: \_\_\_\_\_  
 Series \_\_\_\_\_ Height \_\_\_\_\_ Finish \_\_\_\_\_ HC Helicoil Pair \_\_\_\_\_ Options \_\_\_\_\_ Helicoil Locations \_\_\_\_\_

<u>ACL</u>	Series	ACL Arca LED					
	Optics	R1 Type I	R2 Type II	R3 Type III	R4 Type IV	R5R Type V (Round)	R5S Type V (Square)
	Mounting	S1 Single	S2 Double	SBX <sup>1</sup> Sistema Mount	W Wall Mount	* Max 4 heads (SB4)	
	Light Engine	5G1350 Single LED 24W/2520lm	5G1530 Single LED 36W/3540lm	5G1800 Single LED 54W/5346lm	5G2350 <sup>2</sup> Double LED 48W/5040lm	5G2530 <sup>2</sup> Double LED 72W/6558lm	5G2800 <sup>2</sup> Double LED 100W/9900lm
	CCT	27 <sup>3</sup> 2700K	30 <sup>3</sup> 3000K	40 4000K	* For other CCT please consult factory <sup>3</sup> 2700K and 3000K IDA approved		
	Finish	WH White	BK Black	BL Semi-Matte Black	BZ Bronze	SV Silver	SP Specify Premium Color
	Voltage	120 120V	240 240V	277 277V	347 <sup>4,5</sup> 347V	480 <sup>4,5</sup> 480V	<sup>4</sup> 5G1350, 5G1530, 5G1800, 5G2350 come with step-down transformer in handhole <sup>5</sup> S2-5G2350, S2-5G2530, and S2-5G2800 come with stepdown transformer in handhole
	Options	DM <sup>7</sup> Dimming (0-10V)	HS <sup>6</sup> House Side Shield	<sup>6</sup> Type I, II, III, and IV only <sup>7</sup> DM, or TLR only. Cannot be combined.			

### Product Modifications

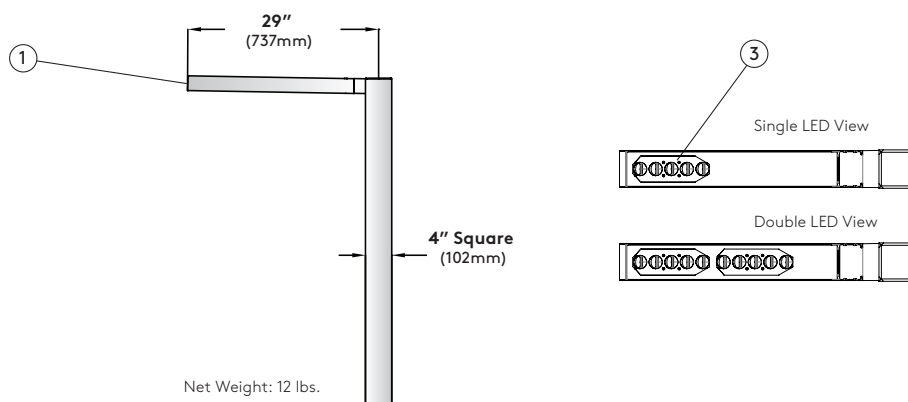
Please list modification requirements for review by factory:

### Approvals



Date: \_\_\_\_\_

## ACL-R2-S1



## Specifications

**1. Luminaire Cover** - Two piece high pressure die cast housing, made of low copper aluminum alloy. Toolless latch allows easy access to light engine and gear tray components.

**2. Gasketing** - (not shown) UV and ozone-resistant, silicone gasket between fixture housing and lens base provide IP65 level ingress protection.

**3. LED Array** - High Flux LEDs mounted to metal core PCB and attached to external heat sink for maximum LED performance and life. CCT tolerance within a 3-step bin and provided with a minimum CRI of 80. LED array has a reported lumen maintenance of 93% at 50,000 hours. L70 calculated greater than 100,000 hours. Exposed face rated to IP65.

**4. LED Optics** - Technical Optics (R1, R2, R3,R4, R5S, and R5R) use Selux signature light pattern acrylic lens holder to secure proprietary silicone optics. Internal micro house side shield available for distributions types I, II, III and IV.

**5. LED Driver** - LEDs are driven by RoHS compliant constant current programmable LED driver. Driver includes 0-10V dimming to 10%, meets the requirements of IP66.

**6. Surge Protection** - (not shown) Designed to protect luminaire from electrical surge (20kA).

**7. Power Cord** - (not shown) Pre-installed at factory. Power cords are specified to fit the length of the pole specified with the luminaire.

**Exterior Luminaire Finish** - Selux utilizes a high quality Polyester Powder Coating. All Selux luminaires and poles are finished in our Tiger Drylac certified facility and undergo a five stage intensive pretreatment process where product is thoroughly cleaned, phosphated and sealed. Selux powder coated products provide excellent salt and humidity resistance as well as ultraviolet resistance for color retention. All products are tested in accordance with test specifications for coatings from ASTM and PCI. Standard exterior colors are White (WH), Black (BK), Semi-Matte Black (BL) Bronze (BZ), and Silver (SV). Selux premium colors (SP) are available, please specify from your Selux color selection guide.

**5 Year Limited LED Luminaire Warranty** - Selux offers a 5 Year Limited Warranty to the original purchaser that the Arca LED luminaire shall be free from defects in material and workmanship for up to five (5) years from date of shipment. This limited warranty covers the LED driver and LED array when installed and operated according to Selux instructions. For details, see "Selux Terms and Condition of Sale."

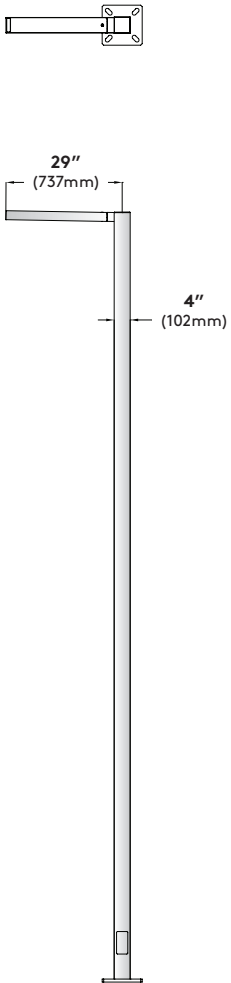
**Listings and Ratings:** Luminaire and LED tested to IP65 and IESNA LM-79-08 standards. LED tested to LM-80 standards. Luminaire and LED tested at 25°C ambient temperature. ARCA LED suitable for ambient temperatures of 40°C (104°F). Minimum operating temperature of luminaire at -40°C (-40°F). NRTL Listed for wet location (i.e. UL, CSA) Visit selux.us for our LED End of Life recycling policy.

**NRTL Listed (i.e. UL, CSA)**

**For Buy American compliance on poles, please consult the factory.**

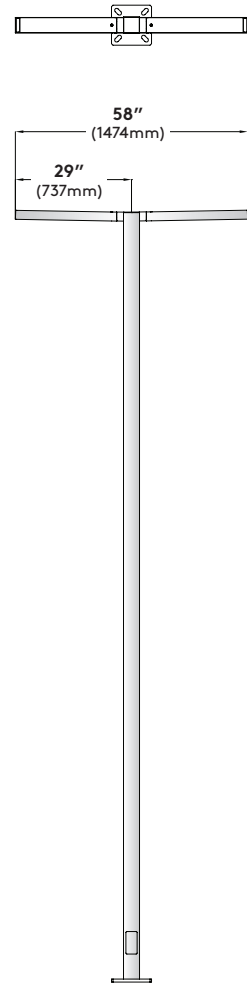
Mounting

**Single (S1)**  
Single pole top mount  
(Helicoil Location: 0B)



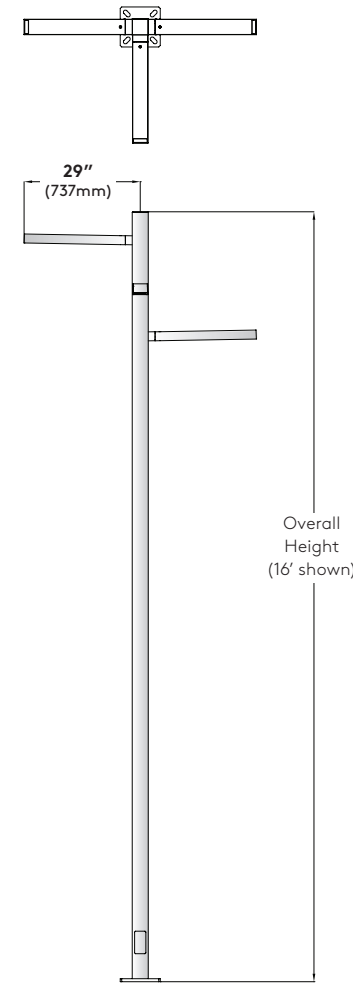
EPA Weight = 12 lbs.  
**EPA**  
0.57ft<sup>2</sup>

**Double (S2)**  
Double pole top mount  
(Helicoil Location: 0B-0D)



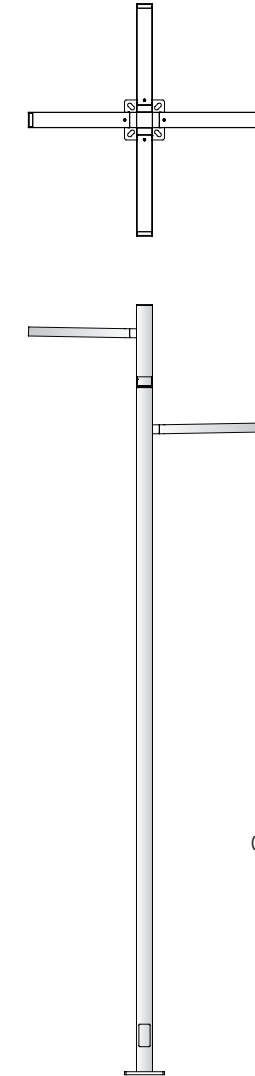
EPA Weight = 24 lbs.  
**EPA**  
1.14ft<sup>2</sup>

**Triple (SB3)**  
Die cast aluminum Sistema lateral  
bracket secured in pole side.  
(Helicoil Location: 1B-2A-3D)



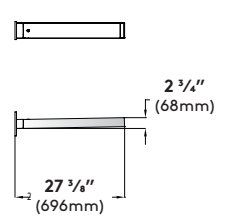
EPA Weight = 36 lbs.  
**EPA**  
1.23ft<sup>2</sup>

**Quadruple (SB4)**  
Die cast aluminum Sistema lateral  
bracket secured in pole side.  
(Helicoil Location: 1B-2A-3D-4C)

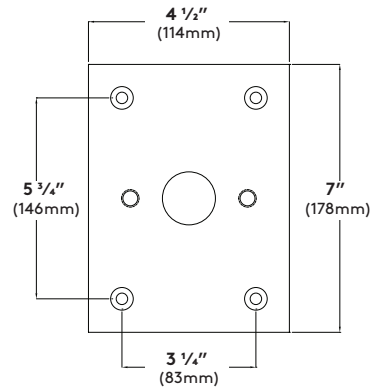


EPA Weight = 48 lbs.  
**EPA**  
1.64ft<sup>2</sup>

**Wall Mount (W)**  
Die cast aluminum single  
luminaire mount and  
steel mounting plate  
secured to wall with 1/4 inch  
flat head screws.

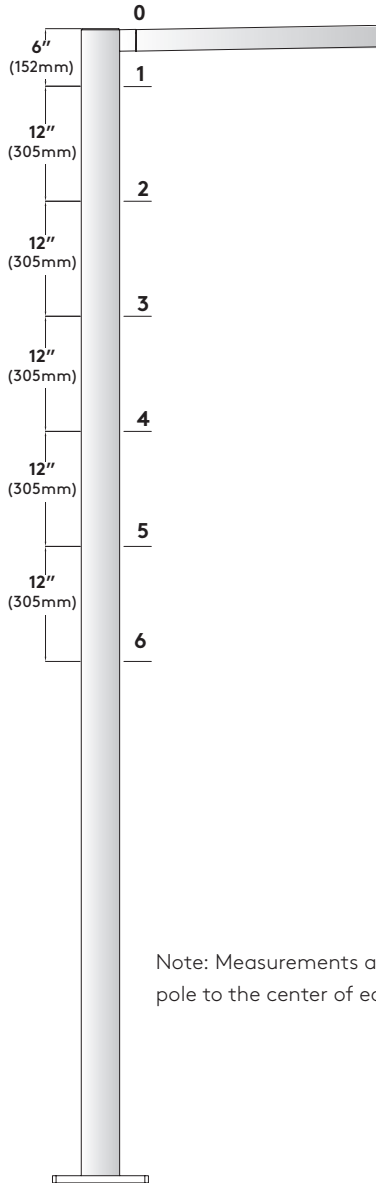


**Wall Mounting Detail**  
(Conduit and mounting hardware  
by others).



EPA Weight = 12 lbs.  
**EPA**  
0.59ft<sup>2</sup>

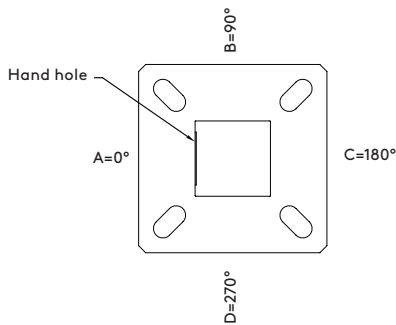
**Mounting Detail**



Mounting Configuration							
Height Code	0	1	2	3	4	5	6
Distance from Top of Pole	0.0'	0.5'	1.5'	2.5'	3.5'	4.5'	5.5'
Angular Location Code	Clockwise From Handhole						
A	0°						
B	90°						
C	180°						
D	270°						

\*No Luminaire Below 7.5'

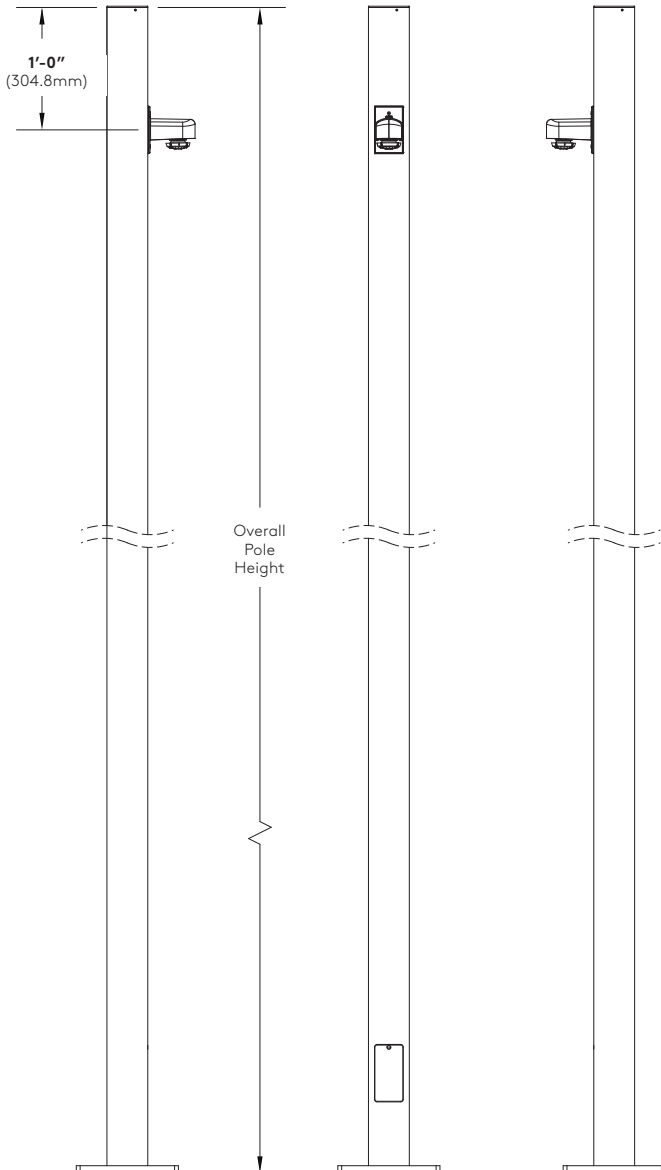
Note: Measurements are from the top of the pole to the center of each fixture



### Square Pole Motion Sensor

The Selux outdoor rated sensor incorporates Passive Infrared (PIR) Technology for motion sensing and also includes built-in photocell. Sensor comes pre-installed in cast aluminum housing painted to match pole finish.

Series	Hand Hole Orientation	Dim Level	Photocell Feature	Voltage
<b>MS</b> Motion Sensor (270° coverage)	<b>00</b> 0° Clockwise from Hand Hole	<b>D0</b> (Off)	<b>Y</b> Yes	<b>UNV</b> (120-277V)
	<b>09</b> 90° Clockwise from Hand Hole	<b>D1</b> (1V=10%)		<b>347*</b> (347V)
	<b>18</b> 180° Clockwise from Hand Hole	<b>D3</b> (3V=30%)	<b>N</b> No	<b>480*</b> (480V)
	<b>27</b> 270° Clockwise from Hand Hole	<b>D5</b> (5V=50%)		*consult factory for 347V and 480V



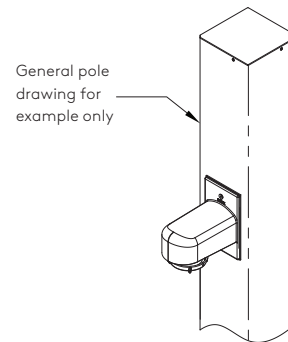
#### Factory Defaults:

Delay to Dim: 5 minutes

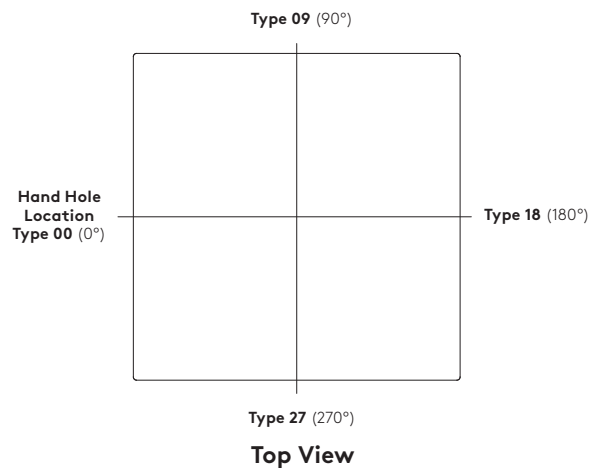
Delay to Off: 1 hour

Sensitivity: Max

Custom Programming: Consult Factory



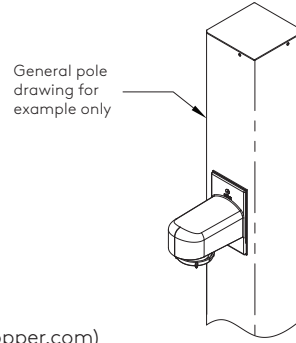
Sensor angular orientation from hand hole 0°  
90° increments clockwise around pole (Type 00, 09, 18, 27)



### Motion Sensor Features

- Customize programming using handheld wireless remote control (FSIR-100) sold separately (by others)
- 5 Year Warranty
- 100% Digital PIR Detection, excellent RF Immunity
- 270° coverage pattern
- IP66 Rated for outdoor applications
- Made for LED light source
- Adjustable time delays, max/min dim levels, and ramp rates
- Suitable for Title 24 applications

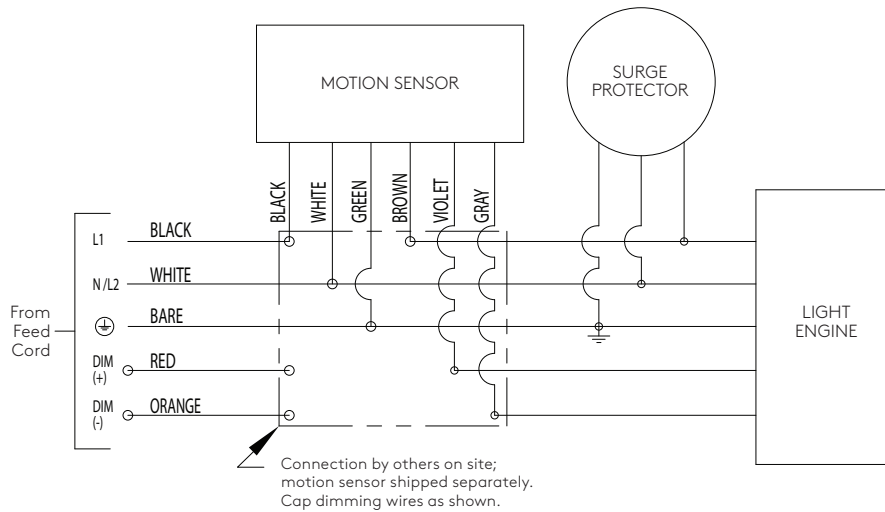
(For coverage details refer to wattstopper FSP-211 spec sheet at [www.wattstopper.com](http://www.wattstopper.com))



FSIR-100 (remote)

**Sold Separately  
(by others)**

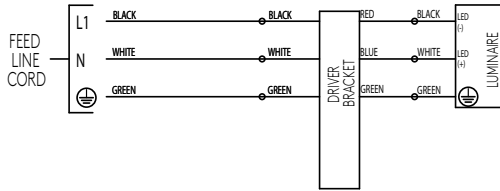
### Motion Sensor Option (MS) Wiring (120V-277V)



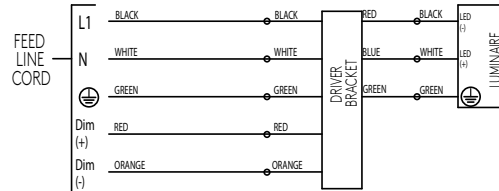
Wire Designation Table		
Source Voltage (VAC)	Wire Color	Wire Designation
UNV (120V-277V)	Black	L1
	White	Neutral (120V/277V or 208V/240V)

**Arca LED Gen5 5G2 — Single LED Module Wiring**

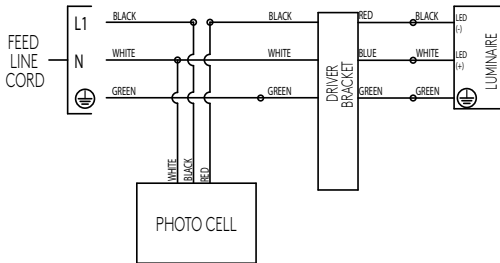
**Standard Wiring**



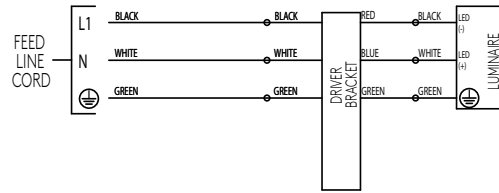
**0-10V Dimming Option (DM) Wiring**



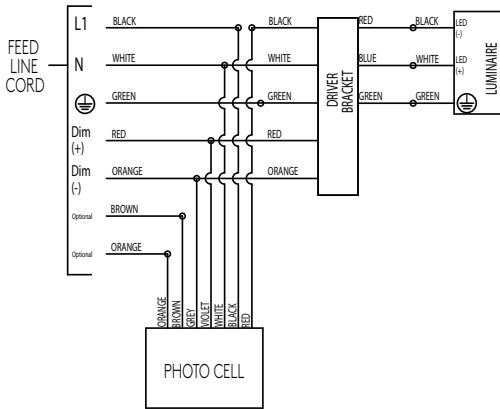
**Photocell Wiring**



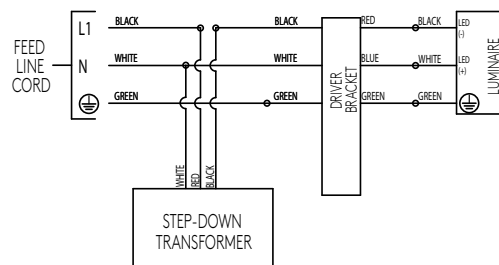
**347/480V Wiring**



**7-Pin Receptacle Wiring**

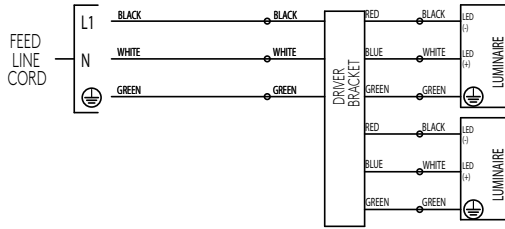


**347/480V with Step-down Transformer Wiring**

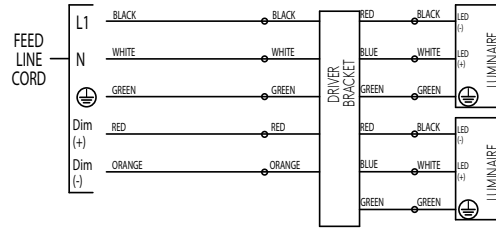


Arca LED Gen5 5G2 — Double LED Module Wiring

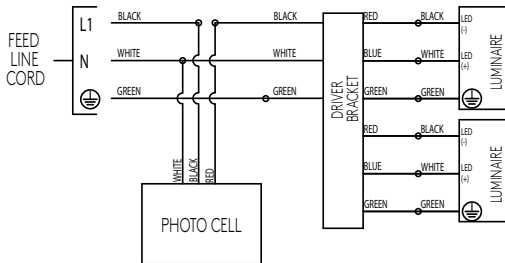
Standard Wiring



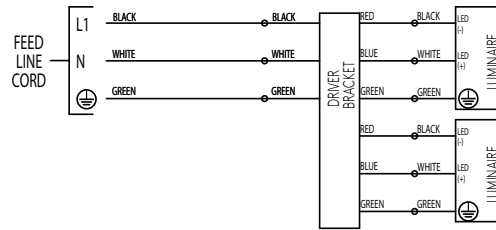
0-10V Dimming Option (DM) Wiring



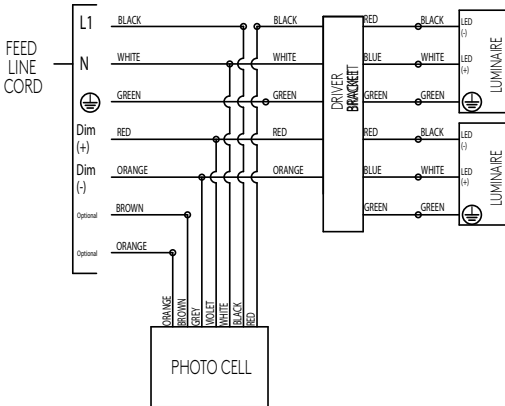
Photocell Wiring



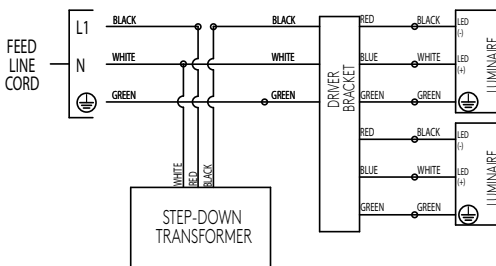
347/480V Wiring



7-Pln Receptacle Wiring

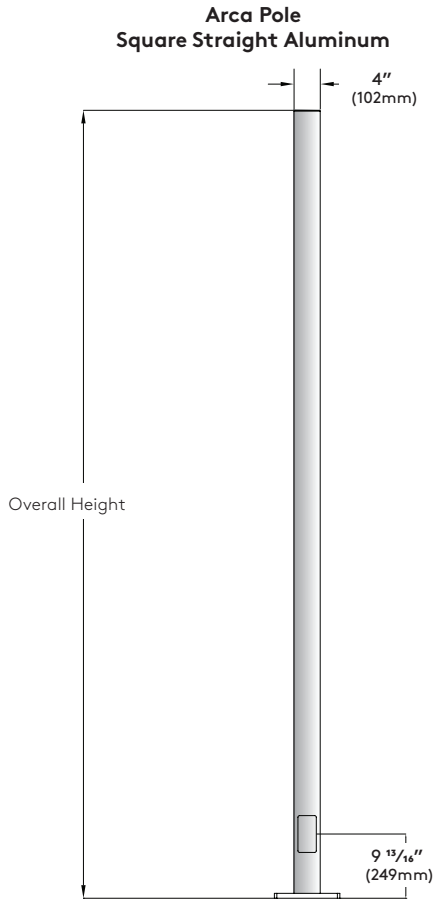


347/480V with Step-down Transformer Wiring



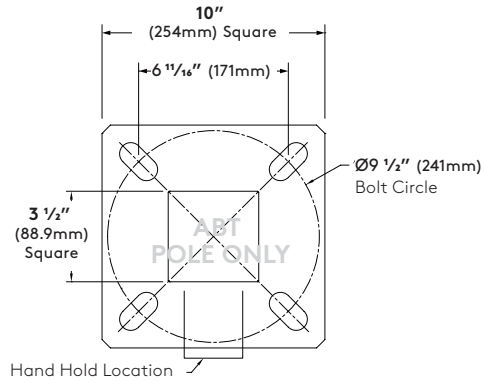


**Pole Information**



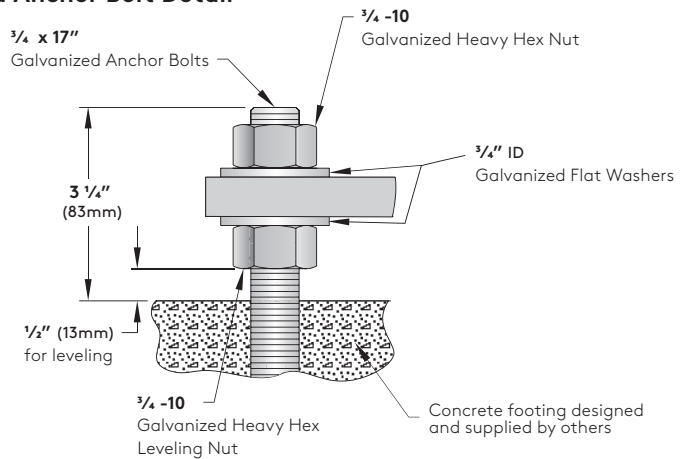
**Arca Bolt Circle Template**

Use caution when setting anchor bolts. Bolts must be vertically straight and centered on dimensions shown.



**Note:** Adequate drainage must be provided in concrete foundation.

**Arca Anchor Bolt Detail**



**Pole Data Chart**

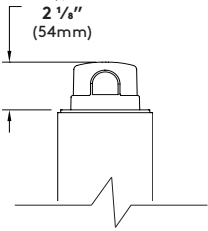
Pole Series	Bolt Circle	EPA Information											Height	Finish	Helicoil Inserts	Options
		Basic Wind Speed (MPH)														
		85	90	100	110	120	130	140	150	160	170	180				
A-A40-250	Ø9 1/2"	19.2	16.7	12.8	10.0	7.8	6.1	4.8	3.7	2.8	2.1	1.5	8	WH White	HC1 1 Pair	BC Base Cover TLR Twist Lock Receptacle with 7-Pin Shorting Cap
		13.7	11.7	8.7	6.4	4.6	3.3	2.2	1.3	0.6	-	-		10	BL Semi-Matte Black	
		9.8	8.1	5.6	3.7	2.2	1.1	-	-	-	-	-	12	BZ Bronze	HC3 3 Pair	TLRLL Twist Lock Receptacle with 7-Pin Lutron Limelight Sensor
		6.7	5.3	3.1	1.5	-	-	-	-	-	-	-	14	SV Silver	HC4 4 Pair	MS Pole Mounted Motion Sensor. See page 5 for order code.
		4.2	3.0	1.0	-	-	-	-	-	-	-	-	16	SP Specify Premium Color		REC GFCI Receptacle with weather-proof cover
		2.0	0.9	-	-	-	-	-	-	-	-	-	18			REC2 GFCI Receptacle with padlockable in-use cover
															REC4 USB & Duplex Receptacle with weatherproof padlockable in-use cover	

Notes:

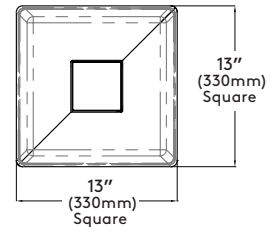
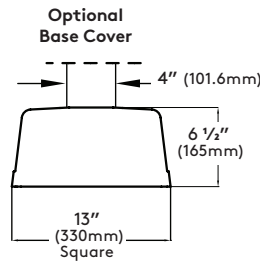
- 1) Maximum EPA ratings certified in accordance with AASHTO 2013 (LTS-6) for 3-s gust wind speeds based on Allowable Stress Design (ASD) analysis
- 2) Consult factory for equivalent Load and Resistance Factor Design (LRFD) wind speeds
- 3) Rated performance is dependant upon the pole being properly attached to a supporting foundation of adequate design

**Optional Accessories**

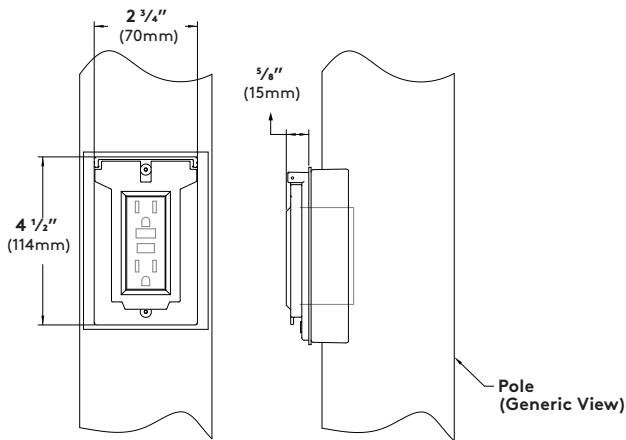
**Photocell (TLRP) - 3-Pin Receptacle with Twist Lock Photocell at top of pole.**



**Base Cover (BC)**

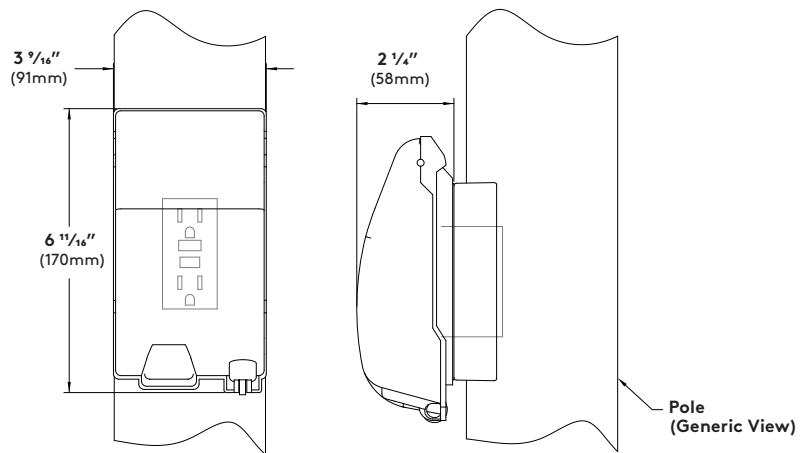


**REC and REC3**



Cover shown in the closed position

**REC2 and REC4**



Cover shown in the closed position

**GFCI Receptacle (REC)** - 120V 15A GFCI duplex receptacle with weatherproof, self-closing cover; located 36" (915mm) o.c. from base of pole, in-line with hand hole. Receptacle is intended only for portable tools or other portable equipment to be connected to outlet only when attended by operating personnel (120V only).

**USB & Duplex Receptacle (REC3)** (not shown) - 120V 20A duplex receptacle with USB combination ports. (1) type A and (1) type C high power 5A, 5V USB outlets. With weatherproof, self-closing cover; located 36" (915mm) o.c. from base of pole, in-line with hand hole. Receptacle is intended only for portable tools or other portable equipment to be connected to outlet only when attended by operating personnel.

REC3 does not incorporate GFCI (Ground Fault Circuit Interrupter) protection, and shall be powered by a GFCI protected branch circuit (by others).

**GFCI Receptacle (REC2)** - 120V 15A GFCI duplex receptacle with weatherproof, self-closing, padlockable in-use cover; located 36" (915mm) o.c. from base of pole, in-line with hand hole. Receptacle is intended only for portable tools or other portable equipment to be connected to outlet only when attended by operating personnel (120V only).

**USB & Duplex Receptacle (REC4)** (not shown) - 120V 20A duplex receptacle with USB combination ports. (1) type A and (1) type C high power 5A, 5V USB outlets. With weatherproof, self-closing padlockable in-use cover; located 36" (915mm) o.c. from base of pole, in-line with hand hole. Receptacle is intended only for portable tools or other portable equipment to be connected to outlet only when attended by operating personnel.

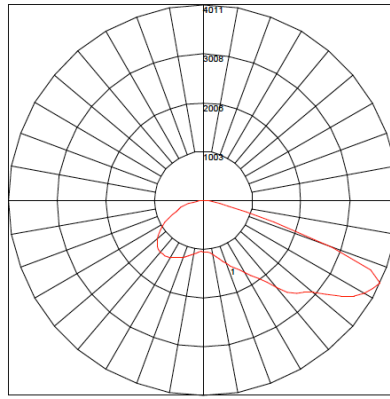
REC4 does not incorporate GFCI (Ground Fault Circuit Interrupter) protection, and shall be powered by a GFCI protected branch circuit (by others).

Arca LED  
Photometry

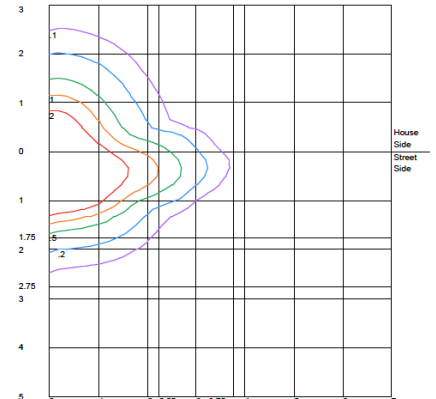


R1 / 61W LED / 3000K CCT

Catalog #: ACL-R1-X-5G2530-30-XX-120  
Report #: 13212221.15  
Delivered Lumens: 7579  
Efficacy: 124  
IES classification: Type II  
Maximum candela of 4011.3 at 65° from vertical  
BUG Rating: B2-U0-G2



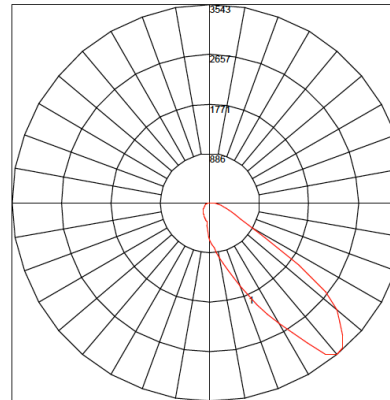
Maximum Candela = 4011.304 Located At Horizontal Angle = 77.5, Vertical Angle = 65  
# 1 - Vertical Plane Through Horizontal Angles (77.5 - 257.5) (Through Max. Cd.)



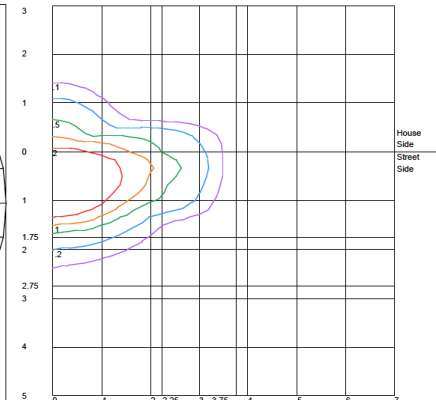
Distance In Units Of Mounting Height  
Values Based On 16 Foot Mounting Height

R1 with HS/ 61W LED / 3000K CCT

Catalog #: ACL-R1-X-5G2530-30-XX-120-HS  
Report #: 13212221.15  
Delivered Lumens: 5247  
Efficacy: 86  
IES classification: Type II  
Maximum candela of 3542.8 at 40° from vertical  
BUG Rating: B2-U0-G1



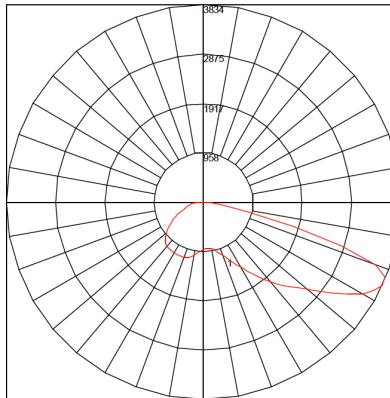
Maximum Candela = 3542.784 Located At Horizontal Angle = 0, Vertical Angle = 40  
# 1 - Vertical Plane Through Horizontal Angles (0 - 180) (Through Max. Cd.)



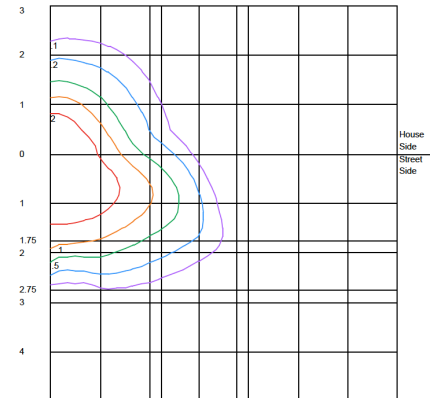
Distance In Units Of Mounting Height  
Values Based On 16 Foot Mounting Height

R2 / 61W LED / 3000K CCT

Catalog #: ACL-R2-X-5G2530-30-XX-120  
Report #: 13212221.17  
Delivered Lumens: 7352  
Efficacy: 121  
IES classification: Type III  
Maximum candela of 3833.7 at 65° from vertical  
BUG Rating: B2-U0-G2



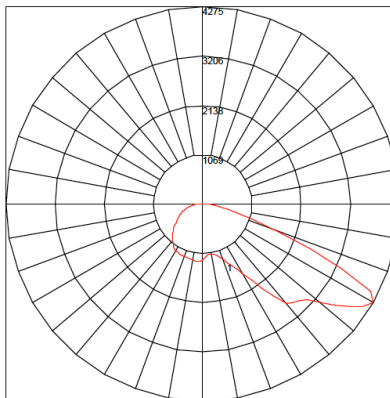
Maximum Candela = 3833.7 Located At Horizontal Angle = 62.5, Vertical Angle = 65  
# 1 - Vertical Plane Through Horizontal Angles (62.5 - 242.5) (Through Max. Cd.)



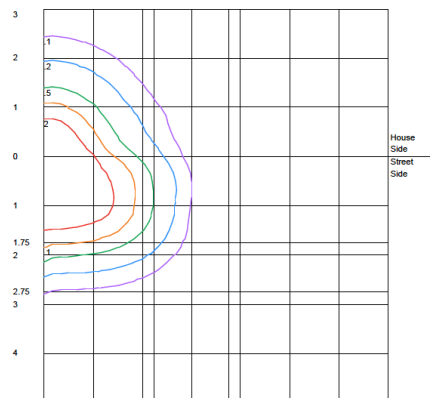
Distance In Units Of Mounting Height  
Values Based On 16 Foot Mounting Height

R3 / 61W LED / 3000K CCT

Catalog #: ACL-R3-X-5G2530-30-XX-UNV  
Report #: 113212221.17  
Delivered Lumens: 7286  
Efficacy: 119  
IES classification: Type III  
Maximum candela of 4275.1 at 60° from vertical  
BUG Rating: B2-U0-G1



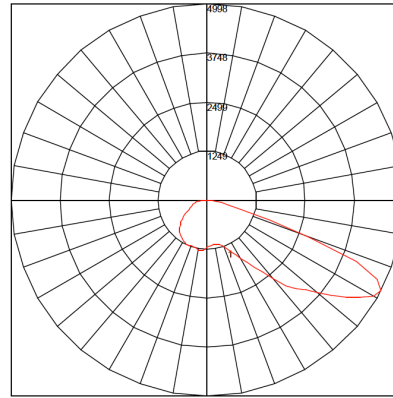
Maximum Candela = 4275.143 Located At Horizontal Angle = 45, Vertical Angle = 60  
# 1 - Vertical Plane Through Horizontal Angles (45 - 225) (Through Max. Cd.)



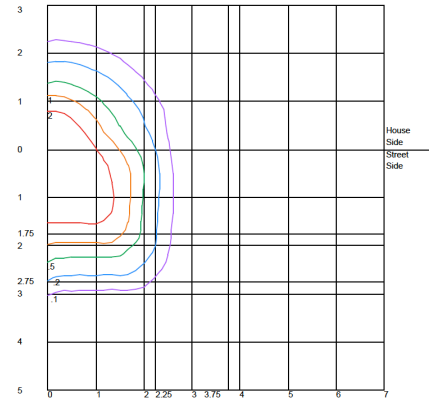
Distance In Units Of Mounting Height  
Values Based On 16 Foot Mounting Height

R4 / 61W LED / 3000K CCT

Catalog #: ACL-R4-X-5G2530-30-XX-UNV  
Report #: 13212221.17  
Delivered Lumens: 7435  
Efficacy: 122  
IES classification: Type III  
Maximum candela of 4998 at 62.5° from vertical  
BUG Rating: B2-U0-G1



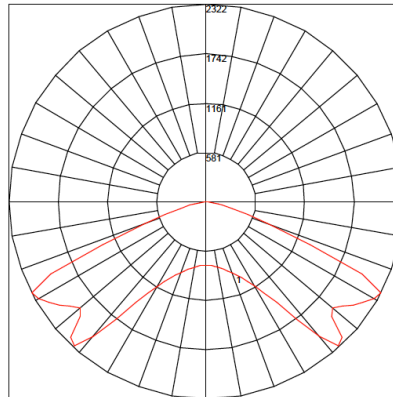
Maximum Candela = 4997.992 Located At Horizontal Angle = 35, Vertical Angle = 62.5  
# 1 - Vertical Plane Through Horizontal Angles (35 - 215) (Through Max. Cd.)



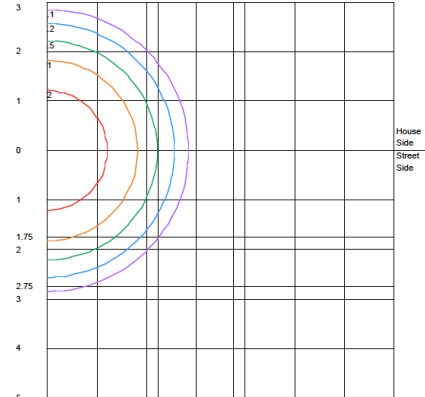
Distance In Units Of Mounting Height  
Values Based On 16 Foot Mounting Height

R5R / 61W LED / 3000K CCT

Catalog #: ACL-R5R-X-5G2530-30-XX-120  
Report #: 13212221.17  
Delivered Lumens: 7515  
Efficacy: 123  
IES classification: Type V  
Maximum candela of 2322.4 at 65.2° from vertical  
BUG Rating: B3-U0-G1



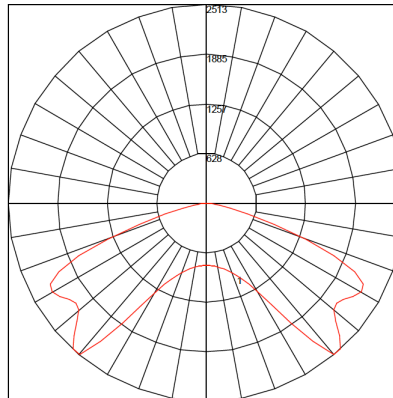
Maximum Candela = 2322.428 Located At Horizontal Angle = 0, Vertical Angle = 65.2  
# 1 - Vertical Plane Through Horizontal Angles (0 - 180) (Through Max. Cd.)



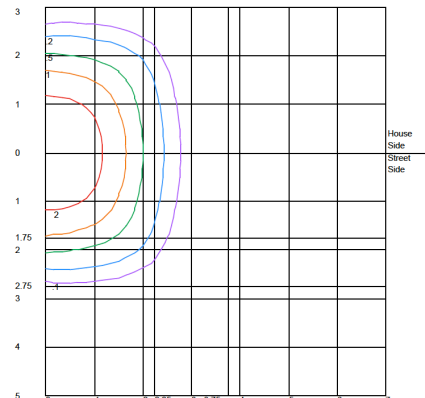
Distance In Units Of Mounting Height  
Values Based On 16 Foot Mounting Height

R5S / 61W LED / 3000K CCT

Catalog #: ACL-R5S-X-5G2530-30-XX-UNV  
Report #: 13212221.17  
Delivered Lumens: 7472  
Efficacy: 122  
IES classification: Type VS  
Maximum candela of 2513.1 at 42.5° from vertical  
BUG Rating: B2-U0-G1



Maximum Candela = 2513.119 Located At Horizontal Angle = 45, Vertical Angle = 42.5  
# 1 - Vertical Plane Through Horizontal Angles (45 - 225) (Through Max. Cd.)



Distance In Units Of Mounting Height  
Values Based On 16 Foot Mounting Height