

## ARCHITECT'S ADDENDUM

Addendum Number: 006

**Date:** Tuesday, January 14, 2020

**RE:** KANE COUNTY - Multi-Use facility

**Prepared By:** Viral Shah  
Cordogan, Clark & Associates

**CCA Project No.:** 19-349

**To:** Prospective Bidders

Subject: Addendum No. 006 to the Construction Documents for the Kane County Multi-Use Facility.

This Addendum forms a part of the Construction Documents and modifies the original Construction Documents, dated 12/16/2019. Acknowledge receipt of this Addendum in space provided on the Bid Form. Failure to do so may subject Bidder to disqualification.

### THE FOLLOWING ITEMS ARE TO BE INCLUDED IN THE PROPOSAL.

Clarifications To The Specifications:

- None

Clarifications To The Drawings:

See following attached revised sheets:

- A5.1 Building Elevations
- A5.3 Building Elevations
  
- S3.1 Typical Foundation Sections & Details
- S3.2 Foundation Sections & details
- S4.1 Typical Framing Sections & Details
- S4.2 Typical Slabwall Section & Details
- S4.3 Framing Section & Details

RFI and Response Log: See attached

- Items # 159 thru 173 – new with this addendum

End Of Addendum No. 006

L:\CCA\2019jobs\ 19-349 Kane County Judicial Center South Campus\ 7-Bidding-Negotiation\Addendum\_06\ADDENDUM 6

## RFI AND RESPONSE LOG

RFI NO.	CONTRACTOR	CONTRACTOR'S QUESTION	DRAWING REFERENCE	SPEC REFERENCE	DATE REC'D.	DISCIPLINE	DATE RETURNED	RESPONSE
1	FQC Construction Management	We may be interested in submitting our bid for card access portion of this project, but the bid documents do not include any specifications in Division 28 for access control. Please clarify with Owner / Architect if this is a design-build project or if there are (or will be) any requirements for a brand-name specific product and model.		281500 (New section added herewith)	12.17.19	Electrical	12.30.19	Specification section 281500 added
2	FQC Construction Management	Address Plaque: 8" x 16" x 1/4" Cast Aluminum Plaque; Mill finished raised areas; travertine background; Beveled border; concealed mount; [Manufacturer: Gemini]  Specs and drawings differ on details of border, background finish and mounting methods of both plaques	5/A8.12		12.17.19	Arch	12.30.19	Background finish, border and mounting method to match drawings. Text: TBD Quantity: 1
3	FQC Construction Management	Aluminum Plaque: 36" x 24" x 1/4" Cast Aluminum Plaque; Mill finished raised areas; travertine background; Beveled border; concealed mount; [Manufacturer: Gemini]  Specs and drawings differ on details of border, background finish and mounting methods of both plaques	4/A8.12		12.17.19	Arch	12.30.19	Background finish, border and mounting method to match drawings. Text: TBD Quantity: 1

## RFI AND RESPONSE LOG

RFI NO.	CONTRACTOR	CONTRACTOR'S QUESTION	DRAWING REFERENCE	SPEC REFERENCE	DATE REC'D.	DISCIPLINE	DATE RETURNED	RESPONSE
4	FQC Construction Management	<p>Halo Lit Fabricated Letters, Clear Anodized finish; Arial Bold font; projected stud mount.</p> <p>Are the Halo Lit letters the same as the ASI Fabricated Letters or different?</p>	1/A5.1, 2/A5.1, 3/A5.1 and 2/A5.2	101419 and 104300	12.17.19	Arch	12.30.19	<p><u>Canopy Letters</u> - Dimensional Letter Signage over all canopies on North Side as shown on 1/A5.1, 2/A5.1, and 3/A5.1 is per specification section 101419 Dimensional Letter Signage – 2.2 Dimensional Characters, sub section: A. Fabricated Channel Characters &lt;DL-01&gt; with Characters Height: 14” high and text as shown on the drawings and as follows: SHERIFF, FACILITIES MANAGEMENT and CORONER; Fastening method: Freestanding with concealed base bracket assembly</p> <p><u>Building Letters and Logo</u> - Dimensional Letter Signage over precast panel on North Side as shown on 3/A5.1 between grid lines D and F is per specification section 101419 Dimensional Letter Signage – 2.2 Dimensional Characters, sub section: B. Fabricated Channel Characters &lt;DL-02&gt; with Characters Height: 36” high for letters spelled as “KANE COUNTY” and 14” high for letter spelled as “MULTI USE FACILITY”; Client Logo size: 2'-5" diameter; Fastening method: Projecting studs</p> <p><u>Vinyl Cut Letters and Logo</u> - Dimensional Signage Letters on precast panel on the South Side as shown on 2/A5.2 between grid B.9 and D is per specification section 104300, Digitally cut Vinyl Letters adhered to the surface with pressure sensitive adhesive; Characters height: 36” high for letters spelled as “KANE COUNTY”. Client Logo – digitally cut vinyl logo, adhered with pressure sensitive adhesive; Logo size: 12'-0” Diameter</p>
5	FQC Construction Management	4" x 4" x 1/8" thick MP Plastic Room ID signs; tape mount; EVERY ROOM, Specs mentions "Refer to signage schedule and drawings for sizes, locations and layout of signage types, sign text copy and graphics" there is no sign schedule		101423.16	12.17.19	Arch	12.30.19	G.C. to provide room signs for every room. Room names and numbers to match floor plan.
6	FQC Construction Management	Fabricated Letters by ASI LTV series Digitally cut vinyl letters. Fabricated Logo as above; Are the ASI LTV letters just vinyl? Or are they face lit fabricated letters with digitally printed vinyl? Or something else altogether?		104300	12.17.19	Arch	12.30.19	Refer to response in item #4

## RFI AND RESPONSE LOG

RFI NO.	CONTRACTOR	CONTRACTOR'S QUESTION	DRAWING REFERENCE	SPEC REFERENCE	DATE REC'D.	DISCIPLINE	DATE RETURNED	RESPONSE
7	FQC Construction Management	Who is providing the Salt Dome, Storage Bins, and Fueling Station, are these all being provided by the Owner, what if any is required by the general contractor?		112100 - Revised and included herewith	12.17.19	Arch	12.30.19, 01.06.20 (Storage Bins) and 01.07.20 (Fuel Station)	<p><u>Salt Dome</u>: To be provided by G.C. MFR: Dome Corp of North America; Dome Size: 32'-0" Dia; Dome Floor Area: 824 SF; Product Height: 22'-0", Dome Height: 36'-4"; Dome Capacity 502 U.S. Tons (465 Cu. Yards)</p> <p><u>Storage Bins</u>: Provide 2'x2'x6' pre-cast concrete retaining interlocking blocks @ 3'-0" high around storage bins. Basis of Design Manufacturer: Graves Concrete; GC encouraged to find a local supplier for "concrete gravity retaining walls".</p> <p><u>Fuel Station</u>: Refer to Division 112100, sub-section 2.1 Equipment, Item Z Fuel Station Equipment</p>
8	FQC Construction Management	<p>Qty (01) plaque: 8" x 16" x 1/4" Cast Aluminum "2021"</p> <p>Qty (01) plaque: 24" x 36" x 1/4" Cast Aluminum, unknown text</p> <p>Room ID at every door minimum 4" x 4" x 1/8" MP Plastic signs (am I supposed to come up with a signage series and schedule using floor plans?)</p> <p>I don't know which spec goes with what drawing for the following:                      * Fabricated Letters and Logos by ASI                      * Halo Lit Letters                      * Fabricated Letters</p> <p>Will this include tactile exit signs, Window signs for changeable copy, Permanent room ID, And Restroom signage?</p>			12.17.19	Arch	12.30.19	Refer to response in item # 2, #3, #4 and #5. provide tactile exit signs at all exterior access doors as required (exclude Overhead Doors). No window signs required.
9	FQC Construction Management / CCI Flooring Inc.	I have a quick question regarding the actual project. Room C101 waiting area has LVT as floor designation with EPX-1 as the base. Do they really want epoxy cove base with the lvt or was this a typo.	A9.11		12.18.19	Arch	12.30.19	Wall Base in Room C101 shall be RB-1; Refer to Finish Material Legend on A9.11 for further information on RB-1.

## RFI AND RESPONSE LOG

RFI NO.	CONTRACTOR	CONTRACTOR'S QUESTION	DRAWING REFERENCE	SPEC REFERENCE	DATE REC'D.	DISCIPLINE	DATE RETURNED	RESPONSE
10	FQC Construction Management / CCI Flooring Inc.	Looking at the epoxy flooring. Will we need to figure epoxy on the floor of the shower and will this require us to pitch the epoxy? The plumbing details show that there is a trench drain going in the shower I believe the notation was TR2. This is what is making me think we will need to pitch those areas. The plans are pretty vague giving details.			12.18.19	Arch	12.30.19	<p>Floor Finish – EPX-1 as listed on the Floor Finish Schedule; Refer to Finish Material Legend on A9.11 for further information on EPX-1.</p> <p>Drain - Showers to receive drain TR-02 as scheduled on P2.0A and per Plumbing Fixture Schedule</p> <p>Shower Floor shall be pitched to the drain to maintain accessible slope requirements, per applicable Illinois Accessibility Code.</p>
11	Interstate Electronic Company	I would like the opportunity to bid the fire alarm for this project using Autocall FA by Johnson Controls. It is basically a Simplex System for JCI and is non-proprietary.		283111, Section 2.3	12.18.19	Electrical	12.30.19 and 01.06.20	<p>Division 283111 Section 2.3 Fire Alarm Control Unit</p> <p>1). Manufacturer item #1 is modified from "Honeywell Brands (Notifier/Fire-Lite/Silent Knight)" to "Honeywell Brands (Notifier/Fire-Lite/Silent Knight/Gamewell/FCI).</p> <p>2). 2.Manufacturer item #3 is modified from "Simplex (a Division of Tyco International)" to "Johnson Controls (Simplex, Autocall)."</p>
12	FQC Construction Management	<p>Performance requirements for Freezer/Cooler</p> <p>Two critical pieces of information relating to the "Prefabricated Cold Storage Rooms" are being requested as part of this RFI.</p> <p>1. Request that the temperature and, if relevant, humidity, set points for the walk-in cooler (Room C137) and the Walk-in Freezer (Room C136) be provided. Neither the Section 130380 specifications nor the Cooler/Freezer Schedule on Drawing M4.1 identify the desired operating temperature/humidity conditions.</p> <p>2. Requested that the Temperature Uniformity &amp; Humidity Performance requirements outlined in Paragraph 3.3C and 3.3D of the section 130380 specifications be updated/clarified to include desired temperature uniformity requirements (eg. +/- 1° C) and if applicable, acceptable relative humidity range (e.g. +/- 5%)</p>	M4.1 - Cooler / Freezer Schedule	130380 - Paragraph 3.3C and 3.3D	12.19.19	Mechanical/ Arch	12.30.19 and 01.13.20	<p>Desired Operating Temperature –</p> <p>* Freezer – (-) 4°F</p> <p>* Cooler – (+) 40° F</p> <p>Temperature uniformity desired for both Freezer and Cooler – (+/-) 4°F</p> <p>Relative Humidity Range - (+/-) 5%</p>

## RFI AND RESPONSE LOG

RFI NO.	CONTRACTOR	CONTRACTOR'S QUESTION	DRAWING REFERENCE	SPEC REFERENCE	DATE REC'D.	DISCIPLINE	DATE RETURNED	RESPONSE
13	FQC Construction Management	<p>Another question on the far west side is the utility trench behind the curb or in the road. I'm looking at sheet C2.0</p> <p>* Can you verify if the storm piping is in the roadway or behind the curb on the far west side of sheet C2.0, to me it looks to be under the curb?</p> <p>* Looks like we'll need complete curb removal and replacement, is this correct?</p> <p>* Or is the work west of the east ring road not part of this work, maybe existing?</p> <p>* If we are to do the pathing and piping work can you tell us what is existing to match?</p>	C2.0		12.19.2019	Civil	01.13.20	Attached is a revised C2.0. Most of this area is existing. Only a new sanitary sewer line is proposed. Most of the existing text has been removed for clarity. Curb and Gutter will need to be removed and replaced per the callouts. Almost all of the west ring road work is existing. To match the existing roadway the cross section is 1.5" Surface, 2.5" Binder on 10" of CA-6. To match existing sidewalk, the cross section is 5" of PCC on 4" aggregate.
14	FQC Construction Management	Can you provided specification of Pavement thickness for the Trash Enclosure Area as well as for the Transformer / generator area onb C2.1	A1.01 (revised and attached herewith) and A1.1A (new sheet - attached herewith)		12.19.19	Arch	12.30.19	Sketch/detail attached. Sheet A1.1A added.
15	ACO	I was hoping to get some information on the 56 LF of external trench drain from the civil pages. According to the plans it says "see detail". However, I'm unable to locate the trench drain detail. Can you please advise what is spec'd?	C1.0, C2.0, C3.0, C4.0		12.19.19	Civil	01.13.20	There are no proposed trench drains on the civil sheets. The call out refers to an existing trench drain. Sheet C2.0 has been revised and this call out has been removed.
16	ACO	In addition, are you accepting additional manufactures other than what is spec'd for the internal (plumbing) trench drain?			12.19.19	Arch	12.30.19	Provide bid per contract documents.
17	FQC Construction Management	can you please provide specifications regarding the barrier arm gates? Not sure what functions are needed along with who's the existing manufacturer.	Product numbers provided in response		12.19.19	Civil	01.13.20	The barrier gates shall be the following Doorking products: 1601 Barrier gate with a 10' wooden barrier arm / 1838-081 Access Control Box / 1838-124 Card Reader and Remote Callbox, note that each gate will require 2 readers, one high and one low / 1830-185 Phone adapter configures to local network / 9410 010 Loop Detector Board / 1200-049 Dual Height Pedestal / 9402-077 Loop Detector, 1000'. Attached is a picture displaying the existing and proposed layouts. See response below about detector loops.
18	Osman Construction Corporation	There are a few specifications where it is indicated that the contractor shall provide testing. One such specification is steel decking 053100. Is this correct?		053100	12.20.19	Arch	12.30.19	Provide testing per contract documents.

## RFI AND RESPONSE LOG

RFI NO.	CONTRACTOR	CONTRACTOR'S QUESTION	DRAWING REFERENCE	SPEC REFERENCE	DATE REC'D.	DISCIPLINE	DATE RETURNED	RESPONSE
19	Osman Construction Corporation	In specification section 051200 it states that the fabricator and installer need to be AISC certified. Can this requirement for AISC certification be waived?		051200	12.20.19	Arch / Structure	12.30.19	Yes, AISC certification can be waived.
20	Osman Construction Corporation	In specification section 280500 there is no equipment identified. Is the access control and security system equipment furnished and installed by owner and we are only to provide conduit and boxes? If we are to provide the equipment is it an open specification or will there be an addendum issued for the equipment specification.		280500 (new sections - included herewith)	12.20.19	Electrical	12.30.19	Division 281500 Access Control – Included herewith
21	L.J Morse	I would need more information about Exterior characters and logos on A5.1 and A5.2.  Dimensional Lettering -- I am seeing what appears to be dimensional lettering on Plan Sheets A5.1 & A5.2 in the form of lettering mounted to the top of 3 canopies and grand-scale lettering & logos attached to the front of the building in 2 places. None have any measurements and no indication on which are DL-1 and which are DL-2. Please advise.	A5.1 and A5.2		12.20.19 12.23.19	Arch	12.30.19	Refer to response for items # 2, #3 and #4
22	L.J Morse	Also, could you please provide an interior signage schedule.  Panel Signage -- The specs give a little info on substrate but the only dimensions I see are "min 4" x 4". There is not enough information to determine exactly how the architect envisions the signs. Can we get a little more detail on what they are planning? Are we to match what is installed in the existing part of the building? If so, can we get images of these pieces? We are happy to develop signage details and schedules, but that is usually done by consulting fee or as part of a contracted job. If the architect will provide a little more info, I am happy to do estimating take-offs.		101423.16	12.20.19 12.23.19	Arch	12.30.19	Refer to item #5; Size: 6" x 8"
23	Vissering Construction Company	There are 2 spec sections numbered 075423 in the Spec Book. Is one or the other not supposed to be in there, or is there supposed to be 2 with that number, but different kind of roofing?		075423	12.23.19	Arch	12.30.19	Polyvinyl-Chloride (PVC) with (KEE) Roofing shall be Division 075419 instead of 075423.  Thermoplastic Polyolefin (TPO) Roofing shall be Division 075423 and is listed correctly.
24	Osman Construction Corporation	Spec section 033543 Polished Concrete is in the spec book but not indicated in any of the rooms on the room finish schedule sheet A 9.11. Should this be at the flooring surfaces identified as sealed concrete?	A2.1B, A9.11 and A9.12	099600 and 033543 Polished Concrete (Division removed)	12.23.19	Arch	12.30.19 and 01.06.20	Rooms S152, S153, S162 and S163 to receive High Performance Coating per Division 099600 High Performance Coatings. All other rooms to receive sealed concrete per Division 099123 Interior Painting
25	Osman Construction Corporation	Primex clock system is specified in section 275313, but there aren't any designations on the drawing for clock locations. Can you provide the clock locations?		275313	12.23.19	Arch	12.30.19	Clock System: Provide 12 single face clocks to be placed as directed by client.



## RFI AND RESPONSE LOG

RFI NO.	CONTRACTOR	CONTRACTOR'S QUESTION	DRAWING REFERENCE	SPEC REFERENCE	DATE REC'D.	DISCIPLINE	DATE RETURNED	RESPONSE
26	L.J Morse	Plaques -- There is enough info in the specs and Plan Sheet A8.12 for us to provide a quote for the two plaques that appear to be in this project (building number and dedication plaque). Please confirm that this is all they need.	A8.12		12.23.19	Arch	12.30.19	Refer to response for item # 2, and #3
27	L.J Morse	Per Specs:  4. <i>General Coordination procedures</i> a. <i>Coordinating Contractor shall retain a third-party consultant specializing in building Information Model generation and coordination and shall perform three-dimensional...</i>  Are we responsible for hiring the BIM contractor? If so, please confirm what discipline do you need, HVAC? Plumbing? Electrical?		013100	12.23.19	Arch	12.30.19 and 01.13.20	The G.C. is responsible for retaining the BIM generation and coordination consultant for all critical building systems as per LOD level 350 as defined by bimforum.org, including, but not limited to all MEP, Structural and Fire Protection systems.
28	Vissering Construction Company	1). Table of Contents says 221123 -Domestic Water Pumps 2). Spec included says 221123B (not in table of contents) Domestic Water Booster Pumps 3). Table of Contents says 221123A Domestic Water Circulation Pumps (does not appear to be included in the spec.).  Please Clarify		Project Manual will not be reissued at this point	12.23.19	Plumbing	01.13.20	1). <u>Table of Contents - Correction:</u> Revise 221123 Domestic Water Pumps to 221123B Domestic Water Booster Pumps  2). Division included with the Bid Documents - Correction: <u>Title - Section 221123B Domestic Water Booster Pumps</u> is correct. <u>Footer - To be revised to match the title</u>  3). Division 221123A Domestic Water Circulation Pumps - refer to Bid Documents
29	Scheffler Electric Corp.	After looking through the lighting plans. There are two fixtures on the drawing that are not on the schedule F4S and F14. Please provide a spec.	E4.1 - revised and included herewith		12.23.19	Electrical	01.13.20	Change F4S to F4; See attached E4.1 For new scheduled F14
30	Vissering Construction Company	Table of Contents – 235523.13 – Low Intensity Gas Fired Radiant Heaters. This spec section does not appear to be in the spec book.		235523.13 - included herewith	12.23.19	Mechanical	01.13.20	Included herewith
31	Vissering Construction Company	Spec book contains – 260573.13 – Short Circuit Studies - Not listed in table of contents. Should this be included?		260573.13	12.23.19	Electrical	01.13.20	Yes.
32	Vissering Construction Company	DRAWINGS:  C5.3 is in the set, not in the index E4.7 is in the index, not in the set E4.7A is in the set, not in the index E4.7B is in the set, not in the index E4.7C is in the set, not in the index.			12.23.19	Arch	12.30.19	This is correct



## RFI AND RESPONSE LOG

RFI NO.	CONTRACTOR	CONTRACTOR'S QUESTION	DRAWING REFERENCE	SPEC REFERENCE	DATE REC'D.	DISCIPLINE	DATE RETURNED	RESPONSE
33	Accurate Glass, Inc.	RFI regarding glass & glazing: Please clarify frame type C-3. Is this frame to be hollow metal as shown on the door schedule or aluminum with a hollow metal doors as shown at detail 11/A9.3 and storefront elevations on sheet 9/A9.2. Please advise.	11/A9.3 and 9/A9.2		12.23.19	Arch	12.30.19	Frame Type C-3 to be hollow metal frame with a hollow metal door. Door and frame elevations to remain. Frame, Door and Hardware schedule will be revised in future addendum.
34	Mill Concrete Construction	After reviewing the plans I believe there may be a page missing.  I need the existing grades east of the existing building where the new building and roads are going. The proposed grading on C4.0 & C4.1 have white space covering the existing grades, and I don't believe the existing grades I need to calculate cut & fill quantities are on C1.0-C1.2A either.	C1.0, C1.0A, C2.0, C2.0A, C3.0, C3.0A, C4.0, C4.0A		12.24.19	Civil	01.13.20	There is no page missing. The area west of the existing roadway only has the extension of the sanitary sewer. There is no grading in this area beyond the trenchwork required to install the sanitary sewer. Refer to the revised Sheets C1.0, C1.0A, C2.0, C2.0A, C3.0, C3.0A, C4.0, and C4.0A. Other grading changes include minor regrading of the northern parking lot, minimizing the disturbed area immediately east, southeast of the existing ring road and the addition of a swale east of the proposed development.
35	L.J. Morse Construction	The architect has not selected styles for the ceramic tile, LVT, or carpet tile. They have only listed the manufacturer and sizes of these products.  In order to price the job we will need the styles of all of these products. I will assume this information will be coming out in an addenda.		093013, 096723 and 096813 - revised and attached herewith	12.24.19	Arch	12.3.019	093013, 096723 and 096813 - revised and attached herewith
36	CKI, Inc.	Spec 101419 ,1.2 A—which letters are illuminate? Which are not? Appears to be at least 4 sets of letters in question. What are the sizes? Not shown on prints. Spec 101423 .  Cannot locate a signage schedule, or a detail sheet identifying sign types and sizes. Please advise as to all details for interiors.		101419 and 101423	12.24.19	Arch	12.30.19	Refer to response for item # 4 and #5
37	CKI, Inc.	Print A5.1 Letters on canopy. Factory recommends tie backs for bottom mounted letters. They are not shown in any of the details.  If it is insisted there be no tie backs, manufacturers will not warranty. If they don't warranty, we cannot warranty. How will this be handled?			12.24.19	Arch	12.30.19	Provide bid per contract documents.
38	CKI, Inc.	Spec 101423 2.4 installation call out both mechanical fasteners and 2 sided tape. Which is correct? Cannot be both.		101423	12.24.19	Arch	12.30.19	Mount signs with 2 sided tape
39	CKI, Inc.	Print A5.1 detail 4- plaque next to letters Kane . What is it? Material, thickness, height?			12.24.19	Arch	12.30.19	Refer to response for item #4
40	CKI, Inc.	Print A 5.2 detail 2- County seal. What is it? Size, height & thickness? Material? Desired mounting method? Bricks show through on the drawings.  Are all the plaque details individual pieces or is the plaque supposed to be 1 solid piece?			12.24.19	Arch	12.30.21	Refer to item #4. Client Logo is one solid piece

## RFI AND RESPONSE LOG

RFI NO.	CONTRACTOR	CONTRACTOR'S QUESTION	DRAWING REFERENCE	SPEC REFERENCE	DATE REC'D.	DISCIPLINE	DATE RETURNED	RESPONSE
41	CKI, Inc.	Spec 101423 interior signage. – there is no signage schedule listed. Nor is there a sheet identifying sign type, sign sizes. Please advise where this detail can be located.		101423	12.24.19	Arch	12.30.219	Refer to item #5
42	The George Sollitt Construction Co.	The project documents do not contain any Site Work specifications such as earthwork, site utilities, site paving, etc.  Will any specifications be provided for the site work required on this project?		331100, 312000, 321216, 321313, 321373, 323113, 329100, 329200, 329300, 331100, 333100, 334100	12.26.19	Civil	01.13.20	The site specifications are included as part of this addendum. Sections 311000, 312000, 321216, 321313, 321373, 323113, 329100, 329200, 329300, 331100, 333100, and 334100
43	L.J. Morse Construction	The drawing A2.2A shows North and East partitions in the Boiler room as a drywall partitions. This is the walls with doors S201A and S201B. Please clarify type of this partitions.	A2.2A		12.27.19	Arch	12.30.19	This wall type is correct
44	Osman Construction Corporation	On sheet A 2.11 wall partition type E-3 calls for insulated CMU 8", 10". What type of insulation is to be used?	A2.11	042200 - revised and included herewith	12.27.19	Arch	12.30.19	Division 042200 - revised and included herewith
45	F.H. Paschen	Drawings A6.15 detail 4 show the canopy that is above the OHD and refers to detail 7/A6.22. The other canopies on drawings A6.12 and A6.11 don't have a detail. Would they follow the same detail on 7/A6.22?	A6.15, 7/A6.22, A6.12 and A6.11		12.27.19	Arch	12.30.19	Detail on 7/A6.22 is a typical canopy detail applicable to canopies at all locations
46	F.H. Paschen	ACM panels are missing their specification. What type of ACM is needed?		074213.23 - new section; included herewith	12.27.19	Arch	12.30.19	Division 074213.23 Metal Composite Material Wall panels - included herewith
47	F.H. Paschen	Finish Schedule on A9.11 and Wall Finish Plan on A9.14A references Ceramic Tile CT-3 which is not listed on the Finish Material Legend. Please provide specifications for this tile type.	A9.11 (revised and included herewith) and A9.14A	093013 - revised and included herewith	12.27.19	Arch	12.30.19	CT-3 not used. Room C11221 and C126 shall receive CT-1. Refer to revised specification section 093013 - attached herewith
48	F.H. Paschen	Spec Section 112100 Building Equipment section 2.1D equipment tag D, more information is required for the Mettler Toledo floor scale. Please provide a specific model number required for bid.		112100, sub-section 2.1D	12.27.19	Arch	12.30.19	Model # 2256 VLP Stainless Steel; Capacity: 2,500 lbs, Finish: 304 Smooth SS
49	F.H. Paschen	The equipment schedule on drawing A10.1B, keynote 12, lists two Mi-T-N models of pressure washers. The two models have different electrical voltage requirements. The electrical equipment schedule on E4.4 shows both power washers having the same electrical requirements. Please clarify which model is correct.	A10.1B (revised and included herewith) and E4.4		12.27.19	Arch / KC	12.30.19	Model # HG-3004-3208
50	F.H. Paschen	The project manual didn't include a specification for the countertops. What type of countertop, how thick, and what kind of edges?			12.27.19	Arch	12.30.19	Refer to Contract Documents.
51	F.H. Paschen	SS-1 is missing in the finish schedule. What type of countertop is SS-1?		123616	12.27.19	Arch	12.30.19	Refer to following specification section: 123616 Metal Countertops

## RFI AND RESPONSE LOG

RFI NO.	CONTRACTOR	CONTRACTOR'S QUESTION	DRAWING REFERENCE	SPEC REFERENCE	DATE REC'D.	DISCIPLINE	DATE RETURNED	RESPONSE
52	F.H. Paschen	Per the Glazing Schedule on Sheet A9.2, glass type MG-1 is to be ½" clear tempered glass. Glazing Spec 088000 Section 3.6A lists this same glass type as 6mm (i.e. ¼") clear annealed glass. Please confirm required glass type/specifications for MG-1.	A9.2	088000, sub-section 3.6A	12.27.19	Arch	12.30.19	Revise MG-1 glass thickness to 1/4" tempered glass
53	F.H. Paschen	Please confirm specifications for glass type IG-2 as it is not listed in Glazing Spec 088000.		088000	12.27.19	Arch	12.30.19	IG-2 - Full Vision Insulated Tempered Glazing at overhead doors, as per manufacturer specifications
54	F.H. Paschen	Glazing Specification 088000 Section 3.6B calls out glass type MG-2 though it is not listed on the Glazing Schedule and we can't seem to find this in the drawings. Please clarify where this glass type is to be used		088000, sub-section 3.6B	12.27.19	Arch	12.30.19	MG-2 is not used
55	F.H. Paschen	Per Sheet A7.27 Det. 2 & 5 we are to provide safety glass panels to protect the TV's in the Autopsy room. Please provide specifications on what glass type is to be used for these locations.	2 and 5 / A7.27	088000, sub-section 3.6A	12.27.19	Arch	12.30.19	Use glazing type MG-1
56	F.H. Paschen	Please confirm material for frame type C4. Should it be hollow metal or aluminum?			12.27.19	Arch	12.30.19	Frame Type C4 is hollow metal
57	F.H. Paschen	Frame type C3 is identified as hollow metal with hollow metal doors on Door Schedule but on elevations/details (Sheets 6.13/4, 6.14/3, & 6.15/2) it is shown as aluminum storefront. Please clarify materials.	4/A6.13, 3/A6.14 and 2/A6.15		12.27.19	Arch	12.30.19	Frame Type C-3 to be hollow metal frame with a hollow metal door. Door and frame elevations to remain. Frame, Door and Hardware schedule will be revised in future addendum.
58	F.H. Paschen	For Aluminum Storefront frame type A please confirm, is there an operable awning or vent as called out on detail 1/A6.11?	1/A6.11		12.27.19	Arch	12.30.19	This is a typo; the note shall read as "Thermally broken aluminum storefront"
59	F.H. Paschen	Are we required to use the old construction entrance off Peck Road (marked in red) or can we use the main entrance road off Route 38 for construction traffic (marked in blue)? See the attached sketch.			12.27.19	Arch	12.30.19	The contractors shall use either the existing construction access road off of Bircher or they can build a new access road as shown on the civil drawings for the optional stormwater basin expansion Alternate. No construction access shall use the government campus access roads without approval from the owner and architect.
60	Kewaunee Scientific Corporation	The attached work table is shown on sheet A8.12, but it's not shown on the floor plans. Can you please confirm on how many instances this work table occurs.	1, 2 and 3 / A8.12		12.27.19	Arch	12.30.19	Work Table to be located in Work Area F165, excat location TBD. Quantity: 1, refer to E2.1C
61	L.J.Morse	Specification 0951113 calling for AP-1-Tectum 1"x48"x96" direct attached panels. I don't see it on Reflected Ceiling plans or interior elevations. Please clarify if it is any on this project.		095113	12.27.19	Arch	12.30.19	Tectum panels are to be provided In lieu of Acoustical roof deck in areas indicated in Deduct Alternate 6 in Division 012300 Alternates, sub-setion 3.1, E.2

## RFI AND RESPONSE LOG

RFI NO.	CONTRACTOR	CONTRACTOR'S QUESTION	DRAWING REFERENCE	SPEC REFERENCE	DATE REC'D.	DISCIPLINE	DATE RETURNED	RESPONSE
62	Camosy Construction	<p>1). Frame type C-3. Is this frame to be hollow metal as shown on the door schedule or aluminum with a hollow metal door as shown at detail 11/A9.3 and storefront elevations on sheet 9/A9.2. Please advise.</p> <p>2). Glass type MG-1 call for ½" clear tempered glass as shown on the glazing schedule on sheet A9.2. The specification 088000 item 3.6/A calls for MG-1 to be ¼" clear glass. Please clarify.</p> <p>3). Glass type IG-2 shown on the glazing schedule sheet A9.2 calls for 1-1/16" tempered insulating glass. The glazing specification does not list glass type IG-2. Please advise.</p> <p>4). Is all of the glass type IG-1 to be Green tinted. Please advise.</p>			12.30.19	Arch	01.06.20	<p>1). Refer to item #57 in this RFI Log addressed in Addendum #2, issued on 12.30.19</p> <p>2). Refer to item #52 in this RFI Log addressed in Addendum #2, issued on 12.30.19</p> <p>3). Refer to item #53 in this RFI Log addressed in Addendum #2, issued on 12.30.19</p> <p>4). Refer to contract documents</p>
63	Mechanical Inc.	<p>1). Sheet M2.1A, Supply ductwork for DOAS-2W, note 3 states double wall duct, note 9 states 14 gage back to fan. Am I to use 14 gage double wall? 14 gage for both the inner and outer shells?</p> <p>2). Sheet M2.1A, Exhaust double wall ductwork for Exhaust Fan EF-135. Is the listed size for the outer shell? Is this duct to be 14 gage? The stainless steel material for the drop is only back to the main?</p> <p>3). Sheet M2.1A, Exhaust double wall ductwork for ERU-W. Is the listed size for the outer shell? Is all of this duct to be 14 gage, or only after the silencer up to equipment? The stainless steel material for the drop is only back to the main?</p> <p>4) Sheet M2.1A, Supply double wall ductwork for DOAS-1W. Is the listed size for the outer shell? Is all of this duct to be 14 gage, or only after the silencer up to unit? The stainless steel material for the drop is only back to the main?</p> <p>5) Sheet M2.1A, The 30" x 20" double wall supply ductwork in corridor. Are the runouts to the VAV Boxes to be double wall construction? Low pressure ductwork 1-1/2" liner?</p> <p>6) Sheet M2.1B Exhaust ductwork for Exhaust Fans VEF-162, 164. Is this 316 stainless steel duct to be flanged? Welded?</p> <p>7) Sheet M2.1C, double wall supply ductwork, Are the runouts to the VAV Boxes to be double wall construction? Low pressure ductwork 1-1/2" liner?</p>			12.30.19	Mechanical	01.13.20	<p>1). 14 gage double wall duct is from silencer back to fan. Outer shell to be 14 gage. Inner shell need not be 14 gage.</p> <p>2). Size listed is for outer shell. Outer shell to be 14 gage. Stainless steel is for ductwork above the roof.</p> <p>3). Size listed is for outer shell. 14 gage duct is from silencer to fan. Stainless steel is for duct above roof.</p> <p>4). Size listed is for outer shell. 14 gage duct from silencer back to unit. Stainless steel is for duct above roof.</p> <p>5). 30x20 is double wall duct with perforated liner. High pressure duct to VAV box to be double wall only where exposed. Low pressure duct to have 1.5" liner.</p> <p>6). Suction side vehicle exhaust capture ductwork need not be welded.</p> <p>7). High pressure duct to VAV box to be double wall only where exposed. Low pressure ductwork to have 1.5" liner.</p>

## RFI AND RESPONSE LOG

RFI NO.	CONTRACTOR	CONTRACTOR'S QUESTION	DRAWING REFERENCE	SPEC REFERENCE	DATE REC'D.	DISCIPLINE	DATE RETURNED	RESPONSE
64	HTI Polymer Inc.	<p>I have request for clarification on the EPX-1 and EPX-2.</p> <p>1). The room schedule calls for cove in room C101 waiting area base. The floor is not EPX-1 or EPX-2. Please clarify base material for that room and or floor material.</p> <p>2). The GP Sherwin Williams Aqua Armor has an inherent water vapor barrier in the primer. Is this acceptable for the MVE system necessary.</p> <p>3). Please confirm 4" cove.</p> <p>4). Please clarify : No field fabrication of joints allowed, including out-of-plumb / level butt joints. Does this mean that the EPX-1 and EPX-2 system need to be free from honoring control and construction joints on the surface. Typically , HTI honors the control joints and construction joints and then will honor them in the surface of the EPX-1 and EPX-2 flooring then seal with RS88 joint sealant in the color of choice. We can utilize a different method but would not know for certain how to cost until the concrete is poured and all cracks/joints are accounted for prior to installation of EPX-1 and EPX-2.</p> <p>5). Please specify what chemicals will be present for cleaning/storage/etc. in the facility in areas that EPX-1 and EPX-2 are subjected to. This is especially critical for the hazmat area/aux autopsy room.</p>			12.30.19	Arch	01.06.20	<p>1). Refer to item #09 in this RFI Log addressed in Addendum #2, issued on 12.30.19</p> <p>2). Provide bid per contract documents.</p> <p>3). Confirmed.</p> <p>4). Field fabrication of joints will be allowed.</p> <p>5). At this time it is unknown what cleaning chemicals will be used by owner other than a bleach/water solution.</p>
65	Midwest Masonry, Inc.	<p>Drawings indicate two types of "thin brick veneer".Does the AOR have specific installation requirements as this can vary with manufacturer?Ni info in the unit masonry spec.</p>			12.30.19	Arch	01.06.20	<p>Brick is integral to precast panel per contract documents.</p>
66	Lite Construction, Inc.	<p>I have a steel subcontractor asking if the AISC certified plant can be waived for the Kane County Multi-Use Facility project? Please let me know. Thank you</p>			12.30.19	Structure	01.06.20	<p>Refer to item #19 in this RFI Log addressed in Addendum #2, issued on 12.30.19</p>



## RFI AND RESPONSE LOG

RFI NO.	CONTRACTOR	CONTRACTOR'S QUESTION	DRAWING REFERENCE	SPEC REFERENCE	DATE REC'D.	DISCIPLINE	DATE RETURNED	RESPONSE
67	R.C. Wegman Construction Company	<p>1). What type of 3" rigid insulation board is to be utilized in the masonry cavity: polyiso or polystyrene?</p> <p>2). Can you please advise color selections on the solid surface material?</p> <p>3). Can the AISC certification requirement be waived? Many Structural Steel Contractors have asked this question. Both RCW and Cordogan Clark have worked with these contractors who would be prohibited from bidding unless this certification is waived.</p> <p>4). The drawings call out for insulated CMU to be utilized, however the specifications don't call out what they are to be insulated with? There is at least 6 different ways to insulate CMU. Please provide clarification.</p> <p>5). Frame type C-3 at (7) exterior locations shows on the door schedule to have hollow metal doors and hollow metal frames. Detail section 2 on A6.15 calls for aluminum frames with hollow metal doors. Question: Is frame aluminum or hollow metal?</p> <p>6). Page A9.2 calls out glass type IG-2 full vision 1- 1/16" insulated tempered glass. It is shown to be in elevation frame types C-3, C-4 and overhead door type OH-1. The glass specification 088000-10 only identifies IG-1 type. Question: What is the make-up of glass type IG-2?</p> <p>7). Page A9.2 calls for glass type MG-1 to be 1/2" clear tempered glass. Glass specification 088000-9 shows MG-1 to be 1/4" clear annealed glass. Question: What type of glass tempered or annealed and what thickness is MG-1 1/4" or 1/2"?</p>			12.30.19	Arch / Structure	01.06.20	<p>1). Polyiso</p> <p>2). Wilsonart - Peace Grey 9232SS</p> <p>3). Refer to item #19 in this RFI Log addressed in Addendum #2, issued on 12.30.19</p> <p>4). Refer to item #44 in this RFI Log addressed in Addendum #2, issued on 12.30.19</p> <p>5). Refer to item #57 in this RFI Log addressed in Addendum #2, issued on 12.30.19</p> <p>6). Refer to item #53 in this RFI Log addressed in Addendum #2, issued on 12.30.19</p> <p>7). Refer to item #52 in this RFI Log addressed in Addendum #2, issued on 12.30.19</p>
68	R.C. Wegman Construction Company	<p>8). Doors C101 and F165 in frame type C-2 are interior doors and frames. The elevations call for glass type IG-1 which is 1" insulated glass. Question: Is the glass 1" insulated or 1/4" thick and if the glass is 1" insulated do the frames need to be thermally broken on the inside of the building?</p> <p>9). Window type A shows two 2" horizontal pieces forming a horizontal 4'-0" up from the bottom of the window. Question: Would it be possible to use one standard 4 1/2" horizontal at this location instead of two pieces which could lead to water leakage?</p> <p>10). Can the online project website hosting platform Basecamp (<a href="http://www.basecamp.com">www.basecamp.com</a>) be used in lieu of Submittal Exchange? The features of both websites are very similar. Basecamp would be free to the owner. The use of Submittal Exchange would add cost to the owner.</p>	A9.2		12.30.20	Arch	01.06.20	<p>8). Yes and Yes</p> <p>9). Yes.</p> <p>10). Only Submittal Exchange will be used as online project hosting platform.</p>
69	Tecnica Environmental Services	Can you please request a civil drawing that provides existing contours east of the match line similar to Sheets C1.0 and C4.0, which are west of the match line.	C1.1 - new included herewith		12.31.19	Civil	0.13.20	C1.1 has been added to show the existing contours east of the ring road



## RFI AND RESPONSE LOG

RFI NO.	CONTRACTOR	CONTRACTOR'S QUESTION	DRAWING REFERENCE	SPEC REFERENCE	DATE REC'D.	DISCIPLINE	DATE RETURNED	RESPONSE
70	Osman Construction Corporation	Can you advise if suspended vent and storm piping material is PVC or C.I ? Per Mechanical drawings appear to be plenum return system.			12.31.19	Plumbing	1.13.20	Suspended waste, vent, storm piping to be cast iron in plenum ceilings. Suspended waste, vent, storm piping in non-plenum areas may be PVC.
71	HTI Polymer Inc.	1). Resinous flooring basis of design is now Dur-A-Flex Dur-A-Flake epoxy flake. The spec is for Dur-A-Quartz. Addition of Flake instead of quartz is the Dur-A-Flake system. Micro Flex at 0.15 lbs/sf and Macro at 0.1 lbs/sf. Please clarify Dur-A-Flake or Dur-A-Quartz system.			12.31.19	Arch	01.06.20	Intent is for the Dur-A-Quartz product to be used.
72	IHC Construction Company	<p>1). The room schedule calls for cove in room C101 waiting area base. The floor is not EPX-1 or EPX-2. Please clarify base material for that room and or floor material.</p> <p>2). The GP Sherwin Williams Aqua Armor has an inherent water vapor barrier in the primer. Is this acceptable for the MVE system necessary.</p> <p>3). The spec calls for 4" cove but there is a drawing that has 6" cove. Can you confirm 4" or 6" cove?</p> <p>4). Please clarify : No field fabrication of joints allowed, including out-of-plumb / level butt joints. Does this mean that the EPX-1 and EPX-2 system need to be free from honoring control and construction joints on the surface? Typically , HTI honors the control joints and construction joints and then will honor them in the surface of the EPX-1 and EPX-2 flooring then seal with RS88 joint sealant in the color of choice.</p> <p>5). Resinous Flooring Spec per addendum#2 has changed to Dur-A-Flex basis of design The Dur-A-Flex Flake Floor System is micro and macro flake as the aggregate not quartz as indicated on the spec. What is the level of addition of Macro/Micro flake if this is indeed what that are asking for? The system specked out is for the Dur-A-Quartz system. Its a good system just doesn't have decorative flake it has decorative quartz.</p>			12.31.19	Arch	01.06.20	<p>1). Refer to item #09 in this RFI Log addressed in Addendum #2, issued on 12.30.19</p> <p>2). Provide bid per contract documents.</p> <p>3). Cove to be 4 inch high.</p> <p>4). Field fabrication of joints will be allowed.</p> <p>5). Refer to item #71</p>
73	L.J.Morse	Please confirm the acid etched cast stone above the windows is part of the precast panels? My cast people are asking.A5.1 Typical.			01.02.20	Arch		Yes.
74	Osman Construction Corporation	Just to confirm the thin brick is part of the precast panel and is cast in with the panel Correct?			01.02.20	Arch		Yes.

## RFI AND RESPONSE LOG

RFI NO.	CONTRACTOR	CONTRACTOR'S QUESTION	DRAWING REFERENCE	SPEC REFERENCE	DATE REC'D.	DISCIPLINE	DATE RETURNED	RESPONSE
75	IHC Construction Company	Utility connection points are unclear, please clarify. We assume the water is at the pressure connections across street. The storm is all onsite with just 1 lid change at street entrance. The sanitary is unclear, is it in the street which is completed or stubbed up to the drop MH (detail included for that). Existing storm MHs show up on google maps but not the sanitary.	C3.0 - revised and attached herewith		01.02.20	Civil	01.13.20	Refer to the revised C3.0. There are two pressure connection to the existing 10" water main in the island located west of the ring road. As stated, the storm is all onsite with one lid change at the southern street entrance. The sanitary connection will be made west of the existing Kane County Government Center. Most of the existing utility information text has been removed and the proposed sanitary sewer routing highlighted.
76	Solitt Construction	Civil drawings marked as "not for construction" shows existing utility lines over at existing Kane County Government Center. It does not appear that anything is being changed or new work proposed as the cross hatch says the same thing on proposed utility drawings as well.	C1.0, C2.0, C3.0, C4.0.		12.30.19	Civil	01.13.20	There is a proposed sanitary sewer connection that connects on the western side of the existing Kane County Government Center. Refer to revised C3.0 which has had most of the existing callouts removed and lineweights adjusted so it is easier to read and determine what is proposed.
77	L.J.Morse	Please check signage scope, below"  1). There are a few remaining RFIs: depths of dimensional logo and lettering; also the shield details on the dimensional logo – do they want this painted? Giclee print applied to face of fabricated logo?  2). Colored Anodized is a significant upcharge; Anodizing large letters is also costly and has considerable lead time – do you want a value engineered option as well? I am waiting on final numbers from my manufacturer			01.03.20	Arch	01.06.20	1). Depth of dimensional letters and logo to be 4 inches throughout. Refer to specifications for finish.
78	L.J.Morse	Depth of Signage DL-01			01.03.20	Arch	01.06.20	Refer to item #77
79	L.J.Morse	Depth of Halo Lite Signage (Kane County) - DL-02:  1). Letters - KANE COUNTY 2). LetterS - MULTI USE FACILITY 3). 2'-6" CLIENT LOGO			01.03.20	Arch	01.06.20	Refer to item #77
80	L.J.Morse	The Addendum #2-RFI #61 clarify that the Tectum panels per specification 0951113 to be provided for Alternate #6.  The Alternate #6 calling for furnishing and installing Tectum direct-attach ceiling panels attached to the deck.-Series 8175T10-total quantity of 630 panels. The series 8175T10 is 2' x 4' panels so 630 panels will be 5,040 SF. The specification 095113 calling for 4' x 8' panels so 630 panels will be 20,160 SF. Please clarify if we have to provide 630 panels size 2' x 4' or 4' x 8'.			01.03.20	Arch	01.06.20	Alternate is correct. Utilize 2x4 panels NOT 4x8 panels.

## RFI AND RESPONSE LOG

RFI NO.	CONTRACTOR	CONTRACTOR'S QUESTION	DRAWING REFERENCE	SPEC REFERENCE	DATE REC'D.	DISCIPLINE	DATE RETURNED	RESPONSE
81	Dome Corp. of North America	<p>1). Do you have an idea on the wall height you are looking for? Typical, is an 8' wall. But it looks like from the dome height you have, it would need a 12' concrete.</p> <p>2). Do you have an idea where it is going on the site, so we can take a look at the geo-tech report and see what the foundation requirements would be?</p> <p>3). Also, I assume you were looking at an asphalt floor? That is what is most common.</p>			01.03.20	Arch	01.06.20	<p>1). Wall height for Salt Dome shall be 12'-0" cast in place concrete.</p> <p>2). Refer to C2.1 for location</p> <p>3). Flooring - as specified on Civil drawings</p>
82	L.J.Morse	My question is regarding Sheets C2.0 & C2.1 vs C2.0A & C2.1A . These are both Site Geometric and paving pans but the A depicts alternate work that I just done see ? Please clarify.	C3.1, C1.2A, C3.1A, C3.2A, C4.2A		01.03.20	Civil	01.13.20	The changes are on the utility sheets. There are two options to meet the storm water storage requirements. The Base Bid uses a Storm Trap to store the water. Refer to The colored sheet highlighting the base bid items. It is worth mentioning that due to the loads being placed on parking area, plastic detention vaults and CMP will not be acceptable alternatives. The Alternate Bid expands the existing basin south of the existing wetland. Refer to the 4 red colored sheets highlighting the Aternate Bid Items. Note that the alternate fee should include removal of the basin soils from the site. There shall be no vehicular traffic across the wetland area between the building area and the expanded basin.
83	Troop Contracting, Inc.	Will the AISC Quality certification for the steel be waived or no?			01.03.20	Structure		Refer to item #19 in this RFI Log addressed in Addendum #2, issued on 12.30.19
84	The Brucker Company	Would it possible for Price Industries to quote the VAV, GRDS and Silencers and Greenheck for the Manual Volume Dampers, Roof Top Units and Make-Up Air Units. We would meet the specification requirements that is specified in each of the sections. If there are additional information we would need to provide to be allowed to bid the specified equipment's?		Division 23	01.03.20	Mechanical	01.13.20	Bid per contract documents
85	IHC Construction Company	Specification Section 281500 issued in Addendum 002 references Section 281300 Access control System Software and Database Management. Please provide specification section 281300.		281500 and 281300	01.03.20	Electrical	01.13.20	Reference to Division 281300 is not applicable

## RFI AND RESPONSE LOG

RFI NO.	CONTRACTOR	CONTRACTOR'S QUESTION	DRAWING REFERENCE	SPEC REFERENCE	DATE REC'D.	DISCIPLINE	DATE RETURNED	RESPONSE
86	Autumn Construction Services, Inc.	I have a couple question for the mechanical portion of the project. 1). Hose reel-1 model number (HD78080 OLP) cannot be found. Is that the correct model number? 2). Please provide a detail of how the hose reels are supported in the middle of the room. 3). Will an enlarged plan view be provided to show what equipment the 1/2" and 3/4" is tying into. Also provide an Air Compressor detail. 4). Who is responsible for furnishing and installing the cooler and freezer? 5). Will each gas fired equipment need to have its own gas regulator?			01.03.20	Mechanical	01.13.20	1). Use HD78050 OLP 2). Hose reels are to be supported from structure with unistrut system or similar as required. 3). No enlarged plan will be provided. 4). G.C. to furnish and install Freezer and Cooler. 5). Yes.
87	Lite Construction, Inc.	1). Should we only quote Norlake even though kolpak designed this walk in? Project manual states Norlake Scientific Hudson, Wisconsin as acceptable manufacturers 2). Why is there 2 heights? (Refer to Cooler/Freezer Schedule on sheet M4.1	M4.1		01.06.20	Arch / Mechanical	01.06.20	1). Kolpak is basis of design for the freezer and cooler or equal 2). Refer to contract documents.
88	L.J.Morse	1). What's the difference between the 'Metal Casework' and the 'Healthcare Casework'? It looked to me that all of it was 'Metal Casework'. Where is the 'Healthcare Casework' located (room, elevation, etc)? 2). Where does Detail 8 & 9/A9.3 apply? I didn't see it on any of the Wall Sections?		123570 and 123553.13	01.06.20	Arch	01.06.20	1). All Casework in Autopsy Suite area shall be Healthcare Caseworks per Divison 123570. All other Metal Casework shall be per Metal Casework Divison 123553.13 2). Listed details are for Window Type C4 in Offices S160 and S161.
92	AIT	The spec on the Mirage "Oxy" OX-04 Royal White as a 3 x 6 size which is not very typical for Porcelain (Usually it's a Ceramic Subway Tile size) so I want to see if I can get some clarification from you on this. If you see that last email from the Flooring Contractor bidding this he said the drawings show a 12 x 24 size for this tile but the drawings/spec info state a 3 x 6 and he thinks this may be a typo? Can you please confirm size?			01.03.20	Arch	01.06.20	All tile shall be 12x24 inches in size
93	L.J. Morse	I am unable to locate pricing for a MOHAWK LIFT MODEL LMF-12. Is there an updated model number or product?	A10.1 and A10.1B revised and attached herewith	112100 - revised and attached herewith	01.07.20	Arch	01.07.20	Refer to revised Equipment Schedule and specification - attached herewith

## RFI AND RESPONSE LOG

RFI NO.	CONTRACTOR	CONTRACTOR'S QUESTION	DRAWING REFERENCE	SPEC REFERENCE	DATE REC'D.	DISCIPLINE	DATE RETURNED	RESPONSE
94	L.J.Morse	I'm being told that these only come refurbished and not new. Is that what we are to provide?  G. Portable X-ray Machine (Equipment Tag "7") 1. Description: Portable X-Ray Machine 2. Dimensions: 45.5" L X 25.5" W X 76" H 3. Model #: GE DEFINIUM AMX 700	A10.1 and A10.1A	112100	01.07.20	Arch	01.07.20	Yes
95	Autumn Construction	Please review the attached questions:  1). Are the requested alternates 2G and 3G needed? Is Alternate 6A the same as Alternate 7? Also, the bid form included in the Specifications does not have enough lines to write in all of the requested alternates and unit prices.  2). Is fireproofing of structural steel or metal decking required?  3). What type of waterproofing is required for the below grade precast wall panels and CMU walls?			01.06.20	Arch/ Structure/ Mechanical	01.13.20	1). Yes, No  2). No.  3). None required.
96	R.C. Wegman Construction	1). What is the design temperature of the cooler and freezer?  2). The drawings show a 4" depression in the concrete slab for the cooler and freezer room. Insulation alone will not stop the cold from penetrating into the subgrade and potentially causing heaving in the freezer. Freezers typically have an underfloor "heating system" which I did not see. Please confirm one is not required?  3). What is the CMU wall between the cooler/freezer for? It could be eliminated and cooler/freezers share walls at the time.  4). Specification 093013 Ceramic Tiling calls for CT-2 to be Mirage Oxy OX04 Royal White 3" X 6". This tile is not made in a 3" X 6" size. Should the size be 12" X 24"?  5). Follow up question to RFI Log #52 Response: Please confirm that you want ½" tempered glass in Doors D5, D8 and HM Sidelites F3?			01.06.20	Arch	01.13.20	1). Refer to Item #12 in this RFI Log addressed in Addendum #2, issued on 12.30.19  2). Underfloor heating system is not required.  3). Provide bid as per contract documents.  4). Refer to Item #92 in this RFI Log addressed in Addendum #3, issued on 01.06.20  5). MG-1 glass shall be 1/4" thick tempered glazing at all locations

## RFI AND RESPONSE LOG

RFI NO.	CONTRACTOR	CONTRACTOR'S QUESTION	DRAWING REFERENCE	SPEC REFERENCE	DATE REC'D.	DISCIPLINE	DATE RETURNED	RESPONSE
97	Camosy Construction	<p>1). The civil plans show a berm to be made with the additional soil left over after construction, but minimum topsoil depth, and seeding instructions for this area are not provided on the civil drawings or shown on the landscaping drawings. Please advise how the landscape contractor should determine the scope of furnishing and seeding this berm.</p> <p>2). It appears that the hose reel – 1 model number (HD78080 OLP) doesn't exist. Is this the correct model number?</p> <p>3). It doesn't appear that there is a current detail for how the hose reels are to be supported in the middle of the room(s). Does the architect anticipate providing a detail that shows this?</p> <p>4). Does each gas fired piece of equipment need to have its own gas regulator?</p>	C3.1, C1.2A, C3.1A, C3.2A, C4.2A		01.06.20	Civil / Mechanical / Arch	01.13.20	<p>1). Berm area shall have a minimum topsoil depth of 6". Refer to the specifications. All disturbed areas for the berm shall be planted in one of three ways; hydroseed, seed and blanket or sod. Refer to the specifications</p> <p>2). Refer to response for item #86 in this RFI Log.</p> <p>3). Refer to response for item #86 in this RFI Log</p> <p>4). Refer to response for item #86 in this RFI Log</p>
98	Sjostrom and Sons, Inc.	<p>A few questions we talked about</p> <p>1). The roofing system is spec'd as fully adhered. They would save a ton of money if the insulation, coverboard and substrate board were all screwed down in lieu of all the adhesive. Can we give a voluntary alt for mechanically attached?</p> <p>2). Detail 12/A6.21. We can do 8" face that's ES1 certified with one piece instead of it being multiple pieces as shown.</p> <p>3). Section includes installation of sound-absorbing insulation strips in ribs of roof deck. Soundabsorbing insulation strips are furnished under Section 053100 "Steel Decking." We will only install the soundproofing and it will be provided by a different trade?</p>			01.06.20	Arch	01.13.20	<p>1). Yes. Voluntary alternates are encouraged.</p> <p>2). Acceptable.</p> <p>3). Sound absorbing insulation strips are part of acoustical metal deck system. Acoustical panels as a separate system.</p>
99	FQC	Looking at this project they have Resilient transitions of rubber in spec sheet with Roppe and Johnsonite as manufacturers and Schluter is listed in blueprint, A9.12. If Schluter is meant to be the product can they provide a part numbers as I don't find anything that meet these profiles.	A9.12 - revised and included herewith	096513	01.06.20	Arch	01.13.20	Floor transitions have been revised; refer to sheet A9.12 - revised and included herewith, and specifications.



## RFI AND RESPONSE LOG

RFI NO.	CONTRACTOR	CONTRACTOR'S QUESTION	DRAWING REFERENCE	SPEC REFERENCE	DATE REC'D.	DISCIPLINE	DATE RETURNED	RESPONSE
100	FQC	<p>1). Is it possible to get a cleaner set of civil drawings for C3.0 and C3.0A? There is quite a bit of notes overlapping each other and it makes it very hard to decipher.</p> <p>2). I'm having a difficult time understanding if the water main that we are to install is (2) 10" pressure connections to existing or to be installed. It cuts off at the top left of C3.0. I assume that means its existing but I want to make sure the water main scope is clear.</p> <p>3). On sheet C3.1 they show a number of catch basins on top of the southern edge of the storm trap. Are these access risers? They are also shown on C3.1A with pipe going to them which makes more sense. Do these structures need to be deleted on C3.1?</p> <p>4). Sheet C4.3 alludes to a stockpile area for soils. Is the cost of haul off of the spoils to be included in the site utility installation or can our spoils be stock piled in this area to be shaped by the excavation contractor?</p> <p>5). I have found an additional question on sheet C3.0. The civil engineer is calling out MH-112 to have a sump pump installed in it. They do have no any type of detail associated with it that I can find on the civil drawings. Can we ask for clarification as to how they want the MH built and the pump installed?</p>	C1.0 - C4.2A		01.06.20	Civil	01.13.20	<p>1). Attached are the revised plans that have the pdf removed and just the existing linework included. This will be easier to read</p> <p>2). There are 2 pressure connections to the existing 10" watermain. The watermain then travels across the existing loop road and goes around the building. Refer to the revised C3.0 sheets.</p> <p>3). There are two options to meet the storm sewer requirements. One shall be the basebid, and the other shall be the alternate. Provided are two colored exhibits to highlight what the differences are.</p> <p>4). The spoils can stay on site and be shaped by the contractor. Shaping shall be done so the area is sloped to drain. All disturbed area shall be either hydroseeded, seed and blanket or sod in accordance with the landscaping specifications.</p> <p>5). The note has been removed to avoid confusion as this is an existing manhole and existing pump.</p>

## RFI AND RESPONSE LOG

RFI NO.	CONTRACTOR	CONTRACTOR'S QUESTION	DRAWING REFERENCE	SPEC REFERENCE	DATE REC'D.	DISCIPLINE	DATE RETURNED	RESPONSE
101	FQC	<p>I have reviewed the drawings and have the following questions:</p> <p>1). It appears that the total building square footage with above mezzanine and below mezzanine protection may be greater than 52,000 sf. This means an additional fire sprinkler riser/control valve will be needed. Please confirm how or where you would prefer for the (2) systems to be separated.</p> <p>2). In the Archival Storage area, the bottom of steel appears to be approximately 11-0 above finished floor (high side) which will limit the height of storage for this area. No specified storage types, storage arrangements (i.e. in racks with or without solid shelves or height of storage) or commodity classifications were provided. Please confirm the hydraulic design density/sprinkler spacing for the archival storage area</p> <p>3). Please confirm that seismic and/or earthquake bracing is not required for the fire sprinkler piping.</p> <p>4). Are the IDF rooms (C117, S149 and F171) to be protected by the wet sprinkler system?</p> <p>5). Please confirm the storage arrangement/commodity classifications of any stored products and the hydraulic design criteria and sprinkler spacing for the Haz. Mat Storage/Autopsy room C135, Freezer C136 and Cooler C137.</p> <p>6). Is there additional sprinkler protection required for any additional storage fixtures in the Freezer or Cooler, we are assuming that only protection at the freezer/cooler ceiling is required. Please confirm.</p> <p>7). Please confirm the height of the stacks in Coroners Archives Storage room C116.</p> <p>8). Please confirm there will be a minimum of 40 degrees in the Sally Port</p>			01.06.20	Fire Protection / Arch / Structure	01.13.20	<p>1). Fire protection contractor to zone system as required.</p> <p>2). Hydraulic design criteria to be per NFPA.</p> <p>3). Seismic bracing is required per Federal, State and Local requirements.</p> <p>4). Yes.</p> <p>5). Hydraulic design criteria to be per NFPA.</p> <p>6). Additional sprinklers for storage fixtures in the freezer/cooler will not be required.</p> <p>7). Height of Archival Shelevs to be 12' -0" maximum.</p> <p>8). Sally Port HVAC system is designed to maintain space temperature at &gt;40° F when the doors are closed.</p>
102	FQC	<p>1). The finish schedule indicates 3x6 CT 2 in rooms 130 to 135. The plans depict 12x24 Ct 1 in same areas. Which is correct</p> <p>2). Finish Schedule indicate CT 3, Please clarify CT 3 finishes as it is not clarified under Porcelain Tile Selections</p> <p>3). Please clarify the intersection of wall tile meeting epoxy cove base.</p>			01.06.20	Arch	1.13.20	<p>1). Refer to response for item #92, in this RFI Log addressed in Addendum 3, issued on 01.06.20</p> <p>2). Refer to response for item #47, in this RFI Log addressed in Addendum 2, issued on 12.30.19</p> <p>3). Continuous epoxy floor and cove base with a schluter termination bar and tile above.</p>
103	FQC	The specs call for the steel fabricator to be AISC qualified. Will this be waived?			01.06.20	Structure	1.13.20	Refer to item #19 in this RFI Log addressed in Addendum #2, issued on 12.30.19

## RFI AND RESPONSE LOG

RFI NO.	CONTRACTOR	CONTRACTOR'S QUESTION	DRAWING REFERENCE	SPEC REFERENCE	DATE REC'D.	DISCIPLINE	DATE RETURNED	RESPONSE
104	FQC	Addendum #2 only answered a few of the questions for signage. No answers for interior sign types and schedule. Still have no idea what the 2 large Kane county seals are made of. Looking at the drawing, it appears to be something that is installed on the masonry, not a part of the masonry or is it? Can you please clarify?			01.07.20	Arch	1.13.20	Refer to item #4, 5, 22 and 77 in this RFI Log addressed in previous Addenda 2 and 3
105	R.L.Sohol General Contractor, Inc.	I am trying to prepare a bid on the windows for the Kane county Multi Use Project. Are there Specifications for the windows ? the only specs I can find are for storefront work. Are all the openings in the building to be storefront?			01.07.20	Arch	1.13.20	Yes.
106	R.L.Sohol General Contractor, Inc.	High performance coatings on the floor in rooms F182, F180, F183, S151, S152, S153, S162, S163, and S164 are of what specification?	A9.11 and A9.12 - Revised and included herewith		01.07.20	Arch	1.13.20	Refer to item #24 in this RFI Log addressed in Addendum 3, issued on 01.06.20
107	F.H.Paschen	<p>1). A follow up question to RFI #59. Your response on RFI #59 refers to an existing access road off of Bircher. The existing access road is actually off of Peck Road and dead ends into the parking lot south of the County Jail building. Please confirm that we can use this existing road and run construction traffic through the existing parking lot to the construction site.</p> <p>2). Additional specifications are needed for the salt dome. Please provide information for foundation type/depth, slab on grade thickness, perimeter concrete wall height/thickness, overhead door size/type, interior/exterior lighting, bollards, etc.</p>			01.06.20	Arch	01.13.20	<p>1). The existing construction access road used during the Jail construction is off of Peck Road. This access road dies into the south Jail parking lot. The MUF contractor can utilize the select portions of existing south parking lot for access during construction and/or build new access roads at their discretion, provided that NO damage to asphalt or concrete curbs occurs or if it does the damage MUST be repaired. The sketch attached shows the potential to utilize portions of the parking lot for access. Any access stone placed for construction in areas except where the existing access road remains shall be restored. The contractor also can build an access road off of Bircher Road as shown on the Civil Drawings C4.2A. This is a wetland and any access road stone and landscaping MUST be restored as required.</p> <p>2). The dome shall be a Design-Build based on the Dome Corporation of North America size indicated in Addendum #1 (32' dia, 465 CY Capacity) with 12' high CIP walls, one motorized OH door (15' wide with appropriate surround) , bollards at the opening and standard lighting package.</p>
108	Carlson Construction	<p>1). For any of the items removed from the equipment schedule, designated supplied by owner, whom would we contact to bid these items directly?</p> <p>2). One thing I wanted to point out is the schedule is requesting a 150 PSI compressor. This compressor will product about 150 PSI but after all of the pressure drop from the filters and integrated dryer is accounted for, this will put out 135 PSI. Think that will cover what they are looking for?</p>	A10.1 and A10.1B	112100	01.07.20	Arch	01.13.20	<p>1). Refer to items in this RFI Log addressed in Addendum 4, issued on 01.07.20</p> <p>2). Additional compressor shall be provided per Addendum 4, issued on 01.07.20</p>

## RFI AND RESPONSE LOG

RFI NO.	CONTRACTOR	CONTRACTOR'S QUESTION	DRAWING REFERENCE	SPEC REFERENCE	DATE REC'D.	DISCIPLINE	DATE RETURNED	RESPONSE
109	F.H.Paschen	<p>1). Specification section 101100 "Visual Display Units" is included and describes markerboards. No markerboards can be found on the drawings. Please confirm markerboards are to be provided and indicate sizing and location on the drawings.</p> <p>2). Specification section 122413 "Roller Window Shades" indicates both manual and motorized window shades. Details 1,3, and 4 on page A6.11 indicate manual operation window shades are typical for the storefront and window installations. Please confirm no motorized window shades are to be provided at these locations.</p>	Revised - A9.11 included herewith	101100	01.07.20	Arch	01.13.20	<p>Refer to revised Room Finish Schedule include in this addendum for further information</p> <p>2). Refer to response for item #134 in this RFI Log</p>
110	Lite Construction	Do we need to retype the information on page 27 of the spec book in regards to the "Familial Disclosure..." form.			01.07.20	Arch	01.13.20	Notary can fill in and sign and notarize the document in the Project Manual
111	Trakett	I have been getting some pricing requests for this project and noticed a discrepancy in the specs. Powerbond resilient backing and carpet tile backing are both called out. Can you let me know which one you prefer as they are different prices?			01.07.20	Arch	01.13.20	Powerbond resilient backing
112	F.H.Paschen	Specification section 122413 "Roller Window Shades" indicates the shade band material of the window shades to be "Light-filtering fabric and light-blocking fabric. Refer to drawings". No additional information is given on the drawings. Additional information including manufacturer will be necessary for an accurate proposal. Please provide this additional information.		122413	01.07.20	Arch	01.13.20	Refer to response for item #134 in this RFI Log

## RFI AND RESPONSE LOG

RFI NO.	CONTRACTOR	CONTRACTOR'S QUESTION	DRAWING REFERENCE	SPEC REFERENCE	DATE REC'D.	DISCIPLINE	DATE RETURNED	RESPONSE
113	R.C. Wegman Construction	<p>1). Pipe bollards around columns: Please confirm they need to be poured in the trench footing as shown on 4/A7.3? Bollard locations and heights must be established and poured in place, and precast needs to be set after bollards are already in place?</p> <p>2). C1.0 does not show required saw-cutting, curb removal and pavement removal required for the south water main crossing. (The north water main crossing in the street is shown.)</p> <p>3). C2.0: to be installed in existing drive: "Relocated Gates and Card Reader": where are these items being relocated from?</p> <p>4). C2.0 and E100 do not match, please correct so we know what one applies.                      a). C2.0 shows relocated gates and card reader in existing street. E100 does not show this.                      b). E100 shows new gates and card reader in new south entrance drive. C2.0 does not show this. A1.1 also does not show gates and card reader in this location.</p> <p>5). How do we know where solid surface window sills are required? Are we to assume they are needed at all Type A exterior windows? The only cut indicating solid surface sills is 1/A6.11 (and 7/A6.21) – a cut through the window in Administrative Area A102.                      a). Where is detail 9/A9.3 used? (Solid Surface at window head). I cannot find where that detail is called out from.                      b). Where is detail 8/A9.3 used? I cannot find where that detail is called out from.</p>	<p>1/A6.11, 7/A6.21, 2/A6.18, 3/A6.18 and 4/A6.18</p> <p>Revised 8 and 9/ A9.3 is included herewith</p> <p>C1.0, C2.0, C4.0</p>		01.07.20	Arch/ Structure/ Civil / Electrical	01.13.20	<p>1). Refer to 3/S3.2 for additional footing detail at pipe bollards. Refer to 3/A7.3 for bollard locations.</p> <p>2). The curb removal and replacement has been added.</p> <p>3). The existing items are approximately 375' north, in the roadway. Contractor shall relocate or remove existing and provide new in accordance with RFI response 17</p> <p>4). The relocated and new card readers will be required per the civil drawings.</p> <p>5). All Type A windows to receive solid surface sill - 1/A6.11 and 7/A6.21</p> <p>All Type C4 windows in Offices S160 and S161 to receive solid surface sill - Revised 8/A9..3 and attached herewith</p> <p>Clearstory windows Type B on grids 4,6 and 8 also to receive solid surface sill - Refer to 2/A6.18, 3/A6.18 and 4/A6.18</p> <p>a). and b). Applicable for Window Type C4 - Revised detail included herewith</p>
114	Johnson Controls Fire Protection	<p>1). Are we to quote exactly what is illustrated on the drawings or is this a design-build?</p> <p>2). How many waterflow/tamper switches are we to provide? Drawings are not clear with showing this.</p> <p>3). E4.6 (FA riser diagram) shows a third annunciator in the vehicle storage S164 but I did not see a device there on the drawing, is there indeed a third annunciator located in this room?</p> <p>4). Based on the mechanical schedule on M4.0 with CFM ratings, I am will provide 3 duct detectors on each RTU, another on the DOAS unit, and another on the Energy Recovery Unit, so 5 total. Are there any additional that should be included?</p>			01.07.20	Electrical	1.13.20	<p>1). The drawing is minimum scope. The successful low bidder is responsible for the final design.</p> <p>2). To be coordinated with the sprinkler system design, which is design /build.</p> <p>3). Yes. Each of the three occupancies should have an annunciator.</p> <p>4). As mandated for air handling equipment by the mechanical code (minimum 2000cfm).</p>

## RFI AND RESPONSE LOG

RFI NO.	CONTRACTOR	CONTRACTOR'S QUESTION	DRAWING REFERENCE	SPEC REFERENCE	DATE REC'D.	DISCIPLINE	DATE RETURNED	RESPONSE
115	Industria Construction Services	<p>1). Please provide a model number/weight capacity for the floor mounted scale: Scale Platform (Equipment Tag "4")</p> <p>2). Please provide a specification for Division 31, 32, 33.</p>		331100, 312000, 321216, 321313, 321373, 323113, 329100, 329200, 329300, 331100, 333100, 334100 - included herewith	01.07.20	Arch / Civil	1.13.20	<p>1). Refer to item #48 in this RFI Log addressed in Addendum 2, issued on 12.30.19</p> <p>2). Specifications are included for these sections with Addend 5, issued on 01.13.20</p>
116	Industria Construction Services	<p>3). Please provide additional detail for the installation of the support railing/steel for the Overhead Motorized Lift (Equipment Tag 3). The supplier is unable to quote the job with the drawings/specs provided.</p> <p>From the Manufacturers site, is this the correct mounting steel detail? If so, where is the steel shown on the plans? What is the size of the beam?</p> <p>Overhead Motorized Lift (Equipment Tag 3) - The manufacturer is also requiring a runway length and a bridge width. Should we assume it's the dashed line on A7.26?</p>			01.07.20	Arch	01.13.20	3). Refer to contract documents
117	Industria Construction Services	<p>4). Equipment tag 6 – The basis of design, #796600 has two shelves, are we to add beams to the rack to create 6 shelves or are we to combine units 3 units vertically to create 6 levels of racks? Are the floor welded braces and 12 gauge welded base plate anchors standard with the kit or a accessorie? If they are add on accessories please provide a model number.</p> <p>5). Please provide MEP requirements for Owner supplied Contractor installed equipment.</p>			01.07.20	Arch	01.13.20	<p>4). Combine 3 units to create 6 shelves and strictly adhere to manufacture's recommendations. No exceptions. Provide all accessories required for fully functional system.</p> <p>5). Refer to items in this RFI Log addressed in Addendum 4, issued on 01.07.20</p>
118	Industria Construction Services	<p>6). Does the contractor require to submit Performance, Payment, Labor and Material Bond at the time of bid?</p> <p>7). Does the contractor require to submit Certificate of Insurance at the time of bid?</p> <p>8). As per the prequalification checklist, Contractor is required to submit affidavit of employee screening. Please clarify which documents should we submit. Are there any specific forms?</p> <p>9). As per the prequalification checklist, Contractor is required to submit applicable license(s). Please clarify the type of license(s) being required.</p> <p>10). As per the prequalification checklist, Contractor is required to submit Qualification questions section of the Bid Form. Please clarify – does it mean to fill out specification section 004000? If not, then which questions shall we answer?</p> <p>11). Who is responsible to contract and coordinate the BIM contractor?</p>			01.07.20	Arch	01.13.20	<p>6). No P&amp;P bond is required until the project is awarded</p> <p>7). No Certificate of Insurance needed until the project is awarded</p> <p>8). No affidavit is required with Bid</p> <p>9). Licenses are not required to be submitted with the Bid</p> <p>10). The Bid Form contains a Relevant Experience Verification Form that must be filled out and the A305 Qualifications Form shall also be completed and included with the Bid.</p> <p>11). Refer to response for item # 27 in this RFI log that was issued with Addendum 1 issued on 12.30.19 and revised with Addendum 5</p>



## RFI AND RESPONSE LOG

RFI NO.	CONTRACTOR	CONTRACTOR'S QUESTION	DRAWING REFERENCE	SPEC REFERENCE	DATE REC'D.	DISCIPLINE	DATE RETURNED	RESPONSE
119	Henry Bros. Co.	<p>1). What structural concrete foundations are required under the salt dome and storage bins? Addendum 3 clarified the a 12'-0" wall will be required above grade. Please clarify.</p> <p>2). Addendum 2 stated that the storage bins are to have 2' X 2' X 6' precast concrete blocks at 3'-0" high around storage bins. How can it be 3'-0" high when the blocks are made in 2'-0" increments? The detail on drawing C5.1 leads you to believe that they are 4 units tall, which would be 8'-0" high. Please clarify.</p> <p>3). Are lead lined walls and ceilings required in room C131 X-Ray? Please clarify.</p> <p>4). Provide a manufacturer and model number for the 55" TV in the Equipment Schedule under Keynote 24 on drawing A10.1.</p> <p>5). Is the owner providing the washer and dryer in C132- Laundry on detail 4/A8.5? Please clarify.</p> <p>6). What floor finish is on the stairwells to the mezzanine? High performance coating, polished concrete, or sealed concrete? Please clarify.</p> <p>7). Drawing A9.12 calls for 6" integral cove base for the resinous flooring and section 096723 calls for 4". Please clarify correct height.</p> <p>8). For the resinous flooring and high performance coatings, will only (1) color/pattern be chosen per type? Please clarify.</p> <p>9). In areas of exposed ceilings, will all the items being painted have only (1) color selected? Drawing A3.1 mentions as directed by architect. Please clarify.</p>		112100 and New Division 113013 Appliances included herewith	01.07.20	Arch	01.13.20	<p>1). Refer to item #107 in this RFI Log addressed</p> <p>2). Correction to Addendum 2 - the concrete block shall be as per diagram shown of C5.0</p> <p>3). No.</p> <p>4). Refer to Division 112100 Building Equipment</p> <p>5). G.C to provide washer and dryer as per Division 113013 Appliances - included herewith</p> <p>6). Sealed Concrete</p> <p>7). Refer to response for item #64 in this RFI Log addressed with Addendum 3, issued on 01.06.20</p> <p>8). Resinous Flooring will have 2 colors. High performance Coting will have 1 color.</p> <p>9). Yes.</p>

## RFI AND RESPONSE LOG

RFI NO.	CONTRACTOR	CONTRACTOR'S QUESTION	DRAWING REFERENCE	SPEC REFERENCE	DATE REC'D.	DISCIPLINE	DATE RETURNED	RESPONSE
120	Henry Bros. Co.	<p>10). What type of paint is to be used to paint the exposed ceilings? There is no material designation in the room finish schedule on drawing A9.11. Please clarify.</p> <p>11). Drawing A2.2 says to reference drawing A2.4 &amp; A2.5 for wall types, but they are not included in the bid set.</p> <p>12). What type of wall base is required at the high performance coatings flooring in section 099600? Please clarify.</p> <p>13). Are the walls above the porcelain wall tile in Autopsy Room C130 to be painted? The finish schedule on drawing A9.11 only lists CT-1 for all the walls, but drawing A7.27 has drywall above the wall tile. Please clarify what paint type is to be used.</p> <p>14). Detail 1/A6.24 references 5/8" dens glass attached to the 8" CMU and then a fluid applied A/V/M barrier. Is the 5/8" dens glass required for this application? Please clarify.</p> <p>15). Section 101100- Visual Display Units is listed in the specifications, but there are none called out on the plans with sizes and types. Please clarify.</p> <p>16). Please clarify all the locations for the corner guards listed in section 102600.</p> <p>17). None of the room numbers are listed in the floor and wall finish plans, which make it difficult to match them up with the finish schedule on drawing A9.11. Please provide room numbers.</p>	A9.12, A9.13, A9.14A, A9.14B and A9.14C - revised and included herewith		01.07.20	Arch	01.13.20	<p>10). Refer to contract documents</p> <p>11). Partition Types are only shown on A2.11; reference to A2.4 and A2.5 is incorrect.</p> <p>12). Refer to contract documents.</p> <p>13). Paint above tile as per 4 and 5 /A7.27; PT-1; Refer to A9.11 and Division 099123</p> <p>14). Not at CMU backup wall locations.</p> <p>15). Refer to response for item #109 in this RFI Log.</p> <p>16). Refer to General Notes on A2.11. for corner guard locations. Corner Guards shall be 10'-0" high, typical</p> <p>17). Revised sheets included herewith</p>

## RFI AND RESPONSE LOG

RFI NO.	CONTRACTOR	CONTRACTOR'S QUESTION	DRAWING REFERENCE	SPEC REFERENCE	DATE REC'D.	DISCIPLINE	DATE RETURNED	RESPONSE
121	Henry Bros. Co.	<p>18). Addendum 3 mentioned room 152, 153, 162, &amp; 163 to have the high performance coatings and all other rooms to have polished concrete. If that is the case, then revised drawing A9.12 with the hatch patterns for those rooms</p> <p>19). What is the size of the CMU below the lockers and benches referenced in detail T1.2? Please clarify.</p> <p>20). Drawing A7.22 has some lines on the walls of the entries of doors C123 &amp; C127. Please clarify what they are since there is no accessory type tags.</p> <p>21). Drawing A9.11 lists CT-1 in Custodian S150, but drawing A9.14B shows that room to have PT-1. Please clarify the correct wall finish and height if ceramic tile is required since there are no elevations.</p> <p>22). Will the owner be providing the sanitary napkin dispensers since there are none listed in the specs? Please clarify.</p> <p>23). Does a mop and broom holder get installed in every custodian room? What height are they to be installed at? Please clarify.</p> <p>24). Is the owner providing the refrigerator in Staff Lounge F172 &amp; Staff Lunch C106? Please clarify a manufacturer and model number if not.</p> <p>25). On drawing A7.29, does the wall with the slop sink get ceramic wall tile? There are no elevations and it is not clear on drawing A9.14A. Please clarify.</p>	A8.11, A9.11, A9.12 and A9.13 - Revised and attached herewith.	102800 New Division 113013 Appliances included herewith	01.07.20	Arch	01.13.20	<p>18). Revised and attached herewith.</p> <p>19). Refer to detail attached herewith on A8.11</p> <p>20). The lines represents Gear Hooks. Refer to Division 102800 Toilet Bath and Laundry Accessories for further information. Correction to Quantity: 10 count in each restroom</p> <p>21). PT-1 is the correct finish.</p> <p>22). Not required.</p> <p>23). Moutnig Height: 5'-0" AFF. Refer to 102800 for further information.</p> <p>24). G.C. to provide all appliances per Division 113013 Appliances - included herewith.</p> <p>25). Refer to contract documents.</p>
122	Henry Bros. Co.	<p>1). Is hydroseed acceptable for the site spoils berm on drawing C4.3? Please clarify.</p> <p>2). Is an additional crosshatch striping required for the ADA parking stalls? There are (3) parking stalls and only (2) crosshatches at (2) locations. The locations on drawings C2.1, C2.1A, &amp; A1.1 do not match. Please clarify.</p> <p>3). Are any ADA tactile warning tiles required in the concrete sidewalks? Are there any depressed curbs around the building? None are shown. Please clarify.</p>	C2.1, C3.1, C4.1	329200	01.07.20	Civil	01.13.20	<p>1). Yes. Hydroseeding is acceptable.</p> <p>2). No. ADA recently changed there requirements and accessible stalls can share a striped area. Refer to the civil sheets for the correct striping.</p> <p>3). There are no ADA tacitle warning tiles planned. The depressed curb lineweight has been thickened to help with legibility. Besides locations around the building, callouts have been added to the exterior curb where there are multiple 5' wide curb cuts.</p>

## RFI AND RESPONSE LOG

RFI NO.	CONTRACTOR	CONTRACTOR'S QUESTION	DRAWING REFERENCE	SPEC REFERENCE	DATE REC'D.	DISCIPLINE	DATE RETURNED	RESPONSE
123	Henry Bros. Co.	<p>1). The concrete curb layout for the trash enclosure on drawing C2.1A does not match the layout in A1.1 &amp; A1.1A. Drawing C2.1A shows asphalt and drawings A1.1 &amp; A1.1A show concrete. The detail on A1.1A calls for 4" concrete paving, but 4" is not a typical thickness for paving. Please clarify the correct layout, material, &amp; thickness.</p> <p>2). Drawing C2.1A shows asphalt for the transformer &amp; generator location and drawings A1.1 &amp; A1.1A show concrete. Please clarify correct material and thickness.</p>	A1.1, A1.1A and C2.1		01.07.20	Arch / Civil	01.13.20	<p>1). Concrete curb layout on A1.1A shall be followed. The trash enclosure pad shall be concrete with a cross section of 6" PCC on 6" Aggregate, Type B, Crushed.</p> <p>2). The transformer and generator pad shall both be concrete with a cross section of 6" PCC on 6" Aggregate, Type B, Crushed.</p>
124	Henry Bros. Co.	Are any frost walls required for the exterior door stoops? None are shown on drawing S2.1. Please clarify.	S2.1 and 8/S3.1		01.07.20	Structure	01.13.20	Refer to contract documents
125	Visseing Construction Company	<p>1). We have been informed that the 1250 balancer listed is now the 15300D balancer.</p> <p>2). Also, please clarify the following:</p> <p>a). Is the balancer to be 1 PH or 3 PH</p> <p>b). Is the RC55 tire change to be electric table top or air table top</p>			01.08.20	Arch	01.13.20	<p>Noted.</p> <p>2). See below:</p> <p>a). Balancer - Single Phase</p> <p>b). RC-55 is to be Air Table Top</p>
126	Rack'm Up Equipment Distributors	Addendum 004 - Shows cord reels, are they ReelCraft? Is there a Drawing A3.1C? That would be the second part of A3.1B. Looking at drawing M2.1C just shows air reels. Are there cord or oil on that drawing?	A3.1C		01.08.20	Arch	01.13.20	Refer to contract documents
127	IHC Construction Companies, LLC.	We received Addendum 04 yesterday for the referenced project, and it states that some of the issues will be addressed in the addendum to be issued on 1/13/20. Our estimator feels that this is a fair amount of information we're waiting for and since the addendum will be issued only three days before the bid, he's asking if there will be a time extension?			01.08.20	Arch	01.13.20	Bid due date and time have been revised to the following: 1.22.2020 at 2:00 pm
128	Osman Construction Corporation	Per spec section 230900 BAS system below are the listed manufacturers. Can Siemens equipment be used? As they are capable of furnishing an equivalent product and capable of installing it.			01.08.20	Arch	01.13.20	No. Siemens is not an acceptable BAS vendor or installer.
129	FQC	I have had many call from the trades asking when the documents will be complete, so they can finalize figures. When will we see answers to civil and mechanical questions that have been around since the beginning of the release of documents, if the 13th, that will not be enough time to understand the new work scope and revise figures. How are we to provide VE Options when we can't get base bid requirements settled. Will the bid be extended?			01.08.20	Arch	01.13.20	Bid due date and time have been revised to the following: 1.22.2020 at 2:00 pm

## RFI AND RESPONSE LOG

RFI NO.	CONTRACTOR	CONTRACTOR'S QUESTION	DRAWING REFERENCE	SPEC REFERENCE	DATE REC'D.	DISCIPLINE	DATE RETURNED	RESPONSE
130	Osman Construction Corporation	In addendum #4 there was a revised Specification 112100 issued. In the revised specification is a narrative description for the fuel station but no actual equipment specification or plans. Understanding this there is not enough information to provide a bid for the fuel station. Are more plans and specification being issued for the fuel station?	Cut sheets		01.08.20	Arch	01.13.20	Cut sheets for fuel tanks to be provided at Fueling Station - included herewith. Below is the list of fuel tanks: (1) 3000 gallon, gasoline tank delivery system (1) 500 gallon, diesel tank delivery system (2) fuel management systems (one for gasoline, one for diesel)
131	Osman Construction Corporation	Is there a spec for the security cameras and equipment available? Or is this being furnished and installed by owner?	Memo -0 5 included herewith		01.08.20	Electrical	1.13.20	Refer to Memo - 05 included herewith for information on Security Camera locations and requirements.
132	L.J.Morse	1). Is the casework on A8.12 stainless steel per Specification 123570 or metal casework per Specification 123553.13?  Addendum#2 - RFI #51 SS-1 is going to be Metal Counter Top. A8.11-2 But this page shows Plam C-top A8.11-3 This Page shows Solid Surface C-top This blue print is not accurate answer for case work - Plam or SS?  N/A There is no finish schedule for laminate, can you provide color name and manufacture or standard?	A8.11 and A8.12 - revised and included herewith		01.08.20	Arch	01.13.20	Casework details and elevations on A8.11 and A8.12 - revised and included herewith,  Plastic Laminate Finish - finishes to be elected as follows: <u>Vertical Surfaces</u> : Premium grade; Finish: TBD <u>Horizontal Surfaces</u> : Stainless Steel, Solid Surface or Wood
133	Osman Construction Corporation	1). On both stairs....for a single span stair with no intermediate platform the allowable height per code is 12' from finished to floor to finished floor. The height from the floor to mezzanine floor is 15'-6". Code requires an intermediate landing on these stairs. To comply with code the stairs will need to be redesigned, or is there a code the architect can provide that allows this design? How are we to proceed?  2). On all railings and guardrails...all steel post need to be upsized to a minimum of 1.1/2" diameter pipe. A 1" diameter post is not structurally sound. Also the top handrail is bigger than the post. Per drawings post are 1" diameter and handrails are 1.1/2" diameter. Is this correct?	A7.11 and A7.12		01.08.20	Arch	01.13.20	1). Proceed per contract documents  2). All Newel Posts at every @ 4'-4" maximum distance O.C. shall be 1 1/2" diameter and intermediate post shall be 1" diameter @ 4" O.C. Max.

## RFI AND RESPONSE LOG

RFI NO.	CONTRACTOR	CONTRACTOR'S QUESTION	DRAWING REFERENCE	SPEC REFERENCE	DATE REC'D.	DISCIPLINE	DATE RETURNED	RESPONSE
134	F.H.Paschen	<p>1). Drawing A8.12 has a detail for the workbench. Where is this workbench located?</p> <p>2). Drawing Sheet A8.5 Det. 4 and A7.21 Dets. 1-4 call for tile type CT-1. The finish schedule on A9.11 calls for tile type CT-2 for these locations. Please confirm the required finish</p> <p>3). Ceramic Tiling Spec 093013 section 2.5C calls for waterproof membrane under Tile type CT-2 only (CT-3 removed by addendum #2). Should waterproof membrane also be applied in wet areas such as restrooms/showers which are called out as CT-1?</p> <p>4). Specification section 101100 "Visual Display Units" is included and describes markerboards. No markerboards can be found on the drawings. Please confirm markerboards are to be provided and indicate sizing and location on the drawings.</p> <p>5). Specification section 122413 "Roller Window Shades" indicates both manual and motorized window shades. Details 1,3, and 4 on page A6.11 indicate manual operation window shades are typical for the storefront and window installations. Please confirm no motorized window shades are to be provided at these locations</p> <p>6). Specification section 122413 "Roller Window Shades" indicates the shade band material of the window shades to be "Light-filtering fabric and light-blocking fabric. Refer to drawings". No additional information is given on the drawings. Additional information including manufacturer will be necessary for an accurate proposal. Please provide this additional information.</p>	A9.11 - Revised and included herewith		01.08.20	Arch	01.13.20	<p>1). Refer to response for item #60 in this RFI Log addressed in Addendum 1, issued on 12.30.19</p> <p>2). Refer to response for item #47, in this RFI Log addressed in Addendum 2, issued on 12.30.19</p> <p>3). Yes. Refer to further information on partition A2.11 Partition Types and Details</p> <p>4). Refer to response for item #109 in the RFI Log</p> <p>5). Roller Shades:  a). At all Window Type A locations. Provide manually operated roller shades.  b). Autopsy Suite Only. Clerestory Window Type B. provide motorized operated roller shades.</p> <p>6). Provide light filtering white fabric at 50%, at all roller shades.</p>
135	F.H.Paschen	7). The section views of the cabinets on the Sheet A7.28 Dets. 2 and 3 & A8.11 Det. 1 show these base cabinets with stainless steel legs. However, the specs in section 123570 – 4 under part H states "provide metal toe space, fully enclosed...with no open gaps or pockets" which I assume refer to a closed toe-kick and not legs. Is it fine to quote these with our standard closed toe-kicks, not the legs?			01.08.20	Arch	01.13.20	All metal cabinets including stainless steel and painted metal shall have legs and no closed bottom/toe kick. Division 123570 will be revised during IFC.
136	F.H.Paschen	1). Since the walk-in freezers have a suspended ceiling has the structure above them been engineered to support the added weight of the ceiling panels?			01.08.20	Arch / Structure	01.13.20	Freezer/Cooler Ceilings shall be self supported ceiling. Bid as per contract documents
137	F.H.Paschen	1). Sheet C4.3 of the civil plans shows a berm to be made with any additional soil left over after construction, but minimum topsoil depth, and seeding instructions for this area are not provided on the civil drawings or shown on the landscape plans. Please provide instructions as to how the landscape contractor should determine the scope of finishing and seeding this berm.	C4.3	329200	01.08.20	Civil	01.13.20	The spoils can stay on site and be shaped by the contractor. Shaping shall be done so the area is sloped to drain. All disturbed area shall be seeded in accordance with the revised landscaping plans and specifications.



## RFI AND RESPONSE LOG

RFI NO.	CONTRACTOR	CONTRACTOR'S QUESTION	DRAWING REFERENCE	SPEC REFERENCE	DATE REC'D.	DISCIPLINE	DATE RETURNED	RESPONSE
138	F.H.Paschen	With the last addendum set to be issued on 01/13 with significant changes to Civil and MEP scopes, will there be a bid extension?			01.08.20	Arch	01.13.20	Bid due date and time have been revised to the following: 1.22.2020 at 2:00 pm
139	F.H.Paschen	For Bid Form Section F - Schedule of Values:  1). Should subcontractor GC's/OH&P be included in that line item along with General Contractor GC's/OH&P or should subcontractor GC's/OH&P be spread out across their Labor/Material/Equipment pricing?  2). Are we required to provide a list of subcontractors we will be utilizing? If so, can multiple subcontractors be listed for each trade?  3). For Bid Form Section H – Personnel/Schedule, please clarify, what is the difference b/w "Identify Lead Time of Major Equipment after Shop Drawing Approval" and "List Lead Time after Shop Drawings Review"?  4). For the Relevant Experience Verification Form - "List of Current Workload and Status (projected through 2020)" Should this be for the key personnel listed or for the whole company?			01.08.20	Arch	01.13.20	1). Subcontractor GCs/OHP shall be spread out across labor/material/equipment costs.  2). Just list key subcontractors and which trades they will be responsible for  3). No difference.  4). Both for key personnel and company wide.
140	Osman Construction Corporation	The salt dome as specified does not include the concrete walls and foundations as identified in RFI response 81. Can you provide the concrete foundation and wall design for this?			01.08.20	Arch / Structure	01.13.20	Refer to response for item #107 in this RFI Log
141	The George Sollitt Construction Company	Please provide further information for the Lubricant Tank (Equipment Tag # 17), so that the installation costs can be figured accordingly.			01.08.20	Arch	01.13.20	Refer to items addressed in Addend #4, issued on 01.07.20
142	All Construction Group	1). Are the requested alternates 2G and 3G needed? Is Alternate 6A the same as Alternate 7? Also, the bid form included in the Specifications does not have enough lines to write in all of the requested alternates and unit prices.  2). Is fireproofing of structural steel or metal decking required?  3). What type of waterproofing is required for the below grade precast wall panels and CMU walls?  4). Per A5.1/2, please confirm the note for thin brick 'TBRK-02' is a type-o and should read brick 'BRK-02'.  5). Per A7.27 please clarify, are the walls to receive tile up to 12' 6" only and then then balance to be painted?			01.08.20	Arch	01.13.20	1). Refer to response for item #95 in this RFI Log  2). Refer to response for item #95 in this RFI Log  3). Refer to response for item #95 in this RFI Log  4). Thin Brick is identified as "TBRK" and Face Brick is identified as "BRK".  5). Yes.

## RFI AND RESPONSE LOG

RFI NO.	CONTRACTOR	CONTRACTOR'S QUESTION	DRAWING REFERENCE	SPEC REFERENCE	DATE REC'D.	DISCIPLINE	DATE RETURNED	RESPONSE
143	IHC Construction Companies, LLC.	Please confirm unlabeled black circles at curb line on Drawing A1.1 are bollards or signage poles. They are also shown on Civil Drawings but not keynoted.	C3.1 - Revised and included herewith		01.08.20	Arch / Civil	01.13.20	Please ignore black circles on A1.1. Will delete later in IFC set. (Depict as catch basins; refer to Legend on C3.1 ).
144	The George Sollitt Construction Company	Per RFI #51 the question was asked about countertop SS-1 and the response provided was to refer to spec section 123616 Metal Countertops. Per the metal countertop specification the tops are stainless steel and are shown in the drawings as S/S per sheet A7.28 not SS-1.  SS-1 countertops are referred to in specifications 123661 Solid Surface Countertops, Part 2- Products.  Please confirm that all Plastic Laminate Casework is to receive solid surface tops (SS-1) and Healthcare and Metal Casework are to receive wood and stainless steel tops per the drawings as indicated.	A8.11 and A8.12 - revised and included herewith		01.09.20	Arch	01.13.20	Casework details and elevations on A8.11 and A8.12 - revised and included herewith,  Plastic Laminate Finish - finishes to be elected as follows: <u>Vertical Surfaces:</u> Premium grade; Finish: TBD <u>Horizontal Surfaces:</u> Stainless Steel, Solid Surface or Wood
145	Visseing Construction Company	Item # 21 on Equipment list Drawing from Addendum #4 - Part # noted is for Grease dispenser, not trans tank - We believe this should be 1135-017 please clarify			01.09.20	Arch	1.13.20	Correct Model # is 1135-017
146	F.H.Paschen	What is the height of the corner guards			01.09.20	Arch	1.13.20	10'-0" High
146	Lombard Architectural precast Products Co.	Question regarding the precast structural concrete  What is the mortar color at the thinbrick joints? I assume it is a backup mix grey color.			01.09.20	Arch	1.13.20	No. The mortar color at the thin brick joints to match TBRK-02
147	All Construction Group	We are not sure if the stairs as designed meet code due to the height. The height from finished floor to finished floor of mezzanine is 15'-6" per drawings. Code requires metal pan stairs over 12' from finished floor to finished floor must have an intermediate landing. Please advise.			01.09.20	Arch / Struct	1.13.20	Bid as per contract documents
148	FQC	Are the window shades motorized or manual , also where in the prints does it show what windows receive shades?			01.09.20	Arch	1.13.20	Refer to responses for item #134 in this RFI Log
149	Standard industrial and Automotive Equipment, Inc.	<i>Pallet Racking (Equipment Tag "6")</i>  <i>2. Basis of Design: GLOBAL INDUSTRIAL , MODEL # 796600, WITH 6 LEVELS OF RACKShanks</i>  This rack has 2 shelves per rack and the spec calls for 6 levels. - Do they want 3 racks, which would be 6 shelves or 6 racks that would be 12 shelves?			01.09.20	Arch	1.13.20	Refer to response for item #117 in this RFI Log

## RFI AND RESPONSE LOG

RFI NO.	CONTRACTOR	CONTRACTOR'S QUESTION	DRAWING REFERENCE	SPEC REFERENCE	DATE REC'D.	DISCIPLINE	DATE RETURNED	RESPONSE
150	FQC	There are areas on the Civil drawings that are slated to have blanket and seed that are not identified on the Landscape Drawings ... ie. The Stockpile berm and areas around the detention pond....Should we assume that all these areas will need to be additionally reseeded with a quality turf seed by the landscaper? Or are these areas covered under the excavators scope.		329200	01.09.20	Civil	01.13.20	All disturbed areas shall have hydroseeded, seed and blanket or sod applied to them.
151	Lyall, Thresher & Associates, Inc.	We are the local commercial plumbing rep for Grundfos and would like to quote this project, however, I cannot actual performance specifications for the booster system. I have looked at the schedule on the plans and the booster specification. In the specification, it says XXX gpm at XXX PSIG. Can you please help? Thank you.	Memo 6 - included herewith		01.09.20	Plumbing	01.13.20	Refer to Memo 6 included in Addendum 5, issued on 01.13.20 for booster pump flow and head
152	Alright Concrete Company	Concrete note 7 on sheet S1.1 states that the interior slab on grade is to be placed in strips of maximum 30' width. This will require several additional pours at an extreme cost, and is not typical for current placement methods. Please clarify if this construction joint placement limit will be required.			01.10.20	Structure	01.13.20	G.C. can pour the strips alternately at the same time. The pours shall be broken with construction joints not control joints.
153	Rack'm Up Equipment Distributors	Grease – is it going to be a roll around 400lb 55 gal drum? Grease reels?			01.10.20	Arch	01.30.20	Yes.
154	L.J.Morse	1). Is the Roof Hatch to be 3' x 3' (aluminum) per the Roof Accessories specification or 3'-0" x 5'-4" as shown on roof plan? 2). Is there Roofing work on the Salt Dome? Where is the Roof Plan for the Salt Dome?	A4.1	0772200	01.10.20	Arch	01.13.20	1). 3'-0" x 5'-4" 2). Salt dome is design build/turn-key which should include the roofing and is part of the project.
155	R.L.Sohol General Contractor, Inc.	1). Is the Roof Hatch to be 3' x 3' (aluminum) per the Roof Accessories specification or 3'-0" x 5'-4" as shown on roof plan? 2). Is there Roofing work on the Salt Dome? Where is the Roof Plan for the Salt Dome?			01.10.20	Arch	01.13.20	Refer to responses for item #155 in this RFI Log
156	IHC Construction Companies LLC	1). Drawing C4.2A includes an area to be blanketed. Does this area require seed? It is not shown on the landscaping plan. If so, will be turf seed? 2). Drawing C4.3 shows a new berm area. Please clarify the size of the area and advise if it is to have seed/blanket?	C4.2A and C4.3	329200	01.10.20	Civil	01.13.20	1). All disturbed areas shall have hydroseeded, seed and blanket or sod applied to them. Refer to the landscaping specifications. 2). The berm and area of disturbance is there to assist the contractor in balancing the earthwork. The size and area are dependant on the contractor's earthwork analysis. The final slope should be a maximum 4:1 and the are shall have silt fence around it. See response to #1.

## RFI AND RESPONSE LOG

RFI NO.	CONTRACTOR	CONTRACTOR'S QUESTION	DRAWING REFERENCE	SPEC REFERENCE	DATE REC'D.	DISCIPLINE	DATE RETURNED	RESPONSE
157	FQC	<p>1). How is the CT 1 and Ct 2 wall tile meeting the epoxy cove base? What type of metal transition should be installed at bottom of tile? What finish (ex stainless steel)</p> <p>2). CT 1 is drawn where CT 2 is indicated, finish schedule on Addenda 2 confirms CT 2, drawings depict Ct 1- huge cost difference- Please provide some direction</p>			01.12.20	Arch	01.13.20	<p>1). Refer to response for item#102 in this RFI Log</p> <p>2). CT - 2 is in Autopsy Suite and Hazmat Areas only.</p>
158	FQC	Is this correct that it must be sole sourced through Mechanical Inc?	Memo 6 - included herewith		01.10.20	Mechanical	01.13.20	No. Refer to Memo 6 included in Addend 5, issued on 01.13.20 for additional acceptable installing contractors.
159	R.C. Wegman Construction Company	<p>1). Deduct Alternate No 2 and 3: Exterior Finish Options: e. Replace Brick Veneer &lt;BRK-01&gt; with Aluminum Composite Material Panel &lt;ACM-01&gt;.</p> <p>a). Question: Please confirm that BRK-01 does not exist? It is not listed on Elevation Finish Legend on A5.1-A5.3.</p> <p>b). Face Brick Veneer BRK-02 is indicated on the Elevation Finish Legend with a symbol of brick with a diagonal line hatch through it. It is mainly shown at upper areas by the Type B windows. However, there are a couple of lower areas where &lt;BRK-02&gt; is indicated with an arrow pointing (by the lower Type A windows). But, there is not a diagonal line hatch shown. This is confusing. Is it BRK-02 or isn't it? Please correct, so where ever BRK-02 is used, it is indicated with a diagonal line hatch through brick pattern.</p> <p>i). Does Alternate 2 and 3 include replacing BRK-02 at lower areas around Type A windows (that are not hatched) with ACM?</p>	A5.1 and A5.3 - revised and included herewith		01.10.20	Arch	01.14.20	<p>1). <i>Deduct Alternate No 2 and 3: Exterior Finish Options: e. Replace Brick Veneer &lt;BRK-01&gt; with Aluminum Composite Material Panel &lt;ACM-01&gt; - is not applicable</i></p> <p>a). BRK-01 is not used.</p> <p>b). Refer to revised elevations on A5.1 and A5.3 - included herewith</p> <p>i). Yes.</p>

## RFI AND RESPONSE LOG

RFI NO.	CONTRACTOR	CONTRACTOR'S QUESTION	DRAWING REFERENCE	SPEC REFERENCE	DATE REC'D.	DISCIPLINE	DATE RETURNED	RESPONSE
160	R.C. Wegman Construction Company	<p>2). Alternate No 4: In lieu of HPC-01, provide PCON-01. Polished concrete specification was removed. What is the flooring in lieu of HPC-01?</p> <p>3). Are we to paint tectum? In Alternate No 6, tectum in lieu of painted acoustical roof deck, the description says: Color: White. Confirm that the tectum is to come prefinished white, and a field applied finish is not required?</p> <p>4). Are we to paint/stain the dumpster enclosure or transformer/generator enclosure?</p> <p>5). Are we to paint gas piping on the roof?</p> <p>6). The interior painting specification does not include a dryfall product for exposed ceilings. The two products listed for the ceilings are 3x more expensive than dryfall. Can dryfall be accepted for painting exposed ceilings?</p> <p>7). How are we supposed to know what windows get roller shades?</p> <p style="padding-left: 20px;">a). How are we supposed to know what windows get manual shades and what windows get motorized shades? (122413 indicates that there are both manual and motor operated).</p> <p style="padding-left: 20px;">b). How is the electrician to know what windows they need to supply power to for motorized window shades, and also what panels control them?</p>			01.10.20	Arch	01.14.20	<p>2). <i>Sealed Concrete</i></p> <p>3). Tectum is to come prefinished - white. Field applied finish is not required.</p> <p>4). Finish: Stained; Color: TBD.</p> <p>5). Yes.</p> <p>6). Yes.</p> <p>7a and 7b). Refer to response for item #134 in this RFI Log addressed with Addendum 5, issued on 01.13.20</p>

## RFI AND RESPONSE LOG

RFI NO.	CONTRACTOR	CONTRACTOR'S QUESTION	DRAWING REFERENCE	SPEC REFERENCE	DATE REC'D.	DISCIPLINE	DATE RETURNED	RESPONSE
161	Visseing Construction Company	<p>1). In both the bid form and the instrucionts to bidders it mentions that voluntary alternates could be utilized to determine the low bidder, is this correct because of it is we may not know who the low bidder is at the bid opening?</p> <p>2). For the salt storage project since there is not a spec there are a number of questions:</p> <p style="margin-left: 20px;">a). the information we received from the manufacture has the footing for the concrete walls not below frost depth is this ok?</p> <p style="margin-left: 20px;">b). Is there a special sealer to be applied to the concrete walls?</p> <p style="margin-left: 20px;">c). Is there a special finish for the concrete walls or is as cast ok?</p> <p style="margin-left: 20px;">d). Is there an overhead door required?</p> <p style="margin-left: 20px;">e). Any electrical or mechanical required?</p> <p>3). I understand the owner will take care of the building permit, what about utility fees or SWPP fees?</p> <p>4). The bid form has an allowance for moisture mitigation, are we to assume that is for the entire project or is that for above and beyond what is required for the project?</p> <p>5). The bid form has an allowance for access doors, is there for all of them because there are a number of them shown in the drawings?</p> <p>6). Is a project sign required and if so what would it be?</p> <p>7). Spec 017700 indicates pest control, what is required?</p>			01.10.20	Arch	01.14.20	<p>1). Yes.</p> <p>2). Refer to response for item #107 and 154 addressed in Addendum 5, issued on 01.13.20</p> <p style="margin-left: 20px;">a). No.</p> <p style="margin-left: 20px;">b). No.</p> <p style="margin-left: 20px;">c). No.</p> <p style="margin-left: 20px;">d). No.</p> <p style="margin-left: 20px;">e). Yes - Electrical is required.</p> <p>3). Owner will take care of Utility Fees and SWPP Fees.</p> <p>4). Yes.</p> <p>5). Allowance for the Access Door in the bid form is in addition to the access doors shown in drawings.</p> <p>6). No.</p> <p>7). Refer to contract documents</p>



## RFI AND RESPONSE LOG

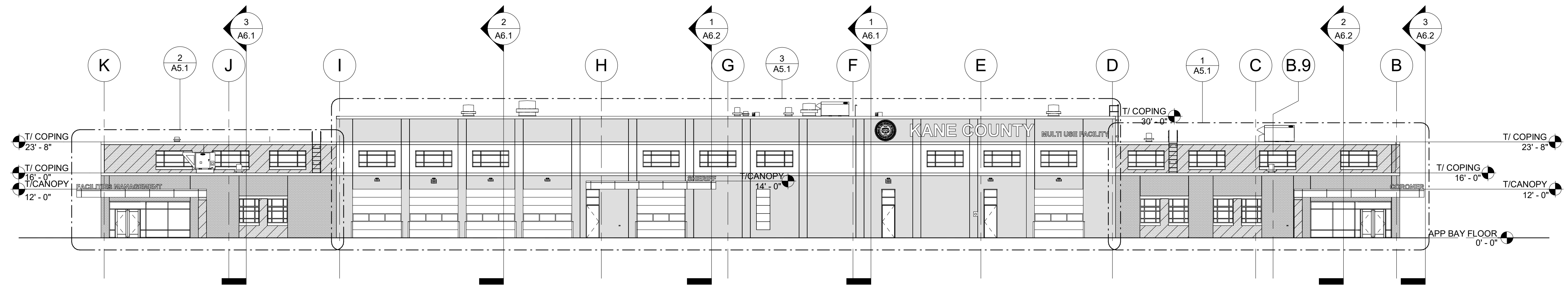
RFI NO.	CONTRACTOR	CONTRACTOR'S QUESTION	DRAWING REFERENCE	SPEC REFERENCE	DATE REC'D.	DISCIPLINE	DATE RETURNED	RESPONSE
162		<p>8). The bid form indicates we are to include a schedule with our bid, is this correct and if so is this something we can include within 214 hours like a number of other items on the bid form? due to the coordination with subs/suppliers this requirement would be very hard to meet unless a basic schedule would be ok.</p> <p>9). We have a subcontractor who has erected a number of our projects but is not pci certified, can this be waived base on past experience qualifications?</p> <p>10). The slab depression for the freezer/cooler what is the thickness of the slab 5" or 6"?</p> <p>11). The roof decking on sheet S2.4 has 1/3 of the area standard deck and the rest acoustical deck even though all areas are open to each other thru the mezzanine, is this correct?</p> <p>12). For the trench footing in S3.1 what are the ties and spacing?</p> <p>13). In detail 7/S4.1 what is the steel angle?</p> <p>14). Details for CMU wall tops shown for type E on A2.11 differ from the structural drawing detail on S/S4.2 which are we to use? Also both need further descriptions.</p> <p>15). In detail 5/S4.3 what is the size of the angle shown on the deck?</p> <p>16). Is there a spec for the ships ladder?</p> <p>17). The reflected ceiling plan indicates all 2x2 ceiling but the spec has a type that is 2x4, where would that go?</p>	S3.1, S4.1, S4.2, S4.3 - revised and included herewith		01.10.20	Arch/ Structure	01.14.20	<p>8). Basic schedule is acceptable at bid submission. Detailed schedule shall be submitted with 24 hours of bid submission.</p> <p>9). No.</p> <p>10). 5 inches, similar to rest of the slab.</p> <p>11). Yes.</p> <p>12). Refer to revised detail on S3.1</p> <p>13). Angle to be provided by precast manufacturer.</p> <p>14). Refer to revised detail on S4.2</p> <p>15). Agle to be provided by precast manufacturer.</p> <p>16). No. Design per OSHA Requirements and drawings.</p> <p>17). 2x4 Ceiling tile is not used.</p>
163		<p>18). The foundation insulation requirement is different from the architectural drawings and the structural drawings, which are we to use?</p> <p>19). Details 1,2,5,7/A7.3 indicate steel guards, what are they?</p> <p>20). What is the thickness of the stainless steel indicated in details 2,3/A7.27</p> <p>21). Detail 4/A7.3 and sheet C5.0 have different details for bollards, which are we to use?</p>	S3.1 and S3.2 - revised and included herewith		01.10.20	Arch / Structure	01.14.20	<p>18). Refer to revised S3.1 and S3.2 included herewith.</p> <p>19). Steel guards at locations indicated in referenced details shall be 4" x 4" x 1/4" painted steel angle 5'-0", mounted at 12" AFF.</p> <p>20). Same gauge as stainless steel cabinets</p> <p>21). Follow detail on 4/A7.3 and 3/S3.2</p>
164	George Sollitt Construction Company	West elevation detail 1/A5.3 shows three (3) type B windows between column lines 7-9 at the Sally Port On sheet A2.1A the floor plan for this area does not indicate any type B windows. Please advise if there are window on the west elevation of the Sally Port C138.	A5.3 - revised and included herewith		01.13.20	Arch	01.14.20	There will be three (3) windows on west elevation as shown on 1/A5.3.

## RFI AND RESPONSE LOG

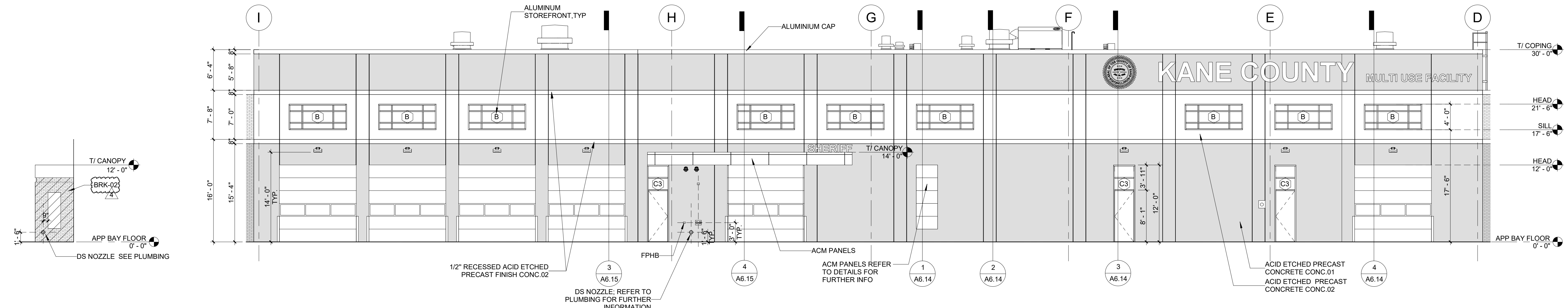
RFI NO.	CONTRACTOR	CONTRACTOR'S QUESTION	DRAWING REFERENCE	SPEC REFERENCE	DATE REC'D.	DISCIPLINE	DATE RETURNED	RESPONSE
165	IHC Construction Company, LLC.	The floor plan (drawing A10.1) shows (4) different locations for the JD5000 cadaver lift (keynote 5). Typically institutions will only have one or two of these lifts to pull the body trays off of the racks and then set the tray onto a separate cart which they then use to move the trays to other areas. Please clarify the number of cadaver lifts required. There are no carts listed in the equipment schedule. Are they owner furnished? Mopec does not recommend using the cadaver lifts to move the trays throughout the building. It is better and more safely accomplished with the use of carts.			01.13.20	Arch	01.14.20	Yes.
166	FQC	<p>1). RFI LOG # 157 says Ct 2 3x6 is to be used in autopsy room</p> <p>2). RFI Log #92 says all tile is to be 12x24? Which is correct?</p> <p>3). Is Epoxy grout finishes required in Autopsy Room if Ct 2 is not being used?</p> <p>4). Could you send another RFI to architect about clarification of Memo 5 that is part of Addendum 5, regarding Security Camera Requirements?</p> <p><i>Memo 5 requires that: "[...] Multi-Use Facility's surveillance system head end must connect with the Sheriff's Office surveillance systems and equipment." This memo does not identify what brand name and type of the existing system in Sheriff's Office is and therefore we don't know what system to propose.</i></p>			01.14.20	Arch	01.14.20	<p>1). RFI Log #157 - clarifies that there are two different tiles in the entire project (CT-1 and CT-2). CT-2 is used in all areas in Autopsy Room and Hazmat Room. Refer to contract documents and revised A9.11 issued with Addendum 5 on 01.13.20</p> <p>2). RFI Log #92 - clarifies the size for CT-2 shall be 12x24 and not 3 x 6 as indicated in the specification</p> <p>3). Ceramic tile finishes were not removed. Ceramic tile types were clarified. Provide epoxy grout finishes per specifications.</p> <p>4). The systems components are as follows:</p> <p>Video Recording Software: Tru Vision  Interface Software: Creative Technologies  DVR's: Tru Vision DVR 42  NVT EQUIPMENT:  * NV-16PS13-PVD  * NV-1672 UTP Digital EQ Receiver DA Hub</p> <p>Original Equipment Provider:  EO Integrated Systems, Inc.  Electronic Security Systems integrator  21700 – 31 MILE RD  Washington, MI 48095  Tel: 586-752-3200  Fax: 586-752-5270</p>
167	Lombard Architectural Precast Products, Co.	RFI #146 states the thinbrick mortar joints are to match TBRK-02(Georgetown), what about the joints at TBRK-01(Valley Forge)? Are we to match TBRK-01 also where this brick is indicated?	A5.1 and A5.3 - revised and included herewith		01.14.20	Arch	01.14.20	The mortar / precast color should match TBRK-02. The intent is to have one precast color throughout. Provide acid etched texture throughout. Achieve dark color (to match TBRK-01) via precast concrete stain. Refer to revised Exterior Finish Legend on A5.1 and A5.3 - attached herewith

## RFI AND RESPONSE LOG

RFI NO.	CONTRACTOR	CONTRACTOR'S QUESTION	DRAWING REFERENCE	SPEC REFERENCE	DATE REC'D.	DISCIPLINE	DATE RETURNED	RESPONSE
168	R.C. Wegman Construction Company	Are the "PAINTED STEEL ANGLE JAMB GUARDS ON EACH SIDE" as shown on 6/A7.3 to be embedded by the Precast Contractor, or are they to be installed by the Steel Contractor after the precast is installed?			01.07.20	Arch	01.14.20	Steel guards at locations indicated in referenced details shall be 4" x 4" x 1/4" painted steel angle 5'-0", mounted at 12" AFF.  Also refer to response for item #163
169	Sjostrom and Sons, Inc.	1). General Concrete Note 7 on S1.1 states slabs must be placed in strips of 30 foot maximum width. Notes on S2.1 state "provide control or construction joints per Arch and at 15' maximum". Do we need to place the slabs in 30 foot strips?  2). The same Note states that structural fibers can replace the specified WWF if approved by the Engineer. The Engineer wrote the Note so can we assume we can use fibers? If so we need a spec and quantity of fibers per CY.			01.14.20	Structure	01.14.20	1). Adhere to best practices, and industry standards for slab on grade construction.  2). Provide fiber content per manufacturer's specific recommendations.
170	R.C. Wegman Construction Company	Question 80 clarifies that we are supposed to provide (630 qty) 2'x4' tectum panels (NOT 4' x 8' panels). This would equal 5,040 SF. It is not enough material to cover rooms C130, S162, S163, S164, F180 and F183 as stated in Alternate 6. These (6) rooms total to approx. 19,316 square feet. (SEE ATTACHED)  Either 09 51 13, 2.2, A. 4. is correct (it indicates that the tectum panels are 4 x 8 panels).... 630 qty x 32 SF = 20,160 SF  Or  The quantity of (630) 2 x 4 panels is incorrect. (And it should be around 2,415 qty 2' x 4' panels) 2,415 x 8 SF = 19,320 SF  As it's stated, ceiling guys are quoting (630) 2' x 4' panels (as instructed to do so in Question 80), but I think it is incorrect. It won't be enough tectum.			01.14.20	Arch	01.14.20	Refer to contract documents

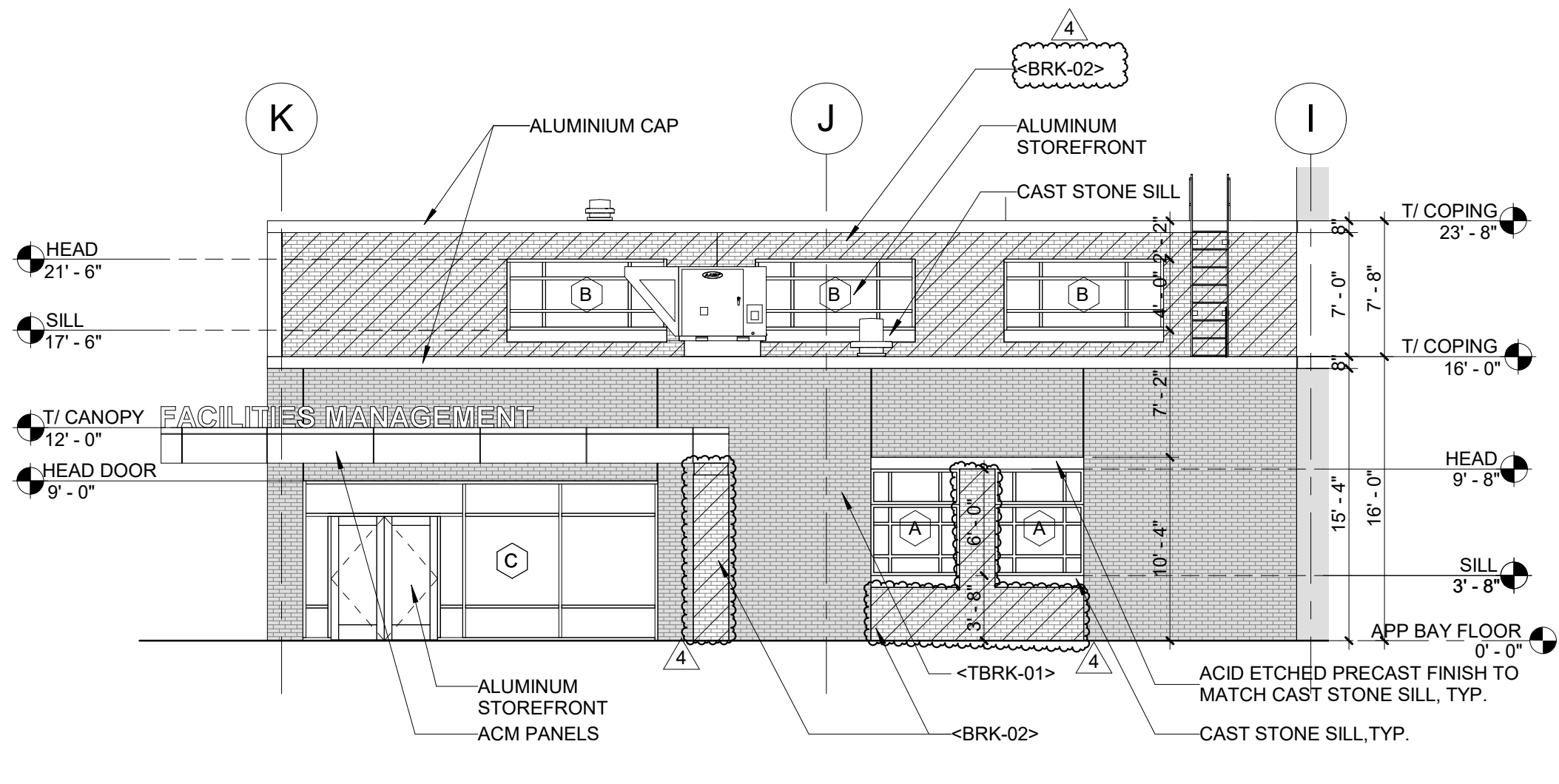


4 NORTH ELEVATION (REFER TO PRECAST PANEL ELEVATION ON 5/A5.11)  
 1/16" = 1'-0"

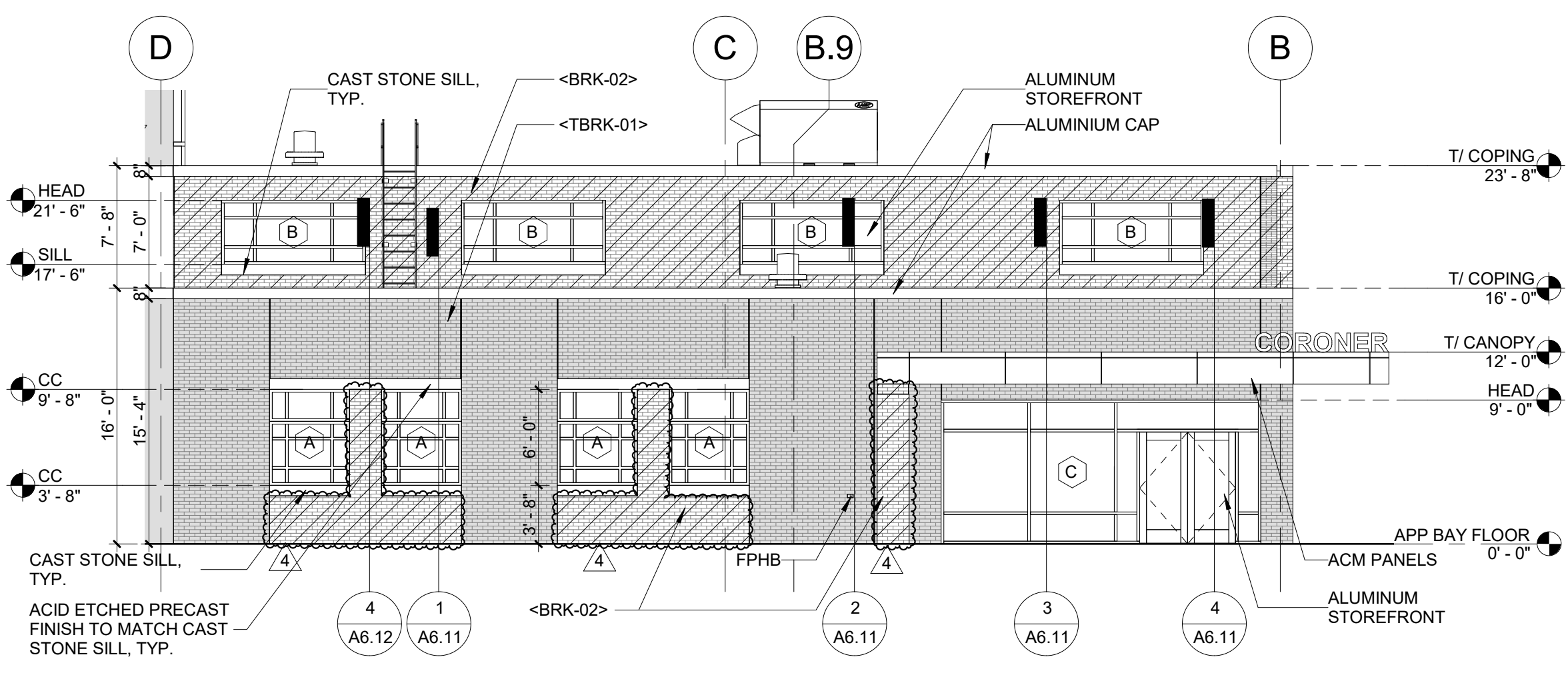


5 ENLARGED ELEVATION DETAIL  
 1/8" = 1'-0"

3 ENLARGED NORTH ELAVATION - SHERIFF AREA (REFER TO PRECAST PANEL ELEVATION ON 4/A5.11)  
 1/8" = 1'-0"

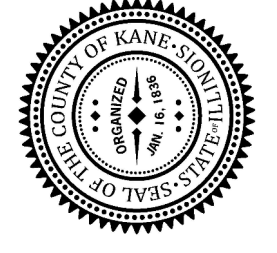


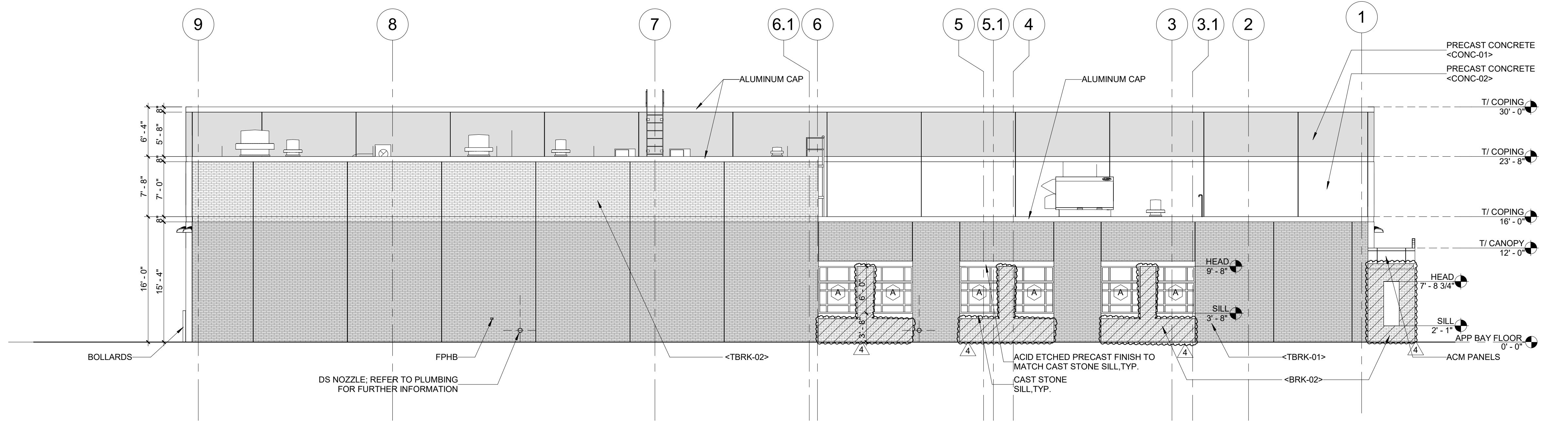
2 ENLARGED NORTH ELEVATION - FACILITIES MANAGEMENT AREA (REFER TO PRECAST PANEL ELEVATION ON 2/A5.11)  
 1/8" = 1'-0"



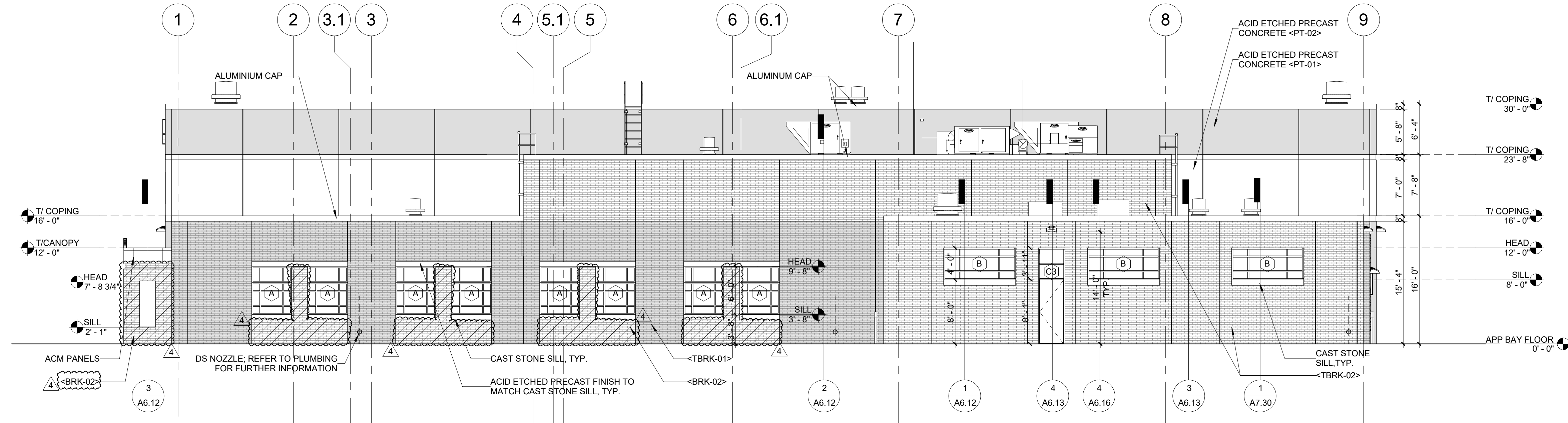
1 ENLARGED NORTH ELAVATION - CORONER AREA (REFER TO PRECAST PANEL ELEVATION ON 1/A5.11)  
 1/8" = 1'-0"

ELEVATION FINISH LEGEND	
SYMBOL	MEANING
[Symbol]	ACID ETCHED PRECAST CONCRETE WALL PANEL <CONC-01> STAIN TO MATCH *ALTERNATE: 2 - (PER SPEC); COLOR: <PT-01>
[Symbol]	ACID ETCHED PRECAST CONCRETE WALL PANEL <CONC-02> COLOR TO MATCH *ALTERNATE: 2 - (PER SPEC); COLOR: <PT-02>
[Symbol]	THIN BRICK VENEER OVER PRECAST CONCRETE PANEL <TBRK-01> SUMMITVILLE - 97 VALLEY FORGE; SIZE NORMAN; TEXTURE VELOUR *ALTERNATE: 2 - ACID ETCHED PRECAST PANEL; COLOR: <CONC-01> *ALTERNATE: 3 - PAINTED PRECAST PANEL; COLOR: <PT-01>
[Symbol]	THIN BRICK VENEER OVER PRECAST CONCRETE PANEL <TBRK-02> SUMMITVILLE - 27 GEORGETOWN; SIZE NORMAN; TEXTURE VELOUR *ALTERNATE: 2 - ACID ETCHED PRECAST PANEL; COLOR: <CONC-02> *ALTERNATE: 3 - PER SPEC; COLOR: <PT-02>
[Symbol]	FACE BRICK VENEER <BRK-02> TO MATCH THIN BRICK <TBRK-02> *ALTERNATE: 2 & 3 - PER SPEC; COLOR: TBD
[Symbol]	CAST STONE CAP AND SILL; COLOR: TBD





2 EAST ELEVATION (REFER TO PRECAST PANEL ELEVATION ON 2/A5.13)  
 1/8" = 1'-0"



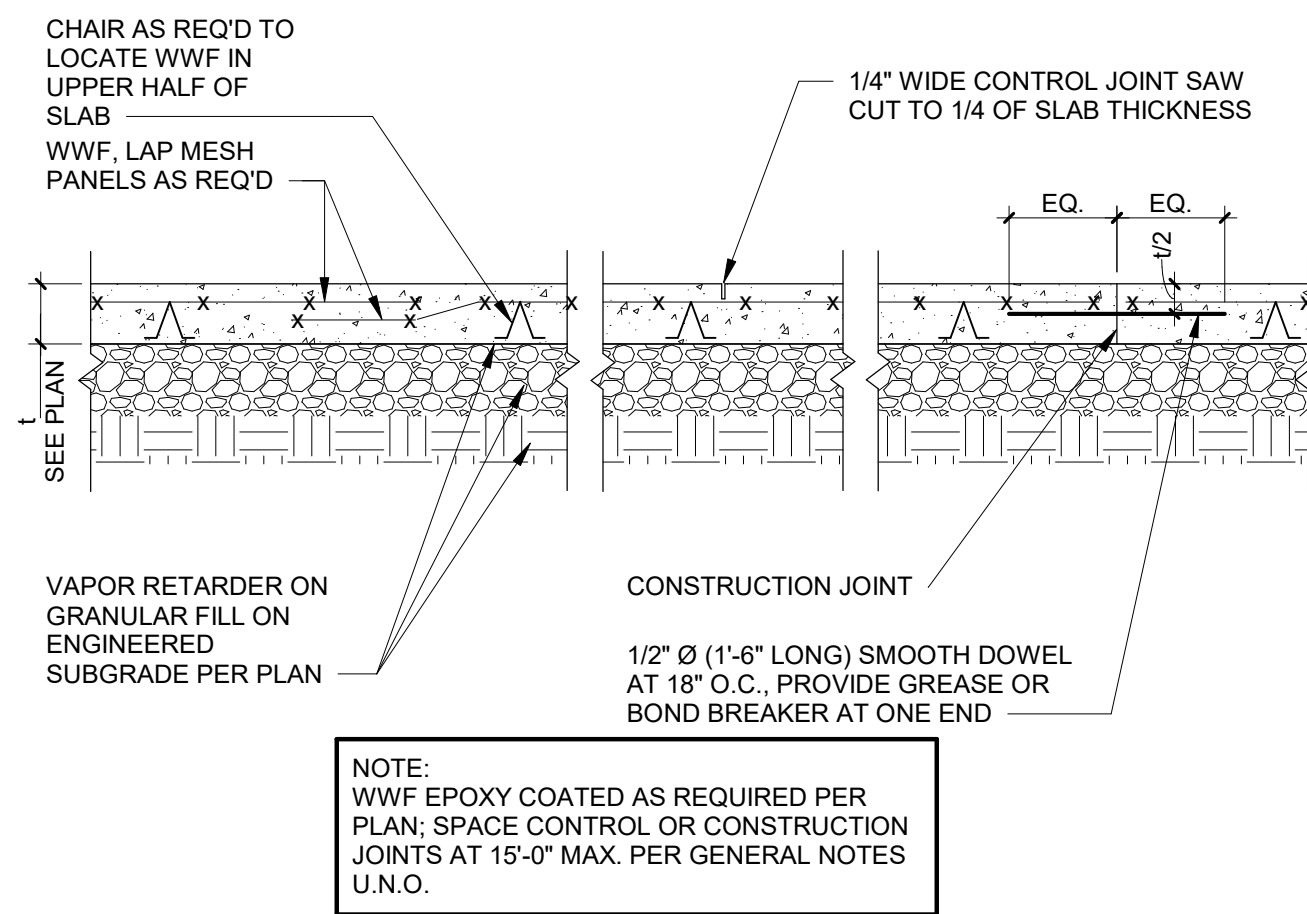
1 WEST ELEVATION (REFER TO PRECAST PANEL ELEVATION ON 1 & 3/A5.14)  
 1/8" = 1'-0"

**ELEVATION FINISH LEGEND**

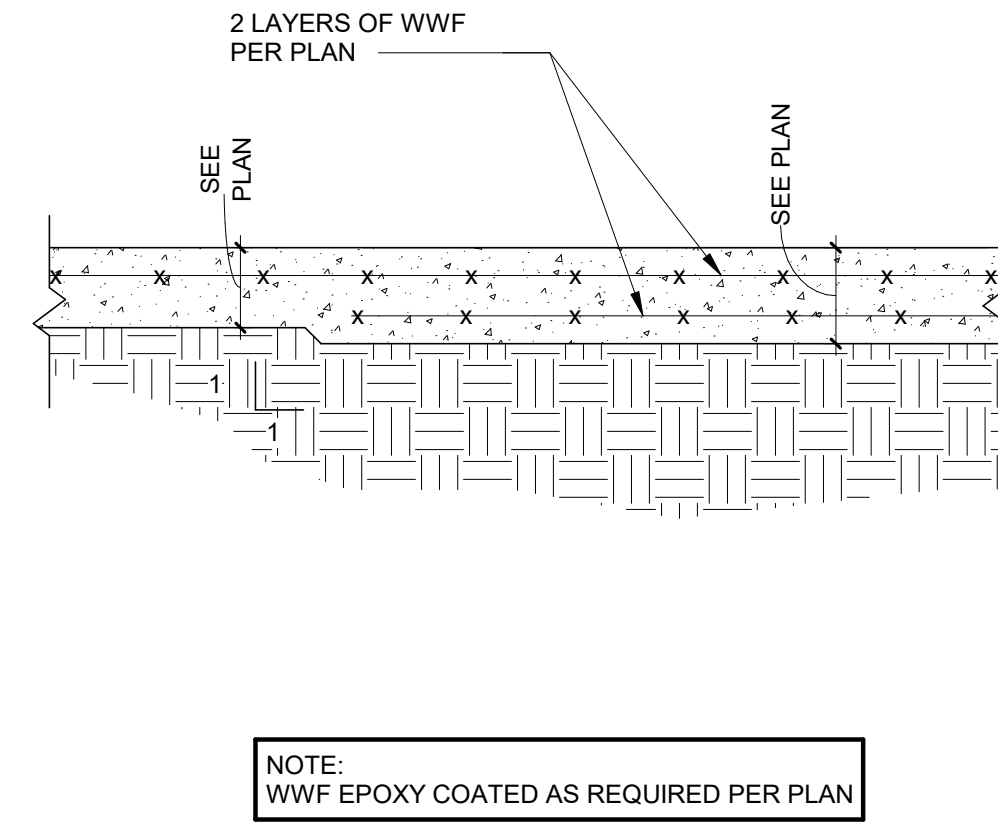
SYMBOL	MEANING
	ACID ETCHED PRECAST CONCRETE WALL PANEL <CONC-01> STAIN TO MATCH * ALTERNATE: 2 - (PER SPEC); COLOR: <PT-01>
	ACID ETCHED PRECAST CONCRETE WALL PANEL <CONC-02> COLOR TO MATCH * ALTERNATE: 2 - (PER SPEC); COLOR: <PT-02>
	THIN BRICK VENEER OVER PRECAST CONCRETE PANEL <TBRK-01> SUMMITVILLE - 97 VALLEY FORGE; SIZE NORMAN; TEXTURE VELOUR * ALTERNATE: 2 - ACID ETCHED PRECAST PANEL; COLOR: <CONC-01> * ALTERNATE: 3 - PAINTED PRECAST PANEL; COLOR: <PT-01>
	THIN BRICK VENEER OVER PRECAST CONCRETE PANEL <TBRK-02> SUMMITVILLE - 27 GEORGETOWN; SIZE NORMAN; TEXTURE VELOUR * ALTERNATE: 2 - ACID ETCHED PRECAST PANEL; COLOR: <CONC-02> * ALTERNATE: 3 - PER SPEC; COLOR: <PT-02>
	FACE BRICK VENEER <BRK-02> TO MATCH THIN BRICK <TBRK-02> * ALTERNATE: 2 & 3 - PER SPEC; COLOR: TBD
	CAST STONE CAP AND SILL; COLOR: TBD



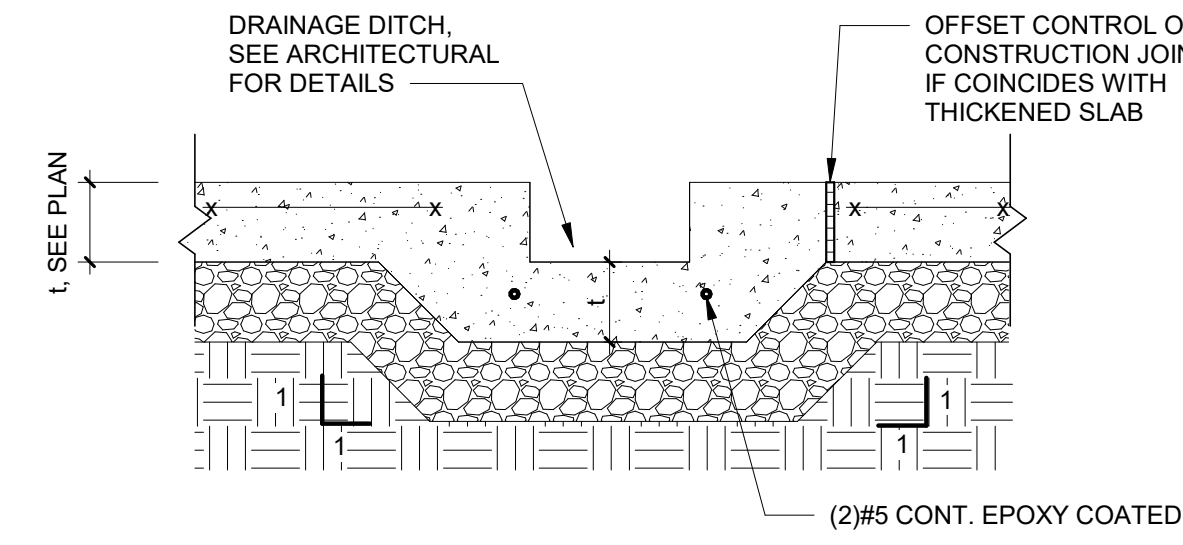




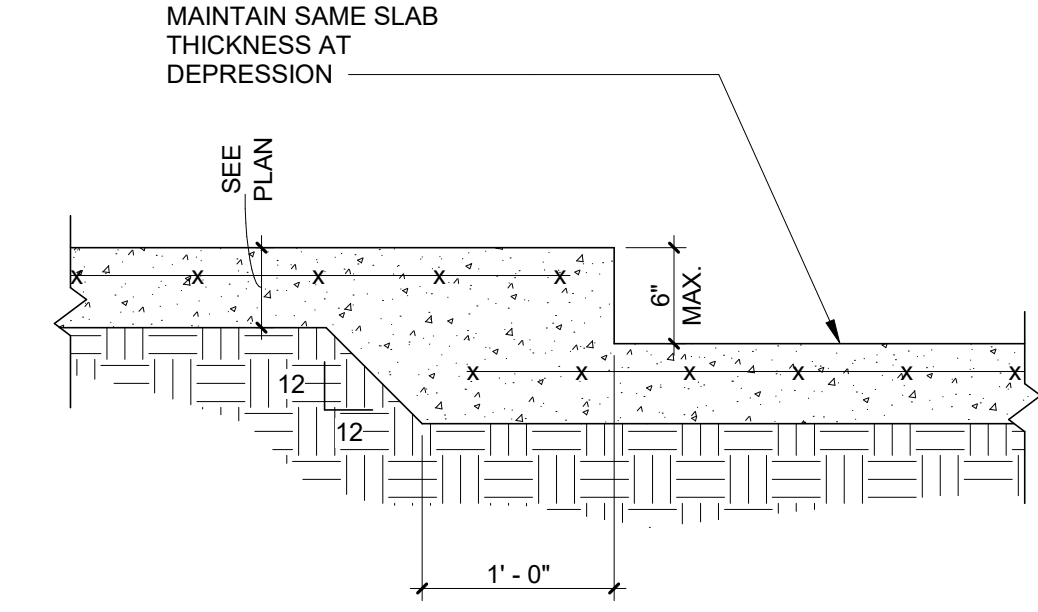
1 TYPICAL SLAB-ON-GRADE CONSTRUCTION  
 3/4" = 1'-0"



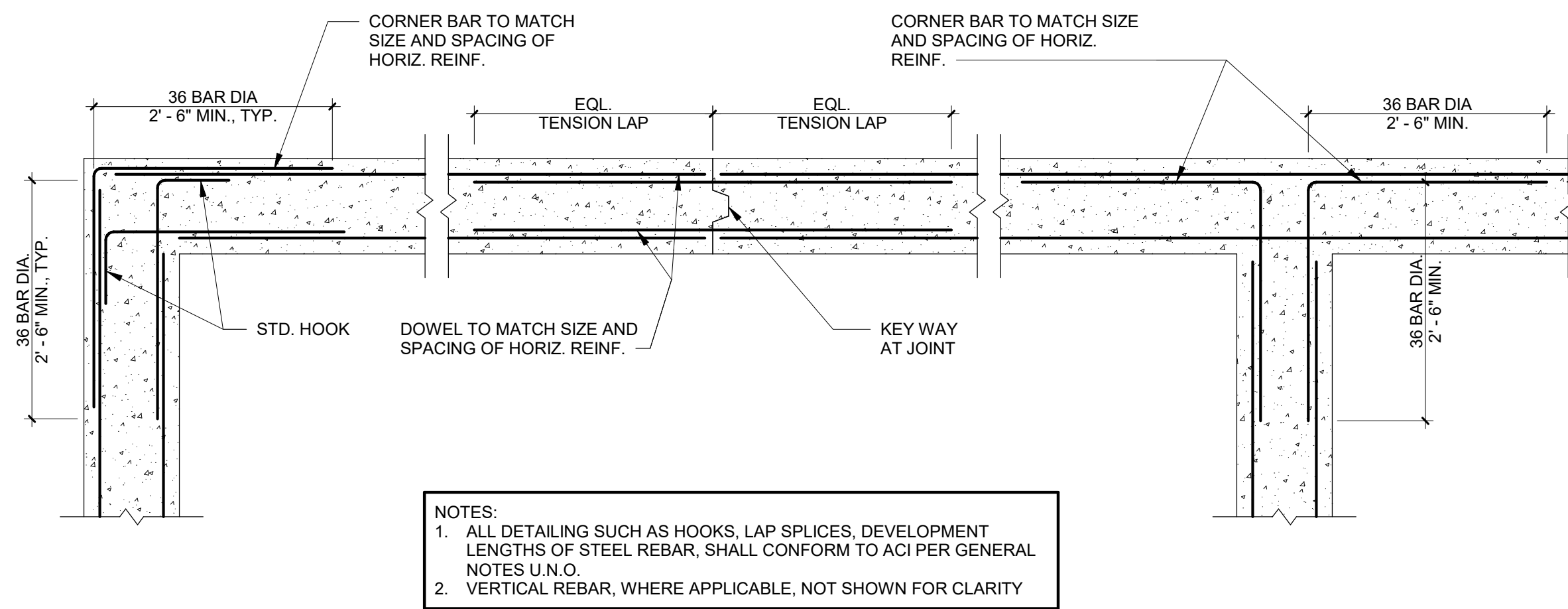
2 TYPICAL SLAB THICKNESS TRANSITION  
 1" = 1'-0"



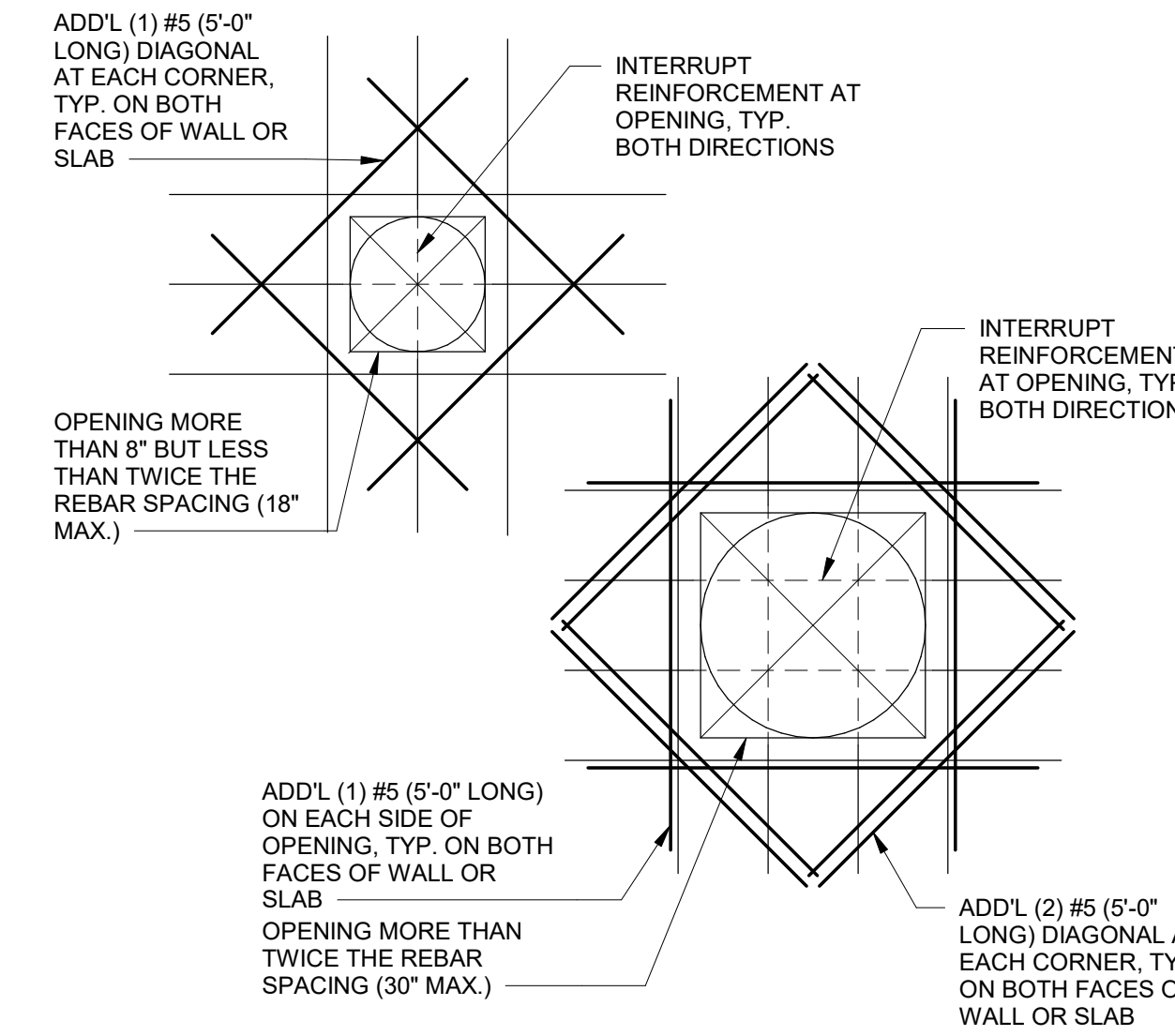
3 TYPICAL SLAB TRENCH DRAINAGE  
 1" = 1'-0"



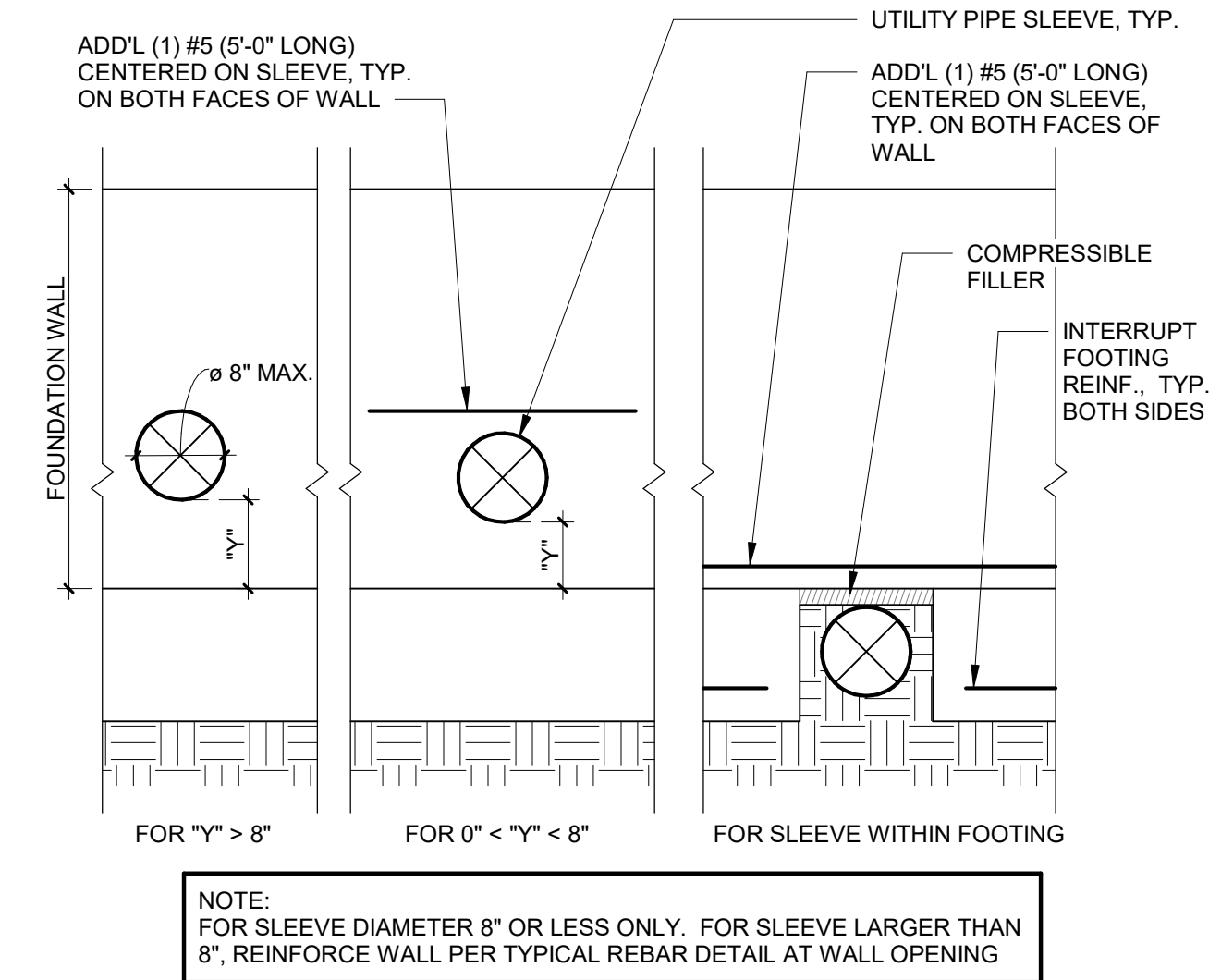
4 TYPICAL SLAB DEPRESSION  
 1" = 1'-0"



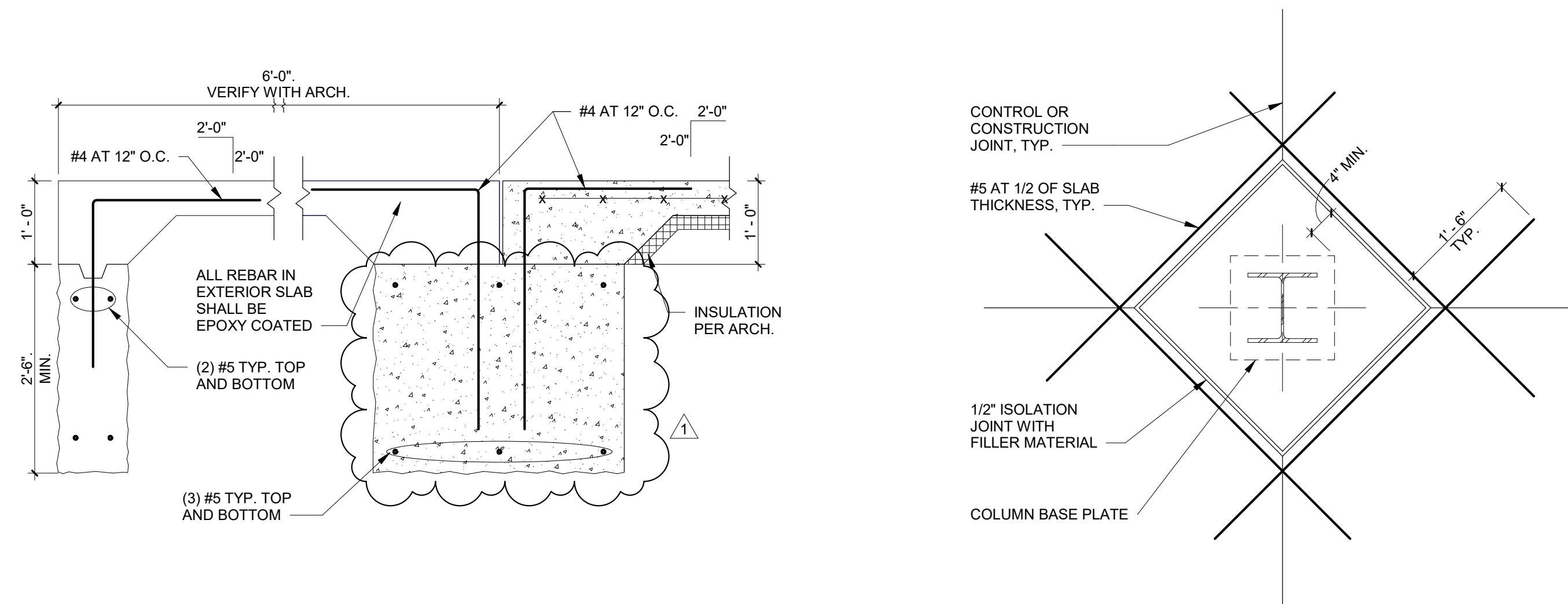
5 TYPICAL CONCRETE WALL CONSTRUCTION  
 3/4" = 1'-0"



6 TYPICAL REBAR DETAIL AT WALL/ELEVATED SLAB OPENING  
 1/2" = 1'-0"

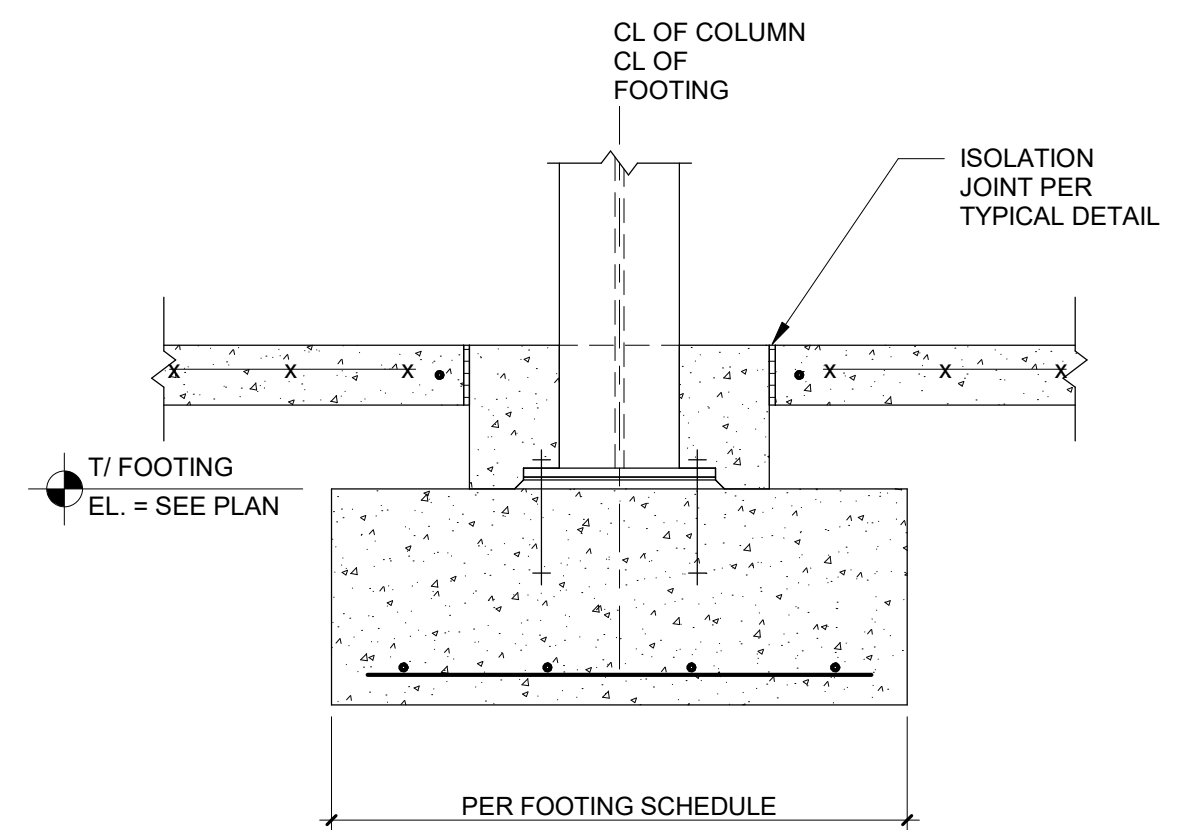


7 TYPICAL UTILITY SLEEVE THROUGH FOUNDATION WALL  
 3/4" = 1'-0"

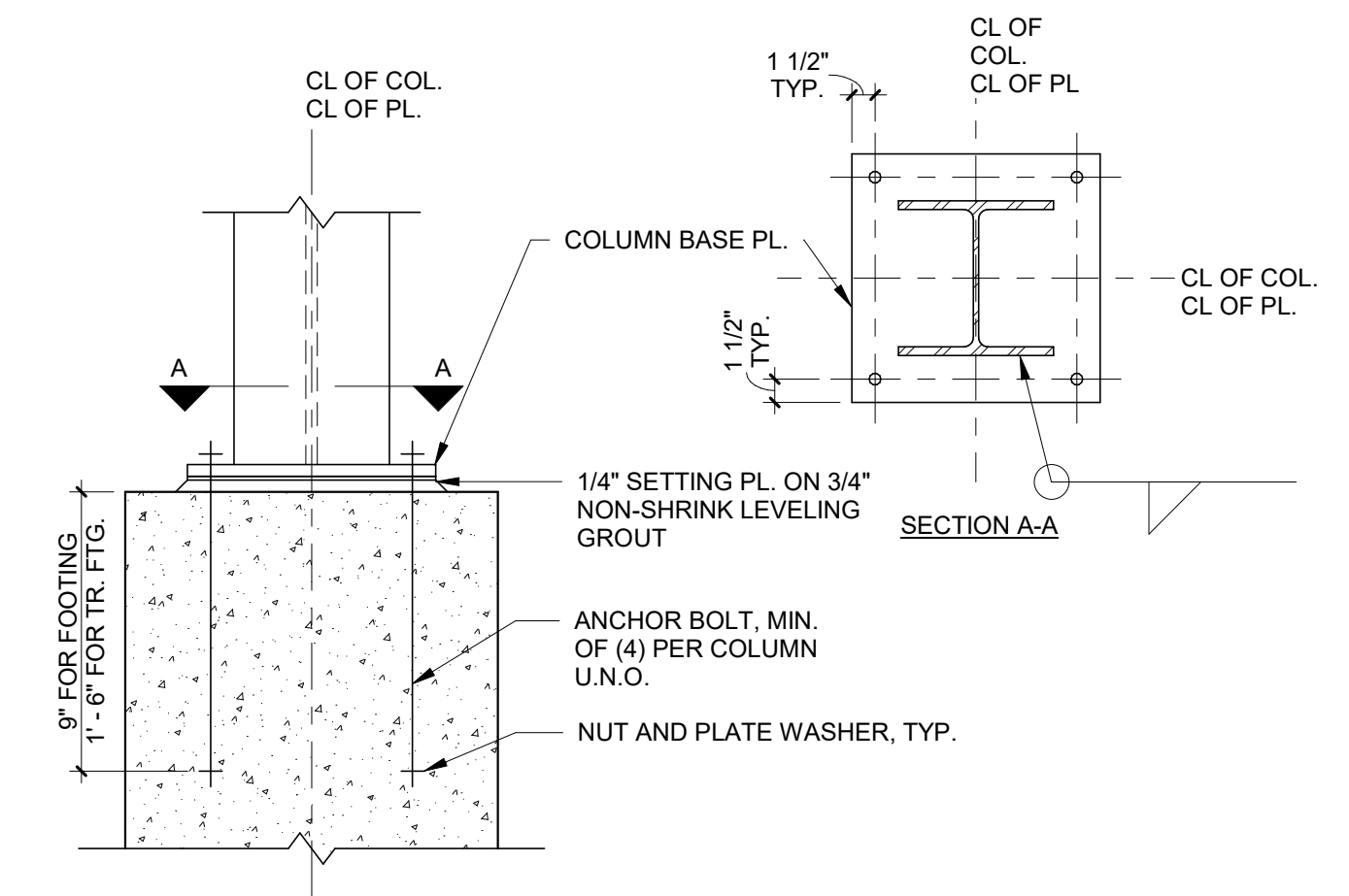


8 TYPICAL SECTION AT EXTERIOR DOOR  
 3/4" = 1'-0"

9 TYPICAL COLUMN ISOLATION JOINT  
 3/4" = 1'-0"



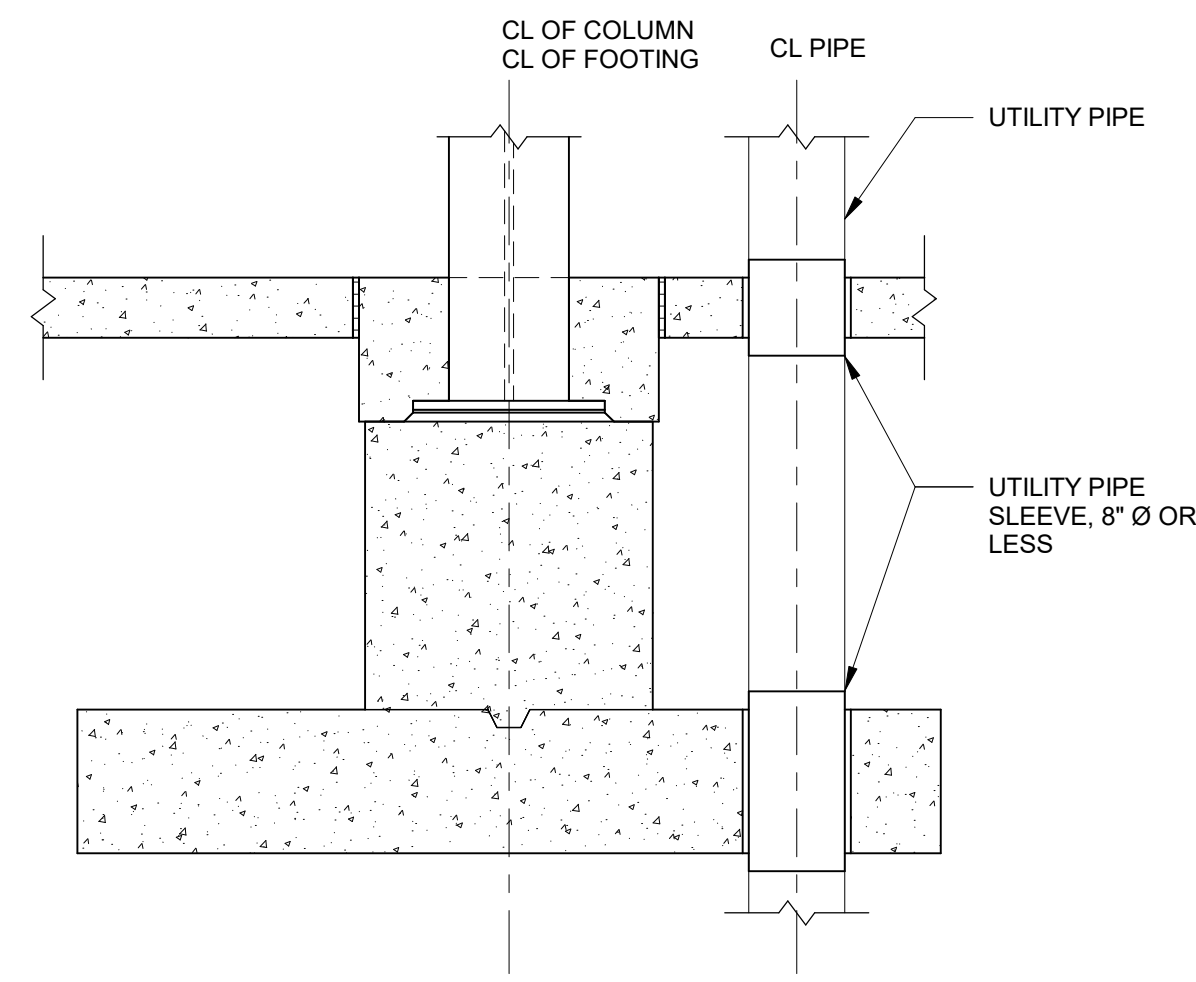
10 TYPICAL FOOTING FOR INTERIOR COLUMN  
 3/4" = 1'-0"



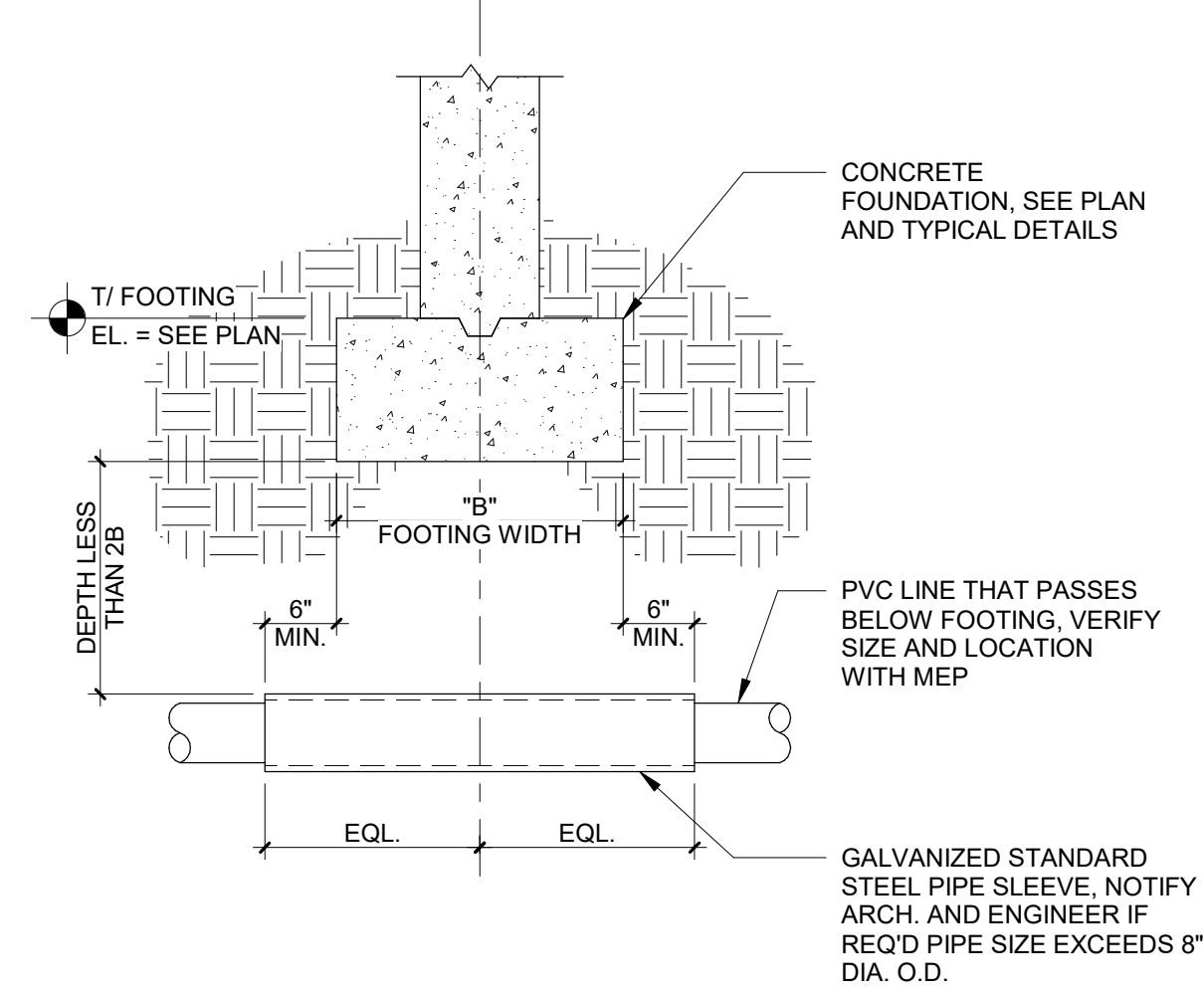
11 TYPICAL COLUMN BASE PLATE  
 1" = 1'-0"



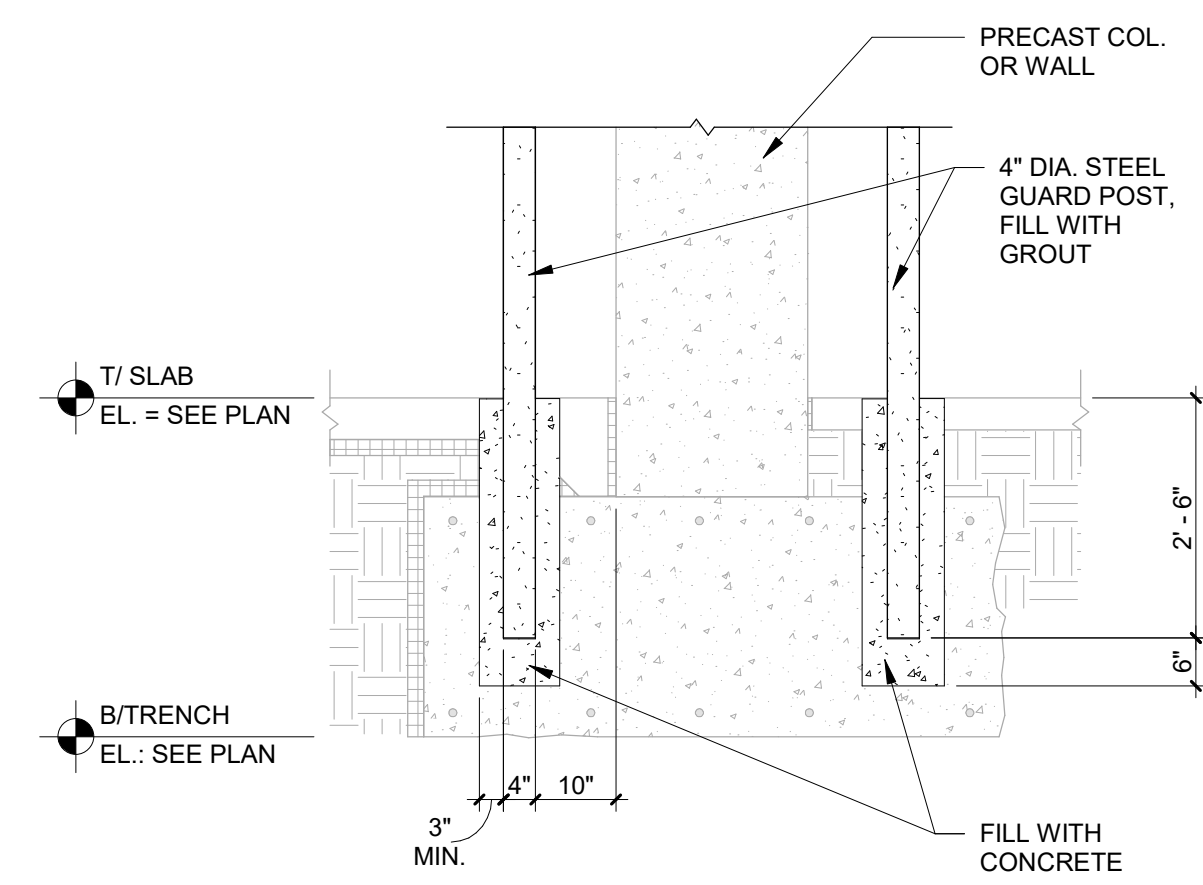




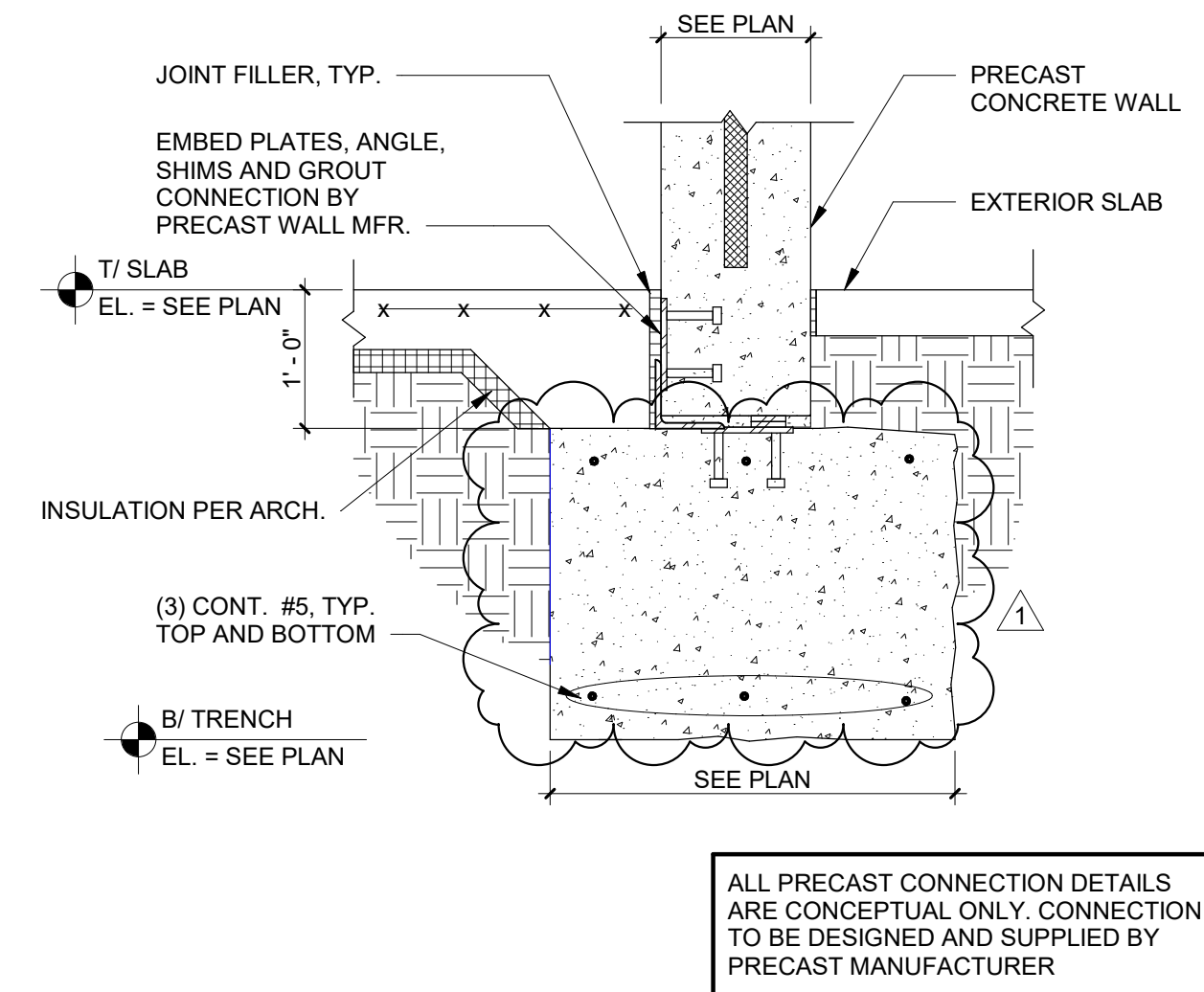
1 TYPICAL UTILITY PIPE THROUGH FOOTING DETAIL  
3/4" = 1'-0"



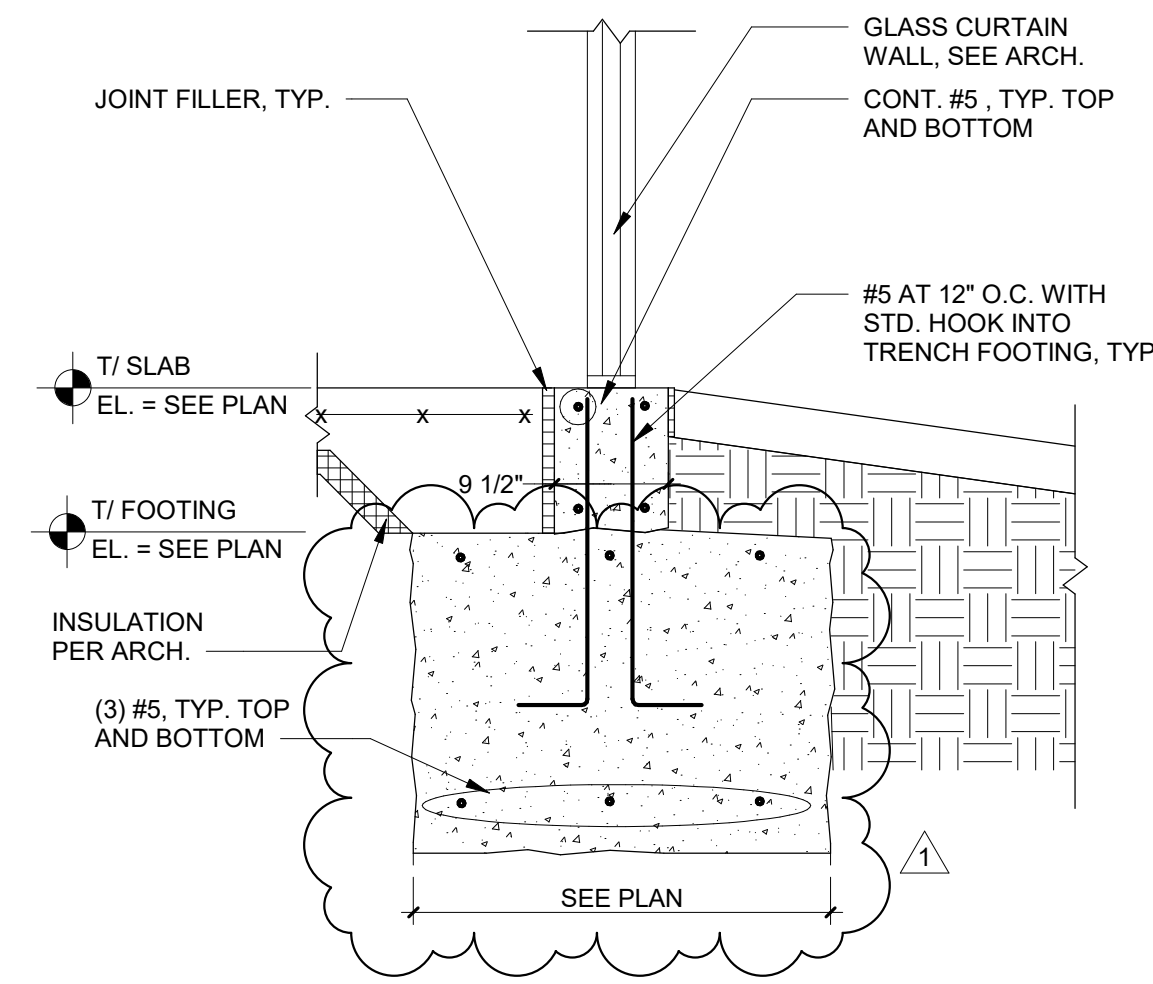
2 TYPICAL PLUMBING LINE UNDER FOUNDATION  
3/4" = 1'-0"



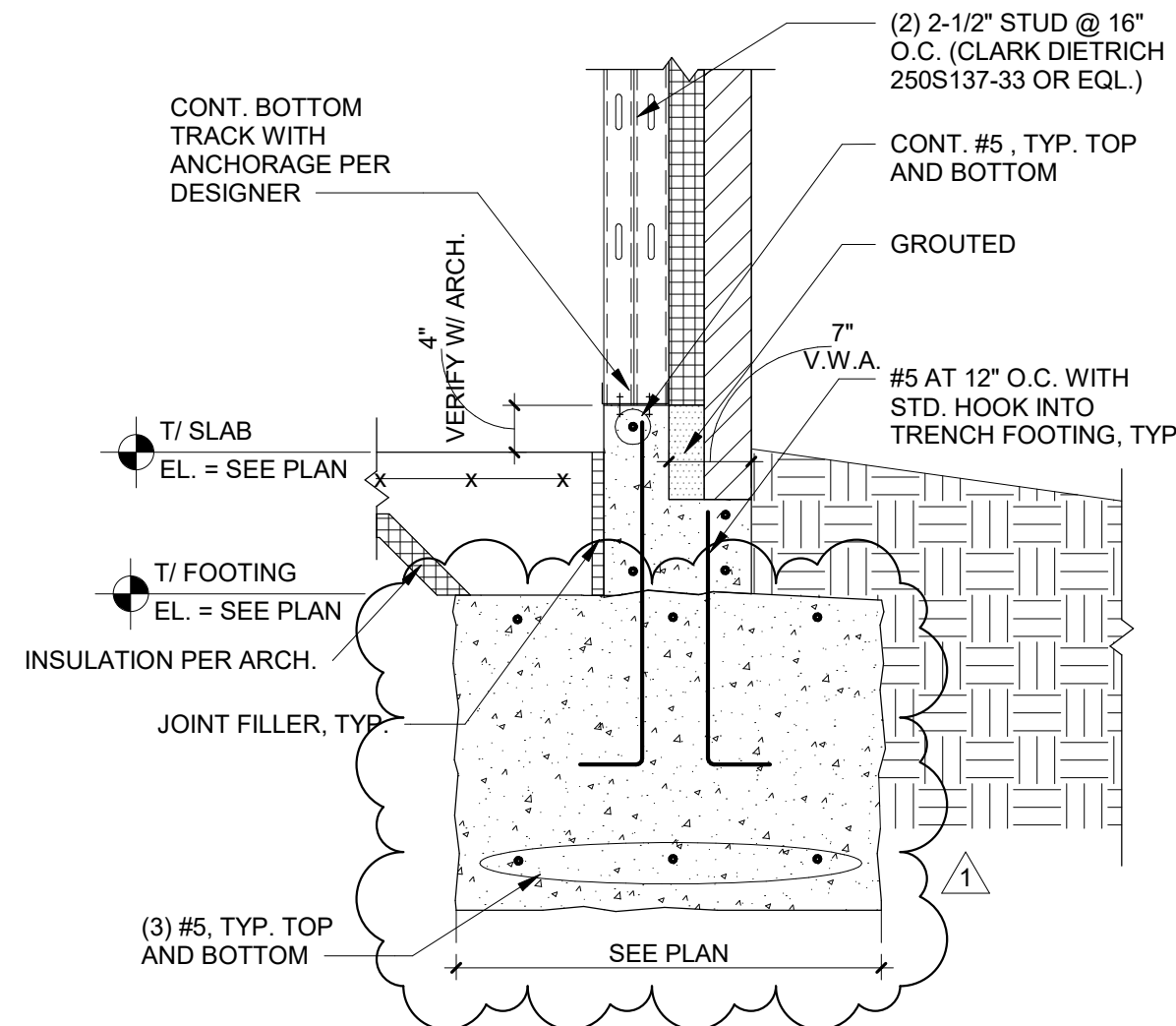
3 BOLLARD DETAIL AT PRECAST COLUMN  
1/2" = 1'-0"



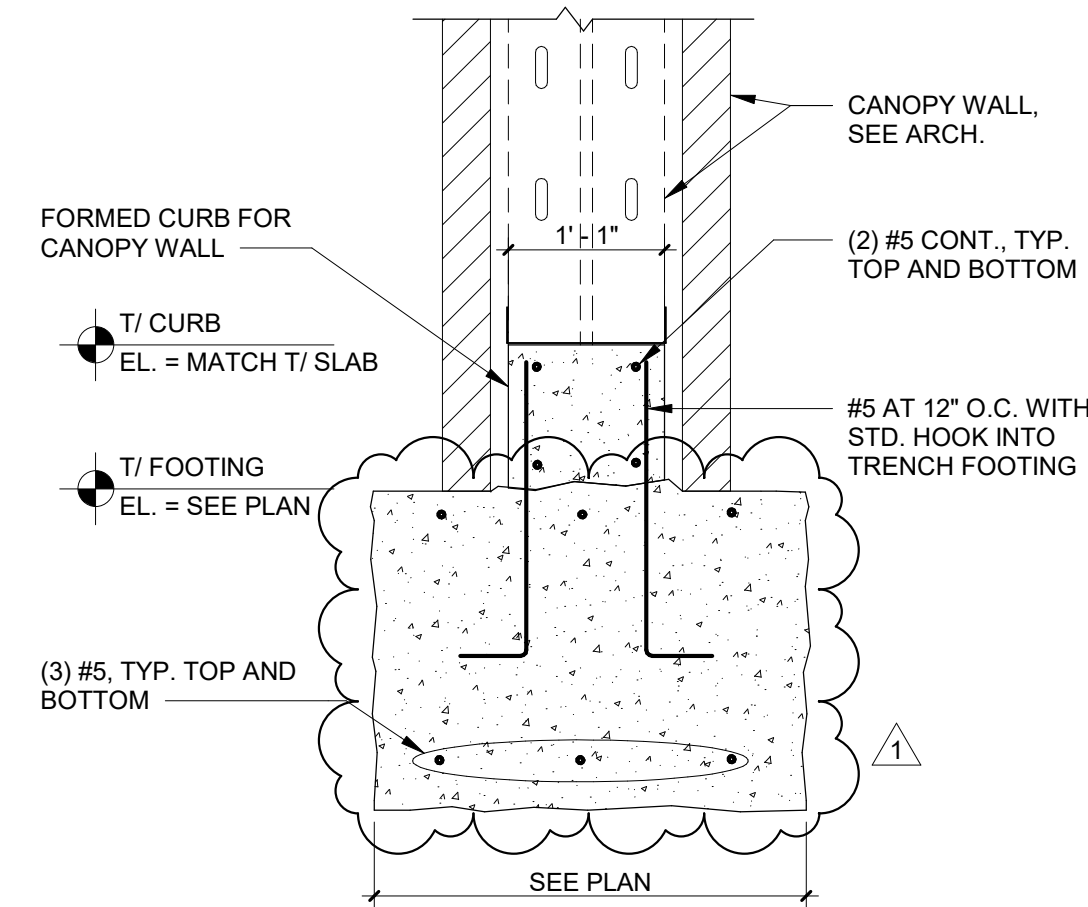
4 SECTION AT PRECAST WALL PANEL ON TRENCH FOOTING  
3/4" = 1'-0"



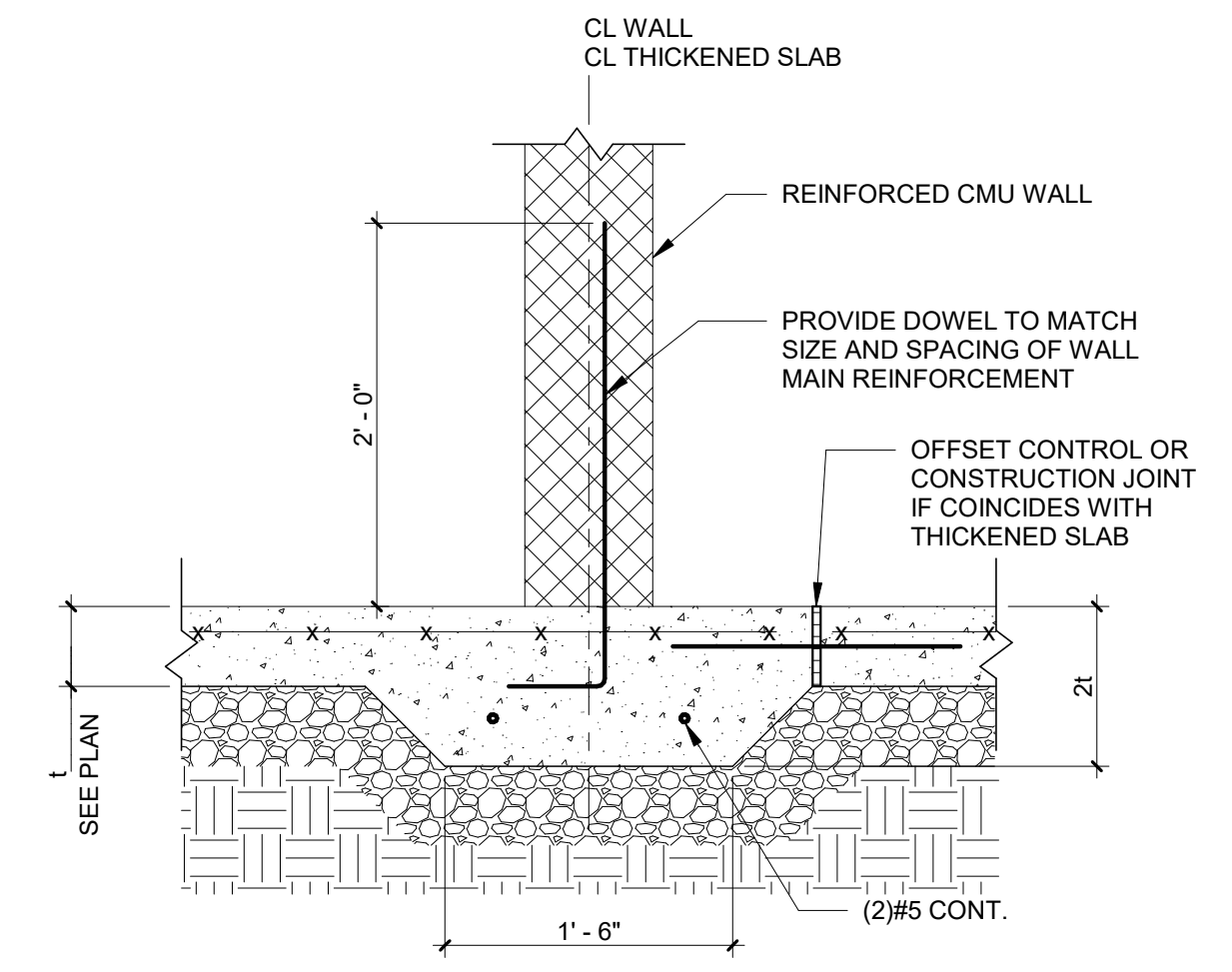
5 SECTION AT GLASS CURTAIN WALL ON TRENCH FOOTING  
3/4" = 1'-0"



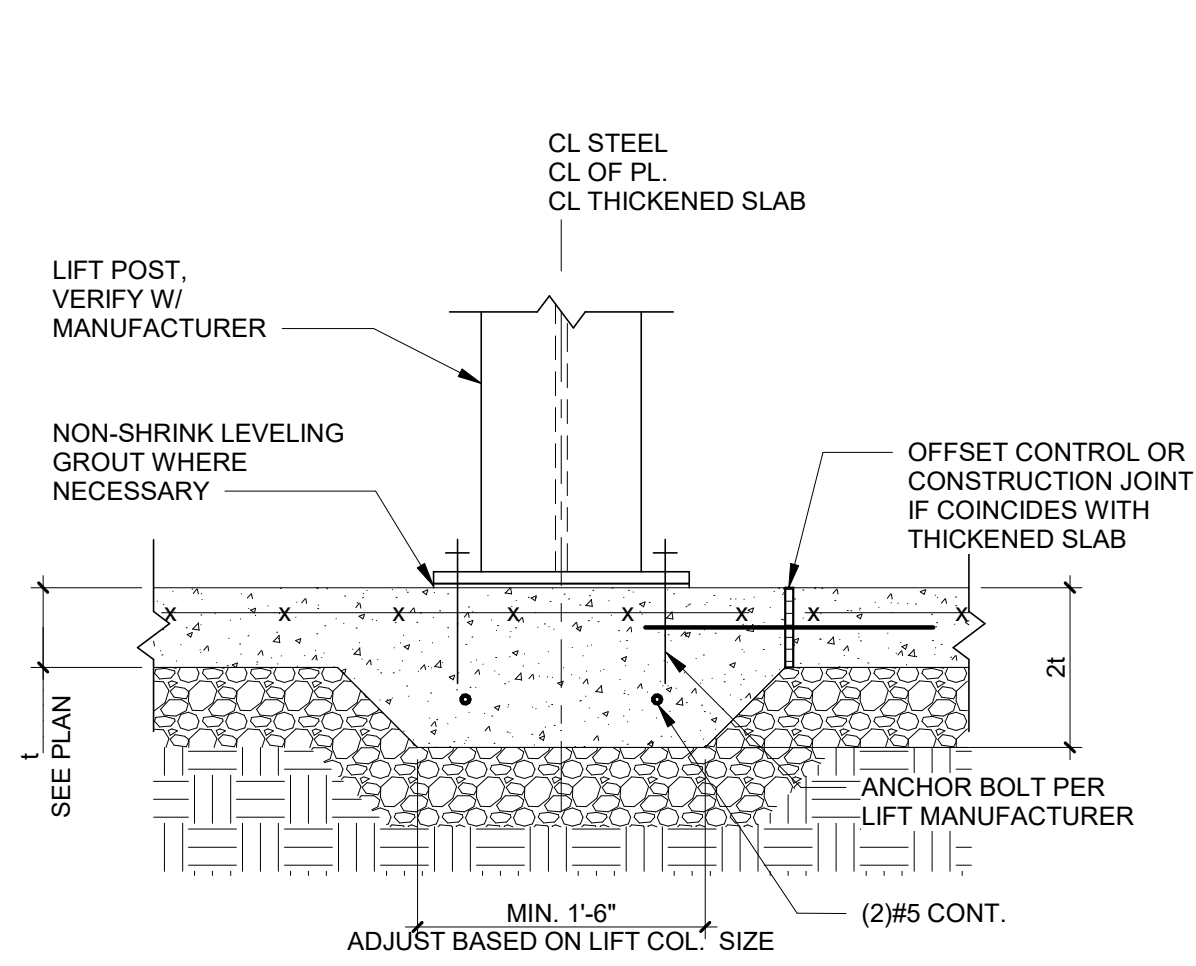
6 SECTION AT INFILL ON TRENCH FOOTING  
3/4" = 1'-0"



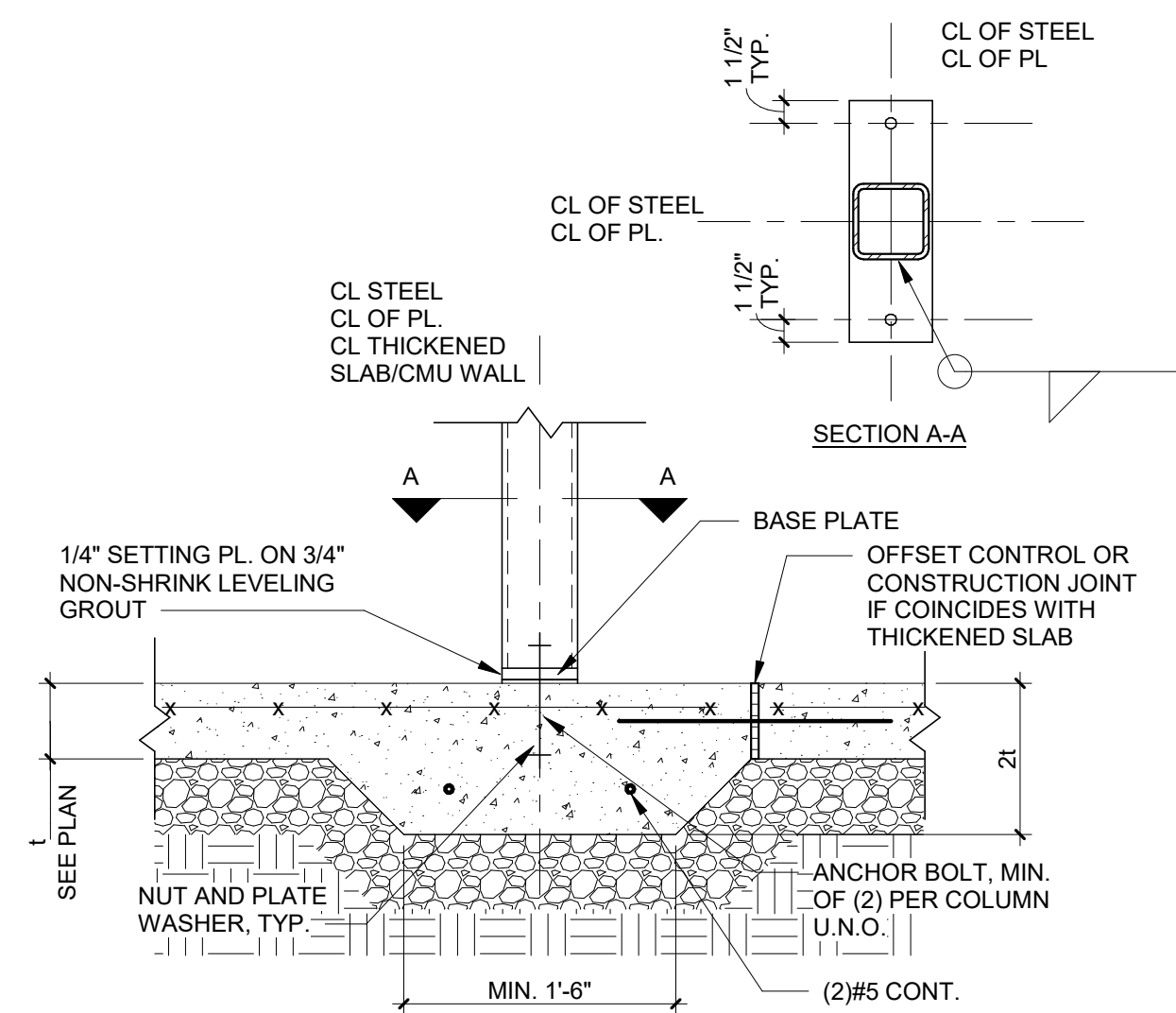
7 SECTION AT CANOPY WING WALL ON TRENCH FOUNDATION  
3/4" = 1'-0"



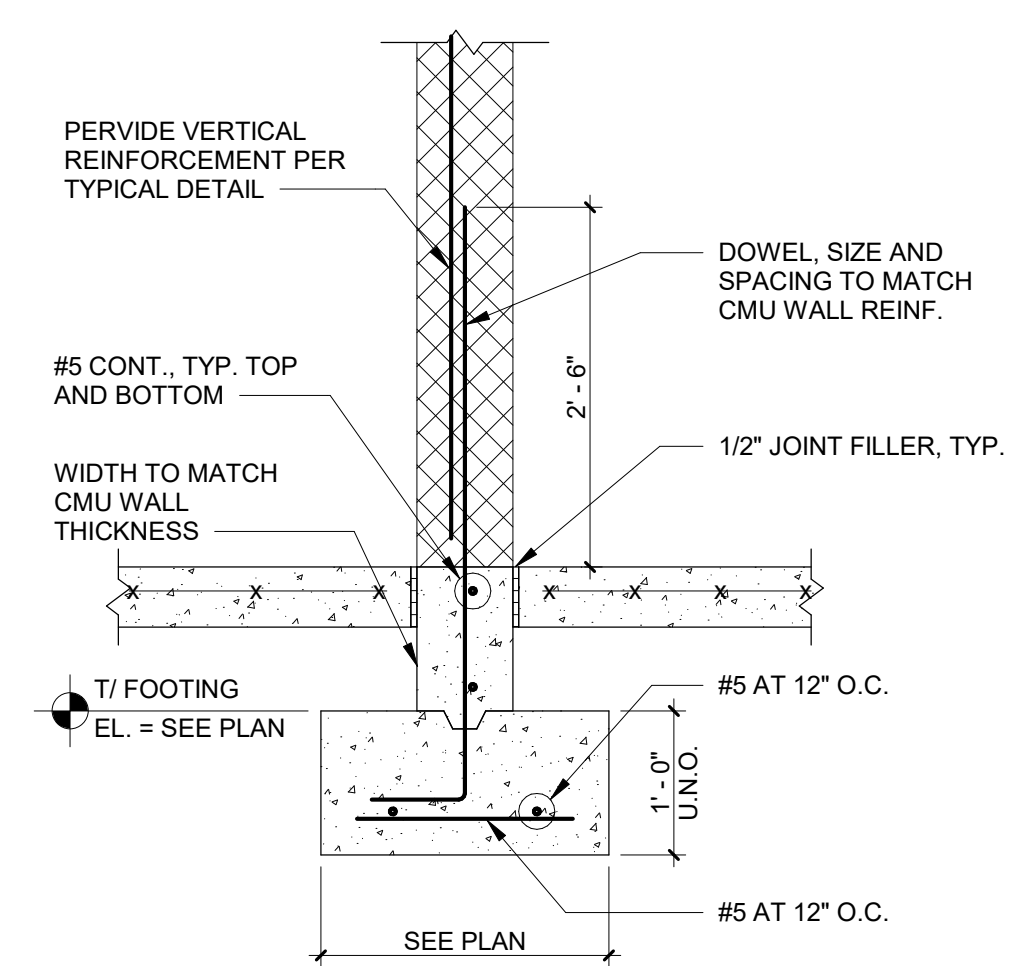
8 SECTION AT THICKENED SLAB FOR CMU WALL  
1" = 1'-0"



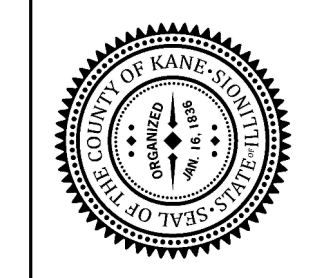
9 SECTION AT THICKENED SLAB FOR LIFT  
1" = 1'-0"

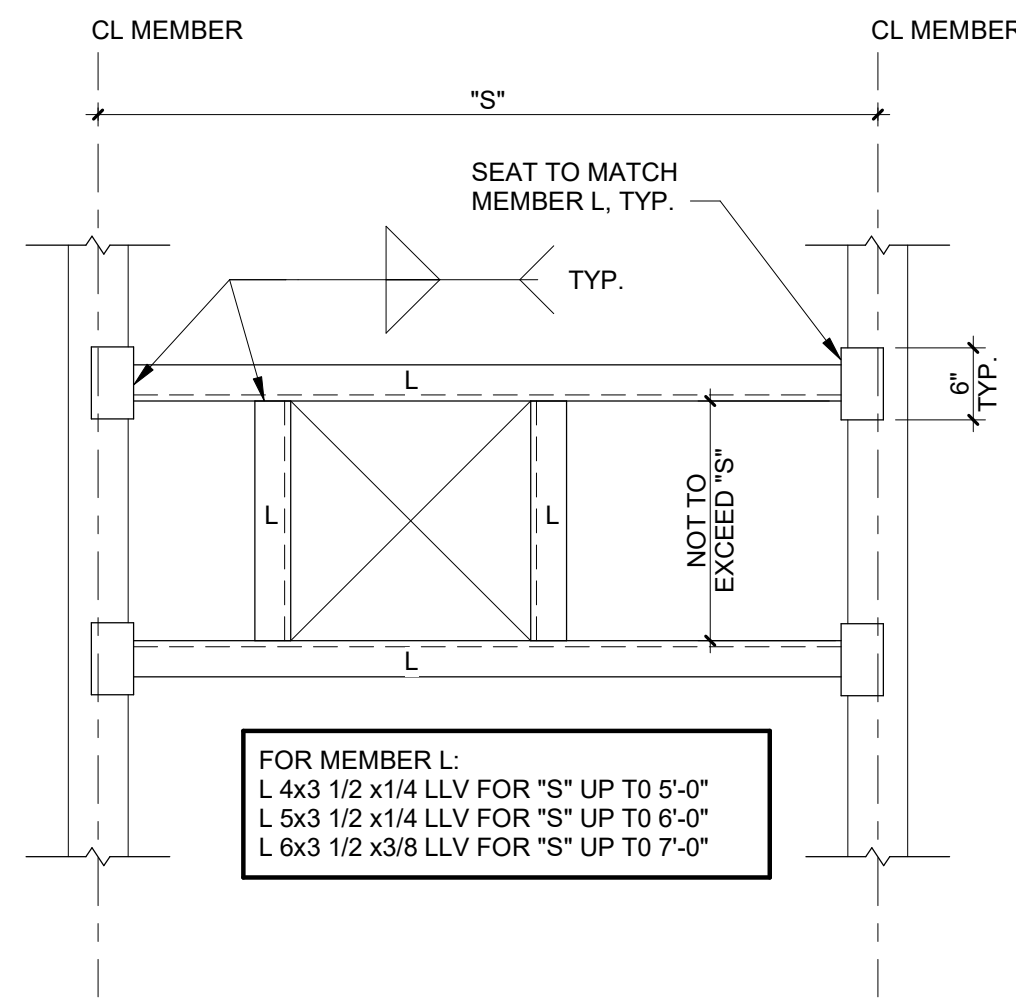


10 SECTION AT THICKENED SLAB FOR HSS COLUMN  
1" = 1'-0"

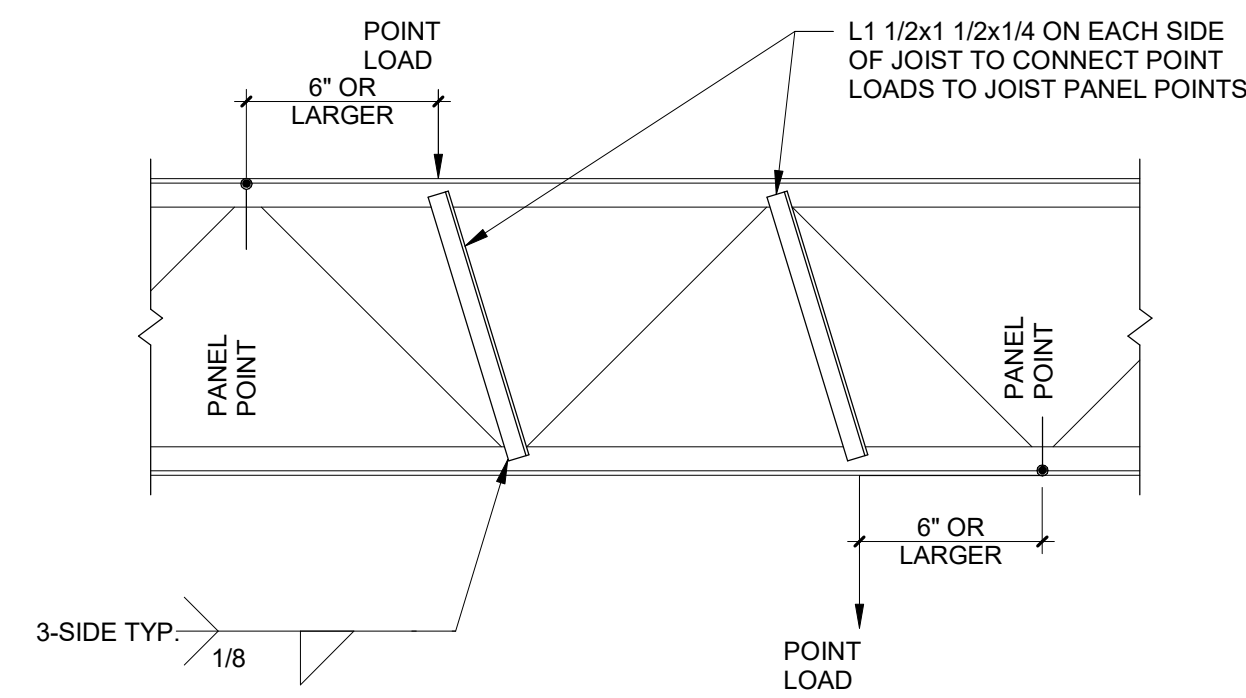


11 TYPICAL INTERIOR REINFORCED CMU WALL FOOTING  
3/4" = 1'-0"

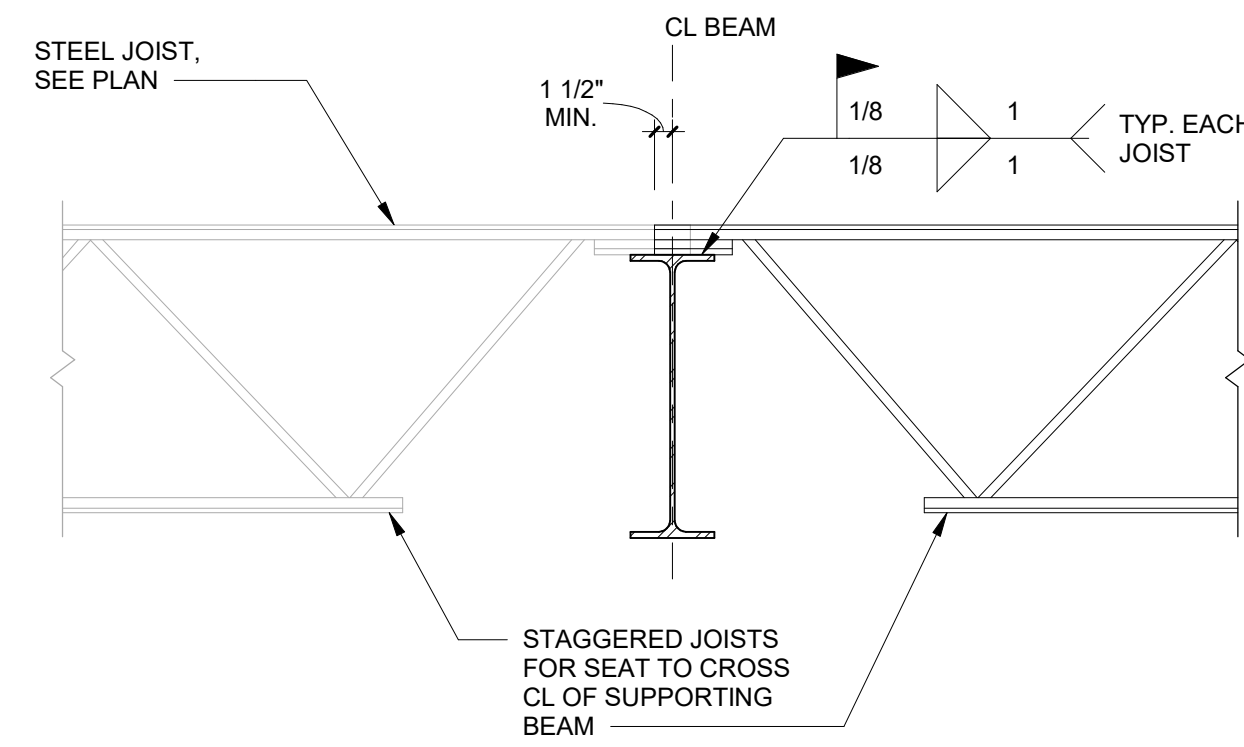




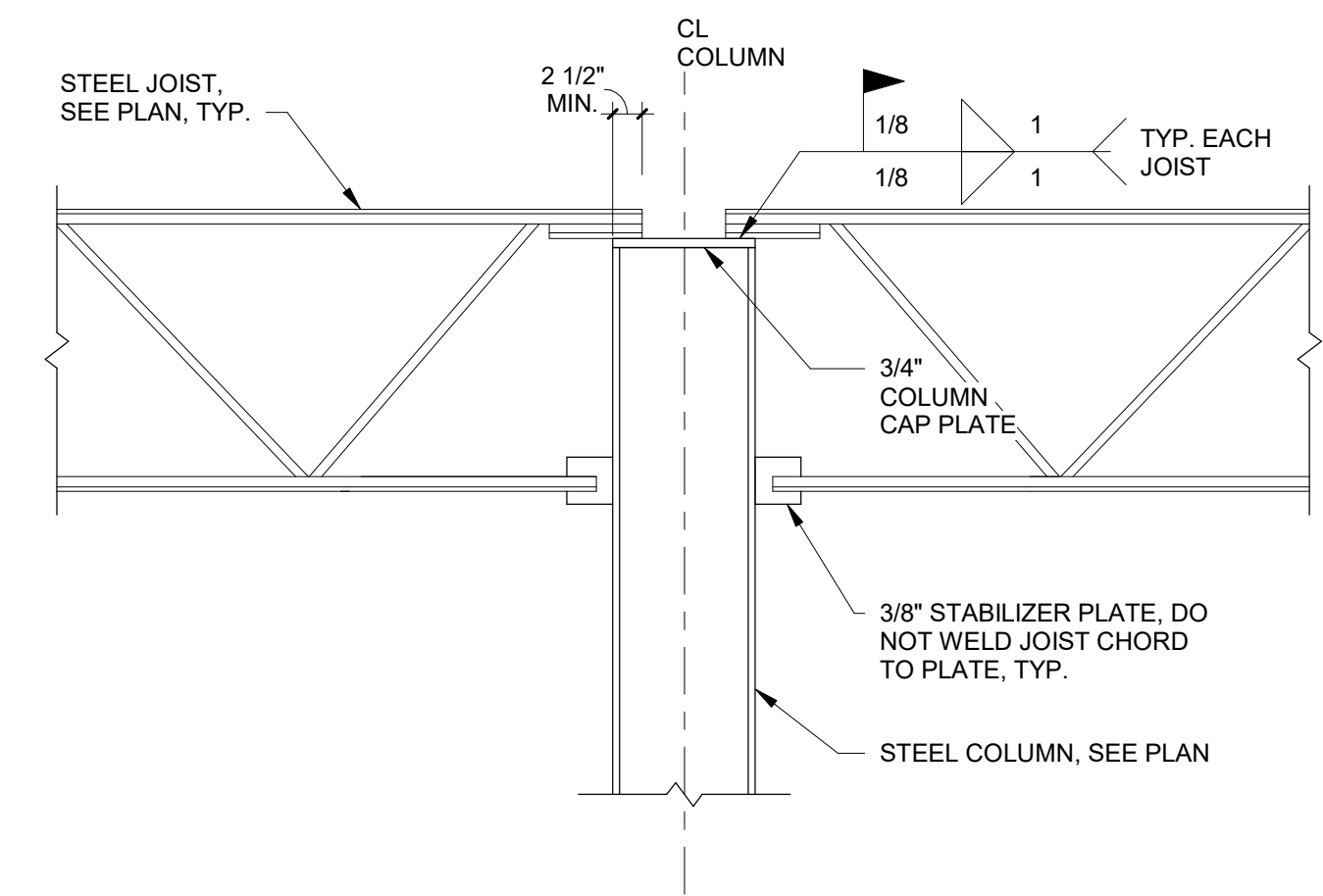
1 TYPICAL ROOF OPENING REINFORCEMENT  
3/4" = 1'-0"



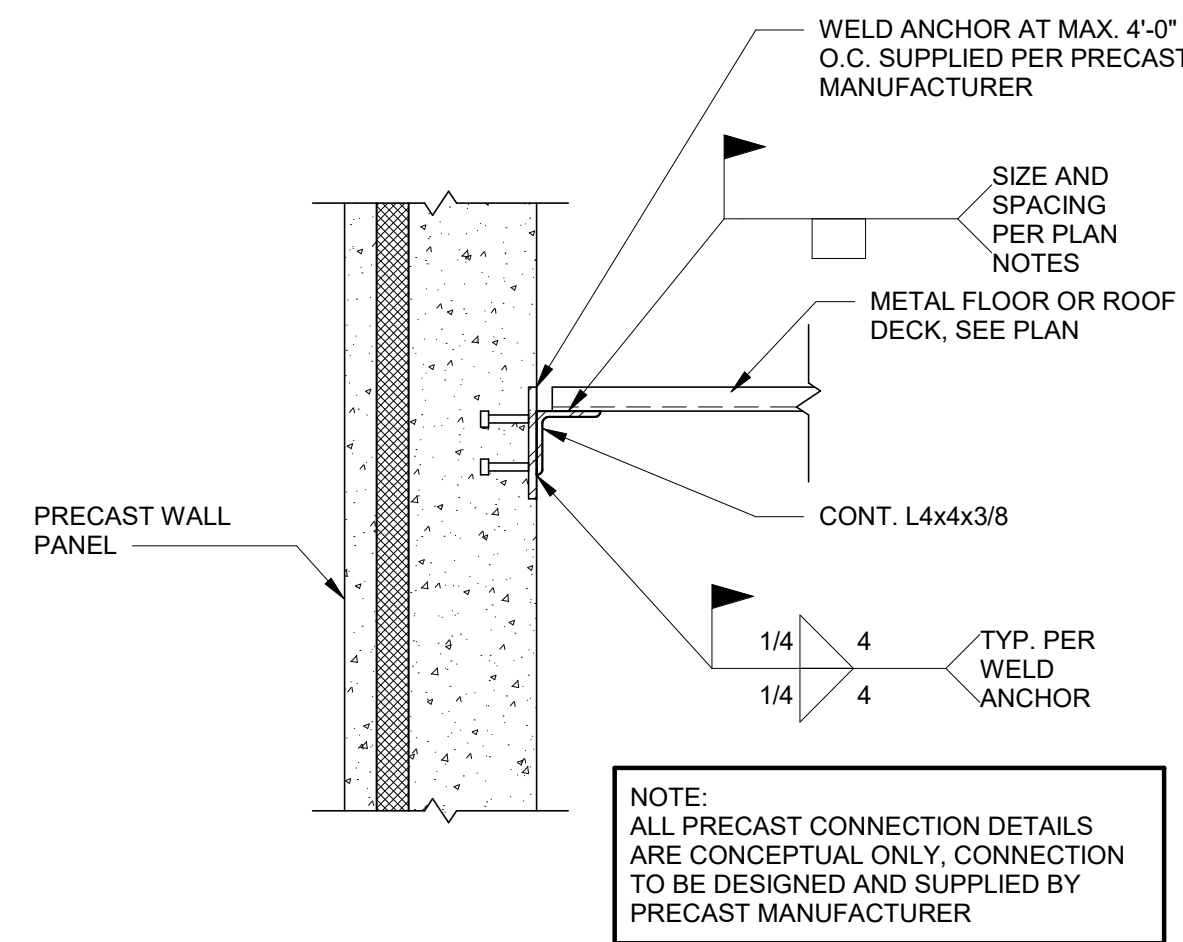
2 TYPICAL BAR JOIST REINFORCEMENT AT POINT LOADS  
3/4" = 1'-0"



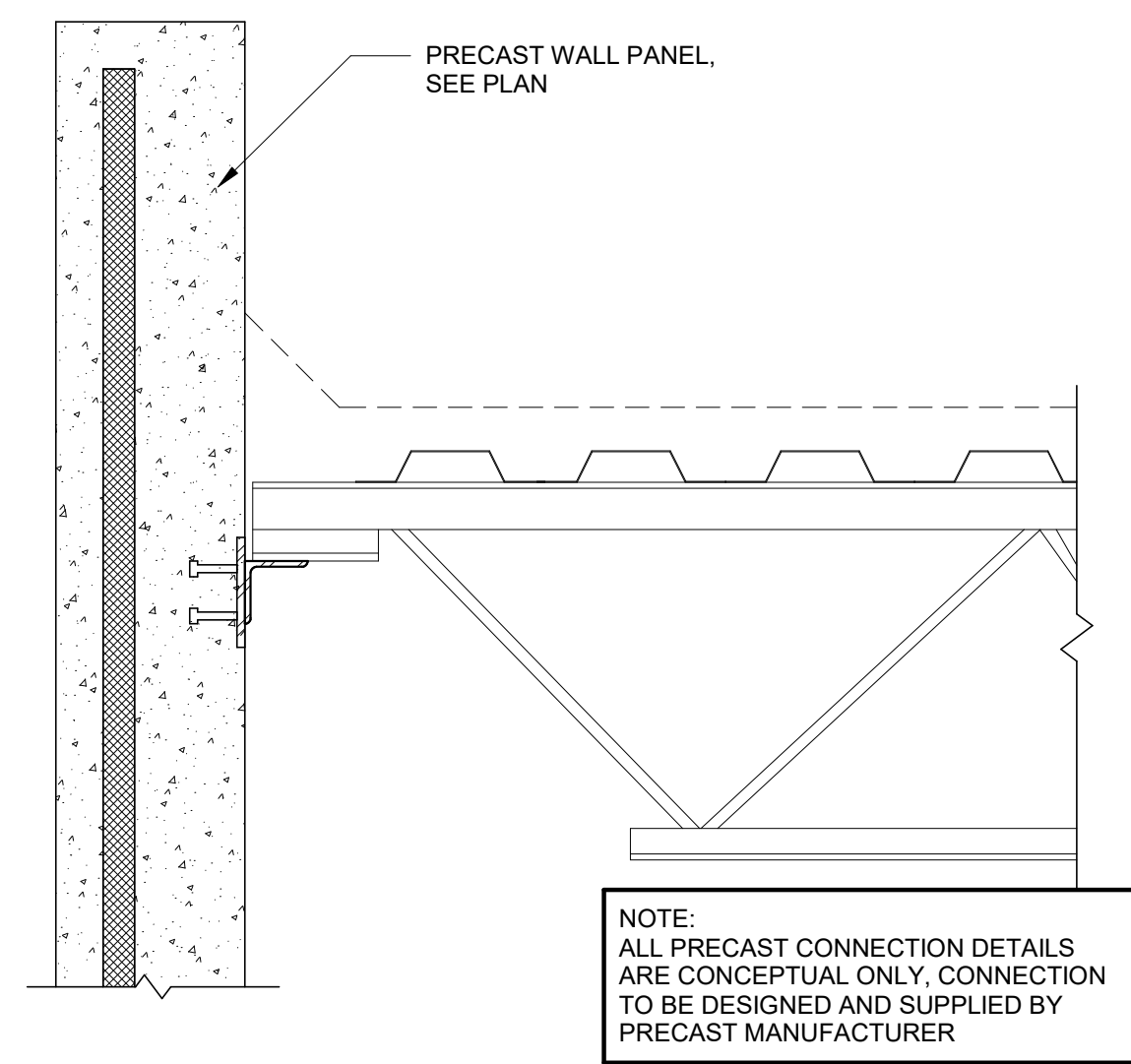
3 TYPICAL JOIST-TO-BEAM CONNECTION  
3/4" = 1'-0"



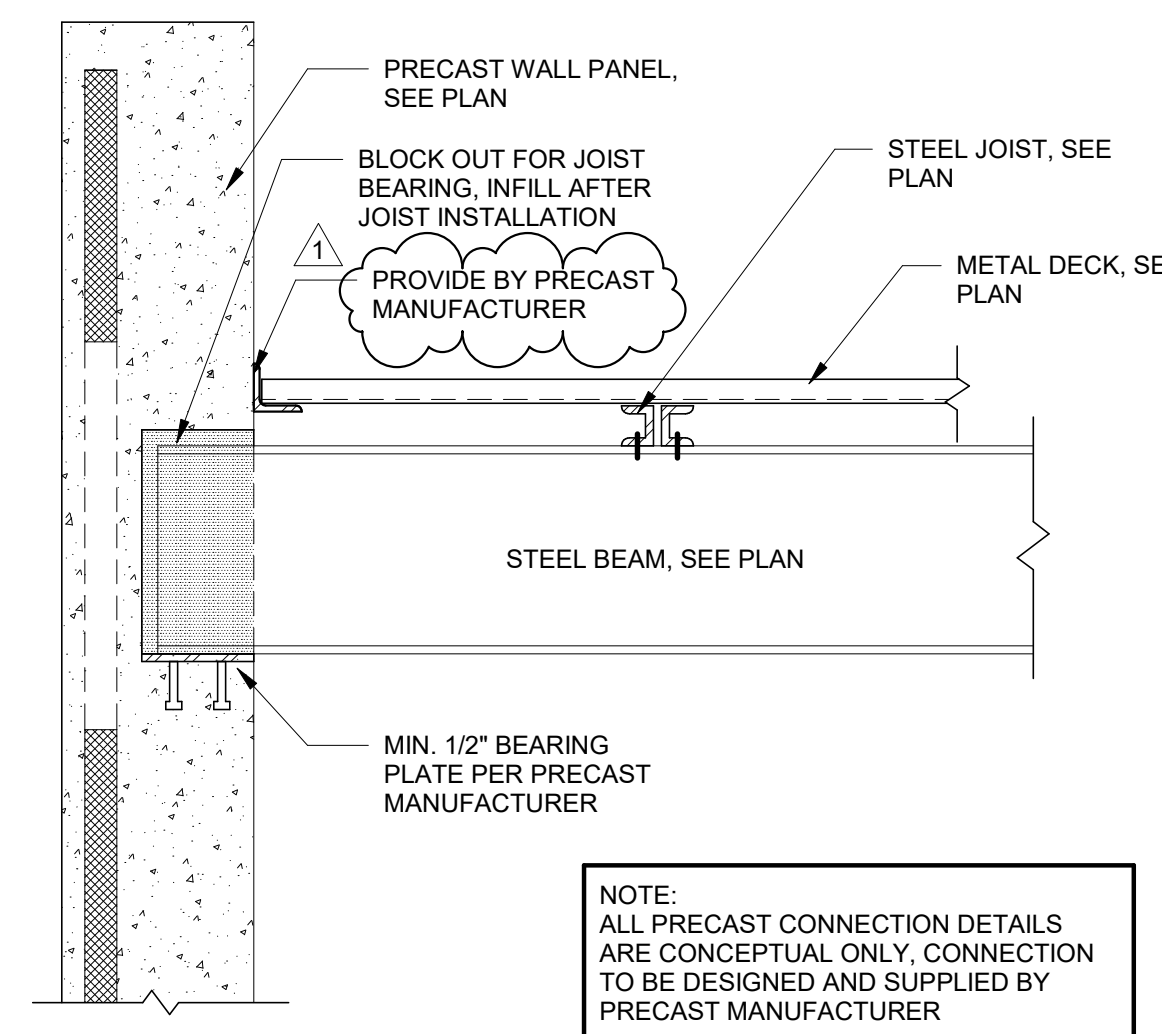
4 TYPICAL JOIST-TO-COLUMN CONNECTION  
3/4" = 1'-0"



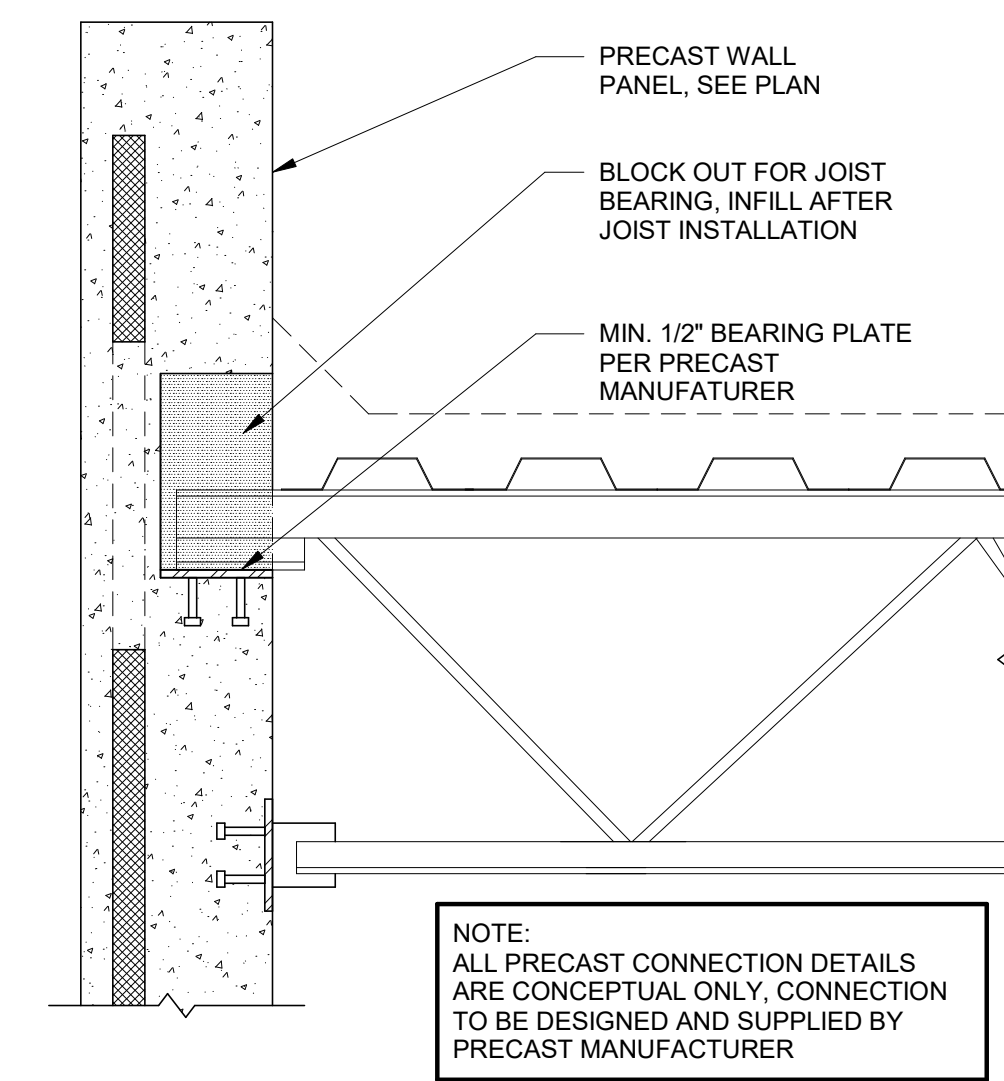
5 METAL DECK/MEZZANINE SLAB TO PRECAST WALL PANEL CONNECTION  
1" = 1'-0"



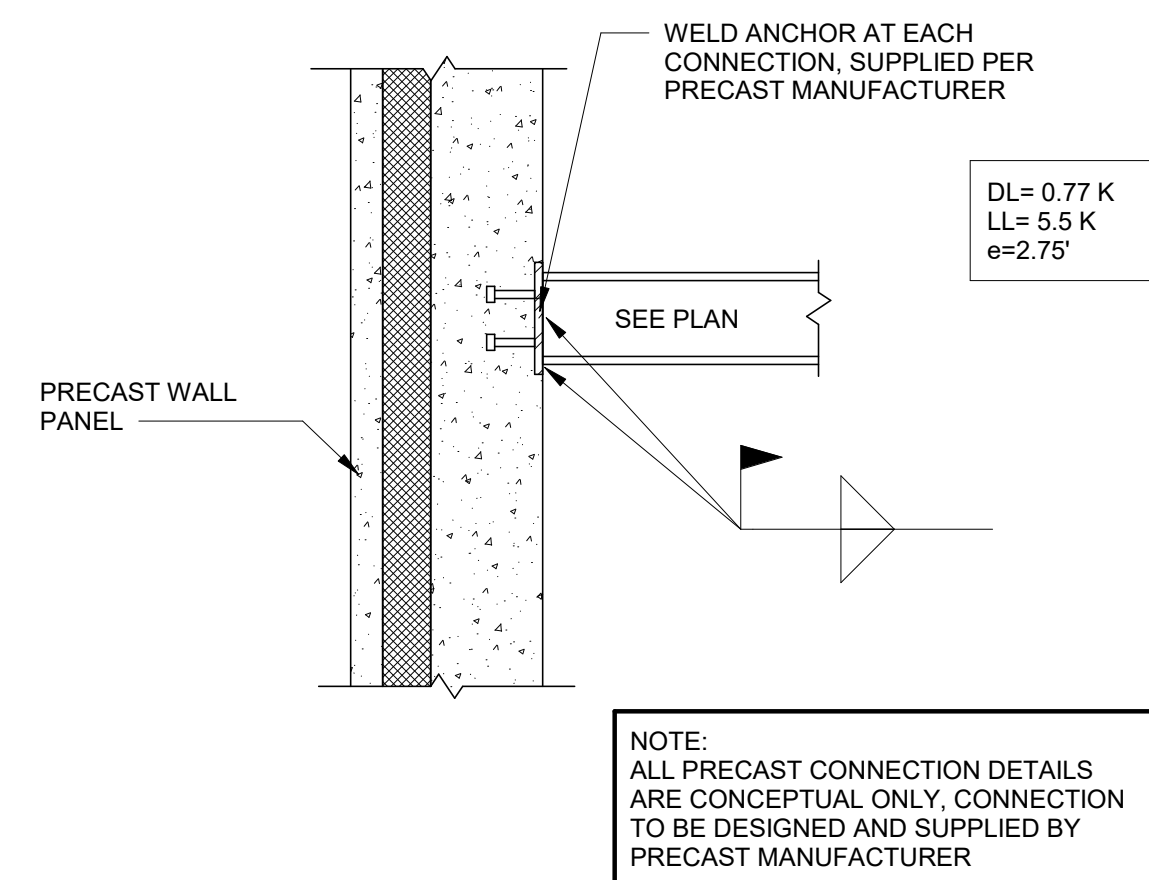
6 TYPICAL STEEL JOIST TO PRECAST WALL PANEL CONNECTION  
1" = 1'-0"



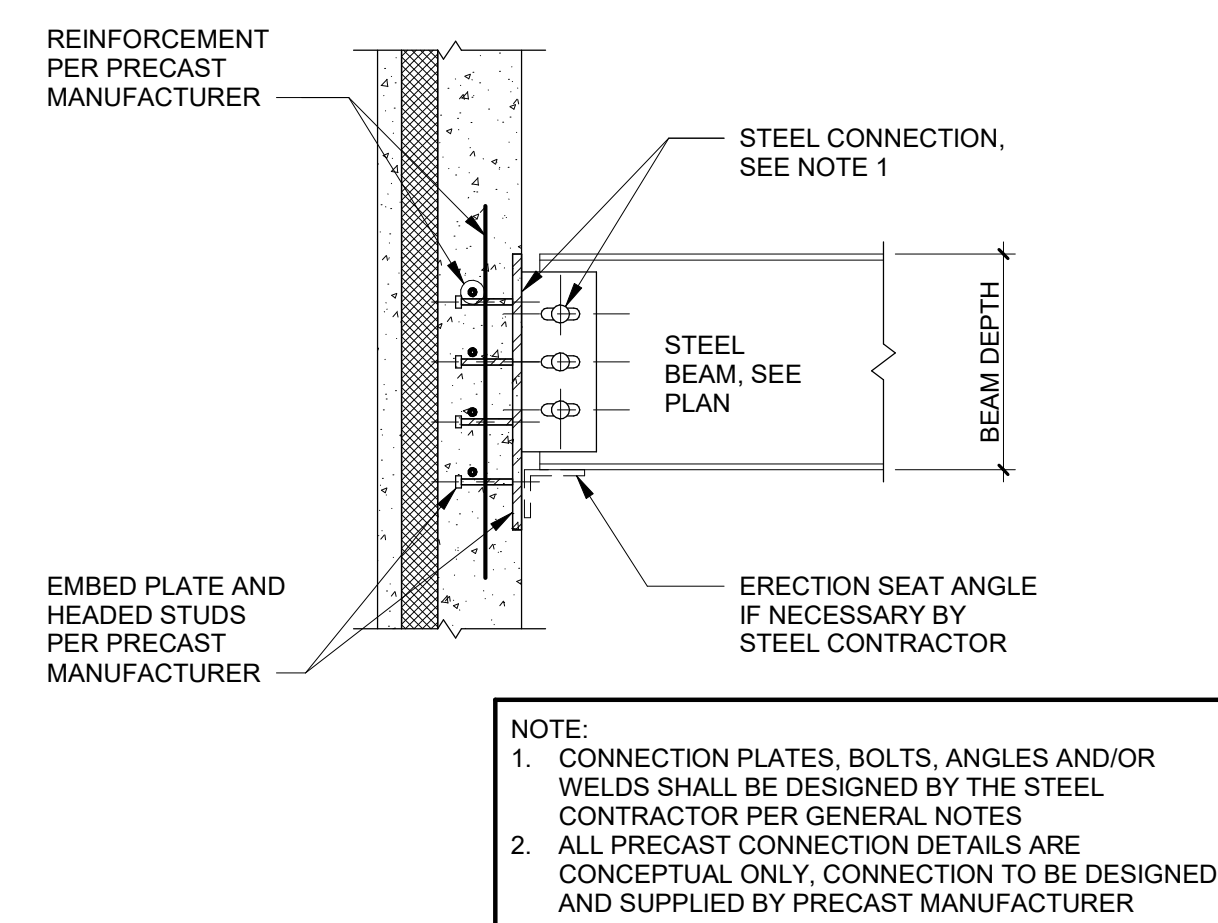
7 TYPICAL STEEL BEAM TO PRECAST WALL PANEL CONNECTION  
1" = 1'-0"



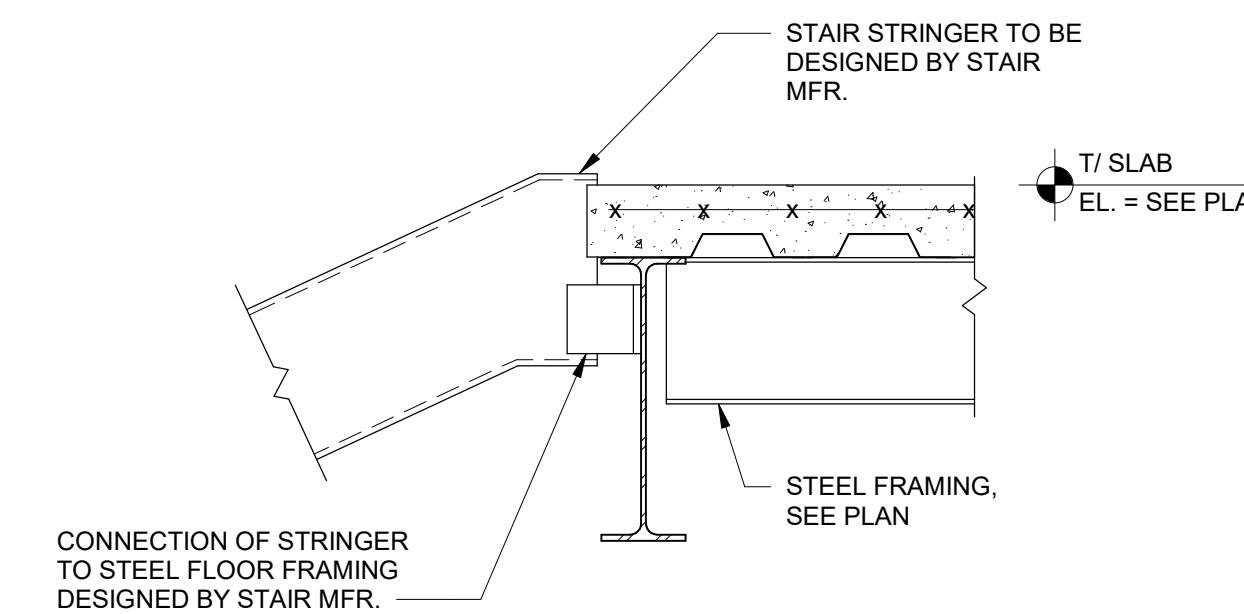
8 TYPICAL STEEL JOIST GIRDER TO PRECAST WALL PANEL CONNECTION  
1" = 1'-0"



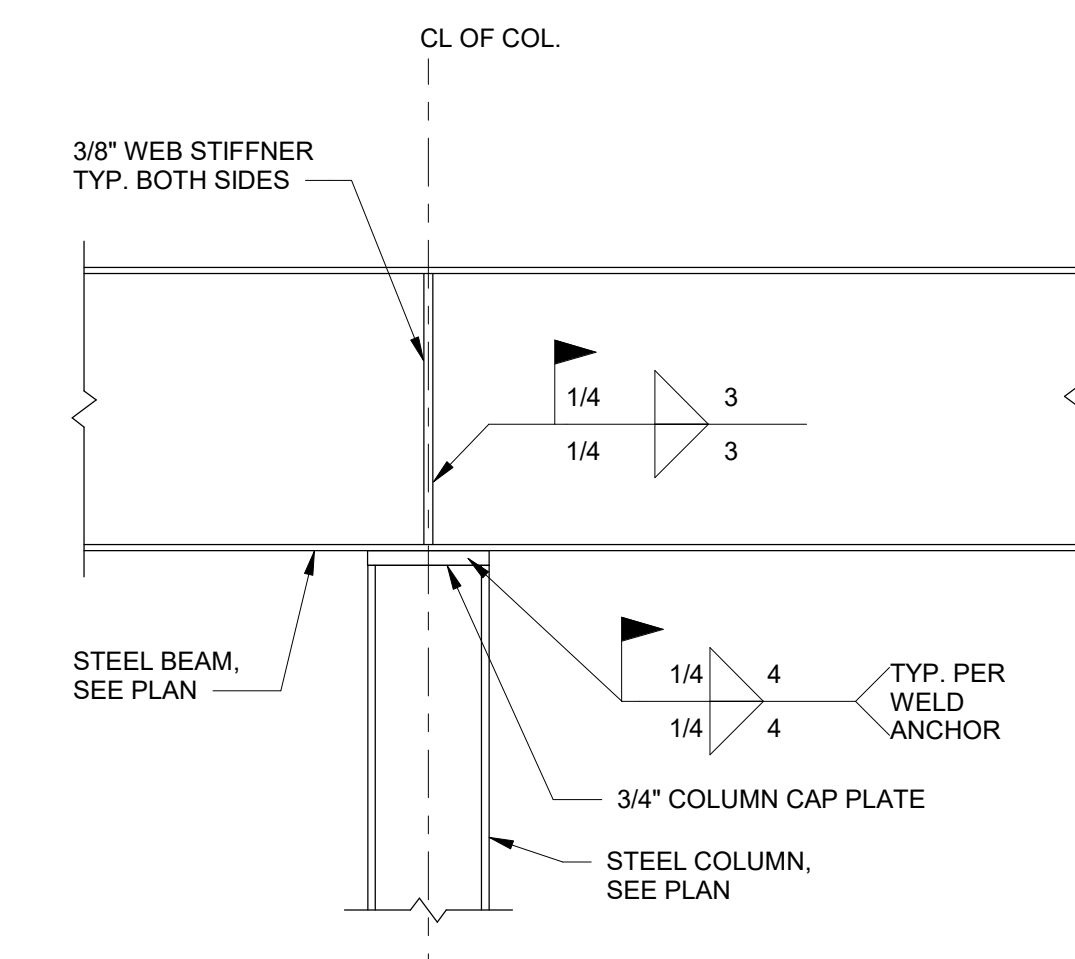
9 TYPICAL CANOPY STEEL TO PRECAST WALL PANEL CONNECTION  
1" = 1'-0"



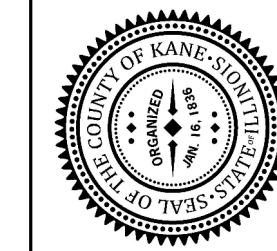
10 TYPICAL STEEL BEAM TO PRECAST WALL PANEL CONNECTION  
3/4" = 1'-0"



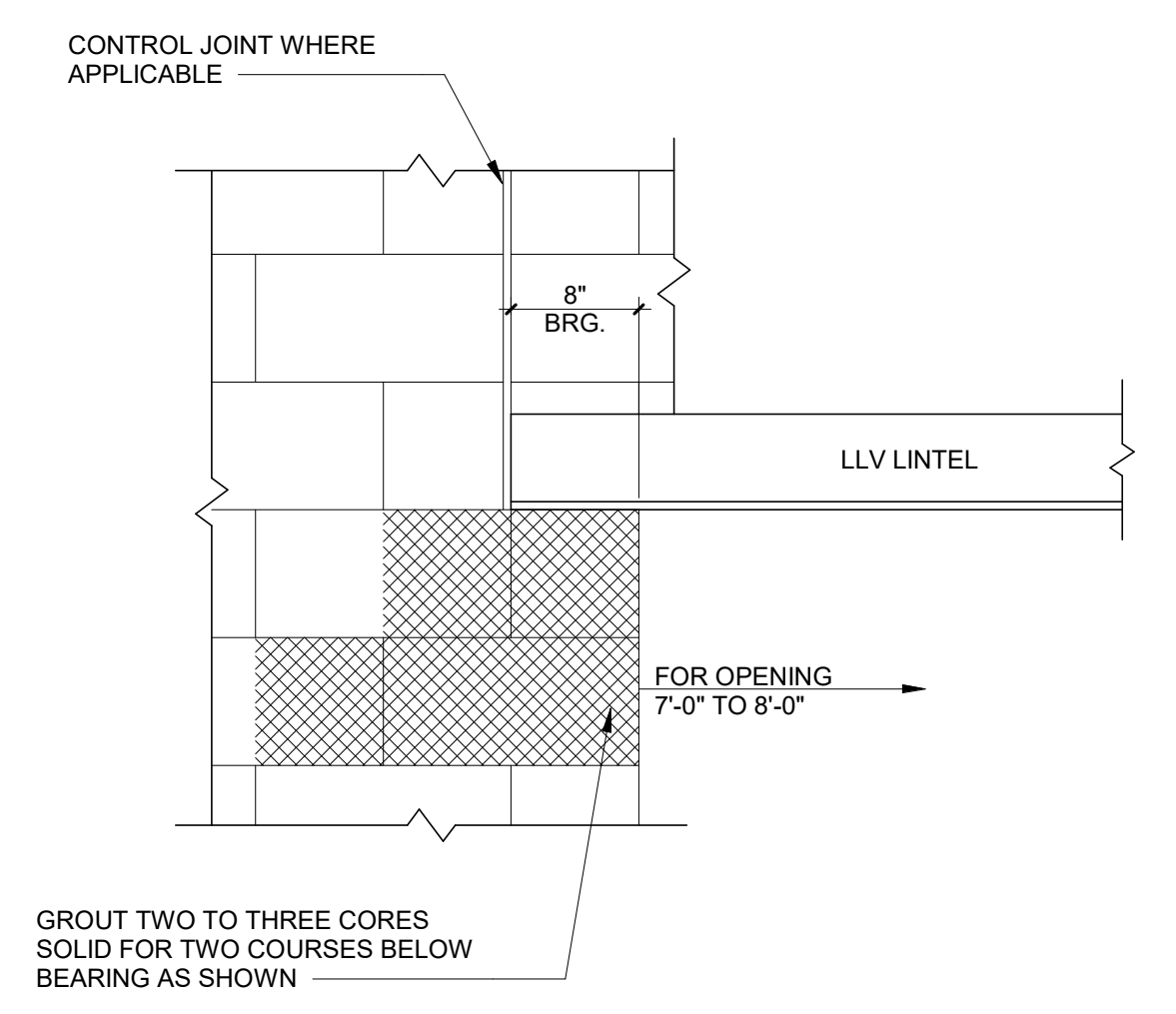
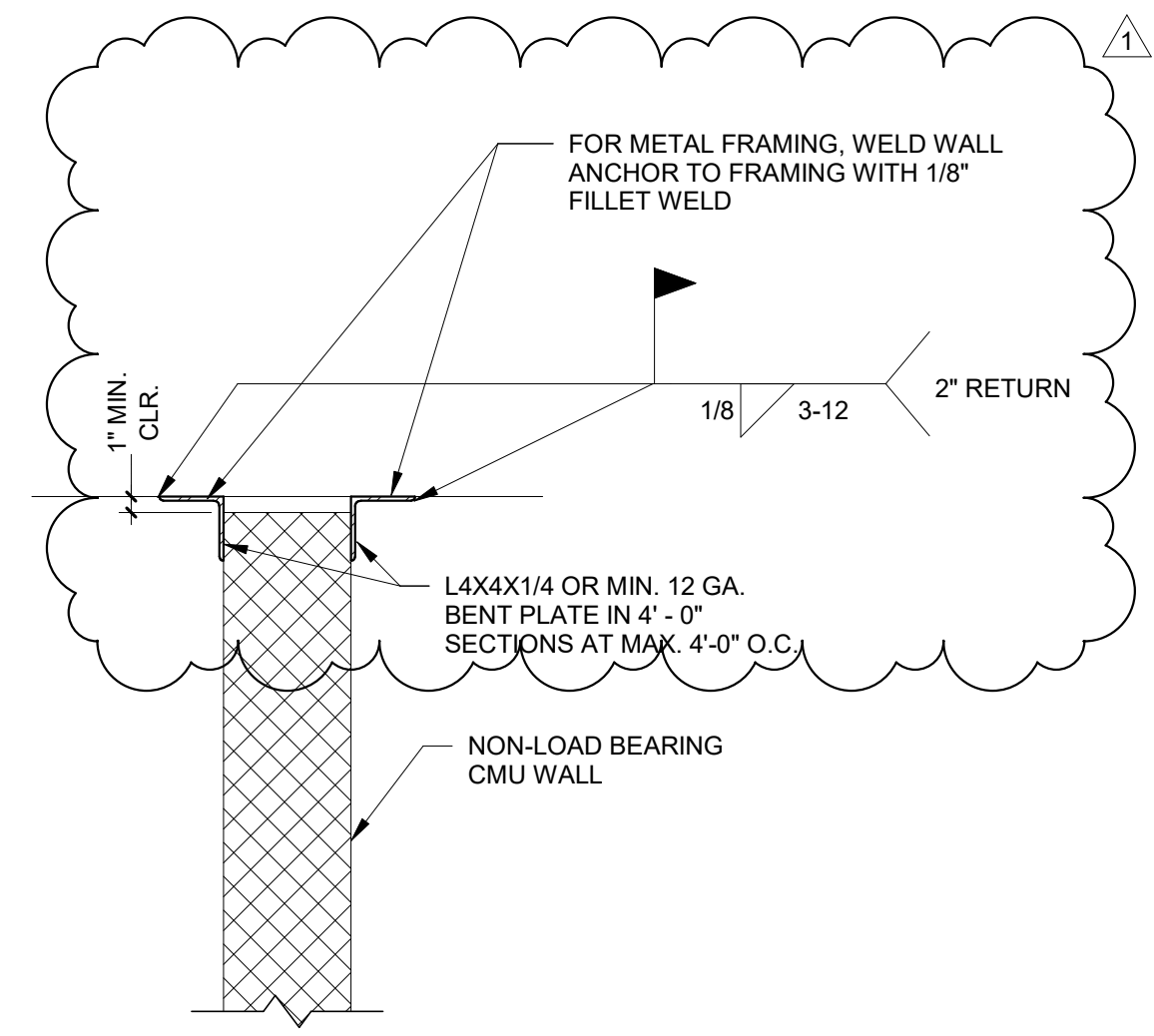
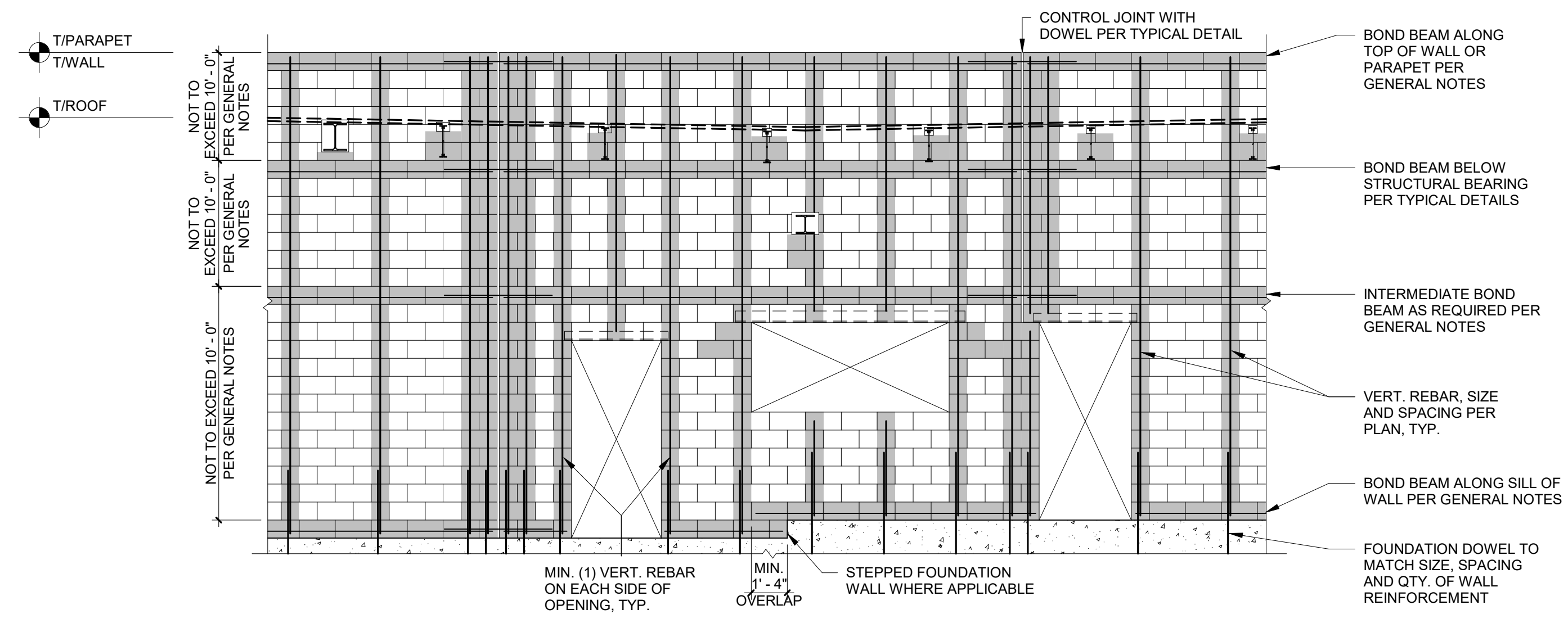
11 TYPICAL STEEL STAIR STRINGER CONNECTION  
3/4" = 1'-0"



12 TYPICAL BEAM-OVER-COLUMN CONNECTION  
3/4" = 1'-0"



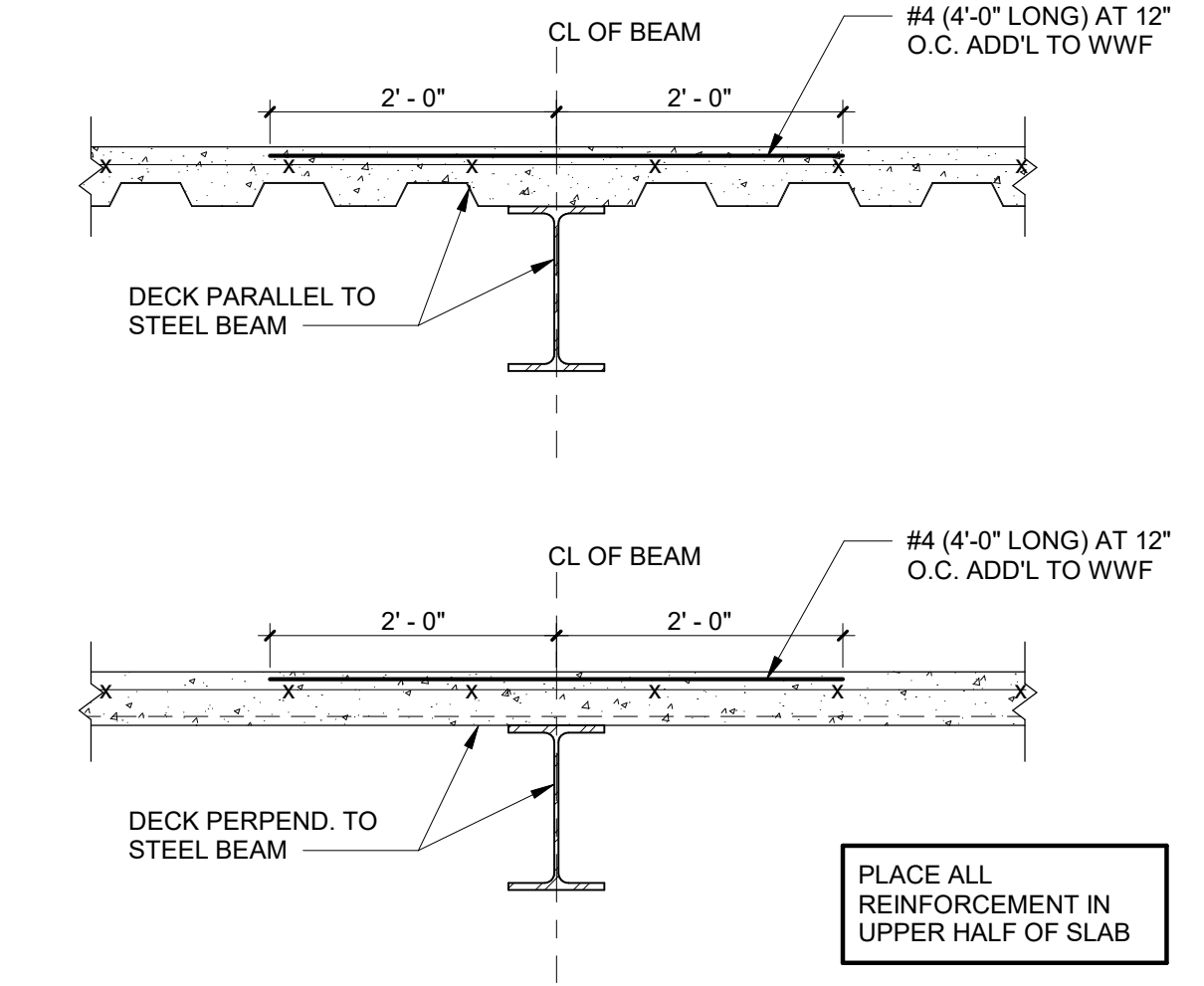
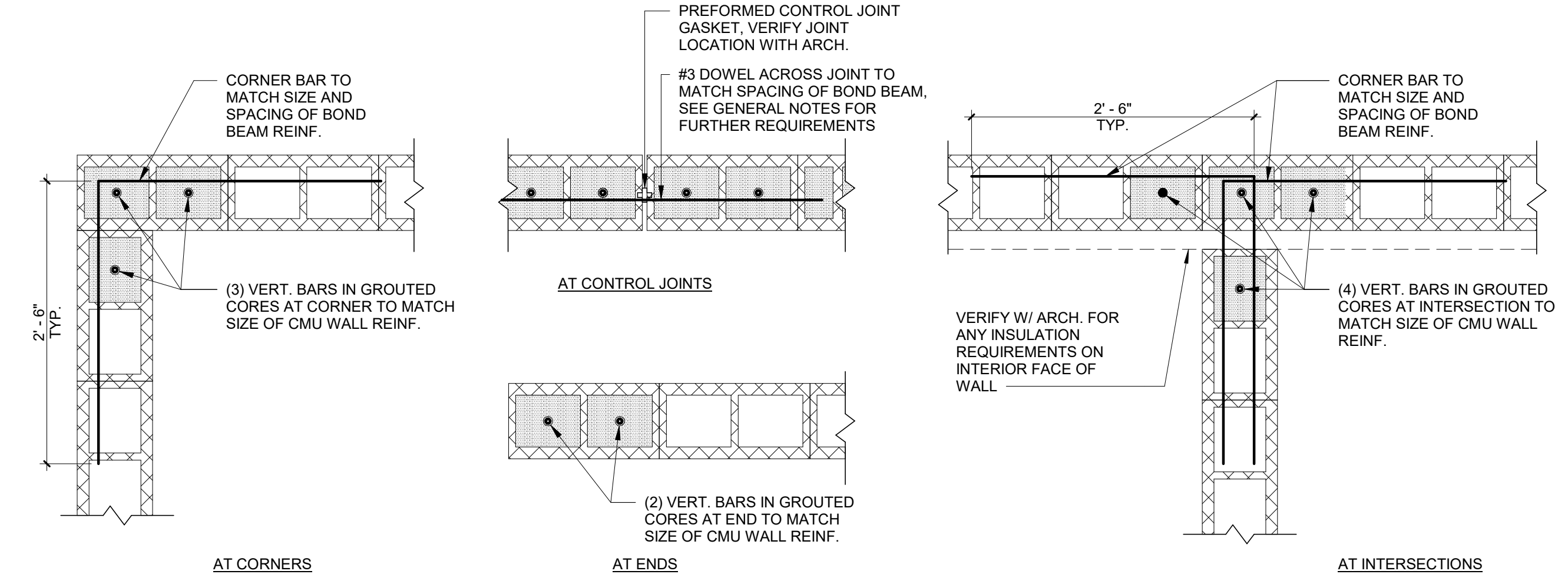
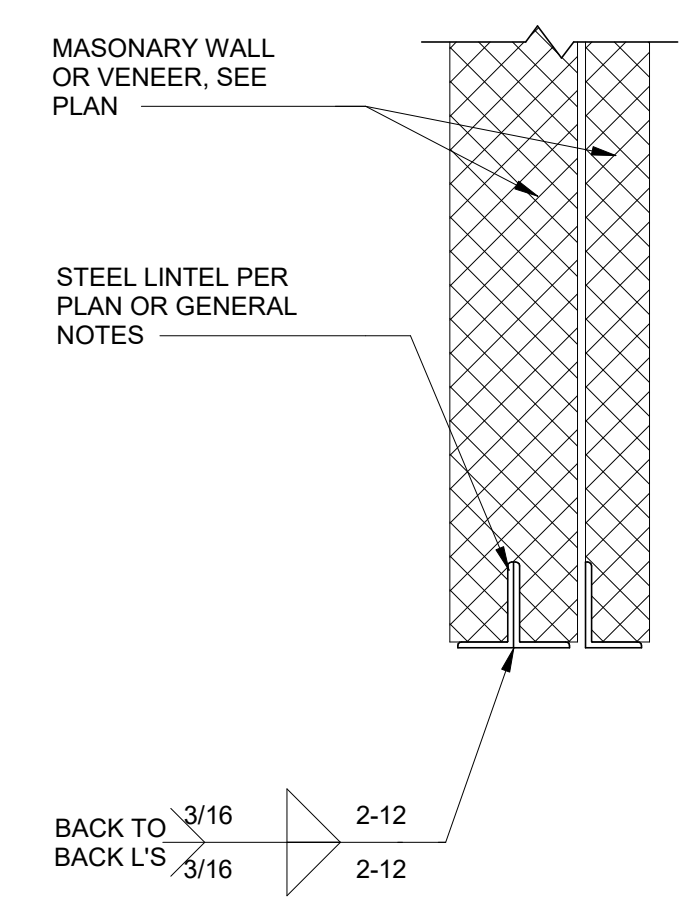




1 TYPICAL CMU ELEVATION  
1/4" = 1'-0"

2 TYPICAL CMU WALL BRACING  
1" = 1'-0"

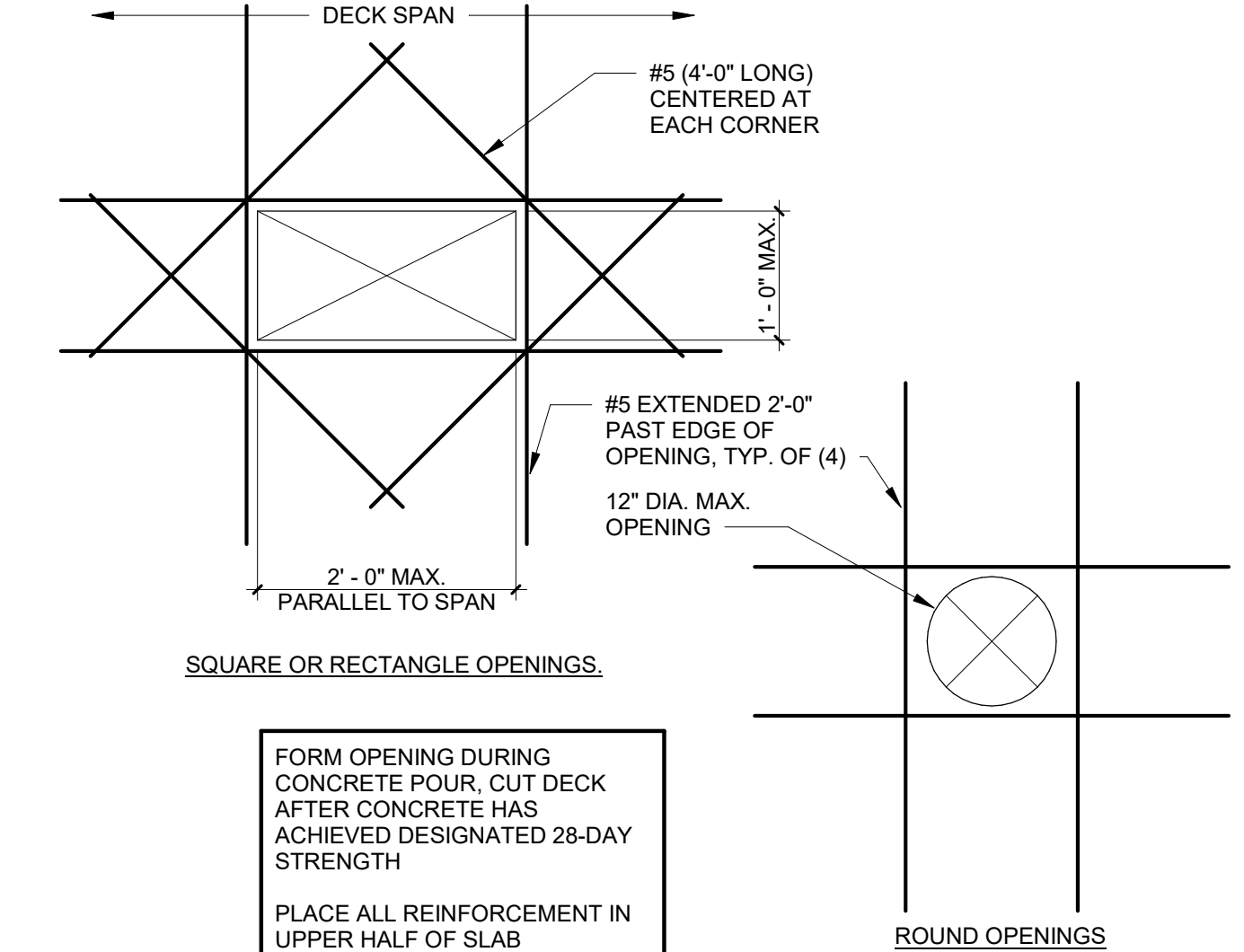
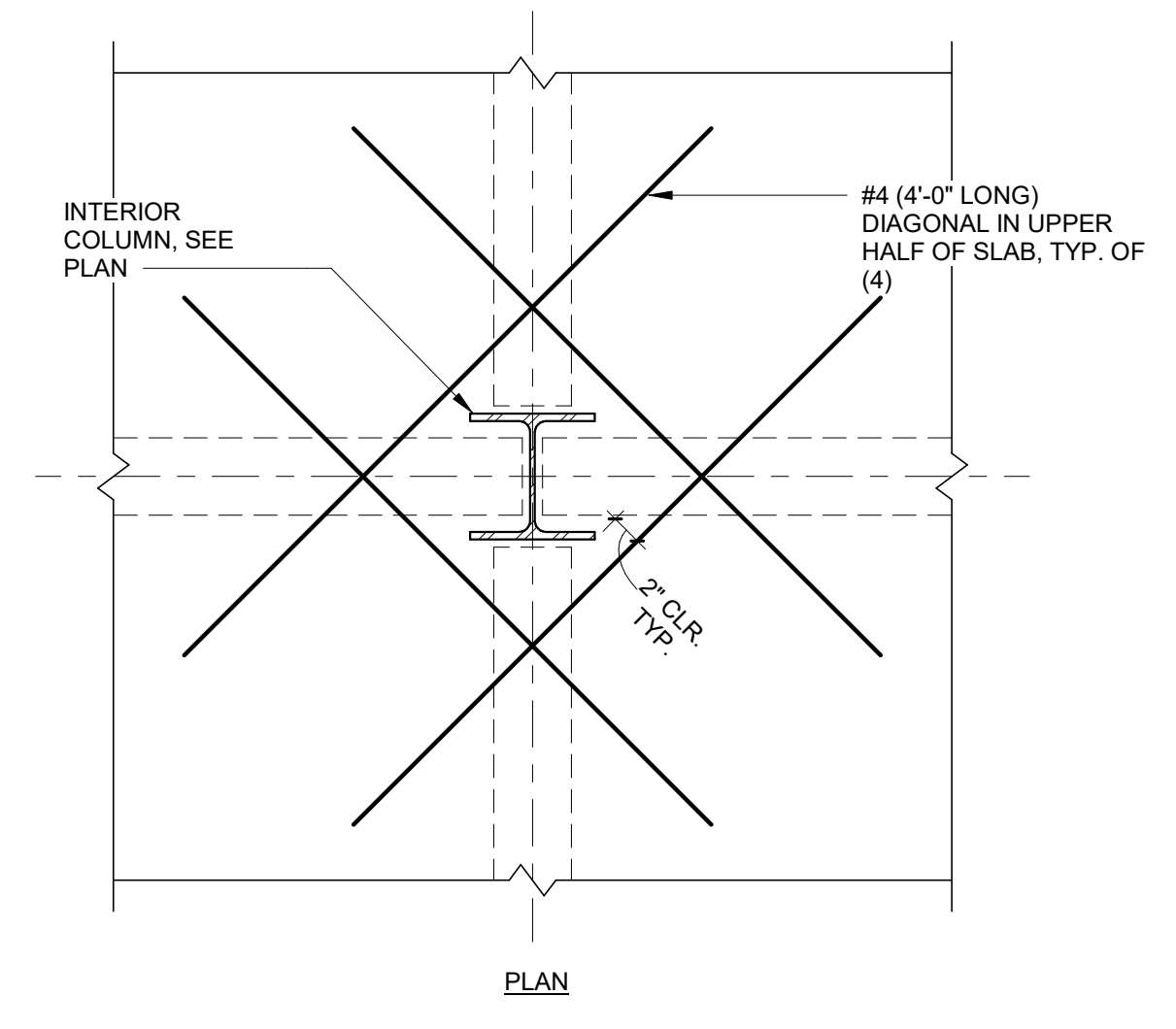
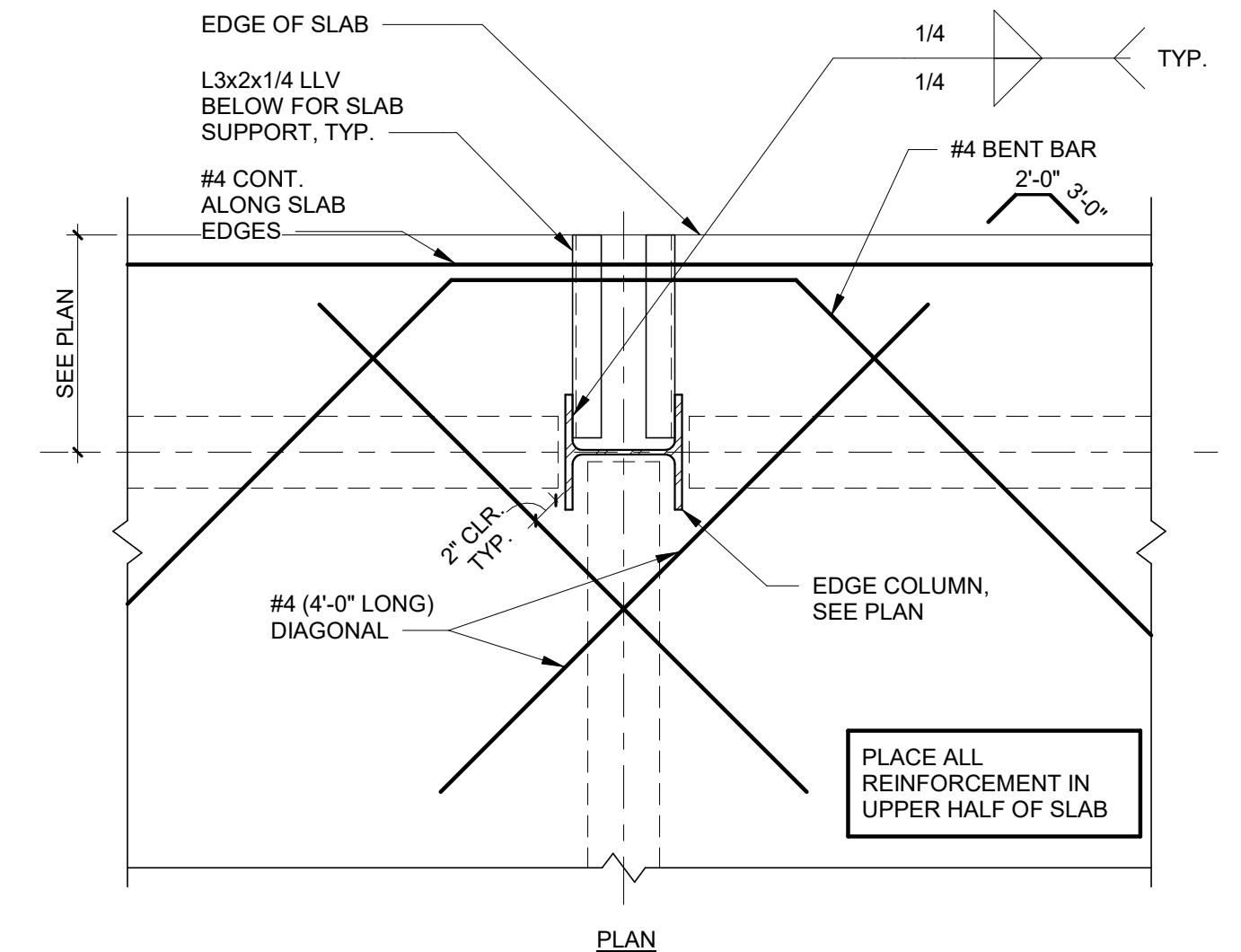
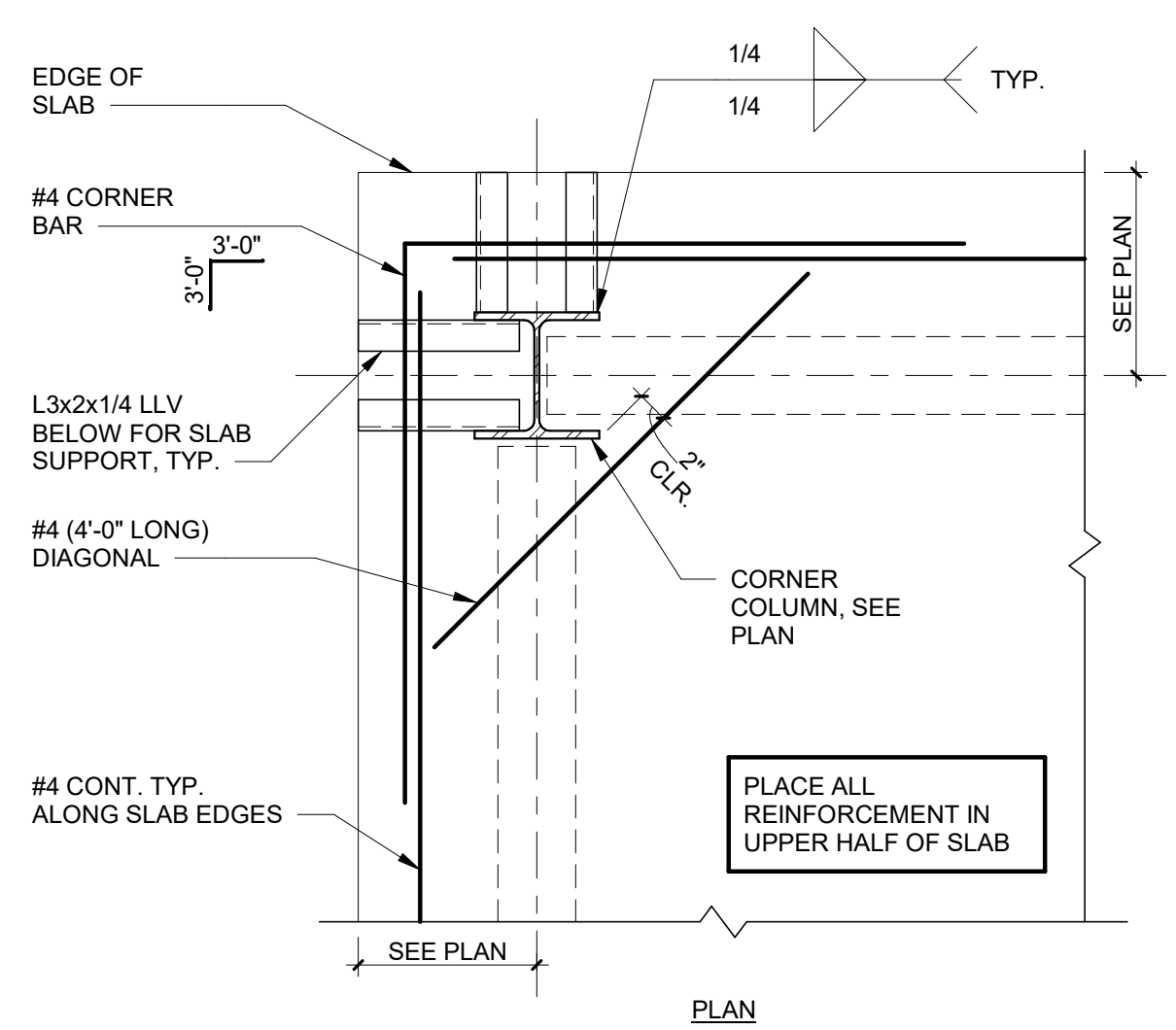
3 TYPICAL LINTEL BEARING ON CMU WALL  
1" = 1'-0"



4 TYPICAL LINTEL SECTION  
1" = 1'-0"

5 TYPICAL CMU WALL CONSTRUCTION  
1" = 1'-0"

6 TYPICAL SLAB-ON-DECK REINFORCEMENT OVER INTERIOR BEAM SUPPORT  
3/4" = 1'-0"



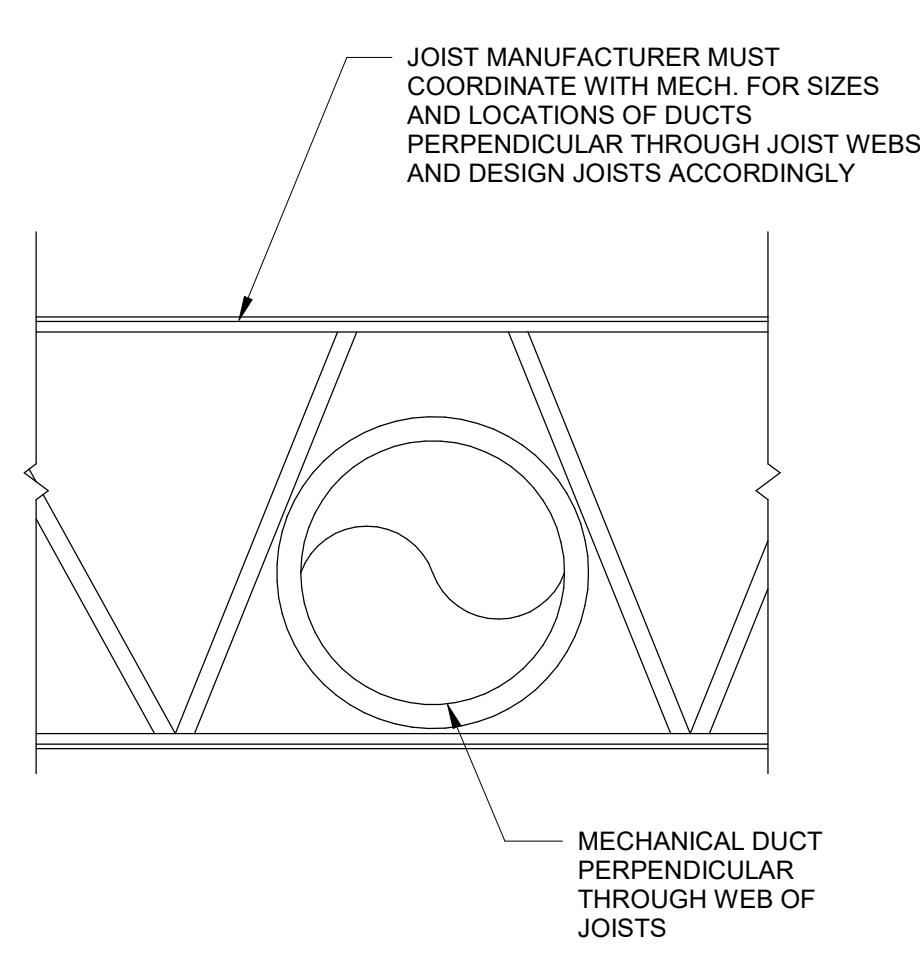
7 TYPICAL SLAB-ON-DECK REINFORCEMENT AT CORNER COLUMN  
1" = 1'-0"

8 TYPICAL SLAB-ON-DECK REINFORCEMENT AT EDGE COLUMN  
1" = 1'-0"

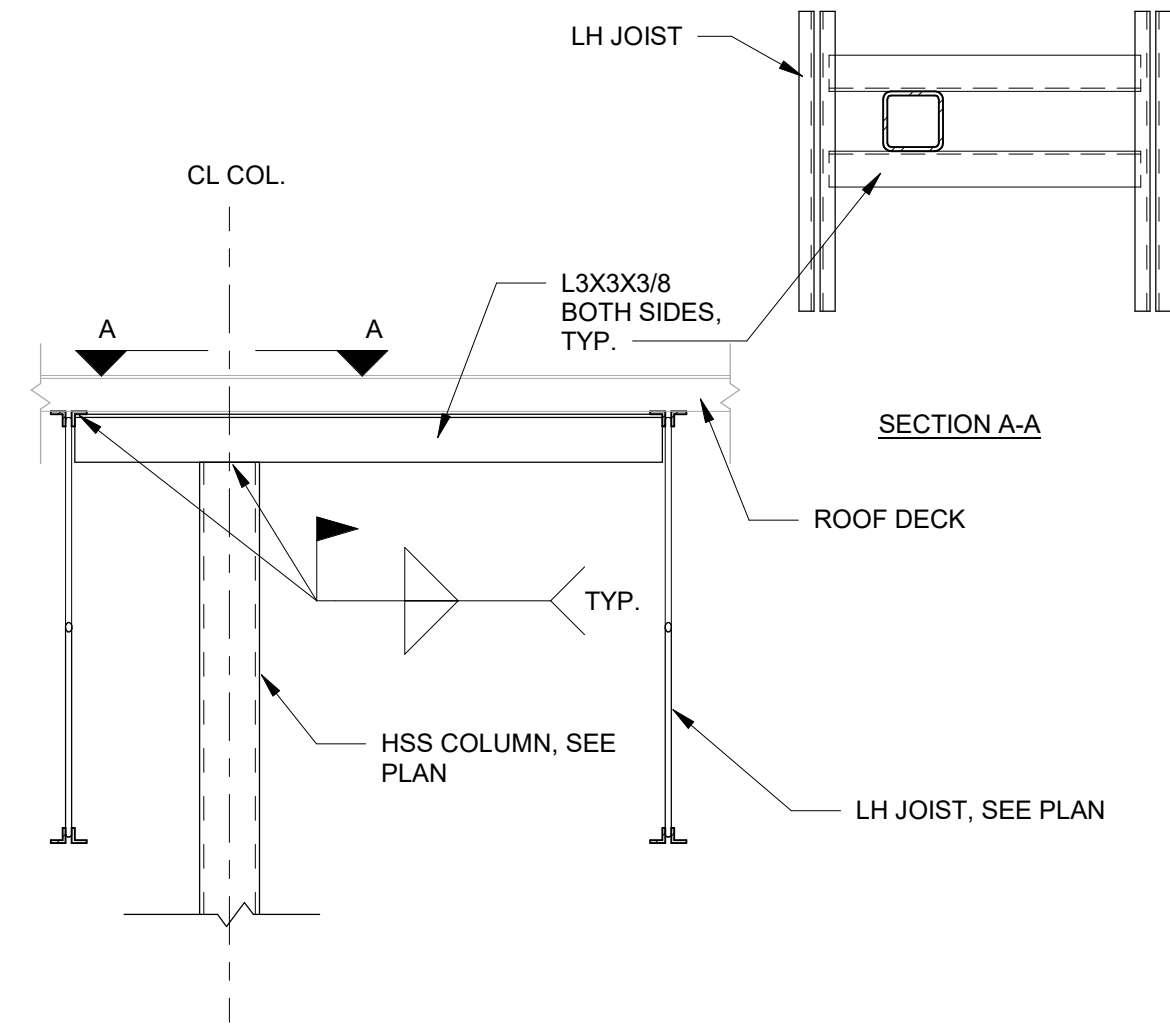
9 TYPICAL SLAB-ON-DECK REINFORCEMENT AT INTERIOR COLUMN  
1" = 1'-0"

10 TYPICAL SLAB-ON-DECK REINFORCEMENT AT OPENING  
3/4" = 1'-0"

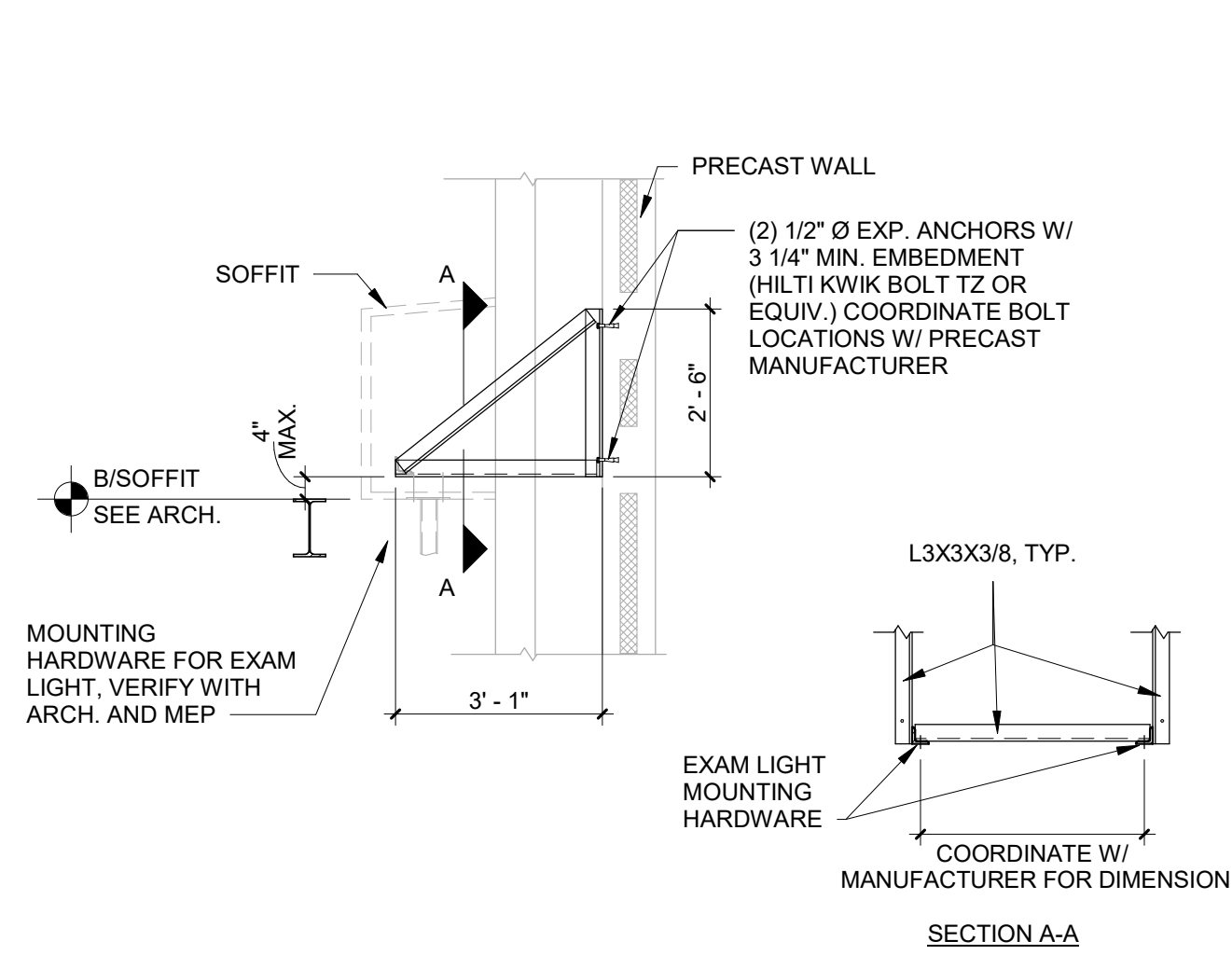
1/14/2020 3:33:43 PM  
COPYRIGHT © 2019 ALL RIGHTS RESERVED



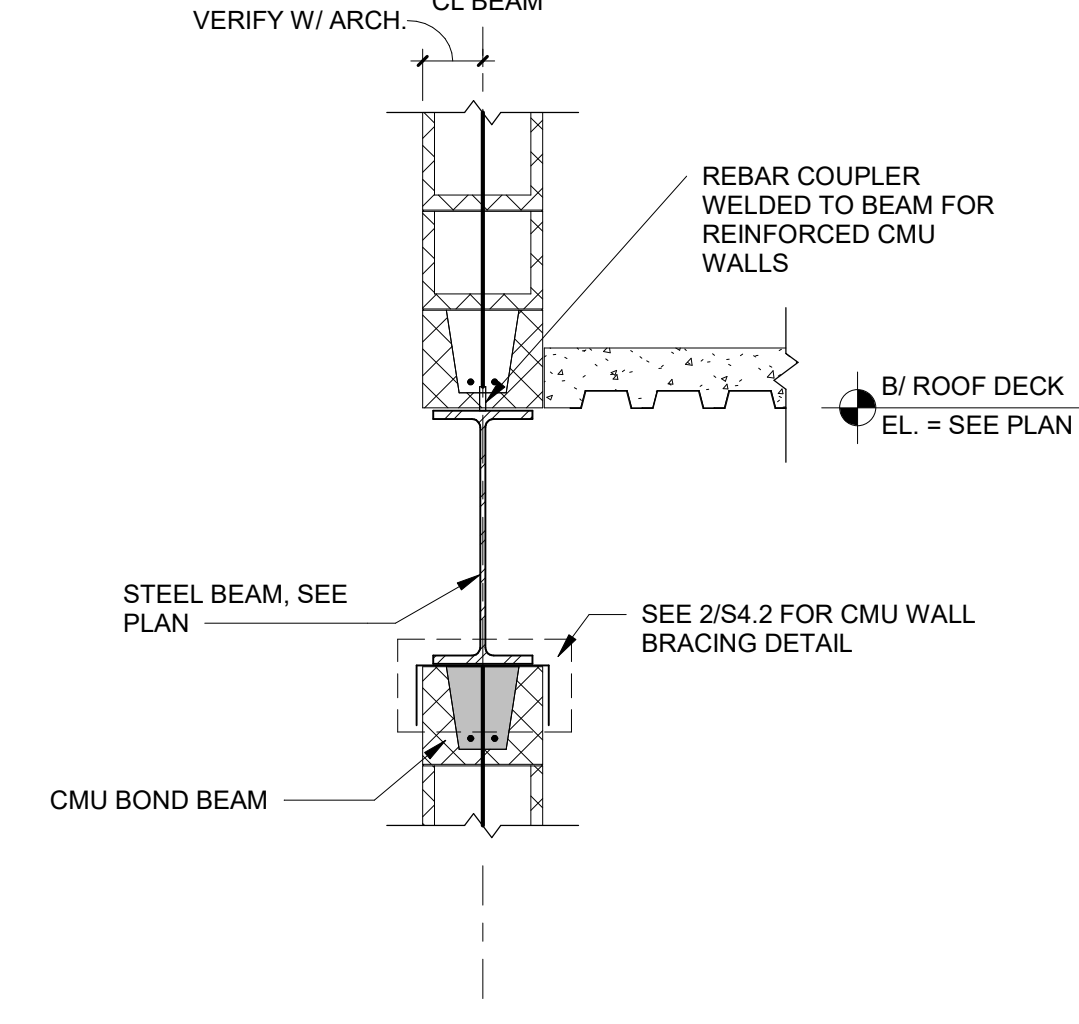
1 SECTION AT MECHANICAL DUCT ACROSS JOIST  
3/4" = 1'-0"



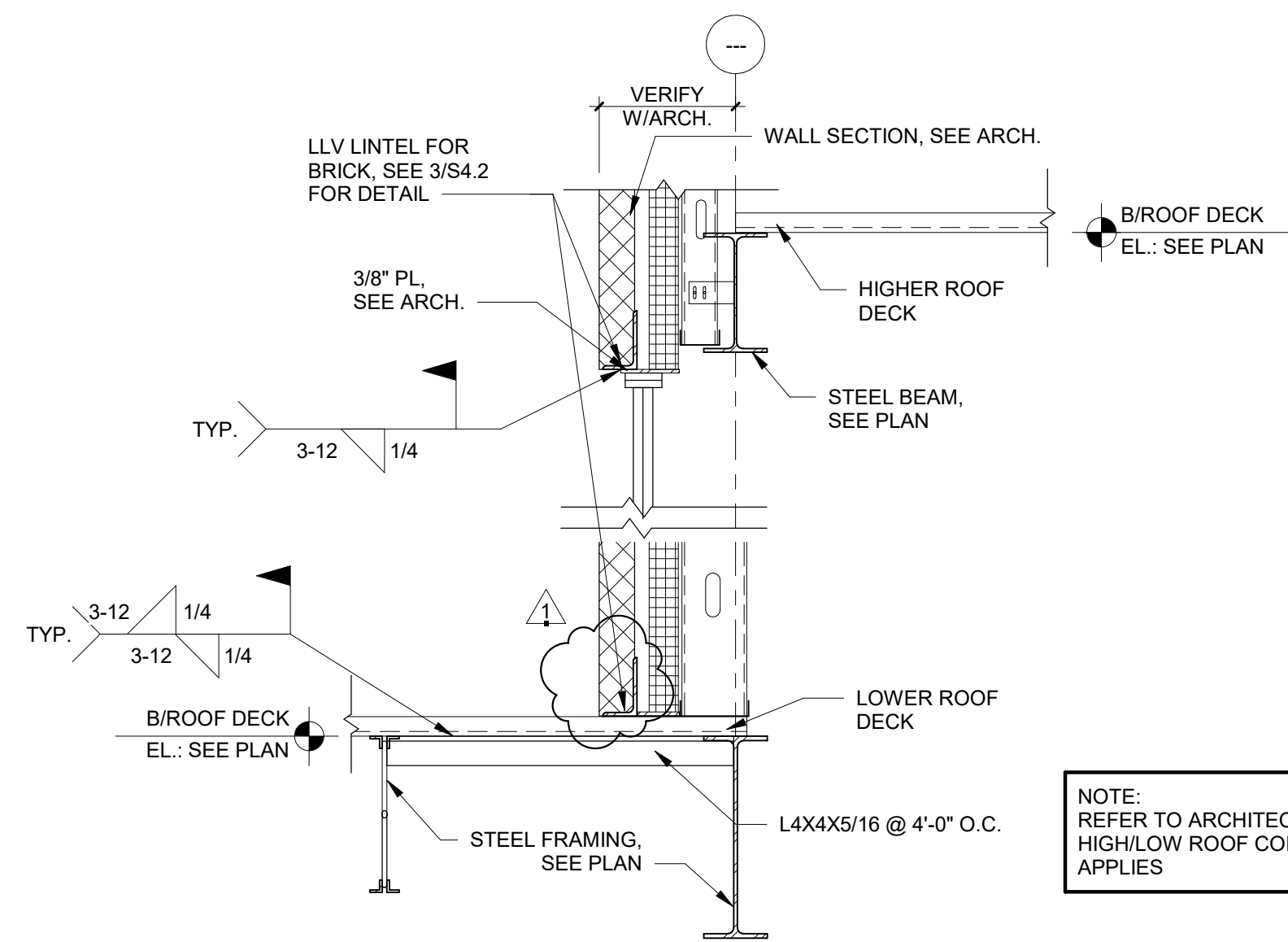
2 SECTION AT COLUMN TO ROOF CONNECTION  
3/4" = 1'-0"



3 CEILING STRUCTURE FOR LIGHT  
3/8" = 1'-0"

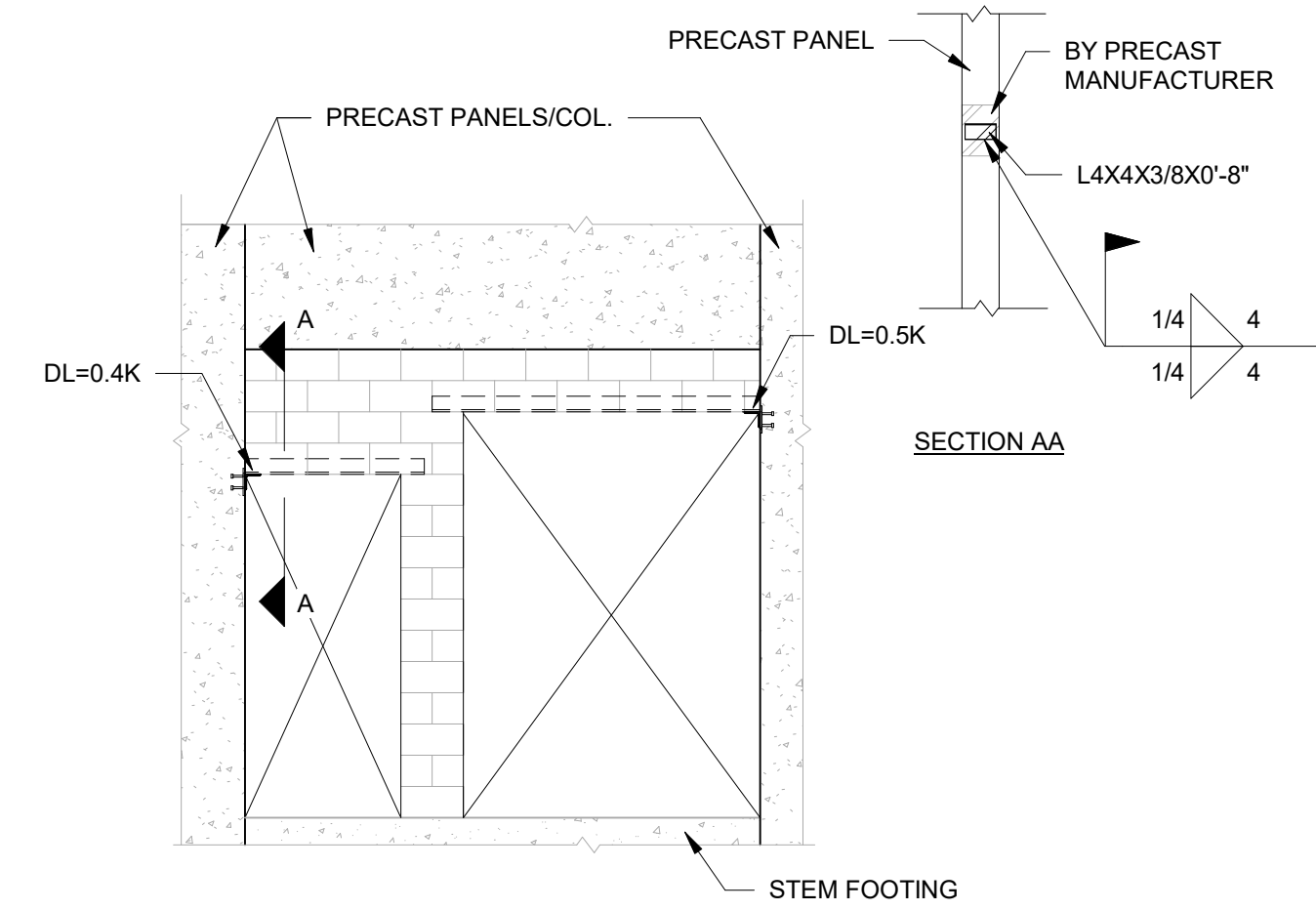


4 CMU WALL DETAIL AT MEZZANINE SLAB  
3/4" = 1'-0"



5 SECTION ALONG ROOF EDGE  
3/4" = 1'-0"

NOTE:  
REFER TO ARCHITECTURAL DRAWINGS FOR  
HIGHLOW ROOF CONDITIONS WHERE THIS DETAIL  
APPLIES



6 CMU INFILL WALL ELEVATION  
1/4" = 1'-0"