

Architectural Manual

Standard

ALUMINUM SERIES

Windows & Patio Doors



Clearly the best.®



Instructions on how to use this manual:

This document has been designed for easy navigation and to quickly click to the section you need. Here's some important tips on using this document:

- Any item print in **red**, will click through to the corresponding item.
- Click to any item in the Table of Contents on **page 3**. Click on the Milgard logo at the top of any page to return to the Table of Contents - FULL MANUAL ONLY.
- From each section's Quick Links page, click to any Drawing listed.
- From any Drawing page, click the "Go Back to Quick Links" box on the bottom right of the page to return to the list of drawings.
- Click on the links on the bottom of the page to go to Revit, SketchUp . PDF and .DWG files. Please note that you must have internet access for these links and you will be re-directed to the Milgard site.
- This document can also be navigated from Adobe Acrobat Bookmarks.

Revit, SketchUp, .PDF and .DWG files can be accessed at milgard.com/professionals or clicking here:

[Standard Aluminum Architectural Library](#)

Contents

About Standard Aluminum Series _____	4	Bay & Bow Window _____	56
Energy Packages _____	4	Configurations _____	56
Test Standards _____	4	Components _____	56
Standard Aluminum Options _____	5	Options _____	57
Full Lifetime Warranty _____	6	Bay And Bow Windows Installation _____	57
Why Milgard? _____	6	Configurations _____	58
Awning and Casement Window _____	7	Minimum/Maximum Sizes _____	58
Overview _____	7	Available Frame Styles _____	58
Components _____	7	Drawings - Quick Links _____	59
Options _____	8	Bay & Bow Window _____	60
Configurations _____	9	Sliding Door _____	71
Minimum/Maximum Sizes _____	9	Overview _____	71
Available Frame Styles _____	9	Components _____	71
Drawings - Quick Links _____	10	Options _____	72
Awning Window _____	11	Configurations _____	74
Casement Window _____	17	Minimum/Maximum Sizes _____	74
Horizontal Sliding Window _____	23	Available Frame Styles _____	74
Overview _____	23	Drawings - Quick Links _____	75
Components _____	23	Sliding Door _____	76
Options _____	24		
Configurations _____	25		
Minimum/Maximum Sizes _____	25		
Available Frame Styles _____	25		
Drawings - Quick Links _____	26		
Horizontal Sliding Window _____	27		
Picture and Radius Window _____	35		
Overview _____	35		
Components _____	35		
Options _____	36		
Configurations _____	37		
Minimum/Maximum Sizes _____	37		
Available Frame Styles _____	37		
Drawings - Quick Links _____	38		
Picture and Radius Window _____	39		
Single Hung Window _____	47		
Overview _____	47		
Components _____	47		
Options _____	48		
Configurations _____	49		
Minimum/Maximum Sizes _____	49		
Available Frame Styles _____	49		
Drawings - Quick Links _____	50		
Single Hung Window _____	51		

About Standard Aluminum Series



A Standard Aluminum window is made of extruded aluminum. No enhancements are made to reduce thermal transfer.

Features and benefits of Standard Aluminum windows include:

- Sealed, mechanically-joined corners stay square and true over years of use, helping to keep homes dry.
- Clean, narrow sight lines for contemporary designs and maximum view area.
- Milgard SunCoat® Low-E glass for excellent energy savings and protection against fabric fading.
- Industry-leading Full Lifetime Warranty.
- Anodized coating or painted finish helps to prevent against rusting, pitting and corroding.

Not all locations manufacture or sell Standard aluminum. Check with your Milgard Representative.

Energy Packages

Milgard adheres to ENERGY STAR® v6 requirements to meet or exceed U-Factor and Solar Heat Gain Coefficient (SHGC) criteria for all ENERGY STAR® zones.

Milgard also offers high energy performance options for the ultimate in energy efficiency. Energy efficient windows could include one or more of the following features based on your climate.

- SunCoat® or SunCoatMAX®
- EdgeGardMAX®
- Argon or Krypton
- 4th Surface
- Triple Glaze

For more details on Milgard Energy Efficient packages, visit www.milgard.com/learn/energy-efficiency/energy-efficient-components

To check the energy performance of all Milgard windows and doors, use our Energy Calculator at:

milgard.com/energy-calculator

Test Standards

Contact your Milgard Representative for specific test data.

CAUTION: The use of petroleum based fuels or solvents as release agents in stucco wall installations or glass cleaning will chemically attack materials used in seals and other components, and voids the Milgard Full Lifetime Warranty. The use of wax-based release agents is recommended.

Expanding foam for insulation purposes should not be used. Non-expanding foam or loose packed batt insulation is recommended.

Standard Aluminum Options

Hardware



Casement and Awning Roto Handle



Spring action lock for Single Hung and Horizontal Slider

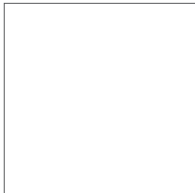


Casement and Awning Friction Handle



Sliding Door Handle - Interior

Colors



White



Clear Anodized



Bronze Anodized

Grids



5/8" Flat Grid



1-1/16" Sculpted

Full Lifetime Warranty

At Milgard, we build our windows and doors to last. With the dedication to quality that we put into building the best windows in the business, it wouldn't make sense to back them with anything but the best warranty in the business. That's why we back every properly installed window and door for as long as the homeowner owns their home—including parts and labor. It's why you can be sure you won't find any windows better than Milgard.

For complete warranty details, visit milgard.com.



Why Milgard?

Milgard is one of the largest and most trusted names in windows and doors. For the last 50 years, we've demonstrated our commitment to innovation, quality and service.

While our coverage is extensive, our service is local. Milgard has multiple locations throughout the Western U.S. and Western Canada. Our belief is that by being close to our customers, we can provide them better service. This means faster lead and delivery time, as well as faster response to any warranty situations. We're there for you long after the job has been completed. Milgard also has a comprehensive network of qualified dealers and offers some of the best training in the industry.

Awards give you added assurances and Milgard has been named "Best Quality in the Nation" eight times and the nation's "Most Used Vinyl Window" four times by Builder magazine. Both Professional Remodeler and Professional Builder magazines have named us "Most Preferred Vinyl Window" three times.

Horizontal Sliding Window

Please also see:

[Standard Aluminum Options](#)

[Full Lifetime Warranty](#)

Overview

The Standard Aluminum Series horizontal slider is designed as an inside slider (the sliding panel or “vent” slides inside the stationary panel). For the vent to open completely, there must be at least an equal size adjacent stationary panel. Horizontal Sliders can be used alone or combined with picture, gable or radius windows for vent below and vent above options.

Components

FRAME

Frame components are made from 6063-T5 aluminum alloy with a structural wall thickness of .060”, and non-structural wall thickness of .050”. The frame is available in clear and bronze anodized finishes with a standard .4” mil coating thickness, and white baked enamel finish.

The Horizontal Slider is designed for clean lines and high visual appeal with maximum glass exposure. Wide screw spacing on the mechanically joined corners ensure a rigid connection with a consistent dimension. Corners are sealed for added protection from the weather. The standard frame is 2-1/16” in width.

NAIL-ON FIN

An integral nailing fin extends 1” around the perimeter of the standard frame and is used to attach the window into the rough opening. The fin is scored for complete removal for retrofit/wood stop installations. The fin is setback 1-1/16” from the exterior edge of the frame.

WEEP SYSTEM

Split sill construction and baffled, hidden weep holes drain water from the track. The unique sill design greatly reduces the occurrence of “blow back”, or water seeping to the inside caused by a combination of wind and rain.

GLAZING MATERIAL

AAMA approved glazing tape adheres glass to the fixed and vent frame and seals and cushions the glass. Rigid vinyl setting blocks are used to support the unit above the sill, preventing glass slippage and glass-to-metal contact. Extruded vinyl glazing (snap-in) bead is applied around the exterior edge. The vent panel utilizes a “Ushaped” vinyl channel designed to seal the unit and cushion the glass from the frame.

GLASS

Glass options are available in 3/4” overall insulating units in clear, tinted, reflective, obscure, Low-E, and safety glass. Other specialty glass is available upon request.

VENT PANEL

The vent is engineered for the thickness and weight of insulating glass. It's roller assembly rides on a monorail track for easy operation and durability. This raised track in the frame sill helps keep the vent operation free from interference by foreign particles that may collect in the sill.

WEATHERSTRIPPING

Silicone treated, water repellent polypropylene fin seal weather-stripping provides a durable, weather tight seal. This weather-stripping is installed in an integral, continuous keyway around the entire perimeter of the vent panel.

ROLLER ASSEMBLY

Self-lubricating, wear resistant, dual nylon rollers provide flexible, freewheeling, smooth and silent operation. Rollers are engineered for reduction of friction and elimination of torque on the vent frame. Prevention of metal-to-metal contact eliminates unsightly wear marks on the monorail track. Roller housings without rollers are installed in the vent top to serve as guides.

LOCKING ASSEMBLY

An automatic, spring-loaded, positive lock is located on the vent lock stile and secures to the vertical meeting rail. The aluminum handle is adjustable to any desired height. When the window is fully closed it will lock automatically.

SCREEN

Screen frames are aluminum, finished with three coats of color matched baked polyester for long term durability. Tension springs are integrated in the screen frame for a secure fit and easy installation

from inside or outside. The screen material is an attractive, low maintenance gray fiberglass mesh.

Options

Available options include:

GRIDS

Available in 5/8" standard or 1-1/16" sculptured aluminum pro-files sealed between panes.

SPACER

Spacer available in a standard clear finish or optional bronze or champagne finish in the airspace of the insulating glass units. PGG Intercept™ warm-edge steel spacer available in certain regions. Contact your Milgard representative for spacers used in your area.

STUCCO FIN

1 3/8" fin setback. Check with local branch for availability.

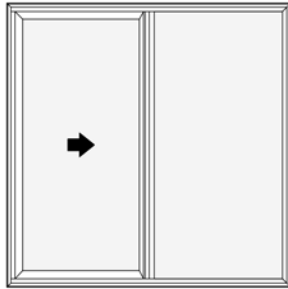
TEST STANDARDS

Contact your Milgard Representative for specific data.

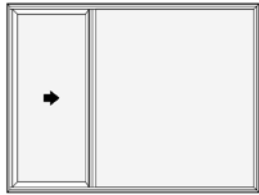
CAUTION: The use of petroleum based fuels or solvents as release agents in stucco wall installations or glass cleaning will chemically attack materials used in seals and other components, and voids the Milgard Full Lifetime Warranty. The use of wax based release agents is recommended. Expanding foam for insulation purposes should not be used. Non-expanding foam or loose packed batt insulation is recommended.

Horizontal Sliding Window

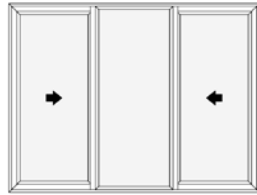
Configurations



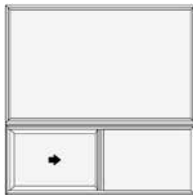
Half Vent



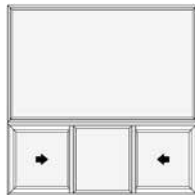
Single Vent



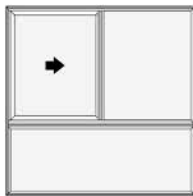
Double Vent



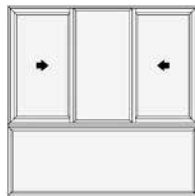
Half Vent below



Double Vent below



Half Vent above



Double Vent above

Minimum/Maximum Sizes

HALF VENT

- Min 2⁰1⁰ Max 6⁰6⁰

DOUBLE VENT

- Min 4⁰1⁰ Max 10⁰6⁰

HALF VENT (BELOW/ABOVE)

- Min 2⁰2⁰ Max 6⁰7⁰

DOUBLE VENT (BELOW/ABOVE)

- Min 4⁰2⁰ Max 8⁰7⁰

Available Frame Styles

- 1" Setback
- 1-3/8" Setback
- Standard Z-bar
- No Fin (Block Frame)
- H-Bar (Slope Sill)

NOTE: For engineering approval contact your Milgard representative for any configuration over 40 square feet. Each Milgard Manufacturing plant reserves the right to alter or change sizes and configurations according to location capabilities. Ask your Milgard rep about specialty applications. Windows over 40 square feet shipped open for field glazing. Varies by location.

Not all frame styles available at all Milgard locations. Contact your Milgard Representative for more information.

Drawings - Quick Links

Horizontal Sliding Window

16—1-1/16" Nailfin Setback

17—1-3/8" Nailfin Setback

18—Block Frame

19—Z-bar Frame

20—1" Nailfin Setback - Double Vent

21—1" Nailfin Setback - Half Vent Above

22—1" Nailfin Setback - Half Vent Below

23—1-3/8" Nailfin Setback - Half Vent Below

Revit, SketchUp, .PDF and .DWG files can be accessed at milgard.com/professionals or clicking here:

[Standard Aluminum Architectural Library](#)

Standard Aluminum

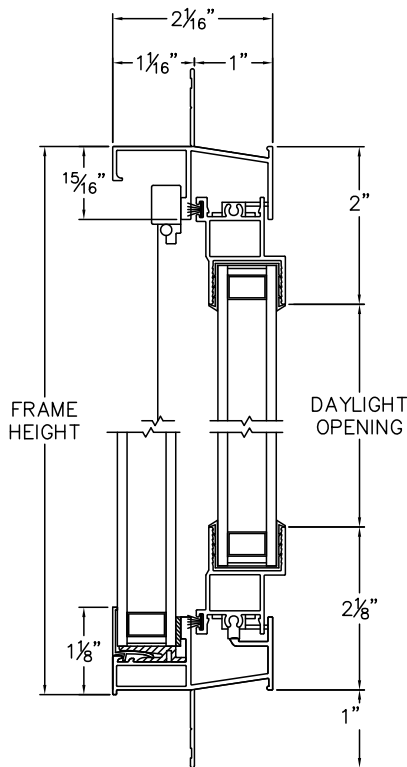
Horizontal Sliding Window

1-1/16" Nailfin Setback

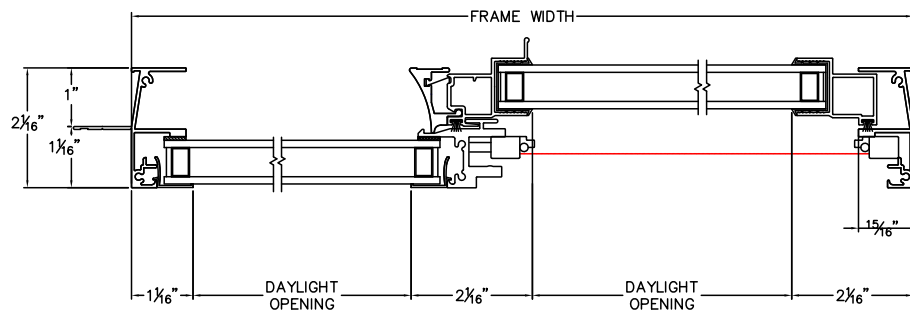
CAD File Scale	View	File Name	Units
NTS	Horizontal & Vertical	Aluminum 1110 HV 1in	Inch

More Technical Documents can be found at milgard.com/professionals
Due to continual research and development, details may be changed at any time. ©2013 Milgard Mfg.

HORIZONTAL SLIDER SERIES 1110C



HEAD & SILL



JAMBS

Revit, SketchUp, .PDF and .DWG files can be accessed at milgard.com/professionals or clicking here:

[Standard Aluminum Architectural Library](#)

[Go back to Quick Links](#)

Standard Aluminum

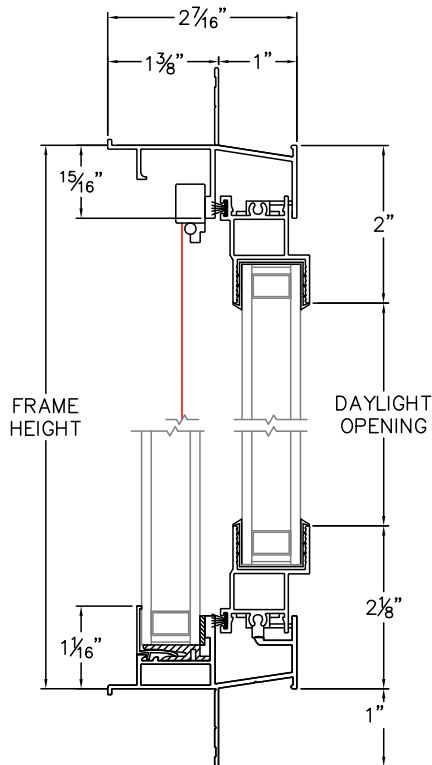
Horizontal Sliding Window

1-3/8" Nailfin Setback

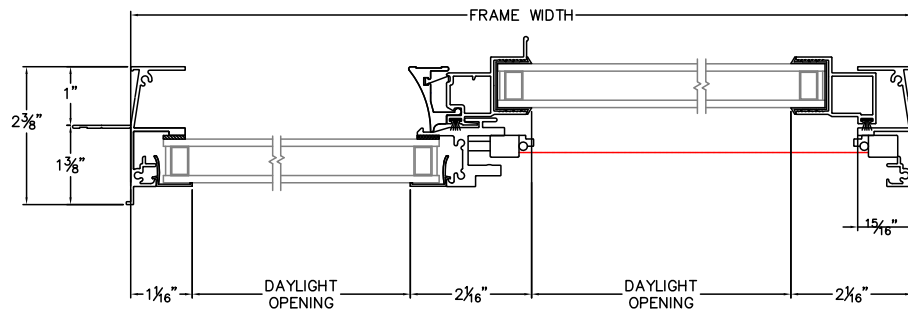
CAD File Scale	View	File Name	Units
NTS	Horizontal & Vertical	Aluminum 1110S HV 1 375in	Inch

More Technical Documents can be found at milgard.com/professionals
Due to continual research and development, details may be changed at any time. ©2013 Milgard Mfg.

HORIZONTAL SLIDER SERIES 1110S



HEAD & SILL



JAMBS

Revit, SketchUp, .PDF and .DWG files can be accessed at milgard.com/professionals or clicking here:

[Standard Aluminum Architectural Library](#)

[Go back to Quick Links](#)

Standard Aluminum

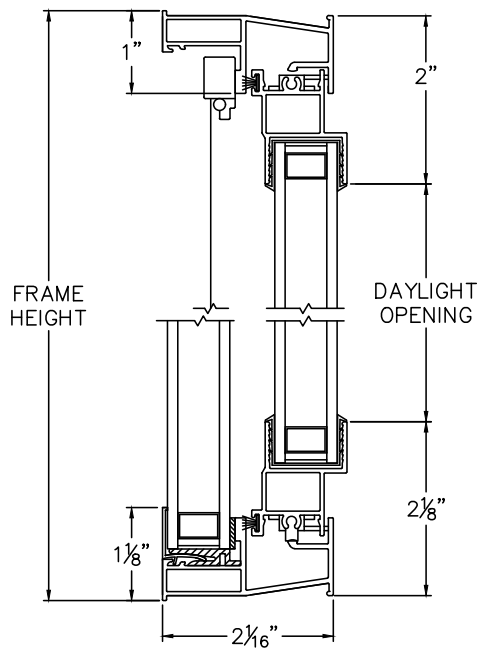
Horizontal Sliding Window

Block Frame

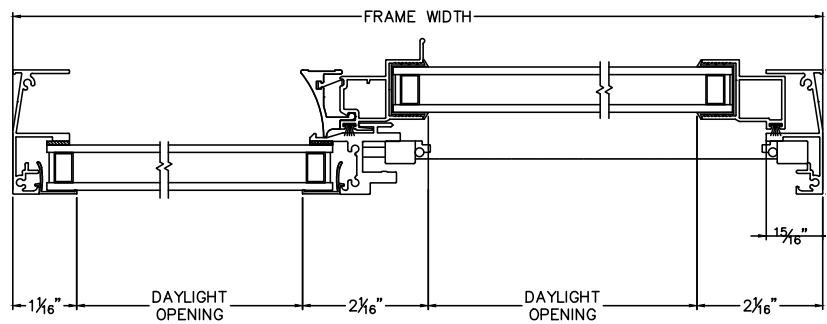
CAD File Scale	View	File Name	Units
NTS	Horizontal & Vertical	1110 HV	Inch

More Technical Documents can be found at milgard.com/professionals
Due to continual research and development, details may be changed at any time. ©2013 Milgard Mfg.

HORIZONTAL SLIDER SERIES 1110



HEAD & SILL



JAMBS

Revit, SketchUp, .PDF and .DWG files can be accessed at milgard.com/professionals or clicking here:

[Standard Aluminum Architectural Library](#)

[Go back to Quick Links](#)

Standard Aluminum

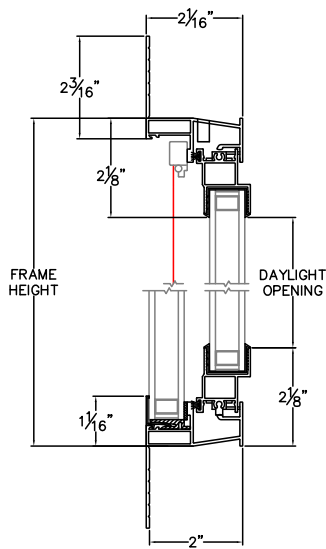
Horizontal Sliding Window

Z-bar Frame

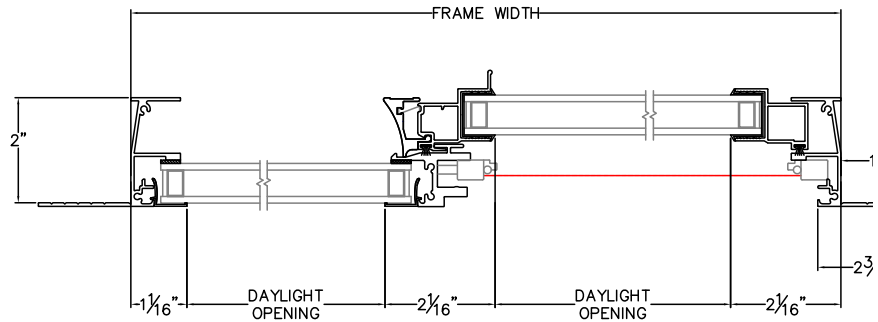
CAD File Scale	View	File Name	Units
NTS	Horizontal & Vertical	Aluminum_1280_HV_zbar	Inch

More Technical Documents can be found at milgard.com/professionals
Due to continual research and development, details may be changed at any time. ©2013 Milgard Mfg.

HORIZONTAL SLIDER SERIES 1280



HEAD & SILL



JAMBS

Revit, SketchUp, .PDF and .DWG files can be accessed at milgard.com/professionals or clicking here:

[Standard Aluminum Architectural Library](#)

[Go back to Quick Links](#)

Standard Aluminum

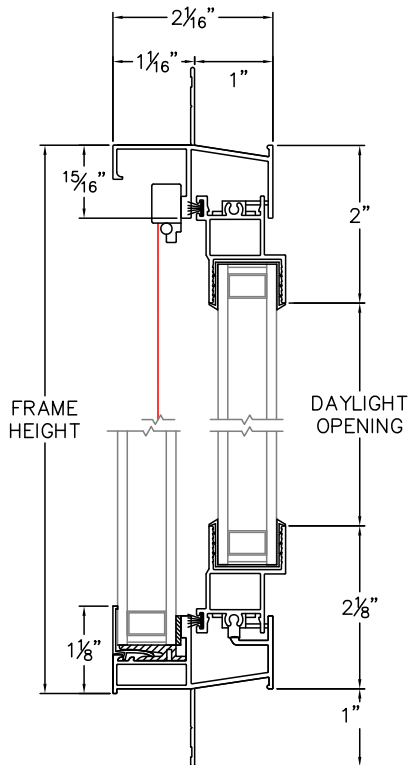
Horizontal Sliding Window

1" Nailfin Setback - Double Vent

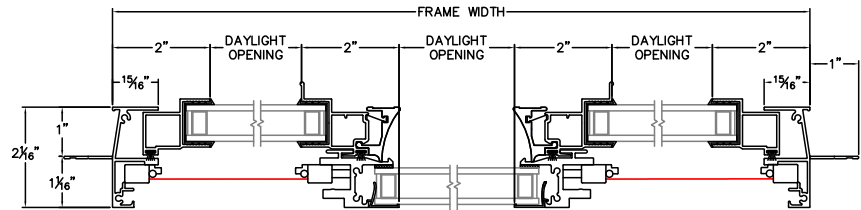
CAD File Scale	View	File Name	Units
NTS	Horizontal & Vertical	Aluminum 1110C DV 1in	Inch

More Technical Documents can be found at milgard.com/professionals
Due to continual research and development, details may be changed at any time. ©2013 Milgard Mfg.

DOUBLE VENT SERIES 1110C



HEAD & SILL



JAMBS

Revit, SketchUp, .PDF and .DWG files can be accessed at milgard.com/professionals or clicking here:

[Standard Aluminum Architectural Library](#)

[Go back to Quick Links](#)

Standard Aluminum

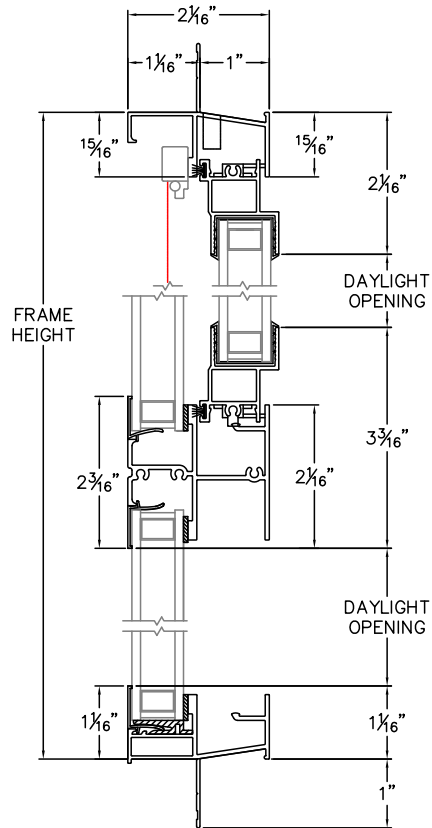
Horizontal Sliding Window

1" Nailfin Setback - Half Vent Above

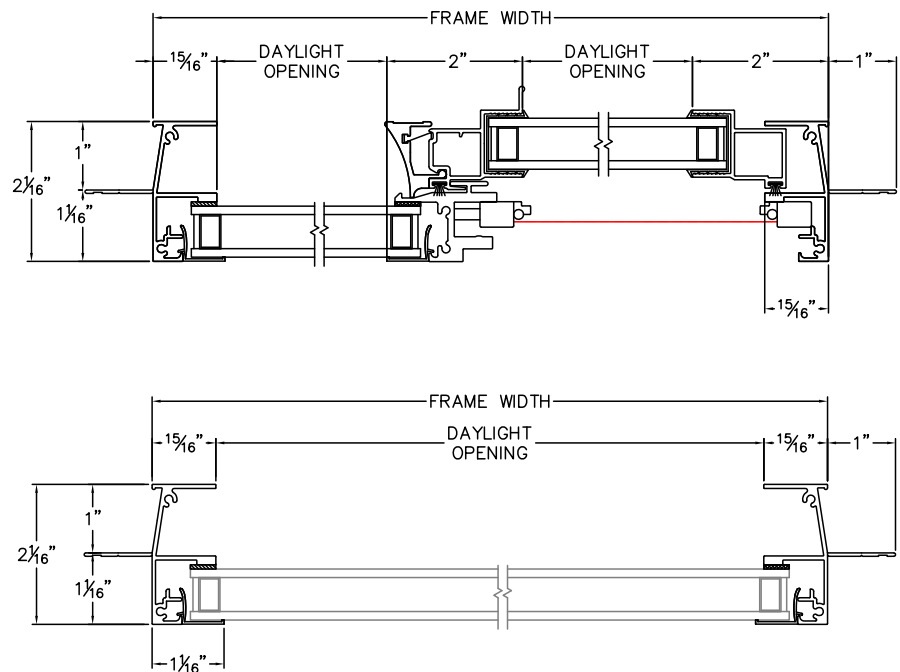
CAD File Scale	View	File Name	Units
NTS	Horizontal & Vertical	Aluminum_1110C_HVA_1in	Inch

More Technical Documents can be found at milgard.com/professionals
Due to continual research and development, details may be changed at any time. ©2013 Milgard Mfg.

HORIZONTAL SLIDER ABOVE SERIES 1110C



HEAD & SILL



JAMBS

Revit, SketchUp, .PDF and .DWG files can be accessed at milgard.com/professionals or clicking here:

[Standard Aluminum Architectural Library](#)

[Go back to Quick Links](#)

Standard Aluminum

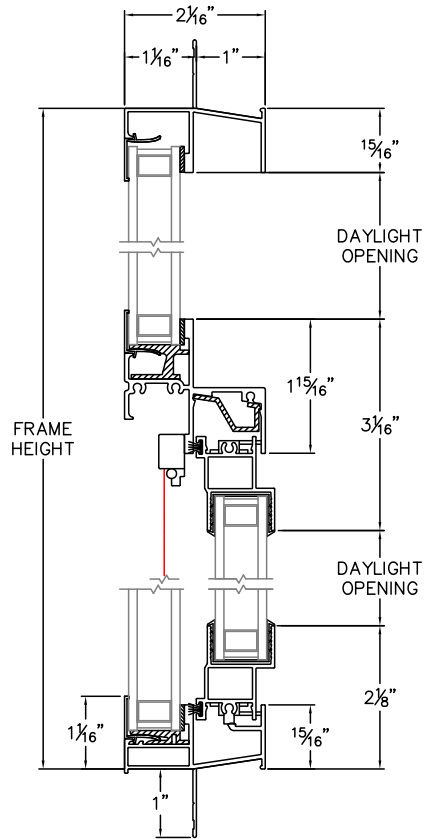
Horizontal Sliding Window

1" Nailfin Setback - Half Vent Below

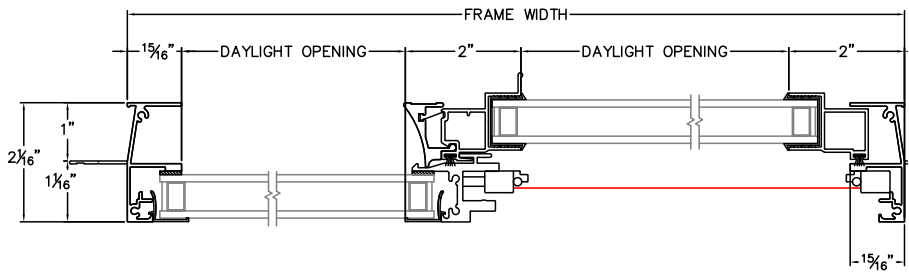
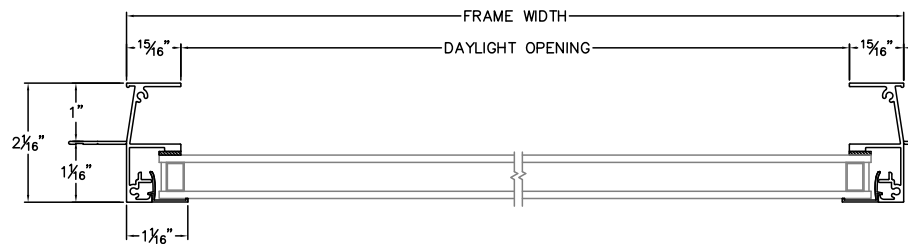
CAD File Scale	View	File Name	Units
NTS	Horizontal & Vertical	Aluminum 1110C HVB 1in	Inch

More Technical Documents can be found at milgard.com/professionals
Due to continual research and development, details may be changed at any time. ©2013 Milgard Mfg.

HORIZONTAL SLIDER BELOW SERIES 1110C



HEAD & SILL



JAMBS

Revit, SketchUp, .PDF and .DWG files can be accessed at milgard.com/professionals or clicking here:

[Standard Aluminum Architectural Library](#)

[Go back to Quick Links](#)

Standard Aluminum

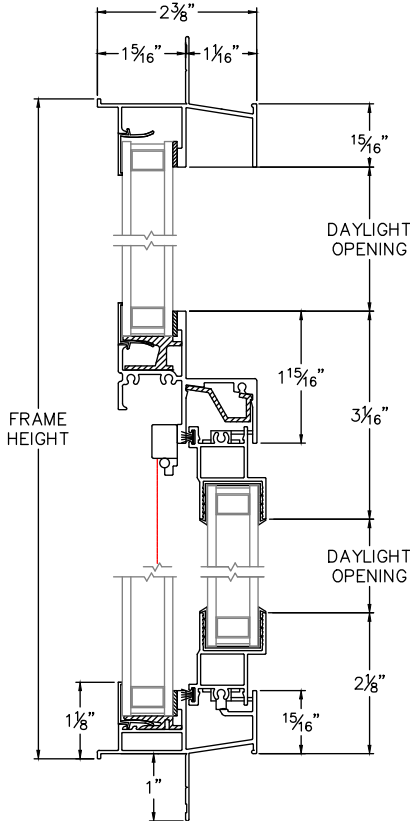
Horizontal Sliding Window

1-5/16" Nailfin Setback - Half Vent Below

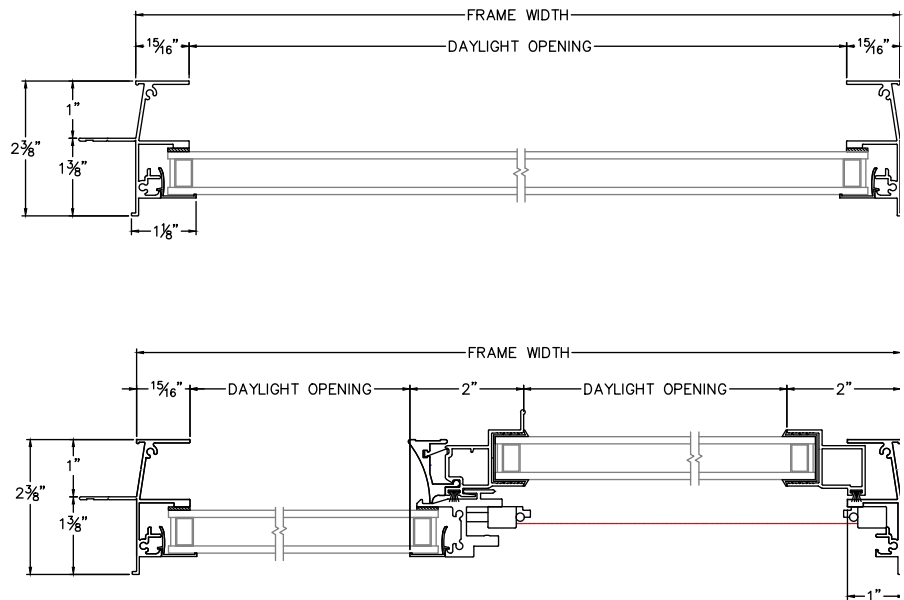
CAD File Scale	View	File Name	Units
NTS	Horizontal & Vertical	Aluminum_1110C_HVB_1.375in	Inch

More Technical Documents can be found at milgard.com/professionals
Due to continual research and development, details may be changed at any time. ©2013 Milgard Mfg.

HORIZONTAL SLIDER BELOW SERIES 1110C



HEAD & SILL



JAMBS

Revit, SketchUp, .PDF and .DWG files can be accessed at milgard.com/professionals or clicking here:

[Standard Aluminum Architectural Library](#)

[Go back to Quick Links](#)