

# ASG, Division of Jergens, Inc.

Products and Solutions for Assembly

# The Jergens® Family of Businesses



- 4 Operating Divisions
- 2 Wholly Owned International Subsidiaries

- 400+ Employees
- 200,000+ Sq. Ft. of Manufacturing Space



Quality System Certified



# The Jergens® Family of Businesses



- Jergens – Tooling Components Division (TCD) is a manufacturer of Workholding Solutions; Specialty Fasteners and Lifting Solutions



- JIS, Division of Jergens Inc. is Ohio's largest distributor of metalworking products representing over 300 of the top manufacturers in the United States



- Acme is a manufacturer of Drill Bushings and Threaded Inserts in Chicago, IL

# Who We Are



# Objectives

- Torque vs. Clamp Load
- How the application affects torque
- How the speed impacts torque







## Reliable Performance

High reliability, durability and repeatability. Unsurpassed error-proofing, long life and ease of use.



## What is the Assembly Product Group?

The Assembly Product Group is comprised of a wide range of products and solutions for general assembly

## Featured in this product group:

- Electric and manual torque control products from low to mid torque range
- HIOS premium brand electric torque controlled screwdriver and accessories
- ASG branded value engineered torque controlled screwdrivers and accessories
- General assembly workstation aides such as screw presenters, tape and label dispensers, and torque testers

# Assembly Overview

- Low Torque Screwdrivers
- Medium Torque Screwdrivers
- Standard Torque Screwdrivers
- High Torque Screwdrivers
- Special Application Screwdrivers
- Direct Plug-in Electric Torque Drivers
- Power Supplies
- Manual Torque Screwdrivers
- Torque Testers
- Screw Presenters
- Tape Dispensers and Label Dispensers
- Torque Arms





## Durable Performance

Commanding pneumatic power and manual torque control, durability in tough working conditions.



## What is the Industrial Product Group?

The Industrial Product Group is comprised of a wide range of products specific to supply heavy industry end markets including tier automotive, appliance, fabrication, machinery, construction and electronics, to name a few.

## Featured in this product group:

- Air Motors
- ASG and Fiam Pneumatic Nutrunners and Screwdrivers
- Error-Proofing
- Manual and Digital Torque Control Wrenches



# Industrial Overview

- Fiam Pneumatic Precision Screwdrivers
  - Auto Shut-Off Drivers
  - Non Auto Shut-Off Drivers
  - Nutrunners
  - Pneumatic Pulse Drivers
- H Series Pneumatic Screwdrivers
- Fiam Error-Proofing System
- Fiam Air Motors
- Adjustable and Pre-Set Click Wrenches
- Digital Torque Wrenches



# ASG Precision Fastening



## Controlled Performance

Intuitive interface, proven reliability,  
excellent delivery, precision  
accuracy and quality control.



- Transducerized Assembly Systems
- DC Torque and Angle Assembly Tools
- Plant Floor Networking
- Process Control System



## Engineered Performance

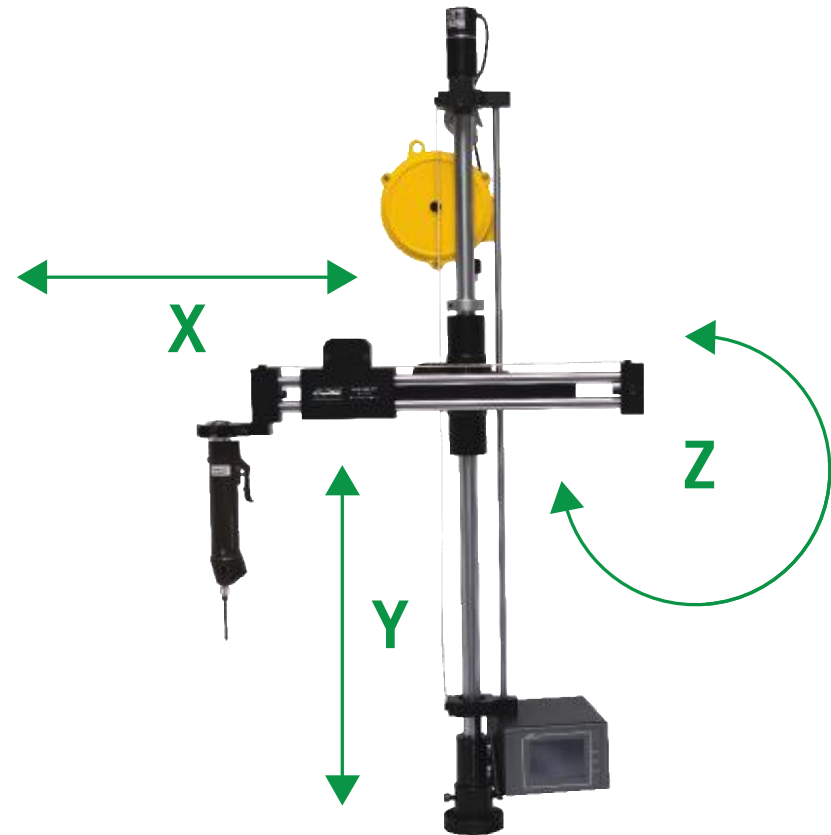
Custom engineered products for integration into assembly systems. Uniquely tailored solutions for complex applications.



- Auto Feed Systems
- Encoder Torque Arms
- Integrated Services
- Pneumatic and Electric Drivers and Nutrunners for Automation
- Robots and Assembly Stations
- Sequence Recognition Systems

# Linear Positioning Torque Arm

- 260 MM (10 1/4") horizontal stroke with X-Y and X-Y-Z position sensing available
- I/O for interfacing with control devices
- Two and three encoder models have a position accuracy of 0.2mm horizontally and/or vertically and 0.5° rotationally
- 32 programs available, selectable from the key pad or remotely through the I/O
- Standard "split block" tool holder for 25 to 50mm diameter tools. Optional special tool holders available
- Standard tool balancer provided. Optional balancers available



# Auto Feed Systems



- Forward Stroke models available for difficult access and “no surface touch” applications
- Telescopic Models available for standard applications
- Extremely reliable
- Available with ASG X-PAQ™ torque and angle drivers
- Available with clutch shut-off electric or air screwdrivers

# MCA Automatic Screw Feeder

- The MCA automatic screw feeder is one of three main components in a standard ASG Automation package along with the X-PAQ™ driver and a robot.
- Screw is automatically sent from the bowl to the screw holding device – screw is shot inside a closed chamber which optimizes screw speed
- Automatic and accurate positioning and tightening of the screw
- Single stroke fastening slide characterized by the only movement performed by the motor, ideal for manipulators, robots, and anthropomorphic arms
- High capacity vibrating bowl for improved working autonomy, coated with anti-wear material







**ASG, Division of Jergens, Inc.** | Jergens Way | 15700 S. Waterloo Road  
Cleveland, OH 44110 | 888-468-6163 | [www.asg-jergens.com](http://www.asg-jergens.com)