

ASSEMBLY INSTRUCTIONS

G56

REVISION F

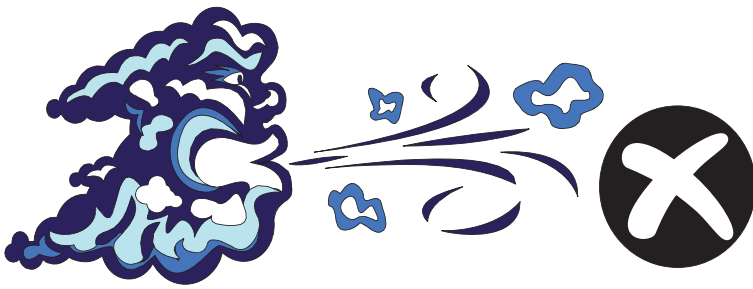


W1760mm x D2105mm x H2025mm

NOTES

BEFORE COMMENCING SHED ASSEMBLY, CHECK ALL PARTS. IF THERE IS A DISCREPANCY, PLEASE CALL YARSAVER (SEE REAR OF INSTRUCTION BOOK)

DO NOT ASSEMBLE IN WINDY CONDITIONS



READ INSTRUCTIONS FIRST

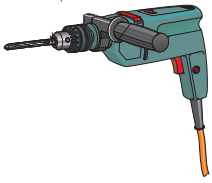


2 PERSON ASSEMBLY



THE MANUFACTURERS CANNOT BE HELD RESPONSIBLE FOR ANY CONSEQUENCES DUE TO SHEDS THAT ARE NOT INSTALLED PER INSTRUCTIONS OR FOR DAMAGE DUE TO WEATHER CONDITIONS, ACTS OF GOD OR FOR SHEDS THAT ARE LEFT PARTIALLY ASSEMBLED OVERNIGHT. PARTS MAY CONTAIN SHARP EDGES & CORNERS. CARE MUST BE TAKEN WHEN HANDLING VARIOUS PIECES TO AVOID A MISHAP, FOR SAFETY SAKE, PLEASE USE A PAIR OF WORK GLOVES, EYE PROTECTION & PROTECTIVE CLOTHING WHEN ASSEMBLING OR PERFORMING ANY MAINTENANCE ON THE BUILDING.

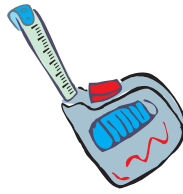
TOOLS REQUIRED



Electric Drill



Cordless Drill



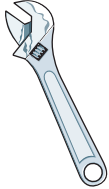
Measuring Tape



Screwdrivers



8mm Masonry Drill Bit



Shifting Spanner



Builders Pencil



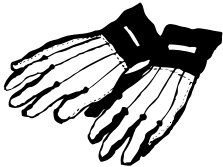
Tin Snips
(some models only)



Rubber Mallet



Sturdy Ladder
(two if possible)

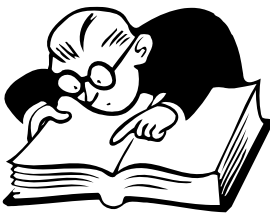


Gloves

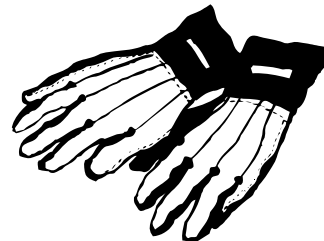
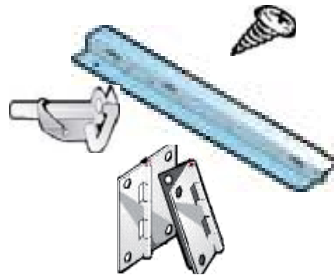


Protective Eyewear

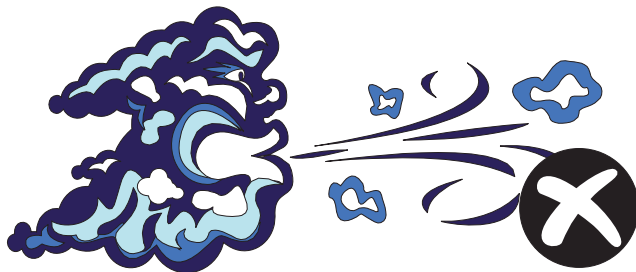
HANDY HINTS FOR CONSTRUCTION



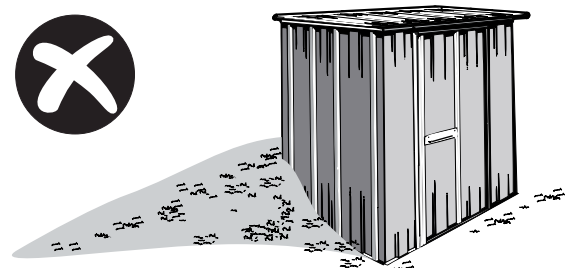
Read instructions and check parts carefully before assembling the shed.



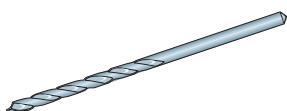
Please wear safety gloves and glasses at all times to protect against sharp metal edges.



Do not assemble in windy conditions as panels may be difficult to handle and damage may result.

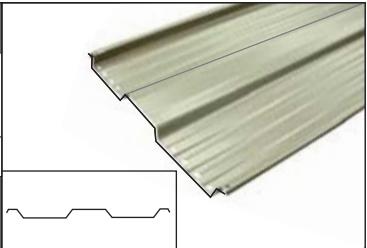
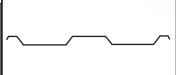
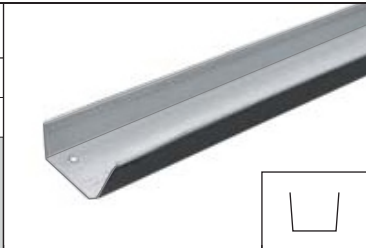

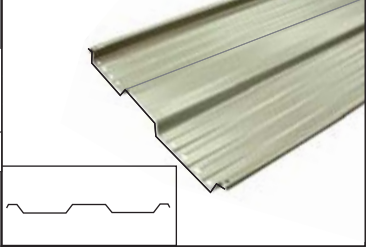
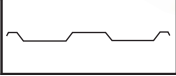


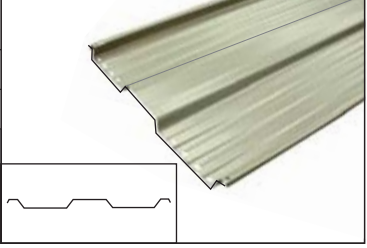
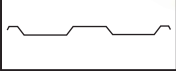
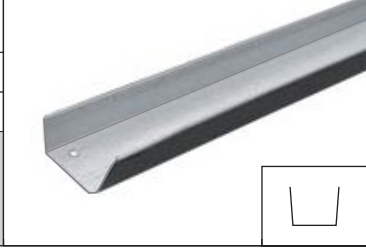
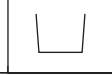
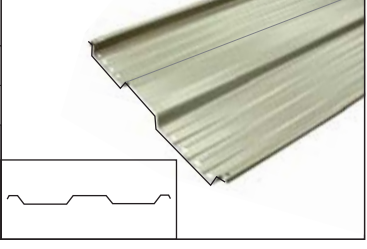
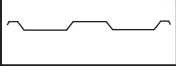
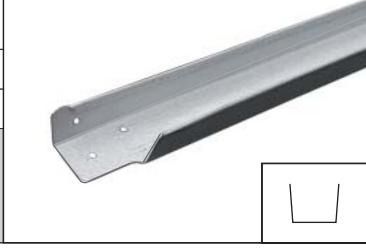
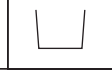
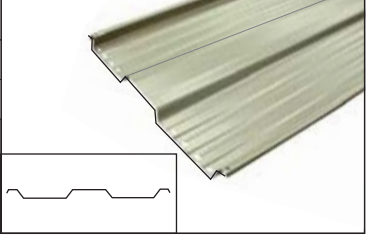
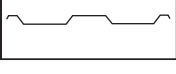
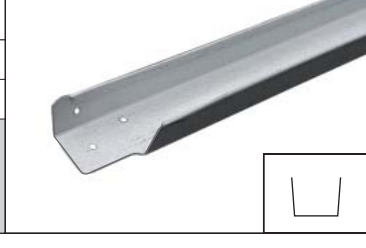
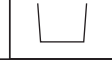
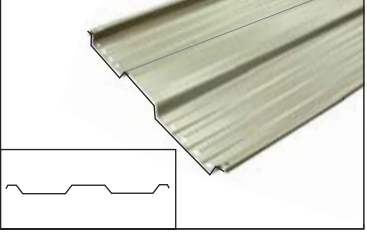
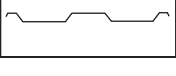
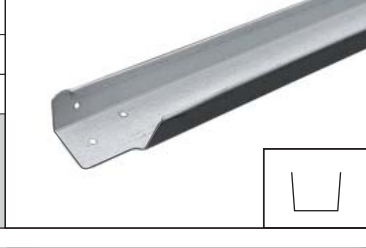

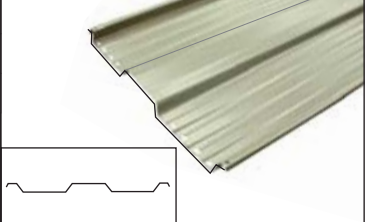
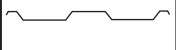




Do not back fill against the shed as this will result in corrosion. Allow drainage from the site.

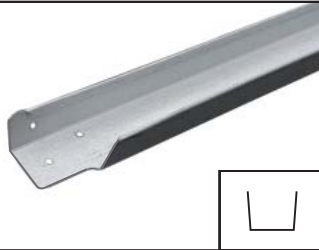


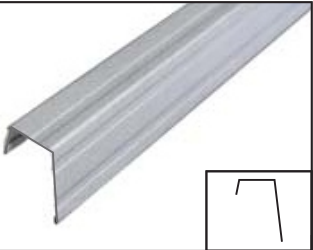
MOST PILOT HOLES ARE PRE-PUNCHED AND IN THIS CASE DRILLING HOLES IS NOT NECESSARY, HOWEVER SOME PILOT HOLES NEED TO BE DRILLED WITH THE INCLUDED 2.5MM DRILL BIT WHERE INDICATED

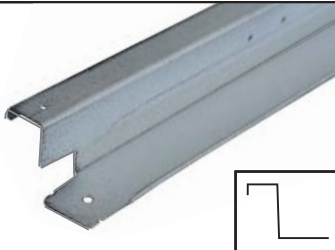
PARTS LIST

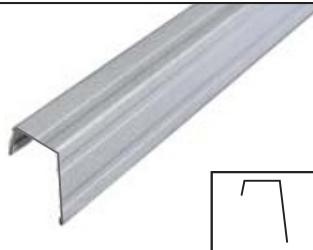
PRODUCT NUMBERS A1 A2 A3 A4 A5 A6 Quantity (total) 6 Description: Gable Wall Panel		 	PRODUCT ID H Length 1008mm Quantity 2 Description: Door Frame Top/Bottom	 
PRODUCT NUMBERS B1 B2 B3 B4 B5 B6 Quantity (total) 6 Description: Gable Wall Panel		 	PRODUCT ID I Length 1742mm Quantity 2 Description: Door Frame Side	 
PRODUCT ID C Length 1800mm Quantity 4 Description: Wall Panel	 	PRODUCT ID J Length 1706mm Quantity 2 Description: Door Boxing	 	
PRODUCT ID D Length 1800mm Quantity 3 Description: Wall Corner Panels	 	PRODUCT ID K Length 1280mm Quantity 2 Description: Door Bracing	 	
PRODUCT ID E Length 1103mm Quantity 10 Description: Roof Panels	 	PRODUCT ID M Length 1753mm Quantity 4 Description: Top/Bottom Front/Rear Channel	 	
PRODUCT ID F Length 1738mm Quantity 2 Description: Door Panel (Partially slit)	 	PRODUCT ID N Length 2099mm Quantity 2 Description: Side Channel Gable Bottom	 	
PRODUCT ID G Length 1738mm Quantity 1 Description: Door Panel Centre	 	PRODUCT ID O Length 1060mm Quantity 2 Description: Side Channel Gable Top	 	

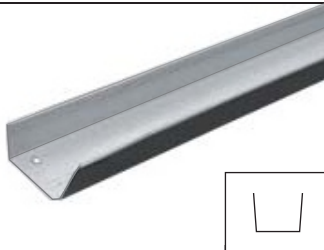
PARTS LIST


PRODUCT ID	P	
Length	1064mm	
Quantity	2	
Description: Side Channel Gable Top		


PRODUCT ID	W	
Length	1095mm	
Quantity	2	
Description: Roof Angle Trim		


PRODUCT ID	Q	
Length	1800mm	
Quantity	2	
Description: Door Jamb		

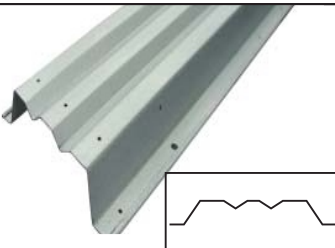
PRODUCT ID	W	
Length	1092mm	
Quantity	2	
Description: Roof Angle Trim		


PRODUCT ID	R	
Length	1021mm	
Quantity	1	
Description: Bottom Door Spacer		

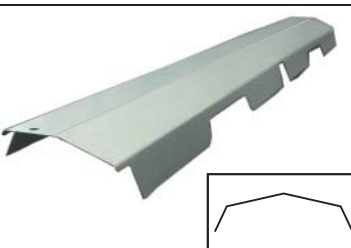
Quantity	400	
Description: Self Tapping Screws - Silver		


PRODUCT ID	S	
Length	1021mm	
Quantity	1	
Description: Top Door Spacer		

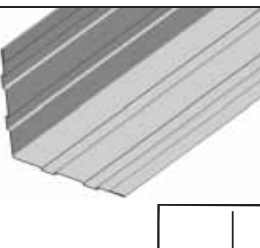
Quantity	1	
Description: 2.5mm Drill Bit		


PRODUCT ID	T	
Length	1710mm	
Quantity	2	
Description: Ridge Beam		

Quantity	2	
Description: Hinges (offset)		

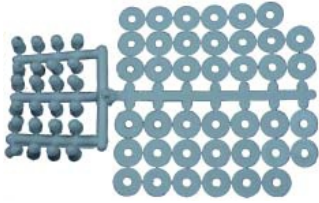
PRODUCT ID	U	
Length	708mm	
Quantity	3	
Description: Ridge Cap		


Quantity	1	
Description: Padbolt		

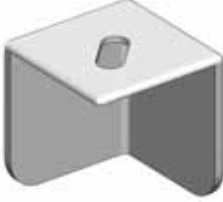
PRODUCT ID	V	
Length (spliced)	1750mm	
Quantity	2	
Description: Gutter Trim		

Quantity	1	
Description: Keeper		

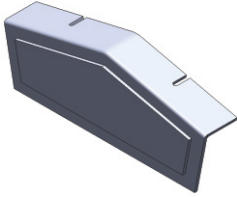
PARTS LIST


Quantity	2	
Description: Plastic Washer and Screw Cap Sheet		

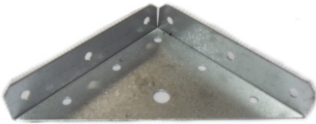
Quantity	8	
Description: Nut & Bolt 3/16"		


Quantity	4	
Description: Plastic Corner Cap		


Quantity	2	
Description: Ridge Beam Bracket		


Quantity	2	
Description: Plastic Ridge End Cap		


Quantity	8	
Description: Masonry Anchor		

Quantity	4	
Description: Corner Bracket		

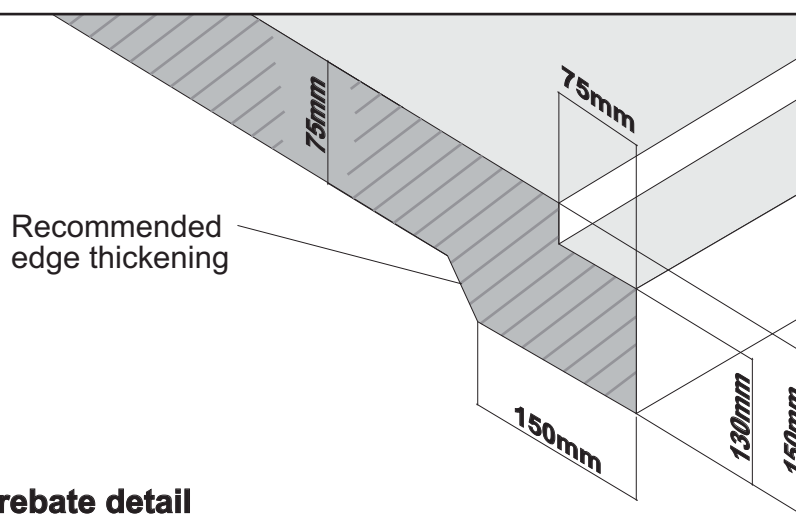
Quantity	1	
Description: Door Plate		

Quantity	4	
Description: 55mm Bracket		

Quantity	2	
Description: Clip Nut		

Quantity	1	
Description: Phillips Head Bit		

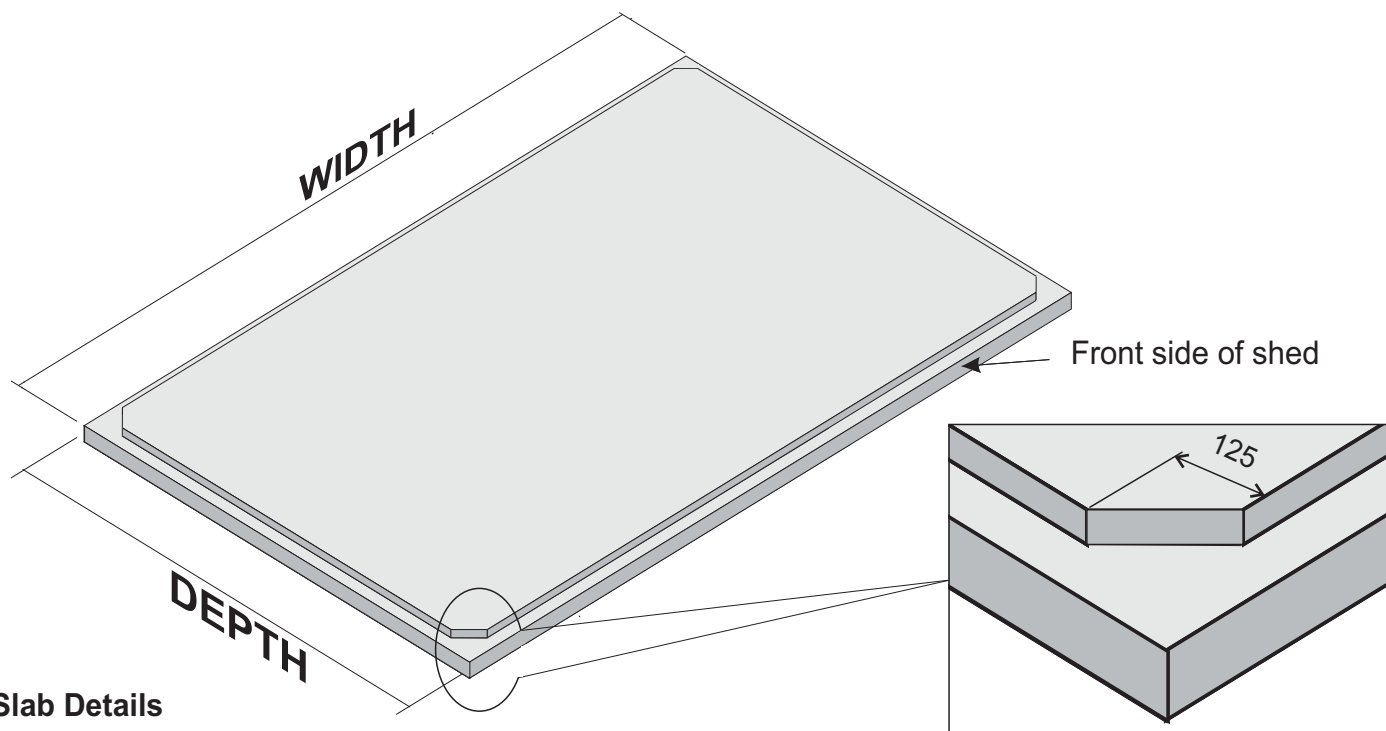
FOUNDATION



Recommended slab rebate detail

Although *not required*, it is strongly recommended that, to avoid water leakage around the base of your shed, a rebate be cast into the slab. This will allow the shed to sit below the slab level and prevent water from reaching the upper level of the slab.

If you planning a rebated slab make sure to cut the 4 corners at $125 \times 45^\circ$ as shown in detail below.



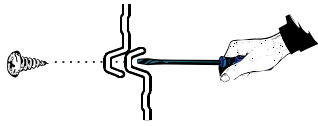
Slab Details

Your garden shed must be erected on a solid, level and square foundation. We strongly recommend you pour a concrete slab 75mm thick, reinforced with SL62 mesh (minimum) using dimensions from the table below.

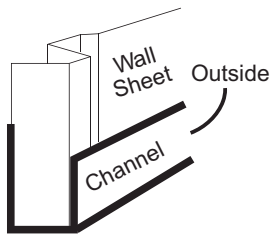
Masonry anchors are supplied

SHED CODE	OUTER SLAB SIZE width x depth	ANCHORS M8 x 40mm
56	1860mm x 2205mm	8

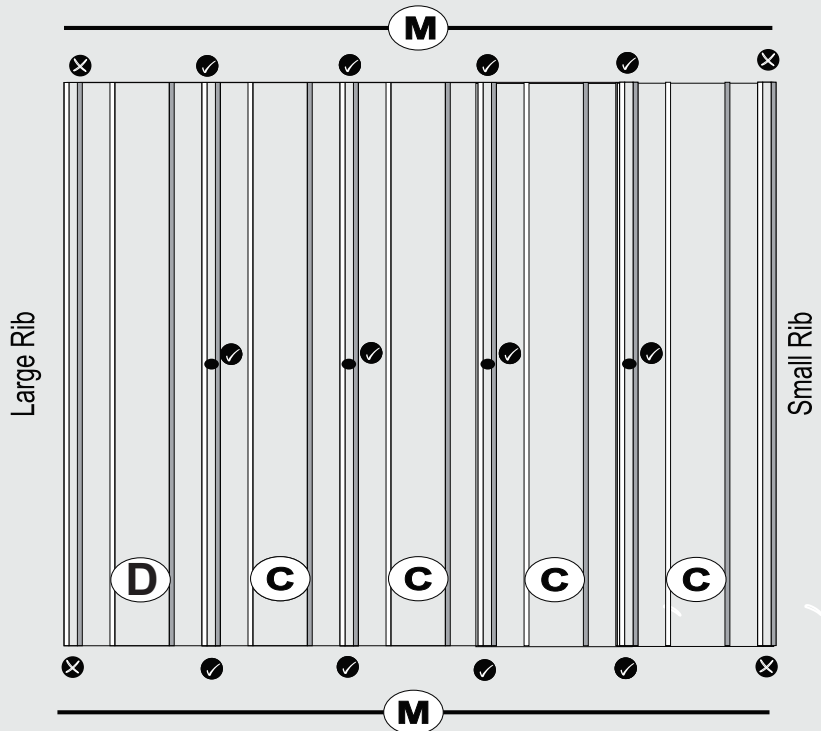
REAR WALL PANEL



If you are having trouble screwing the channel to the sheets, chock behind the hole .

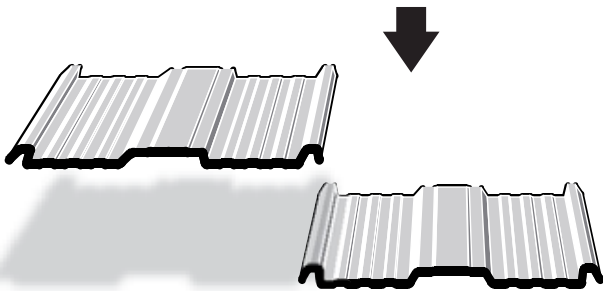


Ensure that the small lip of the channel is to the outside of the shed.

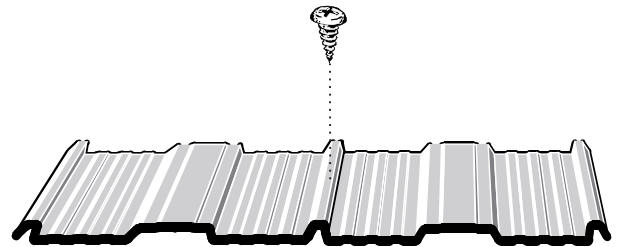


Fit the top and bottom channel to the wall panels. Ensure the channel is flush with the edge of the sheets. Do not screw the ends of the channel to the sheets at this point.

1



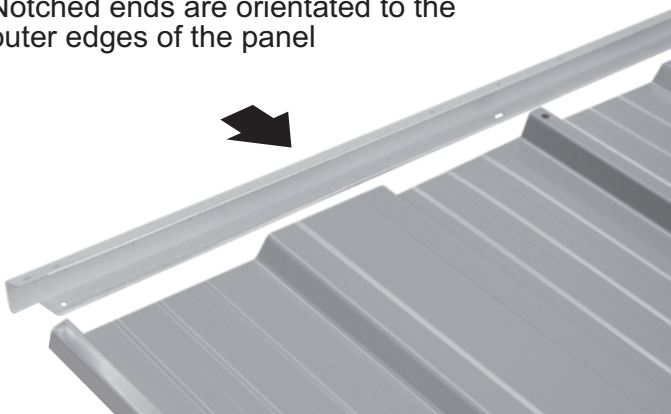
Lay the wall panels out with the large rib overlapping the small.



Screw the wall panels in the centre of the rib as shown.

2

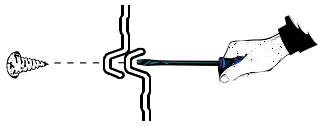
Notched ends are orientated to the outer edges of the panel



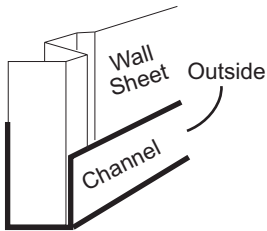
Do not screw here yet



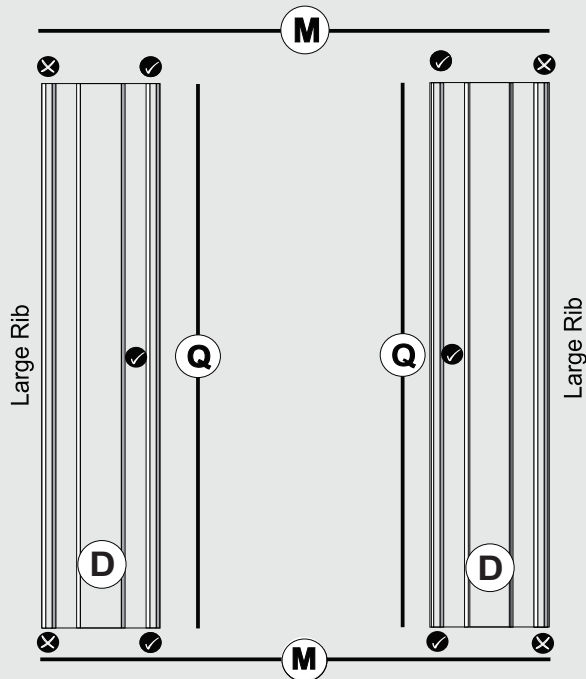
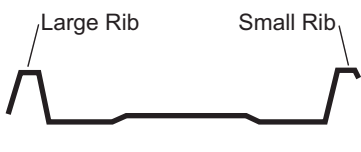
FRONT WALL PANEL



If you are having trouble screwing the channel to the sheets, chock behind the hole .



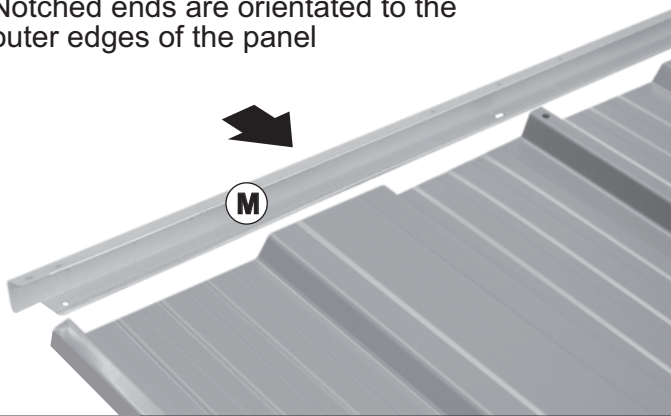
Ensure that the small lip of the channel is to the outside of the shed.



Fit the top and bottom channel and door jambs to the wall panels. Ensure the large rib on the sheets is to the left on the left side of the door and to the right on the right side of the door. Also ensure the channel is flush with the edge of the sheets. Do not screw the ends of the channel to the sheets at this point

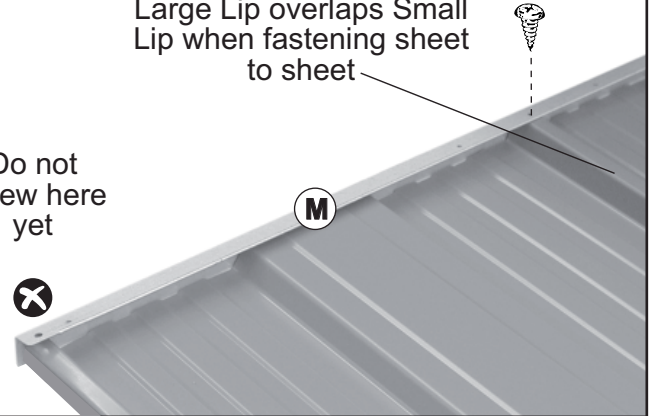
1

Notched ends are orientated to the outer edges of the panel



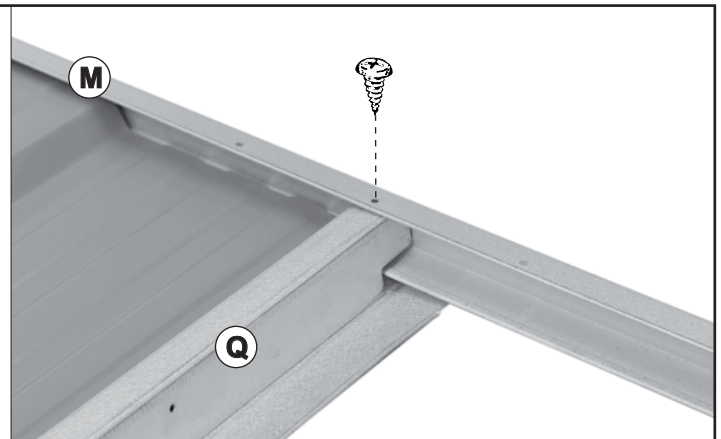
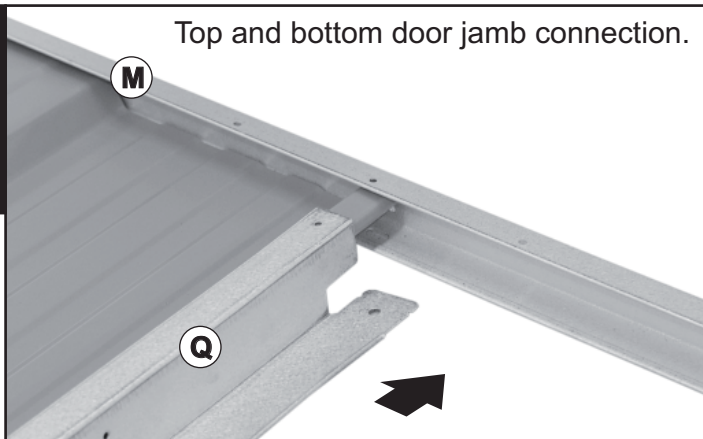
Large Lip overlaps Small Lip when fastening sheet to sheet

Do not screw here yet

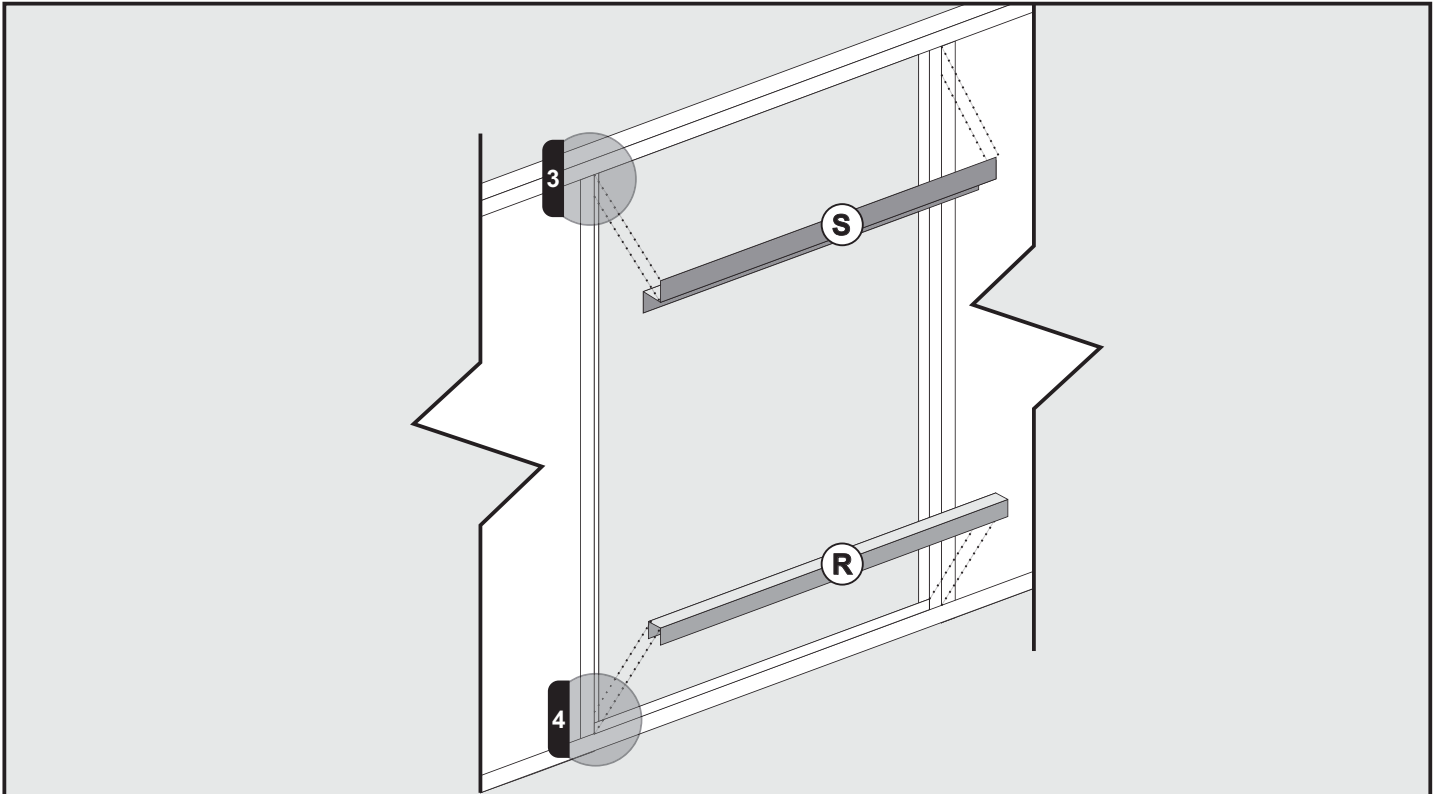


2

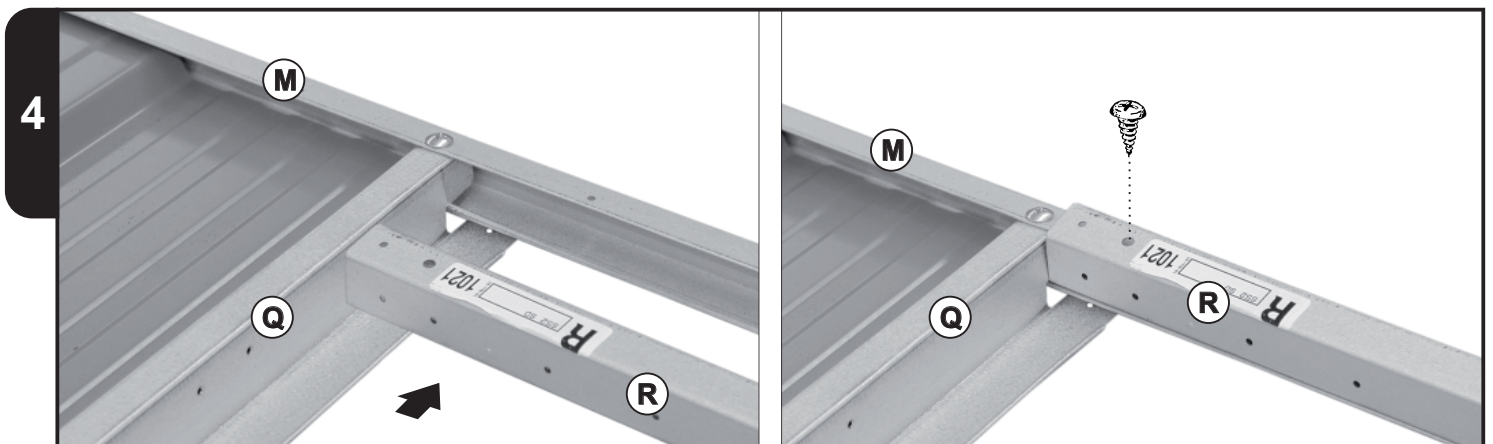
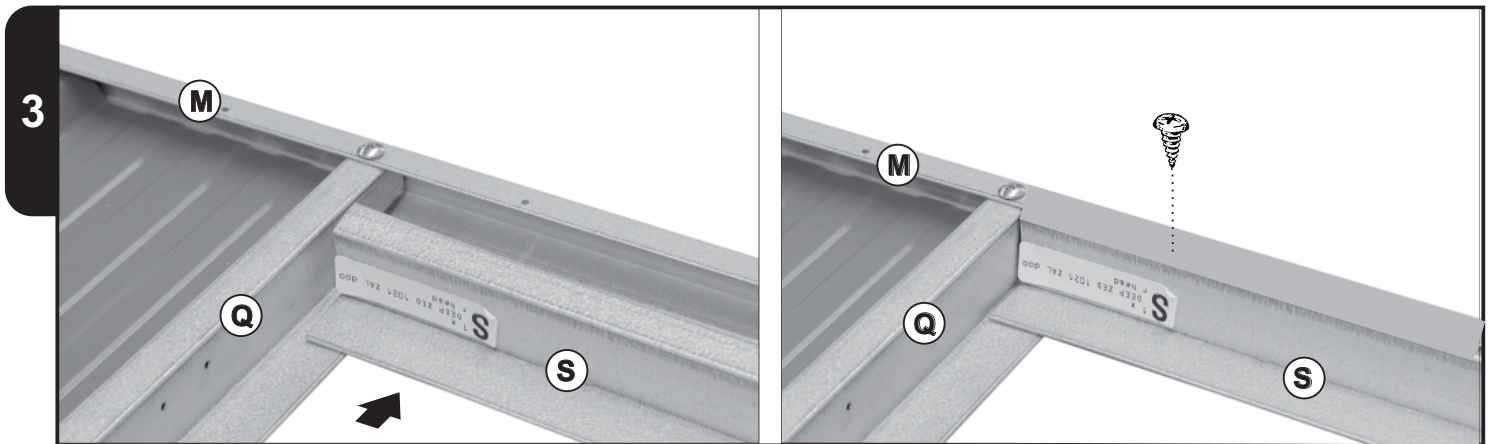
Top and bottom door jamb connection.



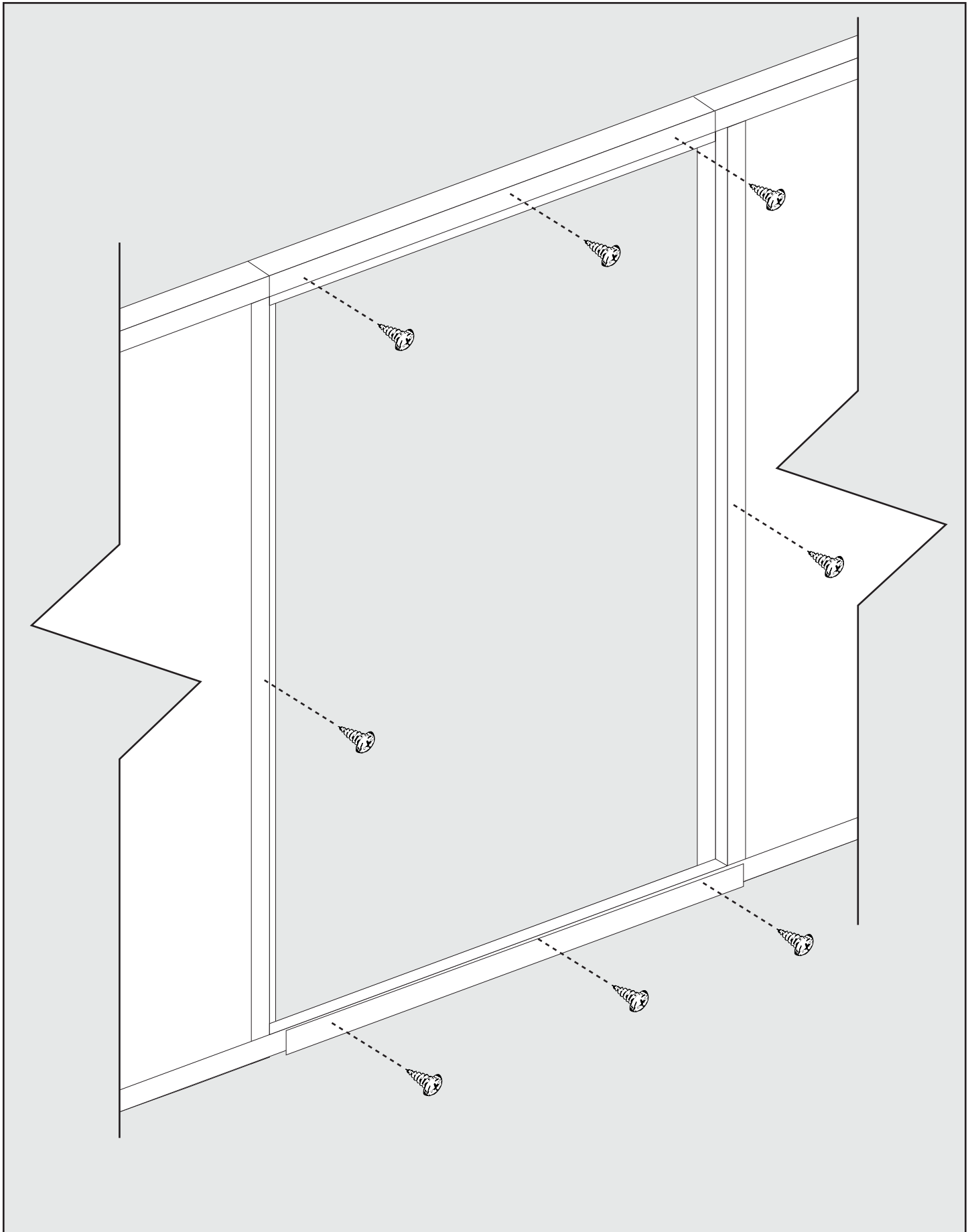
FRONT WALL PANEL



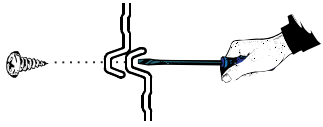
Fit the top door spacer and the bottom door spacer to the front wall panel as shown. Some pilot holes may need to be drilled with the included 2.5mm drill bit



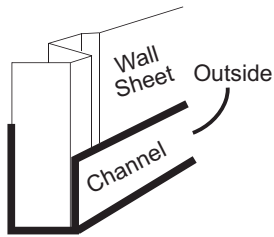
FRONT WALL PANEL



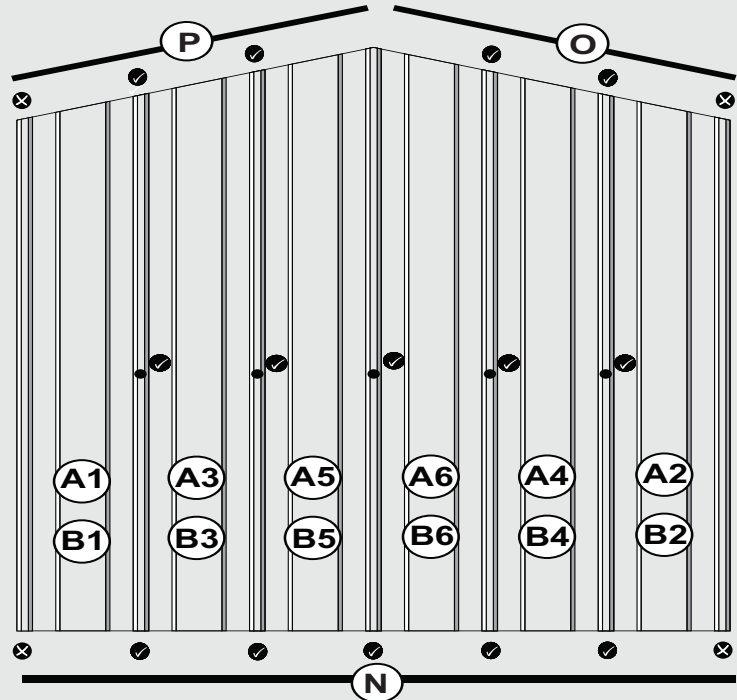
GABLE WALL PANELS



If you are having trouble screwing the channel to the sheets, chock behind the hole .



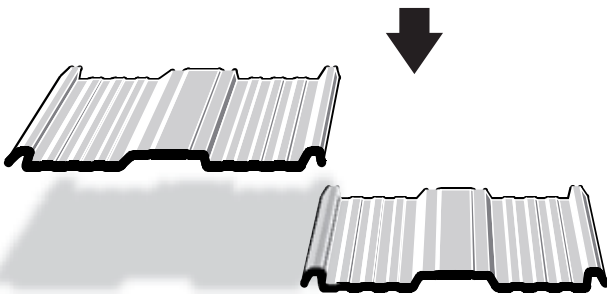
Ensure that the small lip of the channel is to the outside of the shed.



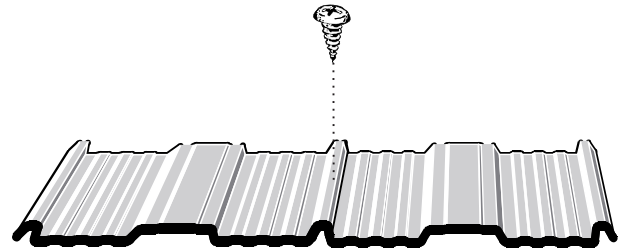
(A) Left Gable Panel Labels, (B) Right Gable Panel Labels

Overlap bottom channel by 130mm. Fit the top and bottom channel to the wall panels. Ensure the channel is flush with the edge of the sheets. Do not screw the ends of the channel to the sheets at this point.

1



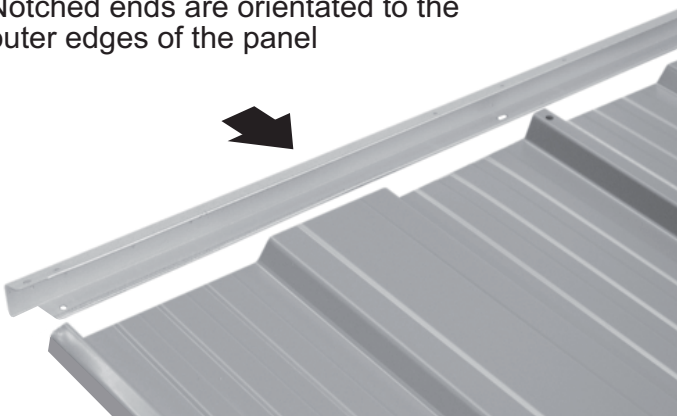
Lay the wall panels out with the large rib overlapping the small.



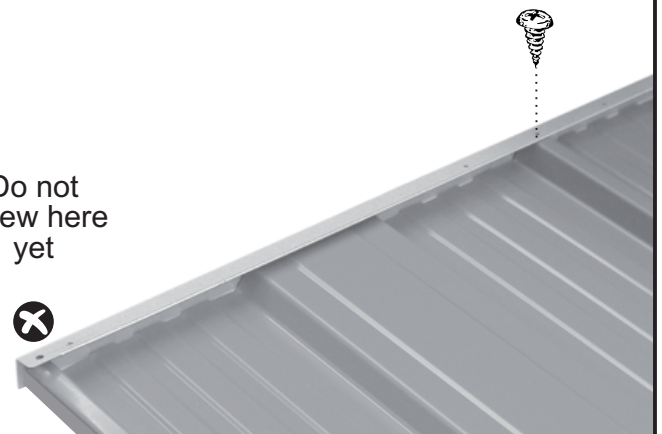
Screw the wall panels in the centre of the rib as shown.

2

Notched ends are orientated to the outer edges of the panel

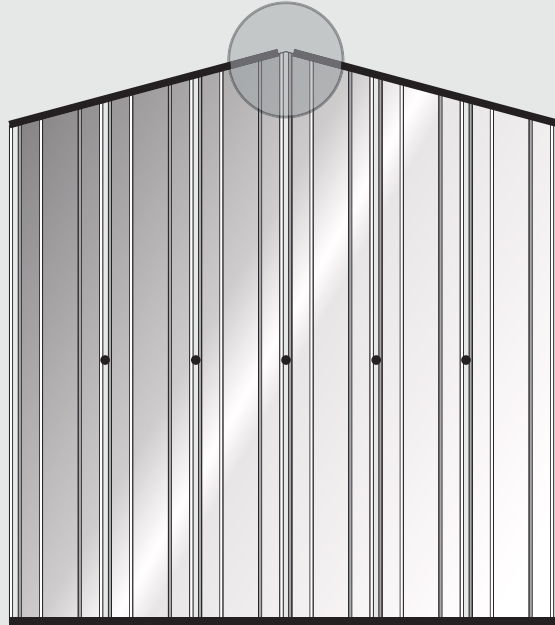


Do not screw here yet



FIT RIDGE BEAM BRACKETS

NOTE: The diagram below shows a 66 gable wall. The assembly process is the same for all gable sizes.



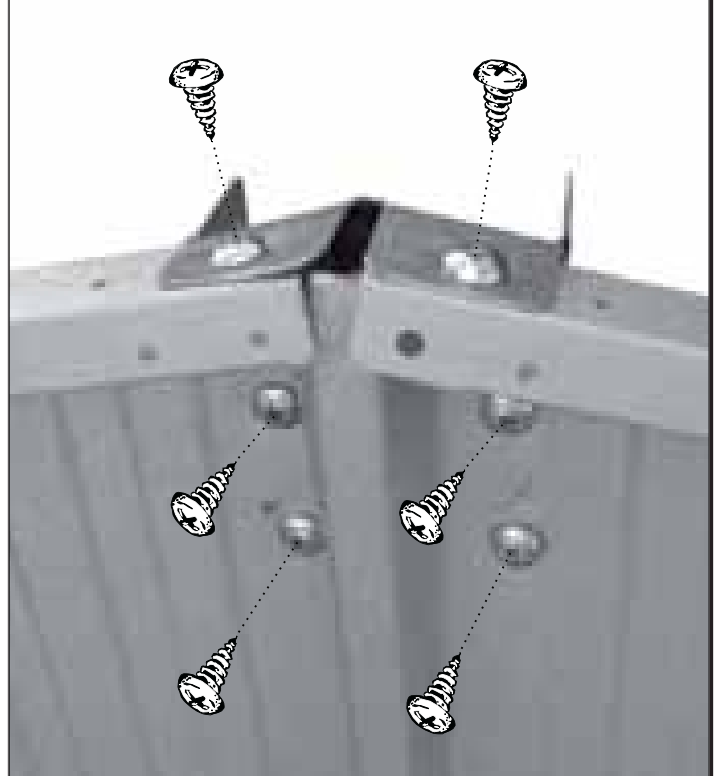
Fix the ridge beam brackets to the top of the gables using six (6) screws as shown below.

1

Pre Drill holes from inside the gable wall,
Then fix from outside with 4 screws.

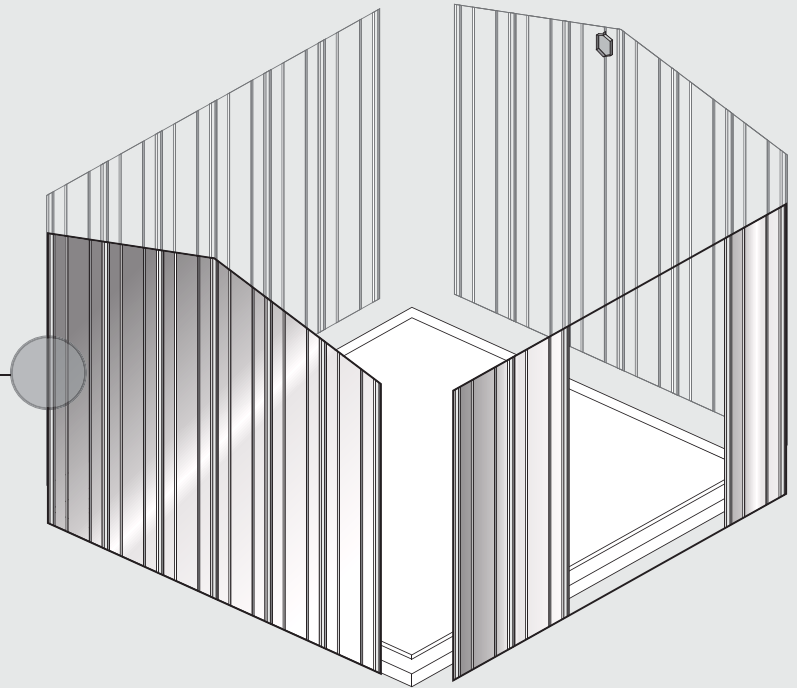
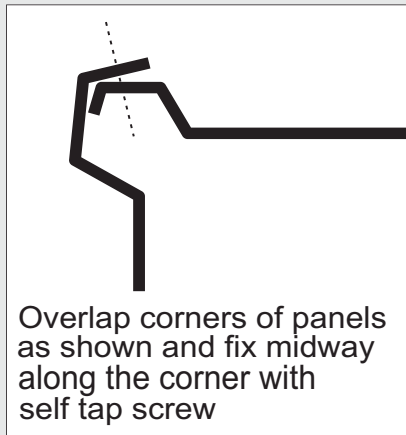


Secure brackets with six (6) screws as
shown on both gable walls.

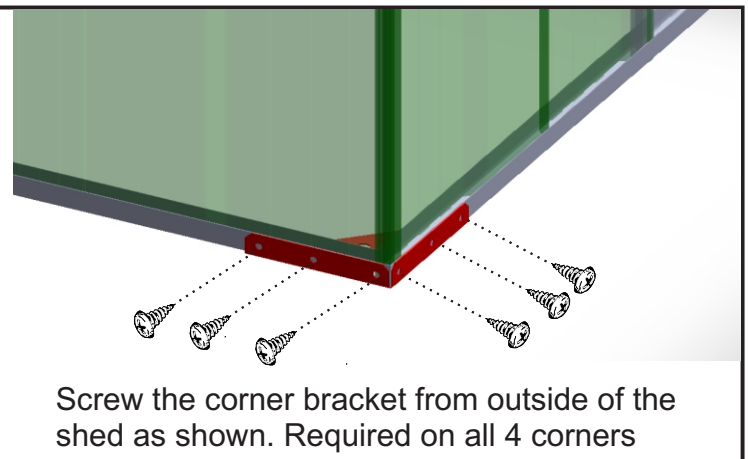
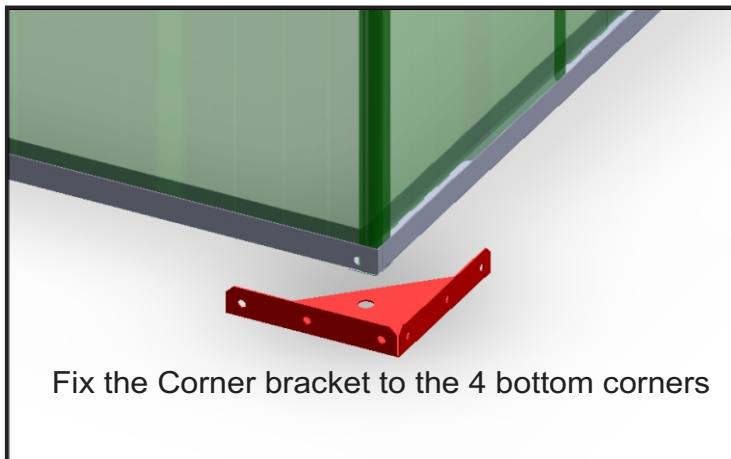


STAND AND JOIN WALL PANELS

NOTE: The diagram below shows a 66 gable roof shed. The assembly process is the same for all gable roof sizes.

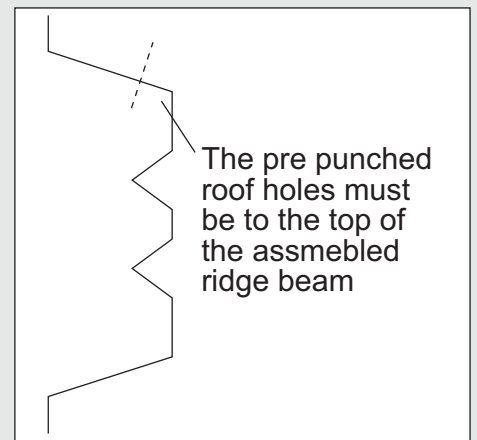
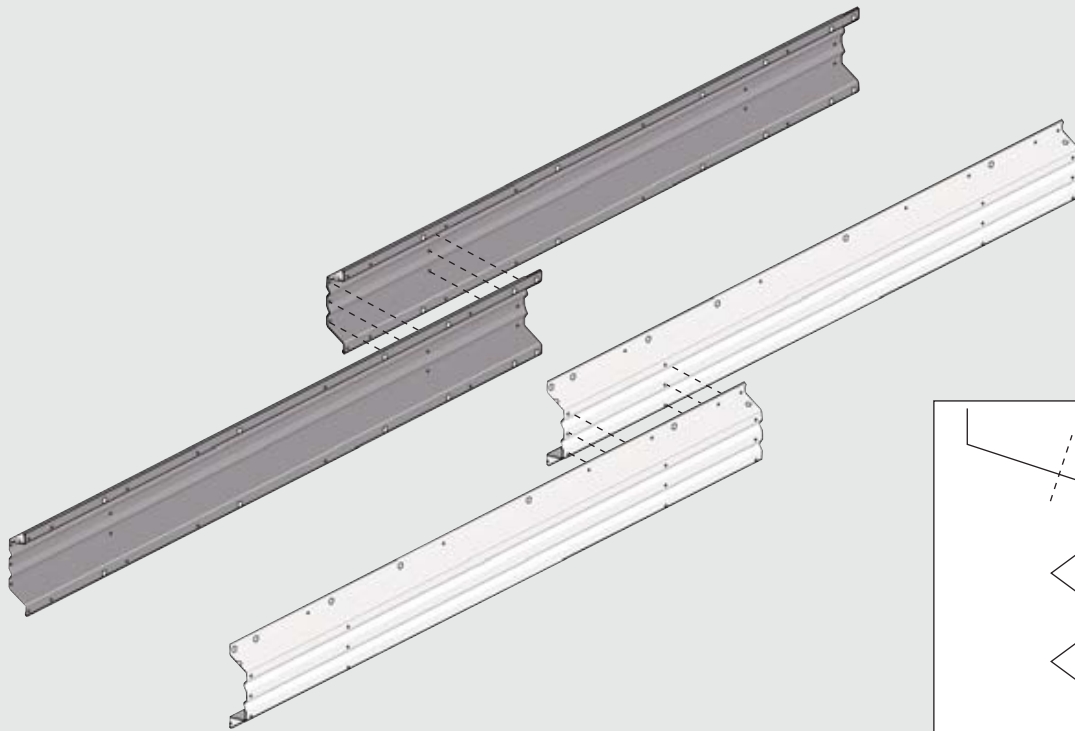


Once the four wall panels are assembled, they can now be stood and fixed together. Fix using the corner brackets and screws as shown below. Fix the front panel last. N.B when assembling large wall models, eg. 7 panels width and above, extra care should be taken, with person two providing adequate support to stop the wall from distorting.



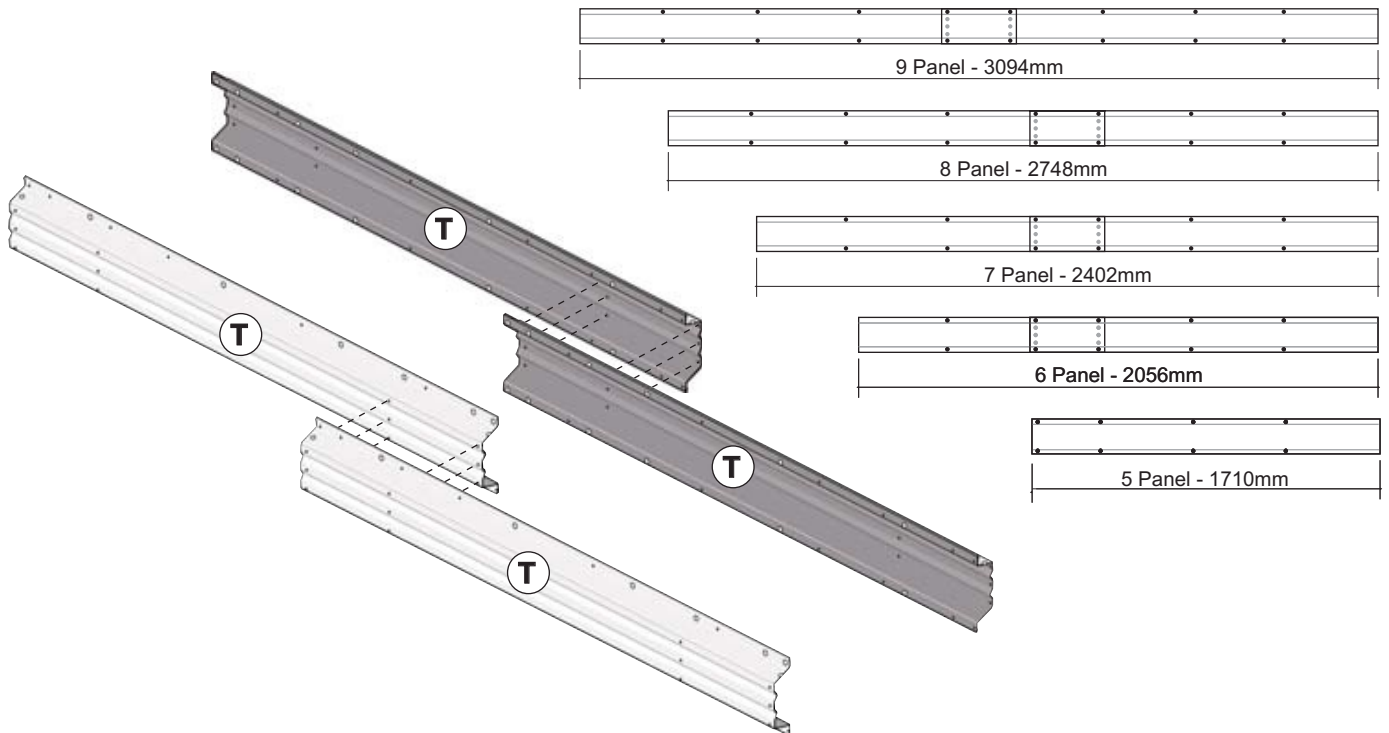
ASSEMBLE AND FIT RIDGE BEAM

NOTE: The diagram below shows a 66 gable roof shed. The assembly process is the same for all gable roof sizes.



Assemble the ridge beam on the ground as shown below.

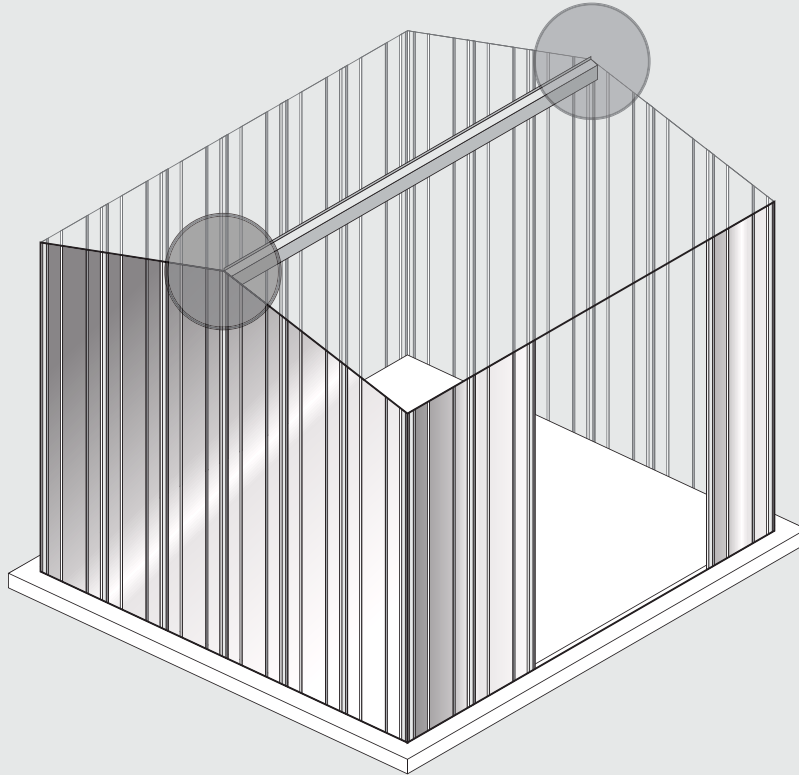
1



Overlap the two sides of the ridge beam securing them with six (6) screws per side. Ensure the pre-drilled roof panel holes are to the top. Screw the two sides together using the diagram top right as a guide. **Note:** The two halves of the ridge beam should be fixed at 346mm intervals.

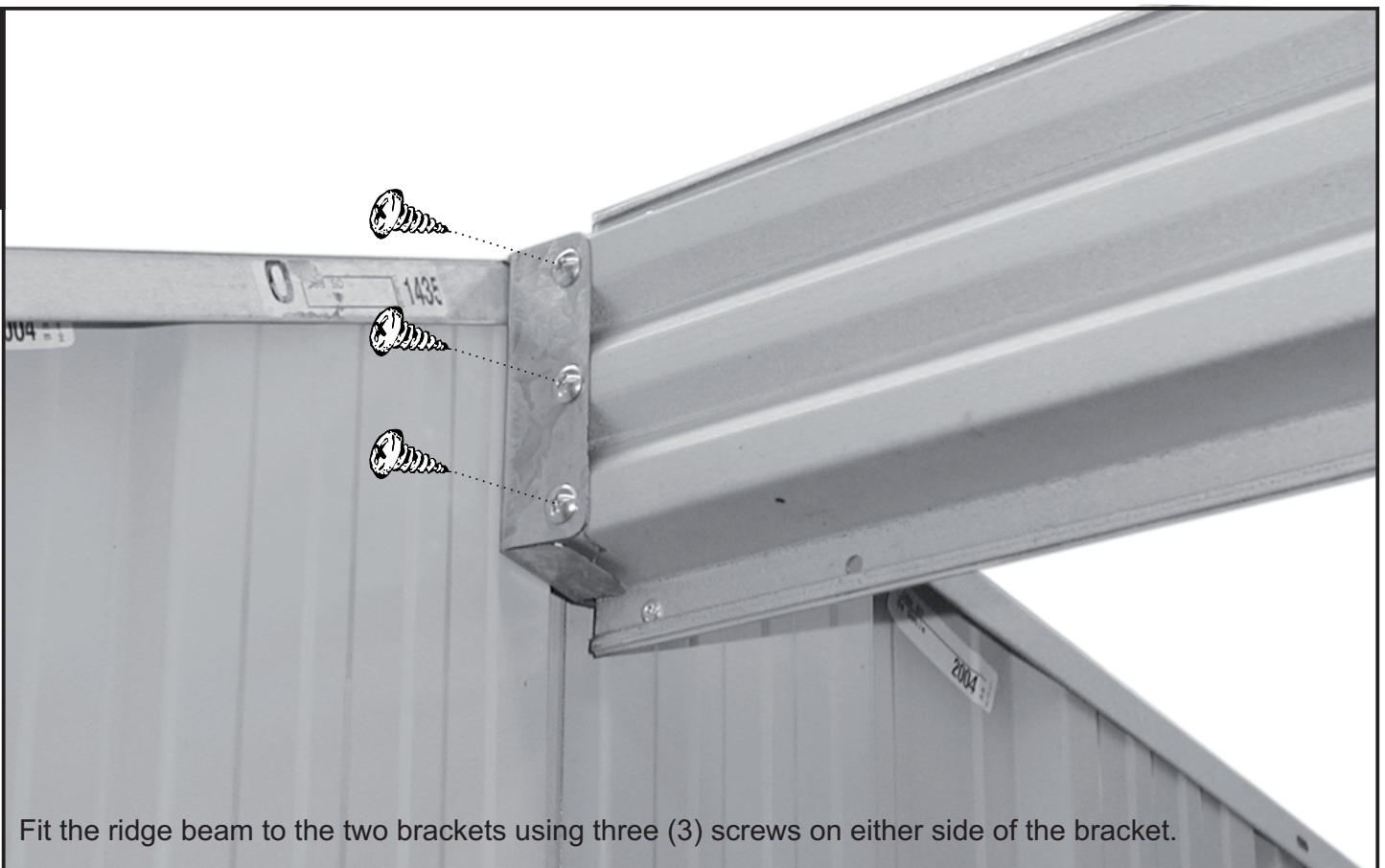
ASSEMBLE AND FIT RIDGE BEAM

NOTE: The diagram below shows a 66 gable roof shed. The assembly process is the same for all gable roof sizes.



Fit the ridge beam to the two brackets as shown below.

2

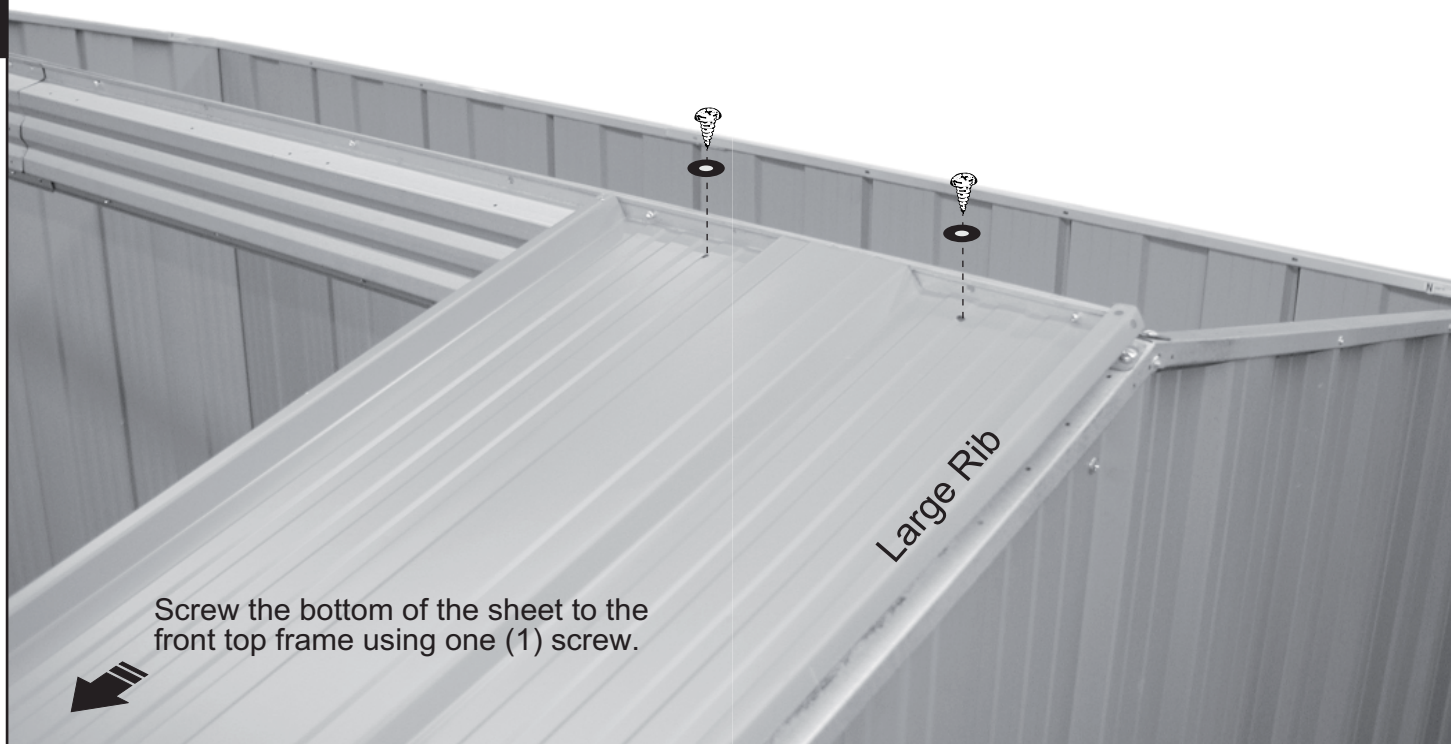


Fit the ridge beam to the two brackets using three (3) screws on either side of the bracket.

FIT ROOF AND TRIMS

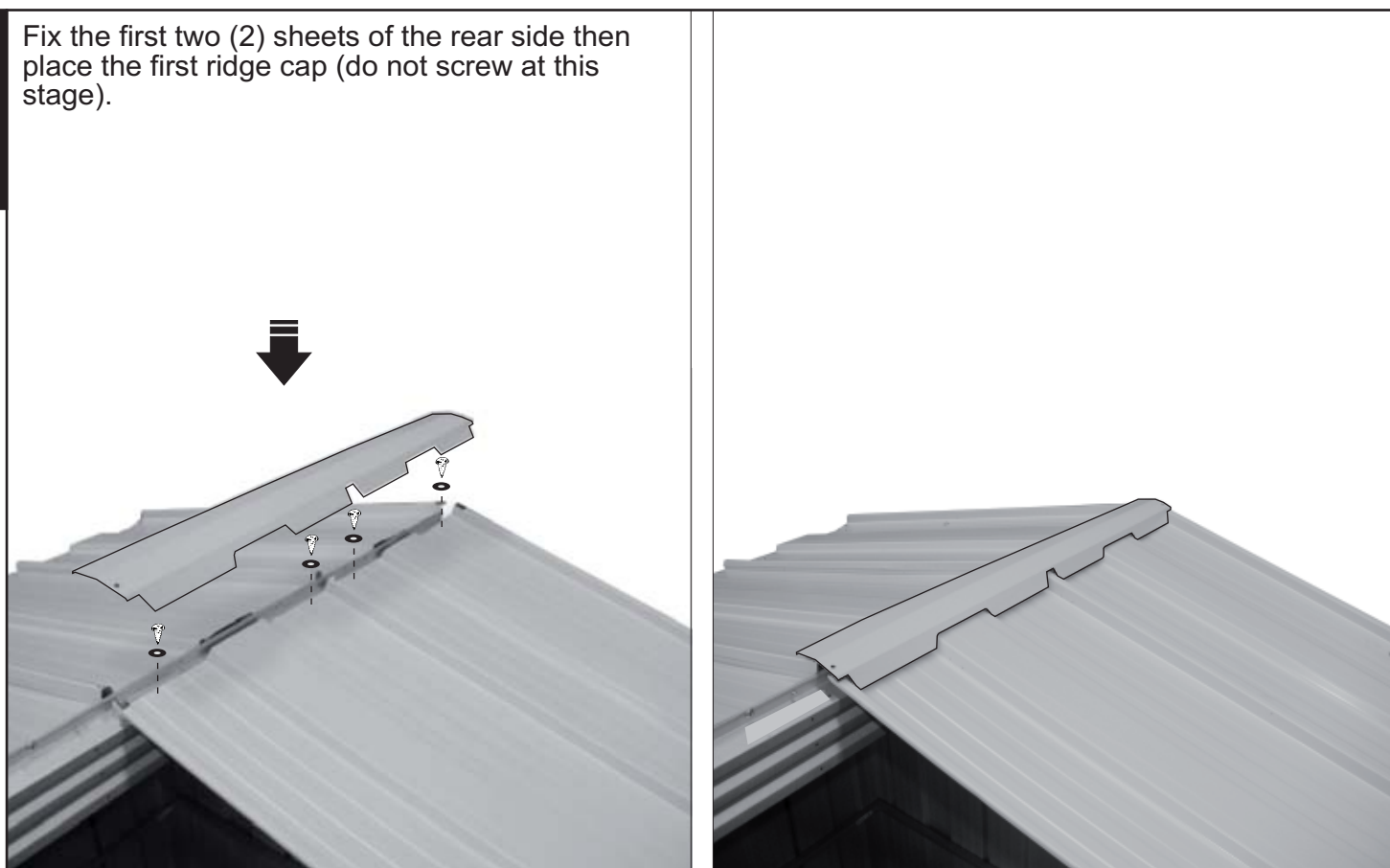
1

Screw the door side of the roof on first (do not start the rear side yet). Work from right to left ensuring the large rib is over the small rib. (If you are installing a skylight, please refer to the instructions at the end of this booklet)



2

Fix the first two (2) sheets of the rear side then place the first ridge cap (do not screw at this stage).



FIT ROOF AND TRIMS

3

Fix the next two (2) sheets then fit the second ridge cap. Fix this as shown to the right.



Finish the roof in the same manner.



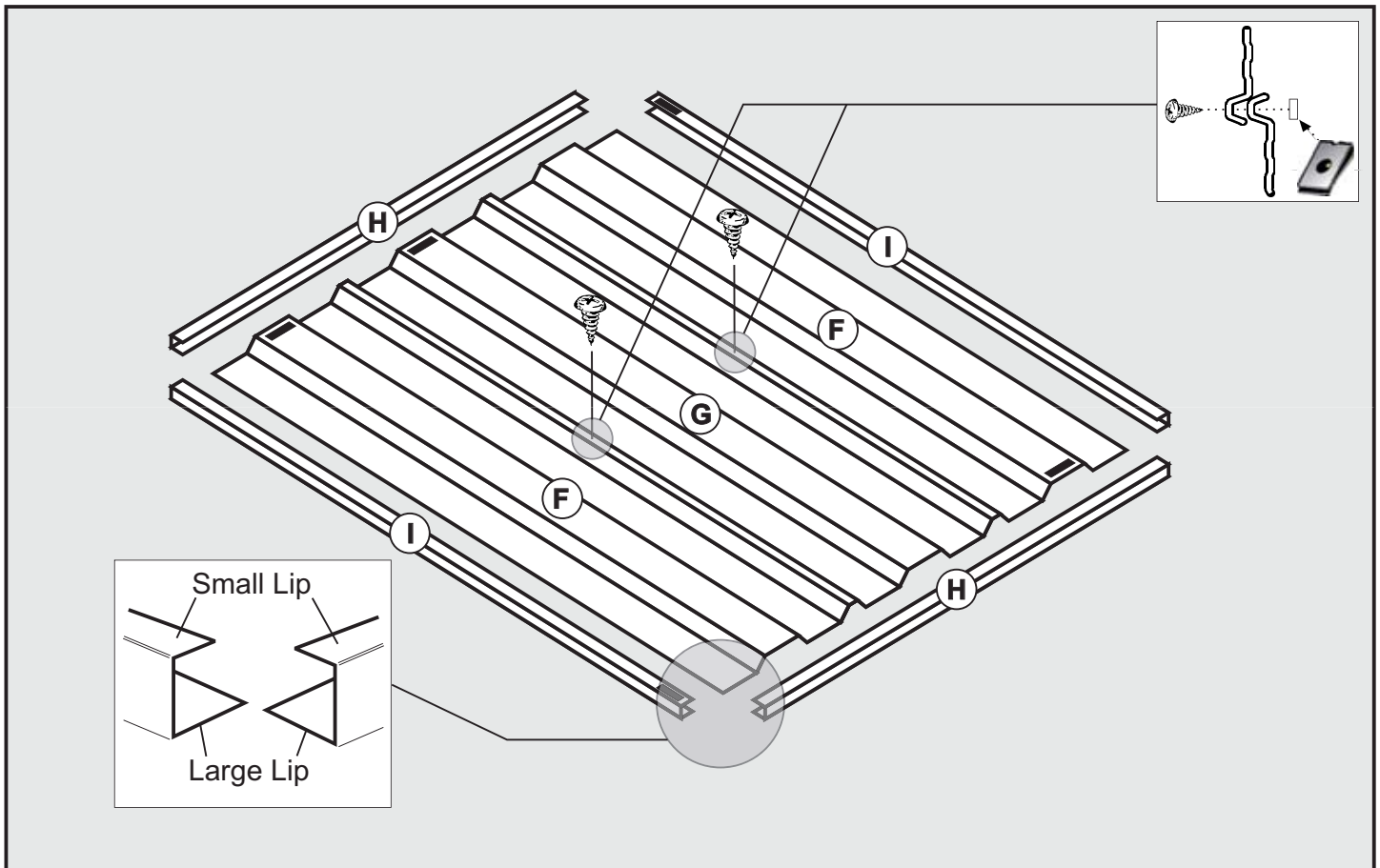
4



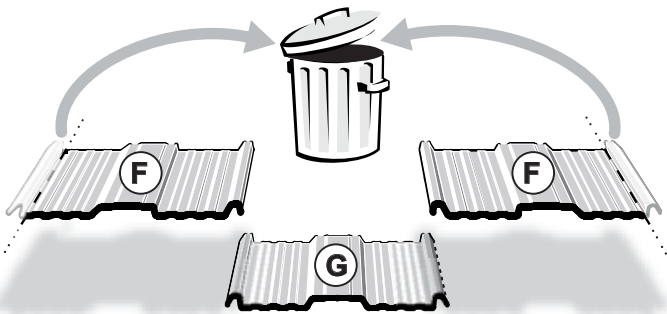
Push Roof trim into one end first and then manipulate the roof trim to fit the other



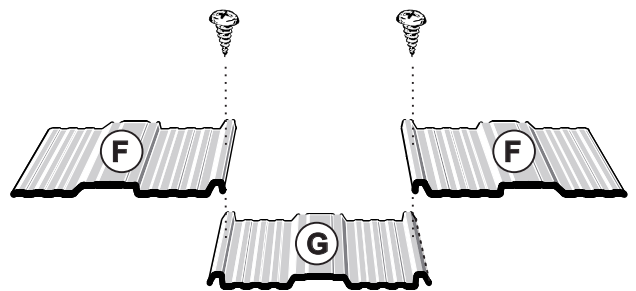
ASSEMBLE DOOR



1



Two of the door sheets come with one rib partially slit. Break them off and discard them.



Screw the sheets in the centre.

2

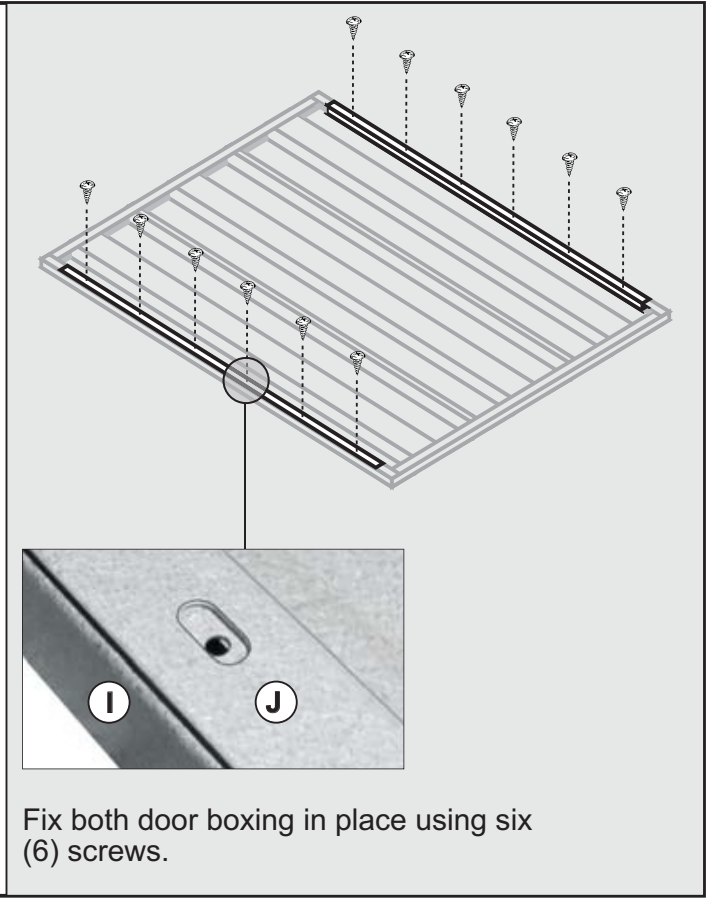
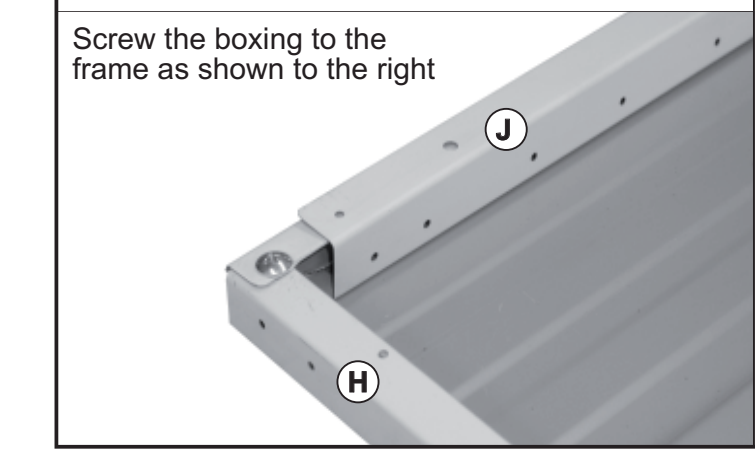
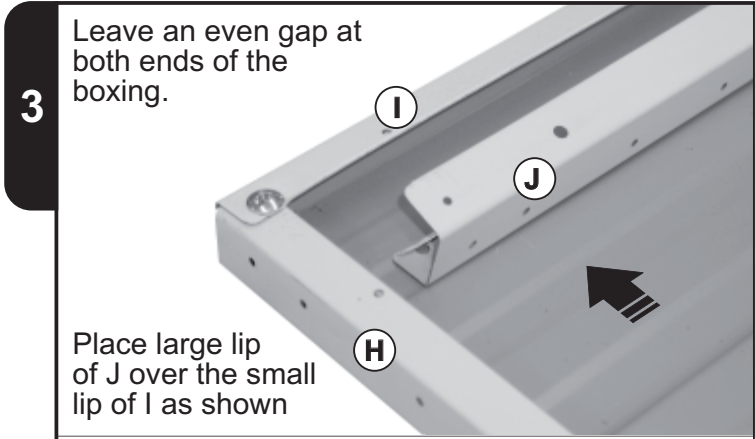
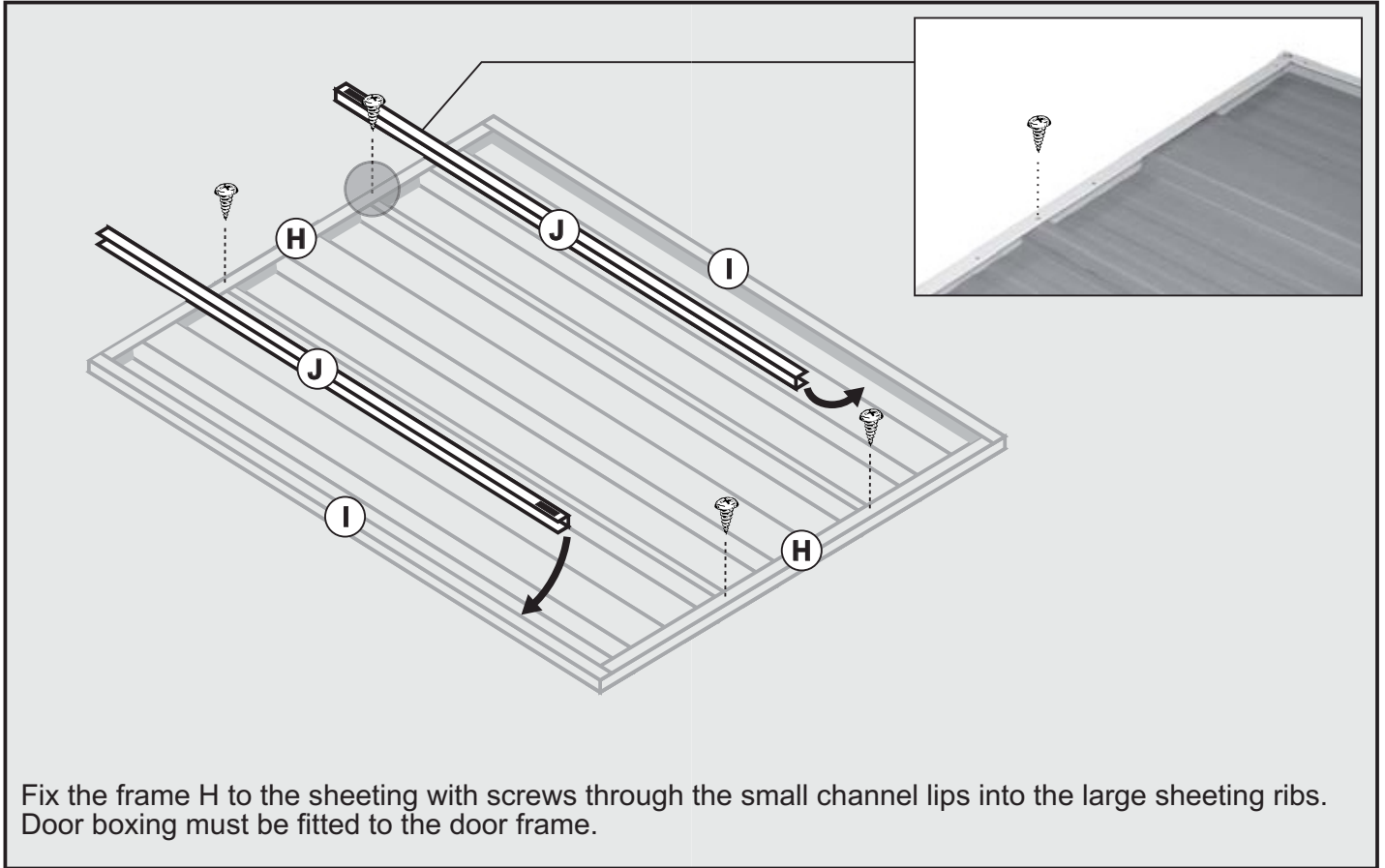
Frames slide under the sheet as shown. Ensure the small lip of the frame is to the top.



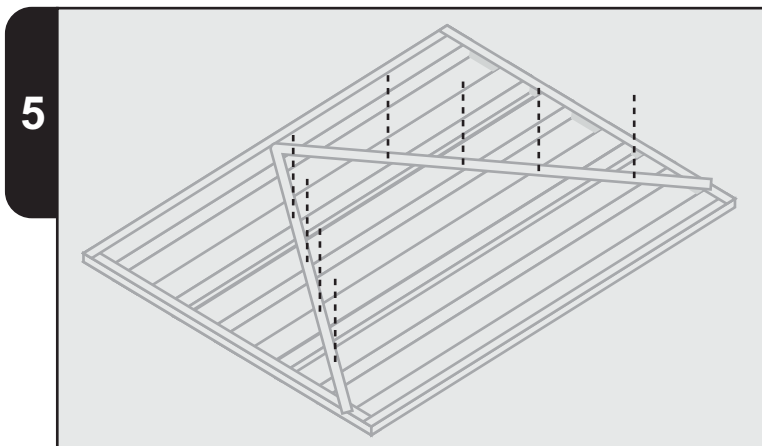
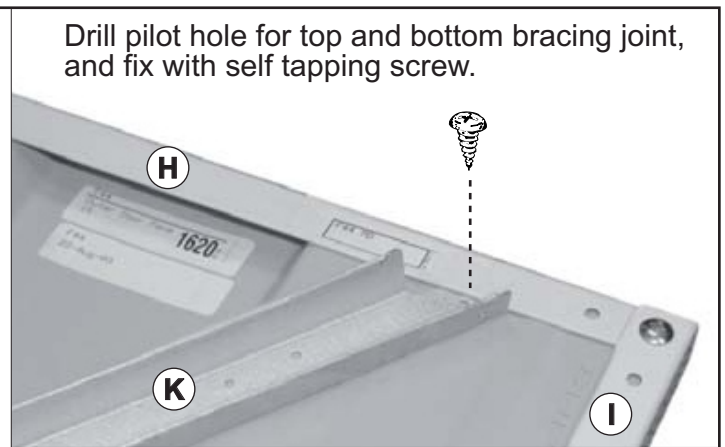
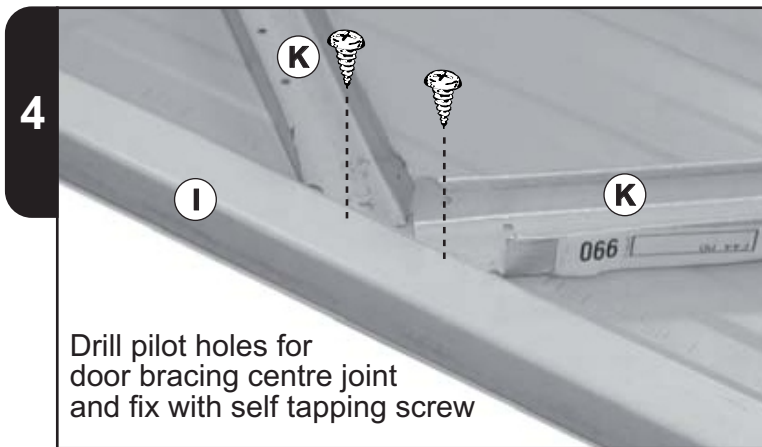
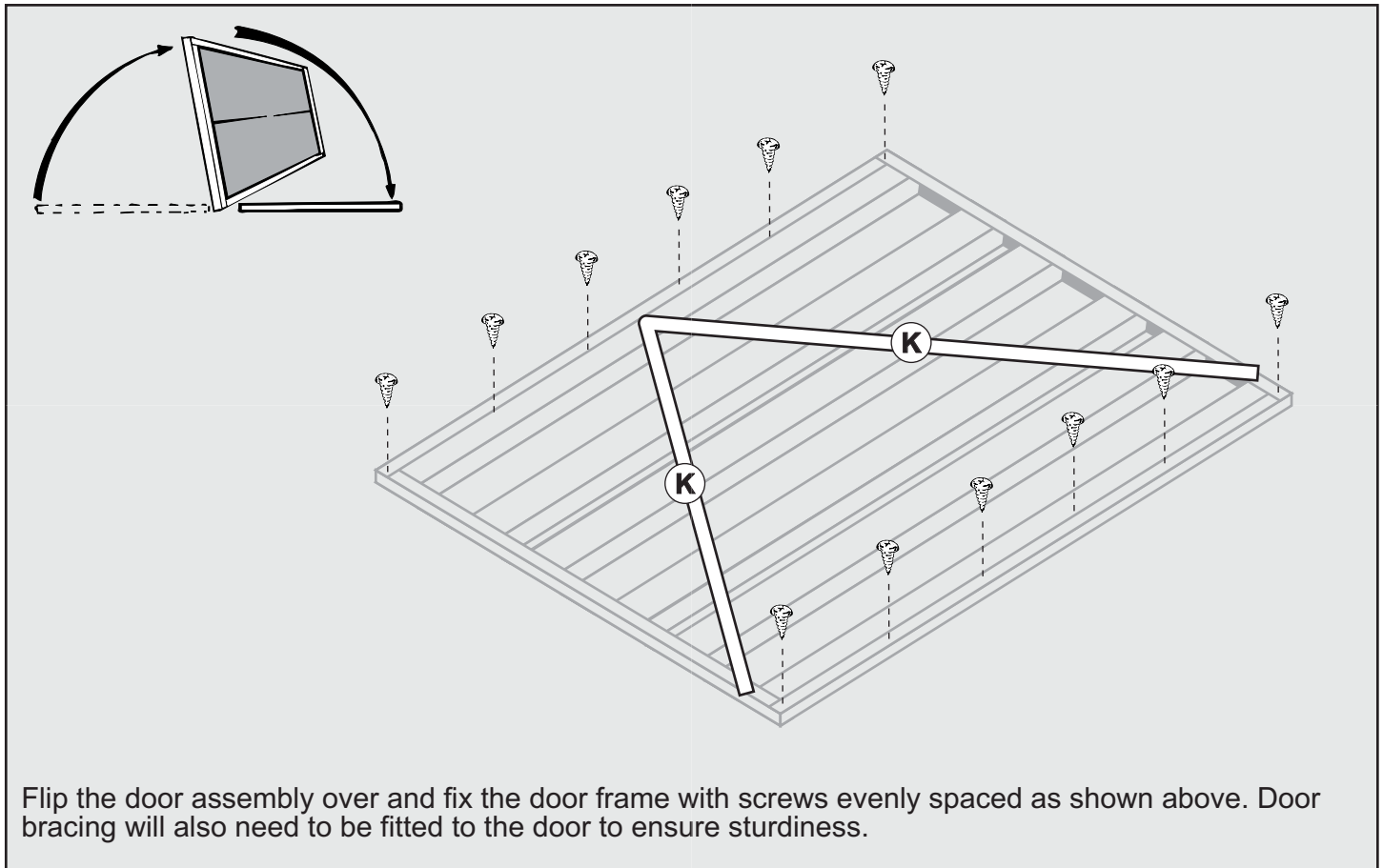
Fix door frames with a screw in each corner. Ensure that the big hole sits over the small.



ASSEMBLE DOOR



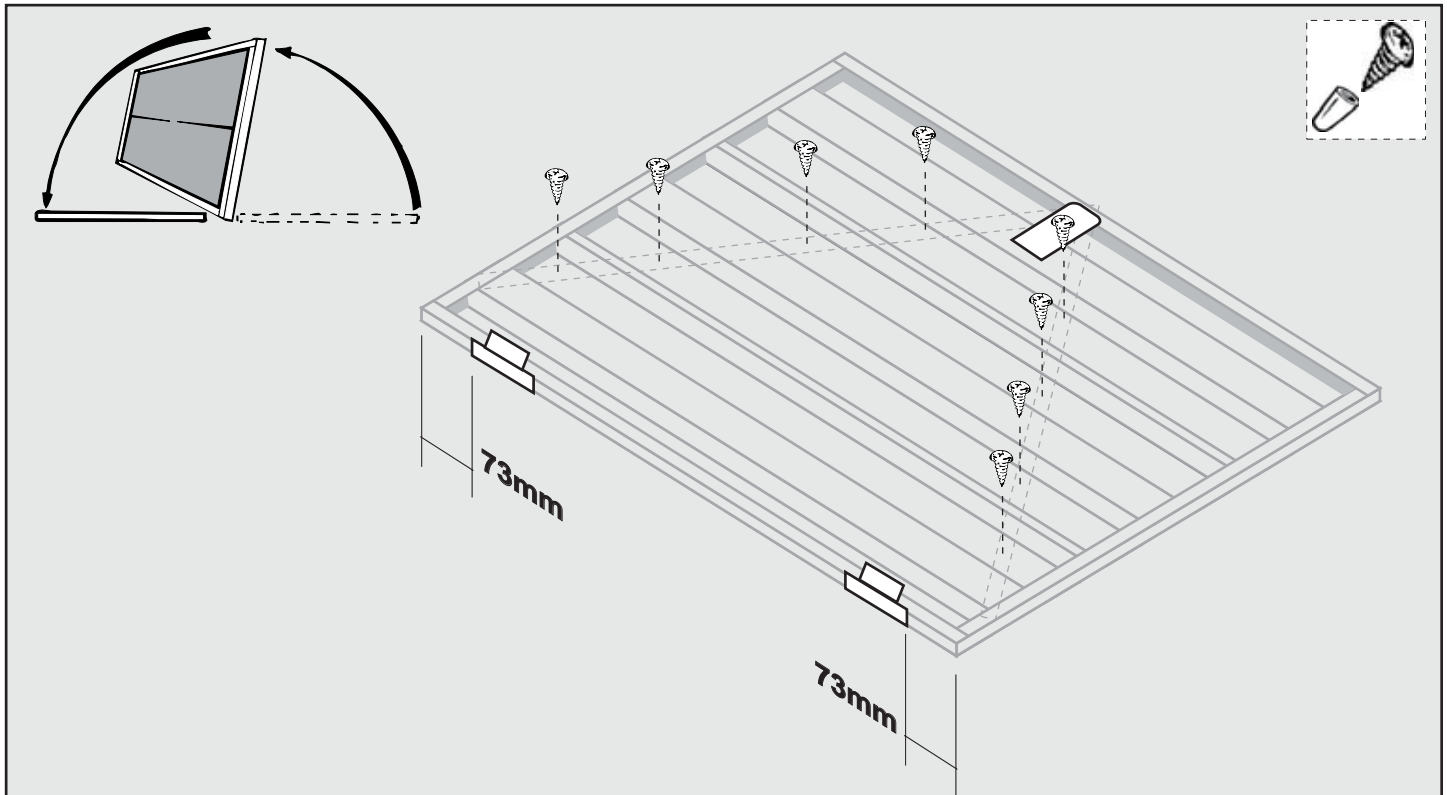
ASSEMBLE DOOR



Use the 2.5mm drill bit to drill pilot holes through the door bracing into the door sheeting.

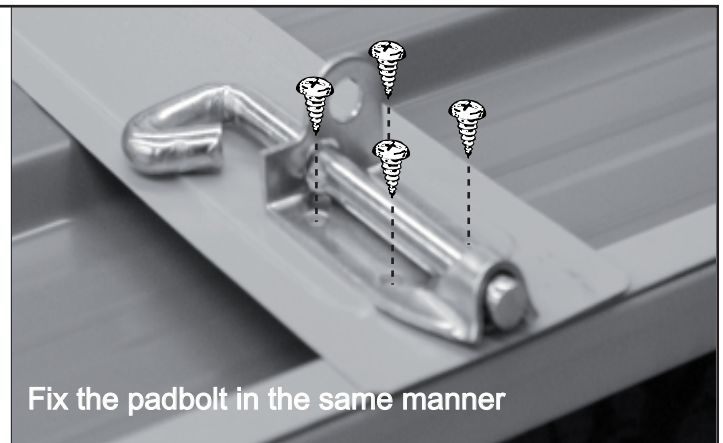
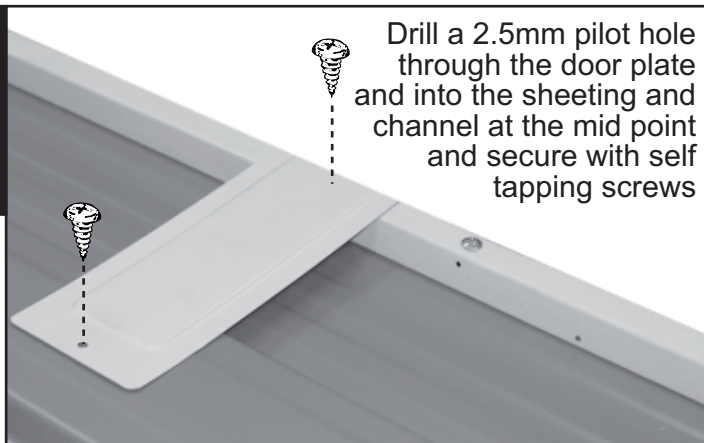
DO NOT FASTEN BRACING YET

ASSEMBLE DOOR

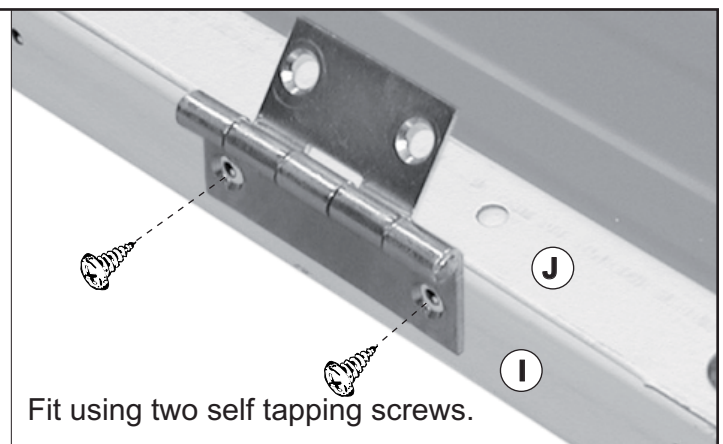
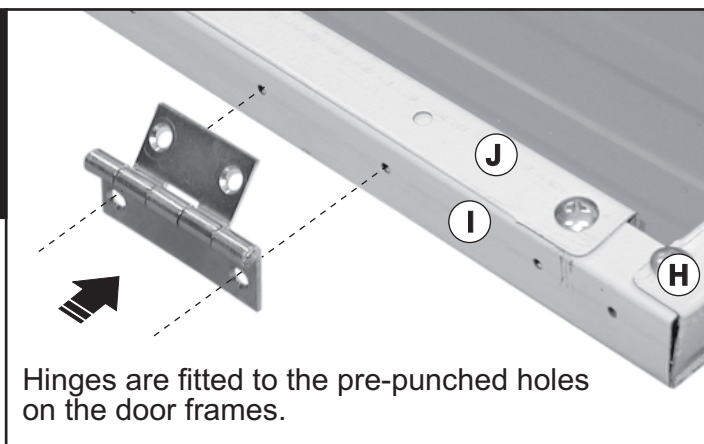


Flip the door back over to the front side facing up. Using the pilot holes drilled before, fix the door bracing from the front with self tapping screws.

6

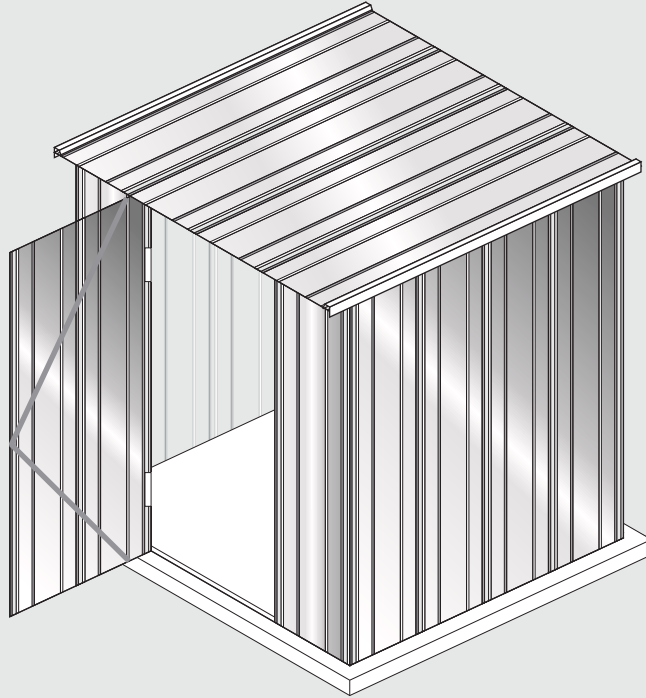


7



HANG DOOR

NOTE: The diagram below shows a 44 flat roof shed. The assembly process is the same for all sheds.



Fit the door to the left or right by fixing the hinges to the pre-drilled holes in the door jambs then fit the padbolt keeper.

1

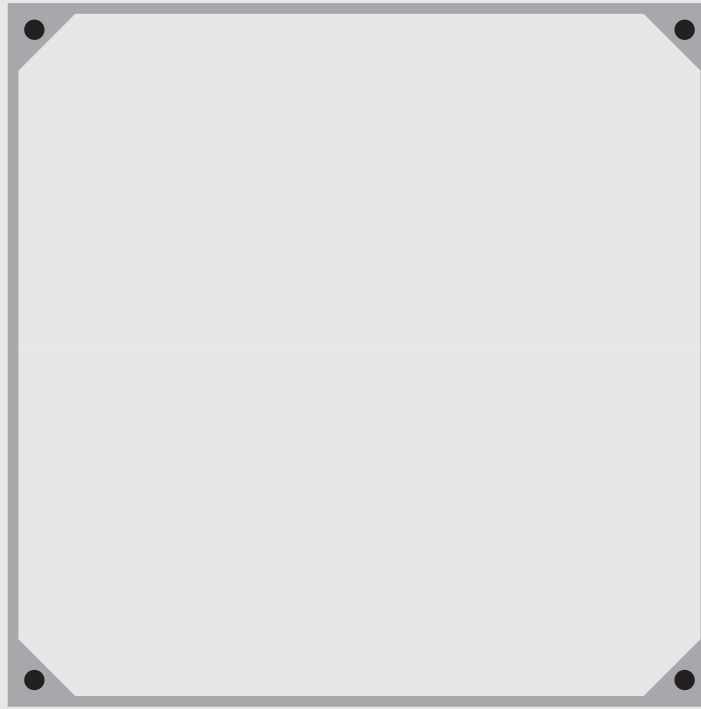


2



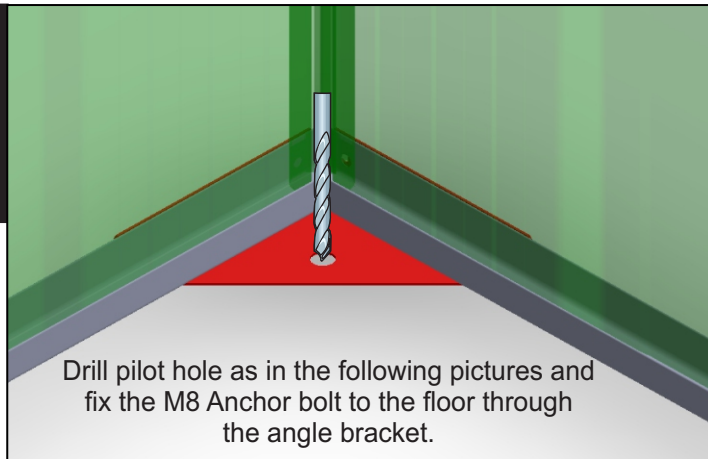
Drill pilot holes to accommodate the padbolt keeper and then fix with self tapping screws

BOLT DOWN

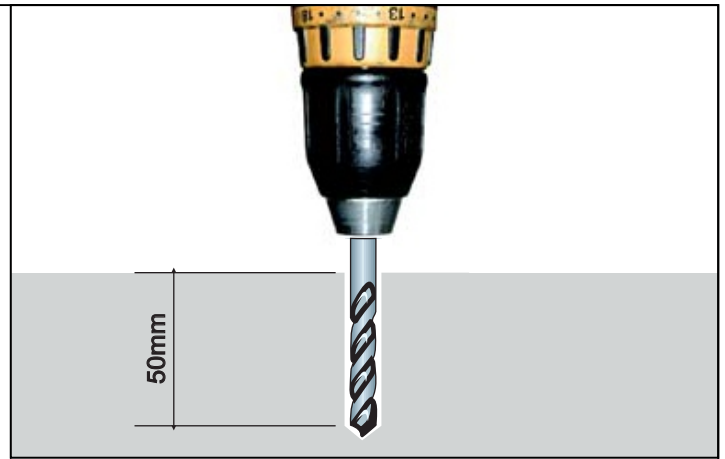


Bolt the shed down through the four corner brackets as shown. Ensure the shed is square.

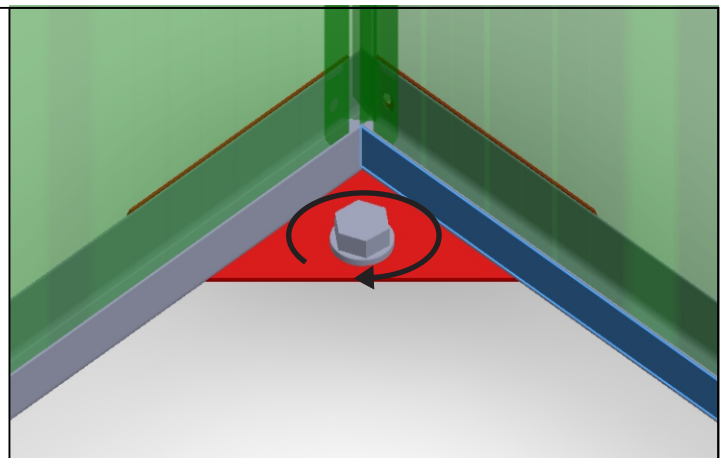
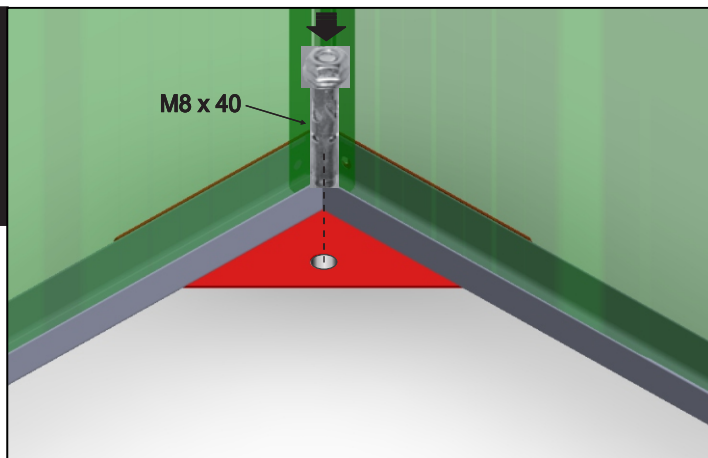
1



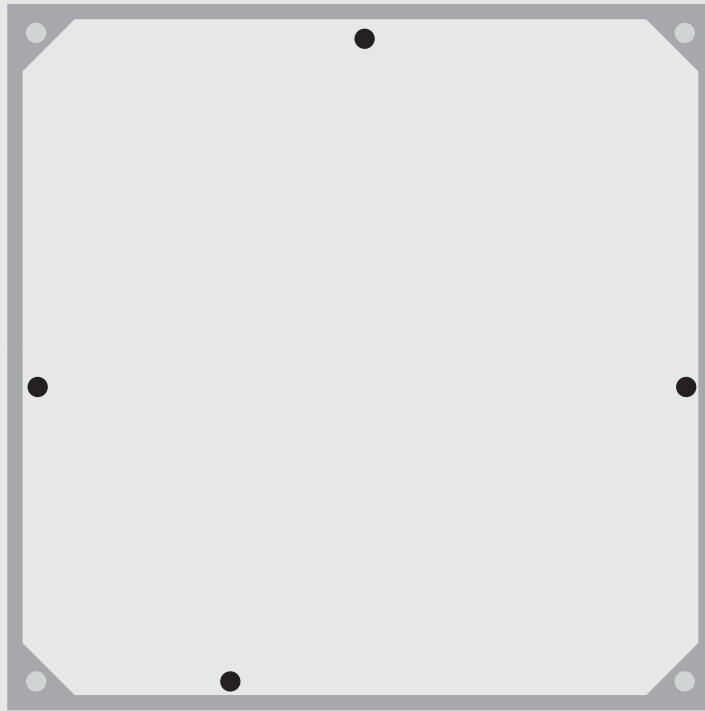
Drill pilot hole as in the following pictures and fix the M8 Anchor bolt to the floor through the angle bracket.



2

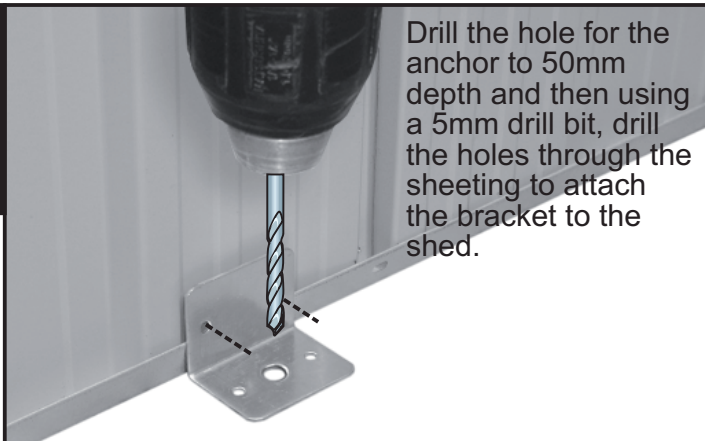


BOLT DOWN

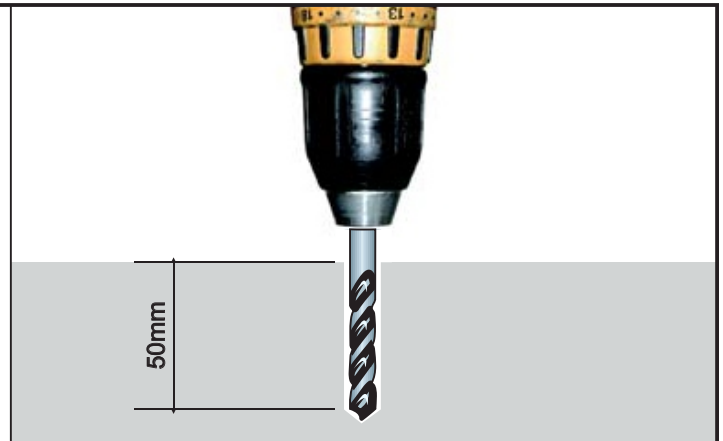


Bolt the shed down through the angle brackets as shown.

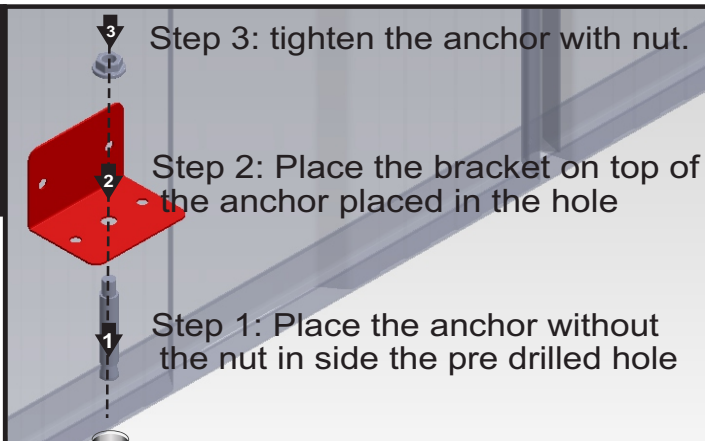
1



Drill the hole for the anchor to 50mm depth and then using a 5mm drill bit, drill the holes through the sheeting to attach the bracket to the shed.



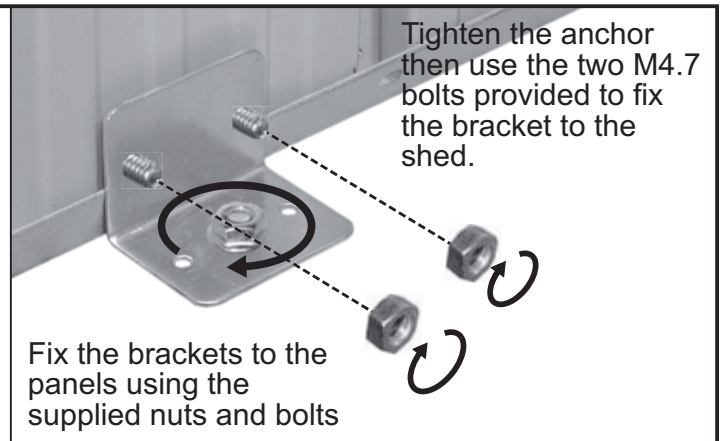
2



Step 3: tighten the anchor with nut.

Step 2: Place the bracket on top of the anchor placed in the hole

Step 1: Place the anchor without the nut in side the pre drilled hole



Tighten the anchor then use the two M4.7 bolts provided to fix the bracket to the shed.

Fix the brackets to the panels using the supplied nuts and bolts

FIT SKYLIGHT (OPTIONAL)

The skylight must be fitted on top of the two adjacent sheets. Fit the steel roof sheets first then fit the skylight as shown below.

1



The skylight is fixed using two (2) screws at the top and bottom of the sheet. The inset shows a closeup of the overlap. Pilot holes will need to be drilled

2





Simple, Strong,
Quick & Easy

15 Years Warranty

Thank you for purchasing FASTTRAK® system steel storage shed.

Your personal warranty is backed by Spanbilt®, the manufacturer of FASTTRAK® system storage sheds, and our proven commitment to quality and customer service. Our goods come with guarantees that cannot be excluded under Australian consumer law. You are entitled to a replacement or refund of a major failure and compensation for any reasonably foreseeable loss or damage. You are also entitled to have the goods repaired or replaced if the goods fail to be of acceptable quality and the failure does not amount to a major failure. Cost of claiming the warranty will be borne by the claimant. This warranty is in addition to other rights and remedies of the customer under law.

Eligibility

- The 15 year warranty is eligible only to the original purchaser/owner of the shed as registered within 60 days from the date of purchase and is not transferrable.
- The warranty is valid for both Australia & New Zealand
- The warranty is subject to location and local environmental conditions outlined in the warranty exclusions below.

What is covered under the warranty?

FASTTRAK® steel storage shed 15 year warranty is limited to the following specific cover.

1. Zinc and/or galvanised panel materials will not rust
2. Coloured panel materials will not rust, flake, peel or blister.

Please note the 15 year warranty does not apply to any accessory items such as fasteners, Hasp, Pad bolts, also including flooring kits, shelving, hook sets, tool racks etc.

Warranty Qualifications & Limitations

The FASTTRAK® 15 year warranty is subject to the following qualifications and limitations

1. Warranty does not apply to surface deterioration of the panels caused specifically by
 - a) "Swarf" (tiny particles of steel debris left from cutting, grinding or drilling operations) that have not been dutifully removed during the assembly construction process.
 - b) As a result of contact with damp soil, chemicals, fertilisers, or other corrosive substances
2. Warranty does not cover damage caused by storms, wind, rain, hail, snow or any other adverse environmental event or "act of god"
3. Warranty only applies if the shed is used solely for domestic purposes and installation is in accordance and compliance with the FASTTRAK® instruction manual and manufacturer recommendations.
4. Warranty does not apply if the shed is installed / located in
 - a) Ocean/surf locations (typically defined as within 1km from coastal or tidal locations),
 - b) Severe industrial locations
 - c) Unusually corrosive environments (e.g. Geothermal / Sulphuric conditions)
5. Warranty does not cover any damage as a result of
 - a) Any impact
 - b) Due to poor foundations
 - c) Modifications
 - d) Build-up of debris on or in roof or walls
 - e) Poor assembly and/or construction Build-up of debris on or in roof or walls
6. The warranty will be void if the shed has been relocated from its original location / address.
7. The warranty is limited to the replacement and delivery of panels and specifically excludes any labour, installation or removal/disposal costs.
8. Warranty applies to the exclusions of all other representations, guarantees or warranties, either expressed or implied unless otherwise required by applicable legislation.
9. Your warranty registration certificate and supporting documentation must be completed and lodged within 60 days of the date of purchase.

Warranty Claims

All warranty claims should be made in writing sent directly to:

Australia

Spanbilt
PO Box 1581,
Browns Plains, Queensland, 4118

New Zealand

Spanbilt
PO Box 11-013,
Sockburn, Christchurch 8443

Claims must include:

- a) Original proof of purchase documentation
- b) Relevant contact information
- c) Product model
- d) Photographic evidence
- e) Description of the damage



**Simple, Strong,
Quick & Easy.**

Warranty Registration Certificate

Owners Details

Owners Name:

Street Address:

City:

Postcode:

Email:

Building Details

Product Model Number:

Colour:

Place of Purchase:

Purchase Date:

Please attach here a photocopy of proof of purchase

Retain the original for your records

You must submit your warranty registration certificate within 60 days of the purchase date of your FASTTRAK® garden shed.

Post your certificate and supporting documentation to:

Australia

Spanbilt

PO Box 1581, Browns Plains

Queensland, 4118

New Zealand

Spanbilt

PO Box 11-013,

Sockburn, Christchurch 8443

FASTTRAK

**Simple, Strong,
Quick & Easy.**

**PO Box 1581
Browns Plains, QLD 4118**

**Enquiries
07 3827 8000
Fax
1800 222 166**

**Building Advice Line
1800 032 077
www.spanbilt.com.au**

**112 Waterloo Road
PO Box 11-013
Sockburn, Christchurch**

**TELEPHONE
03 349 3480
Fax
0800 772 6245
www.spanbilt.co.nz**

Another Quality Product From

