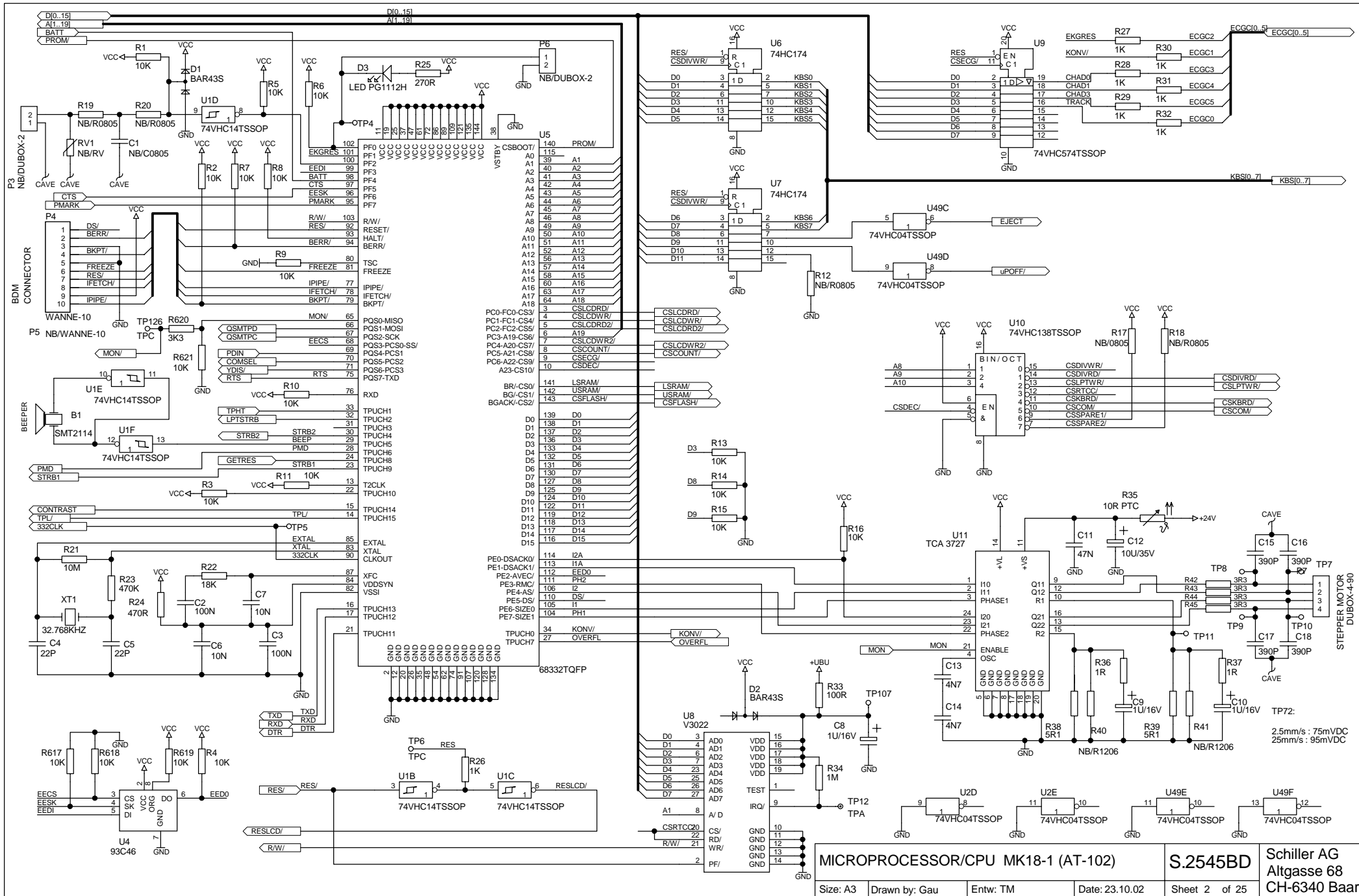
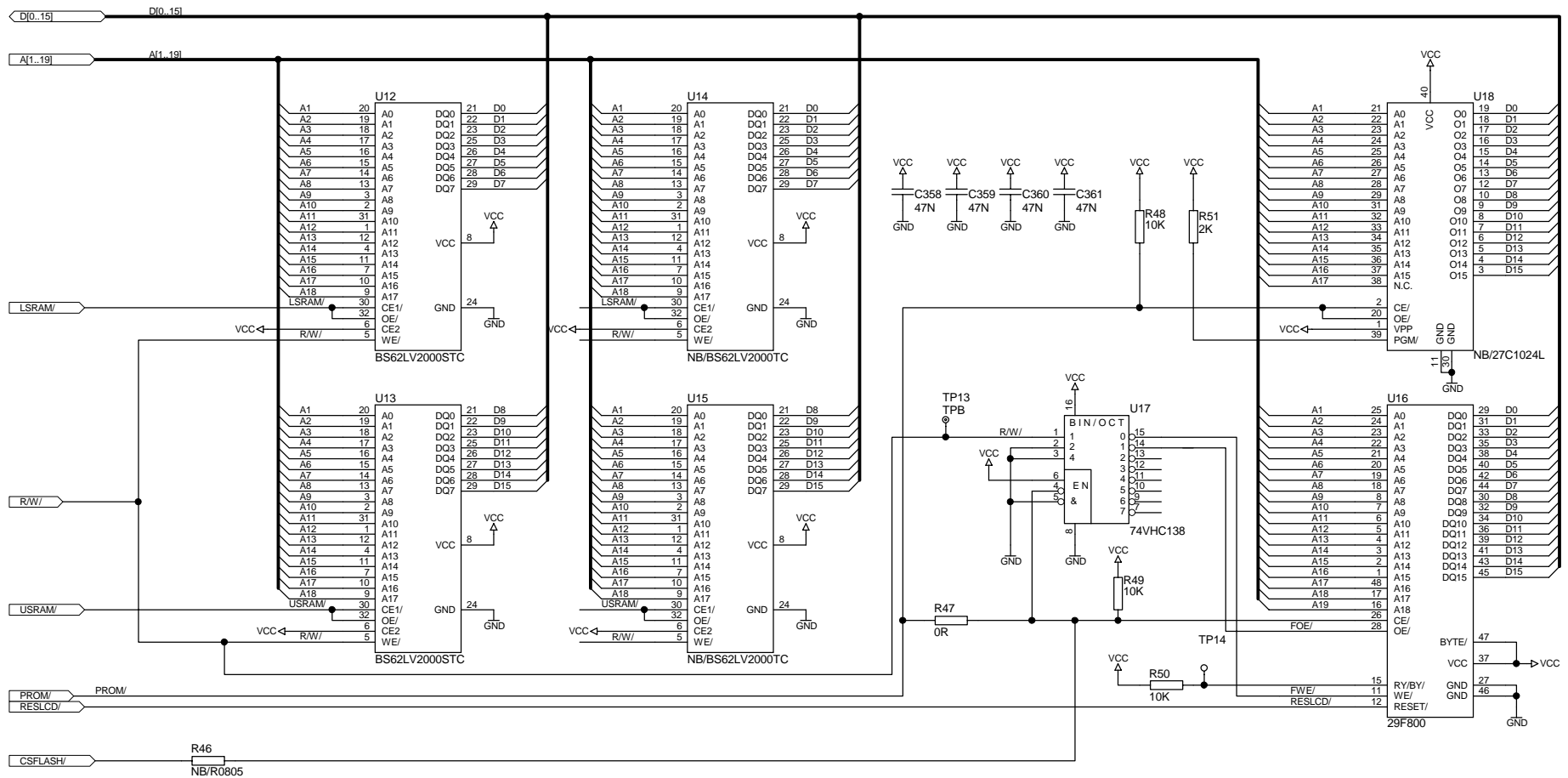
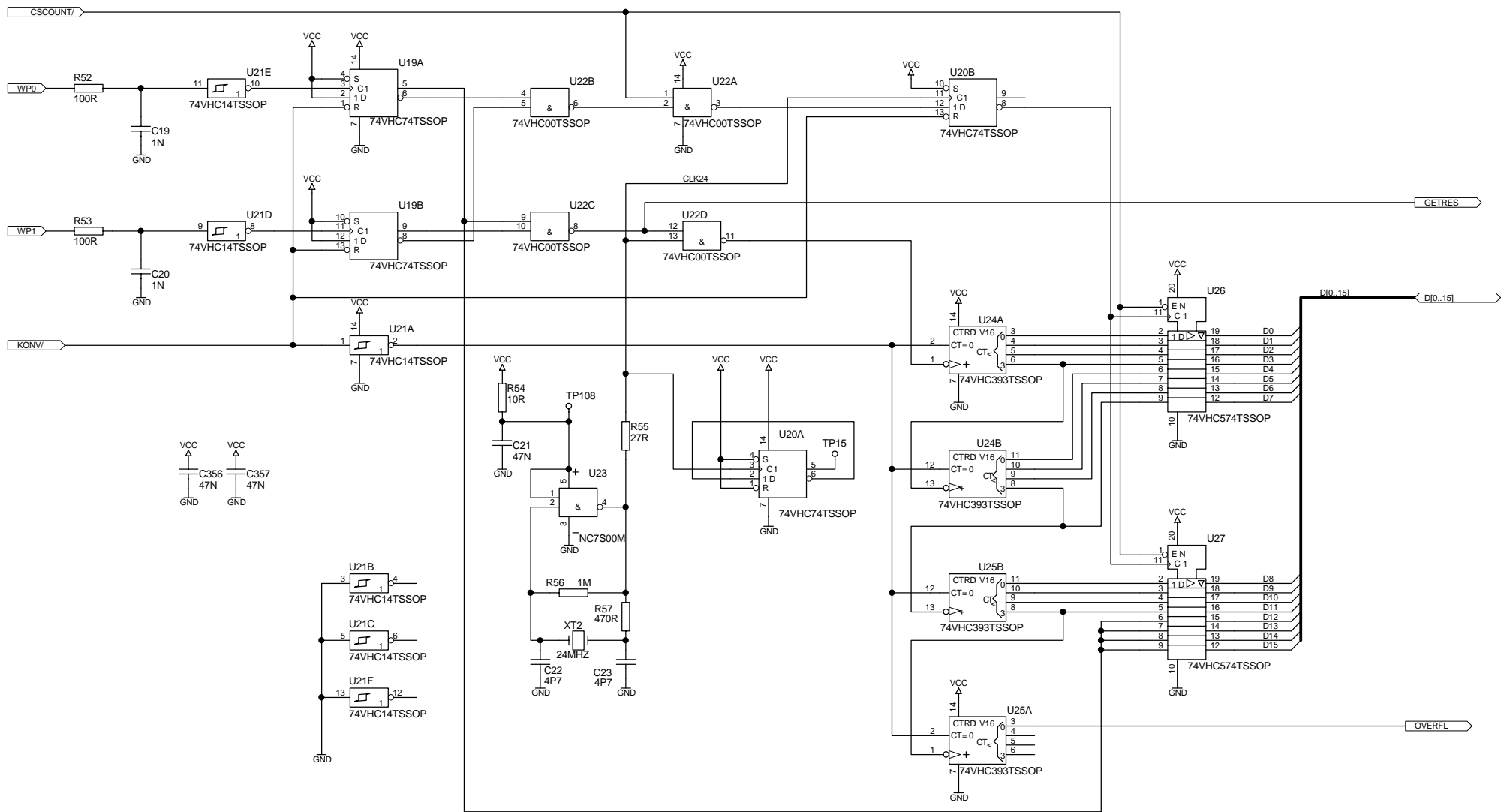
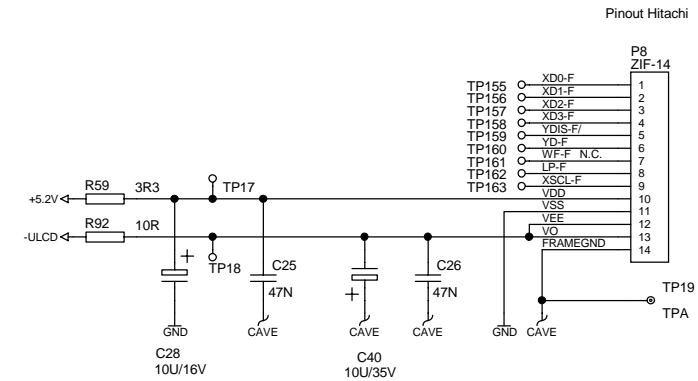
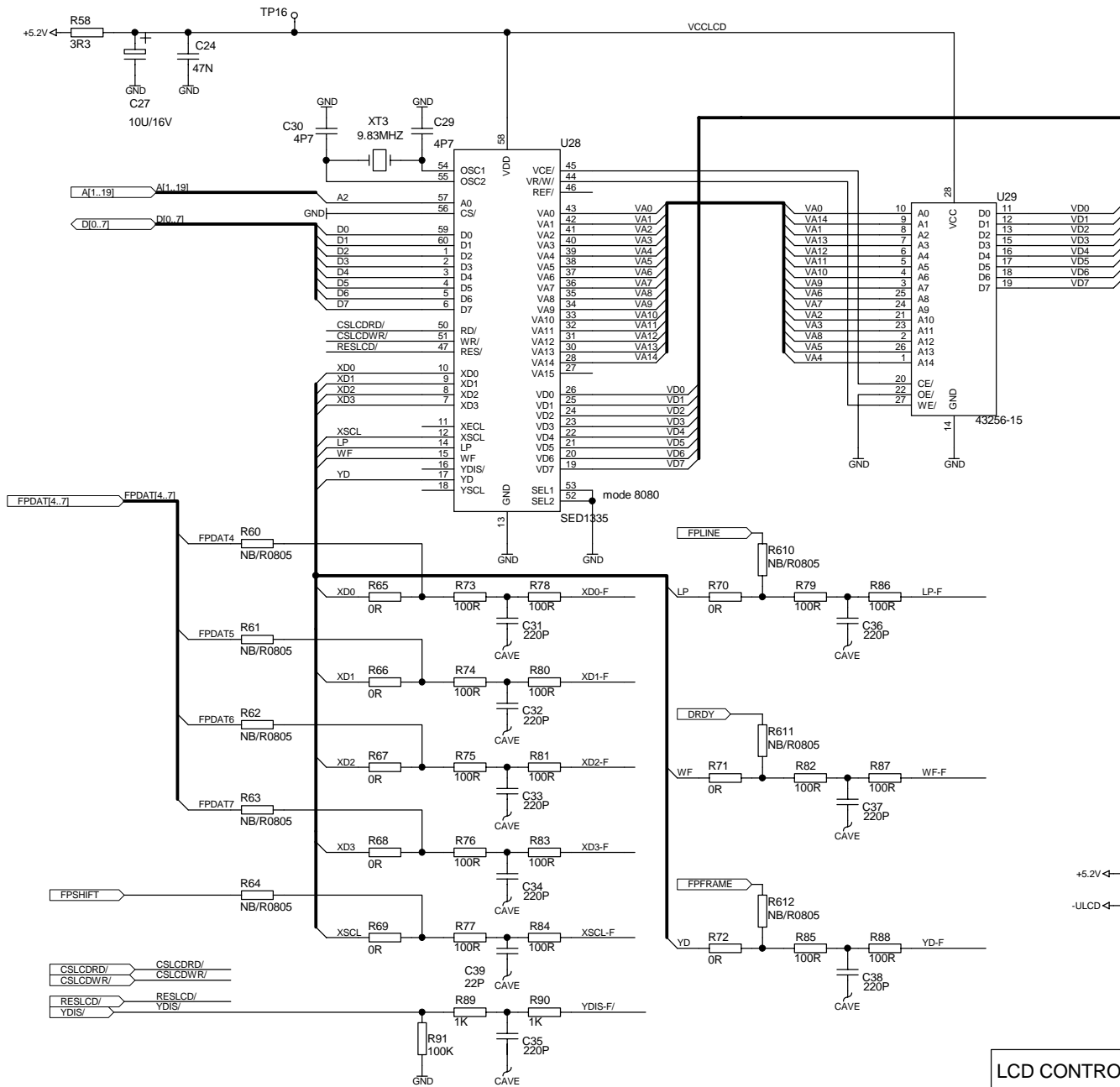


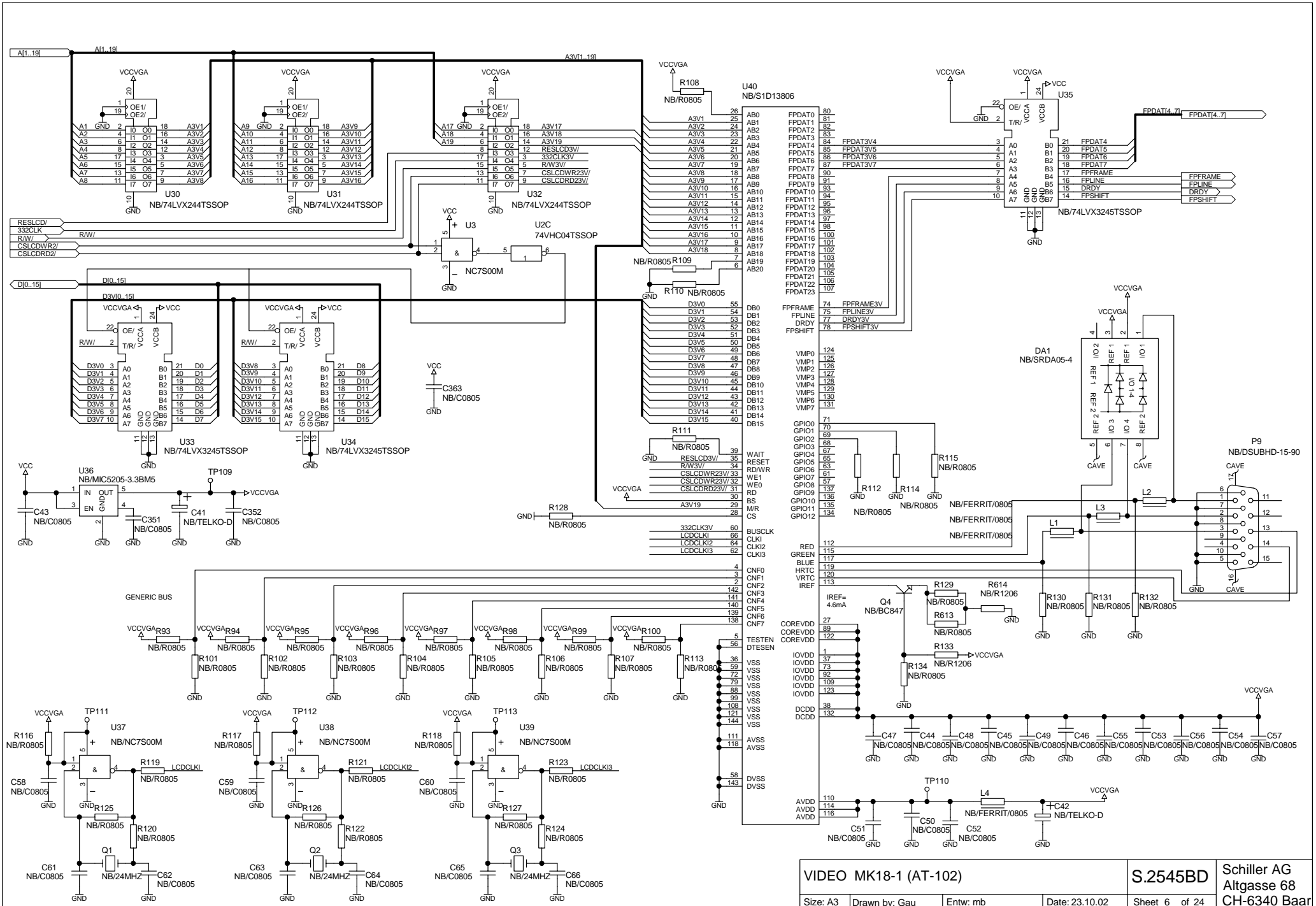
MICROPROCESSOR MK18-1 (AT-102)			S.2545BD	Schiller AG Altgasse 68 CH-6340 Baar
Size: A3	Drawn by: Gau	Entw: TM	Date: 23.10.02	Sheet 1 of 25

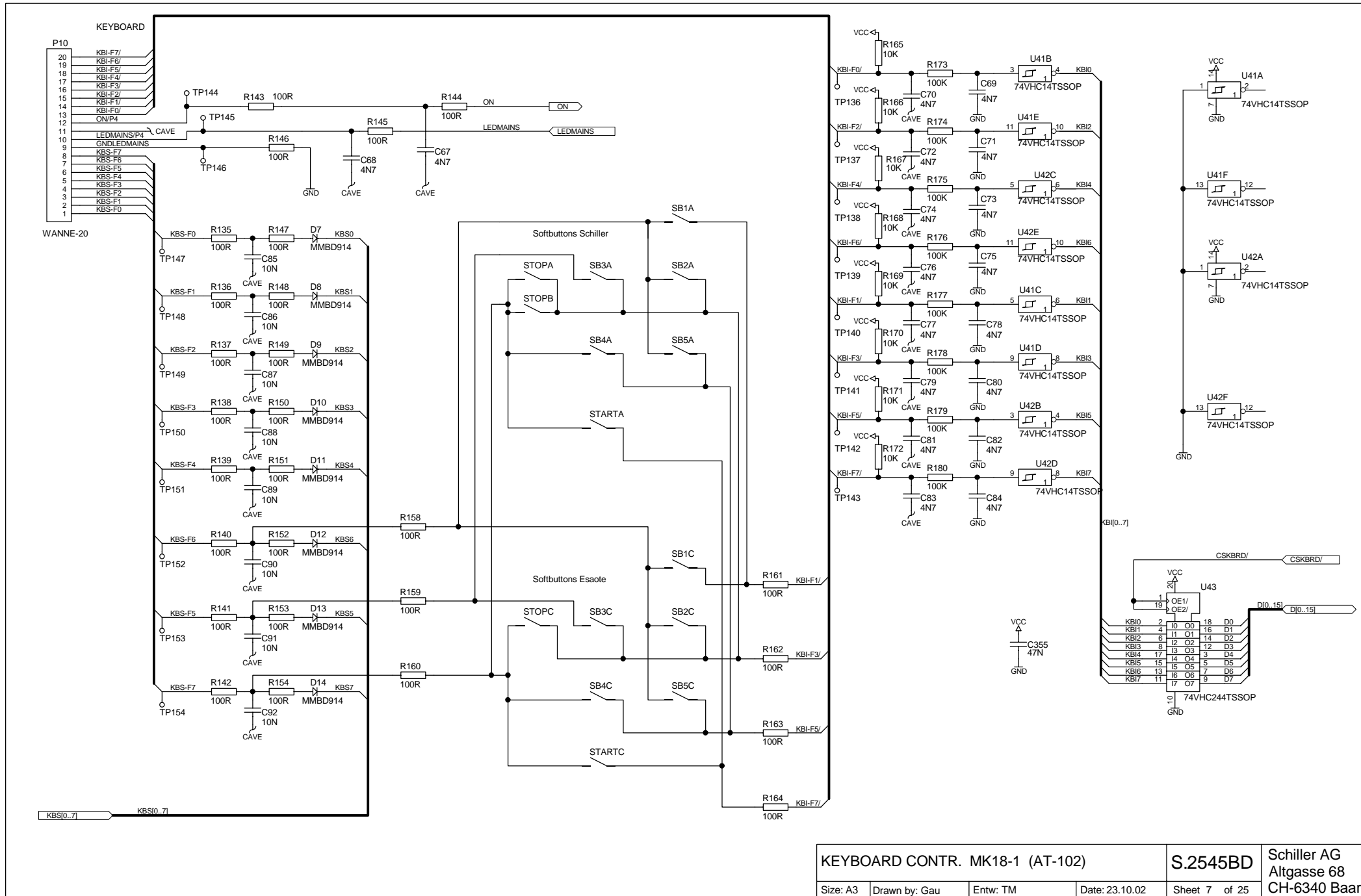




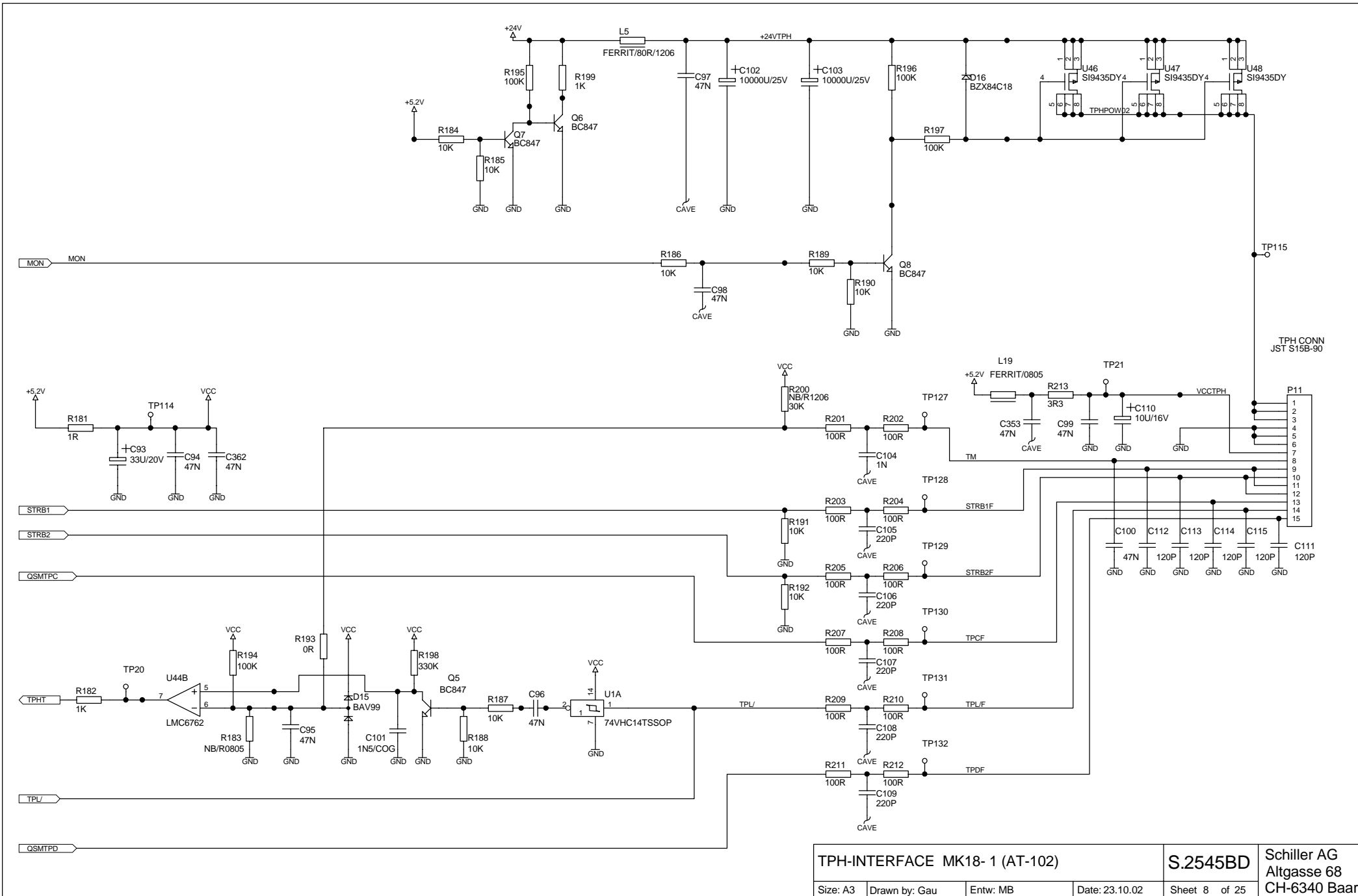


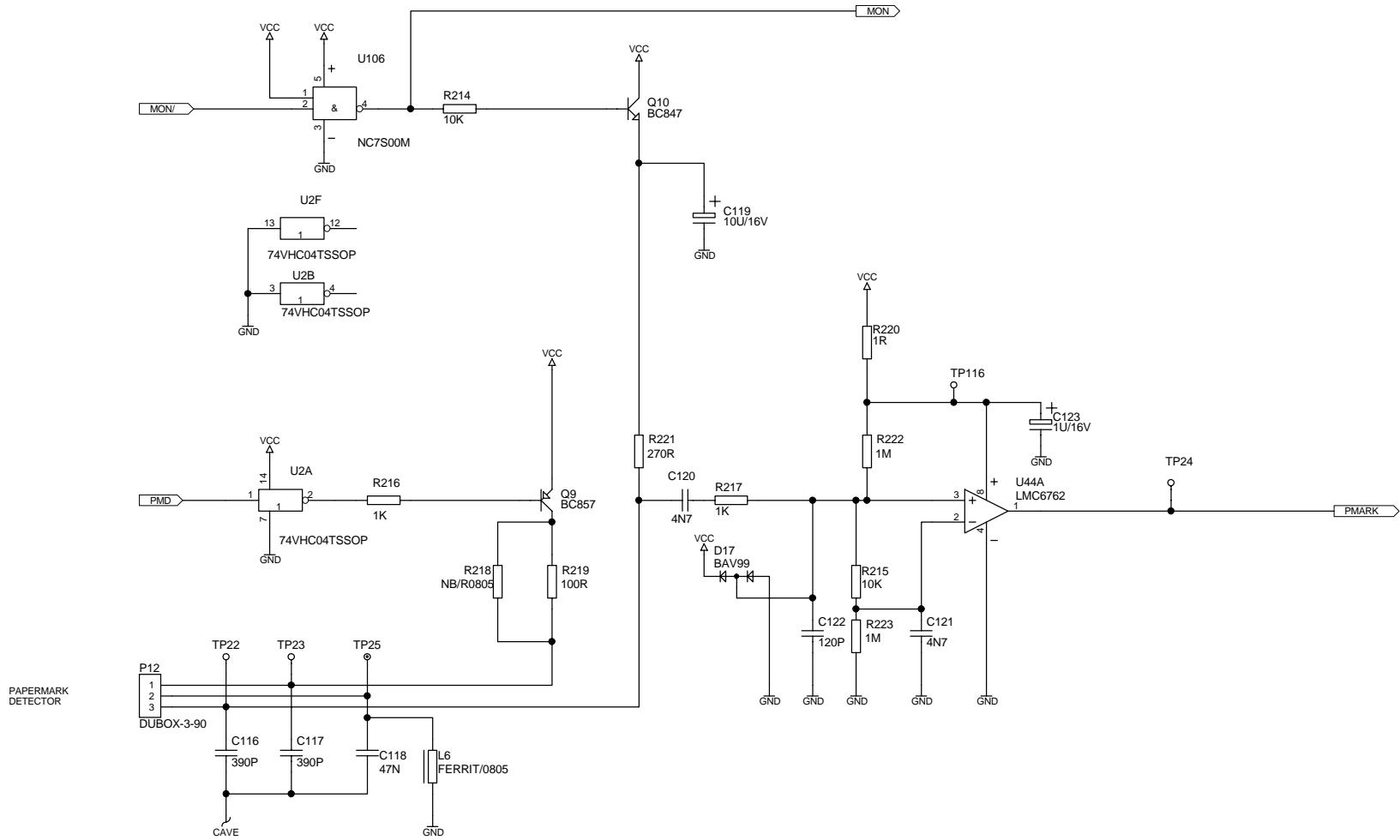




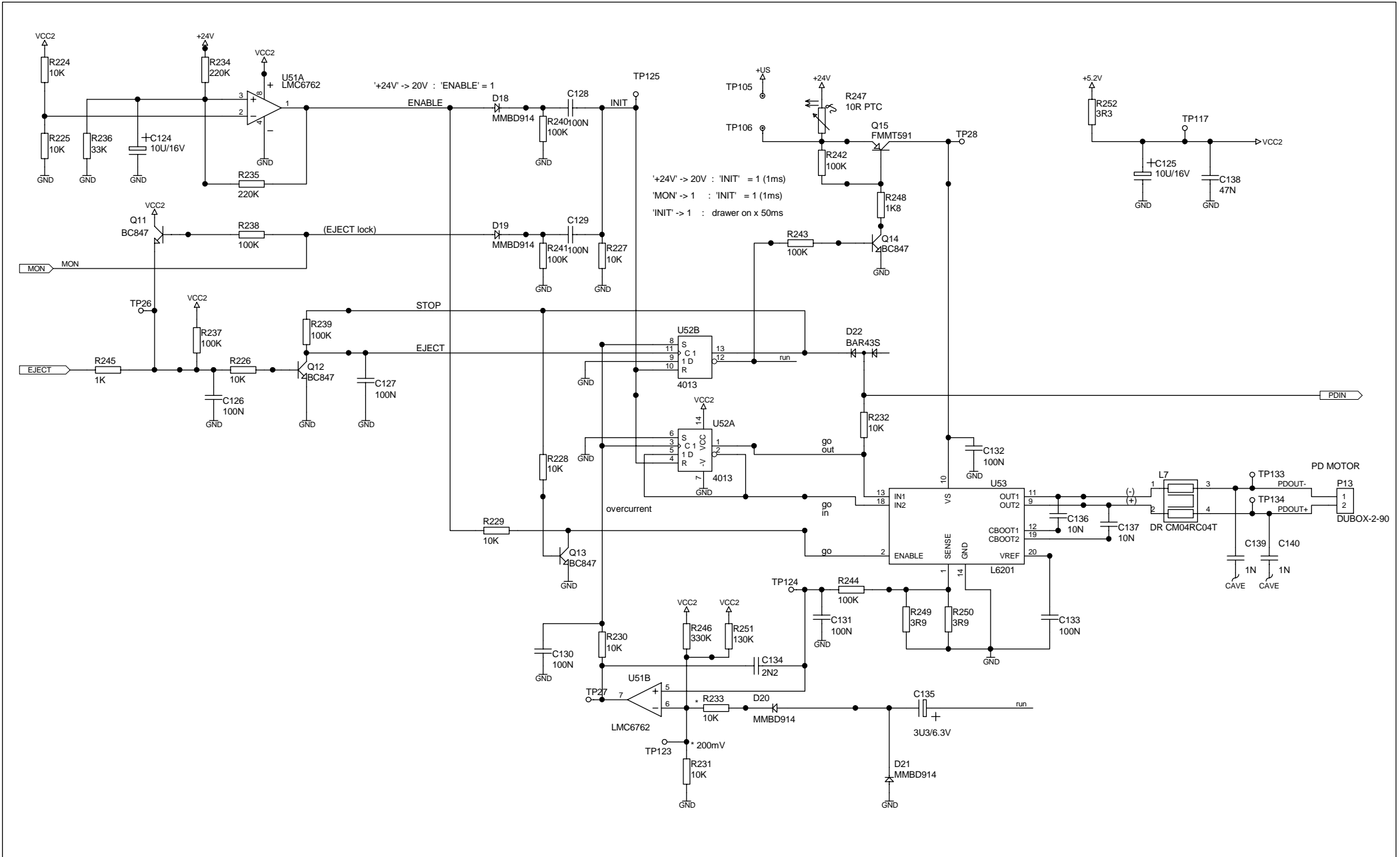


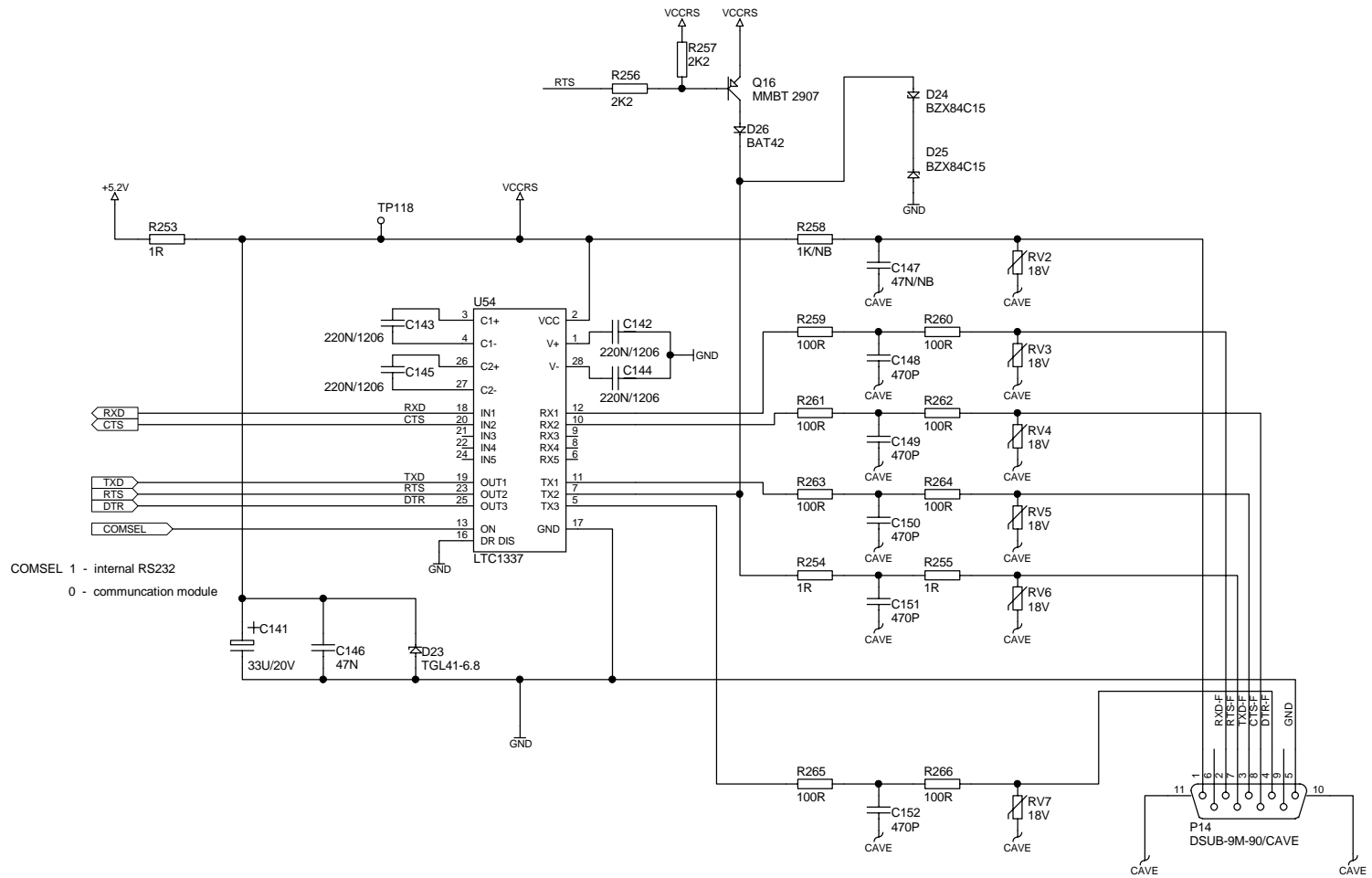




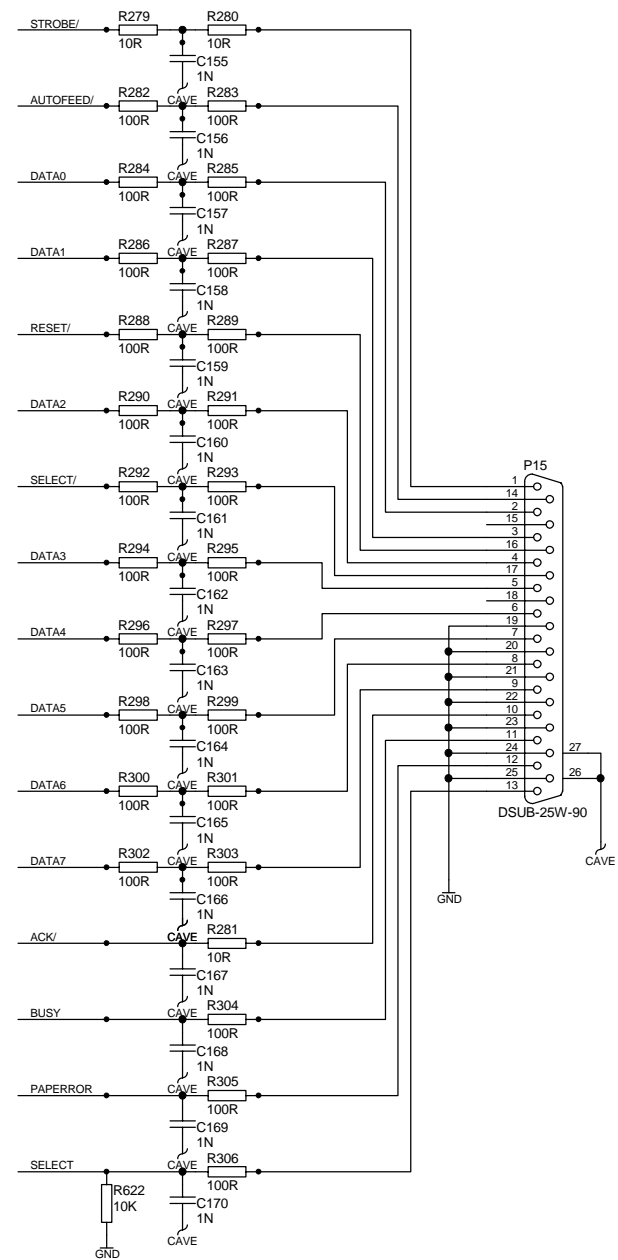
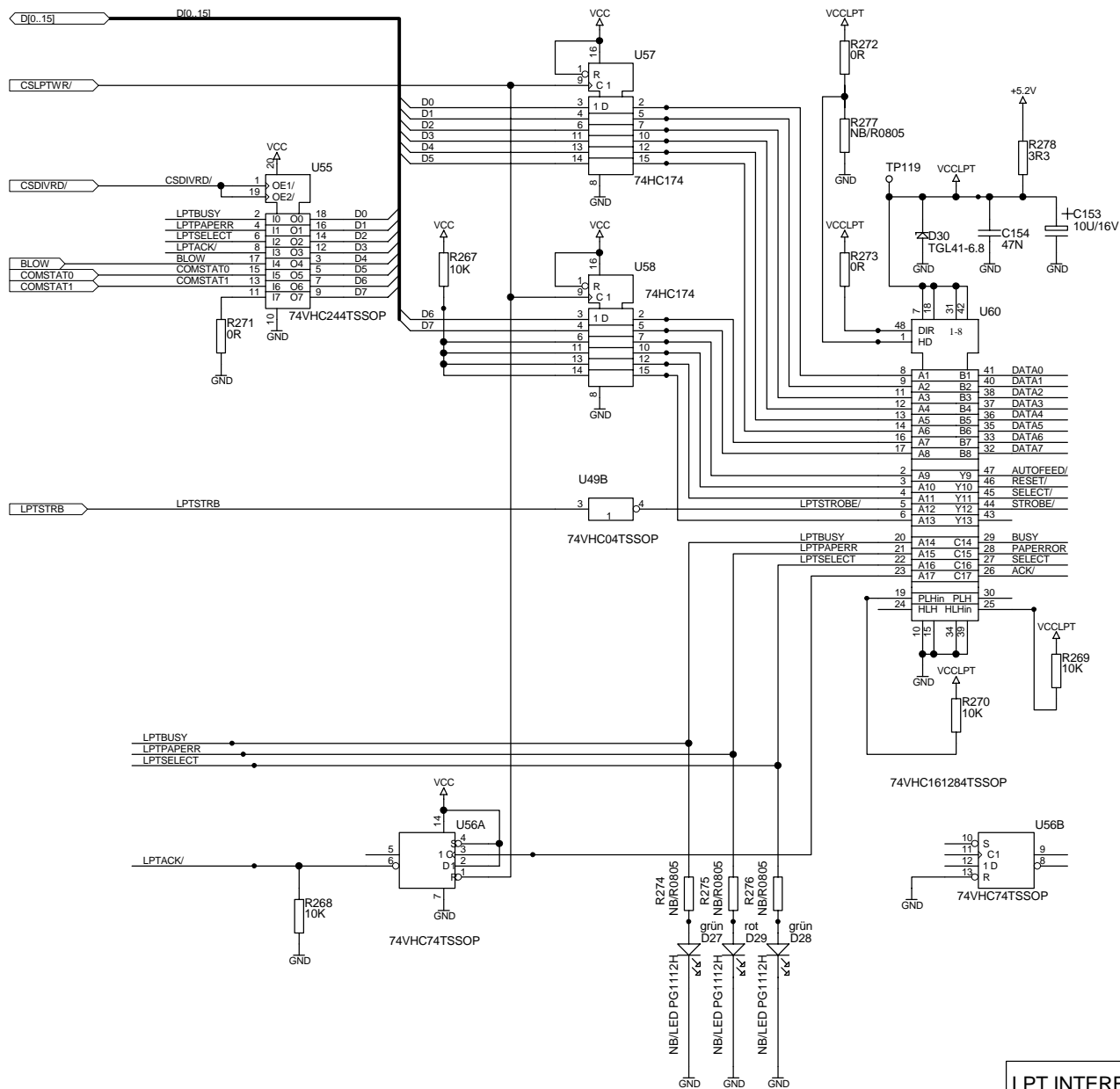


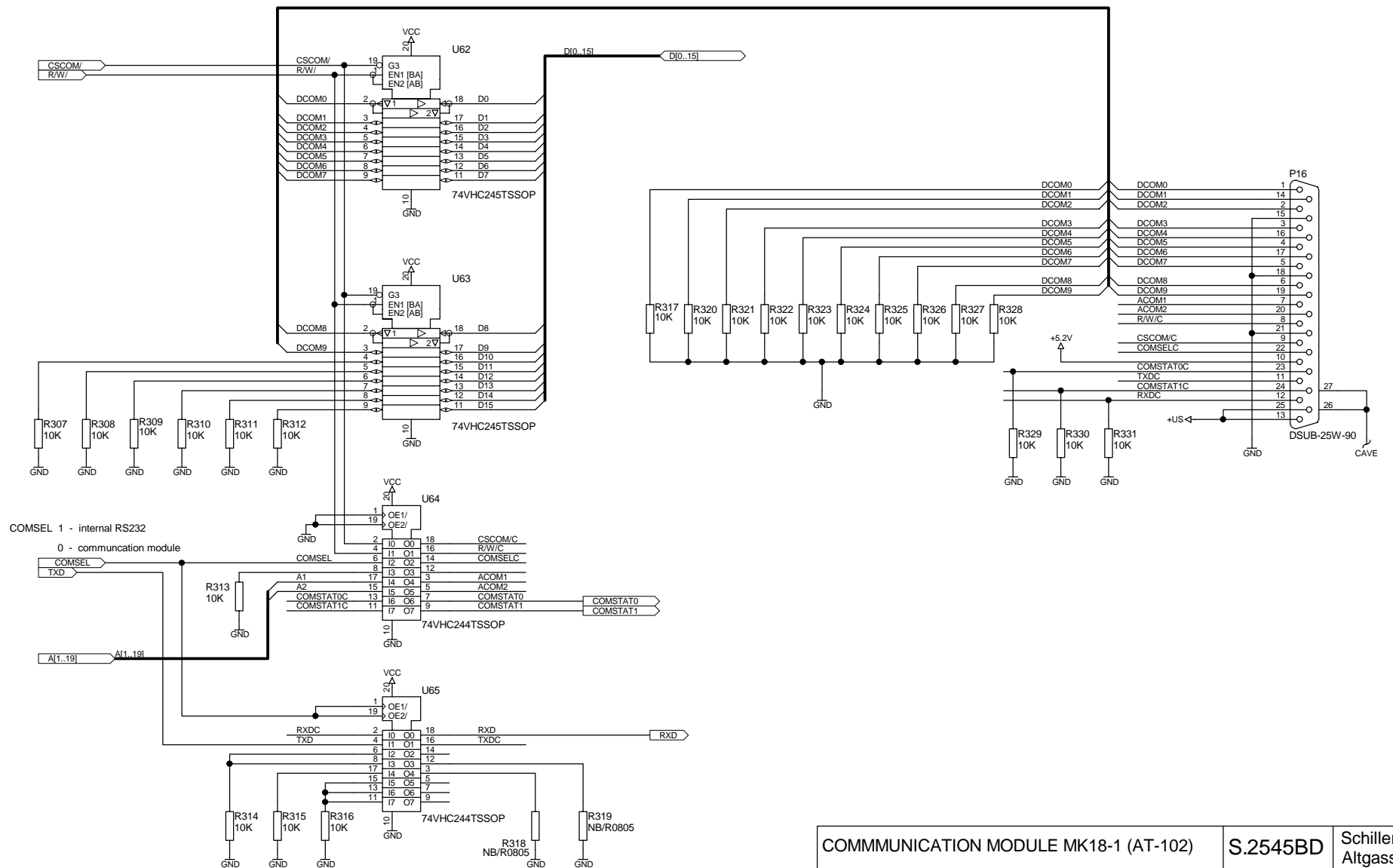
PAPERMARK  
DETECTOR



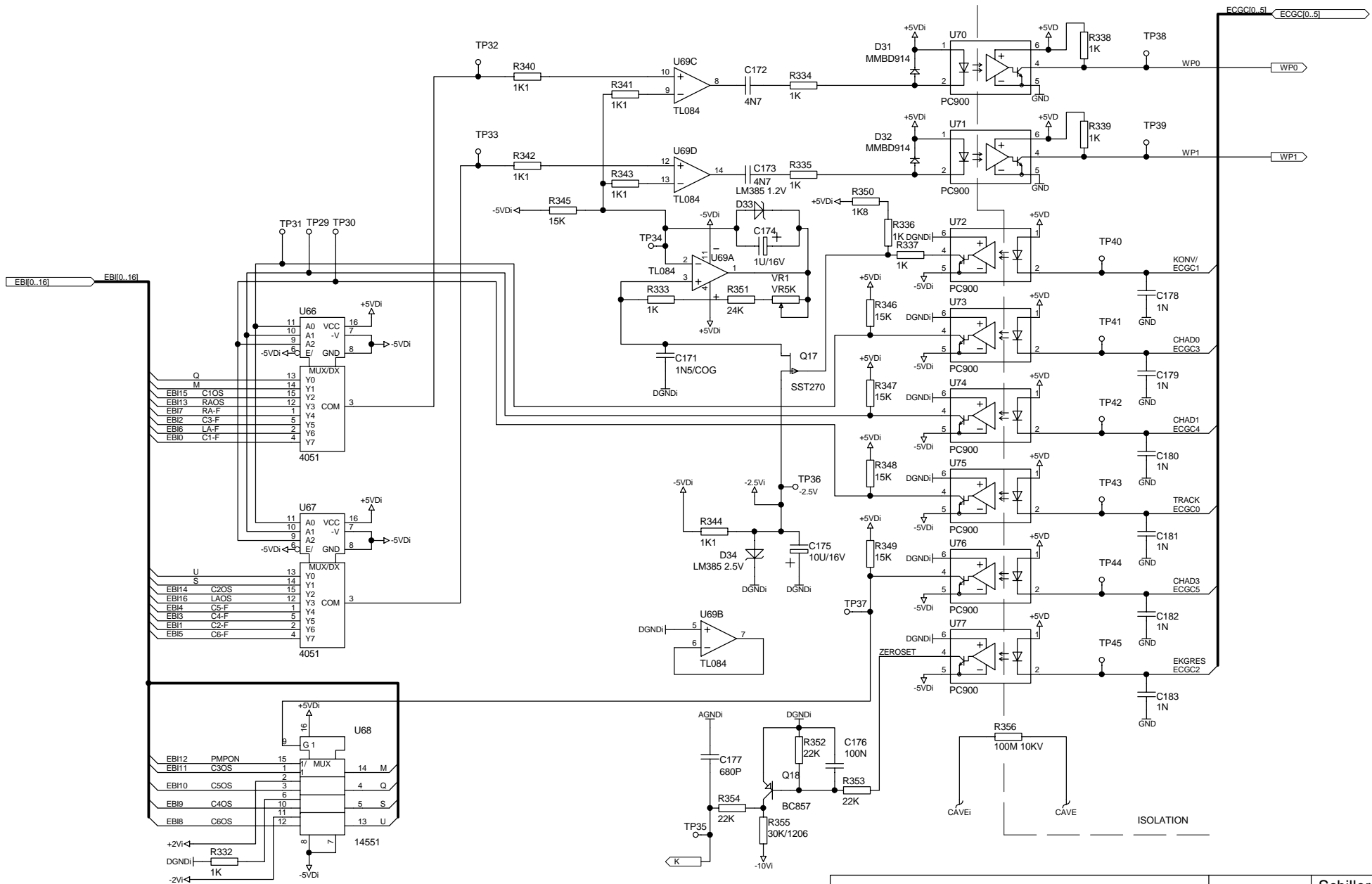


RS-232	MK18-1 (AT-102)	S.2545BD	Schiller AG Altgasse 68 CH-6340 Baar
Size: A3	Drawn by: Gau	Entw: TM	Date: 23.10.02
		Sheet 11 of 25	





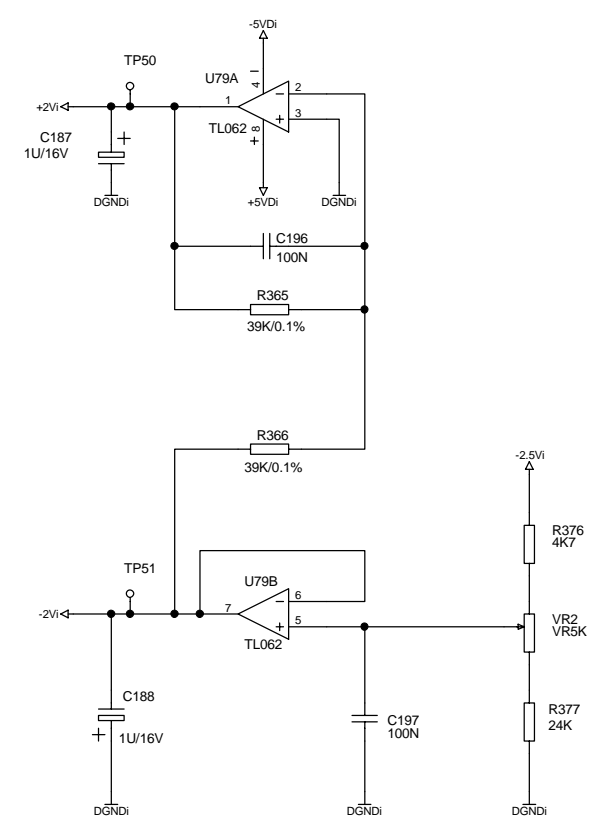
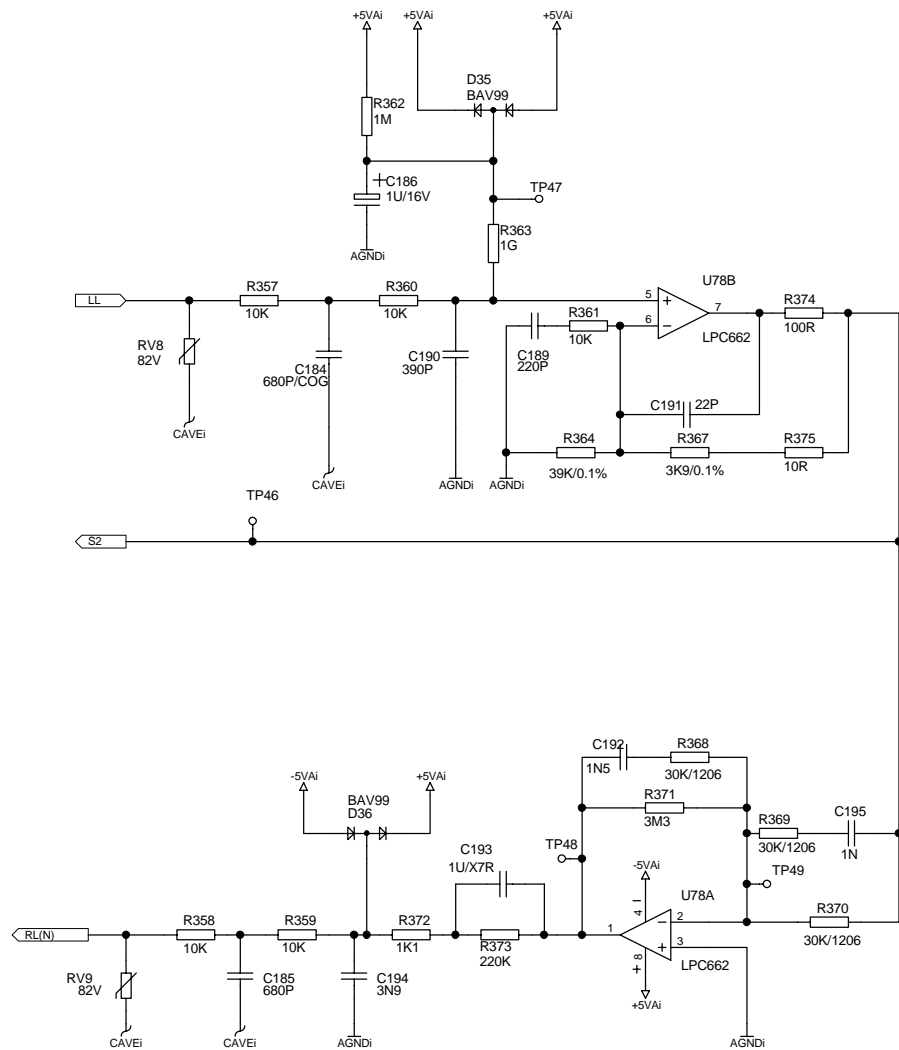
COMMUNICATION MODULE MK18-1 (AT-102)				S.2545BD	Schiller AG Altgasse 68 CH-6340 Baar
Size: A3	Drawn by: Gau	Entw: TM	Date: 23.10.02	Sheet 13 of 25	



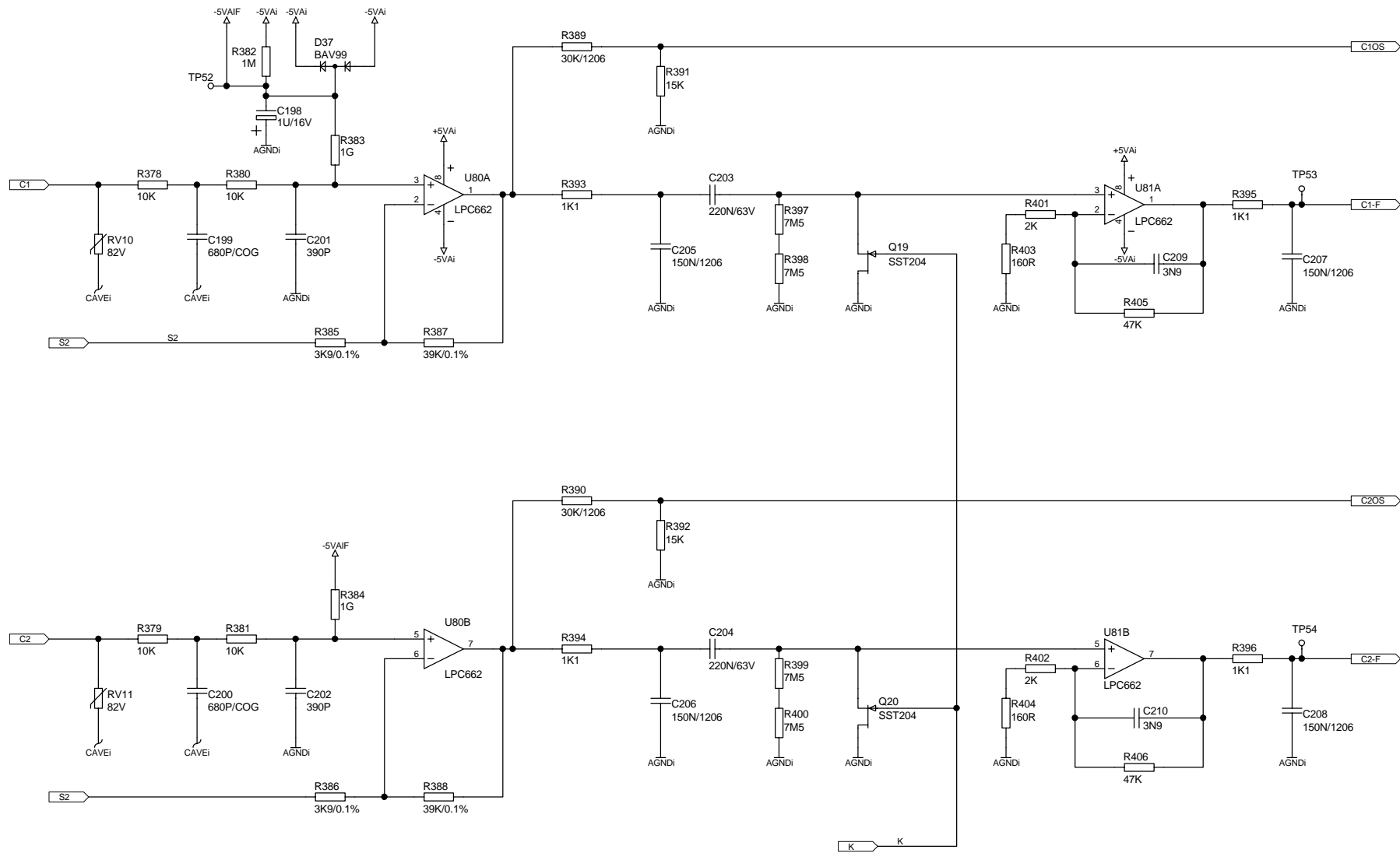
ECG Part B MK18-1 (AT-102)

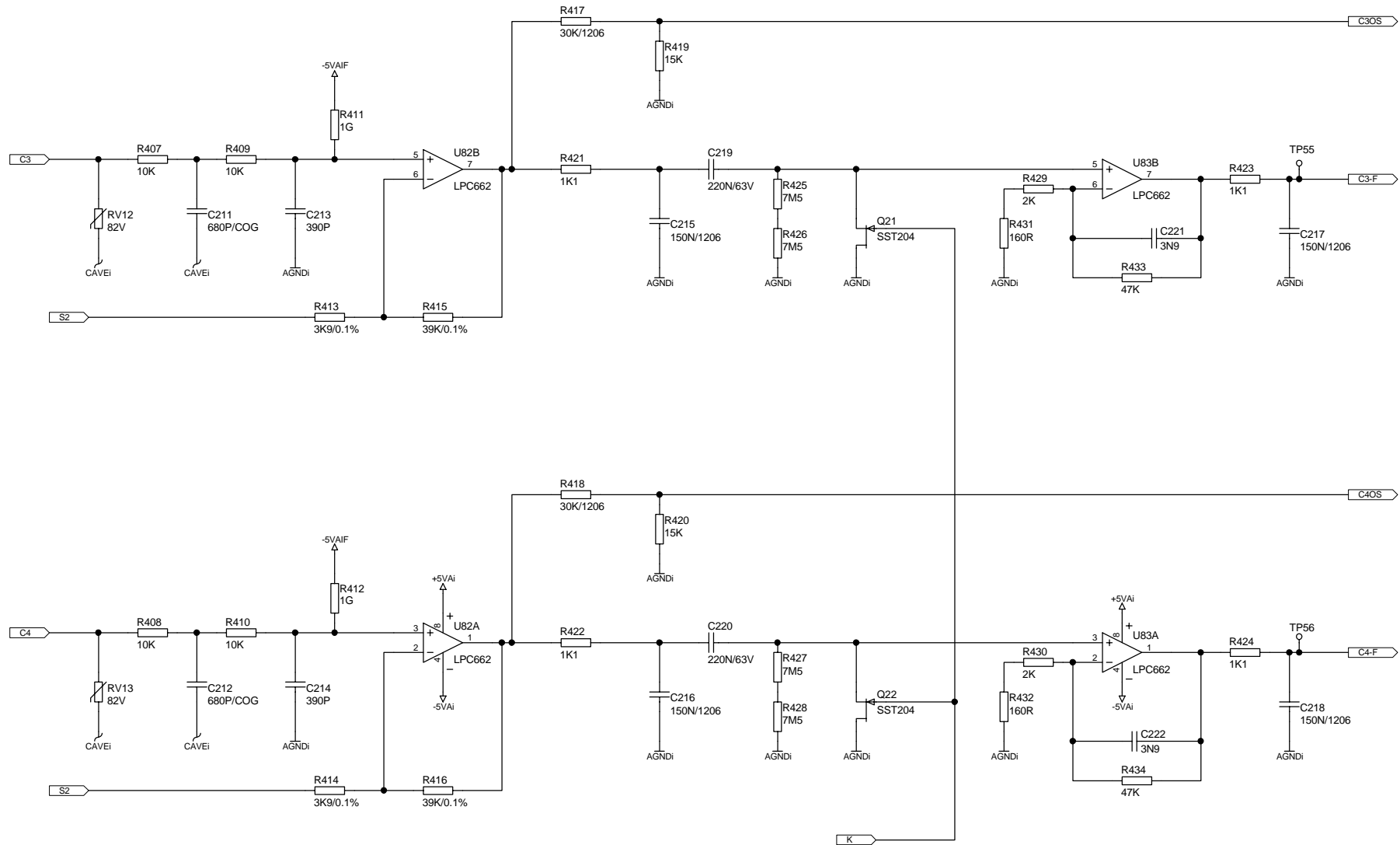
S.2545BD

Schiller AG  
Altgasse 68  
CH-6340 Baar

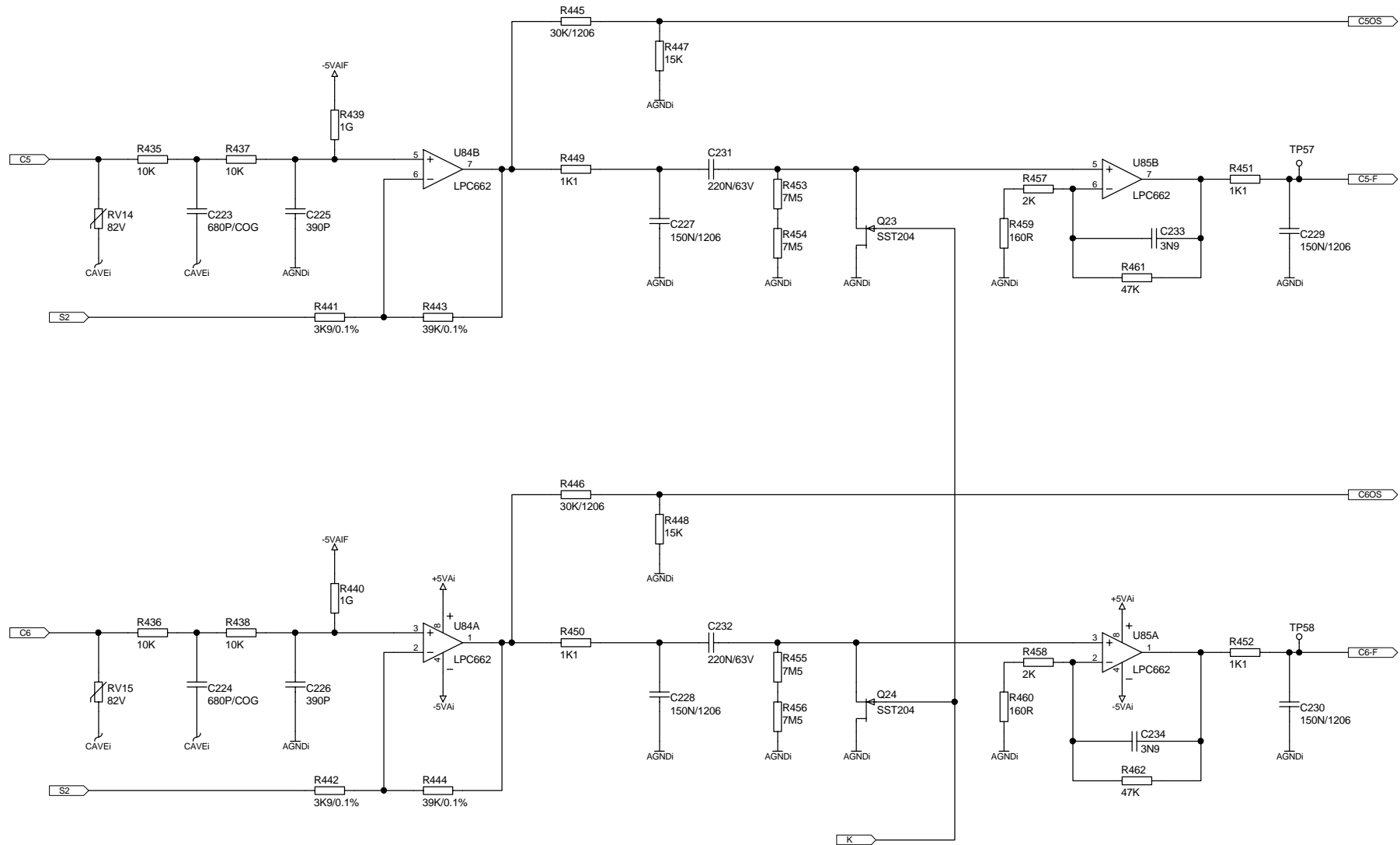








ECG CHANNEL C3 + C4 MK18-1 (AT-102)				S.2545BD	Schiller AG Altgasse 68 CH-6340 Baar
Size: A3	Drawn by: Gau	Entw: TM	Date: 23.10.02	Sheet 17 of 25	



ECG CHANNEL C5 + C6 MK18-1 (AT-102)

S.2545BD

Schiller AG  
Altgasse 68  
CH-6340 Baar

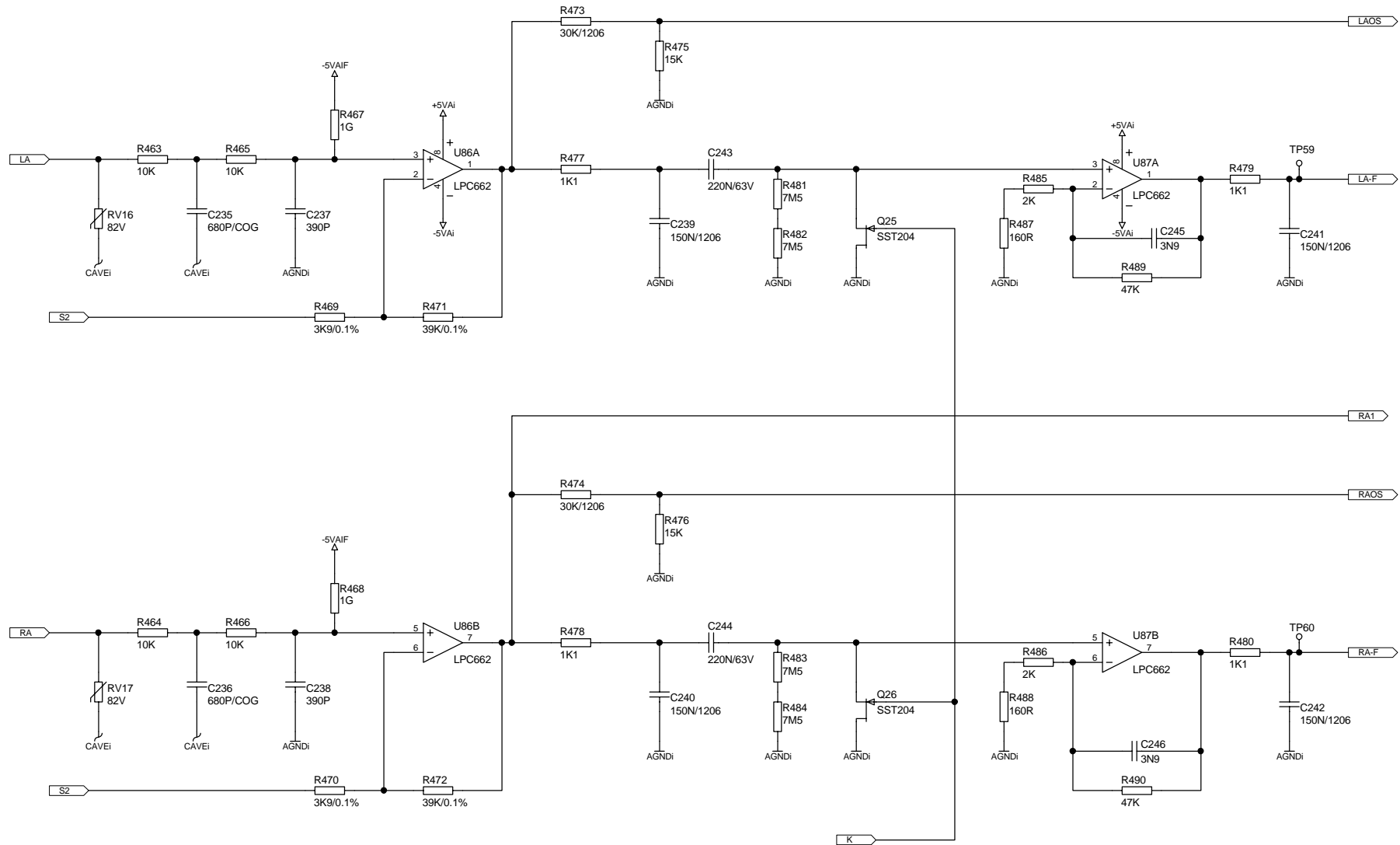
Size: A3

Drawn by: Gau

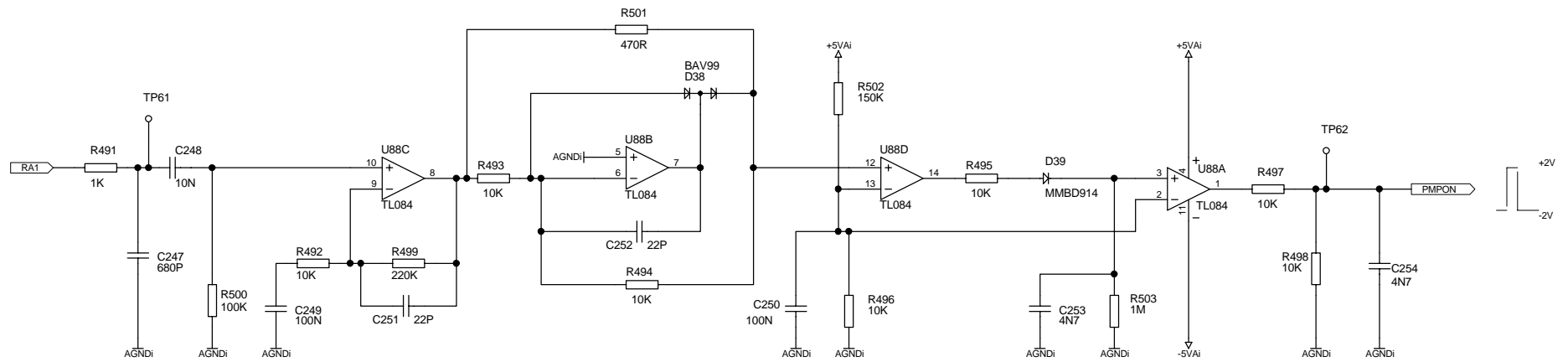
Entw: TM

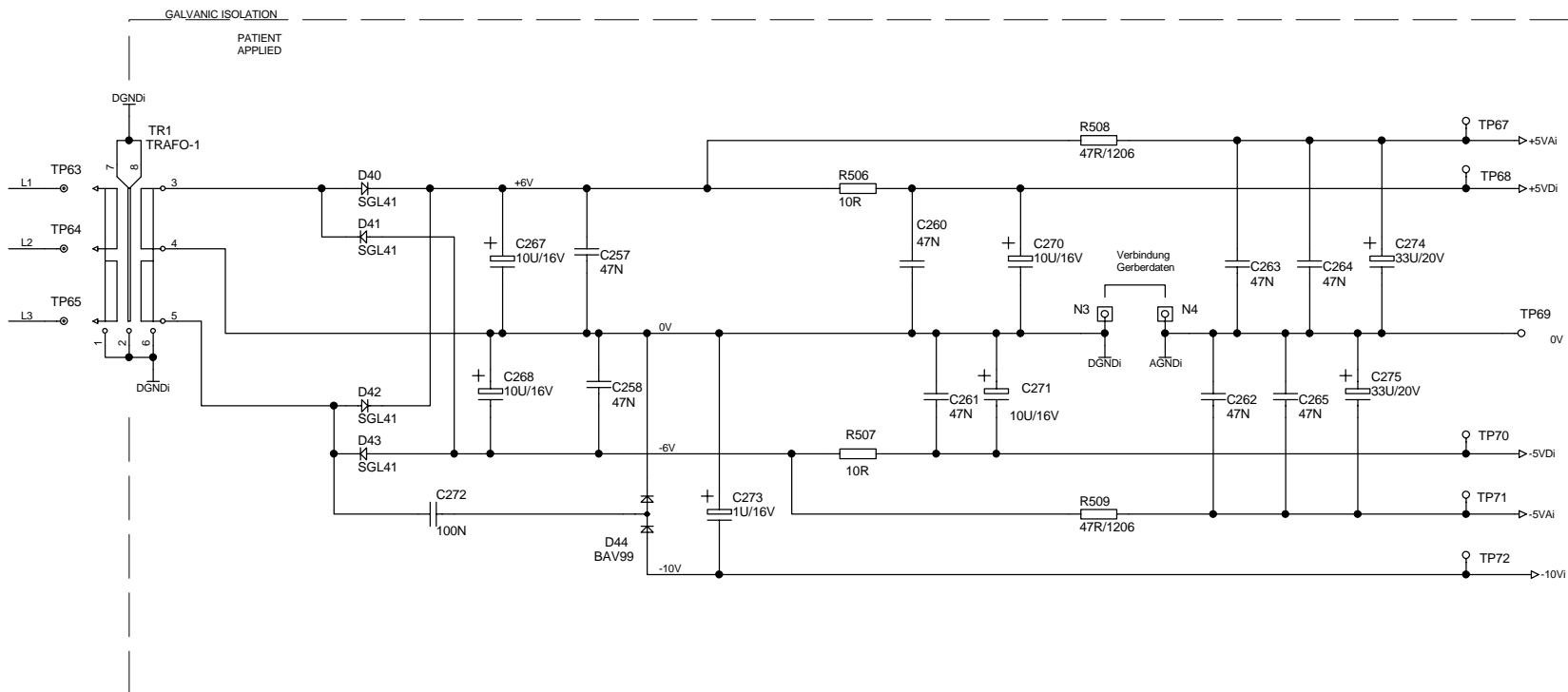
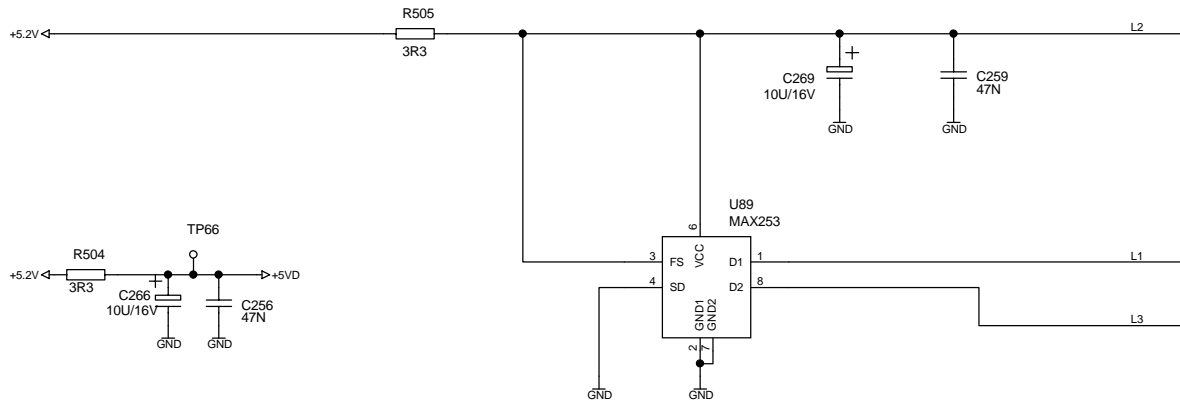
Date: 23.10.02

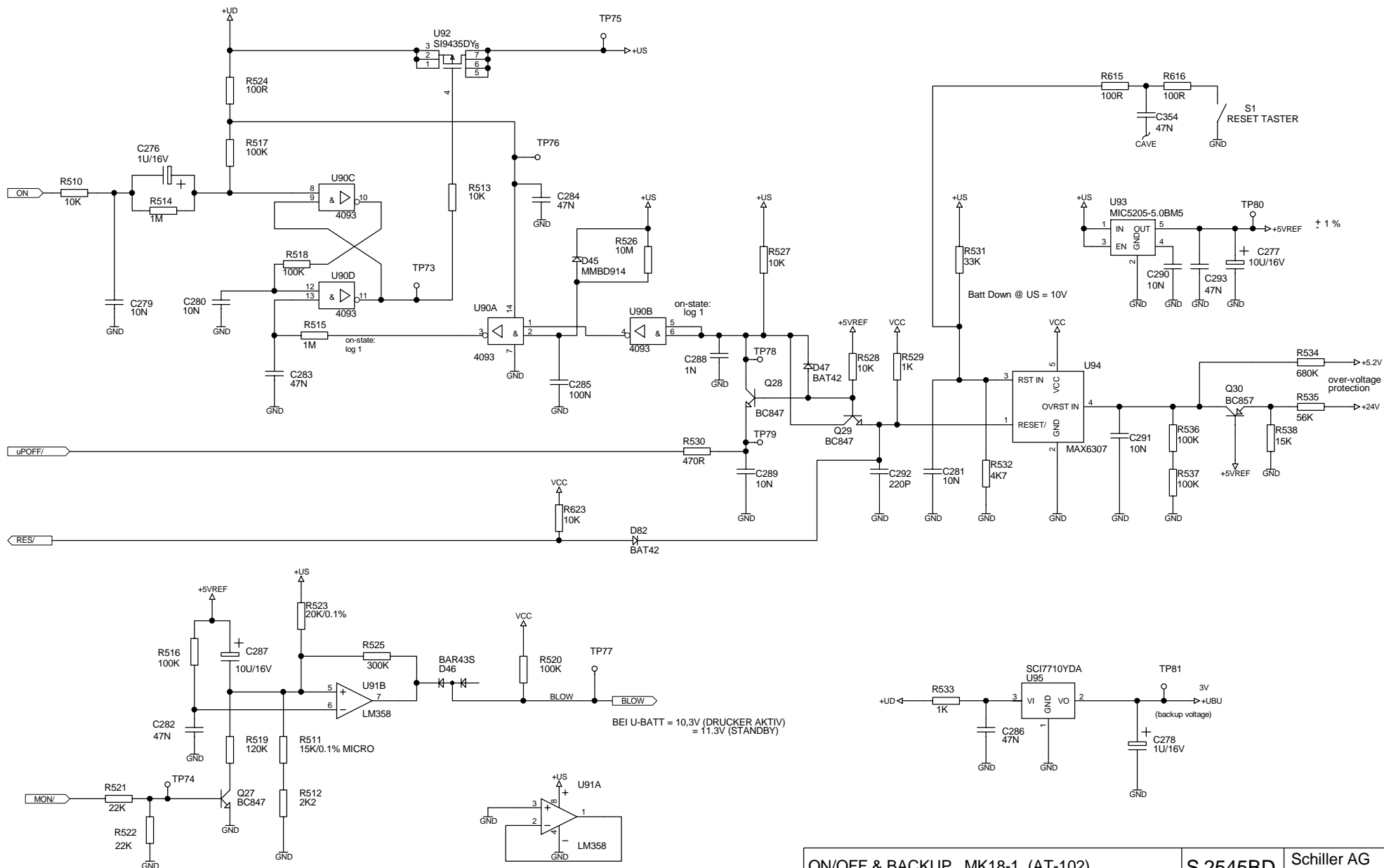
Sheet 18 of 25

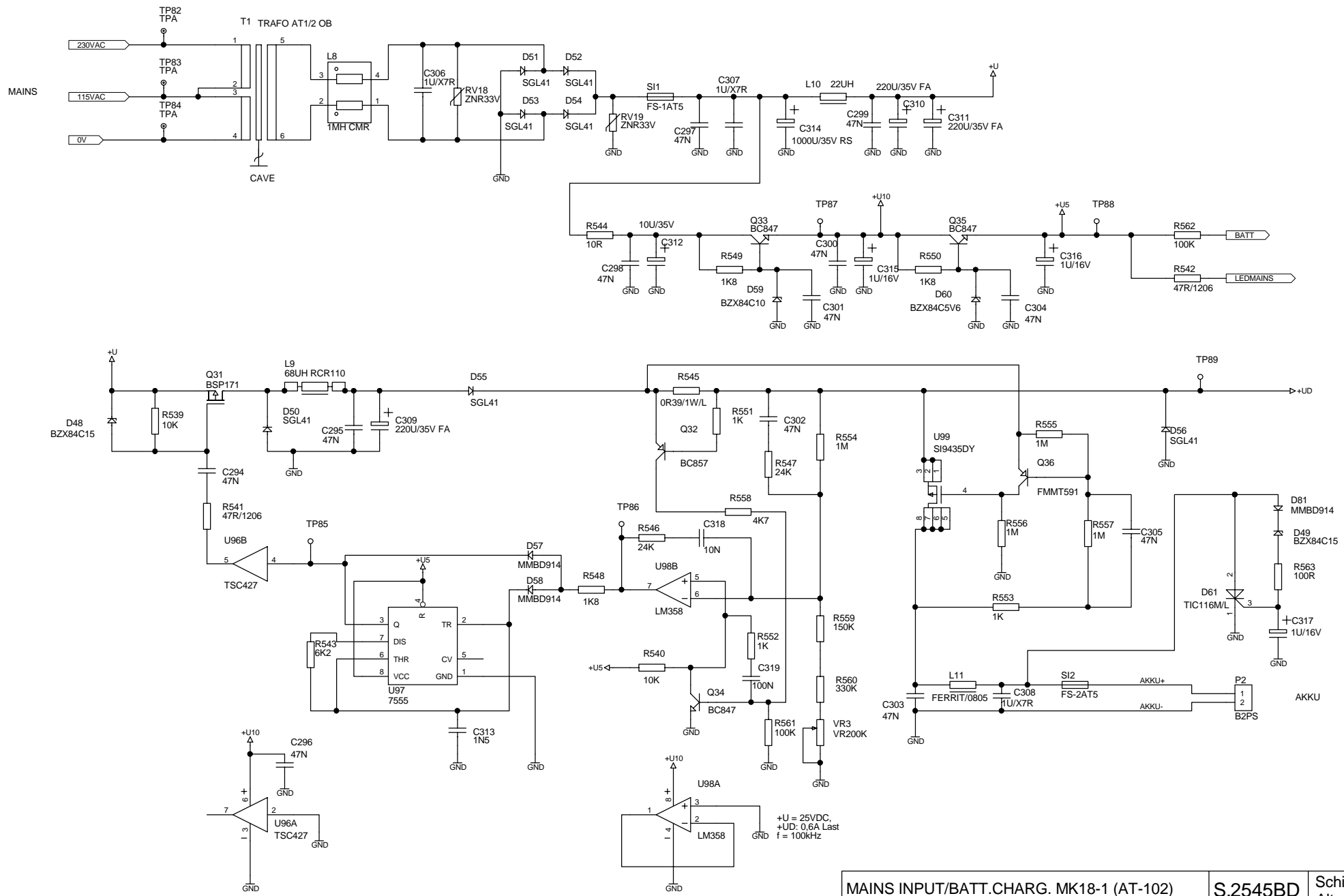


ECG CHANNEL LA + RA MK18-1 (AT-102)				S.2545BD	Schiller AG Altgasse 68 CH-6340 Baar
Size: A3	Drawn by: Gau	Entw: TM	Date: 23.10.02	Sheet 19 of 25	



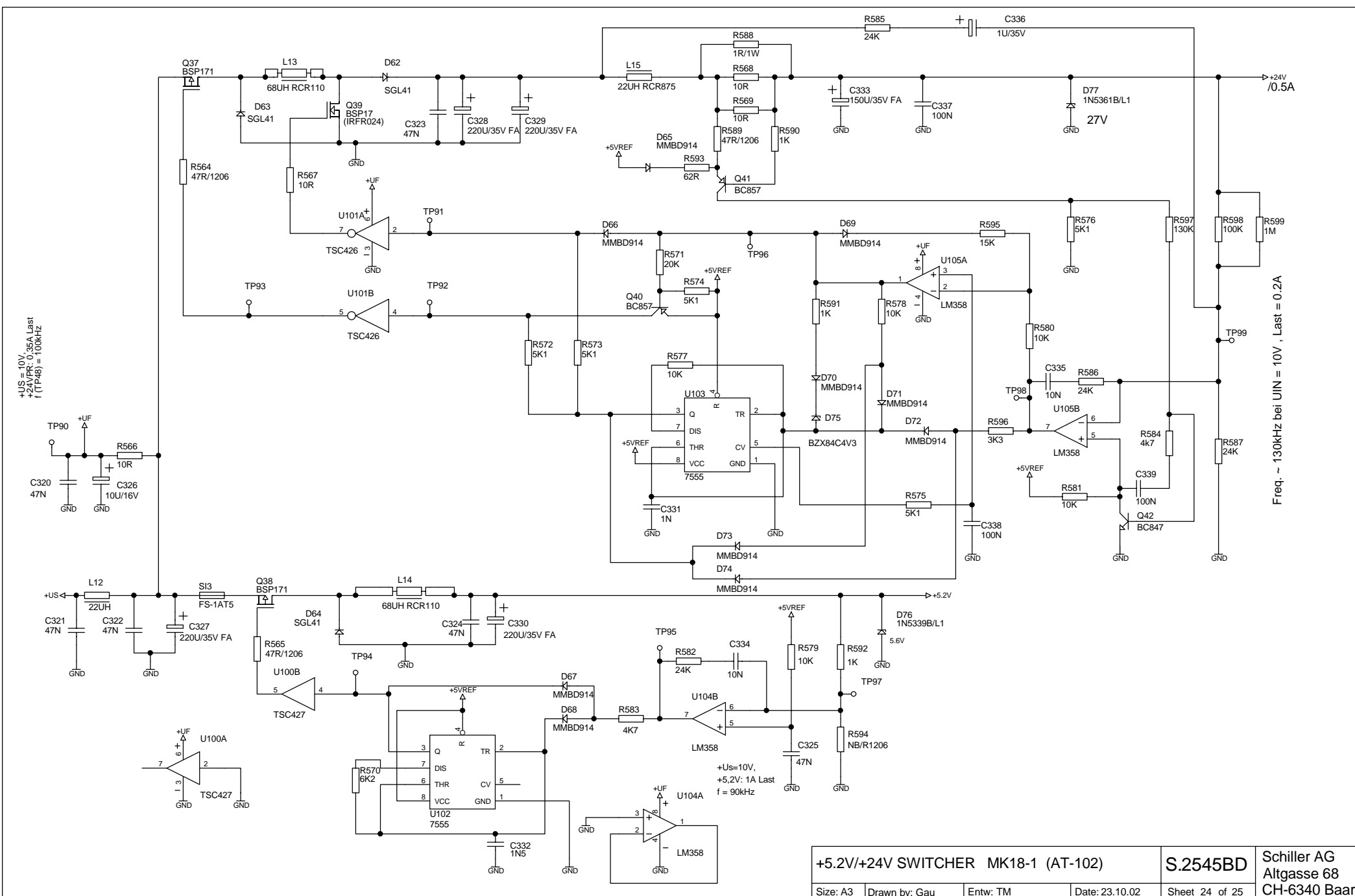






MAINS INPUT/BATT.CHARG. MK18-1 (AT-102)			S.2545BD	Schiller AG Altgasse 68 CH-6340 Baar
Size: A3	Drawn by: Gau	Entw: TM	Date: 23.10.02	Sheet 23 of 25

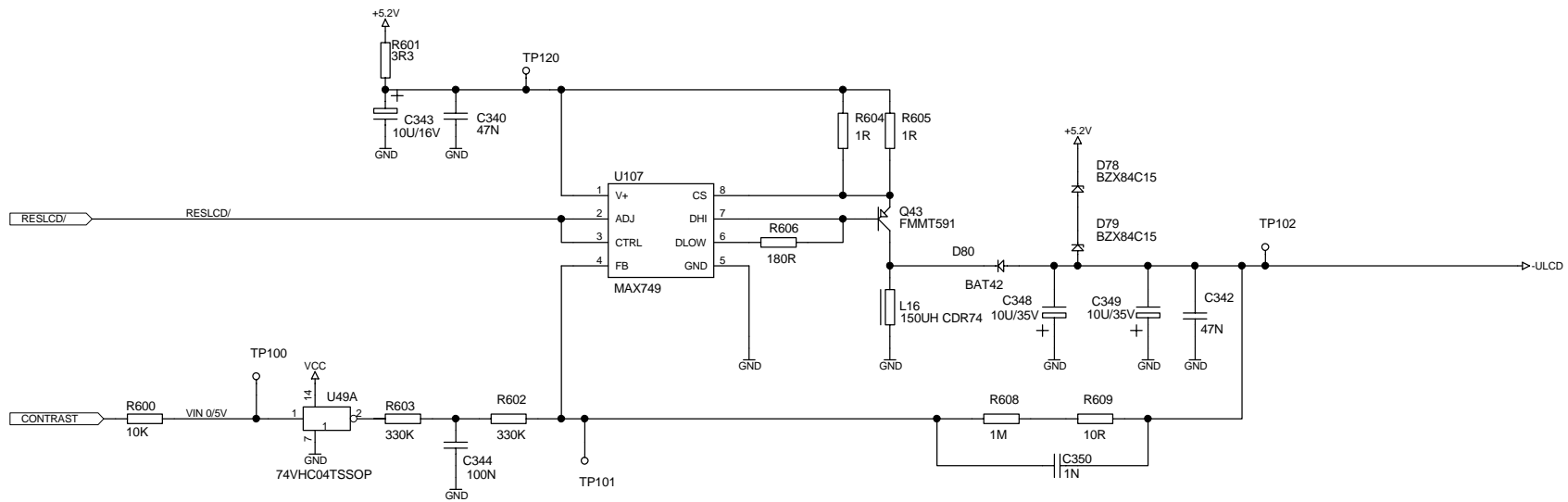




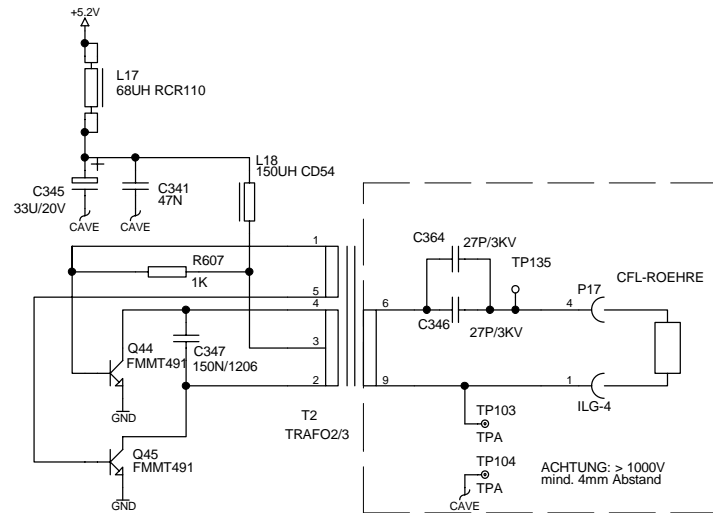
+Us = 10V,  
+24V/PR: 0,35A Last  
f (TP48) = 100kHz

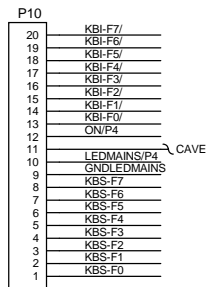
Freq. ~ 130kHz bei U<sub>IN</sub> = 10V, Last = 0.2A

<b>+5.2V/+24V SWITCHER MK18-1 (AT-102)</b>		<b>S.2545BD</b>	Schiller AG Altgasse 68 CH-6340 Baar
Size: A3	Drawn by: Gau	Entw: TM	Date: 23.10.02
Sheet 24 of 25			



VOUT : -16 to -21VDC  
 I@ : 8mA  
 I MAX: 20mA





NB/WANNE-20

