

Atlas Copco Stationary Air Compressors

GA 30+, GA 37+, GA 45+, GA 55, GA 75 Aircooled
GA 30+, GA 37+, GA 45+, GA 55, GA 75 Watercooled

Parts list

From following serial No. onwards:
API - 507 438

- Copyright 2006, Atlas Copco Airpower n.v., Antwerp, Belgium.
Any unauthorized use or copying of the contents or any part thereof is prohibited.
This applies in particular to trademarks, model denominations, part numbers and drawings.
- **Use only authorized parts.** Any damage or malfunction caused by the use of unauthorized parts is not covered by Warranty or Product Liability.

No. 2930 7000 01

Registration code : APC GA30-55 C / 39

2006-06

www.atlascopco.com

Atlas Copco

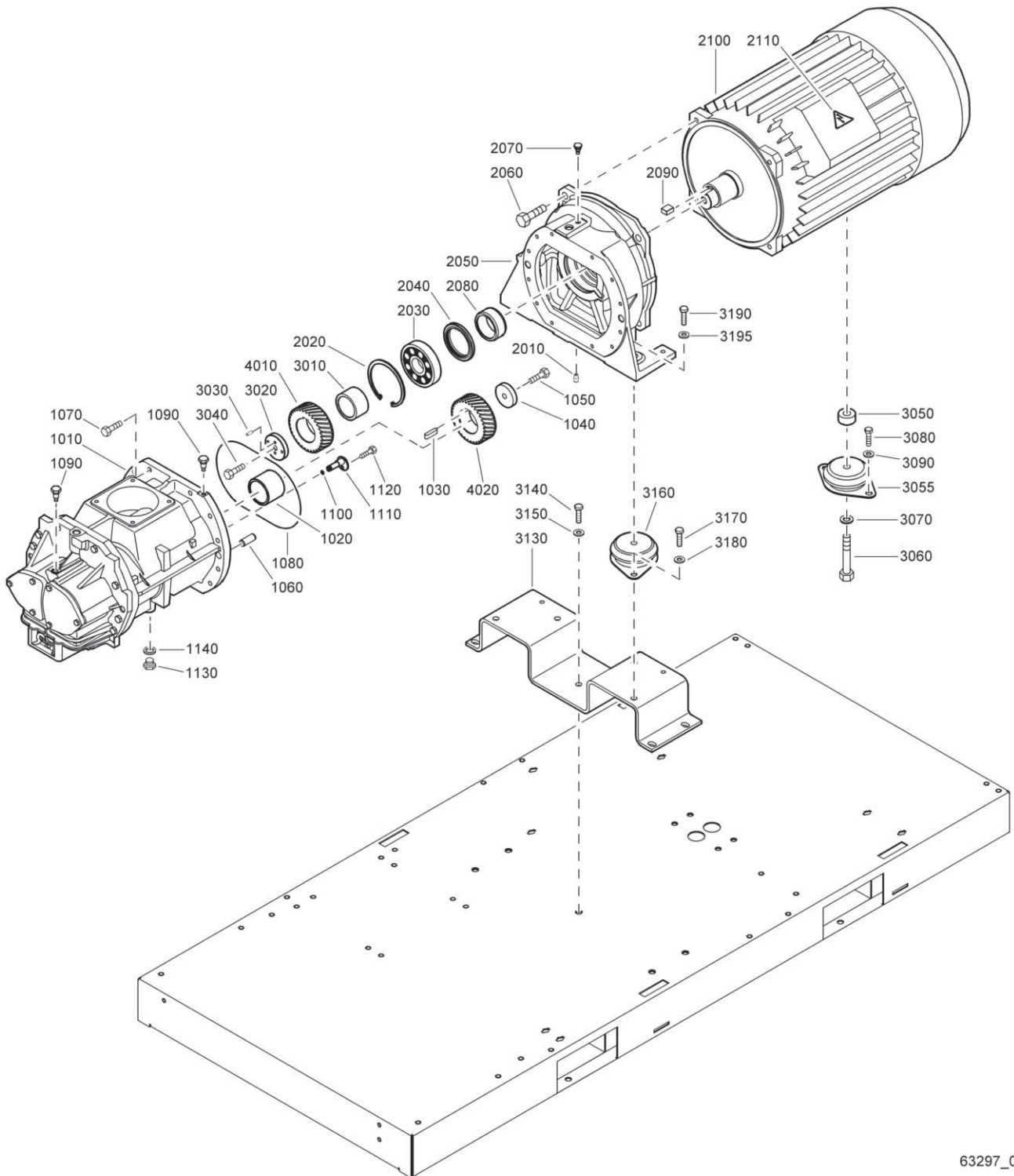
Contents	Indice
Inhoud	Inhoudsfortegnelse
Innehåll	Índice
Inhaltsverzeichnis	Índholdsfortegnelse
Table des matières	Sisällysluettelo
Indice	

Compressor element(s) and drive gear	Air flow and cooling system	
Compressorelement(en) en aandrijving	Luchtstroming en koelsysteem	
Kompressorelement och drivning	Luftflöde och kylsystem	
Kompressorelement(e) und Antrieb	Luftstrom und Kühlsystem	
Elément(s) compresseur(s) et entraînement	Flux d'air et circuit de refroidissement	
Elemento(s) compresor(es) y accionamiento	Flujo de aire y sistema de refrigeración	
Elemento(i) compressore e ingranaggi di azionamento	Flusso d'aria e sistema di raffreddamento	
Kompressorelement og drivhjul	Luftflow og kølesystem	
Elemento(s) compresor(es) e accionamento	Fluxo de ar e sistema de arrefecimento	
Kompressorelement(er) og drivgir	Luftstrøm og kjølesystem	
Kompressorielementit ja voimansiirto 1	Ilman virtaus ja jäähdytysjärjestelmä	
Air inlet	- GA (A) 5	
Luchtinlaat	- GA (W) 6	
Luftintag		
Lufteinlaß		
Admission d'air	Oil system	
Entrada de aire	Oliesysteem	
Presa d'aria	Oljesystem	
Luftindsug	Ölsystem	
Admissão de ar	Système d'huile	
Luftinnløp	Sistema de aceite	
Tuloilma 2	Sistema dell'olio	
Unloader	Oliesystem	
Ontlader	Sistema de óleo	
Avlastningsenhet	Oljesystem	
Entlastungsvorrichtung	Voitelujärjestelmä 7	
Déchargeur	Air outlet	
Descargador	Luchtuitlaat	
Gruppo di messa a vuoto	Luftutlopp	
Aflaster	Luftauslaß	
Sistema de descarga	Sortie d'air	
Avlaster	Salida de aire	
Kevennin 3	Mandata dell'aria	
Air receiver	Luftafgang	
Luchtketel	Saida de ar	
Luftbehållare	Luftutløp	
Luftbehälter	Paineilmaputki	
Réservoir d'air	- Pack - GA (A) 8	
Depósito de aire	- Pack - GA (W) 9	
Serbatoio dell'aria	- Full Feature - GA (A) 10	
Oliebeholder	- Full Feature - GA (W) 11	
Reservatório de ar		
Luftbeholder		
Ilmasäiliö 4		

Contents	Indice
Inhoud	Innholdsfortegnelse
Innehåll	Índice
Inhaltsverzeichnis	Indholdsfortegnelse
Table des matières	Sisällysluettelo
Indice	

Air dryer	Bodywork	
Luchtdroger	Carrosserie	
Lufttorkare	Karosseri	
Lufttrockner	Karosserie	
Sécheur d'air	Capotage	
Secador de aire	Carroceria	
Essiccatore d'aria	Cappottatura	
Lufttørrer	Karosseri	
Secador de ar	Carroceria	
Lufttørker	Kabinett	
Kuivain	Kotelo 19	
- Full Feature 12	Service kits	
Drain system	Service kits	
Aftapsysteem	Service Kits	
Avtappingssystem	Service kits	
Abläßsystem	Service kits	
Système de vidange	Kit per la manutenzione	
Sistema de drenaje	Service kits	
Sistema di scarico	Conjuntos de reparação	
Dränsystem	Servicesett	
Sistema de drenagem de condensados	Huoltotarvikesarjat 20	
Avtappingssystem		
Lauhteenpoistojärjestelmä		
- Pack - GA (A) 13		
- Pack - GA (W) 14		
- Full Feature - GA (A) 15		
- Full Feature - GA (W) 16		
Start cubicle		
Startkast		
Startskåp		
Anlaßschrank		
Armoire de démarrage		
Cubículo de arranque		
Armadio apparecch. di avviamento		
Starterskab		
Cubículo-arranque		
Startskap		
Käynnistinkotelo		
- CSA/UL 17		
- IEC 18		

1



63297_01

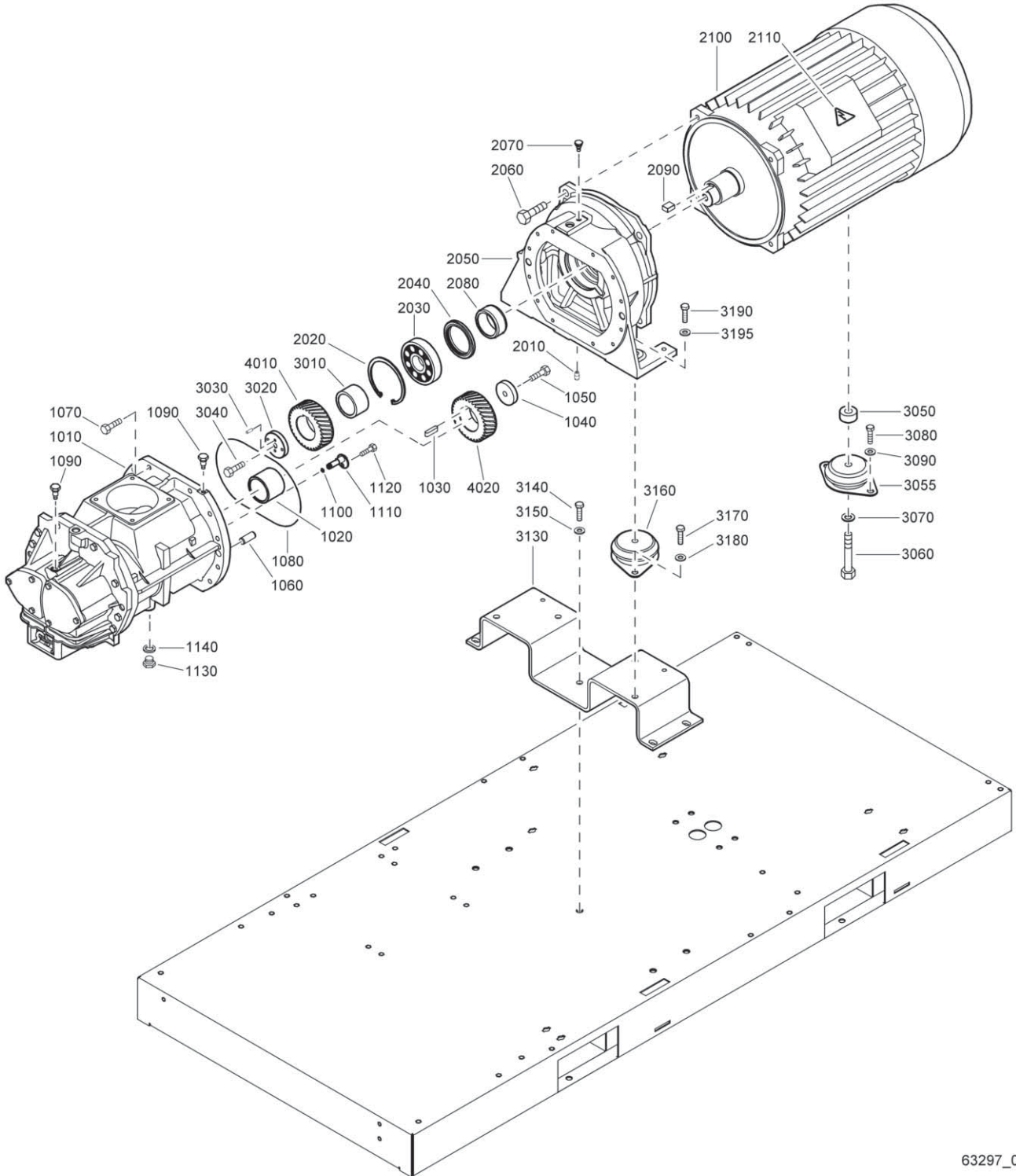
63297_01

Compressor element(s) and drive gear

1

Ref.	Part number	Qty	Name	Remarks	Ref.	Part number	Qty	Name	Remarks
1010	1616 7281 90	1	Service stage		1080	4213 14		GA 30+ (A/W)	
1020	1622 5541 00	1	Spacer					CSA/UL 575V/60Hz	
1030	0337 6051 00	1	Parallel key		1080	4214 01		GA 37+ (A/W)	
1040	1622 5593 00	1	Spacer					IEC 200V/50Hz	
1050	0147 1409 03	1	Hexagon bolt		1080	4214 11		GA 37+ (A/W)	
1060	0101 1951 40	2	Pin					CSA/UL 200V/60Hz	
1070	0147 1364 03	12	Hexagon bolt		1080	4214 02		GA 37+ (A/W)	
1080	0663 2103 22	1	O-ring					IEC 230V/50Hz	
1090	1619 6032 00	2	Nipple		1080	4214 12		GA 37+ (A/W)	
1100	0663 2107 84	1	O-ring					IEC 230V/60Hz	
1110	1622 5542 00	1	Oil nozzle		1080	4214 13		GA 37+ (A/W)	
1120	0147 1322 03	1	Hexagon bolt					IEC 380V/60Hz	
1130	0686 3716 01	1	Hexagon plug		1080	4214 04		GA 37+ (A/W)	
1140	0661 1000 38	1	Seal washer					IEC 400V/50Hz	
2010	1622 3740 00	1	Drain nipple		1080	4214 17		GA 37+ (A/W)	
2020		1	Circlip					CSA/UL 460V/60Hz	
	0335 2173 00		GA 30+		1080	4214 06		GA 37+ (A/W)	
	0335 2173 00		GA 37+					IEC 500V/50Hz	
	0335 2173 00		GA 45+		1080	4214 14		GA 37+ (A/W)	
	0335 2178 00		GA 55					CSA/UL 575V/60Hz	
	0335 2178 00		GA 75		1080	4247 01		GA 45+ (A/W)	
2030		1	Bearing					IEC 200V/50Hz	
	0508 1100 34		GA 30+		1080	4247 11		GA 45+ (A/W)	
	0508 1100 34		GA 37+					CSA/UL 200V/60Hz	
	0508 1100 34		GA 45+		1080	4247 02		GA 45+ (A/W)	
	0508 1100 98		GA 55					IEC 230V/50Hz	
	0508 1100 98		GA 75		1080	4247 12		GA 45+ (A/W)	
2040		1	Seal					IEC 230V/60Hz	
	1622 4628 00		GA 30+		1080	4247 13		GA 45+ (A/W)	
	1622 4628 00		GA 37+					IEC 380V/60Hz	
	1622 4628 00		GA 45+		1080	4247 04		GA 45+ (A/W)	
	1616 5517 00		GA 55					IEC 400V/50Hz	
	1616 5517 00		GA 75		1080	4247 17		GA 45+ (A/W)	
2050		1	Gearbox					CSA/UL 460V/60Hz	
	1622 4618 00		GA 30+		1080	4247 06		GA 45+ (A/W)	
	1622 4618 00		GA 37+					IEC 500V/50Hz	
	1622 4618 00		GA 45+		1080	4247 14		GA 45+ (A/W)	
	1622 4619 00		GA 55					CSA/UL 575V/60Hz	
	1622 4619 00		GA 75		1080	4241 61		GA 55 (A/W)	
2060	0147 1477 03	4	Hexagon bolt					CSA/UL 200V/60Hz	
2070	1619 6032 00	1	Nipple(spm)		1080	4241 52		GA 55 (A/W)	
2080		1	Bushing					IEC 230V/50Hz	
	1622 3106 00		GA 30+		1080	4241 62		GA 55 (A/W)	
	1622 3106 00		GA 37+					IEC 230V/60Hz	
	1622 3106 00		GA 45+		1080	4241 53		GA 55 (A/W)	
	1622 3665 00		GA 55					IEC 380V/60Hz	
	1622 3665 00		GA 75		1080	4241 54		GA 55 (A/W)	
2090	0337 0009 69	1	Key					IEC 400V/50Hz	
2100		1	Motor		1080	4241 67		GA 55 (A/W)	
	1080 4213 01		GA 30+ (A/W)					CSA/UL 460V/60Hz	
			IEC 200V/50Hz		1080	4241 56		GA 55 (A/W)	
	1080 4213 11		GA 30+ (A/W)					IEC 500V/50Hz	
			CSA/UL 200V/60Hz		1080	4241 64		GA 55 (A/W)	
	1080 4213 02		GA 30+ (A/W)					CSA/UL 575V/60Hz	
			IEC 230V/50Hz		1080	4242 61		GA 75 (A/W)	
	1080 4213 12		GA 30+ (A/W)					CSA/UL 200V/60Hz	
			IEC 230V/60Hz		1080	4242 52		GA 75 (A/W)	
	1080 4213 13		GA 30+ (A/W)					IEC 230V/50Hz	
			IEC 380V/60Hz		1080	4242 62		GA 75 (A/W)	
	1080 4213 04		GA 30+ (A/W)					IEC 230V/60Hz	
			IEC 400V/50Hz		1080	4242 53		GA 75 (A/W)	
	1080 4213 17		GA 30+ (A/W)					IEC 380V/60Hz	
			CSA/UL 460V/60Hz		1080	4242 54		GA 75 (A/W)	
	1080 4213 06		GA 30+ (A/W)					IEC 400V/50Hz	
			IEC 500V/50Hz						

1



63297_01

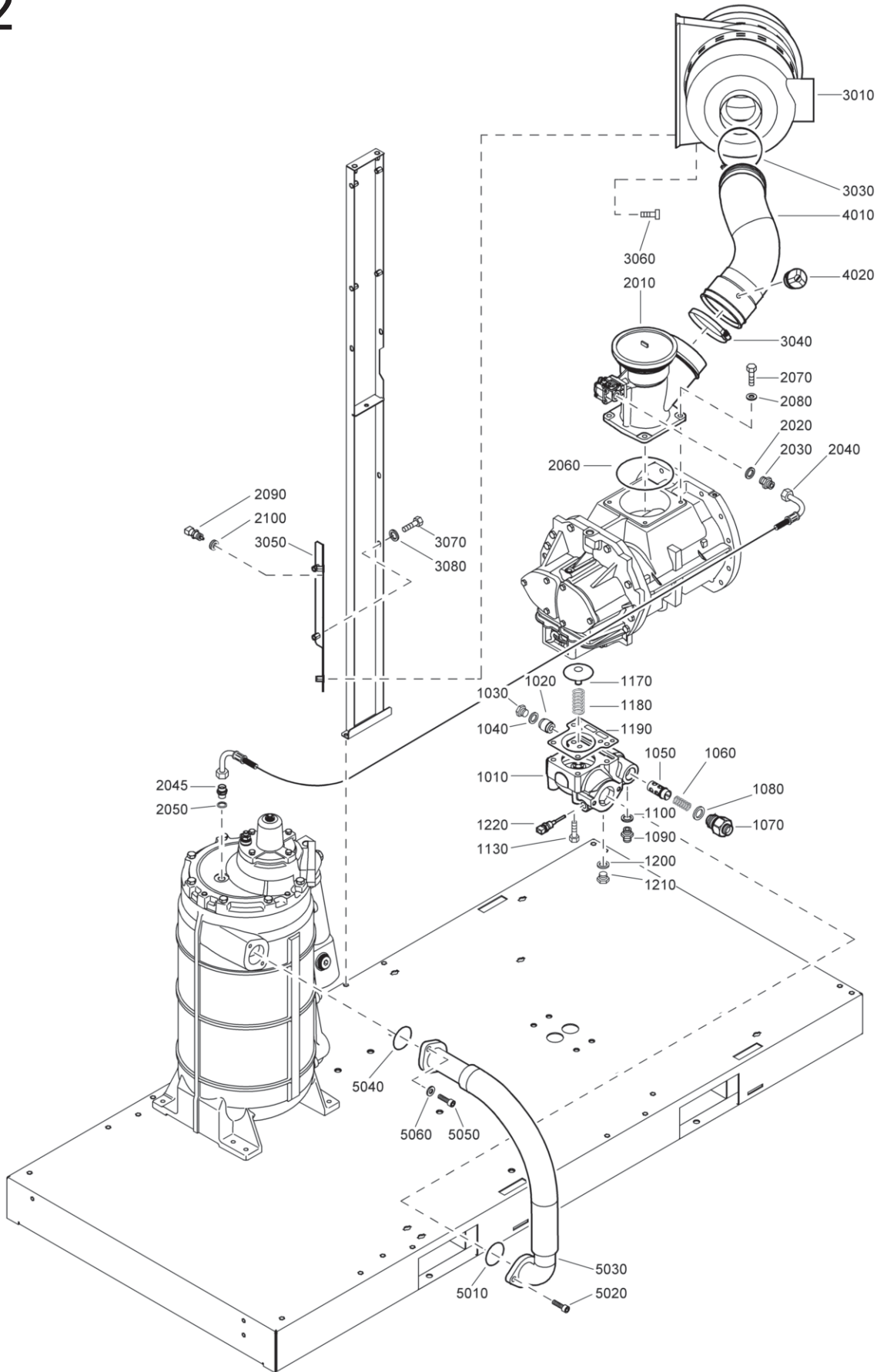
63297_01

Compressor element(s) and drive gear

1

Ref.	Part number	Qty	Name	Remarks	Ref.	Part number	Qty	Name	Remarks
	1080 4242 67		GA 75 (A/W)			1622 3110 35		GA 45+ (A/W) - 100 psig	
			CSA/UL 460V/60Hz			1622 3110 71		GA 45+ (A/W) - 125 psig	
	1080 4242 56		GA 75 (A/W)			1622 3110 25		GA 45+ (A/W) - 150 psig	
			IEC 500V/50Hz			1622 3110 19		GA 45+ (A/W) - 175 psig	
	1080 4242 64		GA 75 (A/W)			1622 3110 49		GA 55 (A/W) - 7.5 bar(e)	
			CSA/UL 575V/60Hz			1622 3110 45		GA 55 (A/W) - 8 bar(e)	
2110	1088 1001 03	1	Warning mark			1622 3110 63		GA 55 (A/W) - 10 bar(e)	
3010		1	Spacer			1622 3110 39		GA 55 (A/W) - 13 bar(e)	
	1622 3108 00		GA 30+			1622 3110 43		GA 55 (A/W) - 100 psig	
	1622 3108 00		GA 37+			1622 3110 39		GA 55 (A/W) - 125 psig	
	1622 3108 00		GA 45+			1622 3110 33		GA 55 (A/W) - 150 psig	
	1622 3120 00		GA 55			1622 3110 71		GA 55 (A/W) - 175 psig	
	1622 3120 00		GA 75			1622 3110 59		GA 75 (A/W) - 7.5 bar(e)	
3020	1622 3105 00	1	Spacer			1622 3110 55		GA 75 (A/W) - 8 bar(e)	
3030	0101 2313 00	2	Pin			1622 3110 53		GA 75 (A/W) - 10 bar(e)	
3040	0147 1403 03	1	Hexagon bolt			1622 3110 49		GA 75 (A/W) - 13 bar(e)	
3050		1	Spacer			1622 3110 51		GA 75 (A/W) - 100 psig	
	1622 3152 02		GA 30+			1622 3110 47		GA 75 (A/W) - 125 psig	
	1622 3152 02		GA 37+			1622 3110 63		GA 75 (A/W) - 150 psig	
	1622 3152 02		GA 45+			1622 3110 43		GA 75 (A/W) - 175 psig	
	1622 3152 01		GA 55		4020	1	Gear driven		
	1622 3152 01		GA 75			1622 3110 26		GA 30+ (A/W) - 7.5 bar(e)	
3055		1	Antivibr.pad			1622 3110 24		GA 30+ (A/W) - 8 bar(e)	
	1613 6752 13		GA 30+			1622 3110 16		GA 30+ (A/W) - 10 bar(e)	
	1613 6752 13		GA 37+			1622 3110 10		GA 30+ (A/W) - 13 bar(e)	
	1613 6752 13		GA 45+			1622 3110 16		GA 30+ (A/W) - 100 psig	
	1613 6752 19		GA 55			1622 3110 12		GA 30+ (A/W) - 125 psig	
	1613 6752 19		GA 75			1622 3110 08		GA 30+ (A/W) - 150 psig	
3060		1	Hexagon bolt			1622 3110 04		GA 30+ (A/W) - 175 psig	
	0147 1492 03		GA 30+			1622 3110 36		GA 37+ (A/W) - 7.5 bar(e)	
	0147 1492 03		GA 37+			1622 3110 34		GA 37+ (A/W) - 8 bar(e)	
	0147 1492 03		GA 45+			1622 3110 28		GA 37+ (A/W) - 10 bar(e)	
	0147 1963 07		GA 55			1622 3110 18		GA 37+ (A/W) - 13 bar(e)	
	0147 1963 07		GA 75			1622 3110 68		GA 37+ (A/W) - 100 psig	
3070	0301 2378 00	1	Washer			1622 3110 70		GA 37+ (A/W) - 125 psig	
3080	0147 1400 03	2	Hexagon bolt			1622 3110 16		GA 37+ (A/W) - 150 psig	
3090	0301 2358 00	2	Washer			1622 3110 14		GA 37+ (A/W) - 175 psig	
3130	1622 3135 00	1	Support frame			1622 3110 44		GA 45+ (A/W) - 7.5 bar(e)	
3140	0147 1400 03	5	Hexagon bolt			1622 3110 42		GA 45+ (A/W) - 8 bar(e)	
3150	0301 2358 00	5	Washer			1622 3110 38		GA 45+ (A/W) - 10 bar(e)	
3160	1613 6752 12	2	Antivibr.pad			1622 3110 30		GA 45+ (A/W) - 13 bar(e)	
3170	0147 1400 03	4	Hexagon bolt			1622 3110 36		GA 45+ (A/W) - 100 psig	
3180	0301 2358 00	4	Washer			1622 3110 72		GA 45+ (A/W) - 125 psig	
3190	0147 1479 03	2	Hexagon bolt			1622 3110 26		GA 45+ (A/W) - 150 psig	
3195	0301 2378 00	2	Washer			1622 3110 20		GA 45+ (A/W) - 175 psig	
4010		1	Gear drive			1622 3110 50		GA 55 (A/W) - 7.5 bar(e)	
	1622 3110 25		GA 30+ (A/W) - 7.5 bar(e)			1622 3110 46		GA 55 (A/W) - 8 bar(e)	
	1622 3110 23		GA 30+ (A/W) - 8 bar(e)			1622 3110 64		GA 55 (A/W) - 10 bar(e)	
	1622 3110 15		GA 30+ (A/W) - 10 bar(e)			1622 3110 40		GA 55 (A/W) - 13 bar(e)	
	1622 3110 09		GA 30+ (A/W) - 13 bar(e)			1622 3110 44		GA 55 (A/W) - 100 psig	
	1622 3110 15		GA 30+ (A/W) - 100 psig			1622 3110 40		GA 55 (A/W) - 125 psig	
	1622 3110 11		GA 30+ (A/W) - 125 psig			1622 3110 34		GA 55 (A/W) - 150 psig	
	1622 3110 07		GA 30+ (A/W) - 150 psig			1622 3110 72		GA 55 (A/W) - 175 psig	
	1622 3110 03		GA 30+ (A/W) - 175 psig			1622 3110 60		GA 75 (A/W) - 7.5 bar(e)	
	1622 3110 35		GA 37+ (A/W) - 7.5 bar(e)			1622 3110 56		GA 75 (A/W) - 8 bar(e)	
	1622 3110 33		GA 37+ (A/W) - 8 bar(e)			1622 3110 54		GA 75 (A/W) - 10 bar(e)	
	1622 3110 27		GA 37+ (A/W) - 10 bar(e)			1622 3110 50		GA 75 (A/W) - 13 bar(e)	
	1622 3110 17		GA 37+ (A/W) - 13 bar(e)			1622 3110 52		GA 75 (A/W) - 100 psig	
	1622 3110 67		GA 37+ (A/W) - 100 psig			1622 3110 48		GA 75 (A/W) - 125 psig	
	1622 3110 69		GA 37+ (A/W) - 125 psig			1622 3110 64		GA 75 (A/W) - 150 psig	
	1622 3110 15		GA 37+ (A/W) - 150 psig			1622 3110 44		GA 75 (A/W) - 175 psig	
	1622 3110 13		GA 37+ (A/W) - 175 psig						
	1622 3110 43		GA 45+ (A/W) - 7.5 bar(e)						
	1622 3110 41		GA 45+ (A/W) - 8 bar(e)						
	1622 3110 37		GA 45+ (A/W) - 10 bar(e)						
	1622 3110 29		GA 45+ (A/W) - 13 bar(e)						

2

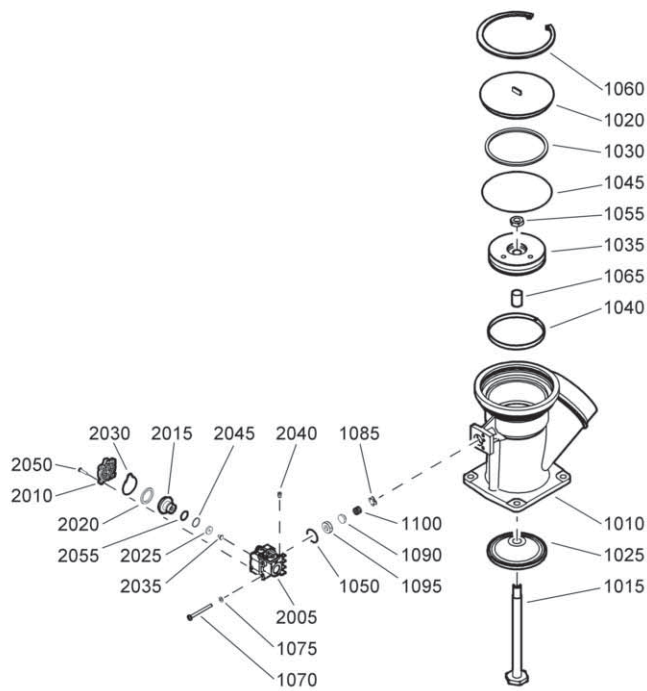


63298_02

Air inlet

Ref.	Part number	Qty	Name	Remarks	Ref.	Part number	Qty	Name	Remarks
1010	1622 4639 00	1	Body				1	Filter element	
1020	1613 2359 00	1	Piston			1613 7408 00		GA 30+	
1030	0686 3716 07	1	Hexagon plug			1613 7408 00		GA 37+	
1040	0661 1000 44	1	Seal washer			1613 7408 00		GA 45+	
1050	1613 8907 00	1	Valve body			1622 1855 01		GA 55	
1060	1613 2357 00	1	Spring			1622 1855 01		GA 75	
1070	1622 5565 00	1	Nipple		3030	0347 6115 00	1	Hose clip	
1080	0663 3130 00	1	O-ring		3040	0347 6115 00	1	Hose clip	
1090	1079 5840 19	1	Nipple		3050	1622 3146 00	1	Plate filter	
1100	0661 1000 39	1	Seal washer		3060	0147 1963 08	2	Hexagon bolt	
1130	0147 1377 03	4	Hexagon bolt		3070		2	Hexagon bolt	
1170	1622 9639 00	1	Valve			0147 1363 03		GA 30+	
1180	1622 0796 00	1	Spring			0147 1363 03		GA 37+	
1190	1622 4664 00	1	Gasket			0147 1363 03		GA 45+	
1200	0661 1000 38	1	Seal washer			0147 1327 03		GA 55	
1210	0686 3716 01	1	Hex. plug			0147 1327 03		GA 75	
1220	1089 0574 55	1	Temp.sensor		3080	0301 2344 00	2	Washer	
2010	<<<< >>>>	1	Unloader				1	Air hose assembly	
2020	0661 1000 40	1	Seal washer			1622 3129 81		GA 30+	
2030	1079 5840 03	1	Nipple			1622 3129 81		GA 37+	
2040	0574 9914 18	1	Hose assembly			1622 3129 81		GA 45+	
2045	1079 5840 03	1	Nipple			1622 3199 81		GA 55	
2050	0661 1000 40	1	Seal washer			1622 3199 81		GA 75	
2060	0663 7150 00	1	O-ring		4010		1	Air hose	
2070	0147 1363 03	4	Hexagon bolt		4020	1613 7912 01	1	Indicator	
2080	0301 2344 00	4	Washer		5010	0663 7136 00	1	O-ring	
2090	1089 0574 12	1	Temp.sensor		5020	0211 1363 03	2	Cap screw	
2100	0989 4220 15	1	Grommet		5030	1622 3154 00	1	Pipe	
3010		1	Air filter assembly		5040	0663 7136 00	1	O-ring	
	1622 5073 80		GA 30+		5050	0211 1363 03	2	Cap screw	
	1622 5073 80		GA 37+		5060	0300 0274 55	2	Plain washer	
	1622 5073 80		GA 45+						
	1622 1854 01		GA 55						
	1622 1854 01		GA 75						

3

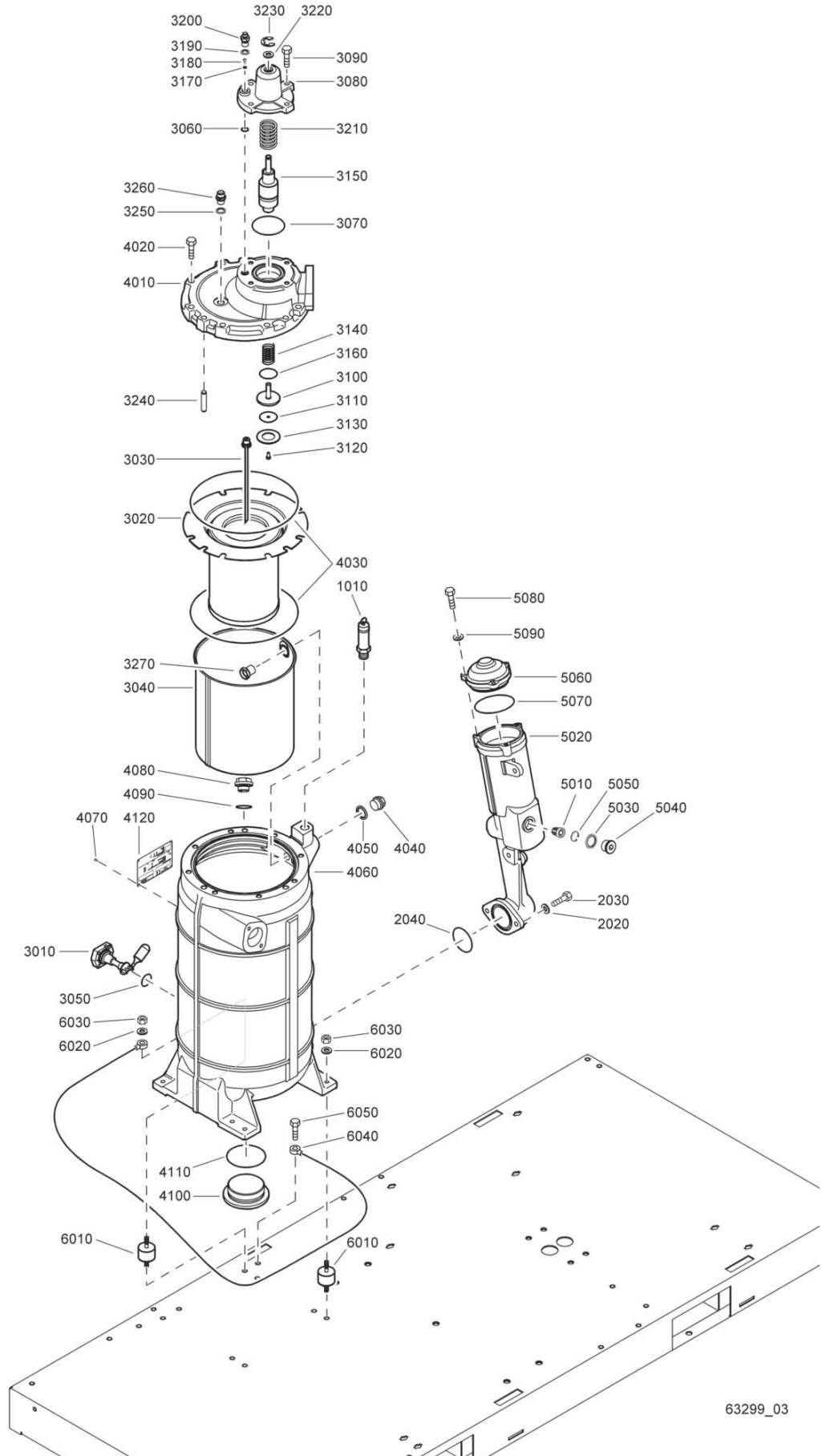


63012_20

Unloader valve

Ref.	Part number	Qty	Name	Remarks	Ref.	Part number	Qty	Name	Remarks
	1622 3162 80	1	Unloader assembly		1090	1622 3183 00 •	1	Seal	
1010	1622 3162 00 •	1	Housing		1095	1622 3184 00 •	1	Bushing	
1015	1622 3164 00 •	1	Rod		1100	1622 3185 00 •	1	Spring	
1020	1622 3163 00 •	1	Cover			1622 3694 80 •	1	Blow off valve	
1025	1613 6818 01 •	1	Valve		2005	1622 3694 00 ••	1	Housing	
1030	1622 3168 00 •	1	Ring		2010	1622 3694 01 ••	1	Cover	
1035	1622 3169 00 •	1	Piston		2015	1622 3694 02 ••	1	Piston	
1040	1622 3173 00 •	1	Tape		2020	1513 0477 00 ••	1	Piston ring	
1045	0663 7149 00 •	1	O-ring		2025	1622 3694 03 ••	1	Seal	
1050	0663 2111 55 •	1	O-ring		2030	1622 3694 04 ••	1	Seal	
1055	0261 1090 87 •	1	Nut		2035	1622 3694 05 ••	1	Rivet	
1060	0335 2179 00 •	1	Circlip		2040	1622 3694 06 ••	2	Insert	
1065	1622 3170 00 •	1	Bushing		2045	1622 3694 07 ••	1	Seal	
1070	0160 0996 86 •	2	Cross rec screw		2050	0226 3300 18 ••	4	Bolt	
1075	0301 2318 00 •	2	Washer		2055	0663 2112 69 ••	1	O-ring	
1085	1622 3182 00 •	1	Guide						

4



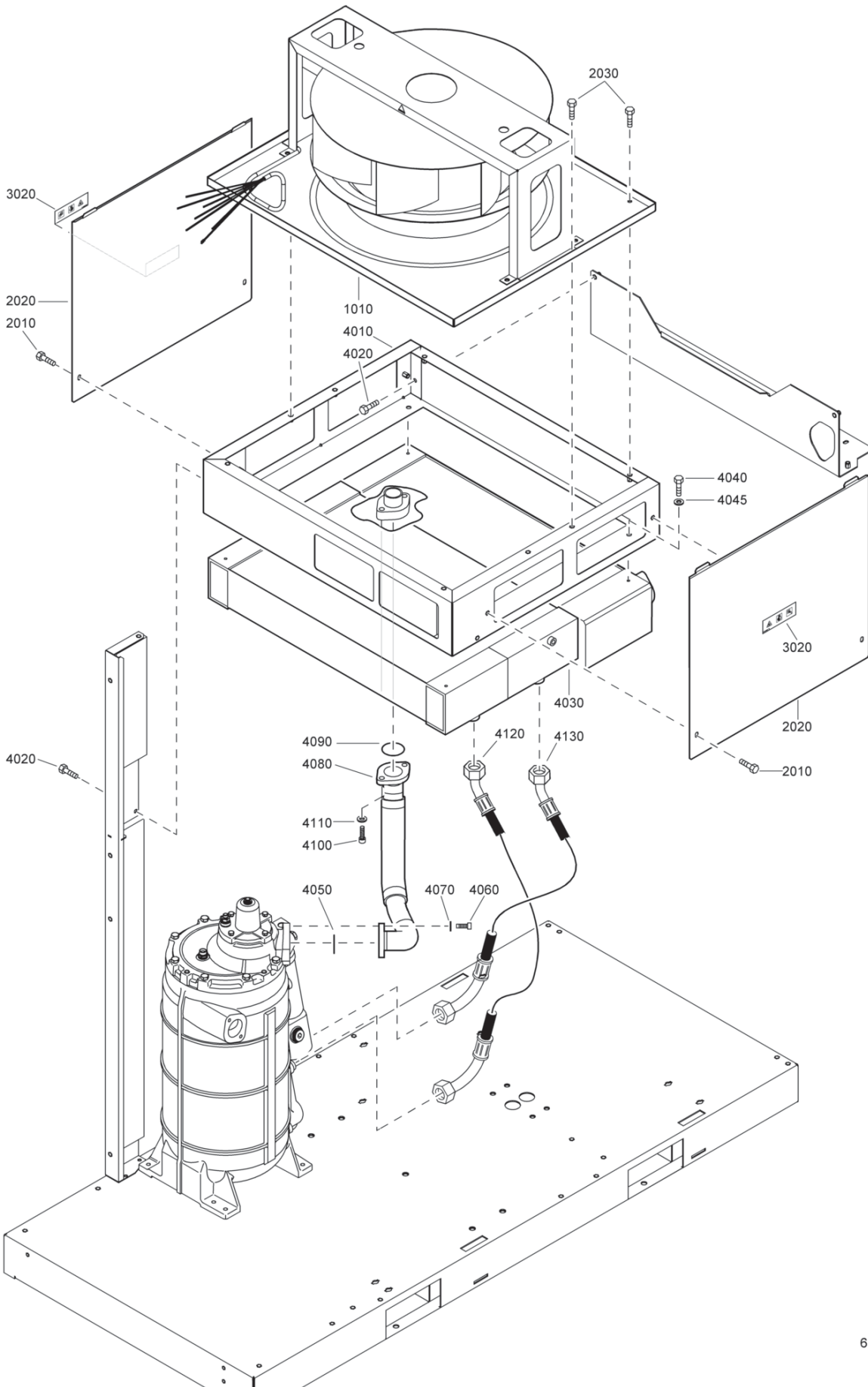
63299_03

Air receiver

4

Ref.	Part number	Qty	Name	Remarks	Ref.	Part number	Qty	Name	Remarks
1010		1	Safety valve		3160	0663 2101 01	• 1	O-ring	
	0832 1000 78		7.5 bar(e)		3170	0663 2108 11	• 1	O-ring	
	0832 1000 78		8 bar(e)		3180	1613 9005 01	• 1	Non return valve	
	0832 1000 78		10 bar(e)		3190	0661 1000 38	• 1	Seal washer	
	0832 1000 79		13 bar(e)		3200	1622 0164 00	• 1	Nipple	
	0830 1008 39		100 psig		3210	1622 3664 00	• 1	Spring	
	0830 1008 39		125 psig		3220	0301 2321 00	• 4	Washer	
	0830 1008 39		150 psig		3230	0335 3111 00	• 1	Retaining ring	
	0830 1008 40		175 psig		3240		• 1	Pin	
2020	0301 2321 00	4	Washer			0101 2465 00	2	GA 75 CE/ASME	
2030	0147 1249 03	4	Hexagon bolt			0101 1951 44	3	Others	
2040	0663 2102 15	1	O-ring		3250	0661 1000 40	• 1	Seal washer	
			Vessel assy		3260		• 1	Nipple	
	1622 5089 99		GA 30+ CE/ASME			1622 3693 00		GA 75 CE/ASME	
	1622 5089 99		GA 30+ ASME/LL			1079 5840 03		Others	
	1622 5089 82		GA 30+ LL/DIR		3270	1622 5078 00	• 1	Nipple	
	1622 5089 86		GA 30+ SQL				• 1	Vessel	
	1622 5089 85		GA 30+ MOL			1622 3100 99		CE/ASME	
	1622 5089 99		GA 37+ CE/ASME			1622 3100 99		ASME/LL	
	1622 5089 99		GA 37+ ASME/LL			1622 3100 82		LL/DIR	
	1622 5089 82		GA 37+ LL/DIR			1622 3100 86		SQL	
	1622 5089 86		GA 37+ SQL			1622 3100 95		MOL	
	1622 5089 85		GA 37+ MOL		4010	1622 3101 00	•• 1	Housing	
	1622 5089 99		GA 45+ CE/ASME		4020	0147 1960 64	•• 8	Hexagon bolt	
	1622 5089 99		GA 45+ ASME/LL		4030	0663 2113 20	•• 2	O-ring	
	1622 5089 82		GA 45+ LL/DIR		4040	0686 4206 00	•• 1	Hexagon plug	
	1622 5089 86		GA 45+ SQL		4050	0661 1000 43	•• 1	Seal washer	
	1622 5089 85		GA 45+ MOL		4060	1622 3100 00	•• 1	Vessel	
	1622 5089 99		GA 55 CE/ASME		4070	0244 4184 00	•• 4	Drive screw	
	1622 5089 99		GA 55 ASME/LL		4080	1202 8992 00	•• 1	Plug	
	1622 5089 82		GA 55 LL/DIR		4090	0663 2102 15	•• 1	O-ring	
	1622 5089 86		GA 55 SQL		4100	1622 3660 00	•• 1	Plug	
	1622 5089 85		GA 55 MOL		4110	0663 2111 17	•• 1	O-ring	
	1622 5695 99		GA 75 CE/ASME		4120		•• 1	Dataplate	
3010	1622 3659 00	• 1	Oil level gauge			1622 5524 01		CE/ASME	
3020		• 1	Oil separator			1622 5524 01		ASME/LL	
	1622 5693 00		GA 75 CE/ASME			1622 5524 00		LL/DIR	
	1622 3140 00		Others			1622 5524 00		MOL	
3030		• 1	Scavenge line			1622 5524 02		SQL	
	1622 5696 00		GA 75 CE/ASME			1622 3125 80	1	Oil filter assembly	
	1622 3157 00		Others		5010	1622 3143 00	• 1	By pass valve	
3040		• 1	Shield		5020		• 1	Oil filter pipe	
	1622 5694 00		GA 75 CE/ASME			1622 5699 00		GA 75 CE/ASME	
	1622 3138 00		Others			1622 3125 00		Others	
3050		•	O-ring		5030	0661 1000 43	• 1	Seal washer	
	0663 2113 24	1	GA 75 CE/ASME		5040	0686 6446 00	• 1	Plug	
	0663 2102 15	2	Others		5050	0335 2126 00	• 1	Circlip	
3060	0663 3120 00	• 1	O-ring		5060	1622 4614 00	• 1	Cover	
3070	0663 7139 00	• 1	O-ring		5070		• 1	O-ring	
3080	1622 3661 00	• 1	Cover			0663 2106 16		GA 75 CE/ASME	
3090		• 4	Hexagon bolt			0663 2113 16		Others	
	0147 1365 03		GA 75 CE/ASME		5080	0147 1325 03	• 3	Hexagon bolt	
	0147 1326 03		Others		5090	0301 2335 00	• 3	Washer	
3100	1613 3221 00	• 1	Piston valve		6010	0392 1100 28	4	Vibration damper	
3110	1613 3222 00	• 1	Washer		6020	0301 2335 00	4	Washer	
3120	0147 1244 03	• 1	Hexagon bolt		6030	0291 1110 00	4	Lock nut	
3130	1613 3223 01	• 1	Washer		6040	1613 8967 12	1	Cable	
3140	1622 3662 00	• 1	Spring		6050	0147 1963 08	1	Hexagon bolt	
3150	1622 3663 00	• 1	Piston						

5



63300_04

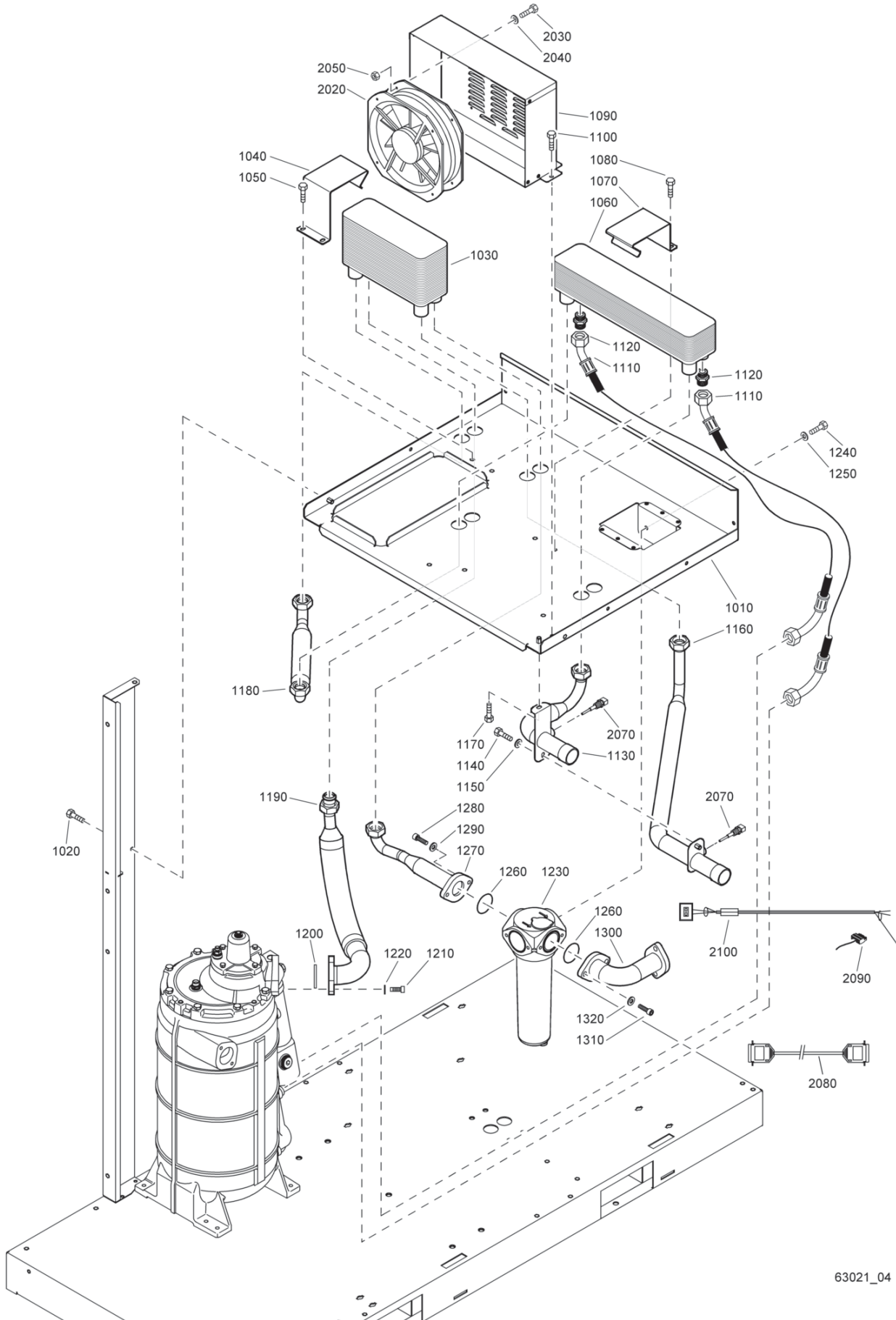
63300_04

Air flow and cooling system GA (A)

Ref.	Part number	Qty	Name	Remarks	Ref.	Part number	Qty	Name	Remarks
1010		1	Fan assembly						
	1622 3197 08		GA 30+ (A) IEC 200V/50Hz			1622 3197 61		GA 55 (A) IEC 500V/50Hz	
	1622 3197 14		GA 30+ (A) IEC 200V/60Hz			1622 3197 61		GA 55 (A)	
	1622 3197 15		GA 30+ (A)					CSA/UL 575V/60Hz	
			CSA/UL 200V/60Hz			1622 3197 81		GA 75 (A) IEC 200V/60Hz	
	1622 3197 01		GA 30+ (A) IEC 230V/50Hz			1622 3197 83		GA 75 (A)	
	1622 3197 11		GA 30+ (A) IEC 230V/60Hz					CSA/UL 200V/60Hz	
	1622 3197 11		GA 30+ (A)			1622 3197 71		GA 75 (A) IEC 230V/50Hz	
			CSA/UL 230V/60Hz			1622 3197 81		GA 75 (A) IEC 230V/60Hz	
	1622 3197 11		GA 30+ (A) IEC 380V/60Hz			1622 3197 81		GA 75 (A) IEC 380V/60Hz	
	1622 3197 01		GA 30+ (A) IEC 400V/50Hz			1622 3197 81		GA 75 (A)	
	1622 3197 11		GA 30+ (A) IEC 460V/60Hz			1622 3197 72		CSA/UL 380V/60Hz	
	1622 3197 11		GA 30+ (A)			1622 3197 81		GA 75 (A) IEC 400V/50Hz	
			CSA/UL 460V/60Hz			1622 3197 81		GA 75 (A) IEC 460V/60Hz	
	1622 3197 03		GA 30+ (A) IEC 500V/50Hz			1622 3197 81		GA 75 (A)	
	1622 3197 12		GA 30+ (A)					CSA/UL 460V/60Hz	
			CSA/UL 575V/60Hz			1622 3197 74		GA 75 (A) IEC 500V/50Hz	
	1622 3197 08		GA 37+ (A) IEC 200V/50Hz			1622 3197 82		GA 75 (A)	
	1622 3197 14		GA 37+ (A) IEC 200V/60Hz		2010	0147 1963 08	4	Hexagon bolt	
	1622 3197 15		GA 37+ (A)		2020	1622 3147 80	2	Fan protection 1)	
			CSA/UL 200V/60Hz		2030	0147 1963 08	8	Hexagon bolt	
	1622 3197 01		GA 37+ (A) IEC 230V/50Hz		3020	1079 9901 18	2	Warning label	
	1622 3197 11		GA 37+ (A) IEC 230V/60Hz		4010		1	Coolerplate	
	1622 3197 11		GA 37+ (A)			1622 3192 00		GA 30+ (A)	
			CSA/UL 230V/60Hz			1622 3193 00		GA 37+ (A)	
	1622 3197 11		GA 37+ (A) IEC 380V/60Hz			1622 3194 00		GA 45+ (A)	
	1622 3197 01		GA 37+ (A) IEC 400V/50Hz			1622 3195 00		GA 55 (A)	
	1622 3197 11		GA 37+ (A) IEC 460V/60Hz			1622 3196 00		GA 75 (A)	
	1622 3197 11		GA 37+ (A)		4020	0147 1963 08	4	Hexagon bolt	
			CSA/UL 460V/60Hz		4030		1	Combi cooler	
	1622 3197 03		GA 37+ (A) IEC 500V/50Hz			1622 3187 00		GA 30+ (A)	
	1622 3197 12		GA 37+ (A)			1622 3188 00		GA 37+ (A)	
			CSA/UL 575V/60Hz			1622 3189 00		GA 45+ (A)	
	1622 3197 08		GA 45+ (A) IEC 200V/50Hz			1622 3190 00		GA 55 (A)	
	1622 3197 14		GA 45+ (A) IEC 200V/60Hz			1622 3191 00		GA 75 (A)	
	1622 3197 15		GA 45+ (A)		4040	0147 1323 03	4	Hexagon bolt	
			CSA/UL 200V/60Hz		4045	0301 2335 00	4	Washer	
	1622 3197 01		GA 45+ (A) IEC 230V/50Hz		4050	0663 7136 00	1	O-ring	
	1622 3197 11		GA 45+ (A) IEC 230V/60Hz		4060	0211 1363 03	2	Cap screw	
	1622 3197 11		GA 45+ (A)		4070	0300 0274 55	2	Plain washer	
			CSA/UL 230V/60Hz		4080	1622 3155 00	1	Pipe	
	1622 3197 11		GA 45+ (A) IEC 380V/60Hz		4090	0663 7136 00	1	O-ring	
	1622 3197 01		GA 45+ (A) IEC 400V/50Hz		4100	0211 1363 03	2	Cap screw	
	1622 3197 11		GA 45+ (A) IEC 460V/60Hz		4110	0300 0274 55	2	Plain washer	
	1622 3197 11		GA 45+ (A)		4120		2	Hose assembly	
			CSA/UL 460V/60Hz			0574 9918 18		GA 30+ (A)	
	1622 3197 03		GA 45+ (A) IEC 500V/50Hz			0574 9918 18		GA 37+ (A)	
	1622 3197 12		GA 45+ (A)			0574 9918 18		GA 45+ (A)	
			CSA/UL 575V/60Hz			0574 9918 18		GA 55 (A)	
	1622 3197 64		GA 55 (A)			0574 9914 19		GA 75 (A)	
			CSA/UL 200V/60Hz		4130		1	Hose assembly	
	1622 3197 60		GA 55 (A) IEC 230V/50Hz			0574 9918 19		GA 30+ (A)	
	1622 3197 64		GA 55 (A)			0574 9918 19		GA 37+ (A)	
			CSA/UL 230V/50Hz			0574 9918 19		GA 45+ (A)	
	1622 3197 60		GA 55 (A) IEC 230V/60Hz			0574 9918 19		GA 55 (A)	
	1622 3197 60		GA 55 (A) IEC 380V/60Hz			0574 9914 20		GA 75 (A)	
	1622 3197 60		GA 55 (A) IEC 400V/50Hz						
	1622 3197 60		GA 55 (A) IEC 460V/60Hz						
	1622 3197 60		GA 55 (A)						
			CSA/UL 460V/60Hz						

1) Lined with / Bekleed met / Beklädd med / Ausgekleidet mit / Garnir de / Rivestido de / Allineato con / Foret med / Revestido com / Kledd med / Vuorattu :
Foam: 0395 6001 67(AR) 30 x 2040 x 1650

6



63021_04

63021_04

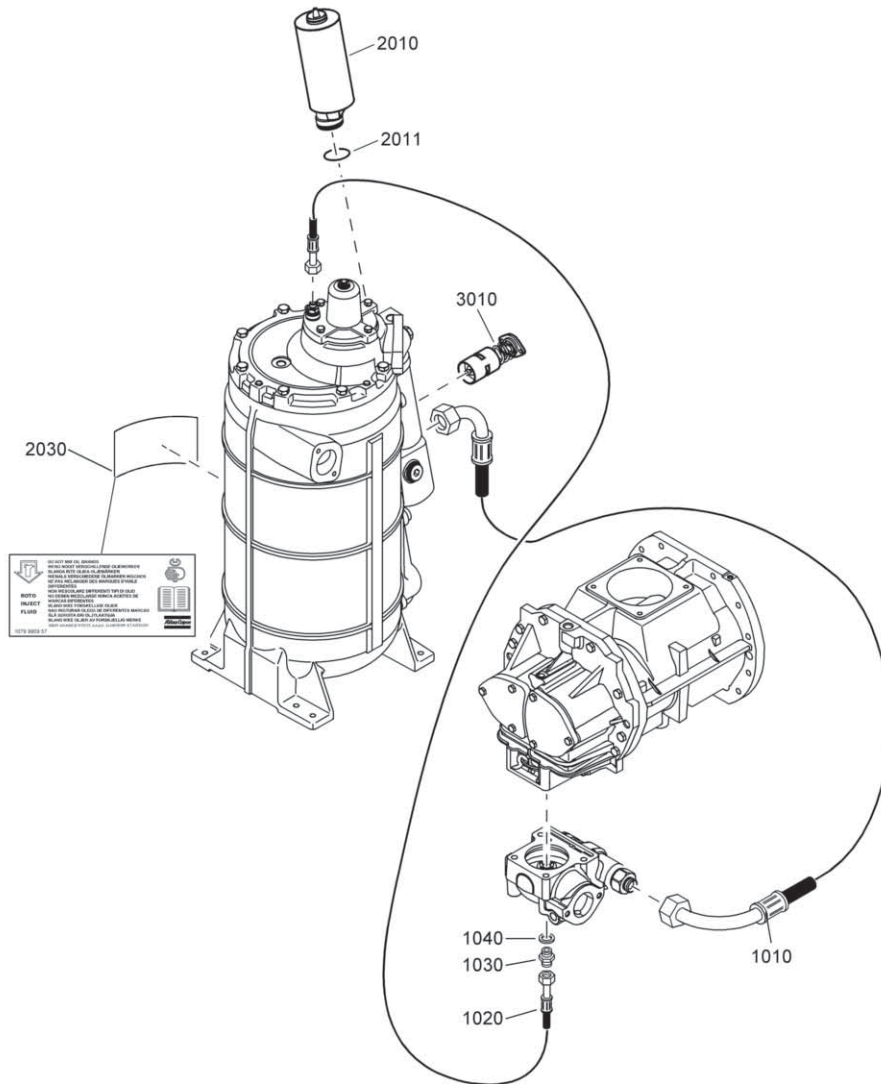
Air flow and cooling system - GA (W)

6

Ref.	Part number	Qty	Name	Remarks	Ref.	Part number	Qty	Name	Remarks
1010	1622 5079 80	1	Plate		1230	1613 9357 82	1	WSD 80	
1020	0147 1963 08	4	Hexagon bolt			0663 2111 27	• 1	O-ring	
1030	1622 5075 80	1	Aftercooler			0663 2111 80	• 1	O-ring	
1040	1622 4642 02	1	Support			4090 0309 00	• 1	O-ring	
1050	0147 1963 08	2	Hexagon bolt		1240	0147 1360 03	4	Hexagon bolt	
1060	1622 5077 80	1	Oil cooler		1250	0301 2344 00	4	Washer	
1070	1622 4642 01	1	Support		1260	0663 9868 00	2	O-ring	
1080	0147 1963 08	2	Hexagon bolt		1270	1622 5083 00	1	Pipe	
1090	1622 5080 00	1	Cooling fan cubicle		1280	0211 1363 03	2	Cap screw	
1100	0147 1963 08	4	Hexagon bolt		1290	0300 0274 55	2	Plain washer	
1110	0574 9918 18	2	Hose assembly		1300	1622 5081 00	1	Pipe	
1120	1619 5509 00	2	Nipple		1310	0211 1363 03	2	Cap screw	
1130	1622 5086 00	1	Pipe		1320	0300 0274 55	2	Plain washer	
1140	0147 1963 08	1	Hexagon bolt		2020	1089 9556 28	1	Fan	
1150	0301 2335 00	1	Washer		2030	0160 6039 00	4	Screw	
1160	1622 5084 00	1	Pipe		2040	0301 2315 00	4	Washer	
1170	0147 1963 08	1	Hexagon bolt		2050	0261 2106 00	4	Nut	
1180	1622 5085 00	1	Connection		2070	1089 0574 49	2	Temp.sensor	
1190	1622 5082 00	1	Flexible pipe		2080	1622 0661 01	1	Cable	
1200	0663 9868 00	1	O-ring		2090	1088 0031 04	1	Connector 4pin	
1210	0211 1363 03	2	Cap screw		2100	1622 0663 03	2	Cable temp.sensor	
1220	0300 0274 55	2	Plain washer						

7

Oil system

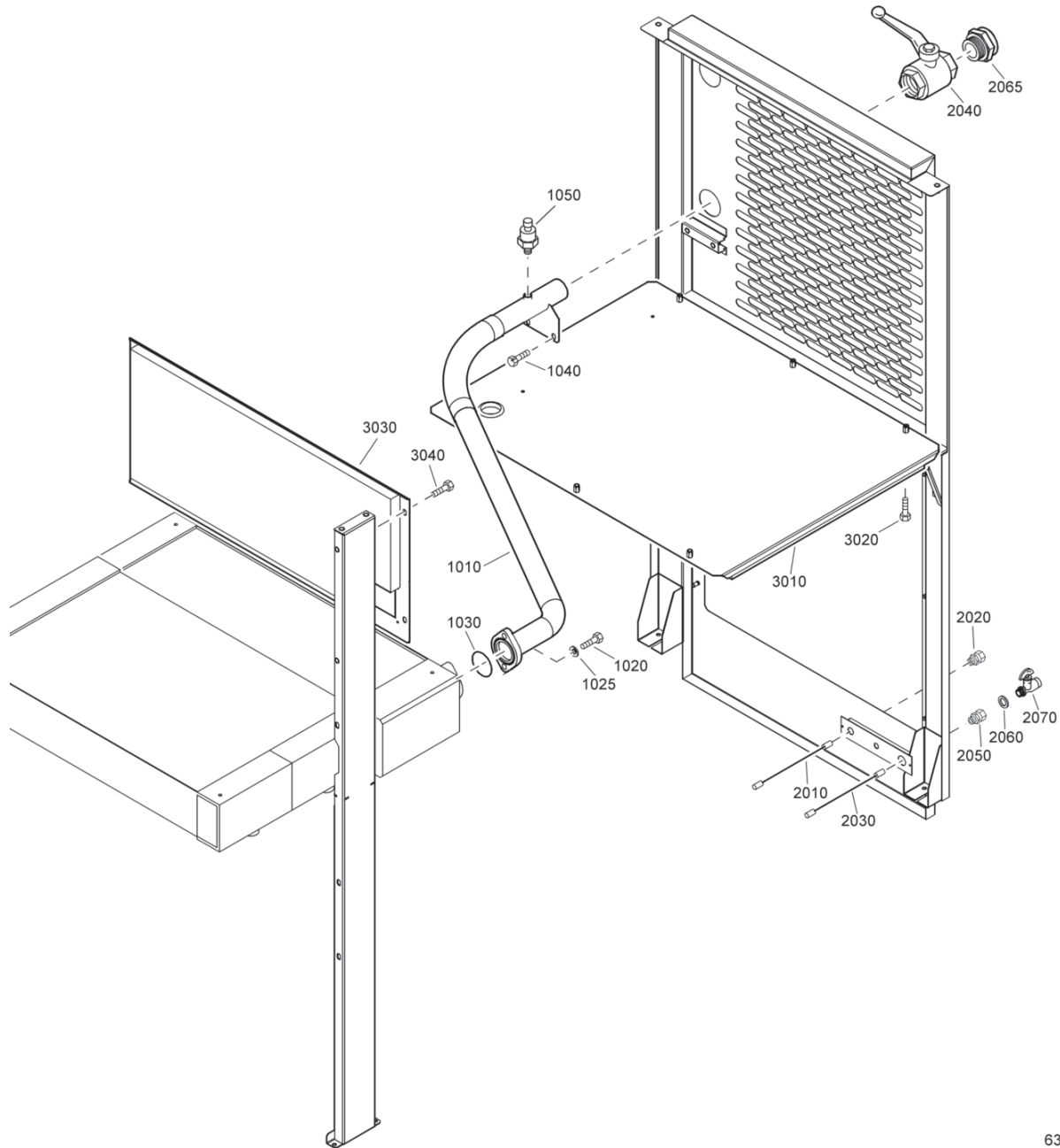


63020_05

63020_05

Ref.	Part number	Qty	Name	Remarks	Ref.	Part number	Qty	Name	Remarks
1010	0574 9914 19	1	Hose assembly		3010	1622 7064 01	1	Thermostatic valve	
1020	0574 9917 06	1	Hose assembly			1622 7064 01		7.5 bar(e)	
1030	1079 5840 19	1	Nipple			1622 7064 01		8 bar(e)	
1040	0653 1062 00	1	Flat gasket			1622 7064 01		10 bar(e)	
2010		1	Oil filter element			1622 7064 04		13 bar(e)	
	1622 3142 80		4000 HRS			1622 7064 01		100 psig	
	1622 5072 80		8000 HRS			1622 7064 01		125 psig	
2011	0663 2113 23	1	O-ring			1622 7064 01		150 psig	
2030		1	Label			1622 7064 04		175 psig	
	1079 9909 57		Roto Inject Fluid						
	1079 9920 76		HD - Roto Fluid Plus						

Air outlet - Pack - GA (A)



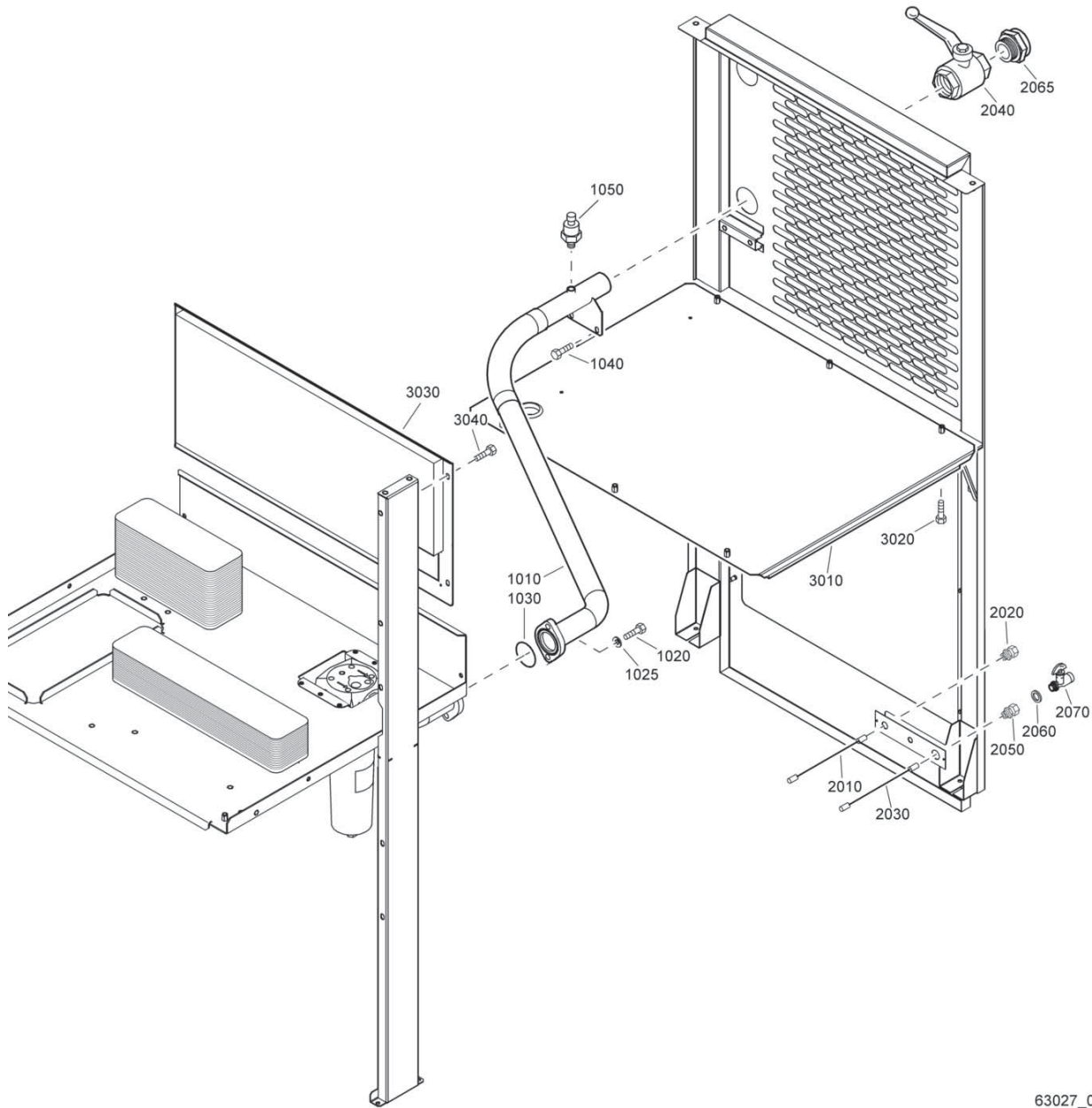
63026_06

Ref.	Part number	Qty	Name	Remarks	Ref.	Part number	Qty	Name	Remarks
1010	1622 3198 00	1	Pipe outlet		2070	1619 7336 00	1	Cock	
1020	0211 1363 03	2	Cap screw		3010	1622 3149 80	1	Plate	1)
1025	0300 0274 55	2	Plain washer			1088 0801 53	1	Grommet	
1030	0663 7136 00	1	O-ring		3020	0147 1963 08	6	Hexagon bolt	
1040	0147 1963 08	2	Hexagon bolt		3030	1622 3148 81	1	Separation plate	1)
1050	1089 0575 54	1	Press.transducer		3040	0147 1963 08	4	Hexagon bolt	
2010	0070 6002 04	AR	Plastic tube						
2020	0581 0000 33	1	Coupling						
2030	0070 6002 05	AR	Plastic tube						
2040	0852 0010 19	1	Ball valve						
2050	0581 0000 35	1	Coupling						
2060	0661 1000 38	1	Seal washer						
2065		1	Bushing						
	0605 8350 26		CSA/UL						

1) Lined with / Bekleed met / Beklädd med / Ausgekleidet mit / Garnir de / Rivestido de / Allineato con / Foret med / Revestido com / Kledd med / Vuorattu :
Foam: 0395 6001 67(AR) 30 x 2040 x 1650

9

Air outlet - Pack - GA (W)

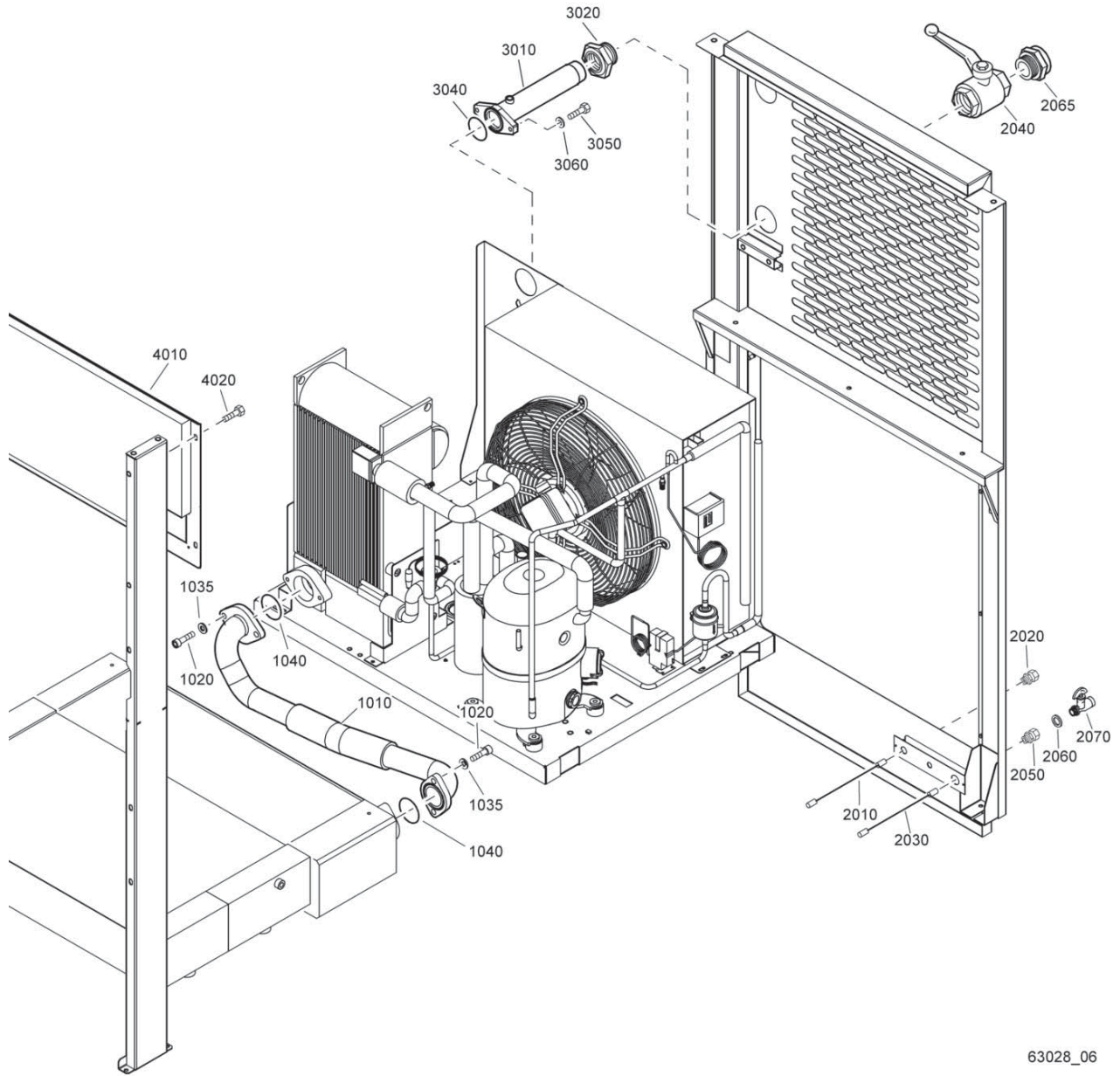


63027_06

Ref.	Part number	Qty	Name	Remarks	Ref.	Part number	Qty	Name	Remarks
1010	1622 3198 00	1	Pipe outlet		2065		1	Bushing	
1020	0211 1363 03	2	Cap screw		0605 8350 26		1	CSA/UL	
1025	0300 0274 55	2	Plain washer		2070	1619 7336 00	1	Cock	
1030	0663 7136 00	1	O-ring		3010	1622 3149 80	1	Plate	1)
1040	0147 1963 08	2	Hexagon bolt		1088 0801 53	•	1	Grommet	
1050	1089 0575 54	1	Press.transducer		3020	0147 1963 08	6	Hexagon bolt	
2010	0070 6002 04	AR	Plastic tube		3030	1622 3148 81	1	Separation plate	1)
2020	0581 0000 33	1	Coupling		3040	0147 1963 08	4	Hexagon bolt	
2030	0070 6002 05	AR	Plastic tube						
2040	0852 0010 19	1	Ball valve						
2050	0581 0000 35	1	Coupling						
2060	0661 1000 38	1	Seal washer						

1) Lined with / Bekleed met / Beklädd med / Ausgekleidet mit / Garnir de / Rivestido de / Allineato con / Foret med / Revestido com / Kledd med / Vuorattu :
Foam: 0395 6001 67(AR) 30 x 2040 x 1650

Air outlet - Full Feature - GA (A)

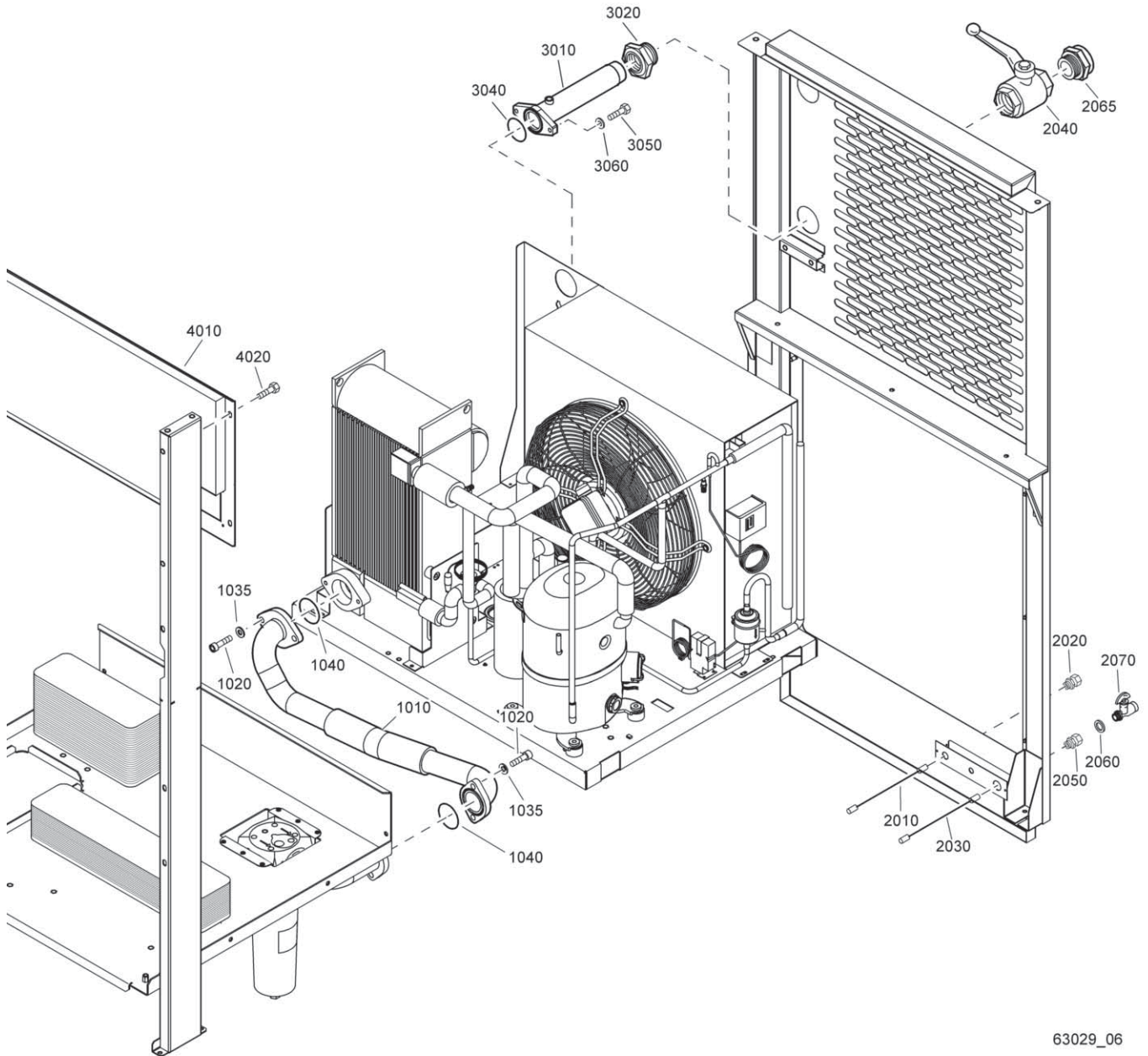


63028_06

Ref.	Part number	Qty	Name	Remarks	Ref.	Part number	Qty	Name	Remarks
1010	1622 3156 00	1	Pipe		3010	1622 4627 01	1	Outlet pipe	
1020	0211 1363 03	4	Cap screw		3020	0605 8300 72	1	Bushing	
1035	0300 0274 55	4	Plain washer		3040	0663 2104 75	1	O-ring	
1040	0663 7136 00	2	O-ring		3050	0147 1326 03	2	Hexagon bolt	
2010	0070 6002 04	AR	Plastic tube		3060	0301 2335 00	2	Washer	
2020	0581 0000 33	1	Coupling		4010 1622 3148 80	1	Separation plate	1)	
2030	0070 6002 05	AR	Plastic tube		4020	0147 1963 08	4	Hexagon bolt	
2040	0852 0010 19	1	Ball valve						
2050	0581 0000 35	1	Coupling						
2060	0661 1000 38	1	Seal washer						
2065		1	Bushing						
	0605 8350 26		CSA/UL						
2070	1619 7336 00	1	Cock						

1) Lined with / Bekleed met / Beklädd med / Ausgekleidet mit / Garnir de / Rivestido de / Allineato con / Foret med / Revestido com / Kledd med / Vuorattu :
Foam: 0395 6001 67(AR) 30 x 2040 x 1650

11

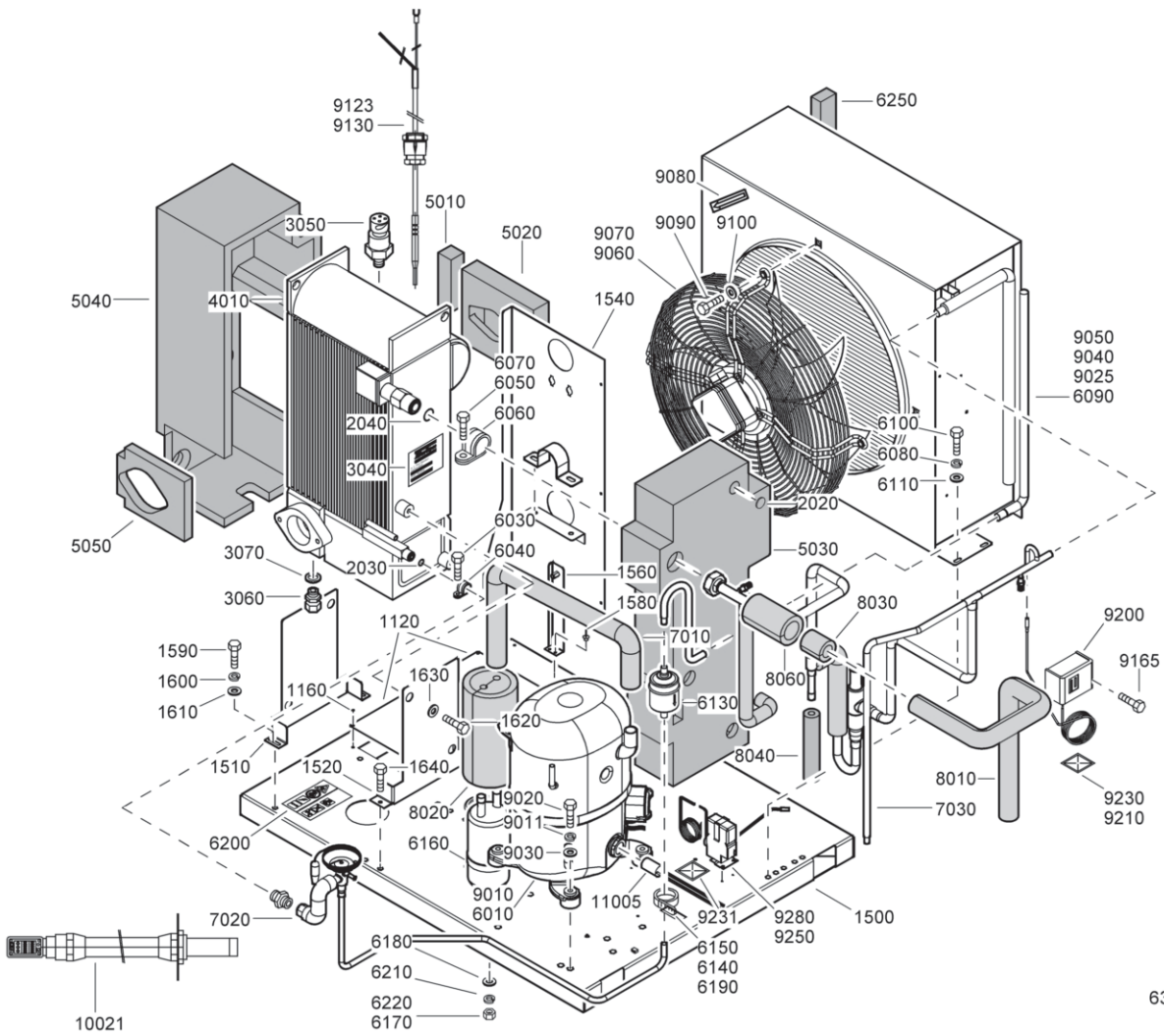


63029_06

Air outlet - Full Feature - GA (W)

Ref.	Part number	Qty	Name	Remarks	Ref.	Part number	Qty	Name	Remarks
1010	1622 3156 00	1	Pipe		3010	1622 4627 01	1	Outlet pipe	
1020	0211 1363 03	4	Cap screw		3020	0605 8300 72	1	Bushing	
1035	0300 0274 55	4	Plain washer		3040	0663 2104 75	1	O-ring	
1040	0663 7136 00	2	O-ring		3050	0147 1326 03	2	Hexagon bolt	
2010	0070 6002 04	AR	Plastic tube		3060	0301 2335 00	2	Washer	
2020	0581 0000 33	1	Coupling		4010 1622 3148 80	1	Separation plate	1)	
2030	0070 6002 05	AR	Plastic tube		4020	0147 1963 08	4	Hexagon bolt	
2040	0852 0010 19	1	Ball valve		1) Lined with / Bekleed met / Beklädd med / Ausgekleidet mit / Garnir de / Rivestido de / Allineato con / Foret med / Revestido com / Kledd med / Vuorattu :				
2050	0581 0000 35	1	Coupling		Foam: 0395 6001 67(AR) 30 x 2040 x 1650				
2060	0661 1000 38	1	Seal washer						
2065		1	Bushing						
	0605 8350 26		CSA/UL						
2070	1619 7336 00	1	Cock						

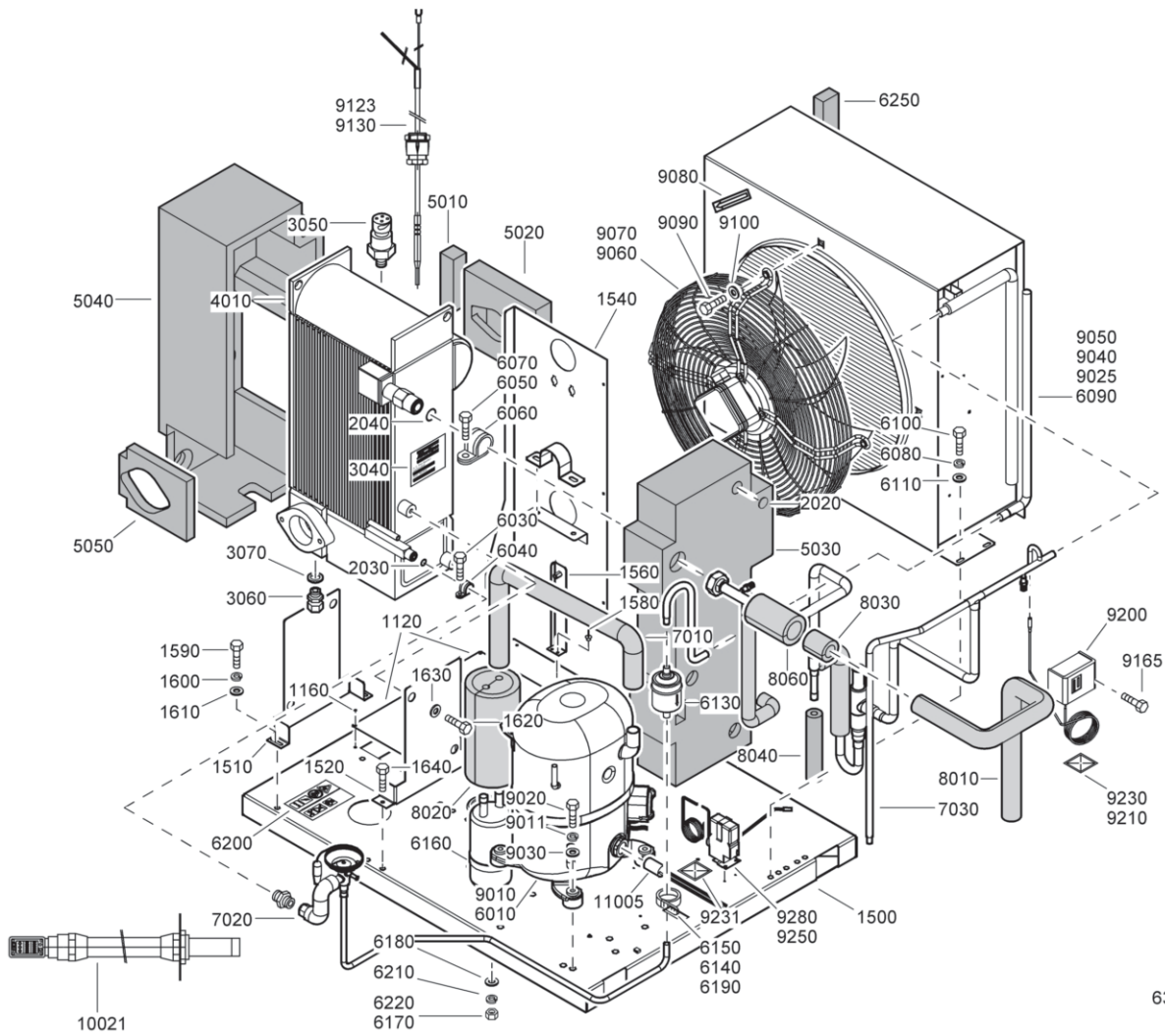
12



Air dryer - Full Feature

Ref.	Part number	Qty	Name	Remarks	Ref.	Part number	Qty	Name	Remarks
		1	Air dryer		1620	0147 1323 03	• 4	Hex.bolt	
	8092 2901 40		GA 30+ ID 95 400V/50Hz		1630	0300 0276 47	• 4	Washer	
	8092 2652 41		GA 30+ ID 95 460V/60Hz		1640	1079 2263 02	• 2	Tap screw	
	8092 2650 76		GA 30+ ID 170		2020	1624 2451 00	• 2	Insulation	
			200-230V/50Hz		2030	1617 0092 03	• 1	Ring	
	8092 2651 00		GA 30+ ID 170		2040	1617 0315 00	• 1	Ring (all)	
			200-230V/60Hz		3040		• 1	Label	
	8092 2651 34		GA 30+ ID 170 380V/60Hz			1624 2390 05		ID 95	
	8092 2650 92		GA 30+ ID 170 500V/50Hz			1624 2390 04		ID 120	
	8092 2651 26		GA 30+ ID 170 575V/60Hz			1624 2390 03		ID 170	
	8092 2901 40		GA 37+ ID 95 400V/50Hz		3050	1089 0575 54	• 1	Pressure transducer	
	8092 2652 41		GA 37+ ID 95 460V/60Hz		3060	0581 0000 71	• 1	Pipe coupling	
	8092 2650 68		GA 37+ ID 120 460V/60Hz		3070	0661 1000 39	• 1	Seal washer	
	8092 2650 76		GA 37+ ID 170		4010		• 1	Heat exchanger	
			200-230V/50Hz			1624 2284 80		ID 95	
	8092 2651 00		GA 37+ ID 170			1624 2289 80		ID 120	
			200-230V/60Hz			1624 2274 80		ID 170	
	8092 2651 34		GA 37+ ID 170 380V/60Hz				•• 1	Heat exchanger	
	8092 2650 84		GA 37+ ID 170 400V/50Hz				•• 1	Label	
	8092 2650 92		GA 37+ ID 170 500V/50Hz			1624 2315 00		ID 95	
	8092 2651 26		GA 37+ ID 170 575V/60Hz			1624 2412 00		ID 120	
	8092 2650 50		GA 45+ ID 120 400V/50Hz			1624 2411 00		ID 170	
	8092 2650 68		GA 45+ ID 120 460V/60Hz		5010	1624 2671 00	• 1	Insulation	
	8092 2650 76		GA 45+ ID 170		5020	1624 2677 00	• 1	Insulation	
			200-230V/50Hz		5030		• 1	Insulation	
	8092 2651 00		GA 45+ ID 170			1624 2687 00		ID 95	
			200-230V/60Hz			1624 2680 00		ID 120	
	8092 2651 34		GA 45+ ID 170 380V/60Hz			1624 2676 00		ID 170	
	8092 2650 84		GA 45+ ID 170 400V/50Hz		5040		• 1	Insulation	
	8092 2651 18		GA 45+ ID 170 460V/60Hz			1624 2681 00		ID 95	
	8092 2650 92		GA 45+ ID 170 500V/50Hz			1624 2675 00		ID 120	
	8092 2651 26		GA 45+ ID 170 575V/60Hz			1624 2675 00		ID 170	
	8092 2650 50		GA 55 ID 120 400V/50Hz		5050		• 1	Insulation	
	8092 2650 68		GA 55 ID 120 460V/60Hz			1624 2682 00		ID 95	
	8092 2650 76		GA 55 ID 170			1624 2679 00		ID 120	
			200-230V/50Hz			1624 2678 00		ID 170	
	8092 2651 00		GA 55 ID 170		6010	1617 1269 00	• AR	Freon gas	
			200-230V/60Hz		6030	0147 1247 03	• 1	Hex.bolt	
	8092 2651 34		GA 55 ID 170 380V/60Hz		6040		• 1	Pipe clamp	
	8092 2650 84		GA 55 ID 170 400V/50Hz			0346 1000 41	2	GA 30+ ID 95 400V/50Hz	
	8092 2651 18		GA 55 ID 170 460V/60Hz			0346 1000 41	1	GA 30+ ID 95 460V/60Hz	
	8092 2650 92		GA 55 ID 170 500V/50Hz			0346 1000 41	2	GA 30+ ID 170	
	8092 2651 26		GA 55 ID 170 575V/60Hz					200-230V/50Hz	
	8092 2650 50		GA 75 ID 120 400V/50Hz			0346 1000 41	2	GA 30+ ID 170	
	8092 2650 68		GA 75 ID 120 460V/60Hz					200-230V/60Hz	
	8092 2650 76		GA 75 ID 170			0346 1000 41	2	GA 30+ ID 170 380V/60Hz	
			200-230V/50Hz			0346 1000 41	1	GA 30+ ID 170 500V/50Hz	
	8092 2651 00		GA 75 ID 170			0346 1000 41	2	GA 30+ ID 170 575V/60Hz	
			200-230V/60Hz			0346 1000 41	2	GA 37+ ID 95 400V/50Hz	
	8092 2651 34		GA 75 ID 170 380V/60Hz			0346 1000 41	1	GA 37+ ID 95 460V/60Hz	
	8092 2650 84		GA 75 ID 170 400V/50Hz			0346 1000 41	2	GA 37+ ID 120 460V/60Hz	
	8092 2651 18		GA 75 ID 170 460V/60Hz			0346 1000 41	2	GA 37+ ID 170	
	8092 2650 92		GA 75 ID 170 500V/50Hz					200-230V/50Hz	
	8092 2651 26		GA 75 ID 170 575V/60Hz			0346 1000 41	2	GA 37+ ID 170	
								200-230V/60Hz	
1120	1624 2374 00	• 2	Plate			0346 1000 41	2	GA 37+ ID 170 380V/60Hz	
1160	0111 1686 12	• 8	Plug			0346 1000 41	2	GA 37+ ID 170 400V/50Hz	
1500	1624 2368 80	• 1	Frame assy			0346 1000 41	1	GA 37+ ID 170 500V/50Hz	
	1088 0803 08	• 1	Grommet			0346 1000 41	2	GA 37+ ID 170 575V/60Hz	
1510	1624 2370 00	• 1	Support			0346 1000 41	2	GA 45+ ID 120 400V/50Hz	
1520	1624 2371 00	• 1	Support			0346 1000 41	2	GA 45+ ID 120 460V/60Hz	
1540	1624 2372 80	• 1	Plate assy			0346 1000 41	2	GA 45+ ID 170	
1560	1624 2309 80	• 1	Support assy			0346 1000 41	2	200-230V/50Hz	
1580	0129 3270 40	• 5	Rivet					200-230V/60Hz	
1590	0147 1247 03	• 4	Hex.bolt			0346 1000 41	2	GA 45+ ID 170	
1600	0333 3220 00	• 4	Ser.washer					200-230V/60Hz	
1610	0300 0274 64	• 4	Washer			0346 1000 41	2	GA 45+ ID 170 380V/60Hz	

12

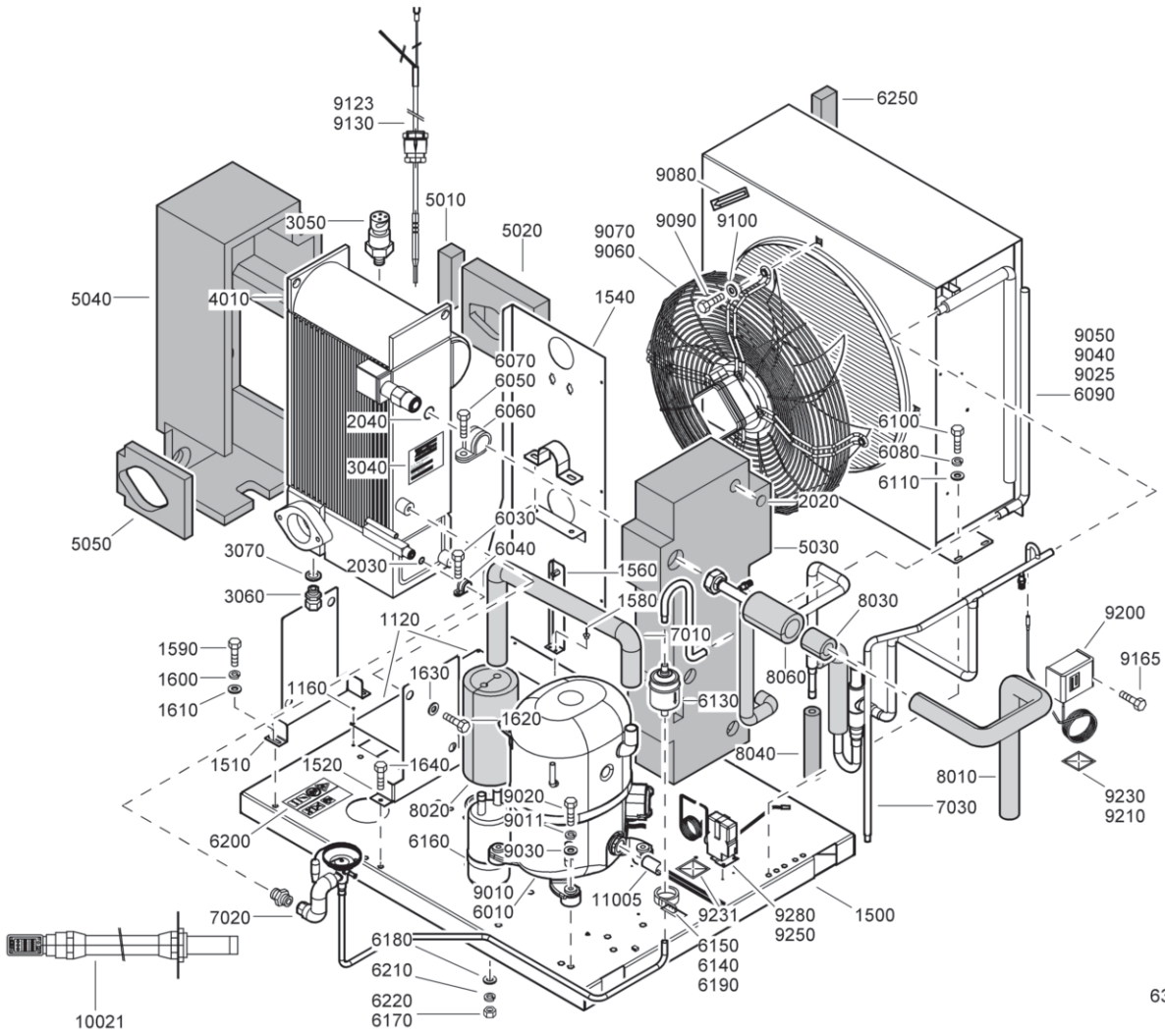


63428_17

Air dryer - Full Feature

Ref.	Part number	Qty	Name	Remarks	Ref.	Part number	Qty	Name	Remarks
	0346 1000 41	2	GA 45+ ID 170	400V/50Hz		1624 2290 00		GA 55 ID 170	200-230V/60Hz
	0346 1000 41	2	GA 45+ ID 170	460V/60Hz		1624 2290 00		GA 55 ID 170	380V/60Hz
	0346 1000 41	1	GA 45+ ID 170	500V/50Hz		1624 2290 00		GA 55 ID 170	400V/50Hz
	0346 1000 41	2	GA 45+ ID 170	575V/60Hz		1624 2290 00		GA 55 ID 170	460V/60Hz
	0346 1000 41	2	GA 55 ID 120	400V/50Hz		1624 2290 00		GA 55 ID 170	500V/50Hz
	0346 1000 41	2	GA 55 ID 120	460V/60Hz		1624 2290 00		GA 55 ID 170	575V/60Hz
	0346 1000 41	2	GA 55 ID 170	200-230V/50Hz		1624 2278 00		GA 75 ID 120	400V/50Hz
	0346 1000 41	2	GA 55 ID 170	200-230V/60Hz		1624 2278 00		GA 75 ID 120	460V/60Hz
	0346 1000 41	2	GA 55 ID 170	380V/60Hz		1624 2290 00		GA 75 ID 170	200-230V/50Hz
	0346 1000 41	2	GA 55 ID 170	400V/50Hz		1624 2290 00		GA 75 ID 170	200-230V/60Hz
	0346 1000 41	2	GA 55 ID 170	460V/60Hz		1624 2290 00		GA 75 ID 170	380V/60Hz
	0346 1000 41	1	GA 55 ID 170	500V/50Hz		1624 2290 00		GA 75 ID 170	400V/50Hz
	0346 1000 41	2	GA 55 ID 170	575V/60Hz		1624 2290 00		GA 75 ID 170	460V/60Hz
	0346 1000 41	2	GA 75 ID 120	400V/50Hz		1624 2290 00		GA 75 ID 170	500V/50Hz
	0346 1000 41	2	GA 75 ID 120	460V/60Hz		1624 2290 00		GA 75 ID 170	575V/60Hz
	0346 1000 41	2	GA 75 ID 170	200-230V/50Hz	6100	0147 1247 03	• 6	Hex.bolt	
	0346 1000 41	2	GA 75 ID 170	200-230V/60Hz	6110	0300 0274 64	• 6	Washer	
	0346 1000 41	2	GA 75 ID 170	380V/60Hz	6130	1624 2293 00	• 1	Filter dryer	
	0346 1000 41	2	GA 75 ID 170	400V/50Hz	6140	0226 3343 07	• 1	Tapping screw	
	0346 1000 41	2	GA 75 ID 170	460V/60Hz	6150	0348 0101 13	• 3	Cable tie	
	0346 1000 41	2	GA 75 ID 170	500V/50Hz	6160	1617 1625 00	• 1	Liquid separator	
	0346 1000 41	1	GA 75 ID 170	575V/60Hz	6170	0697 9809 10	• 1	Locknut	
	0346 1000 41	2	GA 75 ID 170	575V/60Hz	6180	0301 2335 00	• 1	Washer	
6050	1079 2263 01	• 2	Screw		6190	0348 0110 03	• 1	Anchor	
6060	0346 1000 37	• 1	Pipe clamp		6200	1079 9903 48	• 1	Warning label	
6070	0301 2327 00	• 1	Washer		6210	0333 3227 00	• 1	Ser. washer	
6080	0333 3220 00	• 7	Ser.washer		6220	0291 1110 00	• 1	Locknut	
6090		• 1	Condenser		6250	0395 6005 95	• 1	Foam	
	1624 2278 00		GA 30+ ID 95	400V/50Hz	7010		• 1	Pipe assy	
	1624 2683 00		GA 30+ ID 95	460V/60Hz			•• 1	Nut	
	1624 2290 00		GA 30+ ID 170	200-230V/50Hz		1617 0314 00		ID 170	
	1624 2290 00		GA 30+ ID 170	200-230V/60Hz			•• 1	Sleeve	
	1624 2290 00		GA 30+ ID 170	380V/60Hz	7020		• 1	Pipe assy	
	1624 2290 00		GA 30+ ID 170	500V/50Hz			•• 1	Valve	
	1624 2290 00		GA 30+ ID 170	575V/60Hz		1624 2297 07		ID 95	
	1624 2278 00		GA 37+ ID 95	400V/50Hz		1624 2297 07		ID 120	
	1624 2683 00		GA 37+ ID 95	460V/60Hz		1624 2297 08		ID 170	
	1624 2278 00		GA 37+ ID 120	460V/60Hz	7030		• 1	Pipe assy	
	1624 2290 00		GA 37+ ID 170	200-230V/50Hz		1617 1524 04	•• 1	HGB Valve	
	1624 2290 00		GA 37+ ID 170	200-230V/60Hz		1617 0314 00	•• 1	Nut	
	1624 2290 00		GA 37+ ID 170	380V/60Hz		1617 0107 00	•• 1	Sleeve	
	1624 2290 00		GA 37+ ID 170	400V/50Hz		1619 5563 02	•• 2	Schröder Valve	
	1624 2290 00		GA 37+ ID 170	500V/50Hz			•• 1	Schröder Valve	
	1624 2290 00		GA 37+ ID 170	575V/60Hz		1619 5563 02		ID 170	
	1624 2278 00		GA 45+ ID 120	400V/50Hz			•• 1	Non return valve	
	1624 2278 00		GA 45+ ID 120	460V/60Hz		1617 2750 00		ID 170	
	1624 2290 00		GA 45+ ID 170	200-230V/50Hz			•• 1	Nut	
	1624 2290 00		GA 45+ ID 170	200-230V/60Hz		1617 0058 00		ID 170	
	1624 2290 00		GA 45+ ID 170	380V/60Hz			•• 1	Sleeve	
	1624 2290 00		GA 45+ ID 170	400V/50Hz		1617 0082 00		ID 170	
	1624 2290 00		GA 45+ ID 170	460V/60Hz	8010		• 1	Insulation hose	
	1624 2290 00		GA 45+ ID 170	500V/50Hz		1617 2499 15		ID 95 - 50Hz	
	1624 2290 00		GA 45+ ID 170	575V/60Hz		1617 2499 13		ID 95 - 60Hz	
	1624 2278 00		GA 55 ID 120	400V/50Hz		1617 2499 14		ID 120	
	1624 2278 00		GA 55 ID 120	460V/60Hz		1617 2499 07		ID 170	
	1624 2290 00		GA 55 ID 170	200-230V/50Hz	8020	1617 1641 80	• 1	Insulation assy	
	1624 2290 00		GA 55 ID 170	200-230V/60Hz			•• 1	Insulation	
	1624 2290 00		GA 55 ID 170	380V/60Hz		1617 1641 01	•• 1	Insulation	
	1624 2290 00		GA 55 ID 170	400V/50Hz		1617 1642 00	•• 1	Insulation	
	1624 2290 00		GA 55 ID 170	460V/60Hz	8030	1617 2361 00	• 1	Insulation	
	1624 2290 00		GA 55 ID 170	500V/50Hz					
	1624 2290 00		GA 55 ID 170	575V/60Hz					
	1624 2278 00		GA 55 ID 120	400V/50Hz					
	1624 2278 00		GA 55 ID 120	460V/60Hz					
	1624 2290 00		GA 55 ID 170	200-230V/50Hz					

12

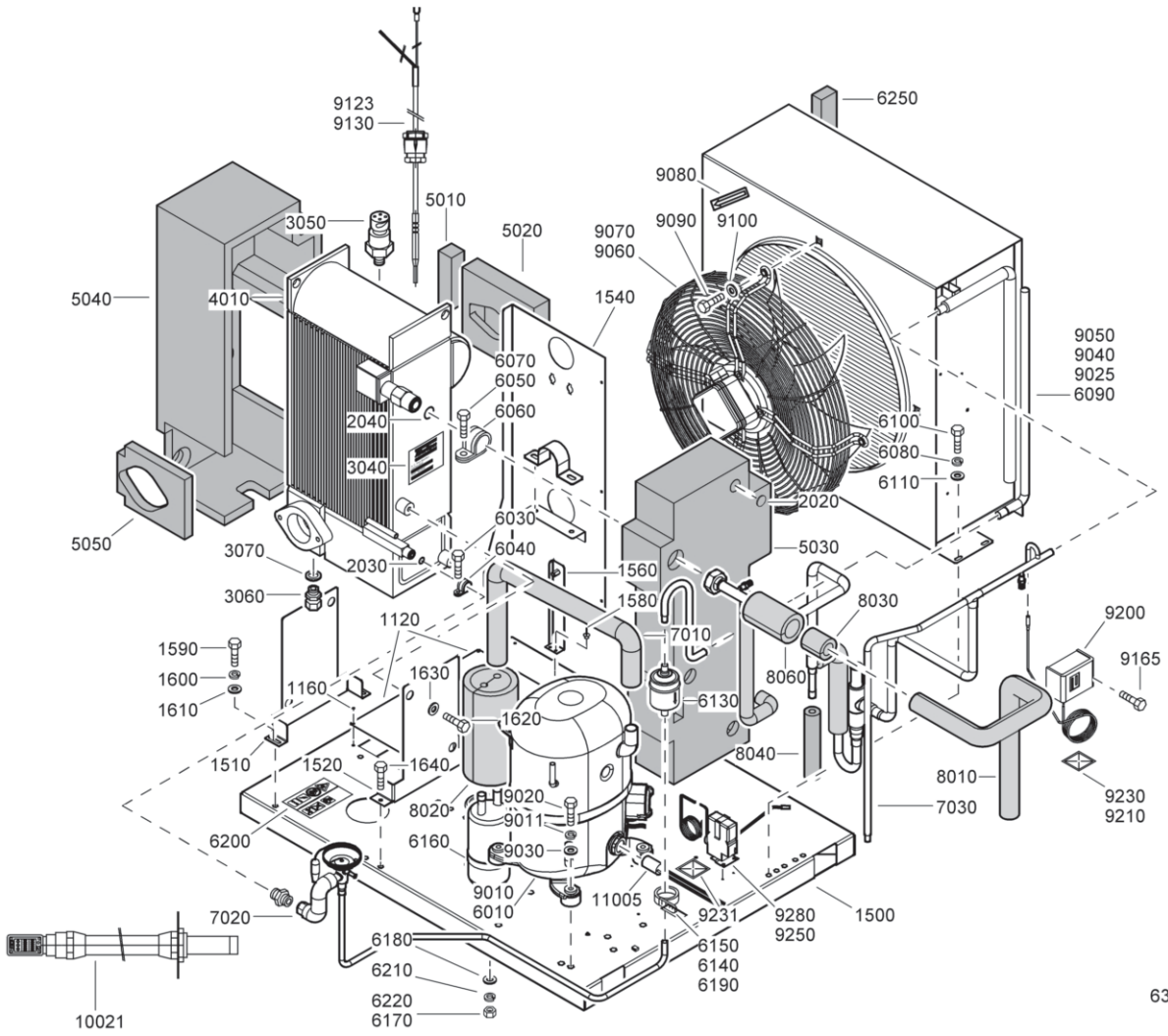


63428_17

Air dryer - Full Feature

Ref.	Part number	Qty	Name	Remarks	Ref.	Part number	Qty	Name	Remarks
8040		• 1	Insulation		9020		•	Hexagon bolt	
	1624 2589 00		ID 95 - 50Hz			1619 5337 03	3	ID 170 575V/60Hz	
	1624 2455 00		ID 95 - 50Hz			0147 1331 03	4	Others	
	1624 2452 00		ID 95 - 60Hz		9025	0333 3214 00	• 2	Ser.washer	
	1624 2455 00		ID 120		9030	0300 8019 00	• 4	Washer	
	1624 2452 00		ID 120		9040	0333 3214 00	• 1	Ser.washer	
	1624 2455 00		ID 170		9050	0301 2315 00	• 1	Washer	
	1624 2452 00		ID 170		9060	1088 1001 01	• 3	Warning mark	
8060	1624 2386 00	• 1	Insulation		9070		• 1	Fan assy	
9010		• 1	Refr. compressor			1624 2390 80		GA 30+ ID 95 400V/50Hz	
	1624 2295 02		GA 30+ ID 95 400V/50Hz			1624 2037 80		GA 30+ ID 95 460V/60Hz	
	1624 2294 04		GA 30+ ID 95 460V/60Hz			1617 2057 80		GA 30+ ID 170 200-230V/50Hz	
	1624 2295 05		GA 30+ ID 170 200-230V/50Hz			1617 2581 80		GA 30+ ID 170 200-230V/60Hz	
	1624 2295 03		GA 30+ ID 170 200-230V/60Hz			1617 2057 80		GA 30+ ID 170 380V/60Hz	
	1624 2295 04		GA 30+ ID 170 380V/60Hz			1617 2582 80		GA 30+ ID 170 500V/50Hz	
	1619 7767 33		GA 30+ ID 170 500V/50Hz			1617 2582 80		GA 30+ ID 170 575V/60Hz	
	1619 7767 30		GA 30+ ID 170 575V/60Hz			1624 2390 80		GA 37+ ID 95 400V/50Hz	
	1624 2295 02		GA 37+ ID 95 400V/50Hz			1624 2037 80		GA 37+ ID 95 460V/60Hz	
	1624 2294 04		GA 37+ ID 95 460V/60Hz			1624 2037 80		GA 37+ ID 120 460V/60Hz	
	1624 2294 05		GA 37+ ID 120 460V/60Hz			1617 2057 80		GA 37+ ID 170 200-230V/50Hz	
	1624 2295 05		GA 37+ ID 170 200-230V/50Hz			1617 2581 80		GA 37+ ID 170 200-230V/60Hz	
	1624 2295 03		GA 37+ ID 170 200-230V/60Hz			1617 2057 80		GA 37+ ID 170 380V/60Hz	
	1624 2295 04		GA 37+ ID 170 380V/60Hz			1617 2057 80		GA 37+ ID 170 400V/50Hz	
	1624 2295 06		GA 37+ ID 170 400V/50Hz			1617 2582 80		GA 37+ ID 170 500V/50Hz	
	1619 7767 33		GA 37+ ID 170 500V/50Hz			1617 2582 80		GA 37+ ID 170 575V/60Hz	
	1619 7767 30		GA 37+ ID 170 575V/60Hz			1624 2390 80		GA 45+ ID 120 400V/50Hz	
	1624 2295 02		GA 45+ ID 120 400V/50Hz			1624 2037 80		GA 45+ ID 120 460V/60Hz	
	1624 2294 05		GA 45+ ID 120 460V/60Hz			1617 2057 80		GA 45+ ID 170 200-230V/50Hz	
	1624 2295 05		GA 45+ ID 170 200-230V/50Hz			1617 2581 80		GA 45+ ID 170 200-230V/60Hz	
	1624 2295 03		GA 45+ ID 170 200-230V/60Hz			1617 2057 80		GA 45+ ID 170 380V/60Hz	
	1624 2295 04		GA 45+ ID 170 380V/60Hz			1617 2057 80		GA 45+ ID 170 400V/50Hz	
	1624 2295 06		GA 45+ ID 170 400V/50Hz			1617 2581 80		GA 45+ ID 170 460V/60Hz	
	1624 2295 04		GA 45+ ID 170 460V/60Hz			1617 2582 80		GA 45+ ID 170 500V/50Hz	
	1619 7767 33		GA 45+ ID 170 500V/50Hz			1617 2582 80		GA 45+ ID 170 575V/60Hz	
	1619 7767 30		GA 45+ ID 170 575V/60Hz			1624 2390 80		GA 55 ID 120 400V/50Hz	
	1624 2295 02		GA 55 ID 120 400V/50Hz			1624 2037 80		GA 55 ID 120 460V/60Hz	
	1624 2294 05		GA 55 ID 120 460V/60Hz			1617 2057 80		GA 55 ID 170 200-230V/50Hz	
	1624 2295 05		GA 55 ID 170 200-230V/50Hz			1617 2581 80		GA 55 ID 170 200-230V/60Hz	
	1624 2295 03		GA 55 ID 170 200-230V/60Hz			1617 2057 80		GA 55 ID 170 380V/60Hz	
	1624 2295 04		GA 55 ID 170 380V/60Hz			1617 2057 80		GA 55 ID 170 400V/50Hz	
	1624 2295 06		GA 55 ID 170 400V/50Hz			1617 2581 80		GA 55 ID 170 460V/60Hz	
	1624 2295 04		GA 55 ID 170 460V/60Hz			1617 2582 80		GA 55 ID 170 500V/50Hz	
	1619 7767 33		GA 55 ID 170 500V/50Hz			1617 2582 80		GA 55 ID 170 575V/60Hz	
	1619 7767 30		GA 55 ID 170 575V/60Hz			1624 2390 80		GA 75 ID 120 400V/50Hz	
	1624 2295 02		GA 75 ID 120 400V/50Hz			1624 2037 80		GA 75 ID 120 460V/60Hz	
	1624 2294 05		GA 75 ID 120 460V/60Hz			1617 2057 80		GA 75 ID 170 200-230V/50Hz	
	1624 2295 05		GA 75 ID 170 200-230V/50Hz			1617 2581 80		GA 75 ID 170 200-230V/60Hz	
	1624 2295 03		GA 75 ID 170 200-230V/60Hz			1617 2057 80		GA 75 ID 170 380V/60Hz	
	1624 2295 04		GA 75 ID 170 380V/60Hz			1617 2057 80		GA 75 ID 170 400V/50Hz	
	1624 2295 06		GA 75 ID 170 400V/50Hz			1617 2581 80		GA 75 ID 170 460V/60Hz	
	1624 2295 04		GA 75 ID 170 460V/60Hz			1617 2582 80		GA 75 ID 170 500V/50Hz	
	1619 7767 33		GA 75 ID 170 500V/50Hz			1617 2582 80		GA 75 ID 170 575V/60Hz	
	1619 7767 30		GA 75 ID 170 575V/60Hz			1624 2390 80		GA 75 ID 120 400V/50Hz	
	1624 2295 02		GA 75 ID 120 400V/50Hz			1624 2037 80		GA 75 ID 120 460V/60Hz	
	1624 2294 05		GA 75 ID 120 460V/60Hz			1617 2057 80		GA 75 ID 170 200-230V/50Hz	
	1624 2295 05		GA 75 ID 170 200-230V/50Hz			1617 2581 80		GA 75 ID 170 200-230V/60Hz	
	1624 2295 03		GA 75 ID 170 200-230V/60Hz			1617 2057 80		GA 75 ID 170 380V/60Hz	
	1624 2295 04		GA 75 ID 170 380V/60Hz			1617 2057 80		GA 75 ID 170 400V/50Hz	
	1624 2295 06		GA 75 ID 170 400V/50Hz			1617 2581 80		GA 75 ID 170 460V/60Hz	
	1624 2295 04		GA 75 ID 170 460V/60Hz			1617 2582 80		GA 75 ID 170 500V/50Hz	
	1619 7767 33		GA 75 ID 170 500V/50Hz			1617 2582 80		GA 75 ID 170 575V/60Hz	
	1619 7767 30		GA 75 ID 170 575V/60Hz		9080	1503 0786 00	• 1	Rotation arrow	
	1624 2295 02		GA 75 ID 120 400V/50Hz		9090	0147 1326 03	• 4	Hex.bolt	
	1624 2294 05		GA 75 ID 120 460V/60Hz						
	1624 2295 05		GA 75 ID 170 200-230V/50Hz						
	1624 2295 03		GA 75 ID 170 200-230V/60Hz						
	1624 2295 04		GA 75 ID 170 380V/60Hz						
	1624 2295 06		GA 75 ID 170 400V/50Hz						
	1624 2295 04		GA 75 ID 170 460V/60Hz						
	1619 7767 33		GA 75 ID 170 500V/50Hz						
	1619 7767 30		GA 75 ID 170 575V/60Hz						
	1624 2295 02		GA 75 ID 120 400V/50Hz						
	1624 2294 05		GA 75 ID 120 460V/60Hz						
	1624 2295 05		GA 75 ID 170 200-230V/50Hz						
	1624 2295 03		GA 75 ID 170 200-230V/60Hz						
	1624 2295 04		GA 75 ID 170 380V/60Hz						
	1624 2295 06		GA 75 ID 170 400V/50Hz						
	1624 2295 04		GA 75 ID 170 460V/60Hz						
	1619 7767 33		GA 75 ID 170 500V/50Hz						
	1619 7767 30		GA 75 ID 170 575V/60Hz						
9011	0333 3227 00	• 4	Ser. washer						

12



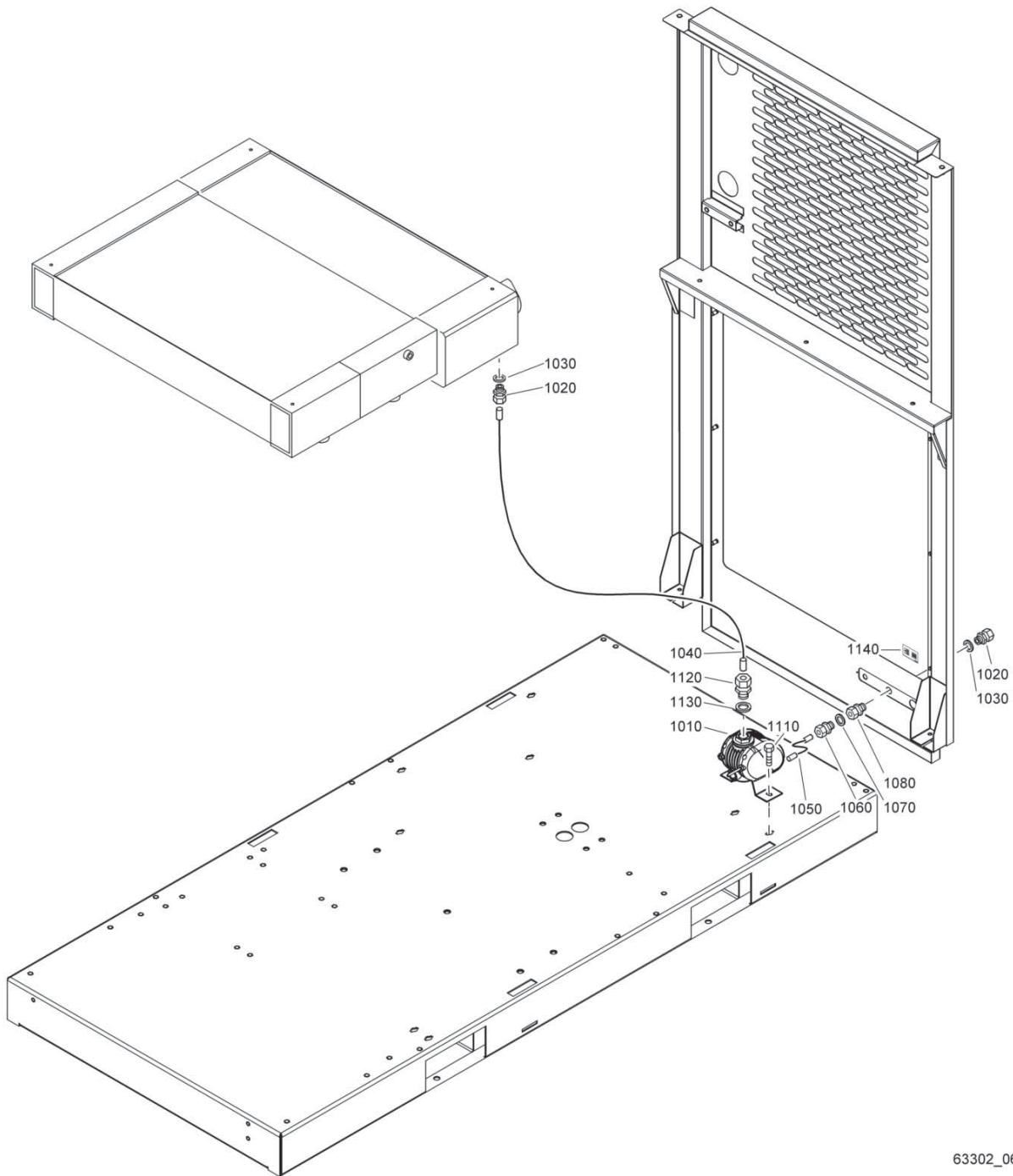
63428_17

Air dryer - Full Feature

Ref.	Part number	Qty	Name	Remarks	Ref.	Part number	Qty	Name	Remarks
9100	0300 8019 00	• 4	Washer		11005	• 1	Crankcase heater		
9123	0348 0101 13	• 10	Cable tie		1624 2313 80		GA 30+ ID 95 400V/50Hz		
9130	1617 3077 85	• 1	Temp.sensor		1624 2313 80		GA 30+ ID 170		
9165	0226 3256 00	• 2	Screw				200-230V/50Hz		
9200	1089 9139 04	• 1	Fan switch		1624 2313 80		GA 30+ ID 170		
9210	0348 0111 06	• 1	Connector				200-230V/60Hz		
9230	0226 3343 07	• 2	Tapping screw		1624 2313 80		GA 30+ ID 170 380V/60Hz		
9231	0348 0111 06	• 1	Connector		1624 2365 80		GA 30+ ID 170 500V/50Hz		
9250	1619 5703 00	• 1	High press. switch		1624 2365 80		GA 30+ ID 170 575V/60Hz		
9280	0301 2315 00	• 2	Washer		1624 2313 80		GA 30+ ID 95 400V/50Hz		
10021	• 1	• 1	Wiring		1624 2313 80		GA 37+ ID 170		
	1624 2360 80		GA 30+ ID 95 400V/50Hz				200-230V/50Hz		
	1624 2364 80		GA 30+ ID 95 460V/60Hz		1624 2313 80		GA 37+ ID 170		
	1624 2360 80		GA 30+ ID 170				200-230V/60Hz		
	1624 2362 80		GA 30+ ID 170		1624 2313 80		GA 37+ ID 170 380V/60Hz		
	1624 2362 80		GA 30+ ID 170 380V/60Hz		1624 2313 80		GA 37+ ID 170 400V/50Hz		
	1624 2360 80		GA 30+ ID 170 500V/50Hz		1624 2365 80		GA 37+ ID 170 500V/50Hz		
	1624 2362 80		GA 30+ ID 170 575V/60Hz		1624 2365 80		GA 37+ ID 170 575V/60Hz		
	1624 2360 80		GA 37+ ID 95 400V/50Hz		1624 2313 80		GA 45+ ID 120 400V/50Hz		
	1624 2364 80		GA 37+ ID 95 460V/60Hz		1624 2313 80		GA 45+ ID 170		
	1624 2364 80		GA 37+ ID 120 460V/60Hz				200-230V/50Hz		
	1624 2360 80		GA 37+ ID 170		1624 2313 80		GA 45+ ID 170		
	1624 2362 80		GA 37+ ID 170				200-230V/60Hz		
	1624 2362 80		GA 37+ ID 170 380V/60Hz		1624 2313 80		GA 45+ ID 170 380V/60Hz		
	1624 2360 80		GA 37+ ID 170 400V/50Hz		1624 2313 80		GA 45+ ID 170 400V/50Hz		
	1624 2360 80		GA 37+ ID 170 500V/50Hz		1624 2313 80		GA 45+ ID 170 460V/60Hz		
	1624 2362 80		GA 37+ ID 170 575V/60Hz		1624 2365 80		GA 45+ ID 170 500V/50Hz		
	1624 2360 80		GA 45+ ID 120 400V/50Hz		1624 2365 80		GA 45+ ID 170 575V/60Hz		
	1624 2364 80		GA 45+ ID 120 460V/60Hz		1624 2313 80		GA 55 ID 120 400V/50Hz		
	1624 2360 80		GA 45+ ID 170				200-230V/50Hz		
	1624 2362 80		GA 45+ ID 170		1624 2313 80		GA 55 ID 170		
	1624 2362 80		GA 45+ ID 170 380V/60Hz				200-230V/60Hz		
	1624 2360 80		GA 45+ ID 170 400V/50Hz		1624 2313 80		GA 55 ID 170 380V/60Hz		
	1624 2362 80		GA 45+ ID 170 460V/60Hz		1624 2313 80		GA 55 ID 170 400V/50Hz		
	1624 2360 80		GA 45+ ID 170 500V/50Hz		1624 2313 80		GA 55 ID 170 460V/60Hz		
	1624 2362 80		GA 45+ ID 170 575V/60Hz		1624 2365 80		GA 55 ID 170 500V/50Hz		
	1624 2360 80		GA 55 ID 120 400V/50Hz		1624 2365 80		GA 55 ID 170 575V/60Hz		
	1624 2364 80		GA 55 ID 120 460V/60Hz		1624 2313 80		GA 75 ID 120 400V/50Hz		
	1624 2360 80		GA 55 ID 170				GA 75 ID 170		
	1624 2362 80		GA 55 ID 170				200-230V/50Hz		
	1624 2362 80		GA 55 ID 170 380V/60Hz		1624 2313 80		GA 75 ID 170 380V/60Hz		
	1624 2360 80		GA 55 ID 170 400V/50Hz		1624 2313 80		GA 75 ID 170 400V/50Hz		
	1624 2362 80		GA 55 ID 170 460V/60Hz		1624 2313 80		GA 75 ID 170 460V/60Hz		
	1624 2360 80		GA 55 ID 170 500V/50Hz		1624 2365 80		GA 75 ID 170 500V/50Hz		
	1624 2362 80		GA 55 ID 170 575V/60Hz		1624 2365 80		GA 75 ID 170 575V/60Hz		
	1624 2360 80		GA 75 ID 120 400V/50Hz				GA 75 ID 170 380V/60Hz		
	1624 2364 80		GA 75 ID 120 460V/60Hz				GA 75 ID 170 400V/50Hz		
	1624 2360 80		GA 75 ID 170				GA 75 ID 170 460V/60Hz		
	1624 2362 80		GA 75 ID 170				GA 75 ID 170 500V/50Hz		
	1624 2362 80		GA 75 ID 170 380V/60Hz				GA 75 ID 170 575V/60Hz		
	1624 2360 80		GA 75 ID 170 400V/50Hz				GA 75 ID 170 380V/60Hz		
	1624 2362 80		GA 75 ID 170 460V/60Hz				GA 75 ID 170 400V/50Hz		
	1624 2360 80		GA 75 ID 170 500V/50Hz				GA 75 ID 170 460V/60Hz		
	1624 2362 80		GA 75 ID 170 575V/60Hz				GA 75 ID 170 500V/50Hz		
	1624 2361 00	•• 1	Plate		1088 0015 02	•• 1	Crankcase heater		
						•• 1	Connector		
						•• 1	Clamp		
					1624 2389 00		ID 95 400V/50Hz		
					1624 2389 00		ID 120 400V/50Hz		
					1624 2389 00		ID 170 200-230V/50Hz		
					1624 2389 00		ID 170 200-230V/60Hz		
					1624 2389 00		ID 170 380V/60Hz		
					1624 2389 00		ID 170 400V/50Hz		
					1624 2389 00		ID 170 460V/60Hz		
					1088 0015 14	•• 2	Pin contact		

13

Drain system - Pack - GA (A)

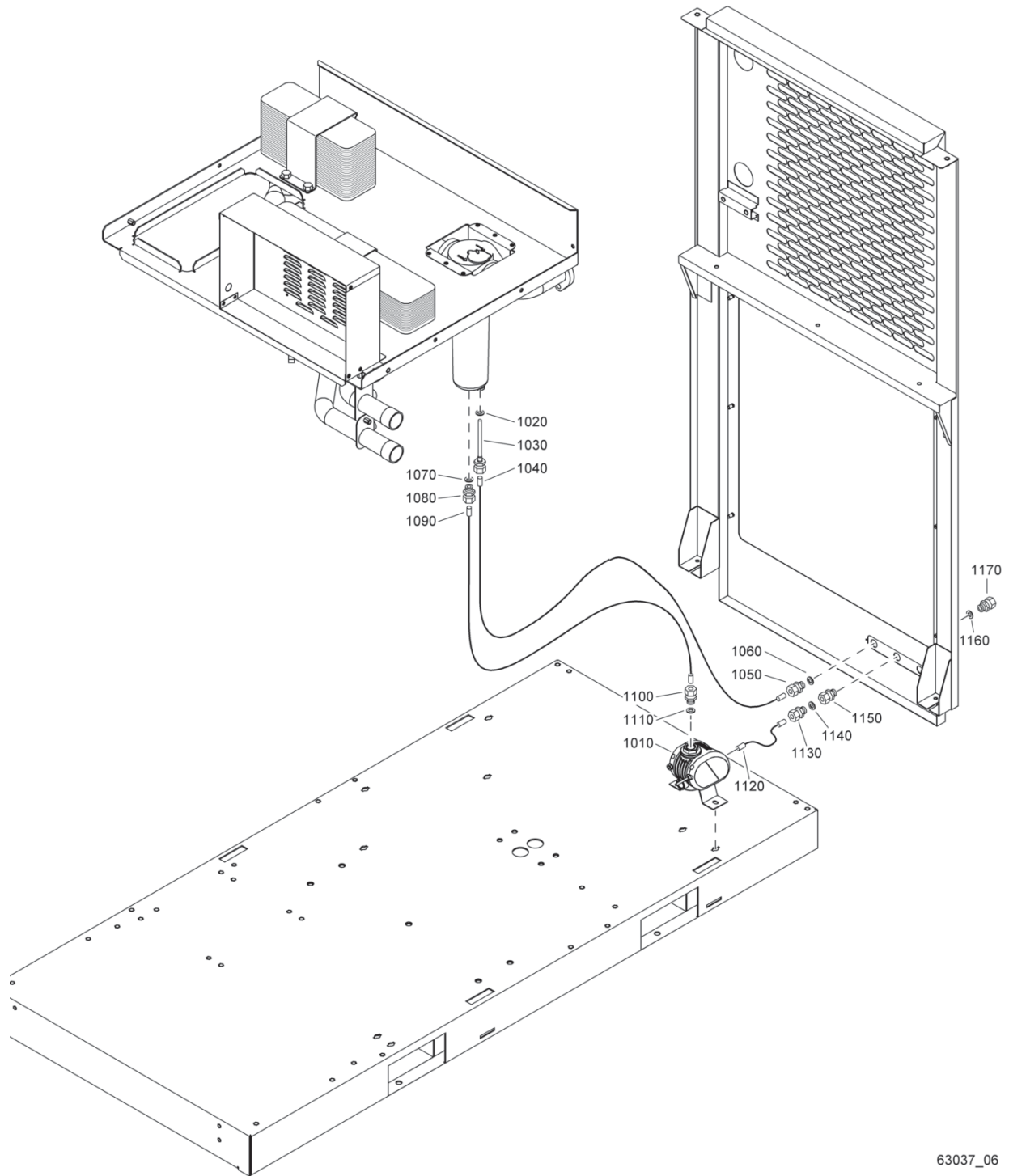


63302_06

63302_06

Ref.	Part number	Qty	Name	Remarks	Ref.	Part number	Qty	Name	Remarks
1010	1622 3798 81	1	Drain assembly		1070	0661 1000 38	1	Seal washer	
1020	0581 0000 71	2	Pipe coupling		1080	0581 0000 87	1	Pipe coupling	
1030	0661 1000 39	2	Seal washer		1110	0147 1963 08	2	Hexagon bolt	
1040	0070 6002 13	AR	Nylon tube		1120	0581 0000 73	1	Pipe coupling	
1050	0070 6002 05	AR	Plastic tube		1130	0661 1000 39	1	Seal washer	
1060	0581 0000 35	1	Coupling		1140	1079 9915 89	1	Label	

Drain system - Pack - GA (W)

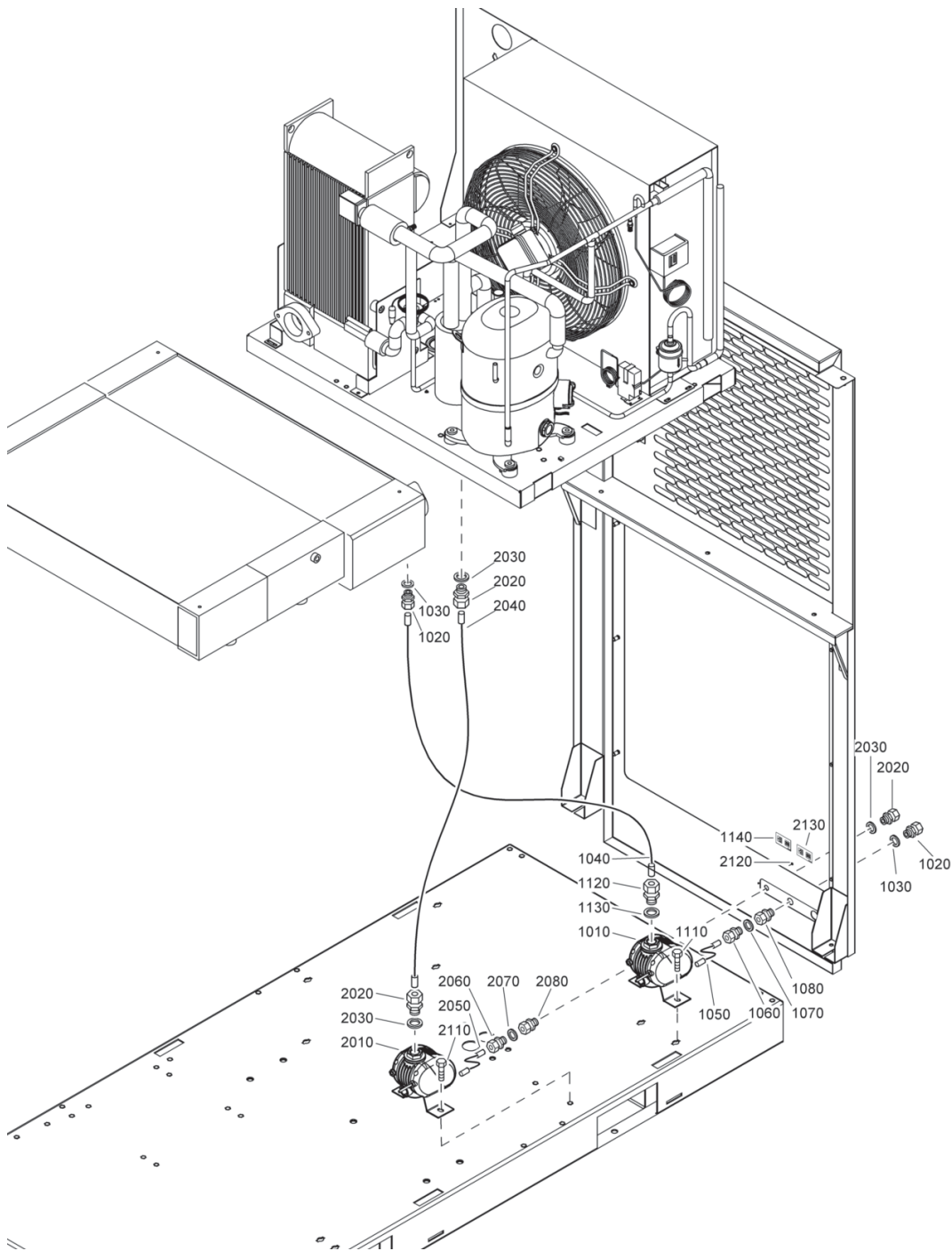


63037_06

Ref.	Part number	Qty	Name	Remarks	Ref.	Part number	Qty	Name	Remarks
1010	1622 3798 81	1	Drain assembly		1100	0581 0000 73	1	Pipe coupling	
1020	0661 1000 38	1	Seal washer		1110	0661 1000 39	1	Seal washer	
1030	1613 8084 00	1	Pipe coupling		1120	0070 6002 05	AR	Plastic tube	
1040	0070 6002 03	AR	Tube		1130	0581 0000 35	1	Coupling	
1050	0581 0000 73	1	Pipe coupling		1140	0661 1000 38	1	Seal washer	
1060	0661 1000 39	1	Seal washer		1150	0581 0000 87	1	Pipe coupling	
1070	0661 1000 39	1	Seal washer		1160	0661 1000 38	1	Seal washer	
1080	0581 0000 73	1	Pipe coupling		1170	0581 0000 35	1	Coupling	
1090	0070 6002 06	AR	Plastic tube						

15

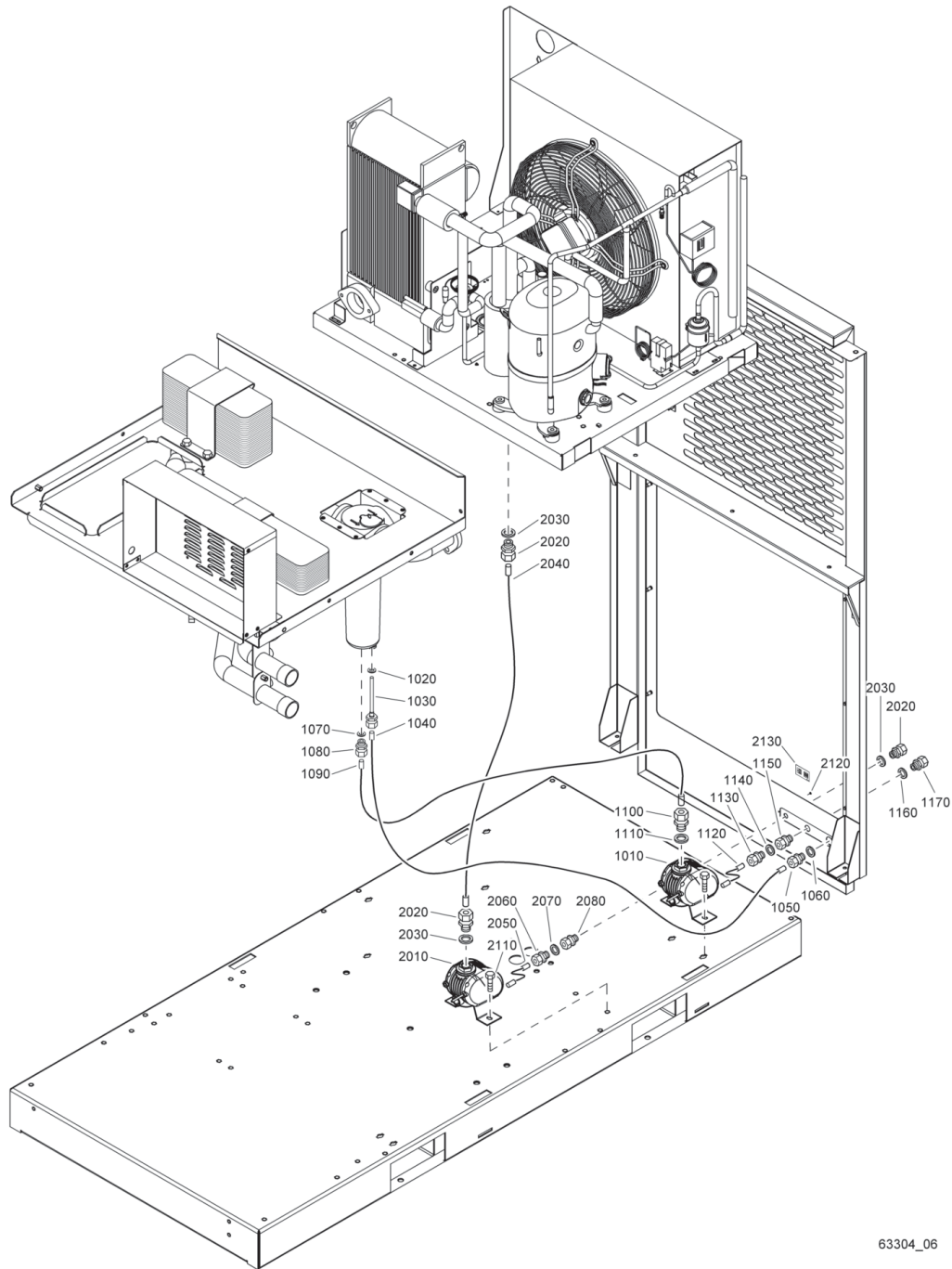
Drain system - Full Feature - GA (A)



63303_06

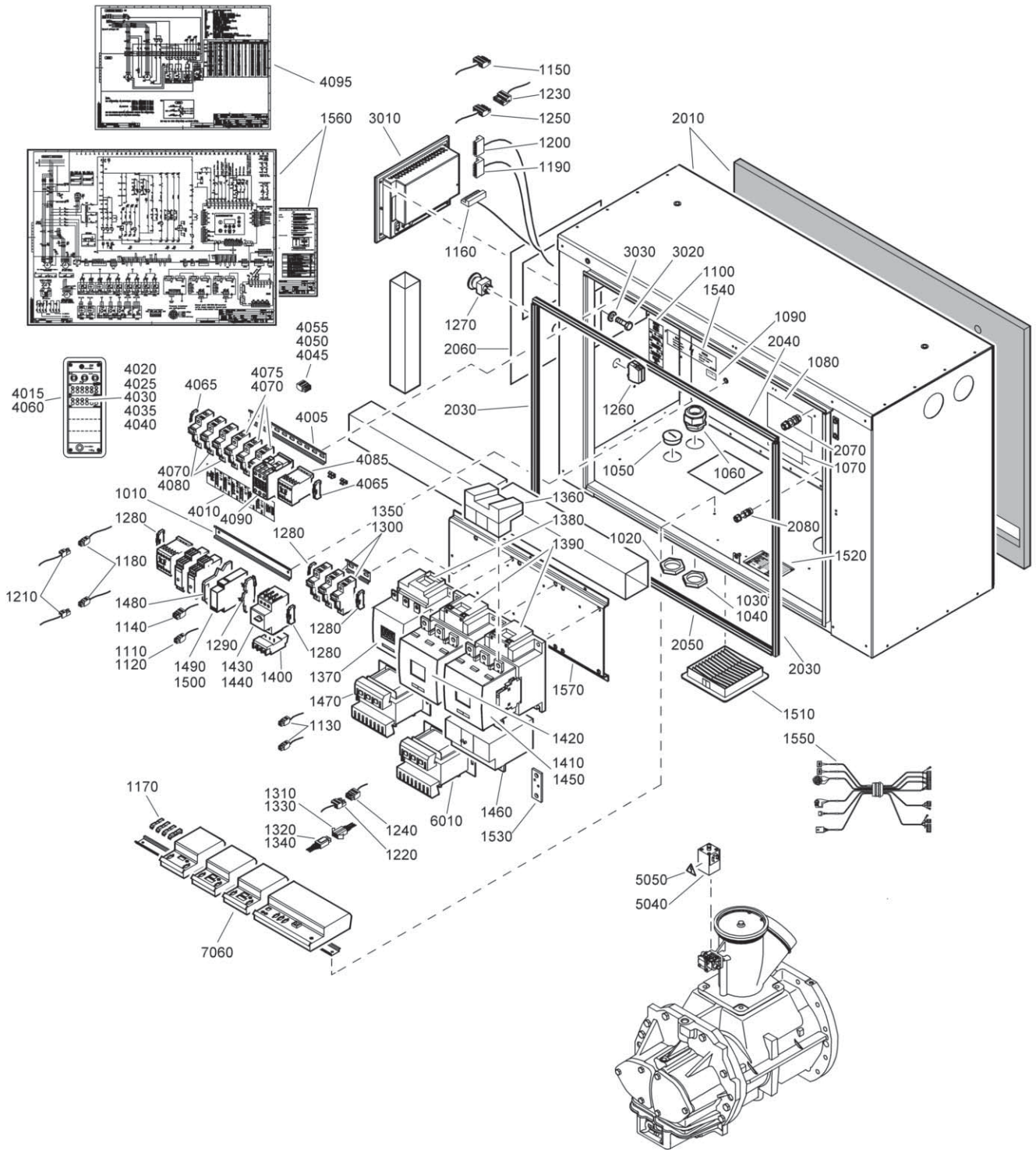
Ref.	Part number	Qty	Name	Remarks	Ref.	Part number	Qty	Name	Remarks
1010	1622 3798 81	1	Drain assembly		2010	1622 3798 81	1	Drain assembly	
1020	0581 0000 71	2	Pipe coupling		2020	0581 0000 71	2	Pipe coupling	
1030	0661 1000 39	2	Seal washer		2030	0661 1000 39	2	Seal washer	
1040	0070 6002 13	AR	Nylon tube		2040	0070 6002 13	AR	Nylon tube	
1050	0070 6002 05	AR	Plastic tube		2050	0070 6002 05	AR	Plastic tube	
1060	0581 0000 35	1	Coupling		2060	0581 0000 35	1	Coupling	
1070	0661 1000 38	1	Seal washer		2070	0661 1000 38	1	Seal washer	
1080	0581 0000 87	1	Pipe coupling		2080	0581 0000 87	1	Pipe coupling	
1110	0147 1963 08	2	Hexagon bolt		2110	0147 1963 08	2	Hexagon bolt	
1120	0581 0000 73	1	Pipe coupling		2120	0298 1000 43	2	Blind rivet nut	
1130	0661 1000 39	1	Seal washer		2130	1079 9915 89	1	Label	
1140	1079 9915 89	1	Label						

Drain system - Full Feature - GA (W)



Ref.	Part number	Qty	Name	Remarks	Ref.	Part number	Qty	Name	Remarks
1010	1622 3798 81	1	Drain assembly		1150	0581 0000 87	1	Pipe coupling	
1020	0661 1000 38	1	Seal washer		1160	0661 1000 38	1	Seal washer	
1030	1613 8084 00	1	Pipe coupling		1170	0581 0000 35	1	Coupling	
1040	0070 6002 03	AR	Tube		2010	1622 3798 81	1	Drain assembly	
1050	0581 0000 73	1	Pipe coupling		2020	0581 0000 71	2	Pipe coupling	
1060	0661 1000 39	1	Seal washer		2030	0661 1000 39	2	Seal washer	
1070	0661 1000 39	1	Seal washer		2040	0070 6002 13	AR	Nylon tube	
1080	0581 0000 73	1	Pipe coupling		2050	0070 6002 05	AR	Plastic tube	
1090	0070 6002 06	AR	Plastic tube		2060	0581 0000 35	1	Coupling	
1100	0581 0000 73	1	Pipe coupling		2070	0661 1000 38	1	Seal washer	
1110	0661 1000 39	1	Seal washer		2080	0581 0000 87	1	Pipe coupling	
1120	0070 6002 05	AR	Plastic tube		2110	0147 1963 08	2	Hexagon bolt	
1130	0581 0000 35	1	Coupling		2120	0298 1000 43	2	Blind rivet nut	
1140	0661 1000 38	1	Seal washer		2130	1079 9915 89	1	Label	

17

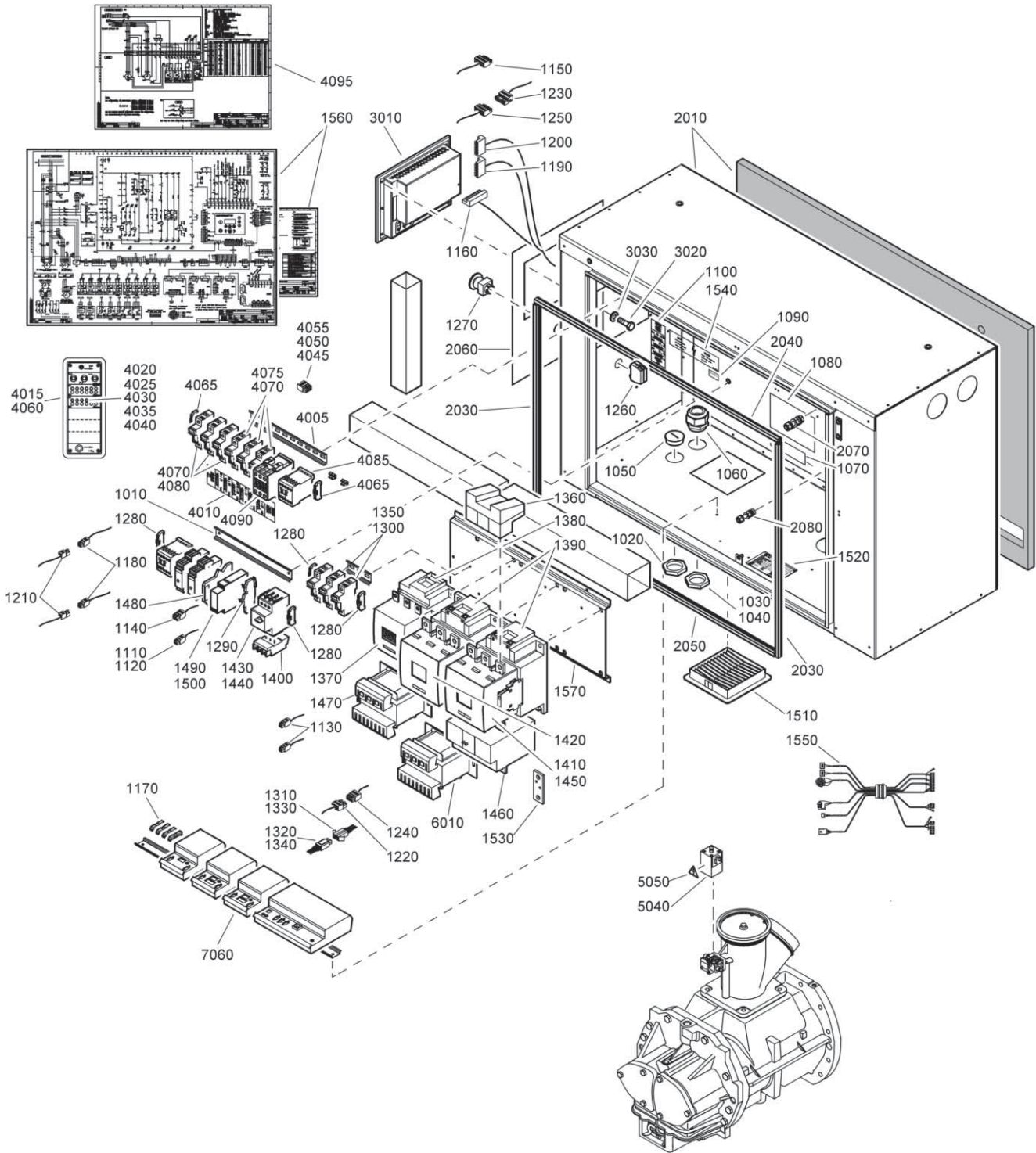


62986_12

Cubicle - CSA/UL

Ref.	Part number	Qty	Name	Remarks	Ref.	Part number	Qty	Name	Remarks
		1	Cubicle		1250	1088 0037 06	• 1	Connector	
	1900 2074 55		GA 30+ (A/W) 200V/60Hz		1260	1089 0362 50	• 2	Contact block	
	1900 2074 55		GA 30+ (A/W) 230V/60Hz		1270	1089 0362 51	• 1	Push button	
	1900 2074 51		GA 30+ (A/W) 460V/60Hz		1280	1089 0506 30	• 4	End bracket	
	1900 2074 51		GA 30+ (A/W) 575V/60Hz		1290	1089 0506 75	• 1	Terminal	
	1900 2074 55		GA 37+ (A/W) 200V/60Hz		1300	1089 0612 01	• 2	Fuse holder	
	1900 2074 55		GA 37+ (A/W) 230V/60Hz		1310	1089 0700 01	• 1	Connector	
	1900 2074 52		GA 37+ (A/W) 460V/60Hz		1320	1089 0700 02	• 1	Connector	
	1900 2074 51		GA 37+ (A/W) 575V/60Hz		1330	1089 0700 03	• 8	Connector pin	
	1900 2074 55		GA 45+ (A/W) 200V/60Hz		1340	1089 0700 04	• 8	Connector socket	
	1900 2074 55		GA 45+ (A/W) 230V/60Hz		1350		• 2	Fuse link	
	1900 2074 53		GA 45+ (A/W) 460V/60Hz			1089 9168 26		GA 30+ (A/W) 200V/60Hz	
	1900 2074 52		GA 45+ (A/W) 575V/60Hz			1089 9168 26		GA 30+ (A/W) 230V/60Hz	
	1900 2074 56		GA 55 (A/W) 200V/60Hz			1089 9168 26		GA 30+ (A/W) 460V/60Hz	
	1900 2074 56		GA 55 (A/W) 230V/60Hz			1089 9168 26		GA 30+ (A/W) 575V/60Hz	
	1900 2074 54		GA 55 (A/W) 460V/60Hz			1089 9168 26		GA 37+ (A/W) 200V/60Hz	
	1900 2074 54		GA 55 (A/W) 575V/60Hz			1089 9168 26		GA 37+ (A/W) 230V/60Hz	
	1900 2074 60		GA 75 (A/W) 200V/60Hz			1089 9168 26		GA 37+ (A/W) 460V/60Hz	
	1900 2074 56		GA 75 (A/W) 230V/60Hz			1089 9168 26		GA 37+ (A/W) 575V/60Hz	
	1900 2074 57		GA 75 (A/W) 460V/60Hz			1089 9168 26		GA 45+ (A/W) 200V/60Hz	
	1900 2074 54		GA 75 (A/W) 575V/60Hz			1089 9168 26		GA 45+ (A/W) 230V/60Hz	
1010	0090 1400 02	•	AR Rail			1089 9168 26		GA 45+ (A/W) 460V/60Hz	
1020	0697 9809 06	• 1	Lock nut			1089 9168 26		GA 45+ (A/W) 575V/60Hz	
1030	0697 9809 21	• 1	Lock nut			1089 9168 34		GA 55 (A/W) 200V/60Hz	
1040	0697 9809 24	• 1	Lock nut			1089 9168 34		GA 55 (A/W) 230V/60Hz	
1050	0697 9810 38	• 1	Plug			1089 9168 26		GA 55 (A/W) 460V/60Hz	
1060	0698 5140 72	• 1	Cable gland			1089 9168 26		GA 55 (A/W) 575V/60Hz	
1070	1079 9901 68	• 1	Warning label			1089 9168 34		GA 75 (A/W) 200V/60Hz	
1080	1079 9906 09	• 1	Label			1089 9168 34		GA 75 (A/W) 230V/60Hz	
1090	1079 9911 01	• 1	Label			1089 9168 26		GA 75 (A/W) 460V/60Hz	
1100		• 1	Label fuse values			1089 9168 26		GA 75 (A/W) 575V/60Hz	
	1079 9924 26		GA 30+ (A/W) 200V/60Hz		1360		• 1	Cover for terminal	
	1079 9924 26		GA 30+ (A/W) 230V/60Hz			1089 9362 04		GA 45+ (A/W) 460V/60Hz	
	1079 9924 26		GA 30+ (A/W) 460V/60Hz			1089 9362 04		GA 55 (A/W) 460V/60Hz	
	1079 9924 26		GA 30+ (A/W) 575V/60Hz			1089 9362 04		GA 55 (A/W) 575V/60Hz	
	1079 9924 26		GA 37+ (A/W) 200V/60Hz			1089 9362 04		GA 75 (A/W) 460V/60Hz	
	1079 9924 26		GA 37+ (A/W) 230V/60Hz			1089 9362 04		GA 75 (A/W) 575V/60Hz	
	1079 9924 26		GA 37+ (A/W) 460V/60Hz		1370	1089 9415 09	• 1	Contact block	
	1079 9924 26		GA 37+ (A/W) 575V/60Hz		1380		• 1	Contact	
	1079 9924 26		GA 45+ (A/W) 200V/60Hz			1089 9415 44		GA 30+ (A/W) 200V/60Hz	
	1079 9924 26		GA 45+ (A/W) 230V/60Hz			1089 9415 44		GA 30+ (A/W) 230V/60Hz	
	1079 9924 26		GA 45+ (A/W) 460V/60Hz			1089 9415 34		GA 30+ (A/W) 460V/60Hz	
	1079 9924 26		GA 45+ (A/W) 575V/60Hz			1089 9415 34		GA 30+ (A/W) 575V/60Hz	
	1079 9925 28		GA 55 (A/W) 200V/60Hz			1089 9415 44		GA 37+ (A/W) 200V/60Hz	
	1079 9925 28		GA 55 (A/W) 230V/60Hz			1089 9415 44		GA 37+ (A/W) 230V/60Hz	
	1079 9924 26		GA 55 (A/W) 460V/60Hz			1089 9415 34		GA 37+ (A/W) 460V/60Hz	
	1079 9924 26		GA 55 (A/W) 575V/60Hz			1089 9415 34		GA 37+ (A/W) 575V/60Hz	
	1079 9925 28		GA 75 (A/W) 200V/60Hz			1089 9415 44		GA 45+ (A/W) 200V/60Hz	
	1079 9925 28		GA 75 (A/W) 230V/60Hz			1089 9415 44		GA 45+ (A/W) 230V/60Hz	
	1079 9924 26		GA 75 (A/W) 460V/60Hz			1089 9415 34		GA 45+ (A/W) 460V/60Hz	
	1079 9924 26		GA 75 (A/W) 575V/60Hz			1089 9415 34		GA 45+ (A/W) 575V/60Hz	
1110	1088 0015 02	• 1	Connector plug			1089 9415 61		GA 55 (A/W) 200V/60Hz	
1120	1088 0015 36	• 2	Connector socket			1089 9415 61		GA 55 (A/W) 230V/60Hz	
1130	1088 0037 30	• 2	Connector			1089 9415 35		GA 55 (A/W) 460V/60Hz	
1140	1088 0037 31	• 1	Connector			1089 9415 35		GA 55 (A/W) 575V/60Hz	
1150	1088 0037 33	• 1	Connector			1089 9415 62		GA 75 (A/W) 200V/60Hz	
1160	1088 0031 13	• 1	Connector			1089 9415 61		GA 75 (A/W) 230V/60Hz	
1170	1088 0031 18	• 4	Adaptor			1089 9415 44		GA 75 (A/W) 460V/60Hz	
1180	1088 0031 22	• 2	Connector			1089 9415 35		GA 75 (A/W) 575V/60Hz	
1190	1088 0031 29	• 1	Connector		1390		• 2	Contact	
1200	1088 0031 49	• 1	Connector			1089 9415 61		GA 30+ (A/W) 200V/60Hz	
1210	1088 0031 82	• 2	Connector			1089 9415 61		GA 30+ (A/W) 230V/60Hz	
1220	1088 0031 84	• 1	Connector			1089 9415 35		GA 30+ (A/W) 460V/60Hz	
1230	1088 0031 86	• 1	Connector			1089 9415 35		GA 30+ (A/W) 575V/60Hz	
1240	1088 0037 04	• 1	Connector			1089 9415 61		GA 37+ (A/W) 200V/60Hz	

17

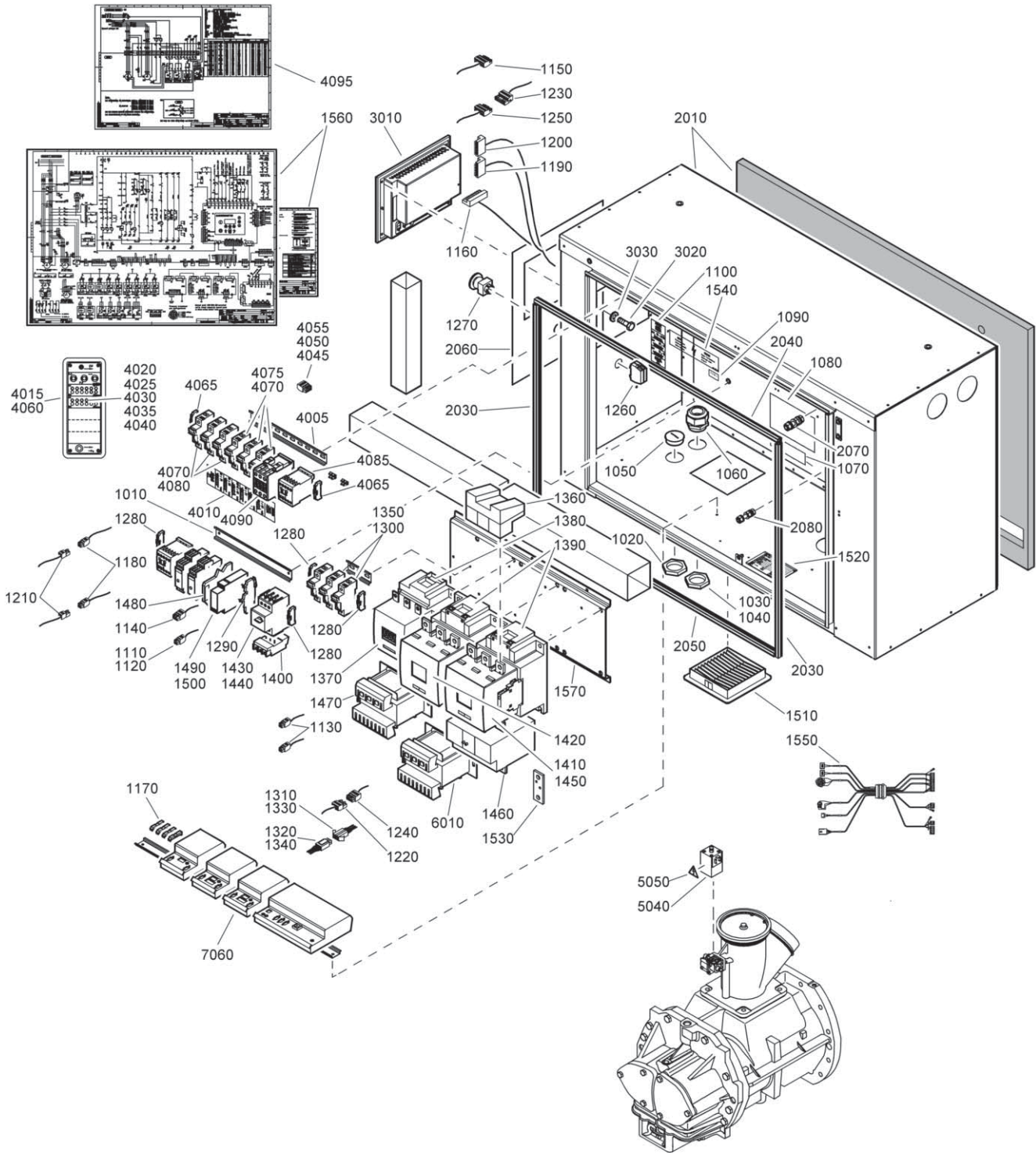


62986_12

Cubicle - CSA/UL

Ref.	Part number	Qty	Name	Remarks	Ref.	Part number	Qty	Name	Remarks
	1089 9415 61		GA 37+ (A/W) 230V/60Hz			1089 9416 93		GA 37+ (A/W) 575V/60Hz	
	1089 9415 36		GA 37+ (A/W) 460V/60Hz			1089 9416 93		GA 45+ (A/W) 575V/60Hz	
	1089 9415 35		GA 37+ (A/W) 575V/60Hz		1460		• 1	Overload relay	
	1089 9415 61		GA 45+ (A/W) 200V/60Hz			1089 9446 21		GA 30+ (A/W) 200V/60Hz	
	1089 9415 61		GA 45+ (A/W) 230V/60Hz			1089 9446 21		GA 30+ (A/W) 230V/60Hz	
	1089 9415 44		GA 45+ (A/W) 460V/60Hz			1089 9424 39		GA 30+ (A/W) 460V/60Hz	
	1089 9415 36		GA 45+ (A/W) 575V/60Hz			1089 9424 39		GA 30+ (A/W) 575V/60Hz	
	1089 9415 81		GA 55 (A/W) 200V/60Hz			1089 9446 21		GA 37+ (A/W) 200V/60Hz	
	1089 9415 81		GA 55 (A/W) 230V/60Hz			1089 9446 21		GA 37+ (A/W) 230V/60Hz	
	1089 9415 45		GA 55 (A/W) 460V/60Hz			1089 9424 40		GA 37+ (A/W) 460V/60Hz	
	1089 9415 45		GA 55 (A/W) 575V/60Hz			1089 9424 39		GA 37+ (A/W) 575V/60Hz	
	1089 9415 83		GA 75 (A/W) 200V/60Hz			1089 9446 21		GA 45+ (A/W) 200V/60Hz	
	1089 9415 81		GA 75 (A/W) 230V/60Hz			1089 9446 21		GA 45+ (A/W) 230V/60Hz	
	1089 9415 46		GA 75 (A/W) 460V/60Hz			1089 9424 46		GA 45+ (A/W) 460V/60Hz	
	1089 9415 45		GA 75 (A/W) 575V/60Hz			1089 9424 40		GA 45+ (A/W) 575V/60Hz	
1400	1089 9416 01	• 1	Aux. contact block			1089 9446 22		GA 55 (A/W) 200V/60Hz	
1410		• 1	Contact block			1089 9446 22		GA 55 (A/W) 230V/60Hz	
	1089 9415 55		GA 30+ (A/W) 460V/60Hz			1089 9424 46		GA 55 (A/W) 460V/60Hz	
	1089 9415 55		GA 30+ (A/W) 575V/60Hz			1089 9424 46		GA 55 (A/W) 575V/60Hz	
	1089 9415 55		GA 37+ (A/W) 460V/60Hz			1089 9446 22		GA 75 (A/W) 200V/60Hz	
	1089 9415 55		GA 37+ (A/W) 575V/60Hz			1089 9446 22		GA 75 (A/W) 230V/60Hz	
	1089 9415 55		GA 45+ (A/W) 460V/60Hz			1089 9424 48		GA 75 (A/W) 460V/60Hz	
	1089 9415 55		GA 45+ (A/W) 575V/60Hz			1089 9424 46		GA 75 (A/W) 575V/60Hz	
	1089 9415 55		GA 55 (A/W) 460V/60Hz		1470		• 1	Transformer	
	1089 9415 55		GA 55 (A/W) 575V/60Hz			1089 9436 45		GA 30+ (A/W) 200V/60Hz	
	1089 9415 55		GA 75 (A/W) 460V/60Hz			1089 9436 45		GA 30+ (A/W) 230V/60Hz	
	1089 9415 55		GA 75 (A/W) 575V/60Hz			1089 9436 44		GA 30+ (A/W) 460V/60Hz	
1420		• 1	Contact block			1089 9436 44		GA 30+ (A/W) 575V/60Hz	
	1089 9415 56		GA 30+ (A/W) 460V/60Hz			1089 9436 45		GA 37+ (A/W) 200V/60Hz	
	1089 9415 56		GA 30+ (A/W) 575V/60Hz			1089 9436 45		GA 37+ (A/W) 230V/60Hz	
	1089 9415 56		GA 37+ (A/W) 460V/60Hz			1089 9436 44		GA 37+ (A/W) 460V/60Hz	
	1089 9415 56		GA 37+ (A/W) 575V/60Hz			1089 9436 44		GA 37+ (A/W) 575V/60Hz	
	1089 9415 56		GA 45+ (A/W) 460V/60Hz			1089 9436 45		GA 45+ (A/W) 200V/60Hz	
	1089 9415 56		GA 45+ (A/W) 575V/60Hz			1089 9436 45		GA 45+ (A/W) 230V/60Hz	
	1089 9415 56		GA 55 (A/W) 460V/60Hz			1089 9436 45		GA 45+ (A/W) 460V/60Hz	
	1089 9415 56		GA 55 (A/W) 575V/60Hz			1089 9436 44		GA 45+ (A/W) 575V/60Hz	
	1089 9415 56		GA 75 (A/W) 460V/60Hz			1089 9436 47		GA 55 (A/W) 200V/60Hz	
	1089 9415 56		GA 75 (A/W) 575V/60Hz			1089 9436 47		GA 55 (A/W) 230V/60Hz	
1430		• 1	Circuit breaker			1089 9436 45		GA 55 (A/W) 460V/60Hz	
	1089 9416 67		GA 30+ 200V/60Hz			1089 9436 45		GA 55 (A/W) 575V/60Hz	
	1089 9416 67		GA 30+ 230V/60Hz			1089 9436 47		GA 75 (A/W) 200V/60Hz	
	1089 9416 63		GA 30+ 460V/60Hz			1089 9436 47		GA 75 (A/W) 230V/60Hz	
	1089 9416 63		GA 30+ 575V/60Hz			1089 9436 45		GA 75 (A/W) 460V/60Hz	
	1089 9416 67		GA 37+ 200V/60Hz			1089 9436 45		GA 75 (A/W) 575V/60Hz	
	1089 9416 67		GA 37+ 230V/60Hz		1480	1089 9511 15	• 1	Socket for relay	
	1089 9416 63		GA 37+ 460V/60Hz		1490	1089 9511 16	• 1	Clip for relay	
	1089 9416 63		GA 37+ 575V/60Hz		1500	1089 9511 51	• 1	Relay	
	1089 9416 67		GA 45+ 200V/60Hz		1510	1089 9556 05	• 1	Air inlet with filter	
	1089 9416 67		GA 45+ 230V/60Hz		1520	1614 8949 00	• 1	Data plate	
	1089 9416 63		GA 45+ 460V/60Hz		1530		• 3	Connection element	
	1089 9416 63		GA 45+ 575V/60Hz			1622 3042 00		GA 30+ (A/W) 200V/60Hz	
	1089 9416 70		GA 55 200V/60Hz			1622 3042 00		GA 30+ (A/W) 230V/60Hz	
	1089 9416 70		GA 55 230V/60Hz			1622 3042 00		GA 37+ (A/W) 200V/60Hz	
	1089 9416 67		GA 55 460V/60Hz			1622 3042 00		GA 37+ (A/W) 230V/60Hz	
	1089 9416 67		GA 55 575V/60Hz			1622 3042 00		GA 45+ (A/W) 200V/60Hz	
	1089 9416 70		GA 75 200V/60Hz			1622 3042 00		GA 45+ (A/W) 230V/60Hz	
	1089 9416 70		GA 75 230V/60Hz			1622 1692 00		GA 45+ (A/W) 460V/60Hz	
	1089 9416 67		GA 75 460V/60Hz			1622 3042 10		GA 55 (A/W) 200V/60Hz	
	1089 9416 67		GA 75 575V/60Hz			1622 3042 10		GA 55 (A/W) 230V/60Hz	
	1089 9416 62		GA W			1622 1692 00		GA 55 (A/W) 460V/60Hz	
1440	1089 9416 75	• 1	Connection block			1622 1692 00		GA 55 (A/W) 575V/60Hz	
1450		• 1	Supply terminal			1622 3042 10		GA 75 (A/W) 200V/60Hz	
	1089 9416 93		GA 30+ (A/W) 460V/60Hz			1622 3042 10		GA 75 (A/W) 230V/60Hz	
	1089 9416 93		GA 30+ (A/W) 575V/60Hz			1622 1692 00		GA 75 (A/W) 460V/60Hz	
	1089 9416 93		GA 37+ (A/W) 460V/60Hz			1622 1692 00		GA 75 (A/W) 575V/60Hz	

17



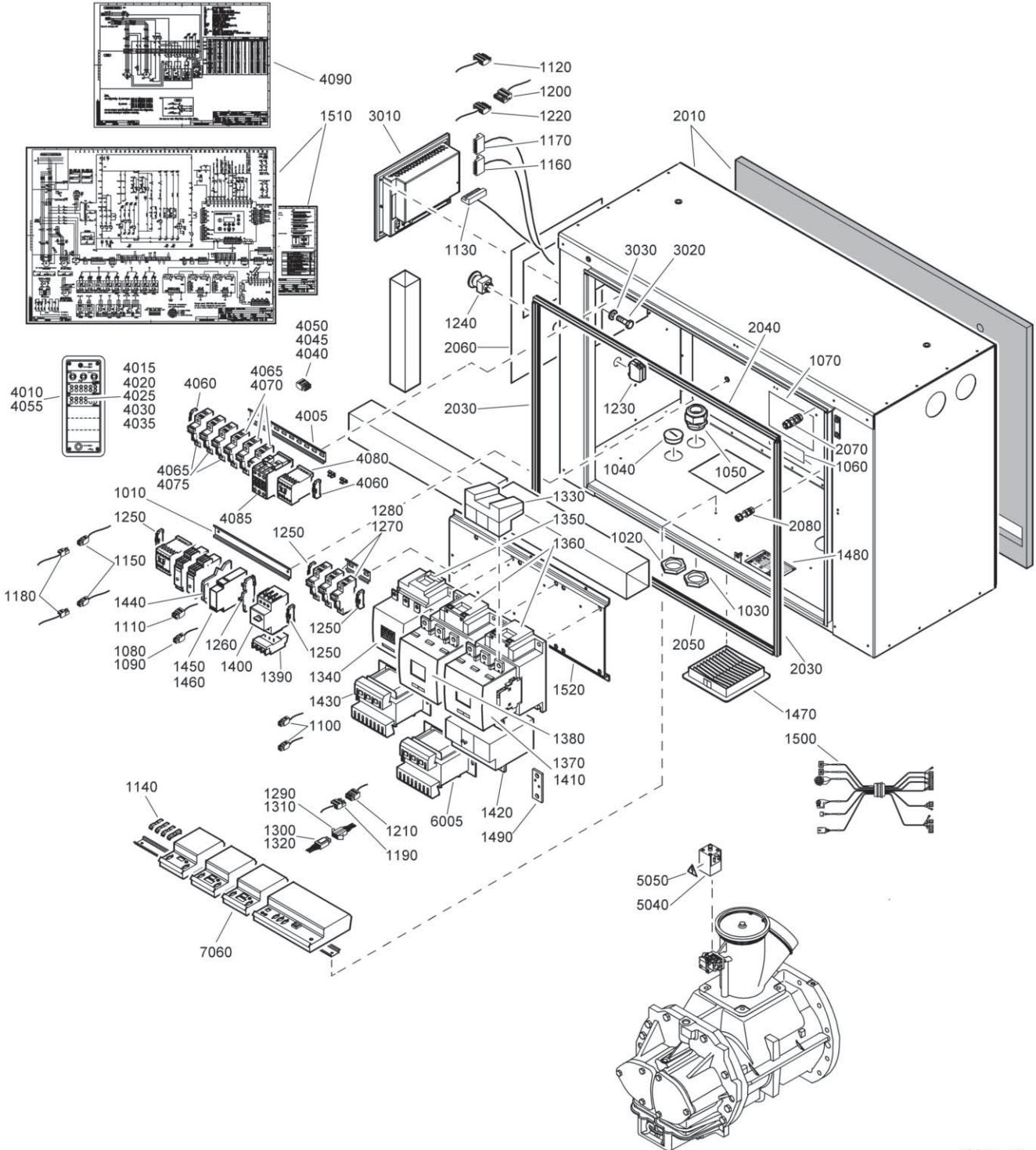
62986_12

Cubicle - CSA/UL

Ref.	Part number	Qty	Name	Remarks
1540	1613 3431 00	• 1	Label	
1550	1622 3124 00	• 1	Wire harness	
1560	9820 3549 01	• 1	Service diagram	
1570		• 1	Plate	
	1622 3399 01		GA 30+ (A/W) 200V/60Hz	
	1622 3399 01		GA 30+ (A/W) 230V/60Hz	
	1622 3399 01		GA 37+ (A/W) 200V/60Hz	
	1622 3399 01		GA 37+ (A/W) 230V/60Hz	
	1622 3399 01		GA 45+ (A/W) 200V/60Hz	
	1622 3399 01		GA 45+ (A/W) 230V/60Hz	
	1622 3399 01		GA 55 (A/W) 200V/60Hz	
	1622 3399 01		GA 55 (A/W) 230V/60Hz	
	1622 3399 01		GA 75 (A/W) 200V/60Hz	
	1622 3399 01		GA 75 (A/W) 230V/60Hz	
	1622 3116 80	• 1	Cubicle	
2010	1622 3116 00	•• 1	Cubicle	1)
2030	1202 6584 01	•• AR	Seal	
2040	1202 6584 01	•• AR	Seal	
2050	1202 6584 01	•• AR	Seal	
2060	1622 3783 00	•• 1	Decal	
2070	1622 3115 51	•• 1	Assembly	
2080	1622 3115 50	•• 1	Assembly	
3010	1900 0710 12	1	Regulator elektronikon	
3020	0147 1169 03	4	Hexagon bolt	
3030	0301 2315 00	4	Washer	
		1	Dryer rail	
	1900 2600 62		CSA/UL	
4005	0090 1400 02	• AR	Rail	
4010	1079 9924 96	• 1	Label fuse values	
4015	1088 0029 17	• 1	Housing for connector	
4020	1088 0029 58	• 6	Crimp contact	
4025	1088 0029 63	• 8	Crimp contact	
4030	1088 0029 82	• 1	Crimp terminal	
4035	1088 0029 86	• 3	Crimp contact	
4040	1088 0029 88	• 2	Crimp terminal	
4045	1088 0031 42	• 1	Connector	
4050	1088 0031 53	• 1	Connector	
4055	1088 0031 55	• 1	Connector	
4060	1088 0036 12	• 1	Frame for connector	
4065	1089 0506 30	• 2	End bracket	
4070	1089 0612 01	• 6	Fuse holder	
4075	1089 9168 02	• 3	Fuse link	
4080	1089 9168 62	• 3	Fuse link	
4085	1089 9415 14	• 1	Contactactor	
4090	1089 9415 25	• 1	Contactactor	
4095	9820 3549 02	• 1	Service diagram	
5040	1089 0702 10	1	Solenoid valve	
5050	1088 1001 01	1	Warning mark	
6010		1	Transformer	
	1089 9436 46		GA (W)	
7060		1	AIE 1 expansion	
	1900 0710 41		GA (W)	

1) Lined with / Bekleed met / Beklädd med / Ausgekleidet mit / Garnir de / Rivestido de / Allineato con / Foret med / Revestido com / Kledd med / Vuorattu :
Foam: 0395 6001 64(AR) 20 x 2040 x 1650

18

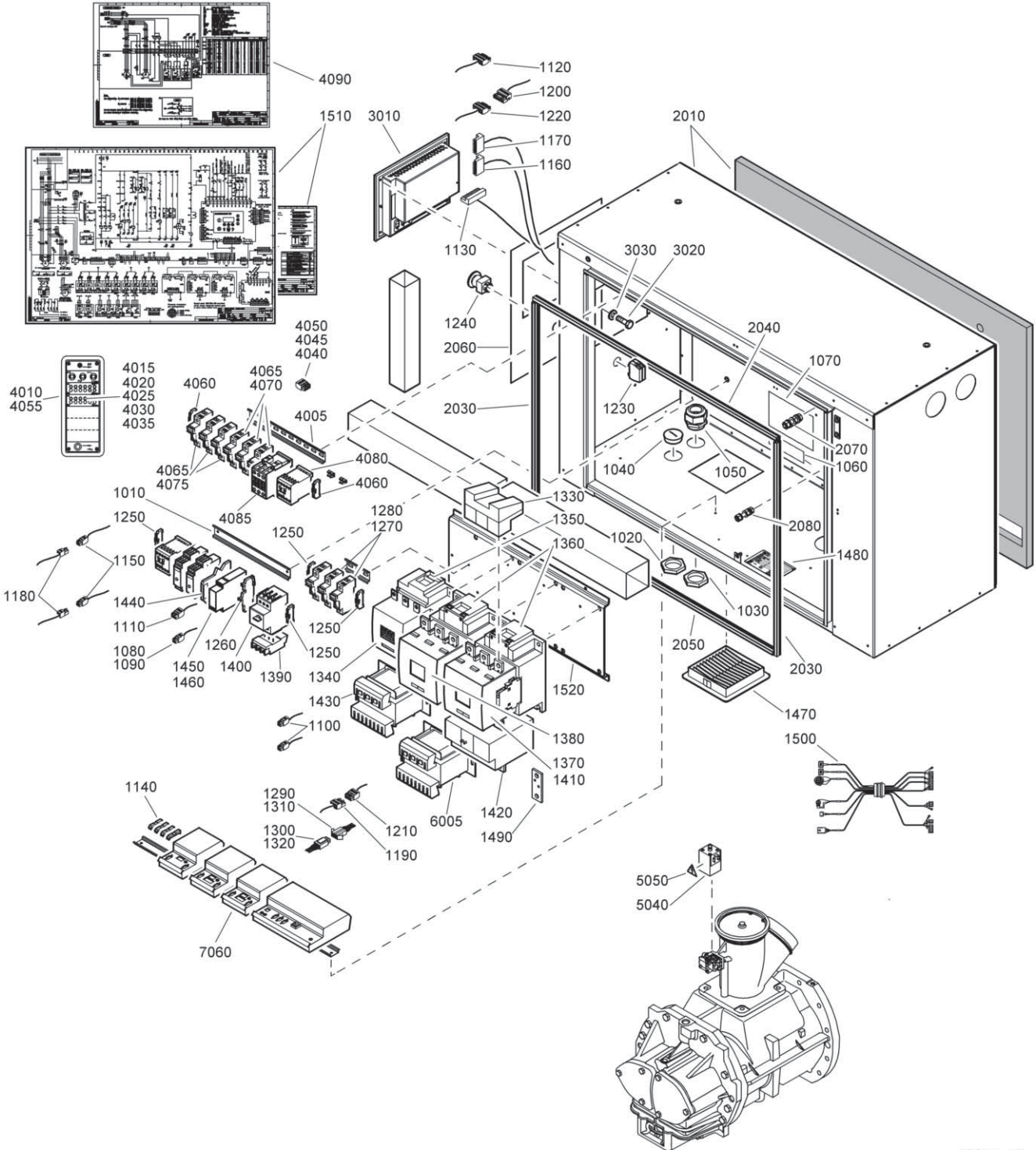


62974_12

Cubicle - IEC

Ref.	Part number	Qty	Name	Remarks	Ref.	Part number	Qty	Name	Remarks
		1	Cubicle		1250	1089 0506 30	• 4	End bracket	
	1900 2074 07		GA 30+ (A/W) 200V/50Hz		1260	1089 0506 75	• 1	Terminal	
	1900 2074 07		GA 30+ (A/W) 200V/60Hz		1270	1089 0612 01	• 2	Fuse holder	
	1900 2074 07		GA 30+ (A/W) 230V/50Hz		1280	1089 0612 24	• 2	Fuse	
	1900 2074 07		GA 30+ (A/W) 230V/60Hz		1290	1089 0700 01	• 1	Connector	
	1900 2074 06		GA 30+ (A/W) 380V/60Hz		1300	1089 0700 02	• 1	Connector	
	1900 2074 01		GA 30+ (A/W) 400V/50Hz		1310	1089 0700 03	• 8	Connector pin	
	1900 2074 06		GA 30+ (A/W) 460V/60Hz		1320	1089 0700 04	• 8	Connector socket	
	1900 2074 06		GA 30+ (A/W) 500V/50Hz		1330		• 1	Cover for terminal	
	1900 2074 09		GA 37+ (A/W) 200V/50Hz			1089 9362 04		GA 30+ (A/W) 200V/50Hz	
	1900 2074 09		GA 37+ (A/W) 200V/60Hz			1089 9362 04		GA 30+ (A/W) 200V/60Hz	
	1900 2074 09		GA 37+ (A/W) 230V/50Hz			1089 9362 04		GA 30+ (A/W) 230V/50Hz	
	1900 2074 09		GA 37+ (A/W) 230V/60Hz			1089 9362 04		GA 30+ (A/W) 230V/60Hz	
	1900 2074 08		GA 37+ (A/W) 380V/60Hz			1089 9362 04		GA 37+ (A/W) 200V/50Hz	
	1900 2074 02		GA 37+ (A/W) 400V/50Hz			1089 9362 04		GA 37+ (A/W) 200V/60Hz	
	1900 2074 10		GA 37+ (A/W) 460V/60Hz			1089 9362 04		GA 37+ (A/W) 230V/50Hz	
	1900 2074 06		GA 37+ (A/W) 500V/50Hz			1089 9362 04		GA 37+ (A/W) 230V/60Hz	
	1900 2074 11		GA 45+ (A/W) 200V/50Hz			1089 9362 04		GA 37+ (A/W) 380V/60Hz	
	1900 2074 11		GA 45+ (A/W) 200V/60Hz			1089 9362 04		GA 45+ (A/W) 380V/60Hz	
	1900 2074 11		GA 45+ (A/W) 230V/50Hz			1089 9362 04		GA 45+ (A/W) 400V/50Hz	
	1900 2074 11		GA 45+ (A/W) 230V/60Hz			1089 9362 04		GA 45+ (A/W) 460V/60Hz	
	1900 2074 08		GA 45+ (A/W) 380V/60Hz			1089 9362 04		GA 45+ (A/W) 500V/50Hz	
	1900 2074 03		GA 45+ (A/W) 400V/50Hz			1089 9362 04		GA 55 (A/W) 380V/60Hz	
	1900 2074 08		GA 45+ (A/W) 460V/60Hz			1089 9362 04		GA 55 (A/W) 400V/50Hz	
	1900 2074 08		GA 45+ (A/W) 500V/50Hz			1089 9362 04		GA 55 (A/W) 460V/60Hz	
	1900 2074 14		GA 55 (A/W) 200V/50Hz			1089 9362 04		GA 55 (A/W) 500V/50Hz	
	1900 2074 14		GA 55 (A/W) 200V/60Hz			1089 9362 04		GA 75 (A/W) 380V/60Hz	
	1900 2074 14		GA 55 (A/W) 230V/50Hz			1089 9362 04		GA 75 (A/W) 400V/50Hz	
	1900 2074 14		GA 55 (A/W) 230V/60Hz			1089 9362 04		GA 75 (A/W) 460V/60Hz	
	1900 2074 13		GA 55 (A/W) 380V/60Hz			1089 9362 04		GA 75 (A/W) 500V/50Hz	
	1900 2074 04		GA 55 (A/W) 400V/50Hz		1340	1089 9415 09	• 1	Contact block	
	1900 2074 13		GA 55 (A/W) 460V/60Hz		1350		• 1	Contact block	
	1900 2074 12		GA 55 (A/W) 500V/50Hz			1089 9415 36		Contact block	
	1900 2074 15		GA 75 (A/W) 200V/50Hz			1089 9415 36		Contact block	
	1900 2074 15		GA 75 (A/W) 200V/60Hz			1089 9415 36		Contact block	
	1900 2074 15		GA 75 (A/W) 230V/50Hz			1089 9415 36		Contact block	
	1900 2074 15		GA 75 (A/W) 230V/60Hz			1089 9415 34		Contact block	
	1900 2074 13		GA 75 (A/W) 380V/60Hz			1089 9415 26		Contact block	
	1900 2074 05		GA 75 (A/W) 400V/50Hz			1089 9415 34		Contact block	
	1900 2074 13		GA 75 (A/W) 460V/60Hz			1089 9415 34		Contact block	
	1900 2074 13		GA 75 (A/W) 500V/50Hz			1089 9415 44		Contact block	
1010	0090 1400 02	•	AR Rail			1089 9415 44		Contact block	
1020	0697 9809 21	• 1	Lock nut			1089 9415 44		Contact block	
1030	0697 9809 24	• 2	Lock nut			1089 9415 44		Contact block	
1040	0697 9810 29	• 1	Plug			1089 9415 35		Contact block	
1050	0698 5140 72	• 1	Cable gland			1089 9415 34		Contact block	
1060	1079 9901 68	• 1	Warning label			1089 9415 34		Contact block	
1070	1079 9906 09	• 1	Label			1089 9415 34		Contact block	
1080	1088 0015 02	• 1	Connector plug			1089 9415 45		Contact block	
1090	1088 0015 36	• 2	Connector socket			1089 9415 45		Contact block	
1100	1088 0037 30	• 2	Connector			1089 9415 45		Contact block	
1110	1088 0037 31	• 1	Connector			1089 9415 45		Contact block	
1120	1088 0037 33	• 1	Connector			1089 9415 35		Contact block	
1130	1088 0031 13	• 1	Connector			1089 9415 34		Contact block	
1140	1088 0031 18	• 4	Adaptor			1089 9415 35		Contact block	
1150	1088 0031 22	• 2	Connector			1089 9415 35		Contact block	
1160	1088 0031 29	• 1	Connector			1089 9415 45		Contact block	
1170	1088 0031 49	• 1	Connector			1089 9415 45		Contact block	
1180	1088 0031 82	• 2	Connector			1089 9415 45		Contact block	
1190	1088 0031 84	• 1	Connector			1089 9415 45		Contact block	
1200	1088 0031 86	• 1	Connector			1089 9415 35		Contact block	
1210	1088 0037 04	• 1	Connector			1089 9415 34		Contact block	
1220	1088 0037 06	• 1	Connector			1089 9415 35		Contact block	
1230	1089 0362 50	• 2	Contact block			1089 9415 34		Contact block	
1240	1089 0362 51	• 1	Push button			1089 9415 61		Contact block	

18

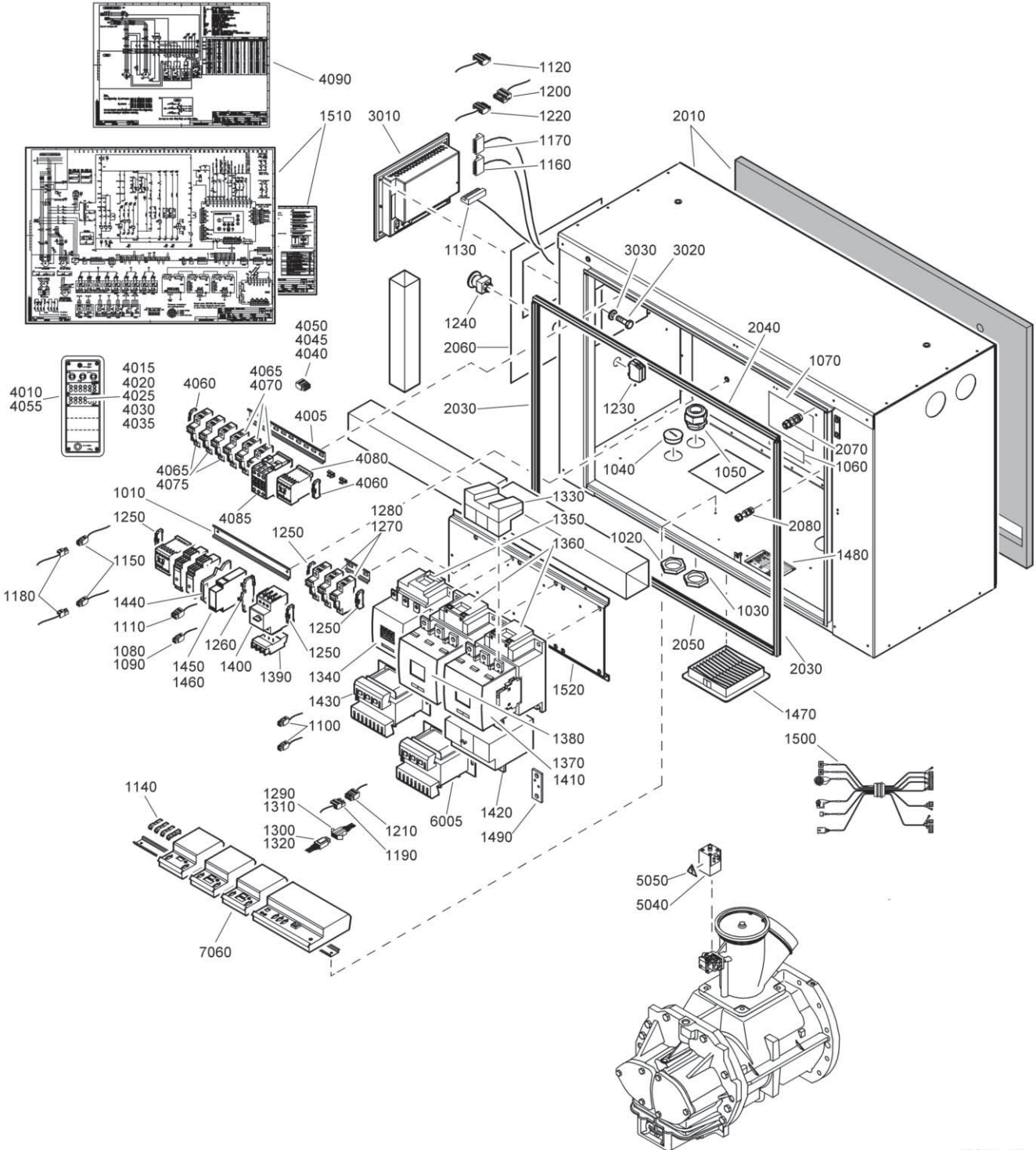


62974_12

Cubicle - IEC

Ref.	Part number	Qty	Name	Remarks	Ref.	Part number	Qty	Name	Remarks
	1089 9415 61		GA 75 (A/W) 200V/60Hz		1089 9416 24		GA 37+ (A/W) 400V/50Hz		
	1089 9415 61		GA 75 (A/W) 230V/50Hz		1089 9416 24		GA 37+ (A/W) 460V/60Hz		
	1089 9415 61		GA 75 (A/W) 230V/60Hz		1089 9416 24		GA 37+ (A/W) 500V/50Hz		
	1089 9415 35		GA 75 (A/W) 380V/60Hz		1089 9416 27		GA 45+ (A/W) 200V/50Hz		
	1089 9415 44		GA 75 (A/W) 400V/50Hz		1089 9416 27		GA 45+ (A/W) 200V/60Hz		
	1089 9415 35		GA 75 (A/W) 460V/60Hz		1089 9416 27		GA 45+ (A/W) 230V/50Hz		
	1089 9415 35		GA 75 (A/W) 500V/50Hz		1089 9416 27		GA 45+ (A/W) 230V/60Hz		
1360		• 2	Contactor		1089 9416 24		GA 45+ (A/W) 380V/60Hz		
	1089 9415 45		GA 30+ (A/W) 200V/50Hz		1089 9416 24		GA 45+ (A/W) 400V/50Hz		
	1089 9415 45		GA 30+ (A/W) 200V/60Hz		1089 9416 24		GA 45+ (A/W) 460V/60Hz		
	1089 9415 45		GA 30+ (A/W) 230V/50Hz		1089 9416 24		GA 45+ (A/W) 500V/50Hz		
	1089 9415 45		GA 30+ (A/W) 230V/60Hz		1089 9416 30		GA 55 (A/W) 200V/50Hz		
	1089 9415 35		GA 30+ (A/W) 380V/60Hz		1089 9416 30		GA 55 (A/W) 200V/60Hz		
	1089 9415 35		GA 30+ (A/W) 400V/50Hz		1089 9416 30		GA 55 (A/W) 230V/50Hz		
	1089 9415 35		GA 30+ (A/W) 460V/60Hz		1089 9416 30		GA 55 (A/W) 230V/60Hz		
	1089 9415 35		GA 30+ (A/W) 500V/50Hz		1089 9416 28		GA 55 (A/W) 380V/60Hz		
	1089 9415 45		GA 37+ (A/W) 200V/50Hz		1089 9416 27		GA 55 (A/W) 400V/50Hz		
	1089 9415 45		GA 37+ (A/W) 200V/60Hz		1089 9416 28		GA 55 (A/W) 460V/60Hz		
	1089 9415 45		GA 37+ (A/W) 230V/50Hz		1089 9416 26		GA 55 (A/W) 500V/50Hz		
	1089 9415 45		GA 37+ (A/W) 230V/60Hz		1089 9416 71		GA 75 (A/W) 200V/50Hz		
	1089 9415 44		GA 37+ (A/W) 380V/60Hz		1089 9416 71		GA 75 (A/W) 200V/60Hz		
	1089 9415 36		GA 37+ (A/W) 400V/50Hz		1089 9416 71		GA 75 (A/W) 230V/50Hz		
	1089 9415 36		GA 37+ (A/W) 460V/60Hz		1089 9416 71		GA 75 (A/W) 230V/60Hz		
	1089 9415 35		GA 37+ (A/W) 500V/50Hz		1089 9416 28		GA 75 (A/W) 380V/60Hz		
	1089 9415 61		GA 45+ (A/W) 200V/50Hz		1089 9416 29		GA 75 (A/W) 400V/50Hz		
	1089 9415 61		GA 45+ (A/W) 200V/60Hz		1089 9416 28		GA 75 (A/W) 460V/60Hz		
	1089 9415 61		GA 45+ (A/W) 230V/50Hz		1089 9416 28		GA 75 (A/W) 500V/50Hz		
	1089 9415 61		GA 45+ (A/W) 230V/60Hz		1410	• 1	Supply terminal		
	1089 9415 44		GA 45+ (A/W) 380V/60Hz		1089 9416 93		GA 30+ (A/W) 400V/50Hz		
	1089 9415 44		GA 45+ (A/W) 400V/50Hz		1089 9416 93		GA 30+ (A/W) 500V/50Hz		
	1089 9415 44		GA 45+ (A/W) 460V/60Hz		1089 9416 93		GA 37+ (A/W) 400V/50Hz		
	1089 9415 44		GA 45+ (A/W) 500V/50Hz		1089 9416 93		GA 37+ (A/W) 460V/60Hz		
	1089 9415 61		GA 55 (A/W) 200V/50Hz		1089 9416 93		GA 37+ (A/W) 500V/50Hz		
	1089 9415 61		GA 55 (A/W) 200V/60Hz		1089 9416 93		GA 30+ (A/W) 380V/60Hz		
	1089 9415 61		GA 55 (A/W) 230V/50Hz		1089 9416 93		GA 30+ (A/W) 460V/60Hz		
	1089 9415 61		GA 55 (A/W) 230V/60Hz		1089 9416 75		GA 75 (A/W) 200V/50Hz		
	1089 9415 44		GA 55 (A/W) 380V/60Hz		1089 9416 75		GA 75 (A/W) 230V/50Hz		
	1089 9415 44		GA 55 (A/W) 400V/50Hz		1420	• 1	Overload relay		
	1089 9415 44		GA 55 (A/W) 460V/60Hz		1089 9424 47		GA 30+ (A/W) 200V/50Hz		
	1089 9415 44		GA 55 (A/W) 500V/50Hz		1089 9424 47		GA 30+ (A/W) 200V/60Hz		
	1089 9415 81		GA 75 (A/W) 200V/50Hz		1089 9424 47		GA 30+ (A/W) 230V/50Hz		
	1089 9415 81		GA 75 (A/W) 200V/60Hz		1089 9424 47		GA 30+ (A/W) 230V/60Hz		
	1089 9415 81		GA 75 (A/W) 230V/50Hz		1089 9424 39		GA 30+ (A/W) 380V/60Hz		
	1089 9415 81		GA 75 (A/W) 230V/60Hz		1089 9424 40		GA 30+ (A/W) 400V/50Hz		
	1089 9415 44		GA 75 (A/W) 380V/60Hz		1089 9424 39		GA 30+ (A/W) 460V/60Hz		
	1089 9415 45		GA 75 (A/W) 400V/50Hz		1089 9424 39		GA 30+ (A/W) 500V/50Hz		
	1089 9415 44		GA 75 (A/W) 460V/60Hz		1089 9424 49		GA 37+ (A/W) 200V/50Hz		
	1089 9415 44		GA 75 (A/W) 500V/50Hz		1089 9424 49		GA 37+ (A/W) 200V/60Hz		
1370	1089 9415 55	• 1	Contact block		1089 9424 49		GA 37+ (A/W) 230V/50Hz		
1380	1089 9415 56	• 1	Contact block		1089 9424 49		GA 37+ (A/W) 230V/60Hz		
1390	1089 9416 01	• 1	Aux. contact block		1089 9424 46		GA 37+ (A/W) 380V/60Hz		
1400		• 1	Circuit breaker		1089 9424 41		GA 37+ (A/W) 400V/50Hz		
	1089 9416 27		GA 30+ (A/W) 200V/50Hz		1089 9424 40		GA 37+ (A/W) 460V/60Hz		
	1089 9416 27		GA 30+ (A/W) 200V/60Hz		1089 9424 39		GA 37+ (A/W) 500V/50Hz		
	1089 9416 27		GA 30+ (A/W) 230V/50Hz		1089 9446 21		GA 45+ (A/W) 200V/50Hz		
	1089 9416 27		GA 30+ (A/W) 230V/60Hz		1089 9446 21		GA 45+ (A/W) 200V/60Hz		
	1089 9416 24		GA 30+ (A/W) 380V/60Hz		1089 9446 21		GA 45+ (A/W) 230V/50Hz		
	1089 9416 24		GA 30+ (A/W) 400V/50Hz		1089 9446 21		GA 45+ (A/W) 230V/60Hz		
	1089 9416 24		GA 30+ (A/W) 460V/60Hz		1089 9424 46		GA 45+ (A/W) 380V/60Hz		
	1089 9416 24		GA 30+ (A/W) 500V/50Hz		1089 9424 46		GA 45+ (A/W) 400V/50Hz		
	1089 9416 27		GA 37+ (A/W) 200V/50Hz		1089 9424 46		GA 45+ (A/W) 460V/60Hz		
	1089 9416 27		GA 37+ (A/W) 200V/60Hz		1089 9424 46		GA 45+ (A/W) 500V/50Hz		
	1089 9416 27		GA 37+ (A/W) 230V/50Hz		1089 9446 21		GA 55 (A/W) 200V/50Hz		
	1089 9416 27		GA 37+ (A/W) 230V/60Hz		1089 9446 21		GA 55 (A/W) 200V/60Hz		
	1089 9416 24		GA 37+ (A/W) 380V/60Hz		1089 9446 21		GA 55 (A/W) 230V/50Hz		

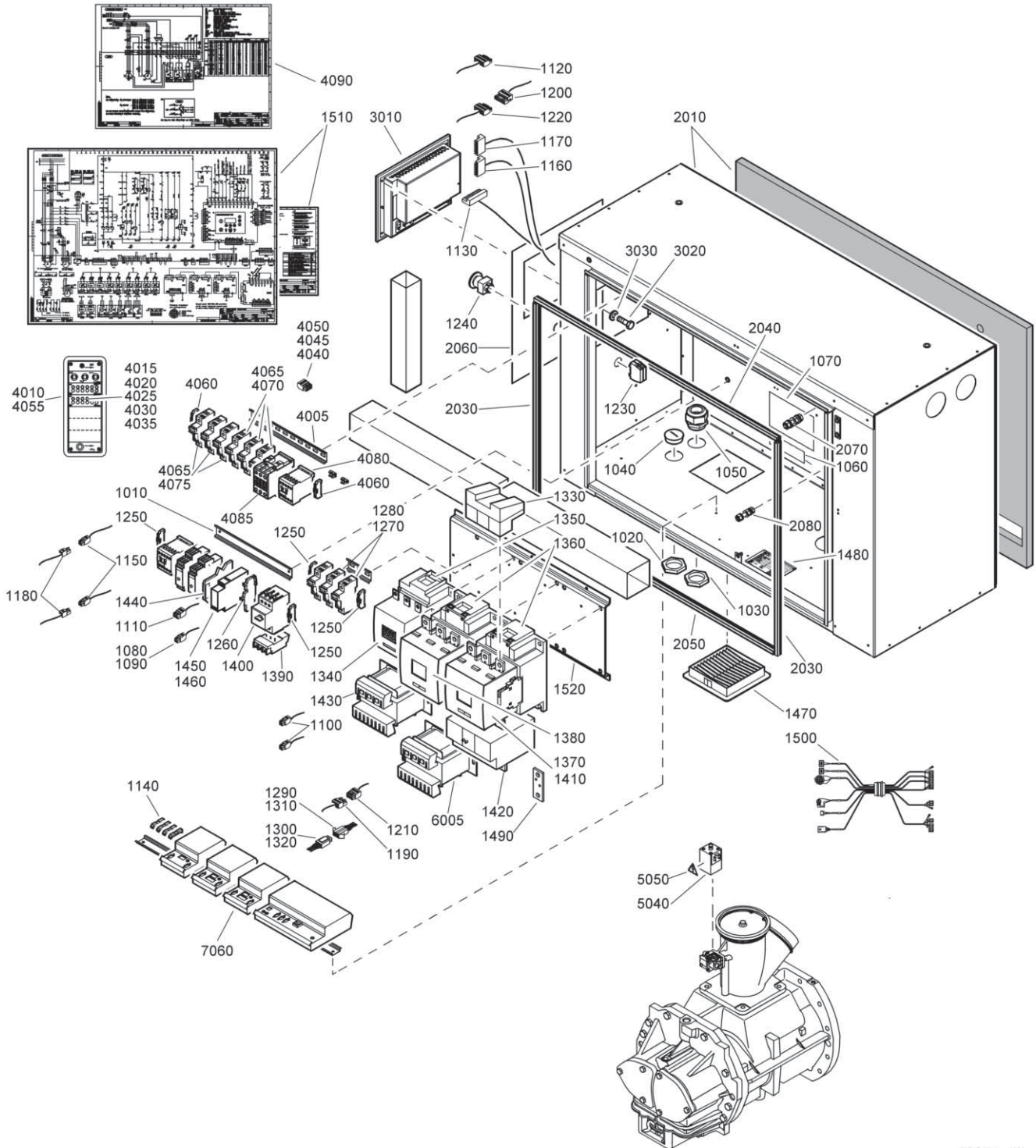
18



Cubicle - IEC

Ref.	Part number	Qty	Name	Remarks	Ref.	Part number	Qty	Name	Remarks
	1089 9446 21		GA 55 (A/W) 230V/60Hz		1622 1692 00	3	GA 37+ (A/W) 200V/60Hz		
	1089 9424 46		GA 55 (A/W) 380V/60Hz		1622 1692 00	3	GA 37+ (A/W) 230V/50Hz		
	1089 9424 47		GA 55 (A/W) 400V/50Hz		1622 1692 00	3	GA 37+ (A/W) 230V/60Hz		
	1089 9424 46		GA 55 (A/W) 460V/60Hz		1622 1692 00	3	GA 37+ (A/W) 380V/60Hz		
	1089 9424 46		GA 55 (A/W) 500V/50Hz		1622 3042 00	6	GA 45+ (A/W) 200V/50Hz		
	1089 9446 22		GA 75 (A/W) 200V/50Hz		1622 3042 00	6	GA 45+ (A/W) 200V/60Hz		
	1089 9446 22		GA 75 (A/W) 200V/60Hz		1622 3042 00	6	GA 45+ (A/W) 230V/50Hz		
	1089 9446 22		GA 75 (A/W) 230V/50Hz		1622 3042 00	6	GA 45+ (A/W) 230V/60Hz		
	1089 9446 22		GA 75 (A/W) 230V/60Hz		1622 1692 00	3	GA 45+ (A/W) 380V/60Hz		
	1089 9424 46		GA 75 (A/W) 380V/60Hz		1622 1692 00	3	GA 45+ (A/W) 400V/50Hz		
	1089 9424 49		GA 75 (A/W) 400V/50Hz		1622 1692 00	3	GA 45+ (A/W) 460V/60Hz		
	1089 9424 46		GA 75 (A/W) 460V/60Hz		1622 1692 00	3	GA 45+ (A/W) 500V/50Hz		
	1089 9424 46		GA 75 (A/W) 500V/50Hz		1622 3042 00	6	GA 55 (A/W) 200V/50Hz		
1430		• 1	Transformer		1622 3042 00	6	GA 55 (A/W) 200V/60Hz		
	1089 9436 45		GA 30+ (A/W) 200V/50Hz		1622 3042 00	6	GA 55 (A/W) 230V/50Hz		
	1089 9436 45		GA 30+ (A/W) 200V/60Hz		1622 3042 00	6	GA 55 (A/W) 230V/60Hz		
	1089 9436 45		GA 30+ (A/W) 230V/50Hz		1622 1692 00	3	GA 55 (A/W) 380V/60Hz		
	1089 9436 45		GA 30+ (A/W) 230V/60Hz		1622 1692 00	3	GA 55 (A/W) 400V/50Hz		
	1089 9436 44		GA 30+ (A/W) 380V/60Hz		1622 1692 00	3	GA 55 (A/W) 460V/60Hz		
	1089 9436 39		GA 30+ (A/W) 400V/50Hz		1622 1692 00	3	GA 55 (A/W) 500V/50Hz		
	1089 9436 44		GA 30+ (A/W) 460V/60Hz		1622 3042 10	3	GA 75 (A/W) 200V/50Hz		
	1089 9436 44		GA 30+ (A/W) 500V/50Hz		1622 3042 10	3	GA 75 (A/W) 200V/60Hz		
	1089 9436 45		GA 37+ (A/W) 200V/50Hz		1622 3042 10	3	GA 75 (A/W) 230V/50Hz		
	1089 9436 45		GA 37+ (A/W) 200V/60Hz		1622 3042 10	3	GA 75 (A/W) 230V/60Hz		
	1089 9436 45		GA 37+ (A/W) 230V/50Hz		1622 1692 00	3	GA 75 (A/W) 380V/60Hz		
	1089 9436 45		GA 37+ (A/W) 230V/60Hz		1622 1692 00	3	GA 75 (A/W) 400V/50Hz		
	1089 9436 45		GA 37+ (A/W) 380V/60Hz		1622 1692 00	3	GA 75 (A/W) 460V/60Hz		
	1089 9436 39		GA 37+ (A/W) 400V/50Hz		1622 1692 00	3	GA 75 (A/W) 500V/50Hz		
	1089 9436 44		GA 37+ (A/W) 460V/60Hz	1500	1622 3124 00	• 1	Wire harness		
	1089 9436 44		GA 37+ (A/W) 500V/50Hz	1510	9820 3549 01	• 1	Service diagram		
	1089 9436 45		GA 45+ (A/W) 200V/50Hz	1520		• 1	Plate		
	1089 9436 45		GA 45+ (A/W) 200V/60Hz		1622 3399 01		GA 45+ (A/W) 200V/50Hz		
	1089 9436 45		GA 45+ (A/W) 230V/50Hz		1622 3399 01		GA 45+ (A/W) 200V/60Hz		
	1089 9436 45		GA 45+ (A/W) 230V/60Hz		1622 3399 01		GA 45+ (A/W) 230V/50Hz		
	1089 9436 45		GA 45+ (A/W) 380V/60Hz		1622 3399 01		GA 45+ (A/W) 230V/60Hz		
	1089 9436 40		GA 45+ (A/W) 400V/50Hz		1622 3399 01		GA 55 (A/W) 200V/50Hz		
	1089 9436 45		GA 45+ (A/W) 460V/60Hz		1622 3399 01		GA 55 (A/W) 200V/60Hz		
	1089 9436 45		GA 45+ (A/W) 500V/50Hz		1622 3399 01		GA 55 (A/W) 230V/50Hz		
	1089 9436 45		GA 55 (A/W) 200V/50Hz		1622 3399 01		GA 55 (A/W) 230V/60Hz		
	1089 9436 45		GA 55 (A/W) 200V/60Hz		1622 3399 01		GA 75 (A/W) 200V/50Hz		
	1089 9436 45		GA 55 (A/W) 230V/50Hz		1622 3399 01		GA 75 (A/W) 200V/60Hz		
	1089 9436 45		GA 55 (A/W) 230V/60Hz		1622 3399 01		GA 75 (A/W) 230V/50Hz		
	1089 9436 45		GA 55 (A/W) 380V/60Hz		1622 3399 01		GA 75 (A/W) 230V/60Hz		
	1089 9436 40		GA 55 (A/W) 400V/50Hz		1622 3116 80	• 1	Cubicle		
	1089 9436 45		GA 55 (A/W) 460V/60Hz	2010	1622 3116 00	• 1	Cubicle	1)	
	1089 9436 45		GA 55 (A/W) 500V/50Hz	2030	1202 6584 01	•• AR	Seal		
	1089 9436 47		GA 75 (A/W) 200V/50Hz	2040	1202 6584 01	•• AR	Seal		
	1089 9436 47		GA 75 (A/W) 200V/60Hz	2050	1202 6584 01	•• AR	Seal		
	1089 9436 47		GA 75 (A/W) 230V/50Hz	2060	1622 3783 00	•• 1	Decal		
	1089 9436 47		GA 75 (A/W) 230V/60Hz	2070	1622 3115 51	•• 1	Assembly		
	1089 9436 45		GA 75 (A/W) 380V/60Hz	2080	1622 3115 50	•• 1	Assembly		
	1089 9436 40		GA 75 (A/W) 400V/50Hz	3010	1900 0710 12	1	Regulator elektronikon		
	1089 9436 45		GA 75 (A/W) 460V/60Hz	3020	0147 1169 03	4	Hexagon bolt		
	1089 9436 45		GA 75 (A/W) 500V/50Hz	3030	0301 2315 00	4	Washer		
1440	1089 9511 15	• 1	Socket for relay			1	Dryer rail		
1450	1089 9511 16	• 1	Clip for relay		1900 2600 61		IEC		
1460	1089 9511 51	• 1	Relay	4005	0090 1400 02	• AR	Rail		
1470	1089 9556 05	• 1	Air inlet with filter	4010	1088 0029 17	• 1	Housing for connector		
1480	1613 6639 00	• 1	Data plate	4015	1088 0029 58	• 6	Crimp contact		
1490		•	Connection element	4020	1088 0029 63	• 8	Crimp contact		
	1622 1692 00	3	GA 30+ (A/W) 200V/50Hz	4025	1088 0029 82	• 1	Crimp terminal		
	1622 1692 00	3	GA 30+ (A/W) 200V/60Hz	4030	1088 0029 86	• 3	Crimp contact		
	1622 1692 00	3	GA 30+ (A/W) 230V/50Hz	4035	1088 0029 88	• 2	Crimp terminal		
	1622 1692 00	3	GA 30+ (A/W) 230V/60Hz	4040	1088 0031 42	• 1	Connector		
	1622 1692 00	3	GA 37+ (A/W) 200V/50Hz	4045	1088 0031 53	• 1	Connector		

18

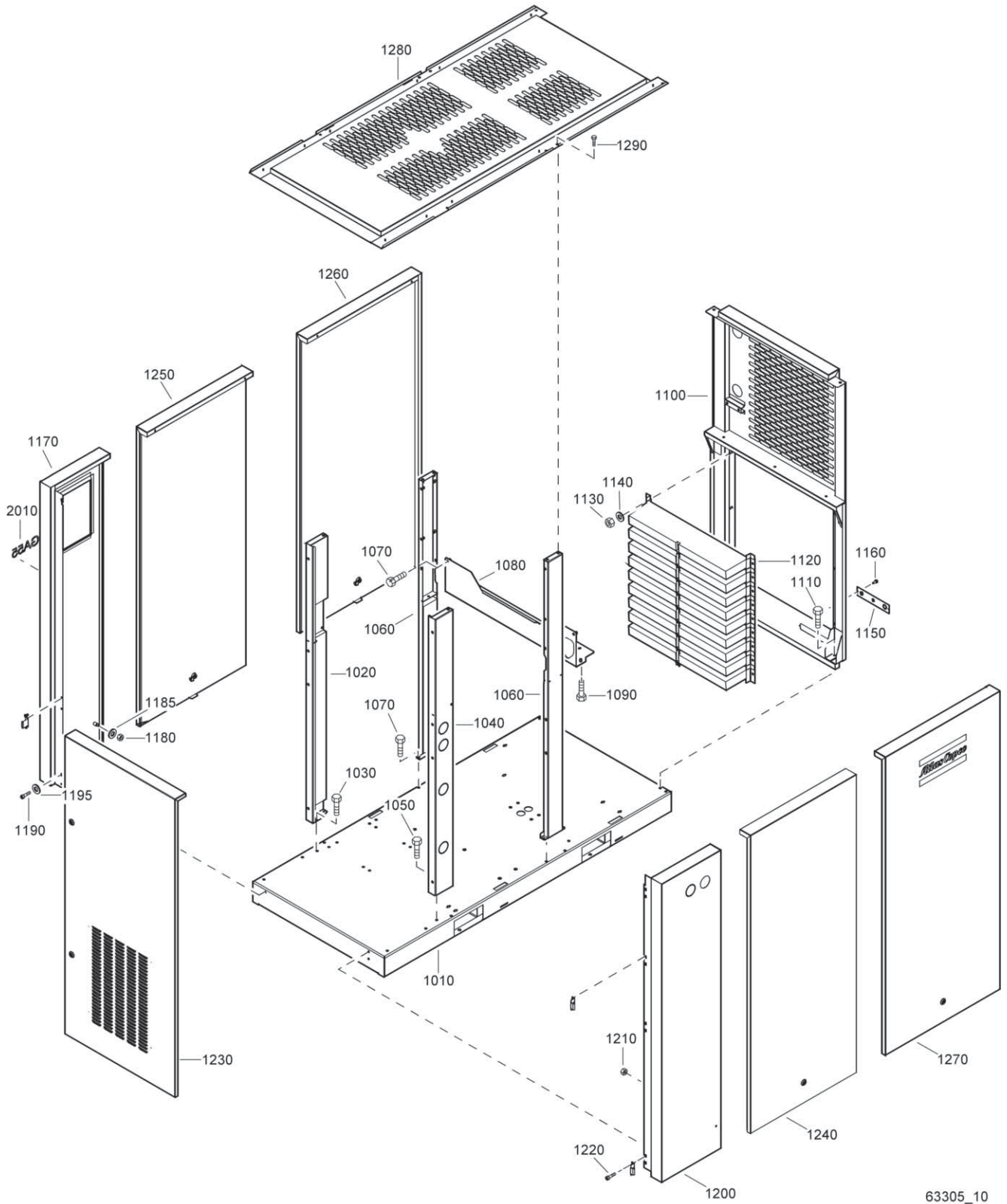


Cubicle - IEC

Ref.	Part number	Qty	Name	Remarks
4050	1088 0031 55	• 1	Connector	
4055	1088 0036 12	• 1	Frame for connector	
4060	1089 0506 30	• 2	End bracket	
4065	1089 0612 01	• 6	Fuse holder	
4070	1089 0612 24	• 3	Fuse	
4075	1089 0612 28	• 3	Fuse	
4080	1089 9415 14	• 1	Contactora	
4085	1089 9415 24	• 1	Contactora	
4090	9820 3549 02	• 1	Service diagram	
5040		1	Solenoid valve	
	1089 0702 09		50 Hz	
	1089 0702 10		60 Hz	
5050	1088 1001 01	1	Warning mark	
6005		1	Transformer	
	1089 9436 46		GA (W)	
7060		1	AIE 1 expansion	
	1900 0710 41		GA (W)	

- 1) Lined with / Bekleed met / Beklädd med / Ausgekleidet mit / Garnir de / Rivestido de / Allineato con / Foret med / Revestido com / Kledd med / Vuorattu :
Foam: 0395 6001 64(AR) 20 x 2040 x 1650

19



63305_10

Bodywork

Ref.	Part number	Qty	Name	Remarks	Ref.	Part number	Qty	Name	Remarks
1010	1622 3104 00	1	Frame		1250	1622 3133 81	1	Door middle	2)
1020	1622 3126 80	1	Beam	1, 2)		1622 3633 80 •	1	Lock	
1030	0147 1963 08	2	Hexagon bolt		1260	1622 3131 80	1	Door left	2)
1040	1622 3127 80	1	Beam	1,2)		1622 3633 80 •	1	Lock	
1050	0147 1963 08	2	Hexagon bolt			0690 1132 01 •	1	House mark	
1060	1622 3145 80	2	Beam	2)	1270	1622 3132 80	1	Door right	
1070	0147 1963 08	8	Hexagon bolt			1622 3633 80	1	Lock	
1080	1622 3134 00	1	Z-plate			0690 1132 01	1	House mark	
1090	0147 1963 08	4	Hexagon bolt		1280	1622 3121 80	1	Roof	2)
1100	1622 3128 00	1	Panel inlet		1290	0147 1963 08	10	Hexagon bolt	
1110	0147 1963 08	4	Hexagon bolt		2010		1	Label	
1120	1622 4617 80	1	Baffle	3)		1622 4631 15		GA30+	
1130	0266 2110 00	6	Nut			1622 4631 16		GA30+ FF	
1140	0301 2335 00	6	Washer			1622 4631 25		GA37+	
1150	1613 9613 02	1	Plate			1622 4631 26		GA37+ FF	
1160	0226 3343 59	2	Tapping screw			1622 4631 27		GA45+	
1170	1622 3114 80	1	Panel			1622 4631 28		GA45+ FF	
	1613 9846 01 •	1	Decal			1622 4631 29		GA55	
1180	0266 2110 00	1	Nut			1622 4631 30		GA55 FF	
1185	0301 2335 00	1	Washer			1622 4631 31		GA75	
1190	0211 1249 03	2	Hex socket screw			1622 4631 32		GA75 FF	
1195	0301 2321 00	2	Washer						
1200	1622 3122 00	1	Panel cubicle		1-3)			Lined with / Bekleed met / Beklädd med / Ausgekleidet mit / Garnir de / Rivestido de / Allineato con / Foret med / Revestido com / Kledd med / Vuorattu :	
1210	0291 1110 00	1	Lock nut					1) Foam: 0395 6001 64(AR) 20 x 2040 x 1650	
1220	0211 1243 03	6	Hex socket screw					2) Foam: 0395 6001 67(AR) 30 x 2040 x 1650	
1230	1622 3130 80	1	Cubicle door					3) Foam: 0395 6001 69(AR) 50 x 2040 x 1650	
	1622 3633 81 •	2	Lock						
1240	1622 3133 80	1	Door middle	2)					
	1622 3633 80 •	1	Lock						

20

Service kits

Ref.	Part number	Qty	Name	Remarks	Ref.	Part number	Qty	Name	Remarks
	2901 0245 01	1	Oil can			2901 1619 00	1	Motor overhaul kit GA 30-45	
			ROTO-INJECTFLUID 5 l			0335 2173 00 •	1	Circlips	
	2901 0522 00	1	Oil can			0508 1100 34 •	1	Bearing	
			ROTO-INJECTFLUID 20 l			1622 4628 00 •	1	Lipseal kit	
	2901 0045 01	1	Oil barrel			1622 3106 00 •	1	Bushing	
			ROTO-INJECTFLUID 209 l			1622 3740 00 •	1	Drain nipple	
						0502 1092 56 •	1	Bearing	
	2901 1453 00	1	Minimum Pressure Valve kit			2901 1620 00	1	Motor overhaul kit GA 55-75	
	0663 7139 00 •	1	O-ring			0335 2178 00 •	1	Circlips	
	1613 3223 01 •	1	Washer			0508 1100 98 •	1	Bearing	
	1622 3662 00 •	1	Spring			1616 5517 00 •	1	Lipseal kit	
	0663 2101 00 •	1	O-ring			1622 3665 00 •	1	Bushing	
	1622 3664 00 •	1	Spring			1622 3740 00 •	1	Drain nipple	
	0335 3111 00 •	1	Circlips			0502 1092 55 •	1	Bearing	
	0663 3120 00 •	1	O-ring			2901 1622 00	1	Unloader valve kit	
	2901 0570 00	1	Element mounting kit			1613 6818 01 •	1	Valve	
	0663 2109 78 •	1	O-ring			1622 3173 00 •	1	Tape	
	0337 2293 23 •	1	Parallel key			1622 3170 00 •	1	Bushing	
	0663 2111 46 •	1	O-ring			1622 3168 00 •	1	Ring	
	1622 0977 00 •	1	Gasket			0663 7149 00 •	1	O-ring	
	0663 2107 37 •	1	O-ring			0160 0996 86 •	2	Cross rec screw	
	2901 0503 01	1	Check valve kit			0301 2318 00 •	2	Washer	
	0661 1000 40 •	1	Seal washer			1622 3694 80 •	1	Blow off valve	
	0663 2107 77 •	1	O-ring			0663 2111 55 •	1	O-ring	
	0663 7136 00 •	1	O-ring			1622 3182 00 •	1	Guide	
	0663 7138 00 •	1	O-ring			1622 3183 00 •	1	Seal	
	1613 8906 00 •	1	Valve (check valve)			1622 3184 00 •	1	Bushing	
	1613 5165 00 •	1	Spring			1622 3185 00 •	1	Spring	
	2901 0217 01	1	Oil stop valve kit			0661 1000 40 •	1	Seal washer	
	0663 7135 00 •	1	O-ring			0663 7150 00 •	1	O-ring	
	0663 3120 00 •	1	O-ring			0663 7150 00 •	1	O-ring	
	0661 1000 39 •	1	Seal washer			0211 1957 64 •	2	Bolt	
	1613 2357 00 •	1	Compr.spring						
	0661 1000 44 •	1	Seal washer						
	0661 1000 43 •	1	Seal washer						
	0663 2101 97 •	1	O-ring						
	0663 2100 24 •	1	O-ring						
	0663 2101 80 •	1	O-ring						
	1613 8907 00 •	1	Valve body						

Atlas Copco Stationary Air Compressors

GA 30+, GA 37+, GA 45+, GA 55, GA 75 Aircooled

GA 30+, GA 37+, GA 45+, GA 55, GA 75 Watercooled

Parts list

What sets Atlas Copco apart as a company is our conviction that we can only excel in what we do if we provide the best possible know-how and technology to really help our customers produce, grow and succeed.

There is a unique way of achieving that - we simply call it the Atlas Copco way. It builds on **interaction**, on long-term relationships and involvement in the customers' process, needs and objectives. It means having the flexibility to adapt to the diverse demands of the people we cater for.

It's the **commitment** to our customers' business that drives our effort towards increasing their productivity through better solutions. It starts with fully supporting existing products and continuously doing things better, but it goes much further, creating advances in technology through **innovation**. Not for the sake of technology, but for the sake of our customer's bottom line and peace-of-mind.

That is how Atlas Copco will strive to remain the first choice, to succeed in attracting new business and to maintain our position as the industry leader.

