



ATLONA
ATLONA HDMI AUDIO EXTRACTOR
AT-HD570

USER MANUAL



TABLE OF CONTENTS

1. Introduction	1
2. Features	1
3. Package Contents	1
4. Operation Controls and Functions	2
4.1 Front Panel	2
4.2 Rear Panel	2
5. Connection and Installation	3
6. Specifications	3
7. Safety Information	4
8. Warranty	5

1. INTRODUCTION

This is the most advanced solution for HDMI to HDMI repeater with Audio decoder. This is compatible to HDMI v1.3 specifications, a cutting-age technology which defines to transfer Deep Color (12 bits/color) video with a high bandwidth up to 225MHz. The HDMI v1.3 Distribution Amplifier also does signal amplification and equalization output that can connected with other HDMI to HDMI units for repeater function. The audio output support uncompressed analog LPCM 7.1 and new lossless compressed digital Bitstream (Dolby TrueHD, Dolby Digital Plus and DTS-HD Master Audio) and it depend on the input sources.

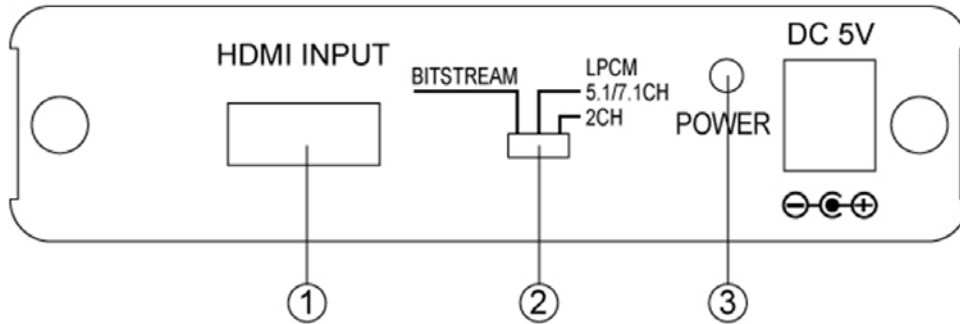
2. FEATURES:

- Compliant with HDMI 1.3, HDCP 1.1 and DVI1.1 standards.
- Supports digital video formats in Deep Color Mode from 25MHz to 225MHz for 36 bits (12 bits/color).
- Supports high definition input up to 1080p@(24/60)Hz, output resolution follows input.
- Supports HDMI signal amplification and equalization output for repeater function.
- Supports uncompressed digital LPCM 7.1, 5.1 or 2 channels and compressed digital Bit stream (Dolby TrueHD, Dolby Digital Plus and DTS-HD Master Audio) through HDMI input and output ports.
- Supports digital Dolby 5.1/2 and LPCM 2 channels output through optical fiber.
- Supports LPCM 7.1/5.1/2 channels output through multi-channel output ports.
- Integrated HDCP encryption for transmitting protected audio and video content.
- Support CEC bypass.
- The HDMI cable distance test with 1080p/8bits resolution, the Input/Output source can run up to 20/15 meters and 1080p/12bits the Input/Output source can run up to 15/10 meters.

3. PACKAGE CONTENTS:

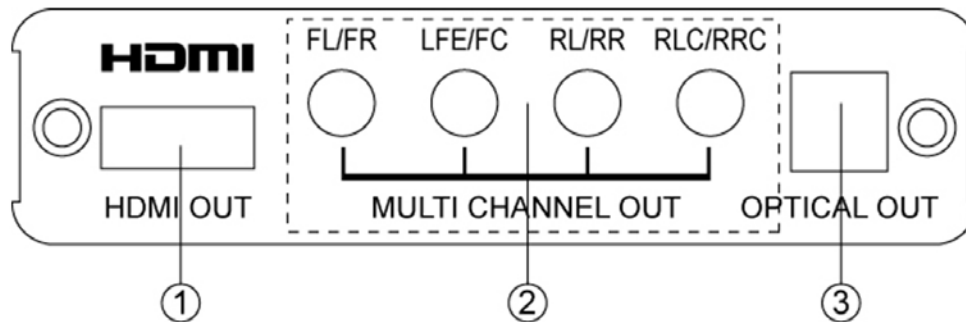
- HDMI over HDMI with Audio decoder.
- 5V DC power supply adaptor.
- Operation Manual.

4.1. Front Panel



1. HDMI input: Connect the HDMI input port to the HDMI output port of your source equipment such as DVD player or set-top-box.
2. Audio selection switch: To switch between Bitstream/LPCM7.1/5.1/LPCM2 channels.
Note: When switch to other audio mode, the display will disappear for few seconds. This is normal phenomenon for the system.
3. Power: Plug the 5VDC power supply into the unit and connect the adaptor to AC wall outlet.

4.2. Rear Panel



1. HDMI output: Connect the HDMI output port to the HDMI input port of your display.
2. Multi channel output: Connect the audio channel output to the input of your amplifier equipment and follow the amplifier connections.
 FL: Front Left
 FR: Front Right
 LFE: Low Frequency Effect
 FC: Front Center
 RL: Rear Left
 RR: Rear Right
 RLC: Rear Left Center
 RRC: Rear Right Center
3. Optical output: Connect Optical output to the display audio input or audio equipments for Dolby5.1/2 and LPCM2 channels.

5. CONNECTION AND INSTALLATION



6. SPECIFICATIONS

Input port	1 x HDMI
HDMI input audio format	LPCM 7.1, 5.1 or 2 channels and Bitstream (Dolby TrueHD, Dolby Digital Plus and DTS-HD Master Audio)
Output port	1 x HDMI
HDMI output audio format	LPCM 7.1, 5.1 or 2 channels and Bitstream (Dolby TrueHD, Dolby Digital Plus and DTS-HD Master Audio)
Multi channel output ports	4 x 3.5Φphone jack
Multi channel output audio format	LPCM 7.1/5.1/2 channels
Optical output port	1 x Optical
Optical output audio format	Dolby 5.1/2 and LPCM 2 channels
Power Supply	5V/2.6A DC (US/EU standards, CE/FCC/UL certified)
Dimensions (mm)	100(W) x 147(D) x 25(H)
Weight(g)	300
Chassis Material	Aluminum
Silk Skin Color	Black
Operating Temperature	Operating from 0°C ~ 40°C

Safeguards

To reduce the risk of electric shock, do not expose this product to rain or moisture.

If the wall plug does not fit into your local power socket, hire an electrician to replace your obsolete socket.

Do not modify the wall plug. Doing so will void the warranty and safety features.

This equipment should be installed near the socket outlet and the device should be easily accessible in case it requires disconnection.

Precautions

FCC Regulations state that any unauthorized changes or modifications to this equipment not expressly approved by the manufacturer could void the user's authority to operate this equipment.

Operate this product using only the included external power supply. Use of other power supplies could impair performance, damage the product or cause fires.

In the event of an electrostatic discharge, this device may automatically turn off. If this occurs, unplug the device, and plug it back in.

Protect and route power cords so they will not be stepped on or pinched by anything placed on or against them. Be especially careful of plug-ins, or cord exit points from this product.

Avoid excessive humidity, sudden temperature changes or temperature extremes.

Keep this product away from wet locations such as bathtubs, sinks, laundries, wet basements and swimming pools.

Use only accessories recommended by ATLONA to avoid fire, shock or other hazards.

Unplug the product before cleaning. Use a damp cloth for cleaning. Do not use cleaning fluid or aerosols, which could enter the unit and cause damage, fire or electrical shock. Some substances may also mar the finish of the product.

Never open or remove unit panels or make any adjustments not described in this manual. Attempting to do so could expose you to dangerous electrical shock or other hazards. It may also cause damage to your AT-HD570. Opening the product will void the warranty.

Do not attempt to service the unit. Instead disconnect it and contact your Authorized ATLONA reseller or contact ATLONA directly.

1. LIMITED WARRANTY

Atlona Technologies warrants that (a) its products (the “Product”) will perform substantially in accordance with the accompanying written materials for a period of 3 YEARS from the date of receipt and (b) that the Product will be free from defects in materials and workmanship under normal use and service for a period of 3 years. In the event applicable law imposes any implied warranties, the implied warranty period is limited to 3 years from the date of receipt. Some jurisdictions do not allow such limitations on duration of an implied warranty, so the above limitation may not apply to Customer.

2. CUSTOMER REMEDIES

Atlona Technologies and its suppliers’ entire liability and Customer’s exclusive remedy shall be, at Atlona Technologies’ option, either return of the price paid for the Product, or repair or replacement of the Product that does not meet this Limited Warranty and which is returned to Atlona Technologies with a copy of Customer’s receipt. This Limited Warranty is void if failure of the Product has resulted from accident, abuse, or misapplication. Any replacement Product will be warranted for the remainder of the original warranty period or 3 year, whichever is longer.

3. NO OTHER WARRANTIES

TO THE MAXIMUM EXTENT PERMITTED BY APPLICABLE LAW, ATLONA TECHNOLOGIES AND ITS SUPPLIERS DISCLAIM ALL OTHER WARRANTIES, EITHER EXPRESS OR IMPLIED, INCLUDING, BUT NOT LIMITED TO IMPLIED WARRANTIES OF MERCHANTABILITY AND FITNESS FOR A PARTICULAR PURPOSE, WITH REGARD TO THE PRODUCT AND ANY RELATED WRITTEN MATERIALS. THIS LIMITED WARRANTY GIVES CUSTOMER SPECIFIC LEGAL RIGHTS. CUSTOMER MAY HAVE OTHER RIGHTS DEPENDING ON THE JURISDICTION.

4. NO LIABILITY FOR DAMAGES

TO THE MAXIMUM EXTENT PERMITTED BY APPLICABLE LAW, IN NO EVENT SHALL ATLONA TECHNOLOGIES OR ITS SUPPLIERS BE LIABLE FOR ANY DAMAGES WHATSOEVER (INCLUDING WITHOUT LIMITATION, SPECIAL, INCIDENTAL, CONSEQUENTIAL, OR INDIRECT DAMAGES FOR PERSONAL INJURY, LOSS OF BUSINESS PROFITS, BUSINESS INTERRUPTION, LOSS OF BUSINESS INFORMATION, OR ANY OTHER PECUNIARY LOSS) ARISING OUT OF THE USE OF OR INABILITY TO USE THIS PRODUCT, EVEN IF ATLONA TECHNOLOGIES HAS BEEN ADVISED OF THE POSSIBILITY OF SUCH DAMAGES. IN ANY CASE, ATLONA TECHNOLOGIES’ AND ITS SUPPLIERS’ ENTIRE LIABILITY UNDER ANY PROVISION OF THIS AGREEMENT SHALL BE LIMITED TO THE AMOUNT ACTUALLY PAID BY YOU FOR THE PRODUCT. BECAUSE SOME JURISDICTIONS DO NOT ALLOW THE EXCLUSION OR LIMITATION OF LIABILITY FOR CONSEQUENTIAL OR INCIDENTAL DAMAGES, THE ABOVE LIMITATION MAY NOT APPLY TO YOU.



ATLONA
2151 O’toole Ave, Ste D
San Jose CA 95131
Toll Free: 1-877-536-3976
International: 408-954-8782
FAX: 408-954-8792
Website: www.atlona.com
E-MAIL: info@atlona.com