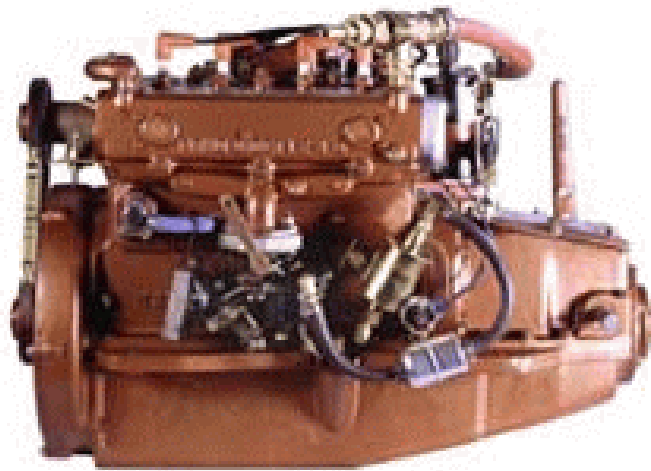
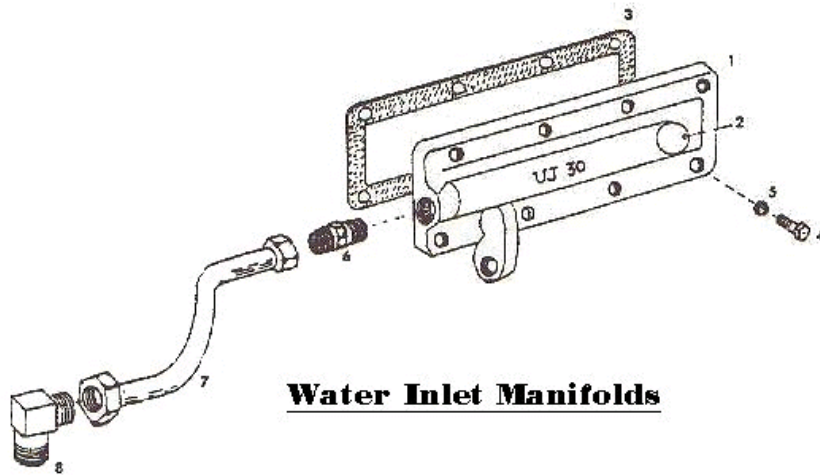
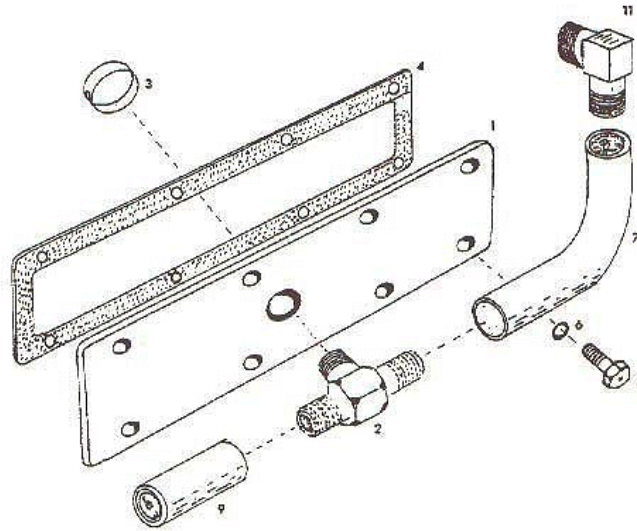


ATOMIC 4
PARTS CATALOGUE





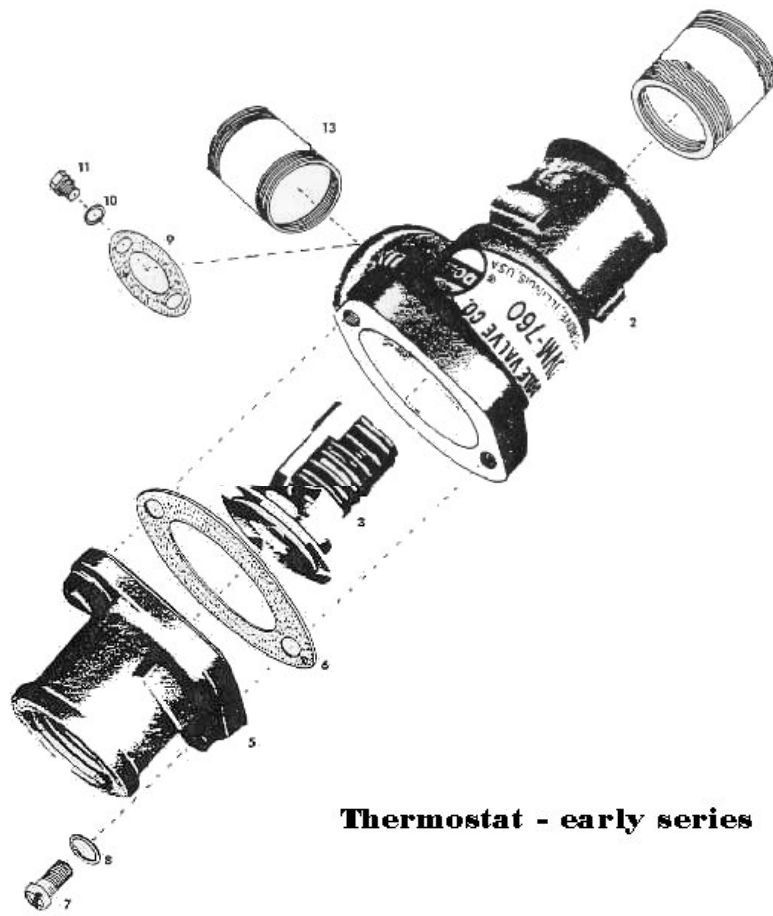
Water Inlet Manifolds



COOLING - WATER INLET MANIFOLD

EARLY STYLE UP TO 1967

CODE	DESCRIPTION	NO. USED	PART	NOTE
1.	Cylinder Water inlet manifold	1	261020	
2.	Expansion Plug	1	280020	3/4"
3.	Gasket, Water inlet manifold	1	261049	
4.	Cap Screws	8	231057	5/16 - 15x3/4
5.	Washer, copper flat	8	260703	5/16
6.	Connector 1/4 IPT x 38 ODT	1	239342	
7.	Pipe, inlet	1	261136	
8.	Elbow, Water 3/8 IPT x 3/8 ODT	1	250327	
	Water Inlet manifold assembly (Late Style starting 1967)		273458	
1.	Cylinder Water inlet manifold	1	259257	
2.	Tee - hose inlet	1	241022	
3.	Cap, water distributor	1	263778	Use 298428
4.	Gasket, inlet manifold mounting	1	261049	
5.	Cap Screw	5	231057	5/16"-18x3
6.	Washer, flat copper	8	260703	5/16"
7.	Hose, inlet manifold to thermostat	1	288988	
8.	Clamp, hose	2	274927	
9.	Hose, water pump to inlet manifold plate	1	274927	
10.	Clamp, hose	2	274927	
11.	Elbow, water bypass to thermostat cover	1	241019	
11A.	Elbow, restricted type	AR	296781	



Thermostat - early series

COOLING - THERMOSTAT GROUP

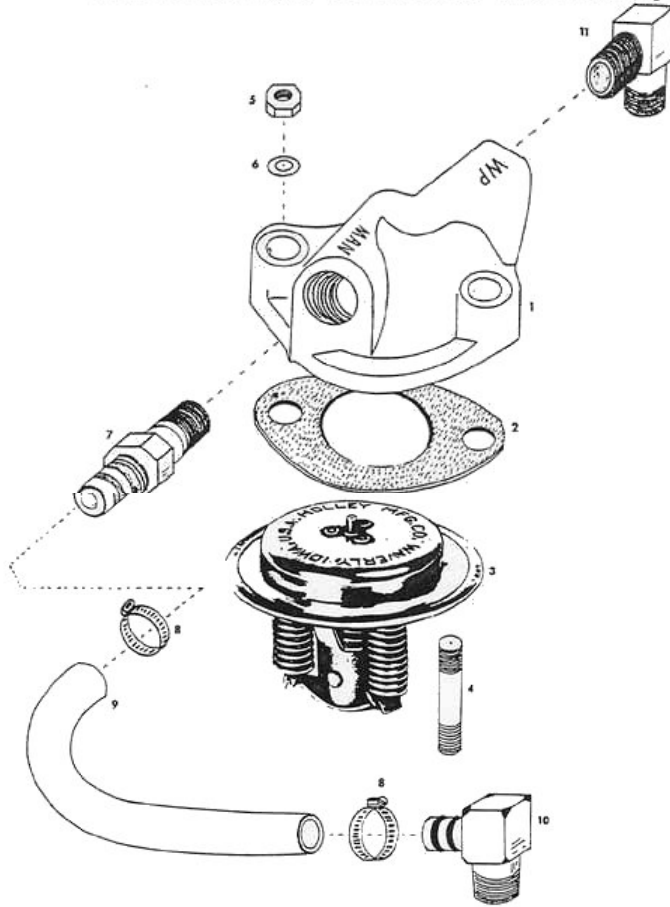
DOLE TYPE - UP TO SERIES (BEFORE ENGINE SERIAL #79476)

CODE	DESCRIPTION	NO. USED	PART	NOTE
1.	Thermostat unit assembly	1	98028054	Use 261269
1A.	Thermostat assembly		261269	
3.	Element, raw water 140 ⁰	1	275965	
3A.	Element, for fresh water 160 ⁰	AR		
4.	Close nipple	1	276043	1/2x1-1/8"
	Tee	1	276037	3/4x1/2x1/2
5.	Outlet housing	1	261139	
6.	Gasket outlet housing	1	261144	
13.	Close nipple	1	1550014	3/4xclose
14.	Nipple, special restricted w/1/8" hole	1	274731	
15.	Pipe Plug	1	207779	1/2" IPT

Dole Thermostat, later series before serial #79476

1.	Thermostat Assy. w/flange mount 140 ⁰	1	261269	
1A.	Thermostat Assy. w/flange mount 160 ⁰	AR		
2.	Thermo housing	1	261138	
3.	Element 140 ⁰	1	275965	
3A.	Element 160 ⁰	AR		
5.	Outlet housing	1	261139	
6.	Gasket, outlet housing	1	261144	
7.	Cap Screws slotted	2	294376	1/4-20x5/8
8.	Lock Washer	2	231894	1/4"
9.	Gasket, mounting to manifold	1	260687	
10.	Cap screw, thermostat to manifold	2	294474	5/16-18x5/8
11.	Lock washer, thermostat to manifold	2	231891	5/16"
12.	Plug	1	290317	1/4" IPT
13.	Kit. Thermostat (Includes 275965 & 261144)	1	200207	

Note: if engine is running hot, restrict by-pass elbow (#11)
inlet from water plate to 1/8 hole. see 1 & 2 on this page.

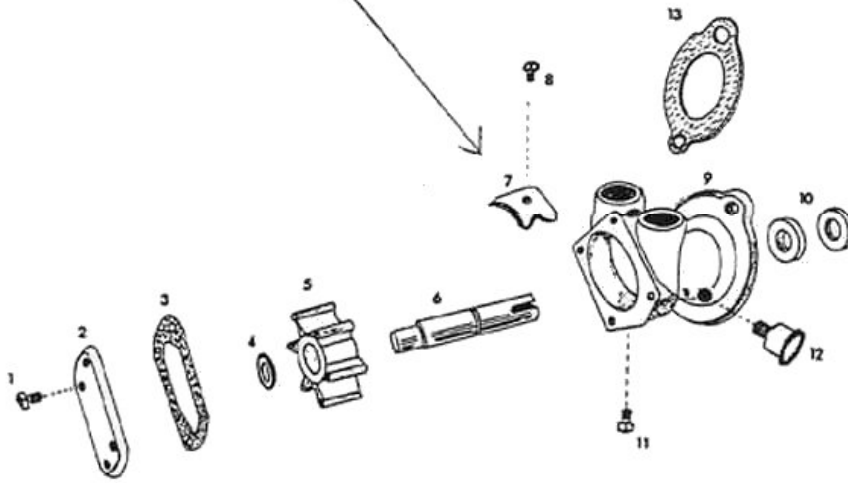


COOLING - THERMOSTAT SYSTEM

LATE STYLE - STARTING IN 1967 WITH SERIAL #79476

CODE	DESCRIPTION	NO. USED	PART	NOTE
1.	Outlet Housing	1	262556	
2.	Gasket	1	261601	
3.	Thermostat, Holley 145 ⁰	1	262278	
4.	Stud SAE to USS	2	262390	
5.	Nut	2	230147	3/8 NF
6.	Lock Washer	2		3/8
7.	Connector, housing to hose	1	241021	
8.	Clamp, hose	2	274927	
9.	Hose	1	288989	
10.	Elbow - hose to exh. manifold	1	241019	
11.	Elbow - water bypass inlet	1	241019	
12.	Thermostat Kit (Includes 262278 & 261601)	1	200206	

Different cam used on Diesels

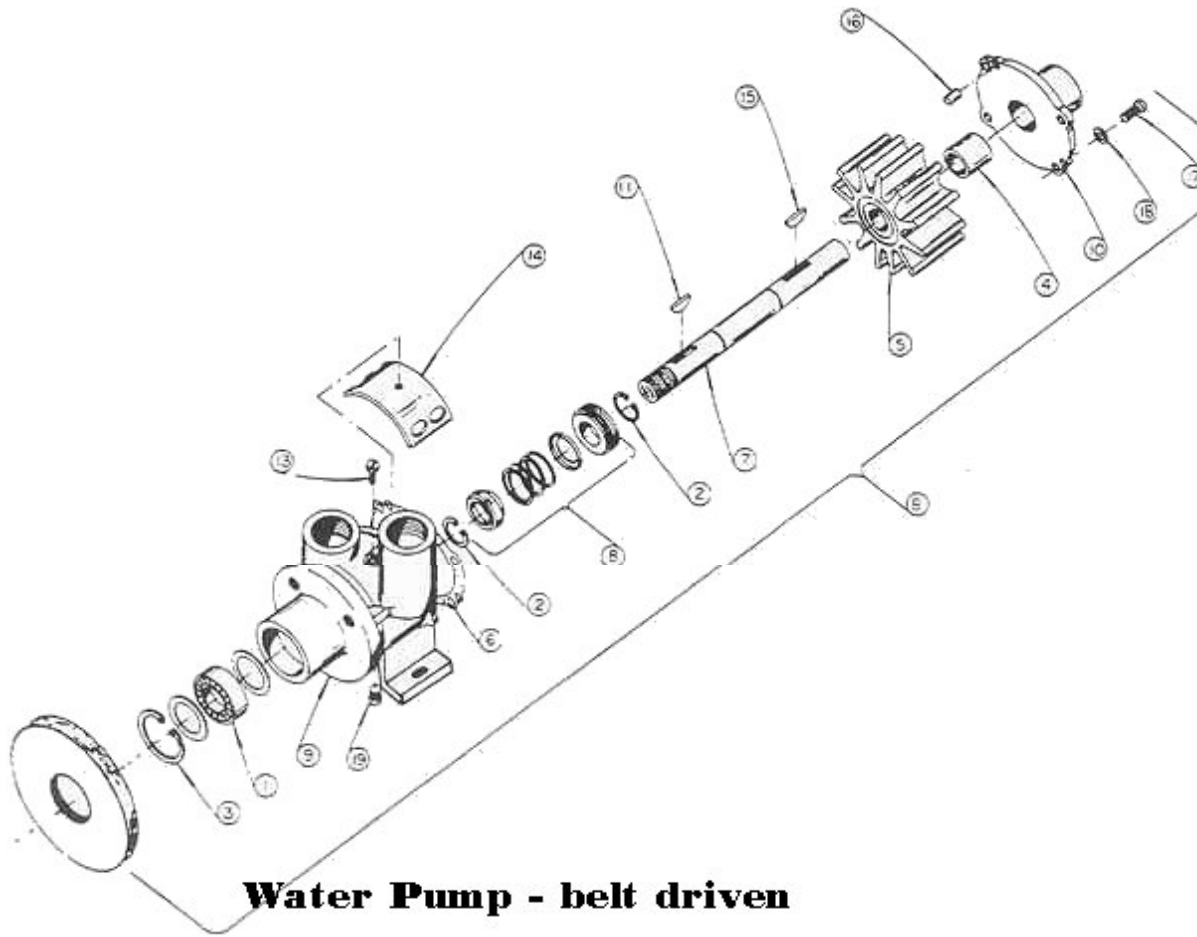


Water pump starting 1969

COOLING - WATER PUMP

OBERDORFER TYPE - STARTING LATE 1969

CODE	DESCRIPTION	NO. USED	PART	NOTE
	Water pump assy. early	1	290660	use 295625
	Water pump assy. late style	1	295625	M202-3
1.	Screws, cover	4	296580	
2.	Cover	1	296578	
3.	Gasket	1	295626	
4.	Snap Ring	1	295629	
5.	Impeller	1	295628	
6.	Shaft	1	296575	
7A.	Cam - M202	1	296578	
7B.	Cam - M202-3	AR		
8.	Screw, cam	1	296580	
9A.	Body - M202	AR		
9B.	Body - M202-3	AR		
10.	Seals	2	295627	
11.	Plug	1	296576	
12.	Grease Cup	1	296577	
13.	Gasket, pump mounting	1	261044	use 300253
14.	Kit, impeller (includes 295628 & 295626)	1	200209	
	Water inlet elbow - V drive	1	241019	1/2"x3/8"
	Water outlet elbow	1	289770	1/2"x3/8"
	Mounting screws	2	231080	3/8-16x1
	Mounting lock washers	2	260704	3/8"
15.	Kit, repair kit, water pump, Contains 296580, 295628, 295626, 295627, 295629, 296575, 296578, 296579, 296580, 300253	1	200210	



Water Pump - belt driven

COOLING - WATER PUMP

SHERWOOD BELT DRIVEN - Used with fresh water cooling on sea water side.

CODE	DESCRIPTION	NO. USED	PART	NOTE
	Water pump assy.	1	290644	E05
	Pulley	1	257567	
	Lock screw for pulley	1		
1.	Bearing	1	297486	
2.	Snap ring small	2		
3.	Snap ring large	1		
4.	Bushing	1		
5.	Impeller	1	287439	
6.	Gasket	1	295745	
7.	Shaft	1	297485	
8.	Seal	1	296589	
9.	Body	1		
10.	End Cover	1		
11.	Key			
12.	Pulley	1		
13.	Screw, Cam	1		
14.	Cam	1		
15.	Key	1		
16.	Dowel Pin	1		
17.	Screws	6		
18.	Lock Washer	6		
19.	Pipe Plug	1		
	Water inlet elbow	1	241019	½" hose x 3/8
	Water outlet elbow	1	289770	½" hose x 3/8
20.	Kit, impeller, contains 287439 & 295745	1	200208	

1



CONTACT SETS

2



CONDENSERS

4



DISTRIBUTOR CAPS

3

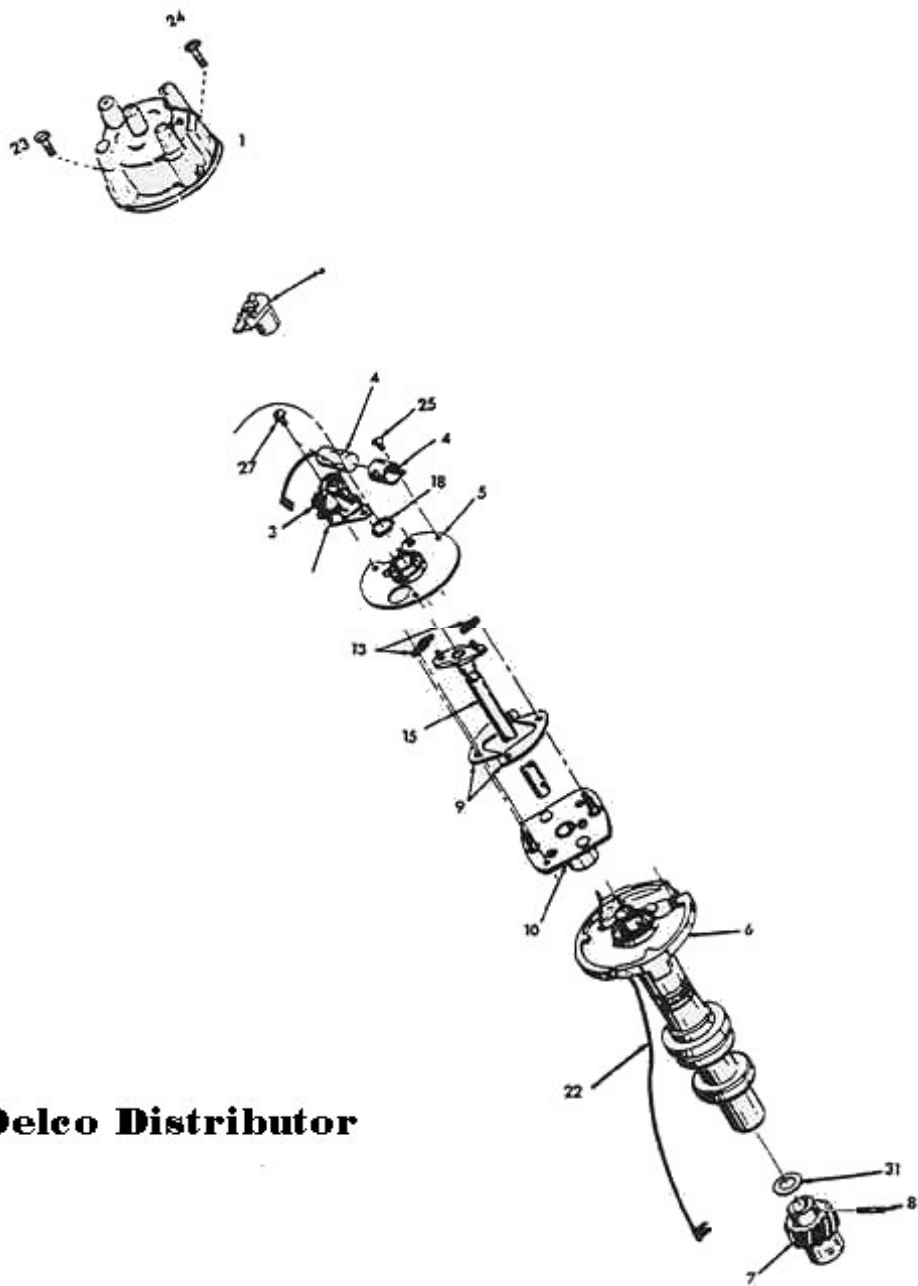


ROTORS

ELECTRICAL - IGNITION GROUP

EARLY SERIES 1948-1969 PRESTOLITE - LATE SERIES 1969 ON - DELCO

CODE	DESCRIPTION	NO. USED	PART	NOTE
1.	Contact points, Prestolite dist.	AR	262283	
	Contact points, Delco dist.	AR	288701	
2.	Condensor, Prestolite dist.	AR	262282	
	Condensor, Delco dist.	AR	288700	
3.	Rotor, Prestolite dist.	AR	266284	
	Rotor, Delco dist.	AR	288702	
4.	Cap, Prestolite dist.	AR	262281	
	Cap, Delco dist.	AR	288699	
5.	Coil, 6 volt Prestolite ignition	AR	276114	
	Coil, 12 volt Prestolite ignition	AR	288559	
	Coil, 12 volt Delco ignition	AR	288559	
6.	Bracket, coil	1		32-1
7.	Spark plugs	4	273276	
8.	Wire set, ignition, Delco	1	295149	
	Wire set, ignition, Prestolite	1	277051	

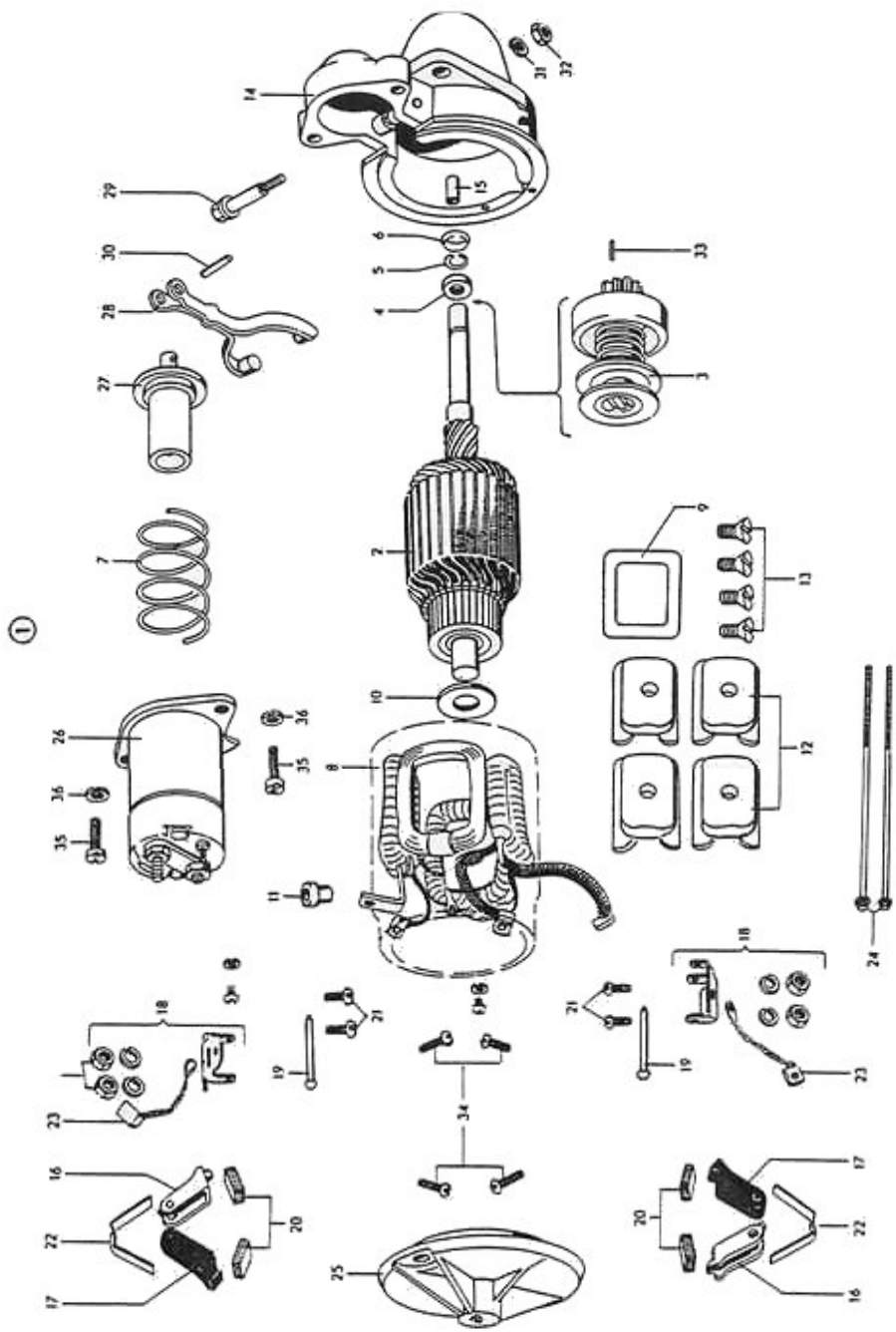


Delco Distributor

ELECTRICAL - DISTRIBUTOR

DELCO - STARTING 1969

CODE	DESCRIPTION	NO. USED	PART	NOTE
	Distributor w/drive gear		288307	use 299098
	Distributor only		288306	use 299097
1.	Cap	1	288699	
2.	Rotor	1	288702	
3.	Points	1	288701	
4.	Condensor	1	288700	
5.	Breaker Plate Assy.	1		1960814
6.	Housing	1		1964208
7.	Drive gear	1	262422	
8.	Roll pin	1	230357	
	Clamp, hold down	1	288294	
	Clamp, cap screw	1	231058	5/16-18x7/8
	Clamp, lock washer	1	231891	5/16
9.	Plate, weight hold	1		1954548
10.	Cam	1		1971953
13.	Spring weight	1		1939381
14.	Weight	1		1880902
15.	Shaft	1		800054
18.	Seal Housing	1		1950569
22.	Lead, primary	1		1954563
23.	Screw	1		1954571
24.	Screw	1		1957573
25.	Screw	1		454458
26.	Screw	1		453461
27.	Screw	1		1914916
28.	Screw	1		453647
31.	Shim Washer .005	1		810074
32.	Shim Washer .010	1		1912129
33&36	Washer	1		811912



ELECTRICAL - STARTER MOTOR

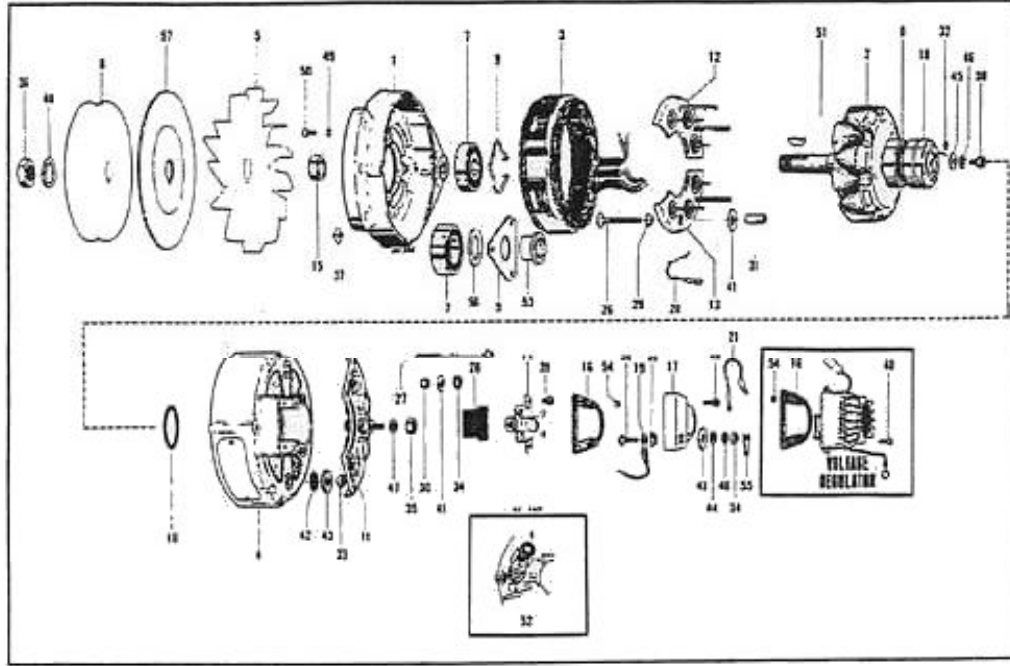
DELCO, USED AFTER 1969

CODE	DESCRIPTION	NO. USED	PART	NOTE
1.	Starter Motor Assy.	1	262937	use 299096
2.	Armature	1		1932185
3.	Bendix drive	1		1927975
4.	Washer	1		1927849
5.	Lock Ring	1		1927848
6.	Thrust Washer	1		1927850
7.	Return Spring	1	150433	1958679
8.	Coil Shunt	1		1935131
9.	Insulating Plate	1		1927853
10.	Washer	1		818265
11.	Sleeve	1		1966391
12.	Pole Shoe	4		1931129
13.	Screw	4		1913960
14.	Housing	1		1955325
15.	Bushing	1		Not used
16.	Brush holder	2		1940477
17.	Holder, insulated	2		1926618
18.	Brush holder set	2		1928015
19.	Pin	2		1966923
20.	Brush	4	150328	1906945
21.	Screw	4		274738
22.	Spring	2		1926622
23.	Cable, ground	2		1962605
24.	Bolt	2		1939770
25.	Frame, C.E.	1		1928966
26.	Solenoid switch D.969	1	298289	1114356
27.	Plunger	1		1941113
28.	Fork	1		1951567
29.	Bolt	1		1932197
30.	Pin	1		455106
31.	Lock	1		9421424
32.	Nut	1		1926640
33.	Pin	1		809593
34.	Screw	4		1913960
35.	Cap Screw	2		132255
36.	Lock Washer	2		9431423



MOTOROLA

service parts



ELECTRICAL - ALTERNATOR

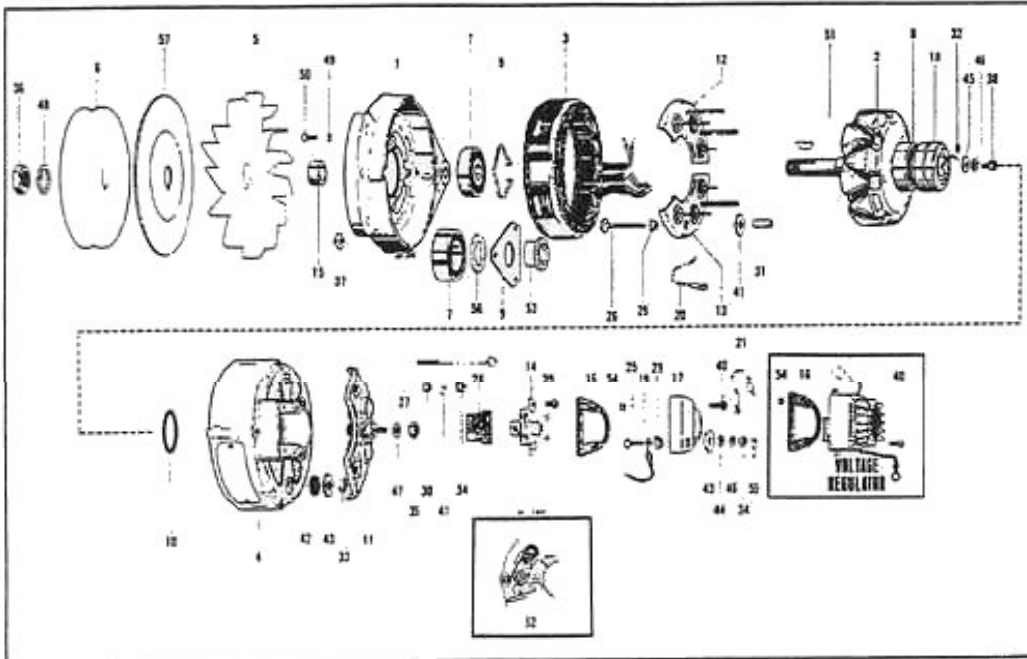
12 VOLT MOTOROLA - 35 AMP

CODE	DESCRIPTION	NO. USED	PART	NOTE
	Alternator w/regulator & pulley	1	288182	301008
	Alternator w/regulator & bracket assembly	1	288184	
1.	Cover, front	1		14-24
2.	Rotor assembly	1		12-13
3.	Stator assembly	1		13-1
4.	Rear housing	1		14-68
5.	Fan	1		7-68
6.	Pulley	1	296885	
7.	Bearing, drive end front	1		11-21
8.	Bearing, rear	1		11-21
9.	Retainer, front bearing	1		11-3
10.	Retainer, rear bearing	1		11-26
11.	Isolation diode	1	150278	298888
12.	Negative rectifier diode	1		1-59
13.	Positive rectifier diode	1		1-66
14.	Brush assembly	1		3-15
15.	Spacer, fan & pulley	1		20-152
16.	Gasket, regulator mounting	1		3-14
18.	Slip ring assembly	1		12-22
19.	Belt	1	239387	



MOTOROLA

service parts

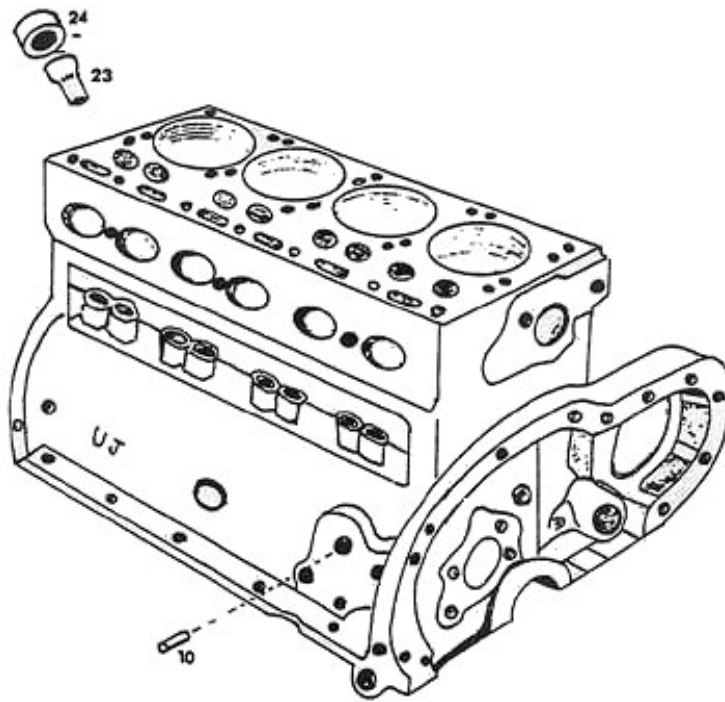


Alternator

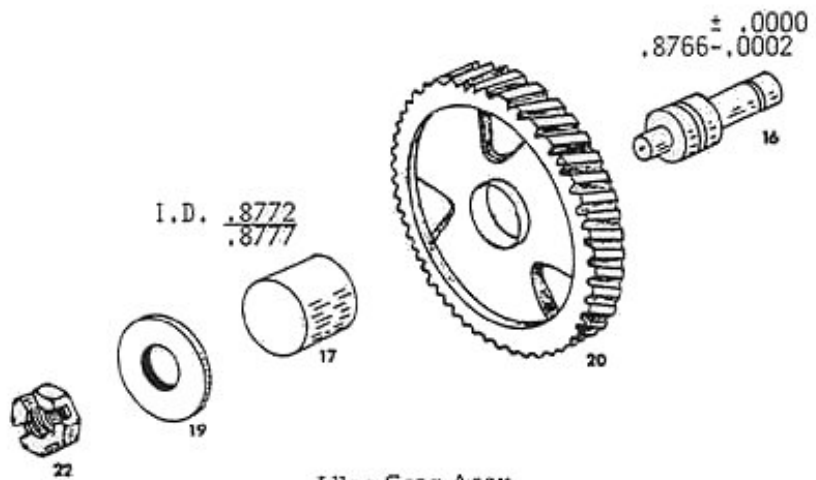
ELECTRICAL - ALTERNATOR

12 VOLT - MOTOROLA - 51 AMP

CODE	DESCRIPTION	NO. USED	PART	NOTE
	Alternator w/regulator & pulley	1	288759	302280
	Alternator w/regulator & bracket assembly	1	289283	
1.	Front housing	1		14-24
2.	Rotor assembly	1		12-7
3.	Stator assembly	1		13-3
4.	Rear housing	1		14-68
5.	Fan	1		7-68
6.	Pulley	1		7-1
7.	Bearing, drive end front	1		11-21
8.	Bearing, rear	1		11-21
9.	Retainer, front bearing	1		11-3
10.	Retainer, rear bearing	1		11-26
11.	Isolation diode	1		1-30
12.	Negative rectifier diode	1		1-59
13.	Positive rectifier diode	1		1-66
14.	Brush assembly	1		3-15
16.	Gasket, regulator mounting	1		3-14
	Voltage Regulator	1	289172	
	Bracket, alternator mounting	1	261141	
	Arm, belt tightner	1	261150	



Cylinder Block

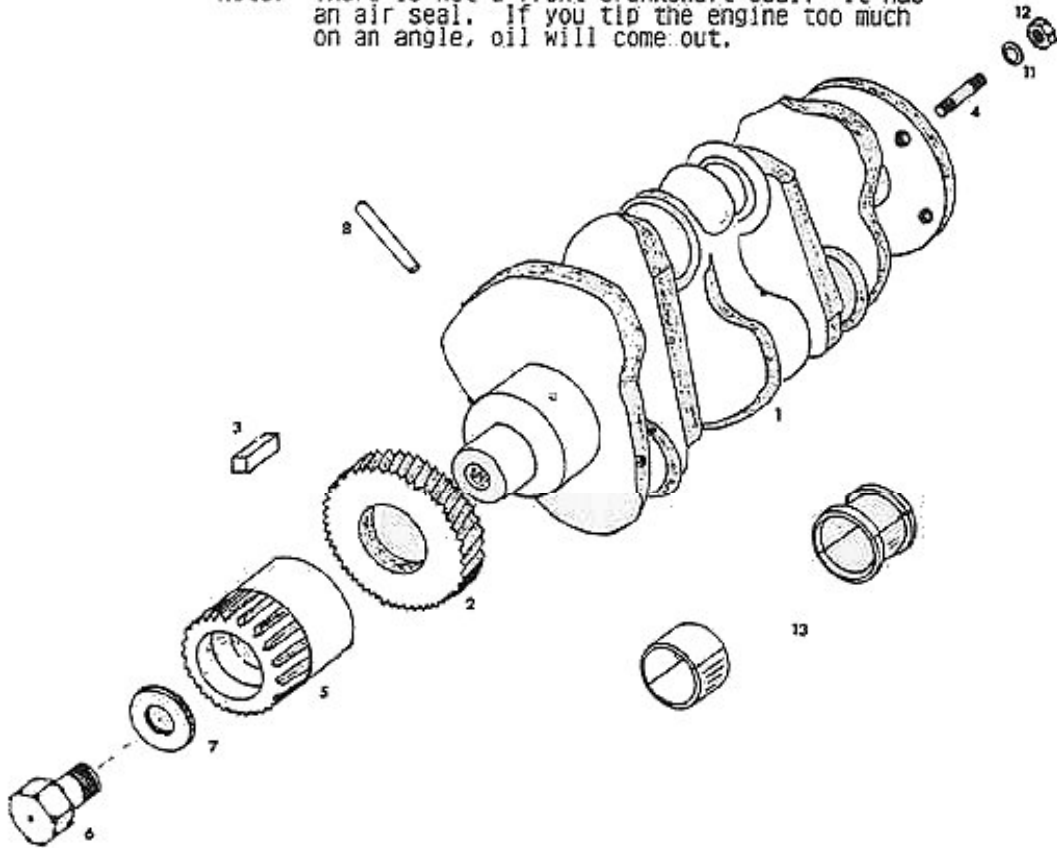


Idler Gear Assy.

ENGINE GROUP - CYLINDER BLOCK

CODE	DESCRIPTION	NO. USED	PART	NOTE
	Bare block only	1	289453	
	Short block - new style w/head & thermo	1	289455	
	Short block - w/Dole thermostat	1	289456	
	Block w/valve guides - main & Cam bearings	1	289457	up to #79475
	Block w/valve guides - main & Cam bearings	1	289458	after #79475
1.	Cylinder block only	1	260993	
2.	Bearing cap, flywheel end	1	261005	
3.	Bearing cap, drive end	1	261006	
4.	Stud, bearing cap fly end	2	261033	
5.	Stud, bearing cap drive end	2	261032	
6.	Nut, main bearing cap stud	4	238763	
7.	Dowel pin, bearing cap	4	230320	
8.	Expansion plug, brass	2	241024	
9.	Pipe plug 1/8 slotted head	4	207772	
10.	Busing, fuel pump push rod	1	263759	
11.	Nipple, water drain	1	207819	1/8 IPTx5- 1/2"
12.	Cap, nipple water drain	1	289287	1/8 IPT
13.	Pipe plug 1/8 IPT slotted head	1	207770	
14.	Connector 1/8 IPT x 1/4" ODT	1	239137	
	Water drain cock	1	239138	

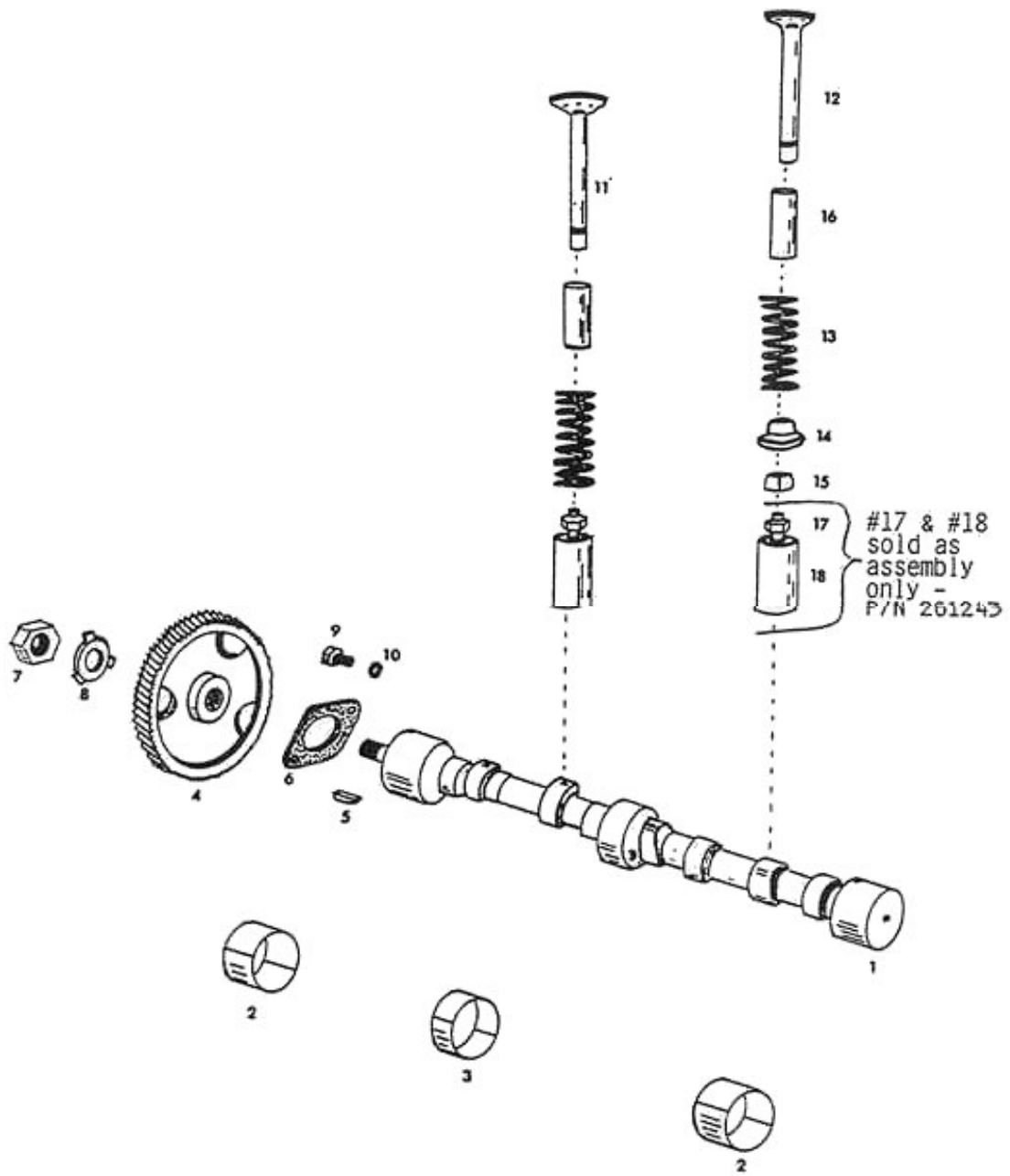
*** Note: There is not a front crankshaft seal. It has an air seal. If you tip the engine too much on an angle, oil will come out.



Crankshaft Group

ENGINE - CRANKSHAFT GROUP

CODE	DESCRIPTION	NO. USED	PART	NOTE
	Crankshaft Assembly	1	261259	
	Crankshaft sub-assembly	1	287217	
1.	Crankshaft only	1	260997	
2.	Gear - timing	1	261016	
3.	Key, timing gear	1	239143	1/4x 1-1/16
4.	Studs, USS to SAE	6	261072	
5.	Sleeve or drive gear	1	285982	
6.	Bolt, sleeve draw bolt	1	261089	1/2"
7.	Lockwasher, shakeproof	1	239144	
8.	Pin, hand start crank	1	230393	
11.	Lockwasher	6	231895	3/8"
12.	Nut	6	230147	3/8 - 24
13.	Main bearing set - standard	1	287753	
	Main bearing set - .010	AR	287833	
	Main bearing set - .020	AR	287834	
	Main bearing set - .030	AR	287835	
13A.	Main bearing only - forward end	2	261022	
13B.	Main bearing only - drive end	2	261023	

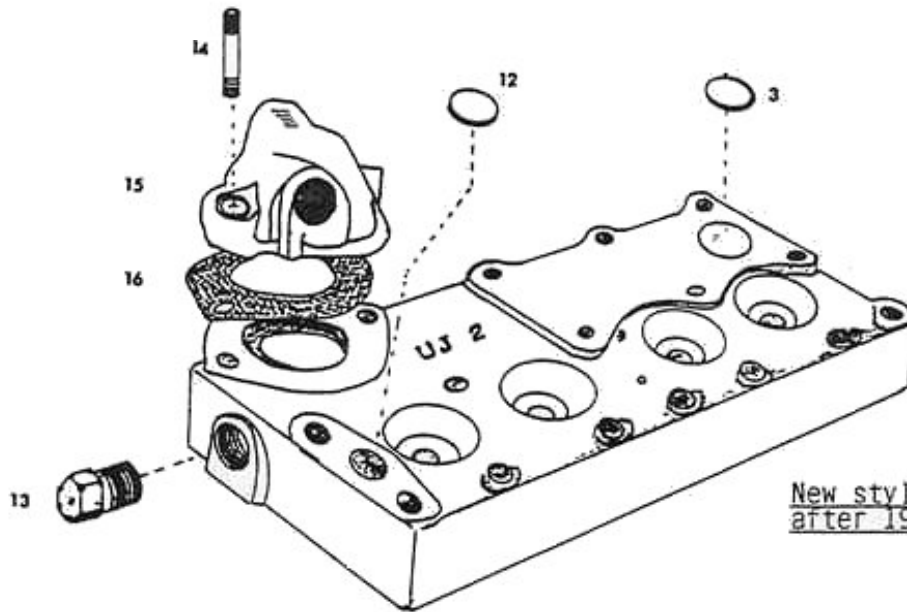
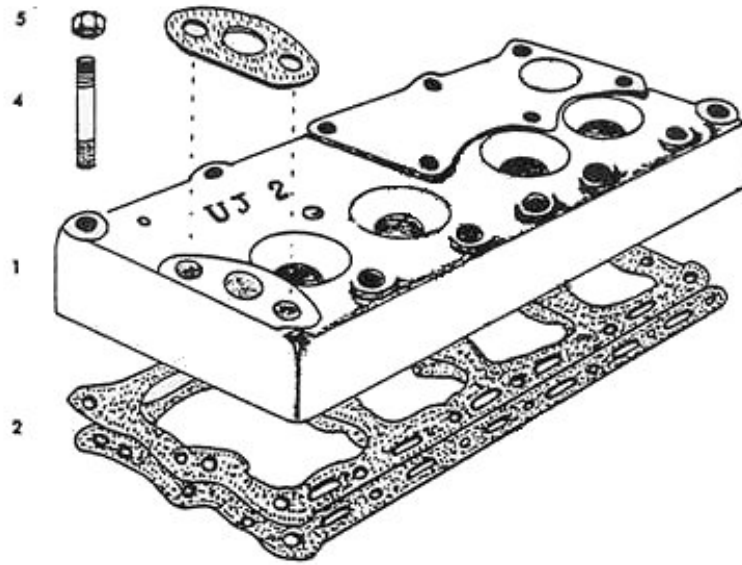


Camshaft Group

ENGINE BLOCK - CAMSHAFT - VALVES

CODE	DESCRIPTION	NO. USED	PART	NOTE
	Camshaft assembly	1	261245	use 289460
1.	Camshaft only	1	260998	
2.	Bearing - camshaft	2	261024	
3.	Bearing - camshaft	1	261025	
4.	Gear, timing	1	261017	
5.	Key, woodruff	1	239155	#6
6.	Trust plate	1	261068	
7.	Nut, special type	1	263761	3/4-16
8.	Lockwasher	1	263762	special
9.	Cap screw, thrust plate	2	231033	1/4x20x1/2
10.	Lockwasher, thrust plate	2	231894	1/4"
11.	Intake valve	4	295623	
12.	Exhaust valve	4	295624	
13.	Valve spring	8	295665	
14.	Retainer	8	261080	
15.	Lock	16	261027	
16.	Guide, standard size	8	261030	
16A.	Guide, .010 oversize	AR	289106	
17.	Screw	8	259610	use 261243
18.	Tappett	8	261243	
	Tappett .010 oversize	AR	295521	

Old style up to 1969



New style
after 1969

Cylinder Heads

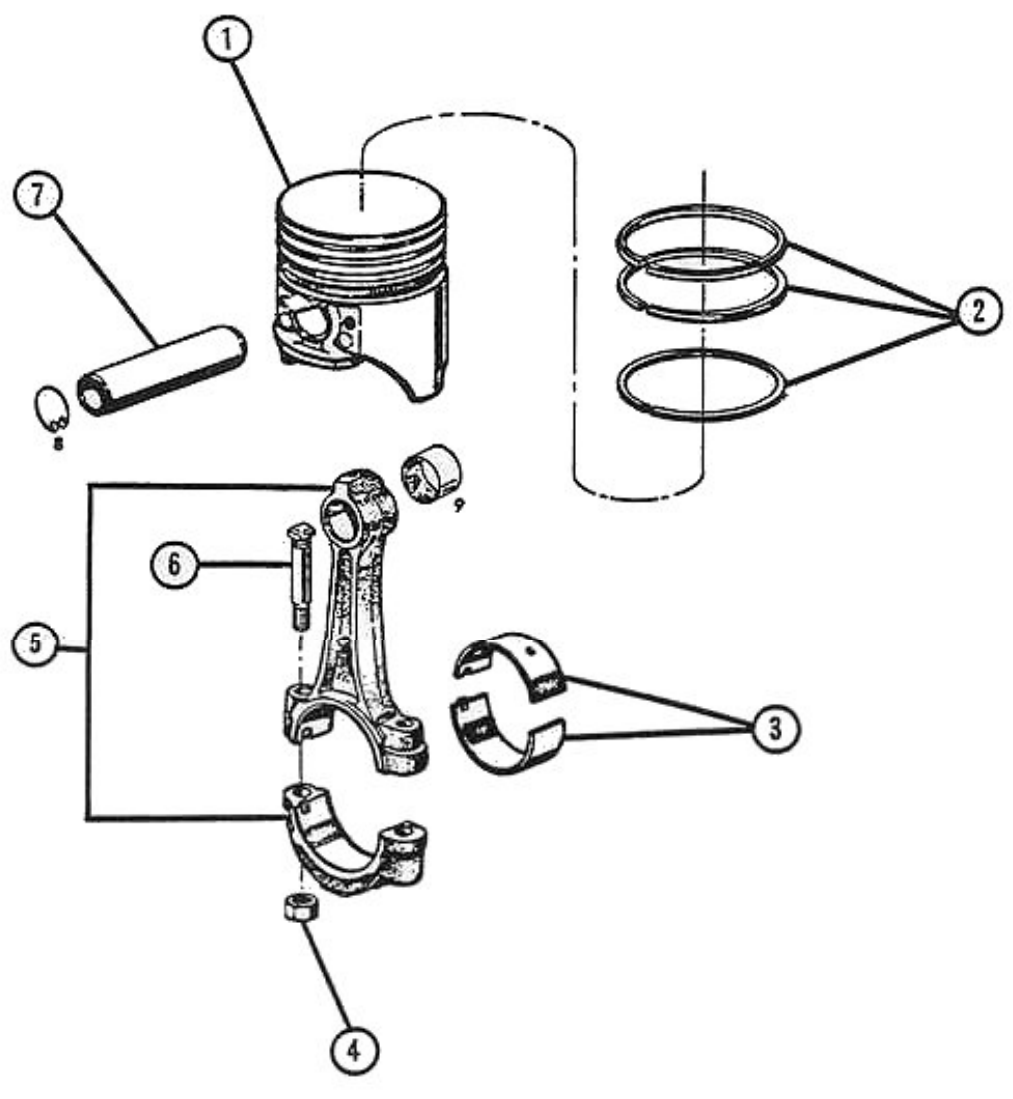
ENGINE BLOCK - CYLINDER HEAD GROUP

CODE	DESCRIPTION	NO. USED	PART	NOTE
<u>Early Type Up to 1969</u>				
1.	Cylinder head w/generator			
	Mounting ears	1	260994	us 259603
	Cylinder head for generator	1	256178	
	Cylinder head for alternator	1	256177	
2.	Gasket, cylinder head	2	263776	
3.	Expansion plug	1	241024	
4.	Studs, cylinder head SAE x USS	13	261036	
	Studs, lifting eye bracket	2	260723	
	Studs, water outlet flange	2	260794	
5.	Nut, cylinder head	13	260725	
6.	Pipe, water outlet	1	261052	
7.	Gasket, water outlet	1	261053	
8.	Lifting eye only	1	260603	
9.	Lifting eye & alternator bracket	1	261133	for Prestolite
10.	Lifting eye & alternator bracket	1	261141	for Motorola

Late type cylinder head after 1969

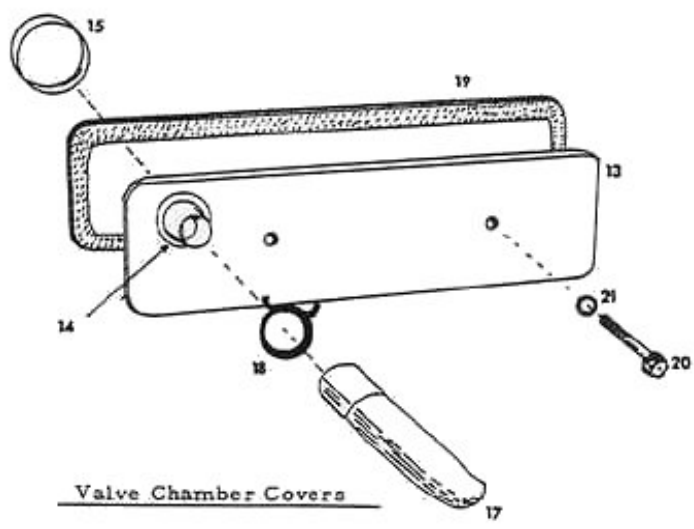
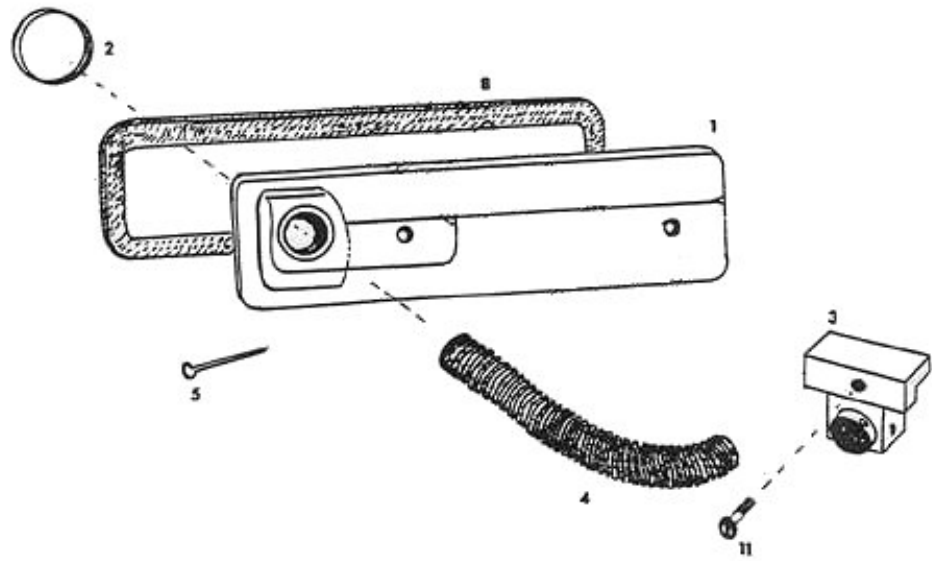
11.	Cylinder head	1	259603	
12.	Expansion plug - 7/8"	1	241028	use 260802
13.	Pipe plug	1	207779	
14.	Stud, thermo housing outlet	2	262390	
15.	Housing, thermostat outlet	1	262556	
16.	Gasket, thermostat outlet	1	261601	
17.	Nut, thermostat outlet housing	1	230147	
18.	Stud, cylinder head	3	261542	
18-1	Stud, cylinder head	13	261036	

All other parts same as early type



ENGINE BLOCK - PISTONS, RINGS & RODS

CODE	DESCRIPTION	NO. USED	PART	NOTE
1.	Piston w/pin standard	4	260999	
	Piston w/pin +010	4	262197	
	Piston w/pin +020	4	262198	
	Piston w/pin +030	4	262199	
	Pin. Piston standard	4	261031	use 299302
2.	Rings, set standard	1	287661	
	Rings, set +010	1	287873	
	Rings, set +020	1	287874	
	Rings, set +030	1	287875	
	Rings, compression only standard	8	261090	use 287761
	Rings, oil only standard	4	261091	use 287761
3.	Bearing set, connecting rod - standard	1	287556	
	Bearing set, connecting rod - +010	1	287842	
	Bearing set, connecting rod - +020	1	287843	
	Bearing set, connecting rod - +030	1	287844	
	Bearing - one half shell	8	261026	
3A.	Bearing one half shell +010	8	274723	
	Bearing one half shell +020	8	274722	
	Bearing one half shell +030	8	274721	
4.	Nut, connecting rod bolt	8	239167	
5.	Connecting rod assembly	4	289332	
6.	Bolt, connecting rod	8	261094	
7.	Pin, piston - .005	4	261031	use 299302
	Pin, piston - .010	4	287952	
	Pin, piston - .015	4	287953	
8.	Piston pin lock	8	239169	
9.	Bushing, piston pin	4	283919	use 261143



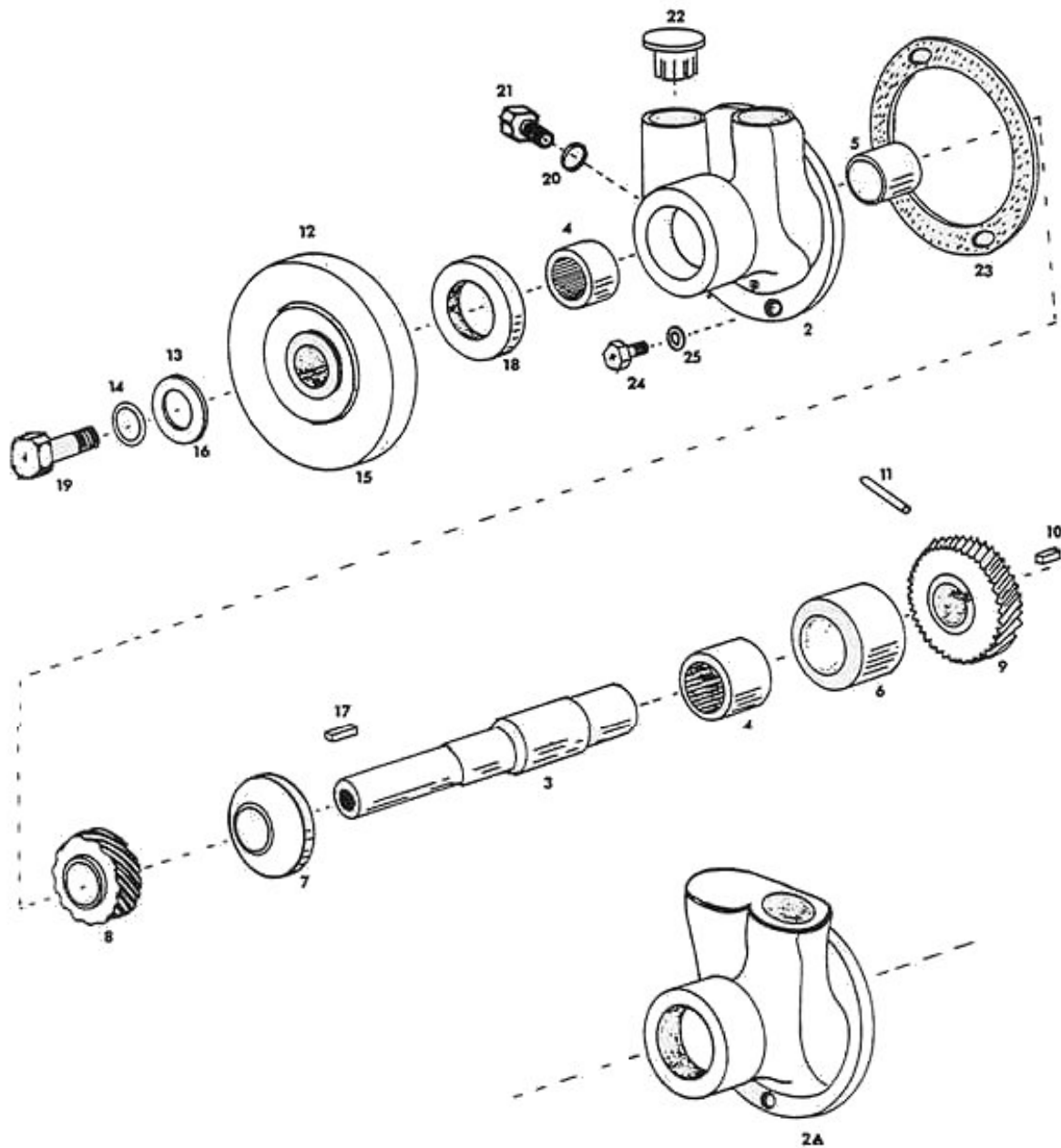
Valve Chamber Covers

ENGINE BLOCK - VALVE COVERS

CODE	DESCRIPTION	NO. USED	PART	NOTE
	Valve cover and breather assembly	1	261246	us 265544
1.	Valve cover only	1	261021	
2.	Baffel, valve cover	1	261092	
3.	Connector, breather pipe	1	261212	
4.	Tube, breather	1	260784	
5.	Cotter pin	1	294612	3/32x1-1/4"
6.	Machine screw	2	231198	8/32x1/4"RH
7.	Lockwasher	2	231889	#8-32
8.	Gasket, valve cover	1	261039	
9.	Cap Screw	2	231044	1/4-20x2-3/4"
10.	Washer, copper	2	260718	
11.	Screw, breather pipe attaching	1	284061	¹⁰ / ₃₂ x1-1/2"RH
12.	Lockwasher	1	231890	#10

Late Type after 1967

	Valve cover assembly	1	265544	
13.	Valve cover only	1	257213	
14.	Connector breather hose	1	265538	
15.	Baffle	1	265530	
16.	Pipe plug 1/8" slotted head	1	207770	
17.	Hose, breather	1	288546	
18.	Clamp hose	1	261152	
19.	Gasket	1	261039	
20.	Cap screw	2	261043	1/4-20x2-1/2"
21.	Copper washer	2	260718	



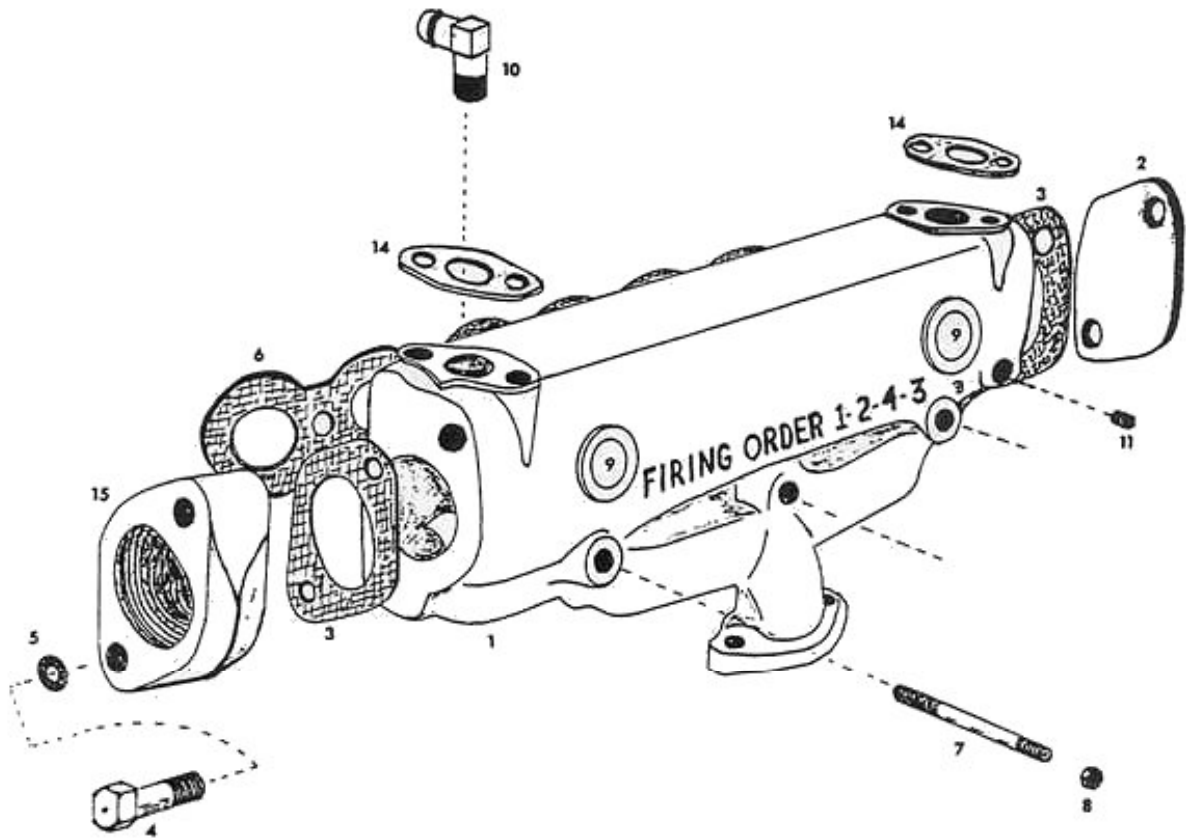
Accessory Drive Unit

ENGINE BLOCK - ACCESSORY DRIVE

CODE	DESCRIPTION	NO. USED	PART	NOTE
1.	Drive assembly for generator	AR	261263	obsolete
1A.	Drive assembly for alternator	AR	261266	
2.	Housing only - up to June 1972	1	261087	
2A.	Housing only - after June 1972	1	297471	
3.	Drive shaft	1	259647	
4.	Roller bearings	2	239549	
5.	Inner race, roller bearing at pulley end	1	239550	use 297594
6.	Bushing	1	261058	
7.	Thrust collar	1	261057	
8.	Drive gear, distributor	1	261059	
9.	Gear, driver	1	261061	
10.	Key, driven gear	1	240929	
11.	Pin, water pump drive	1	273712	
12.	Pulley, generator drive	1	261056	obsolete
13.	Washer, drive pulley	1	280055	
14.	Lockwasher, drive pulley	1	231891	5/16
15.	Pulley, alternator drive	1	261113	
16.	Washer, alternator drive pulley	1	231856	3/8"plain
17.	Key, woodruff	2	206508	
18.	Oil seal, pulley drive	1	279694	
19.	Cap screw	1	231057	5/16-18x3/4
20.	Lockwasher	1	231909	5/16
21.	Screw, tach drive sleeve	1	261085	
22.	Plug, tach hole	AR	239307	
23.	Gasket, accessory drive to block	1	260959	
24.	Screw, accessory drive mounting	2	231089	3/8-16x2-3/4
25.	Lock, accessory drive mounting	2	260704	3/8

NOTE: Part 2A housing is not bored for tach. drive sleeve unit

2A.	Drive housing assembly, late type	1	259644	
-----	-----------------------------------	---	--------	--

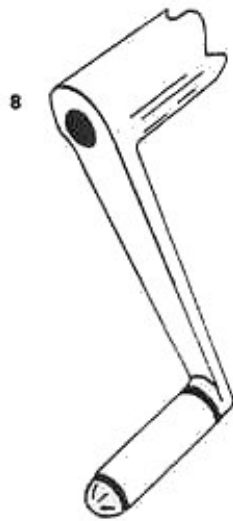
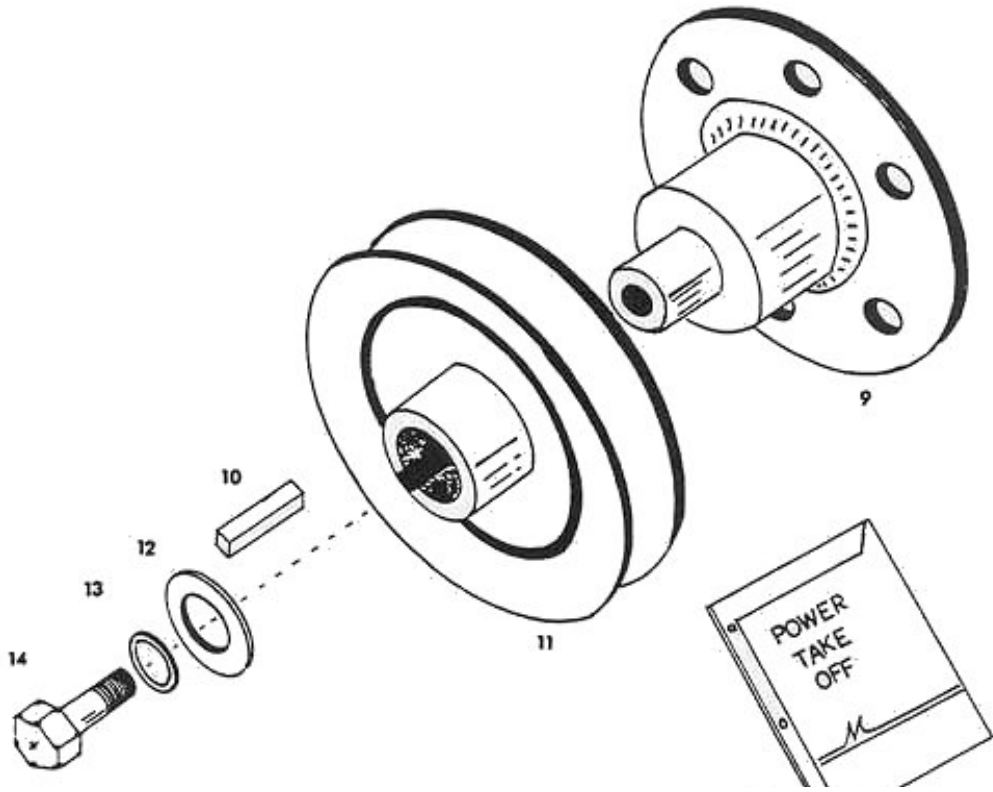


Exhaust Manifold, front outlet

ENGINE - MANIFOLD GROUP

USED WITH V-DRIVE ENGINE

CODE	DESCRIPTION	NO. USED	PART	NOTE
1.	Manifold, intake & exhaust	AR	263331	up to #79746
1A.	Manifold, intake & exhaust	AR	262208	after #79746
2.	Cover - manifold end	1	262209	
3.	Gasket	1	260459	
4.	Cap screw	2	231080	3/8-16x1"
5.	Lockwasher	2	231895	3/8
6.	Gasket, manifold to block	1	261050	
7.	Stud, SAE to USS	3	261542	
8.	Nut	3	260725	
9.	Plug, welch	2	241028	7/8"
10.	Elbow, hose to pipe (when used)	1	241020	1/2"x1/2"
11.	Pipe plug 1/8"	1	239136	
12.	Elbow, hose to pipe (when used)	1	241019	1/2" x 3/8"
13.	Bushing, water inlet (when used)	1	208106	1/2" x 3/8"
14.	Gasket, water inlet (when used)	1	260687	
15.	Flange, exhaust outlet	1	260458	1-1/4" IPT



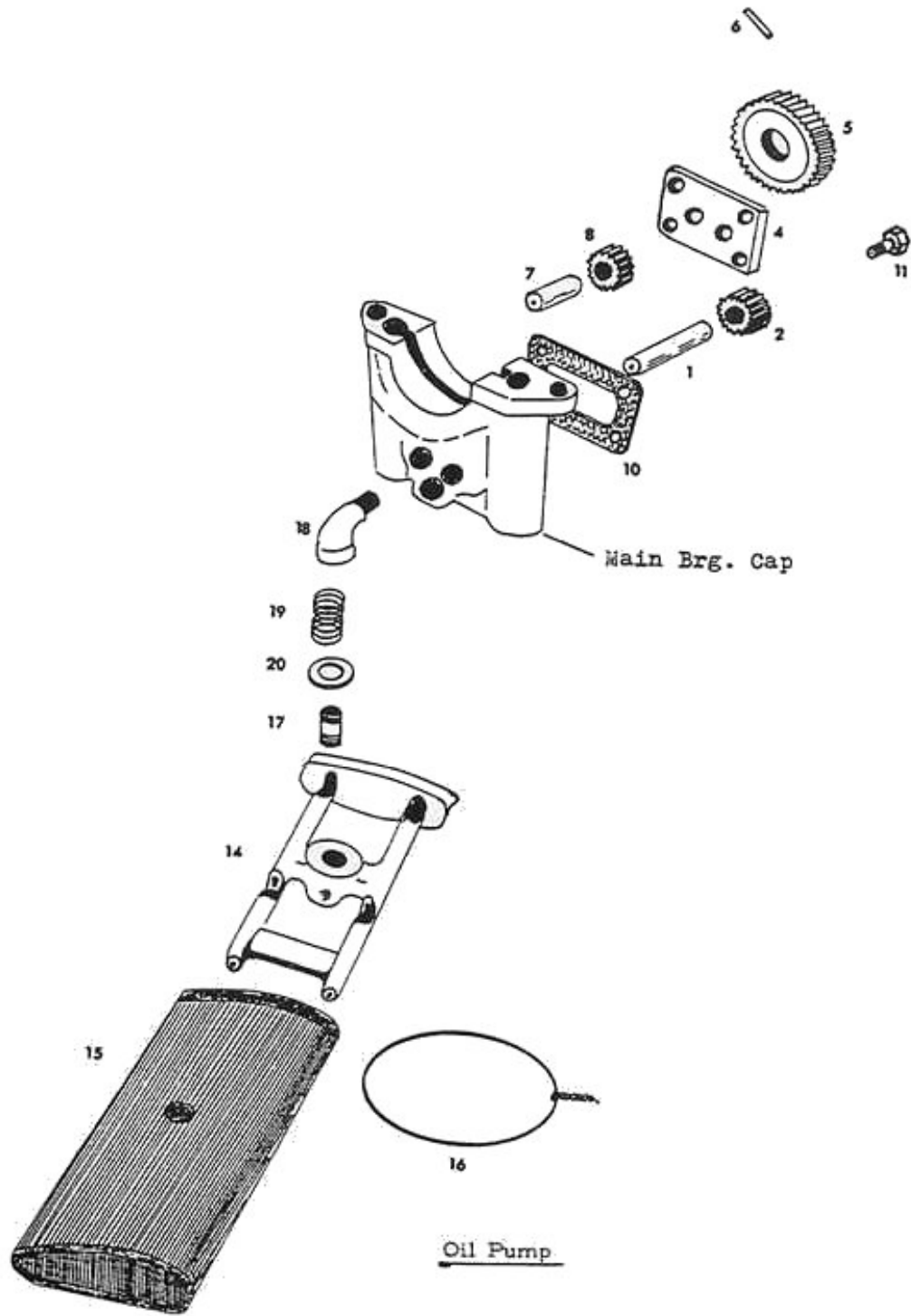
16

ENGINE - POWER TAKE-OFF

CODE	DESCRIPTION	NO. USED	PART	NOTE
1.	Stub shaft	1	261098	
2.	Pulley	1	261193	
3.	Studs	6	261099	
4.	Set screw	1	231602	3/8-16x3/8
5.	Cover, flywheel housing	1	261100	
6.	Pin, crank	1	273778	
7.	Key	1	260724	¹ / ₄ x1/4x1-5/16
8.	Hand crank	1	260752	
	Complete kit (includes above)	1	283908	obsolete

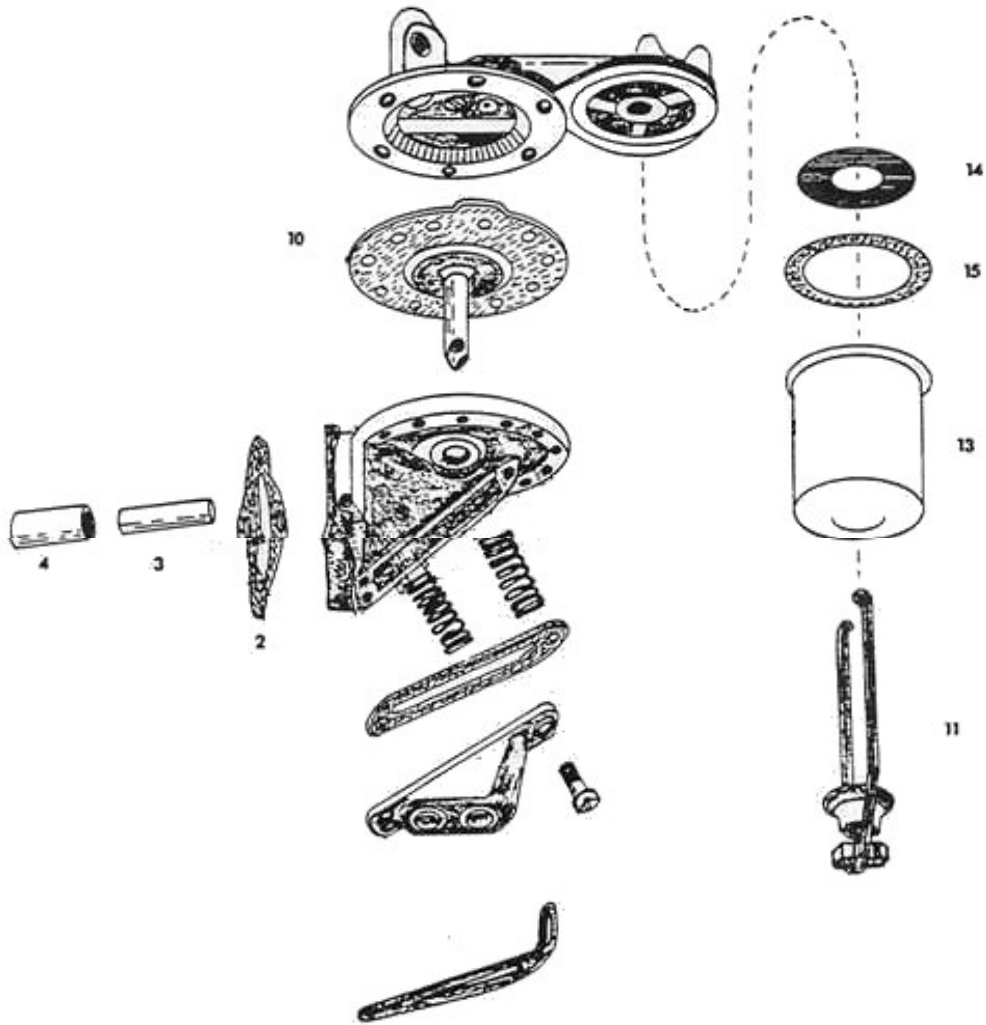
Note: above kit no longer available - use the following

9.	Power take off shaft	1	289314	
10.	Key, woodruff	1	289318	#61
11.	Pulley	1	289315	
12.	Washer, plain	1	238991	5/16
13.	Lockwasher	1	231891	5/16
14.	Cap screw	1	231057	5/16-18x3/4
15.	Installation instructions	1	239316	
	Power take off groups parts, item 9 thru 15	1	255971	
	<u>Rubber mounts</u>			
16.	Front RH	1	262247	use 289233
	Front LH	1	262248	use 289234
	Rear	2	262246	use 289232
	Installation instructions	1	262245	
	Rubber mounts, set	1	255189	



OIL GROUP - OIL PUMP & SCREEN

CODE	DESCRIPTION	NO. USED	PART	NOTE
A.	Oil pump drive shaft assembly	1	261251	
B.	Oil pump idler shaft assembly	1	261252	
1.	Oil pump drive shaft only	1	261011	
2.	Oil pump drive gear	1	261008	
3.	Oil pump drive key	1	239170	#2
4.	Oil pump drive cover	1	261007	
5.	Oil pump drive spiral gear	1	261013	
6.	Oil pump drive roll pin	1	230358	
7.	Oil pump idler shaft only	1	261010	
8.	Oil pump idler gear	1	261008	
9.	Oil pump idler key	1	239170	#2
10.	Cover gasket	1	261009	
11.	Socket head cap screw	4	231342	1/4-20x5/8"
12.	Lockwasher	4	231907	1/4
13.	Screen assembly	1	261253	
14.	Frame only	1	261012	
15.	Screen only	1	261014	
16.	Lockwire	1	298373	9"x.045
17.	Nipple	1	261015	1/8-27x15/16
18.	Street elbow	1	239199	1/8-27
19.	Spring	1	261097	
20.	Plain washer	1	231859	3/8

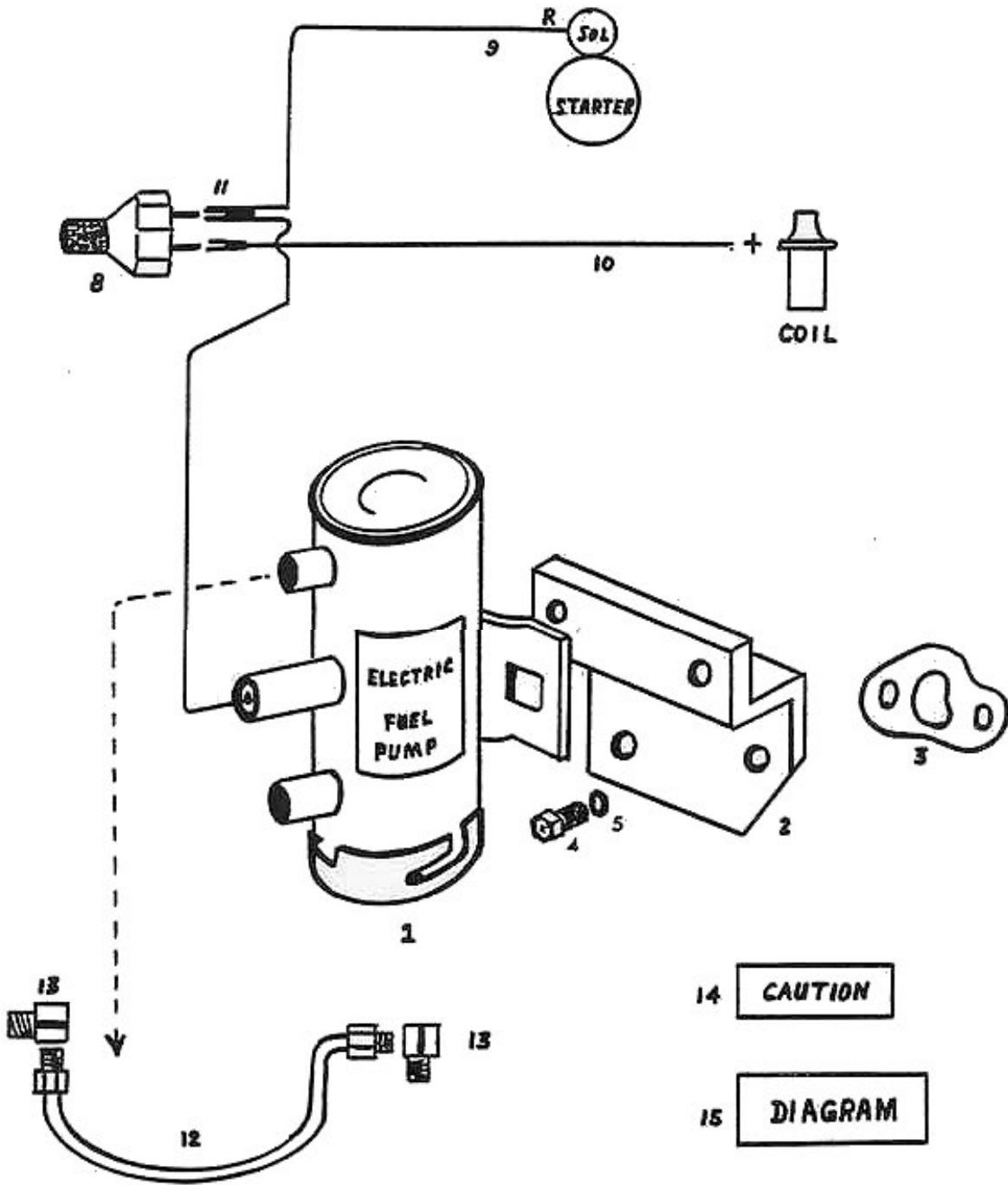


Fuel Pump

FUEL GROUP - FUEL PUMP

CODE	DESCRIPTION	NO. USED	PART	NOTE
1.	Fuel pump	1	261104	use 299250
2.	Mounting gasket	1	261562	
3.	Push rod	1	261081	
4.	Bushing, push rod	1	263759	
5.	Lockwasher, mounting	2	231891	5/16
6.	Cap screw, mounting	2	231057	5/16-18x3/4
7.	Fuel line, pump to carb	2	261096	
8.	Elbow, 90 ⁰ 1/8 IPT x 1/4 ODT	2	239312	
9.	Repair kit	1	276694	
10.	Diaphragm kit	1	273275	
11.	Pump bail assembly	1	283193	
12.	Pump glass bowl	AR	283199	
13.	Pump metal bowl	1	283206	
14.	Strainer element	1	297340	
15.	Bowl gasket	1	297339	
16.	Repair kit w/o rocker arm	1		
17.	Cork gasket	1	283251	

299250 Conversion Kit

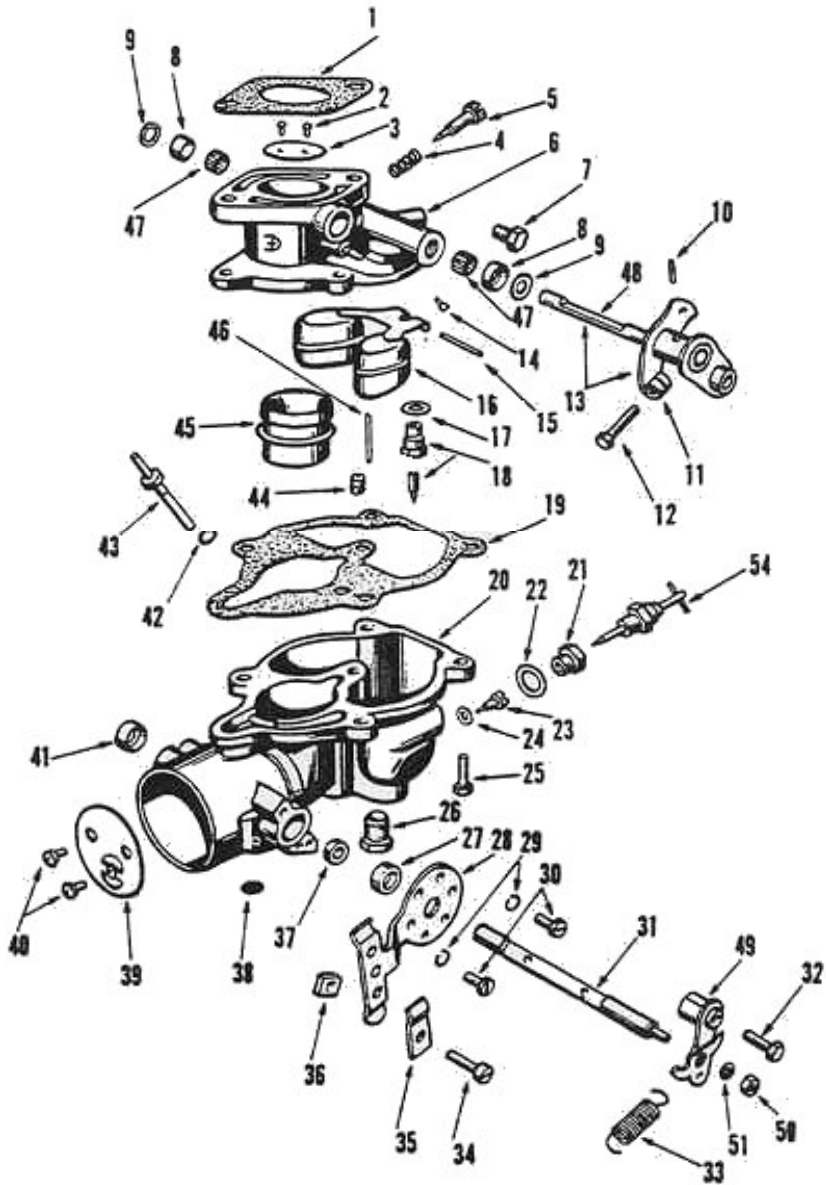


FUEL GROUP - FUEL PUMP

CODE	DESCRIPTION	NO. USED	PART	NOTE
1.	Fuel pump, electric	1	299228	use 299876
2.	Bracket, fuel pump mounting	1	299195	
3.	Gasket, bracket mounting	1	299246	
4.	Bolt, bracket attaching	2		5/16x1/2USS
5.	Washer, lock	2		5/16
6.	Bolt, pump attaching	2		1/4x1/2USS
7.	Lock, pump attaching	2		1/4
	Nut, pump attaching	2		1/4USS
8.	Switch, pressure	1	299303	
9.	Wire, switch to starter solenoid	1	299257	32"long
10.	Wire, switch to coil	1	299258	19"long
11.	Adapter, wire connector	1	299311	
12.	Pipe, fuel pump to carburetor	1	299196	
13.	Elbow	2		1/4tubex1/8
14.	Decal, "caution"	1	288890	
15.	Wiring diagram	1	288192	
16.	Electric fuel pump conversion kit	1	299250	

Note: The conversion kit is used to convert from the old style mechanical fuel lift pump to the new style electric pump.

Part number 299250 contains all the parts necessary to convert this pump and the lift pump.



Carburetor, after 1969

FUEL GROUP - CARBURETOR

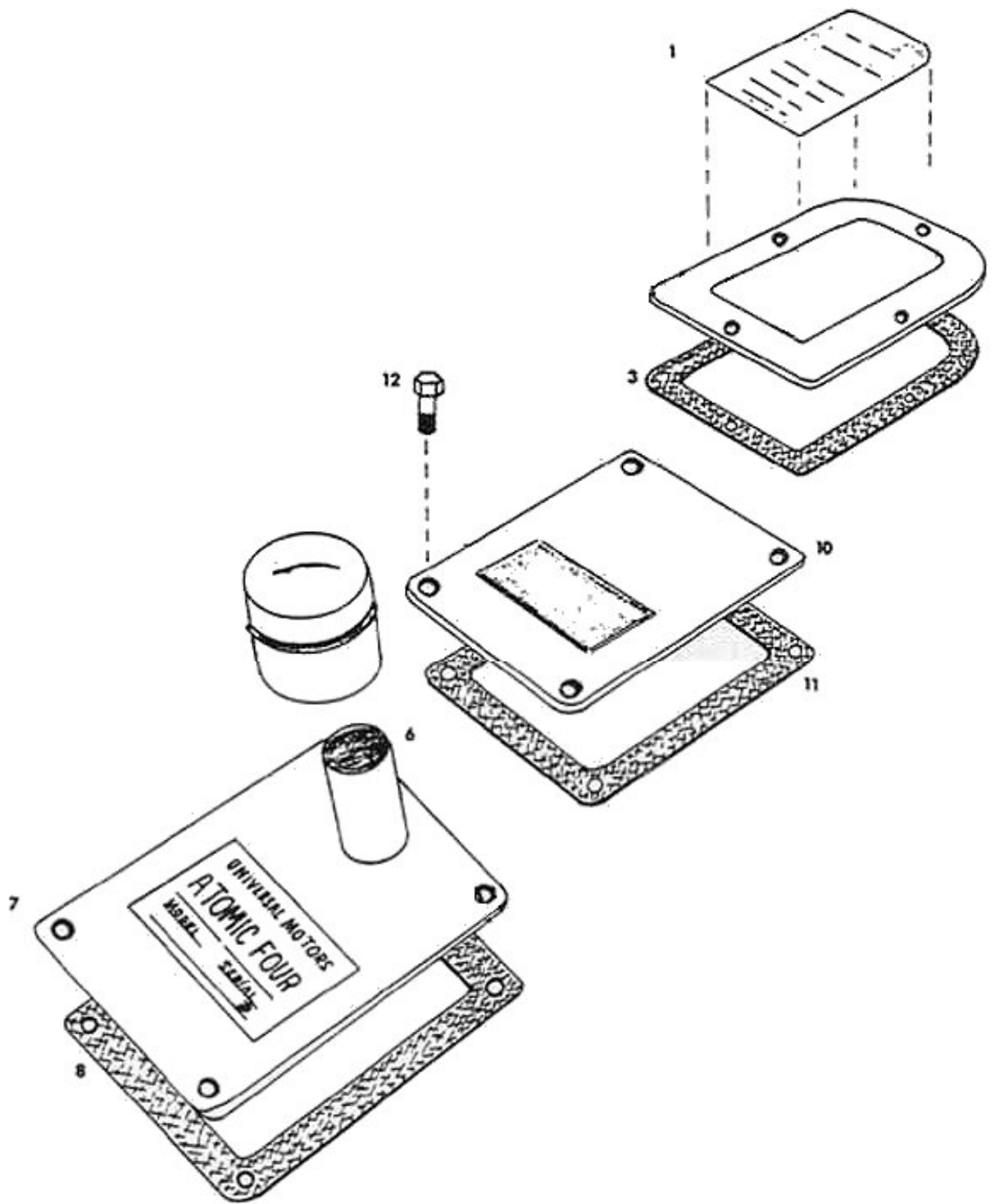
BENDIX - AFTER 1969

CODE	DESCRIPTION	NO. USED	PART	NOTE
	Carburetor assembly	1	288482	33355
1.	Mounting gasket	1	261202	C141-4-5
2.	Screw, throttle plate	1		T315B3-4
3.	Plate, throttle	1		C21-176
4.	Spring, idle adjusting needle	1		C111-17
5.	Needle, idle adjusting	1		C46-6
6.	Body, not sold separately	1		NA
7.	Plug fuel inlet	1		CT91-3
8.	Seal, throttle shaft	1		CT48-9
9.	Retainer - throttle shaft seal	1		CT52-53
10.	Taper pin	1		CT63-9
11.	Lever and stop	1	295156	
12.	Screw - throttle stop	1	298419	T858-12
13.	Shaft and lever	1	298419	C29-1645
14.	Jet, idle	1		C55-6-14
15.	Axle, float	1		C120-4
16.	Float	1		C85-103
17.	Washer	1		T56-20
18.	Valve & seat	1	295440	C81-66-25
19.	Gasket, body to bowl	1	297075	C142-74
20.	Bowl - fuel	1		NA
21.	Plug, main jet passage	1		C138-24
22.	Washer, main jet passage	1		T56-23
23.	Jet, main	1		C52-6-1-21
24.	Washer, main jet	1		T56-24
25.	Screw, body to bowl	4		T301S10-10
26.	Plug, bowl drain	1		CT91-3
27.	Retainer	1		C131-4-2
28.	Bracket - choke	1		C109-60C
29.	Lockwasher	2		T41-8
30.	Screw	2		C140-58
31.	Shaft - choke	1		C105-286
32.	Screw - swivel	1		T858-7
33.	Spring, choke lever	1	150359	C112-6
34.	Screw, tube clamp	1		T858-8
35.	Clamp	1		C110-7
36.	Nut	1		T2158
37.	Washer	1		CT57-4
38.	Disc	1		C135-29
39.	Plate	1		C101-74
40.	Screw	2		T315B5-4
41.	Plug, choke shaft hole	1		CR37-1X1
42.	Washer, discharge jet	1		T56-48
43.	Jet, discharge	1		C66-114-45
44.	Jet, well vent	1		C77-18-13

FUEL GROUP - CARBURETOR

BENDIX - AFTER 1969

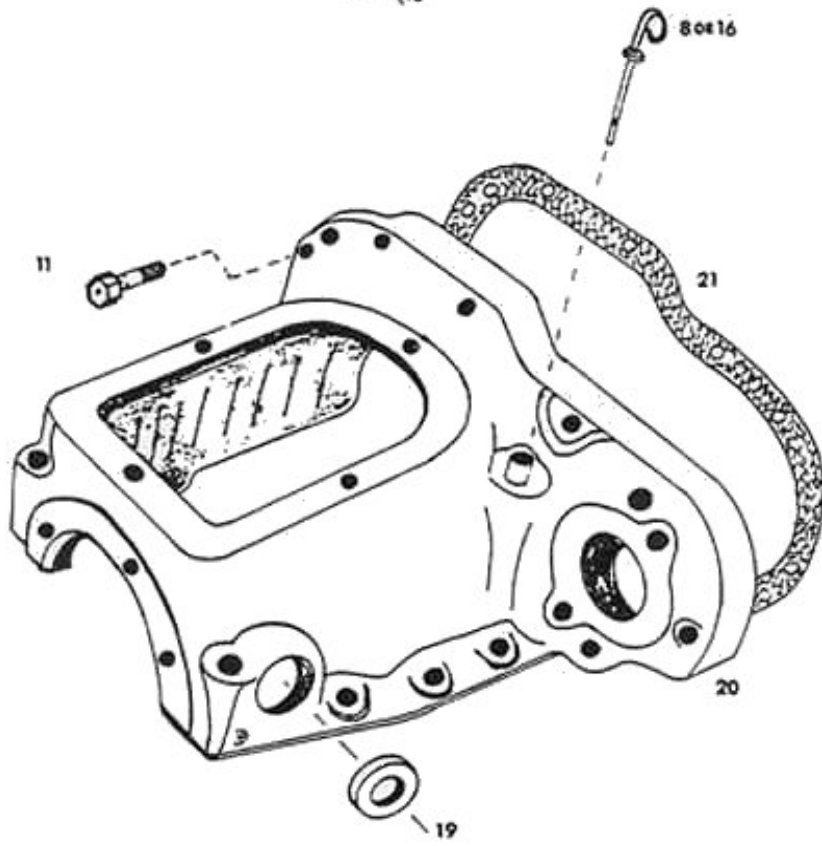
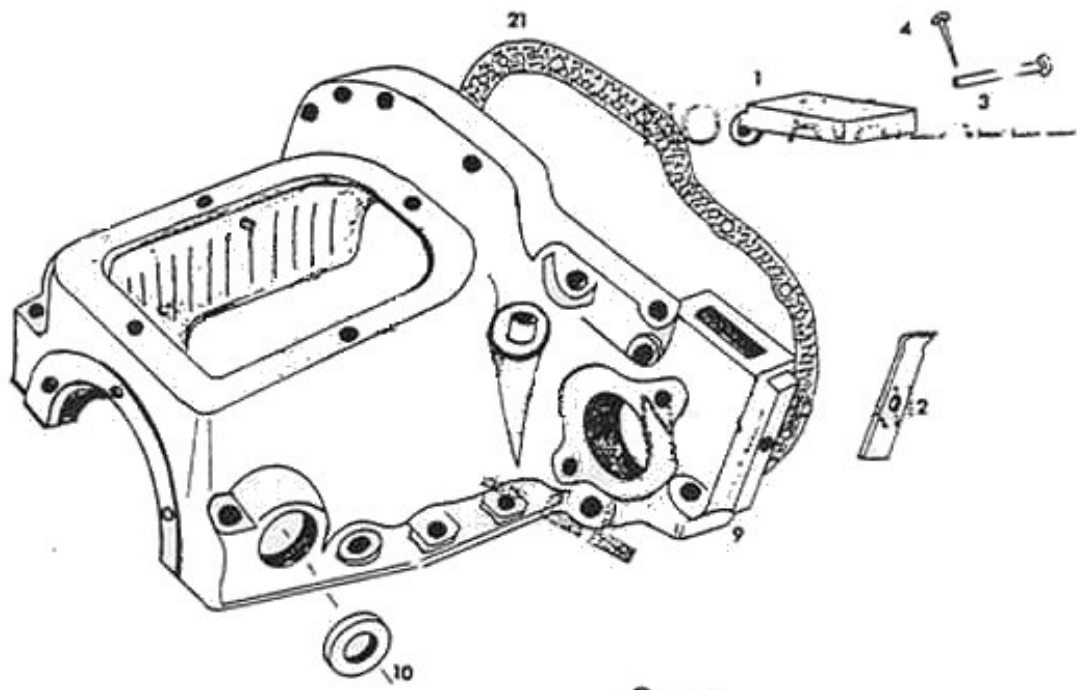
CODE	DESCRIPTION	NO. USED	PART	NOTE
45.	Venturi	1		B38-74-16
46.	Tube, idle channel filler	1		C63-224
47.	Bushing, throttle shaft	1		C9-75
48.	Shaft, throttle and lever	1	295156	C29-1645
49.	Lever, choke	1		C106-2
50.	Nut	1		T225-8
51.	Lockwasher	1		T45-8
52.	Not used	-	—	—
53.	Taper pin - choke lever	1		CT63-9
54.	Adjustment, main jet	1		C71-21
	Cap screw, carburetor mounting	2	231058	3/16-18x7/8
	Lock washer, carburetor mounting	2	231891	3/16
	Throttle control cable bracket, Pearson Yachts	1	261125	



Reverse Gear Covers

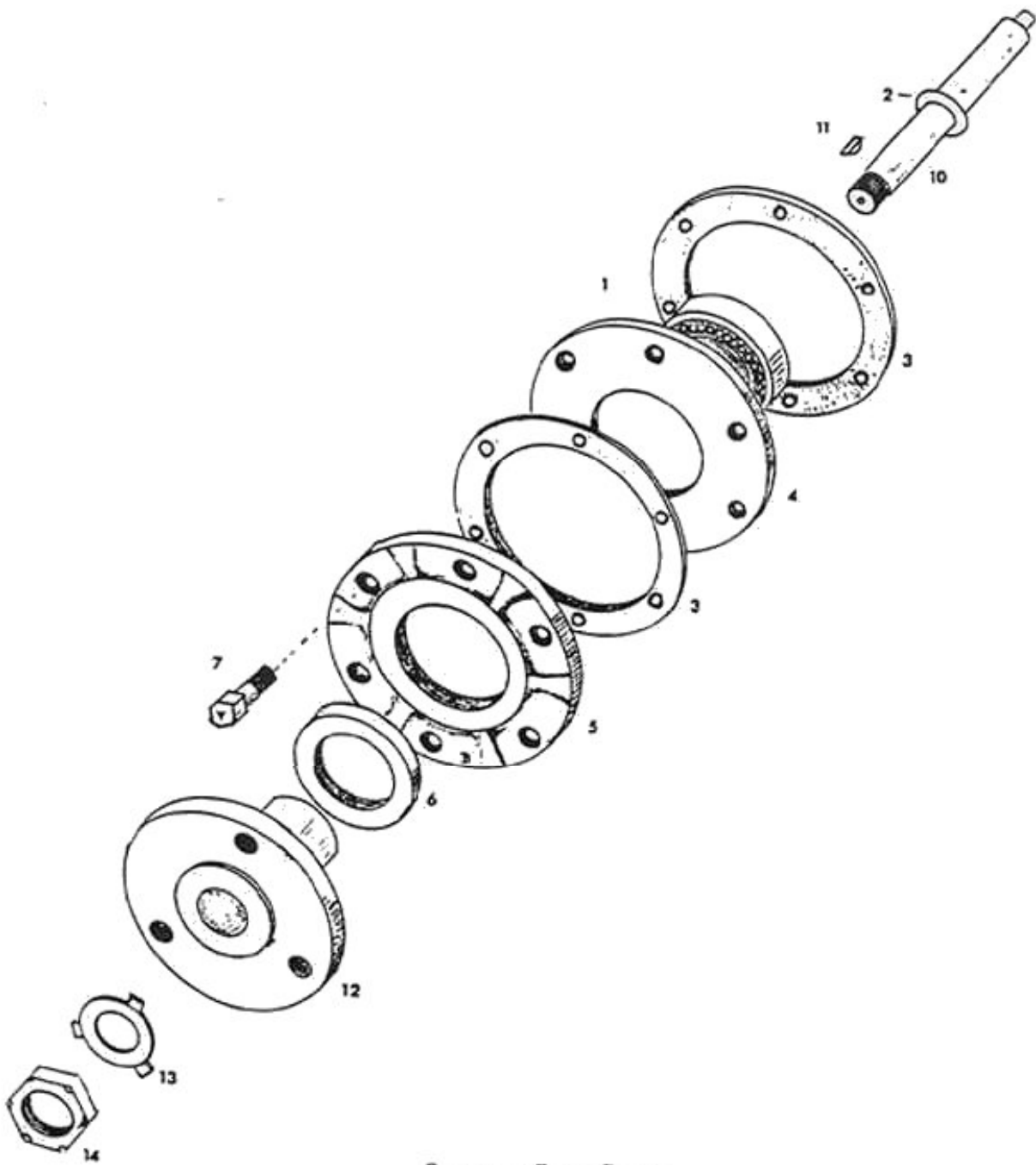
REVERSE GEAR CASE - COVER GROUP

CODE	DESCRIPTION	NO. USED	PART	NOTE
<u>EARLY TYPE UP TO 1967</u>				
1.	Name plate	1	279562	
2.	Cover	1	260761	
3.	Gasket, cover	1	260762	
<u>USED APPROX 1967 TO 1968</u>				
	Cover and filler tube assembly	1	259256	
4.	Breather cap	1	259260	use 295536
5.	Baffle spring	1	263163	
6.	Tube, oil fill	1	259255	
7.	Cover, reverse gear	1	257212	
8.	Gasket cover	1	260040	
<u>USED AFTER 1968</u>				
9.	Decal	1		
10.	Cover, reverse gear	1	288339	
11.	Gasket, cover	1	260040	
12.	Cap screw	4	231056	5/16-18.5/8
13.	Lock	4	231891	5/16"



REVERSE GEAR CASE - HOUSING GROUP

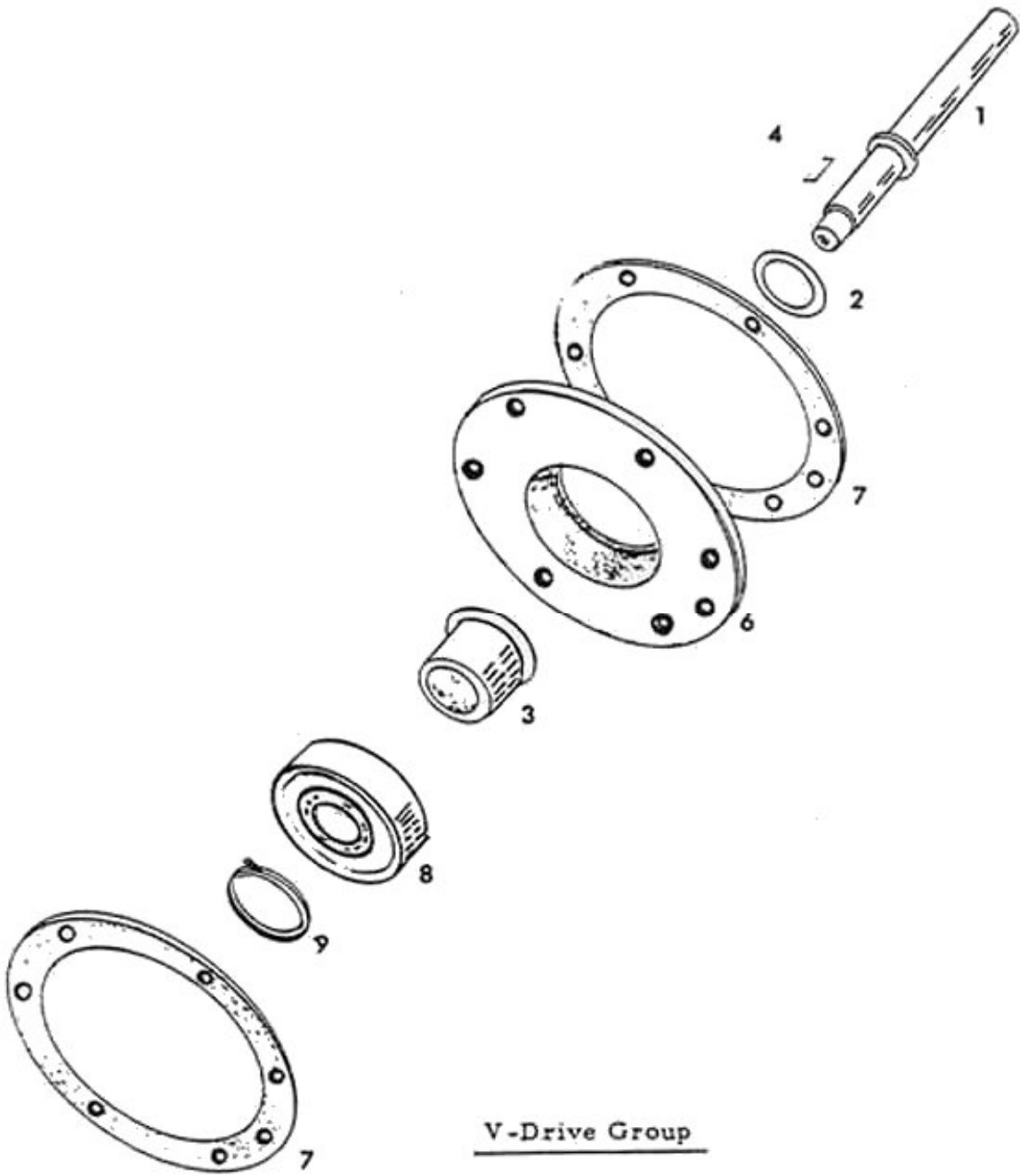
CODE	DESCRIPTION	NO. USED	PART	NOTE
<u>Early style</u>				
	Housing assembly	1	261250	
1.	Oil fill cover	1	261074	
2.	Spring, cover	1	261075	
3.	Pin, cover hinge	1	261071	
4.	Cotter pin, hinge	1	230277	1/16x1/2"
5.	Screws, hinge spring	2	231238	1/4-20x3/8
6.	Lockwashers	2	231894	3/8
7.	Tube, oil gauge	1	260701	
8.	Rod, oil gauge	1	261149	
9.	Housing only	1	260996	
10.	Oil seal, cross shaft	2	239389	
11.	Cap screw, mounting	6	231062	5/16-18x1-3/4
12.	Cap screw, mounting	6	231057	5/16-18-3/4
13.	Cap screw, mounting	2	231065	5/16-18x2-1/2
14.	Pin, housing to block	2	230444	
15.	Lockwasher	14	231891	5/16
16.	Oil gauge rod	1	263758	
17.	Tube, oil gauge	1	260701	
18.	Housing assembly	1	259627	
19.	Oil seal	2	239389	
20.	Housing only, reverse	1	260996	
21.	Gasket, mounting	1	261047	
	<u>Oil Dip Sticks</u>			
	Early series UJ and UJR		261149	use 263758
	Late series UJ and UJF	1	263758	
	V-drive engine UJVD	1	263940	



Reverse Gear Group

REVERSE GEAR CASE - HOUSING GROUP

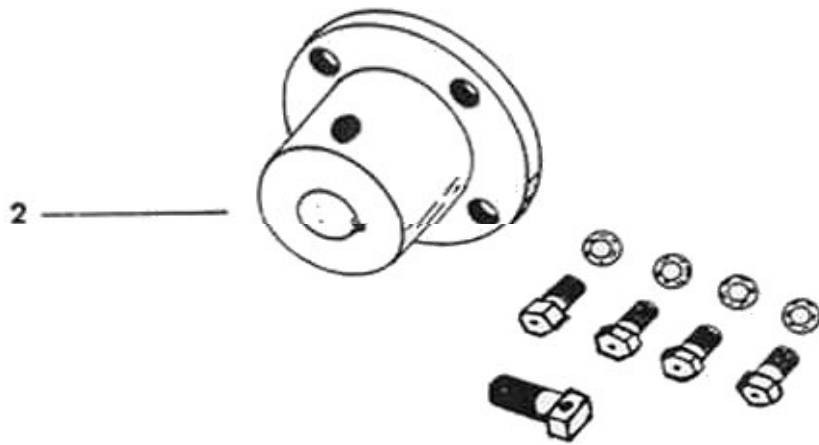
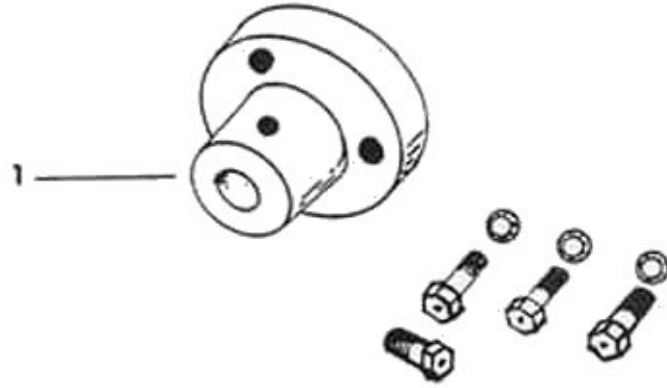
CODE	DESCRIPTION	NO. USED	PART	NOTE
1.	Bearing 1	1	203032	
2.	Spacer, rear bearing	1	261034	
3.	Gasket, bearing housing	2	261065	
4.	Housing, bearing	1	261060	
5.	Retainer, oil seal	1	261062	
6.	Oil seal - rear	1	239919	
7.	Cap, screw	6	231059	5/16-18x1
8.	Lockwasher	3	231891	5/16
9.	Copper washer	3	260703	5/16
10.	Shaft, direct drive	1	261035	
11.	Key, tail shaft - woodruff	2	206511	#9
12.	Coupling, direct drive	1	261040	special
13.	Lockwasher	1	263762	special
14.	Nut 3/4x16	1	263761	
15.	Key, engine coupling	1	263641	
	Reverse gear and tailshaft assembly	1	259626	



V-Drive Group

REVERSE GEAR CASE - MAIN SHAFT GROUP

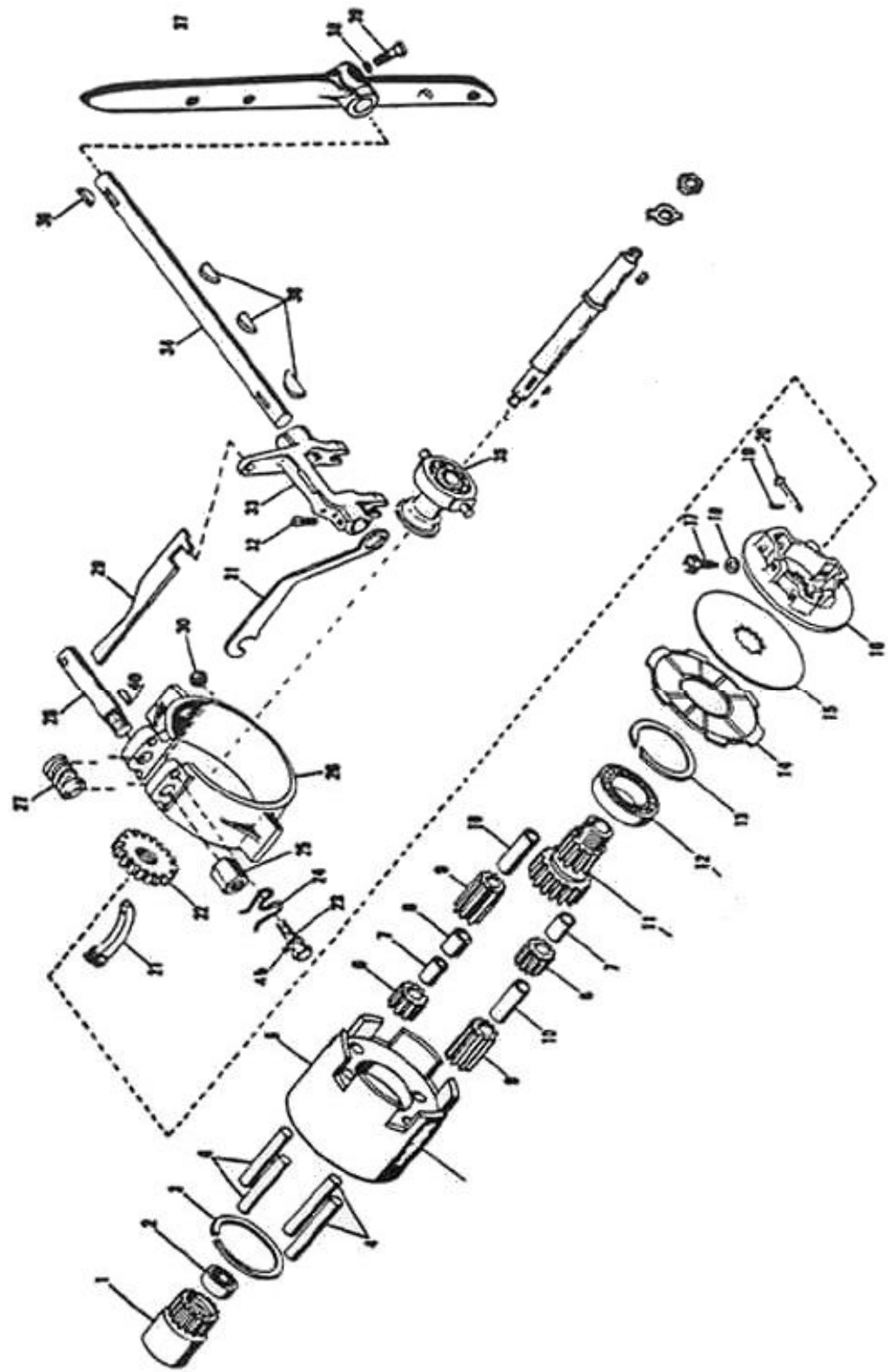
CODE	DESCRIPTION	NO. USED	PART	NOTE
<u>Used with V-drive only</u>				
	Reverse gear & tail shaft assembly	1	285449	
	Reverse gear	1	261046	
	Tail shaft & bearing sleeve assembly (no bearings included)	1	262211	
1.	Tail shaft	1	261107	
2.	Washer	1	239639	
3.	Bearing sleeve	1	262210	
4.	Key, woodruff	2	206511	
5.	Oil dip stick, used with V-drive	1	263940	
6.	Reverse gear bearing housing	1	261060	
7.	Gasket, bearing housing	2	261065	
8.	Ball bearing	1	239638	
9.	Retaining ring	1	239637	
	Oil seal - located in V-drive (upper)	1	286869	



Shaft Couplings

REVERSE GEAR - SHAFT COUPLINGS

CODE	DESCRIPTION	NO. USED	PART	NOTE
<u>Direct Drive Coupling (Paragon)</u>				
1.	Shaft coupling, bore 7/8"	AR	261063	
	Shaft coupling, bore 3/4"	AR	263392	
	Shaft coupling, bore 1"	AR	263393	
	Key	1		
	Lockwasher	3	231895	3/8"
	Cap screws	3	239548	3/8-24x11/4
	Set screw	1	238162	3/8-10x3/4
<u>Reduction Gear Coupling (UJR)</u>				
2.	Shaft coupling, bore 7/8"	AR	275814	
	Shaft coupling, bore 1"	AR	275813	
	Shaft coupling, bore 1-1/8"	AR	275812	
	Shaft coupling, bore 1-1/4"	AR		
	Key	1		
	Lockwasher	4	285305	3/8
	Cap screws	4	294508	3/8NFx3/4
	Set screw	1	231710	3/8NCx1
	Shaft coupling, bore 3/4"	1	275815	
<u>V-drive couplings</u>				
3.	Coupling, bore 7/8	AR	264056	
	Coupling, bore 1"	AR	264055	
	Lockwasher	3	VDP-224	5/16
	Cap screws	3	VDP-227	5/16x1"SAE
	Set screw	1	286946	3/8x5/8US
	Key	1	286947	1/4x1-1/34
	Coupling, bore 3/4"	1		



REVERSE GEAR CASE - GEAR GROUP

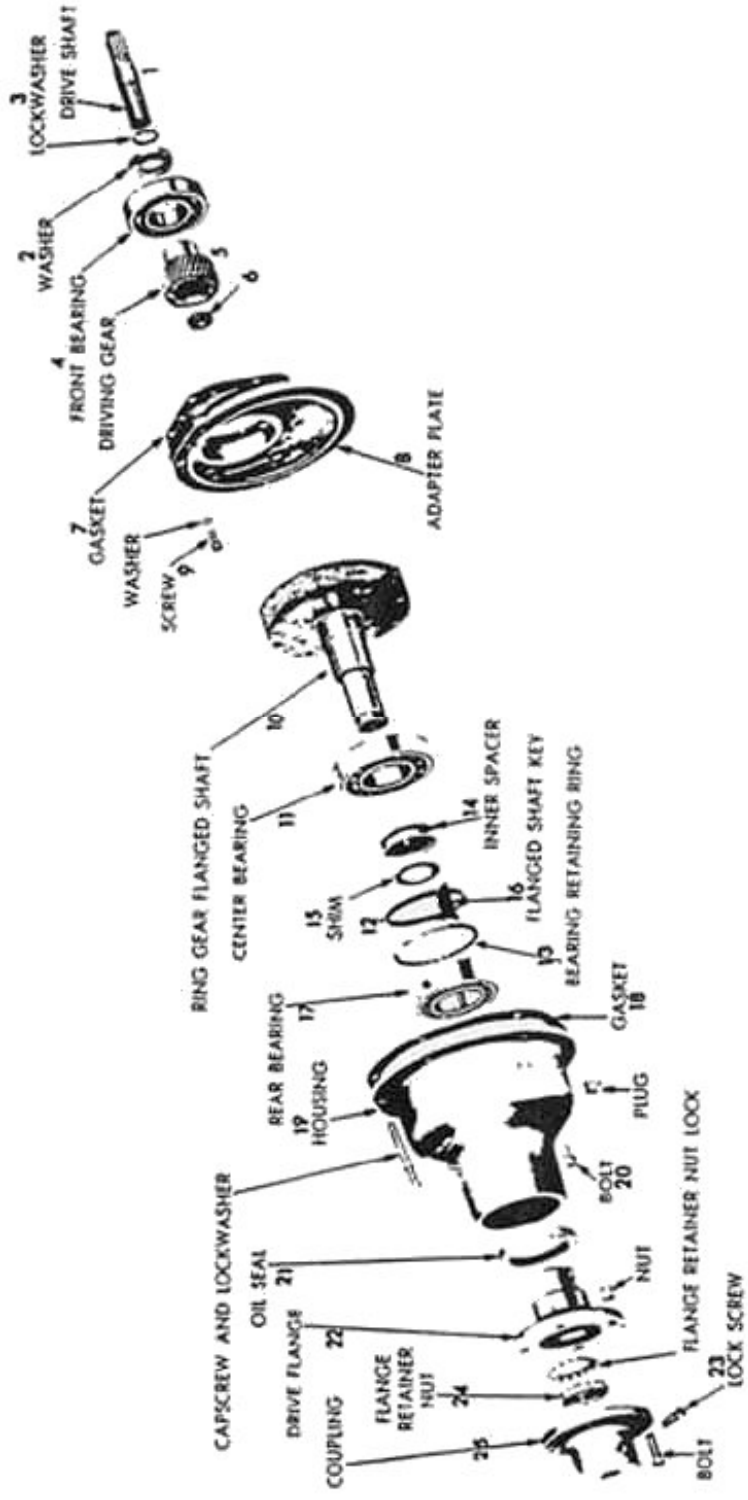
CODE	DESCRIPTION	NO. USED	PART	NOTE
	Reverse gear and tail shaft assembly	1	259626	
	Reverse gear assembly only	1	261046	
1.	Crankshaft gear	1	285982	
2.	Pilot bearing ND3201	1	285983	
3.	Retaining ring	1	285984	
4.	Pinion stud	4	285985	
5.	Gear case	1	285986	use 286230
6.	Short pinion gear	2	285987	
7.	Short bushing	2	285988	
8.	Spacer, pinion gear	2	285966	
9.	Pinion gear w/bushing, long	2	285989	
10.	Bushing, long pinion gear	2	286229	
11.	Gear, propeller	1	285990	
12.	Bearing gear cage	1	285945	
13.	Ring, retaining	1	285991	
14.	Clutch disc, outer	3	285992	
15.	Clutch disc, inner	3	285993	
16.	Plate, finger	1	285994	
17.	Screw, lock	1	285995	
18.	Lockwasher 1/4"	1	231894	
19.	Pin, cotter 1/8x1/2"	3	284969	
20.	Pin, finger	3	285996	
21.	Finger	3	285997	
22.	Collar, screw	1	285998	
23.	Cap screw	1	231058	
24.	Spring, lock	1	285999	
25.	Nut	1	290453	
26.	Band w/lining	1	286079	
27.	Spring, band	1	290413	
28.	Adjusting bolt	1	286000	
29.	Locking bar	1	285975	
30.	Nut	1	230141	
31.	Brace	1	285976	
32.	Set screw, square head	1	231681	5/16-18x1-1/2
33.	Yoke	1	285979	
34.	Cross shaft	1	285980	
35.	Operating cone	1	286080	
36.	Key	4	285981	
37.	Shift lever	1	260909	
37A.	Shift lever - special on Pearson yachts	AR	261123	use 290666
39.	Set screw	1	231684	
40.	Shaft - direct drive only	1	261035	
41.	Coupling	1	261040	

REVERSE GEAR CASE - GEAR GROUP

CODE	DESCRIPTION	NO. USED	PART	NOTE
42.	Lockwasher, tail shaft	1	263762	
43.	Locknut, tail shaft	1	263761	
44.	Key, coupling and shaft	1	263641	
	woodruff key	2	206511	#9
48.	Pin band brace	1	RGP-6267	
46.	Lock washer	1	289304	

NOTE: Starting 12/15/72 use the following
after serial #178800

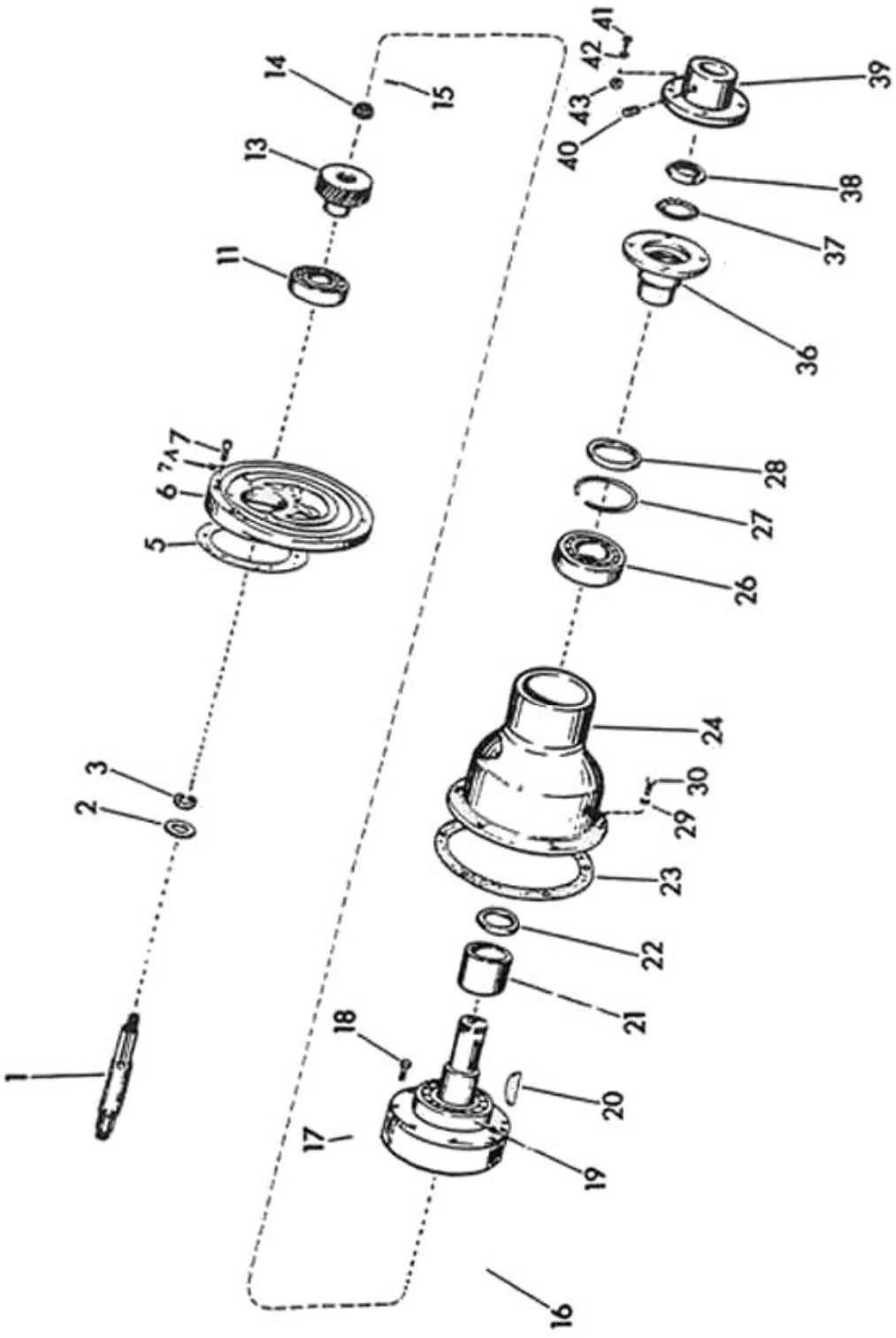
5.	Case, gear	1		
11.	Gear, propeller	1		
12.	Bearing, gear case	1		



Reduction Gear

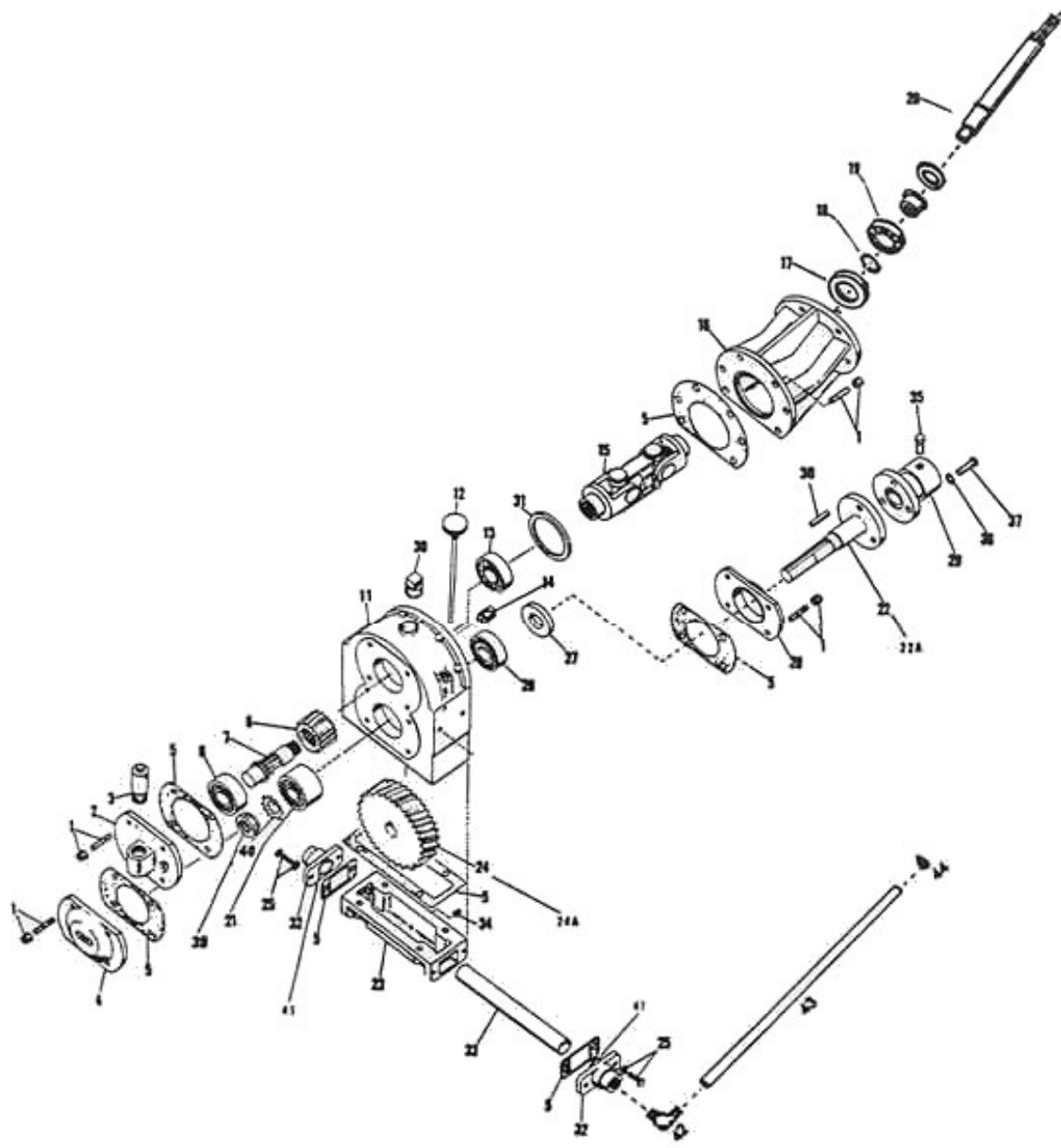
GEAR GROUP - REDUCTION GEAR - 2:1 RATIO

CODE	DESCRIPTION	NO. USED	PART	NOTE
	Reduction gear assembly		261082	
1.	Shaft, pinion drive	1	286228	
2.	Ring, spacer	1	295399	
3.	Ring, retainer	1	286211	
4.	Bearing, forward	1	286213	
5.	Gear, pinion drive	1	286213	
6.	Nut, lock drive gear	1	287372	
	Cotter pin	1	RGP-6242	
7.	Gasket, adapter plate	1	261065	
8.	Plate, adapter	1	286201	
9.	Screw, socket head	6	231503	
10.	Shaft, output	1	286205	
11.	Bearing, center	1	285038	
12.	Spacer - outer	1	286208	
13.	Ring, snap	1	286211	
14.	Spacer	1	286206	
15.	Washer, seal cork	1	286207	
16.	Key			
17.	Bearing, rear	1	285038	
18.	Gasket	1	286204	
19.	Housing	1	286202	
20.	Screws, mounting	6	231080	3/8-16x1
	Lock	6	231859	
21.	Seal	1	286212	
22.	Coupling, gear, half	1	286209	
23.	Lock	1	287652	
24.	Nut	1	287381	
25.	Coupling, shaft, half			



GEAR GROUP - REDUCTION GEAR - 3:1 REDUCTION

CODE	DESCRIPTION	NO. USED	PART	NOTE
1.	Shaft, pinion	1	UJ123	
2.	Spacer, collar	1		
3.	Ring, retainer	1	286224	
5.	Gasket	1	261065	
6.	Plate, adapter	1		
7.	Screw, adapter plate	6		
11.	Bearing, pinion	1	286213	
12.	Not used			
13.	Pinion gear, driving	1		
14.	Nut	1	286218	
15.	Key 1/8"x 2"	1		
17.	Shaft, output	1	286219	
19.	Bearing	1	286214	
20.	Key	1		
21.	Spacer	1	286220	
22.	Washer, seal	1	286221	
23.	Gasket	1	286204	
24.	Housing	1	286217	
27.	Snap ring	1		
26.	Bearing	1	286214	
28.	Oil seal	1	286212	
30.	Screw 3/8-16x1"NC	6	231080	
36.	Coupling	1	286222	
37.	Lock	1	286215	
38.	Nut	1	286216	



GEAR GROUP - V-DRIVE

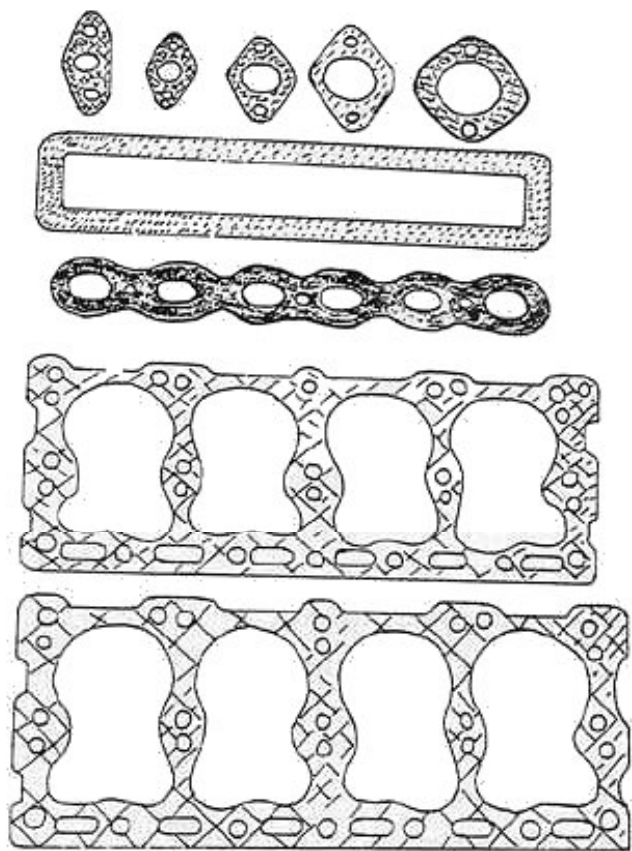
CODE	DESCRIPTION	NO. USED	PART	NOTE
	Assembly - 1.1 ratio		262214	
	Assembly - 1.29 reduction		262215	
	Assembly - 1.67 reduction		262216	
	Assembly - 2.1 reduction		261105	
1.	Stud and nut	2	286862	
2.	Cover	1	286841	
3.	Cap, breather	1	286856	
4.	Cover	1	VDP104	
5.	Gasket set	1	286857	
6.	Bearing	1	286859	
7.	Shaft, pinion	1	286845	
8.	Pinion 1.1 ratio	AR	286846	
	Pinion 1.29:1	AR	286847	
	Pinion 1.67:1	AR	286848	
	Pinion 2:1	AR	286849	
11.	Housing	1	286840	
12.	Oil dip stick	1	286864	
13.	Bearing	1	286858	
14.	Plug, magnetic	1	286865	
15.	Universal joint	1	286868	
16.	Angle housing	1	286867	
17.	Oil seal	1	286869	
18.	Ring, snap	1	239637	
19.	Ball bearing	1	239637	
20.	Shaft assembly	1	262211	
21.	Ball bearing	1	286860	
22.	Shaft, gear	1	286855	
23.	Cover, water cooled	1	286843	
24.	Gear 1:1 ratio with spline	AR	286850	
	Gear 1:29:1 ratio with spline	AR	286851	
	Gear 1:67:1 ratio with spline	AR	286852	
	Gear 2:1 ratio with spline	AR	286853	
25.	Screw, upper and lower cover	4	286863	
26.	Ball bearing	1	286861	
27.	Seal, lower shaft	1	286844	
28.	Cover	1	286842	
29.	Coupling, prop shaft	AR	264056	7/8" bore
	Coupling, prop shaft	AR	264055	1" bore
30.	Pipe plug	1	VDP207	1/4" IPT
31.	Plate, retainer	1	286943	
32.	Plate, end cooler	1	286944	
33.	Tube	1	286945	
34.	Plug	1	VDP218	1/8" IPT

GEAR GROUP - V-DRIVE

CODE	DESCRIPTION	NO. USED	PART	NOTE
35.	Set screw	1	286946	3/8x5/8"USS
36.	Lockwasher	1	VDP224	5/16"
37.	Cap screw	1	VDP227	5/16x1"SAE
38.	Key	1	286947	
39.	Nut	1	286948	
40.	Star washer	1	286949	
41.	O ring	1	286952	7/8"
42.	Water outlet elbow to engine pump	1	241019	1/2"x3/8"
43.	Hose V-drive to engine pump	1	288986	1/2"x18"
44.	Clamp, hose	2	274927	
45.	Cap screw, V-drive mounting	6	231060	5/16-18x1-1/4
46.	Lock washer, V-drive mounting	6	231891	5/16"

NOTE:

Keywayed pinion and gears are obsolete - replace with splined type. New style splined shaft must also be replaced to match new style splined gears.



Gaskets, Valve Grind

GASKETS - UPPER PARTIAL LIST

CODE	DESCRIPTION	NO. USED	PART	NOTE
<u>Valve Grind Set</u>				
Consists of:				
1.	Gasket, exhaust flange	1	260459	
2.	Gasket, water pipe flange	1	260687	
3.	Gasket, valve cover	1	261039	
4.	Gasket, manifold to block	1	261039	
5.	Gasket, cylinder head outlet	1	261053	
6.	Gasket, carburetor mounting	1	261202	
7.	Gasket, thermostat housing	1	261601	
8.	Gasket, head gaskets	2	263776	

GASKETS - COMPLETE SET

CODE	DESCRIPTION	NO. USED	PART	NOTE
<u>Overhaul Engine Package</u>		1	285608	

Consists of the following:

1.	Gasket, reverse gear cover	1	260040	
2.	Gasket, exhaust flange	1	260459	
3.	Gasket, water pump cover	1	260680	
4.	Gasket, water inlet on manifold	1	260687	
5.	Gasket, reverse gear cover - early	1	260762	
6.	Gasket, accessory drive	1	260959	
7.	Gasket, oil pump cover	1	261009	
8.	Gasket, valve cover	1	261039	
9.	Gasket, flywheel housing	1	261042	
10.	Gasket, water pump mounting	1	261044	
11.	Gasket, reverse gear housing	1	261047	
12.	Gasket, oil pan	2	261048	
13.	Gasket, water inlet plate	1	261049	
14.	Gasket, manifold to cylinder block	1	261050	
15.	Gasket, cylinder head outlet - early	1	261053	
16.	Gasket, reverse gear bearing housing	2	261065	
17.	Gasket, thermostat early type	1	261144	
18.	Gasket, carburetor mounting	1	261202	
19.	Gasket, thermostat housing - late	1	261601	
20.	Gasket, fuel pump mounting	1	261562	
21.	Gasket, cylinder head	2	263776	
22.	Gasket, reduction gear 2:1 ratio	1	286204	
23.	Gasket, water pump	1	287456	