



**A Division of Dura Automotive Systems**  
 1120 North Main Street • Elkhart, IN 46514  
**PHONE:** 574•264•2131 **FAX:** 574•262•2550  
**INTERNET:** <http://www.atwoodmobile.com>



**L.P. GAS  
 WATER HEATER  
 4 - 6 - 10 GALLON  
 Models 4-E & 10-E**

**ENGLISH, FRANCAIS (et Canada)**

**•Installation •Operation •Maintenance**

Effective 2.10.06

This water heater design has been certified by the Canadian Standards Association for installation in recreation vehicles. **This water heater is not for use in marine applications.**

**SERVICE CALLS & QUESTIONS**

Location and phone numbers of qualified Service Centers can be found at our website <http://www.atwoodmobile.com> or call 574-262-2655 to have a Service Center List mailed.

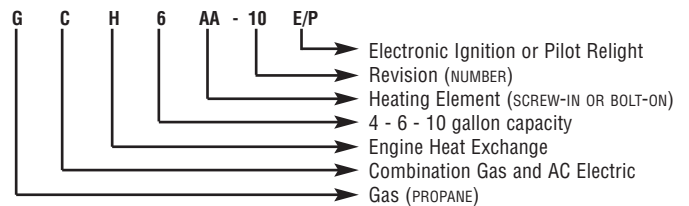
SAFETY ALERT SYMBOLS	
Safety Symbols alerting you to potential personal safety hazards. Obey all safety messages following these symbols.	
<b>WARNING</b> avoid possible injury or death	<b>CAUTION</b> avoid possible injury and/or property damage

**Installation and service must be performed by a qualified Service Technician, Service Center, OEM or Gas Supplier.**

<b>WATER HEATER</b>	<b>MODEL IDENTIFICATION</b> .....	1
	<b>DIMENSIONS</b> .....	1
	<b>WEIGHT</b> .....	1
<b>SAFETY INFORMATION</b> .....		2-4
Water Heater <b>GENERAL INSTALLATION</b> .....		2-3
Wiring		
Cutout Chart		
Pressure - Temperature Relief Valve		
Consumer Safety Warnings .....		3
How to Operate Your Water Heater .....		3-4
Maintenance and Care Instructions .....		4-5
Preventative Maintenance .....		5
Winterizing (Flushing) Instructions .....		5
Pressure-Temperature Relief Valve.....		5
Flushing to Remove Unpleasant Odor .....		5
<b>FIGURES 1-12</b> .....		6-7
<b>PART IDENTIFICATION</b> .....		8
Water Heater <b>WARRANTY</b> .....		16

<b>WARNING</b>
<b>FIRE OR EXPLOSION</b>
<ul style="list-style-type: none"> <li>• If the information in this manual is not followed exactly, a fire or explosion may result causing property damage, personal injury or loss of life.</li> </ul>
<ul style="list-style-type: none"> <li>➤ Do not store or use gasoline or other flammable vapors and liquids in the vicinity of this or any other appliance.</li> </ul>
<b>WHAT TO DO IF YOU SMELL GAS</b>
<ul style="list-style-type: none"> <li>• Evacuate ALL persons from vehicle.</li> <li>• Shut off gas supply at gas container or source.</li> <li>• DO NOT touch any electrical switch, or use any phone or radio in vehicle.</li> <li>• DO NOT start vehicle's engine or electric generator.</li> <li>• Contact nearest gas supplier or qualified Service Technician for repairs.</li> <li>• If you cannot reach a gas supplier or qualified Service Technician, contact the nearest fire department.</li> <li>• DO NOT turn on gas supply until gas leak(s) has been repaired.</li> </ul>

**EXPLANATION OF MODEL NUMBER (EXAMPLE)**



**- IF YOUR MODEL NUMBER IS NOT LISTED -**  
 Older revision numbers may be 3, 4, 6, 7, 8 or 9 ( \_ \_ \_ \_ - X \_ )

Regardless of your revision number the current instructions are still generally applicable to your unit. If you have questions contact your dealer, an Atwood Service Center or the Atwood Service Department.

MODEL NUMBER CLARIFICATION					
TYPE	4 GAL	6 GAL		10 GAL	
Pilot Ignition	G4-7	G6A-7 GC6AA-8	GC6AA-8P GH6-7	G10-2 G10-2P	GC10A-2 GC10A-2P
Electronic Ignition		G6A-8E GC6AA-10E	GCH6A-10E GH6-8E	G10-3E GC10A-4E	GCH10A-4E GH10-3E
<b>Pilot Relight</b>	<b>P</b> IN MODEL # - SEE MODEL CLARIFICATION ABOVE				
<b>Heat Exchange</b>	<b>H</b> IN MODEL # - SEE MODEL CLARIFICATION ABOVE				
<b>Electronic Ignition</b>	<b>E</b> IN MODEL # - SEE MODEL CLARIFICATION ABOVE				
<b>Combination Gas/Electric</b>	<b>C</b> IN MODEL # - SEE MODEL CLARIFICATION ABOVE				
DIMENSIONS					SHIPPING WT.
ALL MODEL	WIDTH	HEIGHT			
6 GALLON	16"	12.5"			6 GALLON 25 lbs
10 GALLON	16"	15.5"			10 GALLON 32 lbs

## **CRITICAL INSTALLATION WARNINGS**

- Install in recreation vehicles only. RV's are recreation vehicles designed as temporary living quarters for recreation, camping, or travel use having their own power or towed by another vehicle.
- All combustion air must be supplied from outside the RV, and all products of combustion must be vented to outside the RV.
- DO NOT vent water heater with venting system serving another appliance.
- DO NOT vent water heater to an outside enclosed porch area.
- Protect building materials from flue gas exhaust.
- Install water heater on an exterior wall, with access door opening to outdoors.
- DO NOT modify water heater in any way.
- DO NOT alter water heater for a positive grounding system.
- DO NOT HI-POT water heater unless electronic ignition system (circuit board) has been disconnected.
- DO NOT use battery charger to supply power to water heater even when testing.

**USA AND CANADA - FOLLOW ALL APPLICABLE STATE AND LOCAL CODES -  
IN THE ABSENCE OF LOCAL CODES OR REGULATIONS, REFER TO CURRENT STANDARDS OF:**

- Recreation Vehicles ANSI A119.2/NFPA 501C.
- National Fuel Gas Code ANSI Z223.1 and/or CAN/CGA B149 Installation Codes
- Federal Mobile Home Construction & Safety Standard, Title 24 CFR, part 3280, or when this Standard is not applicable, the Standard for Manufactured Home Installations (Manufactured Home Sites, Communities and Set-Ups), ANSI A255.1 and/or CAN/CSA-Z240 MH Series, Mobile Homes.
- National Electrical Code ANSI/NFPA No. 70 and/or CSA C22.1
- Park Trailers A119.5
- CSA standard Z240 RV Series, Recreational Vehicle.

## **GENERAL INSTALLATION**

This is a common installation for water heaters. There are other approved methods such as Baggage Compartment (MPD 90093) and Flush Mount (MPD 93948) installations. Consult with your Field Auditor, Account Manager, or the Atwood Service Department if you have additional questions.

1. Locate water heater on floor of coach before erecting side walls. The water heater tank must be permanently supported at the same level as the bottom of sidewall cutout (by the floor or a raised floor) FIG 2. Provide adequate clearance at rear of unit for service of water connections.
2. To install water heater on carpeting, you must install appliance on a metal or wood panel that extends at least three inches beyond the full width and depth of appliance.
3. If the appliance is installed where connection or tank leakage will damage adjacent area, install a drain pan (which can be drained to out side of coach) under water heater.

## **WIRING**

All wiring must comply with applicable electrical codes.

**COMBINATION GAS/ELECTRIC MODELS** are designed to operate with gas, electricity, or a combination of both.

- Use electrical metallic tubing, flexible metal conduit, metal clad cable, or nonmetallic-sheathed cable with grounding conductor. Wire must have a capacity of 1400 watts or greater. The wiring method must conform to applicable sections of article 551 of National Electrical Code ANSI/NFPA 70.
1. Refer to **Wiring Diagram** (FIG 12). Make 120 VAC electrical connections from junction box on back of unit.
    - a. Connect hot lead to (1) Black.
    - b. Connect common lead to (2) White.
    - c. Connect ground wire from electrical service to (3) green ground lead in junction box 3.

## **CAUTION PRODUCT DAMAGE**

- When using Romex® with a bare earth ground, take care to position ground wire so it does not contact the heating element terminals.

- When a cord and plug connection to the power supply are used on water heater, power cord must be UL listed as suitable for damp locations, hard or extra hard usage. It must be a flexible cord such as type S, SO, ST, STO, SJ, SJT, SJTO, HS or HSO cord as described in National Electrical Code, ANSI/NFPA 70. The length of external cord to water heater, measured to face of attachment plug, shall be no less than 2 feet nor more than 6 feet. Supply cord must be a minimum of 14 AWG and attachment plug must be rated at 15 amps.

## **CAUTION ELECTRICAL DAMAGE**

- Label all wires before disconnecting when servicing controls.
- Verify proper operation after servicing.

## **ELECTRONIC IGNITION**

**NOTE:** It is recommended unit be connected directly to a 12V DC battery or to filtered side of an AC/DC converter. Avoid connections to unfiltered side of an AC/DC converter whenever possible. Use a minimum of 18 gauge wire, UL and CSA listed.

1. Refer to **Wiring Diagram** (FIG 12). Install remote switch in a convenient location. Position wall plate with letters up. Before making connections turn switch **OFF**.
2. Install wires see FIG 10 & 11.

## **PILOT RELIGHT - FIG 12**

1. Install unit according to **GENERAL INSTALLATION** instructions.
2. Refer to **Wiring Diagram**. Use 18 gauge wire, UL/CSA listed.
3. Read **PILOT & PILOT RELIGHT OPERATIONS**.

## **HEAT EXCHANGE MODELS - FIG 5**

1. Push a 5/8" diameter coolant system hose (5-A) [with SAE 053 A Type "E" clamp attached] onto heat exchanger tube (5-B) making a tight connection.
2. Spread hose clamp and slide toward heat exchange unit past annular groove (5-C) and release.
3. Continue to **HOW TO OPERATE YOUR WATER HEATER** and/or **Electronic Ignition OPERATION**.

## **CONTINUE GENERAL INSTALLATION**

4. Connect both 1/2" NPT water lines (FIG 2) hot water outlet female and cold water inlet female and 3/8" flared LP gas line to the water heater (FIG 9).
  - a. Allow flexibility in water and gas lines so you can pull unit forward through wall one inch past skin.
  - b. Seal gas line entrance opening (FIG 9) by sliding grommet (9-B) onto 3/8" tubing (9-D) before flaring tubing (9-E). Pull gas line and grommet through opening in housing (9-A). Connect flare fitting (9-C) and press grommet into opening. If gas line tubing is already flared, cut grommet on one side. Place split grommet over gas line and press it into opening.
  - c. Always use pipe lubricant on threads when connecting hot and cold water couplings. A suitable plastic fitting is recommended.

## **CAUTION PRODUCT DAMAGE**

- Do not lift, pull or push on main burner tube (FIG 3-F).

5. Erect side walls and cut opening. See chart and FIG 1. Frame with 2x2 lumber (or equivalent).

## **CUTOUT (FIG 1 & 2)**

CAPACITY	CUT OUT DIMENSION			DEPTH
	1-A	1-B	2-C	
Gallon				
4 - 6	12-5/8"	16-1/4"	17-5/8"	
10	15-3/4"	16-1/4"	20-5/8"	
<b>MINIMUM CLEARANCE FROM COMBUSTIBLE CONSTRUCTION</b>				
Sides:	0"	Top:	0"	
Back:	0"	Bottom:	0"	

6. Bend all flanges 90° along scored lines (FIG 3-A).
7. To prevent water leaks caulk thoroughly around opening, including bend slots. Butyl Tape (1-1/3"x1/8") may be substituted for caulking material.
8. Push unit against caulking, secure 4-corner brackets (FIG 3-B) to coach with No. 8 - 3/4" round head screws (not furnished) or equivalent. Complete the installation by inserting the same type of #8 screws in the holes provided around the flange of the water heater housing.

9. Attach access door.
- Snap hinge pin (FIG 3-C) into clip (FIG 3-D).
  - Slide cover (FIG 3-E) onto hinge pin.
  - Slide hinge pin into cover, snapping into clip at same time (FIG 3-D).
- NOTE: To remove hinge pin, support access cover and apply force to corner of hinge pin.
10. Disconnect unit and its individual shut-off valve from gas supply line during any pressure testing of system in excess of 1/2 PSIG (3.4 kPa, 14" water column [W.C.]). DO NOT set inlet pressure higher than maximum indicated on rating plate of gas valve (13" W.C.). Isolate unit from gas supply line by closing its individual manual shutoff valve during any pressure testing  $\leq$  1/2 psig.

**⚠ WARNING**  
**FIRE AND/OR EXPLOSION**

- DO NOT use matches, candles or other sources of ignition when checking for gas leaks.

11. Turn on gas and check water heater and all connections for gas leaks with leak detecting solution.
12. Fill water heater tank, check all connections for water leaks.

**PRESSURE-TEMPERATURE RELIEF VALVE**

**⚠ WARNING**  
**EXPLOSION**

- Valve is not serviceable, it must be replaced.
- Tampering with valve will result in scalding injury.
- Tampering with valve will void warranty.
- DO NOT place a valve, plug or reducing coupling on outlet part of relief valve.

**THIS VALVE IS A SAFETY COMPONENT AND MUST NOT BE REMOVED FOR ANY REASON OTHER THAN REPLACEMENT.** This water heater is equipped with a temperature and pressure relief valve (FIG 3-G) that complies with standard for Relief Valves and Automatic Gas Shutoff Devices for Hot Water Systems, ANSI Z21.22.

If you use a discharge line, do not use a reducing coupling or other restriction smaller than outlet of relief valve. Allow complete drainage of both valve and line.

**FOR REPLACEMENT PARTS:**

- DO NOT install anything less than a combination temperature-pressure relief valve certified by a nationally recognized testing laboratory that maintains periodic inspection of product of listed equipment or materials, as meeting requirements for Relief Valves and Automatic Gas Shutoff Devices for Hot Water Supply Systems, ANSI Z21.22. Valve must have a maximum set pressure not to exceed 150 psi.
- Install valve into opening provided and marked for this purpose on water heater.
- Installation must conform with local codes or in the absence of local codes, American National Standard for Recreational Vehicles, ANSI A119.2/NFPA 501C.
- For an external electrical source, ground this unit in accordance with National Electrical Code ANSI/NFPA70.

Your **ATWOOD PILOT GAS WATER HEATER** is now ready for operation. Continue to **HOW TO OPERATE YOUR WATER HEATER**

**CONSUMER SAFETY WARNINGS**

**⚠ WARNING**  
**EXPLOSION OR FIRE**

- DO NOT store or use gasoline or other flammable vapors and liquids in the vicinity of this or any other appliance.
- Should overheating occur, or gas supply fail to shut off, turn **OFF** manual gas control valve to appliance, or turn gas **OFF** at the LP tank. On **ELECTRONIC IGNITION MODEL** turn operating switch to **OFF** position and remove red wire from left hand terminal of ECO switch or turn gas **OFF** at the LP tank.
- Use with LP gas only.
- Shut off gas appliances and pilot lights when refueling.
- On **PILOT RELIGHT MODELS**, turn off the ignition module when refueling gasoline tanks or LP tanks.

**⚠ WARNING**  
**EXPLOSION OR FIRE**

- Turn gas **OFF** at the LP tank when vehicle is in motion. This disables all gas appliances and pilot lights. Gas appliances must never be operated while vehicle is in motion. Unpredictable wind currents may be created which could cause flame reversal in the burner tube, which could result in fire damage. The thermal cut off fuse could also be unnecessarily activated resulting in a complete shutdown of the water heater requiring replacement of the thermal cut off. See maintenance of electronic ignition water heaters for further explanation of the thermal cut off.
- LP tanks must be filled by a qualified gas supplier only.

**HOW TO OPERATE YOUR WATER HEATER**

**⚠ CAUTION**  
**FIRE**

- Do not smoke or have any flame near an open faucet.

If water heater has not been used for more than two weeks, hydrogen gas may form in water line. Under these conditions to reduce the risk of injury, open hot water faucet for several minutes at kitchen sink before you use any electrical appliance connected to hot water system.

If hydrogen gas is present, you will probably hear sounds like air escaping through the pipe as water begins to flow.

**⚠ WARNING**  
**SCALDING INJURY**

- Do not tamper with pilot orifice.

**⚠ CAUTION**  
**PRODUCT FAILURE**

- Do not operate without water in tank.

**PILOT OPERATION**

- Water heater may be equipped with a White Rodgers® or Robertshaw Unitrol® Control FIG 7.
- Turn gas control valve knob (FIG 7-B) to **OFF** position.
- Wait at least five minutes to allow accumulated gas in burner compartment to escape.

**FOR WHITE RODGERS® CONTROL (FIG 7)**

- Turn lighting control knob (7-B) to **PILOT** position and hold against stop while lighting pilot burner.
- Allow pilot to burn thirty seconds then release lighting control knob.
- Turn lighting control knob (7-B) to **ON** position.
- If pilot does not remain lit, repeat operation allowing longer period before releasing lighting control knob.
- Set temperature selection lever (7-A) at mark between warm and hot position.
- Close access door.

**FOR A ROBERTSHAW UNITROL® (FIG 7)**

- Turn lighting control dial (7-B) to **PILOT** position.
- Depress and hold reset push button (7-A) while lighting pilot burner (7-C).
- Allow pilot to burn thirty seconds before releasing reset push button.
- If pilot does not remain lit, repeat operation allowing longer period before releasing reset push button.
- Turn lighting control dial (7-B) to **ON** position.
- Set temperature control dial (7-C) at mid-point position between warm and hot.
- Close access door.

- For complete shut down and before servicing, turn gas control knob (FIG 7-B) to **OFF** position. When water heater is not in use set temperature control lever (White Rogers®) or dial (Robertshaw®) to lowest possible position.

 <b>WARNING</b> <b>SCALDING INJURY</b>
<ul style="list-style-type: none"> <li>Setting temperature control dial at a higher position will produce excessively hot water.</li> </ul>

The temperature knob or lever is factory adjusted to its lowest dial setting. We recommended the mid-point position between warm and hot, as noted above. This will provide for energy efficient operation and sufficient hot water. Valves for reducing point of use temperature by mixing cold and hot water are available. Consult a licensed plumber or local plumbing authority.

- To Adjust Main Burner (FIG 4):
  - Loosen air shutter screw (4-A).
  - Slide air shutter (4-B) to right until some yellow appears in main burner flame.
  - Move air shutter (4-B) to left until yellow disappears.
  - Retighten air shutter screw (4-A).

Read **MAINTENANCE AND CARE INSTRUCTIONS**

### ELECTRONIC IGNITION OPERATION

- Refer to **WIRING DIAGRAM** FIG 12. Place remote switch in **ON** position.
- If remote switch light stays on longer than 15 seconds, place remote switch in **OFF** position and wait 5 minutes.
- Repeat step one.
- For complete shut-down and before servicing:
  - Place remote switch in **OFF** position.
  - Remove red wire from left hand terminal of ECO switch (ECO to valve).
- If heater fails to operate due to high water temperature, a lockout condition occurs (indicator light on). After water cools, reset switch in **OFF** position for at least 30 seconds, then turn to **ON** position.
- If a lockout condition persists contact an Atwood Service Center.

Read **MAINTENANCE AND CARE INSTRUCTIONS & ELECTRONIC IGNITION MAINTENANCE**

### PILOT RELIGHT OPERATION

- Turn the switch located on the spark module to the **ON** position.
- Read **PILOT OPERATION** instructions.
- For complete shut down, turn lighting control knob on thermostat and spark module switch to the **OFF** position.

Read **MAINTENANCE AND CARE INSTRUCTIONS**

### GAS/ELECTRIC COMBINATION FUNCTION

**GAS OPERATION.** When the gas switch is turned on, the unit will make three attempts to light. If for any reason there is no ignition, the unit will lockout and the red lockout lamp will illuminate. If the thermostat fails, the ECO will also lockout the unit, requiring resetting. Determine the reason for no ignition, correct it, and reset the gas ignition sequence by turning the switch off, then on.

**ELECTRIC OPERATION.** When the electric switch is turned on, the relay at the rear of the unit will close and pass 110vac to the element. If the thermostat were to fail, the ECO will open and lockout the system. To correct, check the thermostat to assure good contact with the tank and reset the control by turning the electric switch off, then on.


**GAS/ELECTRIC OPERATION.** The unit can be run in both gas and electric modes simultaneously for quick recovery. note: if the gas fails to ignite, the gas mode will lockout, but the lockout lamp will not illuminate since the electric mode is still operational. Should you notice slow recovery, indicating the gas is not working, turn the electric switch off. The lamp will then illuminate indicating a lockout has occurred on the gas side. Correct the problem and turn the switches back on.

Read **MAINTENANCE AND CARE INSTRUCTIONS.**


## MAINTENANCE AND CARE INSTRUCTIONS

### SERVICE CALLS & QUESTIONS

Location and phone numbers of qualified Service Centers can be found at our website <http://www.atwoodmobile.com> or call 574-262-2655 to have a Service Center List mailed.

 <b>WARNING</b> <b>FIRE OR EXPLOSION</b>
<ul style="list-style-type: none"> <li>Shut off gas supply at LP container before disconnecting a gas line.</li> <li>Keep control compartment clean and free of gasoline, combustible material, and flammable liquids and vapors.</li> </ul>

### AFTERMARKET WATER HEATING ELEMENT DEVICES

 <b>WARNING</b> <b>EXPLOSION / BURN INJURY</b>
<ul style="list-style-type: none"> <li>DO NOT alter water heater, it will void warranty.</li> <li>DO NOT USE Aftermarket heating elements, they can lack critical safety controls.</li> <li>Use of Aftermarket heating elements can lead to an out of control heating of water tank and a catastrophic wet side explosion.</li> </ul>

The use of manufacturer's aftermarket heating element devices may also result in damage to components or water heater. Atwood's written warranty states - "failure or damage resulting from any alteration to our water heater is the owner's responsibility". Any alteration, like the addition of an aftermarket heating element device, will void the warranty.

### GENERAL INFORMATION

- LP and Water system must be turned on.
- Have gas pressure tested periodically. Should be set at 11 inches of water column with three appliances running.
- Drain water heater at regular intervals (at least one time during the year).
- Drain water heater before storing RV for the winter or when the possibility of freezing exists.
- Keep vent and combustion air grill clear of any obstructions.
- Periodically, compare flame of main and pilot burners with FIG 5 and main burner adjustments in **HOW TO OPERATE YOUR WATER HEATER**.
- When water heater is not in use set temperature control lever (White Rogers) or dial (Robertshaw) to lowest possible position. This will reduce the effects of low outdoor temperatures on calibration of temperature control mechanism.

### ELECTRONIC IGNITION MAINTENANCE

- The water heater comes factory-equipped with a fused circuit board, which will protect the circuit board from wiring shorts. If the fuse should activate, the water heater will not operate. Before replacing the fuse, check for a short external to the board. Once the short is corrected, replace the 2 amp fuse with a mini ATO style fuse. Do **not** install a fuse larger than 3 amps.
- If the fuse is good and the unit is inoperative, check for excessively high voltage to the unit (more than 14 volts).
- If the previous two steps did not solve the problem, check the thermal cut-off (FIG 3-1). The thermal cutoff is a device installed in the power supply line. This device will shut off electrical power and stop heater operation when activated. For example, if an obstruction within the flue tube should occur, as described in the Preventative Maintenance section, the burner flame/heat may contact the cutoff, resulting in a melting of the fuse element incorporated in the thermal cutoff. In order to restore power and proper operation of the water heater, the obstruction must be removed and the thermal cutoff must be replaced.

### PREVENTATIVE MAINTENANCE

Spiders, mud wasps, and other insects can build nests in the burner tube. This will cause poor combustion, delayed ignition or ignition outside combustion tube. Listen for a change in burner sounds or in flame appearance from a hard blue flame to a soft lazy flame or one that is very yellow. These are indications of an obstruction in burner tube (FIG 4-C). Inspect and clean on a regular basis.

- Remove air shutter screw (FIG 4-A) and slide air shutter (FIG 4-B) down burner tube.
- Run a flexible wire brush down burner tube (FIG 4-D) until it is visible at end of burner tube.

- c. Vacuum burner where it enters combustion tube.
- d. Return air shutter to original position and replace screw.

#### HOW TO CLEAN PILOT MODELS - FIG 6

1. Check main burner orifice and pilot assembly for contamination (dirt, spider webs, etc.).
2. Clean main burner tube with small brush.
3. Main burner adjustment - open air shutter 1/4 way.
4. Low pilot flame. Check for contamination - if clean have the pilot orifice replaced.

#### HOW TO CLEAN ELECTRONIC IGNITION MODEL

1. Check main burner orifice.
2. Clean and adjust main burner.
3. Main burner and valve manifold must align with each other
4. Check electrode for cracked porcelain (FIG 4-E).
5. Check electrode for proper gap - 1/8" between electrode and ground.
6. If module board functions intermittently, remove board and clean terminal block with pencil eraser (FIG 3-H).

#### WATER HEATER TANK CARE



#### **WARNING SCALDING INJURY**

- Turn off water heater and allow time for water to cool before removing drain plug to flush tank.

#### WINTERIZING (FLUSHING) INSTRUCTIONS

To insure the best performance of your water heater and add to the life of the tank, periodically drain and flush the water heater tank. Before long term storage or freezing weather drain and flush the tank.

1. Turn off main water supply (the pump or water supply (the pump or water hook up source)).
2. Drain Water Heater Tank by removing the drain plug. If the water flows sporadically or trickles instead of a steady stream of water, we recommend the following action; first open the Pressure Temperature Relief Valve to allow air into the tank and secondly, take a small gauge wire or coat hanger and poke through the drain opening to eliminate any obstructions.
3. After draining the tank, because of the placement of the Drain Plug, approximately two quarts of water will remain in the tank. This water contains most of the harmful corrosive particles. To remove these harmful corrosive particles flush the tank with either air or water. Whether using air or water pressure, it may be applied through the inlet or outlet on the rear of the tank or the Pressure Temperature Relief Valve. (If using the Pressure Temperature Relief Valve the Support Flange must be removed). The pressure will force out the remaining water and the corrosive particles.  
If you use water pressure, pump fresh water into the tank with the assistance of the on-board pump or use external water for 90 seconds to allow the fresh water to agitate the stagnant water on the bottom of the tank and force deposits through the drain opening. Continue repeating adding water and draining until the particles have been cleared from the water remaining in the tank.
4. Replace the Drain Plug and close the Pressure Temperature Relief Valve. the approximately two quarts of water remaining in the tank after draining will not cause damage to the tank should freezing occur.

#### PRESSURE-TEMPERATURE RELIEF VALVE



#### **WARNING EXPLOSION**

- Do not place a valve, plug or reducing coupling on outlet part of pressure-temperature relief valve.

A Pressure Temperature Relief Valve, dripping while the water heater is running, DOES NOT mean it is defective. During normal expansion of water, as it is heated in the closed water system of a recreation vehicle, the Pressure Temperature Relief Valve will sometimes drip. The Atwood water heater tank is designed with an internal air gap at the top of the tank to reduce the possibility of dripping. In time, the expanding water will absorb this air and it must be restored.



#### **WARNING SCALDING INJURY**

- Turn off water heater before opening pressure-temperature relief valve to establish air space. Storage water must be cool.

#### TO REPLACE THE AIR GAP FOLLOW THESE STEPS:

1. Turn off main water supply (the pump or water hook up source).
2. Let water cool or let run until cool.
3. Open the hot water faucet closest to the water heater.
4. Pull handle of pressure temperature relief valve straight out and allow water to flow until it stops.
5. Allow pressure temperature relief valve to snap shut; close faucet; turn on water supply.
6. Turn on water heater and test.

- At least once a year manually operate pressure-temperature relief valve (FIG 10).

When pressure-temperature relief valve discharges again, repeat above procedure. For a permanent solution, we recommend one of the following:

- Install a pressure relief valve in cold water inlet line to water heater and attach a drain line from valve to outside of coach. Set to relieve at 100-125 PSI.
- Install a diaphragm-type expansion tank in cold water inlet line. Tank should be sized to allow for expansion of approximately 15 oz. of water and pre-charged to a pressure equal to water supply pressure. These devices can be obtained from a plumbing contractor or service center.

#### FLUSHING TO REMOVE UNPLEASANT ODOR

A rotten egg odor (hydrogen sulfid) may be produced when the electro galvanic action of the cladding material releases hydrogen from the ater. if sulfur is present in the water supply the two will combine and produce an unpleasant smell.

1. Turn off main water supply. Drain the water heater tank and reinstall drain plug. Remove the pressure-temperature relief valve. Mix solution of 4 parts white vinegar to two parts water. With a funnel, carefully pour solution into tank.
2. Cycle water heater with the above solution, letting it run under normal operation 4-5 times.
3. Remove the drain plug and thoroughly drain all water from the tank. Flush the water heater to remove any sediment. You may flush the tank with air pressure or fresh water. pressure may be applied through either the inlet or outlet valves on the rear of the tank or through the pressure-temperature relief valve coupling located on the front of the unit.

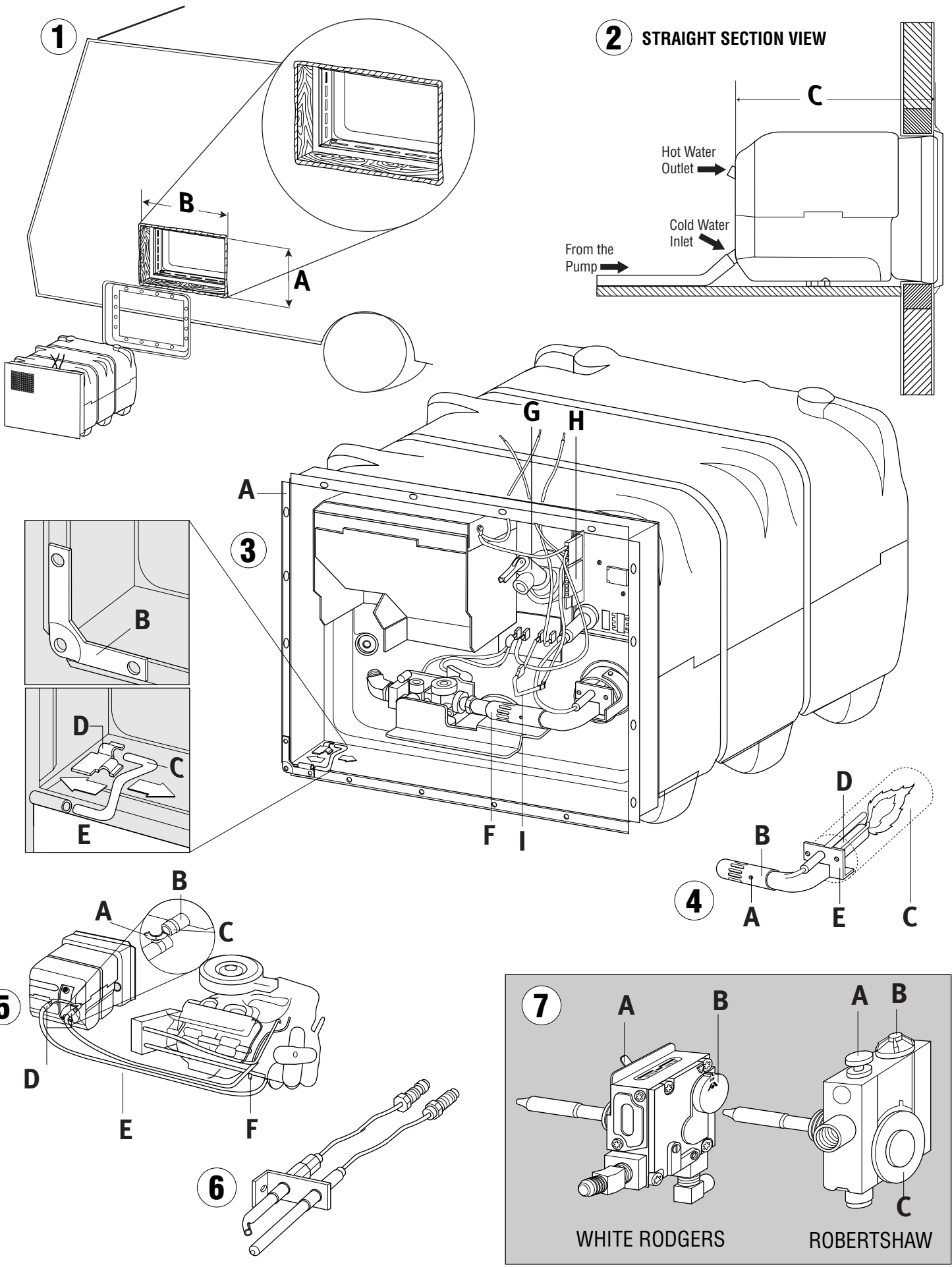
#### TO FLUSH TANK WITH AIR PRESSURE:

Insert your air pressure through the pressure-temperature relief valve coupling. With the drain valve open, the air pressure will force the remaining water out of the unit.

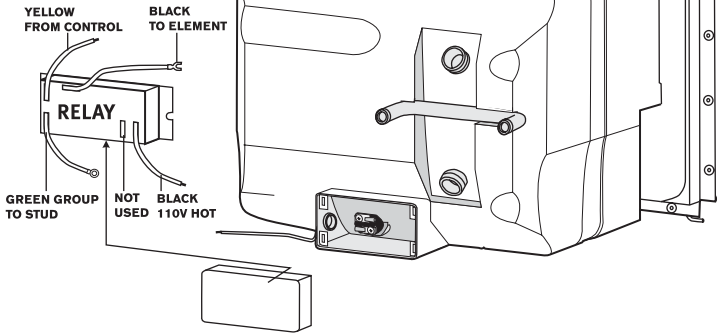
#### To flush tank with water pressure:

Fresh water should be pumped into the tank with either the onboard pump or external water pressure. Continue this flushing process for approximately 5 minutes, allowing the fresh water to agitate the stagnant water on the bottom of the tank and forcing the deposits through the drain opening.

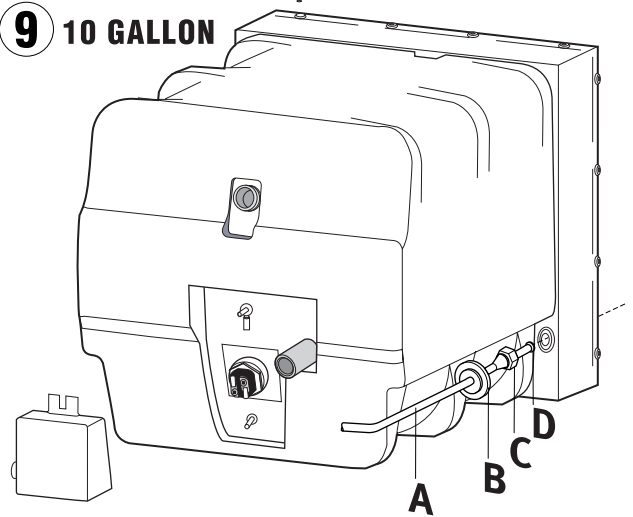
4. Replace drain plug and pressure-temperature relief valve.
  5. Refill tank with fresh water that contains no sulphur.
- The Atwood water heater is designed for use in a recreation vehicle. If you use your vehicle frequently or for long periods of time, flushing the water heater several times a year will prolong the life of the storage tank.



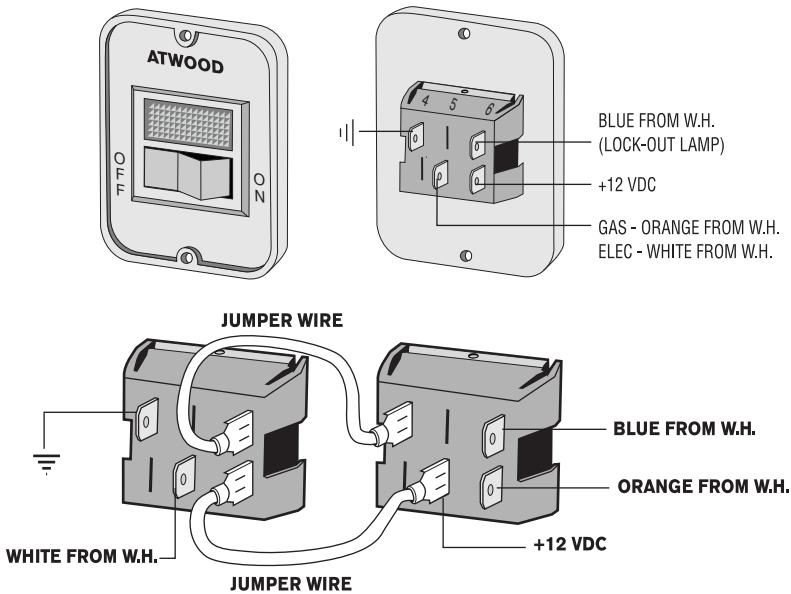
## 8 6 GALLON



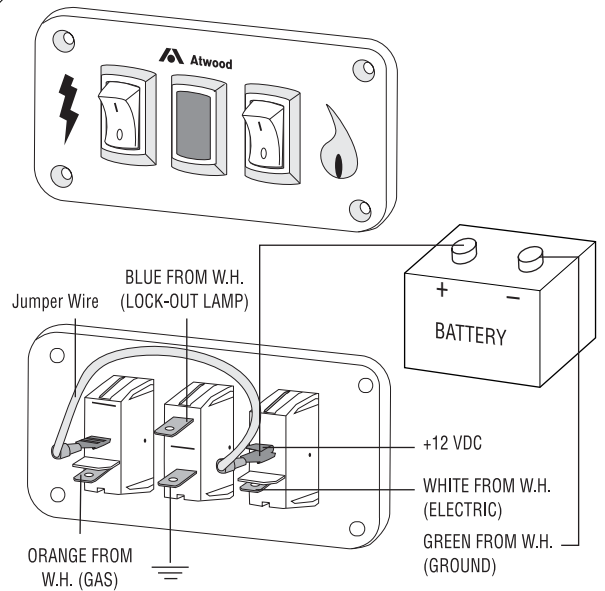
## 9 10 GALLON



## 10 SINGLE SWITCH



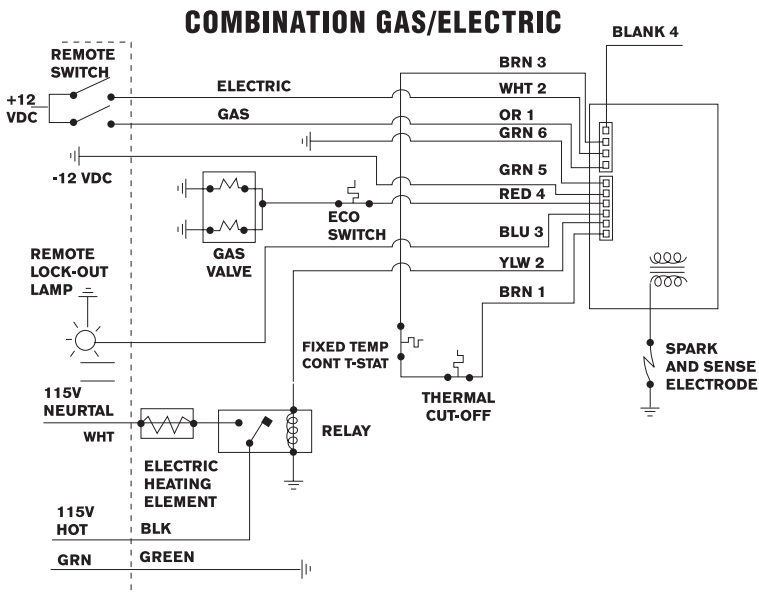
## 11 DUAL SWITCH



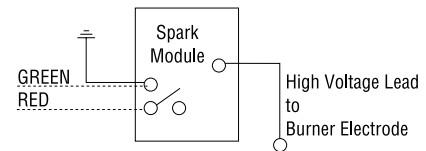
Dotted lines are wired by customer

## 12 WIRING DIAGRAMS

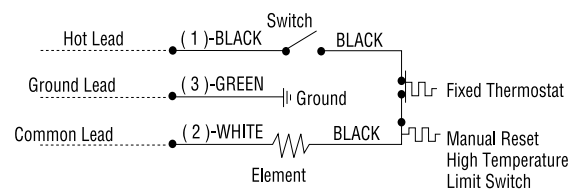
Dotted lines are wired by customer



### PILOT RELIGHT



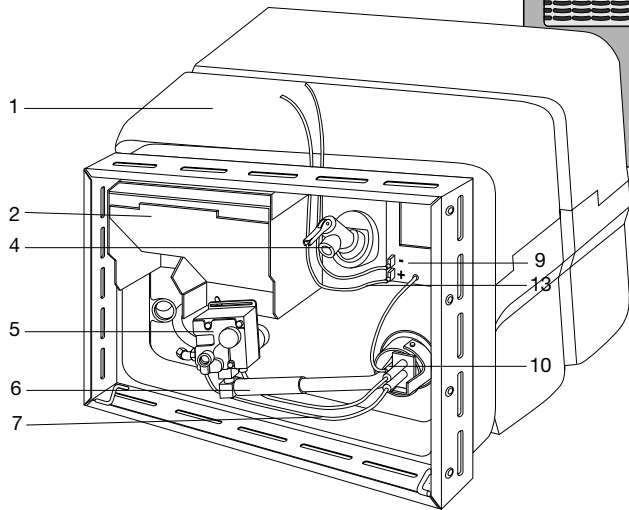
### 110V ELECTRIC/GAS PILOT ONLY



## PART IDENTIFICATION / IDENTIFICATION DES PIÈCES

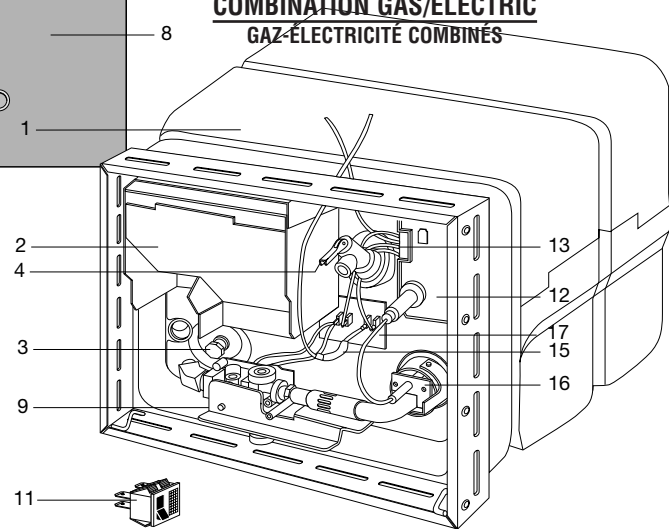
### PILOT IGNITION / PILOT RELIGHT

ALLUMAGE DE VEILLEUSE /  
RALLUMAGE DE VEILLEUSE



### SPARK IGNITION / HEAT EXCHANGE

ALLUMAGE PAR ÉTINCELLES /  
ÉCHANGE DE CHALEUR GAZ-  
COMBINATION GAZ/ELECTRIC  
GAZ-ÉLECTRICITÉ COMBINÉS



ITEM REFERENCE	6 GALLON 22 LITRES	10 GALLON 38 LITRES	PILOT IGNITION	ALLUMAGE DE VEILLEUSE
1	x	x	*Tank	Réservoir
2	90960	90960	Flue Box Assembly	Boîtier du conduit
3	91857	91857	Drain Plug (shown on spark ignition)	Bouchon de vidange (Cf. allumage électronique)
4	91604 90028	91604 90028	1/2" NPT Pressure-Temp. Relief Valve 3/4" NPT Pressure-Temp. Relief Valve	Soupape de décharge de type Soupape de décharge
5	91601	91601	Thermostat	Thermostat
6	92615	93221	Main Burner	Brûleur principal
7	91603	91603	Pilot Assembly	Veilleuse
8	✓	✓	Exterior Access Door	Trappe d'accès extérieur
			PILOT RELIGHT	RALLUMAGE DE VEILLEUSE
9	93801	93801	Spark Module	Module d'allumage
10	93804	93804	Electrode Assembly	Électrode
13	93803	93803	Wiring Harness	Faisceau électrique
			SPARK IGNITION	ALLUMAGE PAR ÉTINCELLE
1	x	x	*Tank	Réservoir
2	90960	90960	Flue Box Assembly	Boîtier du conduit
3	91857	91857	Drain Plug	Bouchon de vidange
4	91604	91604	Pressure-Temperature Relief Valve	Soupape de décharge de type
9	93870	93870	Solenoid Valve	Électrovanne
11	91959	91959	Black on-Off Switch	Interrupteur Marche/Arrêt noir
	91859	91859	White On-Off Switch	Interrupteur Marche/Arrêt blanc
12	93851	93851	Circuit Board	Circuit imprimé
13	93191	93191	Wiring Harness	Faisceau électrique
15	93866	93866	Thermal Cut Off	Coupure thermique
16	93868	93868	Spark Probe	Détecteur d'étincelle
17	91447	91447	Thermostat/ECO	Thermostat/ECO
			HEAT EXCHANGE	ÉCHANGE DE CHALEUR
1	x	x	*Tank	Réservoir
			COMBINATION GAS/ELECTRIC	GAZ - ÉLECTRICITÉ COMBINÉS
1	x	x	*Tank	Réservoir
NS	92249	92249	Heating Element & Gasket	Élément de chauffe et joint
NS	93849	93849	Relay	Relais

\* All tanks includes styrofoam jacket = Tous les réservoirs comprennent une chemise de polystyrène.  
 x Order by model = Commander selon le modèle  
 ✓ Order by color = Commander selon la couleur



## ATWOOD WATER HEATER LIMITED WARRANTY

Atwood Mobile Products warrants to the original owner and subject to the below mentioned conditions, that this product will be free of defects in material or workmanship for a period of two years from the original date of purchase. Atwood's liability hereunder is limited to the replacement of the product, repair of the product, or replacement of the product with a reconditioned product at the discretion of the manufacturer. This warranty is void if the product has been damaged by accident, unreasonable use, neglect, tampering or other causes not arising from defects in material workmanship. This warranty extends to the original owner of the product only and is subject to the following conditions:

1. For a period of two years from the date of purchase, Atwood will replace the complete water heater if the inner tank leaks due to corrosion. This warranty includes reasonable labor charges required to replace the complete water heater.
2. For two years from the date of purchase, Atwood will repair or replace any part defective in material or workmanship. This warranty includes reasonable labor charges, required to remove and replace the part. Service calls to customer's location are not considered part of these charges and are, therefore, the responsibility of the owner.
3. This warranty does not cover the following items classified as normal maintenance:
  - a. adjustment of gas pressure
  - b. cleaning or replacement of burner orifice
  - c. cleaning or adjustment of burner tube
  - d. cleaning or adjustment of flue
  - e. cleaning or adjustment of pilot and thermocouple
  - f. adjustment of pressure-temperature relief valve
  - g. replacement of thermal cut-off device.
4. **In the event of a warranty claim, the owner must contact, in advance, either an authorized Atwood Service Center or the Atwood Service Department. Warranty claim service must be**

performed at an authorized Atwood Service Center (a list will be provided at no charge) or as approved by the Consumer Service Department, Atwood Mobile Products, 1120 North Main St., Elkhart, IN 46514 USA. Phone: (574-262-2655).

5. Return parts (or water heater) must be shipped to Atwood "Prepaid". Credit for shipping costs will be included with the warranty claim. The defective parts (or water heater) become the property of Atwood Mobile Products and must be returned to the Consumer Service Department, Atwood Mobile Products, 6320 Kelly Willis Road, Greenbrier, TN 37073 USA.
6. This warranty applies only if the unit is installed according to the installation instructions provided and complies with local and state codes.
7. The warranty period on replacement parts (or water heater) is the unused portion of the original warranty period or ninety (90) days, whichever is greater.
8. Damage or failure resulting from misuse (including failure to seek proper repair service), misapplication, alterations, water damage, or freezing are the owner's responsibility.
9. Atwood does not assume responsibility for any loss of use of vehicle, loss of time, inconvenience, expense for gasoline, telephone, travel, lodging, loss or damage to personal property or revenues. Some states do not allow the exclusion or limitation of incidental or consequential damages, so the above limitations or exclusions may not apply to you.
10. Any implied warranties are limited to two (2) years. Some states do not allow limitations on how long an implied warranty lasts, so the above limitation may not apply to you. This warranty gives you specific legal rights and you may also have other rights which vary from state to state.
11. Replacement parts (components or tanks) purchased outside of the original water heater warranty carry a 90 day warranty. This includes the part at no charge and reasonable labor charges to replace it.

This Atwood heater is designed for use in recreational vehicles for the purpose of heating water as stated in the "data plate" attached to the water heater. Any other use, unless authorized in writing by the Atwood Engineering Department, voids this warranty.

## GARANTIE LIMITÉE POUR CHAUFFE-EAU ATWOOD

Atwood Mobile Products garantit ce produit à l'acheteur initial, suivant les termes stipulés ci-dessous, contre tout défaut de matériel ou de fabrication, pendant une période de deux ans à compter de la date d'achat.

La responsabilité d'Atwood décrite ci-dessous se limite au remplacement ou à la réparation du produit par un produit reconditionné, à la discrétion du fabricant. La présente garantie est annulée si le produit est endommagé du fait d'un accident, d'une utilisation non raisonnable, d'une négligence, d'une modification du produit ou de tout autre cause non liée au matériau ou à un vice de fabrication. La présente garantie ne s'applique qu'à l'acheteur initial et elle est soumise aux conditions suivantes :

1. Pendant une période de deux ans, à compter de la date d'achat, Atwood remplacera tout le chauffe-eau si le réservoir interne fuit pour des raisons de corrosion. La présente garantie couvre les frais raisonnables de main-d'œuvre nécessaires au remplacement du chauffe-eau.
2. Pendant deux ans, à compter de la date d'achat, Atwood réparera ou remplacera toute pièce trouvée défectueuse en raison du matériau ou d'un vice de fabrication. La présente garantie couvre les frais raisonnables de main-d'œuvre nécessaires au retrait et au remplacement de la pièce. Les visites pour l'entretien chez le client ne sont pas prises en charge et restent donc la responsabilité du client.
3. La présente garantie ne couvre pas les articles suivants, qui sont considérés comme faisant partie de l'entretien régulier :
  - a. Réglage de la pression du gaz
  - b. nettoyage ou remplacement de l'orifice du brûleur.
  - c. nettoyage ou réglage du tube du brûleur
  - d. nettoyage ou réglage du conduit
  - e. nettoyage ou réglage de la veilleuse et du thermocouple
  - f. réglage de la soupape de décharge de type pression-température
  - g. remplacement du dispositif de coupure thermique
4. Dans l'éventualité d'une réclamation de garantie, l'acheteur doit contacter, à l'avance, soit un centre de service Atwood agréé, soit le Service à la clientèle Atwood. La réclamation de garantie doit être exécutée dans un centre de service Atwood agréé (une liste vous sera fournie gratuitement) ou selon les procédures reconnues par le Service clientèle Atwood (Consumer Service Department) Atwood Mobile Products, 1120 North Main St., Elkhart IN 46514 États-Unis. Téléphone : (574) 262-2655.

5. Les pièces retournées (ou le chauffe-eau) doivent être expédiées à Atwood, tout port payé. Un avoir pour les frais d'expédition sera compris avec la réclamation de garantie. Les pièces défectueuses (ou le chauffe-eau) deviennent la propriété d'Atwood Mobile Products et doivent être retournées à Consumer Service Department, Atwood Mobile Products, 6320 Kelly Willis Road, Greenbrier, TN 37073 États-Unis.
6. La présente garantie s'applique uniquement si l'unité est installée selon les consignes d'installation fournies, en conformité avec les codes locaux et nationaux.
7. La période de garantie pour les pièces de remplacement (ou le chauffe-eau) est la période inutilisée de la période de garantie initiale.
8. Tout dommage ou toute déficience résultant d'une mauvaise utilisation (y compris le manquement à faire effectuer les réparations nécessaires), d'une mauvaise mise en application, de modifications, de dommages causés par l'eau ou par le gel relèvent de la responsabilité de l'acheteur.
9. Atwood n'est aucunement responsable de l'impossibilité d'utiliser le véhicule, de toute perte de temps, de tout dérangement et de tous frais d'essence, de téléphone, de déplacement, de logement, de perte ou de dommages aux biens personnels ou de perte de revenus. Certains États ne permettent pas l'exclusion ou la limitation des dommages accessoires ou indirects ; il est donc possible que les limitations ou exclusions ci-dessus ne s'appliquent pas à votre cas.
10. Toute garantie implicite est limitée à une période de deux (2) ans. Certains États ne permettent pas de limiter la période d'une garantie implicite, donc il est possible que la limite ci-dessus ne vous concerne pas. La présente garantie vous accorde des droits légaux particuliers mais il est également possible que vous ayez certains droits supplémentaires, selon les États.
11. Les pièces de remplacement (composantes ou réservoirs) achetées en dehors de la garantie initiale du chauffe-eau sont couvertes par une garantie de 90 jours ; Ceci comprend la pièce sans frais et les frais raisonnables de main-d'œuvre découlant du remplacement.

Ce chauffe-eau Atwood est conçu pour utilisation en véhicule de plaisance et dans le but de chauffer l'eau comme le stipule la plaque signalétique fixée au chauffe-eau. Toute autre utilisation, à moins d'une autorisation écrite du Service technique Atwood, annule la présente garantie.