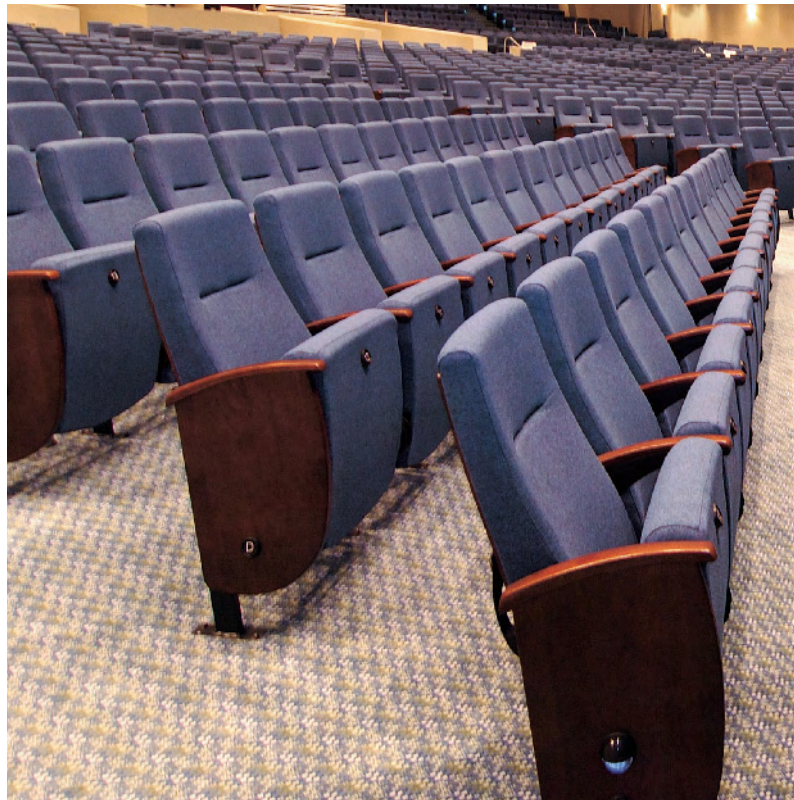




# AUDITORIUM SEATING



*for the way you worship*

**SAUDER®**

*Leading the way*

# CLARITY™

*Auditorium seating designed specifically for the worship environment with Sauder expertise.*

*Different styles of worship call for different styles of seating. Many congregations find a need for seating other than traditional pews and chairs for their services and special events.*

*To answer this need with auditorium seating designed specifically for the worship market, Sauder has added Clarity™ to its comprehensive line of worship furniture. Clarity Auditorium Seating was developed with Sauder's SmartDesign™ technology, offering unparalleled comfort, remarkably quiet operation, and lowest lifetime ownership cost, along with the quality and craftsmanship customers have come to expect from Sauder.*



*Clarity Auditorium Seating, Inset photos: Wood Back, Fabric Back, and Polymer Back*

*Sauder Worship makes more worship furniture than anyone else in the world.*

We're well known for seating in worship environments throughout America. We apply the same skills and principles that earned us our highly valued reputation in the pew and chair business to auditorium seating for worship spaces.

And our partner for Clarity's development and production also lends its over 35 years of significant experience and expertise in public seating to the unique demands of worship facilities.

With Clarity by Sauder, you'll experience:

- *elegant simplicity*, a hallmark of great design
- *unparalleled comfort*, the contoured shape with optimal lumbar support has over 4" of foam at critical pressure points
- *remarkably quiet operation*, based on the simplicity and reliability of gravity
- *the lowest lifetime ownership cost*, with easily renewable upholstery, minimum fasteners to loosen over time, and no moving seat-lift mechanism parts to wear out
- *intimate project management*, which begins with your local sales representative, and includes your assigned in-house CAD floor plan designer and Project Coordinator
- *on-time delivery and installation (we stake our reputation on it) everyday.*

**SAUDER®**



## ACCESSORIES & OPTIONS



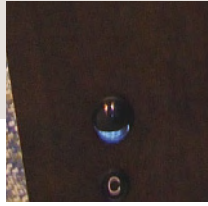
*Card/Pencil Holder*



*Book Holder with optional Communion Cup Holder*



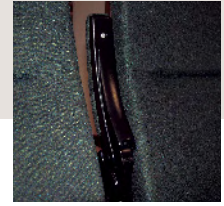
*Drink Holder*



*Row and Seat Identification, Row Identification Lighting*



*Armless Cap*



*Lift Up Arm*

## AISLE PANELS



*Large Wood Panel*



*Standard & custom symbols available*



*Medium Wood Panel*



*Small Wood Panel*



*Large Upholstered Panel*



*Medium Upholstered Panel*



*Small Upholstered Panel*

## PEW ENDS



*Pew End 302-1370*



*Pew End 302-4785*

Sauder's standard pew ends are compatible with Clarity seating. Pew ends allow a wide variety of ways to customize your worship environment to reflect the image of traditional church interiors.

## Options & Accessories

### *Aisle Panels*

Three styles available in both solid wood and upholstered versions.

### *Armrest Caps*

Available in polymer, wood, and upholstered versions.

### *Arms*

Stationary, lift-up arms, or armless configurations available at purchase or can be added at a later date.

### *Armless Configurations*

### *Back Outer Panels*

Available in upholstered, wood veneer, and polymer versions.

### *Row & Seat Identification*

### *Row Identification Lighting*

### *Drink Holders*

### *Book Holders*

### *Communion Cup Holders*

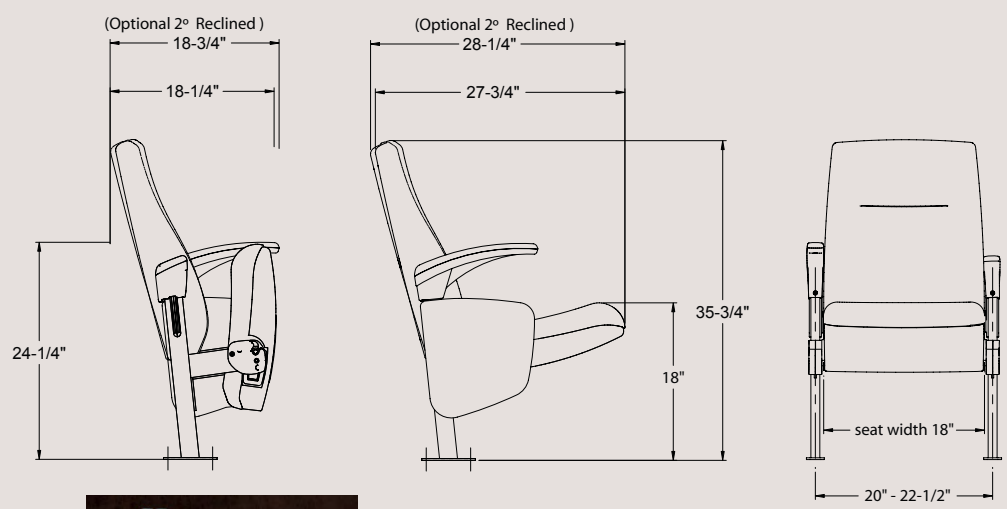
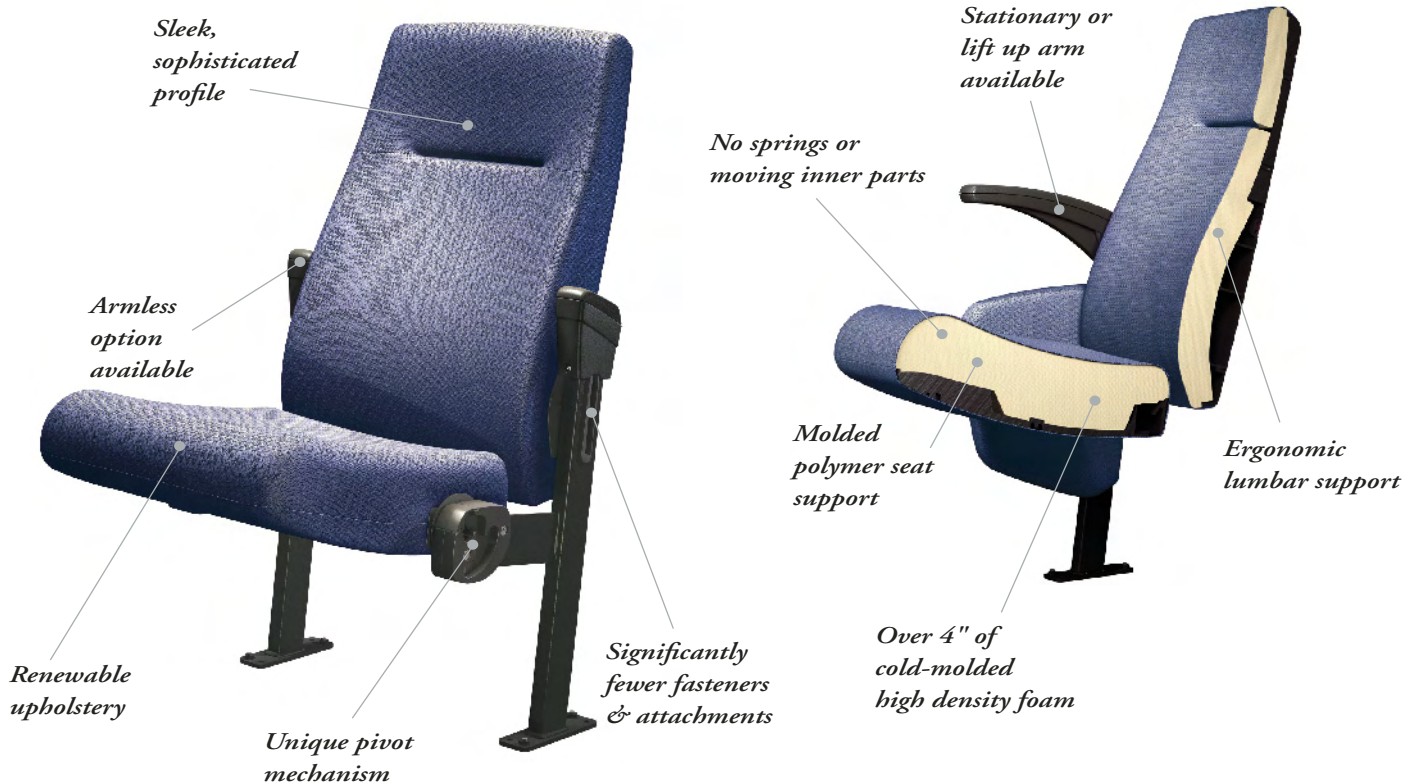
### *Card/Pencil Holders*

### *Removable Anchor System*

### *Wood options*

Available in your choice of oak, maple, or cherry, and in any of Sauder's standard finishes. Custom color matches are also available.

*Metal and polymer components*, standard in black, are also available in beige and light gray colors. (Minimum order quantities and up-charges apply).



***Slim Profile***  
 Clarity's gravity-lift seats create the slimmest (18½") profile in the up position, allowing for more standing and walking space without compromising comfort.

***Variable Seat Spacing***  
 The ability to adjust the seat width spacing maximizes capacity and comfort. Available 20" - 22½."





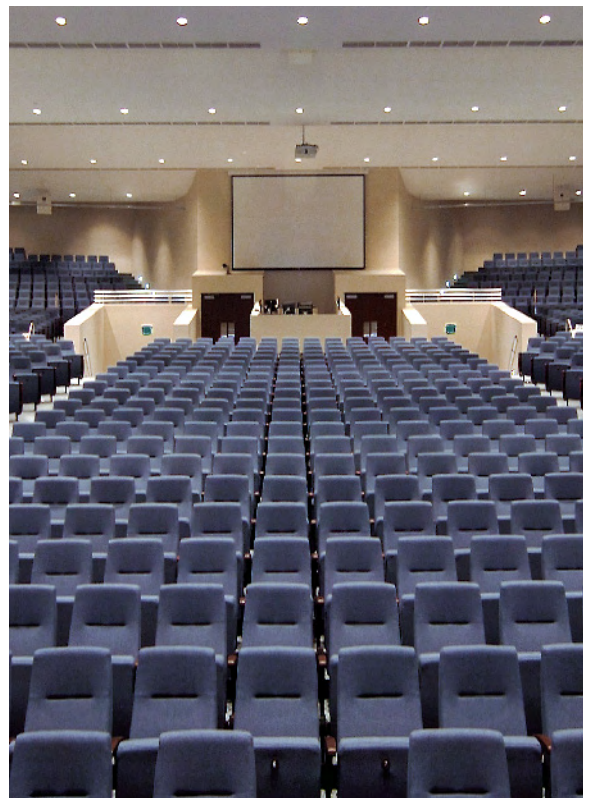
Grace Outreach Center, Plano, TX Main floor: Clarity Auditorium Seating, Balcony: Sauder Definity® Pews

### *The Sauder Advantage*

Because we make seating for all areas of your worship environment, our additional advantage is the ability to combine styles of worship seating. Whether your choice is pews in the balcony, auditorium seating on the main floor or flexible seating in the stage area, Sauder offers seating to meet your every need.



Dayspring Wesleyan Church, Marion, OH



Boca Raton Community Church, Boca Raton, FL

*At Sauder, we've been helping communities of every faith  
achieve their visions of worshipful interiors for more than 70 years.  
We've worked closely with designers, architects, committees,  
and clergy, listening to their hopes, their wishes,  
their dreams and their fears.*

*And we have done our best to respond, building a legacy of which  
we, as a company, are very proud.*

*Today, there are more than twenty-five thousand  
congregations nationwide worshipping on Sauder seating.*

*That so many congregations have trusted us,  
referred us to friends, family, and associates, and have returned  
to us as customers again and again, that fact more than any other,  
testifies to the value of the principles of stewardship  
and service that all of us at Sauder Manufacturing  
work hard to live up to every day.*

Sauder Worship Furniture

930 W. Barre Road  
Archbold, Ohio 43502-0230

Phone: 419-446-9384  
Fax: 419-446-3697  
Toll Free: 800-537-1530  
(Canada and USA)

E-mail Address:  
sales@sauderworship.com

[www.sauderworship.com](http://www.sauderworship.com)



**SAUDER®**

*Leading the way*