



AUTOMATIC LUBRICATION EQUIPMENT PRODUCT GUIDE

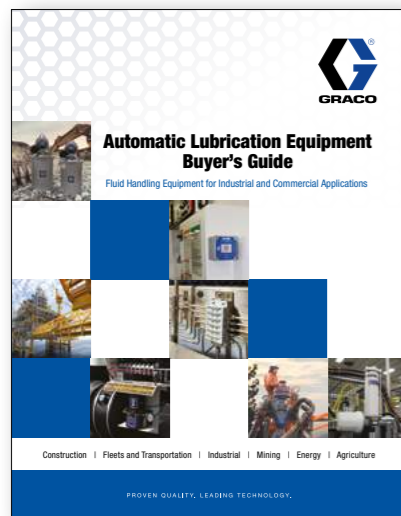
MINING, CONSTRUCTION & INDUSTRIAL APPLICATIONS

AUSTRALIA & NEW ZEALAND



PROVEN QUALITY. LEADING TECHNOLOGY.

Contents



REFER TO THE ALE BUYER'S GUIDE ([340821](#)) FOR COMPLETE RANGE

FOR MORE INFORMATION ON GRACO PRODUCTS AND MANUALS PLEASE VISIT
WWW.GRACO.COM OR CONTACT CUSTOMER SERVICE 03 9468 8500 – CSAUSTRALIA@GRACO.COM



AUTOMATIC LUBRICATION

| | |
|------------------------------------|--|
| SYSTEM SELECTOR | |
| YELLOW IRON KIT SELECTOR | |



PUMPS

| | |
|-----------------------------------------------------|--|
| G-SERIES PUMP COMPARISON GUIDE | |
| G-MINI ELECTRIC LUBRICATION PUMPS | |
| G1 ELECTRIC LUBRICATION PUMPS | |
| G3 ELECTRIC LUBRICATION PUMPS | |
| COMPACT DYNA-STAR (CDS) | |
| ELECTRIC DYNA-STAR (EDS) | |
| DYNA-STAR 10:1, 5:1 AND FIREBALL 300 50:1 | |
| ELECTRIC GREASE JOCKEY PUMP | |



METERING

| | |
|-------------------------------------------------------------|--|
| GL-1 INJECTORS | |
| SINGLE LINE PARALLEL GL-32 AND GL 42-43 INJECTORS | |
| GL-11 INJECTORS | |
| COMPACT SERIES PROGRESSIVE VALVES (CSP) | |
| TRABON MSP DIVIDER VALVES (MSP) | |



CONTROLLERS

| | |
|----------------------------------|--|
| GLC 2000 | |
| GLC-X SMART CONTROLLER | |
| GLC-X AUTO-LUB APP | |

SYSTEM SELECTOR

LUBRICATION PUMPS

G-MINI®



G3®



COMPACT DYNA-STAR®



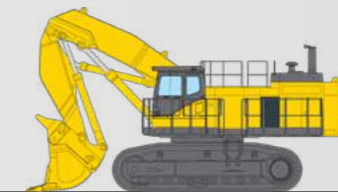
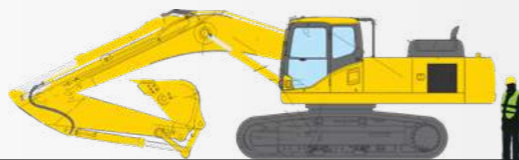
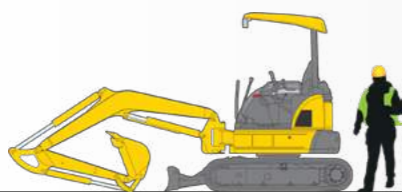
ELECTRIC DYNA-STAR®



WHEEL LOADERS



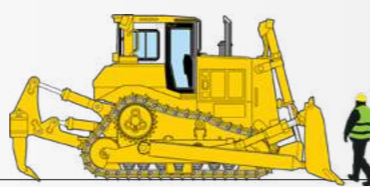
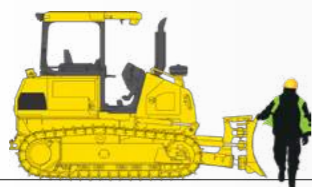
EXCAVATORS



HAUL TRUCKS

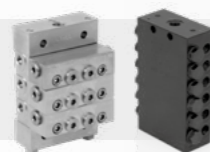


DOZERS

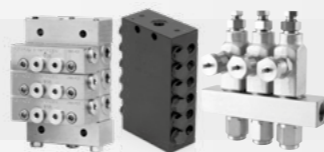


RECOMMENDED METERING

SERIES PROGRESSIVE



SERIES PROGRESSIVE / INJECTORS



INJECTORS



INJECTORS



RECOMMENDED CONTROLLERS

INTEGRATED OR GLC 2200 / GLC 4400 / GLC X



INTEGRATED OR GLC 2200 / GLC 4400 / GLC X



GLC 2200 / GLC 4400 / GLC X



GLC 2200 / GLC 4400 / GLC X



YELLOW IRON KIT SELECTOR

Graco mobile equipment kits provide the latest technology from Graco, including the G-Series pumps, solid-state proximity switches, CSP divider valves, and hoses and fittings. Each kit will include all of the components necessary for model-specific customisations.

In order to eliminate system design and streamline the sales process, we have created a quick-to-spec, quick-to-quote and quick-to-sell solution. Scan the QR code below or visit www.graco.com/offroadselector to find an automatic lubrication kit for your piece of heavy equipment.



G-SERIES PUMP COMPARISON GUIDE



G-Mini Pump



G1 Pump



G3 Pump

| | | | |
|---------------------------------------|--------------------------------------------------------------------------------------------------------------------------------------------------------------------------------------------------------------------------------------------------------------------------------------------------------------------------------------------------------------------------------------------------------------------------------------------------------------------------------------------------------------------------------------------------------------------------------------------------------------------------------------------------------------------------------------------------------------------|-------------------------------------------------------------------------------------------------------------------------------------------------------------------------------------------------------------------------------------------------------|---------------------------------------------------------------------------------------------------------------------------------------------------------------------------------------------------------------------------------------------------------------------------------------------------------------------------------------------------------------------------------------------------------------------------------------------------------------------------------------------------------------------------------------------------------------------------------------------------------------------------------------------------------------------------------------------------------------|
| Reservoir | 0.5 and 1 L Include stir paddle and follower plate | 2, 4 and 8 L Include stir paddle; follower plate available | 2, 4, 8, 12 and 16 L Include stir paddle; follower plate available |
| Fluids | Grease up to NLGI #2 | Oil, Grease up to NLGI #2 | Oil, Grease up to NLGI #2 |
| Power Source | 12 VDC or 24 VDC | 90-230 VAC, 12 VDC or 24 VDC | 90-230 VAC, 12 VDC or 24 VDC |
| Control | Standard and Controller | Standard and Plus | Standard, Pro, SP, Max |
| Control Features | <p>One controller with 2 options:</p> <p>Time-Based:</p> <ul style="list-style-type: none"> • 1 to 30 min on time in 1-min increments • 15 min to 99 hr off time in 15-min increments up to 1 hr and then 1-hr increments from 1 to 99 hr • Manual run • Pin code • Low-level alert and alarm shutdown • Pre-lube <p>Cycle-Based:</p> <ul style="list-style-type: none"> • 1 to 99 cycles • 15 min to 99 hr off time in 15-min increments up to 1 hr and then 1-hr increments from 1 to 99 hr • Manual run • Pin code • Low-level alert and alarm shutdown • Pre-lube | <p>Plus controller:</p> <ul style="list-style-type: none"> • 1 to 30 min on time in 1-min increments • 1 to 24 hr off time in 1-hr increments • Manual run • Pin code • Low-level shut down | <p>Pro and Max controllers:</p> <ul style="list-style-type: none"> • 1 sec to 30 min on time • 1 min to 99 hr 59 min off time • Manual run • Pin code • Low-level alert and alarm shutdown • Machine count • Pre-lube • 1 to 3 monitoring inputs for cycle or pressure* • DMS* • *Max controller only <p>SP controller:</p> <ul style="list-style-type: none"> • 1 to 99 cycles • 15 min to 8 hr off time in 15-min increments • 1 input for cycle • Manual run • Pin code • Low-level alert and alarm shutdown • Pre-lube |
| Power Cord | CPC; sold separately | DIN or CPC; sold separately | DIN or CPC; included |
| Pump Element | 2 maximum; 1 factory-installed | 1 maximum; 1 factory-installed | 3 maximum; 1 factory-installed |
| Output Per Pump | 0.18 in3 (3 cm3) / min | 0.25 in3 (4 cm3) / min | 0.25 in3 (4 cm3) / min |
| Maximum Working Pressure | 4,100 psi (28 MPa, 280 bar) | 5,100 psi (35 MPa, 352 bar) | 5,100 psi (35 MPa, 352 bar) |
| Metering Device | Series Progressive | Series Progressive | Series Progressive or Single Line Parallel (with addition of a G3 Vent Valve) |
| Monitoring | Controller can monitor 1 zone for cycles | None | SP controller can monitor 1 sensor for cycles; Max controller can monitor up to 3 independent sensors for cycles or pressure |
| Proximity or Cycle Switch Type | PNP | Pump has no cycle input | PNP or NPN |
| Electric Motor | Inline gear box | Load minimising drive with offset cam design | Load minimising drive with offset cam design |
| Accessories | Uses most G3 accessories including pressure relief, power cables, high flow fill stud, 5-gallon fill pump | Uses most G3 accessories including pressure relief, power cables, high-flow fill stud, 5-gallon fill pump | See G3 Accessories in ALE Buyer's Guide https://www.graco.com/content/dam/graco/led/literature/catalogs/340821/340821EN-AE.pdf |

G-MINI ELECTRIC LUBRICATION PUMPS

Small size. Big value. Huge impact.

Make the most of your space, budget and machines. The new full-featured G-Mini offers reliable lubrication in a small footprint to fit more types of machines. Use it to simplify everyday maintenance, extend life cycles and optimise uptime. It's rugged and tough, perfect for handling the 24/7 rigors of any job, big or small. Best of all, it comes with a modest price tag – boosting your productivity and profitability.

Follow Plate and Stir Paddle

This unique combination combats oil separation while ensuring the pump element "loading chamber" is always full.

Patent-Pending Heater Option

Built-in heater option automatically turns on at 23°F (-5°C), allowing NLGI #2 grease to pump down to -40°F (-40°C).

M12 Input

M12 cycle or proximity switch input standard on all pumps with a controller.

5-Wire CPC Power Cable

Multifunction cable supplies power to the pump, pairs with a remote manual run button, and provides low level or cycle fault output.



Multiple Reservoir Options

Comes in both 0.5 liter and 1 liter sizes.

Up to Two Pump Elements

0.18 in³/min (3 cm³/min)
4,100 psi (280 bar)

Optional Controller

NO CONTROLLER: Pair with either an external controller or a PLC.
CONTROLLER: Easy-to-program controller can be utilised for both time-based and cycle-based systems and provides low-level alert and alarm.

Rugged Construction

Designed to withstand the harshest of environments; IP69K rated.

G-MINI ELECTRIC LUBRICATION PUMPS

TECHNICAL SPECIFICATIONS

| | |
|-----------------------|----------------------------------------------------|
| Power source | 12 VDC or 24 VDC |
| Fluids handled | Grease NLGI 000 to #2 |
| System | Pump to point or series progressive |
| Operating temperature | -40°F to 158°F (-40°C to 70°C) |
| Reservoir size | 0.5 L / 1 L |
| Control option | No control, controller (time or cycle) |
| Pump elements | Up to 2 |
| Output pressure | 4,100 psi (280 bar) |
| Pump output | 0.18 in ³ /min (3 cm ³ /min) |
| Pump outlet | 1/4-18 NPSF, mates with 1/4-18 NPT male fittings |
| Protection grade | IP69K |
| Instruction manual | 3A6714 |

ORDERING INFORMATION

G-Mini Pumps
G-Mini pumps **do not** come with power cables. See Accessories below for power cable options.

| Controller Option | Voltage | Reservoir Size | Heater | Part Number | Part Description |
|-------------------|---------|----------------|--------|-------------|---------------------------------------------------------|
| No Controller | 12V | 0.5L | No | 25R809 | 0.5 Liter, 12 Volt G-Mini Pump |
| | | 1L | No | 25R802 | 1 Liter, 12 Volt G-Mini Pump |
| | 24V | 0.5L | No | 25R807 | 0.5 Liter, 24 Volt G-Mini Pump |
| | | 1L | No | 25R800 | 1 Liter, 24 Volt G-Mini Pump |
| Controller | 12V | 0.5L | No | 25R810 | 0.5 Liter, 12 Volt G-Mini Pump with Controller |
| | | | Yes | 25R803 | 1 Liter, 12 Volt G-Mini Pump with Controller and Heater |
| | 24V | 1L | No | 25R808 | 0.5 Liter, 24 Volt G-Mini Pump with Controller |
| | | | Yes | 25R801 | 1 Liter, 24 Volt G-Mini Pump with Controller and Heater |
| | | | Yes | 25R804 | 1 Liter, 24 Volt G-Mini Pump with Controller and Heater |

Accessories

| | |
|---------|-------------------------------------------------------------------------------------------------------------------------------|
| 127783* | 3-Wire CPC Power Cable |
| 127780* | 5-Wire CPC Power Cable |
| 25C981 | 12V Manual Run Button (5-Wire CPC power cable required) |
| 25C982 | 24V Manual Run Button (5-Wire CPC power cable required) |
| 26C825 | Direct Mount CSP Bracket (allows for drop-in replacement of competition) |
| 26C826 | Universal Mounting Bracket (allows for drop-in replacement of competition) |
| 17L879 | Graco CSP Solid State Proximity Switch (DC PNP) |
| 17R703 | 1 ft Proximity Switch Cable, M12 female straight to M12 male straight cable |
| 26A910 | 4,000 PSI Pressure Relief Kit (1/4 NPT to 1/8 NPT reducer bushing, 1/8 NPT branch T-fitting, 4,000 PSI Pressure Relief Valve) |
| 25N827 | Pump Element Kit (add a second pump element or replace existing) |

*G-Mini pumps do not come with power cables. Power cables needed for installation.

TYPICAL APPLICATIONS

- Wind energy
- Industrial
- Off-road mobile equipment
- On-road mobile equipment



25R802



25R803

G1™ ELECTRIC LUBRICATION PUMPS



G1 Plus

Built-in controller with selectable pump on/pump off timer comes with local manual run and password protection. Optional low level sensing and shut-down available, as well as remote manual run when adding the 5 wire CPC cable and remote push button accessories.

| Application | Voltage | Reservoir Size | | | Wiper Arm | Follower Plate | Remote Manual Run/Monitor Light* | Low Level | Power Connection |
|-------------|---------|----------------|---------|---------|-----------|----------------|----------------------------------|-----------|------------------|
| | | 2 liter | 4 liter | 8 liter | | | | | |
| Grease | 12 VDC | 94G003 | 94G004 | 94G005 | • | | • | • | 5 Wire CPC |
| | | 94G015 | 94G016 | 94G017 | • | | • | • | 5 Wire CPC |
| | 24 VDC | 94G024 | 94G025 | 94G026 | • | | | | DIN |
| | | 94G027 | 94G028 | 94G029 | • | | | • | DIN |

*Remote Manual Run and External Low Level indication require a 5 wire cable with CPC connector and a Remote Manual Run/Monitoring Light Device to provide external low level indication. Choose part number 571030 for 12 VDC pumps or 571031 for 24 VDC pumps.

G1 Plus Power Cables (sold separately)

| Part Number | Description | Length |
|-------------|---------------------------|---------------|
| 127783 | 3 wire with CPC connector | 15 ft (4.6 m) |
| 127780 | 5 wire with CPC connector | 15 ft (4.6 m) |
| 127781 | 5 wire with CPC connector | 20 ft (6.1 m) |
| 127782 | 5 wire with CPC connector | 30 ft (9.1 m) |
| 16U790 | DIN connector | 15 ft (4.6 m) |



G3™ ELECTRIC LUBRICATION PUMPS

Versatile Design Helps Solve Today's Lubrication Challenges

Temperature changes, changing grease types and challenging installation requirements are no problem for the G3 electric lubrication pump. With its flexible design, including adjustable pump elements and an ability to work with both injector-based and series progressive systems, G3 is a rugged, cost-effective pump designed to serve multiple markets and applications.



G3™ ELECTRIC LUBRICATION PUMPS

If You're Not Using Graco G3™ Pumps, You're Not Maximising Your Profits.



Two Reservoir Types

Stirring paddle with wiper arm to keep material from separating. Follower plate available for extreme angle installations.

Power Choices

Connect to DC (12 or 24V) and AC (90-240V) power sources with CPC or DIN-style connectors for easy, no hassle installations.

Vent Valve Output

Combine Max controller with a vent valve for injector-based systems.

Four Controller Options

Choose from Standard, Pro, SP and Max controller options – buy only what you need for your application.

Multiple Reservoir Sizes

Choice of 2, 4, 8, 12 or 16 liter U.V. resistant, high-impact reservoirs for oil and grease to meet the needs of your equipment.

Three Pump Elements

G3 comes standard with one adjustable pump element installed – add up to two more for higher output on large projects.

Multiple Cycle and Pressure Inputs

Mix and match up to three cycle and pressure switches for custom installations and feedback.

Machine Count Input

Machine count input to manage equipment with unpredictable lubrication requirements.



Data Management System (DMS)

- Simple data transfer to your PC via USB flash drive for further analysis using Excel® or Notepad®

- Provides performance history for lube system events, such as cycle detection, error logs and allows a quick check of lubrication performance to meet your system requirements
- Preferred lube cycle program can be stored and transferred to other G3 pumps in your fleet for quick and accurate repeatability
- Provides you the comfort and security in knowing your pump is being properly maintained and your lube system is protecting your valuable asset



Auto-Fill Shutoff (AFSO)

- Available on G3 Standard, Pro and Max
- Eliminates Over- or Under-Filling

- Completely fill the reservoir every time while avoiding costly spills
- Does not require power to operate
- Complies with stringent mining regulations where a system must be powered down during fluid refilling
- Compatible with fast-fill-equipped lubrication trucks
- Reservoir Full Visual Indication
- Valve Plate activates a poppet valve, which cuts off grease flow into the reservoir

G3™ ELECTRIC LUBRICATION PUMPS

Standard, Pro, SP and Max

Choose the level of control you need for your series progressive or injector based applications.



G3 Standard

- No internal controller – use with separate or existing machine control for a low cost solution
- Capable of sending a low level signal to your external controller or PLC



G3 Pro

- Built-in controller with selectable pump on/pump off timer
- Low level indicator provides low warning and shut-down alarm
- Manual run initiates lube cycle on-demand (remote option also available)
- Password protection safeguards settings
- Pre-lube function can initiate lube cycle on start-up



G3 SP

- Simple programming and valuable system feedback
- Low level indicator provides low warning and shut-down alarm
- Only programming requirements are number of cycles and off time between lube events
- Manual run initiates lube cycle on-demand (remote option also available)
- Password protection safeguards settings
- Pre-lube function can initiate lube cycle on start-up



G3 Max

- Built-in controller with selectable pump on/pump off timer
- Low level indicator provides low warning and shut-down alarm
- Manual run initiates lube cycle on-demand (remote option also available)
- Password protection safeguards
- Pre-lube function can initiate lube cycle on start-up
- Up to three pressure or cycle switch inputs to ensure proper lubrication cycles
- Mix/match cycle and pressure switches for custom installations and feedback
- Machine count input – ideally suited for inconsistently used equipment
- Fault indication to external alarms
- Optional Data Management System™ (DMS)

TECHNICAL SPECIFICATIONS

| | |
|-----------------------------------------------|---------------------------------------------------------------------------------------------------------------------------------|
| Maximum Working Pressure | 5,100 psi (352 bar) |
| Power | 12 VDC, 24 VDC, 90-240 VAC |
| Operating Temperature | -40 to 158°F (-40 to 70°C) depending on lubricant used |
| Reservoir Size | 2, 4, 8, 12, or 16 Liter |
| Adjustable Pump Output Per Element Per Minute | 0.12 in ³ , 0.18 in ³ , 0.25 in ³ (2 cm ³ , 3 cm ³ , 4 cm ³) |
| Lube Type | Oil or Grease up to NLGI #2 |
| Certifications/Ratings | CE, ETL*, IP69K (*Conforms to UL 73, certified to CSA 22.2 No. 68-09) |
| Instruction manuals | Standard - 332291 / Pro - 332298 SP - 3A4676 / Max - 332305 |

Check Out the Full-featured G3 Max



- 1 Easy-to-read LED display
- 2 Clearly identified pump on/off indication
- 3 Monitoring of up to three independent zones
- 4 Programmable machine count feature
- 5 Alarm signal of lube system shutdown
- 6 Warning signal prior to lube system shutdown
- 7 Low level indication
- 8 Password protected access to control
- 9 Pre-lube capability
- 10 Easy-to-use navigation keys

G3™ ELECTRIC LUBRICATION PUMPS



G3 Standard

Comes standard with no controller for use with separate or existing machine control for a low cost solution. Some models capable of sending a low level signal to your external controller or PLC.

| Application | Grease | Voltage | Reservoir Size | | Wiper Arm | Follower Plate | External Low Level | Power Connection |
|-------------|--------|---------|----------------|---------|-----------|----------------|--------------------|------------------|
| | | | 4 liter | 8 liter | | | | |
| | | 24 VDC | 96G048 | 96G049 | • | | • | CPC |
| | | | 96G184 | 96G189 | • | | • DIN | DIN |



G3 Pro

Built-in controller with selectable pump on/pump off timer comes with local manual run and password protection with pre-lube function to initiate lube cycle on start-up. Optional low level sensing, warning and shut-down alarm available as well as remote manual run.

| Application | Grease | Voltage | Reservoir Size | | M12 Connection for Remote* | Wiper Arm | Low Level | Power Connection |
|-------------|--------|------------|----------------|---------|----------------------------|-----------|-----------|------------------|
| | | | 4 liter | 8 liter | | | | |
| | | 24 VDC | 96G068 | 96G069 | • | • | • | CPC |
| | | | 96G149 | 96G150 | | • | • | 5 Wire CPC** |
| | | 90-240 VAC | 96G139 | 96G140 | | • | | DIN |
| | | | 96G075 | 96G076 | | • | • | DIN |

**G3 Pro pumps with the 5 Wire CPC power connection are compatible with a Remote Manual Run/Monitoring Light Device to provide external low level indication. Choose part number 571030 for 12 VDC pumps or 571031 for 24 VDC pumps.



G3 SP (Series Progressive)

The G3 SP (Series Progressive) combines the robust, proven design of our G-Series pumps with simple programming and valuable system feedback. The only programming requirements are number of cycles and off time between lube events.

| Application | Grease | Voltage | Reservoir Size | | | | Wiper Arm | Low Level | Power Connection |
|-------------|--------|------------|----------------|---------|---------|----------|-----------|-----------|------------------|
| | | | 2 liter | 4 liter | 8 liter | 12 liter | | | |
| | | 12 VDC | 96G221 | 96G222 | - | - | • | • | 5 Wire CPC† |
| | | 24 VDC | 96G223 | 96G224 | 96G225 | 96G226 | • | • | 5 Wire CPC† |
| | | 90-240 VAC | 96G227 | 96G228 | - | - | • | | DIN |

Note: G3 SP pumps for use in series progressive systems only and require proximity switch with M12 connection.

G3™ ELECTRIC LUBRICATION PUMPS



G3 Max (With Data Management)

Built-in controller with selectable pump on/pump off timer has low level warning and shut-down alarm or set up faults to an external alarm. Comes with manual run and password protection with pre-lube function to initiate lube cycle on start-up. Mix and match up to three cycle and pressure switches for custom installations and feedback. Machine count input is ideally suited for inconsistently used equipment. Optional Data Management System™ (DMS) uses a common USB port to quickly configure, store and transfer error log history to Excel® or Notepad® for longer equipment life and performance.

| Application | Grease | Voltage | Reservoir Size | | Number of Cycle/ Pressure Input | Machine Count | Vent Valve Output* | DIN Alarm Output** | M12 Connection for Remote*** | Wiper Arm | Follower Plate | Low Level | Power Connection |
|-------------|--------|------------|----------------|---------|---------------------------------|---------------|--------------------|--------------------|------------------------------|-----------|----------------|-----------|------------------|
| | | | 4 liter | 8 liter | | | | | | | | | |
| | | 12 VDC | 96G099 | 96G100 | 1-2 | • | • | • | • | • | | • | DIN |
| | | 24 VDC | 96G111 | 96G112 | 1-2 | • | • | • | • | • | | • | DIN |
| | | 90-240 VAC | 96G126 | 96G127 | 1-2 | • | • | • | • | • | | • | DIN |

*If not connected, use part number 16T854 to cover the Vent Valve Output and maintain IP69K rating.

**The DIN Alarm Output is a dry contact relay which opens or closes when a fault is detected. This relay acts as a switch but supplies no power. It requires external power to energise the circuit when closed. If not connected, use part number 24P731 to cover the DIN connector and maintain IP69K rating.

***G3 Max pumps with the M12 connection for Remote Manual Run/Monitoring Light use the kit with the connecting cable to provide external fault indication. Choose part number 571032 for 12 VDC pumps or 571033 for 24 VDC and AC pumps.



G3 Pumps with Auto-Fill Shutoff

Versatile line of G3 Pumps (Standard, Pro, and Max) offered with a factory installed Auto-Fill Shutoff (AFSO). The AFSO feature automatically shuts off lubricant flow from a fill pump to the G3 reservoir once the G3 reservoir is full. The G3 AFSO is based on the same design concept as the Auto-Fill Shutoff offered in conjunction with the robust Electric Dyna-Star product line. Eliminate the need to climb up on equipment to refill an empty reservoir by adding Remote Fill Manifold 77X542 to your system at ground level.

G3 AUTO-FILL SHUTOFF FIELD CONVERSION KITS

| | |
|--------|----------------------------------|
| 571286 | G3 AFSO 4L Field Conversion Kit |
| 571287 | G3 AFSO 8L Field Conversion Kit |
| 571288 | G3 AFSO 12L Field Conversion Kit |
| 571289 | G3 AFSO 16L Field Conversion Kit |



571287

G3™ ELECTRIC LUBRICATION PUMPS

ORDERING INFORMATION – ACCESSORIES

| G3 Injector Pump Pre-assembled Modules | | 8 Liter | 16 Liter | | |
|-------------------------------------------------------------------------------------------------------------------------------------------------------------------------------|-------------------------------------------------------------------------------|-----------------------------------------------------------------------------------------------|---------------|----------------------------------------------------------------|--------------------------------------------------------------------------------------|
| G3 Injector Pump Pre-assembled Module: 24V, Max, 5 Pin CPC (Alarm, Manual Run, Low Level in the CPC), 2 Pump Elements, Union Kit, Vent Valve, Pressure Switch, Pressure Gage. | | 17J999 | 17N926 | | |
| G3 and G1 Accessories | | | | | |
| 571041 | G1/G3 Pump element – same adjustability as the pump included with G3 pumps. | | | | |
| G3 Pump Output Union Kits – pump element(s) sold separately. | | | | | |
| Three (3) Pumps | Two (2) Pumps – Left and Right | Description | | | |
| 571026 | 571063 | For systems without a direct-mount vent valve installed on the first pump outlet. | | | |
| 24P295 | 24P296 | For systems with a direct-mount vent valve installed on the first pump outlet. | | | |
| Each G3 includes one pump element when it ships. Add one or two more (p/n 571041) and the appropriate union kit if needed for your application. | | | | | |
| Relief valve options for G-series pumps | | | | | |
| Outlet Thread | | Description | | | |
| NPT | BSPP | | | | |
| 571028* | 571071 | Adjustable return-to-reservoir pressure relief kit – 500 to 3,500 psi (35 to 241 bar). | | | |
| 571058* | 571070 | Pressure relief-to-atmosphere kit – requires one of the following six pressure relief valves: | | | |
| | 563156* | Pressure relief valve – 750 psi (52 bar) | | | |
| | 563157* | Pressure relief valve – 1,000 psi (69 bar) | | | |
| | 563158* | Pressure relief valve – 1,500 psi (103 bar) | | | |
| | 563159* | Pressure relief valve – 2,000 psi (138 bar) | | | |
| | 563160* | Pressure relief valve – 2,500 psi (172 bar) | | | |
| | 563161* | Pressure relief valve – 3,000 psi (207 bar) | | | |
| *Acceptable for use with G-Mini pumps. | | | | | |
| G1/G3 Remote Manual Run/Monitoring Lights | | | | | |
| 12 VDC | 24 VDC* | M12 Cable included? | | | |
| 571032 | 571033 | Yes. 16.5 ft (5 m). Use with pumps that have M12 input for manual run. | | | |
| *24 VDC is also used with AC powered G-Series pumps. | | | | | |
| G1/G3 Mounting Bracket Options | | | | | |
| 125910 | G3 pump mounting L-bracket | | | | |
| G1/G3 Protective Front Cover Kits | | | | | |
| 571036 | Black | | | | |
| 571255 | Clear | | | | |
| G1/G3 Reservoir Filling Accessories | | | | | |
| 77X542 | Remote-fill port manifold with vent – for use with reservoirs that have AF50. | | | | |
| Pressure Switches – use to read pressure in an injector-based system. After injectors dispense, controller or G3 Max will trigger pump shut down and vent. | | | | | |
| Part Number | Voltage and Switch Type | Pressure Setting Range | Porting | Electrical Connector | Notes |
| 24K414 | 10-32 VDC, PNP | set: 290 to 580 PSI (20 to 40 bar) reset: 175 to 5,685 PSI (12 to 392 bar) | 1/4 NPT male | M12 male | Dual pressure setting adjustments. M12 connection makes it easy to wire to a G3 Max. |
| Other wiring accessories for G-series pumps – use with a G3 Max, G3 SP or G-Mini when connecting directly to the pump, when LED cycle indication is not required. | | | | | |
| Part Number | 1st connection | 2nd connection | Length | Notes | |
| 126331 | M12 female, straight | Flying leads | 16.5 ft (5 m) | Requires 124594 when used with G3 Max/SP or G-Mini | |
| 124300 | M12 male, straight | Flying leads | 16.5 ft (5 m) | Accessory cable – add 124301 when connecting to an M12 sensor. | |
| 124333 | M12 female, straight | M12 male, straight | 16.5 ft (5 m) | Accessory cable | |

VENT VALVE ORDERING INFORMATION

Direct-Mount Vent Valves for G3 Pumps

G3 pump vent valve kits include adjustable pressure relief, 500-3,500 psi (35-241 bar), and mount directly to a G3 pump.

Normally Closed Vent Valves for use with G3 Max pumps

| Voltage | NPT version | Power cable |
|----------|-------------|-------------|
| 12 VDC | 571169 | Included |
| 24 VDC | 571170 | Included |
| AC pumps | 571170 | Included |

G3 Max AC pumps are 24 VDC internally, so they use 24 VDC accessories, including the vent valve and pressure sensors.

COMPACT DYNA-STAR (CDS)

Right-Sized Solution

The Graco Compact Dyna-Star automatic lubrication system delivers high-capacity flow, robust durability and innovative control in a smaller footprint to extend uptime for today's toughest earth-moving machines and users in the harshest environments.

Rugged Durability

Metal construction ensures trustworthy operation in the most extreme environments.

Integrated Auto-Fill Shut-Off

Option enables single-person, powered-down, ground-level refills, without the need to climb or worry about spills.

Smart Power Train

24 VDC, brushless motor and zero-maintenance gear drive deliver lubricants on time, even at -40° F (-40° C).

Intelligent Monitoring

Optional pressure and lubricant level sensors provide useful system information in real time.

Compact Power

Fits easily in space-limited applications; powerful enough to keep up with aggressive lubrication interval.



TECHNICAL SPECIFICATIONS

| | |
|--------------------------|----------------------------------------------------|
| Maximum Working Pressure | 3,500 psi (241 bar) |
| Operating Temperature | -40 to 149° F (-40 to 65° C) |
| Reservoir Size | 12 liter, 20 liter and 60lb |
| Maximum Flow Output Rate | 4.5 in ³ /min (74 cm ³ /min) |
| Lube Type | Oil and grease up to NLGI #2 |
| Certifications/Ratings | IP69K |
| Manual | 3A6941 |

TYPICAL APPLICATIONS

- Aggregates
- Mining
- Construction
- Hydraulic Fracturing Units

COMPACT DYNA-STAR (CDS)

ORDERING INFORMATION

CD - X - X - X - X

Pump Description

| Code | Description |
|------|------------------------------------|
| 1 | 12 L / 35 lb bucket length, 24 VDC |
| 2 | 20 L reservoir length, 24 VDC |
| 3 | 60 pound reservoir length, 24 VDC, |

Metering System Feedback

| Code | Description |
|------|--------------------------------------------------------------------------|
| 0 | Series progressive, no vent-valve, no pressure feedback (plugged outlet) |
| 1 | Vent-valve, no pressure feedback (plugged outlet) |
| 2 | Vent-valve, pressure switch |
| 3 | Vent-valve, pressure-reporting transducer |

Reservoir

| Code | Description |
|------|---------------------------------------------|
| 0 | No reservoir, bare pump |
| 1 | 12 L steel reservoir, follower plate |
| 2 | 20 L steel reservoir, follower plate |
| 3 | 35 lb plastic bucket kit |
| 4 | 12 L steel reservoir, no follower plate |
| 5 | 20 L steel reservoir, no follower plate |
| 6 | 60 pound steel reservoir, follower plate |
| 7 | 60 pound steel reservoir, no follower plate |

Reservoir Accessories

| Code | Description |
|------|---------------------------------------------------|
| 0 | Bare pump or bucket kit (no reservoir) |
| 1 | Low-level switch |
| 2 | Level-reporting transducer |
| 3 | Auto-fill shut-off and low-level switch |
| 4 | Auto-fill shut-off and level-reporting transducer |



CD2324

ORDERING INFORMATION

| CDS Accessories | |
|-----------------|--------------------------------------------------------------------------------------------------------------------------------------|
| 26A883 | GLC X to CDS 3 ft (1 m) cable |
| 26A884 | CDS extension cable, 12-wire, 20 ft (6 m) with flying leads |
| 26A889 | 12-pin DT female CDS mating connector kit |
| 25R001 | 12 liter reservoir wall mount bracket |
| 25R318 | 12 and 20 liter Mounting bracket for GLC X, Red Alert filter, 3- and 5-section MSP assemblies or 3- and 5-bank GL-1 series injectors |
| 25U220 | 60 pound Mounting bracket for GLC X, Red Alert filter, 3- and 5-section MSP assemblies or 3- and 5-bank GL-1 series injectors |

Pair with the GLC X Controller and Auto Lube App Drive More Productivity

The powerful, easy-to-use Graco GLC X automatic lubrication controller captures more information so operators, technicians and managers can make faster, smarter decisions. Paired with the intuitive Auto Lube app, users can monitor system performance and make adjustments with incredible speed, precision and freedom from their personal mobile device.



Easy-to-Read Screen

High-contrast screen features text codes, faults and other data clearly in any ambient light without distracting operators.

Real-Time System Reporting

Program and display a wide range of customisable functions – including lubrication intervals, pressure limits, lubricant levels and more.

Smart Device and Mobile App

With the Auto Lube app, monitor lubrication levels, configure settings, track system history and share important diagnostics.



ORDERING INFORMATION

| GLC X Controller | |
|------------------|--------------------------------------------------------------|
| 26A855 | GLC X controller with 20 ft (6 m) cable |
| 26A814 | GLC X controller |
| 26A882 | GLC X wiring harness, 12-wire, 20 ft (6 m) with flying leads |



ELECTRIC DYNA-STAR (EDS)

Safely Move Pump

Built-in lift ring is rated to 500 lbs (226 kg).

M23 Connector

Saves installation time.

Adjustable Motor and Amp Control

Make adjustments with the turn of a dial. LED status lights.

Mechanical Auto-Fill Shutoff

Shuts off the fill pump for clean, trouble-free refilling without electronics.

Strong 12 Gauge Steel Reservoir

Available in 60 lb (27 kg) or 90 lb (41 kg) reservoirs. Matches common bolt pattern.

Graco Advantage Drive™

Hardened steel gears are lubricated for life and sealed to keep contaminants out for longer lasting performance.

Direct Mount Electric Vent Valve

Compact design means less parts to break or wear out.

Low-Level Sensor

Alerts low grease status and self-clears without a follower plate.

Tube-In-Tube

Provides simple and direct venting and filling to the foot of the pump.

Remote Fill Manifold

Enables clean and efficient ground-level filling up to 5,000 psi (344 bar).



ELECTRIC DYNA-STAR (EDS)

ORDERING INFORMATION

| Stand Alone Pumps | | | | | | | | |
|---------------------------|--------------------------------------------------------------------------------------------------------------------------------------------------------------------------------------------------------|-------|------------|-----------|------------------------|----------------|------------------------|--------------------|
| 77X000 | 24 VDC HP stand-alone pump for 35 or 60 pound reservoir | | | | | | | |
| 77X001 | 24 VDC HP stand-alone pump with tube-in-tube for 35 or 60 pound reservoir | | | | | | | |
| 77X002 | 24 VDC HP stand-alone pump with tube-in-tube for 90 or 120 pound reservoir | | | | | | | |
| 77X003 | 24 VDC HP stand-alone pump with tube-in-tube for 400 pound reservoir | | | | | | | |
| 77X014 | 24 VDC HF stand-alone pump for 35 or 60 pound reservoir | | | | | | | |
| 77X015 | 24 VDC HF stand-alone pump for 120 pound reservoir | | | | | | | |
| 77X016 | 24 VDC HF stand-alone pump for 400 pound reservoir | | | | | | | |
| Custom Tank Injector Kits | | | | | | | | |
| 77X011 | 24 VDC HP pump and vent valve with tube-in-tube for 35 or 60 pound reservoir | | | | | | | |
| 77X012 | 24 VDC HP pump and vent valve with tube-in-tube for 90 or 120 pound reservoir | | | | | | | |
| 77X013 | 24 VDC HP pump and vent valve with tube-in-tube for 400 pound reservoir | | | | | | | |
| System Installation Kits | | | | | | | | |
| 77X960 | 24 VDC HP pump with auto-fill shutoff and low-level monitor, GLC2200 controller, wiring harness, low-level sensor cable, power cable, pressure switch, and remote fill manifold for 60 pound reservoir | | | | | | | |
| 77X990 | 24 VDC HP pump with auto-fill shutoff and low-level monitor, GLC2200 controller, wiring harness, low-level sensor cable, power cable, pressure switch, and remote fill manifold for 90 pound reservoir | | | | | | | |
| HP Pump Modules | | | | | | | | |
| Part Number | Reservoir Size | | Vent Valve | Dip Stick | Low Level 77X522 (DIN) | Follower Plate | Low Level 17L372 (M12) | Auto-Fill Shut Off |
| | 60 lb | 90 lb | | | | | | |
| 77X102 | • | | • | | | | | • |
| 77X103 | | • | • | | | | | • |
| 77X202 | • | | • | | | | • | • |
| 77X203 | | • | • | | | | • | • |
| Accessories | | | | | | | | |
| 77X500 | Follower plate for Graco 60 pound and 90 pound Graco tank for tube-in-tube | | | | | | | |
| 77X510 | Follower plate for 35 pound bucket with and without tube-in-tube | | | | | | | |
| 247701 | Follower plate for 120 pound drum without tube-in-tube | | | | | | | |
| 77X511 | Follower plate for 120 pound drum with tube-in-tube | | | | | | | |
| 247702 | Follower plate for 400 pound drum without tube-in-tube | | | | | | | |
| 77X512 | Follower plate for 400 pound drum with for tube-in-tube | | | | | | | |
| 77X513 | Cover, cylinder, tie-rods and base to convert 60 pound length to 35 pound bucket | | | | | | | |
| 77X514 | Cover for 120 pound drum | | | | | | | |
| 77X515 | Cover for 400 pound drum | | | | | | | |
| 77X521 | Auto-fill shutoff (AFSO) – diaphragm, plate, valve, coupler, and pipes | | | | | | | |
| 77X522 | Low level kit sight glass, electric low level switch, and cable (requires follower plate 77X500) | | | | | | | |
| 77X523 | 400 micron inline filter, maximum 5,000 psi (344 bar) inlet pressure (replacement filter 77X541) | | | | | | | |
| 17L366 | Red alert filter with 380µm, 36 in² steel mesh filter (replacement filter 129031) | | | | | | | |
| 24R952 | Red alert filter with reservoir mounting kit (includes 17L366) | | | | | | | |
| 16V678 | Red alert filter mounting bracket | | | | | | | |
| 77X524 | 110-230 VAC to 24 VDC converter box | | | | | | | |
| 77X540 | 24 VDC electric vent valve with pressure relief | | | | | | | |
| 77X542 | Remote-fill port manifold with vent | | | | | | | |
| 77X543 | HF manifold with 4,000 psi pressure relief | | | | | | | |
| 77X544 | HP manifold with 5,000 psi pressure relief | | | | | | | |
| 77X545 | Power cable for series progressive systems, M23 connector, 15 ft (4.6 m) | | | | | | | |
| 77X546 | Power cable for injector systems, M23 connector, 15 ft (4.6 m) | | | | | | | |
| 115124 | Pressure switch – pressure adjustment visible in window | | | | | | | |
| 24N180 | Pressure switch, 1/4 in BSPP inlet, DIN 43650 connector (1 NO/1 NC), 7,250 psi (500 bar) | | | | | | | |
| 24N181 | Pressure switch, 1/4 in NPT(F) inlet, DIN 43650 connector (1 NO/1 NC), 7,250 psi (500 bar) | | | | | | | |



77X960

ELECTRIC DYNA-STAR INJECTOR SYSTEM INSTALLATION KIT ORDERING INFORMATION

| | 77X960 | 77X990 |
|-----------------------------------------------------------------|------------------------------------|------------------------------------|
| EDS HP Pump with auto-fill shutoff and low-level monitor | 77X202 (60 pound reservoir) | 77X203 (90 pound reservoir) |
| GL C2200 Controller | 24N468 | |
| GLC2200 wiring harness | 24P314 | |
| Low-level sensor cable | 129072 | |
| EDS pump power cable | 77X546 | |
| Pressure switch | 24N181 | |
| Remote fill manifold | 77X542 | |

Refer to www.graco.com or the Graco Automatic Lubrication Equipment Buyer's Guide for additional configurations and accessories.

DYNA-STAR 10:1, 5:1 AND FIREBALL 300 50:1

ORDERING INFORMATION

| Dyna-Star 10:1 Modules And Kits | |
|---------------------------------|--------------------------------------------------------------------------------------------------------------------------------------------------------------------------------------------------------------------------------------|
| 24Y407 | Dyna-Star 10:1 90 lb pump kit – injector – mechanical AFSSO |
| 24Y408 | Dyna-Star 10:1 60 lb pump kit – injector – mechanical AFSSO |
| 247574 | Dyna-Star 10:1 60 lb (27 kg) pump module – injector – overall height 35.15 in (842 mm). Includes pump (247540), reservoir assembly (247575), hydraulic control assembly (247538) and vent valve assembly (243170). Fully assembled. |
| 247706 | Dyna-Star 10:1 60 lb (27 kg) pump kit – divider valve – overall height 35.15 in (842 mm). Includes pump (247540), reservoir assembly (247575) and hydraulic control assembly (247538). Not assembled. |
| 247444 | Dyna-Star 10:1 90 lb (41 kg) pump module – injector – overall height 42.75 in (1086 mm). Includes pump (247443), reservoir assembly (241486), hydraulic control assembly (247538) and vent valve assembly (243170). Fully assembled. |
| 247707 | Dyna-Star 10:1 90 lb (41 kg) pump kit – divider valve – overall height 42.75 in (1086 mm). Includes pump (247443), reservoir assembly (241486) and hydraulic control assembly (247538). Not assembled. |
| 247902 | Pressure relief kit for 247706 and 247707 |
| 312349 | Manual for 247574, 247706, 247444, 247707 |

Dyna-Star 10:1 Refinery Drum And Custom Tank Applications

| Description | Refinery Drums | | Custom Tank Applications | | | | | |
|--------------------------------------|----------------|-----------|--------------------------|---------|----------|----------|-----------|-----------|
| | DV | DV | Injector | DV | Injector | DV | Injector | DV |
| Weight lbs (kg) | 120 (55) | 400 (180) | 60 (27) | 60 (27) | 120 (55) | 120 (55) | 400 (180) | 400 (180) |
| Divider Valve (DV) or Injector Based | | | | | | | | |
| Pump | 247443 | 247450 | 247540 | 247540 | 247443 | 247443 | 247450 | 247450 |
| Hydraulic Control* | 247705 | 247705 | 247538 | 247538 | 247538 | 247538 | 247538 | 247538 |
| Vent Valve | – | – | 243170 | – | 243170 | – | 243170 | – |
| Cover | 247703 | 247704 | – | – | – | – | – | – |
| Pump Gasket | 15M442 | 15M442 | 15M442 | 15M442 | 15M442 | 15M442 | 15M442 | 15M442 |
| Custom Tank Kit** | – | – | 247970 | – | 247456 | – | 247457 | – |

*Hydraulic control assembly (247705) includes longer hoses to enable remote mounting.

**Kits include pump (247540, 247443 or 247450), hydraulic control assembly (247538), vent valve (243170), and pump gasket (15M442).

Dyna-Star 10:1 Module Accessories

| | |
|--------|--------------------------------------------------------------|
| 243170 | Vent valve |
| 247538 | Hydraulic control module |
| 247700 | Follower plate for 60 lb (27 kg) and 90 lb (41 kg) modules |
| 244023 | Level indicator for 60 lb (27 kg) and 90 lb (41 kg) modules† |
| 115124 | Pressure switch |
| 247575 | Reservoir – 60 lb (27 kg) |
| 241486 | Reservoir – 90 lb (41 kg) |

†Requires follower plate, order with part number 247700.

Fireball 300 And Dyna-Star 5:1 Modules and Accessories

| | |
|--------|---------------------------------------------------------------------------------------------------------------------------------------------------------------------|
| 241573 | Fireball 300, 50:1 90 lb (41 kg) pump module. Includes pump (239887), reservoir assembly (241486), and vent valve assembly (241572) |
| 25D096 | Fireball 300, 50:1 60 lb (27 kg) pump module. Includes pump (239877), reservoir assembly (247575), and vent valve assembly (241572) |
| 241485 | Follower plate (fits 241573 and 25D096) |
| 243159 | Dyna-Star 5:1 90 lb (41 kg) pump module. Includes pump (224751), reservoir assembly (241486), hydraulic control assembly (243501), and vent valve assembly (243170) |
| 243191 | Follower plate (fits 243159) |



247574



241573



Ruggedised Construction

U.V., chemical, and high-impact resistant – rigorously tested and field-proven.

NLGI #2 Compatible

NLGI #000 to #2 and 2000 psi (138 bar).

Low Level Signal

Alerts when out of grease.

Electrical Drive

12 VDC (7 Amp) or 24 VDC (4 Amp) power. Protected against motor burn-out.

Data Management System*

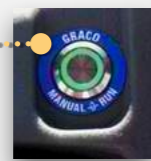
Track critical lubrication data. Fast programming.

Integrated Controls

Includes adjustable ON/OFF times, PIN code lockout and on-panel alerts.

In-Cab Feedback*

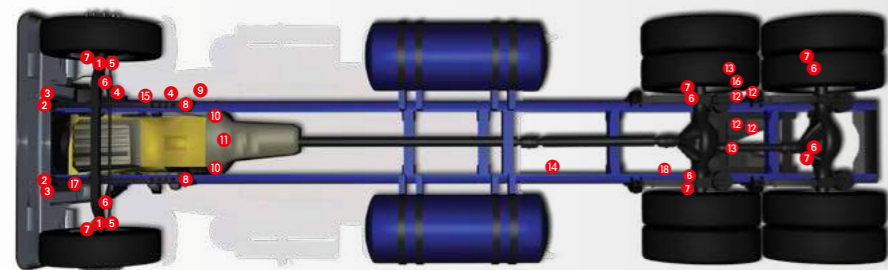
Tri-colour LED system feedback indicator with Manual Run button.



*DMS version optional equipment

Truck and tractor lubrication systems lubricate these parts:

- 1 Upper King Pins
- 2 Lower King Pins
- 3 Hood Pins
- 4 Spring Pins
- 5 Drag Links
- 6 Tie Rod Ends
- 7 Slack Adjusters
- 8 S-Cams
- 8 Spring Hangers
- 9 Clutch Pedal
- 10 Clutch Cross Shafts
- 11 Clutch Throw Out Bearing
- 12 5th Wheel Plate
- 13 5th Wheel Pivots
- 14 Pump
- 15 Left Front Module
- 16 5th Wheel Module
- 17 Right Front Module
- 18 Rear Module



Electric Grease Jockey® Manifolds

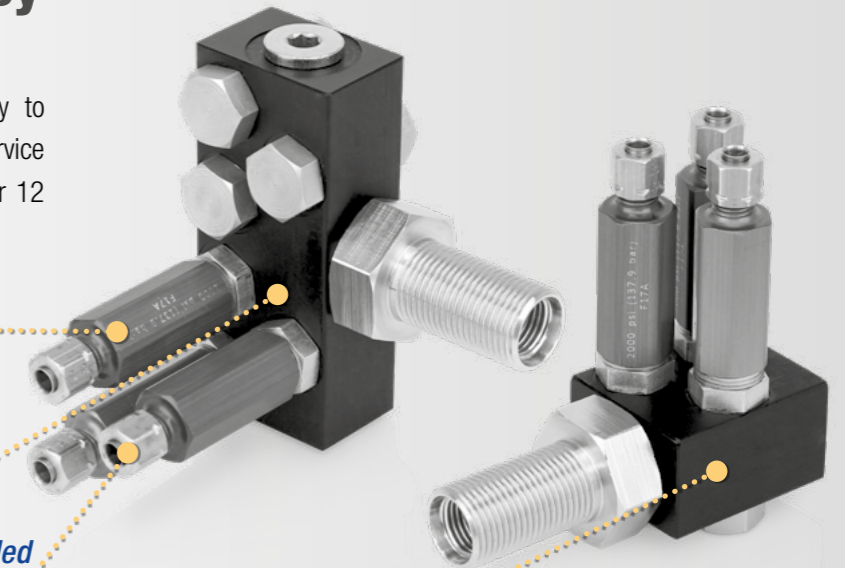
Grease Jockey modular design makes it easy to add or subtract lube points and commonise service parts across your fleet. Modules hold up to 6 or 12 lubrication point meters.

Updated for NLGI #2 Grease

Multiple Mounting and Plumbing Options

Same Pre-Charged, Colour Coded Lines and End-Point Fittings

12-Port And 6-Port Options



ELECTRIC GREASE JOCKEY PUMP PACKAGES

| | Package Number | 25C990 | 25C991 | 25C992 | 25C993 |
|------------------|------------------------|--------|--------|--------|--------|
| Package Includes | Pump | 24Z764 | 24Z959 | 24Z660 | 24Z958 |
| | Power | 12V | 24V | 12V | 24V |
| | Data Management System | - | - | Yes | Yes |
| | Power Cable | 129644 | 129644 | 127782 | 127782 |
| | Manual Run Button | - | - | 25C981 | 25C982 |

ELECTRIC GREASE JOCKEY SYSTEM INSTALLATION KITS

| | Package Number | Truck with Greaseable Spring Pins | | | Truck with Sealed Spring Pins (non-greaseable) | | |
|----------------------------------|-------------------------------------------------|-----------------------------------|-------------------------|-------------------------|------------------------------------------------|-------------------------|-------------------------|
| | | Drum Brakes | | Disc Brakes | Drum Brakes | | Disc Brakes |
| | | 6 x 4 Tandem Axle | 4 x 2 Single Axle | | 6 x 4 Tandem Axle | 4 x 2 Single Axle | |
| | | 32 Point / 4 Module Kit | 28 Point / 3 Module Kit | 20 Point / 3 Module Kit | 26 Point / 4 Module Kit | 22 Point / 3 Module Kit | 14 Point / 3 Module Kit |
| Package Includes | 12 VDC Grease Jockey pump | 25C971 | 25C972 | 25C973 | 25C974 | 25C975 | 25C976 |
| | 18 ft mainline section/installable end kit | | 17S970 | | 17S970 | | |
| | 12 ft mainline section/installable end kit | | 17S969 | | 17S969 | | |
| | 6 ft mainline section/installable end kit (qty) | 17S968 (2) | 17S968 (1) | 17S968 (1) | 17S968 (2) | 17S968 (1) | 17S968 (1) |
| | Mainline tee (qty) | 129759 (3) | 129759 (2) | 129759 (2) | 129759 (3) | 129759 (2) | 129759 (2) |
| | Mainline elbow (2) | | 129755 | | 129755 | | |
| | Front left meter module | 25C854 | 25C854 | 25C857 | 25C858 | 25C858 | 25C849 |
| | Front right meter module | 25C859 | 25C859 | 25C850 | 25C851 | 25C851 | 25C852 |
| | 5th wheel meter module | 25C853 | 25C855 | 25C853 | 25C853 | 25C855 | 25C853 |
| | Rear axle meter module | 25C856 | | | 25C856 | | - |
| | 3/16 in to 1/8 NPT elbows, 10-Pack (qty) | 25C977 (3) | 25C977 (3) | 25C977 (2) | 25C977 (3) | 25C977 (2) | 25C977 |
| | 3/16 in to 1/8 NPT straights, 10-Pack | | 25C978 | | 25C978 | | |
| | 1/4-28 SAE to 1/8 NPT(F), 5-Pack | | 25C979 | | 25C979 | | |
| Mounting bracket | | 25T767 | | 25T767 | | | |
| Zip ties, 100-count | | 17K063 | | 17K063 | | | |
| Zip ties, looped, 10-count (qty) | 25C980 (3) | 25C980 (2) | 25C980 (1) | 25C980 (3) | 25C980 (2) | 25C980 (1) | |

Graco quality provides consistent performance in rugged environments.

- No vent holes to leak lubricants
- Fully-enclosed press fittings

Injector Covers

Clear, polycarbonate covers protect cycle pin indicators from contamination. (Included with GL-1 X and GL-1 XL models)

Hex-Head Adjustment Nut

Heavy-duty hex-head nut makes output adjustments simple.

Unibody Design

Rugged, single-piece body for use in harsh environments.

GL-1 Manifold

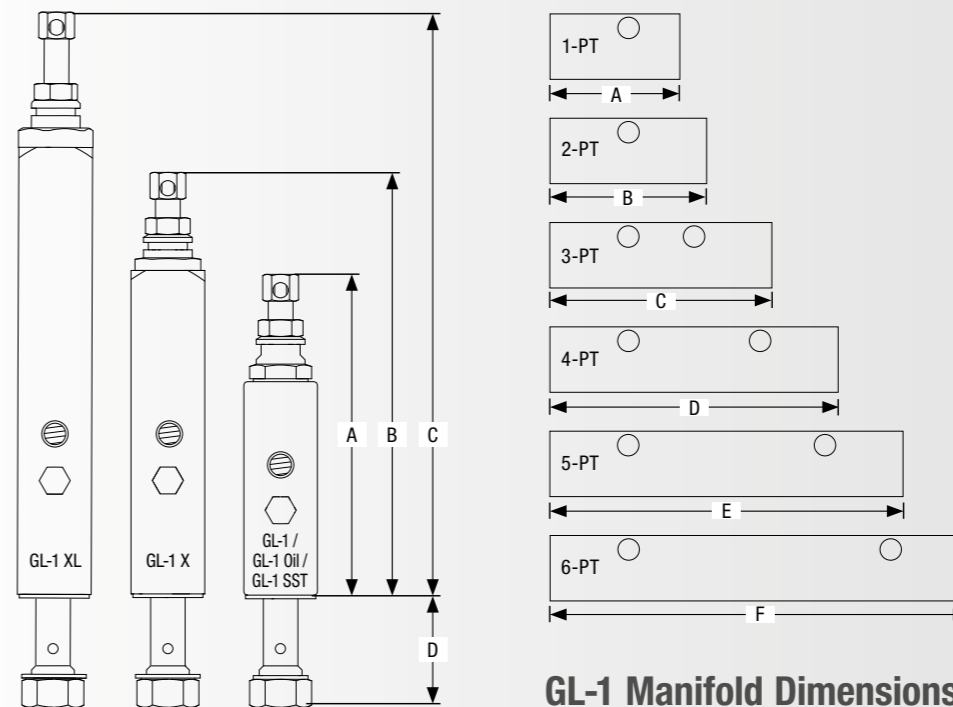
6,000 psi, 3/8 in NPT port manifolds fit pre-existing mounting patterns.

Output Spectrum Sleeves

Colour-coded spacers enable simple, targeted output volume.



114905



GL-1 Injector Dimensions

| | |
|---|-------------------|
| A | 5.3 in (13.46 cm) |
| B | 6.9 in (17.53 cm) |
| C | 9.5 in (24.13 cm) |
| D | 1.7 in (4.32 cm) |

GL-1 Manifold Dimensions

| | |
|---|-------------------|
| A | 2.5 in (6.35 cm) |
| B | 3.0 in (7.62 cm) |
| C | 4.2 in (10.67 cm) |
| D | 5.5 in (13.97 cm) |
| E | 6.7 in (17.02 cm) |
| F | 8.0 in (20.32 cm) |



114905



24X807



24X817

ORDERING INFORMATION

| | GL-1 | GL-1 Oil | GL-1 SST | GL-1 X | GL-1 XL |
|-------------------------------------------------------------|--------|----------|----------|--------|---------|
| GL-1 Injectors and Manifold Assemblies | | | | | |
| GL-1 one point assembly | 114901 | 25T641 | – | 24X801 | 24X811 |
| GL-1 two point assembly | 114902 | 25T642 | – | 24X802 | 24X812 |
| GL-1 three point assembly | 114903 | 25T643 | – | 24X803 | 24X813 |
| GL-1 four point assembly | 114904 | 25T644 | – | 24X804 | 24X814 |
| GL-1 five point assembly | 114905 | 25T645 | – | 24X805 | 24X815 |
| GL-1 six point assembly | 117206 | 25T646 | – | 24X806 | 24X816 |
| GL-1 single replacement injector (no manifold) | 114909 | 25T649 | 25N109 | 24X807 | 24X817 |
| GL-1 Bare Injector Manifolds (no injectors included) | | | | | |
| One bank GL-1 manifold | 114911 | 114911 | 25N101 | 114911 | 114911 |
| Two bank GL-1 manifold | 114912 | 114912 | 25N102 | 114912 | 114912 |
| Three bank GL-1 manifold | 114913 | 114913 | 25N103 | 114913 | 114913 |
| Four bank GL-1 manifold | 114914 | 114914 | 25N104 | 114914 | 114914 |
| Five bank GL-1 manifold | 114915 | 114915 | 25N105 | 114915 | 114915 |
| Six bank GL-1 manifold | 118206 | 118206 | 25N106 | 118206 | 118206 |

SINGLE LINE PARALLEL GL-32™ AND GL-43™ INJECTORS

Features and Benefits

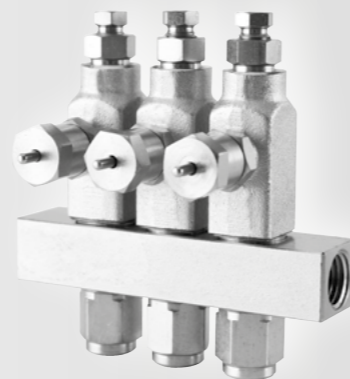
- Accurate, reliable and adjustable lubrication for each lube point. Systems are easy to design, fast to set up and allow you to add or subtract lube points without having to redesign your lubrication system
- Versatile high performance – works with oil and grease grades to NLGI #2
- All injectors come standard with fluoroelastomer seals for use with synthetic lubricants and high temperature applications – up to 350°F (176°C)

Typical Applications

- In-plant machinery, mobile equipment and anywhere adjustable lubrication output is desired

Typical Fluids Handled

- Oil (10 weight minimum) and grease up to NLGI #2



24A923

TECHNICAL SPECIFICATIONS

| | GL-32 Grease Injectors | GL-43 Oil Injectors |
|--------------------------------------|----------------------------------------------------------------|---------------------|
| Maximum Operating Pressure | 3,500 psi (241 bar) | 1,000 psi (69 bar) |
| Minimum Operating Pressure | 1,200 psi (83 bar) | 750 psi (52 bar) |
| Typical Operating Pressure | 1,500 psi (103 bar) | 850 psi (59 bar) |
| Reset Pressure | 200 psi (13.7 bar) | 150 psi (10 bar) |
| Output Volume Per Cycle (adjustable) | 0.001 to 0.008 in ³ (0.02 to 0.13 cm ³) | |
| Maximum Temperature Rating | 350°F (176°C) | |
| Cycle Indication | Visual pin | |
| Instruction Manual | 313798 | |

ORDERING INFORMATION

| | GL-32 Grease Injectors | | GL-43 Oil Injectors |
|------------------------------------------------------------------|------------------------|---------------|---------------------|
| | Carbon Steel | 304 Stainless | Carbon Steel |
| Stand-Alone Injector, 1/4 NPT male inlet, 1/8 in OD tube outlet | 24A919* | 24E389* | 24E240* |
| Replacement Injector for manifolds, 1/8 in OD tube outlet | 24A920* | 24E390* | 24E245* |
| 1-Injector Manifold, 1/4 NPT female inlet, 1/8 in OD tube outlet | 24A921 | 24E391 | 24E241 |
| 2-Injector Manifold, 1/4 NPT female inlet, 1/8 in OD tube outlet | 24A922 | 24E392 | 24E242 |
| 3-Injector Manifold, 1/4 NPT female inlet, 1/8 in OD tube outlet | 24A923 | 24E393 | 24E243 |
| 4-Injector Manifold, 1/4 NPT female inlet, 1/8 in OD tube outlet | 24A924 | 24E394 | 24E244 |
| Replacement Injector for manifolds, 6 mm OD tube outlet | 24F508* | 24F550* | 24F543* |
| 1-Injector Manifold, 1/8 BSPP female inlet, 6 mm OD tube outlet | 24F509 | 24F551 | 24F544 |
| 2-Injector Manifold, 1/8 BSPP female inlet, 6 mm OD tube outlet | 24F510 | 24F552 | 24F545 |
| 3-Injector Manifold, 1/8 BSPP female inlet, 6 mm OD tube outlet | 24F511 | 24F553 | 24F546 |
| 4-Injector Manifold, 1/8 BSPP female inlet, 6 mm OD tube outlet | 24F512 | 24F554 | 24F548 |
| Repair/Overhaul Kit | 24B360 | 24F944 | 24F201 |

*Must be ordered in quantities of five.

| | GL-32, GL-33, GL-42 and GL-43 Outlet Fittings | |
|---------------------------|-----------------------------------------------|-----------------|
| | Carbon Steel | Stainless Steel |
| JIC-4 male | 17B168 | 17B169 |
| 1/8 in OD tube | 24B677 | 24F943 |
| 1/8 in OD Push-to-Connect | 17B879 | 17B880 |
| 1/8 in NPT female | 17B780 | 17B781 |
| 4 mm OD tube | 24F513 | 24F555 |
| 6 mm OD tube | 24F514 | 24F556 |
| Closure Plug | 17B782 | 17B783 |

| Accessories | |
|-------------|----------------------------------------------------------------------------|
| 24W495 | Manual grease fitting adapter – compatible with 1/8 in OD tube outlet only |
| 17B785 | Measuring chamber vinyl cap |

Features and Benefits

- Adjustable output volumes to custom fit the system for each lube point
- Convenient top-mounted cycle pin indicator provides quick, at-a-glance confirmation that the injector is functioning properly
- Hex head adjustment for easy turning from most any orientation

Typical Applications

- Rugged, medium-pressure metering system for pumping grease; ideal for heavier-duty applications such as mobile mining vehicles, milling, cement batch plants or material processing equipment.

Typical Fluids Handled

- Grease up to NLGI #2



24A918

TECHNICAL SPECIFICATIONS

| | |
|------------------------------|------------------------------------------------------------|
| Reset Pressure | 600 psi (41 bar) |
| Maximum Pressure | 3,500 psi (241 bar) |
| Suggested Operating Pressure | 2,500 psi (172 bar) |
| Minimum Operating Pressure | 1,000 psi (69 bar) |
| Output Range | 0.05 to 0.5 in ³ (0.82 to 8.2 cm ³) |
| Number of Adjustment Turns | 14 |
| Cycle Indicator | Visual |

ORDERING INFORMATION

| GL Injectors and Accessories | |
|------------------------------|---------------------------------|
| 24A918 | GL-11 injector |
| 24B359 | GL-11 injector repair kit |
| 17Y511 | GL-11 zerk and cap kit (5 pack) |

Graco Quality in a Compact Package

Compact Series Progressive (CSP) valve with broad market versatility. Combine with field-proven Graco pumps for a complete system solution.

1/8" NPT or BSPP Inlet

Built-in Durability

Zinc iron plating stands up to harsh environments.



Variety of Configurations

6 to 22 outlets, available with or without indicators.

High Output Pressure

Maximum working pressure of 5,076 psi (350 bar).

Output to Meet Your Needs

0.012 in3 (0.2 cc)/stroke output with the ability to double-up outlets if greater output is required.

TYPICAL FLUIDS HANDLED

- Oil or grease grades up to NLGI #2

TECHNICAL SPECIFICATIONS

| | |
|---------------------------------|--------------------------------------------------------|
| Maximum Pressure, psi (bar) | 5,076 (350) |
| Output Single Outlet, in3 (cm3) | 0.012 in3 (.20 cm3) |
| Cycle Indication | Electronic proximity switch, magnetic visual indicator |
| Max Operating Temperature | 212°F (100°C) |
| Material | Carbon alloy steel with zinc iron plating |

ORDERING INFORMATION

| | NPT | BSPP |
|-------------------------------------|----------------------|--------|
| CSP Valves without Indicator | | |
| 6 outlet, 1/8 in inlet | 24Z486 | 24Z477 |
| 8 outlet, 1/8 in inlet | 24Z487 | 24Z478 |
| 10 outlet, 1/8 in inlet | 24Z488 | 24Z479 |
| 12 outlet, 1/8 in inlet | 24Z489 | 24Z480 |
| 14 outlet, 1/8 in inlet | 24Z490 | 24Z481 |
| 16 outlet, 1/8 in inlet | 24Z491 | 24Z482 |
| 18 outlet, 1/8 in inlet | 24Z492 | 24Z483 |
| 20 outlet, 1/8 in inlet | 24Z493 | 24Z484 |
| 22 outlet, 1/8 in inlet | 24Z494 | 24Z485 |
| CSP Valves with Indicator | | |
| 6 outlet, 1/8 in inlet | 24Z504 | 24Z495 |
| 8 outlet, 1/8 in inlet | 24Z505 | 24Z496 |
| 10 outlet, 1/8 in inlet | 24Z506 | 24Z497 |
| 12 outlet, 1/8 in inlet | 24Z507 | 24Z498 |
| 14 outlet, 1/8 in inlet | 24Z508 | 24Z499 |
| 16 outlet, 1/8 in inlet | 24Z509 | 24Z500 |
| 18 outlet, 1/8 in inlet | 24Z510 | 24Z501 |
| 20 outlet, 1/8 in inlet | 24Z511 | 24Z502 |
| 22 outlet, 1/8 in inlet | 24Z512 | 24Z503 |
| CSP Valve Accessories | | |
| 25E935 | Acrylic CSP Demo Kit | |

ORDERING INFORMATION

| G-Lock Push-to-Connect (PTC) Fittings | |
|--------------------------------------------------|------------------------------------------------------------------------------------------------|
| For use with 1/8 in ID hose only | |
| 17L441 | 1/4 in stud PTC, M10, CSP outlet |
| 17L458 | 6 mm stud PTC, M10, CSP outlet. Refer to page 100 for mating 6 mm hose studs and hose. |
| 25M496 | 90 degree 1/4 in field-installable stud |
| 25M497 | Straight 1/4 in field-installable stud |
| 17L442 | 1/4 in stud PTC with male 1/8 in NPT, inlet or LP |
| 17L547 | 1/4 in stud PTC with male 1/4 in NPT, pump outlet |
| Nylon Tube Push-To-Connect (PTC) Fittings | |
| For use with 1/4 in OD nylon tube | |
| 17L440 | 1/4 in OD nylon tube PTC, M10, CSP outlet |
| 17L652 | 90 degree 1/4 in OD nylon tube PTC, male 1/8 in NPT, inlet or LP |
| 17L653 | Straight 1/4 in OD nylon tube PTC, male 1/8 in NPT, inlet or LP |
| CSP Outlet Fittings | |
| 25M498 | 1/8 in NPT female with check, M10 |
| 25M499 | 1/4 in compression with check, M10 |
| 17L550 | 6 mm stud compression, M10, CSP outlet. Refer to page 100 for mating 6 mm hose studs and hose. |
| Doubling Plug | |
| 17L651 | Doubling plug |
| Proximity Switch | |
| 17L879 | CSP – DC PNP, Solid state, 10-36 VDC, M12 connection |
| Weld Stud Accessories | |
| 25N730 | CSP weld bar kit |
| 26A478 | Weld stud kit |
| 26A479 | Weld stud template |
| 1/4 in ID Hoses and Accessories | |
| 128572 | Hose, 1/4 in ID, 2,750 PSI, 100 ft, braided with polyurethane cover |
| 128573 | Hose, 1/4 in ID, 2,750 PSI, 125 ft, braided with polyurethane cover |
| 128582 | Hose guard, 1/2 in ID, 100 ft |
| 128563 | Field-installable swivel hose end fitting, 1/4 in ID hose, #4 JIC, SAE 7/16-20 female |
| 128564 | Field-installable swivel hose end fitting, 1/4 in ID Hose, 1/4 in NPT male |
| 128565 | Field-installable swivel hose end fitting, 1/4 in ID Hose, 1/8 in NPT male |
| 1/8 in ID Hoses and Accessories | |
| 128570 | Hose, 1/8 in ID, 3,000 PSI, 200 ft, braided with polyurethane cover |
| 128571 | Hose, 1/8 in ID, 3,000 PSI, 400 ft, braided with polyurethane cover |
| 128579 | Hose guard, 3/8 in ID, 160 ft |
| 128580 | Hose guard, 3/8 in ID, 320 ft |
| 128561 | Field-installable swivel hose end fitting, 1/8 in ID hose, #4 JIC, SAE 7/16-20 female |
| 128562 | Field-installable swivel hose end fitting, 1/8 in ID hose, 1/8 in NPT male |
| 1/4 in OD Tubing and Accessories | |
| 127555 | Tubing, 1/4 in OD, 625 PSI, 100 ft |
| 127552 | 1/4 in tube x 1/4 in NPT straight compression fitting |
| 555726 | 1/4 in tube x 1/4 in NPT elbow compression fitting |
| 127553 | 1/4 in tube x 1/8 in NPT straight compression fitting |
| 556634 | 1/4 in tube x 1/8 in NPT elbow compression fitting |



17L441



17L652



25M499

FEATURES AND BENEFITS

The Trabon MSP Series sets the industry standard for quality, reliability, and ease of use features. It was the original modular-style series progressive divider valve—and is still the best!

- Quick change valve sections can be removed from the base assembly without disturbing any lube lines—minimising labor cost and maximising your machine uptime
- Accessories such as magnetic and electronic proximity switch cycle indicators provide positive assurance of a successful lube event
- Alternate outlet on face of valves can be fitted with optional performance indicators, taking the guesswork out of troubleshooting
- Built-in outlet check valves ensure accurate lube delivery, every time

TYPICAL APPLICATIONS

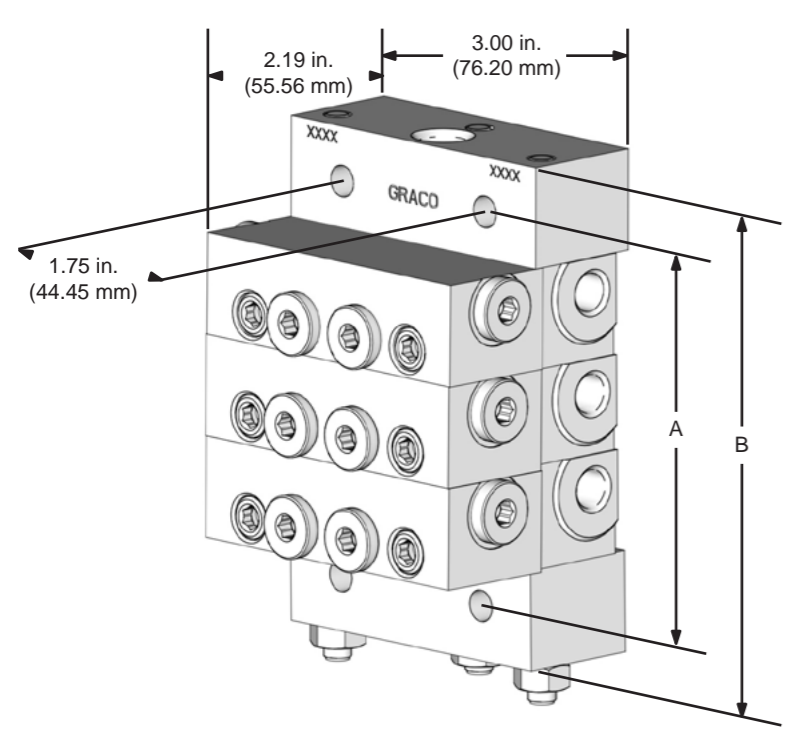
- Mobile, industrial, food and beverage, wind, and many more

TYPICAL FLUIDS HANDLED

- Oil or Grease up to NLGI #2

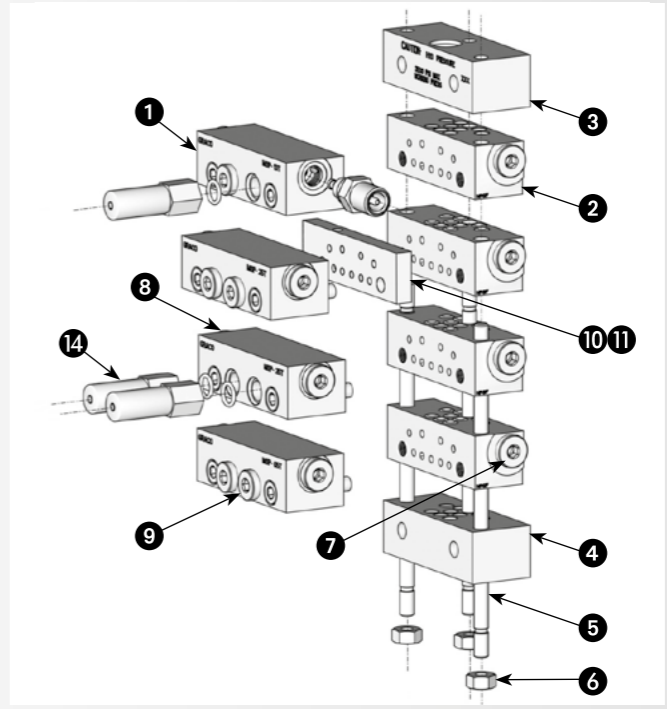
TECHNICAL SPECIFICATIONS

| | |
|----------------------------------|---------------------|
| Material | Plated Steel |
| Maximum Pressure | 3,500 psi (241 bar) |
| Max Operating Temperature | 350°F (176 °C) |
| Max Cycle Rate with Cycle Pin | 60 cycles/minute |
| Max Cycle Rate without Cycle Pin | 200 cycles/minute |



| Number of Valve Sections | Dimensions (for reference only) | |
|--------------------------|---------------------------------|-------------------|
| | A | B |
| 3 | 3.6 in (91.4 mm) | 4.6 in (116.8 mm) |
| 4 | 4.5 in (114.3 mm) | 5.0 in (127.0 mm) |
| 5 | 5.4 in (137.2 mm) | 6.4 in (162.6 mm) |
| 6 | 6.3 in (160.0 mm) | 7.4 in (188.0 mm) |
| 7 | 7.3 in (185.4 mm) | 8.3 in (210.8 mm) |
| 8 | 8.2 in (208.3 mm) | 9.2 in (233.7 mm) |

Easily configure the MSP Divider Valve system using the following item selection chart.



Note: Not shown in diagram – Bypass Block (562660), Cycle Indicators and Proximity Switches (refer to specific product pages), and Mounting Brackets (see page 66).

ORDERING INFORMATION

| MSP Valve Working Sections (Must be ordered in multiples of 5) | | | | | | |
|----------------------------------------------------------------|--------|-------------|-------------------------------------------------------|------------------|------------------------|-----------------------|
| Item | Outlet | Description | Output Per Outlet, in ³ (cm ³) | Part Number | | |
| | | | | Standard Section | With Cycle Pin – Right | With Cycle Pin – Left |
| 1 | Single | MSP-5S | 0.010 (0.16) | 562711 | N/A | |
| | | MSP-10S | 0.020 (0.33) | 562712 | N/A | |
| | | MSP-15S | 0.030 (0.49) | 562713 | N/A | |
| | | MSP-20S | 0.040 (0.66) | 562714 | 562729 | 562734 |
| | | MSP-25S | 0.050 (0.82) | 562715 | 562730 | 562735 |
| | | MSP-30S | 0.060 (0.98) | 562716 | 562731 | 562736 |
| | | MSP-35S | 0.070 (1.15) | 562717 | 562732 | 562737 |
| | | MSP-40S | 0.080 (1.31) | 562718 | 562733 | 562738 |
| | Twin | MSP-5T | 0.005 (0.08) | 562720 | N/A | |
| | | MSP-10T | 0.010 (0.16) | 562721 | N/A | |
| | | MSP-15T | 0.015 (0.26) | 562722 | N/A | |
| | | MSP-20T | 0.020 (0.33) | 562723 | 562739 | 562744 |
| | | MSP-25T | 0.025 (0.41) | 562724 | 562740 | 562745 |
| | | MSP-30T | 0.030 (0.49) | 562725 | 562741 | 562746 |
| | | MSP-35T | 0.035 (0.57) | 562726 | 562742 | 562747 |
| | | MSP-40T | 0.040 (0.66) | 562727 | 562743 | 562748 |

Pre-Configured MSP Base Plate Assemblies

Includes inlets, intermediate base plate sections, end section, tie rods, and nuts.

| Item | Maximum Number of Outlets | Number of Valve Sections | Part Number | | Dimensions (for reference only) | |
|-----------|---------------------------|--------------------------|-------------|--------|---------------------------------|-------------------|
| | | | NPSF | BSPP | A | B |
| 2/3/4/5/6 | 6 | 3 | 24G485 | 24N915 | 3.6 in (91.4 mm) | 4.6 in (116.8 mm) |
| | 8 | 4 | 24G486 | 24N916 | 4.5 in (114.3 mm) | 5.0 in (127.0 mm) |
| | 10 | 5 | 24G487 | 24N917 | 5.4 in (137.2 mm) | 6.4 in (162.6 mm) |
| | 12 | 6 | 24G488 | 24N918 | 6.3 in (160.0 mm) | 7.4 in (188.0 mm) |
| | 14 | 7 | 24G489 | 24N919 | 7.3 in (185.4 mm) | 8.3 in (210.8 mm) |
| | 16 | 8 | 24G490 | 24N920 | 8.2 in (208.3 mm) | 9.2 in (233.7 mm) |

GLC 2200

ORDERING INFORMATION

| Build Your Own MSP Base Plate Assemblies | | | | | | |
|------------------------------------------|---------------------------------------------------------------|--------------------------------|-------------|--------|--------|---------------------------------------------------|
| Item | Component | Description | Part Number | | | Note |
| | | | NPSF | BSPP | SAE | |
| 2 | Intermediate base plate | Single section | 563425 | 563447 | 563451 | Must be ordered in multiples of 5 |
| 3 | Inlet options <i>Additional specialty inlets available</i> | Standard | 560919 | 560936 | 560943 | |
| | | With bleed ports | 563421 | | 563422 | |
| 4 | End section options | Standard | | 563424 | | |
| | | With alternate inlet port plug | | 563279 | | |
| 5 | Tie rods (3 required) | 3-section | | 557731 | | 3 tie rods and tie rod nuts required for assembly |
| | | 4-section | | 557732 | | |
| | | 5-section | | 557733 | | |
| | | 6-section | | 557734 | | |
| | | 7-section | | 557735 | | |
| | | 8-section | | 557736 | | |
| | | 9-section | | 557738 | | |
| | | 10-section | | 557739 | | |
| | | 11-section | | 557740 | | |
| 6 | Tie rod nuts (3 required) | Tie rod nuts | | 556371 | | |

| Pipe, Piston Enclosure, and Indicator Port Plugs | | | | | |
|--------------------------------------------------|-----------------------------------|--------------|--------|----------------------|-----------------------------------------------------------|
| Item | Component | Part Number | | | Note |
| | | NPSF | BSPP | SAE | |
| 7 | Outlet Port Plug | 557349 (NPT) | 558799 | 567251 (with o-ring) | 1 outlet port plug is required for each "S" valve section |
| 8 | Piston Enclosure Plug with o-ring | | 567251 | | |
| 9 | Indicator Port Plug with o-ring | | 16U217 | | |

| Optional Components | | | | | |
|---------------------|-----------------------------------------|-----------------------------------------------------------------------------------------|--------------------------------------|----------------------------------------------------------------|--|
| Item | Component | Description | Part Number | Note | |
| 10 | Crossport Bar | Right | 563469 | 1 outlet port plug is required for each crossport bar | |
| | | Left | 563470 | | |
| | | Right and Left | 563471 | 2 outlet port plugs are required for each double crossport bar | |
| 11 | Singling Bar | Converts a "T" valve to an "S" valve | 563472 | | |
| 12 | Bypass Block | MSP Bypass Section | 562660 | | |
| 13 | Cycle Indicators and Proximity Switches | Magnetic Visual Cycle Indicator | 563251 | | |
| | | SPDT Cycle Switch, provides electrical signal to controller or PLC | 563272 | | |
| | | SPDT Cycle Switch, provides electrical signal to controller or PLC - Moisture Resistant | 563273 | | |
| | | 6 Digit Mechanical Cycle Counter | 563444 | | |
| | | Proximity Switches | See US BUYER'S GUIDE | | |
| 14 | Performance Indicators | Reset Indicator | See US BUYER'S GUIDE | | |
| | | Automatic Relief Indicator | See US BUYER'S GUIDE | | |
| | | Rupture to Atmosphere Indicator | See US BUYER'S GUIDE | | |
| | | Pressure Switches | See US BUYER'S GUIDE | | |
| | | Broken Line Indicator | See US BUYER'S GUIDE | | |
| 15 | Mounting Brackets | Choose from universal, top, or side mounting | See US BUYER'S GUIDE | | |

FEATURES AND BENEFITS

- Easy to mount without having to open up the control box
- LEDs let you know what your system is doing at a glance
- Easy to read digital display makes it simple to program and monitor your equipment
- In-cab visual and audible alarms let the operator know your equipment needs attention. Or set up a remote alarm to alert service or maintenance staff
- Simple icon based push buttons make programming easy
- Colour coded wiring harness with flying leads and easy to follow wiring diagrams makes installations efficient

AVAILABLE INPUTS

- Pressure/cycle switch
- Low level switch

AVAILABLE OUTPUTS

- Pump power control
- External alarms—both low level and pressure/cycle faults

TYPICAL APPLICATIONS

- Heavy construction, mining, other mobile on-road and off-road equipment

TECHNICAL SPECIFICATIONS

| | |
|-----------------------|--------------------------------|
| Height | 5.53 in (140 mm) |
| Width | 2.75 in (70 mm) |
| Depth | 1.38 in (35 mm) |
| Protection Grade | IP54 |
| Operating Temperature | -40°F to 176°F (-40°C to 80°C) |
| Standards | CE Marked |
| Power Source DC | 9 - 30 VDC |
| Manual | 3A2960A |

ORDERING INFORMATION

| GLC 2200 | |
|----------|--------------------------------------------------------------|
| 24N468 | GLC 2200 controller |
| 24P314 | GLC 2200 wiring harness – 5 feet (150 cm) with flying leads |
| 24W981 | GLC 2200 wiring harness – 10 feet (300 cm) with flying leads |
| 24P686 | GLC 2200 connector (1) and pins (12) |
| 24P687 | GLC 2200 connectors (5) and pins (60) |
| 16T671 | Crimper |
| 24X606 | Mounting bracket kit |
| 17G007 | Yellow iron mounting bracket with slide adjustment |



24N468

Drive More Productivity

The powerful, easy-to-use Graco GLC X automatic lubrication controller captures more information so operators, technicians and managers can make faster, smarter decisions. Paired with the intuitive Auto Lube app, users can monitor system performance and make adjustments with incredible speed, precision and freedom from their personal mobile device.

Indoor/Outdoor Mountable (IP69K)

Designed to withstand all the elements, including high-pressure washes and inclement weather encountered at the harshest and dirtiest sites.

Easy-to-Read Screen

High-contrast screen features text codes, faults and other data clearly in any ambient light without distracting operators.

Real-Time System Reporting

Program and display a wide range of customisable functions – including lubrication intervals, pressure limits, lubricant levels and more.

Smart Device and Mobile App

With the Auto Lube™ app, monitor lubrication levels, configure settings, track history and share important diagnostics.



Universal Compatibility

One controller for all your lubrication systems simplifies training and inventory.

Quick Technical Information Access

Easily scan this QR code for access to manuals, guides, video tutorials and more.



Scan Me!

Active Current Protection

9-30 VDC, 10 amp continuous power supply protects grease pumps from overcurrent and entire system from misfires, electrical shorts and surges.

TYPICAL APPLICATIONS

- Heavy construction, mining, other mobile on-road and off-road equipment

TECHNICAL SPECIFICATIONS

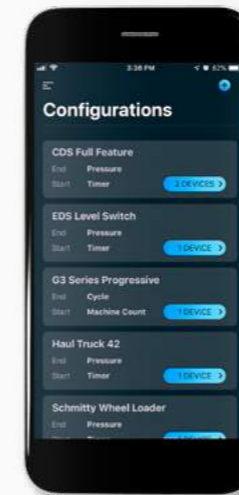
| | |
|-----------------------|---------------------------------------------------------------------|
| Inputs/Outputs | 4/2 |
| Power Source | 9-30 VDC |
| Modes | Pressure / Cycle / Timer |
| Dimensions | 3.62 in (92 mm) wide x 6.66 in (169 mm) high x 1.98 in (50 mm) deep |
| Operating Temperature | -22°F to 158°F (-30°C to 70°C) |
| Protection Grade | IP69K |
| Manual | 3A7031 |

ORDERING INFORMATION

| Controllers | |
|-------------|----------------------------------------------|
| 26A855 | GLC X controller with 20 ft (6 m) cable |
| 26A814 | GLC X controller |
| Accessories | |
| 26A853 | GLC X pump simulator |
| 26A882 | GLC X 20 ft (6 m) cable |
| 26A883 | GLC X to Compact Dyna-Star® 3 ft (1 m) cable |
| 26A888 | 14-pin mating connector kit |

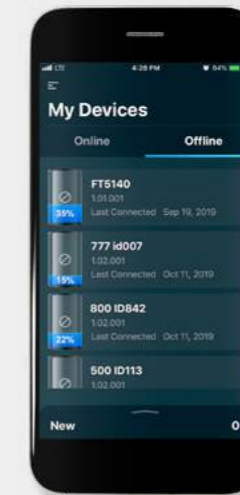
Productivity Leads to Profitability

Help your crews work faster and minimise downtime by simplifying their everyday lubrication tasks. Designed for today's modern personal mobile device user, the **Graco Auto Lube App** is intuitive and easy to learn for users in the field. They can view historical performance charts, access support and share information with a tap or swipe.



Control Lubrication Profile Configurations

- Customise profiles for equipment and end users
- Quickly and easily assign a Lube Profile Configuration with a GLCX Controller



Manage Devices

- Connect via Bluetooth to get instant status
- Review last-known state on any historical device



Communicate in Real Time

- See, control, check and clear alarms
- Complete a manual run
- Review and share system history



Workers simply have to be within Bluetooth range to perform maintenance tasks faster and easier – directly from their mobile devices.



Download the **Graco Auto Lube** app from Google Play or the App Store (iOS) and perform all controller functions from the convenience of a smartphone or tablet.



GRACO'S GOT YOU COVERED

FACILITIES WORLDWIDE FOR GLOBAL SUPPORT



Quality First

At Graco we pride ourselves on providing best-in-class products. Engineered solutions are manufactured in our own facilities, with the highest standards in the industry. We provide you with world-class customer support and expertise to help solve your lubrication challenges.



Global Reach

Graco has facilities across the globe to provide you with the products and service *you* need, where *you* live. Plus, Graco has dedicated field experts in all areas of the world to support the products we sell.



Product Capabilities

Graco has a broad range of products to provide solutions that meet your needs. Our products are engineered and tested to perform in the harshest environments so you can be certain your equipment is protected and working at peak performance.

Graco Australia Pty Ltd
Suite 17, 2 Enterprise Drive
Bundoora, VIC 3083
Australia
Tel: 61 3 9468 8500
Fax: 61 3 9468 8599
NZ Toll Free Number: 0800 472 26

3L0004ENAP-A ©2020 Graco Australia. All other brand names or marks are used for identification purposes and are trademarks of their respective owners. All written and visual data contained in this document are based on the latest product information available at the time of publication. Graco reserves the right to make changes at any time without notice. For more information on Graco's intellectual property, see www.graco.com/patent or www.graco.com/trademarks.

HOLDFAST

FLUID POWER

Forrestfield

657 Dundas Road,
Forrestfield WA 6058

P: (08) 9359 1795

F: (08) 9359 1792

E: sales@holdfastaust.com.au

Broome

10/274 Port Drive
Broome WA 6725

P: (08) 9192 6007

F: (08) 9192 6067

E: salesnw@holdfastaust.com.au

Naval Base

1/27 Dooley Street,
Naval Base WA 6165

P: (08) 9410 0716

F: (08) 9410 1152

E: sales2@holdfastaust.com.au

1300 HOLDFAST