



Automatic  
Space-Saving Door

**DORMA RST**

## Maximum passage width with minimum structural widths

DORMA RST Automatic Space-Saving Doors are designed so that the door leaves perform a swivel-and-slide motion. The associated pivot bearings are located in an eccentric arrangement above and below the passage area. As a result, the motion cycle is performed within the narrowest of spaces. DORMA RST Automatic Space-Saving Doors are supplied in standard sizes ready for installation (with installation and commissioning also available on request).

They satisfy high requirements in terms of their functional and operational reliability and – as their method of operation corresponds to that of swing doors – they can be installed in escape routes without any modification. If the operator is not switched on, the leaves can be operated manually without difficulty.



### Benefits

#### ...for the installer/fabricator

- Guaranteed state-of-the-art technology and compliant design satisfying all regulations.
- Problem-free order handling.
- Easy installation and commissioning – even when upgraded.

#### ...for the architect/specifier

- Clearly defined system responsibility.
- Satisfaction of individual requirements regarding design and scope of functions.

- Elegant, fine-frame system
- or robust aluminium frame system.

#### ...for the user

- Aesthetically, technically and economically optimised.
- “Tailored”, integrated application of exceptional industrial manufacturing quality.
- High level of safety.
- Ideal for facilitating handicapped access in entrance areas.

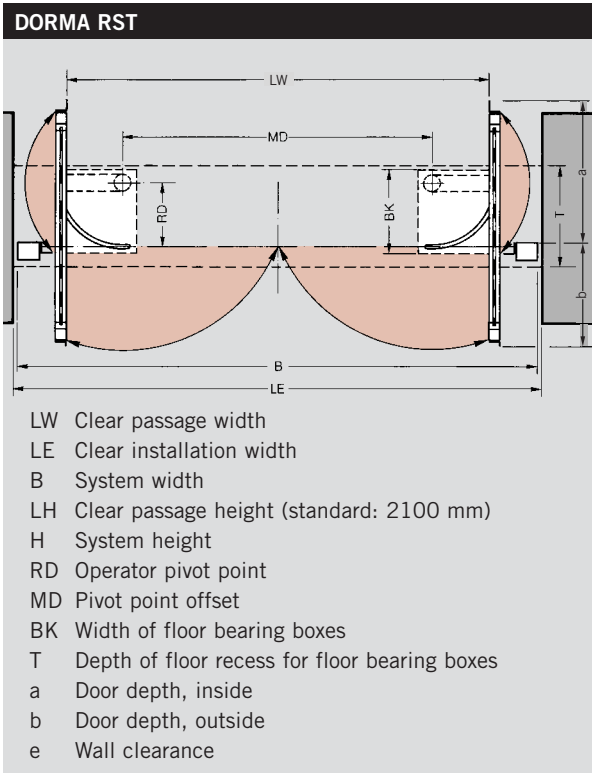
Dimensions and design		RST
Min. clear passage width in mm	double-leaf	1000
Max. clear passage width in mm	double-leaf	2000
Max. escape route width in mm		2000
Min. clear installation width (LE) in mm		1291
Clear passage height (LH), RST-G up to mm		2100
Clear passage height (LH) RST-R up to mm		2300*
Door leaf swivel action		●
Max. door leaf width in kg		60
Fanlight/Solid panel		○
Design	Fine-frame profile	■
	Frame profile	■

Operator and control unit		RST
Operator		ED 200
Control unit	Electronic	●
Programs	Off	●
	Automatic	●
	Exit Only	●
	Permanent-Open	●
Night-/Bank Function		●
Pharmacy Function		–
Airlock Function		○
Electro-mechanical locking device		○
Mechanical locking device		○
Fail-secure locking device		●
Safety sensor for the passage area		●
Activators	Radar motion detector	○
	Key switch	○

Technical data	RST
Suitable for application in escape routes	●
Opening and closing force in N	< 150
Opening speed in cm/sec. per door leaf, max.	6
Closing speed in cm/sec. per door leaf, max.	6
Backcheck and delayed action, adjustable	●
Hold-open time in sec., max.	60
Power supply for activator/ Auxiliary devices in V/mA	12/24 AC, 24 DC 560 mA
Power consumption in W, max.	250
Supply voltage in V/Hz	220 – 240/50 – 60

● yes – no ○ option ■ alternative

\* up to 2500 on demand



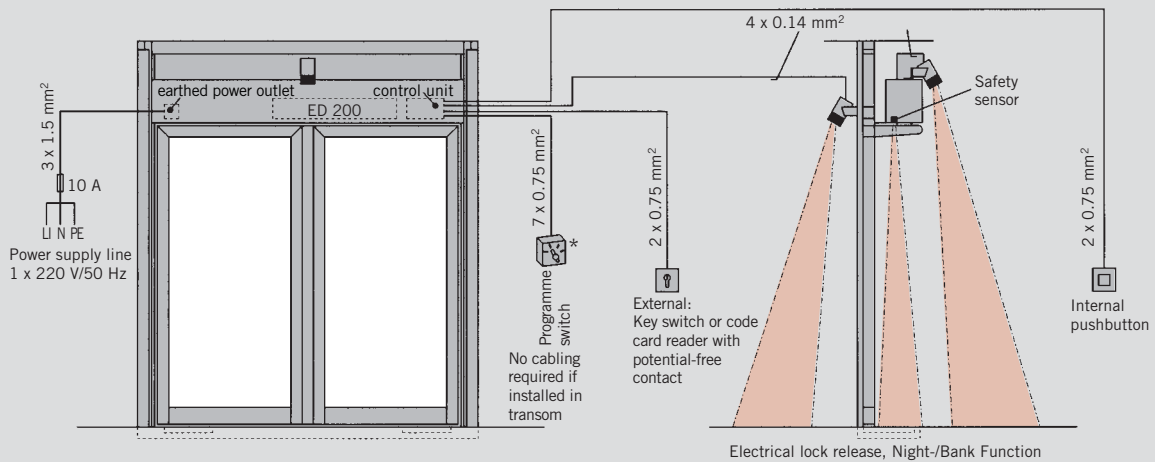
**Mechanical design and scope of supply**

- ① Self-supporting steel structure with aluminium cover for compensation of structural tolerances
- ② Fully covered operator with integrated electronic control unit
- ③ Door leaf with toughened (TSG) or laminated (LSG) safety glass
- ④ Low-height floor boxes in galvanised steel box with stainless-steel cover

**Connection diagram**

\*Where an external program switch is provided, the interconnecting cable cross section must be increased to 1.5 mm<sup>2</sup> for cable lengths in excess of 10 m (max. cable length 50 m)

Locking options: Electrical – transom-integrated unit  
 Mechanical – via profile Eurocylinder  
 Floor or door center



## Attractive appearance and excellent service benefits within a minimum space requirement

The door leaves of DORMA RST Automatic Space-Saving Doors operate within the tightest of spaces. Just a hand's width of clearance to the wall is sufficient for the

support structure and the open door leaves. And even at its apex, the arc described by the door leaf only extends a few centimetres beyond the door front.

Installation is no problem – a width of just 1.3 metres is sufficient in order to enjoy all the convenience of this contemporary application. And a 2.0 m clear passage

width within an installation width of less than 2.5 m – for example – illustrates the virtually unbeatable compactness offered by the RST.

### DORMA RST-G

#### The elegant application with all-glass look

The fine-frame system G developed by DORMA gives RST Automatic Space-Saving Doors the appearance of fully glazed doors. It also provides an optimum seal and effective protection of

the glass edges. DORMA RST-G Automatic Space-Saving Doors are thus the perfect answer wherever maximum light admittance and transparency are required in conjunction with exceptional architectural elegance.



The optimum addition to elegant interiors: DORMA RST-G Automatic Space-Saving Doors with the slender fine-frame system.

### DORMA RST-R

#### The robust solution for heavy-duty applications

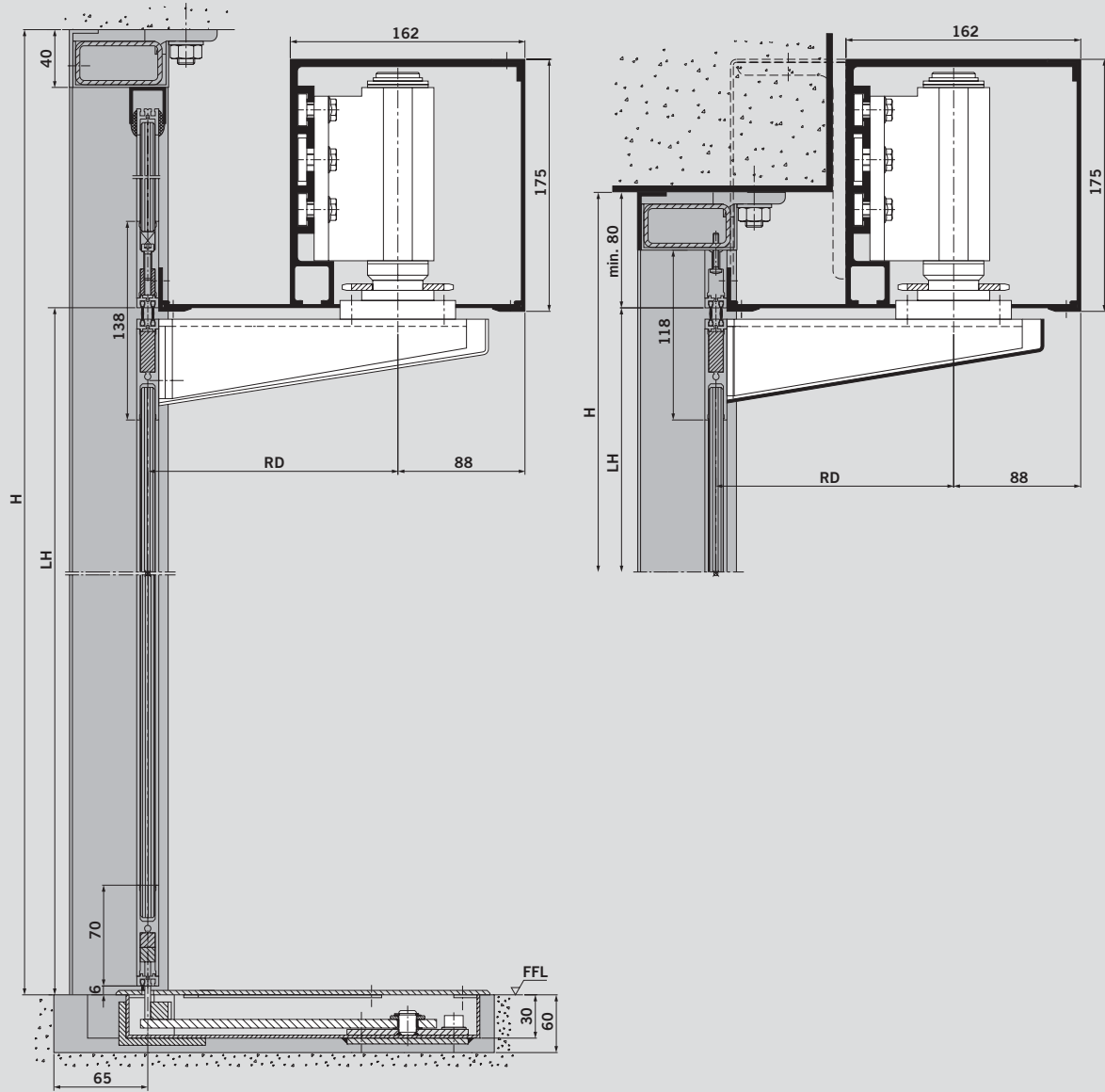
The specially developed profiles of this system provide DORMA RST-R Automatic Space-Saving Doors with exceptional stability, torsional rigidity, seal performance and security.

These solid frames emphasise the barrier function of the door and are particularly recommended for high-frequency entrances and interior doors subject to heavy-duty use.



Capable of coping with all comings and goings: DORMA RST-R Automatic Space-Saving Doors with the rugged R aluminium frame system

Vertical section through a DORMA RST-G



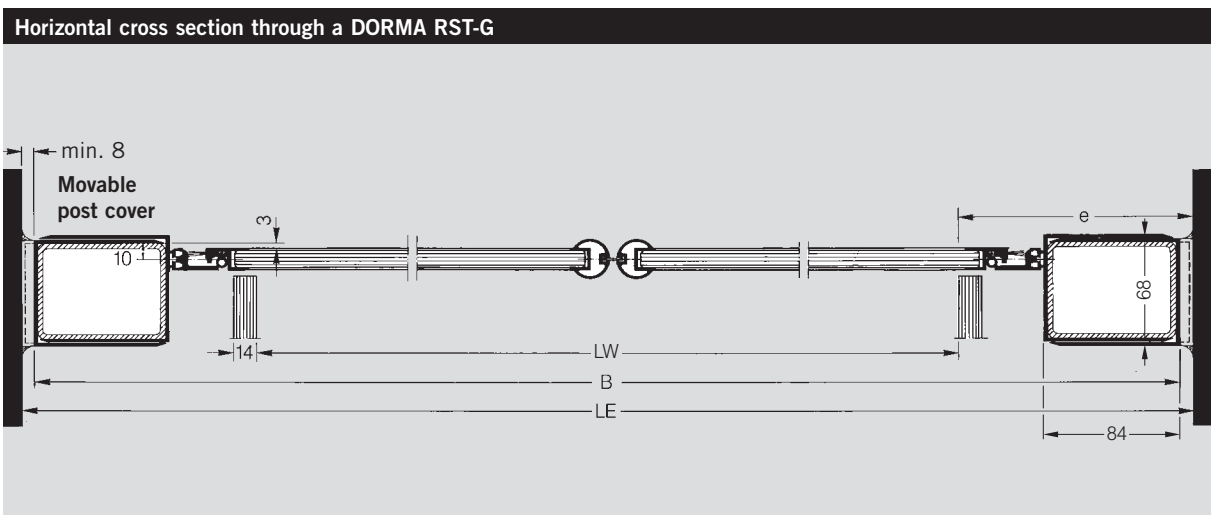
Standard installation  
with fanlight

Lintel-mounting  
without fanlight

H System height  
 LH Clear passage height (standard: 2100 mm)  
 RD Operator pivot point

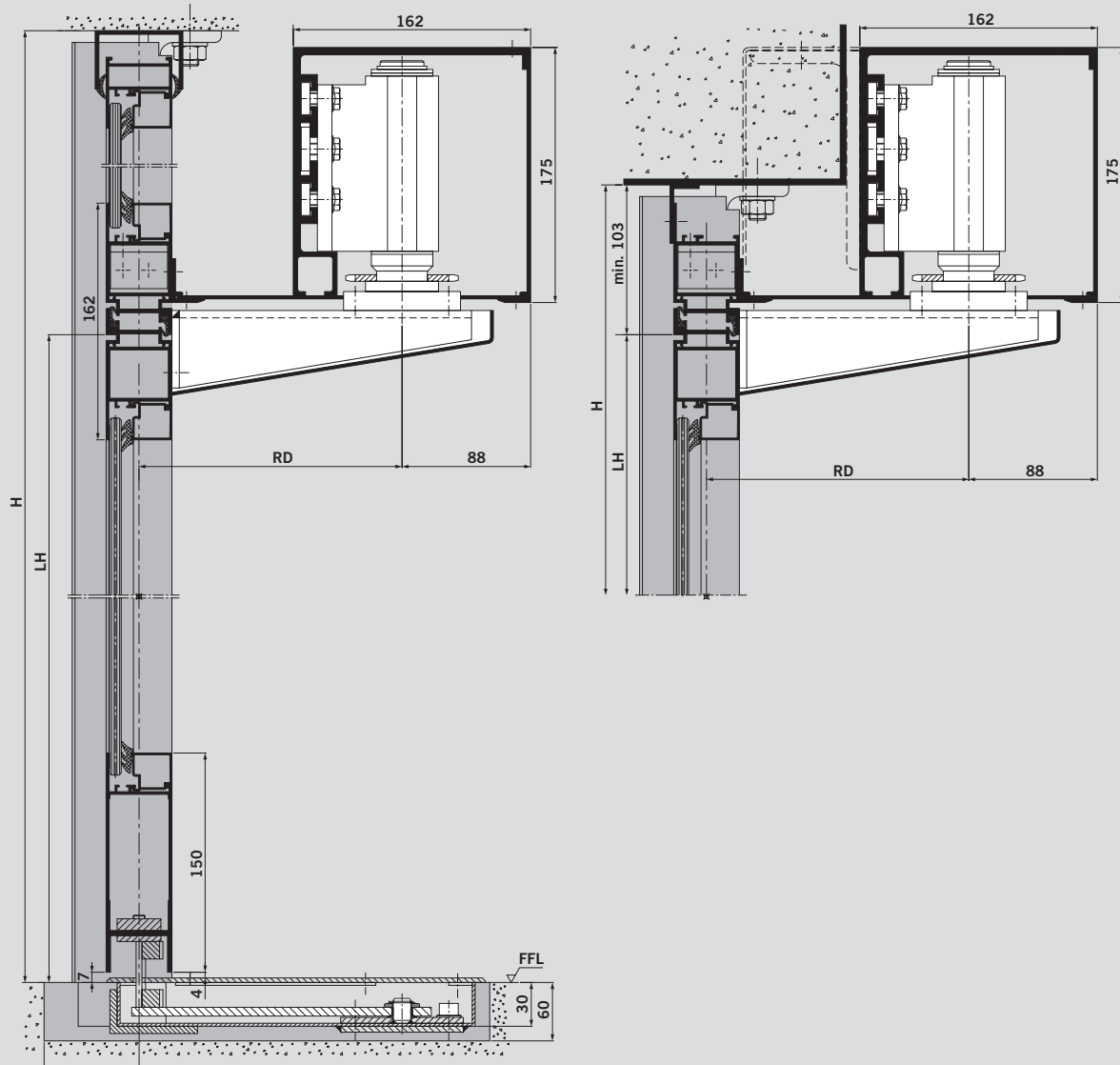
DORMA RST-G standard design												
Model size	01	02	03	04	05	06	07	08	09	10	11	
<b>LW</b>	1000	1100	1200	1300	1400	1500	1600	1700	1800	1900	2000	
<b>LE min.</b>	1291	1391	1491	1591	1691	1791	1891	1991	2135	2235	2335	
<b>B</b>	1275	1375	1475	1575	1675	1775	1875	1975	2075	2175	2275	
<b>RD</b>	180			240					300			
<b>MD</b>	654	754	854	834	934	1034	1134	1234	1214	1314	1414	
<b>BK</b>	250			310					370			
<b>T</b>	310			370					430			
<b>a</b>	384			504					624			
<b>b</b>	147	197	247	177	227	277	327	377	307	357	407	
<b>e min.</b>	148								170			

All dimensions in mm



- LW Clear passage width
- LE Clear installation width
- B System width
- RD Operator pivot point
- MD Pivot point offset
- BK Width of floor bearing boxes
- T Depth of floor recess for floor bearing boxes
- a Door depth, inside
- b Door depth, outside
- e Wall clearance

Vertical section through a DORMA RST-R



Standard installation  
with fanlight

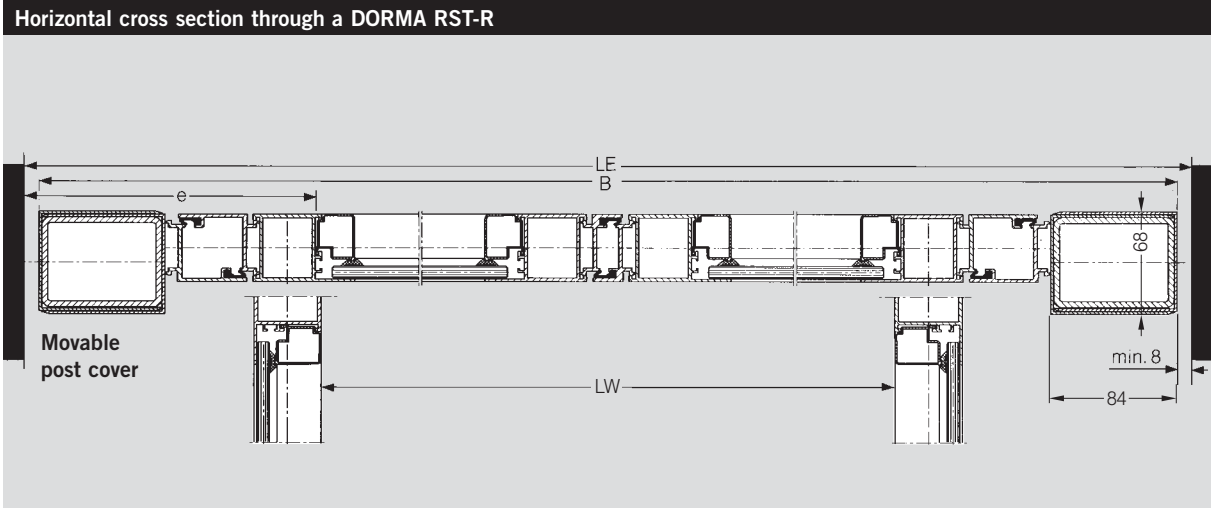
Lintel-mounting  
without fanlight

- H System height
- LH Clear passage height (standard: 2100 mm)
- RD Operator pivot point



DORMA RST-R standard design												
Model size	01	02	03	04	05	06	07	08	09	10	11	
<b>LW</b>	1000	1100	1200	1300	1400	1500	1600	1700	1800	1900	2000	
<b>LE min.</b>	1391	1491	1591	1691	1791	1891	1991	2091	2231	2231	2431	
<b>B</b>	1375	1475	1575	1675	1775	1875	1975	2075	2175	2275	2375	
<b>RD</b>	180			240					300			
<b>MD</b>	685	785	885	865	965	1065	1165	1265	1245	1345	1445	
<b>BK</b>	250			310					370			
<b>T</b>	310			370					430			
<b>a</b>	432,5			552,5					672,5			
<b>b</b>	171,5	221,5	271,5	201,5	251,5	301,5	351,5	401,5	331,5	381,5	431,5	
<b>e min.</b>	194,5								207,5			

All dimensions in mm



- LW Clear passage width
- LE Clear installation width
- B System width
- RD Operator pivot point
- MD Pivot point offset
- BK Width of floor bearing boxes
- T Depth of floor recess for floor bearing boxes
- a Door depth, inside
- b Door depth, outside
- e Wall clearance

## Specification text



RST

**DORMA RST**

**Automatic Space-Saving Door.** Door leaves mounted in floor box. Electro-hydraulic low-vibration and low-noise drive unit with electronic control unit. Drive unit including cover made of light alloy. With integrated safety monitoring of the passage area. With all-round steel tube construction and light alloy cover. Swivel-mounted door leaves in the escape direction. Suitable for application in emergency exits and escape routes. Program modes: Off, Exit Only, Permanent Open, Automatic, Night-/Bank Function.

Manufactured in accordance with the German guidelines for power-operated windows, doors and gates, ZH 1/494, German UVV (accident prevention) regulations and VDE (German Association of Engineers) standards (latest edition in each case). Manufactured on the basis of a quality management system registered to ISO 9000. Power supply: 230 V AC, 50 Hz.

**Profiles and glazing:**

- Fine-frame profile systems G with glazing of 10 mm toughened safety glass, (fanlight: 10 mm float glass)
- Frame profiles R with glazing of 8 mm laminated safety glass (standard)
- Frame profiles R with special glazing (max. glass thickness 32 mm): .....

**System configuration:**

- Double-leaf
- Single-leaf
- With fanlight

**Dimensions:**

- Clear passage width LW = ... mm
- Clear passage height LH = ... mm
- Total system width B = ... mm
- Total system height H = ... mm

**Activators:**

- Radar motion detectors, standard       Internal     External
- Radar motion detectors, direction-sensitive       Internal     External
- Other activators (e.g. pushbuttons): .....

**Locking device:**

- Electro-mechanical locking device with internal manual lock release
- Floor lock (not for Escape Route Function)
- Without locking device

**Lockable program switches:**

- External installation, flush-mounting
- External installation, surface-mounting
- Installation in operator

**The use of an emergency pushbutton (Emergency Off) is not required.**

**Finish for aluminium parts:**

- Silver, anodised finish E6/CO (standard)
- RAL .....
- Special colour: .....

**Further options:**

- Module for connection to EIB building control system
- Emergency power supply unit (UPS)

**Make:** DORMA RST or equivalent



## Automatic Division worldwide

**DORMA GmbH + Co. KG**  
 Breckerfelder Str. 42-48  
 D-58256 Ennepetal  
 Phone +49 23 33/793-0  
 Fax +49 23 33/793-495

### Region Australia

AUS, NZ

Australia  
 DORMA BWN Automatics Pty. Ltd.  
 Phone +61 3 97964111  
 www.dorma.com.au

New Zealand  
 DORMA BWN Automatics Pty. Ltd.  
 Phone +61 3 97964111  
 www.dorma.com.au

### Region Central Europe

D, NL, B, LX, CH

Germany  
 Automatic D  
 Phone +49 2333 793-0  
 www.dorma.de

Netherlands  
 DORMA van Duin Nederland BV  
 Phone +31 488 418 100  
 www.dorma.nl

Belgium  
 DORMA foquin N.V./S.A.  
 Phone +32 50 312849  
 www.dorma.be

Luxembourg  
 Luxembourg Subsidiary Automatic  
 Phone +49 2333 793-216  
 www.dorma.de

Switzerland  
 DORMA Schweiz AG  
 Phone +41 71 8864646  
 www.dorma.ch

### Region Emerging Markets

P, RUS, UA, BG, GR, TR, IND, IL, RSA

Poland  
 DORMA Polska Sp. z o.o.  
 Phone +48 22 736-59-00  
 www.dorma.pl

Russia  
 Representative Office in Russia  
 Phone +7 095 2581225  
 www.dorma.com

Ukraine  
 DORMA Representation Ukraine  
 Phone +380 44 2443897  
 www.dorma.com

Bulgaria  
 DORMA Bulgaria  
 Phone +359 2 9714 904  
 www.dorma.com

Greece  
 DORMA Representation Greece  
 Phone: +30 21 09944388  
 www.dorma.com

Turkey  
 DORMA Kapi Kontrolleri Ltd. Sti  
 Phone: +90 216 3600056  
 www.dorma.com

India  
 DORMA Door Controls India  
 Phone +91 442 8585097  
 www.dorma.com

Israel  
 DORMA GmbH + Co. KG  
 Phone +49 2333 793-0  
 www.dorma.com

South Africa  
 DORMA Door Controls (Pty.) Ltd  
 Phone +27 11 8300280  
 www.dorma.com

**Region Far East**  
 SGP, HK, VRC, RC, MAL, RI, RP,  
 ROK, VN, J

Singapore  
 DORMA Far East Pte. Ltd.  
 No. 31 Gul Lane  
 Phone +65 62 68 76 33  
 www.dorma.com.sg

Hong Kong  
 DORMA Door Controls Pte. Ltd.  
 Phone +852 25034632  
 www.dorma.com.sg

China  
 DORMA Door Controls (Suzhou)  
 Co. Ltd.  
 Phone +86 512 676 12481  
 www.dorma.com.sg

Taiwan  
 DORMA Door Controls Pte. Ltd.  
 Phone +886 2 9182987  
 www.dorma.com.sg

Malaysia  
 DORMA Emerald Entrance Systems  
 Pte Ltd  
 Phone +65 459 5733  
 www.dorma.com.sg

Indonesia  
 DORMA Emerald Entrance Systems  
 Pte Ltd  
 Phone +65 459 5733  
 www.dorma.com.sg

South Korea  
 DORMA Emerald Entrance Systems  
 Pte Ltd  
 Phone +65 459 5733  
 www.dorma.com.sg

Philippines  
 DORMA Door Controls Pte. Ltd.  
 Phone +632 893 40778  
 www.dorma.com.sg

Vietnam  
 DORMA Emerald Entrance Systems  
 Pte Ltd  
 Phone +65 459 5733  
 www.dorma.com.sg

Japan  
 DORMA Emerald Entrance Systems  
 Pte Ltd  
 Phone +65 459 5733  
 www.dorma.com.sg

### Region France

France  
 DORMA Accueil S. A. S.  
 Phone +33 4 79348924  
 www.dorma.fr

### Region Gulf

Saudi Arabia, Bahrain, Kuwait,  
 Egypt, Syria, Jordan, Lebanon, Iran  
 DORMA ARABIA  
 Automatic Doors Ltd.  
 Kingdom of Saudi Arabia  
 Phone +966 3 847 2394  
 www.dorma.com

United Arab Emirates, Oman, Qatar  
 DORMA Middle East LLC  
 Dubai  
 Phone +971 4 282 4424  
 www.dorma.com

### Region North America

USA, CDN, MEX  
 USA  
 DORMA Automatics Inc.  
 Phone +1 301 390-3600  
 www.dorma-usa.com

Canada  
 DORMA Door Controls  
 Phone +1 905 6701281  
 www.dorma.com

Mexico  
 DORMA México, S. de R.L. de C.V.  
 Phone +52 55 5272 6937  
 www.dorma.com

### Region Scanbalt

N, S, DK, FIN, LV, EST, LT

Norway  
 DORMA Norge A/S  
 Phone +47 23 176800  
 www.dorma.no

Sweden  
 DORMA Sverige AB  
 Phone +46 31 289520  
 www.dorma.se

Denmark  
 DORMA Danmark A/S  
 Phone +45 44 543000  
 www.dorma.dk

Finland  
 DORMA Finland Oy  
 Phone +358 9 8789130  
 www.dorma.fi

Latvia  
 DORMA Finland Oy  
 Phone +358 9 8789130  
 www.dorma.fi

Estonia  
 DORMA Representation Estonia  
 Phone +372 6707064  
 www.dorma.com

Lithuania  
 DORMA Norge AS  
 Phone +47 23 176800  
 www.dorma.com

### Region South America

BR, RA

Brazil  
 DORMA Sistemas de Controles  
 Phone +55 11 41913244  
 www.dorma.com.br

Argentina  
 DORMA Sistemas de  
 Controles para Portas Ltda  
 Phone +54 11 45051032  
 www.dorma.com

### Region South-East Europe

A, H, CZ, CS, HR, SLO, RO

Austria  
 DORMA AKS Automatic GmbH  
 Phone +43 6225 8636-0  
 www.dorma.at

Hungary  
 DORMA AKS Automatic GmbH  
 Phone +36 1 2065127 or 2058058  
 www.dorma.com

Czech Republic  
 DORMA dverní technika CR, s.r.o.  
 Phone +420 2 671321-78 or -79  
 www.dorma.com

Slovakia  
 DORMA Slovensko spol. s.r.o.  
 Phone +421 2 50221 283  
 www.dorma.com

Croatia  
 DORMA URED  
 Phone +385 1 3498 422  
 www.dorma.com

Slovenia  
 DORMA Representation Slovenia  
 Phone +386 2 5 30 20 10  
 www.dorma.com

Romania  
 DORMA Representation Romania  
 Phone +40 2 13 30 05 68  
 www.dorma.com

### Region South Europe

I, E, P

Italy  
 DORMA Italiana S.r.l.  
 Phone: +39 039 244031  
 www.dorma.it

Spain  
 DORMA Ibérica, S.A.  
 Phone +34 91 8757851  
 www.dorma.es

Portugal  
 DORMA Portugal para Portas, Lda.  
 Phone +351 252 860 490  
 www.dorma.com

### Region UK/Ireland

GB, IRL

Great Britain  
 DORMA UK Limited  
 Phone +44 1462 477600  
 www.dorma-uk.co.uk

Ireland  
 DORMA Ireland Limited  
 Phone +353 1 295 8280  
 www.dorma.com

www.dorma.com

Door Control

Automatic

Glass  
 Fittings and  
 Accessories

Security/  
 Time and  
 Access (STA)

Movable  
 Walls