

# AVENTOS HF

## Wood / wide aluminum hardware set

### Package contents

A Top door hinge



E Bottom door hinge



B Mounting plate



F Telescopic arm mounting plate



C Top door hinge



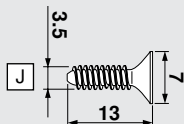
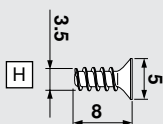
G Telescopic arm mounting plate with bracket



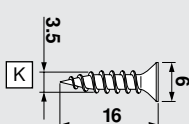
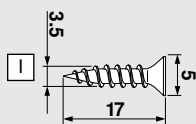
D Mounting plate



### Aluminum screws



### Wood screws



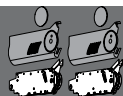
- A 2 each 70T5580 top door hinge
- B 2 each 175H6000 top door mounting plate
- C 2 each 32.4630 top door hinge
- D 2 each 130.1130.02 (1-1/4") top door mnt. plate
- E 2 each 78Z5530T bottom door hinge
- B 2 each 175H6000 bottom door mounting plate
- F 2 each 175H5100.05 Telescopic arm mtg. plate
- G 2 each 175H5F00 Tele. arm plate with bracket
- H 6 each 606.080 alum. screw for 175H5100.05
- I 6 each 629.170 wood screw for 175H5100.05
- J 18 each 7072A alum. screw for hinge & plate
- K 22 each 606P wood screw for hinge & plate

Part no.

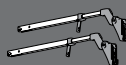
Hardware set

**78Z5530TA4**

## Also required (sold separately)



Lift mechanism set



Telescopic arm set

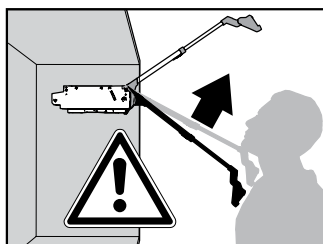
Set includes:

- 2 x Lift mechanisms
- 2 x Cover plates (right and left)
- 2 x Cover caps
- 10 x #7x35mm (1-3/8") wood screws

Set includes:

- 2 x Telescopic arms

# Assembly



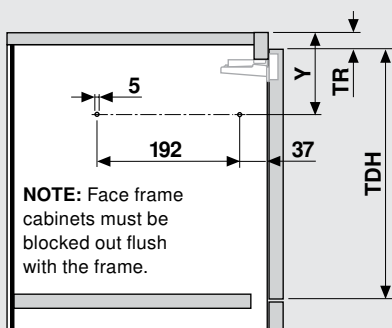
## WARNING

Risk of injury from spring-loaded arm

- Do not push lever arm down or leave in the down position
- Remove mechanism before installing or removing cabinet

### 1 Locating pin locations

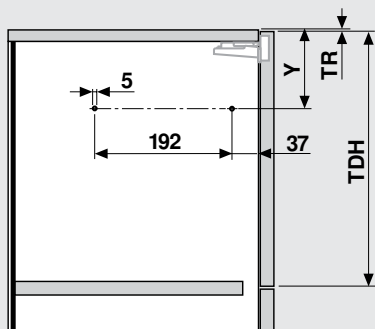
#### Face frame



Top door height (TDH)	Y
231 to 271	$TDH \times .6 - 28 + TR$
272 to 531	$TDH \times .6 - 57 + TR$

TR = Top reveal  
TDH = Top door ht.

#### Panel



Top door height (TDH)	Y
231 to 271	$TDH \times .6 - 28 + TR$
272 to 531	$TDH \times .6 - 57 + TR$

TR = Top reveal  
TDH = Top door ht.

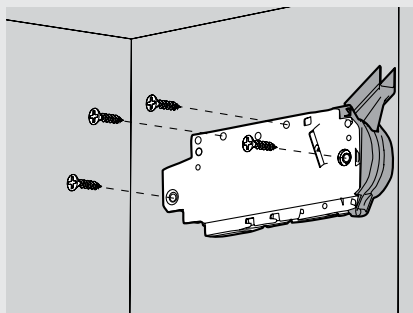
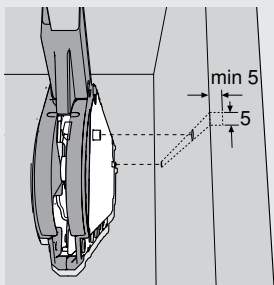
Use the AVENTOS template to prebore the 5mm locating pin holes for the AVENTOS HF lift mechanism.

AVENTOS boring template

Part no.  
**65.5020**

## 2 Attaching the lift mechanism

Align the lift mechanism in the cabinet using the 5mm locator pins and attach the mechanism with the four mounting screws provided.



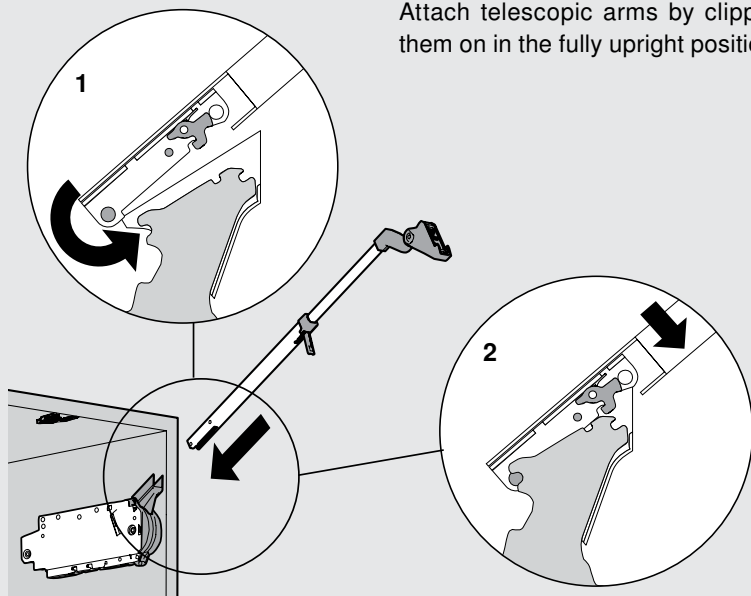
4 x wood screws #7 x 35mm (1-3/8")

## 3 Attach the telescopic arms



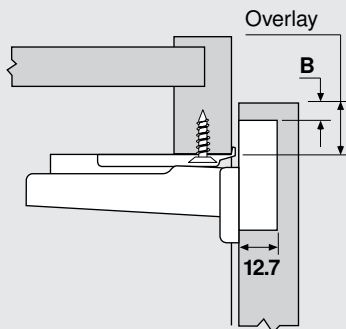
**WARNING: Risk of injury from spring loaded arm.**

Attach telescopic arms by clipping them on in the fully upright position.



# Assembly

## 5 Small overlay top door hinge planning CLIP top hinges

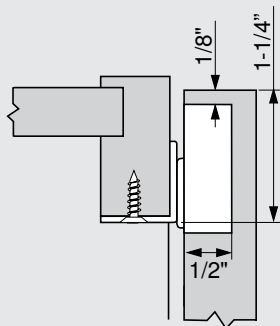


Overlay table				
13*	14	15	16	17
3	3	4	5	6
B Bore distance				

\* Bore at 3 then adjust 1.

	Part no.
CLIP top hinge	<b>70T5580</b>
Mounting plate	<b>175H6000</b>

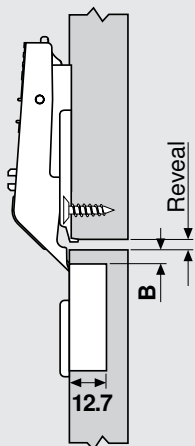
## 6 Large overlay top door hinge planning COMPACT hinges



Overlay table
1-1/4"
3 Bore distance

	Part no.
COMPACT hinge	<b>32.4630</b>
Mounting plate	<b>130.1130.02</b>

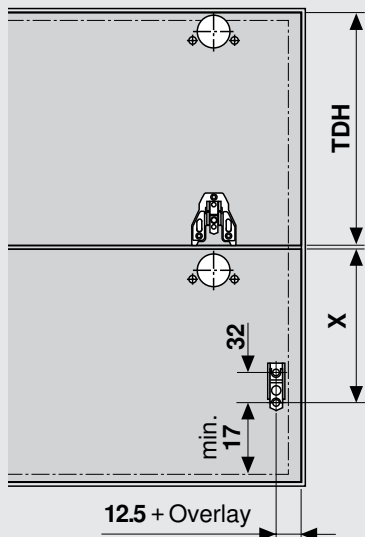
## 7 Bottom door hinge planning



Reveal table			
6	5	4	3
3	4	5	6
B Bore distance			

	Part no.
CLIP top hinge	<b>78Z5530T</b>
Mounting plate	<b>175H6000</b>

## 8a Attaching the telescopic arm mounting plates



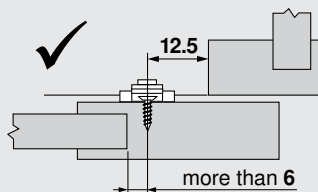
Top door height (TDH)	X
231 to 271	TDH x .5 + 70
272 to 531	TDH x .5 + 47

**NOTE:** See page 6 for 5-panel door mounting specifications

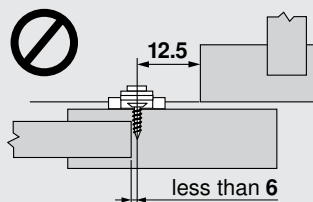
	Part no.
Telescopic arm mounting plate	<b>175H5100.05</b>

## 8b Attaching the telescopic arm mounting plate with bracket for 5-panel doors

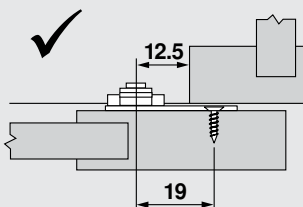
Standard mounting plate works



Standard mounting plate does not work



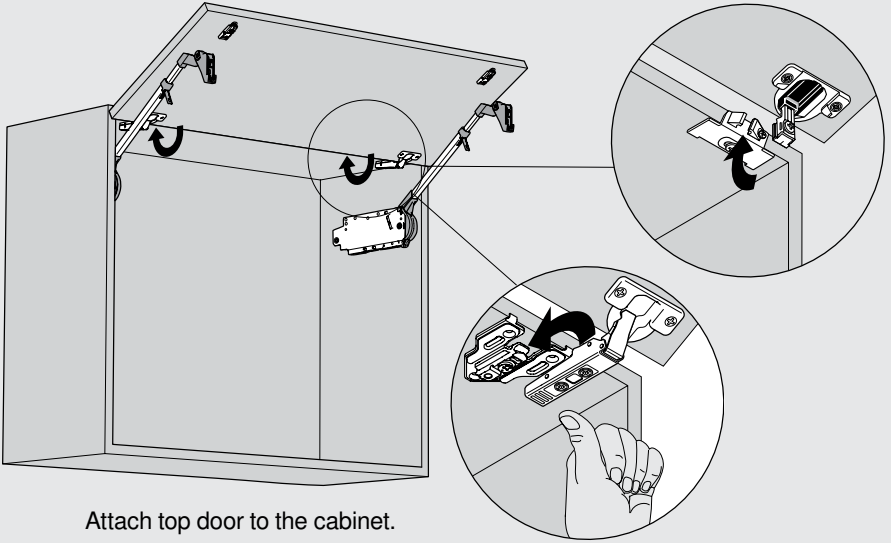
Use mounting plate with bracket when panel is < 6mm from screw



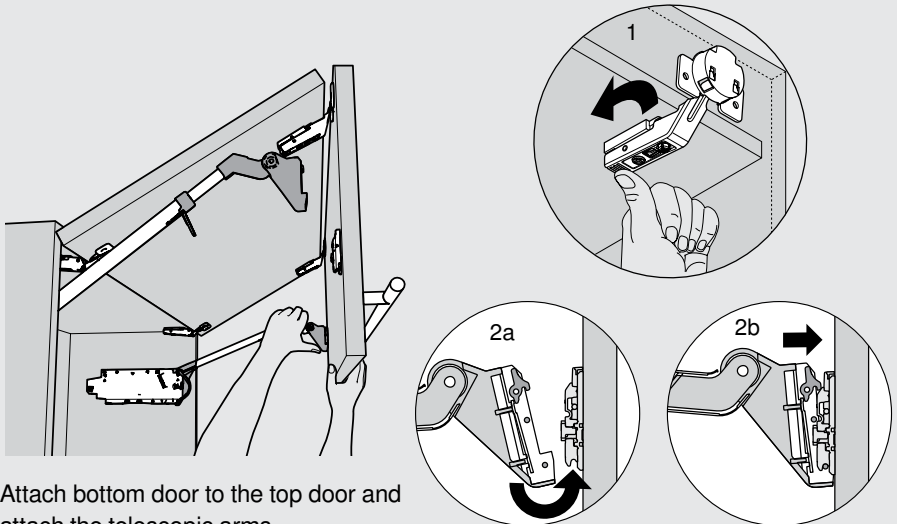
Telescopic arm mounting plate with bracket

Part no.

**175H5F00**

**9****Attach the top door**

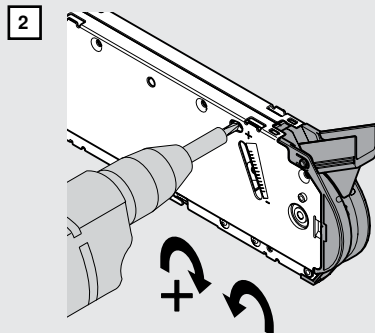
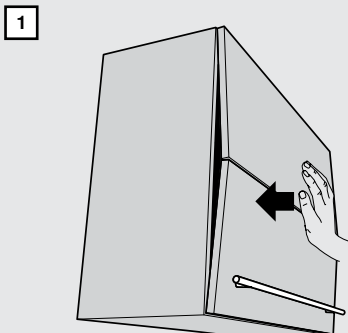
Attach top door to the cabinet.

**10****Attach the bottom door**

Attach bottom door to the top door and attach the telescopic arms.

# Assembly

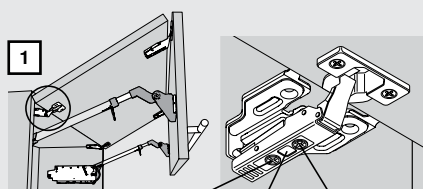
## 11 Adjust tension of the mechanism



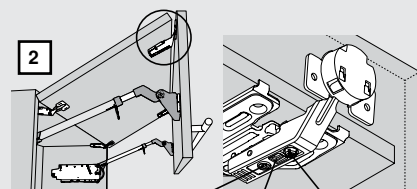
Close and flush doors to cabinet. Open and close door to test closing force. Use a screw gun and the supplied #2x2 POZI driver bit to adjust the lift mechanism to the desired tension. Test door again and repeat until desired function is achieved.

Tension adjustment should be the same on both lift mechanisms.

## 12 Finalizing the door adjustments



± 3 mm      ± 2 mm      + 3/- 2 mm



± 2.5 mm      ± 2 mm      ± 2 mm

1. Adjust each top door hinge and mounting plate to properly align the top door to the cabinet.

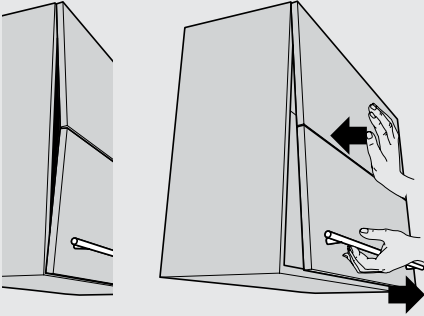
2. Adjust each bottom door hinge and mounting plate to properly align doors to the cabinet and to the top door.

Although not illustrated here, telescopic arm mounting plates can also be adjusted horizontally  $\pm 2$  mm if needed.



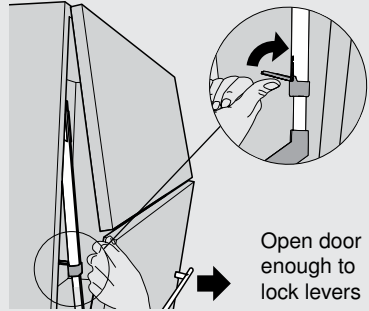
## 13 Adjust and lock telescopic arms

1



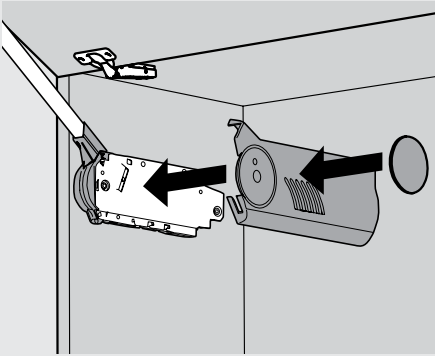
1. Close and flush doors to cabinet. While pressing on the top door, pull the bottom door open one inch.

2



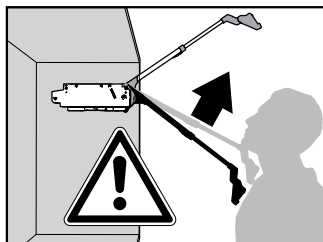
2. Slightly open door and lock the telescopic arms into position using the levers as shown.

## 14 Attach covers



Attach the left and right cover plates to each lift mechanism then attach the symmetrical cover caps.

# Removal

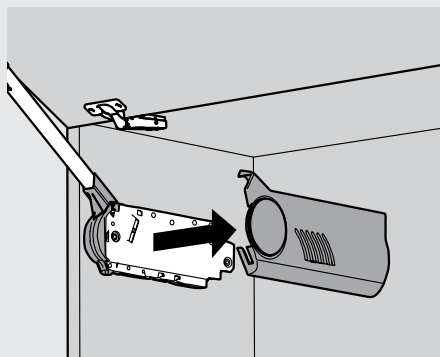


## WARNING

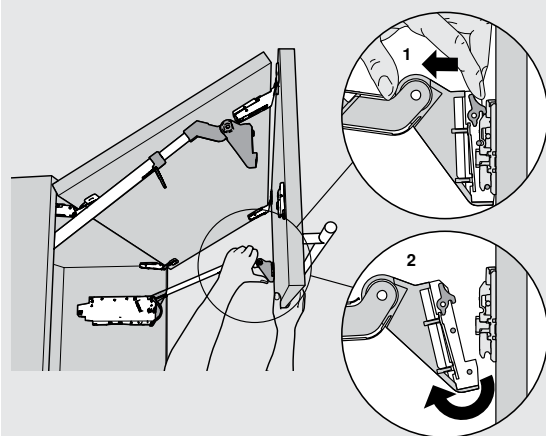
Risk of injury from spring-loaded arm

- Do not push lever arm down or leave in the down position
- Remove mechanism before installing or removing cabinet

### 1 Remove covers



### 2 Detaching the telescopic arms



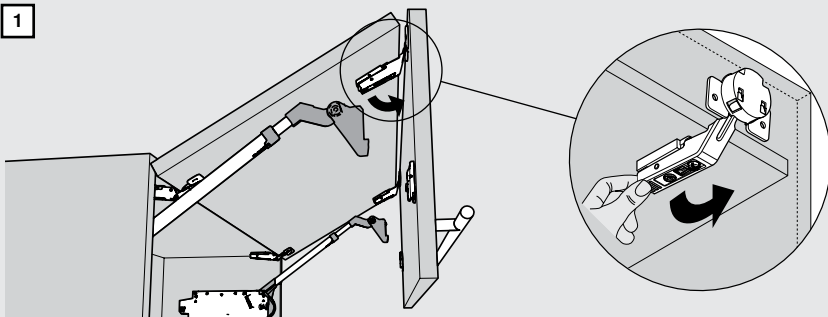
**Warning: Risk of injury from spring-loaded telescopic arm!**

Maintain control of telescopic arm while releasing the CLIP mechanism.

Release both arms and gently rest the top door on the loose arms. The tension will hold the doors up for the next step.

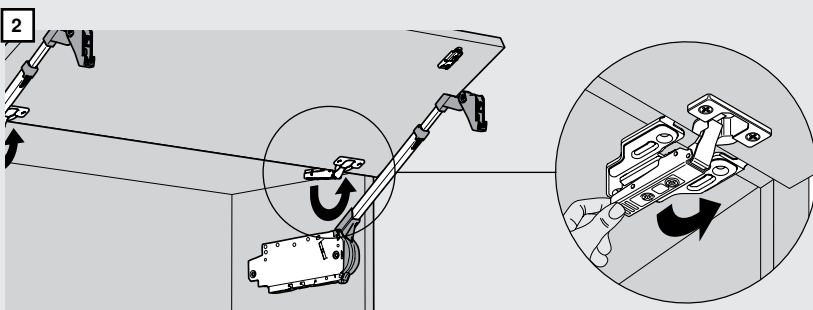
### 3 Removing the doors

1



1. Hold the bottom door while unclipping the bottom hinges.

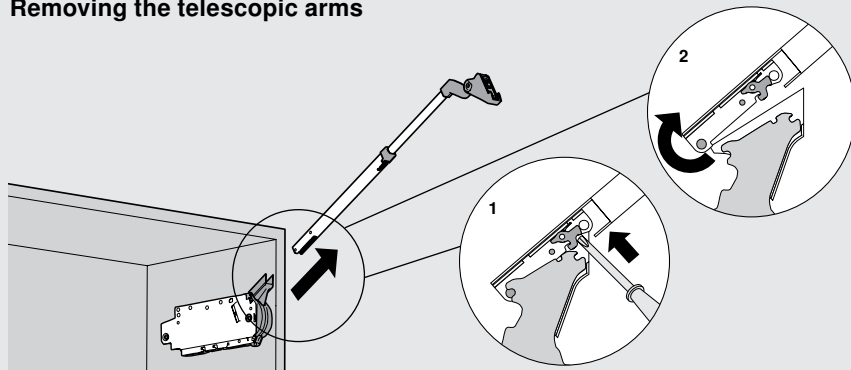
2



2. Hold the top door while detaching the top hinges. Simply unclip them if using

the CLIP top hinges or loosen them if using COMPACT.

### 4 Removing the telescopic arms

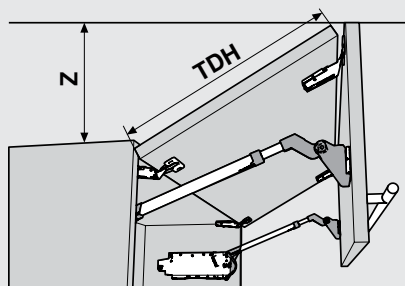


Using a screwdriver, depress the release tabs to remove telescopic arms.

If transporting the cabinet to the jobsite, stop here. Lift mechanisms stay inside the cabinet for easy transport.

# Other information

## Door clearance above cabinet



$$Z = TDH \times .44 + 23$$

	Inch	mm	
	1/32	.031	1
	1/16	.063	1.5
	3/32	.094	2
	1/8	.125	3
	5/32	.156	4
	3/16	.188	5
	7/32	.219	5.5
	1/4	.25	6
	9/32	.281	7
	5/16	.313	8
	11/32	.344	9
	3/8	.375	9.5
	13/32	.406	10
	7/16	.438	11
	15/32	.469	12
	1/2	.5	13
	17/32	.531	13.5
	9/16	.563	14
	19/32	.594	15
	5/8	.625	16
	21/32	.656	17
	11/16	.688	17.5
	23/32	.719	18
	3/4	.75	19
	25/32	.781	20
	13/16	.813	20.5
	27/32	.844	21
	7/8	.875	22
	29/32	.906	23
	15/16	.938	24
	31/32	.969	24.5
	1	1	25.4

**Blum, Inc.**  
 7733 Old Plank Rd.  
 Stanley, NC 28164  
 toll free 800-438-6788  
 local 704-827-1345  
 fax 704-827-0799  
 internet [www.blum.com](http://www.blum.com)  
[www.dynamicspace.us](http://www.dynamicspace.us)

