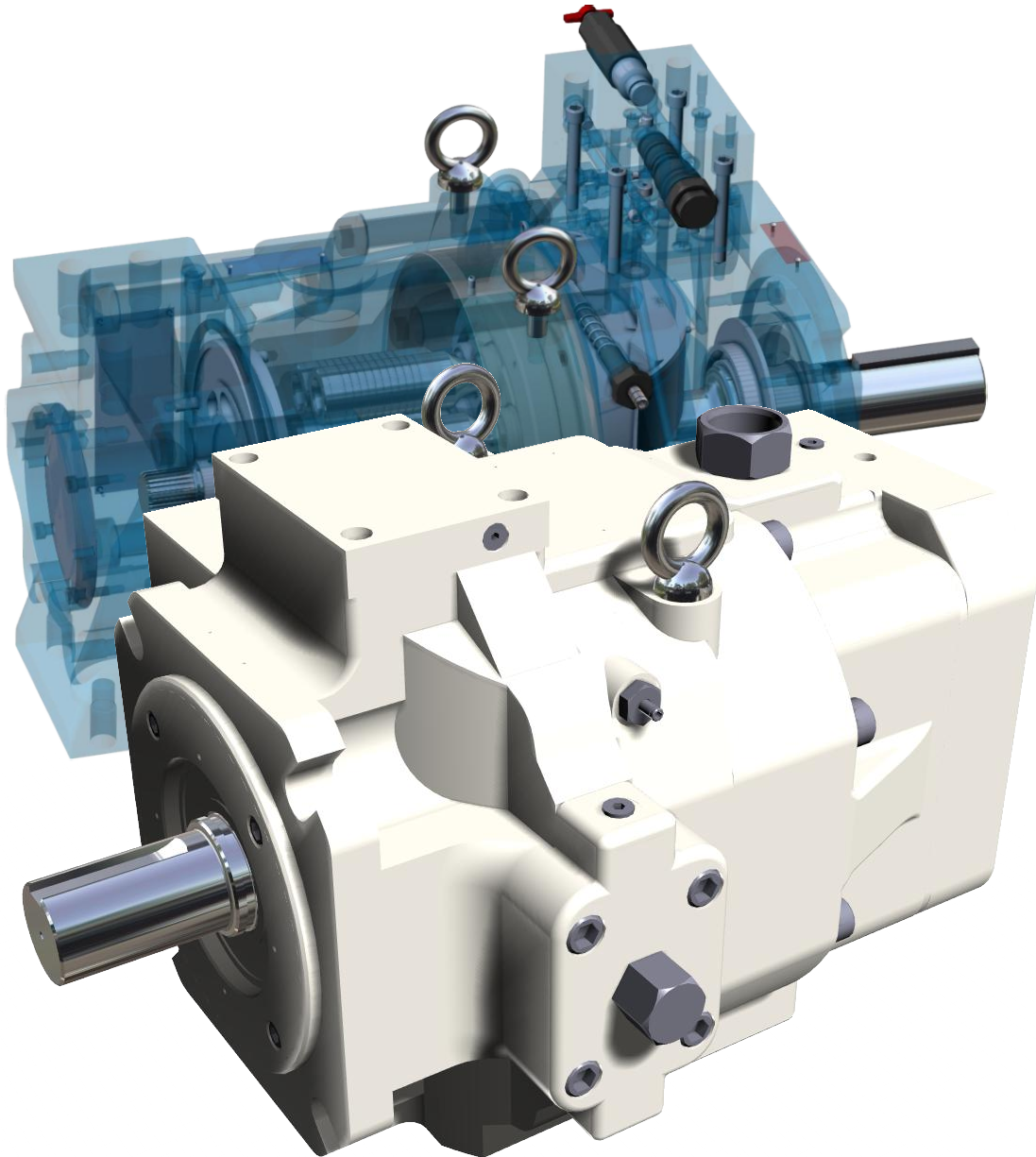


# Axial Piston Pumps



**OILGEAR**  
BEST UNDER PRESSURE

## Standard With Every Oilgear Component

**Every** Oilgear product is shipped to you with our Performance Assurance — a corporate commitment to stay with your installation until our equipment performs as specified.

Hydraulic equipment and systems have been Oilgear's primary business since 1921. For decades, we have developed hydraulic techniques to meet the unique needs and unusual fluid power problems of machinery builders and users worldwide, matching fluid power systems to a tremendous range of applications and industries.

Our exclusive Performance Assurance program is built upon that strong foundation.

As a customer, you also benefit from access to Oilgear's impressive technical support network.

You'll find factory trained and field-experienced application engineers on staff at every Oilgear facility. They are backed by headquarters staff who can access the records and knowledge learned from decades of solving the most difficult hydraulic challenges.

When your design or purchase is complete, our service is just beginning. If you ever need us, our Oilgear engineers will be there, ready to help you with the education, field service, parts and repairs to assure that your installation runs smoothly — and keeps right on running.

## Online Pump Configurator

available on  
**OILGEAR.COM**



## Contents

pump	page
PVWJ	3
PVWW	4
PVWC	5
PVG	6
PVV	7
PFBA	8
PFBK	8
PFCM	9
PFCS	9
Controls	10
Pumps at a glance	11

Copyright 2016 - Oilgear Towler GmbH - All Rights Reserved

LOW HORSEPOWER, OPEN LOOP,  
AXIAL PISTON PUMP FOR HIGH  
PERFORMANCE APPLICATIONS.

# PVWJ

- Multiple Frame Sizes Available
- Multiple Displacements, Each Frame Size
- Six Controls
- Controls Readily Interchanged
- Proven Rotating Group Design
- Rugged Cylinder Design
- Hardened Cylinder on Hardened Valve Plate
- Cylinder Mounted in Polymerous Journal Bearing
- Swashblock Mounted in Polymerous Saddle Bearing
- Lubricated Swashblock
- Steel Piston Shoes on Hardened Surface
- Valve Plate Ported Rear or Top and Bottom
- Quiet Valve Plate
- Sealed Front Bearings
- SAE Heavy-Duty Shaft
- Thru Shaft Available
- High Pressure Relief Valve Available



Frame Size	Unit Size	Length	Width	Height	Weight	Face Mounting
		mm	mm	mm	kg	
A	011, 014, 022	182,9	109,7	114,3	14,5	SAE „A“ 2-Loch
B	025, 034, 046	215,9	147,3	155,2	30,9	SAE „B“ 2-Loch
C	064, 076, 098, 130	265,2	171,7	182,4	46,8	SAE „C“ 2-Loch

Frame Size	Unit Size	Theoretical max Displacement	Rated Continuous Pressure	Peak Pressure	Flow Rate at 1500 rpm and rated cont pressure & 14,7 bar abs inlet conditions	Minimum Inlet Pressre	Maximum Speed	Power Input at rated cont pressure & 1500 rpm
		cm <sup>3</sup> /rev	bar	bar	l/min	1500 U/min	U/min <sup>-1</sup>	kW
A	11	10,8	350	400	13	0,39	3000	10,2
	14	14,1	275	310	19	0,41	3000	11
	22	22,1	210	240	30	0,41	3000	12,6
B	25	25,4	350	400	34	0,5	3000	22,7
	34	33,8	240	275	46	0,52	3000	22,1
	46	46,4	175	210	65	0,54	2400	21,8
C	64	63,6	350	400	87	0,59	2400	59,1
	76	76,5	240	275	106	0,69	2400	50
	98	98,3	175	210	137	0,59	2400	46,1
	130	130,2	105	140	184	0,64	1800	49,8

Detailed information see <http://oilgear.com/engineered-products/pumps/variable-displacement/>

# PVWW

LOW HORSEPOWER, OPEN LOOP, AXIAL PISTON PUMP FOR HIGH PERFORMANCE APPLICATIONS INVOLVING FLUIDS WITH LOW VISCOSITY OR THAT CONTAIN WATER.



- Multiple Frame Sizes Available
- Multiple Displacements, Each Frame Size
- Large Control Selection
- Controls Readily Interchanged
- Proven Rotating Group Design
- Rugged Cylinder Design
- Hardened Cylinder on Hardened Valve Plate
- Cylinder Mounted in Polymerous Journal Bearing
- Swashblock Mounted in Polymerous Saddle Bearing
- Steel Piston Shoes on Hardened Surface
- Valve Plate Ported Rear or Top and Bottom
- Sealed Front Bearings
- SAE Heavy-Duty Shaft
- Thru Shaft Available
- High Pressure Relief Valve Available

Frame Size	Unit Size	Length	Width	Height	Weight	Face Mounting
		mm	mm	mm	kg	
A	014, 022	182,9	109,7	114,3	14,5	SAE „A“ 2-Bolt
B	034, 046	215,9	147,3	155,2	30,9	SAE „B“ 2-Bolt
C	076, 098, 130	265,2	171,7	182,4	46,8	SAE „C“ 2-Bolt

Frame Size	Unit Size	Theoretical max Displacement	Rated Continuous Pressure	Peak Pressure	Flow Rate at 1500 rpm and rated cont pressure & 14,7 bar abs inlet conditions	Maximum Speed	Power Input at rated cont pressure & 1500 rpm
		cm <sup>3</sup> /rev	bar	bar	l/min	U/min <sup>-1</sup>	kW
A	14	14,1	210	240	17	1800	8
	22	22,1	140	175	28	1800	8,3
B	34	33,8	210	240	40	1800	18,9
	46	46,4	140	175	64	1800	17,3
C	76	76,5	210	240	103	1800	42,5
	98	98,3	140	175	135	1800	37
	130	130,2	83	105	179	1800	39

Detailed information see <http://oilgear.com/engineered-products/pumps/variable-displacement/>

LOW HORSEPOWER, CLOSED LOOP,  
AXIAL PISTON PUMP FOR HIGH  
PERFORMANCE APPLICATIONS.

# PVWC

- Multiple Displacements with Two Mounting
- Large Control Selection
- Controls Readily Interchanged
- Neutral Bypass Control is Available
- Proven Rotating Group Design
- Rugged Cylinder Design
- Hardened Cylinder on Hardened Valve Plate
- Cylinder Mounted in Polymerous Journal Bearing
- Swashblock Mounted in Polymerous Saddle Bearing
- Steel Piston Shoes on Hardened Surface
- Sealed Front Bearings
- SAE Heavy-Duty Shaft
- Thru Shaft Available
- Integral Supercharge (Implement) Pump and
- Relief Valve Circuit Available
- Towing Valve Available



Frame Size	Unit Size	Length	Width	Height	Weight	Face Mounting
		mm	mm	mm	kg	
A	011, 014, 022	269,2	130	191,3	17,3	SAE „A“ 2-Bolt
B	011, 014, 022	269,2	130	191,3	17,3	SAE „B“ 2-Bolt

Unit Size	Theoretical max Displacement	Rated Continuous Pressure	Peak Pressure	Flow Rate at 1500 rpm and rated cont pressure & 14,7 bar abs inlet conditions	Minimum Inlet Pressre	Maximum Speed	Power Input at rated cont pressure & 1500 rpm
	cm <sup>3</sup> /rev	bar	bar		l/min	U/min <sup>-1</sup>	kW
11	10,8	350	350	350	13,25	3000	11,5
14	14,1	275	310	350	18,6	3000	12,5
22	22,1	210	240	350	30	3000	14

Detailed information see <http://oilgear.com/engineered-products/pumps/variable-displacement/>

# PVG

MEDIUM HORSEPOWER,  
OPEN LOOP, AXIAL PISTON PUMP FOR  
HIGH PERFORMANCE



- Multiple Frame Sizes Available
- Multiple Displacements, Each Frame Size
- Large Control Selection
- Controls Readily Interchanged
- Proven Rotating Group Design
- Rugged Cylinder Design
- Hardened Cylinder on Hardened Valve Plate
- Cylinder Mounted in Polymerous Journal Bearing
- Swashblock Mounted in Polymerous Saddle Bearing
- Lubricated Swashblock
- Steel Piston Shoes on Hardened Surface
- Valve Plate Ported Rear or Top and Bottom
- Quiet Valve Plate
- Sealed Front Bearings
- SAE Heavy-Duty Shaft
- Thru Shaft Available
- High Pressure Relief Valve Available

Unit Size	Length	Width	Height	Weight	Face Mounting
	mm	mm	mm	kg	
048, 065, 075	303,9	174,5	160,4	31	SAE „B“ 2/4-Bolt
100, 130	330,5	212,9	185,7	52	SAE „C“ 2-Bolt
150	360,7	200,7	208,7	78	SAE „D“ 2-Bolt

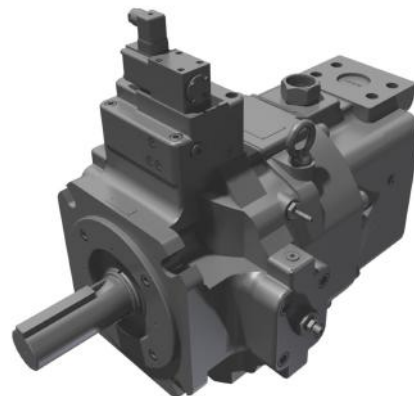
Unit Size	Theoretical max Displacement	Rated Continuous Pressure	Peak Pressure	Flow Rate at 1500 rpm and rated cont pressure & 14,7 bar abs inlet conditions	Maximum Speed	Power Input at rated cont pressure & 1500 rpm
	cm <sup>3</sup> /rev	bar	bar	l/min	U/min <sup>-1</sup>	kW
48	48	350	400	66,6	2700	45
65	65	350	400	90	2700	62
75	75,4	260	300	105	2700	53
100	98,3	350	400	134	2400	91
130	130,2	260	300	177	2400	91
150	150	350	400	203	2400	130

Detailed information see <http://oilgear.com/engineered-products/pumps/variable-displacement/>

HIGH HORSEPOWER, OPEN LOOP,  
AXIAL PISTON PUMP FOR  
HIGH PERFORMANCE APPLICATIONS.

# PVV

- Large Control Selection
- Controls Readily Interchanged
- Proven Rotating Group Design
- Rugged Cylinder Design
- Cylinder Mounted in Polymerous Journal Bearing
- Swashblock Mounted in Polymerous Saddle Bearing
- Lubricated Swashblock
- Valve Plate Ported Rear or Top and Bottom
- Quiet Port Plate
- Sealed Front Bearings
- SAE or ISO Heavy-Duty Shaft
- Thru Shaft Available



Unit Size	Length	Width	Height	Weight	Face Mounting
	mm	mm	mm	kg	
200, 250	527,7	414,3	300,2	161	SAE „E“ 4-Bolt
440	647,7	577,9	393,7	340	ISO 250 4 Bolt
540	715	549,1	385,8	333	ISO 250 4 Bolt

Unit Size	Theoretical max Displacement	Rated Continuous Pressure	Peak Pressure	Maximum Speed
	cm <sup>3</sup> /rev	bar	bar	U/min <sup>-1</sup>
200	200	420	450	1800
250	250	350	400	1800
440	440	450	500	1200
540	540	350	400	1200

Detailed information see <http://oilgear.com/engineered-products/pumps/variable-displacement/>

# PFBA

**HIGH PRESSURE, HEAVY DUTY, OPEN LOOP MULTIPLE FIXED DELIVERY PUMP**  
(rated up to 1000 bar)



- Inlet and Delivery Check Valves are Positively Seated for High Efficiency
- Hardened Steel Pistons Located in Stationary Cylinder Allow for High-Speed Operation
- Integral Supercharge Pump
- Thru Drive Available
- Rugged, High-Response, Lightweight Poppet Construction Assures Long Life
- Multiple Deliveries

Unit Size	Length	Width	Height	Weight
	mm	mm	mm	kg
02 - 8	346	211	211	45

Unit Size	Theoretical max Displacement	Rated Continuous Pressure
	cm <sup>3</sup> /rev	bar
PFBA02	3	1000
PFBA2	4,5	1000
PFBA2/2	9	1000
PFBA4	9,2	1000
PFBA6	13,7	700
PFBA8	18,5	500

# PFBK

**HIGH PRESSURE, HEAVY DUTY, OPEN LOOP MULTIPLE FIXED DELIVERY PUMP**  
(rated up to 1000 bar)



- Inlet and Delivery Check Valves are Positively Seated for High Efficiency
- Cartridge Construction Inlet and Delivery Valves Allow for Easy Maintenance
- Hardened Steel Pistons Located in Stationary Cylinder Allow for High-Speed Operation
- Optional Integral Supercharge Pump
- Hydrodynamic Thrust Bearing
- Rugged, High-Response, Lightweight Poppet Construction Assures Long Life
- Single or Double Discharge
- Multiple Deliveries
- Thru Drive Available

Unit Size	Length	Width	Height	Weight
	mm	mm	mm	kg
033 - 065	593	366	359	210
				with Foot Mount

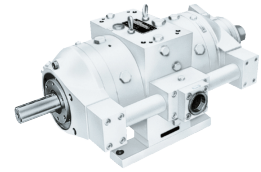
Unit Size	Theoretical max Displacement	Rated Continuous Pressure
	cm <sup>3</sup> /rev	bar
PFBK033	34,9	1000
PFBK043	44,7	1000
PFBK052	54,5	700
PFBK065	68,2	415



HIGH PRESSURE, HEAVY DUTY, OPEN LOOP MULTIPLE FIXED DELIVERY PUMP (rated up to 1000 bar)

# PFCM

Unit Size	Length mm	Width mm	Height mm	Weight kg
066 - 130	823	522	367	309
				with Foot Mount



Unit Size	Theoretical max Displacement cm3/rev	Rated Continuous Pressure bar
PFCM066	69,8	1000
PFCM086	89,5	700
PFCM104	109,2	700
PFCM130	136,7	415

- Inlet and Delivery Check Valves are Positively Seated for High Efficiency
- Cartridge Construction Inlet and Delivery
- Valves Allow for Easy Maintenance
- Hardened Steel Pistons Located in Stationary
- Cylinder Allow for High-Speed Operation
- Optional Integral Supercharge Pump
- Hydrodynamic Thrust Bearing
- Rugged, High-Response, Lightweight Poppet Construction Assures Long Life
- Single or Double Discharge
- Overload Sensing Device
- Multiple Deliveries
- Thru Drive Available

HIGH PRESSURE, HEAVY DUTY, OPEN LOOP MULTIPLE FIXED DELIVERY PUMP (rated up to 700 bar)

# PFCS

Unit Size	Length mm	Width mm	Height mm	Weight kg
440 - 580	1179	624	577	1120



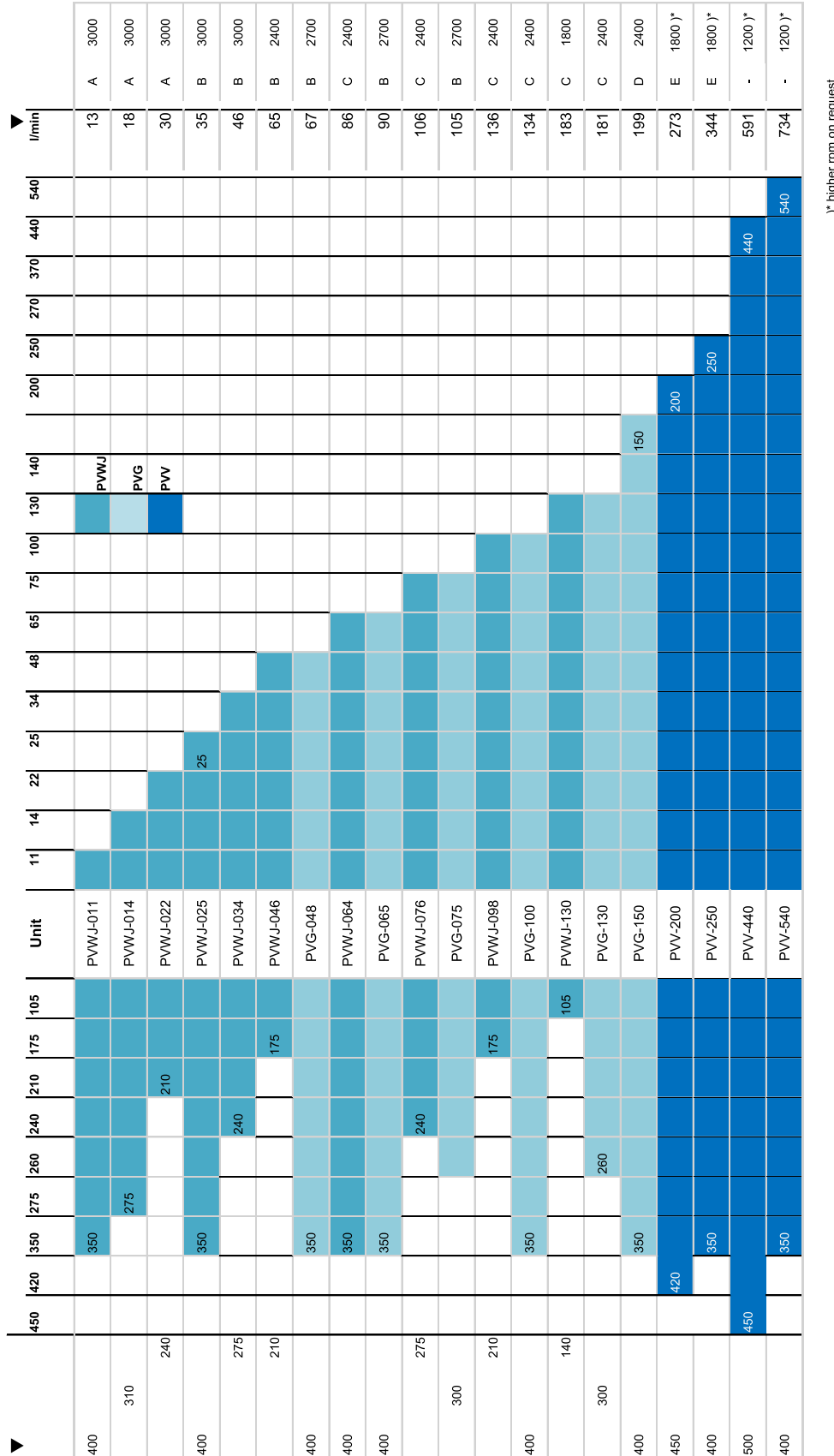
Unit Size	Theoretical max Displacement cm3/rev	Rated Continuous Pressure bar
PFCS 440	468	700
PFCS 580	587	350

- Inlet and Delivery Check Valves are Positively Seated for High Efficiency
- Cartridge Construction Inlet and Delivery Valves Allow for Easy Maintenance
- Hardened Steel Pistons Located in Stationary Cylinder Allow for High-Speed Operation
- Optional Integral Supercharge Pump
- Hydrostatically Balanced Piston Shoe Design
- Double Sided Counterbalanced Swashblock with Replaceable Thrust Plates
- Multiple Deliveries
- Overload Sensing Device
- Thru Drive Available



# PUMPS AT A GLANCE

Online Pump Configurator available on [OILGEAR.COM](http://OILGEAR.COM)



)\* higher rpm on request

# OILGEAR.COM

## Axial Piston Pumps

### Oilgear Europe

#### France

Oilgear Towler S.A.S.  
ZI Pariest  
5 allée des Frères Montgolfier  
77183 Croissy-Beaubourg  
+33 1 64627200  
oilgearfrance@oilgear.com

#### Germany

Oilgear Towler GmbH  
Im Gotthelf 8  
65795 Hattersheim  
+49 6145 3770  
info@oilgear.de

#### Italy

Oilgear Towler S.r.l.  
Via Artigianale, 23  
25010 Montirone (Brescia)  
+39 030 2677557  
info@oilgear.it

#### Spain

Oilgear Towler S.A.U.  
Entidad Zikuñaga, 62  
Apartado 104  
20120 Hernani (Gipuzkoa)  
+34 943 552700  
oilgear@oilgeartowler.es

#### United Kingdom, England

Oilgear Towler Ltd.  
37 Burley Road  
Leeds LS3 1JT  
+44 113 3947300  
uk@oilgear.com

#### United Kingdom, Scotland

Oilgear  
Westpoint House  
Prospect Road  
Aberdeen AB326JF  
+44 1224 737274  
www.oilgear.com

See [Oilgear.com](http://Oilgear.com) for Oilgear offices or Distributors

**OILGEAR**  
BEST UNDER PRESSURE