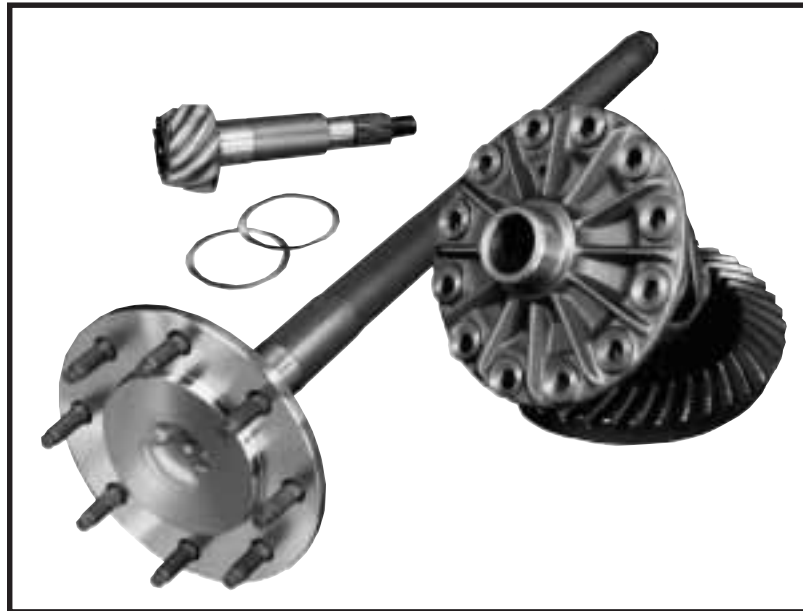


## AXLE GENERAL INFORMATION



**XGI**

**MAY 2006**

Supersedes XGI  
dated November 2002

**.pdf Change Log:**

<b>Date</b>	<b>Page#</b>	<b>Description of Change</b>
7/20/06	Page 74	Corrected spline diameter & # of teeth for shaft number 80156-1
10/13/06	Page 72	Corrected u-joint kit part # for 74934-1X



*People Finding A Better Way*<sup>®</sup>

# SAFETY INFORMATION

 **WARNING - Failure to follow these instructions could affect vehicle performance and/or safety and result in personal injury or death.**

- **Do not convert or alter Spicer axles except in accordance with vehicle manufacturer's instructions.**

Spicer axles are designed to meet OEM vehicle manufacturer's design and performance specifications. Improper conversion or alteration of these axles can damage the axles and/or other vehicle systems. Contact the OEM manufacturer for specific directions and guidelines.

- **Do not change axle gear ratios on vehicles with anti-lock braking systems except in accordance with the vehicle manufacturer's instructions.**

Vehicles with anti-lock braking systems may utilize sensors and tone rings within the axle housings to ensure the functioning of the anti-lock brakes. Improperly changing the axle ratios may defeat the anti-lock braking system. If changing axle ratios will require changing the location of the tone ring on the ring gear flange relative to the location of the sensor in the axle housing, contact the OEM manufacturer for specific directions and guidelines.

- **Do not reuse or substitute ring gear bolts.**

If you reuse a ring gear bolt or substitute an inferior quality bolt, the bolt may loosen or back out of its threaded hole, causing severe damage to the axle gears and other components and possibly resulting in a sudden "locking up" of the axle and loss of control of the vehicle. Always use new bolts specifically recommended for the application and install bolts using proper tools and torquing to the proper specifications.

 **CAUTION - Do not substitute parts not of Spicer quality.**

Spicer axles are designed for each model vehicle, and manufactured and tested for safety and best performance. Replacement parts from other manufacturers may not be made to Spicer's rigid quality standards. To be sure you're getting Spicer quality, always use genuine Spicer parts.

 This symbol warns of possible personal injury.

How to Use This Catalog .....	ii	Differential Case Assembly Kits	
General Information .....	iii	Model 28/174 IFS .....	57
Bill of Material Numerical Listing .....	1-29	Model 30/181 .....	57
Ring Gear and Pinion Kits		Model Super 30/186 .....	57
Model 28/175 IFS .....	30	Model 35/194 .....	57
Model 30/181 .....	30	Model 36/200 ICA .....	58
Model Super 30/186 .....	31	Model 44/216 .....	58
Model 35/194 .....	31	Model 44/216 ICA .....	58
Model 35/194 IFS .....	32	Model 44/216 IFS .....	59
Model Super 35/198 .....	32	Model 50/229 .....	59
Model 36/200 ICA .....	32	Model 60/248 .....	59
Model 44/216 .....	32	Model 61/248 .....	60
Model Super 44/226 .....	33	Model 70/267 .....	60
Model 44/216 F-CAR .....	33	Model 70 2U .....	60
Model 44/216 ICA .....	33	Model 70 2UA .....	60
Model 44/216 IFS .....	34	Model 80/286 .....	62
Model 50/229 .....	34	Model 61/248 General Information Chart .	63
Model 50/229 IFS .....	34	Front Axle Shafts	
Model 60/248 .....	34	Dimensions & Components .....	64
Model 61/248 .....	36	Eagle Model 30/181 IFS & Ford Aerostar	
Model 70 2UA .....	36	Model 28/174 IFS Axle Shafts .....	78
Model 70/267 .....	36	Ford IFS Axle Shafts .....	79
Model Super 70/273 .....	38	Rear Axle Shafts Dimensions & Components	
Model 80/286 .....	38	Listed by Length	
Ring Gear and Pinion Sets		Full Float .....	80
Listed by Ring Gear Number .....	40	Semi Float .....	83
Listed by Pinion Number .....	48	Listed by Part Number	
		Full Float .....	87
		Semi Float .....	90
		Yoke Shafts for Independent Rear Suspension	
		Corvette & Viper .....	94
		Catalog Comment Form .....	95

This catalog contains several tables and listings that will help you when you need to identify an axle bill of material number, change a gear ratio or determine the dimensions and part numbers of an axle shaft assembly.

- **Bill of Material Listing**

All Spicer axle bills of material are listed in numerical order giving the manufacturer, model and application for each one. Refer to the appropriate parts catalog listed for your bills of material number.

The parts catalog contains exploded views, parts listings, bill of material tables, and variable parts tables for each series. Listed below are the catalog numbers for each manufacturer's parts catalog:

Ford	X510-2CVSP
GMC / Chevrolet	X510-3DSD
Chrysler / Dodge	X510-5DSD
Jeep / Eagle 1999-Current	X510-6
Miscellaneous models 1979-1984	X510-7DSD
All manufacturers prior to 1978	X510-8DSD
All manufacturers 1985-1998 1/2	X510-9

- **Ring and Pinion Kits**

This table lists all ratios that are available for each model axle. Also included for each ring gear and pinion kit is the tooth count, the pinion number, the gear number and the gear set and pinion nut number. Refer to the General Information section for instructions on how to change gear ratios.

- **Ring and Pinion Sets**

- Numerical listing by ring gear number
- Numerical listing by pinion number

If you do not know the ring and pinion kit number, but can determine either the ring gear number or the pinion number, these listings will help you determine the correct kit number.

- **Differential Case Assembly Kits**

This table lists all the case assembly kits available for each model axle along with the component parts and the ratios each kit can be used with.

- **Axle Shaft Dimensions and Components**

The front axle shaft listing is presented in numerical order by complete assembly number and contains the component parts and dimensions for both outer and inner shaft ends and overall length.

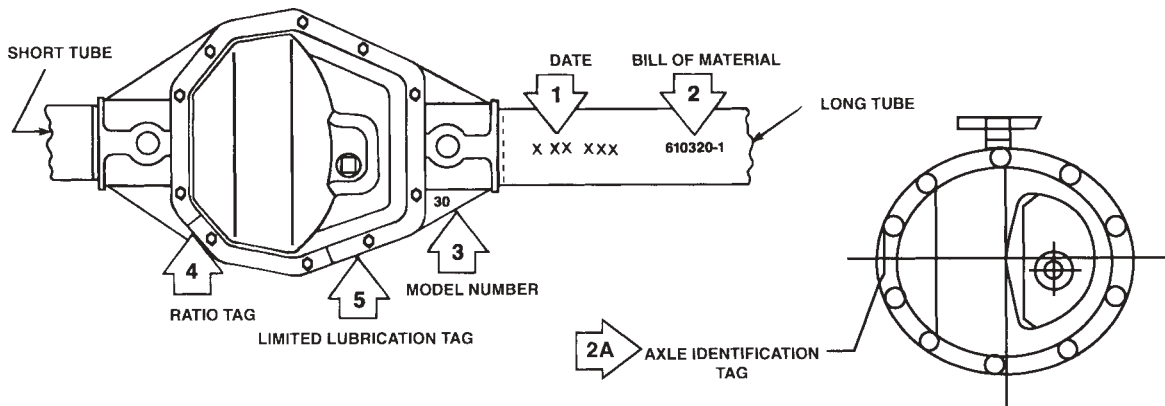
**How To Identify A Spicer Axle**

All Spicer Carrier Type axles are identified with a manufacturing date (1) and Bill of Material number (2) stamped on the right or left hand tube on driving axles. The Bill of Material number may also be found on the carrier in some models as shown in illustration (2A). For independent front suspension (IFS) axles, the B/M number may be located at one of three locations: 1). A vertically positioned tag near the center of the right hand side support arm, 2) stamped into the left hand side support arm (opposite end of the camber adjuster), or 3) stamped into the "nose end" of the axle carrier. The location of the information will depend on the manufacturing date of the axle.

The axle model number will be cast into one of the webs as shown (3), or it can be on the nose.

Each axle contains a gear ratio tag (4), and if the axle is equipped with a limited slip differential, it will have a tag specifying the type of limited slip lubricant to be used (5).

Refer to the appropriate model number section for parts identification and a breakdown of the Bill of Material.



**How To Change Gear Ratios**

To increase or decrease a gear ratio, there are certain steps that must be taken. The differential case depends upon the ratio desired. For each axle model, there is a high-ratio and a low-ratio case as illustrated below:

Axle Model	Low Ratio Case	High Ratio Case	Axle Model	Low Ratio Case	High Ratio Case
Model 27	3.73 and Down	3.92 and Up	Model 50/229	4.10 and Down	—
Model 28/174	3.45 and Down	3.73 and Up	Model 60/248	4.10 and Down	4.56 and Up
Model 28 IFS Aerostar	2.27, 3.73	—	Model 61/248		
Model 30/181	3.55 and Down	3.73 and Up	Semi Float	3.00 and 3.07 only	
Model 35/186	2.35 only	—	Model 61/248		
Model 35/186	2.73 - 3.31	3.54 and Up	Full Float	3.31 and Down	3.54 and Up
Model 36/186 ICA	2.73 and Down	3.07 and Up	Model 70/267	4.10 and Down	4.56 and Up
Model 44/216	3.73 and Down	3.92 and Up	Model 70-3HD	3.42 and Down	3.73 and Up
Model 44/216 ICA			Model 70-2UA	3.07 only	—
1984 & earlier	3.73 and Down	3.92 and Up	Model 80/286	3.73 and Down	4.10 and Up
Model 44/216 ICA					
1985 & later	2.87 and Down	3.07 and Up			

**Example** - If you have a model 44/216 Rear Axle with a 3.54 ratio and wish to change to a 3.73 ratio, you change only the ring gear and pinion assembly. If you change the ratio to a 4.09, you must change to a high-ratio case in addition to changing the ring gear and pinion. The application section will show you what case to use. When the vehicle is equipped with both front and rear driving axles, the gear ratios must be the same in both axles. The drive gear screws are self-locking and must be replaced with new screws each time that they are removed.

## How Limited Slip Differentials Operate

A conventional differential transmits all the ring gear torque through the differential gears to the axle shafts. Torque is at all times equal on the axle shafts, and if one wheel slips, the other wheel can only put out as much torque as the slipping wheel.

The Spicer Limited Slip differential has the same power flow as a conventional differential, plus a more direct flow which automatically takes effect as driving conditions demand. This more direct power flow is from the differential case to each axle shaft through a clutch plate and disc arrangement.

Arrangement of these plates and discs is at the option of the vehicle manufacturer, so care should be taken during disassembly to note the arrangement of these components.

The Limited Slip construction permits differential action when required for turning corners and transmits equal torque to both wheels when driving straight ahead. However, when one wheel tries to spin due to leaving the ground, a patch of ice, etc., the clutch packs automatically provide more torque to the wheel which is not trying to spin.

The Limited Slip differential resists wheel spin on bumpy roads and provides more pulling power when one wheel tries to slip. In many cases of differences in traction, pulling power will be automatically provided until both wheels start to slip.

In diagnosis of vehicle operators' complaints, it is important to recognize two things.

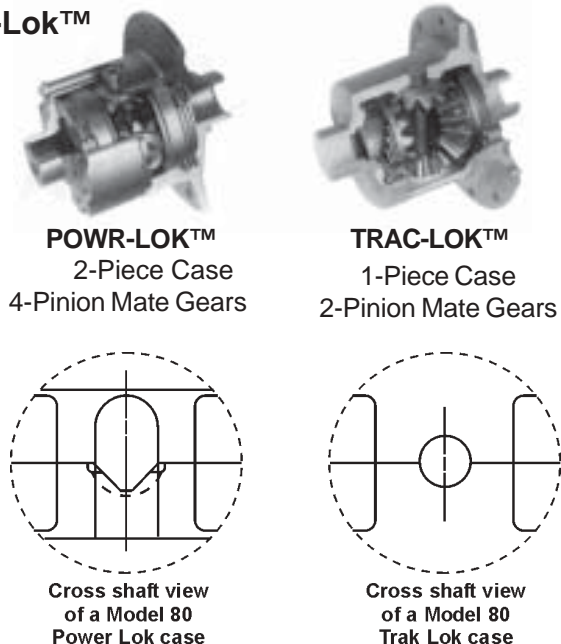
1. If, with unequal traction, both wheels slip, the Limited Slip Differential has done all it can possibly do.
2. In extreme cases of differences in traction, the wheel with the least traction may spin after the Limited Slip has transferred as much torque as possible to the non-slipping wheel.

## How To Distinguish a Powr-Lok™ from a Trac-Lok™

All Models **except Model 80 /286**: The Powr-Lok design is identified by its 2-piece case. The Trac-Lok design is identified by its 1-piece case.

**Model 80 /286 only**: Both the Powr-Lok and the Trac-Lok use 2-piece cases in the model 80 (286) axle. The difference between the two is in the shape of the holes for the cross shaft. The Powr-Lok case will have cross shaft holes that are "U" shaped in one case half and "V" shaped in the other case half. The Trac-Lok case will have cross shaft holes that are semicircles in both case halves.

It is also possible to replace an existing Powr-Lok unit with a complete Trac-Lok unit. For this purpose, the differential case assembly must be replaced.



## How To Obtain Special Service Tools

Special service tools (see service manuals) can be obtained from the following companies:

Miller Special Tools  
28635 Mound Road  
Warren MI 48092-3499  
(800) 801-5420

T & D Machine Products  
4859 Convair Dr  
Carson City, NV 89705  
(775) 884-2292

Bill of Material Number	Manufacturer	Model	Front/Rear	Application
2002406	Jeep	44/216	Rear	2005 TJ RHD
2002427	Jeep	Super 30/186	Front	2005 KJ
2002487	Jeep	Super 30/186	Front	2005 KJ
2002505	Jeep	Super 30/186	Front	2005 KJ
2002700	Jeep	44/216	Front	2005 TJ w/ABS
2003687	Jeep	44/216	Rear	2005 TJ RHD
2003688	Jeep	44/216	Rear	2005 TJ
2003689	Jeep	44/216	Rear	2004 TJ
2003690	Jeep	44/216	Rear	2003 TJ LHD
2004040	Jeep	44/216	Rear	2005 TJ RHD
2004422	Jeep	44/216	Rear	2005 TJ
2004424	Jeep	44/216	Rear	2005 TJ RHD
603470	Jeep	60/248	Rear	1979 J20 Pickup
603643	Chrysler/Dodge	60/248	Front	1979-80 D-600
603647	Chrysler/Dodge	60/248	Rear	1979 D-200 & W-200 HD
603651	Chrysler/Dodge	70/267	Rear	1979 M-300 & M-400 Motor Home (2pc STD CASE)
603652	Chrysler/Dodge	70/267	Rear	1979 M-500 Motor Home
603653	Chrysler/Dodge	70/267	Rear	1979-83 P-300
603683	Jeep	44/216	Front	1978-79 Wagoneer / Cherokee
603685	Jeep	44/216	Front	1978-79 J10, J20, Honcho, Cherokee Wide Track
603695	Chrysler/Dodge	70/267	Rear	1979 D-300/400 & W-300/400
603696	Chrysler/Dodge	70/267	Rear	1979 D-300 Sweptline
603702	General Motors	60/248	Rear	1979 DRW G-Van 146" WB - Full Float
603703	General Motors	70/267	Rear	1979 G-300 146" WB - 70B
603704	General Motors	70/267	Rear	1979 C-30 Dual Wheel - 70HD
603725	Ford	60/248	Rear	1979 F-250 Crew Cab - Full Float
603732	Jeep	30/181	Front	1978 CJ5/CJ7 - External Type Wheel End
603815	Jeep	44/216	Rear	1977-79 Cherokee Chief (STD Transfer Case)
603816	Jeep	44/216	Rear	1977-79 Wagoneer & Cherokee (STD Transfer Case)
603817	Jeep	44/216	Rear	1977-79 Wagoneer & Cherokee (Quadra-Trac Transfer Case)
603818	Jeep	44/216	Rear	1977-79 Cherokee Chief Quadra-Trac
603820	Jeep	44/216	Rear	1977-80 Post Office Dispatcher
603831	Chrysler/Dodge	60/248	Rear	1979 Rail Maintenance
603841	Chrysler/Dodge	70/267	Rear	1979 WM-300
603884	General Motors	60/248	Rear	1979 DRW G-Van 125" WB - Full Float
603901	Ford	60/248	Rear	1979 F-250 4X4 - Full Float
603909	Ford	70/267	Rear	1980 Ambulance - 70HD
603916	Chrysler/Dodge	70/267	Rear	1979-84 CB-400 & MB-400
603917	Chrysler/Dodge	60/248	Rear	1979 D-200 & BD-600
603918	Chrysler/Dodge	70/267	Rear	1979-84 CB-300 HD & MB-400 HD
603919	Chrysler/Dodge	60/248	Rear	1979 MD-300 Dual Wheel HD
603920	Chrysler/Dodge	60/248	Rear	1979 B-300 Maxivan HD
603925	Ford	61/248	Rear	1979 F-250 4X2 - Full Float
603926	Ford	60/248	Rear	1979 F-250 4X2 - Full Float
603929	General Motors	70/267	Rear	1979 P-300 Motor Home - 70HD
603930	Jeep	60/248	Rear	1978-79 J20 Pickup
603932	Ford	61/248	Rear	1979-80 E-250 - Full Float
603934	Ford	70/267	Rear	1979-80 E-350 Van - 70B
603935	Ford	70/267	Rear	1979 F-350 Pick-Up - 70B
603936	Ford	70/267	Rear	1979-80 F-350 U-Haul - 70B



Bill of Material Number	Manufacturer	Model	Front/ Rear	Application
603937	Ford	70/267	Rear	1979 F-350 Chassis - 70B
603938	Ford	70/267	Rear	1979 E-350 Chassis - 70B
603940	Ford	70/267	Rear	1979-80 E-350 Chassis - 70HD
603941	Jeep	44/216	Rear	1979 J10 & Honcho Truck
603943	Ford	60/248	Rear	1980-81 F-250 3/4 Ton 4X2, 4X4 Pick-Up - Semi Float
603944	Ford	61/248	Rear	1980 F-350 4X2 Chassis - Full Float
603946	Ford	61/248	Rear	1980-81 F-250 4X2 - Semi Float
603947	Ford	61/248	Rear	1980 F-350 4X2, 4X4 Pick Up - Full Float
603949	Ford	70/267	Rear	1980 F-350 Big Dooley - 70HD
603955	Chrysler/Dodge	70/267	Rear	1979-83 WM-300
603962	Ford	70/267	Rear	1980 F-350 Chassis - 70B
603967	General Motors	44/216 ICA	Rear	1980 Corvette
603970	General Motors	70/267	Rear	1979 P-300 UPS - 70HD
603971	Chrysler/Dodge	60/248	Rear	1979-84 High Performance Racing Axle (semi-float)
603972	Chrysler/Dodge	60/248	Rear	1979-84 High Performance Racing Axle (semi-float)
603973	Ford	44/216	Rear	1979 F-100 & F-150
603980	Jeep	60/248	Rear	1980-81 1/2 J20 Pickup
603982	Chrysler/Dodge	60/248	Rear	1979 D-200, W-200 & D-600
603987	General Motors	70/267	Rear	1979 P-300 UPS - 70HD
603989	Chrysler/Dodge	60/248	Rear	1980-88 1/2 D-200, W-200 & D-600
603990	Chrysler/Dodge	60/248	Rear	1980-84 C-300 & B-300 MB-300 HD
603992	Chrysler/Dodge	60/248	Rear	1980-82 D-200 & W-200 HD
603993	Chrysler/Dodge	60/248	Rear	1980-84 MB-300 Dual Wheel HD
603994	Chrysler/Dodge	60/248	Rear	1980-88 1/2 B-300 Maxivan HD
603995	Chrysler/Dodge	70/267	Rear	1980-84 D-300/400 & W-300/400
603997	Chrysler/Dodge	70/267	Rear	1980-83 M-300 & M-400 Motor Home (2pc STD CASE)
603998	Chrysler/Dodge	70/267	Rear	1980-83 M-500 Motor Home
605000	General Motors	60/248	Rear	1980-82 DRW G-Van 125" WB - Full Float
605001	General Motors	60/248	Rear	1980-82 DRW G-Van 146" WB - Full Float
605002	General Motors	70/267	Rear	1980-82 G-300 146" WB - 70B
605003	General Motors	70/267	Rear	1980-81 C-30 Dual Wheel - 70HD
605004	General Motors	70/267	Rear	1980-81 P-300 Motor Home - 70HD
605005	General Motors	70/267	Rear	1980-81 P-300 UPS - 70HD
605020	Ford	60/248	Rear	1980 1/2 E-250 - Full Float
605022	Ford	61/248	Rear	1981-83 E-350 DRW Chassis - Full Float
605030	Ford	61/248	Rear	1981 E-250 Van - Semi Float
605031	Ford	60/248	Rear	1981-81 1/2 E-250 Van - Semi Float
605038	Ford	70/267	Rear	1981-83 F-350 Chassis DSO Dual Wheel - 70B
605039	Ford	61/248	Rear	1981-83 F-350 Chassis - Full Float
605040	Ford	61/248	Rear	1981-83 F-350 - Full Float
605042	Ford	70/267	Rear	1981-82 E-350 Chassis - 70B
605043	General Motors	70/267	Rear	1985-89 P-300 UPS - 70HD
605044	Ford	70/267	Rear	1981-83 F-350 Heavy Duty Chassis - 70HD
605045	Ford	70/267	Rear	1981-83 F-350 Dual Wheel - 70HD
605053	Ford	70/267	Rear	1981-85 E-350 DSO - 70HD
605054	Ford	70/267	Rear	1981-83 F-350 U-Haul - 70B
605055	Ford	70/267	Rear	1981-82 F-350 DSO Ambulance - 70HD
605056	Ford	61/248	Rear	1981-83 E-350 School Bus - Full Float
605057	Ford	70/267	Rear	1981-82 E-350 School Bus - 70B
605062	General Motors	44/216 ICA	Rear	1981-83 Corvette



# BILL OF MATERIAL NUMERICAL LISTING

Bill of Material Number	Manufacturer	Model	Front/Rear	Application
605064	Ford	61/248	Rear	1981 E-250 Van - Full Float
605068	General Motors	70/267	Rear	1980-81 P-300 Motor Home - 70HD
605079	Jeep	60/248	Rear	1982-85 J20 Pickup
605080	Ford	70/267	Rear	1981 1/2-83 E-350 DSO - 70B
605082	Chrysler/Dodge	60/248	Rear	1983-84 D-300 HD
605086	Ford	60/248	Rear	1982-83 F-250 - Semi Float
605087	Ford	61/248	Rear	1982 F-250 - Semi Float
605088	Ford	61/248	Rear	1982-83 E-250 Van - Semi Float
605089	Ford	60/248	Rear	1982-83 E-250 Van - Semi Float
605096	General Motors	70/267	Rear	1981 1/2 P-300 UPS - 70HD
605099	General Motors	70/267	Rear	1982-84 C/K-30 - 70HD
605101	Ford	70/267	Rear	1981 1/2-83 E-350 DSO - 70HD
605103	Jeep	44/216	Rear	1982-84 CJ10
605104	Jeep	60/248	Rear	1982 1/2-84 CJ10
605114	Ford	70/267	Rear	1982 1/2-83 E-350 DSO Chassis - 70U
605115	Ford	70/267	Rear	1983 E-350 DSO Chassis - 70U
605117	General Motors	70/267	Rear	1982 1/2-87 P-30 Motor Home/Disc Brakes - 70HD
605118	Ford	70/267	Rear	1982 1/2-83 F-350 DSO Wide Track - 70HD
605132	General Motors	60/248	Rear	1983 DRW G-Van 125" WB - Full Float
605133	General Motors	60/248	Rear	1983 DRW G-Van 146" WB - Full Float
605134	General Motors	70/267	Rear	1983 G-300 146" WB - 70B
605138	Ford	70/267	Rear	1982 1/2-83 1/2 F-350 DSO Ambulance - 70HD
605139	Ford	70/267	Rear	1982 1/2-83 E-350 DSO - 70B
605143	Ford	70/267	Rear	1983 1/2 E-350 DSO - 70B
605145	Ford	60/248	Rear	1983 1/2 F-350 Pick-Up - Semi Float
605146	Ford	60/248	Rear	1983 1/2 F-350 Chassis - Semi Float
605154	Ford	61/248	Rear	1983 1/2 F-350 Pick-Up - Semi Float
605156	Ford	61/248	Rear	1983 1/2 F-350 Chassis - Semi Float
605158	Chrysler/Dodge	70/267	Rear	1985-90 1/2 Israel Aircraft
605169	Ford	60/248	Rear	1983 1/2-85 F-250 - Semi Float
605170	Ford	70/267	Rear	1984-85 F-350 6 Wheeler - 70HD
605172	General Motors	36/200	Rear	1984 Corvette
605175	Ford	70/267	Rear	1983 1/2 F-350 Chassis - 70U
605176	Ford	70/267	Rear	1983 1/2-85 F-350 Heavy Duty Chassis - 70HD
605178	Ford	61/248	Rear	1983 1/2 E-250 Van - Semi Float
605179	Ford	60/248	Rear	1983 1/2 E-250 Van - Semi Float
605180	General Motors	36/200	Rear	1984 Corvette
605192	Chrysler/Dodge	70/267	Rear	1984-85 D-300/D-450 Sweptline & D-350 & W-350
605196	Jeep	60/248	Rear	1985 AM 720
605197	Ford	61/248	Rear	1984-85 F-350 - Full Float
605198	Ford	61/248	Rear	1984-85 F-350 & F-350 Chassis
605200	General Motors	60/248	Rear	1985-86 DRW G-Van 125" WB - Full Float
605201	General Motors	60/248	Rear	1985-89 DRW G-Van 146" WB - Full Float
605202	General Motors	70/267	Rear	1984-89 DRW G-Van 146" WB - 70U
605203	General Motors	70/267	Rear	1984-86 C/K-30 & R/V-30 - 70HD
605204	Ford	70/267	Rear	1983 1/2-85 F-350 Pick-Up - 70U
605205	Ford	70/267	Rear	1983 1/2-85 F-350 Chassis - 70U
605206	Ford	70/267	Rear	1983 1/2 F-350 U-Haul - 70U
605207	Ford	70/267	Rear	1983 1/2-85 F-350 DSO Ambulance - 70HD
605208	Ford	70/267	Rear	1984-85 F-350 Chassis - 70U

Bill of Material Number	Manufacturer	Model	Front/Rear	Application
605211	Ford	60/248	Rear	1984-85 E-250 Van - Semi Float
605212	Ford	61/248	Rear	1984-85 E-350 Van SRW - Full Float
605213	Ford	70/267	Rear	1984-85 E-350 Chassis - 70U
605214	Chrysler/Dodge	70/267	Rear	1985 D-300 & D-400 & D-700
605215	Chrysler/Dodge	70/267	Rear	1985 D-300
605218	General Motors	44/216	Rear	1984-85 F-Car
605220	General Motors	44/216 ICA	Rear	1985-87 Corvette
605222	Chrysler/Dodge	60/248	Rear	1985-88 1/2 B-300 (Van)
605224	Chrysler/Dodge	60/248	Rear	1985-85 1/2 D-200 & BD-600
605225	Chrysler/Dodge	60/248	Rear	1985-88 1/2 D-200 HD & D-300 HD
605235	Chrysler/Dodge	70/267	Rear	1985-88 1/2 Front Section Motor Home
605236	Jeep	44/216	Rear	1985 CJ10
605237	Jeep	60/248	Rear	1985 CJ10
605239	General Motors	36/200	Rear	1984-86 Corvette
605242	Jeep	70/267	Rear	1985 CJ 10A Military
605244	Ford	61/248	Rear	1985 F-350 - Full Float
605246	Ford	70/267	Rear	1985 F-350 Chassis - 70U
605247	Ford	70/267	Rear	1985 F-350 Chassis - 70U
605248	Ford	70/267	Rear	1985 F-350 Chassis - 70U
605249	Ford	70/267	Rear	1985 F-350 Heavy Duty Chassis - 70HD
605250	Ford	70/267	Rear	1985 F-350 6 Wheeler - 70HD
605251	Ford	60/248	Rear	1985 E-250 Van SRW - Semi Float
605252	Ford	61/248	Rear	1985-86 E-350 Van - Full Float
605253	Ford	70/267	Rear	1985-86 E-350 Chassis - 70U
605254	Ford	60/248	Rear	1985 F-250 - Semi Float
605255	Ford	70/267	Rear	1985-87 F-350 DSO Ambulance - 70HD
605260	General Motors	36/200	Rear	1985-87 Corvette
605267	Ford	30/181	Rear	1985 1A Aerostar Van
605268	General Motors	60/248	Rear	1986-89 DRW G-Van 125" WB - Full Float
605269	Chrysler/Dodge	70/267	Rear	1985 1/2 D-300 & D-400 & D-500 & D-600
605270	Chrysler/Dodge	70/267	Rear	1985 1/2 D-300 & D-400 & D-500 & D-600
605273	Ford	30/181	Rear	1986-88 1A Aerostar Van
605285	Jeep	44/216	Rear	1986 Grand Wagoneer
605286	Jeep	44/216	Rear	1986 J10 Pickup
605287	Jeep	44/216	Rear	1986 XJ Metric Ton Truck
605289	Jeep	44/216	Rear	1986 CJ7
605290	Jeep	35/194	Rear	1986 XJ Utility
605291	Jeep	60/248	Rear	1986-88 J20 Pickup
605292	Jeep	35/194	Rear	1986 XJ Truck
605293	Jeep	35/194	Rear	1986 XJ Utility
605294	Jeep	35/194	Rear	1986 XJ Pickup
605295	Jeep	35/194	Rear	1987-89 YJ
605298	Ford	60/248	Rear	1986-88 E-250 Van SRW - Semi Float
605299	Ford	61/248	Rear	1987 E-350 Van - Full Float
605300	Ford	70/267	Rear	1987-88 E-350 Chassis - DRW - 70U
605302	General Motors	70/267	Rear	1988-90 SRW G-Van 30 - 70-3HD
605303	Ford	80/286	Rear	1988 F-350 Super Duty
605305	General Motors	70/267	Rear	1987 SRW C-30 - 70-3HD
605310	General Motors	70/267	Rear	1988-89 DRW G-Van 30 - 70-3HD
605311	Chrysler/Dodge	70/267	Rear	1987-90 1/2 D-200 & D-300 & D-600 & D-700 w/ABS

# BILL OF MATERIAL NUMERICAL LISTING

Bill of Material Number	Manufacturer	Model	Front/Rear	Application
605312	Chrysler/Dodge	70/267	Rear	1989-90 1/2 D-200 & D-300 & D-600 & D-700 w/ABS
605313	Chrysler/Dodge	70/267	Rear	1987-90 D-300 & D-700 w/ABS
605315	Jeep	35/194	Rear	1985 1/2 XJ Utility
605316	Jeep	35/194	Rear	1985 1/2 XJ Utility
605321	General Motors	36/200	Rear	1988-90 Corvette
605322	General Motors	44/216 ICA	Rear	1989 1/2-90 Corvette
605323	Jeep	35/194	Rear	1987-89 XJ Utility
605324	Jeep	35/194	Rear	1987-89 XJ Pickup
605325	Jeep	44/216	Rear	1987-93 1/2 XJ Metric Ton Truck, XJ HD Truck
605329	Jeep	44/216	Rear	1987-92 Grand Wagoneer
605330	Jeep	44/216	Rear	1987-88 J10 Pickup
605331	General Motors	70/267	Rear	1987-91 1/2 R/V-30 - 70HD
605337	Ford	70/267	Rear	1988 1/2-89 E-350 U-Haul Chassis - 70HD
605339	Jeep	44/216	Rear	1988 1/2-96 1/2 YJ
605342	Jeep	44/216	Rear	1987-87 1/2 XJ Utility
605344	Ford	70/267	Rear	1987 1/2 E-350 Chassis - DRW - 70HD
605345	General Motors	70/267	Rear	1987 1/2-89 SRW C-30 - 70-3HD
605346	General Motors	70/267	Rear	1987 1/2-89 SRW K-30 - 70-3HD
605351	Jeep	35/194	Rear	1988-89 XJ Utility, Trailer Tow w/ABS
605352	Ford	70/267	Rear	1987 1/2 E-350 Chassis - DRW - 70U
605355	Ford	60/248	Rear	1988 E-350 Van SRW - Full Float
605361	General Motors	70/267	Rear	1988 P-30 Motor Home/Disc Brakes - 70HD
605363	General Motors	70/267	Rear	1988-89 P-30 Motor Home/Disc Brakes - 70HD
605365	General Motors	44/216 ICA	Rear	1988-89 Corvette
605368	Chrysler/Dodge	60/248	Rear	1989-90 1/2 D-300 & D-700 HD w/ABS
605370	Chrysler/Dodge	60/248	Rear	1989-93 1/2 D-200 HD & D-600 HD w/ABS
605371	Chrysler/Dodge	60/248	Rear	1989-93 1/2 D-200 HD & D-600 HD w/ABS
605373	Chrysler/Dodge	70/267	Rear	1989-90 D-300 & D-700 w/ABS
605386	Chrysler/Dodge	70/267	Rear	1988-90 1/2 Front Section Motor Home
605387	Jeep	35/194	Rear	1988 1/2-89 XJ Utility, I-6 Automatic
605389	Jeep	35/194	Rear	1988 1/2-89 XJ Utility, Trailer Tow
605391	General Motors	70/267	Rear	1988-89 P-30 Motor Home/Disc Brakes - 70HD
605397	General Motors	70/267	Rear	1988-89 DRW C/K-30 - 70-3HD
605400	Ford	80/286	Rear	1989 F-350 Super Duty
605403	General Motors	60/248	Rear	1990 DRW G-Van 146" WB - Full Float
605405	General Motors	60/248	Rear	1990 DRW G-Van 125" WB - Full Float
605407	Chrysler/Dodge	70/267	Rear	1989-90 D-300
605408	Chrysler/Dodge	70/267	Rear	1989 D-300 Wide Track w/ABS
605412	Ford	70/267	Rear	1989 E-350 Chassis - DRW - 70U
605413	Ford	60/248	Rear	1989 E-350 Van SRW - Full Float
605414	Ford	60/248	Rear	1989 E-250 Van SRW - Semi Float
605415	General Motors	70/267	Rear	1989 1/2 P-300 UPS - 70HD
605416	Jeep	35/194	Rear	1990-90 1/2 XJ Utility
605417	General Motors	44/216 ICA	Rear	1990-90 1/2 Corvette
605418	General Motors	70/267	Rear	1989 1/2 G-Van Extended - 70-3HD
605419	Ford	60/248	Rear	1990-91 1/2 E-250 Van SRW - Semi Float w/ABS
605420	Ford	60/248	Rear	1990-91 1/2 E-250 Van SRW - Full Float w/ABS
605421	Ford	70/267	Rear	1990-91 1/2 E-350 Chassis - DRW - 70U w/ABS
605423	Jeep	35/194	Rear	1990-90 1/2 YJ
605425	Jeep	35/194	Rear	1990-90 1/2 MJ Pickup

Bill of Material Number	Manufacturer	Model	Front/Rear	Application
605427	Jeep	35/194	Rear	1990-91 1/2 XJ Utility, Trailer Tow w/ABS
605434	Ford	30/181	Rear	1989 1/2 1A Aerostar Van
605437	Ford	70/267	Rear	1989-90 1/2 E-350 Motor Home - 70U
605438	Ford	70/267	Rear	1989-90 E-350 Motor Home - 70HD
605440	Chrysler/Dodge	60/248	Rear	1989-94 1/2 B-300 HD w/ABS
605441	Chrysler/Dodge	60/248	Rear	1989 B-300 Maxivan HD
605443	Jeep	35/194	Rear	1990-90 1/2 XJ Utility, I-6 Automatic
605444	Jeep	35/194	Rear	1990-90 1/2 XJ Utility, Trailer Tow
605445	Ford	80/286	Rear	1990-91 1/2 F-350 Super Duty
605449	General Motors	70/267	Rear	1990-91 1/2 SRW G-Van 30 - 70-3HD
605452	General Motors	70/267	Rear	1990 DRW G-Van 146" WB - 70U
605453	General Motors	70/267	Rear	1990 DRW G-Van 30 - 70-3HD
605454	General Motors	70/267	Rear	1990-91 1/2 G-Van Extended - 70-3HD
605455	Jeep	35/194	Rear	1988-89 XJ Pickup
605456	General Motors	70/267	Rear	1989 1/2-90 P-30 Motor Home/Disc Brakes - 70HD
605457	General Motors	70/267	Rear	1989 1/2-90 P-30 Motor Home/Disc Brakes - 70HD
605461	Ford	80/286	Rear	1992-93 1/2 F-450 Chassis-DRW-Full Float
605470	General Motors	70/267	Rear	1990 P-300 UPS - 70HD
605471	Ford	70/267	Rear	1990-91 1/2 E-350 Motor Home - 70HD w/ABS
605475	Jeep	35/194	Rear	1993-94 ZJ w/ABS
605480	Ford	70/267	Rear	1990-91 1/2 E-350 U-Haul Chassis - 70HD w/ABS
605483	Jeep	35/194	Rear	1990-92 1/2 XJ Utility
605484	Jeep	35/194	Rear	1990-92 1/2 XJ Utility, I-6 Automatic
605485	Jeep	35/194	Rear	1990-92 1/2 XJ Utility, Trailer Tow
605487	Ford	60/248	Rear	1992-93 1/2 E-350 Van SRW - Full Float w/ABS
605488	Ford	70/267	Rear	1992 E-350 Chassis - DRW - 70U w/ABS
605489	Chrysler/Dodge	70/267	Rear	1990 1/2 Air Force Tow Vehicle w/ABS
605490	General Motors	36/200	Rear	1990 1/2-96 1/2 Corvette
605491	General Motors	44/216 ICA	Rear	1990-96 1/2 Corvette
605492	General Motors	44/216 ICA	Rear	1990 1/2 Corvette
605493	General Motors	70/267	Rear	1990 1/2-92 1/2 P-300 UPS - 70HD
605494	General Motors	70/267	Rear	1991-93 1/2 70HD
605495	General Motors	60/248	Rear	1990 1/2-91 1/2 DRW G-Van 146" WB - Full Float
605496	General Motors	60/248	Rear	1990 1/2-91 1/2 DRW G-Van 125" WB - Full Float
605497	General Motors	70/267	Rear	1990 1/2-91 1/2 DRW G-Van 146" WB - 70U
605498	General Motors	70/267	Rear	1990 1/2-91 1/2 DRW G-Van 30 - 70-3HD
605499	General Motors	80/286	Rear	1992 Motor Home/Disc Brakes - 80
605500	Jeep	35/194	Rear	1991-93 1/2 MJ Pickup
605501	Ford	70/267	Rear	1991-91 1/2 Continental Bakery Chassis - 70U w/ABS
605502	Jeep	35/194	Rear	1991-93 1/2 YJ
605507	Jeep	35/194	Rear	1993-94 ZJ T/Tow w/ABS
605508	Chrysler/Dodge	70/267	Rear	1991-93 1/2 D-200 & D-300 & D-600 & D-700 w/ABS
605509	Chrysler/Dodge	70/267	Rear	1991-93 1/2 D-200 & D-300 & D-600 & D-700 w/ABS
605510	Chrysler/Dodge	70/267	Rear	1991-93 1/2 D-300 & D-700 w/ABS
605511	Chrysler/Dodge	70/267	Rear	1991-93 1/2 D-300 & D-700 w/ABS
605512	Chrysler/Dodge	70/267	Rear	1991-93 1/2 D-300 Wide Track w/ABS
605513	Chrysler/Dodge	70/267	Rear	1987-93 D-300 Wide Track w/ABS
605514	Chrysler/Dodge	70/267	Rear	1991-93 1/2 Air Force Tow Vehicle w/ABS
605516	Chrysler/Dodge	60/248	Rear	1991-94 B-300 Maxivan w/ABS
605517	Chrysler/Dodge	60/248	Rear	1991-95 1/2 D-300 & D-700 HD w/ABS

# BILL OF MATERIAL NUMERICAL LISTING

Bill of Material Number	Manufacturer	Model	Front/Rear	Application
605518	Ford	70/267	Rear	1990-91 1/2 UPS Chassis - 70U w/ABS
605522	Chrysler/Dodge	70/267	Rear	1991-93 1/2 D-300 & D-400 & D-500 & D-600 & D-700 w/ABS
605524	General Motors	80/286	Rear	1992 1/2-93 1/2 GMT 455 - 80
605525	Jeep	35/194	Rear	1992-93 1/2 YJ w/ABS
605526	General Motors	80/286	Rear	1992 1/2-93 1/2 P-Truck - 80
605527	General Motors	80/286	Rear	1992 1/2-93 1/2 P-Truck - 80
605528	Jeep	35/194	Rear	1993-93 1/2 YJ w/ABS
605529	Chrysler/Dodge	44/216 ICA	Rear	1993 1/2 Viper
605534	Jeep	35/194	Rear	1992 1/2-93 1/2 XJ Utility
605535	Jeep	35/194	Rear	1992 1/2-93 1/2 XJ Utility
605536	Jeep	35/194	Rear	1992 1/2-93 1/2 XJ Utility
605537	Ford	70/267	Rear	1992 Continental Bakery Chassis - 70U w/ABS
605538	Ford	70/267	Rear	1992-93 1/2 E-350 Motor Home - 70HD w/ABS
605539	Ford	70/267	Rear	1992-93 1/2 E-350 U-Haul Chassis - 70HD w/ABS
605540	Ford	70/267	Rear	1992-92 1/2 UPS Chassis - 70U w/ABS
605541	Jeep	35/194	Rear	1992-93 1/2 YJ w/ABS
605547	Chrysler/Dodge	70/267	Rear	1991-93 1/2 D-300 & D-400 & D-500 & D-600 & D-700 w/ABS
605556	Ford	60/248	Rear	1992 E-250 Van SRW - Semi Float w/ABS
605558	General Motors	44/216	Rear	1992 1/2-94 F-Car
605559	General Motors	70/267	Rear	1993-94 P-300 UPS - 70HD
605564	Jeep	35/194	Rear	1992-93 1/2 YJ w/ABS
605567	Ford	70/267	Rear	1992 1/2-93 1/2 E-350 Chassis - DRW - 70U w/ABS
605569	Ford	60/248	Rear	1993-95 E-250 Van SRW - Semi Float
605575	General Motors	80/286	Rear	1993-93 1/2 GMT 455 - 80
605578	Ford	70/267	Rear	1992 1/2-93 1/2 E-350 SRW Cutaway, Wide Track 70 2U
605579	Jeep	35/194	Rear	1993-94 XJ Utility w/ABS
605583	Ford	70/267	Rear	1992 1/2-93 1/2 Continental Bakery Chassis - 70U w/ABS
605584	Ford	70/267	Rear	1992 1/2-93 1/2 UPS Chassis - 70U w/ABS
605585	Chrysler/Dodge	60/248	Rear	1994-95 1/2 D2500 w/ABS
605586	Chrysler/Dodge	60/248	Rear	1994-95 1/2 W2500
605588	Chrysler/Dodge	70/267	Rear	1994-95 1/2 W2500
605590	Chrysler/Dodge	70/267	Rear	1994-95 1/2 D2500 w/ABS
605592	Chrysler/Dodge	80/286	Rear	1994-95 1/2 W3500
605593	Chrysler/Dodge	80/286	Rear	1994-95 1/2 D3500 w/ABS
605594	Chrysler/Dodge	80/286	Rear	1994-95 1/2 D/W3500 w/ABS
605595	Chrysler/Dodge	80/286	Rear	1994-95 1/2 D2500
605596	Chrysler/Dodge	80/286	Rear	1994-95 1/2 W2500
605601	General Motors	80/286	Rear	1993-96 1/2 Motor Home/Disc Brakes - 80
605602	Jeep	35/194	Rear	1994 ZJ w/ABS
605607	Jeep	35/194	Rear	1994 ZJ w/ABS
605608	Ford	70/267	Rear	1993 1/2-94 E-350 Chassis - DRW - 70U w/ABS
605609	Ford	70/267	Rear	1993 1/2-94 E-350 Motor Home - 70HD w/ABS
605623	Ford	60/248	Rear	1993-94 E-250 Van SRW - Semi Float w/ABS
605624	Ford	60/248	Rear	1993 1/2-94 E-350 Van SRW - Full Float
605632	Ford	80/286	Rear	1993-94 1/2 F-450 Chassis-DRW-Full Float
605633	Chrysler/Dodge	60/248	Rear	1994-95 1/2 D2500 w/ABS
605634	Chrysler/Dodge	60/248	Rear	1994-95 1/2 W2500
605638	General Motors	80/286	Rear	1994 1/2-95 1/2 P-Truck - 80
605639	Ford	60/248	Rear	1994-95 E-350 Van SRW - Full Float
605640	Ford	70/267	Rear	1994-94 1/2 E-350 Chassis - 70U



Bill of Material Number	Manufacturer	Model	Front/Rear	Application
605643	General Motors	80/286	Rear	1993 1/2-95 1/2 P-Truck - 80
605644	General Motors	80/286	Rear	1993-95 1/2 P-Truck - 80
605648	Chrysler/Dodge	44/216 ICA	Rear	1994-95 1/2 Viper
605649	General Motors	80/286	Rear	1995-95 1/2 GMT 455 - 80
605655	Jeep	35/194	Rear	1994 XJ Utility
605656	Jeep	35/194	Rear	1994 XJ Utility
605657	Jeep	35/194	Rear	1994 XJ Utility w/ABS
605658	Jeep	35/194	Rear	1994 XJ Utility w/ABS
605659	Jeep	35/194	Rear	1994 XJ Utility w/ABS
605660	Jeep	35/194	Rear	1994 XJ Utility
605661	Jeep	35/194	Rear	1994-96 YJ/TJ
605662	Jeep	35/194	Rear	1994-96 YJ/TJ w/ABS
605665	Ford	70/267	Rear	1993 1/2-94 E-350 Chassis - DRW - 70U w/ABS
605666	Ford	70/267	Rear	1993 1/2-94 E-350 Chassis - DRW - 70U w/ABS
605667	Ford	70/267	Rear	1993 1/2-94 1/2 E-350 Chassis - DRW - 70U w/ABS
605669	Ford	70/267	Rear	1993 1/2-94 E-350 SRW Cutaway, Wide Track 70 2U
605670	Ford	60/248	Rear	1994-94 1/2 E-350 Van SRW - Full Float
605671	Ford	70/267	Rear	1994 E-350 Chassis - DRW - 70U w/ABS
605672	Ford	70/267	Rear	1994-94 1/2 E-350 Motor Home - 70HD w/ABS
605673	Ford	70/267	Rear	1994-94 1/2 E-350 Chassis - DRW - 70U w/ABS
605674	Ford	70/267	Rear	1994-94 1/2 E-350 SRW Cutaway, Wide Track 70 2U
605675	Ford	70/267	Rear	1994-94 1/2 E-350 Motor Home - 70HD w/ABS
605684	Ford	60/248	Rear	1995-96 E-350 Van SRW - Full Float
605685	Ford	60/248	Rear	1995-96 E-350 Van SRW - Full Float
605686	Ford	70/267	Rear	1995-95 1/2 E-350 SRW Cutaway, Wide Track 70 2U
605687	Ford	70/267	Rear	1995-95 1/2 E-350 Chassis - DRW - 70U
605688	Ford	70/267	Rear	1995-95 1/2 E-350 Motor Home - 70HD
605689	Ford	70/267	Rear	1995-95 1/2 E-350 Chassis - DRW - 70U
605690	Ford	70/267	Rear	1995-95 1/2 E-350 Motor Home - 70HD w/ABS
605691	General Motors	80/286	Rear	1995-95 1/2 GMT 455 - 80
605692	Ford	70/267	Rear	1994 E-350 Chassis - DRW - 70HD
605693	Ford	70/267	Rear	1994 E-350 Chassis - DRW - 70HD
605695	General Motors	80/286	Rear	1994 1/2-95 1/2 GMT 455 - 80
605700	Ford	60/248	Rear	1995-96 E-250 Van SRW - Semi Float w/ABS
605706	Jeep	35/194	Rear	1995-96 ZJ w/ABS
605707	Jeep	35/194	Rear	1995-96 ZJ w/ABS
605710	Chrysler/Dodge	60/248	Rear	1994 1/2-97 1/2 B-300 Van w/ABS
605711	Chrysler/Dodge	60/248	Rear	1994 1/2-97 1/2 B-300 Van w/ABS
605712	General Motors	80/286	Rear	1994 1/2-95 1/2 P-Truck - 80
605713	Ford	60/248	Rear	1994 1/2 E-350 Van SRW - Full Float w/ABS
605714	Ford	70/267	Rear	1994 1/2-95 E-350 Chassis - DRW - 70HD
605715	Ford	70/267	Rear	1994 1/2-95 E-350 Motor Home - 70HD w/ABS
605717	Ford	80/286	Rear	1995-95 1/2 F-450 Chassis-DRW-Full Float
605718	Chrysler/Dodge	80/286	Rear	1995-97 Sweptline Vehicle
605719	General Motors	80/286	Rear	1995-95 1/2 Motor Home/Disc Brakes - 80
605722	Chrysler/Dodge	70/267	Rear	1995-95 1/2 Air Force Tow Vehicle w/ABS
605723	Chrysler/Dodge	70/267	Rear	1995-95 1/2 D2500 Air Force Tow Vehicle w/ABS
605725	Jeep	35/194	Rear	1994 XJ Utility w/ABS
605727	Jeep	35/194	Rear	1995-96 1/2 XJ Utility w/ABS
605728	Jeep	35/194	Rear	1995-96 XJ Utility

Bill of Material Number	Manufacturer	Model	Front/Rear	Application
605729	Jeep	35/194	Rear	1995-96 XJ Utility
605730	Jeep	35/194	Rear	1995-96 1/2 XJ Utility w/ABS
605731	Jeep	35/194	Rear	1995-96 XJ Utility w/ABS
605732	Jeep	35/194	Rear	1995-96 1/2 XJ Utility w/ABS
605733	Jeep	35/194	Rear	1995-96 1/2 XJ Utility
605735	Jeep	44/216	Rear	1996-99 ZJ w/ABS
605745	General Motors	80/286	Rear	1994 1/2-95 1/2 P-Truck - 80
605746	Jeep	35/194	Rear	1996 1/2 YJ/TJ w/ABS
605747	Jeep	35/194	Rear	1996 1/2 YJ/TJ
605750	Ford	60/248	Rear	1995-97 E-250 Van SRW - Semi Float w/ABS
605752	Chrysler/Dodge	44/216 ICA	Rear	1996-97 Viper
605753	General Motors	80/286	Rear	1995 1/2 GMT 455 - 80
605767	General Motors	80/286	Rear	1995-95 1/2 P-Truck - 80
605775	Jeep	35/194	Rear	1996-96 1/2 XJ Diesel
605776	Jeep	35/194	Rear	1996-96 1/2 XJ Diesel
605783	General Motors	80/286	Rear	1995-95 1/2 P-Truck - 80
605784	Chrysler/Dodge	60/248	Rear	1996-96 1/2 D2500 w/ABS
605785	Chrysler/Dodge	60/248	Rear	1996 W2500
605786	Chrysler/Dodge	70/267	Rear	1996 W2500
605787	Chrysler/Dodge	70/267	Rear	1996-96 1/2 D2500 w/ABS
605788	Chrysler/Dodge	80/286	Rear	1996-96 1/2 W3500
605789	Chrysler/Dodge	80/286	Rear	1996-96 1/2 D3500 w/ABS
605790	Chrysler/Dodge	80/286	Rear	1996-96 1/2 D/W3500 w/ABS
605791	Chrysler/Dodge	80/286	Rear	1996-96 1/2 D2500
605792	Chrysler/Dodge	80/286	Rear	1996 1/2 D2500
605793	Chrysler/Dodge	60/248	Rear	1996-96 1/2 D2500 w/ABS
605794	Chrysler/Dodge	60/248	Rear	1996 1/2 W2500
605797	Jeep	35/194	Rear	1996 1/2-97 ZJ w/ABS
605798	Jeep	35/194	Rear	1996 1/2-97 ZJ w/ABS
605807	Ford	80/286	Rear	1997-98 E-350 DRW Chassis - Full Float
605810	General Motors	80/286	Rear	1996-96 1/2 P-Truck - 80
605811	General Motors	80/286	Rear	1996-96 1/2 P-Truck - 80
605812	General Motors	80/286	Rear	1996-98 P-Truck - 80
605813	General Motors	80/286	Rear	1996 1/2 P-Truck - 80
605814	General Motors	80/286	Rear	1996-98 P-Truck - 80
605815	General Motors	80/286	Rear	1996-98 P-Truck - 80
605816	General Motors	80/286	Rear	1996-98 P-Truck - 80
605817	General Motors	80/286	Rear	1996-96 1/2 P-Truck - 80
605818	General Motors	80/286	Rear	1996-97 P-Truck - 80
605831	Ford	80/286	Rear	1996-98 F-450 Chassis-DRW-Full Float
605834	Ford	80/286	Rear	1996 E-350 DRW Chassis - Full Float
605838	General Motors	80/286	Rear	1996 1/2-97 P-Truck - 80
605839	General Motors	80/286	Rear	1996 1/2-97 P-Truck - 80
605840	General Motors	80/286	Rear	1996 1/2-97 P-Truck - 80
605841	Ford	60/248	Rear	1996-96 1/2 E-250 Van SRW - Semi Float w/ABS
605842	Ford	60/248	Rear	1996-96 1/2 E-350 Van SRW - Full Float
605843	Ford	60/248	Rear	1996 E-350 Van SRW - Full Float w/ABS
605844	Ford	70/267	Rear	1995-95 1/2 E-350 SRW Cutaway, Wide Track 70 2U
605845	Ford	70/267	Rear	1995-95 1/2 E-350 Chassis - DRW - 70U w/ABS
605846	Ford	70/267	Rear	1996-97 E-350 Motor Home - 70HD w/ABS



Bill of Material Number	Manufacturer	Model	Front/Rear	Application
605847	Ford	70/267	Rear	1996-97 E-350 Chassis - DRW - 70U w/ABS
605848	Ford	70/267	Rear	1996-97 E-350 Motor Home - 70HD w/ABS
605849	Jeep	44/216	Rear	1997 TJ LHD
605858	General Motors	80/286	Rear	1996 1/2 GMT 455 - 80
605859	Ford	60/248	Rear	1996-97 E-250 Van SRW - Semi Float w/ABS
605860	Ford	70/267	Rear	1996-97 E-350 Chassis - DRW - 70U w/ABS
605861	Ford	70/267	Rear	1996-97 E-350 Chassis - DRW - 70U w/ABS
605862	Ford	70/267	Rear	1996-97 E-350 Chassis - DRW - 70U w/ABS
605867	General Motors	80/286	Rear	1996-99 GMT 455 - 80
605868	General Motors	80/286	Rear	1996-98 GMT 455 - 80
605869	General Motors	80/286	Rear	1996-98 GMT 455 - 80
605871	Chrysler/Dodge	60/248	Rear	1998 B-300 Van w/ABS
605879	Chrysler/Dodge	70/267	Rear	1996-97 1/2 W2500 Air Force Tow Vehicle w/ABS
605880	Chrysler/Dodge	70/267	Rear	1996-97 1/2 W2500 Air Force Tow Vehicle w/ABS
605893	Jeep	35/194	Rear	1996 1/2 XJ Utility
605894	Jeep	35/194	Rear	1996 1/2 XJ Utility
605895	Jeep	35/194	Rear	1996 1/2 XJ Utility w/ABS
605896	General Motors	80/286	Rear	1996 1/2-97 P-Truck - 80
605898	Chrysler/Dodge	60/248	Rear	1997-97 1/2 D2500 w/ABS
605899	Chrysler/Dodge	60/248	Rear	1996 W2500
605900	Chrysler/Dodge	70/267	Rear	1996 W2500
605901	Chrysler/Dodge	70/267	Rear	1996-97 D2500 w/ABS
605902	Chrysler/Dodge	80/286	Rear	1997 W3500
605903	Chrysler/Dodge	80/286	Rear	1997 D3500 w/ABS
605904	Chrysler/Dodge	80/286	Rear	1997 D/W3500 w/ABS
605905	Chrysler/Dodge	80/286	Rear	1997 D2500
605906	Chrysler/Dodge	80/286	Rear	1997 W2500
605907	Chrysler/Dodge	60/248	Rear	1997-97 1/2 D2500 w/ABS
605908	Chrysler/Dodge	60/248	Rear	1997-97 1/2 W2500
605909	Jeep	35/194	Rear	1996 1/2 XJ Diesel w/ABS
605913	Jeep	35/194	Rear	1997 XJ Utility w/ABS
605914	Jeep	35/194	Rear	1997 XJ Utility w/ABS
605916	Jeep	35/194	Rear	1997 XJ Diesel
605918	Jeep	35/194	Rear	1997 XJ Utility w/ABS
605919	Jeep	35/194	Rear	1997 XJ Diesel w/ABS
605920	Ford	60/248	Rear	1996-99 E-250 Van SRW - Semi Float w/ABS
605921	Ford	60/248	Rear	1996-99 E-250 Van SRW - Semi Float w/ABS
605924	Ford	80/286	Rear	1998 1/2-99 1/2 F-350 Chassis DRW Full Float w/ABS
605925	Ford	80/286	Rear	1998 1/2-99 1/2 F-450 Chassis-DRW-Full Float
605926	Ford	80/286	Rear	1998 1/2-2000 F-350 Pick-Up DRW-Full Float
605929	Ford	70/267	Rear	1996 E-350 Motor Home - 70HD w/ABS
605933	Ford	60/248	Rear	1996 1/2-97 E-250 Van SRW - Semi Float w/ABS
605934	Ford	60/248	Rear	1996 1/2 E-350 Van SRW - Full Float
605935	Ford	60/248	Rear	1996 1/2 E-350 Van SRW - Full Float
605942	Ford	80/286	Rear	1998 1/2-99 1/2 F-350 Chassis DRW Full Float w/ABS
605944	Ford	80/286	Rear	1999 1/2 F-450 Motor Home DRW-Full Float w/ABS
605947	Ford	60/248	Rear	1997 1/2 E-250 Van SRW - Semi Float w/ABS
605948	Ford	60/248	Rear	1997 1/2 E-350 Van SRW - Full Float
605949	Ford	60/248	Rear	1997 1/2 E-350 Van SRW - Full Float
605950	Ford	70/267	Rear	1997 E-350 SRW Cutaway, Wide Track 70 2U

Bill of Material Number	Manufacturer	Model	Front/Rear	Application
605951	Ford	70/267	Rear	1997 E-350 Chassis - DRW - 70U w/ABS
605952	Jeep	44/216	Rear	1997 TJ RHD
605956	Jeep	35/194	Rear	1997 TJ ABS(change all bms to the other description TJ w/ABS)
605957	Jeep	35/194	Rear	1997 TJ LHD
605960	Jeep	35/194	Rear	1997-98 1/2 ZJ w/ABS
605961	Jeep	35/194	Rear	1997-98 1/2 ZJ w/ABS
605962	Jeep	44/216	Rear	1997-98 1/2 ZJ w/ABS
605965	Chrysler/Dodge	60/248	Rear	1998 B-300 Van w/ABS
605975	Chrysler/Dodge	80/286	Rear	1997 1/2 W3500
605976	Chrysler/Dodge	80/286	Rear	1997 1/2 D3500 w/ABS
605977	Chrysler/Dodge	80/286	Rear	1997 1/2 D/W3500 w/ABS
605978	Chrysler/Dodge	60/248	Rear	1998-98 1/2 D2500 w/ABS
605979	Chrysler/Dodge	60/248	Rear	1998 W2500
605980	Chrysler/Dodge	70/267	Rear	1998 W2500
605981	Chrysler/Dodge	70/267	Rear	1998 D2500 w/ABS
605982	Chrysler/Dodge	80/286	Rear	1998-98 1/2 W3500
605983	Chrysler/Dodge	80/286	Rear	1998-98 1/2 D3500 w/ABS
605984	Chrysler/Dodge	80/286	Rear	1998-98 1/2 D/W3500 w/ABS
605985	Chrysler/Dodge	80/286	Rear	1998-98 1/2 D2500
605987	Chrysler/Dodge	60/248	Rear	1998-98 1/2 D2500 w/ABS
605988	Chrysler/Dodge	60/248	Rear	1998-98 1/2 W2500
605992	Jeep	35/194	Rear	1997 1/2-2000 TJ w/ABS
605993	Jeep	35/194	Rear	1997 1/2-2000 TJ LHD
606005	Jeep	Super 35/198	Rear	1999-2000 WJ w/ABS
606008	Jeep	Super 44/226	Rear	1999-2000 WJ w/ABS
606012	Chrysler/Dodge	70/267	Rear	1997-98 W2500 Air Force Tow Vehicle w/ABS
606013	Chrysler/Dodge	70/267	Rear	1997-98 D2500 Air Force Tow Vehicle w/ABS
606014	Chrysler/Dodge	44/216 ICA	Rear	1998-2000 Viper
606015	Jeep	44/216	Rear	1998-99 TJ LHD
606016	Jeep	44/216	Rear	1997 1/2-99 TJ RHD
606017	Ford	60/248	Rear	1998-98 1/2 E-250 Van SRW - Semi Float w/ABS
606020	Ford	70/267	Rear	1998-98 1/2 E-350 SRW Cutaway, Wide Track 70U
606021	Ford	70/267	Rear	1998-98 1/2 E-350 Chassis - DRW - 70U w/ABS
606022	Ford	60/248	Rear	1999 E-250 Van SRW - Semi Float w/ABS
606023	Ford	60/248	Rear	2001 E-350 SRW - Semi Float - HD w/ABS
606026	Ford	70/267	Rear	1999 E-350 Cutaway SRW or Chassis DRW Option
606028	Ford	70/267	Rear	1997 1/2-98 1/2 E-350 Chassis - DRW
606029	Ford	60/248	Rear	1997 1/2-98 E-250 Van SRW - Semi Float w/ABS
606031	Jeep	35/194	Rear	1997 1/2-99 XJ Utility w/ABS
606032	Jeep	35/194	Rear	1997 1/2-99 XJ Utility w/ABS
606033	Jeep	35/194	Rear	1997 1/2-99 XJ Diesel
606034	Jeep	35/194	Rear	1997 1/2-99 XJ Utility w/ABS
606035	Jeep	35/194	Rear	1997 1/2-99 XJ Diesel w/ABS
606040	General Motors	80/286	Rear	1997-2000 P-Truck - 80
606041	General Motors	80/286	Rear	1997-2000 P-Truck - 80
606042	General Motors	80/286	Rear	1997-2000 P-Truck - 80
606043	General Motors	80/286	Rear	1997-2000 P-Truck - 80
606046	Jeep	44/216	Rear	1998-98 1/2 ZJ w/ABS
606047	Jeep	44/216	Rear	1998-98 1/2 ZJ w/ABS
606049	Ford	60/248	Rear	1998 E-350 Van SRW - Full Float w/ABS

Bill of Material Number	Manufacturer	Model	Front/Rear	Application
606050	Ford	60/248	Rear	1998 E-350 Van SRW - Full Float w/ABS
606054	Chrysler/Dodge	60/248	Rear	1997 1/2 W2500
606055	Chrysler/Dodge	70/267	Rear	1997 W2500
606056	Chrysler/Dodge	80/286	Rear	1997 1/2 W2500
606058	Chrysler/Dodge	60/248	Rear	1998-98 1/2 B-300 Van w/ABS
606059	Chrysler/Dodge	60/248	Rear	1998-98 1/2 B-300 Van w/ABS
606061	Jeep	Super 44/226	Rear	1999-2000 WJ w/ABS
606062	Chrysler/Dodge	60/248	Rear	1998-98 1/2 W2500
606063	Chrysler/Dodge	70/267	Rear	1998 W2500
606064	Chrysler/Dodge	80/286	Rear	1998-98 1/2 W2500
606073	General Motors	80/286	Rear	1998 1/2-99 GMT 455 - 80
606074	General Motors	80/286	Rear	1998 1/2-99 GMT 455 - 80
606076	Ford	80/286	Rear	1998 1/2 E-350 Super Duty - DRW - Full Float
606094	Chrysler/Dodge	70/267	Rear	1998 D2500 w/ABS
606095	Chrysler/Dodge	70/267	Rear	1998 W2500
606102	Ford	60/248	Rear	1998 1/2-99 E-250 Van SRW - Semi Float w/ABS
606103	Jeep	35/194	Rear	1998 1/2-99 XJ Utility
606108	Chrysler/Dodge	60/248	Rear	1998 B-300 Van w/ABS
606109	Ford	60/248	Rear	1999 E-350 Van SRW - Full Float w/ABS
606111	Chrysler/Dodge	80/286	Rear	2000 W3500
606112	Chrysler/Dodge	80/286	Rear	2000 D3500 w/ABS
606113	Chrysler/Dodge	80/286	Rear	2000 D/W3500 w/ABS
606114	Chrysler/Dodge	80/286	Rear	2000 D2500 w/ABS
606115	Chrysler/Dodge	80/286	Rear	2000 W2500
606117	Chrysler/Dodge	60/248	Rear	2000 D2500 w/ABS
606118	Chrysler/Dodge	60/248	Rear	2000 W2500
606119	Chrysler/Dodge	70/267	Rear	2000 W2500
606120	Chrysler/Dodge	70/267	Rear	2000 D2500 w/ABS
606123	General Motors	80/286	Rear	1998 1/2-99 GMT 455 - 80
606144	Ford	80/286	Rear	1999 E-350 Super Duty - DRW - Full Float
606145	Ford	70/267	Rear	1999-2000 1/2 E-350 Chassis - DRW
606146	Chrysler/Dodge	60/248	Rear	1999 D2500 w/ABS
606147	Chrysler/Dodge	60/248	Rear	1999 W2500
606148	Chrysler/Dodge	70/267	Rear	1999 W2500
606149	Chrysler/Dodge	70/267	Rear	1999 D2500 w/ABS
606150	Chrysler/Dodge	80/286	Rear	1999 D2500 w/ABS
606151	Chrysler/Dodge	80/286	Rear	1999 W2500
606152	Chrysler/Dodge	80/286	Rear	1999 D3500 w/ABS
606153	Chrysler/Dodge	80/286	Rear	1999 W3500
606154	Chrysler/Dodge	80/286	Rear	1999 D/W3500 w/ABS
606155	Chrysler/Dodge	60/248	Rear	1999 B-300 Van w/ABS
606156	Chrysler/Dodge	60/248	Rear	1999 B-300 Van w/ABS
606158	Ford	70/267	Rear	1998 1/2-99 E-350 Cutaway SRW or Chassis DRW Option
606159	Ford	70/267	Rear	1998 1/2 E-350 DRW Chassis - Full Float
606160	Ford	70/267	Rear	1998 E350 Chassis - DRW w/ABS
606161	Ford	60/248	Rear	1998 1/2-99 E-250 Van SRW - Semi Float w/ABS
606162	Ford	60/248	Rear	1998 1/2-99 E-350 Van SRW - Full Float w/ABS
606163	Ford	60/248	Rear	1998 E-250 Van SRW - Semi Float w/ABS
606164	Chrysler/Dodge	70/267	Rear	1999 W2500 Air Force Tow Vehicle w/ABS
606165	Chrysler/Dodge	70/267	Rear	1999 D2500 Air Force Tow Vehicle w/ABS

Bill of Material Number	Manufacturer	Model	Front/Rear	Application
606186	Jeep	Super 44/226	Rear	1999-2000 WJ w/ABS
606187	Jeep	Super 44/226	Rear	1999-2000 WJ w/ABS
606188	Ford	60/248	Rear	1999 1/2 E-250 Van SRW
606189	Ford	70/267	Rear	1999 1/2 E-350 Cutaway SRW or Chassis DRW Option
606190	Ford	60/248	Rear	1999-99 1/2 E-350 Van SRW - Full Float w/ABS
606192	Ford	60/248	Rear	1999 1/2 E-250 Van SRW
606193	Jeep	35/194	Rear	1999-2000 XJ w/ABS
606194	Jeep	35/194	Rear	1999-2001 XJ w/ABS
606195	Jeep	35/194	Rear	1999-2000 XJ
606196	Jeep	35/194	Rear	1999-2000 XJ
606197	Jeep	35/194	Rear	1999-2000 XJ w/ABS
606198	Jeep	35/194	Rear	1999-2000 XJ w/ABS
606199	Ford	60/248	Rear	1999-99 1/2 E-250 Chassis SRW
606201	General Motors	80/286	Rear	1999 1/2-2001 P-Truck - 80
606202	General Motors	80/286	Rear	1999 1/2-2001 P-Truck - 80
606203	General Motors	80/286	Rear	1999 1/2-2001 P-Truck - 80
606204	General Motors	80/286	Rear	1999 1/2-2001 P-Truck - 80 Wide Track
606205	Chrysler/Dodge	60/248	Rear	1999 B-300 Van w/ABS
606206	Chrysler/Dodge	60/248	Rear	1999 B-300 Van w/ABS
606207	Ford	70/267	Rear	2000 E-450 Super Duty DRW w/ABS
606211	General Motors	80/286	Rear	1999 1/2 GMT 455 - 80
606212	General Motors	80/286	Rear	1999 1/2 GMT 455 - 80 Wide Track
606213	General Motors	80/286	Rear	1999 1/2 GMT 455 - 80
606214	General Motors	80/286	Rear	1999 1/2 GMT 455 - 80
606217	Ford	80/286	Rear	1999 1/2 E-450 Super Duty DRW w/ABS
606224	Ford	80/286	Rear	2000 F-350 Chassis DRW Full Float w/ABS
606225	Ford	80/286	Rear	2000 F-450 Chassis-DRW-Full Float w/ABS
606226	Ford	80/286	Rear	2000 F-350 Pick-up DRW-Full Float w/ABS
606227	Ford	80/286	Rear	2000 F-350 Chassis DRW Full Float w/ABS
606228	Ford	80/286	Rear	2000 F-450 Motor Home DRW-Full Float w/ABS
606231	Ford	70/267	Rear	2000 E-350 Cutaway SRW or Chassis DRW Option
606232	Ford	60/248	Rear	1999 1/2-2000 E-350 Van SRW - Full Float w/ABS
606239	Chrysler/Dodge	60/248	Rear	2000 D2500 w/ABS
606240	Chrysler/Dodge	60/248	Rear	2000 W2500
606241	Chrysler/Dodge	70/267	Rear	2000 D2500 w/ABS
606242	Chrysler/Dodge	70/267	Rear	2000 W2500
606243	Chrysler/Dodge	80/286	Rear	2000 D2500 w/ABS
606244	Chrysler/Dodge	80/286	Rear	2000 W2500
606245	Chrysler/Dodge	80/286	Rear	2000 D3500 w/ABS
606246	Chrysler/Dodge	80/286	Rear	2000 W3500
606247	Chrysler/Dodge	80/286	Rear	2000 D/W3500 w/ABS
606249	Chrysler/Dodge	70/267	Rear	2000 D2500 Air Force Tow Vehicle w/ABS
606250	Chrysler/Dodge	70/267	Rear	2000 W2500 Air Force Tow Vehicle w/ABS
606263	Ford	80/286	Rear	2000 F-350 Pick-up DRW-Full Float w/ABS
606264	Chrysler/Dodge	60/248	Rear	2001 D2500 w/ABS
606265	Chrysler/Dodge	60/248	Rear	2001 W2500
606266	Chrysler/Dodge	70/267	Rear	2001 D2500 w/ABS
606267	Chrysler/Dodge	70/267	Rear	2001 W2500
606268	Chrysler/Dodge	80/286	Rear	2001 W3500
606269	Chrysler/Dodge	80/286	Rear	2001 D3500 w/ABS

Bill of Material Number	Manufacturer	Model	Front/ Rear	Application
606270	Chrysler/Dodge	80/286	Rear	2001 D/W3500 w/ABS
606271	Chrysler/Dodge	80/286	Rear	2001 D2500 w/ABS
606272	Chrysler/Dodge	80/286	Rear	2001 W2500
606273	Chrysler/Dodge	70/267	Rear	2001 W2500 Air Force Tow Vehicle w/ABS
606274	Chrysler/Dodge	70/267	Rear	2001 D2500 Air Force Tow Vehicle w/ABS
606306	Ford	60/248	Rear	2000-00 1/2 E-250 Van SRW - Semi Float w/ABS
606307	Ford	60/248	Rear	2000-00 1/2 E-250 Van SRW - Semi Float w/ABS
606310	Ford	80/286	Rear	2000 1/2 F-350 Pick-up DRW-Full Float w/ABS
606313	Ford	60/248	Rear	2000 E-250 Van SRW - Semi Float w/ABS
606314	Ford	60/248	Rear	2000 1/2 E-350 Van SRW - Full Float w/ABS
606316	Jeep	35/194	Rear	2000-01 XJ
606319	Ford	70/267	Rear	2000 1/2 E-350 Chassis HD DRW w/ABS
606320	Ford	70/267	Rear	2000 E-350 Cutaway SRW or Chassis DRW Option
606321	Ford	80/286	Rear	2000 E-450 Super Duty DRW w/ABS
606507	Jeep	Super 44/226	Rear	2002 WJ w/ABS
606521	Chrysler/Dodge	44/216 ICA	Rear	2000 1/2 Viper
606522	Ford	60/248	Rear	2000 1/2 E-350 Van SRW - Full Float w/ABS
606523	Ford	70/267	Rear	2000 1/2 E-350 Cutaway SRW or Chassis DRW Option
606540	Ford	70/267	Rear	2002 E-450 Super Duty DRW w/ABS
606541	Chrysler/Dodge	60/248	Rear	2000 D2500 w/ABS
606542	Chrysler/Dodge	60/248	Rear	2000 W2500
606543	Chrysler/Dodge	70/267	Rear	2000 D2500 w/ABS
606544	Chrysler/Dodge	70/267	Rear	2000 W2500
606545	Chrysler/Dodge	80/286	Rear	2000 D2500 w/ABS
606546	Chrysler/Dodge	80/286	Rear	2000 W2500
606547	Chrysler/Dodge	80/286	Rear	2000 D3500 w/ABS
606548	Chrysler/Dodge	80/286	Rear	2000 W3500
606549	Chrysler/Dodge	80/286	Rear	2000 D/W3500 w/ABS
606551	Jeep	Super 35/198	Rear	2001 WJ w/ABS
606552	Jeep	Super 44/226	Rear	2001 WJ w/ABS
606553	Jeep	Super 44/226	Rear	2001 WJ w/ABS
606554	Jeep	Super 44/226	Rear	2001 WJ w/ABS
606555	Jeep	Super 44/226	Rear	2001 WJ w/ABS
606557	Jeep	35/194	Rear	2001 XJ w/ABS
606559	Jeep	35/194	Rear	2001 XJ
606560	Jeep	35/194	Rear	2001 XJ
606561	Jeep	35/194	Rear	2001 XJ w/ABS
606562	Jeep	35/194	Rear	2001 XJ w/ABS
606563	Jeep	35/194	Rear	2001 TJ ABS(change all bms to the other description TJ w/ABS)
606564	Jeep	35/194	Rear	2001 TJ LHD
606565	Jeep	44/216	Rear	2001 TJ LHD
606566	Jeep	44/216	Rear	2001 TJ RHD
606567	Jeep	44/216	Rear	2001 TJ LHD
606592	Ford	70/267	Rear	2001 E-350 DSO
606601	Ford	60/248	Rear	2001 E-250 Van SRW - Semi Float w/ABS
606602	Ford	60/248	Rear	2001 E-250 Van SRW - Semi Float w/ABS
606603	Ford	60/248	Rear	2001 E-250 Van SRW - Semi Float w/ABS
606604	Ford	60/248	Rear	2001 E-350 Van SRW - Full Float w/ABS
606605	Ford	70/267	Rear	2001 E350 Chassis - DRW w/ABS
606606	Ford	70/267	Rear	2001 E-450 Super Duty DRW w/ABS



# BILL OF MATERIAL NUMERICAL LISTING

Bill of Material Number	Manufacturer	Model	Front/Rear	Application
606609	Ford	80/286	Rear	2000 1/2 F-350 Chassis DRW Full Float w/ABS
606610	Ford	80/286	Rear	2000 F-450 Chassis-DRW-Full Float w/ABS
606611	Ford	80/286	Rear	2001 F-350 Pick-up DRW-Full Float w/ABS
606612	Ford	80/286	Rear	2001 F-350 Chassis DRW Full Float w/ABS
606613	Ford	80/286	Rear	2001 F53 Motor Home - Chassis - Full Float w/ABS
606614	Ford	80/286	Rear	2001 F-350 Pick-up DRW-Full Float w/ABS
606626	Jeep	44/216	Rear	2002 TJ
606642	Jeep	44/216	Rear	2002 TJ RHD
606646	Jeep	44/216	Rear	2001-02 TJ
606647	Jeep	44/216	Rear	2001-02 TJ RHD
606648	Jeep	44/216	Rear	2001-02 TJ LHD
606649	Jeep	35/194	Rear	2001 XJ w/ABS
606650	Jeep	35/194	Rear	2001 XJ w/ABS
606651	Jeep	35/194	Rear	2001 XJ
606652	Jeep	35/194	Rear	2001 XJ Diesel w/ABS
606653	Jeep	35/194	Rear	2001 XJ w/ABS
606654	Jeep	35/194	Rear	2001 XJ Diesel w/ABS
606655	Jeep	35/194	Rear	2001-02 TJ ABS
606656	Jeep	35/194	Rear	2001-02 TJ LHD
606705	Chrysler/Dodge	60/248	Rear	2001 D2500 w/ABS
606706	Chrysler/Dodge	60/248	Rear	2001 W2500
606707	Chrysler/Dodge	70/267	Rear	2001 D2500 w/ABS
606708	Chrysler/Dodge	70/267	Rear	2001 W2500
606709	Chrysler/Dodge	80/286	Rear	2001 D2500 w/ABS
606710	Chrysler/Dodge	80/286	Rear	2001 W2500
606711	Chrysler/Dodge	80/286	Rear	2001 D3500 w/ABS
606712	Chrysler/Dodge	80/286	Rear	2001 W3500
606713	Chrysler/Dodge	80/286	Rear	2001 D/W3500 w/ABS
606714	Chrysler/Dodge	60/248	Rear	2001 B-300 Van w/ABS
606716	Jeep	Super 35/198	Rear	2001 XJ w/ABS
606752	Ford	60/248	Rear	2002 E-250 Van SRW - Semi Float w/ABS
606756	Ford	70/267	Rear	2002 E-350 DRW Full Float
606773	Ford	80/286	Rear	2002 1/2 F-350 Chassis DRW Full Float w/ABS
606774	Ford	80/286	Rear	2002 1/2 F-350 Chassis DRW Full Float w/ABS
606775	Ford	80/286	Rear	2002 1/2 F-350 Pick-up DRW-Full Float w/ABS
606777	Ford	80/286	Rear	2002 F-350 Chassis DRW Full Float w/ABS
606778	Ford	80/286	Rear	2002 F-450 Chassis-DRW-Full Float w/ABS
606779	Ford	80/286	Rear	2002 F53 Motor Home - Chassis - Full Float w/ABS
606780	Ford	80/286	Rear	2002 F-350 Chassis DRW Full Float w/ABS
606781	Ford	80/286	Rear	2002 F-350 Pick-up DRW-Full Float w/ABS
606836	Ford	60/248	Rear	2002 E-250 Van SRW - Semi Float w/ABS
606847	Ford	60/248	Rear	2002 E-250 Van SRW - Semi Float w/ABS
606850	Jeep	44/216	Rear	2003 TJ
606851	Jeep	44/216	Rear	2003 TJ RHD
606852	Jeep	44/216	Rear	2003 TJ LHD
606866	Jeep	44/216	Rear	2003 TJ RHD
606875	Jeep	44/216	Rear	2003 TJ LHD
606941	Jeep	44/216	Rear	2003 TJ RHD
606953	Jeep	44/216	Rear	2003 TJ RHD
606959	Jeep	44/216	Rear	2003 TJ

Bill of Material Number	Manufacturer	Model	Front/Rear	Application
606960	Jeep	44/216	Rear	2003-04 TJ RHD
606961	Jeep	44/216	Rear	2003-04 TJ LHD
606969	Jeep	Super 35/198	Rear	2003 WJ w/ABS
606970	Jeep	Super 44/226	Rear	2003 WJ w/ABS
606971	Jeep	Super 44/226	Rear	2003 WJ w/ABS
606988	Jeep	44/216	Rear	2003 TJ
606989	Jeep	44/216	Rear	2003 TJ RHD
606998	Jeep	44/216	Rear	2004-05 TJ
607006	Jeep	44/216	Rear	2003 TJ RHD
607007	Jeep	44/216	Rear	2003 TJ LHD
607008	Jeep	44/216	Rear	2003-05 TJ
607009	Jeep	44/216	Rear	2003 TJ RHD
607011	Jeep	44/216	Rear	2003 TJ LHD
607012	Jeep	44/216	Rear	2003 TJ LHD
607015	Jeep	44/216	Rear	2003 TJ RHD w/ABS
607016	Jeep	44/216	Rear	2003 TJ RHD w/ABS
610023	Ford	60/248	Front	1978-79 F-250 & F-350 (Snow Fighter)
610027	Chrysler/Dodge	44/216	Front	1979 W-100
610028	Chrysler/Dodge	44/216	Front	1979 W-200
610053	Jeep	30/181	Front	1979 CJ5/CJ7 - External Type Wheel End
610054	General Motors	44/216	Front	1979 Blazer & K-10
610055	General Motors	44/216	Front	1978-79 K-20
610056	General Motors	44/216	Front	1979 K-20
610057	General Motors	60/248	Front	1979-80 K-30
610062	Ford	44/216 IFS	Front	1980 Bronco & F-150
610063	Ford	44/216 IFS	Front	1980 F-250 3/4-Ton Pick-Up (Part Time Transfer Case)
610064	Ford	50/229	Front	1980 F-350
610066	Ford	44/216	Front	1979 F-150 1/2 Ton Pick-Up (Full Time Transfer Case)
610067	Ford	44/216	Front	1979 F-150 1/2 Ton Pick-Up (Part-Time Transfer Case)
610068	Ford	44/216	Front	1979 F-150 Super Cab
610069	Ford	44/216	Front	1979 F-250 3/4 Ton Pick-Up (Full or PT Transfer Case)
610076	Chrysler/Dodge	44CDA	Front	1980 W-100
610077	Chrysler/Dodge	44CDA	Front	1980 W-200
610078	Jeep	30/181 IFS	Front	1980-81 IFS - Eagle - Non-Disconnect
610079	General Motors	44/216	Front	1980 K-20
610080	General Motors	44/216	Front	1979-80 K-20
610081	General Motors	44/216	Front	1979-80 K-20
610084	Chrysler/Dodge	44/216	Front	1980-83 W-200
610086	Jeep	30/181	Front	1980 CJ5/CJ7 - External Type Wheel End
610089	Jeep	44/216	Front	1980 J10, J20, Wide Track Cherokee
610090	Jeep	44/216	Front	1980 Wagoneer / Cherokee
610127	Chrysler/Dodge	44/216	Front	1981-84 W-100
610128	Chrysler/Dodge	44/216	Front	1981-84 W-200
610132	General Motors	60/248	Front	1981 K-30
610134	Jeep	30/181 IFS	Front	1981 IFS - Eagle - Disconnect
610135	Chrysler/Dodge	60/248	Front	1981-85 D-600 & D-700
610136	Jeep	30/181	Front	1981 CJ5/CJ7 - External Type Wheel End
610139	Jeep	44/216	Front	1981-85 J10, J20, Wide Track Cherokee
610140	Jeep	44/216	Front	1981-85 Wagoneer / Cherokee
610146	Ford	44/216 IFS	Front	1981 F-250 & F-350 HD



# BILL OF MATERIAL NUMERICAL LISTING

Bill of Material Number	Manufacturer	Model	Front/Rear	Application
610147	Ford	50/229	Front	1981-82 F-250 & F-350 (Snow Fighter)
610152	Jeep	30/181 IFS	Front	1982-82 1/2 IFS - Eagle - Non-Disconnect
610153	Jeep	30/181 IFS	Front	1982-82 1/2 IFS - Eagle - Disconnect
610154	Jeep	30/181	Front	1981 1/2 CJ5/CJ7 - External Type Wheel End
610156	Jeep	30/181	Front	1982-83 CJ5 - External Type Wheel End
610157	Jeep	44/216	Front	1982-84 Wagoneer, Cherokee Disconnect STD Track
610158	Jeep	44/216	Front	1982-84 J10, J20, Wide Track Cherokee
610159	General Motors	60/248	Front	1982-87 K-30
610160	Chrysler/Dodge	44/216	Front	1985-89 D-600 (Export)
610164	Jeep	30/181	Front	1982-87 CJ7/CJ8 - External Type Wheel End
610166	Ford	44/216 IFS	Front	1981 1/2-82 F-150 Snow Plow
610167	Ford	44/216 IFS	Front	1983 F-150 Snow Plow
610168	Ford	44/216 IFS	Front	1983 Bronco & F-150
610169	Ford	44/216 IFS	Front	1983 F-250 & F-350 HD
610170	Ford	50/229	Front	1983 F-250
610171	Ford	28/174 IFS	Front	1983-84 Ranger
610172	Jeep	30/181	Front	1984 XJ Disconnect, CV
610173	Jeep	30/181 IFS	Front	1983-84 IFS - Eagle - Non-Disconnect
610174	Jeep	30/181 IFS	Front	1983-84 IFS - Eagle - Disconnect
610175	Jeep	30/181	Front	1984-87 XJ Disconnect, Cardan
610177	Ford	44/216 IFS	Front	1984 F-150 Snow Plow
610178	Ford	44/216 IFS	Front	1984 Bronco & F-150
610179	Ford	44/216 IFS	Front	1984 F-250 & F-350 HD
610180	Ford	50/229	Front	1984 F-250 & F-350 (Snow Fighter)
610182	Jeep	30/181	Front	1984-85 XJ Disconnect, Cardan, System Sentry
610183	Jeep	30/181	Front	1985-87 XJ Non-Disconnect, Cardan - Live Spindle Wheel End
610185	Ford	44/216 IFS	Front	1981-82 Bronco II & F-150
610197	Ford	44/216 IFS	Front	1984 1/2-85 F-150 Snow Plow
610198	Ford	44/216 IFS	Front	1984 1/2-85 Bronco & F-150
610199	Ford	44/216 IFS	Front	1984 1/2-85 F-250
610200	Ford	50/229	Front	1984 1/2 F-250 & F-350 (Snow Fighter)
610201	General Motors	60/248	Front	1984-88 CUCV
610202	General Motors	60/248	Front	1984-85 K-30
610206	Jeep	30/181	Front	1985 XJ Non-Disconnect, Cardan - Live Spindle Wheel End
610216	Chrysler/Dodge	44/216	Front	1985-86 D-500 & D-800
610217	Chrysler/Dodge	44/216	Front	1985-86 D-600
610220	Ford	60/248	Front	1985 F-350
610221	Jeep	30/181	Front	1985 XJ Non-Disconnect, CV, System Sentry - Live Spindle WE
610222	Jeep	30/181	Front	1985-86 XJ Non-Disconnect, CV - Live Spindle Wheel End
610223	Ford	28/174 IFS	Front	1984 1/2-85 Ranger/Bronco II
610227	Jeep	44/216	Front	1985 Grand Wagoneer
610228	Jeep	44/216	Front	1985 4X2, Military - Dead Front
610229	Ford	44/216 IFS	Front	1985 F-250
610230	Ford	50/229	Front	1985 F-250 & F-350 (Snow Fighter)
610231	Ford	44/216 IFS	Front	1985 F-250 & F-350 HD
610232	Ford	50/229	Front	1985 1/2 F-350
610234	Jeep	30/181	Front	1985-86 XJ 4X2, System Sentry (Dead Front)
610235	Jeep	30/181 IFS	Front	1985-87 1/2 IFS - Eagle - Non-Disconnect - CV
610236	Chrysler/Dodge	60/248	Front	1985-88 D-600 & D-700
610237	Jeep	30/181	Front	1985 XJ 4X2, System Sentry (Dead Front)

Bill of Material Number	Manufacturer	Model	Front/Rear	Application
610241	Ford	44/216 IFS	Front	1985 1/2 Bronco & F-150
610242	Ford	44/216 IFS	Front	1985 1/2 F-150 Snow Plow
610243	Ford	44/216 IFS	Front	1985 1/2 F-250
610244	Jeep	30/181	Front	1986 CJ7, LH Steering, H/L - External Type Wheel End
610246	Jeep	44/216	Front	1986 J10
610247	Jeep	44/216	Front	1986 Grand Wagoneer
610248	Jeep	44/216	Front	1986 J20
610249	Ford	28/174 IFS	Front	1986-87 Ranger/Bronco II
610254	Ford	50/229	Front	1986-87 F-250 & F-350 (Snow Fighter)
610255	Ford	60/248	Front	1986-88 F-350 Monobeam DRW
610256	Jeep	30/181	Front	1986-89 XJ 4X2 (Dead Front)
610257	Chrysler/Dodge	44/216	Front	1986 1/2-87 1/2 D-500 & D-800
610258	Chrysler/Dodge	44/216	Front	1986-87 1/2 D-600
610259	Jeep	30/181	Front	1986 YJ Disconnect
610261	Ford	44/216 IFS	Front	1986 Bronco & F-150
610262	Ford	44/216 IFS	Front	1986 Bronco & F-150
610263	Ford	44/216 IFS	Front	1986 F-150 Snow Plow
610264	Ford	44/216 IFS	Front	1986-87 F-250
610265	Chrysler/Dodge	61/248	Front	1987-88 D-600 & D-700
610266	Ford	44/216 IFS	Front	1987-88 F-150 Snow Plow
610267	Ford	44/216 IFS	Front	1987-88 Bronco & F-150
610268	Ford	44/216 IFS	Front	1987-88 Bronco & F-150
610269	Jeep	30/181	Front	1986 YJ Non-Disconnect - Live Spindle Wheel End
610270	Chrysler/Dodge	44/216	Front	1992-93 1/2 D-600 & D-800
610271	Chrysler/Dodge	44/216	Front	1992-93 1/2 D-600
610277	Chrysler/Dodge	44/216	Front	1988-88 1/2 D-500 & D-800
610278	Chrysler/Dodge	44/216	Front	1988-88 1/2 D-600
610279	Jeep	30/181	Front	1987 1/2-88 XJ Disconnect
610280	Jeep	30/181	Front	1987 1/2-88 XJ Non-Disconnect - Live Spindle Wheel End
610281	Jeep	30/181	Front	1987-88 YJ Disconnect
610282	Jeep	30/181	Front	1987-88 YJ Non-Disconnect - Live Spindle Wheel End
610283	Jeep	44/216	Front	1987-88 Grand Wagoneer
610284	Jeep	44/216	Front	1987-87 1/2 J10
610285	Jeep	44/216	Front	1987-87 1/2 J20
610294	Jeep	30/181	Front	1987 1/2-88 XJ Non-Discon. w/ABS Anti Skid-Live Spindle WE
610295	General Motors	60/248	Front	1988-91 1/2 V-30
610297	Jeep	30/181	Front	1988 XJ Disconnect, Valeo Export
610298	Ford	28/174 IFS	Front	1987 1/2 Ranger/Bronco II
610300	Ford	35/194 IFS	Front	1990 Ranger/Bronco II
610303	Ford	28/174 IFS	Front	1990-92 Aerostar
610304	Ford	50/229	Front	1988-88 1/2 F-250 & F-350 (Snow Fighter)
610305	Ford	60/248	Front	1988 F-350 Monobeam SRW
610306	Ford	44/216 IFS	Front	1988 F-250
610307	Ford	28/174 IFS	Front	1988-89 Ranger/Bronco II
610309	Ford	44/216 IFS	Front	1988 1/2 F-150 Snow Plow, Bronco
610310	Ford	44/216 IFS	Front	1988 1/2-92 Bronco & F-150
610311	Ford	44/216 IFS	Front	1988 1/2-91 Bronco & F-150
610312	Ford	50/229	Front	1989-92 1/2 F-250 & F-350 (Snow Fighter)
610313	Ford	60/248	Front	1988 1/2-91 1/2 F-350 Monobeam SRW
610316	Jeep	30/181	Front	1992 1/2-93 1/2 XJ 4X2 (Dead Front)

Bill of Material Number	Manufacturer	Model	Front/Rear	Application
610317	Jeep	30/181	Front	1990-90 1/2 XJ Disconnect
610318	Jeep	30/181	Front	1990-91 1/2 XJ Non-Disconnect - Live Spindle Wheel End
610319	Jeep	30/181	Front	1990-90 1/2 YJ Disconnect
610320	Jeep	30/181	Front	1990-91 1/2 YJ Non-Disconnect - Live Spindle Wheel End
610321	Jeep	30/181	Front	1988 1/2-89 XJ Disconnect
610322	Jeep	30/181	Front	1988 1/2-89 XJ Non-Disconnect - Live Spindle Wheel End
610323	Jeep	30/181	Front	1988 1/2-89 YJ Disconnect
610324	Jeep	30/181	Front	1988 1/2-89 YJ Non-Disconnect - Live Spindle Wheel End
610325	Jeep	44/216	Front	1988 1/2-92 Grand Wagoneer
610327	Jeep	30/181	Front	1988 1/2-89 XJ Non-Discon. w/ABS Anti Skid-Live Spindle WE
610328	Jeep	30/181	Front	1988 1/2-89 XJ Disconnect, Valeo Export
610329	Chrysler/Dodge	44/216	Front	1988-88 1/2 D-500 & D-800
610331	Chrysler/Dodge	44/216	Front	1989-90 D-600
610332	Chrysler/Dodge	60/248	Front	1989 D-600 & D-700
610333	Chrysler/Dodge	61/248	Front	1989 D-600 & D-700
610334	Jeep	30/181	Front	1988 XJ Non-Disconnect, Valeo Export-Live Spindle WE
610335	Ford	44/216 IFS	Front	1988 1/2-92 Bronco & F-150
610336	Jeep	30/181	Front	1990-91 1/2 XJ Non-Disconnect, w/ABS - Live Spindle
610337	Jeep	30/181	Front	1988 1/2-89 XJ Non-Disconnect, Valeo Export-Live Spindle WE
610339	Jeep	30/181	Front	1990-90 1/2 XJ Disconnect, Valeo Export
610340	Jeep	30/181	Front	1990-90 1/2 XJ Non-Disconnect, Valeo Export-Live Spindle WE
610341	Chrysler/Dodge	60/248	Front	1989-90 D-600
610342	Chrysler/Dodge	61/248	Front	1989 D-600 & D-700
610346	Jeep	30/181	Front	1992 1/2-93 ZJ w/ABS, CV Joint
610348	Jeep	30/181	Front	1992-93 1/2 XJ 4X2 (Dead Front) w/ABS
610351	Jeep	30/181	Front	1990 1/2-91 1/2 XJ 4X2 (Dead Front)
610355	Chrysler/Dodge	44/216	Front	1990-91 1/2 D-500 & D-800
610356	Chrysler/Dodge	44/216	Front	1991-91 1/2 D-600
610357	Chrysler/Dodge	60/248	Front	1991-91 1/2 D-600
610358	Chrysler/Dodge	61/248	Front	1991-92 D-600 & D-700
610360	Chrysler/Dodge	44/216	Front	1991-91 1/2 D-600
610361	Jeep	30/181	Front	1991-91 1/2 XJ Disconnect
610362	Jeep	30/181	Front	1991-91 1/2 YJ Disconnect
610363	Jeep	30/181	Front	1991 XJ Disconnect
610365	Ford	35/194 IFS	Front	1990 1/2-92 1/2 Ranger/Bronco II
610366	Ford	35/194 IFS	Front	1990 1/2-92 1/2 Explorer
610367	Jeep	30/181	Front	1995-97 XJ Non-Disconnect, Cardan - Live Spindle Wheel End
610369	Ford	28/174 IFS	Front	1992 1/2 Aerostar
610371	Ford	60/248	Front	1992 F-350 (Uses Socket Assy Instead of King Pin Assy)
610372	Jeep	30/181	Front	1991 XJ Non-Disconnect - Live Spindle Wheel End
610373	Jeep	30/181	Front	1991 XJ Non-Disconnect
610374	Jeep	30/181	Front	1991 XJ Non-Disconnect, w/ABS - Live Spindle
610375	Jeep	30/181	Front	1991 XJ 4X2 (Dead Front)
610379	Jeep	30/181	Front	1992-93 1/2 XJ Non-Disconnect w/ABS
610381	Jeep	30/181	Front	1993-93 1/2 YJ Disconnect w/ABS
610383	Jeep	30/181	Front	1993-93 1/2 XJ Non-Disconnect - Live Spindle Wheel End
610391	Jeep	30/181	Front	1992-93 1/2 XJ Non-Disconnect
610392	Jeep	30/181	Front	1992-93 1/2 YJ Non-Disconnect
610393	Jeep	30/181	Front	1992-93 1/2 YJ Disconnect
610398	Chrysler/Dodge	60/248	Front	1992 D-600

Bill of Material Number	Manufacturer	Model	Front/Rear	Application
610400	Jeep	30/181	Front	1993 ZJ (Dead Front) w/ABS
610401	Jeep	30/181	Front	1991 1/2 XJ Disconnect
610402	Jeep	30/181	Front	1991 1/2 XJ Non-Disconnect
610403	Jeep	30/181	Front	1991 1/2 XJ Non-Disconnect w/ABS
610404	Jeep	30/181	Front	1991 1/2-92 1/2 XJ 4X2 (Dead Front)
610405	Chrysler/Dodge	60/248	Front	1993 D-600 & D-700
610406	Chrysler/Dodge	61/248	Front	1993-93 1/2 D-600 & D-700
610407	Ford	44/216 IFS	Front	1992 1/2 Bronco & F-150
610408	Ford	44/216 IFS	Front	1992 1/2 Bronco & F-150
610410	Ford	35/194 IFS	Front	1993-94 1/2 Explorer w/ABS
610411	Ford	44/216 IFS	Front	1993-93 1/2 Bronco w/ABS
610413	Jeep	30/181	Front	1993-93 1/2 XJ Non-Disconnect, w/ABS - Live Spindle
610414	Ford	44/216 IFS	Front	1993-93 1/2 Bronco & F-150
610416	Jeep	30/181	Front	1993-93 1/2 XJ 4X2 (Dead Front) w/ABS
610417	Jeep	30/181	Front	1993-93 1/2 XJ Non-Disconnect w/ABS
610418	Ford	28/174 IFS	Front	1993-94 1/2 Ranger
610419	Ford	35/194 IFS	Front	1993-94 1/2 Ranger
610422	Chrysler/Dodge	44/216	Front	1994-94 1/2 W1500
610423	Chrysler/Dodge	44/216	Front	1994-94 1/2 W2500
610424	Chrysler/Dodge	44/216	Front	1994-94 1/2 W1500
610425	Chrysler/Dodge	44/216	Front	1994-94 1/2 W2500
610426	Chrysler/Dodge	60/248	Front	1994-94 1/2 W2500 HD w/ABS
610427	Chrysler/Dodge	60/248	Front	1994 D3500 (Dead Front)
610428	Chrysler/Dodge	60/248	Front	1994-94 1/2 W3500
610430	Chrysler/Dodge	60/248	Front	1992-92 1/2 D-600 & D-700
610431	Chrysler/Dodge	61/248	Front	1992-92 1/2 D-600 & D-700
610432	Ford	60/248	Front	1993-93 1/2 F-350
610436	Ford	35/194 IFS	Front	1992 1/2 Ranger
610437	Ford	35/194 IFS	Front	1992 1/2 Explorer
610438	Jeep	30/181	Front	1993 ZJ w/ABS, CV Joint
610439	Ford	50/229	Front	1993-94 F-250 & F-350 (Snow Fighter)
610440	Chrysler/Dodge	60/248	Front	1994-94 1/2 W2500 HD
610443	Ford	44/216 IFS	Front	1994 Bronco w/ABS
610444	Ford	44/216 IFS	Front	1994 Bronco & F-150
610445	Ford	60/248	Front	1994 F-350
610446	Ford	44/216 IFS	Front	1995 Bronco & F-150
610447	Ford	44/216 IFS	Front	1994 Bronco w/ABS
610448	Ford	28/174 IFS	Front	1992 1/2-97 Aerostar
610449	Jeep	30/181	Front	1993 1/2 ZJ w/ABS
610450	Jeep	30/181	Front	1993 1/2 ZJ w/ABS
610451	Jeep	30/181	Front	1993 1/2 ZJ w/ABS
610452	Jeep	30/181	Front	1993 1/2 ZJ (Dead Front) w/ABS
610453	Jeep	30/181	Front	1994 XJ 4X2 (Dead Front)
610459	Ford	50/229	Front	1995 F-250 & F-350 (Snow Fighter)
610460	Ford	60/248	Front	1995 F-350
610461	Jeep	30/181	Front	1994-96 YJ Disconnect
610462	Jeep	30/181	Front	1994-96 YJ Disconnect w/ABS
610463	Jeep	30/181	Front	1994-96 YJ Non-Disconnect
610464	Jeep	30/181	Front	1994 YJ Disconnect
610465	Jeep	30/181	Front	1994 ZJ (Dead Front) w/ABS

# BILL OF MATERIAL NUMERICAL LISTING

Bill of Material Number	Manufacturer	Model	Front/Rear	Application
610466	Jeep	30/181	Front	1994 XJ Non-Disconnect
610467	Jeep	30/181	Front	1994 XJ Non-Disconnect
610468	Jeep	30/181	Front	1994 XJ Non-Disconnect - Live Spindle Wheel End
610469	Jeep	30/181	Front	1994 XJ Non-Disconnect, w/ABS - Live Spindle
610472	Jeep	30/181	Front	1994 XJ 4X2 (Dead Front) w/ABS
610473	Jeep	30/181	Front	1994-96 ZJ w/ABS
610474	Jeep	30/181	Front	1994-94 1/2 ZJ w/ABS
610475	Jeep	30/181	Front	1994-97 ZJ (Dead Front) w/ABS
610476	Ford	35/194 IFS	Front	1995 Explorer - Disconnect
610478	Jeep	30/181	Front	1994-96 ZJ w/ABS
610483	Ford	35/194 IFS	Front	1995-97 1/2 Ranger w/ABS
610484	Ford	28/174 IFS	Front	1995-97 1/2 Ranger w/ABS
610489	Jeep	30/181	Front	1997 TJ RHD
610500	Jeep	30/181	Front	1994 1/2-96 XJ 4X2 (Dead Front)
610501	Jeep	30/181	Front	1994 1/2-97 XJ 4X2 (Dead Front) w/ABS
610502	Jeep	30/181	Front	1994 1/2-97 XJ Non-Disconnect
610503	Jeep	30/181	Front	1994 1/2-97 XJ Non-Disconnect w/ABS
610504	Jeep	30/181	Front	1994 1/2-97 XJ RHD
610505	Jeep	30/181	Front	1994 1/2-97 XJ RHD w/ABS
610506	Jeep	30/181	Front	1994 1/2-97 XJ RHD, (Dead Front)
610507	Jeep	30/181	Front	1994 1/2-97 XJ RHD, (Dead Front)
610512	Chrysler/Dodge	44/216	Front	1995-96 1/2 W1500
610513	Chrysler/Dodge	44/216	Front	1995-96 1/2 W2500
610514	Chrysler/Dodge	44/216	Front	1995 W1500
610515	Chrysler/Dodge	44/216	Front	1995 W2500
610517	Chrysler/Dodge	60/248	Front	1995-96 W3500
610518	Chrysler/Dodge	60/248	Front	1995-96 W2500 HD
610528	Jeep	30/181	Front	1995-97 XJ Non-Disconnect w/ABS
610530	Chrysler/Dodge	60/248	Front	1995-96 1/2 D3500 (Dead Front)
610532	Chrysler/Dodge	60/248	Front	1995-96 Air Force Tow Vehicle
610537	Chrysler/Dodge	44/216	Front	1995-95 1/2 W1500
610538	Chrysler/Dodge	44/216	Front	1995-95 1/2 W2500
610539	Chrysler/Dodge	60/248	Front	1995-95 1/2 W2500 HD w/ABS
610540	Chrysler/Dodge	60/248	Front	1995-95 1/2 W3500
610541	Chrysler/Dodge	60/248	Front	1995 D3500 (Dead Front) w/ABS
610556	Ford	35/194 IFS	Front	1998 Explorer - Non-Disconnect - CV
610557	Jeep	30/181	Front	1995 1/2-97 XJ RHD
610558	Jeep	30/181	Front	1995-97 XJ Non-Disconnect w/ABS
610572	Jeep	30/181	Front	1996 1/2-97 1/2 ZJ w/ABS
610573	Jeep	30/181	Front	1996 1/2-97 1/2 ZJ w/ABS
610576	Chrysler/Dodge	35/194 IFS	Front	1997-99 Dakota
610581	Ford	35/194 IFS	Front	1995-96 Explorer - Disconnect- CV
610582	Ford	35/194 IFS	Front	1995-96 Explorer - Disconnect
610585	Ford	35/194 IFS	Front	1996 Explorer - Non-Disconnect - CV
610586	Ford	35/194 IFS	Front	1996 Explorer - Non-Disconnect
610602	Chrysler/Dodge	44/216	Front	1996 W1500
610603	Chrysler/Dodge	44/216	Front	1996 W2500
610604	Chrysler/Dodge	60/248	Front	1996 W2500 HD w/ABS
610605	Chrysler/Dodge	60/248	Front	1996 W3500
610606	Chrysler/Dodge	60/248	Front	1996 D3500 (Dead Front) w/ABS



Bill of Material Number	Manufacturer	Model	Front/Rear	Application
610607	Ford	44/216 IFS	Front	1996 1/2 Bronco & F-150
610608	Ford	44/216 IFS	Front	1996 1/2 Bronco w/ABS
610609	Ford	50/229	Front	1996 1/2-97 F-250 & F-350 (Snow Fighter)
610610	Ford	60/248	Front	1996 1/2-97 F-350
610612	Chrysler/Dodge	44/216	Front	1996 W1500
610613	Chrysler/Dodge	44/216	Front	1996 W2500
610614	Chrysler/Dodge	44/216	Front	1996 1/2 W1500
610615	Chrysler/Dodge	44/216	Front	1996 1/2 W2500
610616	Chrysler/Dodge	60/248	Front	1996 1/2 W2500 HD
610617	Chrysler/Dodge	60/248	Front	1996 1/2 W2500 HD w/ABS
610618	Chrysler/Dodge	60/248	Front	1996 1/2 W3500
610619	Chrysler/Dodge	60/248	Front	1996 1/2 W3500
610621	Chrysler/Dodge	60/248	Front	1996 D3500 (Dead Front) w/ABS
610622	Chrysler/Dodge	60/248	Front	1996 1/2 Air Force Tow Vehicle
610629	Jeep	30/181	Front	1997 TJ w/ABS
610630	Jeep	30/181	Front	1997 TJ
610631	Chrysler/Dodge	44/216	Front	1997-97 1/2 W1500
610632	Chrysler/Dodge	44/216	Front	1997-97 1/2 W2500
610633	Chrysler/Dodge	44/216	Front	1997-97 1/2 W1500
610634	Chrysler/Dodge	44/216	Front	1997-97 1/2 W2500
610635	Chrysler/Dodge	60/248	Front	1997 W2500 HD
610636	Chrysler/Dodge	60/248	Front	1997 W2500 HD w/ABS
610637	Chrysler/Dodge	60/248	Front	1997 W3500
610638	Chrysler/Dodge	60/248	Front	1997 W3500
610639	Chrysler/Dodge	60/248	Front	1997 D3500 (Dead Front)
610640	Chrysler/Dodge	60/248	Front	1997 D3500 (Dead Front) w/ABS
610642	Ford	35/194 IFS	Front	1998-98 1/2 Explorer/Ranger - Non-Disconnect - CV
610643	Ford	35/194 IFS	Front	1998-98 1/2 Explorer - Non-Disconnect
610644	Ford	35/194 IFS	Front	1997 1/2 Explorer - Non-Disconnect - CV
610645	Ford	35/194 IFS	Front	1998-98 1/2 Explorer - Non-Disconnect
610652	Ford	35/194 IFS	Front	1997-97 1/2 Ranger
610653	Ford	28/174 IFS	Front	1997 Ranger
610654	Ford	50/229	Front	1998 1/2-99 F-250/350 SRW (4x4) w/ABS
610659	Ford	50/229	Front	1998 1/2-99 F-250/350 SRW (4x4)
610663	Jeep	30/181	Front	1997-97 1/2 ZJ w/ABS
610664	Jeep	30/181	Front	1997-97 1/2 ZJ w/ABS
610665	Jeep	30/181	Front	1997-97 1/2 ZJ (Dead Front) w/ABS
610667	Jeep	30/181	Front	1997 1/2 XJ 4X2 (Dead Front)
610668	Jeep	30/181	Front	1997 1/2 XJ 4X2 (Dead Front) w/ABS
610669	Jeep	30/181	Front	1997 1/2 XJ 4X2 (Dead Front)
610670	Jeep	30/181	Front	1997 1/2 XJ 4X2 (Dead Front) w/ABS
610671	Jeep	30/181	Front	1997 XJ Non-Disconnect - Live Spindle Wheel End
610672	Jeep	30/181	Front	1997 1/2 XJ Non-Disconnect, w/ABS - Live Spindle
610673	Jeep	30/181	Front	1997 1/2 XJ Non-Disconnect - Live Spindle Wheel End
610674	Jeep	30/181	Front	1997 1/2 XJ Non-Disconnect, w/ABS - Live Spindle
610675	Jeep	30/181	Front	1997 1/2 XJ Diesel
610676	Jeep	30/181	Front	1997 1/2 XJ Diesel w/ABS
610677	Jeep	30/181	Front	1997 1/2 XJ Diesel
610678	Jeep	30/181	Front	1997 1/2 XJ Diesel w/ABS
610680	Jeep	30/181	Front	1997 1/2 TJ RHD

Bill of Material Number	Manufacturer	Model	Front/Rear	Application
610681	Jeep	30/181	Front	1997 1/2 TJ w/ABS
610682	Jeep	30/181	Front	1997 1/2 TJ
610708	Chrysler/Dodge	60/248	Front	1997 W2500 HD
610714	Chrysler/Dodge	60/248	Front	1997 1/2 Air Force Tow Vehicle
610715	Chrysler/Dodge	44/216	Front	1998-98 1/2 W1500
610717	Chrysler/Dodge	44/216	Front	1998-98 1/2 W1500
610719	Chrysler/Dodge	60/248	Front	1998-98 1/2 W2500 HD
610720	Chrysler/Dodge	60/248	Front	1998-98 1/2 W3500
610722	Chrysler/Dodge	60/248	Front	1998-98 1/2 W3500
610723	Chrysler/Dodge	60/248	Front	1998-98 1/2 W3500
610724	Chrysler/Dodge	60/248	Front	1998 D3500 (Dead Front)
610725	Chrysler/Dodge	60/248	Front	1998 D3500 (Dead Front) w/ABS
610727	Chrysler/Dodge	60/248	Front	1997 W2500 HD
610728	Chrysler/Dodge	60/248	Front	1997 W2500 HD w/ABS
610729	Chrysler/Dodge	60/248	Front	1997 1/2 W3500
610730	Chrysler/Dodge	60/248	Front	1997 1/2 W3500
610731	Chrysler/Dodge	60/248	Front	1997 D3500 (Dead Front)
610732	Chrysler/Dodge	60/248	Front	1997 D3500 (Dead Front) w/ABS
610733	Jeep	30/181	Front	1999 WJ (Dead Front)
610734	Jeep	30/181	Front	1999 WJ CV w/ABS
610735	Jeep	30/181	Front	1999 WJ w/ABS
610738	Chrysler/Dodge	60/248	Front	1997 1/2 W2500 HD
610739	Chrysler/Dodge	60/248	Front	1997 1/2 W2500 HD w/ABS
610740	Ford	50/229	Front	1997 1/2-98 F-250 & F-350 (Snow Fighter)
610741	Ford	60/248	Front	1997 1/2-98 F-350
610742	Jeep	Super 30/186	Front	1999 WJ CV w/ABS
610745	Chrysler/Dodge	60/248	Front	1997 W2500 HD
610746	Chrysler/Dodge	60/248	Front	1997 W2500 HD w/ABS
610748	Jeep	30/181	Front	1998-98 1/2 ZJ w/ABS
610749	Jeep	30/181	Front	1998-98 1/2 ZJ w/ABS, CV Joint
610750	Jeep	30/181	Front	1998-98 1/2 ZJ (Dead Front) w/ABS
610751	Jeep	30/181	Front	1998-98 1/2 ZJ w/ABS, CV Joint
610752	Jeep	30/181	Front	1998-98 1/2 ZJ w/ABS
610755	Jeep	30/181	Front	1998-98 1/2 TJ
610756	Jeep	30/181	Front	1998-98 1/2 TJ w/ABS
610757	Jeep	30/181	Front	1998-98 1/2 TJ RHD
610758	Jeep	30/181	Front	1998-98 1/2 XJ Non-Discon. Cardan - Live Spindle Wheel End
610759	Jeep	30/181	Front	1998-98 1/2 XJ Non-Disconnect, w/ABS - Live Spindle
610760	Jeep	30/181	Front	1998-98 1/2 XJ Non-Disconnect - Live Spindle Wheel End
610761	Jeep	30/181	Front	1998-98 1/2 XJ Non-Disconnect, w/ABS - Live Spindle
610762	Jeep	30/181	Front	1998-98 1/2 XJ Diesel
610763	Jeep	30/181	Front	1998-98 1/2 XJ Diesel w/ABS
610764	Jeep	30/181	Front	1998-98 1/2 XJ Diesel
610765	Jeep	30/181	Front	1998-98 1/2 XJ Diesel w/ABS
610766	Jeep	30/181	Front	1998-98 1/2 XJ 4X2 (Dead Front)
610767	Jeep	30/181	Front	1998-98 1/2 XJ 4X2 (Dead Front) w/ABS
610768	Jeep	30/181	Front	1998-98 1/2 XJ 4X2 (Dead Front)
610769	Jeep	30/181	Front	1998-98 1/2 XJ 4X2 (Dead Front) w/ABS
610774	Ford	35/194 IFS	Front	1999 Explorer - Non-Disconnect - CV
610786	Chrysler/Dodge	44/216	Front	1999 W1500



Bill of Material Number	Manufacturer	Model	Front/Rear	Application
610787	Chrysler/Dodge	44/216	Front	1999 W1500
610788	Chrysler/Dodge	60/248	Front	1999 W2500 HD
610789	Chrysler/Dodge	60/248	Front	1999 W3500
610791	Chrysler/Dodge	60/248	Front	1999 W3500
610792	Chrysler/Dodge	44/216	Front	1998 1/2 W1500
610793	Chrysler/Dodge	44/216	Front	1998 1/2 W1500
610794	Chrysler/Dodge	60/248	Front	2000 D3500 (Dead Front) w/ABS
610800	Chrysler/Dodge	44/216	Front	2000 W1500
610801	Chrysler/Dodge	44/216	Front	2000 W1500
610808	Chrysler/Dodge	60/248	Front	1998 W2500 HD
610809	Chrysler/Dodge	60/248	Front	1998 1/2 W3500
610810	Chrysler/Dodge	60/248	Front	1998 W2500 HD w/ABS
610811	Chrysler/Dodge	60/248	Front	1998 1/2 W3500
610812	Chrysler/Dodge	60/248	Front	1998 D3500 (Dead Front)
610813	Chrysler/Dodge	60/248	Front	1998 D3500 (Dead Front) w/ABS
610814	Chrysler/Dodge	44/216	Front	1998 W1500
610815	Chrysler/Dodge	44/216	Front	1998 W1500
610826	Chrysler/Dodge	44/216	Front	1999 W1500
610827	Chrysler/Dodge	44/216	Front	1999 W1500
610828	Chrysler/Dodge	60/248	Front	1999 W2500 HD
610829	Chrysler/Dodge	60/248	Front	1999 W2500 HD w/ABS
610830	Chrysler/Dodge	60/248	Front	1999 W3500
610831	Chrysler/Dodge	60/248	Front	1999 D3500 (Dead Front) w/ABS
610832	Chrysler/Dodge	60/248	Front	1999 Air Force Tow Vehicle
610833	Ford	Super 30/186	Front	2001 Exploror
610834	Chrysler/Dodge	44/216	Front	1999 W1500
610835	Chrysler/Dodge	44/216	Front	1999 W1500
610836	Chrysler/Dodge	60/248	Front	2000 W2500 HD
610837	Chrysler/Dodge	60/248	Front	2000 W2500 HD w/ABS
610838	Chrysler/Dodge	60/248	Front	2000 W3500
610839	Chrysler/Dodge	60/248	Front	2000 D3500 (Dead Front) w/ABS
610840	Chrysler/Dodge	60/248	Front	1999 D3500 (Dead Front)
610847	Chrysler/Dodge	44/216	Front	2000 W1500
610848	Chrysler/Dodge	44/216	Front	2000 W1500
610849	Jeep	30/181	Front	1998 X1 Non-Disconnect
610850	Jeep	30/181	Front	1998 X1 Non-Disconnect w/ABS
610851	Jeep	30/181	Front	1998 X1 Non-Disconnect, RH Steering
610852	Jeep	30/181	Front	1998 X1 Non-Disconnect, RH Steering w/ABS
610853	Jeep	30/181	Front	1998 X1 Non-Disconnect, Diesel w/ABS
610854	Jeep	30/181	Front	1998 X1 (Dead Front)
610855	Jeep	30/181	Front	1998 X1 (Dead Front) w/ABS
610856	Jeep	30/181	Front	2000 XJ
610857	Jeep	30/181	Front	2000 XJ w/ABS
610858	Jeep	30/181	Front	2000 XJ RHD
610859	Jeep	30/181	Front	2000 XJ RHD w/ABS
610862	Jeep	Super 30/186	Front	1999 1/2 WJ CV w/ABS
610863	Jeep	Super 30/186	Front	1999 1/2 WJ w/ABS
610864	Jeep	Super 30/186	Front	1999 1/2 WJ CV w/ABS
610865	Jeep	Super 30/186	Front	1999 1/2 WJ CV w/ABS
610866	Jeep	Super 30/186	Front	1999 1/2 WJ CV w/ABS

# BILL OF MATERIAL NUMERICAL LISTING

Bill of Material Number	Manufacturer	Model	Front/Rear	Application
610867	Jeep	30/181	Front	1999 1/2 WJ (Dead Front)
610868	Jeep	Super 30/186	Front	1999 1/2 WJ CV w/ABS
610869	Jeep	30/181	Front	1999 XJ Non-Disconnect - Live Spindle Wheel End
610870	Jeep	30/181	Front	1999 XJ Non-Disconnect, w/ABS - Live Spindle
610871	Jeep	30/181	Front	1999 XJ RHD
610872	Jeep	30/181	Front	1999 XJ RHD w/ABS
610873	Jeep	30/181	Front	1999 XJ LHD DIESEL
610874	Jeep	30/181	Front	1999 XJ LHD DIESEL w/ABS
610875	Jeep	30/181	Front	1999 XJ RHD DIESEL
610876	Jeep	30/181	Front	1999 XJ RHD DIESEL w/ABS
610877	Jeep	30/181	Front	1999 XJ (Dead Front)
610878	Jeep	30/181	Front	1999 XJ w/ABS (Dead Front)
610879	Jeep	30/181	Front	1999 XJ RHD, (Dead Front)
610880	Jeep	30/181	Front	1999 XJ RHD w/ABS (Dead Front)
610881	Jeep	30/181	Front	1999 TJ
610882	Jeep	30/181	Front	1999 TJ w/ABS
610883	Jeep	30/181	Front	1999 TJ RHD
610892	Ford	50/229	Front	1999 1/2-2000 F-250/350 SRW (4x4)
610893	Ford	50/229	Front	1999 1/2-2000 F-250/350 SRW (4x4) w/ABS
610894	Ford	60/248	Front	2000 F350 DRW (4x4)
610895	Ford	60/248	Front	2000 F450/550 DRW (4x4)
610896	Ford	60/248	Front	2000 F450/550 DRW (4X2) Dead Front
610897	Ford	60/248	Front	2000 F450/550 DRW (4X2) Dead Front
610898	Chrysler/Dodge	60/248	Front	2000 D3500 (Dead Front)
610899	Chrysler/Dodge	60/248	Front	2000 Air Force Tow Vehicle
610904	Jeep	30/181	Front	1999 X1 Non-Disconnect, RH Steering
610905	Jeep	30/181	Front	1999 X1 Non-Disconnect, RH Steering w/ABS
610906	Jeep	30/181	Front	1999 X1 Non-Disconnect
610907	Jeep	30/181	Front	1999 X1 Non-Disconnect w/ABS
610908	Jeep	30/181	Front	1999 X1 Non-Disconnect, Diesel w/ABS
610909	Jeep	30/181	Front	1999 X1 (Dead Front)
610910	Jeep	30/181	Front	1999 X1 (Dead Front) w/ABS
610911	Chrysler/Dodge	44/216	Front	2000 W1500 Off Road Axle
610915	Jeep	30/181	Front	1999 XJ (Dead Front)
610916	Jeep	30/181	Front	2000 XJ w/ABS (Dead Front)
610917	Jeep	30/181	Front	2000 XJ RHD, (Dead Front)
610919	Jeep	Super 30/186	Front	1999 WJ CV w/ABS
610920	Jeep	Super 30/186	Front	1999 WJ CV w/ABS
610921	Jeep	Super 30/186	Front	1999 WJ CV w/ABS
610922	Jeep	Super 30/186	Front	1999 WJ CV w/ABS
610923	Jeep	30/181	Front	1999 WJ (Dead Front)
610924	Jeep	Super 30/186	Front	1999 WJ CV w/ABS
610926	Jeep	Super 30/186	Front	1999 WJ CV w/ABS
610927	Jeep	Super 30/186	Front	1999 WJ CV w/ABS
610930	Jeep	30/181	Front	1999 XJ Non-Disconnect, w/ABS - Live Spindle
610937	Jeep	30/181	Front	2000 XJ w/ABS (Dead Front)
610938	Chrysler/Dodge	44/216	Front	2000 W1500
610939	Chrysler/Dodge	44/216	Front	2000 W1500
610940	Chrysler/Dodge	44/216	Front	2000 W1500 Off Road Axle
610941	Chrysler/Dodge	60/248	Front	2000 W2500 HD w/ABS

Bill of Material Number	Manufacturer	Model	Front/Rear	Application
610942	Chrysler/Dodge	60/248	Front	2000 W3500
610943	Chrysler/Dodge	60/248	Front	2000 D3500 (Dead Front) w/ABS
610944	Jeep	30/181	Front	1999 XJ w/ABS (Dead Front)
610945	Jeep	30/181	Front	2000 XJ w/ABS
610946	Jeep	Super 30/186	Front	2000 WJ CV w/ABS
610947	Jeep	Super 30/186	Front	2000 WJ CV w/ABS
610948	Jeep	Super 30/186	Front	2000 WJ CV w/ABS
610949	Jeep	Super 30/186	Front	2000 WJ CV w/ABS
610950	Jeep	30/181	Front	1999 WJ (Dead Front)
610951	Jeep	Super 30/186	Front	2000 WJ CV w/ABS
610952	Jeep	Super 30/186	Front	2000 WJ CV w/ABS
610953	Jeep	Super 30/186	Front	2000 WJ CV w/ABS
610954	Ford	60/248	Front	2000 F350 DRW (4x4)
610967	Jeep	30/181	Front	2000 XJ
610968	Jeep	30/181	Front	2000 XJ w/ABS
610969	Jeep	30/181	Front	2000 XJ RHD
610970	Jeep	30/181	Front	2000 XJ RHD w/ABS
610971	Jeep	30/181	Front	2000 XJ LHD DIESEL
610972	Jeep	30/181	Front	2000 XJ LHD DIESEL w/ABS
610973	Jeep	30/181	Front	2000 XJ RHD DIESEL
610974	Jeep	30/181	Front	2000 XJ RHD DIESEL w/ABS
610975	Jeep	30/181	Front	2000 XJ RHD
610976	Jeep	30/181	Front	2000 XJ Non-Disconnect - Live Spindle Wheel End
610977	Jeep	30/181	Front	2000 XJ Non-Disconnect - Live Spindle Wheel End
610979	Ford	50/229	Front	2000 F250/350 Excursion SRW (4x4) w/ABS
610980	Jeep	30/181	Front	2000 XJ
610992	Ford	50/229	Front	2000 1/2 F-250/350 SRW (4x4)
610993	Ford	50/229	Front	2000 1/2 F-250/350 SRW (4x4) w/ABS
610994	Ford	60/248	Front	2000 1/2 F350 DRW (4x4)
610995	Ford	60/248	Front	2000 1/2 F450/550 DRW (4x4)
610996	Ford	60/248	Front	2000 1/2 F450/550 DRW (4X2) Dead Front
610997	Ford	60/248	Front	2000 1/2 F450/550 DRW (4X2) Dead Front
610998	Ford	60/248	Front	2000 F350 DRW (4x4)
610999	Ford	50/229	Front	2000 1/2 F250/350 Excursion SRW (4x4) w/ABS
611003	Jeep	30/181	Front	2000 X1 (Dead Front)
611007	Jeep	Super 30/186	Front	2000 WJ CV w/ABS
611008	Jeep	Super 30/186	Front	2000 WJ CV w/ABS
611009	Jeep	Super 30/186	Front	2000 WJ CV w/ABS
611010	Jeep	Super 30/186	Front	2000 WJ CV w/ABS
611011	Jeep	30/181	Front	1999 WJ (Dead Front)
611012	Jeep	Super 30/186	Front	2000 WJ CV w/ABS
611013	Jeep	Super 30/186	Front	2000 WJ CV w/ABS
611014	Jeep	Super 30/186	Front	2000 WJ CV w/ABS
611034	Jeep	Super 30/186	Front	2001 KJ
611036	Jeep	Super 30/186	Front	2000-01 KJ
611044	Ford	35/194 IFS	Front	2000 Sport Trac Pick-Up
611048	Chrysler/Dodge	44/216	Front	2000-01 W1500
611049	Chrysler/Dodge	44/216	Front	2000-01 W1500
611050	Chrysler/Dodge	44/216	Front	2000-01 W1500
611053	Ford	35/194 IFS	Front	2001 Ranger

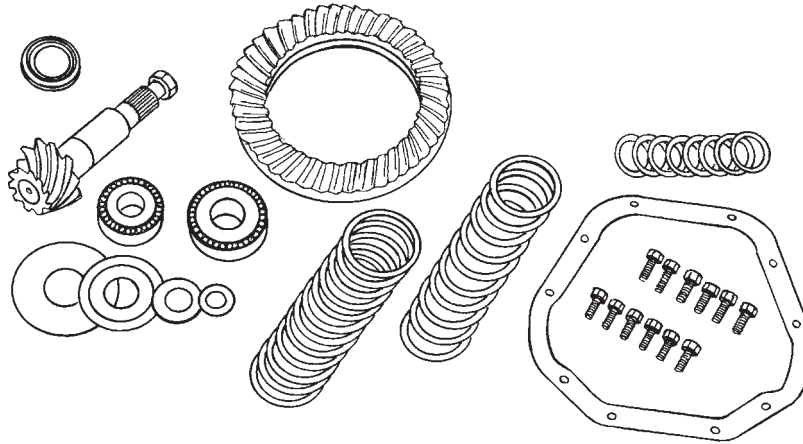
Bill of Material Number	Manufacturer	Model	Front/Rear	Application
611054	Chrysler/Dodge	60/248	Front	2000-01 W2500 HD
611055	Chrysler/Dodge	60/248	Front	2000-01 W2500 HD w/ABS
611056	Chrysler/Dodge	60/248	Front	2000-01 W3500
611057	Chrysler/Dodge	60/248	Front	2000 D3500 (Dead Front) w/ABS
611058	Chrysler/Dodge	60/248	Front	2000 D3500 (Dead Front)
611059	Chrysler/Dodge	60/248	Front	2000-01 W2500 Air Force Tow Vehicle
611071	Ford	50/229	Front	2000 F-250/350 SRW (4x4) w/ABS
611072	Ford	60/248	Front	2000 F350 DRW (4x4)
611073	Ford	60/248	Front	2000 F450/550 DRW (4x4)
611074	Ford	60/248	Front	2000 F350 DRW (4x4)
611075	Chrysler/Dodge	60/248	Front	2000 W2500 HD
611076	Chrysler/Dodge	60/248	Front	2000 W2500 HD w/ABS
611077	Chrysler/Dodge	60/248	Front	2000 W3500
611078	Chrysler/Dodge	60/248	Front	2000 D3500 (Dead Front) w/ABS
611079	Chrysler/Dodge	60/248	Front	2000 D3500 (Dead Front)
611090	Jeep	Super 30/186	Front	2001 KJ
611092	Jeep	Super 30/186	Front	2000-01 KJ
611093	Jeep	Super 30/186	Front	2000 WJ CV w/ABS
611094	Jeep	Super 30/186	Front	2000 WJ CV w/ABS
611095	Jeep	Super 30/186	Front	2000 WJ CV w/ABS
611096	Jeep	Super 30/186	Front	2000 WJ CV w/ABS
611097	Jeep	30/181	Front	2001 WJ (Dead Front)
611098	Jeep	Super 30/186	Front	2000 WJ CV w/ABS
611099	Jeep	Super 30/186	Front	2000 WJ CV w/ABS
611100	Jeep	Super 30/186	Front	2000 WJ CV w/ABS
611101	Jeep	30/181	Front	2001 XJ
611102	Jeep	30/181	Front	2001 XJ w/ABS
611103	Jeep	30/181	Front	2001 XJ RHD
611104	Jeep	30/181	Front	2001 XJ RHD w/ABS
611105	Jeep	30/181	Front	2001 XJ w/ABS
611106	Jeep	30/181	Front	2001 XJ
611107	Jeep	30/181	Front	2001 XJ w/ABS
611109	Jeep	30/181	Front	2001 XJ RHD w/ABS
611110	Jeep	30/181	Front	2001 XJ RHD
611113	Jeep	30/181	Front	2001 XJ
611114	Jeep	30/181	Front	2001-02 TJ
611115	Jeep	30/181	Front	2001-02 TJ
611116	Jeep	30/181	Front	2001-02 TJ RHD
611117	Jeep	Super 30/186	Front	2001 WJ CV w/ABS
611118	Jeep	Super 30/186	Front	2001 WJ CV w/ABS
611119	Jeep	Super 30/186	Front	2001 WJ CV w/ABS
611120	Jeep	Super 30/186	Front	2001 WJ CV w/ABS
611121	Jeep	Super 30/186	Front	2001 WJ CV w/ABS
611122	Jeep	Super 30/186	Front	2001 WJ CV w/ABS
611123	Jeep	Super 30/186	Front	2001 WJ (Dead Front)
611124	Jeep	Super 30/186	Front	2001 WJ CV w/ABS
611125	Jeep	Super 30/186	Front	2001 WJ CV w/ABS
611126	Jeep	Super 30/186	Front	2001 WJ CV w/ABS
611130	Jeep	30/181	Front	2001 XJ
611131	Jeep	30/181	Front	2001 XJ LHD DIESEL w/ABS

Bill of Material Number	Manufacturer	Model	Front/Rear	Application
611132	Jeep	30/181	Front	2001 XJ RHD DIESEL
611133	Jeep	30/181	Front	2001 XJ RHD DIESEL w/ABS
611149	Chrysler/Dodge	44/216	Front	2001 W1500
611150	Chrysler/Dodge	44/216	Front	2001 W1500
611151	Chrysler/Dodge	44/216	Front	2001 W1500
611153	Chrysler/Dodge	60/248	Front	2001 W2500 HD
611154	Chrysler/Dodge	60/248	Front	2001 W2500 HD w/ABS
611155	Chrysler/Dodge	60/248	Front	2001 W3500
611156	Chrysler/Dodge	60/248	Front	2001 D3500 (Dead Front) w/ABS
611157	Chrysler/Dodge	60/248	Front	2001 D3500 (Dead Front)
611159	Ford	60/248	Front	2002 F-250/350 SRW (4x4)
611166	Jeep	Super 30/186	Front	2001 WJ CV w/ABS
611172	Chrysler/Dodge	60/248	Front	2001 1/2 D3500 (Dead Front)
611173	Chrysler/Dodge	60/248	Front	2001 1/2 W2500 HD w/ABS
611174	Chrysler/Dodge	60/248	Front	2001 1/2 W3500
611175	Chrysler/Dodge	60/248	Front	2001 1/2 D3500 (Dead Front) w/ABS
611176	Chrysler/Dodge	60/248	Front	2001 1/2 W2500 HD
611194	Ford	50/229	Front	2001 F-250/350 SRW (4x4)
611195	Ford	60/248	Front	2001 F350 DRW (4x4)
611196	Ford	60/248	Front	2001-02 F450/550 DRW (4x4)
611197	Ford	60/248	Front	2001 F350 DRW (4x4)
611201	Ford	60/248	Front	2002 F450/550 DRW (4x4)
611219	Jeep	Super 30/186	Front	2002 WJ (Dead Front)
611230	Jeep	Super 30/186	Front	2002-03 KJ
611231	Jeep	Super 30/186	Front	2000-01 KJ
611251	Jeep	Super 30/186	Front	2002 WJ CV w/ABS
611252	Jeep	Super 30/186	Front	2002 WJ CV w/ABS
611253	Jeep	Super 30/186	Front	2002 WJ CV w/ABS
611254	Jeep	Super 30/186	Front	2002 WJ CV w/ABS
611278	Jeep	Super 30/186	Front	2002 WJ CV w/ABS
611279	Jeep	Super 30/186	Front	2001 WJ CV w/ABS
611280	Jeep	Super 30/186	Front	2002 WJ CV w/ABS
611281	Jeep	Super 30/186	Front	2002 WJ CV w/ABS
611282	Jeep	Super 30/186	Front	2002 WJ CV w/ABS
611283	Jeep	Super 30/186	Front	2002 WJ CV w/ABS
611284	Jeep	30/181	Front	2002 WJ (Dead Front)
611285	Jeep	Super 30/186	Front	2002 WJ CV w/ABS
611286	Jeep	Super 30/186	Front	2002 WJ CV w/ABS
611287	Jeep	Super 30/186	Front	2002 WJ CV w/ABS
611288	Jeep	Super 30/186	Front	2002 WJ CV w/ABS
611289	Jeep	Super 30/186	Front	2002 WJ CV w/ABS
611297	Jeep	44/216	Front	2003-04 TJ w/ABS
611312	Jeep	30/181	Front	2003 TJ
611313	Jeep	30/181	Front	2003 TJ
611314	Jeep	30/181	Front	2003 TJ RHD
611315	Jeep	44/216	Front	2003-04 TJ w/ABS
611319	Jeep	44/216	Front	2003-04 TJ w/ABS
611321	Jeep	Super 30/186	Front	2002-03 WJ CV w/ABS
611322	Jeep	Super 30/186	Front	2001 WJ CV w/ABS
611323	Jeep	Super 30/186	Front	2002-03 WJ CV w/ABS



# BILL OF MATERIAL NUMERICAL LISTING

Bill of Material Number	Manufacturer	Model	Front/Rear	Application
611324	Jeep	Super 30/186	Front	2002-03 WJ CV w/ABS
611325	Jeep	Super 30/186	Front	2002 WJ CV w/ABS
611326	Jeep	Super 30/186	Front	2002 WJ CV w/ABS
611327	Jeep	Super 30/186	Front	2002 WJ (Dead Front)
611328	Jeep	Super 30/186	Front	2002 WJ CV w/ABS
611329	Jeep	Super 30/186	Front	2002-03 WJ CV w/ABS
611330	Jeep	Super 30/186	Front	2002-03 WJ CV w/ABS
611331	Jeep	Super 30/186	Front	2002-03 WJ CV w/ABS
611332	Jeep	Super 30/186	Front	2002 WJ CV w/ABS
611344	Jeep	Super 30/186	Front	2005 KJ
611354	Jeep	44/216	Front	2003-04 TJ w/ABS
611363	Jeep	Super 30/186	Front	2003 KJ
611365	Jeep	Super 30/186	Front	2005 KJ
611373	Jeep	Super 30/186	Front	2004 WJ CV w/ABS
611374	Jeep	Super 30/186	Front	2004 WJ CV w/ABS
611375	Jeep	Super 30/186	Front	2003 WJ CV w/ABS
611376	Jeep	Super 30/186	Front	2004 WJ CV w/ABS
611377	Jeep	Super 30/186	Front	2004 WJ CV w/ABS
611381	Jeep	30/181	Front	2004-05 TJ w/ABS
611382	Jeep	Super 30/186	Front	2004 KJ
611383	Jeep	Super 30/186	Front	2000-01 KJ
611384	Jeep	Super 30/186	Front	2003 KJ



Ring Gear & Pinion Kit	Ratio & Tooth Combination	Gear Set & Pinion Nut Number	Pinion Number	Ring Gear Number	Replaced By Part Number
<b>Model 28/174 IFS</b>					
707080-1X	3.08 (40 - 13)	660529-5	620857	620858	Discontinued
707080-2X	3.45 (38 - 11)	660593-5	621057	621058	Discontinued
707080-3X	3.73 (41 - 11)	71730-5X	40440	40442	
707080-4X	4.10 (41 - 10)	71706-5X	40395	40396	Discontinued
707221-1X <sup>(2)</sup>	3.73 (41 - 11)	73515-5X	43004	43006	Discontinued
707221-2X <sup>(2)</sup>	3.27 (36 - 11)	73887-5X	43589	43591	Discontinued
<b>Model 30/181</b>					
700128-1 <sup>(1)</sup>	3.07 (43 - 14)	23723-5X	32981	32984	Discontinued
700128-2 <sup>(1)</sup>	2.72 (49 - 18)	660465-5	620663	620664	Discontinued
700128-5 <sup>(1)</sup>	3.31 (43 - 13)	71350-5X	39828	39829	Discontinued
700128-6 <sup>(1)</sup>	3.54 (46 - 13)	23820-5X	33250	32957	Discontinued
700128-7 <sup>(1)</sup>	2.35 (47 - 20)	72038-5X	40936	40837	Discontinued
706000-1X	3.31 (43 - 13)	23770-5X	33216	33217	Discontinued
706000-2X	3.54 (46 - 13)	23820-5X	33250	32957	Discontinued
706000-10X	3.07 (43 - 14)	23723-5X	32981	32934	Discontinued
706000-14X	3.91 (43 - 11)	70618-5X	39063	39064	Discontinued
706000-20X	3.73 (41 - 11)	73039-5X	42250	42251	Discontinued
706000-21X	3.45 (38 - 11)	73335-5X	42623	42624	Discontinued
706000-3X	3.73 (41 - 11)	29244-5X	37767	37768	
706000-4X	4.10 (41 - 10)	23721-5X	32980	32906	
706000-6X	4.88 (39 - 08)	23979-5X	33439	33431	
706000-8X	4.27 (47 - 11)	24977-5X	33673	33428	
706503-1X	3.31 (43 - 13)	23770-5X	33216	33217	Discontinued
706503-2X	3.54 (46 - 13)	23820-5X	33250	32957	
706503-3X	3.73 (41 - 11)	29244-5X	37767	37768	
706503-4X	4.10 (41 - 10)	23721-5X	32980	32906	
706503-5X	4.56 (41 - 09)	23719-5X	32979	32951	Discontinued
706503-6X	4.88 (39 - 08)	23979-5X	33439	33431	
706503-8X	4.27 (47 - 11)	24977-5X	33673	33428	
706503-10X	3.07 (43 - 14)	23723-5X	32981	32934	23723-5X
706503-14X	3.50 (42 - 12)	25330-5X	34410	34411	Discontinued
706930-2X <sup>(2)</sup>	3.07 (43 - 14)	72003-5X	40789	40790	

**Note:** If required, RTV gasket material is part number 38615.

(1) Model 30 with disconnect (AMX Eagle 1980 and up).

(2) Reverse spiral bevel. Not interchangeable with other model kits.

## RING GEAR AND PINION KITS

Ring Gear & Pinion Kit	Ratio & Tooth Combination	Gear Set & Pinion Nut Number	Pinion Number	Ring Gear Number	Replaced By Part Number
<b>Model 30/181 (Continued)</b>					
706930-3X <sup>(2)</sup>	3.31 (43 - 13)	72002-5X	40785	40786	Discontinued
706930-4X <sup>(2)</sup>	4.10 (41 - 10)	71864-5X	40628	40629	
706930-5X <sup>(2)</sup>	3.73 (41 - 11)	71863-5X	40626	40627	
706930-6X <sup>(2)</sup>	4.56 (41 - 09)	71866-5X	40632	40633	
706930-7X <sup>(2)</sup>	2.72 (49 - 18)	73093-5X	42309	42310	Discontinued
706930-8X <sup>(2)</sup>	3.54 (39 - 11)	73368-5X	42699	42701	
707300-4X	3.55 (39 - 11)	74351-5X	44226	43982	
707300-5X	3.73 (41 - 11)	74350-5X	44225	37768	
707344-2X	3.07 (43 - 14)	75181-5X	46211	32934	
707344-6X	4.10 (41 - 10)	75182-5X	46214	32906	
707344-10X	3.55 (39 - 11)	75143-5X	46173	43982	
707344-11X	3.73 (41 - 11)	75144-5X	46177	37768	
708132-1	3.07 (43 - 14)	75181-5X	46211	32934	
708132-2	3.55 (39 - 11)	76385-5X	48393	48382	
708132-3	4.10 (41 - 10)	75182-5X	46214	32906	
708132-4	3.73 (41 - 11)	80176-5	49606	37768	
708132-5	4.56 (41 - 09)	85072-5	53463	53464	
708133-1 <sup>(2)</sup>	3.73 (41 - 11)	71863-5X	40626	40627	
<b>Model Super 30/186</b>					
-	3.55 (39 - 11)	76385-5X	48393	48382	
-	3.73 (41 - 11)	76386-5X	48395	48386	
-	3.91 (43 - 11)	80177-5	49612	49613	
-	3.73 (41 - 11)	84004-5	51015	48386	
-	4.10 (41 - 10)	84006-5	51019	48390	
-	3.55 (39 - 11)	84032-5	51021	51112	
-	3.73 (41 - 11)	84033-5	51055	51113	
-	3.55 (39 - 11)	85407-5	54157	51112	
707344-8X	3.55 (39 - 11)	76385-5X	48393	48382	
707344-9X	3.73 (41 - 11)	76386-5X	48395	48386	
708098-2	3.55 (39 - 11)	80299-5	49815	49816	
708098-3	3.73 (41 - 11)	80300-5	49817	49818	
<b>Model 35/194</b>					
-	3.31 (43 - 13)	72896-5X	41982	41983	Discontinued
-	4.11 (37 - 09)	72932-5X	42119	42120	Discontinued
-	3.54 (46 - 13)	72933-5X	42123	42124	Discontinued
-	3.08 (40 - 13)	72934-5X	42127	42128	Discontinued
-	2.73 (41 - 15)	72935-5X	42131	42132	
-	3.73 (41 - 11)	72938-5X	42143	42144	
-	3.55 (39 - 11)	76136-5X	46131	46132	
-	3.55 (39 - 11)	76280-6	46131	48181	
-	4.11 (37 - 09)	80613-5	42119	50481	80613-6
-	4.11 (37 - 09)	80613-6	42119	50481	
-	3.07 (43 - 14)	84118-5	42827	51300	
-	4.56 (41 - 09)	85071-5	53426	53427	
707244-1X	3.07 (43 - 14)	73442-5X	42827	42828	
707244-1X	3.07 (43 - 14)	73442-5X	43828	43829	
707244-2X	3.31 (43 - 13)	73381-5X	41982	42720	Discontinued

Continued on next page

**Note:** If required, RTV gasket material is part number 38615.

(2) Reverse spiral bevel. Not interchangeable with other model kits.

Ring Gear & Pinion Kit	Ratio & Tooth Combination	Gear Set & Pinion Nut Number	Pinion Number	Ring Gear Number	Replaced By Part Number
<b>Model 35/194 (Continued)</b>					
707244-3X	3.55 (39 - 11)	73386-5X	42469	42725	
707244-4X	4.11 (37 - 09)	73383-5X	42119	42722	
707244-5X	4.56 (41 - 09)	73382-5X	42115	42721	
707244-7X	3.55 (39 - 11)	75136-5X	46131	46132	
707244-8X	3.73 (41 - 11)	75137-5X	46135	46136	
<b>Model 35/194 IFS</b>					
-	3.55 (39 - 11)	74346-5X	44221	44222	707359-2X
-	3.21 (45 - 14)	75812-5X	47203	47204	Discontinued
-	3.92 (47 - 12)	75813-5X	47205	47206	
707170-1X <sup>(3)</sup>	3.55 (39 - 11)	73434-5X	42816	42817	Discontinued
707170-2X <sup>(3)</sup>	3.73 (41 - 11)	73403-5X	42755	42756	Discontinued
707170-3X <sup>(3)</sup>	4.10 (41 - 10)	73404-5X	42759	42760	73404-5X
707170-4X <sup>(3)</sup>	3.27 (49 - 15)	73606-5X	43169	43168	Discontinued
707359-1X	3.27 (49 - 15)	73909-5X	43615	43616	
707359-2X	3.55 (39 - 11)	73386-5X	42469	42725	
707359-3X	3.73 (41 - 11)	73385-5X	42143	42724	
707359-4X	4.10 (41 - 10)	75599-5X	46926	46927	
707359-5X	4.56 (41 - 09)	73382-5X	42115	42721	
<b>Model Super 35/198</b>					
-	3.55 (39 - 11)	76280-5X	46131	48181	76280-6
-	3.73 (41 - 11)	76281-5X	46135	48182	76281-6
-	3.55 (39 - 11)	84032-5	51021	51112	
-	3.55 (39 - 11)	84214-5	51406	51407	
-	3.73 (41 - 11)	84215-5	51408	51409	
-	3.73 (41 - 11)	76281-6	48135	48182	
-	3.73 (41 - 11)	76281-7	46135	46182	
<b>Model 36/200 ICA</b>					
-	3.31 (43 - 13)	72504-5X	41372	41466	Discontinued
-	3.07 (43 - 14)	72505-5X	41467	41474	Discontinued
-	2.73 (41 - 15)	72587-5X	41475	41476	Discontinued
-	2.59 (44 - 17)	72668-5X	41898	41902	
706870-5X	3.07 (43 - 14)	72505-5X	41467	41474	Discontinued
706870-6X	3.31 (43 - 13)	72504-5X	41372	41466	Discontinued
<b>Model 44/216</b>					
-	3.92 (47 - 12)	22104-5X	31488	18445	
-	3.07 (43 - 14)	22106-5X	31492	30060	
-	3.73 (41 - 11)	22736-5X	32072	18515	
-	3.54 (46 - 13)	22856-5X	32171	18437	
-	4.10 (41 - 10)	74720-5X	45564	45565	
-	3.55 (39 - 11)	75861-5X	47238	46638	
-	4.10 (41 - 10)	85106-5	45564	43531	
-	3.07 (43 - 14)	85609-5	31492	54702	
-	3.07 (43 - 14)	85609-6	31492	54702	85609-5
-	3.73 (41 - 11)	85610-5	32072	54703	
700025-3	3.42 (41 - 12)	660150-5	620223	620224	Discontinued
700025-7	2.94 (47 - 16)	660405	620575	620576	Discontinued

**Note:** If required, RTV gasket material is part number 38615.

(3) Reverse spiral bevel for Ford Model 35 IFS. Not interchangeable with other Model 35 kits.

## RING GEAR AND PINION KITS

Ring Gear & Pinion Kit	Ratio & Tooth Combination	Gear Set & Pinion Nut Number	Pinion Number	Ring Gear Number	Replaced By Part Number
<b>Model 44/216 (Continued)</b>					
706017-1X	3.07 (43 - 14)	22106-5X	31492	30060	
706017-2X	3.31 (43 - 13)	23592-5X	32830	18426	
706017-3X	3.54 (46 - 13)	22856-5X	32171	18437	
706017-4X	3.73 (41 - 11)	22736-5X	32072	18515	
706017-5X	4.09 (45 - 11)	22745-5X	32073	18520	
706017-6X	4.55 (50 - 11)	22105-5X	31491	18679	706017-21X
706017-7X	4.89 (44 - 09)	23053-5X	32367	18525	Discontinued
706017-8X	5.38 (43 - 08)	22404-5X	31766	18530	
706017-9X	5.89 (53 - 09)	23713-5X	32973	30706	
706017-10X	4.27 (47 - 11)	23064-5X	32359	18450	
706017-11X	3.92 (47 - 12)	22104-5X	31488	18445	
706017-12X	4.78 (43 - 09)	25184-5X	34483	30841	Discontinued
706017-16X	3.23 (42 - 13)	28744-5X	37244	37245	Discontinued
706017-18X	2.87 (43 - 15)	71771-5X	37791	37792	Discontinued
706017-19X	2.72 (49 - 18)	70169-5X	38633	38634	Discontinued
706017-21X	4.55 (50 - 11)	22105-5X	31491	18679	
707020-2X	3.23 (42 - 13)	28744-5X	37244	37245	Discontinued
707020-3X	3.54 (46 - 13)	22856-5X	32171	18437	
707020-4X	4.09 (45 - 11)	22745-5X	32073	18520	
707020-5X	3.92 (47 - 12)	22104-5X	31488	18445	
707240-2X <sup>(4)</sup>	3.00 (45 - 15)	660002	620001	620002	Discontinued
707240-3X <sup>(4)</sup>	3.07 (43 - 14)	71762-5X	40482	40483	Discontinued
707240-4X <sup>(4)</sup>	3.31 (43 - 13)	74251-5X	44085	44086	Discontinued
707240-5X <sup>(4)</sup>	3.50 (42 - 12)	28769-5X	37258	37259	Discontinued
707240-6X <sup>(4)</sup>	3.54 (46 - 13)	24638-5X	33843	33844	Discontinued
707240-9X <sup>(4)</sup>	4.09 (45 - 11)	24649-5X	33849	33850	
707338-1X	3.54 (46 - 13)	22856-5X	32171	18437	
707338-2X	3.92 (47 - 12)	22104-5X	31488	18445	
707338-3X	4.09 (45 - 11)	22745-5X	32073	18520	
707338-5X	4.10 (41 - 10)	74720-5X	45564	45565	
707381-3X	3.55 (39 - 11)	74855-5X	46637	46638	
707381-4X	3.73 (41 - 11)	75222-5X	46636	44765	
<b>Model 44/216 F-CAR</b>					
- <sup>(5)</sup>	3.54 (46 - 13)	72950-5X	42161	42162	Discontinued
706990-1X <sup>(5)</sup>	3.31 (43 - 13)	72386-5X	41182	18426	Discontinued
706990-2X <sup>(5)</sup>	4.09 (45 - 11)	72387-5X	41183	18520	Discontinued
706990-3X <sup>(5)</sup>	3.92 (47 - 12)	72459-5X	41336	18445	Discontinued
<b>Model 44/216 ICA</b>					
-	3.07 (43 - 14)	72719-5X	41724	41725	Discontinued
-	3.54 (46 - 13)	73134-5X	42385	42162	Discontinued
-	3.45 (38 - 11)	73917-5X	43625	43626	75518-5X
-	3.33 (40 - 12)	73919-5X	43627	43628	Discontinued
-	3.07 (43 - 14)	74436-5X	44438	44805	Discontinued
-	3.07 (43 - 14)	75402-5X	46541	46542	
-	3.45 (38 - 11)	75518-5X	46744	46745	
-	3.07 (43 - 14)	80739-5	46541	50733	

Continued on next page

**Note:** If required, RTV gasket material is part number 38615.

(4) Reverse spiral bevel for Ford front only. Not interchangeable. Pinion is above centerline on these types.

(5) High performance ring &amp; pinion kits.



Ring Gear & Pinion Kit	Ratio & Tooth Combination	Gear Set & Pinion Nut Number	Pinion Number	Ring Gear Number	Replaced By Part Number
<b>Model 44/216 ICA (Continued)</b>					
706755-1X	3.31 (43 - 13)	23592-5X	32830	18426	Discontinued
706755-2X	3.54 (46 - 13)	22856-5X	32171	18437	Discontinued
706755-3X	3.73 (41 - 11)	22736-5X	32072	18515	Discontinued
706755-4X	3.07 (43 - 14)	22106-5X	31492	30060	Discontinued
706755-6X	3.23 (42 - 13)	28744-5X	37244	37245	Discontinued
706755-8X	2.72 (49 - 18)	71528-5X	40216	38634	Discontinued
706755-9X	2.87 (43 - 15)	71771-5X	40484	37792	Discontinued
706800-2X	3.07 (43 - 14)	22106-5X	31492	30060	22106-5X
<b>Model 44/216 IFS</b>					
707283-3X <sup>(4)</sup>	3.07 (43 - 14)	71762-5X	40482	40483	Discontinued
707283-4X <sup>(4)</sup>	3.31 (43 - 13)	74251-5X	44085	44086	Discontinued
707283-6X <sup>(4)</sup>	3.54 (46 - 13)	24638-5X	33843	33844	Discontinued
707283-9X <sup>(4)</sup>	4.09 (45 - 11)	24649-5X	33849	33850	
<b>Model Super 44/226</b>					
-	3.73 (41 - 11)	76542-5X	48665	48144	
-	3.91 (43 - 11)	80186-5	49625	49626	
-	3.73 (41 - 11)	84212-5	51402	51403	
-	3.91 (43 - 11)	84213-5	51404	51405	
-	3.55 (39 - 11)	84073-5	52899	51208	
<b>Model 50/229</b>					
-(6)	4.10 (41 - 10)	660319-5	620480	620481	
-(6)	3.73 (41 - 11)	76127-5X	47903	47902	
-(6)	4.30 (43 - 10)	76136-5X	47907	47906	
707474-1X <sup>(4)</sup>	3.73 (41 - 11)	76127-5X	47903	47902	76127-5X
707474-2X <sup>(4)</sup>	4.10 (41 - 10)	660319-5	620480	620481	660319-5
707474-3X <sup>(4)</sup>	4.30 (43 - 10)	76136-5X	47907	47906	76136-5X
708122-1 <sup>(4)</sup>	3.73 (41 - 11)	76127-5X	47903	47902	76127-5X
708122-2 <sup>(4)</sup>	4.10 (41 - 10)	660319-5	620480	620481	
708122-3 <sup>(4)</sup>	4.30 (43 - 10)	76136-5X	47907	47906	76136-5X
<b>Model 50/229 IFS</b>					
707239-1X <sup>(6)</sup>	3.54 (46 - 13)	660231-5	620510	620511	Discontinued
707239-2X <sup>(6)</sup>	4.10 (41 - 10)	660319-5	620480	620481	
<b>Model 60/248</b>					
700020-1 <sup>(4)</sup>	3.54 (46 - 13)	660069-5	620094	620095	
700020-2 <sup>(4)</sup>	4.10 (41 - 10)	660071	620107	620108	
706033-1X	3.54 (46 - 13)	24813-5X	34023	32503	
706033-2X	3.73 (41 - 11)	25538-5X	34507	34508	
706033-3X	4.10 (41 - 10)	24807-5X	34017	30360	
706033-4X	4.56 (41 - 09)	25127-5X	34172	30316	
706033-5X	4.88 (39 - 08)	25334-5X	34383	30268	
706033-6X	5.86 (41 - 07)	25784-5X	34718	34717	
706033-7X	6.17 (37 - 06)	26628-5X	35658	32626	
706033-8X	7.17 (43 - 06)	26756-5X	35425	33953	
706033-9X	5.13 (41 - 08)	26994-5X	35681	35682	Discontinued
706033-10X	5.38 (43 - 08)	27518-5X	36210	36211	Discontinued

**Note:** If required, RTV gasket material is part number 38615.

(4) Reverse spiral bevel for Ford front only. Not interchangeable. Pinion is above centerline on these types.

(6) Reverse spiral bevel

## RING GEAR AND PINION KITS

Ring Gear & Pinion Kit	Ratio & Tooth Combination	Gear Set & Pinion Nut Number	Pinion Number	Ring Gear Number	Replaced By Part Number
<b>Model 60/248 (Continued)</b>					
706033-13X	4.09 (45 - 11)	74423-5X	44331	44332	708021-1
706033-15X	3.55 (39 - 11)	74948-5X	45736	46216	
706033-16X	4.10 (41 - 10)	75311-5X	46416	46257	
706660-1X	3.54 (46 - 13)	24813-5X	34023	32503	706033-1X
706660-2X	3.73 (41 - 11)	25538-5X	34507	34508	706033-2X
706660-9X	3.33 (50 - 15)	70853-5X	39234	39235	Discontinued
706807-1X <sup>(7)</sup>	3.33 (50 - 15)	70853-5X	39234	39235	Discontinued
706807-2X <sup>(7)</sup>	3.54 (46 - 13)	24813-5X	34023	32503	
706807-3X <sup>(7)</sup>	3.73 (41 - 11)	25538-5X	34507	34508	
706807-4X <sup>(7)</sup>	4.10 (41 - 10)	24807-5X	34017	30360	
706834-1X <sup>(7)</sup>	3.33 (50 - 15)	70853-5X	39234	39235	Discontinued
706834-2X <sup>(7)</sup>	3.54 (46 - 13)	24813-5X	34023	32503	
706834-3X <sup>(7)</sup>	3.73 (41 - 11)	25538-5X	34507	34508	
706834-4X <sup>(7)</sup>	4.10 (41 - 10)	24807-5X	34017	30360	
707345-1X	3.55 (39 - 11)	75185-5X	46215	46216	708009-1
707345-2X	4.09 (45 - 11)	75180-5X	46209	46210	708009-2
707424-2X	3.73 (41 - 11)	76086-5X	47683	47682	
707424-3X	4.09 (45 - 11)	76087-5X	47685	47684	
707424-5	4.10 (41 - 10)	76047-5X	47608	47609	76047-5X
707430-1X	3.55 (39 - 11)	76088-5X	47687	47686	
707430-2X	3.73 (41 - 11)	76089-5X	47689	47688	
707430-3X	4.10 (41 - 10)	76047-5X	47608	47609	
707475-1X <sup>(6)</sup>	3.73 (41 - 11)	76161-5X	47919	47918	
707475-2X <sup>(6)</sup>	4.10 (41 - 10)	76159-5X	47912	620108	
707475-3X <sup>(6)</sup>	4.30 (43 - 10)	76160-5X	47915	47914	
707475-4X <sup>(6)</sup>	4.88 (39 - 08)	76163-5X	47922	47921	
707475-5X <sup>(6)</sup>	5.38 (43 - 08)	76164-5X	47926	47925	
708009-1	3.55 (39 - 11)	75185-5X	46215	46216	
708009-2	4.10 (41 - 10)	75248-5X	46256	46257	
708009-3	3.55 (39 - 11)	75185-5X	46215	46216	
708009-4	4.10 (41 - 10)	75248-5X	46256	46257	
708021-1	4.09 (45 - 11)	74423-5X	44331	44332	
708123-1 <sup>(6)</sup>	3.73 (41 - 11)	76161-5X	47919	47918	
708123-2 <sup>(6)</sup>	4.10 (41 - 10)	76159-5X	47912	620108	708233-2
708123-3 <sup>(6)</sup>	4.30 (43 - 10)	76160-5X	47915	47914	
708123-4 <sup>(6)</sup>	4.88 (39 - 08)	76163-5X	47922	47921	
708123-5 <sup>(6)</sup>	5.38 (43 - 08)	76164-5X	47926	47925	
708124-1	3.55 (39 - 11)	76088-5X	47687	47686	708125-6
708124-2	3.73 (41 - 11)	76089-5X	47689	47688	708125-4
708124-3	4.10 (41 - 10)	76047-5X	47608	47609	708125-5
708125-1	3.73 (41 - 11)	76086-5X	47683	47682	708125-4
708125-4	3.73 (41 - 11)	76089-5X	47689	47688	
708125-5	4.10 (41 - 10)	76047-5X	47608	47609	
708125-6	3.55 (39 - 11)	76088-5X	47687	47686	
708148-1	3.55 (39 - 11)	75185-5X	46215	46216	
708148-2	4.10 (41 - 10)	75248-5X	46256	46257	

**Note:** If required, RTV gasket material is part number 38615.

(6) Reverse Spiral Bevel

(7) 706807X and 706808X kits contain differential cross shaft lock screw partial cross shaft lock screw part number 39233 which has an allen type socket head. 706834X & 706835X kits contain differential cross shaft lock screw part number 4013101 which has a 12 point head. Whenever one of these lock screws is removed, it is to be discarded and replaced with a new one. The two types of lock screws are not interchangeable.

Ring Gear & Pinion Kit	Ratio & Tooth Combination	Gear Set & Pinion Nut Number	Pinion Number	Ring Gear Number	Replaced By Part Number
<b>Model 61/248</b>					
706396-1X	3.31 (43 - 13)	28305-5X	36786	36787	Discontinued
706396-4X	3.73 (41 - 11)	29420-5X	34507	37875	Discontinued
706396-5X	3.07 (43 - 14)	29716-5X	36773	38133	Discontinued
706661-1X	3.31 (43 - 13)	28305-5X	36786	36787	Discontinued
706661-11X <sup>(8)</sup>	3.07 (43 - 14)	72264-5X	41078	38133	Discontinued
706661-6X	3.54 (46 - 13)	70837-5X	34023	39211	Discontinued
706661-8X <sup>(9)</sup>	4.56 (41 - 09)	70907-5X	34172	39299	Discontinued
706661-9X	4.10 (41 - 10)	70908-5X	34017	39300	
706835-3X <sup>(7)</sup>	3.07 (43 - 14)	70870-5X	39264	39265	Discontinued
<b>Model 70/267</b>					
706048-1X <sup>(10)</sup>	3.73 (41 - 11)	26008-1X	34836	34837	706999-2X
706048-2X <sup>(10)</sup>	4.10 (41 - 10)	26010-1X	34550	34840	706999-4X
706048-3X <sup>(10)</sup>	4.56 (41 - 09)	26013-1X	34549	34842	706999-6X
706048-4X <sup>(10)</sup>	4.88 (39 - 08)	25965-1X	34546	34808	706999-8X
706048-5X <sup>(10)</sup>	5.13 (41 - 08)	25966-1X	34547	34810	706999-9X
706048-6X <sup>(10)</sup>	5.86 (41 - 07)	25967-1X	34715	34812	706999-10X
706048-7X <sup>(10)</sup>	6.17 (37 - 06)	25968-1X	34814	34815	706999-12X
706048-8X <sup>(10)</sup>	7.17 (43 - 06)	26636-1X	35116	35307	706999-14X
706048-9X <sup>(10)</sup>	6.17 (37 - 06)	22752-1X	32082	31962	Discontinued
706048-10X <sup>(10)(14)</sup>	3.73 (41 - 11)	29715-1X	34836	38132	Discontinued
706048-11X <sup>(10)(14)</sup>	4.10 (41 - 10)	70875-1X	39276	39277	706999-4X
706048-12X <sup>(10)(14)</sup>	4.56 (41 - 09)	70874-1X	39274	39275	707250-7X
706061-1X <sup>(17)</sup>	3.73 (41 - 11)	26008-1X	34836	34837	706999-2X
706061-2X <sup>(17)</sup>	4.10 (41 - 10)	26010-1X	34550	34840	706999-4X
706061-3X <sup>(17)</sup>	4.56 (41 - 09)	26013-1X	34549	34842	706999-6X
706061-4X <sup>(17)</sup>	4.88 (39 - 08)	25965-1X	34546	34808	706999-8X
706061-5X <sup>(17)</sup>	5.13 (41 - 08)	25966-1X	34547	34810	706999-9X
706061-6X <sup>(17)</sup>	5.86 (41 - 07)	25967-1X	34715	34812	706999-10X
706061-7X <sup>(17)</sup>	6.17 (37 - 06)	25968-1X	34814	34815	706999-12X
706061-8X <sup>(17)</sup>	7.17 (43 - 06)	26636-1X	35116	35307	706999-14X
706061-9X <sup>(13)(17)</sup>	5.86 (41 - 07)	27305-1X	35977	35978	706999-11X
706061-10X <sup>(13)(17)</sup>	7.17 (43 - 06)	70741-1X	39158	39159	706999-15X
706091-1X <sup>(11)</sup>	4.10 (41 - 10)	25612-1X	34550	31711	706997-1X
706091-2X <sup>(11)</sup>	4.56 (41 - 09)	25611-1X	34549	34110	706997-2X
706091-3X <sup>(11)</sup>	4.88 (39 - 08)	25608-1X	34546	30794	706997-3X
706091-4X <sup>(11)</sup>	5.13 (41 - 08)	25609-1X	34547	31169	706997-4X
706091-5X <sup>(11)</sup>	5.86 (41 - 07)	25782-1X	34715	34714	706997-5X
706091-6X <sup>(11)</sup>	6.17 (37 - 06)	26031-1X	34814	31962	706997-6X

**Note:** If required, RTV gasket material is part number 38615.

- (7) 706807X and 706808X kits contain differential cross shaft lockscrew patial cross shaft lockscrew part number 39233 which has an allen type socket head. 706834X & 706835X kits contain differential cross shaft lockscrew part number 4013101 which has a 12 point head. Whenever one of these lockscrews is removed, it is to be discarded and replaced with a new one. The two types of lockscrews are not interchangeable.
- (8) For diesel applications.
- (9) Includes silicone gasket material and standard gasket.
- (10) Used on Model 70B & 70HD with .625" offset of pinion (without Differential Bearing Spacer). If spacers are required, use part number 34848-28 (width=.120") or 34848-10 (width=.150). I.D.=3.500", O.D.=4.125". Or use 42563 (width=.120", O.D.=3.804", I.D.=3.065").
- (11) With .500" offset of pinion.
- (13) Special for industrial off highway axles only. Use of these gears can be extremely noisy in other applications.
- (14) Double lapped for quieter operation.
- (17) Used in Model 70HD (with 34848 Differential Bearing Spacer, included in 706061X kit).

## RING GEAR AND PINION KITS

Ring Gear & Pinion Kit	Ratio & Tooth Combination	Gear Set & Pinion Nut Number	Pinion Number	Ring Gear Number	Replaced By Part Number
<b>Model 70/267 (Continued)</b>					
706091-7X <sup>(11)</sup>	7.17 (43 - 06)	26355-1X	35116	32742	706997-1X
706091-9X <sup>(11)</sup>	6.17 (37 - 06)	22752-1X	32082	31962	Discontinued
706600-9X <sup>(9)(10)(13)</sup>	5.86 (41 - 07)	27305-1X	35977	35978	706999-11X
706600-10X <sup>(9)(10)(13)</sup>	7.17 (43 - 06)	70741-1X	39158	39159	706999-15X
706600-12X <sup>(9)(10)(13)</sup>	6.17 (37 - 06)	70610-1X	39069	39070	706999-13X
706600-13X <sup>(9)(10)(13)</sup>	3.54 (46 - 13)	70891-1X	39286	39287	706999-1X
706905-5X <sup>(10)</sup>	5.86 (41 - 07)	25967-1X	34715	34812	706999-10X
706997-1X <sup>(11)</sup>	4.10 (41 - 10)	72153-5X	40959	31711	
706997-2X <sup>(11)</sup>	4.56 (41 - 09)	72151-5X	40958	34110	
706997-3X <sup>(11)</sup>	4.88 (39 - 08)	72147-5X	40956	30794	Discontinued
706997-4X <sup>(11)</sup>	5.13 (41 - 08)	72149-5X	40957	31169	Discontinued
706997-5X <sup>(11)</sup>	5.86 (41 - 07)	72155-5X	40960	34714	Discontinued
706997-6X <sup>(11)</sup>	6.17 (37 - 06)	72158-5X	40961	31962	
706997-7X <sup>(11)</sup>	7.17 (43 - 06)	72161-5X	40963	32742	Discontinued
706998-1X <sup>(5)(12)</sup>	3.54 (46 - 13)	72168-5X	40969	39287	
706998-2X <sup>(12)</sup>	3.73 (41 - 11)	72159-5X	40962	34837	
706998-3X <sup>(12)</sup>	4.10 (41 - 10)	72154-5X	40959	34840	
706998-4X <sup>(12)</sup>	4.56 (41 - 09)	72152-5X	40958	34842	
706998-5X <sup>(12)</sup>	4.88 (39 - 08)	72148-5X	40956	34808	
706998-6X <sup>(12)</sup>	5.13 (41 - 08)	72150-5X	40957	34810	72150-5X
706998-9X <sup>(12)</sup>	7.17 (43 - 06)	72162-5X	40963	35307	
706998-10X <sup>(12)(13)</sup>	7.17 (43 - 06)	72165-5X	40966	39159	Discontinued
706998-13X	3.07 (43 - 14)	73105-5X	42190	42336	Discontinued
706998-14X <sup>(5)(12)</sup>	7.17 (43 - 06)	74253-5X	40963	44065	Discontinued
706999-1X <sup>(10)</sup>	3.54 (46 - 13)	72168-5X	40969	39287	
706999-2X <sup>(10)</sup>	3.73 (41 - 11)	72159-5X	40962	34837	
706999-3X <sup>(10)(14)</sup>	3.73 (41 - 11)	72160-5X	40962	38132	Discontinued
706999-4X <sup>(10)</sup>	4.10 (41 - 10)	72154-5X	40959	34840	
706999-6X <sup>(10)(13)</sup>	4.56 (41 - 09)	72152-5X	40958	34842	
706999-7X <sup>(10)</sup>	4.56 (41 - 09)	72166-5X	40967	39275	Discontinued
706999-8X <sup>(10)</sup>	4.88 (39 - 08)	72148-5X	40956	34808	
706999-9X <sup>(10)</sup>	5.13 (41 - 08)	72150-5X	40957	34810	
706999-10X <sup>(10)</sup>	5.86 (41 - 07)	72156-5X	40960	34812	
706999-11X <sup>(10)(13)</sup>	5.86 (41 - 07)	72163-5X	40964	35978	
706999-12X <sup>(10)</sup>	6.17 (37 - 06)	72157-5X	40961	34815	
706999-13X <sup>(10)(13)</sup>	6.17 (37 - 06)	72164-5X	40965	39070	
706999-14X <sup>(10)</sup>	7.17 (43 - 06)	72162-5X	40963	35307	
706999-15X <sup>(10)(13)</sup>	7.17 (43 - 06)	72165-5X	40966	39159	
707055-2X <sup>(15)</sup>	3.42 (41 - 12)	73029-5X	42237	42238	Discontinued
707055-3X <sup>(15)</sup>	4.56 (41 - 09)	73032-5X	40958	42245	Discontinued

Continued on next page

**Note:** If required, RTV gasket material is part number 38615.

(5) High performance ring & pinion kits.

(9) Includes silicone gasket material and standard gasket.

(10) Used on Model 70B & 70HD with .625" offset of pinion (without Differential Bearing Spacer). If spacers are required, use part number 34848-28 (width=.120") or 34848-10 (width=.150). I.D.=3.500", O.D.=4.125". Or use 42563 (width=.120", O.D.=3.804", I.D.=3.065").

(11) With .500" offset of pinion.

(12) Used in model 70U with .625" offset of pinion.

(13) Special for industrial off highway axles only. Use of these gears can be extremely noisy in other applications.

(14) Double lapped for quieter operation.

(15) Used in Model 70-3HD for GM. Not interchangeable with any other kits.

Ring Gear & Pinion Kit	Ratio & Tooth Combination	Gear Set & Pinion Nut Number	Pinion Number	Ring Gear Number	Replaced By
<b>Model 70/267 (Continued)</b>					
707250-1X	3.07 (43 - 14)	74305-5X	44194	42336	Discontinued
707250-3X	4.10 (41 - 10)	74307-5X	44196	34840	708015-2
707250-4X <sup>(16)</sup>	4.56 (41 - 09)	74308-5X	44197	34842	Discontinued
707407-1X <sup>(16)</sup>	4.10 (41 - 10)	75999-5X	47532	47533	708236-3
707482-1X <sup>(10)</sup>	4.10 (41 - 10)	75999-5X	47532	47533	
707482-2X <sup>(10)</sup>	4.56 (41 - 09)	76509-5X	48626	48625	
708015-1 <sup>(16)</sup>	3.54 (46 - 13)	76568-5X	48737	78738	
708015-2 <sup>(16)</sup>	4.10 (41 - 10)	75999-5X	47532	47533	
708015-3 <sup>(16)</sup>	7.17 (43 - 06)	74342-5X	44199	44065	
708015-4	3.54 (46 - 13)	76568-5X	48737	48738	
708015-5	4.10 (41 - 10)	75999-5X	47532	47533	
708015-6	7.17 (43 - 06)	74342-5X	44199	44065	74342-5X
708074-1	4.10 (41 - 10)	84055-5	51171	51172	
708074-2	4.56 (41 - 09)	84017-5X	50076	50077	
708074-3	4.10 (41 - 10)	84055-5	51171	51172	84055-5
708074-4	4.56 (41 - 09)	84057-5	51176	51177	84057-5
708126-1	4.10 (41 - 10)	75999-5X	47532	47533	
708126-3	4.10 (41 - 10)	84846-5	52974	52975	
708127-1	4.10 (41 - 10)	84055-5	51171	51172	
708127-2	4.56 (41 - 09)	84057-5	51176	51177	
708149-1	3.54 (46 - 13)	76568-5X	48737	48738	
708149-2	4.10 (41 - 10)	75999-5X	47532	47533	
<b>Model Super 70/273</b>					
-	4.10 (41 - 09)	84055-5	51171	51172	
-	4.56 (41 - 09)	84057-5	51176	51177	
<b>Model 80/286</b>					
707060-1X	4.63 (37 - 08)	80730-5	42419	42420	
707060-1X	4.63 (37 - 08)	73167-5X	42419	42420	
707060-3X	3.73 (41 - 11)	73958-5X	43660	43661	
707060-4X	5.13 (41 - 08)	73168-5X	42423	42424	707060-13X
707060-7X	3.31 (43 - 13)	74375-5X	44272	44273	
707060-12X	4.63 (37 - 08)	73167-5X	42419	42420	707060-1X
707060-13X	5.13 (41 - 08)	73168-5X	42423	42424	
707361-1X	4.63 (37 - 08)	74680-5X	44840	44841	707361-3X
707361-3X	4.63 (37 - 08)	75619-5X	44840	46976	
707361-4X	5.13 (41 - 08)	75621-5X	44842	46978	
707361-5X	4.63 (37 - 08)	73167-5X	42419	42420	707060-13X
707361-6X	5.13 (41 - 08)	73168-5X	42423	42424	
707361-10X	4.10 (41 - 10)	73200-5X	42464	42465	707361-12X
707361-11X	4.10 (41 - 10)	80087-5	49419	42465	
707361-12X	4.10 (41 - 10)	80583-5	48102	48103	
707361-13X	4.63 (37 - 08)	80730-5	42419	42420	
707476-1X	3.73 (41 - 11)	76256-5X	48100	48101	708120-5
707476-2X	4.10 (41 - 10)	76257-5X	48102	48103	708120-6
707476-3X	4.30 (43 - 10)	76128-5X	47839	47841	708120-7

**Note:** If required, RTV gasket material is part number 38615.

(10) Used on Model 70B & 70HD with .625" offset of pinion (without Differential Bearing Spacer). If spacers are required, use part number 34848-28 (with=.120") or 34848-10 (width=.150). I.D.=3.500", O.D.=4.125". Or use 42563 (width=.120", O.D.=3.804", I.D.=3.065").

(16) Used in Model 70-2U with .625" offset of pinion.



## RING GEAR AND PINION KITS

Ring Gear & Pinion Kit	Ratio & Tooth Combination	Gear Set & Pinion Nut Number	Pinion Number	Ring Gear Number	Replaced By Part Number
<b>Model 80/286 (Continued)</b>					
707476-4X	4.88 (39 - 08)	76138-5X	47845	47846	708120-10
707476-5X	5.38 (43 - 08)	76258-5X	48104	48105	708120-11
707476-6	3.73 (41 - 11)	80582-5	48100	48101	708120-5
707476-7	4.10 (41 - 10)	80583-5	48102	48103	708120-6
707476-8	4.30 (43 - 10)	80584-5	47839	47841	708120-7
707476-9	3.73 (41 - 11)	80649-5	50546	50547	708120-5
707476-10	4.10 (41 - 10)	80650-5	50550	50551	708120-6
707476-11	4.30 (43 - 10)	80651-5	50554	50555	708120-7
707476-12	4.88 (39 - 08)	84002-5	51007	51009	708120-10
707476-13	5.38 (43 - 08)	84003-5	51011	51013	708120-11
708026-1	3.54 (46 - 13)	73353-5X	42682	42680	
708026-2	4.10 (41 - 10)	73200-5X	42464	42465	
708026-3	3.54 (46 - 13)	73353-5x	42682	42680	
708026-4	4.10 (41 - 10)	73200-5X	42464	42465	
708120-5	3.73 (41 - 11)	80649-5	50546	50547	
708120-6	4.10 (41 - 10)	80650-5	50550	50551	
708120-7	4.30 (43 - 10)	80651-5	50554	50555	
708120-10	4.88 (39 - 08)	84002-5	51007	51009	
708120-11	5.38 (43 - 08)	84003-5	51011	51013	
708150-1	3.54 (46 - 13)	73353-5X	42682	42680	
708150-2	4.10 (41 - 10)	73200-5X	42464	42465	

**Note:** If required, RTV gasket material is part number 38615.

# RING GEAR AND PINION SETS

## Listed By Ring Gear Number

Ring Gear Number	Pinion Number	Gear Set & Pinion Nut Number	Ratio & Tooth Combination	Model	Ring Gear & Pinion Kit
18426	32830	23592-5X	3:31 (43-13)	44/216 ICA	706755-1X
18426	32830	23592-5X	3:31 (43-13)	44/216	706017-2X
18426	41182	72386-5X	3:31 (43-13)	44/216 F-CAR	706990-1X
18437	32171	22856-5X	3:54 (46-13)	44/216 ICA	706755-2X
18437	32171	22856-5X	3:54 (46-13)	44/216	-
18437	32171	22856-5X	3:54 (46-13)	44/216	706017-3X
18437	32171	22856-5X	3:54 (46-13)	44/216	707020-3X
18437	32171	22856-5X	3:54 (46-13)	44/216	707338-1X
18445	31488	22104-5X	3:92 (47-12)	44/216	-
18445	31488	22104-5X	3:92 (47-12)	44/216	706017-11X
18445	31488	22104-5X	3:92 (47-12)	44/216	707020-5X
18445	31488	22104-5X	3:92 (47-12)	44/216	707338-2X
18445	41336	72459-5X	3:92 (47-12)	44/216 F-CAR	706990-3X
18450	32359	23064-5X	4:27 (47-11)	44/216	706017-10X
18515	32072	22736-5X	3:73 (41-11)	44/216 ICA	706755-3X
18515	32072	22736-5X	3:73 (41-11)	44/216	-
18515	32072	22736-5X	3:73 (41-11)	44/216	706017-4X
18520	32073	22745-5X	4:09 (45-11)	44/216	706017-5X
18520	32073	22745-5X	4:09 (45-11)	44/216	707020-4X
18520	32073	22745-5X	4:09 (45-11)	44/216	707338-3X
18520	41183	72387-5X	4:09 (45-11)	44/216 F-CAR	706990-2X
18525	32367	23053-5X	4:89 (44-09)	44/216	706017-7X
18530	31766	22404-5X	5:38 (43-08)	44/216	706017-8X
18679	31491	22105-5X	4:55 (50-11)	44/216	706017-21X
18679	31491	22105-5X	4:55 (50-11)	44/216	706017-6X
30060	31492	22106-5X	3:07 (43-14)	44/216 ICA	706755-4X
30060	31492	22106-5X	3:07 (43-14)	44/216 ICA	706800-2X
30060	31492	22106-5X	3:07 (43-14)	44/216	-
30060	31492	22106-5X	3:07 (43-14)	44/216	706017-1X
30268	34383	25334-5X	4:88 (39-08)	60/248	706033-5X
30316	34172	25127-5X	4:56 (41-09)	60/248	706033-4X
30360	34017	24807-5X	4:10 (41-10)	60/248	706033-3X
30360	34017	24807-5X	4:10 (41-10)	60/248	706807-4X
30360	34017	24807-5X	4:10 (41-10)	60/248	706834-4X
30706	32973	23713-5X	5:89 (53-09)	44/216	706017-9X
30794	40956	72147-5X	4:88 (39-08)	70/267	706997-3X
30841	34483	25184-5X	4:78 (43-09)	44/216	706017-12X
31169	40957	72149-5X	5:13 (41-08)	70/267	706997-4X
31711	40959	72153-5X	4:10 (41-10)	70/267	706997-1X
31962	32082	22752-1X	6:17 (37-06)	70/267	706048-9X
31962	40961	72158-5X	6:17 (37-06)	70/267	706997-6X
32503	34023	24813-5X	3:54 (46-13)	60/248	706033-1X
32503	34023	24813-5X	3:54 (46-13)	60/248	706660-1X
32503	34023	24813-5X	3:54 (46-13)	60/248	706807-2X
32503	34023	24813-5X	3:54 (46-13)	60/248	706834-2X
32626	35658	26628-5X	6:17 (37-06)	60/248	706033-7X
32742	40963	72161-5X	7:17 (43-06)	70/267	706997-7X
32906	32980	23721-5X	4:10 (41-10)	30/181	706000-4X

## RING GEAR AND PINION SETS

Listed By Ring Gear Number

Ring Gear Number	Pinion Number	Gear Set & Pinion Nut Number	Ratio & Tooth Combination	Model	Ring Gear & Pinion Kit
32906	32980	23721-5X	4:10 (41-10)	30/181	706503-4X
32906	46214	75182-5X	4:10 (41-10)	30/181	707344-6X
32906	46214	75182-5X	4:10 (41-10)	30/181	708132-3
32934	32981	23723-5X	3:07 (43-14)	30/181	706000-10X
32934	32981	23723-5X	3:07 (43-14)	30/181	706503-10X
32934	46211	75181-5X	3:07 (43-14)	30/181	707344-2X
32934	46211	75181-5X	3:07 (43-14)	30/181	708132-1
32951	32979	23719-5X	4:56 (41-09)	30/181	706503-5X
32957	33250	23820-5X	3:54 (46-13)	30/181	700128-6
32957	33250	23820-5X	3:54 (46-13)	30/181	706000-2X
32957	33250	23820-5X	3:54 (46-13)	30/181	706503-2X
32984	32981	23723-5X	3:07 (43-14)	30/181	700128-1
33217	33216	23770-5X	3:31 (43-13)	30/181	706000-1X
33217	33216	23770-5X	3:31 (43-13)	30/181	706503-1X
33428	33673	24977-5X	4:27 (47-11)	30/181	706000-8X
33428	33673	24977-5X	4:27 (47-11)	30/181	706503-8X
33431	33439	23979-5X	4:88 (39-08)	30/181	706000-6X
33431	33439	23979-5X	4:88 (39-08)	30/181	706503-6X
33844	33843	24638-5X	3:54 (46-13)	44/216 IFS	707283-6X
33844	33843	24638-5X	3:54 (46-13)	44/216	707240-6X
33850	33849	24649-5X	4:09 (45-11)	44/216 IFS	707283-9X
33850	33849	24649-5X	4:09 (45-11)	44/216	707240-9X
33953	35425	26756-5X	7:17 (43-06)	60/248	706033-8X
34110	40958	72151-5X	4:56 (41-09)	70/267	706997-2X
34411	34410	25330-5X	3:50 (42-12)	30/181	706503-14X
34508	34507	25538-5X	3:73 (41-11)	60/248	706033-2X
34508	34507	25538-5X	3:73 (41-11)	60/248	706660-2X
34508	34507	25538-5X	3:73 (41-11)	60/248	706807-3X
34508	34507	25538-5X	3:73 (41-11)	60/248	706834-3X
34714	40960	72155-5X	5:86 (41-07)	70/267	706997-5X
34717	34718	25784-5X	5:86 (41-07)	60/248	706033-6X
34808	40956	72148-5X	4:88 (39-08)	70/267	706998-5X
34808	40956	72148-5X	4:88 (39-08)	70/267	706999-8X
34810	40957	72150-5X	5:13 (41-08)	70/267	706998-6X
34810	40957	72150-5X	5:13 (41-08)	70/267	706999-9X
34812	34715	25967-1X	5:86 (41-07)	70/267	706905-5X
34812	40960	72156-5X	5:86 (41-07)	70/267	706999-10X
34815	40961	72157-5X	6:17 (37-06)	70/267	706999-12X
34837	34836	26008-1X	3:73 (41-11)	70B 70HD	706048-1X
34837	40962	72159-5X	3:73 (41-11)	70/267	706998-2X
34837	40962	72159-5X	3:73 (41-11)	70/267	706999-2X
34840	40959	72154-5X	4:10 (41-10)	70/267	706998-3X
34840	40959	72154-5X	4:10 (41-10)	70/267	706999-4X
34840	44196	74307-5X	4:10 (41-10)	70/267	707250-3X
34842	40958	72152-5X	4:56 (41-09)	70/267	706998-4X
34842	40958	72152-5X	4:56 (41-09)	70/267	706999-6X
34842	44197	74308-5X	4:56 (41-09)	70/267	707250-4X
35307	40963	72162-5X	7:17 (43-06)	70/267	706998-9X

# RING GEAR AND PINION SETS

## Listed By Ring Gear Number

Ring Gear Number	Pinion Number	Gear Set & Pinion Nut Number	Ratio & Tooth Combination	Model	Ring Gear & Pinion Kit
35307	40963	72162-5X	7:17 (43-06)	70/267	706999-14X
35682	35681	26994-5X	5:13 (41-08)	60/248	706033-9X
35978	40964	72163-5X	5:86 (41-07)	70/267	706999-11X
36211	36210	27518-5X	5:38 (43-08)	60/248	706033-10X
36787	36786	28305-5X	3:31 (43-13)	61	706396-1X
36787	36786	28305-5X	3:31 (43-13)	61	706661-1X
37245	37244	28744-5X	3:23 (42-13)	44/216 ICA	706755-6X
37245	37244	28744-5X	3:23 (42-13)	44/216	706017-16X
37245	37244	28744-5X	3:23 (42-13)	44/216	707020-2X
37259	37258	28769-5X	3:50 (42-12)	44/216	707240-5X
37768	37767	29244-5X	3:73 (41-11)	30/181	706000-3X
37768	37767	29244-5X	3:73 (41-11)	30/181	706503-3X
37768	44225	74350-5X	3:73 (41-11)	30/181	707300-5X
37768	46177	75144-5X	3:73 (41-11)	30/181	707344-11X
37768	49606	80176-5	3:73 (41-11)	30/181	708132-4
37792	37791	71771-5X	2:87 (43-15)	44/216	706017-18X
37792	40484	71771-5X	2:87 (43-15)	44/216 ICA	706755-9X
37875	34507	29420-5X	3:73 (41-11)	61	706396-4X
38132	40962	72160-5X	3:73 (41-11)	70/267	706999-3X
38133	36773	29716-5X	3:07 (43-14)	61	706396-5X
38133	41078	72264-5X	3:07 (43-14)	61	706661-11X
38634	38633	70169-5X	2:72 (49-18)	44/216	706017-19X
38634	40216	71528-5X	2:72 (49-18)	44/216 ICA	706755-8X
39064	39063	70618-5X	3:91 (43-11)	30/181	706000-14X
39070	40965	72164-5X	6:17 (37-06)	70/267	706999-13X
39159	40966	72165-5X	7:17 (43-06)	70/267	706998-10X
39159	40966	72165-5X	7:17 (43-06)	70/267	706999-15X
39211	34023	70837-5X	3:54 (46-13)	61	706661-6X
39235	39234	70853-5X	3:33 (50-15)	60/248	706660-9X
39235	39234	70853-5X	3:33 (50-15)	60/248	706807-1X
39235	39234	70853-5X	3:33 (50-15)	60/248	706834-1X
39265	39264	70870-5X	3:07 (43-14)	61	706808-3X
39265	39264	70870-5X	3:07 (43-14)	61	706835-3X
39275	40967	72166-5X	4:56 (41-09)	70/267	706999-7X
39277	40968	72167-5X	4:10 (41-10)	70/267	706999-5X
39287	40969	72168-5X	3:54 (46-13)	70/267	706998-1X
39287	40969	72168-5X	3:54 (46-13)	70/267	706999-1X
39299	34172	70907-5X	4:56 (41-09)	61	706661-8X
39300	34017	70908-5X	4:10 (41-10)	61	706661-9X
39552	39551	71196-5X	3:00 (45-15)	61	706661-10X
39552	39551	71196-5X	3:00 (45-15)	61	706808-2X
39552	39551	71196-5X	3:00 (45-15)	61	706835-2X
39829	39828	71350-5X	3:31 (43-13)	30/181	700128-5
40396	40395	71706-5X	4:10 (41-10)	28/174 IFS	707080-4X
40442	40440	71730-5X	3:73 (41-11)	28/174 IFS	707080-3X
40483	40482	71762-5X	3:07 (43-14)	44/216 IFS	707283-3X
40483	40482	71762-5X	3:07 (43-14)	44/216	707240-3X
40627	40626	71863-5X	3:73 (41-11)	30/181	706930-5X

# RING GEAR AND PINION SETS

Listed By Ring Gear Number

Ring Gear Number	Pinion Number	Gear Set & Pinion Nut Number	Ratio & Tooth Combination	Model	Ring Gear & Pinion Kit
40627	40626	71863-5X	3:73 (41-11)	30/181	708133-1
40629	40628	71864-5X	4:10 (41-10)	30/181	706930-4X
40633	40632	71866-5X	4:56 (41-09)	30/181	706930-6X
40786	40785	72002-5X	3:31 (43-13)	30/181	706930-3X
40790	40789	72003-5X	3:07 (43-14)	30/181	706930-2X
40837	40936	72038-5X	2:35 (47-20)	30/181	700128-7
41466	41372	72504-5X	3:31 (43-13)	36/200 ICA	-
41466	41372	72504-5X	3:31 (43-13)	36/200 ICA	706870-6X
41474	41467	72505-5X	3:07 (43-14)	36/200 ICA	-
41474	41467	72505-5X	3:07 (43-14)	36/200 ICA	706870-5X
41476	41475	72587-5X	2:73 (41-15)	36/200 ICA	-
41725	41724	72719-5X	3:07 (43-14)	44/216 ICA	-
41902	41898	72668-5X	2:59 (44-17)	36/200 ICA	-
41983	41982	72896-5X	3:31 (43-13)	35/194	-
42120	42119	72932-5X	4:11 (37-09)	35/194	-
42124	42123	72933-5X	3:54 (46-13)	35/194	-
42128	42127	72934-5X	3:08 (40-13)	35/194	-
42132	42131	72935-5X	2:73 (41-15)	35/194	-
42144	42143	72938-5X	3:73 (41-11)	35/194	-
42162	42161	72950-5X	3:54 (46-13)	44/216 F-CAR	-
42162	42385	73134-5X	3:54 (46-13)	44/216 ICA	-
42238	42237	73029-5X	3:42 (41-12)	70/267	707055-2X
42245	40958	73032-5X	4:56 (41-09)	70/267	707055-3X
42251	42250	73039-5X	3:73 (41-11)	30/181	706000-20X
42310	42309	73093-5X	2:72 (49-18)	30/181	706930-7X
42336	42190	73105-5X	3:07 (43-14)	70-2UA	706998-13X
42336	44194	74305-5X	3:07 (43-14)	70-2UA	707250-1X
42420	42419	73167-5X	4:63 (37-08)	80/286	707060-12X
42420	42419	73167-5X	4:63 (37-08)	80/286	707060-1X
42420	42419	73167-5X	4:63 (37-08)	80/286	707361-5X
42420	42419	80730-5	4:63 (37-08)	80/286	707060-1X
42420	42419	80730-5	4:63 (37-08)	80/286	707361-13X
42424	42423	73168-5X	5:13 (41-08)	80/286	707060-13X
42424	42423	73168-5X	5:13 (41-08)	80/286	707060-4X
42424	42423	73168-5X	5:13 (41-08)	80/286	707361-6X
42465	42464	73200-5X	4:10 (41-10)	80/286	707361-10X
42465	42464	73200-5X	4:10 (41-10)	80/286	708026-2
42465	42464	73200-5X	4:10 (41-10)	80/286	708026-4
42465	42464	73200-5X	4:10 (41-10)	80/286	708150-2
42465	49419	80087-5	4:10 (41-10)	80/286	707361-11X
42624	42623	73335-5X	3:45 (38-11)	30/181	706000-21X
42680	42682	73353-5X	3:54 (46-13)	80/286	708026-1
42680	42682	73353-5x	3:54 (46-13)	80/286	708026-3
42680	42682	73353-5X	3:54 (46-13)	80/286	708150-1
42701	42699	73368-5X	3:54 (39-11)	30/181	706930-8X
42720	41982	73381-5X	3:31 (43-13)	35/194	707244-2X
42721	42115	73382-5X	4:56 (41-09)	35/194 IFS	707359-5X
42721	42115	73382-5X	4:56 (41-09)	35/194	707244-5X



# RING GEAR AND PINION SETS

## Listed By Ring Gear Number

Ring Gear Number	Pinion Number	Gear Set & Pinion Nut Number	Ratio & Tooth Combination	Model	Ring Gear & Pinion Kit
42722	42119	73383-5X	4:11 (37-09)	35/194	707244-4X
42724	42143	73385-5X	3:73 (41-11)	35/194 IFS	707359-3X
42725	42469	73386-5X	3:55 (39-11)	35/194 IFS	707359-2X
42725	42469	73386-5X	3:55 (39-11)	35/194	707244-3X
42756	42755	73403-5X	3:73 (41-11)	35/194 IFS	707170-2X
42760	42759	73404-5X	4:10 (41-10)	35/194 IFS	707170-3X
42817	42816	73434-5X	3:55 (39-11)	35/194 IFS	707170-1X
42828	42827	73442-5X	3:07 (43-14)	35/194	707244-1X
43006	43004	73515-5X	3:73 (41-11)	28/174 IFS	707221-1X
43168	43169	73606-5X	3:27 (49-15)	35/194 IFS	707170-4X
43531	45564	85106-5	4:10 (41-10)	44/216	85106-5
43591	43589	73887-5X	3:27 (36-11)	28/174 IFS	707221-2X
43616	43615	73909-5X	3:27 (49-15)	35/194 IFS	707359-1X
43626	43625	73917-5X	3:45 (38-11)	44/216 ICA	-
43628	43627	73919-5X	3:33 (40-12)	44/216 ICA	-
43661	43660	73958-5X	3:73 (41-11)	80/286	707060-3X
43829	43828	73442-5X	3.07 (43-14)	35/194	707244-1X
43982	44226	74351-5X	3:55 (39-11)	30/181	707300-4X
43982	46173	75143-5X	3:55 (39-11)	30/181	707344-10X
44065	40963	74253-5X	7:17 (43-06)	70/267	706998-14X
44065	44199	74342-5X	7:17 (43-06)	70/267	708015-3
44065	44199	74342-5X	7:17 (43-06)	70/267	708015-6
44086	44085	74251-5X	3:31 (43-13)	44/216 IFS	707283-4X
44086	44085	74251-5X	3:31 (43-13)	44/216	707240-4X
44222	44221	74346-5X	3:55 (39-11)	35/194 IFS	-
44273	44272	74375-5X	3:31 (43-13)	80/286	707060-7X
44332	44331	74423-5X	4:09 (45-11)	60/248	706033-13X
44332	44331	74423-5X	4:09 (45-11)	60/248	708021-1
44765	46636	75222-5X	3:73 (41-11)	44/216	707381-4X
44805	44438	74436-5X	3:07 (43-14)	44/216 ICA	-
44841	44840	74680-5X	4:63 (37-08)	80/286	707361-1X
45565	45564	74720-5X	4:10 (41-10)	44/216	-
45565	45564	74720-5X	4:10 (41-10)	44/216	707338-5X
46132	46131	75136-5X	3:55 (39-11)	35/194	707244-7X
46132	43131	75136-5X	3:55 (39-11)	35/194	-
46136	46135	75137-5X	3:73 (41-11)	35/194	707244-8X
46182	46135	76281-7	3:73 (41-11)	Super 35/198	-
46210	46209	75180-5X	4.09 (45 - 11)	60/248	707345-2X
46216	46215	75185-5X	3.55 (39-11)	60/248	707345-1X
46216	45736	74948-5X	3:55 (39-11)	60/248	706033-15X
46216	46215	75185-5X	3:55 (39-11)	60/248	708009-1
46216	46215	75185-5X	3:55 (39-11)	60/248	708009-3
46216	46215	75185-5X	3:55 (39-11)	60/248	708148-1
46257	46256	75248-5X	4:10 (41-10)	60/248	708009-2
46257	46256	75248-5X	4:10 (41-10)	60/248	708009-4
46257	46256	75248-5X	4:10 (41-10)	60/248	708148-2
46257	46416	75311-5X	4:10 (41-10)	60/248	706033-16X
46542	46541	75402-5X	3:07 (43-14)	44/216 ICA	-

# RING GEAR AND PINION SETS

Listed By Ring Gear Number



Ring Gear Number	Pinion Number	Gear Set & Pinion Nut Number	Ratio & Tooth Combination	Model	Ring Gear & Pinion Kit
46638	46637	74855-5X	3:55 (39-11)	44/216	707381-3X
46638	47238	75861-5X	3:55 (39-11)	44/216	-
46745	46744	75518-5X	3:45 (38-11)	44/216 ICA	-
46927	46926	75599-5X	4:10 (41-10)	35/194 IFS	707359-4X
46976	44840	75619-5X	4:63 (37-08)	80/286	707361-3X
46978	44842	75621-5X	5:13 (41-08)	80/286	707361-4X
47204	47203	75812-5X	3:21 (45-14)	35/194 IFS	-
47206	47205	75813-5X	3:92 (47-12)	35/194 IFS	-
47533	47532	75999-5X	4:10 (41-10)	70/267	707407-1X
47533	47532	75999-5X	4:10 (41-10)	70/267	707482-1X
47533	47532	75999-5X	4:10 (41-10)	70/267	708015-2
47533	47532	75999-5X	4:10 (41-10)	70/267	708015-5
47533	47532	75999-5X	4:10 (41-10)	70/267	708126-1
47533	47532	75999-5X	4:10 (41-10)	70/267	708149-2
47609	47608	76047-5X	4:10 (41-10)	60/248	707424-5
47609	47608	76047-5X	4:10 (41-10)	60/248	707430-3X
47609	47608	76047-5X	4:10 (41-10)	60/248	708124-3
47609	47608	76047-5X	4:10 (41-10)	60/248	708125-5
47682	47683	76086-5X	3:73 (41-11)	60/248	707424-2X
47682	47683	76086-5X	3:73 (41-11)	60/248	708125-1
47684	47685	76087-5X	4:09 (45-11)	60/248	707424-3X
47686	47687	76088-5X	3:55 (39-11)	60/248	707430-1X
47686	47687	76088-5X	3:55 (39-11)	60/248	708124-1
47686	47687	76088-5X	3:55 (39-11)	60/248	708125-6
47688	47689	76089-5X	3:73 (41-11)	60/248	707430-2X
47688	47689	76089-5X	3:73 (41-11)	60/248	708124-2
47688	47689	76089-5X	3:73 (41-11)	60/248	708125-4
47841	47839	76128-5X	4:30 (43-10)	80/286	707476-3X
47841	47839	80584-5	4:30 (43-10)	80/286	707476-8
47846	47845	76138-5X	4:88 (39-08)	80/286	707476-4X
47902	47903	76127-5X	3:73 (41-11)	50/229	-
47902	47903	76127-5X	3:73 (41-11)	50/229	707474-1X
47902	47903	76127-5X	3:73 (41-11)	50/229	708122-1
47906	47907	76136-5X	4:30 (43-10)	50/229	-
47906	47907	76136-5X	4:30 (43-10)	50/229	707474-3X
47906	47907	76136-5X	4:30 (43-10)	50/229	708122-3
47914	47915	76160-5X	4:30 (43-10)	60/248	707475-3X
47914	47915	76160-5X	4:30 (43-10)	60/248	708123-3
47918	47919	76161-5X	3:73 (41-11)	60/248	707475-1X
47918	47919	76161-5X	3:73 (41-11)	60/248	708123-1
47921	47922	76163-5X	4:88 (39-08)	60/248	707475-4X
47921	47922	76163-5X	4:88 (39-08)	60/248	708123-4
47925	47926	76164-5X	5:38 (43-08)	60/248	707475-5X
47925	47926	76164-5X	5:38 (43-08)	60/248	708123-5
48101	48100	76256-5X	3:73 (41-11)	80/286	707476-1X
48101	48100	80582-5	3:73 (41-11)	80/286	707476-6
48103	48102	76257-5X	4:10 (41-10)	80/286	707476-2X
48103	48102	80583-5	4:10 (41-10)	80/286	707361-12X

# RING GEAR AND PINION SETS

## Listed By Ring Gear Number

Ring Gear Number	Pinion Number	Gear Set & Pinion Nut Number	Ratio & Tooth Combination	Model	Ring Gear & Pinion Kit
48103	48102	80583-5	4:10 (41-10)	80/286	707476-7
48105	48104	76258-5X	5:38 (43-08)	80/286	707476-5X
48144	48665	76542-5X	3:73 (41-11)	Super 44/226	-
48181	46131	76280-5X	3:55 (39-11)	Super 35/198	-
48181	46131	76280-6	3:55 (39-11)	35/194	-
48182	46135	76281-5X	3:73 (41-11)	Super 35/198	-
48182	46135	76281-6	3:73 (41-11)	Super 35/198	-
48382	48393	76385-5X	3:55 (39-11)	30/181	708132-2
48382	48393	76385-5X	3:55 (39-11)	Super 30/186	-
48382	48393	76385-5X	3:55 (39-11)	Super 30/186	707344-8X
48386	48395	76386-5X	3:73 (41-11)	Super 30/186	-
48386	48395	76386-5X	3:73 (41-11)	Super 30/186	707344-9X
48386	51015	84004-5	3:73 (41-11)	Super 30/186	-
48390	51019	84006-5	4:10 (41-10)	Super 30/186	-
48625	48626	76509-5X	4:56 (41-09)	70/267	707482-2X
48738	48737	76568-5X	3:54 (46-13)	70/267	708015-4
48738	48737	76568-5X	3:54 (46-13)	70/267	708149-1
49613	49612	80177-5	3:91 (43-11)	Super 30/186	-
49626	49625	80186-5	3:91 (43-11)	Super 44/226	-
49816	49815	80299-5	3:55 (39-11)	Super 30/186	708098-2
49818	49817	80300-5	3:73 (41-11)	Super 30/186	708098-3
50077	50076	80417-5	4:56 (41-09)	70/267	708074-2
50081	50080	80418-5	4:10 (41-10)	70/267	708074-1
50481	42119	80613-5	4:11 (37-09)	35/194	-
50481	42119	80613-6	4:11 (37-09)	35/194	-
50547	50546	80649-5	3:73 (41-11)	80/286	707476-9
50547	50546	80649-5	3:73 (41-11)	80/286	708120-5
50551	50550	80650-5	4:10 (41-10)	80/286	707476-10
50551	50550	80650-5	4:10 (41-10)	80/286	708120-6
50555	50554	80651-5	4:30 (43-10)	80/286	707476-11
50555	50554	80651-5	4:30 (43-10)	80/286	708120-7
50733	46541	80739-5	3:07 (43-14)	44/216 ICA	-
51009	51007	84002-5	4:88 (39-08)	80/286	707476-12
51009	51007	84002-5	4:88 (39-08)	80/286	708120-10
51013	51011	84003-5	5:38 (43-08)	80/286	707476-13
51013	51011	84003-5	5:38 (43-08)	80/286	708120-11
51112	51021	84032-5	3:55 (39-11)	Super 30/186	-
51112	54157	85407-5	3:55 (39-11)	Super 30/186	-
51113	51055	84033-5	3:73 (41-11)	Super 30/186	-
51171	51172	84055-5	4:10 (41-10)	Super 70/273	-
51172	51171	84055-5	4:10 (41-10)	70/267	708074-1
51172	51171	84055-5	4:10 (41-10)	70/267	708074-3
51172	51171	84055-5	4:10 (41-10)	70/267	708127-1
51177	51176	84057-5	4:56 (41-09)	70/267	708074-2
51177	51176	84057-5	4:56 (41-09)	70/267	708074-4
51177	51176	84057-5	4:56 (41-09)	70/267	708127-2
51177	51176	84057-5	4:56 (41-09)	Super 70/273	84057-5
51208	52899	84073-5	3:55 (39-11)	Super 44/226	-

# RING GEAR AND PINION SETS

Listed By Ring Gear Number



Ring Gear Number	Pinion Number	Gear Set & Pinion Nut Number	Ratio & Tooth Combination	Model	Ring Gear & Pinion Kit
51300	42827	84118-5	3:07 (43-14)	35/194	-
51403	51402	84212-5	3:73 (41-11)	Super 44/226	-
51405	51404	84213-5	3:91 (43-11)	Super 44/226	-
51407	51406	84214-5	3:55 (39-11)	Super 35/198	-
51409	51408	84215-5	3:73 (41-11)	Super 35/198	-
52975	52974	84846-5	4:10 (41-10)	70/267	708126-3
53427	53426	85071-5	4:56 (41-09)	35/194	-
53464	53463	85072-5	4:56 (41-09)	30/181	708132-5
53531	45564	85106-6	4:10 (41-10)	44/216	-
54702	31492	85609-5	3:07 (43-14)	44/216	-
54702	31492	85609-6	3:07 (43-14)	44/216	-
54703	32072	85610-5	3:73 (41-11)	44/216	-
620002	620001	660002	3:00 (45-15)	44/216	707240-2X
620095	620094	660069-5	3:54 (46-13)	60/248	700020-1
620108	47912	76159-5X	4:10 (41-10)	60/248	707475-2X
620108	47912	76159-5X	4:10 (41-10)	60/248	708123-2
620108	620107	660071	4:10 (41-10)	60/248	700020-2
620224	620223	660150-5	3:42 (41-12)	44/216	700025-3
620481	620480	660319-5	4:10 (41-10)	50/229 IFS	707239-2X
620481	620480	660319-5	4:10 (41-10)	50/229	-
620481	620480	660319-5	4:10 (41-10)	50/229	707474-2X
620481	620480	660319-5	4:10 (41-10)	50/229	708122-2
620511	620510	660231-5	3:54 (46-13)	50/229 IFS	707239-1X
620576	620575	660405	2:94 (47-16)	44/216	700025-7
620664	620663	660465-5	2:72 (49-18)	30/181	700128-2
620858	620857	660529-5	3:08 (40-13)	28/174 IFS	707080-1X
621058	621057	660593-5	3:45 (38-11)	28/174 IFS	707080-2X
78738	48737	76568-5X	3:54 (46-13)	70/267	708015-1

# RING GEAR AND PINION SETS

## Listed By Pinion Number

Pinion Number	Ring Gear Number	Gear Set & Pinion Nut Number	Ratio & Tooth Combination	Model	Ring Gear & Pinion Kit
31488	18445	22104-5X	3:92 (47-12)	44/216	-
31488	18445	22104-5X	3:92 (47-12)	44/216	706017-11X
31488	18445	22104-5X	3:92 (47-12)	44/216	707020-5X
31488	18445	22104-5X	3:92 (47-12)	44/216	707338-2X
31491	18679	22105-5X	4:55 (50-11)	44/216	706017-21X
31491	18679	22105-5X	4:55 (50-11)	44/216	706017-6X
31492	30060	22106-5X	3:07 (43-14)	44/216 ICA	706755-4X
31492	30060	22106-5X	3:07 (43-14)	44/216 ICA	706800-2X
31492	30060	22106-5X	3:07 (43-14)	44/216	-
31492	30060	22106-5X	3:07 (43-14)	44/216	706017-1X
31492	54702	85609-5	3:07 (43-14)	44/216	-
31492	54702	85609-6	3:07 (43-14)	44/216	-
31766	18530	22404-5X	5:38 (43-08)	44/216	706017-8X
32072	18515	22736-5X	3:73 (41-11)	44/216 ICA	706755-3X
32072	18515	22736-5X	3:73 (41-11)	44/216	-
32072	18515	22736-5X	3:73 (41-11)	44/216	706017-4X
32072	54703	85610-5	3:73 (41-11)	44/216	-
32073	18520	22745-5X	4:09 (45-11)	44/216	706017-5X
32073	18520	22745-5X	4:09 (45-11)	44/216	707020-4X
32073	18520	22745-5X	4:09 (45-11)	44/216	707338-3X
32082	31962	22752-1X	6.17 (37-06)	70/267	706048-9X
32171	18437	22856-5X	3:54 (46-13)	44/216 ICA	706755-2X
32171	18437	22856-5X	3:54 (46-13)	44/216	-
32171	18437	22856-5X	3:54 (46-13)	44/216	706017-3X
32171	18437	22856-5X	3:54 (46-13)	44/216	707020-3X
32171	18437	22856-5X	3:54 (46-13)	44/216	707338-1X
32359	18450	23064-5X	4:27 (47-11)	44/216	706017-10X
32367	18525	23053-5X	4:89 (44-09)	44/216	706017-7X
32830	18426	23592-5X	3:31 (43-13)	44/216 ICA	706755-1X
32830	18426	23592-5X	3:31 (43-13)	44/216	706017-2X
32973	30706	23713-5X	5:89 (53-09)	44/216	706017-9X
32979	32951	23719-5X	4:56 (41-09)	30/181	706503-5X
32980	32906	23721-5X	4:10 (41-10)	30/181	706000-4X
32980	32906	23721-5X	4:10 (41-10)	30/181	706503-4X
32981	32934	23723-5X	3:07 (43-14)	30/181	706000-10X
32981	32934	23723-5X	3:07 (43-14)	30/181	706503-10X
32981	32984	23723-5X	3:07 (43-14)	30/181	700128-1
33216	33217	23770-5X	3:31 (43-13)	30/181	706000-1X
33216	33217	23770-5X	3:31 (43-13)	30/181	706503-1X
33250	32957	23820-5X	3:54 (46-13)	30/181	700128-6
33250	32957	23820-5X	3:54 (46-13)	30/181	706000-2X
33250	32957	23820-5X	3:54 (46-13)	30/181	706503-2X
33439	33431	23979-5X	4:88 (39-08)	30/181	706000-6X
33439	33431	23979-5X	4:88 (39-08)	30/181	706503-6X
33673	33428	24977-5X	4:27 (47-11)	30/181	706000-8X
33673	33428	24977-5X	4:27 (47-11)	30/181	706503-8X
33843	33844	24638-5X	3:54 (46-13)	44/216 IFS	707283-6X
33843	33844	24638-5X	3:54 (46-13)	44/216	707240-6X



# RING GEAR AND PINION SETS

Listed By Pinion Number



Pinion Number	Ring Gear Number	Gear Set & Pinion Nut Number	Ratio & Tooth Combination	Model	Ring Gear & Pinion Kit
33849	33850	24649-5X	4:09 (45-11)	44/216 IFS	707283-9X
33849	33850	24649-5X	4:09 (45-11)	44/216	707240-9X
34017	30360	24807-5X	4:10 (41-10)	60/248	706033-3X
34017	30360	24807-5X	4:10 (41-10)	60/248	706807-4X
34017	30360	24807-5X	4:10 (41-10)	60/248	706834-4X
34017	39300	70908-5X	4:10 (41-10)	61	706661-9X
34023	32503	24813-5X	3:54 (46-13)	60/248	706033-1X
34023	32503	24813-5X	3:54 (46-13)	60/248	706660-1X
34023	32503	24813-5X	3:54 (46-13)	60/248	706807-2X
34023	32503	24813-5X	3:54 (46-13)	60/248	706834-2X
34023	39211	70837-5X	3:54 (46-13)	61	706661-6X
34172	30316	25127-5X	4:56 (41-09)	60/248	706033-4X
34172	39299	70907-5X	4:56 (41-09)	61	706661-8X
34383	30268	25334-5X	4:88 (39-08)	60/248	706033-5X
34410	34411	25330-5X	3:50 (42-12)	30/181	706503-14X
34483	30841	25184-5X	4:78 (43-09)	44/216	706017-12X
34507	34508	25538-5X	3:73 (41-11)	60/248	706033-2X
34507	34508	25538-5X	3:73 (41-11)	60/248	706660-2X
34507	34508	25538-5X	3:73 (41-11)	60/248	706807-3X
34507	34508	25538-5X	3:73 (41-11)	60/248	706834-3X
34507	37875	29420-5X	3:73 (41-11)	61	706396-4X
34715	34812	25967-1X	5:86 (41-07)	70/267	706905-5X
34718	34717	25784-5X	5:86 (41-07)	60/248	706033-6X
34836	34837	26008-1X	3:73 (41-11)	70B 70HD	706048-1X
35425	33953	26756-5X	7:17 (43-06)	60/248	706033-8X
35658	32626	26628-5X	6:17 (37-06)	60/248	706033-7X
35681	35682	26994-5X	5:13 (41-08)	60/248	706033-9X
36210	36211	27518-5X	5:38 (43-08)	60/248	706033-10X
36773	38133	29716-5X	3:07 (43-14)	61	706396-5X
36786	36787	28305-5X	3:31 (43-13)	61	706396-1X
36786	36787	28305-5X	3:31 (43-13)	61	706661-1X
37244	37245	28744-5X	3:23 (42-13)	44/216 ICA	706755-6X
37244	37245	28744-5X	3:23 (42-13)	44/216	706017-16X
37244	37245	28744-5X	3:23 (42-13)	44/216	707020-2X
37258	37259	28769-5X	3:50 (42-12)	44/216	707240-5X
37767	37768	29244-5X	3:73 (41-11)	30/181	706000-3X
37767	37768	29244-5X	3:73 (41-11)	30/181	706503-3X
37791	37792	71771-5X	2:87 (43-15)	44/216	706017-18X
38633	38634	70169-5X	2:72 (49-18)	44/216	706017-19X
39063	39064	70618-5X	3:91 (43-11)	30/181	706000-14X
39234	39235	70853-5X	3:33 (50-15)	60/248	706660-9X
39234	39235	70853-5X	3:33 (50-15)	60/248	706807-1X
39234	39235	70853-5X	3:33 (50-15)	60/248	706834-1X
39264	39265	70870-5X	3:07 (43-14)	61	706808-3X
39264	39265	70870-5X	3:07 (43-14)	61	706835-3X
39551	39552	71196-5X	3:00 (45-15)	61	706661-10X
39551	39552	71196-5X	3:00 (45-15)	61	706808-2X
39551	39552	71196-5X	3:00 (45-15)	61	706835-2X

# RING GEAR AND PINION SETS

## Listed By Pinion Number

Pinion Number	Ring Gear Number	Gear Set & Pinion Nut Number	Ratio & Tooth Combination	Model	Ring Gear & Pinion Kit
39828	39829	71350-5X	3:31 (43-13)	30/181	700128-5
40216	38634	71528-5X	2:72 (49-18)	44/216 ICA	706755-8X
40395	40396	71706-5X	4:10 (41-10)	28/174 IFS	707080-4X
40440	40442	71730-5X	3:73 (41-11)	28/174 IFS	707080-3X
40482	40483	71762-5X	3:07 (43-14)	44/216 IFS	707283-3X
40482	40483	71762-5X	3:07 (43-14)	44/216	707240-3X
40484	37792	71771-5X	2:87 (43-15)	44/216 ICA	706755-9X
40626	40627	71863-5X	3:73 (41-11)	30/181	706930-5X
40626	40627	71863-5X	3:73 (41-11)	30/181	708133-1
40628	40629	71864-5X	4:10 (41-10)	30/181	706930-4X
40632	40633	71866-5X	4:56 (41-09)	30/181	706930-6X
40785	40786	72002-5X	3:31 (43-13)	30/181	706930-3X
40789	40790	72003-5X	3:07 (43-14)	30/181	706930-2X
40936	40837	72038-5X	2:35 (47-20)	30/181	700128-7
40956	30794	72147-5X	4:88 (39-08)	70/267	706997-3X
40956	34808	72148-5X	4:88 (39-08)	70/267	706998-5X
40956	34808	72148-5X	4:88 (39-08)	70/267	706999-8X
40957	31169	72149-5X	5:13 (41-08)	70/267	706997-4X
40957	34810	72150-5X	5:13 (41-08)	70/267	706998-6X
40957	34810	72150-5X	5:13 (41-08)	70/267	706999-9X
40958	34110	72151-5X	4:56 (41-09)	70/267	706997-2X
40958	34842	72152-5X	4:56 (41-09)	70/267	706998-4X
40958	34842	72152-5X	4:56 (41-09)	70/267	706999-6X
40958	42245	73032-5X	4:56 (41-09)	70/267	707055-3X
40959	31711	72153-5X	4:10 (41-10)	70/267	706997-1X
40959	34840	72154-5X	4:10 (41-10)	70/267	706998-3X
40959	34840	72154-5X	4:10 (41-10)	70/267	706999-4X
40960	34714	72155-5X	5:86 (41-07)	70/267	706997-5X
40960	34812	72156-5X	5:86 (41-07)	70/267	706999-10X
40961	31962	72158-5X	6:17 (37-06)	70/267	706997-6X
40961	34815	72157-5X	6:17 (37-06)	70/267	706999-12X
40962	34837	72159-5X	3:73 (41-11)	70/267	706998-2X
40962	34837	72159-5X	3:73 (41-11)	70/267	706999-2X
40962	38132	72160-5X	3:73 (41-11)	70/267	706999-3X
40963	32742	72161-5X	7:17 (43-06)	70/267	706997-7X
40963	35307	72162-5X	7:17 (43-06)	70/267	706998-9X
40963	35307	72162-5X	7:17 (43-06)	70/267	706999-14X
40963	44065	74253-5X	7:17 (43-06)	70/267	706998-14X
40964	35978	72163-5X	5:86 (41-07)	70/267	706999-11X
40965	39070	72164-5X	6:17 (37-06)	70/267	706999-13X
40966	39159	72165-5X	7:17 (43-06)	70/267	706998-10X
40966	39159	72165-5X	7:17 (43-06)	70/267	706999-15X
40967	39275	72166-5X	4:56 (41-09)	70/267	706999-7X
40968	39277	72167-5X	4:10 (41-10)	70/267	706999-5X
40969	39287	72168-5X	3:54 (46-13)	70/267	706998-1X
40969	39287	72168-5X	3:54 (46-13)	70/267	706999-1X
41078	38133	72264-5X	3:07 (43-14)	61	706661-11X
41182	18426	72386-5X	3:31 (43-13)	44/216 F-CAR	706990-1X

# RING GEAR AND PINION SETS

## Listed By Pinion Number

Pinion Number	Ring Gear Number	Gear Set & Pinion Nut Number	Ratio & Tooth Combination	Model	Ring Gear & Pinion Kit
41183	18520	72387-5X	4:09 (45-11)	44/216 F-CAR	706990-2X
41336	18445	72459-5X	3:92 (47-12)	44/216 F-CAR	706990-3X
41372	41466	72504-5X	3:31 (43-13)	36/200 ICA	-
41372	41466	72504-5X	3:31 (43-13)	36/200 ICA	706870-6X
41467	41474	72505-5X	3:07 (43-14)	36/200 ICA	-
41467	41474	72505-5X	3:07 (43-14)	36/200 ICA	706870-5X
41475	41476	72587-5X	2:73 (41-15)	36/200 ICA	-
41724	41725	72719-5X	3:07 (43-14)	44/216 ICA	-
41898	41902	72668-5X	2:59 (44-17)	36/200 ICA	-
41982	41983	72896-5X	3:31 (43-13)	35/194	-
41982	42720	73381-5X	3:31 (43-13)	35/194	707244-2X
42115	42721	73382-5X	4:56 (41-09)	35/194 IFS	707359-5X
42115	42721	73382-5X	4:56 (41-09)	35/194	707244-5X
42119	42120	72932-5X	4:11 (37-09)	35/194	-
42119	42722	73383-5X	4:11 (37-09)	35/194	707244-4X
42119	50481	80613-5	4:11 (37-09)	35/194	-
42119	50481	80613-6	4:11 (37-09)	35/194	-
42123	42124	72933-5X	3:54 (46-13)	35/194	-
42127	42128	72934-5X	3:08 (40-13)	35/194	-
42131	42132	72935-5X	2:73 (41-15)	35/194	-
42143	42144	72938-5X	3:73 (41-11)	35/194	-
42143	42724	73385-5X	3:73 (41-11)	35/194 IFS	707359-3X
42161	42162	72950-5X	3:54 (46-13)	44/216 F-CAR	-
42190	42336	73105-5X	3:07 (43-14)	70-2UA	706998-13X
42237	42238	73029-5X	3:42 (41-12)	70/267	707055-2X
42250	42251	73039-5X	3:73 (41-11)	30/181	706000-20X
42309	42310	73093-5X	2:72 (49-18)	30/181	706930-7X
42385	42162	73134-5X	3:54 (46-13)	44/216 ICA	-
42419	42420	73167-5X	4:63 (37-08)	80/286	707060-1X
42419	42420	73167-5X	4:63 (37-08)	80/286	707060-12X
42419	42420	73167-5X	4:63 (37-08)	80/286	707361-5X
42419	42420	80730-5	4:63 (37-08)	80/286	707060-1X
42419	42420	80730-5	4:63 (37-08)	80/286	707361-13X
42423	42424	73168-5X	5:13 (41-08)	80/286	707060-13X
42423	42424	73168-5X	5:13 (41-08)	80/286	707060-4X
42423	42424	73168-5X	5:13 (41-08)	80/286	707361-6X
42464	42465	73200-5X	4:10 (41-10)	80/286	707361-10X
42464	42465	73200-5X	4:10 (41-10)	80/286	708026-2
42464	42465	73200-5X	4:10 (41-10)	80/286	708026-4
42464	42465	73200-5X	4:10 (41-10)	80/286	708150-2
42469	42725	73386-5X	3:55 (39-11)	35/194 IFS	707359-2X
42469	42725	73386-5X	3:55 (39-11)	35/194	707244-3X
42623	42624	73335-5X	3:45 (38-11)	30/181	706000-21X
42682	42680	73353-5X	3:54 (46-13)	80/286	708026-1
42682	42680	73353-5x	3:54 (46-13)	80/286	708026-3
42682	42680	73353-5X	3:54 (46-13)	80/286	708150-1
42699	42701	73368-5X	3:54 (39-11)	30/181	706930-8X
42755	42756	73403-5X	3:73 (41-11)	35/194 IFS	707170-2X

# RING GEAR AND PINION SETS

## Listed By Pinion Number

Pinion Number	Ring Gear Number	Gear Set & Pinion Nut Number	Ratio & Tooth Combination	Model	Ring Gear & Pinion Kit
42759	42760	73404-5X	4:10 (41-10)	35/194 IFS	707170-3X
42816	42817	73434-5X	3:55 (39-11)	35/194 IFS	707170-1X
42827	42828	73442-5X	3:07 (43-14)	35/194	707244-1X
42827	51300	84118-5	3:07 (43-14)	35/194	-
43004	43006	73515-5X	3:73 (41-11)	28/174 IFS	707221-1X
43169	43168	73606-5X	3:27 (49-15)	35/194 IFS	707170-4X
43589	43591	73887-5X	3:27 (36-11)	28/174 IFS	707221-2X
43615	43616	73909-5X	3:27 (49-15)	35/194 IFS	707359-1X
43625	43626	73917-5X	3:45 (38-11)	44/216 ICA	-
43627	43628	73919-5X	3:33 (40-12)	44/216 ICA	-
43660	43661	73958-5X	3:73 (41-11)	80/286	707060-3X
43828	43829	73442-5X	3:07 (43-14)	35/194	707244-1X
44085	44086	74251-5X	3:31 (43-13)	44/216 IFS	707283-4X
44085	44086	74251-5X	3:31 (43-13)	44/216	707240-4X
44194	42336	74305-5X	3:07 (43-14)	70-2UA	707250-1X
44196	34840	74307-5X	4:10 (41-10)	70/267	707250-3X
44197	34842	74308-5X	4:56 (41-09)	70/267	707250-4X
44199	44065	74342-5X	7:17 (43-06)	70/267	708015-3
44199	44065	74342-5X	7:17 (43-06)	70/267	708015-6
44221	44222	74346-5X	3:55 (39-11)	35/194 IFS	-
44225	37768	74350-5X	3:73 (41-11)	30/181	707300-5X
44226	43982	74351-5X	3:55 (39-11)	30/181	707300-4X
44272	44273	74375-5X	3:31 (43-13)	80/286	707060-7X
44331	44332	74423-5X	4:09 (45-11)	60/248	706033-13X
44331	44332	74423-5X	4:09 (45-11)	60/248	708021-1
44438	44805	74436-5X	3:07 (43-14)	44/216 ICA	-
44840	44841	74680-5X	4:63 (37-08)	80/286	707361-1X
44840	46976	75619-5X	4:63 (37-08)	80/286	707361-3X
44842	46978	75621-5X	5:13 (41-08)	80/286	707361-4X
45564	43531	85106-5	4:10 (41-10)	44/216	85106-5
45564	45565	74720-5X	4:10 (41-10)	44/216	-
45564	45565	74720-5X	4:10 (41-10)	44/216	707338-5X
45564	53531	85106-6	4:10 (41-10)	44/216	-
45736	46216	74948-5X	3:55 (39-11)	60/248	706033-15X
46131	46132	75136-5X	3:55 (39-11)	35/194	707244-7X
46131	46132	75136-5X	3:55 (39-11)	35/194	-
46131	48181	76280-5X	3:55 (39-11)	Super 35/198	-
46131	48181	76280-6	3:55 (39-11)	35/194	-
46135	46136	75137-5X	3:73 (41-11)	35/194	707244-8X
46135	46182	76281-7	3:73 (41-11)	Super 35/198	-
46135	48182	76281-6	3:73 (41-11)	Super 35/198	-
46135	48182	76281-5X	3:73 (41-11)	Super 35/198	-
46173	43982	75143-5X	3:55 (39-11)	30/181	707344-10X
46177	37768	75144-5X	3:73 (41-11)	30/181	707344-11X
46209	46210	75180-5X	4.09 (45 - 11)	60/248	707345-2X
46211	32934	75181-5X	3:07 (43-14)	30/181	707344-2X
46211	32934	75181-5X	3:07 (43-14)	30/181	708132-1
46214	32906	75182-5X	4:10 (41-10)	30/181	707344-6X

# RING GEAR AND PINION SETS

## Listed By Pinion Number

Pinion Number	Ring Gear Number	Gear Set & Pinion Nut Number	Ratio & Tooth Combination	Model	Ring Gear & Pinion Kit
46214	32906	75182-5X	4:10 (41-10)	30/181	708132-3
46215	46216	75185-5X	3.55 (39-11)	60/248	707345-1X
46215	46216	75185-5X	3:55 (39-11)	60/248	708009-1
46215	46216	75185-5X	3:55 (39-11)	60/248	708009-3
46215	46216	75185-5X	3:55 (39-11)	60/248	708148-1
46256	46257	75248-5X	4:10 (41-10)	60/248	708009-2
46256	46257	75248-5X	4:10 (41-10)	60/248	708009-4
46256	46257	75248-5X	4:10 (41-10)	60/248	708148-2
46416	46257	75311-5X	4:10 (41-10)	60/248	706033-16X
46541	46542	75402-5X	3:07 (43-14)	44/216 ICA	-
46541	50733	80739-5	3:07 (43-14)	44/216 ICA	-
46636	44765	75222-5X	3:73 (41-11)	44/216	707381-4X
46637	46638	74855-5X	3:55 (39-11)	44/216	707381-3X
46744	46745	75518-5X	3:45 (38-11)	44/216 ICA	-
46926	46927	75599-5X	4:10 (41-10)	35/194 IFS	707359-4X
47203	47204	75812-5X	3:21 (45-14)	35/194 IFS	-
47205	47206	75813-5X	3:92 (47-12)	35/194 IFS	-
47238	46638	75861-5X	3:55 (39-11)	44/216	-
47532	47533	75999-5X	4:10 (41-10)	70/267	707407-1X
47532	47533	75999-5X	4:10 (41-10)	70/267	707482-1X
47532	47533	75999-5X	4:10 (41-10)	70/267	708015-2
47532	47533	75999-5X	4:10 (41-10)	70/267	708015-5
47532	47533	75999-5X	4:10 (41-10)	70/267	708126-1
47532	47533	75999-5X	4:10 (41-10)	70/267	708149-2
47608	47609	76047-5X	4:10 (41-10)	60/248	707424-5
47608	47609	76047-5X	4:10 (41-10)	60/248	707430-3X
47608	47609	76047-5X	4:10 (41-10)	60/248	708124-3
47608	47609	76047-5X	4:10 (41-10)	60/248	708125-5
47683	47682	76086-5X	3:73 (41-11)	60/248	707424-2X
47683	47682	76086-5X	3:73 (41-11)	60/248	708125-1
47685	47684	76087-5X	4:09 (45-11)	60/248	707424-3X
47687	47686	76088-5X	3:55 (39-11)	60/248	707430-1X
47687	47686	76088-5X	3:55 (39-11)	60/248	708124-1
47687	47686	76088-5X	3:55 (39-11)	60/248	708125-6
47689	47688	76089-5X	3:73 (41-11)	60/248	707430-2X
47689	47688	76089-5X	3:73 (41-11)	60/248	708124-2
47689	47688	76089-5X	3:73 (41-11)	60/248	708125-4
47839	47841	76128-5X	4:30 (43-10)	80/286	707476-3X
47839	47841	80584-5	4:30 (43-10)	80/286	707476-8
47845	47846	76138-5X	4:88 (39-08)	80/286	707476-4X
47903	47902	76127-5X	3:73 (41-11)	50/229	-
47903	47902	76127-5X	3:73 (41-11)	50/229	707474-1X
47903	47902	76127-5X	3:73 (41-11)	50/229	708122-1
47907	47906	76136-5X	4:30 (43-10)	50/229	-
47907	47906	76136-5X	4:30 (43-10)	50/229	707474-3X
47907	47906	76136-5X	4:30 (43-10)	50/229	708122-3
47912	620108	76159-5X	4:10 (41-10)	60/248	707475-2X
47912	620108	76159-5X	4:10 (41-10)	60/248	708123-2



# RING GEAR AND PINION SETS

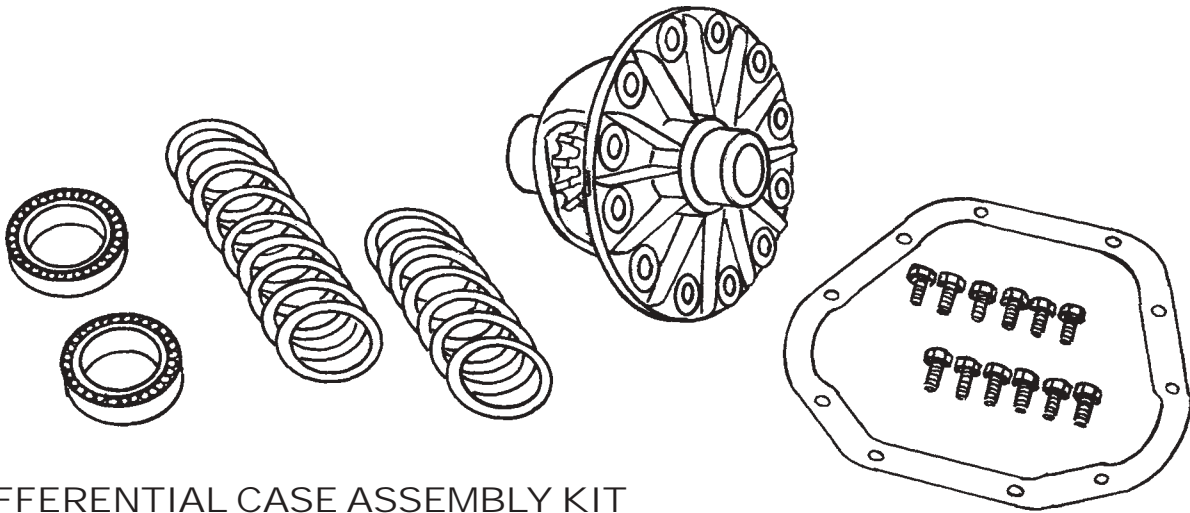
## Listed By Pinion Number

Pinion Number	Ring Gear Number	Gear Set & Pinion Nut Number	Ratio & Tooth Combination	Model	Ring Gear & Pinion Kit
47915	47914	76160-5X	4:30 (43-10)	60/248	707475-3X
47915	47914	76160-5X	4:30 (43-10)	60/248	708123-3
47919	47918	76161-5X	3:73 (41-11)	60/248	707475-1X
47919	47918	76161-5X	3:73 (41-11)	60/248	708123-1
47922	47921	76163-5X	4:88 (39-08)	60/248	707475-4X
47922	47921	76163-5X	4:88 (39-08)	60/248	708123-4
47926	47925	76164-5X	5:38 (43-08)	60/248	707475-5X
47926	47925	76164-5X	5:38 (43-08)	60/248	708123-5
48100	48101	76256-5X	3:73 (41-11)	80/286	707476-1X
48100	48101	80582-5	3:73 (41-11)	80/286	707476-6
48102	48103	76257-5X	4:10 (41-10)	80/286	707476-2X
48102	48103	80583-5	4:10 (41-10)	80/286	707361-12X
48102	48103	80583-5	4:10 (41-10)	80/286	707476-7
48104	48105	76258-5X	5:38 (43-08)	80/286	707476-5X
48393	48382	76385-5X	3:55 (39-11)	30/181	708132-2
48393	48382	76385-5X	3:55 (39-11)	Super 30/186	-
48393	48382	76385-5X	3:55 (39-11)	Super 30/186	707344-8X
48395	48386	76386-5X	3:73 (41-11)	Super 30/186	-
48395	48386	76386-5X	3:73 (41-11)	Super 30/186	707344-9X
48626	48625	76509-5X	4:56 (41-09)	70/267	707482-2X
48665	48144	76542-5X	3:73 (41-11)	Super 44/226	-
48737	48738	76568-5X	3:54 (46-13)	70/267	708015-4
48737	48738	76568-5X	3:54 (46-13)	70/267	708149-1
48737	78738	76568-5X	3:54 (46-13)	70/267	708015-1
49419	42465	80087-5	4:10 (41-10)	80/286	707361-11X
49606	37768	80176-5	3:73 (41-11)	30/181	708132-4
49612	49613	80177-5	3:91 (43-11)	Super 30/186	-
49625	49626	80186-5	3:91 (43-11)	Super 44/226	-
49815	49816	80299-5	3:55 (39-11)	Super 30/186	708098-2
49817	49818	80300-5	3:73 (41-11)	Super 30/186	708098-3
50076	50077	80417-5	4:56 (41-09)	70/267	708074-2
50080	50081	80418-5	4:10 (41-10)	70/267	708074-1
50546	50547	80649-5	3:73 (41-11)	80/286	707476-9
50546	50547	80649-5	3:73 (41-11)	80/286	708120-5
50550	50551	80650-5	4:10 (41-10)	80/286	707476-10
50550	50551	80650-5	4:10 (41-10)	80/286	708120-6
50554	50555	80651-5	4:30 (43-10)	80/286	707476-11
50554	50555	80651-5	4:30 (43-10)	80/286	708120-7
51007	51009	84002-5	4:88 (39-08)	80/286	707476-12
51007	51009	84002-5	4:88 (39-08)	80/286	708120-10
51011	51013	84003-5	5:38 (43-08)	80/286	707476-13
51011	51013	84003-5	5:38 (43-08)	80/286	708120-11
51015	48386	84004-5	3:73 (41-11)	Super 30/186	-
51019	48390	84006-5	4:10 (41-10)	Super 30/186	-
51021	51112	84032-5	3:55 (39-11)	Super 30/186	-
51055	51113	84033-5	3:73 (41-11)	Super 30/186	-
51171	51172	84055-5	4:10 (41-10)	70/267	708074-1
51171	51172	84055-5	4:10 (41-10)	70/267	708074-3

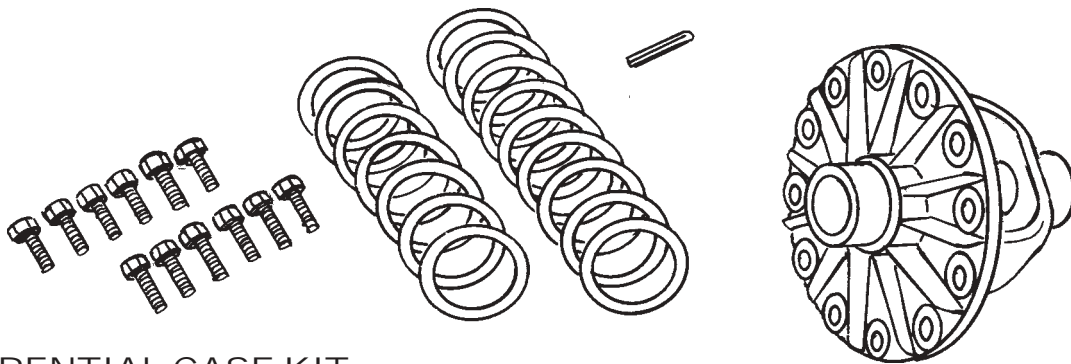
# RING GEAR AND PINION SETS

## Listed By Pinion Number

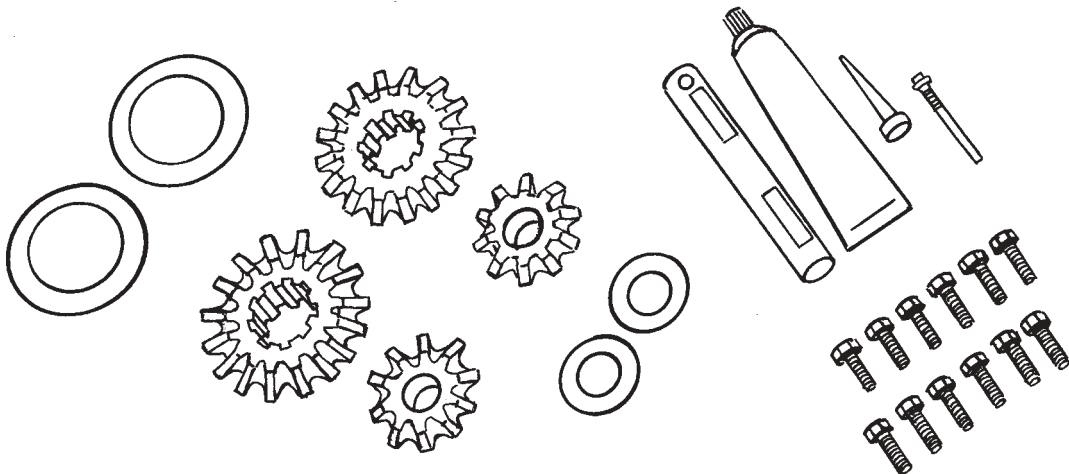
Pinion Number	Ring Gear Number	Gear Set & Pinion Nut Number	Ratio & Tooth Combination	Model	Ring Gear & Pinion Kit
51171	51172	84055-5	4:10 (41-10)	70/267	708127-1
51171	51172	84055-5	4:10 (41-10)	Super 70/273	84055-5
51176	51177	84057-5	4:56 (41-09)	70/267	708074-2
51176	51177	84057-5	4:56 (41-09)	70/267	708074-4
51176	51177	84057-5	4:56 (41-09)	70/267	708127-2
51176	51177	84057-5	4:56 (41-09)	Super 70/273	84057-5
51402	51403	84212-5	3:73 (41-11)	Super 44/226	-
51404	51405	84213-5	3:91 (43-11)	Super 44/226	-
51406	51407	84214-5	3:55 (39-11)	Super 35/198	-
51408	51409	84215-5	3:73 (41-11)	Super 35/198	-
52899	51208	84073-5	3:55 (39-11)	Super 44/226	-
52974	52975	84846-5	4:10 (41-10)	70/267	708126-3
53426	53427	85071-5	4:56 (41-09)	35/194	-
53463	53464	85072-5	4:56 (41-09)	30/181	708132-5
54157	51112	85407-5	3:55 (39-11)	Super 30/186	-
620001	620002	660002	3:00 (45-15)	44/216	707240-2X
620094	620095	660069-5	3:54 (46-13)	60/248	700020-1
620107	620108	660071	4:10 (41-10)	60/248	700020-2
620223	620224	660150-5	3:42 (41-12)	44/216	700025-3
620480	620481	660319-5	4:10 (41-10)	50/229 IFS	707239-2X
620480	620481	660319-5	4:10 (41-10)	50/229	-
620480	620481	660319-5	4:10 (41-10)	50/229	707474-2X
620480	620481	660319-5	4:10 (41-10)	50/229	708122-2
620510	620511	660231-5	3:54 (46-13)	50/229 IFS	707239-1X
620575	620576	660405	2:94 (47-16)	44/216	700025-7
620663	620664	660465-5	2:72 (49-18)	30/181	700128-2
620857	620858	660529-5	3:08 (40-13)	28/174 IFS	707080-1X
621057	621058	660593-5	3:45 (38-11)	28/174 IFS	707080-2X



DIFFERENTIAL CASE ASSEMBLY KIT



DIFFERENTIAL CASE KIT



DIFFERENTIAL INNER PARTS KIT

Case Assembly Kit	Case Assy.	Case Kit	Inner Parts Kit	Type	Spline Dia. & No. Teeth	Diff. Gear	For Ratios
<b>Model 28/174 IFS</b>							
706885X	71722X	706889X	706891X	Trac Lok	1.00 - 23	40382	3.54 & Up
706972X	72251X	706973X	706890X	Standard	1.00 - 23	40380	3.45 & Down
706974X	72252X	706975X	706890X	Standard	1.00 - 23	40380	3.54 & Up
707270X	76326X	707272X	706890X	Standard	1.00 - 23	40380	3.54 & Up
707271X	74533X	707273X	706890X	Standard	1.00 - 23	40380	3.45 & Down
<b>Model 30/181</b>							
-	72720X	706008X	707041X	Standard	1.18 - 27	33213	3.73 & Up
-	72721X	706007X	707041X	Standard	1.18 - 27	33213	3.54 & Down
-	85282	-	-	Hydra-Lok	1.18 - 27	51250/51248	3.73 & Up
2002913	73688X	706933X	2002914	Standard	1.18 - 27	33213	3.55 & Down
706001X <sup>(18)</sup>	27269X	706005X	706009X	Powr Lok	1.18 - 27	34007	3.54 & Down
706002X <sup>(18)</sup>	26421X	706006X	706009X	Powr Lok	1.18 - 27	34007	3.73 & Up
706003X	25105X	706007X	706010X	Standard	1.18 - 27	33213	3.54 & Down
706004X	23978X	706008X	706010X	Standard	1.18 - 27	33213	3.73 & Up
706819X	71472X	700130	706820X	Standard	1.18 - 27	620486	3.54 & Down
706830X <sup>(18)</sup>	71582X	706831X	706820X	Standard	1.18 - 27	620486	3.54 & Down
706931X <sup>(18)</sup>	71472X	706933X	706935X	Standard	1.18 - 27	620486	3.54 & Down
706932X <sup>(18)</sup>	71473X	706008X	706820X	Standard	1.18 - 27	620486	3.73 & Up
707158X	73688X	706933X	2002914	Standard	1.18 - 27	33213	3.55 & Down
707159X	73689X	706934X	2002914	Standard	1.18 - 27	33213	3.73 & Up
708100	80383	706007X	708102	Standard	1.18 - 27	48231	3.55 & Down
708101	80384	706008X	708102	Standard	1.18 - 27	48231	3.73 & Up
<b>Model Super 30/186</b>							
-	76739X	-	-	Hydra-Lok	1.18 - 27	48571	3.73 & Up
708115	80751	706114	708113	Standard	1.18 - 27	46502	3.73 & Up
708254	76010X	706007-1X	708113	Standard	1.18 - 27	46502	3.55
707158-1X	73688X	706007-1X	2002913	Standard	1.18 - 27	33213	3.55 & Down
707159-1X	73689X	706008-2X	2002913	Standard	1.18 - 27	33213	3.73 & Up
<b>Model 35/194</b>							
-	72939X	42147	707247X	Standard	1.18 - 27	42772	2.73 thru 3.31
-	73219X	42147	707247X	Standard	1.18 - 27	42772	2.73 thru 3.31
-	73417X	707168X	707167X	Standard	1.18 - 27	42772	3.54 & Up
- <sup>(19)</sup>	74033X	42147	707247X	Standard	1.18 - 27	43718	2.73 thru 3.31
-	75934X	47069	707436X	Standard	1.18 - 27	47559	3.54 & Up
-	75935X	47071	707436X	Standard	1.18 - 27	47559	2.73 thru 3.31
- <sup>(19)</sup>	74210X	43233	707349X	Trac Lok	1.18 - 27	43234	3.54 & Up
707169X	73417X	707168X	707167X	Standard	1.18 - 27	42772	3.08 & Up
707342X	75115X	707360X	707343X	Standard	1.18 - 27	46502	3.08 thru 3.73
707378X	75780X	707360X	707379X	Standard	1.18 - 27	46502	3.08 thru 4.10
707452X	76327X	707453X	707454X	Standard	1.18 - 27	46848	3.08 & Up
707492X <sup>(19)</sup>	76288X	48178	707321X	Standard	1.18 - 27	45786	3.54 & Up
707493X <sup>(19)</sup>	76292X	48206	707349X	Trac Lok	1.18 - 27	43234	3.54 & Up
708109 <sup>(19)</sup>	76288X	48178	707321X	Standard	1.18 - 27	45786	3.54 & Up
708110 <sup>(19)</sup>	76292X	708137	707349X	Trac Lok	1.18 - 27	43234	3.54 & Up
708138 <sup>(19)</sup>	80325	708139	707349X	Trac Lok	1.18 - 27	43234	2.73 thru 3.31
708141 <sup>(19)</sup>	80323	49880	707321X	Standard	1.18 - 27	55544	2.73 thru 3.31

Continued on next page

<sup>(18)</sup> If spacer is required, order one 500595-17 roll pin and two 30482 spacers.

<sup>(19)</sup> In this kit the side gear is machined for "C" clip clearance.

Case Assembly Kit	Case Assy.	Case Kit	Inner Parts Kit	Type	Spline Dia. & No. Teeth	Diff. Gear	For Ratios
<b>Model 35/194 (Continued)</b>							
708183 <sup>(19)</sup>	84761	708185	708184	Trac Lok	1.18 - 27	53229	3.54 & Up
74209X <sup>(19)</sup>	74054X	43218	707247X	Standard	1.18 - 27	43718	3.54 & Up
74210X <sup>(19)</sup>	73630X	707243X	707349X	Trac Lok	1.18 - 27	43234	3.54 & Up
74211X <sup>(19)</sup>	73625X	43218	707247X	Standard	1.18 - 27	43718	3.54 & Up
74214X <sup>(19)</sup>	74055X	43219	707247X	Standard	1.18 - 27	43718	2.73 thru 3.31
74215X <sup>(19)</sup>	73631X	707242X	707173X	Trac Lok	1.18 - 27	43234	2.73 thru 3.31
75053X <sup>(19)</sup>	75041X	44649	707321X	Standard	1.18 - 27	45786	2.73 thru 3.31
75054X <sup>(19)</sup>	75028X	44590	707321X	Standard	1.18 - 27	45786	3.54 & Up
80880 <sup>(19)</sup>	80322	708142	707321X	Standard	1.18 - 27	45786	3.54 & Up
<b>Model 36/200 ICA</b>							
-	74224X	707015X	707226X	Trac Lok	1.18 - 27	44038	2.73 & Down
-	74230X	707016X	707226X	Trac Lok	1.18 - 27	44058	3.07 thru 3.54
706871X	71610X	706873X	706875X	Trac Lok	1.18 - 27	40276	2.73 & Down
706872X	71611X	706874X	706875X	Trac Lok	1.18 - 27	40276	3.07 thru 3.54
72836X	74230X	707016X	707226X	Trac Lok	1.18 - 27	44038	3.07 thru 3.54
<b>Model 44/216</b>							
-	84336	NSS	NSS	Trac Lok	1.31 - 30	-	4.10
-	84650	NSS	NSS	Air Locker	1.31 - 30	-	4.10
706020X	25808X	706024X	706027X	Standard	1.31 - 30	31487	3.73 & Down
706021X	25806X	706025X	706027X	Standard	1.31 - 30	31487	3.92 & Up
706857X <sup>(20) (21)</sup>	71559X	706858X	706859X	Standard	1.31 - 30	40194	3.73 & Down
707021-1X	75323X	706024X	707025-1X	Standard	1.31 - 30	45870	3.73 & Down
707021X	72464X	707023X	707025X	Standard	1.31 - 30	40194	3.73 & Down
707022-1X	75324X	707024X	707025-1X	Standard	1.31 - 30	45870	3.92 & Up
707022X	72470X	707024X	707025X	Standard	1.31 - 30	40194	3.92 & Up
707045X	72905X	706024X	707047X	Standard	1.31 - 30	42241	3.73 & Down
707046X	72906X	706025X	707047X	Standard	1.31 - 30	42241	3.92 & Up
707115X	73611X	707116X	706026X	Trac Lok	1.31 - 30	35657	4.10 & Down
707132X	73612X	707133X	707134X	Trac Lok	1.31 - 30	41192	3.73 & Down
707150X	73548X	707151X	706026X	Trac Lok	1.31 - 30	35657	3.92 & Up
707155X	73896X	707156X	707134X	Trac Lok	1.31 - 30	41192	3.92 & Up
707382X	74383X	43771	707384X	Standard	1.31 - 30	44270	3.73 & Down
707383X	74385X	43775	707385X	Trac Lok	1.31 - 30	44271	3.73 & Down
708107	84097	51256	707384X	Standard	1.31 - 30	44270	3.31 thru 4.11
708108	84098	51257	707385X	Trac Lok	1.31 - 30	44271	3.31 thru 4.11
708216	85710	708217	707025-1X	Standard	1.31 - 30	2001900	3.73 & Down
708218	85711	708219	708204	Trac Lok	1.31 - 30	2001901	3.73 & Down
<b>Model 44/216 ICA</b>							
-	72400X	41210	707000X	Trac Lok	1.31 - 30	41573	2.87 & Down
-	72405X	41232	707000X	Trac Lok	1.31 - 30	41573	3.07 thru 3.73
-	74229X	41232	707225X	Trac Lok	1.31 - 30	44008	3.07 thru 3.73
-	74705X	41232	-	Trac Lok	1.31 - 30	44008	3.07 thru 3.73
-	75499X	41232	-	Trac Lok	1.31 - 30	46618	3.07 thru 3.73
-	80740	50734	-	Trac Lok	1.31 - 30	46618	3.07 thru 4.10
706752X	70988X	706753X	706754X	Trac Lok	1.31 - 30	39594	3.73 & Down

<sup>(19)</sup> In this kit the side gear is machined for "C" clip clearance.

<sup>(20)</sup> Jeep Disconnect

<sup>(21)</sup> Differential case has unequal inside journal diameters. (1.337" on disconnect side vs. 1.318" on non-disconnect side)



Case Assembly Kit	Case Assy.	Case Kit	Inner Parts Kit	Type	Spline Dia. & No. Teeth	Diff. Gear	For Ratios
<b>Model 44/216 IFS</b>							
706921X	71966X	706923X	706925X	Standard	1.31 - 30	40194	3.73 & Down
706945X	71731X	706947X	706925X	Standard	1.31 - 30	40194	3.92 & Up
707147X <sup>(19)</sup>	73613X	707148X	706926X	Trac Lok	1.31 - 30	40436	3.73 & Down
707199X <sup>(19)</sup>	73854X	707193X	706926X	Trac Lok	1.31 - 30	40436	3.92 & Up
707461X	76328X	706923X	706925X	Standard	1.31 - 30	40194	3.73 & Down
<b>Model Super 44/226</b>							
- <sup>(25)</sup>	76740X	NSS	NSS	Hydra-Lok	1.31 - 30	49028	3.31 thru 3.91
- <sup>(26)</sup>	84084	NSS	NSS	Hydra-Lok	1.31 - 30	49028	3.31 thru 3.91
<b>Model 50/229</b>							
706918X	71737X	706917X	706916X	Standard	1.31 - 30	40432	3.54 thru 4.30
707459X	76330X	706917X	706916X	Standard	1.31 - 30	40432	3.54 thru 4.30
<b>Model 60/248 61</b>							
706840X <sup>(19)</sup>	71597X	706842X	706844X	Standard	1.50 - 35	39232	4.10 & Down
706841X <sup>(19)</sup>	71598X	706843X	707095X	Trac Lok	1.50 - 35	39256	4.10 & Down
707097X	73493X	706039X	707084X	Trac Lok	1.31 - 30	35803	- <sup>(27)</sup>
<b>Model 60/248</b>							
706034-2X	27168-2X	706038X	706131X	Trac Lok	1.31 - 16	35829	4.10 & Down
706035-4X	27166-4X	706039X	706460X	Trac Lok	1.50 - 35	35830	4.56 & Up
706036X	26188X	706040X	706043X	Standard	1.31 - 30	34394	4.10 & Down
706037X	26258X	706041X	706043X	Standard	1.31 - 30	34394	4.56 & Up
706129X	26251X	706040X	706130X	Standard	1.31 - 16	34365	4.10 & Down
706132X	26248X	706041X	706130X	Standard	1.31 - 16	34365	4.56 & Up
706180X <sup>(22)</sup>	26933X	706040X	706181X	Standard	1.50 - 35	35625	4.10 & Down
706182X <sup>(22)</sup>	26931X	706041X	706181X	Standard	1.50 - 35	35625	4.56 & Up
706323X	27129X	706175X	706324X	Powr Lok	1.50 - 35	35294	4.56 & Up
706665X	26258X	706669X	706671X	Standard	1.31 - 30	34394	4.56 & Up
706703X <sup>(22)</sup>	26933X	706668X	706702X	Standard	1.50 - 35	35625	4.10 & Down
707090-4X	73494-4X	707123X	707086X	Trac Lok	1.50 - 35	35830	4.10 & Down
707090X	73494X	707123X	707084X	Trac Lok	1.31 - 30	35803	4.10 & Down
707096X <sup>(19)</sup>	73495X	706843X	707095X	Trac Lok	1.50 - 35	39256	4.10 & Down
707097-4X	73493-4X	706039X	707086X	Trac Lok	1.50 - 35	35830	4.56 & Up
707120X <sup>(23)</sup>	72681X	707121X	706043X	Standard	1.31 - 30	34394	4.10 & Down
707135X <sup>(19)(24)</sup>	73271X	707136X	706844X	Standard	1.50 - 35	39232	4.10 & Down
707137X <sup>(24)</sup>	73273X	707138X	706043X	Standard	1.31 - 30	34394	4.10 & Down
707143X <sup>(23)(24)</sup>	73724X	707144X	707084X	Trac Lok	1.31 - 30	35803	4.10 & Down
707163X <sup>(19)(23)(24)</sup>	73797X	707164X	707095X	Trac Lok	1.50 - 35	39256	4.10 & Down
707174X <sup>(23)</sup>	73970X	707175X	706043X	Standard	1.31 - 30	34394	4.56 & Up
707211-1X <sup>(19)(23)(24)</sup>	73796X	707212-1X	706844X	Standard	1.50 - 35	39232	4.10 & Down
707211X <sup>(19)(23)(24)</sup>	73796X	707212X	706844X	Standard	1.50 - 35	39232	4.10 & Down
707213X <sup>(23)(24)</sup>	73784X	707214X	706043X	Standard	1.31 - 30	34394	4.10 & Down

Continued on next page

<sup>(19)</sup> In this kit the side gear is machined for "C" clip clearance.

<sup>(22)</sup> Heavy Duty Case

<sup>(23)</sup> Anti-lock ring provision.

<sup>(24)</sup> Outboard bearing spacers, part number 42563(width=.120", O.D.=3.015").

<sup>(25)</sup> Uses 3/8" Ring Bolts

<sup>(26)</sup> Uses 7/16" Ring Bolts

<sup>(27)</sup> The ratio break when used in Model 60/248 is 4.56 & up. When used in Model 61 it is 4.10 & down.

Case Assembly Kit	Case Assy.	Case Kit	Inner Parts Kit	Type	Spline Dia. & No. Teeth	Diff. Gear	For Ratios
<b>Model 60/248 (Continued)</b>							
707339-1X	75325X	706040X	707340-1X	Standard	1.31 - 30	46355	4.10 & Down
707339X	75141X	706040X	707340X	Standard	1.31 - 30	34394	4.10 & Down
707380X	75591X	706669X	707340-1X	Standard	1.31 - 30	46355	4.56 & Up
707387-1X	74950X	707214-1X	707389X	Standard	1.37 - 32	45744	4.10 & Down
707387X	74950X	707214X	707389X	Standard	1.37 - 32	45744	4.10 & Down
707388X <sup>(19)(23)</sup>	74951X	707144X	707390X	Trac Lok	1.37 - 32	45745	4.10 & Down
707427X <sup>(19)(23)</sup>	75916X	707428X	707435X	Trac Lok	1.50 - 35	55652	4.10 & Down
707432X <sup>(23)</sup>	75915X	707144X	707434X	Trac Lok	1.37 - 32	45745	4.10 & Down
707449X <sup>(23)</sup>	75914X	707144X	707084-1X	Trac Lok	1.31 - 30	35803	4.10 & Down
707460X	76329X	706040X	706181X	Standard	1.50 - 35	35625	4.10 & Down
708010 <sup>(23)</sup>	80139	708011	706043X	Standard	1.31 - 30	34394	4.10 & Down
708013 <sup>(23)</sup>	80140	708014	707084X	Trac Lok	1.31 - 30	35803	4.10 & Down
708048	80124	706040X	708049	Standard	1.37 - 32	49482	4.10 & Down
708048-1	80415	706041X	708049	Standard	1.37 - 32	49482	4.56 & Up
<b>Model 61</b>							
706399X	28348X	706400X	706043X	Standard	1.31 - 30	34394	3.33 & Up
707072X	73181X	706400X	706181X	Standard	1.50 - 35	35625	3.33 & Up
<b>Model 70-2U</b>							
707276X <sup>(23)</sup>	74658X	707216X	707252X	Standard	1.37 - 32	43913	4.10 & Down
707312X	74797X	707216X	707313X	Standard	1.37 - 32	43913	4.10 & Down
<b>Model 70-2UA</b>							
707130X <sup>(23)</sup>	73648X	707131X	707074X	Powr Lok	1.50 - 35	35294	4.10 & Down
<b>Model 70/267</b>							
-	28284X	706084X	-	No Spin	1.50 - 35	35683	4.56 & Up
-	28286X	706083X	-	No Spin	1.50 - 35	35683	4.10 & Down
- <sup>(36)</sup>	43911	-	-	No Spin	1.50 - 35	-	4.56 & Up
- <sup>(31)</sup>	44042	-	-	No Spin	1.50 - 35	-	4.56 & Up
- <sup>(36)</sup>	44200	-	-	No Spin	1.37 - 32	-	4.56 & Up
-	70716X	706185X	-	No Spin	1.50 - 35	35683	4.10 & Down
706049X <sup>(28)(29)</sup>	26035X	706053X	706057X	Powr Lok	1.50 - 35	35294	4.10 & Down
706050X <sup>(28)(29)</sup>	26703X	706054X	706057X	Powr Lok	1.50 - 35	35294	4.56 & Up
706051X <sup>(28)(29)</sup>	26311X	706055X	706058X	Standard	1.50 - 35	35079	4.10 & Down
706052X <sup>(28)(29)</sup>	26308X	706056X	706058X	Standard	1.50 - 35	35079	4.56 & Up
706062X <sup>(30)(31)</sup>	26801X	707029X	706057X	Powr Lok	1.50 - 35	35294	4.10 & Down
706063X <sup>(30)(31)</sup>	26701X	706067X	706057X	Powr Lok	1.50 - 35	35294	4.56 & Up
706064X <sup>(30)(31)</sup>	28156X	706068X	706058X	Standard	1.50 - 35	35079	4.10 & Down
706065X <sup>(30)(31)</sup>	28158X	706069X	706058X	Standard	1.50 - 35	35079	4.56 & Up
706081X <sup>(28)</sup>	26033X	706083X	706085X	Standard	1.50 - 35	34794	4.10 & Down
706082X <sup>(28)(29)</sup>	26025X	706084X	706085X	Standard	1.50 - 35	34794	4.56 & Up
706097X <sup>(30)(31)</sup>	25956X	706098X	706085X	Standard	1.50 - 35	34794	4.56 & Up
706186X <sup>(30)(31)</sup>	26798X	706185X	706085X	Standard	1.50 - 35	34794	4.10 & Down

<sup>(19)</sup> In this kit the side gear is machined for "C" clip clearance.

<sup>(23)</sup> Anti-lock ring provision.

<sup>(28)</sup> This case has a 1/2" offset.

<sup>(29)</sup> 70B

<sup>(30)</sup> This case has a 5/8" offset.

<sup>(31)</sup> 70HD

<sup>(36)</sup> 70-2U

Case Assembly Kit	Case Assy.	Case Kit	Inner Parts Kit	Type	Spline Dia. & No. Teeth	Diff. Gear	For Ratios
<b>Model 70/267 (Continued)</b>							
706197X <sup>(28)(29)</sup>	27716X	706055X	706202X	Standard	1.50 - 23	36353	4.10 & Down
706198X <sup>(28)(29)</sup>	27717X	706056X	706202X	Standard	1.50 - 23	36353	4.56 & Up
706312X <sup>(28)(29)(32)</sup>	26703X	706313X	706057X	Powr Lok	1.50 - 35	35294	4.56 & Up
706412X <sup>(30)(31)(32)</sup>	28990X	28991X	706057X	Powr Lok	1.50 - 35	35294	4.10 & Down
706413X <sup>(30)(31)(32)</sup>	27898X	706470X	706057X	Powr Lok	1.50 - 35	35294	4.56 & Up
706709X <sup>(30)(31)</sup>	28156X	706710X	706058X	Standard	1.50 - 35	35079	4.10 & Down
706729X <sup>(30)(31)</sup>	26701X	706730X	706057X	Powr Lok	1.50 - 35	35294	4.56 & Up
706906X <sup>(30)(31)</sup>	28156X	706908X	706910X	Standard	1.50 - 35	35079	4.10 & Down
706907X <sup>(30)(31)</sup>	28158X	706909X	706910X	Standard	1.50 - 35	35079	4.56 & Up
706950X <sup>(28)(29)</sup>	26311X	706055X	706910X	Standard	1.50 - 35	35079	4.10 & Down
706951X <sup>(28)(29)</sup>	26308X	706953X	706910X	Standard	1.50 - 35	35079	4.56 & Up
707026X <sup>(28)(33)</sup>	72697X	707027X	706057X	Powr Lok	1.50 - 35	35294	4.10 & Down
707028X <sup>(30)(31)</sup>	72699X	707029X	706057X	Powr Lok	1.50 - 35	35294	4.10 & Down
707054X <sup>(34)(35)</sup>	73031X	707056X	706058X	Standard	1.50 - 35	35079	3.73 & Up
707073X <sup>(28)(36)</sup>	73239X	707027X	707074X	Powr Lok	1.50 - 35	35294	4.10 & Down
707088X <sup>(30)(31)</sup>	73551X	707029X	707074X	Powr Lok	1.50 - 35	35294	4.10 & Down
707118X <sup>(30)(31)</sup>	73728X	706909X	707119X	Standard	1.50 - 35	35079	4.56 & Up
707124X <sup>(28)(23)(36)</sup>	72685X	707125X	706058X	Standard	1.50 - 35	35079	4.56 & Up
707126X <sup>(28)(23)(36)</sup>	73489X	707127X	707074X	Powr Lok	1.50 - 35	35294	4.56 & Up
707128X <sup>(28)(23)(36)</sup>	73488X	707129X	706058X	Standard	1.50 - 35	35079	4.10 & Down
707139X <sup>(28)(36)</sup>	73274X	707140X	706058X	Standard	1.50 - 35	35079	4.10 & Down
707145X <sup>(28)(36)</sup>	73722X	707146X	707074X	Powr Lok	1.50 - 35	35294	4.10 & Down
707176X <sup>(28)(36)</sup>	73926X	707177X	706058X	Standard	1.50 - 35	35079	4.56 & Up
707186X <sup>(22)(23)(31)</sup>	74106X	707187X	706058X	Standard	1.50 - 35	35079	4.10 & Down
707189X <sup>(23)(30)(31)</sup>	73551X	707188X	707074X	Powr Lok	1.50 - 35	35294	4.10 & Down
707215X <sup>(23)(28)(36)</sup>	73778X	707216X	706058X	Standard	1.50 - 35	35079	4.10 & Down
707227X <sup>(30)(31)</sup>	74242X	706068X	707119X	Standard	1.50 - 35	35079	4.10 & Down
707241X <sup>(23)(28)(36)</sup>	74322X	707216X	707119X	Standard	1.50 - 35	35079	4.10 & Down
707251X <sup>(23)(28)(36)</sup>	74325X	707129X	707252X	Standard	1.37 - 32	43913	4.10 & Down
707253X <sup>(23)(28)(36)</sup>	74326X	707131X	707254X	Powr Lok	1.37 - 32	43914	4.10 & Down
707255X <sup>(23)(28)(36)</sup>	74334X	707125X	707252X	Standard	1.37 - 32	43913	4.56 & Up
707256X <sup>(23)(28)(36)</sup>	74343X	707127X	707254X	Powr Lok	1.37 - 32	43914	4.56 & Up
707276-1X <sup>(23)</sup>	74658X	707216-1X	707252X	Standard	1.37 - 32	43913	4.10 & Down
707277-1X	74624X	707146-1X	707254X	Powr Lok	1.37 - 32	43914	4.10 & Down
707277X	74624X	707146X	707254X	Powr Lok	1.37 - 32	43914	4.10 & Down
707483X	76511X	707484X	706058X	Standard	1.50 - 35	35079	4.56 & Down
708016 <sup>(23)(28)(36)</sup>	80141	708017	707252X	Standard	1.37 - 32	43913	4.10 & Down
708018 <sup>(23)(28)(36)</sup>	80142	708019	707254X	Powr Lok	1.37 - 32	43914	4.10 & Down
708022 <sup>(23)(28)(36)</sup>	80189	708023	707252X	Standard	1.37 - 32	43913	4.56 & Up
708024 <sup>(23)(28)(36)</sup>	80190	708025	707254X	Powr Lok	1.37 - 32	43914	4.56 & Up
708075-1	80590	708076-1	708077	Standard	1.50 - 35	35079	4.56 & Down

<sup>(22)</sup> Heavy Duty Case

<sup>(23)</sup> Anti-lock ring provision.

<sup>(28)</sup> This case has a 1/2" offset.

<sup>(29)</sup> 70B

<sup>(30)</sup> This case has a 5/8" offset.

<sup>(31)</sup> 70HD

<sup>(32)</sup> Industrial case with cone washers (31534) under case 1/2 bolts (30836-1)

<sup>(33)</sup> 70B,70U

<sup>(34)</sup> 70-2HD

<sup>(35)</sup> This case has a 31/32" offset.

<sup>(36)</sup> 70-2U

Case Assembly Kit	Case Assy.	Case Kit	Inner Parts Kit	Type	Spline Dia. & No. Teeth	Diff. Gear	For Ratios
<b>Model 80/286</b>							
708080-1	80222	708081-1	708051	Trac Lok	1.50 - 35	47796	4.56 & Down
- <sup>(23)</sup>	74220X	708028	707185X	Standard	1.60 - 37	43652	3.73 & Down
707061X	73165X	707062X	707063X	Standard	1.50 - 35	42411	4.10 & Up
707184X	73955X	707062X	707185X	Standard	1.60 - 37	43652	4.10 & Up
707218X <sup>(23)</sup>	-	707219X	707185X	Standard	1.60 - 37	43652	3.73 & Down
707220X <sup>(23)</sup>	73354X	707219X	707063X	Standard	1.50 - 35	42411	3.73 & Down
707232X <sup>(23)</sup>	74244X	707230X	707185X	Standard	1.60 - 37	43652	4.10 & Up
707281X	74682X	707062X	707280X	Standard	1.60 - 37	44844	4.10 & Up
707326X <sup>(23)</sup>	74839X	707219X	707063X	Standard	1.50 - 35	42411	3.73 & Down
707330X <sup>(23)</sup>	74846X	707230X	707063X	Standard	1.50 - 35	42411	4.10 & Up
707356X <sup>(23)(37)</sup>	75352X	707333X	707358X	Powr Lok	1.50 - 35	46394	3.73 & Down
707357X <sup>(23)(38)</sup>	75353X	707334X	707358X	Powr Lok	1.50 - 35	46394	4.10 & Up
707362X	74682X	707363X	707280X	Standard	1.60 - 37	44844	4.10 & Up
707394X <sup>(23)</sup>	74244X	707395X	707185X	Standard	1.60 - 37	43652	4.10 & Up
707396X <sup>(23)</sup>	Dyneer	Dyneer	Dyneer	Dyneer	1.60 - 37	Dyneer	4.10 & Up
707477X <sup>(23)</sup>	76121X	708053	708051	Trac Lok	1.50 - 35	47796	4.10 & Up
708003 <sup>(23)</sup>	80013	708055	708051	Trac Lok	1.50 - 35	47796	3.73 & Down
708027 <sup>(23)</sup>	74839X	708028	707063X	Standard	1.50 - 35	42411	3.73 & Down
708029 <sup>(23)(37)</sup>	75352X	707333X	707358X	Powr Lok	1.50 - 35	46394	3.73 & Down
708031 <sup>(23)</sup>	74846X	708032	707063X	Standard	1.50 - 35	42411	4.10 & Up
708033 <sup>(23)(38)</sup>	75353X	708034	707358X	Powr Lok	1.50 - 35	46394	4.10 & Up
708052 <sup>(23)</sup>	76121X	708053	708051	Trac Lok	1.50 - 35	47796	4.10 & Up
708054 <sup>(23)</sup>	80013	708055	708051	Trac Lok	1.50 - 35	47796	3.73 & Down
708097	Dyneer	Dyneer	Dyneer	Dyneer	1.60 - 37	Dyneer	4.10 & Up
708170	84454	708053	708232	Trac Lok	1.50 - 35	52139	4.10 & Up
2003548	2002339	708053	2003857	Trac Lok	1.50 - 35	52139	4.10 & Up

<sup>(23)</sup> Anti-lock ring provision.

<sup>(37)</sup> Can be replaced by Trac Lok 708054

<sup>(38)</sup> Can be replaced by Trac Lok 708052

# MODEL 61/ 248

## General Information Chart

### Semi Float Models 61-1 and 61-2

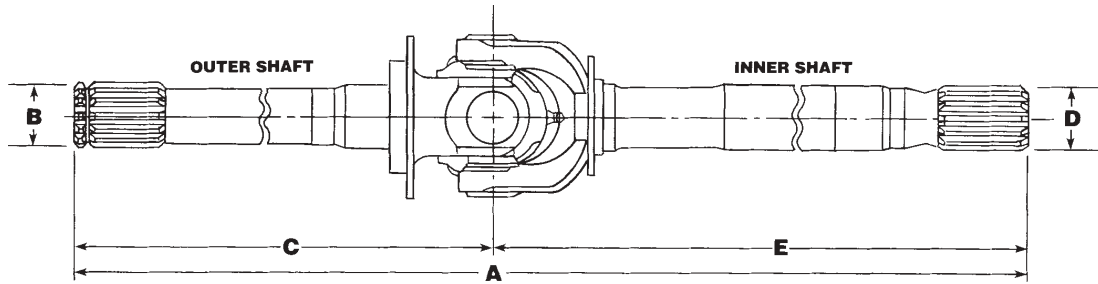
Ratio	Axle Model	Gear Set	Ring & Pinion Kit	Differential Case Assembly	Differential Case Assembly Kit
<b>STANDARD DIFFERENTIAL (With Axle Shaft Retainer)</b>					
3.00	61-2	71196X	706808-2X	71597X	706840X
3.07	61-2	70870X	706808-3X	71597X	706840X
<b>LIMITED SLIP DIFFERENTIAL (With Axle Shaft Retainer)</b>					
3.00	61-2	71196X	706808-2X	71598X	706841X
3.07	61-2	70870X	706808-3X	71598X	706841X

### Full Float Models 61-1 and 61-2

Ratio	Axle Model	Gear Set	Ring & Pinion Kit	Differential Case Assembly	Differential Case Assembly Kit
<b>STANDARD DIFFERENTIAL</b>					
3.07	61-2	28298X	706396-2X	26188X	706036X
3.07	61-1	29716X	706396-5X	26188X	706036X
3.31	61-2	28305X	706396-1X	26188X	706036X
3.54	61-1, -2	24813X	706033-1X	28348X	706399X
3.73	61-1, -2	25538X	706033-2X	28348X	706399X
4.10	61-1, -2	28407X	706033-3X	28348X	706399X
4.56	61-1, -2	70907X	706661-8X	28348X	706399X
<b>LIMITED SLIP DIFFERENTIAL</b>					
3.07	61-2	28298X	706396-2X	27168X	706034X
3.07	61-1	29716X	706396-5X	27168X	706034X
3.31	61-2	28305X	706396-1X	27168X	706034X
3.31	61-1	29717X	706396-6X	27168X	706034X
3.54	61-1	70637X	706661-6X	27166X	706035X
3.73	61-1	29420X	706396-4X	27166X	706035X
4.10	61-1	70908X	706661-9X	27166X	706035X



Listed By Complete Assembly Number



Axle Shaft Assy		Outer Shaft Spindle End			Inner Shaft Side Gear		
Complete Assembly Number	Overall Length	Length	Yoke Shaft Part Number	Slinger	Length	Yoke Shaft Part Number	Slinger
	A	C			E		
<b>2002694</b>	<b>USES U-JOINT KIT 5-806X/SPL55-3X</b>			<b>B = 1.31 - 30</b>	<b>D = 1.50 - 35</b>		
-1	46.93	9.31	2002692	54520	37.62	76151-1X	50381
-2	24.70	9.31	2002692	54520	15.39	76151-2X	50381
-3	47.90	9.31	2002692	54520	38.59	76151-3X	50381
-4	25.67	9.31	2002692	54520	16.36	76151-4X	50381
<b>202541</b>	<b>USES U-JOINT KIT 5-74X</b>			<b>B = 1.12 - 10</b>	<b>D = 1.25 - 19</b>		
<b>202616</b>	<b>USES U-JOINT KIT 5-74X</b>			<b>B = 1.12 - 10</b>	<b>D = 1.12 - 10</b>		
-1	21.59	8.22	2-82-161	-	13.37	27777-1X	-
-2	34.47	8.22	2-82-161	-	26.25	27777-2X	-
-3	24.84	8.22	2-82-161	-	16.62	27777-3X	-
-4	39.97	8.22	2-82-161	-	31.91	27777-4X	-
-11	40.75	8.22	2-82-161	-	32.53	27777-5X	-
-12	24.12	8.22	2-82-161	-	15.90	27777-6X	-
-14	43.84	8.22	2-82-161	-	35.62	27777-10X	-
-17	22.20	8.22	2-82-161	-	13.97	27777-7X	-
-18	34.83	8.22	2-82-161	-	26.61	27777-8X	-
<b>202819</b>	<b>USES U-JOINT KIT 5-74X</b>			<b>B = 1.25 - 19</b>	<b>D = 1.25 - 19</b>		
-4	44.22	8.62	2-82-181	-	36.00	27659-2X	-
-5	27.31	8.62	2-82-181	-	18.69	27659-3X	-
<b>203541</b>	<b>USES U-JOINT KIT 5-74X</b>			<b>B = 1.12 - 10</b>	<b>D = 1.25 - 19</b>		
-1	27.56	8.22	2-82-161	-	19.34	27660-1X	-
-2	43.56	8.22	2-82-161	-	35.34	27660-2X	-
-4	39.31	8.22	2-82-161	-	31.09	27660-4X	-
-10	26.22	8.22	2-82-161	-	18.00	27660-5X	-
-11	44.62	8.22	2-82-161	-	36.00	27660-6X	-
<b>205052</b>	<b>USES U-JOINT KIT 5-74X</b>			<b>B = 1.25 - 19</b>	<b>D = 1.25 - 19</b>		
-1	44.97	9.53	660118-1	-	35.44	27659-8X	-
-2	27.84	9.53	660118-1	-	18.31	27659-6X	-
<b>206032</b>	<b>USES U-JOINT KIT 5-74X</b>			<b>B = 1.25 - 19</b>	<b>D = 1.31 - 30</b>		
-1	27.53	9.53	660118-1	-	18.00	27656-1X	-
-2	45.16	9.53	660118-1	-	35.62	27656-2X	-
-3	44.47	9.53	660118-1	-	34.94	27656-9X	-
-4	28.34	9.53	660118-1	-	18.81	27656-10X	-
-5	27.30	9.53	660118-1	-	17.76	27656-5X	-
-6	45.53	9.53	660118-1	-	36.00	27656-6X	-
-8	46.50	9.53	660118-1	-	36.97	27656-8X	-

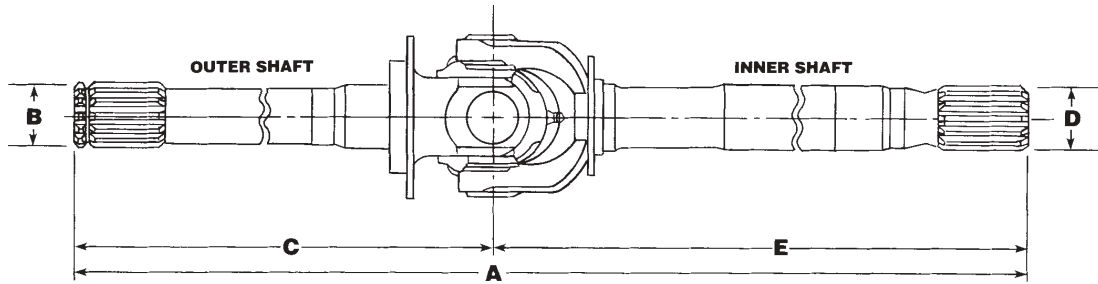
# FRONT AXLE SHAFTS

## Dimensions & Components

Axle Shaft Assy		Outer Shaft Spindle End			Inner Shaft Side Gear		
Complete Assembly Number	Overall Length	Length	Yoke Shaft Part Number	Slinger	Length	Yoke Shaft Part Number	Slinger
	A	C			E		
<b>20623</b>	<b>USES U-JOINT KIT 5-74X</b>		<b>B = 1.12 - 10</b>	<b>D = 1.12 - 10</b>			
-1X	34.47	8.22	2-82-161	-	26.25	27777-2X	-
-2X	21.59	8.22	2-82-161	-	13.37	27777-1X	-
-3X	39.97	8.22	2-82-161	-	31.97	27777-4X	-
-5X	40.75	8.22	2-82-161	-	32.53	27777-5X	-
-6X	24.12	8.22	2-82-161	-	15.91	27777-6X	-
-9X	34.83	8.22	2-82-161	-	26.61	27777-8X	-
-10X	22.20	8.22	2-82-161	-	13.97	27777-7X	-
<b>207490</b>	<b>USES U-JOINT KIT 5-86X</b>		<b>B = 1.25 - 19</b>	<b>D = 1.31 - 30</b>			
-1	28.06	10.06	3-82-411	-	18.00	660178-1	-
-2	45.69	10.06	2-82-411	-	35.62	660178-2	-
-3	45.00	10.06	3-82-411	-	34.94	660178-3	-
-4	28.87	10.06	3-82-411	-	18.81	660178-4	-
<b>209502</b>	<b>USES U-JOINT KIT 21443X</b>		<b>B = 1.37 - 21</b>	<b>D = 1.50 - 23</b>			
-1	29.16	11.05	209522-9	-	18.12	3-93-2311-1	-
<b>27552</b>	<b>USES U-JOINT KIT 5-260X</b>		<b>B = 1.25 - 19</b>	<b>D = 1.31 - 30</b>			
-3X	28.03	9.72	36335	35975	18.31	27553-5X	35168
-4X	46.50	9.72	36335	35975	36.78	27553-6X	35168
-5X	27.47	9.72	36335	35975	17.76	27553-3X	35168
-6X	45.72	9.72	36335	35975	36.00	27553-15X	35168
<b>27607</b>	<b>USES U-JOINT KIT 5-260X</b>		<b>B = 1.25 - 19</b>	<b>D = 1.31 - 30</b>			
-1X	26.56	8.80	36281	35975	17.76	27553-3X	35168
-2X	45.06	8.80	36281	35975	36.25	27553-4X	35168
-3X	25.11	8.80	36281	35975	16.31	27553-16X	35168
-4X	31.11	8.80	36281	35975	22.31	27553-17X	35168
-5X	44.80	8.80	36281	35975	36.00	27553-15X	35168
<b>27731</b>	<b>USES U-JOINT KIT 5-760X</b>		<b>B = 1.25 - 19</b>	<b>D = 1.31 - 30</b>			
-1X	28.28	9.92	36363	36364	18.50	27902-1X	-
-2X	46.05	9.92	36363	36364	36.12	27902-2X	-
-7X	24.61	9.92	36363	36364	14.69	27902-19X	-
-8X	43.11	9.92	36363	36364	33.19	27902-20X	-
-9X	26.56	9.92	36363	36364	16.62	27902-21X	-
-10X	45.19	9.92	36363	36364	35.25	27902-22X	-
<b>27749</b>	<b>USES U-JOINT KIT 5-260X</b>		<b>B = 1.16 - 27</b>	<b>D = 1.31 - 30</b>			
-1X	23.50	8.72	2-82-1371	35975	14.78	27553-12X	35168
-2X	41.62	8.72	2-82-1371	35975	32.91	27553-13X	35168
<b>27984</b>	<b>USES U-JOINT KIT 5-74X</b>		<b>B = 1.16 - 27</b>	<b>D = 1.16 - 27</b>			
-1X	40.75	8.22	2-82-1391	-	32.53	27658-1X	-
-2X	24.12	8.22	2-82-1391	-	15.91	27658-2X	-
<b>28037</b>	<b>USES U-JOINT KIT 5-760X</b>		<b>B = 1.25 - 19</b>	<b>D = 1.31 - 30</b>			
-1X	43.62	9.72	620005	36364	33.91	27902-3X	-
-2X	28.62	9.72	620005	36364	18.91	27902-4X	-
-3X	28.03	9.72	620005	36364	18.31	27902-11X	-
-4X	46.50	9.72	620005	36364	36.78	27902-12X	-
-8X	26.34	9.72	620005	36364	16.62	27902-21X	-
-9X	44.97	9.72	620005	36364	35.25	27902-22X	-
-10X	24.47	9.72	620005	36364	14.69	27902-19X	-
-11X	42.70	9.72	620005	36364	33.19	27902-20X	-

## Dimensions & Components

Listed By Complete Assembly Number



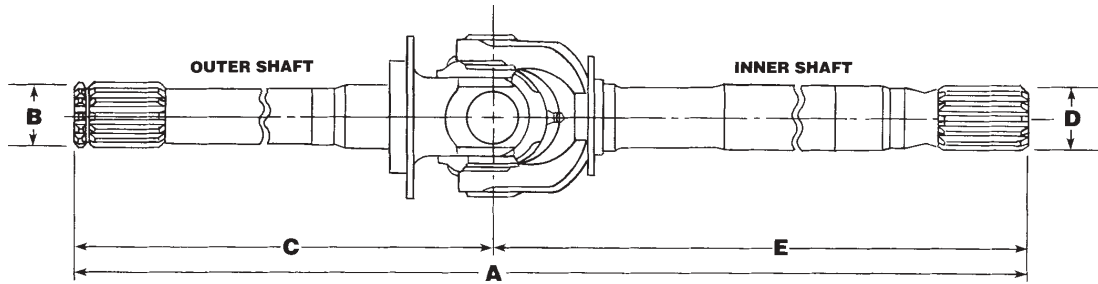
Axle Shaft Assy		Outer Shaft Spindle End			Inner Shaft Side Gear		
Complete Assembly Number	Overall Length	Length	Yoke Shaft Part Number	Slinger	Length	Yoke Shaft Part Number	Slinger
	A	C			E		
<b>28071</b>	<b>USES U-JOINT KIT 5-260X</b>			<b>B = 1.25 - 19</b>	<b>D = 1.16 - 27</b>		
-1X	37.66	9.72	36575	36364	27.94	27553-11X	35168
-2X	28.03	9.72	36575	36364	18.31	27553-5X	35168
<b>28135</b>	<b>USES U-JOINT KIT 5-260X</b>			<b>B = 1.16 - 27</b>	<b>D = 1.16 - 27</b>		
-1X	40.75	8.22	2-82-1391	-	32.53	27658-1X	-
-2X	24.12	8.22	2-82-1391	-	15.91	27658-2X	-
<b>28142</b>	<b>USES U-JOINT KIT 5-260X</b>			<b>B = 1.12 - 10</b>	<b>D = 1.31 - 30</b>		
-1X	26.22	8.22	2-82-161	-	18.00	27656-1X	-
-2X	44.22	8.22	2-82-161	-	36.00	27656-6X	-
<b>28173</b>	<b>USES U-JOINT KIT 5-760X</b>			<b>B = 1.25 - 19</b>	<b>D = 1.31 - 30</b>		
-1X	26.56	8.80	36666	36364	17.76	27902-9X	-
-2X	45.06	8.80	36666	36364	36.25	27902-10X	-
-3X	40.91	8.80	36666	36364	32.12	27902-16X	-
-4X	31.91	8.80	36666	36364	23.12	27902-17X	-
-5X	26.94	8.80	36666	36364	18.14	27902.23X	-
-6X	44.44	8.80	36666	36364	35.64	27902-24X	-
-15X	25.70	8.80	36666	36364	16.91	27902-5X	-
-16X	45.89	8.80	36666	36364	37.11	27902-18X	-
-17X	21.80	8.80	36666	36364	12.98	27902-55X	-
-18X	36.05	8.80	36666	36364	27.25	27902-56X	-
<b>28179</b>	<b>USES U-JOINT KIT 5-260X</b>			<b>B = 1.16 - 27</b>	<b>D = 1.16 - 27</b>		
-1X	23.62	8.72	36617	36364	14.91	27941-1X	35168
-2X	41.75	8.72	36617	36364	33.03	27941-2X	35168
-3X	22.86	8.72	36617	36364	14.14	27941-3X	35168
-4X	35.73	8.72	36617	36364	27.02	27941-4X	35168
-5X	22.86	8.72	36617	36364	14.14	27941-7X	35168
-6X	41.43	8.72	36617	36364	32.71	27941-8X	35168
-7X	24.54	8.72	36617	36364	15.82	27941-9X	35168
-8X	37.41	8.72	36617	36364	28.69	27941-10X	35168
<b>28360</b>	<b>USES U-JOINT KIT 5-260X</b>			<b>B = 1.25 - 19</b>	<b>D = 1.31 - 30</b>		
-1X	44.47	9.53	660118-1	-	34.94	27656-9X	-
-2X	28.34	9.53	660118-1	-	18.81	27656-10X	-
<b>28381</b>	<b>USES U-JOINT KIT 5-760X</b>			<b>B = 1.16 - 27</b>	<b>D = 1.31 - 30</b>		
-1X	23.50	8.72	36859	36364	14.78	27902-13X	-
-2X	41.62	8.72	36859	36364	32.91	27902-14X	-
-3X	26.86	8.72	36859	36364	18.14	27902-23X	-
-4X	44.36	8.72	36859	36364	35.64	27902-24X	-

# FRONT AXLE SHAFTS

## Dimensions & Components

Axle Shaft Assy		Outer Shaft Spindle End			Inner Shaft Side Gear		
Complete Assembly Number	Overall Length	Length	Yoke Shaft Part Number	Slinger	Length	Yoke Shaft Part Number	Slinger
	A	C			E		
<b>28478</b>	<b>USES U-JOINT KIT 5-760X</b>		<b>B = 1.50 - 35</b>	<b>D = 1.31 - 30</b>			
-1X	23.49	6.59	36990	38414	16.90	27902-5X	-
-2X	43.69	6.59	36990	38414	37.10	27902-18X	-
-3X	22.70	6.59	36990	38414	16.11	27902-25X	-
-4X	43.09	6.59	36990	38414	36.50	27902-8X	-
-5X	41.98	6.59	36990	38414	35.41	27902-6X	-
-6X	26.48	6.59	36990	38414	19.91	27902-36X	-
<b>29508</b>	<b>USES U-JOINT KIT 5-760X</b>		<b>B = 1.25 - 19</b>	<b>D = 1.31 - 30</b>			
-1X	45.41	10.66	37951	36364	34.75	27902-35X	-
-2X	29.64	10.66	37951	36364	18.62	27902-31X	-
<b>29833</b>	<b>USES U-JOINT KIT 5-760X</b>		<b>B = 1.25 - 19</b>	<b>D = 1.31 - 30</b>			
-1X	28.43	9.94	38347	36364	18.50	27902-1X	-
-2X	46.06	9.94	38347	36364	36.13	27902-2X	-
-4X	43.12	9.94	38347	36364	33.19	27902-20X	-
-5X	26.56	9.94	38347	36364	16.62	27902-21X	-
-6X	45.19	9.94	38347	36364	35.25	27902-22X	-
<b>660003</b>	<b>USES U-JOINT KIT 5-760X</b>		<b>B = 1.25 - 19</b>	<b>D = 1.31 - 30</b>			
-1	43.62	9.72	620005	36364	33.91	27902-3X	-
-2	28.62	9.72	620005	36364	18.91	27902-4X	-
-3	44.47	9.72	620005	36364	34.75	27902-35X	-
-4	28.34	9.72	620005	36364	18.62	27902-31X	-
-5	45.12	9.72	620005	36364	35.41	27902-6X	-
-6	29.62	9.72	620005	36364	19.91	27902-36X	-
-7	21.37	9.72	620005	36364	11.66	70017-3X	-
-8	22.92	9.72	620005	36364	31.97	70017-4X	-
-9	24.53	9.72	620005	36364	14.81	27902-28X	-
-10	28.53	9.72	620005	36364	18.81	27902-29X	-
-11	32.53	9.72	620005	36364	22.81	27902-30X	-
-13	26.53	9.72	620005	36364	16.81	27902-46X	-
-14	40.53	9.72	620005	36364	30.81	27902-47X	-
<b>660029</b>	<b>USES U-JOINT KIT 5-260X</b>		<b>B = 1.25 - 19</b>	<b>D = 1.31 - 30</b>			
-1	37.66	9.72	620043	36364	27.94	27553-11X	35168
-2	28.03	9.72	620043	36364	18.31	27553-5X	35168
<b>660048</b>	<b>USES U-JOINT KIT 5-806X/SPL55-3X</b>			<b>B = 1.31 - 30</b>	<b>D = 1.50 - 35</b>		
-1	45.96	11.40	620085	37308	34.56	660182-10	-
-2	30.08	11.40	620085	37308	18.68	660182-11	-
-4	48.08	11.40	620085	37308	36.68	660182-36	-
-5	27.36	11.40	620085	37308	15.96	660182-1	-
<b>660091</b>	<b>USES U-JOINT KIT 5-760X</b>		<b>B = 1.25 - 19</b>	<b>D = 1.31 - 30</b>			
-3	24.62	9.93	620134	36364	14.69	27902-19X	-
-4	43.12	9.93	620134	36364	33.19	27902-20X	-
-5	26.56	9.93	620134	36364	16.63	27902-21X	-
-6	45.18	9.93	620134	36364	35.25	27902-22X	-
-9	42.05	9.93	620134	36364	32.12	27902-16X	-
-22	27.64	9.93	620134	36364	17.72	27902-50X	-
-23	44.09	9.93	620134	36364	34.17	27902-51X	-
-24	25.72	9.93	620134	36364	15.80	27902-52X	-

Listed By Complete Assembly Number



Axle Shaft Assy		Outer Shaft Spindle End			Inner Shaft Side Gear		
Complete Assembly Number	Overall Length	Length	Yoke Shaft Part Number	Slinger	Length	Yoke Shaft Part Number	Slinger
	A	C			E		
<b>660092</b>	<b>USES U-JOINT KIT 5-760X</b>			<b>B = 1.25 - 19</b>	<b>D = 1.31 - 30</b>		
-8	26.72	9.72	620137	36364	16.62	27902-21X	-
-9	44.97	9.72	620137	36364	35.25	27902-22X	-
-12	24.53	9.72	620137	36364	14.81	27902-28X	-
<b>660106</b>	<b>USES U-JOINT KIT 5-760X</b>			<b>B = 1.25 - 19</b>	<b>D = 1.31 - 30</b>		
-1	43.62	9.72	620160	36364	33.91	27902-3X	-
-2	28.62	9.72	620160	36364	18.91	27902-4X	-
-3	44.47	9.72	620160	36364	34.75	27902-35X	-
-4	28.34	9.72	620160	36364	18.62	27902-31X	-
<b>660124</b>	<b>USES U-JOINT KIT 5-760X</b>			<b>B = 1.25 - 19</b>	<b>D = 1.31 - 30</b>		
-1	43.62	9.72	620200	36364	33.91	27902-3X	-
-2	28.62	9.72	620200	-	18.91	27902-4X	36364
-3	44.47	9.72	620200	36364	34.75	27902-35X	-
-4	28.35	9.72	620200	36364	18.63	27902-31X	-
<b>660242</b>	<b>USES U-JOINT KIT 5-760X</b>			<b>B = 1.25 - 19</b>	<b>D = 1.37 - 31</b>		
-1	34.81	9.92	620348	36364	24.77	660265-1	-
<b>660243</b>	<b>USES U-JOINT KIT 5-760X</b>			<b>B = 1.25 - 19</b>	<b>D = 1.31 - 30</b>		
-3	25.62	9.92	620348	36364	15.72	660266-7	-
<b>660244</b>	<b>USES U-JOINT KIT 5-760X</b>			<b>B = 1.25 - 19</b>	<b>D = 1.37 - 31</b>		
-1	33.62	9.81	620356	36364	23.63	72112-2X	-
<b>660245</b>	<b>USES U-JOINT KIT 5-760X</b>			<b>B = 1.25 - 19</b>	<b>D = 1.31 - 30</b>		
-1	26.91	9.81	620356	36364	17.09	660266-8	-
<b>660246</b>	<b>USES U-JOINT KIT 5-282X</b>			<b>B = 1.31 - 30</b>	<b>D = 1.37 - 31</b>		
-1	34.84	10.89	620364	37308	23.94	660268-1	-
<b>660247</b>	<b>USES U-JOINT KIT 5-282X</b>			<b>B = 1.31 - 30</b>	<b>D = 1.31 - 30</b>		
-1	28.00	10.89	620364	37308	17.09	660269-1	-
<b>660301</b>	<b>USES U-JOINT KIT 5-760X</b>			<b>B = 1.25 - 19</b>	<b>D = 1.31 - 30</b>		
-1	26.95	9.93	621063	36364	17.02	660266-3	-
-2	47.16	9.93	621063	36364	37.22	660266-4	-
-3	26.04	9.93	621063	36364	16.11	27902-25X	-
-4	46.43	9.93	621063	36364	36.50	27902-8X	-
<b>660426</b>	<b>USES U-JOINT KIT 5-806X/SPL55-3X</b>			<b>B = 1.31 - 30</b>	<b>D = 1.50 - 35</b>		
-1	46.86	11.41	620085	-	35.47	620604-1	-
-2	30.11	11.41	620085	-	18.72	660182-11	-



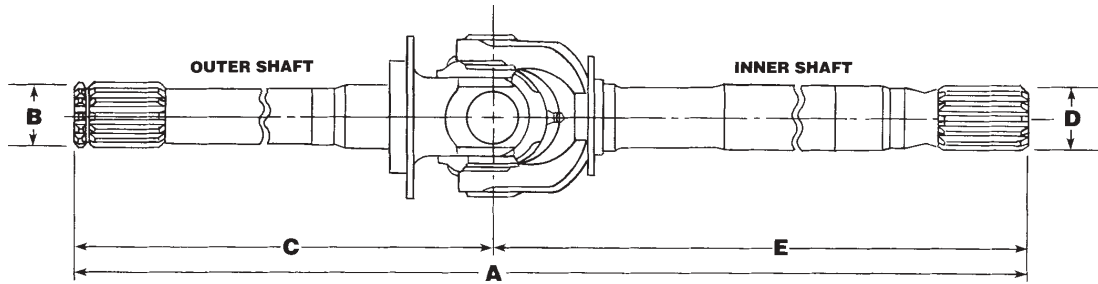
# FRONT AXLE SHAFTS

## Dimensions & Components

Axle Shaft Assy		Outer Shaft Spindle End			Inner Shaft Side Gear		
Complete Assembly Number	Overall Length	Length	Yoke Shaft Part Number	Slinger	Length	Yoke Shaft Part Number	Slinger
	A	C			E		
<b>660542</b>	<b>USES U-JOINT KIT 5-806X/SPL55-3X</b>			<b>B = 1.31 - 30</b>	<b>D = 1.50 - 35</b>		
-1	29.67	12.00	620938	-	17.67	660182-5	-
-2	47.08	12.00	620938	-	35.08	660182-6	-
<b>660599</b>	<b>USES U-JOINT KIT 5-760X</b>			<b>B = 1.25 - 19</b>	<b>D = 1.31 - 30</b>		
-1	26.95	9.92	621063	36364	17.02	27902-65X	-
-2	47.15	9.92	621063	36364	37.22	27902-66X	-
-3	26.03	9.92	621063	36364	16.11	27902-25X	-
-4	46.42	9.92	621063	36364	36.50	27902-8X	-
<b>70016</b>	<b>USES U-JOINT KIT 5-760X</b>			<b>B = 1.25 - 19</b>	<b>D = 1.31 - 30</b>		
-1X	34.69	9.93	38347	36364	24.76	660265-1	-
-2X	24.11	9.93	38347	36364	14.18	70017-2X	-
<b>708060</b>	<b>USES U-JOINT KIT 5-760X</b>			<b>B = 1.41 - 33</b>	<b>D = 1.60 - 15</b>		
	26.39	6.77	49991	45942	19.62	80380-1	49254
<b>708061</b>	<b>USES U-JOINT KIT 5-760X</b>			<b>B = 1.41 - 33</b>	<b>D = 1.31 - 30</b>		
	26.89	6.77	49991	45942	20.12	80379-1	49254
<b>708063</b>	<b>USES U-JOINT KIT 5-806X/SPL55-3X</b>			<b>B = 1.41 - 33</b>	<b>D = 1.90 - 18</b>		
	26.18	7.39	49569	45520	18.79	80179-1	50381
<b>708064</b>	<b>USES U-JOINT KIT 5-806X/SPL55-3X</b>			<b>B = 1.41 - 33</b>	<b>D = 1.37 - 32</b>		
	26.52	7.39	49569	45520	19.13	80178-1	50381
<b>708189</b>	<b>USES U-JOINT KIT 5-760X</b>			<b>B = 1.41 - 33</b>	<b>D = 1.37 - 32</b>		
	45.78	7.39	49569	45520	38.39	80178-2	-
<b>71393</b>	<b>USES U-JOINT KIT 5-760X</b>			<b>B = 1.25 - 19</b>	<b>D = 1.31 - 31</b>		
-1X	34.69	9.92	39905	36364	24.77	660265-1	-
<b>71394</b>	<b>USES U-JOINT KIT 5-760X</b>			<b>B = 1.25 - 19</b>	<b>D = 1.31 - 30</b>		
-1X	25.60	9.92	39905	36364	15.69	27902-53X	-
<b>71395</b>	<b>USES U-JOINT KIT 5-760X</b>			<b>B = 1.25 - 19</b>	<b>D = 1.37 - 31</b>		
-1X	33.45	9.81	39906	36364	23.63	660265-2	-
<b>71396</b>	<b>USES U-JOINT KIT 5-760X</b>			<b>B = 1.25 - 19</b>	<b>D = 1.31 - 30</b>		
-1X	26.91	9.81	39906	36364	17.11	660266-8	-
<b>71557</b>	<b>USES U-JOINT KIT 5-760X</b>			<b>B = 1.25 - 19</b>	<b>D = 1.59 - 15</b>		
-1X	21.95	9.93	620134	36364	12.02	72706-1X	-
-2X	23.87	9.93	620134	36364	13.94	72706-2X	-
<b>71628</b>	<b>USES U-JOINT KIT 5-760X</b>			<b>B = 1.25 - 19</b>	<b>D = 1.31 - 30</b>		
-1X	28.03	9.71	36503	36364	18.31	27902-11X	-
-2X	46.50	9.71	36503	36364	36.78	27902-12X	-
<b>71702</b>	<b>USES U-JOINT KIT 5-456X</b>			<b>B = 1.00 - 23</b>	<b>D = 1.19 - 28</b>		
-1X	26.91	7.66	40394	-	19.25	71693X	-
<b>71703</b>	<b>USES U-JOINT KIT 5-456X</b>			<b>B = 1.00 - 23</b>	<b>D = 1.00 - 23</b>		
-1X	21.42	7.66	40394	-	13.76	660548-2	-
<b>71859</b>	<b>USES U-JOINT KIT 5-260X</b>			<b>B = 1.16 - 27</b>	<b>D = 1.16 - 27</b>		
-1X	22.68	6.11	40611	40589	16.57	71860-1X	35168
<b>72044</b>	<b>USES U-JOINT KIT 5-760X</b>			<b>B = 1.25 - 19</b>	<b>D = 1.37 - 31</b>		
-1X	34.69	9.92	39905	36364	24.77	72112-1X	-

## Dimensions & Components

Listed By Complete Assembly Number



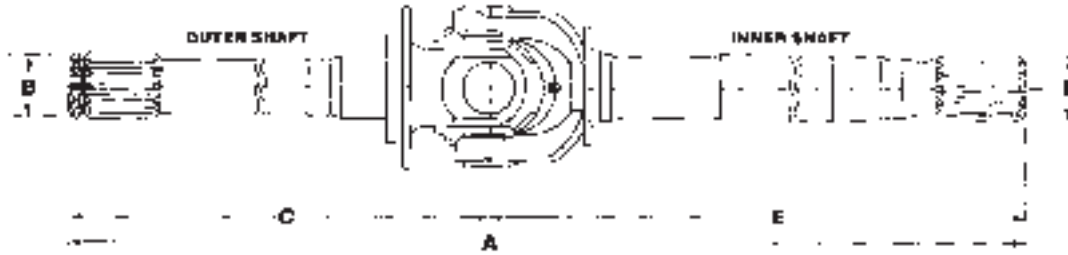
Axle Shaft Assy		Outer Shaft Spindle End			Inner Shaft Side Gear		
Complete Assembly Number	Overall Length	Length	Yoke Shaft Part Number	Slinger	Length	Yoke Shaft Part Number	Slinger
	A	C			E		
<b>72045</b>	<b>USES U-JOINT KIT 5-760X</b>		<b>B = 1.25 - 19</b>	<b>D = 1.31 - 31</b>			
-1X	33.46	9.81	39906	36364	23.65	72112-2X	-
<b>72046</b>	<b>USES U-JOINT KIT 5-282X</b>		<b>B = 1.31 - 30</b>	<b>D = 1.31 - 31</b>			
-1X	34.84	10.90	620364	37308	23.94	72114-1X	-
<b>72080</b>	<b>USES U-JOINT KIT CV AXLES B = 1.03 - 32</b>		<b>D = 1.59 - 15</b>				
-1X	21.91	6.11	-	40589	15.80	40899-1	-
<b>72081</b>	<b>USES U-JOINT KIT CV AXLES B = 1.03 - 32</b>		<b>D = 1.17 - 27</b>				
-1X	22.69	6.11	-	40589	16.57	40900-1	-
-2X	38.52	6.11	-	40589	32.40	40900-2	-
<b>72146</b>	<b>USES U-JOINT KIT 5-806X/SPL55-3X</b>		<b>B = 1.31 - 30</b>	<b>D = 15.01 - 35</b>			
-1X	29.67	12.00	40955	37308	17.67	60182-5	-
-2X	47.07	12.00	40955	37308	35.08	660182-6	-
<b>72216</b>	<b>USES U-JOINT KIT 5-760X</b>		<b>B = 1.25 - 19</b>	<b>D = 1.31 - 31</b>			
-1X	33.46	9.80	39906	-	23.65	72112-2X	-
<b>72217</b>	<b>USES U-JOINT KIT 5-760X</b>		<b>B = 1.25 - 19</b>	<b>D = 1.31 - 30</b>			
-1X	26.91	9.80	39906	-	17.11	660266-8	-
<b>72218</b>	<b>USES U-JOINT KIT 5-760X</b>		<b>B = 1.25 - 19</b>	<b>D = 1.31 - 31</b>			
-1X	34.69	9.92	39905	-	24.77	72112-1X	-
<b>72219</b>	<b>USES U-JOINT KIT 5-760X</b>		<b>B = 1.25 - 19</b>	<b>D = 1.31 - 30</b>			
-1X	25.61	9.92	39905	-	15.69	660266-7	-
<b>72324</b>	<b>USES U-JOINT KIT 5-260X</b>		<b>B = 1.16 - 27</b>	<b>D = 1.59 - 15</b>			
-1X	21.91	6.11	40611	40589	15.80	72904-1X	40615
<b>72467</b>	<b>USES U-JOINT KIT 5-760X</b>		<b>B = 1.25 - 19</b>	<b>D = 1.59 - 15</b>			
-1X	29.12	9.92	621063	36364	19.19	72706-3X	-
-2X	28.24	9.92	621063	36364	18.32	72706-4X	-
<b>72747</b>	<b>USES U-JOINT KIT 5-760X</b>		<b>B = 1.25 - 19</b>	<b>D = 1.59 - 15</b>			
-1X	29.05	9.92	41677	36364	19.13	29903-1X	-
-2X	45.42	9.92	41677	36364	35.50	660276-1	-
<b>72801</b>	<b>USES U-JOINT KIT 5-760X</b>		<b>B = 1.25 - 19</b>	<b>D = 1.31 - 30</b>			
-4X	44.09	9.93	620134	36364	34.17	72800-4X	-
<b>73111</b>	<b>USES U-JOINT KIT 5-760X</b>		<b>B = 1.25 - 19</b>	<b>D = 1.31 - 31</b>			
-1X	33.29	8.52	42350	36364	24.77	72112-1X	-

# FRONT AXLE SHAFTS

## Dimensions & Components

Axle Shaft Assy		Outer Shaft Spindle End			Inner Shaft Side Gear		
Complete Assembly Number	Overall Length	Length	Yoke Shaft Part Number	Slinger	Length	Yoke Shaft Part Number	Slinger
	A	C			E		
<b>73112</b>	<b>USES U-JOINT KIT 55-760X</b>		<b>B = 1.25 - 19</b>	<b>D = 1.31 - 30</b>			
-1X	24.21	8.52	42350	36364	15.69	27902-53X	-
<b>73411</b>	<b>USES U-JOINT KIT 5-760X</b>		<b>B = 1.18 - 27</b>	<b>D = 1.31 - 31</b>			
-2X	27.84	7.94	42569	36364	19.90	72112-4X	-
<b>73412</b>	<b>USES U-JOINT KIT 5-760X</b>		<b>B = 1.18 - 27</b>	<b>D = 1.18 - 27</b>			
-2X	21.21	7.94	42569	36364	13.27	73413-2X	-
<b>73578</b>	<b>USES U-JOINT KIT 5-760X</b>		<b>B = 1.25 - 19</b>	<b>D = 1.59 - 15</b>			
-1X	29.12	9.92	621063	36364	19.19	73579-1X	-
-2X	28.24	9.92	621063	-	18.32	73579-2X	-
<b>73619</b>	<b>USES U-JOINT KIT 5-260X</b>		<b>B = 1.16 - 27</b>	<b>D = 1.16 - 27</b>			
-1X	22.69	6.11	40611	40589	16.57	73677-1X	43346
-2X	38.52	6.11	40611	40589	32.41	73677-2X	43346
-4X	38.52	6.11	40611	-	32.40	73677-2X	43346
<b>73620</b>	<b>USES U-JOINT KIT 5-260X</b>		<b>B = 1.16 - 27</b>	<b>D = 1.59 - 15</b>			
-1X	21.91	6.11	40611	40589	15.80	73678X	43346
<b>73686</b>	<b>USES U-JOINT KIT 5-760X</b>		<b>B = 1.16 - 27</b>	<b>D = 1.16 - 27</b>			
-1X	22.69	6.11	43205	-	16.57	73684-1X	35168
-2X	38.52	6.11	43205	-	32.41	73684-2X	35168
<b>73708</b>	<b>USES U-JOINT KIT 5-760X</b>		<b>B = 1.16 - 27</b>	<b>D = 1.16 - 27</b>			
-1X	22.69	6.11	43205	-	16.57	73713-1X	-
-2X	38.52	6.11	43205	-	32.41	73713-2X	-
<b>73897</b>	<b>USES U-JOINT KIT 5-760X</b>		<b>B = 1.16 - 27</b>	<b>D = 1.16 - 27</b>			
-1X	22.69	6.11	43205	-	16.57	73898-1X	-
-2X	38.52	6.11	43205	-	32.41	73898-2X	-
<b>73899</b>	<b>USES U-JOINT KIT 5-260X</b>		<b>B = 1.16 - 27</b>	<b>D = 1.59 - 15</b>			
-1X	22.69	6.11	40611	40589	16.57	73900-1X	-
-2X	38.52	6.11	40611	40589	32.41	73900-2X	-
<b>73901</b>	<b>USES U-JOINT KIT 5-260X</b>		<b>B = 1.16 - 27</b>	<b>D = 1.59 - 15</b>			
-1X	21.91	6.11	40611	40589	15.80	73902-1X	-
<b>73918</b>	<b>USES U-JOINT KIT CV AXLES</b>		<b>B = 1.17 - 27</b>	<b>D = 1.16 - 27</b>			
-1X	22.68	6.11	-	-	16.57	-	-
-2X	38.51	6.11	-	-	32.40	-	-
<b>74225</b>	<b>USES U-JOINT KIT 5-760X</b>		<b>B = 1.25 - 19</b>	<b>D = 1.59 - 15</b>			
-1X	28.91	9.71	36503	36364	19.19	73579-1X	-
<b>74236</b>	<b>USES U-JOINT KIT 5-760X</b>		<b>B = 1.25 - 19</b>	<b>D = 1.31 - 30</b>			
-1X	26.74	9.71	36503	36364	17.02	27902-65X	-
<b>74257</b>	<b>USES U-JOINT KIT 5-260X</b>		<b>B = 1.16 - 27</b>	<b>D = 1.16 - 27</b>			
-1X	22.69	6.11	40611	40589	16.57	73900-1X	43601
-2X	38.52	6.11	40611	40589	32.41	73900-2X	43601
<b>74258</b>	<b>USES U-JOINT KIT 5-260X</b>		<b>B = 1.16 - 27</b>	<b>D = 1.59 - 15</b>			
-1X	21.91	6.11	40611	40589	15.80	73902-1X	43601
<b>74286</b>	<b>USES U-JOINT KIT 5-760X</b>		<b>B = 1.16 - 27</b>	<b>D = 1.16 - 27</b>			
-1X	22.68	6.11	43205	-	16.57	73898-1X	-
-2X	38.52	6.11	43205	-	32.40	73898-2X	-

### Listed By Complete Assembly Number



Axle Shaft Assy		Outer Shaft Spindle End			Inner Shaft Side Gear		
Complete Assembly Number	Overall Length	Length	Yoke Shaft Part Number	Slinger	Length	Yoke Shaft Part Number	Slinger
	A	C			E		
<b>74424</b>	<b>USES U-JOINT KIT 5-806X/SPL55-3X</b>			<b>B = 1.31 - 30</b>	<b>D = 1.50 - 35</b>		
-1X	27.57	11.40	44325	37308	16.17	74425-1X	-
-2X	48.37	11.40	44325	37308	36.97	74425-2X	-
<b>74445</b>	<b>USES U-JOINT KIT 5-282X</b>		<b>B = 1.31 - 30</b>	<b>D = 1.36 - 31</b>			
-1X	34.84	10.90	44449	37308	23.94	72114-1X	-
<b>74446</b>	<b>USES U-JOINT KIT 5-282X</b>		<b>B = 1.31 - 30</b>	<b>D = 1.31 - 30</b>			
-1X	28.00	10.90	44449	37308	17.11	660269-1	-
<b>74509</b>	<b>USES U-JOINT KIT 5-806X/SPL55-3X</b>			<b>B = 1.31 - 30</b>	<b>D = 1.50 - 35</b>		
-1X	27.57	11.40	44325	37308	16.17	74425-1X	-
-2X	48.37	11.40	44325	37308	36.97	74425-2X	-
<b>74592</b>	<b>USES U-JOINT KIT 5-760X</b>		<b>B = 1.16 - 27</b>	<b>D = 1.16 - 27</b>			
-1X	22.68	6.11	43205	-	16.57	73713-1X	-
-2X	38.52	6.11	43205	-	32.40	73713-2X	-
<b>74757</b>	<b>USES U-JOINT KIT 5-760X</b>		<b>B = 1.41 - 33</b>	<b>D = 1.60 - 15</b>			
-1X	26.39	6.77	44985	45942	19.61	74793-1X	-
<b>74758</b>	<b>USES U-JOINT KIT 5-760X</b>		<b>B = 1.41 - 33</b>	<b>D = 1.31 - 30</b>			
-1X	26.89	6.77	44985	45942	20.12	27902-72X	-
<b>74759</b>	<b>USES U-JOINT KIT 5-760X</b>		<b>B = 1.41 - 33</b>	<b>D = 1.60 - 15</b>			
-1X	26.39	6.77	49255	-	19.61	76815-1X	-
<b>74760</b>	<b>USES U-JOINT KIT 5-760X</b>		<b>B = 1.41 - 33</b>	<b>D = 1.31 - 30</b>			
-1X	26.89	6.77	49255	-	20.12	76814-1X	-
<b>74813</b>	<b>USES U-JOINT KIT 5-760X</b>		<b>B = 1.25 - 19</b>	<b>D = 1.31 - 30</b>			
-1X	25.60	9.92	39905	-	15.68	27902-53X	-
<b>74820</b>	<b>USES U-JOINT KIT 5-760X</b>		<b>B = 1.25 - 19</b>	<b>D = 1.36 - 31</b>			
-1X	34.69	9.92	39905	-	24.77	72112-1X	-
<b>74931</b>	<b>USES U-JOINT KIT 5-760X</b>		<b>B = 1.16 - 27</b>	<b>D = 1.36 - 31</b>			
-1X	27.84	7.94	42569	-	19.90	72112-4X	-
<b>74932</b>	<b>USES U-JOINT KIT 5-760X</b>		<b>B = 1.16 - 27</b>	<b>D = 1.16 - 27</b>			
-1X	21.21	7.94	42569	-	13.27	73413-2X	-
<b>74933</b>	<b>USES U-JOINT KIT 5-760X</b>		<b>B = 1.16 - 27</b>	<b>D = 1.00 - 23</b>			
-1X	22.16	7.94	42569	-	14.22	74413-1X	-
<b>74934</b>	<b>USES U-JOINT KIT 5-282X</b>		<b>B = 1.31 - 30</b>	<b>D = 1.36 - 31</b>			
-1X	34.84	10.89	44449	-	23.94	72114-1X	-

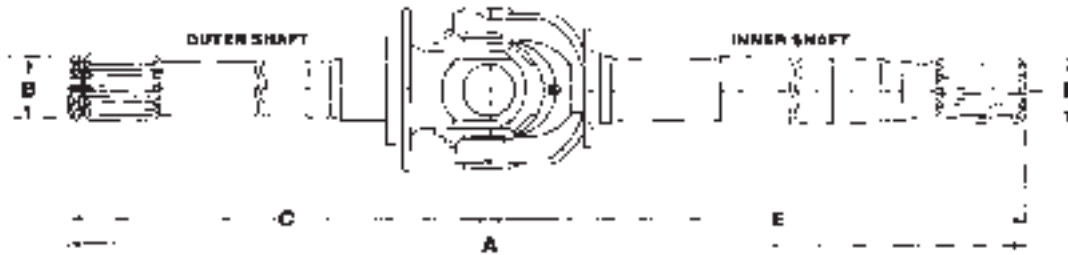
# FRONT AXLE SHAFTS

## Dimensions & Components

Axle Shaft Assy		Outer Shaft Spindle End			Inner Shaft Side Gear		
Complete Assembly Number	Overall Length	Length	Yoke Shaft Part Number	Slinger	Length	Yoke Shaft Part Number	Slinger
	A	C			E		
<b>74935</b>	<b>USES U-JOINT KIT 5-282X</b>		<b>B = 1.31 - 30</b>	<b>D = 1.31 - 30</b>			
-1X	28.00	10.89	44449	-	17.10	660269-1	-
<b>75069</b>	<b>USES U-JOINT KIT 5-760X</b>		<b>B = 1.16 - 27</b>	<b>D = 1.60 - 15</b>			
-1X	21.91	6.11	43205	-	15.80	74032-1X	43346
<b>75240</b>	<b>USES U-JOINT KIT 5-760X</b>		<b>B = 1.16 - 27</b>	<b>D = 1.36 - 31</b>			
-1X	27.84	7.94	46242	-	19.90	72112-4X	-
<b>75241</b>	<b>USES U-JOINT KIT 5-760X</b>		<b>B = 1.16 - 27</b>	<b>D = 1.16 - 27</b>			
-1X	21.21	7.94	46242	-	13.27	73413-2X	-
<b>75242</b>	<b>USES U-JOINT KIT 5-760X</b>		<b>B = 1.16 - 27</b>	<b>D = 1.00 - 23</b>			
-1X	22.16	7.94	46242	-	14.22	74413-1X	-
<b>75525</b>	<b>USES U-JOINT KIT 5-760X</b>		<b>B = 1.16 - 27</b>	<b>D = 1.18 - 27</b>			
-1X	22.69	6.11	43205	-	16.58	73898-1X	-
-2X	38.52	6.11	43205	-	32.41	73898-2X	-
<b>75587</b>	<b>USES U-JOINT KIT 5-760X</b>		<b>B = 1.16 - 27</b>	<b>D = 1.16 - 27</b>			
-1X	22.68	6.11	43205	46988	16.57	73898-1X	-
<b>75588</b>	<b>USES U-JOINT KIT 5-760X</b>		<b>B = 1.16 - 27</b>	<b>D = 1.60 - 15</b>			
-1X	21.91	6.11	43205	46988	15.80	75527-1X	-
<b>75589</b>	<b>USES U-JOINT KIT 5-760X</b>		<b>B = 1.16 - 27</b>	<b>D = 1.60 - 15</b>			
-1X	21.91	6.11	43205	-	15.80	75527-1X	-
<b>75590</b>	<b>USES U-JOINT KIT 5-760X</b>		<b>B = 1.16 - 27</b>	<b>D = 1.18 - 27</b>			
-1X	22.68	6.11	43205	-	16.57	73898-1X	-
-2X	38.52	6.11	43205	-	32.40	73898-2X	-
<b>75592</b>	<b>USES U-JOINT KIT 5-806X/SPL55-3X</b>		<b>B = 1.41 - 33</b>	<b>D = 1.31 - 30</b>			
	25.65	7.06	46901	45520	18.59	75594X	-
<b>75632</b>	<b>USES U-JOINT KIT 5-760X</b>		<b>B = 1.16 - 27</b>	<b>D = 1.16 - 27</b>			
-1X	22.69	6.11	43205	46988	16.58	73898-1X	-
<b>75633</b>	<b>USES U-JOINT KIT 5-760X</b>		<b>B = 1.16 - 27</b>	<b>D = 1.60 - 15</b>			
-1X	21.91	6.11	43205	46988	15.80	75527-1X	-
<b>75638X</b>	<b>USES U-JOINT KIT 5-806X/SPL55-3X</b>		<b>B = 1.41 - 33</b>	<b>D = 1.60 - 15</b>			
	25.37	7.06	46901	45520	18.31	74752X	-
<b>75814</b>	<b>USES U-JOINT KIT 5-760X</b>		<b>B = 1.16 - 27</b>	<b>D = 1.16 - 27</b>			
-1X	22.68	6.11	43205	46988	16.57	73898-1X	46849
-2X	38.52	6.11	43205	46988	32.40	73898-2X	46849
<b>75815</b>	<b>USES U-JOINT KIT 5-760X</b>		<b>B = 1.16 - 27</b>	<b>D = 1.16 - 27</b>			
-1X	22.68	6.11	43205	-	16.57	73898-1X	46849
-2X	38.52	6.11	43205	-	32.40	73898-2X	46849
<b>76110</b>	<b>USES U-JOINT KIT SPL55-3X</b>		<b>B = 1.31 - 30</b>	<b>D = 1.31 - 30</b>			
-1X	46.51	9.38	47750	-	37.13	76111-1X	-
-2X	25.28	9.38	47750	-	15.90	76111-2X	-
<b>76150</b>	<b>USES U-JOINT KIT SPL55-3X</b>		<b>B = 1.31 - 30</b>	<b>D = 1.50 - 35</b>			
-1X	47.01	9.39	47750	50491	37.62	76151-1X	50381
-2X	24.78	9.39	47750	50491	15.39	76151-2X	50381
-3X	47.98	9.39	47750	50491	38.59	76151-3X	50381
-4X	25.75	9.39	47750	50491	16.36	76151-4X	50381

## Dimensions & Components

Listed By Complete Assembly Number



Axle Shaft Assy		Outer Shaft Spindle End			Inner Shaft Side Gear		
Complete Assembly Number	Overall Length	Length	Yoke Shaft Part Number	Slinger	Length	Yoke Shaft Part Number	Slinger
	A	C			E		
<b>76471X</b>	<b>USES U-JOINT KIT SPL55-3X B = 1.41 - 33</b>			<b>D = 1.60 - 15</b>			
	25.37	7.05	46901	45520	18.31	74752X	-
<b>76472X</b>	<b>USES U-JOINT KIT SPL55-3X B = 1.41 - 33</b>			<b>D = 1.31 - 30</b>			
	25.64	7.05	46901	45520	18.59	75594X	-
<b>76500</b>	<b>USES U-JOINT KIT 5-760X B = 1.16 - 27</b>			<b>D = 1.18 - 27</b>			
-1X	40.11	6.08	47740	-	34.03	73898-3X	-
-2X	24.37	6.08	47740	-	18.29	73898-4X	-
<b>76627X</b>	<b>USES U-JOINT KIT SPL55-3X B = 1.41 - 33</b>			<b>D = 1.60 - 15</b>			
	25.37	7.05	46901	45520	18.31	74752X	-
<b>76628X</b>	<b>USES U-JOINT KIT SPL55-3X B = 1.41 - 33</b>			<b>D = 1.31 - 30</b>			
	25.64	7.05	46901	45520	18.59	75594X	-
<b>76659</b>	<b>USES U-JOINT KIT SPL55-4X B = 1.31 - 30</b>			<b>D = 1.50 - 35</b>			
-1X	27.57	11.40	48903	-	16.17	76660-1X	-
-2X	48.37	11.40	48903	-	36.97	76660-2X	-
<b>76812</b>	<b>USES U-JOINT KIT 5-760X B = 1.41 - 33</b>			<b>D = 1.60 - 15</b>			
-1X	26.39	6.77	49255	45942	19.62	76815-1X	49254
<b>76813</b>	<b>USES U-JOINT KIT 5-760X B = 1.41 - 33</b>			<b>D = 1.31 - 30</b>			
-1X	26.89	6.77	49255	45942	20.12	76814-1X	49254
<b>80156</b>	<b>USES U-JOINT KIT 5-806X/SPL55-3X</b>			<b>B = 1.41 - 33</b>		<b>D = 1.90 - 18</b>	
-1	26.18	7.39	49569	45520	18.79	80179-1	-
<b>80157</b>	<b>USES U-JOINT KIT 5-806X/SPL55-3X</b>			<b>B = 1.41 - 33</b>		<b>D = 1.37 - 32</b>	
-1	26.51	7.39	49569	45520	19.12	80178-1	-
-2	45.78	7.39	49569	45520	38.39	80178-2	-
<b>80381</b>	<b>USES U-JOINT KIT 5-760X B = 1.41 - 33</b>			<b>D = 1.60 - 15</b>			
-1	26.39	6.77	49991	45942	19.62	80380-1	49254
<b>80382</b>	<b>USES U-JOINT KIT 5-760X B = 1.41 - 33</b>			<b>D = 1.31 - 30</b>			
-1	26.89	6.77	49991	45942	20.12	80379-1	49254
<b>84378</b>	<b>USES U-JOINT KIT 5-760X B = 1.16 - 27</b>			<b>D = 1.31 - 30</b>			
-1	37.96	6.11	43205	46988	31.85	84394-1	-
-2	23.04	6.11	43205	46988	16.93	84394-2	-
<b>84910</b>	<b>USES U-JOINT KIT 5-806X/SPL55-3X</b>			<b>B = 1.41 - 33</b>		<b>D = 1.37 - 32</b>	
-1	45.96	7.04	53217	55474	38.92	84911-1	53887
-2	23.73	7.04	53217	55474	16.69	84911-2	53887

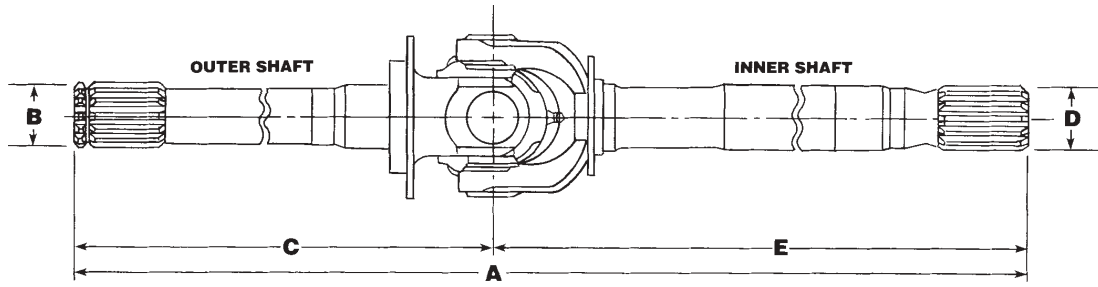


# FRONT AXLE SHAFTS

## Dimensions & Components

Axle Shaft Assy		Outer Shaft Spindle End			Inner Shaft Side Gear		
Complete Assembly Number	Overall Length	Length	Yoke Shaft Part Number	Slinger	Length	Yoke Shaft Part Number	Slinger
	A	C			E		
<b>85059</b>	<b>USES U-JOINT KIT 5-806X/SPL55-3X</b>			<b>B = 1.50 - 35</b>	<b>D = 1.50 - 35</b>		
-1	34.59	11.35	53386	50381	23.24	2001484-1	53887
-2	53.96	11.35	53386	50381	42.61	2001484-2	53887
<b>86003</b>	<b>USES U-JOINT KIT 5-806X/SPL55-3X</b>			<b>B = 1.50 - 35</b>	<b>D = 1.50 - 35</b>		
-1	47.01	9.39	54629	54520	37.62	76151-1X	50381
-2	24.78	9.39	54629	54520	15.39	76151-2X	50381
-3	47.98	9.39	54629	54520	38.59	76151-3X	50381
-4	25.75	9.39	54629	54520	16.36	76151-4X	50381
<b>901258</b>	<b>USES U-JOINT KIT 5-260X</b>		<b>B = 1.12 - 10</b>	<b>D = 1.31 - 30</b>			
-1	26.22	8.22	2-82-161	-	18.00	27656-1X	-
<b>901463</b>	<b>USES U-JOINT KIT 5-260X</b>		<b>B = 1.25 - 19</b>	<b>D = 1.16 - 27</b>			
-1	37.78	9.72	2-82-1011	-	28.06	27657-1X	-
-2	28.16	9.72	2-82-1011	-	18.44	27657-2X	-
<b>901510</b>	<b>USES U-JOINT KIT 5-260X</b>		<b>B = 1.25 - 19</b>	<b>D = 1.31 - 30</b>			
-1	43.62	9.72	2-82-1011	-	33.91	27648-1X	-
-2	28.62	9.72	2-82-1011	-	18.91	27648-2X	-
<b>902252</b>	<b>USES U-JOINT KIT 5-88X</b>		<b>B = 1.50 - 35</b>	<b>D = 1.50 - 35</b>			
-1	35.22	11.03	3-82-591	-	24.19	660180-1	-
-2	50.97	11.03	3-82-591	-	39.94	660180-2	-
-10	33.53	11.03	3-82-591	-	22.50	660180-5	-
-11	50.53	11.03	3-82-591	-	39.50	660180-6	-
-19	46.42	11.03	3-82-591	-	35.37	660180-14	-
-20	29.42	11.03	3-82-591	-	18.37	660180-13	-
<b>902754</b>	<b>USES U-JOINT KIT 5-260X</b>		<b>B = 1.25 - 19</b>	<b>D = 1.16 - 27</b>			
-1	37.78	9.72	2-82-1121	35975	28.06	27657-1X	-
-2	28.16	9.72	2-82-1121	35975	18.44	27657-2X	-
<b>902811</b>	<b>USES U-JOINT KIT 5-260X</b>		<b>B = 1.25 - 19</b>	<b>D = 1.31 - 30</b>			
-1	43.62	9.72	2-82-1121	35975	33.91	27648-1X	-
-2	28.62	9.72	2-82-1121	35975	18.91	27648-2X	-
-3	47.21	9.72	2-82-1121	35975	17.50	27648-3X	-
-4	44.84	9.72	2-82-1121	35975	35.12	27648-4X	-
<b>903212</b>	<b>USES U-JOINT KIT 5-86X</b>		<b>B = 1.25 - 19</b>	<b>D = 1.31 - 30</b>			
-1	27.62	9.16	3-82-431	-	18.47	660178-5	-
-2	46.12	9.16	3-82-431	-	36.97	660178-6	-
-3	26.91	9.16	3-82-431	-	17.75	660178-7	-
-4	45.16	9.16	3-82-431	-	36.00	660178-8	-
<b>903213</b>	<b>USES U-JOINT KIT 5-74X</b>		<b>B = 1.25 - 19</b>	<b>D = 1.31 - 30</b>			
-3	26.37	8.62	2-82-181	-	17.75	27656-5X	-
-4	44.62	8.62	2-82-181	-	36.00	27656-6X	-
<b>903670</b>	<b>USES U-JOINT KIT 5-88X</b>		<b>B = 1.37 - 21</b>	<b>D = 1.50 - 35</b>			
-1	29.34	11.03	3-82-461-1	-	18.31	660180-13	-
-2	46.47	11.03	3-82-461-1	-	35.38	660180-14	-
<b>904371</b>	<b>USES U-JOINT KIT 5-260X</b>		<b>B = 1.25 - 19</b>	<b>D = 1.31 - 30</b>			
-1	28.44	9.94	2-82-1221	35975	18.50	27553-7X	35168
-2	46.05	9.94	2-82-1221	35975	36.12	27553-8X	35168

Listed By Complete Assembly Number



Axle Shaft Assy		Outer Shaft Spindle End			Inner Shaft Side Gear		
Complete Assembly Number	Overall Length	Length	Yoke Shaft Part Number	Slinger	Length	Yoke Shaft Part Number	Slinger
	A	C			E		
<b>904685</b>	<b>USES U-JOINT KIT 5-260X</b>			<b>B = 1.25 - 19</b>	<b>D = 1.31 - 30</b>		
-1	28.26	9.76	2-82-1171	35975	18.50	27553-7X	35168
-2	45.86	9.76	2-82-1171	35975	36.12	27553-8X	35168
<b>904686</b>	<b>USES U-JOINT KIT 5-260X</b>			<b>B = 1.25 - 19</b>	<b>D = 1.31 - 30</b>		
-3	27.22	9.72	2-82-1121	35975	17.50	27648-3X	35168
-4	44.84	9.72	2-82-1121	35975	35.12	27648-4X	35168
-5	43.62	9.72	2-82-1121	35975	33.96	27553-1X	35168
-6	28.62	9.72	2-82-1121	35975	18.91	27553-2X	35168
-7	28.03	9.72	2-82-1121	35975	18.31	27553-5X	35168
-9	37.66	9.72	2-82-1121	35975	27.94	27553-11X	35168
<b>905192</b>	<b>USES U-JOINT KIT 5-260X</b>			<b>B = 1.16 - 27</b>	<b>D = 1.16 - 27</b>		
-1	23.62	8.72	2-82-1371	35975	14.91	27941-1X	35168
-2	41.75	8.72	2-82-1371	35975	33.03	27941-2X	35168
-5	22.86	8.72	2-82-1371	35975	14.14	27941-3X	35168
-6	35.73	8.72	2-82-1371	35975	27.01	2-82-1381-6	35168
<b>905298</b>	<b>USES U-JOINT KIT 5-74X</b>			<b>B = 1.06 - 27</b>	<b>D = 1.16 - 27</b>		
-1	40.75	8.22	2-82-1391	37308	32.53	27658-1X	-
-2	24.12	8.22	2-82-1391	37308	15.91	27658-2X	-
<b>907396</b>	<b>USES U-JOINT KIT 5-86X</b>			<b>B = 1.25 - 19</b>	<b>D = 1.31 - 30</b>		
-1	43.94	10.06	3-82-411	-	33.87	660183-1	-
-2	29.56	10.06	3-82-411	-	19.50	660183-2	-
<b>907967</b>	<b>USES U-JOINT KIT 5-806X/SPL55-3X</b>			<b>B = 1.31 - 30</b>	<b>D = 1.50 - 35</b>		
-1	27.97	12.00	40955	37308	15.97	660182-1	-
-2	47.20	12.00	40955	37308	35.20	660182-2	-
-3	33.16	12.00	40955	37308	21.16	660182-3	-
-4	56.53	12.00	40955	37308	44.53	660182-4	-
-5	29.67	12.00	40955	37308	17.67	660182-5	-
-6	47.07	12.00	40955	37308	35.07	660182-6	-
-11	28.94	12.00	40955	37308	16.94	660182-34	-
-12	26.44	12.00	40955	37308	14.44	660182-12	-
-16	44.06	12.00	40955	37308	32.06	660182-26	-
-18	36.72	12.00	40955	37308	24.72	660182-30	-
-21	46.56	12.00	40955	37308	34.56	660182-10	-
-22	29.25	12.00	40955	37308	17.25	660182-21	-
-23	47.50	12.00	40955	37308	35.50	660182-22	-

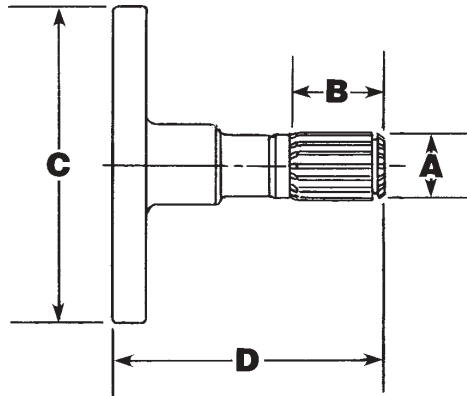
# FRONT AXLE SHAFTS

## Dimensions & Components



Axle Shaft Assy		Outer Shaft Spindle End			Inner Shaft Side Gear		
Complete Assembly Number	Overall Length	Length	Yoke Shaft Part Number	Slinger	Length	Yoke Shaft Part Number	Slinger
	A	C			E		
<b>909033</b>	<b>USES U-JOINT KIT 5-282X</b>		<b>B = 1.25 - 19</b>	<b>D = 1.31 - 30</b>			
-1	30.33	11.30	3-82-841	36364	19.01	660179-1	-
-2	44.70	11.30	3-82-841	36364	33.20	660179-2	-
<b>909218</b>	<b>USES U-JOINT KIT 5-806X/SPL55-3X</b>		<b>B = 1.50 - 35</b>	<b>D = 1.50 - 35</b>			
-1	27.96	12.00	3-82-871	37308	15.96	660182-1	-
-2	47.20	12.00	3-82-871	37308	35.20	660182-2	-
-7	29.67	12.00	3-82-871	37308	17.67	660182-5	-
-8	47.07	12.00	3-82-871	37308	35.07	660182-6	-
-11	30.68	12.00	3-82-871	37308	18.68	660182-11	-
-15	46.56	12.00	3-82-871	37308	34.56	660182-10	-

**Eagle Model 30/ 181 IFS and Ford Aerostar Model 28/ 174 IFS  
Listed by Length**

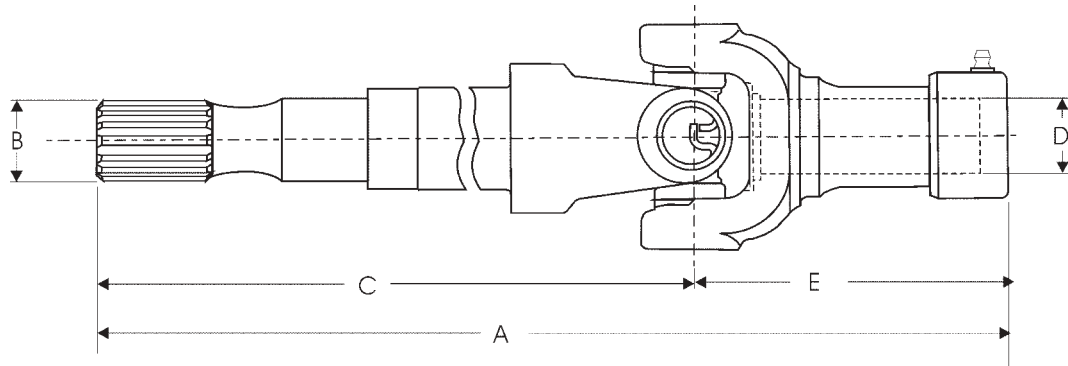


Length of Flange Face to Spline End	Complete Shaft Assembly Part Num-	Spline Dia. & Number of Teeth	Spline Length B	Flange Diameter C	Bolt Circle	Number of Bolts	Float
3.876	620964	1.18 - 27	.790	5.630	4.840	6	Semi
4.796	620516	1.18 - 27	1.625	5.630	4.843	6	Semi
4.796	620842	1.18 - 27	1.625	5.630	4.843	6	Semi
4.863	43157	1.00 - 23	1.693	3.715	3.120	4	Semi
4.979	44100	1.00 - 23	1.693	3.745	3.071	6	Semi
14.870	43159	1.00 - 23	1.693	3.715	3.120	4	Semi
14.986	44102	1.00 - 23	1.693	3.745	3.071	6	Semi
20.422	620515	1.18 - 27	1.625	5.630	4.843	6	Semi

# FORD IFS AXLE SHAFTS & SLIP YOKES

## Dimensions & Components

### Listed by Complete Assembly Number

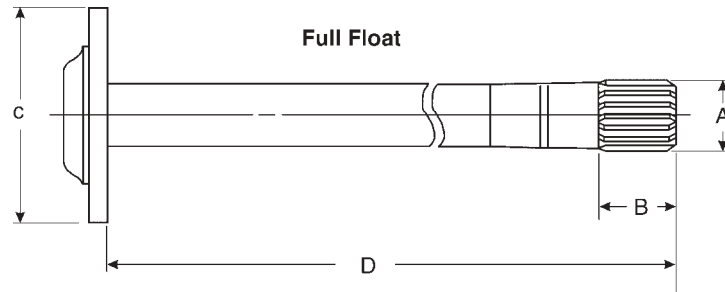


Complete Assembly Number	U-Joint Kit	Overall Length	Major Spline Diameter	C/L to End of Spline	Yoke Shaft Number	Major Spline Diameter	C/L to End of Spline	Slip Yoke Part Number
		A	B	C		D	E	
660232-1	5-282X	15.14	1.31 - 30	9.89	700153	1.39 - 30/31 <sup>(35)</sup>	5.25	3-3-2861X
660396-1	5-297X	15.39	1.31 - 30	9.89	700152	1.39 - 30/31 <sup>(35)</sup>	5.50	2-3-8311X
71432-1X	5-297X	15.39	1.31 - 30	9.89	620308-1	1.39 - 30/31 <sup>(35)</sup>	5.50	2-3-8481X
71691X	5-456X	15.12	1.00 - 23	10.06	40391	1.21 - 26/28 <sup>(36)</sup>	5.06	2-3-8811X
71735-1X	5-297X	15.64	1.31 - 30	10.14	40437-1	1.39 - 30/31 <sup>(35)</sup>	5.50	2-3-8481X
71738-1X	5-282X	15.33	1.31 - 30	10.08	40438-1	1.39 - 30/31 <sup>(35)</sup>	5.25	3-3-2861X
71739-1X	5-297X	15.64	1.31 - 30	10.14	40437-1	1.39 - 30/31 <sup>(35)</sup>	5.50	2-3-8311X
72041-1X	5-297X	15.14	1.31 - 30	10.14	40437-1	1.39 - 30/31 <sup>(35)</sup>	5.06	2-3-8741X
72043-1X	5-282X	14.89	1.31 - 30	10.08	40438-1	1.39 - 30/31 <sup>(35)</sup>	4.81	3-3-3001X
73414-1X	5-297X	16.10	1.16 - 27	11.04	42571-1	1.39 - 30/31 <sup>(35)</sup>	5.06	2-3-8741X
<del>74444-1X</del>	5-760X	15.01	1.00 - 23	9.95	44316-1	1.39 - 30/31 <sup>(35)</sup>	5.06	2-3-8741X

(35) 1.39 - 30 based on 31 spline

(36) 1.21 - 26 based on 28 spline

### Listed By Length



Length of Flange Face to End of Shaft	Complete Shaft Assy. Part Number	Spline Dia. & Number of Teeth	Spline Length	Flange Diameter	Bolt Circle	Number of Bolts	Float
D		A	B	C			
21.96	34887-30A	1.31 - 30	1.81	4.75	3.96	8	FULL
23.25	34887-23	1.31 - 30	1.81	4.75	3.96	8	FULL
30.34	31494-8	1.31 - 30	1.81	4.50	3.72	8	FULL
31.12	34887-1	1.31 - 30	1.81	4.75	3.96	8	FULL
31.12	35467-1	1.31 - 30	1.81	4.75	3.96	8	FULL
31.22	34887-13	1.31 - 30	1.81	4.75	3.96	8	FULL
31.22	35953-5	1.31 - 30	1.81	4.75	3.96	8	FULL
31.22	38378-3	1.31 - 30	1.81	4.74	3.96	8	FULL
31.22	43965-2	1.31 - 30	1.81	4.73	3.96	8	FULL
31.47	34887-4	1.31 - 30	1.81	4.75	3.96	8	FULL
31.83	35091-19	1.50 - 35	1.62	4.74	3.96	8	FULL
32.22	38378-5	1.31 - 30	1.81	4.74	3.96	8	FULL
32.81	31494-5	1.31 - 30	1.81	4.50	3.72	8	FULL
33.25	35445-1	1.31 - 16	1.81	4.75	3.96	8	FULL
33.25	35467-6	1.31 - 30	1.81	4.75	3.96	8	FULL
33.25	37560-1	1.31 - 30	1.81	4.75	3.96	8	FULL
33.35	41100-2	1.50 - 35	1.63	4.47	3.56	8	FULL
33.69	30282-1	1.31 - 16	1.81	4.75	3.96	8	FULL
33.77	37560-3	1.31 - 30	1.81	4.75	3.96	8	FULL
33.78	36113-23	1.50 - 35	1.62	4.75	3.96	8	FULL
33.78	41100-3	1.50 - 35	1.63	4.47	3.56	8	FULL
33.87	30282-4	1.31 - 16	1.81	4.75	3.96	8	FULL
33.87	34887-3	1.31 - 30	1.81	4.75	3.96	8	FULL
34.12	36113-7	1.50 - 35	1.62	4.75	3.96	8	FULL
34.17	35953	1.31 - 30	1.81	4.75	3.96	8	FULL
34.17	39260-2	1.31 - 30	1.81	4.75	3.96	8	FULL
34.17	43965-1	1.31 - 30	1.81	4.73	3.96	8	FULL
34.21	38378-1	1.31 - 30	1.81	4.74	3.96	8	FULL
34.22	34887-14	1.31 - 30	1.81	4.75	3.96	8	FULL
34.22	34887-6	1.31 - 30	1.81	4.75	3.96	8	FULL
34.24	35091-29	1.50 - 35	1.62	4.74	3.96	8	FULL
34.24	43811-1	1.37 - 32	1.62	4.72	3.96	8	FULL
34.51	39260-4	1.31 - 30	1.81	4.75	3.96	8	FULL
34.56	35445-2	1.31 - 16	1.81	4.75	3.96	8	FULL
34.56	35467-3	1.31 - 30	1.81	4.75	3.96	8	FULL
34.62	39260-1	1.31 - 30	1.81	4.75	3.96	8	FULL
34.75	31494-1	1.31 - 30	1.81	4.50	3.72	8	FULL
34.85	36113-21	1.50 - 35	1.62	4.75	3.96	8	FULL
34.92	43811-16	1.37 - 32	1.62	4.72	3.96	8	FULL
34.99	39260-7	1.31 - 30	1.81	4.75	3.96	8	FULL



# REAR AXLE SHAFTS

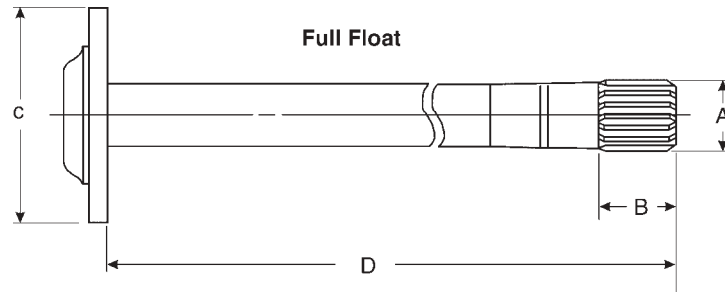
## Dimensions & Components

Length of Flange Face to End of Shaft	Complete Shaft Assy. Part Number	Spline Dia. & Number of Teeth	Spline Length	Flange Diameter	Bolt Circle	Number of Bolts	Float
D		A	B	C			
35.01	33318-1	1.50 - 23	1.62	5.19	4.38	6	FULL
35.05	34414-1	1.50 - 23	1.62	4.75	3.97	8	FULL
35.05	35468-1	1.50 - 23	1.62	4.75	3.96	8	FULL
35.05	36113-1	1.50 - 35	1.62	4.75	3.96	8	FULL
35.44	41100-6	1.50 - 35	1.63	4.47	3.56	8	FULL
35.64	35953-3	1.31 - 30	1.81	4.75	3.96	8	FULL
35.76	35091-11	1.50 - 35	1.62	4.74	3.96	8	FULL
35.78	32987-1	1.31 - 30	1.81	4.75	4.00	6	FULL
35.81	31494-10	1.31 - 30	1.81	4.50	3.72	8	FULL
35.83	39260-3	1.31 - 30	1.81	4.75	3.96	8	FULL
35.91	35103-1	1.50 - 35	1.62	5.25	4.37	6	FULL
36.07	36113-22	1.50 - 35	1.62	4.75	3.96	8	FULL
36.09	35091-1	1.50 - 35	1.62	4.74	3.96	8	FULL
36.17	44264-1	1.58 - 37	1.74	3.90	—	-	FULL
36.18	36625-1	1.50 - 35	1.77	3.90	—	-	FULL
36.19	47037-1	1.58 - 37	1.74	5.12	4.25	8	FULL
36.20	36166-1	1.50 - 35	1.62	4.75	3.97	8	FULL
36.49	37560-4	1.31 - 30	1.81	4.75	3.96	8	FULL
36.49	41100-7	1.50 - 35	1.63	4.47	3.56	8	FULL
36.50	45553-3	1.50 - 35	1.74	4.74	3.96	8	FULL
36.65	45553-1	1.50 - 35	1.74	4.74	3.96	8	FULL
36.71	43811-12	1.37 - 32	1.62	4.72	3.96	8	FULL
36.76	43965-4	1.31 - 30	1.81	4.73	3.96	8	FULL
36.80	35953-2	1.31 - 30	1.81	4.75	3.96	8	FULL
36.85	37560-2	1.31 - 30	1.81	4.75	3.96	8	FULL
36.93	43811-3	1.37 - 32	1.62	4.72	3.96	8	FULL
36.94	35091-4	1.50 - 35	1.62	4.74	3.96	8	FULL
37.10	32987-3	1.31 - 30	1.81	4.75	4.00	6	FULL
37.22	35953-6	1.31 - 30	1.81	4.75	3.96	8	FULL
37.22	38378-4	1.31 - 30	1.81	4.74	3.96	8	FULL
37.22	39260-5	1.31 - 30	1.81	4.75	3.96	8	FULL
37.22	43965-3	1.31 - 30	1.81	4.73	3.96	8	FULL
37.31	35091-28	1.50 - 35	1.62	4.74	3.96	8	FULL
37.38	47847-3	1.50 - 35	1.62	4.88	4.02	8	FULL
37.40	36113-27	1.50 - 35	1.62	4.75	3.96	8	FULL
37.40	43811-4	1.37 - 32	1.62	4.72	3.96	8	FULL
37.42	36113-5	1.50 - 35	1.62	4.75	3.96	8	FULL
37.47	34887-5	1.31 - 30	1.81	4.75	3.96	8	FULL
37.47	36113-8	1.50 - 35	1.62	4.75	3.96	8	FULL
37.64	43811-17	1.37 - 32	1.62	4.72	3.96	8	FULL
37.67	42442-1	1.50 - 35	1.75	5.17	4.33	8	FULL
37.67	43286-1	1.50 - 35	1.75	5.17	4.33	8	FULL
37.67	43651-1	1.60 - 37	1.75	5.17	4.33	8	FULL
37.71	39260-8	1.31 - 30	1.81	4.75	3.96	8	FULL
37.83	35091-17	1.50 - 35	1.62	4.74	3.96	8	FULL
37.91	36113-18	1.50 - 35	1.62	4.75	3.96	8	FULL
38.64	35091-9	1.50 - 35	1.62	4.74	3.96	8	FULL
38.64	35953-1	1.31 - 30	1.81	4.75	3.96	8	FULL
38.67	43286-2	1.50 - 35	1.75	5.17	4.33	8	FULL
38.67	43651-2	1.58 - 37	1.75	5.17	4.33	8	FULL

# REAR AXLE SHAFTS

## Dimensions & Components

### Listed By Length

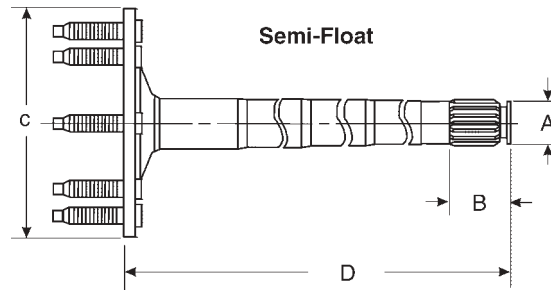


Length of Flange Face to End of Shaft	Complete Shaft Assy. Part Number	Spline Dia. & Number of Teeth	Spline Length	Flange Diameter	Bolt Circle	Number of Bolts	Float
D		A	B	C			
38.74	47847-4	1.50 - 35	1.62	4.88	4.02	8	FULL
38.81	31494-6	1.31 - 30	1.81	4.50	3.72	8	FULL
38.88	47847-1	1.50 - 35	1.62	4.88	4.02	8	FULL
38.92	41100-4	1.50 - 35	1.63	4.47	3.56	8	FULL
38.96	52033-7	1.50 - 35	1.75	4.50	3.56	8	FULL
39.00	45553-2	1.50 - 35	1.74	4.74	3.96	8	FULL
39.05	36113-24	1.50 - 35	1.62	4.75	3.96	8	FULL
39.27	44264-2	1.58 - 37	1.74	3.90	0.00	0	FULL
39.28	47037-2	1.58 - 37	1.74	5.12	4.25	8	FULL
39.34	41100-5	1.50 - 35	1.63	4.47	3.56	8	FULL
39.44	35091-10	1.50 - 35	1.62	4.74	3.96	8	FULL
39.44	36113-17	1.50 - 35	1.62	4.75	3.96	8	FULL
39.44	43811-6	1.37 - 32	1.62	4.72	3.96	8	FULL
39.65	46930-3	1.50 - 35	1.62	4.74	3.96	8	FULL
39.69	36453-1	1.50 - 35	1.62	4.47	3.56	8	FULL
39.69	41100-1	1.50 - 35	1.63	4.47	3.56	8	FULL
40.05	46930-1	1.50 - 35	1.62	4.74	3.96	8	FULL
40.07	47852-1	1.58 - 37	1.75	6.07	5.22	8	FULL
40.12	34887-2	1.31 - 30	1.81	4.75	3.96	8	FULL
40.12	35467-2	1.31 - 30	1.81	4.75	3.96	8	FULL
40.19	36113-19	1.50 - 35	1.62	4.75	3.96	8	FULL
40.24	47847-2	1.50 - 35	1.62	4.88	4.02	8	FULL
40.30	36113-25	1.50 - 35	1.62	4.75	3.96	8	FULL
40.35	52033-8	1.50 - 35	1.75	4.50	3.56	8	FULL
40.75	36113-28	1.50 - 35	1.62	4.75	3.96	8	FULL
40.75	43811-7	1.37 - 32	1.62	4.72	3.96	8	FULL
40.77	36113-6	1.50 - 35	1.62	4.75	3.96	8	FULL
41.31	31494-9	1.31 - 30	1.81	4.50	3.72	8	FULL
41.51	35091-12	1.50 - 35	1.62	4.74	3.96	8	FULL
41.64	35953-4	1.31 - 30	1.81	4.75	3.96	8	FULL
42.47	46930-2	1.50 - 35	1.62	4.74	3.96	8	FULL
42.79	35091-20	1.50 - 35	1.62	4.74	3.96	8	FULL
43.00	46930-4	1.50 - 35	1.62	4.74	3.96	8	FULL
43.58	35091-18	1.50 - 35	1.62	4.74	3.96	8	FULL
44.57	35467-5	1.31 - 30	1.81	4.75	3.96	8	FULL
20.06	26762-3X	1.31 - 30	1.81	7.06	5.50	5	SEMI
22.19	706028-10X	1.31 - 30	1.81	7.06	5.50	5	SEMI
22.20	26762-19X	1.31 - 30	1.81	7.06	5.50	5	SEMI
22.20	35488-19	1.31 - 30	1.81	7.06	5.50	5	SEMI

# REAR AXLE SHAFTS

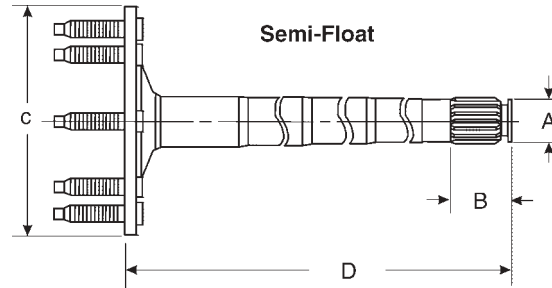
## Dimensions & Components

### Listed By Length



Length of Flange Face to End of Shaft	Complete Shaft Assy. Part Number	Spline Dia. & Number of Teeth	Spline Length	Flange Diameter	Bolt Circle	Number of Bolts	Float
D		A	B	C			
22.78	28497-3X	1.31 - 30	1.81	7.06	5.50	6	SEMI
22.78	706092-3X	1.31 - 30	1.81	7.06	5.50	6	SEMI
22.93	71017-3X	1.50 - 35	1.62	6.00	4.50	8	SEMI
23.06	29699-2X	1.50 - 35	1.62	6.00	4.50	5	SEMI
23.31	706028-8X	1.31 - 30	1.81	7.06	5.50	5	SEMI
23.32	26762-21X	1.31 - 30	1.81	7.06	5.50	5	SEMI
24.11	29700-2X	1.50 - 35	1.62	6.00	4.50	5	SEMI
24.30	71017-4X	1.50 - 35	1.62	6.00	4.50	8	SEMI
24.69	26762-5X	1.31 - 30	1.81	7.06	5.50	5	SEMI
24.69	706028-9X	1.31 - 30	1.81	7.06	5.50	5	SEMI
25.23	26762-6X	1.31 - 30	1.81	7.06	5.50	5	SEMI
25.24	28497-1X	1.31 - 30	1.81	7.06	5.50	6	SEMI
25.24	706092-1X	1.31 - 30	1.81	7.06	5.50	6	SEMI
25.29	72903-2X	1.31 - 30	1.81	7.06	5.50	5	SEMI
25.58	26762-1X	1.31 - 30	1.81	7.06	5.50	5	SEMI
25.87	34551-3	1.31 - 30	1.81	4.50	3.72	8	SEMI
25.96	26762-2X	1.31 - 30	1.81	7.06	5.50	5	SEMI
26.15	26762-22X	1.31 - 30	1.81	7.06	5.50	5	SEMI
26.16	706028-12X	1.31 - 30	1.81	7.06	5.50	5	SEMI
26.93	71017-1X	1.50 - 35	1.62	6.00	4.50	8	SEMI
26.94	26762-20X	1.31 - 30	1.81	7.06	5.50	5	SEMI
26.94	706028-7X	1.31 - 30	1.81	7.06	5.50	5	SEMI
27.06	29699-1X	1.50 - 35	1.62	6.00	4.50	5	SEMI
27.31	35455	1.31 - 30	1.81	7.06	5.50	5	SEMI
27.34	26762-31X	1.31 - 30	1.81	7.06	5.50	5	SEMI
27.44	28497-9X	1.31 - 30	1.81	7.06	5.50	6	SEMI
27.91	28497-14X	1.31 - 30	1.81	7.06	5.50	6	SEMI
28.04	26821-1X	1.31 - 30	1.81	7.06	5.50	5	SEMI
28.11	29700-1X	1.50 - 35	1.62	6.00	4.50	5	SEMI
28.22	71667-2X	1.50 - 35	1.81	7.06	5.50	6	SEMI
28.26	706162-2X	1.31 - 30	1.81	7.06	5.50	5	SEMI
28.28	25833X	1.50 - 23	1.62	6.00	4.50	8	SEMI
28.28	26748X	1.50 - 35	1.62	6.00	4.50	5	SEMI
28.30	71017-2X	1.50 - 35	1.62	6.00	4.50	8	SEMI
28.31	26762-14X	1.31 - 30	1.81	7.06	5.50	5	SEMI
28.78	26860-1X	1.50 - 35	1.81	7.06	5.50	5	SEMI
28.78	35508-1	1.50 - 35	1.81	7.06	5.50	5	SEMI
28.79	72903-1X	1.31 - 30	1.81	7.06	5.50	5	SEMI
28.81	28497-7X	1.31 - 30	1.81	7.06	5.50	6	SEMI
28.81	706092-6X	1.31 - 30	1.81	7.06	5.50	6	SEMI

### Listed By Length



Length of Flange Face to End of Shaft	Complete Shaft Assy. Part Number	Spline Dia. & Number of Teeth	Spline Length	Flange Diameter	Bolt Circle	Number of Bolts	Float
D		A	B	C			
28.85	72900-1X	1.25 - 27	1.50	—	4.50	5	SEMI
28.85	72912-1X	1.18 - 27	1.50	5.94	4.50	5	SEMI
28.85	73107-1X	1.25 - 27	1.50	—	4.50	5	SEMI
28.85	73422-1X	1.18 - 27	1.50	5.94	4.50	5	SEMI
29.04	73624-1X	1.18 - 27	1.38	5.94	4.50	5	SEMI
29.04	73879-1X	1.18 - 27	1.38	5.94	4.50	5	SEMI
29.04	74356-1X	1.18 - 27	1.38	5.94	4.50	5	SEMI
29.04	74789-1X	1.18 - 27	1.38	5.94	4.50	5	SEMI
29.06	26717X	1.50 - 35	1.62	6.00	4.50	5	SEMI
29.06	26748-1X	1.50 - 35	1.62	6.00	4.50	5	SEMI
29.20	75786-2X	1.31 - 30	1.81	5.94	4.50	5	SEMI
29.71	84377-1	1.31 - 30	1.81	5.91	5.00	5	SEMI
29.21	85945-2	1.31 - 30	1.81	5.91	5.00	5	SEMI
29.22	71667-1X	1.50 - 35	1.81	7.06	5.50	6	SEMI
29.24	26762-18X	1.31 - 30	1.81	7.06	5.50	5	SEMI
29.25	706028-6X	1.31 - 30	1.81	7.06	5.50	5	SEMI
29.25	73499-2X	1.31 - 30	1.81	5.94	4.50	5	SEMI
29.26	74871-1X	1.31 - 30	1.80	5.94	4.50	5	SEMI
29.27	22006X	1.31 - 30	1.81	6.72	5.50	6	SEMI
29.28	76786-1X	1.31 - 30	1.80	5.91	4.50	5	SEMI
29.34	76454-1X	1.31 - 30	2.76	6.50	5.00	5	SEMI
29.44	28497-8X	1.31 - 30	1.81	7.06	5.50	6	SEMI
29.47	26762-8X	1.31 - 30	1.81	7.06	5.50	5	SEMI
29.53	24810X	1.31 - 30	1.81	7.06	5.50	5	SEMI
29.53	25984-1X	1.31 - 30	1.81	7.06	5.50	5	SEMI
29.54	72384-1X	1.31 - 30	1.81	5.85	4.75	5	SEMI
29.56	74555-2X	1.31 - 30	1.81	5.87	4.75	5	SEMI
29.59	23244X	1.31 - 30	1.81	6.72	5.50	6	SEMI
29.63	72499-1X	1.18 - 27	1.50	6.16	4.50	5	SEMI
29.66	25834X	1.50 - 23	1.62	6.00	4.50	5	SEMI
29.66	26749X	1.50 - 35	1.62	6.00	4.50	5	SEMI
29.70	75786-1X	1.31 - 30	1.81	5.94	4.50	5	SEMI
29.71	85945-1	1.31 - 30	1.81	5.91	5.00	5	SEMI
29.71	84377-2	1.31 - 30	1.81	5.91	5.00	5	SEMI
29.74	73499-1X	1.31 - 30	1.81	5.94	4.50	5	SEMI
29.76	24820X	1.31 - 30	1.81	7.06	5.50	5	SEMI
29.78	25984-2X	1.31 - 30	1.81	7.06	5.50	5	SEMI
29.81	28497-5X	1.31 - 30	1.81	7.06	5.50	6	SEMI
29.81	706092-5X	1.31 - 30	1.81	7.06	5.50	6	SEMI
30.09	26170X	1.31 - 30	1.81	6.72	5.50	6	SEMI

# REAR AXLE SHAFTS

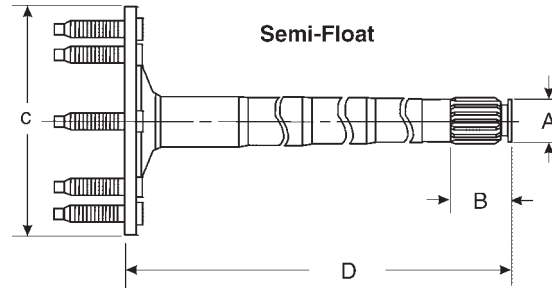
## Dimensions & Components

Length of Flange Face to End of Shaft D	Complete Shaft Assy. Part Number	Spline Dia. & Number of Teeth A	Spline Length B	Flange Diameter C	Bolt Circle	Number of Bolts	Float
30.09	26171X	1.31 - 30	1.81	6.72	5.50	6	SEMI
30.11	26718X	1.50 - 35	1.62	6.00	4.50	5	SEMI
30.11	27438X	1.50 - 35	1.62	6.00	4.50	8	SEMI
30.13	26821-2X	1.31 - 30	1.81	7.06	5.50	5	SEMI
30.13	35455-2	1.31 - 30	1.81	7.06	5.50	5	SEMI
30.25	74871-2X	1.31 - 30	1.80	5.94	4.50	5	SEMI
30.25	76467-3X	1.18 - 27	2.56	6.50	5.00	5	SEMI
30.27	76786-2X	1.31 - 30	1.80	5.91	4.50	5	SEMI
30.28	25175X	1.31 - 30	1.81	7.06	5.50	5	SEMI
30.34	76454-3X	1.31 - 30	2.76	6.50	5.00	5	SEMI
30.35	706162-3X	1.31 - 30	1.81	7.06	5.50	5	SEMI
30.35	72900-2X	1.25 - 27	1.50	—	4.50	5	SEMI
30.35	72912-2X	1.18 - 27	1.50	5.94	4.50	5	SEMI
30.35	73107-2X	1.25 - 27	1.50	—	4.50	5	SEMI
30.35	73422-2X	1.18 - 27	1.50	5.94	4.50	5	SEMI
30.45	28497-13X	1.31 - 30	1.81	7.06	5.50	6	SEMI
30.50	72384-2X	1.31 - 30	1.81	5.85	4.75	5	SEMI
30.52	74555-1X	1.31 - 30	1.81	5.87	4.75	5	SEMI
30.54	73624-2X	1.18 - 27	1.38	5.94	4.50	5	SEMI
30.54	73879-2X	1.18 - 27	1.38	5.94	4.50	5	SEMI
30.54	74356-2X	1.18 - 27	1.38	5.94	4.50	5	SEMI
30.54	74789-2X	1.18 - 27	1.38	5.94	4.50	5	SEMI
30.59	23243X	1.31 - 30	1.81	7.06	5.50	6	SEMI
30.65	706746-1X	1.50 - 35	1.66	8.00	6.50	8	SEMI
30.65	706846-1X	1.50 - 35	1.66	8.00	6.50	8	SEMI
30.65	70867-1X	1.50 - 35	1.66	8.00	6.50	8	SEMI
30.66	706846-5X	1.50 - 35	1.66	8.00	6.50	8	SEMI
30.66	70867-15X	1.50 - 35	1.66	8.00	6.50	8	SEMI
30.66	70867-5X	1.50 - 35	1.66	8.00	6.50	8	SEMI
30.94	26821-3X	1.31 - 30	1.81	7.06	5.50	5	SEMI
30.94	35455-3	1.31 - 30	1.81	7.06	5.50	5	SEMI
31.05	70867-7X	1.50 - 35	1.66	8.00	6.50	8	SEMI
31.08	27436X	1.50 - 35	1.62	6.00	4.50	8	SEMI
31.10	70867-11X	1.50 - 35	1.66	8.00	6.50	8	SEMI
31.11	70165-1X	1.31 - 30	1.81	7.06	5.50	5	SEMI
31.11	70386-1X	1.31 - 30	1.81	7.06	5.50	5	SEMI
31.11	70416-1X	1.31 - 30	1.81	7.06	5.50	5	SEMI
31.11	706587-1X	1.31 - 30	1.81	7.06	5.50	5	SEMI
31.11	706647-1X	1.31 - 30	1.81	7.06	5.50	5	SEMI
31.11	71025-1X	1.31 - 30	1.81	7.06	5.50	5	SEMI
31.21	36041	1.31 - 30	1.81	6.37	5.00	5	SEMI
31.27	22005X	1.31 - 30	1.81	6.72	5.50	6	SEMI
31.34	72499-2X	1.18 - 27	1.50	6.16	4.50	5	SEMI
31.34	76454-4X	1.31 - 30	2.76	6.50	5.00	5	SEMI
31.36	76002-1X	1.50 - 35	1.65	7.98	6.50	8	SEMI
31.41	706746-3X	1.50 - 35	1.66	8.00	6.50	8	SEMI
31.41	706846-3X	1.50 - 35	1.66	8.00	6.50	8	SEMI
31.41	75344-1X	1.50 - 35	1.65	8.05	6.50	8	SEMI
31.42	70867-17X	1.50 - 35	1.66	8.00	6.50	8	SEMI
31.42	70867-3X	1.50 - 35	1.66	8.00	6.50	8	SEMI

# REAR AXLE SHAFTS

## Dimensions & Components

### Listed By Length



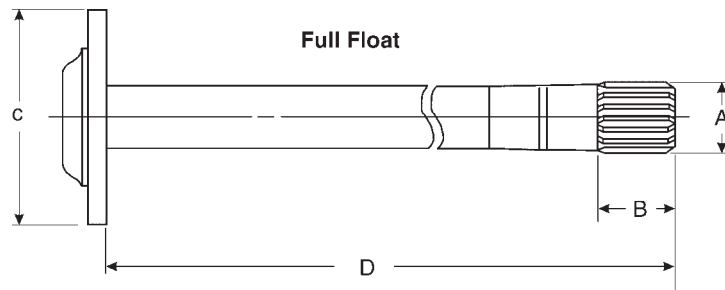
Length of Flange Face to End of Shaft	Complete Shaft Assy. Part Number	Spline Dia. & Number of Teeth	Spline Length	Flange Diameter	Bolt Circle	Number of Bolts	Float
D		A	B	C			
31.44	26762-17X	1.31 - 30	1.81	7.06	5.50	5	SEMI
31.44	706028-5X	1.31 - 30	1.81	7.06	5.50	5	SEMI
31.49	70867-13X	1.50 - 35	1.66	8.00	6.50	8	SEMI
31.49	70867-14X	1.50 - 35	1.66	8.00	6.50	8	SEMI
31.67	26762-7X	1.31 - 30	1.81	7.06	5.50	5	SEMI
31.68	28497-2X	1.31 - 30	1.81	7.06	5.50	6	SEMI
31.69	706092-2X	1.31 - 30	1.81	7.06	5.50	6	SEMI
31.74	76467-4X	1.18 - 27	2.56	6.50	5.00	5	SEMI
31.82	35455-4	1.31 - 30	1.81	7.06	5.50	5	SEMI
31.87	26821-4X	1.31 - 30	1.81	7.06	5.50	5	SEMI
31.93	70867-8X	1.50 - 35	1.66	8.00	6.50	8	SEMI
32.04	706162-1X	1.31 - 30	1.81	7.06	5.50	5	SEMI
32.33	76454-2X	1.31 - 30	2.76	6.50	5.00	5	SEMI
32.45	28497-12X	1.31 - 30	1.81	7.06	5.50	6	SEMI
32.61	70165-2X	1.31 - 30	1.81	7.06	5.50	5	SEMI
32.61	70386-2X	1.31 - 30	1.81	7.06	5.50	5	SEMI
32.61	70416-2X	1.31 - 30	1.81	7.06	5.50	5	SEMI
32.61	70417-2X	1.31 - 30	1.81	7.06	5.50	5	SEMI
32.61	706587-2X	1.31 - 30	1.81	7.06	5.50	5	SEMI
32.61	706647-2X	1.31 - 30	1.81	7.06	5.50	5	SEMI
32.61	71025-2X	1.31 - 30	1.81	7.06	5.50	5	SEMI
32.76	70867-12X	1.50 - 35	1.66	8.00	6.50	8	SEMI
33.18	706746-2X	1.50 - 35	1.66	8.00	6.50	8	SEMI
33.19	706846-2X	1.50 - 35	1.66	8.00	6.50	8	SEMI
33.19	70867-2X	1.50 - 35	1.66	8.00	6.50	8	SEMI
33.20	706846-6X	1.50 - 35	1.66	8.00	6.50	8	SEMI
33.20	70867-16X	1.50 - 35	1.66	8.00	6.50	8	SEMI
33.20	70867-6X	1.50 - 35	1.66	8.00	6.50	8	SEMI
34.08	76002-2X	1.50 - 35	1.65	7.98	6.50	8	SEMI
34.12	706746-4X	1.50 - 35	1.66	8.00	6.50	8	SEMI
34.12	706846-4X	1.50 - 35	1.66	8.00	6.50	8	SEMI
34.13	75344-2X	1.50 - 35	1.65	8.05	6.50	8	SEMI
34.14	28497-4X	1.31 - 30	1.81	7.06	5.50	6	SEMI
34.14	706092-4X	1.31 - 30	1.81	7.06	5.50	6	SEMI
34.14	70867-18X	1.50 - 35	1.66	8.00	6.50	8	SEMI
34.14	70867-4X	1.50 - 35	1.66	8.00	6.50	8	SEMI
34.47	26762-9X	1.31 - 30	1.81	7.06	5.50	5	SEMI
34.47	706028-11X	1.31 - 30	1.81	7.06	5.50	5	SEMI
34.78	26860-2X	1.50 - 35	1.81	7.06	5.50	5	SEMI
34.78	35508-2	1.50 - 35	1.81	7.06	5.50	5	SEMI



# REAR AXLE SHAFTS

## Dimensions & Components

Listed By Part Number

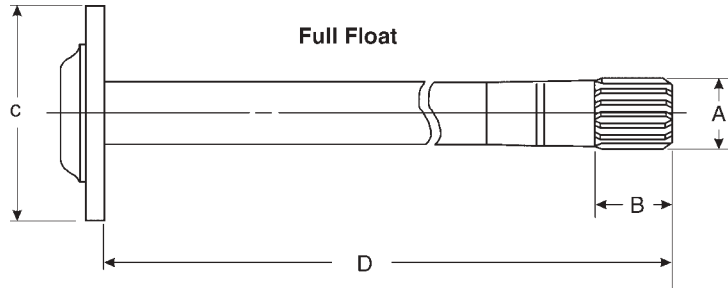


Complete Shaft Assy. Part Number	Length of Flange Face to End of Shaft	Spline Dia. & Number of Teeth	Spline Length	Flange Diameter	Bolt Circle	Number of Bolts	Float
	D						
30282-4	33.87	1.31 - 16	1.81	4.75	3.96	8	FULL
30282-1	33.69	1.31 - 16	1.81	4.75	3.96	8	FULL
31494-10	35.81	1.31 - 30	1.81	4.50	3.72	8	FULL
31494-9	41.31	1.31 - 30	1.81	4.50	3.72	8	FULL
31494-8	30.34	1.31 - 30	1.81	4.50	3.72	8	FULL
31494-6	38.81	1.31 - 30	1.81	4.50	3.72	8	FULL
31494-5	32.81	1.31 - 30	1.81	4.50	3.72	8	FULL
31494-1	34.75	1.31 - 30	1.81	4.50	3.72	8	FULL
32987-3	37.10	1.31 - 30	1.81	4.75	4.00	6	FULL
32987-1	35.78	1.31 - 30	1.81	4.75	4.00	6	FULL
33318-1	35.01	1.50 - 23	1.62	5.19	4.38	6	FULL
34414-1	35.05	1.50 - 23	1.62	4.75	3.97	8	FULL
34887-30A	21.96	1.31 - 30	1.81	4.75	3.96	8	FULL
34887-23	23.25	1.31 - 30	1.81	4.75	3.96	8	FULL
34887-14	34.22	1.31 - 30	1.81	4.75	3.96	8	FULL
34887-13	31.22	1.31 - 30	1.81	4.75	3.96	8	FULL
34887-6	34.22	1.31 - 30	1.81	4.75	3.96	8	FULL
34887-5	37.47	1.31 - 30	1.81	4.75	3.96	8	FULL
34887-4	31.47	1.31 - 30	1.81	4.75	3.96	8	FULL
34887-3	33.87	1.31 - 30	1.81	4.75	3.96	8	FULL
34887-2	40.12	1.31 - 30	1.81	4.75	3.96	8	FULL
34887-1	31.12	1.31 - 30	1.81	4.75	3.96	8	FULL
35091-29	34.24	1.50 - 35	1.62	4.74	3.96	8	FULL
35091-28	37.31	1.50 - 35	1.62	4.74	3.96	8	FULL
35091-20	42.79	1.50 - 35	1.62	4.74	3.96	8	FULL
35091-19	31.83	1.50 - 35	1.62	4.74	3.96	8	FULL
35091-18	43.58	1.50 - 35	1.62	4.74	3.96	8	FULL
35091-17	37.83	1.50 - 35	1.62	4.74	3.96	8	FULL
35091-12	41.51	1.50 - 35	1.62	4.74	3.96	8	FULL
35091-11	35.76	1.50 - 35	1.62	4.74	3.96	8	FULL
35091-10	39.44	1.50 - 35	1.62	4.74	3.96	8	FULL
35091-9	38.64	1.50 - 35	1.62	4.74	3.96	8	FULL
35091-4	36.94	1.50 - 35	1.62	4.74	3.96	8	FULL
35091-1	36.09	1.50 - 35	1.62	4.74	3.96	8	FULL
35103-1	35.91	1.50 - 35	1.62	5.25	4.37	6	FULL
35445-2	34.56	1.31 - 16	1.81	4.75	3.96	8	FULL
35445-1	33.25	1.31 - 16	1.81	4.75	3.96	8	FULL
35467-6	33.25	1.31 - 30	1.81	4.75	3.96	8	FULL
35467-5	44.57	1.31 - 30	1.81	4.75	3.96	8	FULL

# REAR AXLE SHAFTS

## Dimensions & Components

Listed By Part Number



Complete Shaft Assy. Part Number	Length of Flange Face to End of Shaft	Spline Dia. & Number of Teeth	Spline Length	Flange Diameter	Bolt Circle	Number of Bolts	Float
	D			C			
35467-3	34.56	1.31 - 30	1.81	4.75	3.96	8	FULL
35467-2	40.12	1.31 - 30	1.81	4.75	3.96	8	FULL
35467-1	31.12	1.31 - 30	1.81	4.75	3.96	8	FULL
35468-1	35.05	1.50 - 23	1.62	4.75	3.96	8	FULL
35953-6	37.22	1.31 - 30	1.81	4.75	3.96	8	FULL
35953-5	31.22	1.31 - 30	1.81	4.75	3.96	8	FULL
35953-4	41.64	1.31 - 30	1.81	4.75	3.96	8	FULL
35953-3	35.64	1.31 - 30	1.81	4.75	3.96	8	FULL
35953-2	36.80	1.31 - 30	1.81	4.75	3.96	8	FULL
35953-1	38.64	1.31 - 30	1.81	4.75	3.96	8	FULL
35953	34.17	1.31 - 30	1.81	4.75	3.96	8	FULL
36113-28	40.75	1.50 - 35	1.62	4.75	3.96	8	FULL
36113-27	37.40	1.50 - 35	1.62	4.75	3.96	8	FULL
36113-25	40.30	1.50 - 35	1.62	4.75	3.96	8	FULL
36113-24	39.05	1.50 - 35	1.62	4.75	3.96	8	FULL
36113-23	33.78	1.50 - 35	1.62	4.75	3.96	8	FULL
36113-22	36.07	1.50 - 35	1.62	4.75	3.96	8	FULL
36113-21	34.85	1.50 - 35	1.62	4.75	3.96	8	FULL
36113-19	40.19	1.50 - 35	1.62	4.75	3.96	8	FULL
36113-18	37.91	1.50 - 35	1.62	4.75	3.96	8	FULL
36113-17	39.44	1.50 - 35	1.62	4.75	3.96	8	FULL
36113-8	37.47	1.50 - 35	1.62	4.75	3.96	8	FULL
36113-7	34.12	1.50 - 35	1.62	4.75	3.96	8	FULL
36113-6	40.77	1.50 - 35	1.62	4.75	3.96	8	FULL
36113-5	37.42	1.50 - 35	1.62	4.75	3.96	8	FULL
36113-1	35.05	1.50 - 35	1.62	4.75	3.96	8	FULL
36166-1	36.20	1.50 - 35	1.62	4.75	3.97	8	FULL
36453-1	39.69	1.50 - 35	1.62	4.47	3.56	8	FULL
36625-1	36.18	1.50 - 35	1.77	3.90	—	-	FULL
37560-4	36.49	1.31 - 30	1.81	4.75	3.96	8	FULL
37560-3	33.77	1.31 - 30	1.81	4.75	3.96	8	FULL
37560-2	36.85	1.31 - 30	1.81	4.75	3.96	8	FULL
37560-1	33.25	1.31 - 30	1.81	4.75	3.96	8	FULL
38378-5	32.22	1.31 - 30	1.81	4.74	3.96	8	FULL
38378-4	37.22	1.31 - 30	1.81	4.74	3.96	8	FULL
38378-3	31.22	1.31 - 30	1.81	4.74	3.96	8	FULL
38378-1	34.21	1.31 - 30	1.81	4.74	3.96	8	FULL
39260-8	37.71	1.31 - 30	1.81	4.75	3.96	8	FULL
39260-7	34.99	1.31 - 30	1.81	4.75	3.96	8	FULL

# REAR AXLE SHAFTS

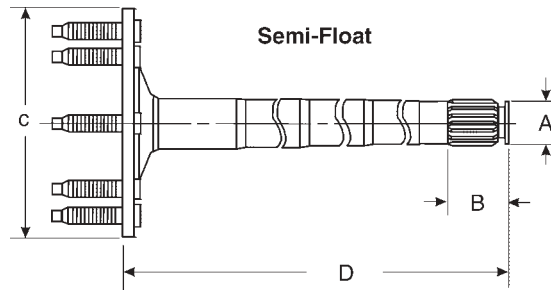
## Dimensions & Components

Complete Shaft Assy. Part Number	Length of Flange Face to End of Shaft	Spline Dia. & Number of Teeth	Spline Length	Flange Diameter	Bolt Circle	Number of Bolts	Float
	D	A	B	C			
39260-5	37.22	1.31 - 30	1.81	4.75	3.96	8	FULL
39260-4	34.51	1.31 - 30	1.81	4.75	3.96	8	FULL
39260-3	35.83	1.31 - 30	1.81	4.75	3.96	8	FULL
39260-2	34.17	1.31 - 30	1.81	4.75	3.96	8	FULL
39260-1	34.62	1.31 - 30	1.81	4.75	3.96	8	FULL
41100-7	36.49	1.50 - 35	1.63	4.47	3.56	8	FULL
41100-6	35.44	1.50 - 35	1.63	4.47	3.56	8	FULL
41100-5	39.34	1.50 - 35	1.63	4.47	3.56	8	FULL
41100-4	38.92	1.50 - 35	1.63	4.47	3.56	8	FULL
41100-3	33.78	1.50 - 35	1.63	4.47	3.56	8	FULL
41100-2	33.35	1.50 - 35	1.63	4.47	3.56	8	FULL
41100-1	39.69	1.50 - 35	1.63	4.47	3.56	8	FULL
42442-1	37.67	1.50 - 35	1.75	5.17	4.33	8	FULL
43286-1	37.67	1.50 - 35	1.75	5.17	4.33	8	FULL
43286-2	38.67	1.50 - 35	1.75	5.17	4.33	8	FULL
43651-1	37.67	1.60 - 37	1.75	5.17	4.33	8	FULL
43651-2	38.67	1.58 - 37	1.75	5.17	4.33	8	FULL
43811-17	37.64	1.37 - 32	1.62	4.72	3.96	8	FULL
43811-16	34.92	1.37 - 32	1.62	4.72	3.96	8	FULL
43811-12	36.71	1.37 - 32	1.62	4.72	3.96	8	FULL
43811-7	40.75	1.37 - 32	1.62	4.72	3.96	8	FULL
43811-6	39.44	1.37 - 32	1.62	4.72	3.96	8	FULL
43811-4	37.40	1.37 - 32	1.62	4.72	3.96	8	FULL
43811-3	36.93	1.37 - 32	1.62	4.72	3.96	8	FULL
43811-1	34.24	1.37 - 32	1.62	4.72	3.96	8	FULL
43965-4	36.76	1.31 - 30	1.81	4.73	3.96	8	FULL
43965-3	37.22	1.31 - 30	1.81	4.73	3.96	8	FULL
43965-2	31.22	1.31 - 30	1.81	4.73	3.96	8	FULL
43965-1	34.17	1.31 - 30	1.81	4.73	3.96	8	FULL
44264-2	39.27	1.58 - 37	1.74	3.90	—	-	FULL
44264-1	36.17	1.58 - 37	1.74	3.90	—	-	FULL
45553-3	36.50	1.50 - 35	1.74	4.74	3.96	8	FULL
45553-2	39.00	1.50 - 35	1.74	4.74	3.96	8	FULL
45553-1	36.65	1.50 - 35	1.74	4.74	3.96	8	FULL
46930-4	43.00	1.50 - 35	1.62	4.74	3.96	8	FULL
46930-3	39.65	1.50 - 35	1.62	4.74	3.96	8	FULL
46930-2	42.47	1.50 - 35	1.62	4.74	3.96	8	FULL
46930-1	40.05	1.50 - 35	1.62	4.74	3.96	8	FULL
47037-2	39.28	1.58 - 37	1.74	5.12	4.25	8	FULL
47037-1	36.19	1.58 - 37	1.74	5.12	4.25	8	FULL
47847-4	38.74	1.50 - 35	1.62	4.88	4.02	8	FULL
47847-3	37.38	1.50 - 35	1.62	4.88	4.02	8	FULL
47847-2	40.24	1.50 - 35	1.62	4.88	4.02	8	FULL
47847-1	38.88	1.50 - 35	1.62	4.88	4.02	8	FULL
47852-1	40.07	1.58 - 37	1.75	6.07	5.22	8	FULL
52033-7	38.96	1.50 - 35	1.75	4.50	3.56	8	FULL
52033-8	40.35	1.50 - 35	1.75	4.50	3.56	8	FULL

# REAR AXLE SHAFTS

## Dimensions & Components

Listed By Part Number



Complete Shaft Assy. Part Number	Length of Flange Face to End of Shaft	Splines Dia. & Number of Teeth	Splines Length	Flange Diameter	Bolt Circle	Number of Bolts	Float
	D			C			
22005X	31.27	1.31 - 30	1.81	6.72	5.50	6	SEMI
22006X	29.27	1.31 - 30	1.81	6.72	5.50	6	SEMI
23243X	30.59	1.31 - 30	1.81	7.06	5.50	6	SEMI
23244X	29.59	1.31 - 30	1.81	6.72	5.50	6	SEMI
24810X	29.53	1.31 - 30	1.81	7.06	5.50	5	SEMI
24820X	29.76	1.31 - 30	1.81	7.06	5.50	5	SEMI
25175X	30.28	1.31 - 30	1.81	7.06	5.50	5	SEMI
25833X	28.28	1.50 - 23	1.62	6.00	4.50	8	SEMI
25834X	29.66	1.50 - 23	1.62	6.00	4.50	5	SEMI
25984-2X	29.78	1.31 - 30	1.81	7.06	5.50	5	SEMI
25984-1X	29.53	1.31 - 30	1.81	7.06	5.50	5	SEMI
26170X	30.09	1.31 - 30	1.81	6.72	5.50	6	SEMI
26171X	30.09	1.31 - 30	1.81	6.72	5.50	6	SEMI
26717X	29.06	1.50 - 35	1.62	6.00	4.50	5	SEMI
26718X	30.11	1.50 - 35	1.62	6.00	4.50	5	SEMI
26762-31X	27.34	1.31 - 30	1.81	7.06	5.50	5	SEMI
26762-22X	26.15	1.31 - 30	1.81	7.06	5.50	5	SEMI
26762-21X	23.32	1.31 - 30	1.81	7.06	5.50	5	SEMI
26762-20X	26.94	1.31 - 30	1.81	7.06	5.50	5	SEMI
26762-19X	22.20	1.31 - 30	1.81	7.06	5.50	5	SEMI
26762-18X	29.24	1.31 - 30	1.81	7.06	5.50	5	SEMI
26762-17X	31.44	1.31 - 30	1.81	7.06	5.50	5	SEMI
26748-1X	29.06	1.50 - 35	1.62	6.00	4.50	5	SEMI
26748X	28.28	1.50 - 35	1.62	6.00	4.50	5	SEMI
26762-14X	28.31	1.31 - 30	1.81	7.06	5.50	5	SEMI
26749X	29.66	1.50 - 35	1.62	6.00	4.50	5	SEMI
26762-9X	34.47	1.31 - 30	1.81	7.06	5.50	5	SEMI
26762-8X	29.47	1.31 - 30	1.81	7.06	5.50	5	SEMI
26762-7X	31.67	1.31 - 30	1.81	7.06	5.50	5	SEMI
26762-6X	25.23	1.31 - 30	1.81	7.06	5.50	5	SEMI
26762-5X	24.69	1.31 - 30	1.81	7.06	5.50	5	SEMI
26762-3X	20.06	1.31 - 30	1.81	7.06	5.50	5	SEMI
26762-2X	25.96	1.31 - 30	1.81	7.06	5.50	5	SEMI
26762-1X	25.58	1.31 - 30	1.81	7.06	5.50	5	SEMI
26821-4X	31.87	1.31 - 30	1.81	7.06	5.50	5	SEMI
26821-3X	30.94	1.31 - 30	1.81	7.06	5.50	5	SEMI
26821-2X	30.13	1.31 - 30	1.81	7.06	5.50	5	SEMI
26821-1X	28.04	1.31 - 30	1.81	7.06	5.50	5	SEMI
26860-2X	34.78	1.50 - 35	1.81	7.06	5.50	5	SEMI

# REAR AXLE SHAFTS

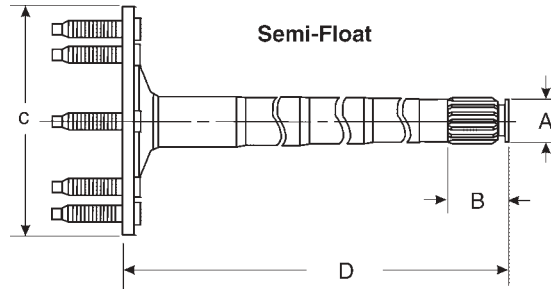
## Dimensions & Components

Complete Shaft Assy. Part Number	Length of Flange Face to End of Shaft	Spline Dia. & Number of Teeth	Spline Length	Flange Diameter	Bolt Circle	Number of Bolts	Float
	D	A	B	C			
26860-1X	28.78	1.50 - 35	1.81	7.06	5.50	5	SEMI
27436X	31.08	1.50 - 35	1.62	6.00	4.50	8	SEMI
27438X	30.11	1.50 - 35	1.62	6.00	4.50	8	SEMI
28497-14X	27.91	1.31 - 30	1.81	7.06	5.50	6	SEMI
28497-13X	30.45	1.31 - 30	1.81	7.06	5.50	6	SEMI
28497-12X	32.45	1.31 - 30	1.81	7.06	5.50	6	SEMI
28497-9X	27.44	1.31 - 30	1.81	7.06	5.50	6	SEMI
28497-8X	29.44	1.31 - 30	1.81	7.06	5.50	6	SEMI
28497-7X	28.81	1.31 - 30	1.81	7.06	5.50	6	SEMI
28497-5X	29.81	1.31 - 30	1.81	7.06	5.50	6	SEMI
28497-4X	34.14	1.31 - 30	1.81	7.06	5.50	6	SEMI
28497-3X	22.78	1.31 - 30	1.81	7.06	5.50	6	SEMI
28497-2X	31.68	1.31 - 30	1.81	7.06	5.50	6	SEMI
28497-1X	25.24	1.31 - 30	1.81	7.06	5.50	6	SEMI
29699-2X	23.06	1.50 - 35	1.62	6.00	4.50	5	SEMI
29699-1X	27.06	1.50 - 35	1.62	6.00	4.50	5	SEMI
29700-2X	24.11	1.50 - 35	1.62	6.00	4.50	5	SEMI
29700-1X	28.11	1.50 - 35	1.62	6.00	4.50	5	SEMI
34551-3	25.87	1.31 - 30	1.81	4.50	3.72	8	SEMI
35455-4	31.82	1.31 - 30	1.81	7.06	5.50	5	SEMI
35455-3	30.94	1.31 - 30	1.81	7.06	5.50	5	SEMI
35455-2	30.13	1.31 - 30	1.81	7.06	5.50	5	SEMI
35455	27.31	1.31 - 30	1.81	7.06	5.50	5	SEMI
35488-19	22.20	1.31 - 30	1.81	7.06	5.50	5	SEMI
35508-2	34.78	1.50 - 35	1.81	7.06	5.50	5	SEMI
35508-1	28.78	1.50 - 35	1.81	7.06	5.50	5	SEMI
36041	31.21	1.31 - 30	1.81	6.37	5.00	5	SEMI
70165-2X	32.61	1.31 - 30	1.81	7.06	5.50	5	SEMI
70165-1X	31.11	1.31 - 30	1.81	7.06	5.50	5	SEMI
70386-2X	32.61	1.31 - 30	1.81	7.06	5.50	5	SEMI
70386-1X	31.11	1.31 - 30	1.81	7.06	5.50	5	SEMI
70416-2X	32.61	1.31 - 30	1.81	7.06	5.50	5	SEMI
70416-1X	31.11	1.31 - 30	1.81	7.06	5.50	5	SEMI
70417-2X	32.61	1.31 - 30	1.81	7.06	5.50	5	SEMI
706028-12X	26.16	1.31 - 30	1.81	7.06	5.50	5	SEMI
706028-11X	34.47	1.31 - 30	1.81	7.06	5.50	5	SEMI
706028-10X	22.19	1.31 - 30	1.81	7.06	5.50	5	SEMI
706028-9X	24.69	1.31 - 30	1.81	7.06	5.50	5	SEMI
706028-8X	23.31	1.31 - 30	1.81	7.06	5.50	5	SEMI
706028-7X	26.94	1.31 - 30	1.81	7.06	5.50	5	SEMI
706028-6X	29.25	1.31 - 30	1.81	7.06	5.50	5	SEMI
706028-5X	31.44	1.31 - 30	1.81	7.06	5.50	5	SEMI
706092-6X	28.81	1.31 - 30	1.81	7.06	5.50	6	SEMI
706092-5X	29.81	1.31 - 30	1.81	7.06	5.50	6	SEMI
706092-4X	34.14	1.31 - 30	1.81	7.06	5.50	6	SEMI
706092-3X	22.78	1.31 - 30	1.81	7.06	5.50	6	SEMI
706092-2X	31.69	1.31 - 30	1.81	7.06	5.50	6	SEMI
706092-1X	25.24	1.31 - 30	1.81	7.06	5.50	6	SEMI

# REAR AXLE SHAFTS

## Dimensions & Components

Listed By Part Number



Complete Shaft Assy. Part Number	Length of Flange Face to End of Shaft	Spline Dia. & Number of Teeth	Spline Length	Flange Diameter	Bolt Circle	Number of Bolts	Float
	D			C			
706162-3X	30.35	1.31 - 30	1.81	7.06	5.50	5	SEMI
706162-2X	28.26	1.31 - 30	1.81	7.06	5.50	5	SEMI
706162-1X	32.04	1.31 - 30	1.81	7.06	5.50	5	SEMI
706587-2X	32.61	1.31 - 30	1.81	7.06	5.50	5	SEMI
706587-1X	31.11	1.31 - 30	1.81	7.06	5.50	5	SEMI
706647-2X	32.61	1.31 - 30	1.81	7.06	5.50	5	SEMI
706647-1X	31.11	1.31 - 30	1.81	7.06	5.50	5	SEMI
706746-4X	34.12	1.50 - 35	1.66	8.00	6.50	8	SEMI
706746-3X	31.41	1.50 - 35	1.66	8.00	6.50	8	SEMI
706746-2X	33.18	1.50 - 35	1.66	8.00	6.50	8	SEMI
706746-1X	30.65	1.50 - 35	1.66	8.00	6.50	8	SEMI
706846-6X	33.20	1.50 - 35	1.66	8.00	6.50	8	SEMI
706846-5X	30.66	1.50 - 35	1.66	8.00	6.50	8	SEMI
706846-4X	34.12	1.50 - 35	1.66	8.00	6.50	8	SEMI
706846-3X	31.41	1.50 - 35	1.66	8.00	6.50	8	SEMI
706846-2X	33.19	1.50 - 35	1.66	8.00	6.50	8	SEMI
706846-1X	30.65	1.50 - 35	1.66	8.00	6.50	8	SEMI
70867-18X	34.14	1.50 - 35	1.66	8.00	6.50	8	SEMI
70867-17X	31.42	1.50 - 35	1.66	8.00	6.50	8	SEMI
70867-16X	33.20	1.50 - 35	1.66	8.00	6.50	8	SEMI
70867-15X	30.66	1.50 - 35	1.66	8.00	6.50	8	SEMI
70867-14X	31.49	1.50 - 35	1.66	8.00	6.50	8	SEMI
70867-13X	31.49	1.50 - 35	1.66	8.00	6.50	8	SEMI
70867-12X	32.76	1.50 - 35	1.66	8.00	6.50	8	SEMI
70867-11X	31.10	1.50 - 35	1.66	8.00	6.50	8	SEMI
70867-8X	31.93	1.50 - 35	1.66	8.00	6.50	8	SEMI
70867-7X	31.05	1.50 - 35	1.66	8.00	6.50	8	SEMI
70867-6X	33.20	1.50 - 35	1.66	8.00	6.50	8	SEMI
70867-5X	30.66	1.50 - 35	1.66	8.00	6.50	8	SEMI
70867-4X	34.14	1.50 - 35	1.66	8.00	6.50	8	SEMI
70867-3X	31.42	1.50 - 35	1.66	8.00	6.50	8	SEMI
70867-2X	33.19	1.50 - 35	1.66	8.00	6.50	8	SEMI
70867-1X	30.65	1.50 - 35	1.66	8.00	6.50	8	SEMI
71017-4X	24.30	1.50 - 35	1.62	6.00	4.50	8	SEMI
71017-3X	22.93	1.50 - 35	1.62	6.00	4.50	8	SEMI
71017-2X	28.30	1.50 - 35	1.62	6.00	4.50	8	SEMI
71017-1X	26.93	1.50 - 35	1.62	6.00	4.50	8	SEMI
71025-2X	32.61	1.31 - 30	1.81	7.06	5.50	5	SEMI
71025-1X	31.11	1.31 - 30	1.81	7.06	5.50	5	SEMI



# REAR AXLE SHAFTS

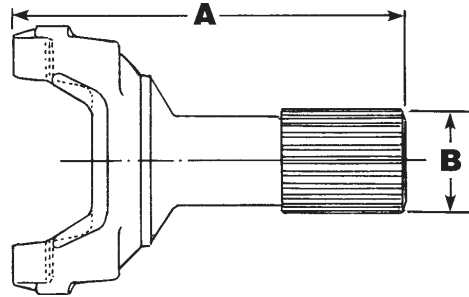
## Dimensions & Components

Complete Shaft Assy. Part Number	Length of Flange Face to End of Shaft	Spline Dia. & Number of Teeth	Spline Length	Flange Diameter	Bolt Circle	Number of Bolts	Float
	D	A	B	C			
71667-2X	28.22	1.50 - 35	1.81	7.06	5.50	6	SEMI
71667-1X	29.22	1.50 - 35	1.81	7.06	5.50	6	SEMI
72384-2X	30.50	1.31 - 30	1.81	5.85	4.75	5	SEMI
72384-1X	29.54	1.31 - 30	1.81	5.85	4.75	5	SEMI
72499-2X	31.34	1.18 - 27	1.50	6.16	4.50	5	SEMI
72499-1X	29.63	1.18 - 27	1.50	6.16	4.50	5	SEMI
72900-2X	30.35	1.25 - 27	1.50	—	4.50	5	SEMI
72900-1X	28.85	1.25 - 27	1.50	—	4.50	5	SEMI
72903-2X	25.29	1.31 - 30	1.81	7.06	5.50	5	SEMI
72903-1X	28.79	1.31 - 30	1.81	7.06	5.50	5	SEMI
72912-2X	30.35	1.18 - 27	1.50	5.94	4.50	5	SEMI
72912-1X	28.85	1.18 - 27	1.50	5.94	4.50	5	SEMI
73107-2X	30.35	1.25 - 27	1.50	—	4.50	5	SEMI
73107-1X	28.85	1.25 - 27	1.50	—	4.50	5	SEMI
73422-2X	30.35	1.18 - 27	1.50	5.94	4.50	5	SEMI
73422-1X	28.85	1.18 - 27	1.50	5.94	4.50	5	SEMI
73499-2X	29.25	1.31 - 30	1.81	5.94	4.50	5	SEMI
73499-1X	29.74	1.31 - 30	1.81	5.94	4.50	5	SEMI
73624-2X	30.54	1.18 - 27	1.38	5.94	4.50	5	SEMI
73624-1X	29.04	1.18 - 27	1.38	5.94	4.50	5	SEMI
73879-2X	30.54	1.18 - 27	1.38	5.94	4.50	5	SEMI
73879-1X	29.04	1.18 - 27	1.38	5.94	4.50	5	SEMI
74356-2X	30.54	1.18 - 27	1.38	5.94	4.50	5	SEMI
74356-1X	29.04	1.18 - 27	1.38	5.94	4.50	5	SEMI
74555-2X	29.56	1.31 - 30	1.81	5.87	4.75	5	SEMI
74555-1X	30.52	1.31 - 30	1.81	5.87	4.75	5	SEMI
74789-2X	30.54	1.18 - 27	1.38	5.94	4.50	5	SEMI
74789-1X	29.04	1.18 - 27	1.38	5.94	4.50	5	SEMI
74871-2X	30.25	1.31 - 30	1.80	5.94	4.50	5	SEMI
74871-1X	29.26	1.31 - 30	1.80	5.94	4.50	5	SEMI
75344-2X	34.13	1.50 - 35	1.65	8.05	6.50	8	SEMI
75344-1X	31.41	1.50 - 35	1.65	8.05	6.50	8	SEMI
75786-2X	29.20	1.31 - 30	1.81	5.94	4.50	5	SEMI
75786-1X	29.70	1.31 - 30	1.81	5.94	4.50	5	SEMI
76002-2X	34.08	1.50 - 35	1.65	7.98	6.50	8	SEMI
76002-1X	31.36	1.50 - 35	1.65	7.98	6.50	8	SEMI
76454-4X	31.34	1.31 - 30	2.76	6.50	5.00	5	SEMI
76454-3X	30.34	1.31 - 30	2.76	6.50	5.00	5	SEMI
76454-2X	32.33	1.31 - 30	2.76	6.50	5.00	5	SEMI
76454-1X	29.34	1.31 - 30	2.76	6.50	5.00	5	SEMI
76467-4X	31.74	1.18 - 27	2.56	6.50	5.00	5	SEMI
76467-3X	30.25	1.18 - 27	2.56	6.50	5.00	5	SEMI
76786-1X	29.28	1.31 - 30	1.80	5.91	4.50	5	SEMI
76786-2X	30.27	1.31 - 30	1.80	5.91	4.50	5	SEMI
84377-1	29.71	1.31 - 30	1.81	5.91	5.00	5	SEMI
84377-2	29.21	1.31 - 30	1.81	5.91	5.00	5	SEMI
85945-2	29.21	1.31 - 30	1.81	5.91	5.00	5	SEMI
85945-1	29.71	1.31 - 30	1.81	5.91	5.00	5	SEMI

# YOKE SHAFTS

## For Independent Rear Suspensions (Corvette & Viper) Dimensions & Components

### Listed By Assembly Number



Complete Shaft Assy. Part Number	Centerline to End of Spline	Spline Dia. & Number of Teeth	Yoke Shaft Part Number	Flinger Number	Series	Use with U-Joint Kit
	A	B				
-	6.70	1.177 - 27	3-82-1001-1	-	1350	5-447X
-	7.23	1.177 - 27	3-82-1001-2	-	1350	5-447X
-	7.27	1.177 - 27	41533-1	-	1350	5-447X
-	6.74	1.177 - 27	41533-2	-	1350	5-447X
-	6.74	1.177 - 27	46822-2	-	1350	5-447X
-	7.27	1.177 - 27	46822-1	-	1350	5-447X
70987-1X	6.57	1.310 - 30	2-82-1491-1	39591	1330	5-213X
70987-2X	7.42	1.310 - 30	2-82-1491-2	39591	1330	5-213X
71090-1X	6.57	1.310 - 30	3-82-961-1	39591	1350	5-178X
71090-2X	7.42	1.310 - 30	3-82-961-2	39591	1350	5-178X
72404-1X	7.36	1.310 - 30	41216-1	41218	1350	5-447X
72404-2X	6.59	1.310 - 30	41216-2	41218	1350	5-447X
74788-1X	7.36	1.310 - 30	45628-1	41218	1350	5-447X
74788-2X	6.59	1.310 - 30	45628-2	41218	1350	5-447X

**Note:** Optional premium U-Joint Kits 1350 Series:

5-800X Aluminum yoke - non-greasable

5-799X Steel Yoke - non-greasable





**Dana Corporation**  
**Heavy Vehicle Technologies and**  
**Systems Service**  
PO Box 321  
Toledo, Ohio 43697-0321  
1-800-SAY-DANA (729-3262)  
[www.dana.com](http://www.dana.com)  
[www.spicerparts.com](http://www.spicerparts.com)  
[www2.dana.com/expert](http://www2.dana.com/expert)

**Dana Corporation**  
**Heavy Vehicle Technologies and**  
**Systems Service - Canada**  
5095 South Service Road  
Beamsville, Ontario LOR 1B0  
Tech Service: (905) 563-4991

**Dana Corporation**  
**Heavy Vehicle Technologies and**  
**Systems Service - International**  
(419) 861-6325

