

## INDUSTRIAL MODULAR FUSE HOLDERS

### PMF INDUSTRIAL MODULAR FUSE HOLDERS

92-94

Modular fuse holders for industrial cylindrical fuse links. For mounting on DIN/EN rail. Single phase models, single-phase+neutral in only one module and multi-pole types. Available with fusing indicator or with microswitch for use with fuse links with striker (only fusing detection or fusing+pre-breaking+ fuse link detection). Multi-pole units can be made of connection accessories. PMF fuse holders are made of self-extinguishable materials and have silver plated copper contacts. UL and CSA approvals.

### PMX INDUSTRIAL MODULAR FUSE HOLDERS

95-96

New modular fuse holder for 14x51 & 22x58 cylindrical fuses. <sup>1</sup> Available in a extended range of different versions with fuse indicator, with microswitch, 690V, 24 V DC, Microswitch FUSING+PRE-BREAKING+FUSE LINK DETECTION. <sup>2</sup> Accessory available to lock the fuse holder by a padlock. <sup>3</sup> IP20 Security accessory in Terminal zones. For wires of section  $\leq 10 \text{ mm}^2$ . <sup>4</sup> All the versions with label holder for a good circuit identification. <sup>5</sup> Compact design. <sup>6</sup> Accessories for Multiple poles assembly for fuse holders and Microswitch. <sup>7</sup> Ventilation zones optimized for a better heat dissipation. <sup>8</sup> 2 position DIN Rail fixation. <sup>9</sup> Made of a polymer high performance with a fusion temperature more than 300 °C. This provides a safety margin against a possible overheating of the fuse, and when it exceeds the rated power acceptance of the fuse holder. <sup>10</sup> The PMX fuse holder can be fixed/unfixed on DIN rail with the same screwing tools that the installer uses for cable terminal fixing, regardless the screw driver head is in form of slot or PZ2. <sup>11</sup> PMX Fuse holder is made of halogen free plastic, prepared for future restrictions on these substances. All these features make the new PMX Fuse holder one of the most complete product in the market.

### PMC COMPACT INDUSTRIAL MODULAR FUSE HOLDERS

97

Compact fuse holders for industrial cylindrical fuse links. Very low dimensions. For mounting on DIN/EN rail. Single phase models or single phase + neutral in only one module. Multi-pole units can be made with connection accessories. PMC fuse holders are made with self-extinguishable materials and have silver plated copper contacts.

### CC CLASS INDUSTRIAL MODULAR FUSE HOLDERS

97

Modular fuse holders for cylindrical CC class fuse links. For mounting on DIN/EN rail. Single phase and multi-pole types. Available with fusing indicator Multi-pole units can be made with connection accessories. CC class fuse holders are made with self-extinguishable materials and have silver plated copper contacts. UL and CSA approvals

### SC SCREW FIXING FUSE HOLDERS

98

Fuse holders for industrial cylindrical fuse links. Screw fixing. Available single-pole and neutrals. SC fuse holders are made with self-extinguishable materials and have silver plated copper contacts.

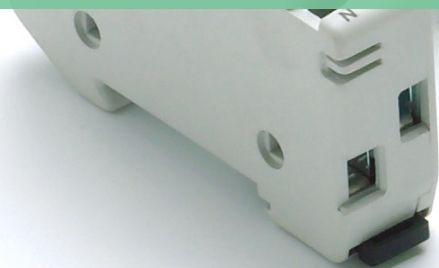
### BAC FUSE HOLDERS

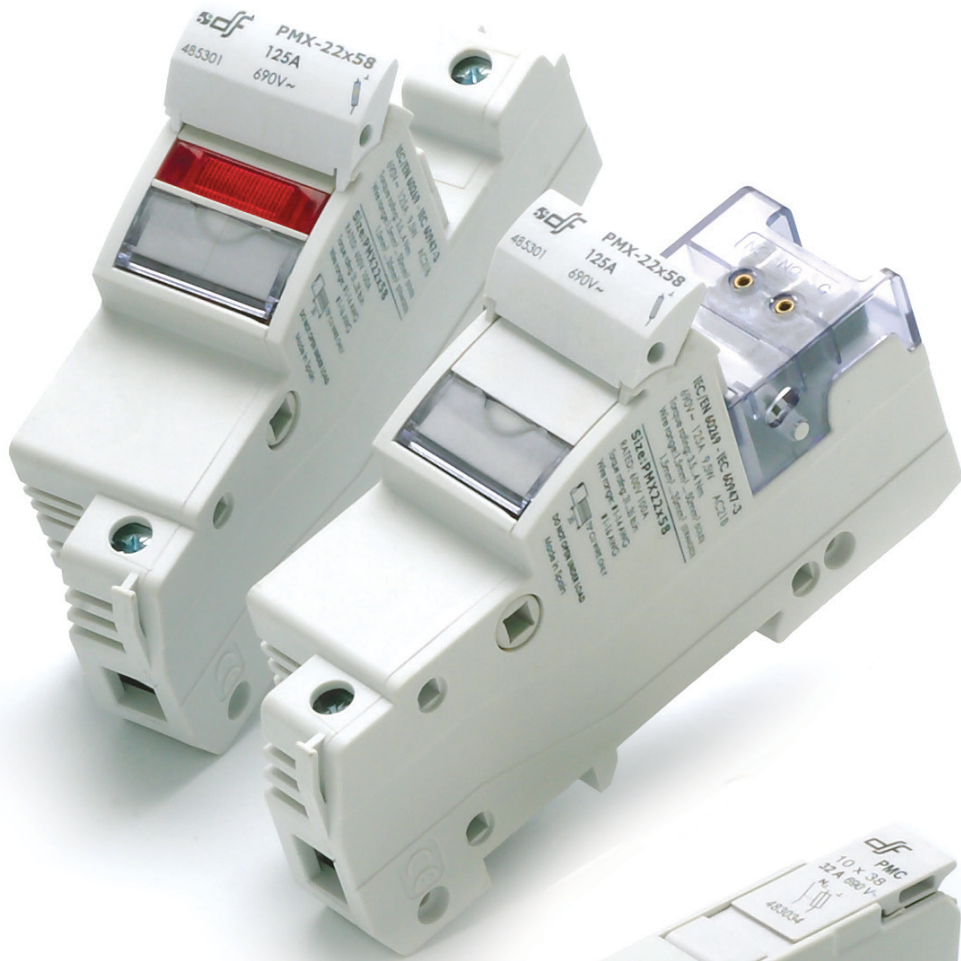
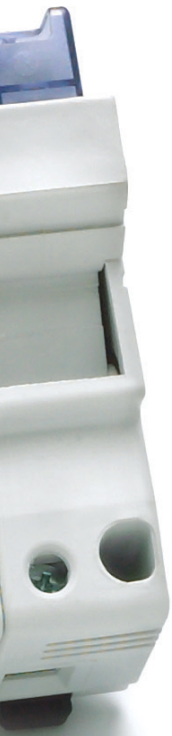
98

Open bases for cylindrical fuses. The bases BAC for cylindrical fuses are particularly suitable for semiconductor fuses with high power dissipation and therefore needed to be mounted on open bases to facilitate the heat dissipation. Fixation on panel by screw. Made of thermosetting self extinguishing material.

### TECHNICAL DATA

99-105





## INDUSTRIAL MODULAR FUSE HOLDERS

PMF INDUSTRIAL MODULAR FUSE HOLDERS

# PMF

### PMF INDUSTRIAL MODULAR FUSE HOLDERS

POLES	MODULES 17,5 mm	REFERENCE		I <sub>n</sub> (A)	U (V)	PACKING Uni./BOX
		WITHOUT INDICATOR	WITH INDICATOR			
<b>8x32</b>						
I	1	480020	480020 I	25	400	12/192
N	1	480032 N	-	32	690	12/192
I + N	1	480125	480125 I	25	400	12/192
I + N	2	480120	480120 I	25	400	6/96
2	2	480220	480220 I	25	400	6/96
3	3	480320	480320 I	25	400	4/64
3 + N	3	480325	480325 I	25	400	4/64
3 + N	4	480420	480420 I	25	400	3/48
4	4	480520	480520 I	25	400	3/48



480020

### 10x38

I	1	480032	480032 I	32	690	12/192
N	1	480032 N	-	32	690	12/192
I + N	1	480135	480135 I	32	400	12/192
I + N	2	480132	480132 I	32	690	6/96
2	2	480232	480232 I	32	690	6/96
3	3	480332	480332 I	32	690	4/64
3 + N	3	480335	480335 I	32	400	4/64
3 + N	4	480432	480432 I	32	690	3/48
4	4	480532	480532 I	32	690	3/48



480135 I

### 14x51

I	1,5	480050	480050 I	50	690	6/90
N	1,5	480050 N	-	50	690	6/90
I + N	3	480150	480150 I	50	690	3/45
2	3	480250	480250 I	50	690	3/45
3	4,5	480350	480350 I	50	690	2/30
3 + N	6	480450	480450 I	50	690	1/20
4	6	480550	480550 I	50	690	1/20



480050 I

### 22x58

I	2	450125	-	125*	690	6/36
N	2	450125 N	-	125*	690	6/36
I + N	4	451125	-	125*	690	3/18
2	4	452125	-	125*	690	3/18
3	6	453125	-	125*	690	2/12
3 + N	8	454125	-	125*	690	1/6
4	8	455125	-	125*	690	1/6



450125

(\* ) 125A intermittent use (100A continuous use)

## INDUSTRIAL MODULAR FUSE HOLDERS

PMF 24VDC  
PMF WITH MICROSWITCH  
PMF ACCESSORIES

# PMF

### PMF 24VDC WITH INDICATOR INDUSTRIAL MODULAR FUSE HOLDERS

POLES	REFERENCE	$I_n$ (A)	U (V)	PACKING
<b>10x38</b>				
I	481032 I	32	24	12
II	481232 I	32	24	12
III	481332 I	32	24	12



481032 I

### PMF WITH MICROSWITCH INDUSTRIAL MODULAR FUSE HOLDERS

POLES	REFERENCE	DESCRIPTION	$I_n$ (A)	U (V)	PACKING Uni./BOX
<b>14x51</b>					
I	480090	PREBREAKING - FUSING - PRESENCE	50	690	6/90
3	480091	PREBREAKING - FUSING - PRESENCE	50	690	2/30
3 + N	480092	PREBREAKING - FUSING - PRESENCE	50	690	1/20
1	480050 M	ONLY FUSING	50	690	6/90
3	480350 M	ONLY FUSING	50	690	2/30
3 + N	480450 M	ONLY FUSING	50	690	1/20



480091

### 22x58

I	480090	PREBREAKING - FUSING - PRESENCE	125*	690	6/36
3	480091	PREBREAKING - FUSING - PRESENCE	125*	690	2/12
3 + N	480092	PREBREAKING - FUSING - PRESENCE	125*	690	1/6

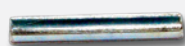
(\* ) 125A intermittent use (100A continuous use)

### PMF ACCESSORIES

SIZE	REFERENCE	DESCRIPTION	PACKING
8x32 - 10x38 - 14x51	480005	PINS FOR MULTIPOLE ASSEMBLY	12
8x32 - 10x38	480006	HANDLE TIES FOR MULTIPOLE ASSEMBLY	12
14x51	480007	HANDLE TIES FOR MULTIPOLE ASSEMBLY	12
14x51 UNIPOLAR	480008	MICROSWITCH/ONLY FUSING	5
14x51 TRIPOLAR	480009	MICROSWITCH/ONLY FUSING	2



480005



480006



480008



480009



## INDUSTRIAL MODULAR FUSE HOLDERS

PMF 1000VDC

new

PMF

PMF 1000VDC INDUSTRIAL MODULAR FUSE HOLDERS  
FOR PHOTOVOLTAIC APPLICATIONS

POLES	MODULES	REFERENCE	DESCRIPTION	$I_n$ (A)	U (V DC)	PACKING Uni./BOX
1	1	481033	SINGLE-POLE	32	1000	12/192
2	2	481233	MULTI-POLE	32	1000	6/96

## 10x38

1	1	481033 I	SINGLE-POLE	32	1000	12/192
2	2	481233 I	MULTI-POLE	32	1000	6/96



481233



481033 I



## STANDARDS

IEC 60269-1 IEC 60947-3  
 IEC 60269-2 EN 60947-3  
 EN 60269-1  
 EN 60269-2

## INDUSTRIAL MODULAR FUSE HOLDERS

PMX  
PMX WITH MICROSWITCH  
PMX ACCESSORIES

new

PMX14

## PMX 14 INDUSTRIAL MODULAR FUSE HOLDERS

POLES	MODULES	REFERENCE		I <sub>n</sub> (A)	U (V)	PACKING Uni./BOX
		WITHOUT INDICATOR	WITH INDICATOR			
<b>14x51</b>						
I	1,5	485201	485208	50	690	6/90
N	1,5	485202	-	50	690	6/90
I + N	3	485203	485209	50	690	3/45
2	3	485204	485210	50	690	3/45
3	4,5	485205	485211	50	690	2/30
3 + N	6	485206	485212	50	690	1/18
4	6	485207	485213	50	690	1/18



485208

## 14x51 24VDC

1	1,5	-	485214	50	24	6/90
1+N	3	-	485215	50	24	3/45
2	3	-	485216	50	24	3/45

## PMX 14 WITH MICROSWITCH INDUSTRIAL MODULAR FUSE HOLDERS

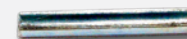
POLES	MODULES	REFERENCE		I <sub>n</sub> (A)	U (V)	PACKING Uni./BOX
		PREBREAKING FUSING - PRESENCE	ONLY FUSION			
<b>14x51</b>						
I	1,5	485220	485226	50	690	6/90
I + N	3	485221	485227	50	690	3/45
2	3	485222	485228	50	690	3/45
3	4,5	485223	485229	50	690	2/30
3+N	6	485224	485230	50	690	1/18
4	6	485225	485231	50	690	1/18



485223

## PMX 14 ACCESSORIES

REFERENCE	DESCRIPTION	PACKING
<b>14x51</b>		
480005	PIN FOR MULTIPOLE ASSEMBLY	12
485356	HANDLE TIES FOR MULTIPOLE ASSEMBLY	12
485357	HANDLE TIES FOR MICROSWITCH ASSEMBLY	12
485258	LOCK SUPPORT	5
485259	MICROSWITCH 1P *	5
485260	MICROSWITCH 3P *	2
485261	MICROSWITCH 3P (2M) *	2
485262	MICROSWITCH UNIPOLAR EXTENSION	5
485263	MICROSWITCH TRIPOLAR EXTENSION	2
485264	REPLACEMENT FUSING INDICATOR NEON 120/690 VAC	3
485265	REPLACEMENT FUSING INDICATOR LED 24 VDC	3
485266	SPECIAL PROTECTION IP20 ACCESSORIE PMX-14	12



485356



480005



485258

(\*) To convert standard base on microswitch base only FUSING and as microswitch PMX spare PREBREAKING- FUSING-PRESENCE

## INDUSTRIAL MODULAR FUSE HOLDERS

PMX  
PMX WITH MICROSWITCH  
PMX ACCESSORIES

new

PMX22

## PMX 22 INDUSTRIAL MODULAR FUSE HOLDERS

POLES	MODULES	REFERENCE		I <sub>n</sub> (A)	U (V)	PACKING Uni./BOX
		WITHOUT INDICATOR	WITH INDICATOR			
<b>22x58</b>						
I	2	485301	485308	125	690	6/36
N	2	485302	-	125	690	6/36
I + N	4	485303	485309	125	690	3/18
2	4	485304	485310	125	690	3/18
3	6	485305	485311	125	690	2/12
3 + N	8	485306	485312	125	690	1/6
4	8	485307	485313	125	690	1/6



485308

## 22x58 24VDC

1	2	-	485314	125	24	6/36
1+N	4	-	485315	125	24	3/18
2	4	-	485316	125	24	3/18

## PMX 22 WITH MICROSWITCH INDUSTRIAL MODULAR FUSE HOLDERS

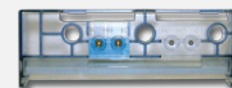
POLES	MODULES	REFERENCE		I <sub>n</sub> (A)	U (V)	PACKING Uni./BOX
		PREBREAKING FUSING - PRESENCE	ONLY FUSION			
<b>22x58</b>						
I	2	485320	485326	125	690	6/36
I + N	4	485321	485327	125	690	3/18
2	4	485322	485328	125	690	3/18
3	6	485323	485329	125	690	2/12
3+N	8	485324	485330	125	690	1/6
4	8	485325	485331	125	690	1/6



485323

## PMX 22 ACCESSORIES

REFERENCE	DESCRIPTION	PACKING
<b>22x58</b>		
480005	PIN FOR MULTIPOLE ASSEMBLY	12
485356	HANDLE TIES FOR MULTIPOLE ASSEMBLY	12
485357	HANDLE TIES FOR MICROSWITCH ASSEMBLY	12
485258	LOCK SUPPORT	5
485259	MICROSWITCH 1P *	5
485260	MICROSWITCH 3P *	2
485261	MICROSWITCH 3P (2M) *	2
485262	MICROSWITCH UNIPOLAR EXTENSION	5
485263	MICROSWITCH TRIPOLAR EXTENSION	2
485264	REPLACEMENT FUSING INDICATOR NEON 120/690 VAC	3
485265	REPLACEMENT FUSING INDICATOR LED 24 VDC	3
485266	SPECIAL PROTECTION IP20 ACCESSORIE PMX-14	12



485360



485366

(\* ) To convert standard base on microswitch base only FUSING and as microswitch PMX spare PREBREAKING- FUSING-PRESENCE

## INDUSTRIAL MODULAR FUSE HOLDERS

PMC  
CC CLASS

## PMC-CC CLASS

## PMC COMPACT INDUSTRIAL MODULAR FUSE HOLDERS

POLES	MODULES 17,5 mm	REFERENCE	$I_n$ (A)	U (V)	PACKING Uni./BOX
<b>8x32</b>					
I	1	483000	25	400	12/336
N	1	483002	32	690	12/336
I + N	1	483004	25	400	12/336
I + N	2	483006	25	400	6/168
2	2	483008	25	400	6/168
3	3	483010	25	400	4/112
3 + N	3	483012	25	400	4/112
3 + N	4	483014	25	400	3/84
4	4	483016	25	400	3/84



483004

**10x38**

I	1	483030	32	690	12/336
N	1	483002	32	690	12/336
I + N	1	483034	32	500	12/336
I + N	2	483036	32	690	6/168
2	2	483038	32	690	6/168
3	3	483040	32	690	4/112
3 + N	3	483042	32	500	4/112
3 + N	4	483044	32	690	3/84
4	4	483046	32	690	3/84



483002













## PMC ACCESSORIES

SIZE	REFERENCE	DESCRIPTION	PACKING
8x31 - 10x38	483050	PINS FOR MULTIPOLE ASSEMBLY	12
8x31 - 10x38	483052	HANDLE TIES FOR MULTIPOLE ASSEMBLY	12



483052

## CC CLASS INDUSTRIAL MODULAR FUSE HOLDERS

POLES	REFERENCE		$I_n$ (A)	U (V)	PACKING Uni./BOX
	WITHOUT INDICATOR	WITH INDICATOR			
I	460008  	460008 I  	30	600	12/192
II	460009  	460009 I  	30	600	6/96
III	460010  	460010 I  	30	600	4/64



460009



## INDUSTRIAL FUSE HOLDERS

SC  
BAC

SC-BAC

## SC SCREW FIXING FUSE HOLDERS

POLES	MODULES 17,5 mm	REFERENCE	$I_n$ (A)	U (V)	PACKING
<b>8x32</b>					
I	1	451025	25	400	12
N	1	451025 N	25	400	12
<b>10x38</b>					
I	1	451032	32	500	12
N	1	451032 N	32	500	12
<b>14x51</b>					
I	1	451050	50	690	12
N	1	451050 N	50	690	12
<b>22x58</b>					
I	1	451100	100	690	6
N	1	451100 N	100	690	6



451032

## BAC FUSE HOLDERS

REFERENCE	$I_n$ (A)	U (V)	PACKING Uni./BOX
<b>10x38</b>			
451210	32	690	20/300
<b>14x51</b>			
451220	50	690	10/240
<b>22x58</b>			
451230	100	690	10/120

new



## INDUSTRIAL MODULAR FUSE HOLDERS

TECHNICAL DATA  
PMF - PMX - PMC - CC CLASSPMF-PMX  
PMC-CC CLASS

## INDUSTRIAL MODULAR FUSE HOLDERS CYLINDRICAL

	PMF 8x31	PMF 10x38	CC CLASS	PMF 14x51	PMF 22x58	PMC 8x31	PMC 10x38	PMX-14	PMX-22
RATED CURRENT (A)	25	32	30	50	125	25	32	50	125
RATED VOLTAGE (V)	400	690	600	690	690	400	690	690	690
RATED POWER DISSIPATION	3 W	3 W	3 W	5 W	9,5 W	3 W	3 W	5 W	9,5 W
UTILIZATION CATEGORY	AC-22B 400V AC-21B 690 V	AC-22B 500V AC-21B 690 V	AC-22B 500V AC-21B 690 V	AC-22B 500V AC-21B 690 V	AC-21B 690 V	AC-20	AC-20	AC-22B 500V AC-21B 690 V	AC-22B 500V AC-21B 690 V
PROTECTION DEGREE	IP-20	IP-20	IP-20	IP-20	IP-20	IP-20	IP-20	IP-20	IP-20
OPERATING TEMPERATURE	-20 ... 70 °C	-20 ... 70 °C	-20 ... 70 °C	-20 ... 70 °C	-20 ... 70 °C	-20 ... 70 °C	-20 ... 70 °C	-20 ... 70 °C	-20 ... 70 °C
STORAGE TEMPERATURE	-40 ... 80 °C	-40 ... 80 °C	-40 ... 80 °C	-40 ... 80 °C	-40 ... 80 °C	-40 ... 80 °C	-40 ... 80 °C	-40 ... 80 °C	-40 ... 80 °C
DERATING TEMPERATURE	20°C 30°C 40°C 50°C	1 0,95 0,9 0,8	1 0,95 0,9 0,8	1 0,95 0,9 0,8	1 0,95 0,9 0,8	1 0,95 0,9 0,8	1 0,95 0,9 0,8	1 0,95 0,9 0,8	1 0,95 0,9 0,8
DERATING N° OF POLES	1-4 5-6 7-9 > 10	1 0,8 0,7 0,6	1 0,8 0,7 0,6	1 0,8 0,7 0,6	1 0,8 0,7 0,6	1 0,8 0,7 0,6	1 0,8 0,7 0,6	1 0,8 0,7 0,6	1 0,8 0,7 0,6
FIXING	•	•	•	•	•	•	•	•	•
RAIL DIN / EN	-	-	-	-	-	-	-	-	-
SCREW	-	-	-	-	-	-	-	-	-
MAX. CONNECTING WIRE	1 x 16 mm <sup>2</sup> STRANDED 1 x 25 mm <sup>2</sup> SOLID	1 x 16 mm <sup>2</sup> STRANDED 1 x 25 mm <sup>2</sup> SOLID	1 x 16 mm <sup>2</sup> STRANDED 1 x 25 mm <sup>2</sup> SOLID	1 x 25 mm <sup>2</sup> STRANDED 1 x 35 mm <sup>2</sup> SOLID	1 x 50 mm <sup>2</sup>	1 x 10 mm <sup>2</sup> STRANDED 1 x 16 mm <sup>2</sup> SOLID	1 x 10 mm <sup>2</sup> STRANDED 1 x 16 mm <sup>2</sup> SOLID	1 x 25 mm <sup>2</sup> STRANDED 1 x 35 mm <sup>2</sup> SOLID	1 x 25 mm <sup>2</sup> STRANDED 1 x 35 mm <sup>2</sup> SOLID
WITH LIGHTNING INDICATOR	120/400V AC 2 Nmm (1P+N 1M) 2 Nmm (1P+N 1M)	120/690V AC 24V DC	120/690V AC 24V DC	230/690V AC	230/690V AC	-	-	230/690V AC 24/60 VDC	230/690V AC 24/60 VDC
MAX. TIGHTENING TORQUE	<sup>2,5</sup> Nm 2 Nmm (1P+N 1M)	<sup>2,5</sup> Nm 2 Nmm (1P+N 1M)	2,5 Nmm	3 Nmm	4 Nmm	2 Nmm	2 Nmm	3 Nmm	4 Nmm
WITH MICROSWITCH 5A-250V	-	-	-	•	-	-	-	•	•
PREBREAKING PRESENCE FUSING	-	-	-	•	•	-	-	•	•
MULTIPOLAR UNION WITH ACCESSORIES	•	•	•	•	-	•	•	•	•
LABEL HOLDER	-	-	-	-	-	-	-	•	•
LOCKING ACCESSORIES	-	-	-	-	-	-	-	•	•

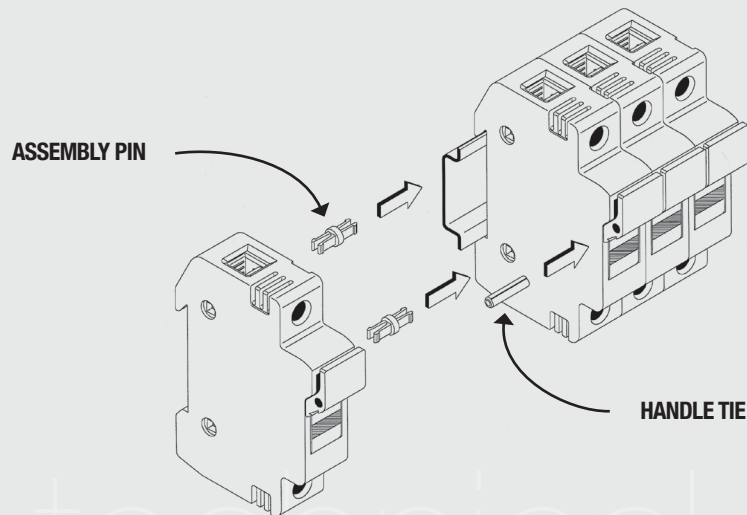
**INDUSTRIAL MODULAR FUSE HOLDERS**

PMF - CC CLASS - PMX FUSE HOLDERS ASSEMBLY  
 PMC FUSE HOLDERS ASSEMBLY

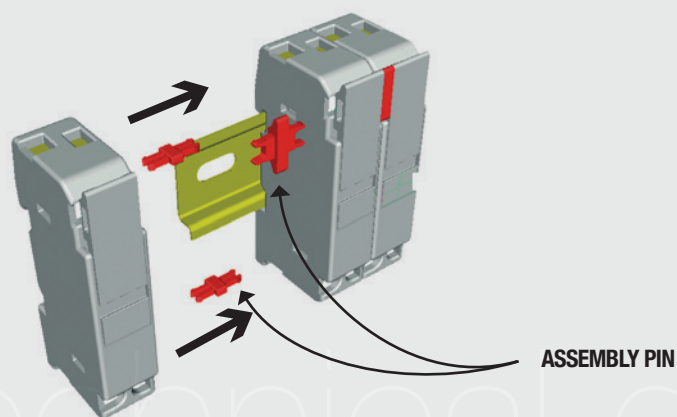
PMF-PMX  
 PMC-CC CLASS

**PMF-CC CLASS-PMX FUSE HOLDERS ASSEMBLY**

PMF(8x32 - 10x38 - 14x51), CC CLASS & PMX FUSE HOLDERS MULTI-POLE ASSEMBLY

**PMC FUSE HOLDERS ASSEMBLY**

PMC FUSE HOLDERS MULTI-POLE ASSEMBLY



For multipole assemblies of fuse holders are necessary several accessories.

Examples:

A bipolar PMF or PMC fuse holder: 2 assembly pins and 1 handle tie.

A three-pole PMF or PMC fuse holder: 4 assembly pins and 2 handle tie.

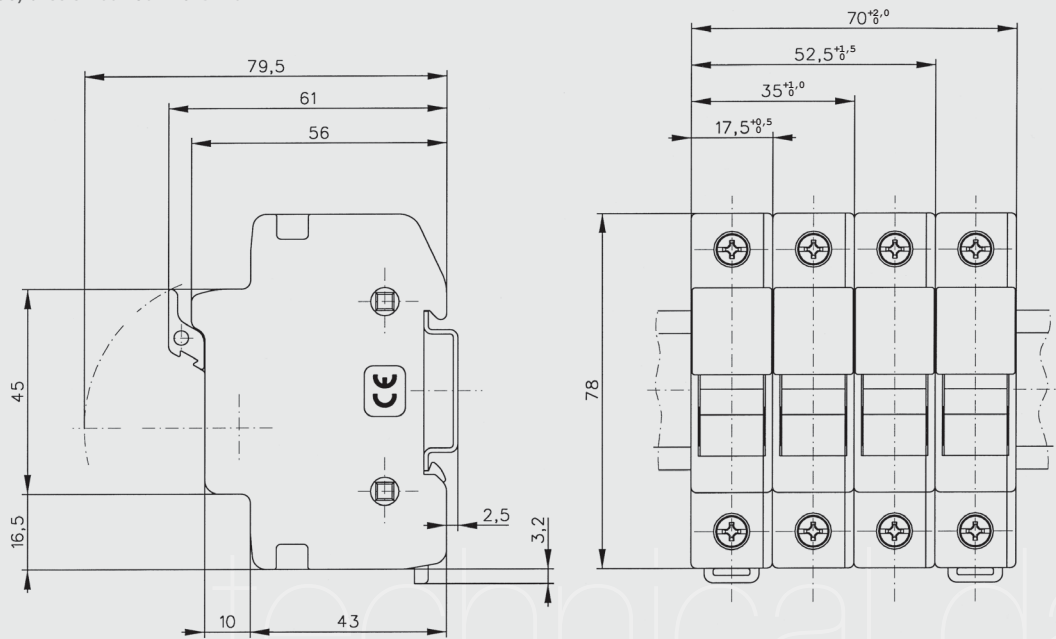
## INDUSTRIAL MODULAR FUSE HOLDERS

DIMENSIONS  
PMF-CC CLASS FUSE HOLDERS

## PMF-CC CLASS

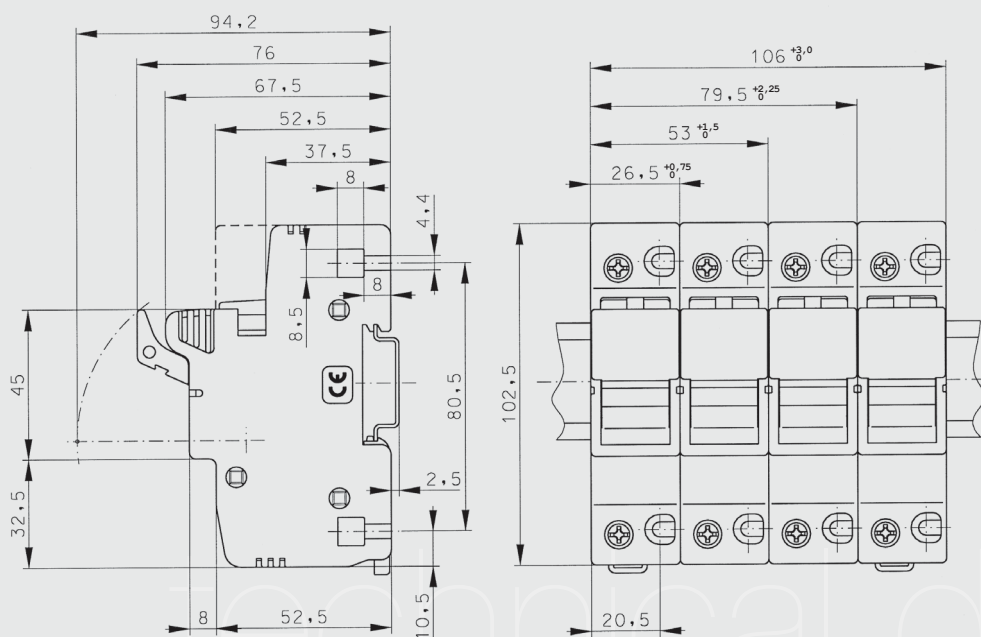
## DIMENSIONS

PMF(8x32 - 10x38) &amp; CC CLASS FUSE HOLDERS



## DIMENSIONS

PMF 14x51 FUSE HOLDERS





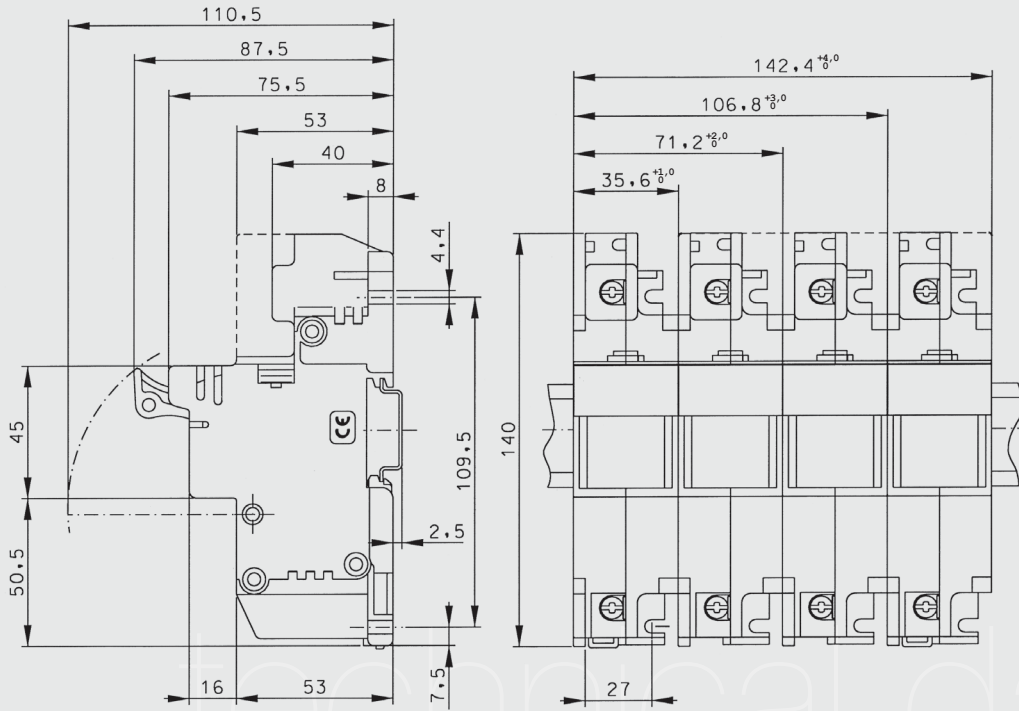
## INDUSTRIAL MODULAR FUSE HOLDERS

DIMENSIONS  
PMF FUSE HOLDERS

# PMF-BAC

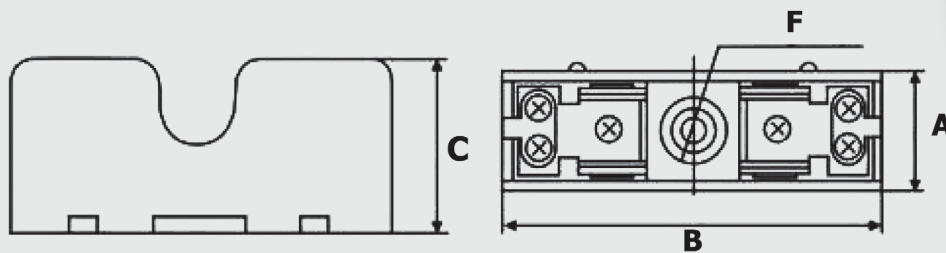
### DIMENSIONS

PMF 22x58 FUSE HOLDERS



### DIMENSIONS

BAC FUSE HOLDERS



SIZE	A	B	C	ØF
10x38	24	81	35	4
14x51	30	91	37	5
22x58	37	108	48	6

## INDUSTRIAL MODULAR FUSE HOLDERS

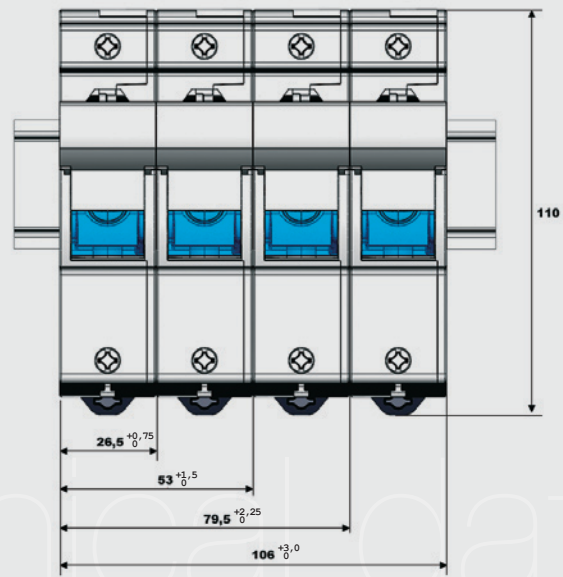
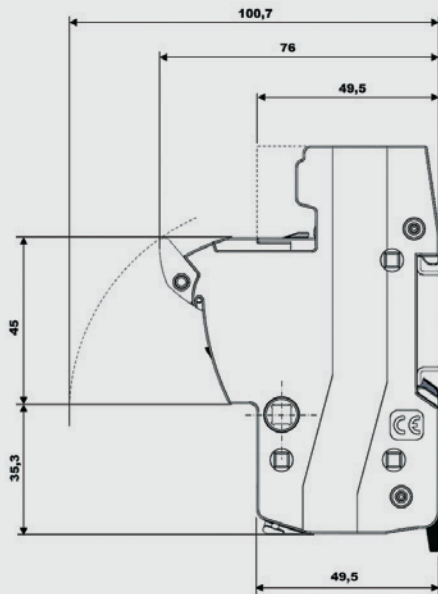
DIMENSIONS  
PMX FUSE HOLDERS

new

PMX

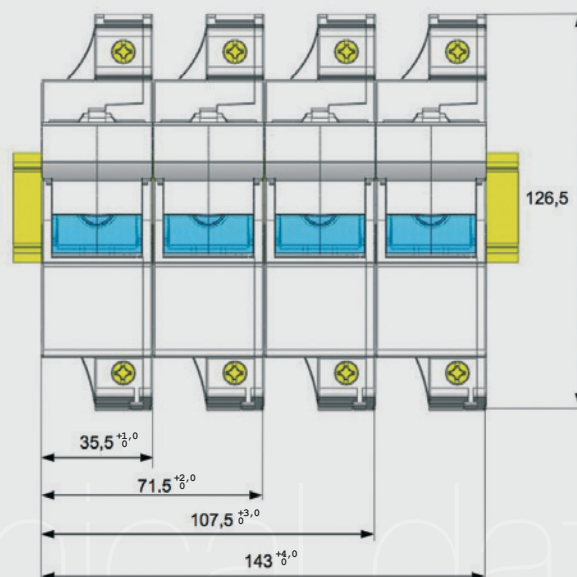
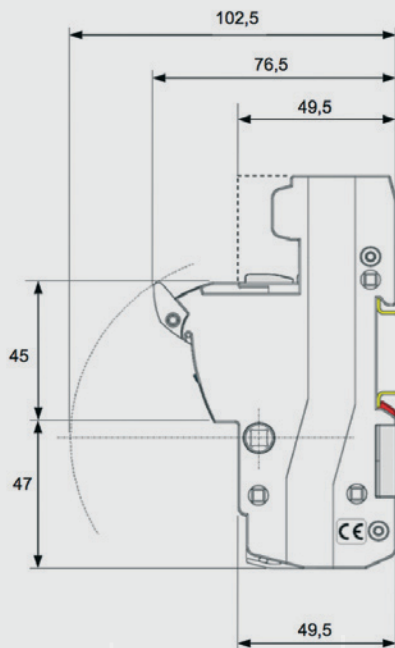
## DIMENSIONS

PMF 14x51 FUSE HOLDERS



## DIMENSIONS

PMF 22x58 FUSE HOLDERS



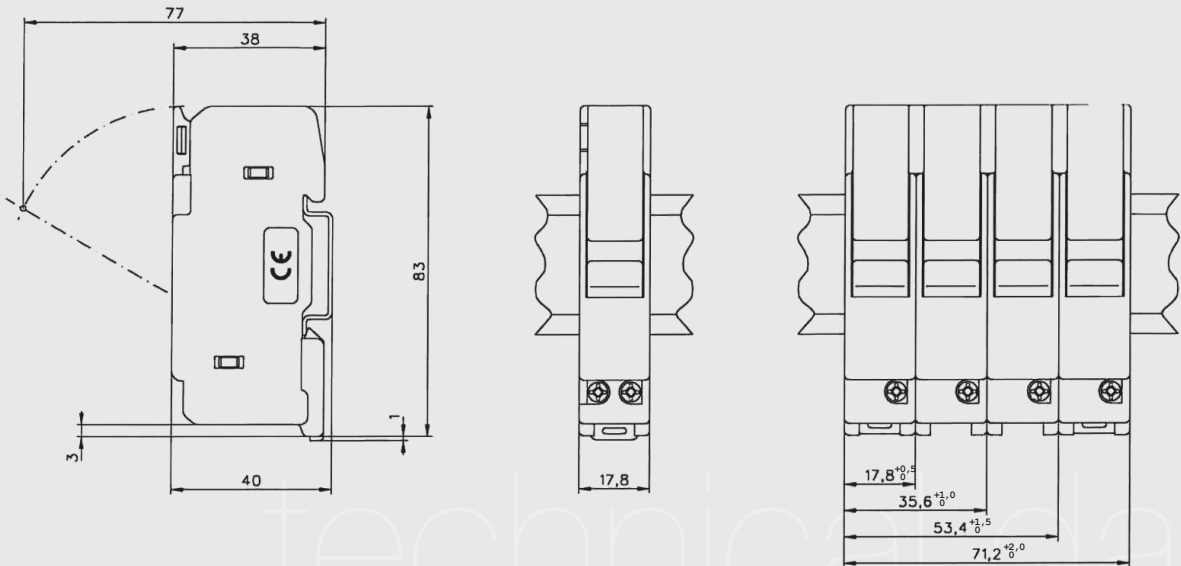
## INDUSTRIAL MODULAR FUSE HOLDERS

DIMENSIONS  
PMC-SC FUSE HOLDERS

PMC-SC

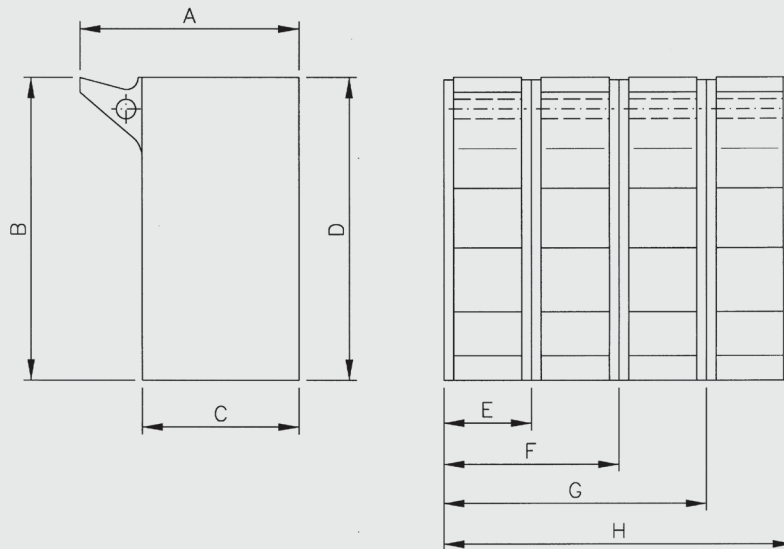
## DIMENSIONS

PMC FUSE HOLDERS



## DIMENSIONS

SC FUSE HOLDERS



SIZE	A	B	C	D	E	F	G	H
8,5x32	45	61	32	61	18	36	54	72
10x38	50	78	34	75	21	42	63	84
14x51	58	98	42	95	30	60	90	120
22x58	71	108	56	108	36	72	108	144

## STANDARDS

IEC 60269-1 IEC 60947-3  
IEC 60269-2 EN 60947-3  
EN 60269-1  
EN 60269-2

## INDUSTRIAL MODULAR FUSE HOLDERS

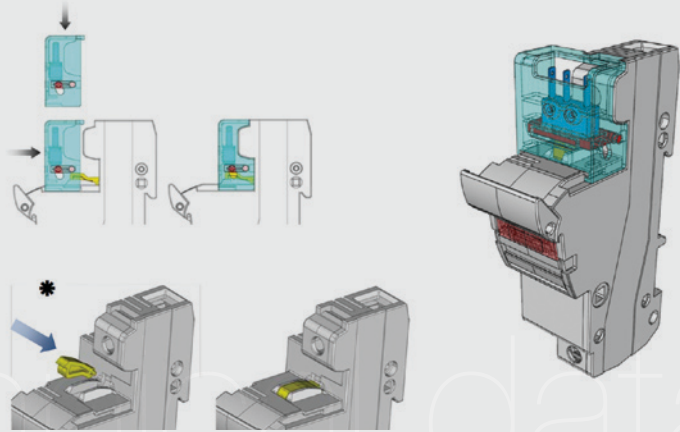
PMX FUSE HOLDERS  
MICROSWITCH MOUNTING  
IDENTIFICATION BY LABEL  
LOCKING MEANS A PADLOCK

PMX

### MICROSWITCH MOUNTING

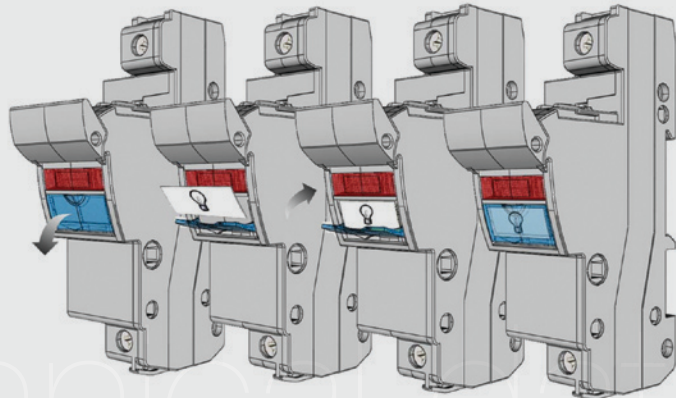
Put on the microswitch on the guides, and push in horizontal movement to the final position.

\* For ONLY FUSION accessory, first mount the lifter in his place.



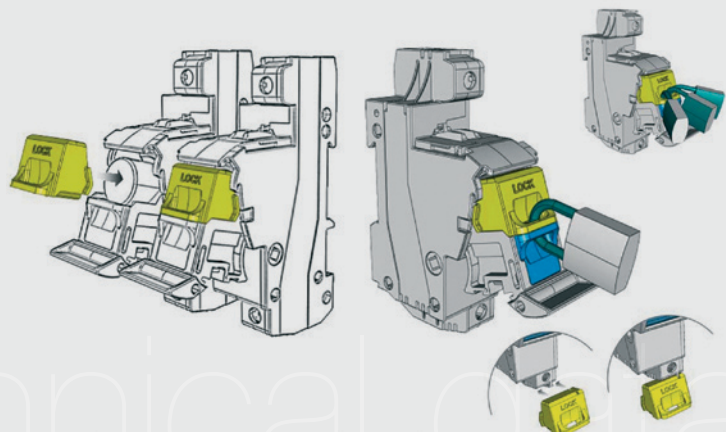
### IDENTIFICATION BY LABEL

Open the label-holder part when the fuse holder is totally closed or totally open, put on the label and close.



### LOCKING MEANS A PADLOCK

To avoid the operation and connection when the fuse holder is open, put on the accessory "Padlock support" sliding it for the guides, and covering the fuse link zone. (Is possible the use with or without fuse link) Introduce the fuse link through the simmetrical holes and close it.





## NH FUSE BASES

### ST NH FUSE BASES 690V

108-109

Fuse bases for NH fuse links. For mounting on DIN/EN rail or with screw fixing. Single-phase or three-pole type. Connection by screws, fixed nut or clamps. Wide range of accessories (contact covers, fuse link covers, partition walls) that enables IP20 protection index. Multi-pole units can be made with connection accessories. NH ST fuse bases are made of self-extinguishable materials and have silver plated copper contacts. There are two contact styles, one of them with double spring in order to obtain an optimum operation. Manufactured according IEC, EN, VDE and DIN standards and have AENOR approval.

### ST WITH MICROSWITCH NH FUSE BASES 690V

110

Fuse bases for NH fuse links with striker. For mounting on DIN/EN rail or screw fixing. Connection by screws. NH ST fuse bases are made with self-extinguishable materials and have silver plated copper contacts with double spring in order to obtain optimum operation. Manufactured according IEC, EN, VDE and DIN standards.

### ST NH FUSE BASES ACCESSORIES

110

NH fuse bases have a wide range of accessories like separation walls, separators, terminal covers, fuse-link covers and microswitch for use with striker versions fuse-links as well as neutral links and replacement handle. The range is completed by bimetallic terminals for the connection of copper or aluminium conductors, with available types for one or two conductors. They are made in tin plated brass with chrome-plated steel screws.

### CR NH FUSE BASES 690V

111

Fuse bases for NH fuse links with striker. For screw fixing. Single-phase or three-pole type. Connection by screws. NH CR fuse bases are made of ceramics and have silver plated copper contacts. There are two contact styles, one of them with double spring in order to obtain an optimum operation. Manufactured according IEC, EN, VDE and DIN standards.

### NH FUSE BASES ACCESSORIES

112

NH fuse bases have a wide range of accessories like separation walls, separators, terminal covers, fuse-link covers and microswitch for use with striker versions fuse-links as well as neutral links and replacement handle. The range is completed by bimetallic terminals for the connection of copper or aluminium conductors, with available types for one or two conductors. They are made in tin plated brass with chrome-plated steel screws.

### SECTIONABLE NEUTRAL NH BASES

113

Neutral bases for mounting on DIN/EN rail or with screw fixing. Connection by screws or clamps. NH00 and NHO can be mounted in NH ST fuse bases with connection accessories. Made of self-extinguishable materials and have silver plated copper contacts.

### BS FUSE SWITCH DISCONNECTORS

114

Three-phase fuse switch disconnectors for NH fuse-links. Available from size 000 to size 3 for board fixing and a model size 00 for mounting on 60 mm busbar system. They provide IP20 protection against contacts and are manufactured in self-extinguishable materials.

### TECHNICAL DATA

115-121

