



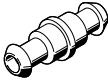
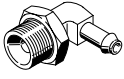
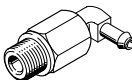



Barbed fittings

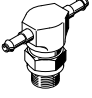

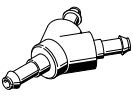
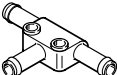
FESTO



Product range overview

Design	Version	Type	Pneumatic connection 1				Pneumatic connection 2		→ Page
			M thread	G thread	Barbed connector	For tubing O.D. [mm]	Barbed connector	For tubing O.D. [mm]	
Straight shape	Barbed fitting with male thread and external hex								
		N	M5	–	–	–	PK-3 PK-4	–	5
	Barbed fitting with male thread and external hex								
		CN	M3	–	–	–	–	3, 4	6
			M5	–				3, 4, 6	
			–	G1/8				4, 6, 8	
			–	G1/4				6, 8	
			–	G3/8				8	
	Barbed fitting with male thread and external hex – stainless steel version								
		CRCN	M5	–	–	–	–	3, 4, 6	7
	–		G1/8	4, 6, 8					
	–		G1/4	6, 8					
	–		G3/8	8					
Barbed bulkhead connector									
	SCN	–	–	–	–	–	3	8	
		4							
		6							
		8							
Barbed tubing connector									
	RTU	–	–	PK-2	–	–	PK-2	9	
		–	PK-3	PK-2, PK-3, PK-4					
		–	PK-4	PK-4, PK-6					
		–	PK-6	PK-6					
L-shape	Barbed elbow fitting with male thread – rotatable 360°								
		LCN	M3	–	–	–	–	3, 4	10
			M5	–				3, 4, 6	
			–	G1/8				4, 6, 8	
			–	G1/4				6, 8	
			–	G3/8				8	
	Barbed elbow fitting with male thread – extended housing part, rotatable 360°								
		LCNH	M5	–	–	–	–	3, 4, 6	12
			–	G1/8				4, 6, 8	
			–	G1/4				6, 8	
	–		G3/8	8					
Barbed L-connector									
	L-PK	–	–	PK-2	–	–	–	14	
		–	PK-3						
		–	PK-4						
		–	PK-6						

Product range overview

Design	Version	Type	Pneumatic connection 1				Pneumatic connection 2		→ Page
			M thread	G thread	Barbed connector	For tubing O.D. [mm]	Barbed connector	For tubing O.D. [mm]	
T-shape	Barbed T-fitting with male thread – rotatable 360°								
		TCN	M3 M5 – – –	– – G1/8 G1/4 G3/8	–	–	–	3, 4 3, 4, 6 4, 6, 8 6, 8 8	15
Barbed T-connector									
		T-PK	–	–	PK-2 PK-3 PK-4 PK-6	–	–	–	16
Y-shape	Barbed Y-connector								
		Y-PK	–	–	PK-2 PK-3 PK-4 PK-6	–	–	–	17
Barbed T-connector									
		FCN	–	–	–	3 4 6 8	–	3, 4 4, 6 6, 8 8	18

Tube mounting/dismounting

Mounting:

1. Hold the tubing as close to the end as possible.
2. Rotate the tubing (approx. 90°) around the nipple axis while attaching it.

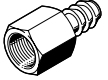
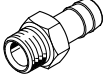

Dismounting:

1. Use a knife to cut off the tubing behind the sealing and support edge. Be careful not to damage the barbed connector on the sealing and support edge.
2. Remove the tubing.

Available accessories

- Connecting pliers ZMS-PK-3/4
→ Internet: zms
Disconnecting pliers ZDS-PK-3, ZDS-PK-4
→ Internet: zds

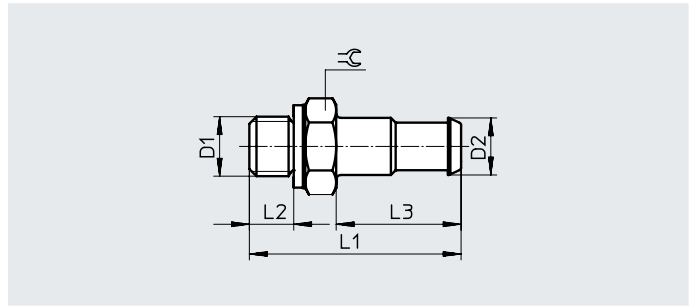
Product range overview

Design	Version	Type	Pneumatic connection D1			Pneumatic connection D2	→ Page
			G thread	R thread	NPT thread	Barbed connector	
Barbed hose fitting							
	C-...-P		G1/8	-	-	PK-6	19
			G1/4	-	-	PK-6, PK-9	
			G3/8	-	-	PK-6, PK-9	
			G1/2	-	-	PK-13	
Barbed hose fitting with sealing ring (aluminium and brass version)							
	N-...-P N-...-MS		G1/8	-	-	PK-6	20
			G1/4	-	-	PK-6, PK-9	
			G3/8	-	-	PK-6, PK-9, PK-13	
			G1/2	-	-	PK-9, PK-13	
			G3/4	-	-	PK-13, PK-19	
			-	R1	-	PK-19	
			-	-	3/4 NPT	PK-19	
-	-	1 1/2 NPT	PK-19				
Hose clip to DIN 3017							
	SK						22

Datasheet

Barbed fitting N

With male thread and external hexagon



General technical data

Design	Straight shape
Mounting position	Any
Type of seal on screwed trunnion	Sealing ring

Operating and environmental conditions

Operating pressure for full temperature range [bar]	-0.95 ... +10
Operating medium	Compressed air to ISO 8573-1:2010 [7:--]
Ambient temperature	-10 - 60 °C
PWIS conformity	VDMA24364-B1/B2-L
Note on the operating/pilot medium	Lubricated operation possible (in which case lubricated operation will always be required)
Corrosion resistance class CRC ¹⁾	1

1) Corrosion resistance class CRC 1 to Festo standard FN 940070

Low corrosion stress. Dry internal application or transport and storage protection. Also applies to parts behind covers, in the non-visible interior area, or parts which are covered in the application (e.g. drive trunnions).

Materials

Housing	Brass
---------	-------

Dimensions and ordering data

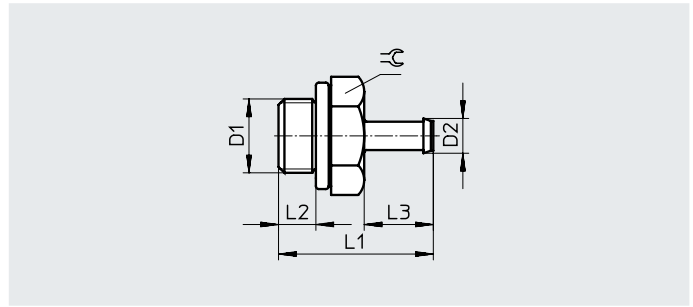
Pneumatic connection	Max. tightening torque	Nominal size	D2	L1	L2	L3	⌀	Weight/piece [g]	Part no.	Type	PU ¹⁾
D1	[Nm]	[mm]									
Metric thread with sealing ring											
M5	PK-3	2.5	3.6	16	3.5	8.5	7	1	4446	N-M5-PK-3	10
	PK-4	2.5	4.8	18	3.5	10.5	7	2	4902	N-M5-PK-4	10

1) Packaging unit

Datasheet

Barbed fitting CN

With male thread and external hexagon



General technical data

Type of seal on screwed trunnion	Sealing ring
----------------------------------	--------------

Operating and environmental conditions

Operating pressure [bar]	-0.95 ... +10
Operating medium	Compressed air to ISO 8573-1:2010 [7:-:-]
Note on the operating/pilot medium	Lubricated operation possible (in which case lubricated operation will always be required)
Ambient temperature [°C]	0 ... +60
Corrosion resistance class CRC ¹⁾	2

1) Corrosion resistance class CRC 2 to Festo standard FN 940070

Moderate corrosion stress. Indoor applications in which condensation can occur. External visible parts with primarily decorative surface requirements which are in direct contact with a normal industrial environment.

Materials

Pneumatic connection 1	Male thread M3	Male thread M5	Male thread G1/8/G1/4/G3/8
Housing	High-alloy steel	Steel	Aluminium
Note on materials	RoHS-compliant		

Dimensions and ordering data

Pneumatic connection		Nominal size	D2	L1	L2	L3	⌀	Part no.	Type	PJ ¹⁾
Male thread	For tubing O.D.	[mm]								
D1	[mm]									
M thread with sealing ring										
M3	3	1.5	2.6	10	3	5	4.5	15871	CN-M3-PK-2	10
	4	1.5	3.4	11	3	6	4.5	15872	CN-M3-PK-3	10
M5	3	1.5	2.95	13.8	3.8	6	7	19521	CN-M5-PK-2	10
	4	2.5	3.6	17.5	3.8	9.7	7	12255	CN-M5-PK-3	10
	6	2.5	4.8	19.5	3.8	11.7	7	12256	CN-M5-PK-4	10
G thread with sealing ring										
G1/8	4	2.5	3.6	20.2	4.9	9.7	13	11944	CN-1/8-PK-3	10
	6	3.2	4.8	22.2	4.9	11.7	13	11945	CN-1/8-PK-4	10
	8	5.3	7	24.5	4.9	14	13	11946	CN-1/8-PK-6	10
G1/4	6	3.2	4.8	24.7	5.8	11.7	17	11947	CN-1/4-PK-4	10
	8	5.3	7	27	5.8	14	17	11948	CN-1/4-PK-6	10
G3/8	8	5.3	7	28	6.8	14	19	11949	CN-3/8-PK-6	10

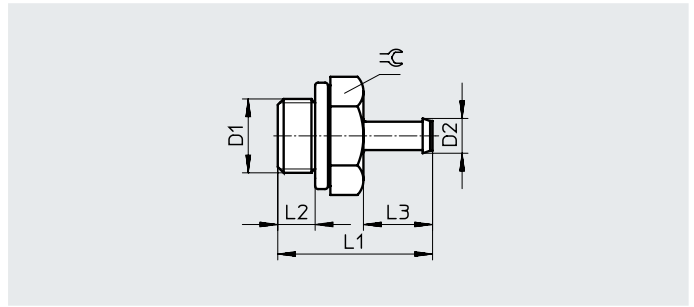
1) Packaging unit

Datasheet

Barbed fitting CRCN

Stainless steel version

With male thread and external hexagon



General technical data

Type of seal on screwed trunnion	Sealing ring
----------------------------------	--------------

Operating and environmental conditions

Operating pressure for entire temperature range [bar]	-0.95 ... +10
Operating medium	Compressed air to ISO 8573-1:2010 [7:-:-]
Note on the operating/pilot medium	Lubricated operation possible (in which case lubricated operation will always be required)
Ambient temperature [°C]	0 ... +60
Corrosion resistance class CRC ¹⁾	2
Food-safe ²⁾	See supplementary material information

1) Corrosion resistance class CRC 2 to Festo standard FN 940070

Moderate corrosion stress. Indoor applications in which condensation can occur. External visible parts with primarily decorative surface requirements which are in direct contact with a normal industrial environment.

2) Additional information: www.festo.com/sp → Certificates.

Materials

Type	CRCN-M5	CRCN-1/8	CRCN-1/4	CRCN-3/8
Housing	High-alloy stainless steel			
Thread seal	High-alloy stainless steel, NBR	Reinforced PA, TPE-U(PU)		
Note on materials	RoHS-compliant			

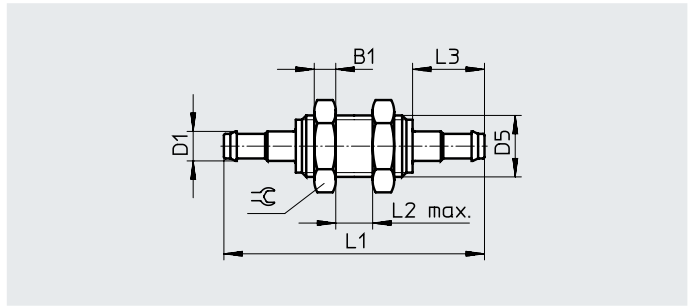
Dimensions and ordering data

Pneumatic connection		Nominal size [mm]	D2	L1	L2	L3	⌀	Weight/piece [g]	Part no.	Type	PU ¹⁾
Male thread	For tubing O.D. [mm]										
D1											
M thread with sealing ring											
M5	3	1.5	2.95	13.8	3.8	6	7	1.8	30985	CRCN-M5-PK-2	10
	4	2.5	3.6	17.5	3.8	9.7	7	1.74	13967	CRCN-M5-PK-3	10
	6	2.5	4.8	19.5	3.8	11.7	7	2.58	13968	CRCN-M5-PK-4	10
G thread with sealing ring											
G1/8	4	2.5	3.6	20.2	4.9	9.7	13	7.52	13969	CRCN-1/8-PK-3	10
	6	3.2	4.8	22.2	4.9	11.7	13	7.86	13970	CRCN-1/8-PK-4	10
	8	5.3	7	24.5	4.9	14	13	7.5	13971	CRCN-1/8-PK-6	10
G1/4	6	3.2	4.8	24.7	5.8	11.7	17	17.73	13972	CRCN-1/4-PK-4	1
	8	5.3	7	27	5.8	14	17	16.5	13973	CRCN-1/4-PK-6	1
G3/8	8	5.3	7	28	6.8	14	19	23.7	13974	CRCN-3/8-PK-6	1

1) Packaging unit

Datasheet

Barbed bulkhead connector SCN



Operating and environmental conditions

Operating pressure [bar]	-0.95 ... +10
Operating medium	Compressed air to ISO 8573-1:2010 [7:-:-]
Note on the operating/pilot medium	Lubricated operation possible (in which case lubricated operation will always be required)
Ambient temperature [°C]	0 ... +60
Corrosion resistance class CRC ¹⁾	2

1) Corrosion resistance class CRC 2 to Festo standard FN 940070

Moderate corrosion stress. Indoor applications in which condensation can occur. External visible parts with primarily decorative surface requirements which are in direct contact with a normal industrial environment.

Materials

Housing	Aluminium
Nut	Galvanised steel
Note on materials	RoHS-compliant

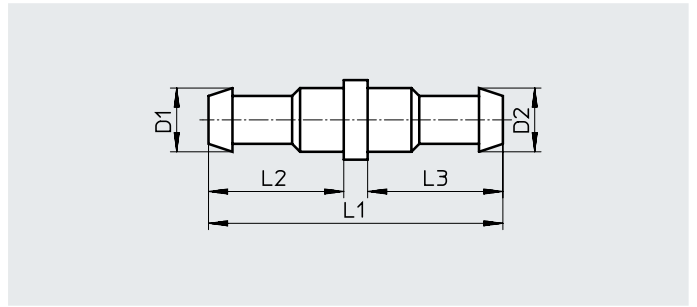
Dimensions and ordering data

Pneumatic connection For tubing O.D. [mm]	Nominal size [mm]	B1	D1	D5	L1	L2	L3	⊖	Weight/ piece [g]	Part no.	Type	PU ¹⁾
3	1.5	2.2	2.95	M4	23.4	6	6	7	1	19528	SCN-PK-2	10
4	1.9	3.2	3.6	M6x0.75	35.3	8	9.7	10	4	11972	SCN-PK-3	10
6	2.8	3.5	4.8	M10x1	42.4	10	11.7	13	7	11973	SCN-PK-4	10
8	4.8	4	7	M12x1	48	10	14	17	10	11974	SCN-PK-6	10

1) Packaging unit

Datasheet

Barbed tubing connector RTU



Operating and environmental conditions

Operating medium	Compressed air to ISO 8573-1:2010 [7:-:-]
Note on the operating/pilot medium	Lubricated operation possible (in which case lubricated operation will always be required)

Materials

Housing	Brass
Note on materials	RoHS-compliant

Dimensions and ordering data

Pneumatic connection		Nominal size [mm]	D1	D2	L1	L2	L3	Weight/ piece [g]	Part no.	Type	PU ¹⁾
PK-2	PK-2	1.5	2.95	2.95	14	6	6	1	19541	RTU-PK-2/2-B	10
PK-3	PK-2	1.5	3.6	2.95	17.7	9.7	6	1	19542	RTU-PK-3/2	10
	PK-3	2.5	3.6	3.6	19	8.5	8.5	1	4805	RTU-PK-3/3	10
	PK-4	2.5	3.6	4.8	20	8.5	10.5	2	4499	RTU-PK-3/4	10
PK-4	PK-4	3.4	4.8	4.8	23	10.5	10.5	2	4806	RTU-PK-4/4	10
	PK-6	3.4	4.8	7	25.5	10.5	13	2	7604	RTU-PK-4/6	10
PK-6	PK-6	5.3	7	7	28	13	13	3	7605	RTU-PK-6/6	10

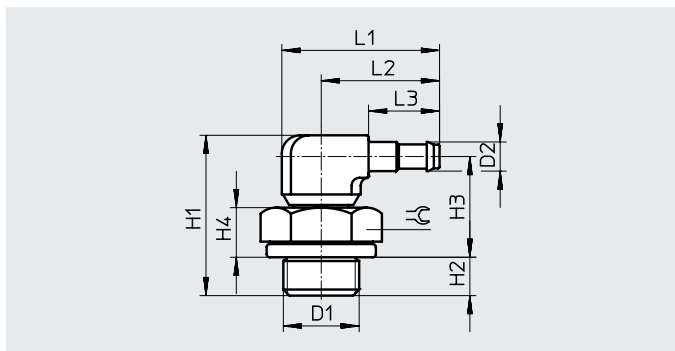
1) Packaging unit

Datasheet

Barbed elbow fitting LCN

With male thread

Rotatable 360°



General technical data

Type of seal on screwed trunnion	Sealing ring
----------------------------------	--------------

Operating and environmental conditions

Operating pressure [bar]	-0.95 ... +10
Operating medium	Compressed air to ISO 8573-1:2010 [7:-:-]
Note on the operating/pilot medium	Lubricated operation possible (in which case lubricated operation will always be required)
Ambient temperature [°C]	0 ... +60
Corrosion resistance class CRC ¹⁾	2

1) Corrosion resistance class CRC 2 to Festo standard FN 940070

Moderate corrosion stress. Indoor applications in which condensation can occur. External visible parts with primarily decorative surface requirements which are in direct contact with a normal industrial environment.

Materials

Pneumatic connection 1	Male thread M3	Male thread M5	Male thread G1/8/G1/4/G3/8
Housing	High-alloy steel	Steel	Aluminium
	Die-cast zinc		
Note on materials	RoHS-compliant		

Dimensions

Pneumatic connection		D2	H1	H2	H3	H4	L1	L2	L3	⌀
Male thread	For tubing O.D. [mm]									
D1										
M thread with sealing ring										
M3	3	2.95	14	2.8	9.2	3.0	12.2	9.6	6	4.5
	4	3.6	15.2	2.8	9.8	3.0	15.9	13.3	9.7	4.5
M5	3	2.95	16	3.8	10.2	4.0	12.2	9.6	6	7
	4	3.6	20.1	3.8	13.7	4.0	18.7	14.7	9.7	7
	6	4.8	21.4	3.8	13.9	4.0	20.7	16.7	11.7	7
G thread with sealing ring										
G1/8	4	3.6	21.2	4.9	13.7	5.6	24	17.5	9.7	13
	6	4.8	22.55	4.9	14.15	5.6	26	19.5	11.7	13
	8	7	24.45	4.9	15.15	5.6	28.5	22	14.2	13
G1/4	6	4.8	25.05	5.8	15.75	7.2	26	19.5	11.7	17
	8	7	26.95	5.8	16.75	7.2	28.5	22	14.2	17
G3/8	8	7	27.95	6.8	16.75	7.2	28.5	22	14.2	19

Datasheet

Ordering data		Nominal size	Weight/piece	Part no.	Type	PU ¹⁾
Pneumatic connection	For tubing O.D.					
Male thread	[mm]	[mm]	[g]			
D1						
M thread with sealing ring						
M3	3	1.3	2	30491	LCN-M3-PK-2-B	10
	4	2.0	2	30982	LCN-M3-PK-3	10
M5	3	1.3	4	19523	LCN-M5-PK-2	10
	4	2.0	5	12257	LCN-M5-PK-3	10
	6	2.9	6	12258	LCN-M5-PK-4	10
G thread with sealing ring						
G1/8	4	2.0	9	11955	LCN-1/8-PK-3	10
	6	2.9	10	11956	LCN-1/8-PK-4	10
	8	4.9	11	11957	LCN-1/8-PK-6	10
G1/4	6	2.9	13	12958	LCN-1/4-PK-4	10
	8	4.9	15	12959	LCN-1/4-PK-6	10
G3/8	8	4.9	20	12960	LCN-3/8-PK-6	10

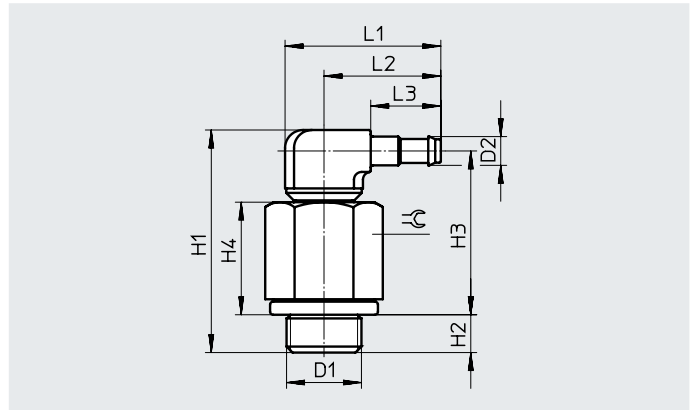
1) Packaging unit

Datasheet

Barbed elbow fitting LCNH

With male thread

Rotatable 360°



General technical data

Type of seal on screwed trunnion	Sealing ring
----------------------------------	--------------

Operating and environmental conditions

Operating pressure [bar]	-0.95 ... +10
Operating medium	Compressed air to ISO 8573-1:2010 [7:-:-]
Note on the operating/pilot medium	Lubricated operation possible (in which case lubricated operation will always be required)
Ambient temperature [°C]	0 ... +60
Corrosion resistance class CRC ¹⁾	2

1) Corrosion resistance class CRC 2 to Festo standard FN 940070

Moderate corrosion stress. Indoor applications in which condensation can occur. External visible parts with primarily decorative surface requirements which are in direct contact with a normal industrial environment.

Materials

Pneumatic connection 1	Male thread M5	Male thread G1/8/G1/4/G3/8
Housing	Steel Die-cast zinc	Aluminium
Note on materials	RoHS-compliant	

Dimensions

Pneumatic connection		D2	H1	H2	H3	H4	L1	L2	L3	⊕
Male thread	For tubing O.D.									
D1	[mm]									
M thread with sealing ring										
M5	3	2.95	26.9	3.8	21.1	14.9	12.2	9.6	6	7
	4	3.6	28.7	3.8	22.3	12.6	18.7	14.7	9.7	7
	6	4.8	30.2	3.8	22.9	12.6	20.7	16.7	11.7	7
G thread with sealing ring										
G1/8	4	3.6	31.8	4.9	24.3	16.2	24	17.5	9.7	13
	6	4.8	33.15	4.9	24.75	16.2	26	19.5	11.7	13
	8	7	35.05	4.9	25.75	16.2	28.5	22	14.2	13
G1/4	6	4.8	35.65	5.8	26.35	17.8	26	19.5	11.7	17
	8	7	37.55	5.8	27.35	17.8	28.5	22	14.2	17
G3/8	8	7	38.55	6.8	27.35	17.8	28.5	22	14.2	19

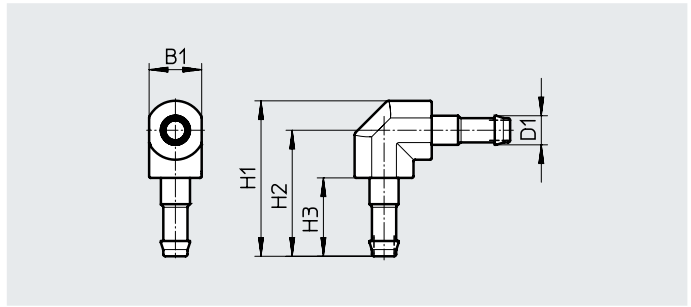
Datasheet

Ordering data		Nominal size	Weight/piece	Part no.	Type	PU ¹⁾
Pneumatic connection	For tubing O.D.					
Male thread	[mm]	[mm]	[g]			
D1						
M thread with sealing ring						
M5	3	1.3	8	35982	LCNH-M5-PK-2	10
	4	2.0	9	35983	LCNH-M5-PK-3	10
	6	2.9	10	35984	LCNH-M5-PK-4	10
G thread with sealing ring						
G1/8	4	2.0	13	35985	LCNH-1/8-PK-3	10
	6	2.9	14	35986	LCNH-1/8-PK-4	10
	8	4.9	16	35987	LCNH-1/8-PK-6	10
G1/4	6	2.9	21	35988	LCNH-1/4-PK-4	10
	8	4.9	22	35989	LCNH-1/4-PK-6	10
G3/8	8	4.9	29	35990	LCNH-3/8-PK-6	10

1) Packaging unit

Datasheet

Barbed L-connector L-PK



Operating and environmental conditions

Operating medium	Compressed air to ISO 8573-1:2010 [7:--:-]
Note on the operating/pilot medium	Lubricated operation possible (in which case lubricated operation will always be required)

Materials

Housing	Brass, POM
Note on materials	RoHS-compliant

Dimensions and ordering data

Pneumatic connection	Nominal size [mm]	B1	D1	H1	H2	H3	Weight/ piece [g]	Part no.	Type	PU ¹⁾
PK-2	1.5	4	2.95	12.2	10.2	6	1	19539	L-PK-2	10
PK-3	2.5	6.5	3.6	19.25	15.6	9.7	1	7473	L-PK-3	10
PK-4	3.4	7.8	4.8	23.1	18.7	11.7	2	9584	L-PK-4	10
PK-6	5.3	10.4	7	31.5	26.3	14	7	150012	L-PK-6	10

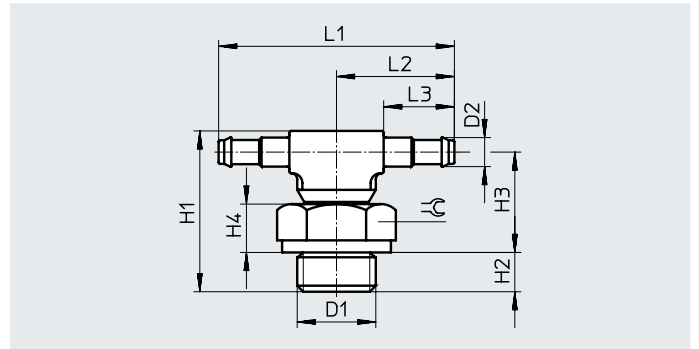
1) Packaging unit

Datasheet

Barbed T-fitting, TCN

With male thread

Rotatable 360°



General technical data

Type of seal on screwed trunnion	Sealing ring
----------------------------------	--------------

Operating and environmental conditions

Operating pressure [bar]	-0.95 ... +10
Operating medium	Compressed air to ISO 8573-1:2010 [7:-:-]
Note on the operating/pilot medium	Lubricated operation possible (in which case lubricated operation will always be required)
Ambient temperature [°C]	0 ... +60
Corrosion resistance class CRC ¹⁾	2

1) Corrosion resistance class CRC 2 to Festo standard FN 940070

Moderate corrosion stress. Indoor applications in which condensation can occur. External visible parts with primarily decorative surface requirements which are in direct contact with a normal industrial environment.

Materials

Pneumatic connection 1	Male thread M3	Male thread M5	Male thread G1/8/G1/4/G3/8
Housing	High-alloy steel	Steel	Aluminium
	Die-cast zinc		
Note on materials	RoHS-compliant		

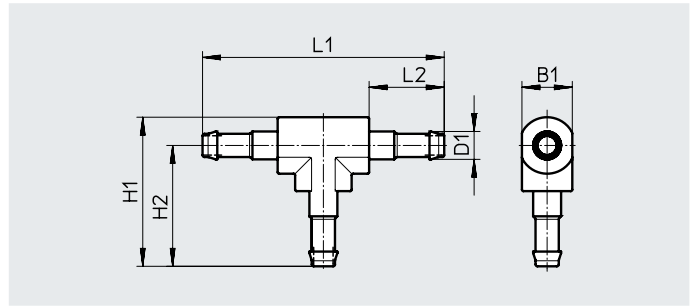
Dimensions and ordering data

Pneumatic connection		Nominal size	D2	H1	H2	H3	H4	L1	L2	L3	⌀	Part no.	Type	PU ¹⁾
Male thread	For tubing O.D.	[mm]												
D1	[mm]	[mm]												
M thread with sealing ring														
M3	3	1.3	2.95	14	2.8	9.2	3.0	19.2	9.6	6	4.5	30492	TCN-M3-PK-2	10
	4	2.0	3.6	15.2	2.8	9.8	3.0	26.6	13.3	9.7	4.5	30983	TCN-M3-PK-3	10
M5	3	1.3	2.95	16	3.8	10.2	4.0	19.2	9.6	6	7	19525	TCN-M5-PK-2	10
	4	2.0	3.6	20.1	3.8	13.7	4.0	29.4	14.7	9.7	7	12259	TCN-M5-PK-3	10
	6	2.9	4.8	18.1	3.8	14.3	4.0	33.4	16.7	11.7	7	12432	TCN-M5-PK-4	10
G thread with sealing ring														
G1/8	4	2.0	3.6	21.2	4.9	13.7	5.6	35	17.5	9.7	13	11961	TCN-1/8-PK-3	10
	6	2.9	4.8	22.55	4.9	14.15	5.6	39	19.5	11.7	13	11962	TCN-1/8-PK-4	10
	8	4.9	7	24.45	4.9	15.15	5.6	44	22	14.2	13	11963	TCN-1/8-PK-6	10
G1/4	6	2.9	4.8	25.05	5.8	15.75	7.2	39	19.5	11.7	17	11964	TCN-1/4-PK-4	10
	8	4.9	7	26.95	5.8	16.75	7.2	44	22	14.2	17	11965	TCN-1/4-PK-6	10
G3/8	8	4.9	7	27.95	6.8	16.75	7.2	44	22	14.2	19	11966	TCN-3/8-PK-6	10

1) Packaging unit

Datasheet

Barbed T-connector T-PK



Operating and environmental conditions

Operating medium	Compressed air to ISO 8573-1:2010 [7:--:-]
Note on the operating/pilot medium	Lubricated operation possible (in which case lubricated operation will always be required)

Materials

Housing	Brass, POM
Note on materials	RoHS-compliant

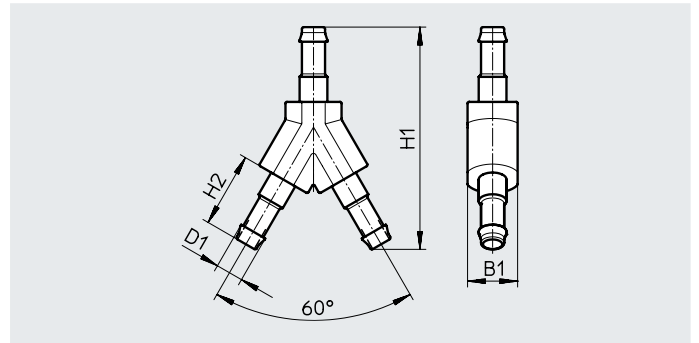
Dimensions and ordering data

Pneumatic connection	Nominal size [mm]	B1	D1	H1	H2	L1	L2	Weight/ piece [g]	Part no.	Type	PU ¹⁾
PK-2	1.5	4	2.95	12.2	10.2	20.4	6	1	30919	T-PK-2	10
PK-3	2.5	6.5	3.6	19.25	15.6	31.2	9.7	2	7267	T-PK-3	10
PK-4	3.4	7.8	4.8	23	18.7	37.4	11.7	3	9585	T-PK-4	10
PK-6	5.3	10.4	7	31.5	26.3	52.6	14	11	150015	T-PK-6	10

1) Packaging unit

Datasheet

Barbed Y-connector Y-PK



Operating and environmental conditions

Operating medium	Compressed air to ISO 8573-1:2010 [7:-:-]
Note on the operating/pilot medium	Lubricated operation possible (in which case lubricated operation will always be required)

Materials

Housing	Brass, POM
Note on materials	RoHS-compliant

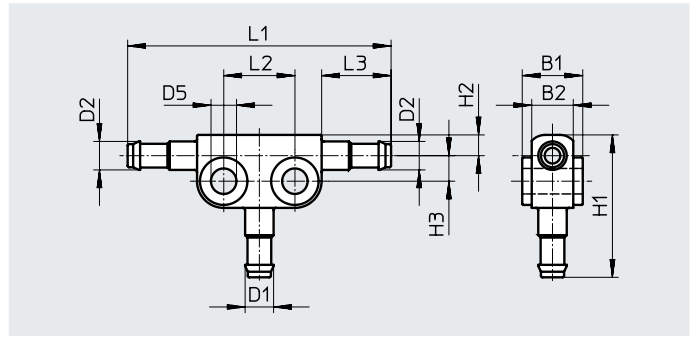
Dimensions and ordering data

Pneumatic connection	Nominal size [mm]	B1	D1	H1	H2	Weight/ piece [g]	Part no.	Type	PU ¹⁾
PK-2	1.5	4	2.95	18	6	1	19540	Y-PK-2	10
PK-3	2.5	6.5	3.6	28.8	9.7	2	7269	Y-PK-3	10
PK-4	3.4	7.8	4.8	34.5	11.7	3	9586	Y-PK-4	10
PK-6	5.3	10.4	7	49.2	14	12	150013	Y-PK-6	10

1) Packaging unit

Datasheet

Barbed T-connector FCN



Operating and environmental conditions

Operating pressure [bar]	-0.95 ... +10
Operating medium	Compressed air to ISO 8573-1:2010 [7:-:-]
Note on the operating/pilot medium	Lubricated operation possible (in which case lubricated operation will always be required)
Ambient temperature [°C]	0 ... +60
Corrosion resistance class CRC ¹⁾	2

1) Corrosion resistance class CRC 2 to Festo standard FN 940070

Moderate corrosion stress. Indoor applications in which condensation can occur. External visible parts with primarily decorative surface requirements which are in direct contact with a normal industrial environment.

Materials

Housing	Die-cast zinc
Note on materials	RoHS-compliant

Dimensions

Pneumatic connection For tubing O.D.		B1	B2	D1	D2	D5	H1	H2	H3	L1	L2	L3
1 [mm]	2 [mm]											
3	3	6	4	2.95	2.95	3.2	15.7	3.1	2.6	28	8	6
	4	8.4	5.2	2.95	3.6	4.3	17.9	3.5	3.9	38.4	10	9.7
4	4	8.4	5.2	3.6	3.6	4.3	21.6	3.5	3.9	38.4	10	9.7
	6	10.2	7	3.6	4.8	4.3	22	3.5	4.3	44.4	12	11.7
6	6	10.2	7	4.8	4.8	4.3	24	3.5	4.3	44.4	12	11.7
	8	12	8.8	4.8	7	4.3	25.9	4.4	5.3	49.4	12	14.2
8	8	12	8.8	7	7	4.3	28.4	4.4	5.3	49.4	12	14.2

Ordering data

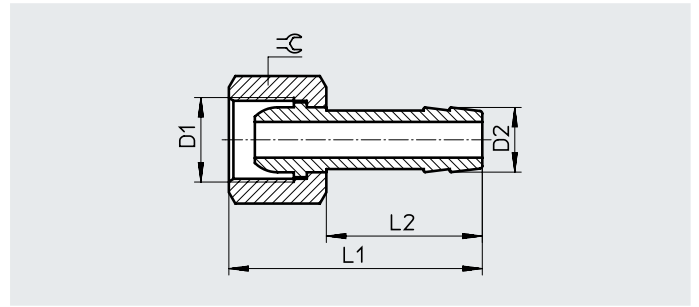
Pneumatic connection For tubing O.D.		Nominal size	Weight/piece	Part no.	Type	PU ¹⁾
1 [mm]	2 [mm]	[mm]	[g]			
3	3	1.3	5	19527	FCN-3-PK-2B	10
	4	1.3	8	31314	FCN-3-PK-3/2	10
4	4	2	8	14768	FCN-3-PK-3	10
	6	2	12	31315	FCN-3-PK-4/3	10
6	6	2.9	12	14769	FCN-3-PK-4	10
	8	2.9	16	31316	FCN-3-PK-6/4	10
8	8	4.9	16	14770	FCN-3-PK-6	10

1) Packaging unit

Datasheet

Barbed hose fitting C-...-P

Plastic tubing is inserted and then secured with a hose clip SK.



Operating and environmental conditions

Operating medium	Compressed air to ISO 8573-1:2010 [7:-:-]
Note on the operating/pilot medium	Lubricated operation possible (in which case lubricated operation will always be required)

Materials

Housing	Brass
---------	-------

Dimensions and ordering data

Pneumatic connection		Nominal size [mm]	D2	L1	L2	≅	Weight/ piece [g]	Part no.	Type	PU ¹⁾
D1		[mm]								
G thread										
G1/8	PK-6	4	7	36	24	13	18	2021	C-1/8-P-6	10
G1/4	PK-6	4.5	7	39	24	17	28	2022	C-1/4-P-6	10
	PK-9	5.5	10	39	24	17	34	2023	C-1/4-P-9	10
G3/8	PK-6	4.5	7	39	24	19	31	2024	C-3/8-P-6	1
	PK-9	6.5	10	39	24	19	34	2025	C-3/8-P-9	1
G1/2	PK-13	11	14.8	50	30	24	64	2026	C-1/2-P-13	1

1) Packaging unit

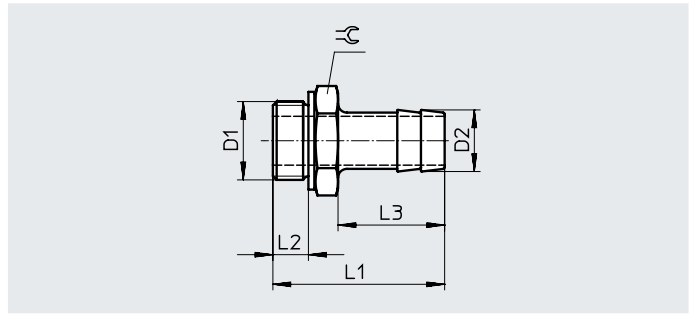
Barbed hose fittings C-P/N-P, for hose clip

Datasheet

Barbed hose fitting N-...-P

Aluminium version

Plastic tubing is inserted and then secured with a hose clip SK.



General technical data

Design	Straight shape
Mounting position	Any
Type of seal on screwed trunnion	Sealing ring (G thread) Coating (R thread and NPT thread)

Operating and environmental conditions

Operating pressure for entire temperature range [bar]	-0.95 ... +16
Operating medium	Compressed air to ISO 8573-1:2010 [7:-:-]
Ambient temperature	-10 - 60 °C
PWIS conformity	VDMA24364-B1/B2-L
Note on the operating/pilot medium	Lubricated operation possible (in which case lubricated operation will always be required)
Corrosion resistance class CRC ¹⁾	2

1) Corrosion resistance class CRC 2 to Festo standard FN 940070

Moderate corrosion stress. Indoor applications in which condensation can occur. External visible parts with primarily decorative surface requirements which are in direct contact with a normal industrial environment.

Materials

Housing	Anodised aluminium
Note on materials	RoHS-compliant

Dimensions and ordering data

Pneumatic connection		Max. tightening torque [Nm]	Nominal size [mm]	Dimensions [mm]					Weight/ piece [g]	Part no.	Type	PU ¹⁾
Male thread	For tubing I.D.			D2	L1	L2	L3	⌀				
D1												
G thread with sealing ring												
G1/8	6	5	4.5	7	34.7	4.9	24.2	13	3.33	3605	N-1/8-P-6	10
G1/4	6	12	4.5	7	37.1	5.8	24.1	17	6.3	3606	N-1/4-P-6	10
	9	12	6.5	10	37.1	5.8	24.1	17	7.14	3607	N-1/4-P-9	1
G3/8	6	15	4.5	7	38.1	6.8	24.1	19	9	3608	N-3/8-P-6	1
	9	15	7.6	10	38.1	6.8	24.1	19	8.77	3609	N-3/8-P-9	1
	13	15	11	14.8	45.4	6.8	30	19	178	36160	N-3/8-P-13	1
G1/2	9	18	8	10.3	39.5	8.15	24	24	15.1	3610	N-1/2-P-9	1
	13	18	11	14.8	45.5	8.15	30	24	15	3611	N-1/2-P-13	1
G3/4	13	40	11	14.8	50	9.05	30	32	31.75	3612	N-3/4-P-13	1
	19	40	16.5	20.8	56	9.05	36	32	33.61	3613	N-3/4-P-19	1
R thread												
R1	19	-	16.5	20.8	68.6	-	36	34	67.6	572260	N-1-P-19	1
NPT thread												
3/4 NPT	19	40	16.5	20.8	66.68	-	36	30.17	44	564848	N-3/4-P-19-NPT	1
1 1/2 NPT	19	-	16.5	20.8	74.0	-	36	34	76.6	572243	N-1-P-19-NPT	1

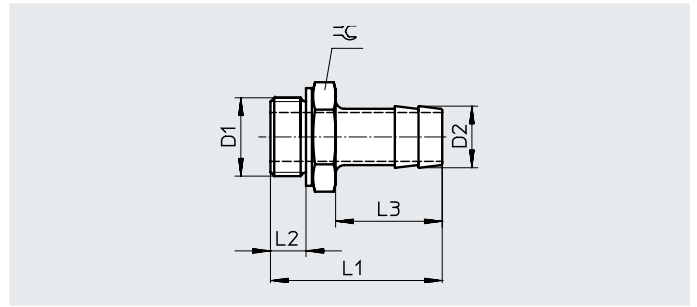
1) Packaging unit

Datasheet

Barbed hose fitting N-...-P-...-MS

Brass version

Plastic tubing is inserted and then secured with a hose clip SK.



General technical data

Design	Straight shape
Mounting position	Any
Type of seal on screwed trunnion	Sealing ring

Operating and environmental conditions

Operating pressure for full temperature range [bar]	-0.95 ... +16
Operating medium	Compressed air to ISO 8573-1:2010 [7:--]
Ambient temperature	-10 - 60 °C
PWIS conformity	VDMA24364-B1/B2-L
Note on the operating/pilot medium	Lubricated operation possible (in which case lubricated operation will always be required)
Corrosion resistance class CRC ¹⁾	1

1) Corrosion resistance class CRC 1 to Festo standard FN 940070

Low corrosion stress. Dry internal application or transport and storage protection. Also applies to parts behind covers, in the non-visible interior area, or parts which are covered in the application (e.g. drive trunnions).

Materials

Housing	Brass
Note on materials	RoHS-compliant

Dimensions and ordering data

Pneumatic connection		Max. tightening torque	Nominal size	Dimensions [mm]					Weight/ piece	Part no.	Type	PU ¹⁾
Male thread	For tubing I.D.			D2	L1	L2	L3	☞				
D1		[Nm]	[mm]						[g]			
G thread with sealing ring												
G1/8	6	5	4.5	7	34.7	4.9	24.2	13	9	15630	N-1/8-P-6-MS	10
G1/4	6	12	4.5	7	37.1	5.8	24.1	17	18	15631	N-1/4-P-6-MS	10
	9	12	6.5	10	37.1	5.8	24.1	17	20	15632	N-1/4-P-9-MS	10
G3/8	6	15	4.5	7	38.1	6.8	24.1	19	26	15633	N-3/8-P-6-MS	10
	9	15	7.6	10	38.1	6.8	24.1	19	25	15634	N-3/8-P-9-MS	10
	13	15	11	14.8	45.4	6.8	30	19	243	36161	N-3/8-P-13-MS	1
G1/2	9	18	8	10.3	39.5	8.15	24	24	44	15635	N-1/2-P-9-MS	1
	13	18	11	14.8	45.5	8.15	30	24	45	15636	N-1/2-P-13-MS	1
G3/4	13	40	11	14.8	50	9.05	30	32	94	15637	N-3/4-P-13-MS	1
	19	40	16.5	20.8	56	9.05	36	32	96	15638	N-3/4-P-19-MS	1

1) Packaging unit

Hose clips SK

Datasheet

Hose clip SK to DIN 3017

The hose clips are provided with a screw thread. 9 mm band width.



Materials

Housing	Steel
---------	-------

Ordering data

Clamping range \varnothing [mm]	Weight/piece [g]	Part no.	Type	PJ ¹⁾
8 ... 16	7	9274	SK-8-16	10
16 ... 27	12	9275	SK-16-27	10
20 ... 32	13	9276	SK-20-32	10

1) Packaging unit