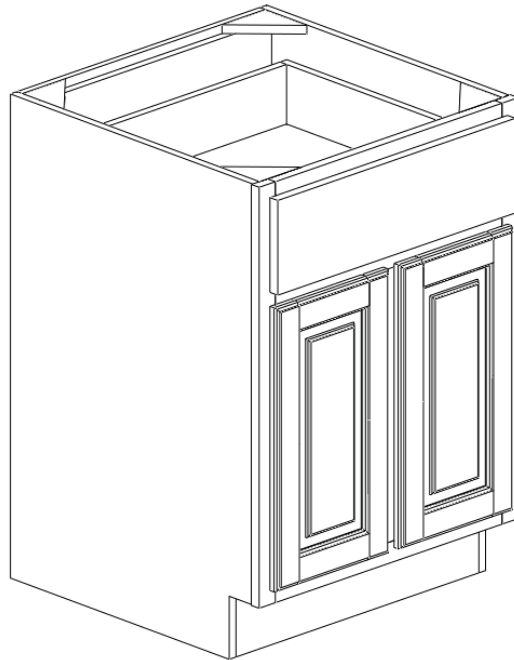


CABINETGIANT®

Base Cabinet



Assembly Guide

More assembly info available at:
www.cabinetgiant.com/assembly

1

CABINETGIANT
The Savings Makes  Smiles.
www.cabinetgiant.com

Hey there! Assembling our cabinets is really simple, but in case you're a little nervous, this guide should help. Simply follow this quick guide and you'll be a cabinet assembly master in no time. It's painless, promise!

Unlike many other ready-to-assemble (RTA) cabinets on the market, ours require NO hot glue guns, NO staple guns, NO bar clamps, or anything more sophisticated than a Phillips screwdriver and rubber mallet. NO KIDDING!

To speed up the assembly process, it can help to use an electric screwdriver. It also helps if two people work together on very large cabinets – one holding the cabinet parts in place, while the other tightens the screws.

Even if you hire your own installer, you've saved thousands by eliminating the middleman fees charged by cabinet companies that maintain expensive showrooms.

Cabinet Giant's maple, oak, bamboo and birch cabinets are shipped to customers with the hinges already secured to the doorframe faces, making your life easier. Our factory also pre-drills and attaches all the cam-locks before shipping the cabinets to you. Doing this saves you a lot of time and makes assembling both easier and more intuitive.

All hardware, mounting brackets, shelves, drawer pulls and screws are provided. A few extra screws are included as well. Dovetailed drawers that are not pre-assembled can be tapped together with a rubber mallet.

As with anything new you do, there's a learning curve. Handy and experienced do-it-yourselfers, as well as total novices are usually able to assemble each of our other RTA cabinets within 10-15 minutes. Ready-to-Assemble cabinets that may take a little longer to assemble include drawer base cabinets, bathroom vanities and lazy susans.

Let's get to it!

Step 1 | Unpack & Organize

 2-4 mins

Place your RTA cabinet panels on a smooth, scratch resistant surface in a large, open area. Some people like to work on a carpeted area; others prefer to elevate the cabinet by placing it on a table top. If you are not using a carpeted area, use the foam sheets and box the cabinet came in to help protect the cabinet from being scratched during assembly.

Next, we'll identify which cool fastening system your cabinets use and learn how it works.

2

Questions?

More assembly info available at:
www.cabinetgiant.com/assembly
or drop us an email at:
support@cabinetgiant.com

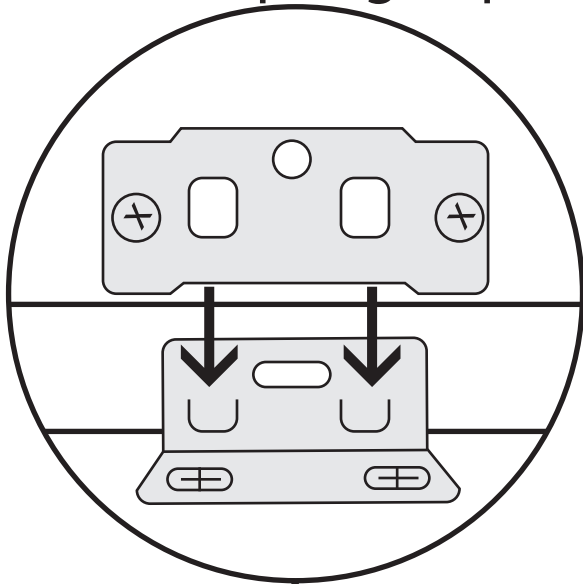
CABINETGIANT
The Savings Makes  Smiles.
www.cabinetgiant.com

Step 2 | Identify Fastening System

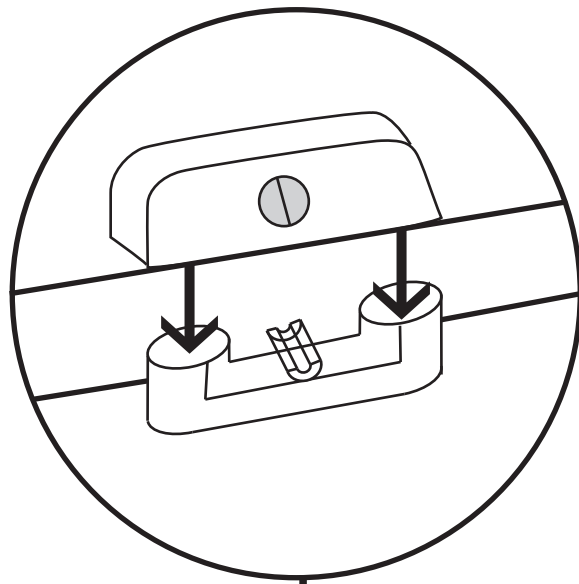
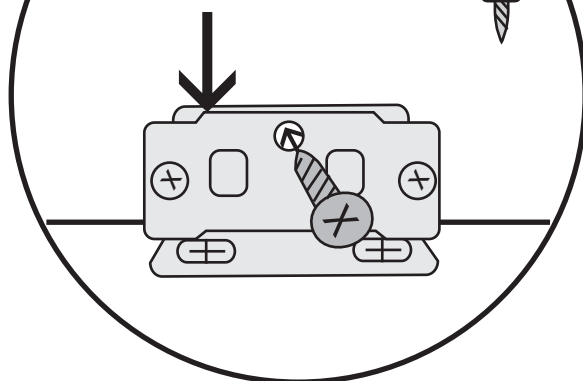
 1 mins

We use several different fastening systems. They are all great, but they attach differently, so let's figure out what you have and how it works. For the rest of the instructions, we'll use the terms 'Steel Spring Clips', or 'Plastic Cams' to reference the fastening systems. They're all over the cabinet, so spotting them is easy.

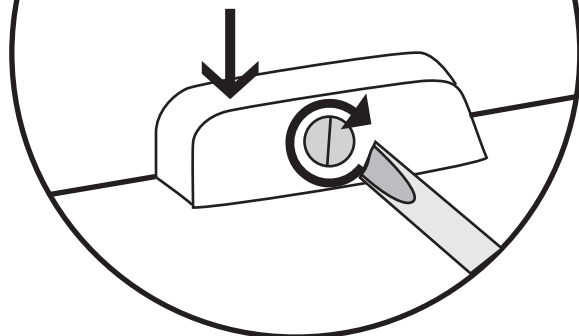
Steel Spring Clips OR Plastic Cams



Pop clip into place
& lock in place using most
plentiful round head screws
in hardware bag



Seat female cam into
place on top of male cam,
then turn metal claw mechanism
180 degrees clockwise with flat head
screwdriver to lock into place



3

Questions?
More assembly info available at:
www.cabinetgiant.com/assembly
or drop us an email at:
support@cabinetgiant.com

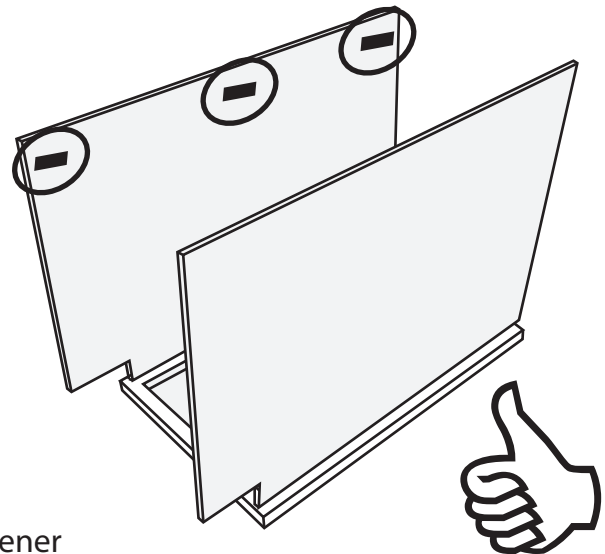
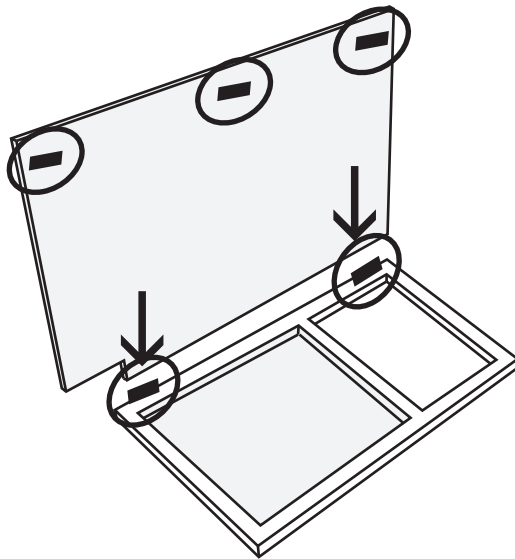
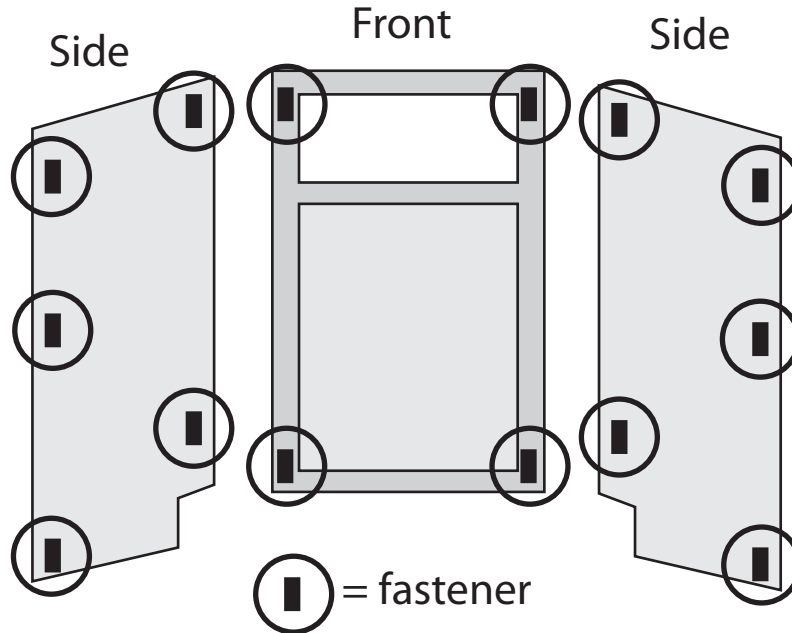
CABINETGIANT
The Savings Makes  Smiles.
www.cabinetgiant.com

Step 3 | Attach Sides To Front

 3-5 mins

Set front of cabinet, face down on your padded work surface.

Line up fasteners on the side of the cabinet with fasteners on the front of the cabinet, locking the fasteners in place. Repeat with other side of the cabinet.



○ = fastener

4

Questions?

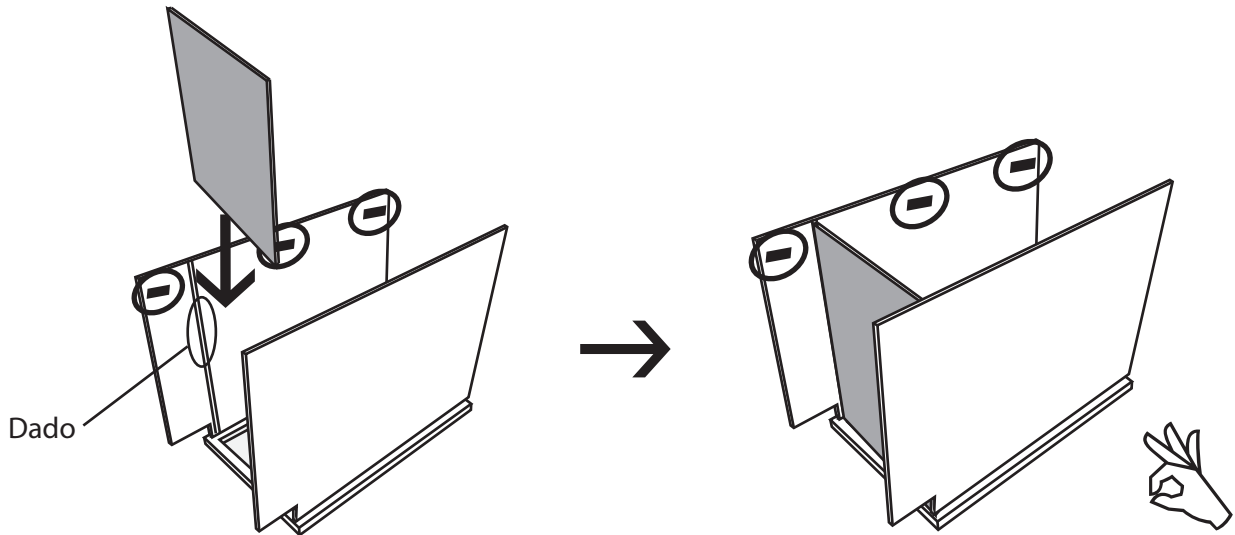
More assembly info available at:
www.cabinetgiant.com/assembly
or drop us an email at:
support@cabinetgiant.com

CABINETGIANT
The Savings Makes  Smiles.
www.cabinetgiant.com

Step 4 | Slide in Floor

⌚ 1 min

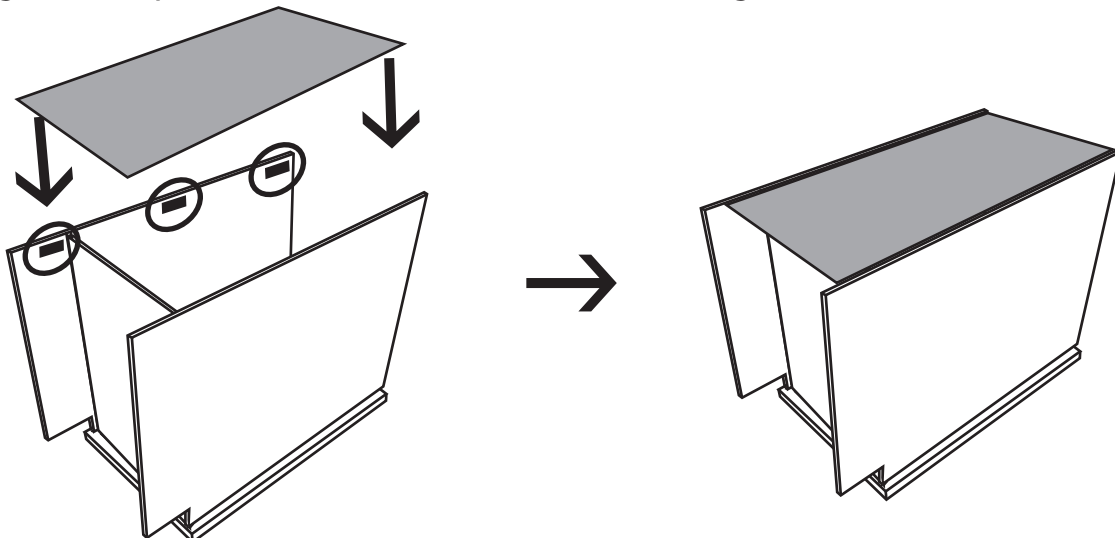
Slide the bottom floor of the cabinet into place using the dado joints (shallow grooves cut out of the sides of the cabinet) as a guide. The floor of the cabinet should be easy to identify because it is usually only finished on one side and should be just a little thinner than the dado joints (remember the prior sentence?) on the side of the cabinet towards the bottom.



Step 5 | Back It Up

⌚ 2 mins

Line the back of the cabinet up with the fasteners on the sides of the cabinet, setting them in place. Lock the back to the sides using the fasteners.



We're getting close...

5

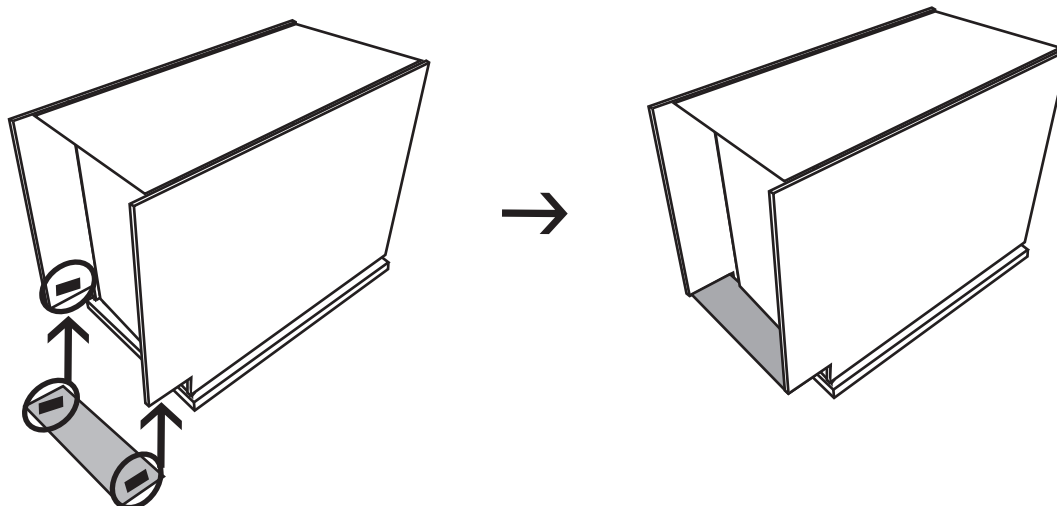
Questions?
More assembly info available at:
www.cabinetgiant.com/assembly
or drop us an email at:
support@cabinetgiant.com

CABINETGIANT
The Savings Makes Smiles.
www.cabinetgiant.com

Step 6 | Toe Kick

⌚ 1 min

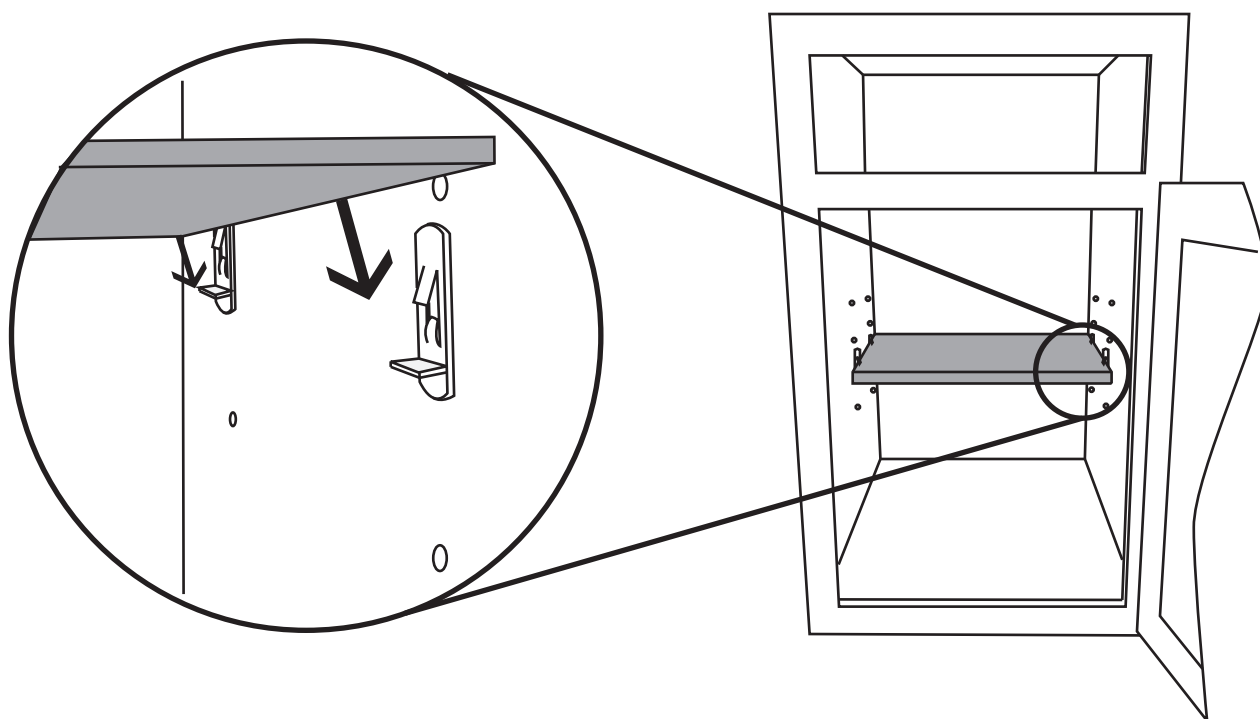
Pop the toe kick into place and use the fasteners to lock it into place.



Step 7 | Shelving

⌚ 1 min

From the hardware bag, put the clear acrylic shelf clips into place. Pop the shelf into position.



6

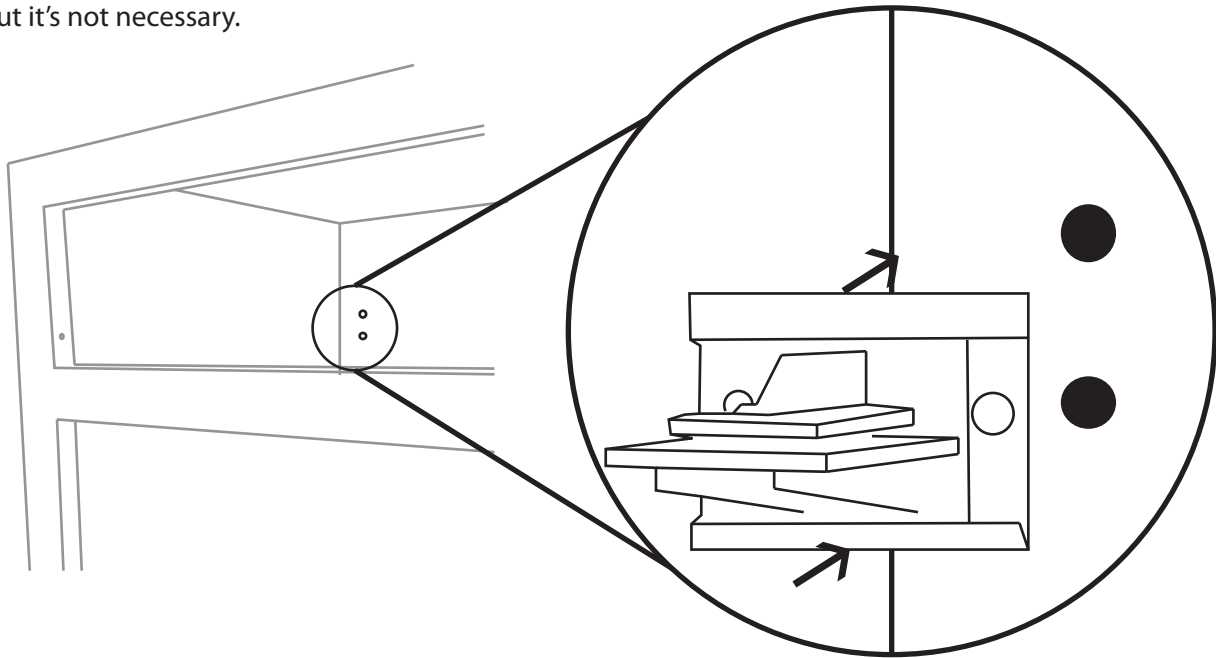
Questions?
More assembly info available at:
www.cabinetgiant.com/assembly
or drop us an email at:
support@cabinetgiant.com

CABINETGIANT
The Savings Makes Smiles.
www.cabinetgiant.com

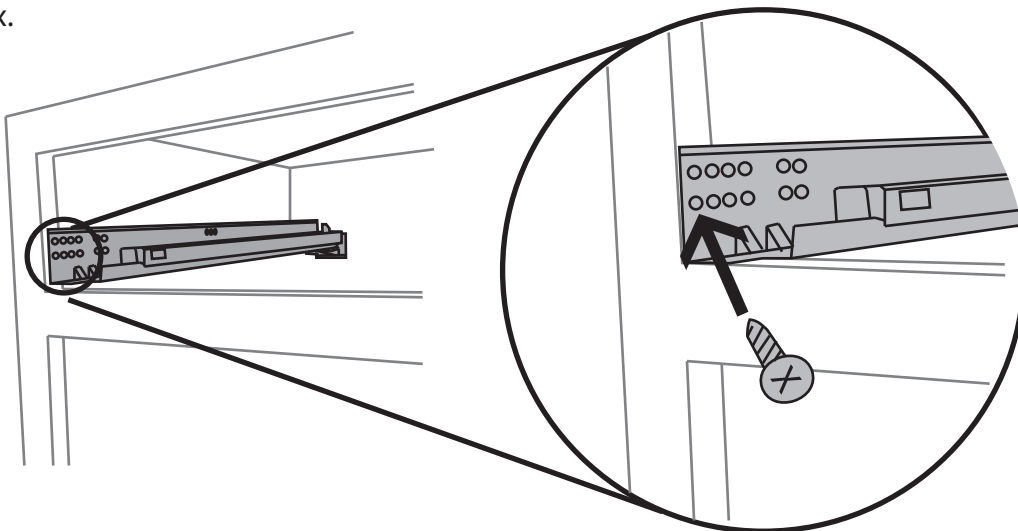
Step 8 | Drawer Glides

 1-2 mins

We use several different types of glides, but for this assembly guide we're covering our most popular soft-close glide. The process is extremely easy. Locate the plastic L-shaped "boot" and place it into the corresponding holes in the back of the cabinet. You can use the supplied optional screws to fix it in place but it's not necessary.



Next, take the metal glide and slide it into the plastic "boot" you just attached to the back of the cabinet. Line the front of the glide so it's flush with the front of the frame (and pre-drilled hole in frame), using a small supplied 7/16" flathead screws to hold everything in place. Repeat on other side of cabinet. **Note:** Save the orange & blue clips for a later step. They mount to the drawer box.



You're doing a great job!

7

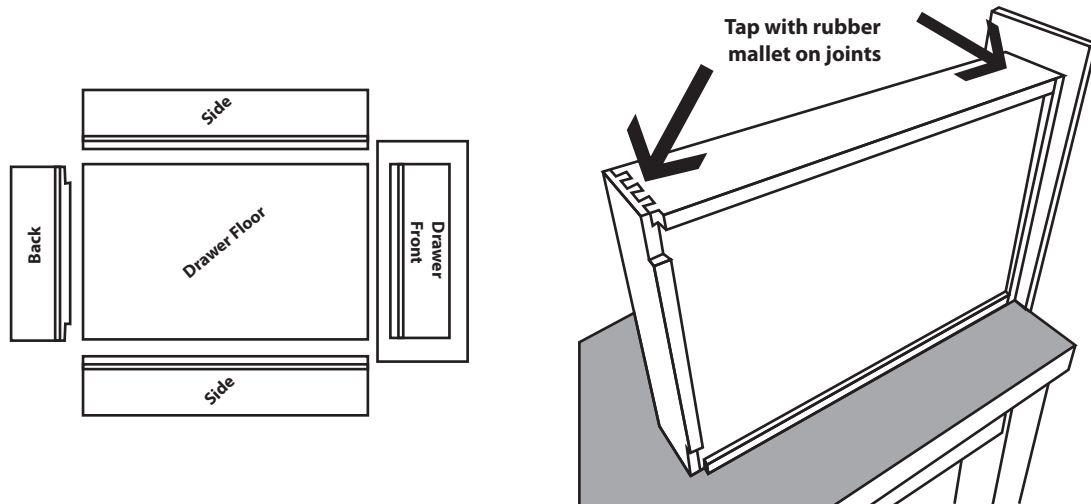
Questions?
More assembly info available at:
www.cabinetgiant.com/assembly
or drop us an email at:
support@cabinetgiant.com

CABINETGIANT
The Savings Makes  Smiles.
www.cabinetgiant.com

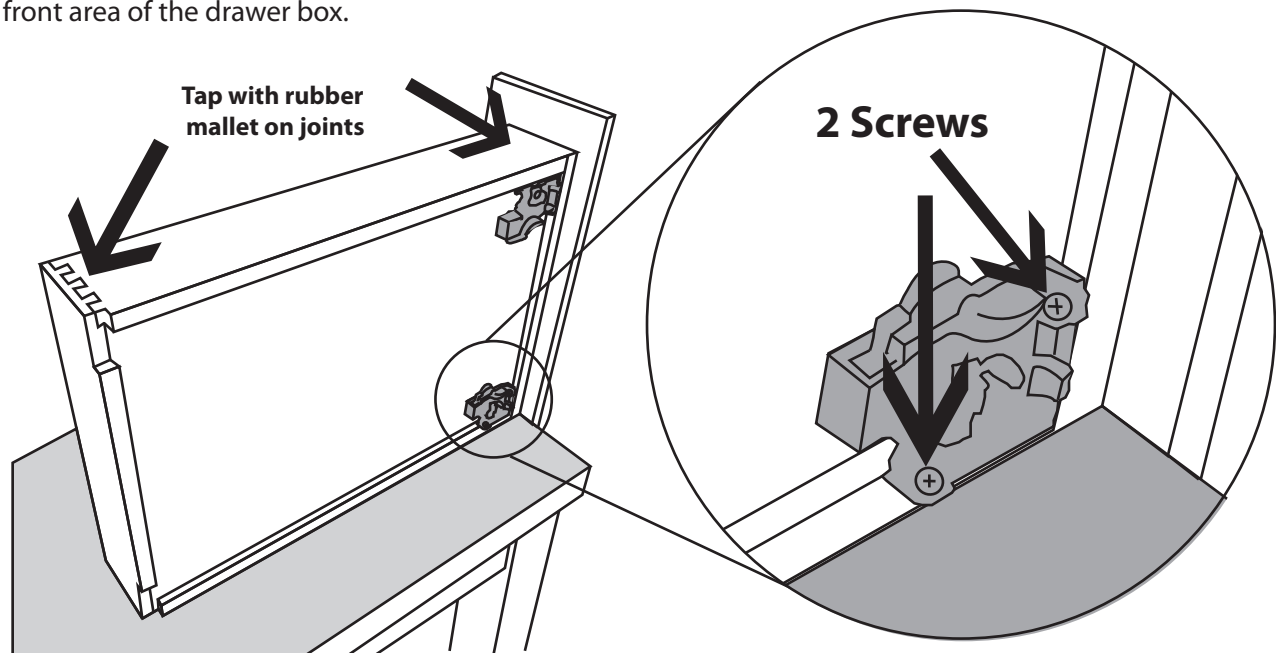
Step 9 | Put on your drawers

 3 min

There are five pieces that make up the drawer. If your drawers don't have dovetail joints, then simply line up the pieces as shown below and use supplied 1¼" screws and the pre-drilled holes to fasten all the parts together. If your drawers use dovetail joints, then good news, no screws necessary! Line up all the parts, hanging the front of the drawer over a padded counter-like surface. Take a rubber mallet and gently coax the dovetail joints together until flush. Note: You can apply wood glue to the joints at this step, but normally the joints are tight enough that it's not necessary.



Now, you're going to use those fancy orange & blue clips we saved from earlier. Simply line them up as shown and use the stainless steel screws that came packaged with the clips to fasten them to the bottom front area of the drawer box.

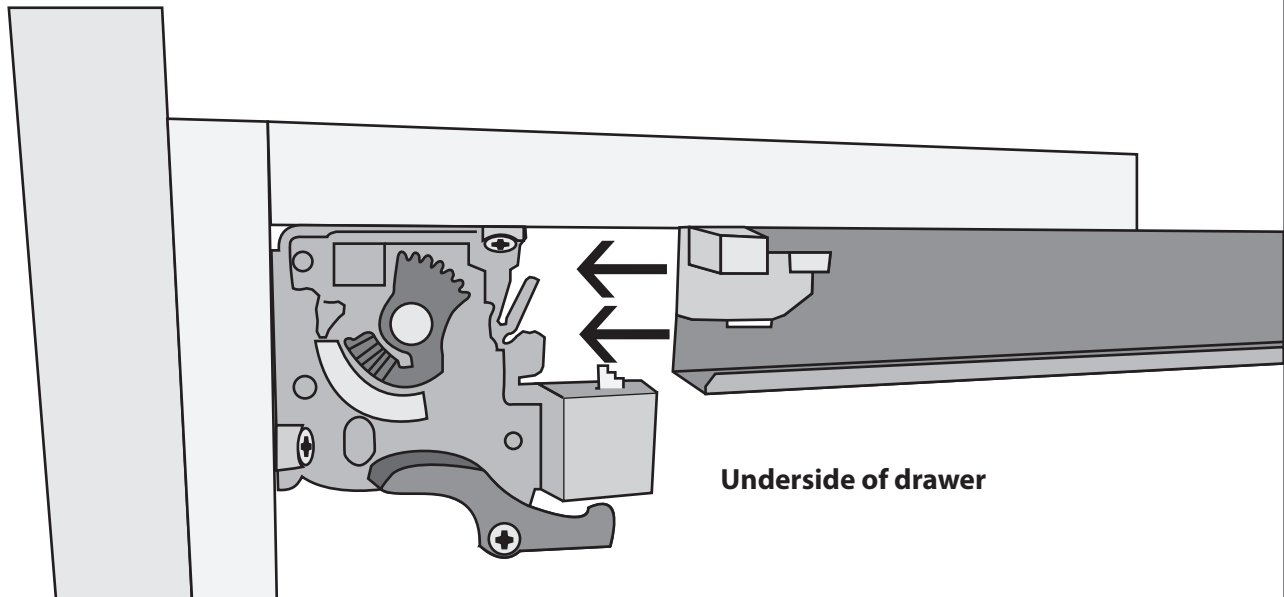


8

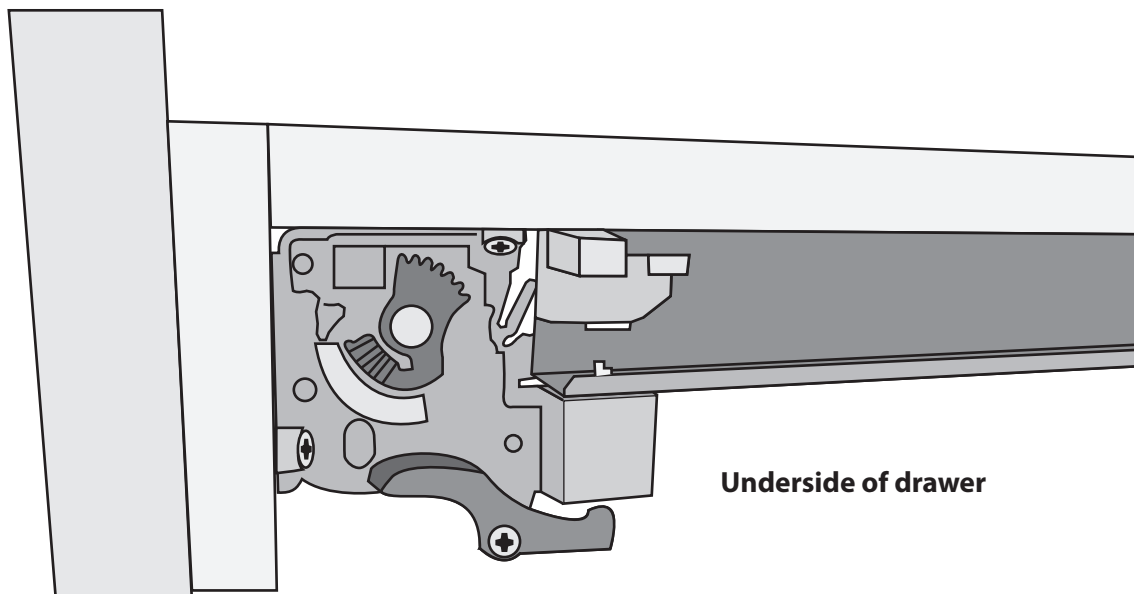
Questions?
More assembly info available at:
www.cabinetgiant.com/assembly
or drop us an email at:
support@cabinetgiant.com

CABINETGIANT
The Savings Makes Smiles.
www.cabinetgiant.com

Place the assembled drawer box on top of the extended metal glides. Towards the back of the metal glide, you'll notice there's a prong. Push the prong into the pre-drilled hole located in the rear of the drawer until it's flush with the back of the cabinet. You'll hear a few "clicks" that will let you know the drawer is locked into place.



Click!



9

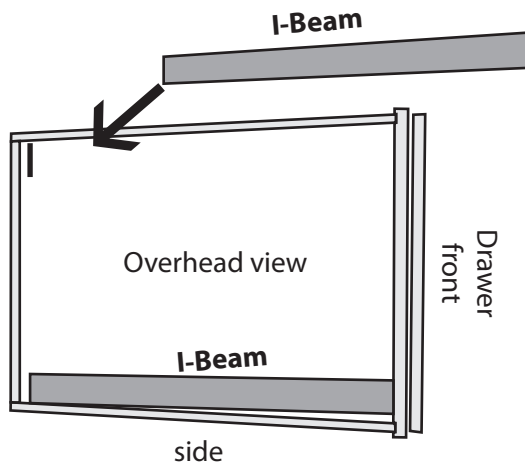
Questions?
More assembly info available at:
www.cabinetgiant.com/assembly
or drop us an email at:
support@cabinetgiant.com

CABINETGIANT
The Savings Makes  Smiles.
www.cabinetgiant.com

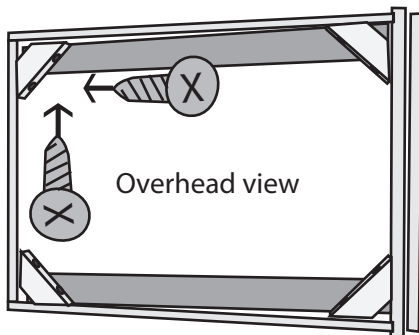
Okay, last step. Take a look at what's leftover, and once you've established what kind of vertical brace came with your cabinets, screw them on, and you're done!

Wood I-Beam

Take the two flexible plywood "beams", and pop them into the dado joints in the front and back of the cabinet, then slide it into the dado groove running along the side of the cabinet.

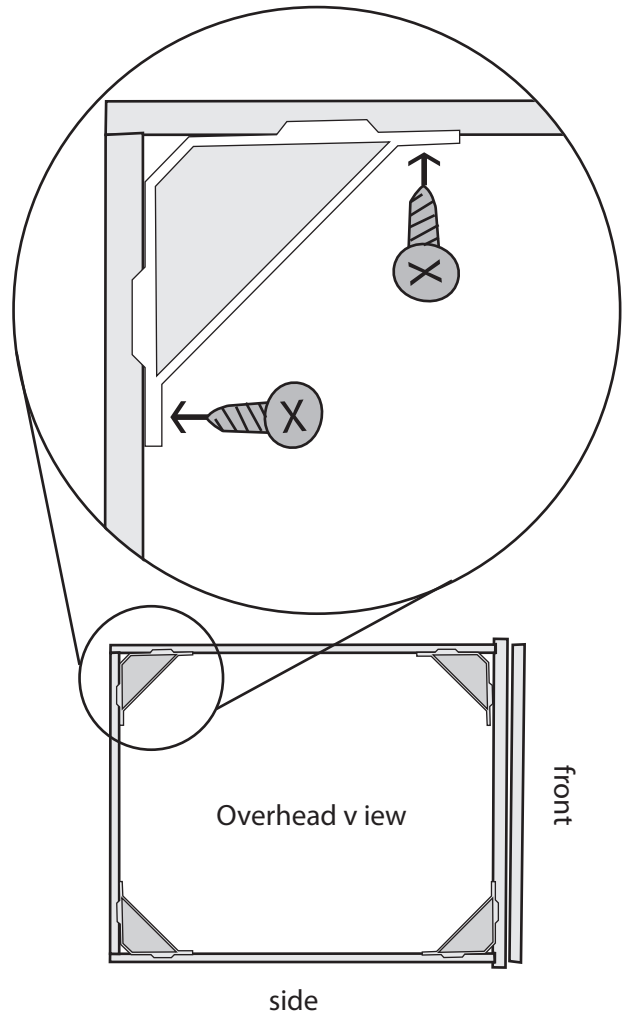


Place corner braces as shown in diagram, making sure they are flush with the top of the I-Beam. Fasten the I-Beam to the corner brace using a 1" screw. Then, use two 1" screws to anchor the diagonal corner braces to the cabinet box.



OR Vinyl Corner Brace

Lucky you, these are easy to deal with! Use the eight round-head 1/2" screws to fasten the brace to the cabinet as shown.



You did it!!!

10

Questions?
 More assembly info available at:
www.cabinetgiant.com/assembly
 or drop us an email at:
support@cabinetgiant.com

CABINETGIANT
 The Savings Makes Smiles.
www.cabinetgiant.com