

---



**METTLER TOLEDO**

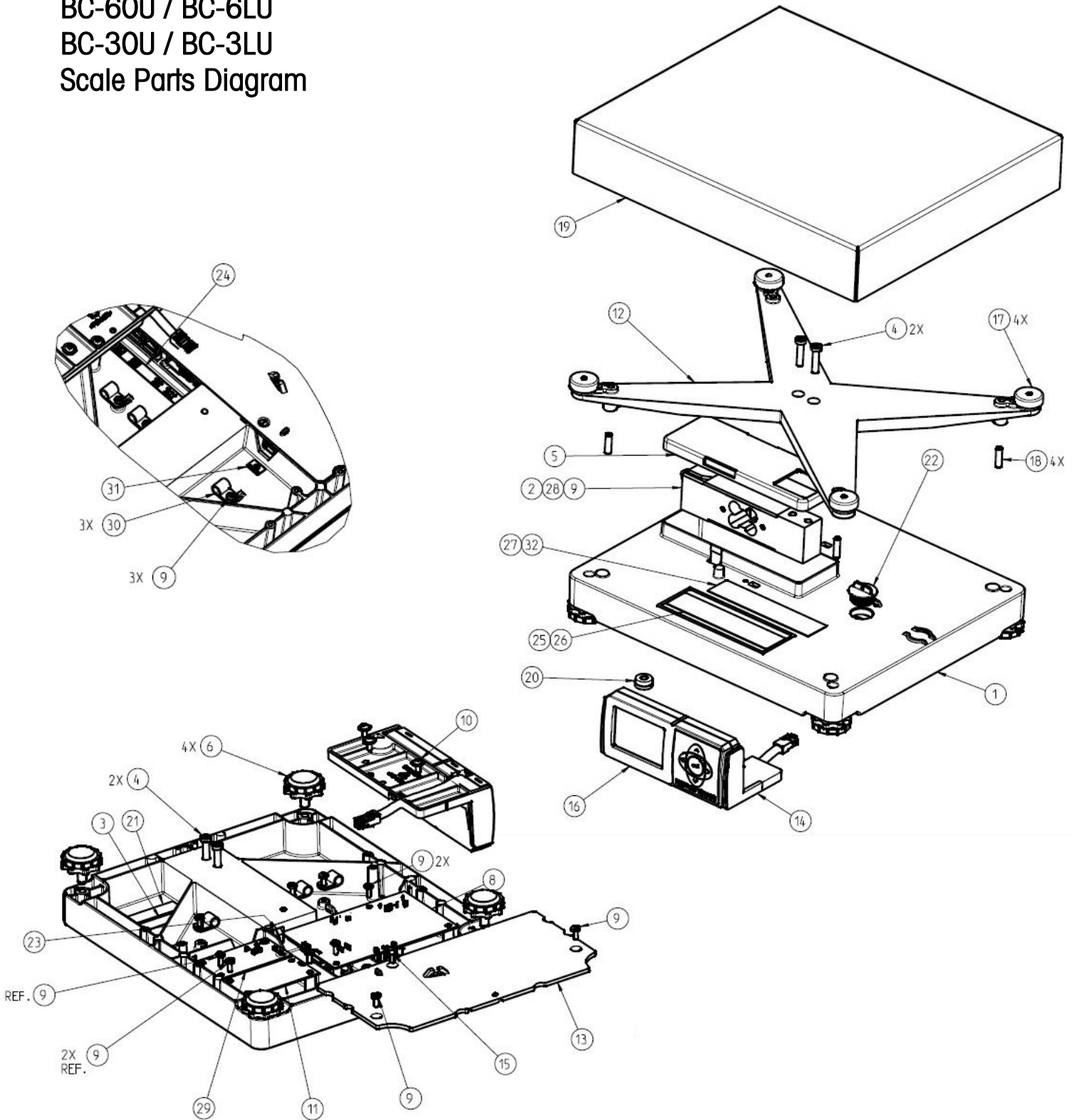
# Shipping Scales

## Parts Manual



**BC-15, BC-30, BC-3L  
BC-60, BC-6L, BC-150**

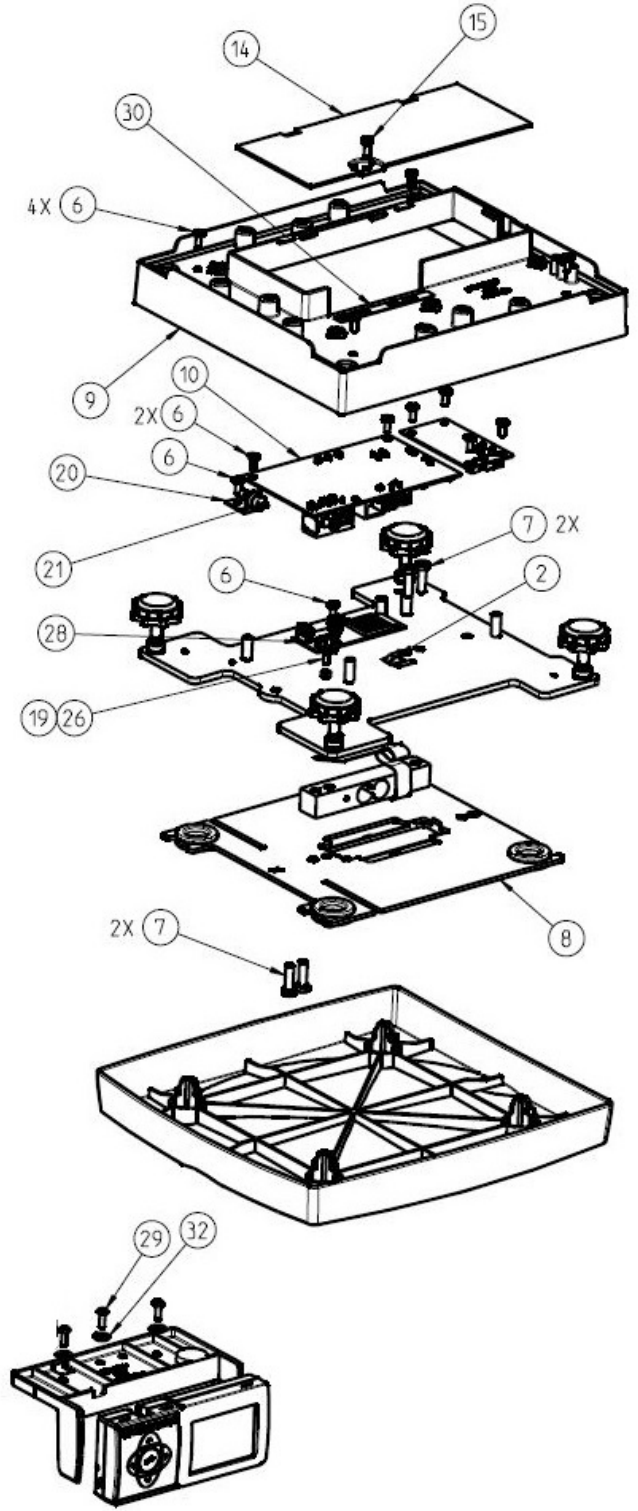
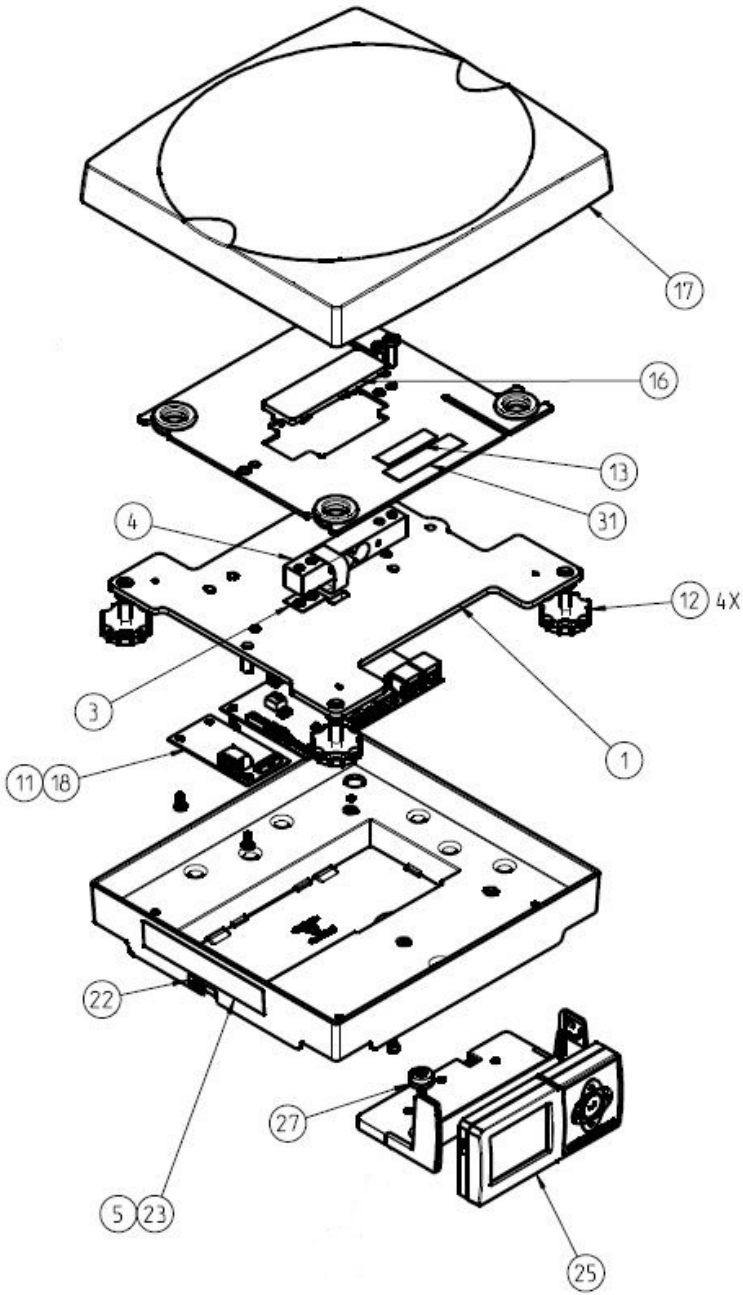
BC-60U / BC-6LU  
BC-30U / BC-3LU  
Scale Parts Diagram



## BC-60U / 6LU / 30U / 3LU Parts

Item	Qty	Description	Part Number			
			BC-60U	BC-6LU	BC-30U	BC-3LU
1	1	SCALE BASE, GSP 60	64089061	64089061	64089061	64089061
2	1	L/C ASSY, MT1041 100KG 30094310 ver C	30129142	30129143		
		L/C ASSY, 0785 - 50KG Rev B			30129140	30129141
3	4	LABEL, EMISSIONS, CANADA	72995819	72995819	72999911	72999911
4	4	SCREW, M6X25 HSH TORX	30026109	30026109	30026109	30026109
5	1	COVER, LOADCELL, GSP60	64090963	64090963	64090963	64090963
6	4	FOOT & LOCK, 5/16-18	30125789	30125789	30125789	30125789
7						
8	1	PCB ASSY, GSP MAIN	30131065	30131065	30131065	30131065
9	11	SCREW, M4X10 PAN HD,TT,TORX - R0506600A	72201472	72201472	72201472	72201472
10	1	SCREW, M4X10 WASHER HEAD	68002783	68002783	68002783	68002783
11	1	PCB ASSY, ALIBI	30092333	30092333	30092333	30092333
12	1	SPIDER, GSP 60	64089085	64089085	64089085	64089085
13	1	COVER, PCB, GSP60	64089145	64089145	64089145	64089145
14	1	BRACKET, GRAPHIC DISPLAY	64090067	64090067	64090067	64090067
15	1	SCREW, M4X10 DRILLED HD	72995253	72995253	72995253	72995253
16	1	0271 GRAPHIC DISPLAY BASE ASSEMBLY	30111587	30111587	30111587	30111587
17	4	BUMPER, CONDUCTIVE	64049732	64049732	64049732	64049732
18	4	SETSCREW, M6X20 TORX FLAT	30098811	30098811	30098811	30098811
19	1	PLATTER, Stainless Steel - A15083400A	68002726	68002726	68002726	68002726
		Platter ABS Plastic	62032007	62032007	62032007	62032007
		Platter - Ball Top, 09060161000	62009622	62009622	62009622	62009622
		Platter - Roller Top, 09060164000	62010768	62010768	62010768	62010768
20	1	LEVEL INDICATOR - 14813500A w adhesive	102326	102326	102326	102326
		LEVEL INDICATOR - base mount	71210870	71210870	71210870	71210870
*	1	BRACKET, LEVEL BUBBLE (On base)	64061525	64061525	64061525	64061525
*	3	CABLE TIE	103691	103691	103691	103691
21	3	LABEL, FCC	72999209	72999209	72999209	72999209
22	1	PLUG, M22X1.5, CROSS-DRILLED	30077082	30077082	30077082	30077082
23	1	CABLE GUIDE, STICK-ON - 158103	72994079	72994079	72994079	72994079
24	1	LABEL, GSP I/O	30090413	30090413	30090413	30090413
25	1	SHIELD, DATA LABEL	125979	125979	125979	125979
26	1	DATA LABEL - 14082800A	7222806	7222806	7222806	7222806
27	1	SECONDARY LABEL	72202353	72202353	72202353	72202353
28	1	PCB ASSY, RH LOADCELL	64091235	64091235	64091235	64091235
29	1	PCB ASSY, ETHERNET KIT	30131062	30131062	30131062	30131062
		BLUETOOTH PCB KIT	30131063	30131063	30131063	30131063
30	3	12465500A CABLE CLAMP - 1/4	72252940	72252940	72252940	72252940
31	1	LABEL, ETHERNET	30091208	30091208	30091208	30091208
	REF	HARNESS LOAD CELL	30089851	30089851	30089851	30089851

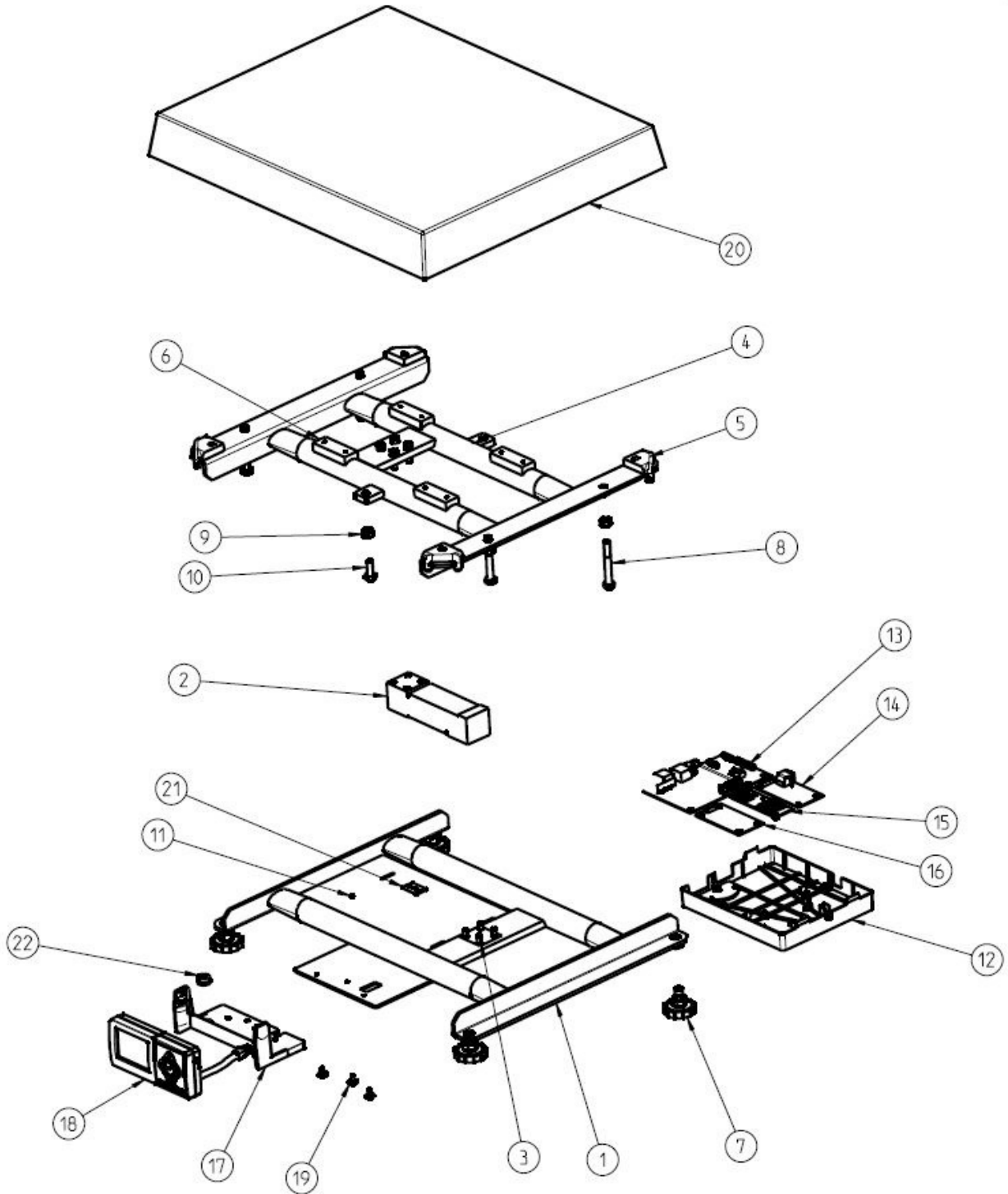
# BC-15U Scale Parts



## BC-15U Parts List (15kg)

Item	Qty	Description	Part Number
1	1	BASE ASSY, BC-15	64089749
2	1	CLIP, FLAT HARNESS 15810300A	72994079
3	1	LOADCELL SPACER, SS D16175000A	72999817
4	1	L/C ASSY, 72994745	30129129
5	1	DATA LABEL 14082800A	72222806
6	10	SCREW, M4X10 PAN HD,TT,TORX R0506600A	72201472
7	4	SCREW, M6X20 HSH TORX	72202356
8	1	SPIDER ASSY, UNIVERSAL B16126800A	72999688
9	1	COVER,SCALE BOT, BC-15	64090228
10	1	PCB ASSY, BC MAIN	64090864
11	1	PCB ASSY, BLUETOOTH	30131063
		PCB ASSY, ALIBI MEMORY	30131064
12	4	FOOT and LOCK, 5/16-18	30125789
13	1	LABEL EMISSIONS CANADA	72995819
14	1	COVER, PCB, BC-15	64091701
15	1	SCREW, M4X10 DRILLED HD	72995253
16	1	COVER, SUBPLATTER 16126900A	72996281
17	1	PLATTER, PLASTIC, A16093800A	62032018
		Platter - Stainless Steel	30132856
18	1	PCB ASSY, ETHERNET	30131062
19	1	SETSCREW, M4X8 FLAT TORX	30766694
20	1	BRACKET, CAL SWITCH	64092136
21	1	CALIBRATION HARNESS	30086570
22	1	LABEL ETHERNET	30091208
23	4	SHIELD DATA LABEL	125979
24			
25	1	BC DISPLAY ASSEMBLY	30111587
26	SUFF.	LOCTITE 243	64053702
27	1	LEVEL INDICATOR 14813500A	102326
28	1	PCB ASSY, RH LOADCELL	64091235
29	4	SCREW,M4X12 PLASTITE,TORX R0553900A	R0553900A
30	1	LABEL, BC I/O	30090413
31	1	LABEL, FCC	72999209
32	1	WASHER M4	72999911

# BC-150 Scale Parts (150kg)



## BC -150 Basic Parts List

Item	Qty	Description	Part Number
1	1	Bottom Frame GSP150 Tubal	30089247
2	1	Load Cell 0795 Quattro - 60kg	30129144
3	8	Screw VMn005 M6X20-Zn.D	72201473
4	1	Top Frame 5SP150 Tubal	30089248
5	4	Rubber Support Corner	30060753
6	4	Rubber Pad 5SP150 Tubal	30089261
7	4	Foot M10-Zn.D H35-12 040 w/Nut	175582
8	4	Bolt 5B57BO MBX60-Zn.D	72199645
9	6	NUT 5B6170 M8-Zn.D	102623
10	2	Bolt 5B57B1 MBX20-Zn.O	102407
11	1	STANDOFF, Mil- X 10 M-F	157375
12	1	COVER, PCB, GSP150	30089249
13	1	PCB ASSY, GSP MAIN	64090864
14	1	PCB ASSY, ETHERNET	30131062
15	1	PCB ASSY, RIT $\alpha$ -HERMAN LC	64091235
16	1	PC B ASSY, BLUE TOOTH	30131063
		PCB ASSY, ALIBI	30092333
17	1	BRACKET, D I SPLAY, BC	64090067
18	3	BC DISPLA Y ASSEMBLY	64090068
19	1	MACH ,MI.X10 ,PH ,TT, W IW ASHER	R05501
20	1	PLA TTER, SS, PS90	158369
21	1	LABEL ,SEAL ,SECUR I TY	143816
22	1	LEVEL IND ICATOR	148135

## BC Graphical Display 0271 Accessory

DISPLAY MODEL NUMBER	MOUNTING	TYPE	Cables	Keypad	Part Number
0271-1100-000	Base Mount	Monochrome 3.75" integral cable	13" integral	Navigation	<b>30111587</b>
0271-2100-000	Tower Mount	Monochrome 3.75"	14ft Flat	Navigation	<b>30125728</b>
0271-3100-000	Wall mount	Monochrome 3.75"	14ft Flat	Navigation	<b>30125729</b>
0271-5100-000	2nd Wall Mount	Monochrome 3.75"	14ft Flat	Blank	<b>30125790</b>
0271-6100-000	Dual Tower	Monochrome 3.75"	10ft Y Cable	1)Navigation 2)Blank	<b>30125791</b>
0271-7100-000	2nd Tower Mount	Monochrome 3.75"	14ft Flat	Blank	<b>30125792</b>
0271-F100-000	Dual Display Counter Top	Monochrome 3.75"	10ft Y Cable	1)Navigation 2)Blank	<b>30125793</b>



Base Display



Wall Display



2nd Tower Display



# BC Basic Display 0270 Accessory

Example: Order replacement base display for PS60: 0270-1100-000 number

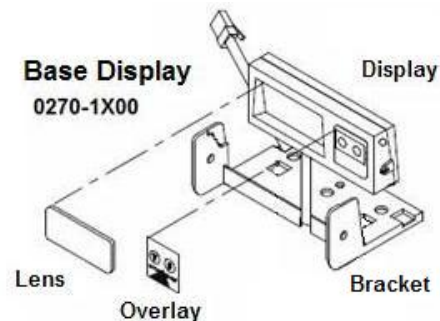
**Accessory Model Number: 0270 - XX00 - 000**

- X =**
- 1: Base Display
  - 2: Tower Display (Single)
  - 3: Wall Display (Single)
  - 4: Dual Wall Display
  - 5: 2<sup>nd</sup> Display Wall
  - 6: Dual Tower display
  - 7: 2<sup>nd</sup> Display Tower
  - F: Dual Display - Counter Top



0270 Display					
Used with	X =	Display Capacity	Approvals	Lens	
BC-60	1	150X.05lb / 60X.02kg	NTEP, MC	16566500A	71210728
BC-60	2	Max: 50/70kg, Min = 400g, e=20/50g	Austr, OIML	16566600A	64073454
BC-60	3	Max 60kg, Min=400g, e=20g	OIML	16565900A	71210736
BC-60	4	0-60x0.02lb/60-150x0.05lb (0-30x0.10kg/30-60x0.02kg)	NTEP, MC	16566200A	64073455
BC-60	5	Max: 30/60kg, Min:200g, e=10/20g	Austr, MC	16566000A	64073454
BC-150	6	250 x 0.1lb / 100 x 0.05kg	NTEP	15504200A	
BC-6L	7	0-10lb X.1oz/10-70lb X.2oz/70-149lb X.5oz	NTEP	16566400A	72996384
BC-6L	8	0-5 X 0.005lb/ 5-25 X 0.05lb/ 25-150 X 0.1lb		16566300A	64073456
BC-30	9	70 X 0.05lb / 30 x 0.02kg	NTEP	64061573	64061573
BC-30	A	0-7lb X 0.1oz / 7-70lb X 0.2oz	NTEP	16521100A	71210662
BC-150	B	300lb x 0.1lb / 150 kg x 0.05kg	NTEP, MC	17320700A	64085524
BC-15	C	30lb x 0.01lb / 15 kg x 0.005kg	NTEP	64061577	64061577
Other Display Lenses					
BC-15		Max: 3/15kg, Min:0.005kg, e=0.001/0.005kg	OIML	64065522	64065522
BC-30		0-7 X 0.005lb/ 7-70 X 0.02lb		64061578	64061578
BC-30		30 x 0.01kg		64061574	64061574

0270 Components	
Part Number	Description
30083277	Display - Wall/Tower 15705300A
30083278.	Display - Base 15705300B
68002670	Bracket 15640800A
72996380	Keypad Overlay 16532700A





FOR YOUR NOTES



**METTLER TOLEDO**  
1900 Polaris Parkway  
Columbus, Ohio 43240-2020

P/N: 64067861

(02/14)

© 2014 METTLER TOLEDO  
Printed in U.S.A.