

**BE 2018 SCHEME THIRD SEMESTER SYLLABUS EC / TC**

**B. E. COMMON TO ALL PROGRAMMES**  
**Choice Based Credit System (CBCS) and Outcome Based Education (OBE)**  
**SEMESTER - III**

**TRANSFORM CALCULUS, FOURIER SERIES AND NUMERICAL TECHNIQUES**

Course Code	<b>18MAT31</b>	CIE Marks	40
Teaching Hours/Week (L:T:P)	(2:2:0)	SEE Marks	60
Credits	<b>03</b>	Exam Hours	03

**Course Learning Objectives:**

- To have an insight into Fourier series, Fourier transforms, Laplace transforms, Difference equations and Z-transforms.
- To develop the proficiency in variational calculus and solving ODE's arising in engineering applications, using numerical methods.

**Module-1**

**Laplace Transforms:** Definition and Laplace transform of elementary functions. Laplace transforms of Periodic functions and unit-step function – problems.

**Inverse Laplace Transforms:** Inverse Laplace transform - problems, Convolution theorem to find the inverse Laplace transform (without proof) and problems, solution of linear differential equations using Laplace transform.

**Module-2**

**Fourier Series:** Periodic functions, Dirichlet's condition. Fourier series of periodic functions period  $2\pi$  and arbitrary period. Half range Fourier series. Practical harmonic analysis, examples from engineering field.

**Module-3**

**Fourier Transforms:** Infinite Fourier transforms, Fourier sine and cosine transforms. Inverse Fourier transforms. Simple problems.

**Difference Equations and Z-Transforms:** Difference equations, basic definition, z-transform-definition, Standard z-transforms, Damping and shifting rules, initial value and final value theorems (without proof) and problems, Inverse z-transform. Simple problems.

**Module-4**

**Numerical Solutions of Ordinary Differential Equations (ODE's):** Numerical solution of ODE's of first order and first degree- Taylor's series method, Modified Euler's method. Range - Kutta method of fourth order, Milne's and Adam-Bashforth predictor and corrector method (No derivations of formulae), Problems.

**Module-5**

**Numerical Solution of Second Order ODE's:** Runge -Kutta method and Milne's predictor and corrector method.(No derivations of formulae).

**Calculus of Variations:** Variation of function and functional, variational problems, Euler's equation, Geodesics, hanging chain, problems.

**Course Outcomes:** At the end of the course the student will be able to:

- CO1: Use Laplace transform and inverse Laplace transform in solving differential/ integral equation arising in network analysis, control systems and other fields of engineering.
- CO2: Demonstrate Fourier series to study the behaviour of periodic functions and their applications in system communications, digital signal processing and field theory.
- CO3: Make use of Fourier transform and Z-transform to illustrate discrete/continuous function arising in wave and heat propagation, signals and systems.
- CO4: Solve first and second order ordinary differential equations arising in engineering problems using single step and multistep numerical methods.
- CO5:Determine the extremals of functionals using calculus of variations and solve problems arising in dynamics of rigid bodies and vibrational analysis.

**Question paper pattern:**

1. The question paper will have ten full questions carrying equal marks.
2. Each full question will be for 20 marks.

- There will be two full questions (with a maximum of four sub- questions) from each module.

Sl. No.	Title of the Book	Name of the Author/s	Name of the Publisher	Edition and Year
<b>Textbooks</b>				
1	Advanced Engineering Mathematics	E. Kreyszig	John Wiley & Sons	10 <sup>th</sup> Edition, 2016
2	Higher Engineering Mathematics	B. S. Grewal	Khanna Publishers	44 <sup>th</sup> Edition, 2017
3	Engineering Mathematics	Srimanta Pal et al	Oxford University Press	3 <sup>rd</sup> Edition, 2016
<b>Reference Books</b>				
1	Advanced Engineering Mathematics	C. Ray Wylie, Louis C. Barrett	McGraw-Hill Book Co	6 <sup>th</sup> Edition, 1995
2	Introductory Methods of Numerical Analysis	S. S. Sastry	Prentice Hall of India	4 <sup>th</sup> Edition 2010
3	Higher Engineering Mathematics	B.V. Ramana	McGraw-Hill	11 <sup>th</sup> Edition,2010
4	A Text Book of Engineering Mathematics	N. P. Bali and Manish Goyal	Laxmi Publications	2014
5	Advanced Engineering Mathematics	Chandrika Prasad and Reena Garg	Khanna Publishing,	2018
<b>Web links and Video Lectures:</b>				
1. <a href="http://nptel.ac.in/courses.php?disciplineID=111">http://nptel.ac.in/courses.php?disciplineID=111</a>				
2. <a href="http://www.class-central.com/subject/math(MOOCs)">http://www.class-central.com/subject/math(MOOCs)</a>				
3. <a href="http://academicarth.org/">http://academicarth.org/</a>				
4. VTU EDUSAT PROGRAMME - 20				

**B. E. EC / TC**  
**Choice Based Credit System (CBCS) and Outcome Based Education (OBE)**  
**SEMESTER - III**

**NETWORK THEORY**

Subject Code	<b>18EC32</b>	CIE Marks	40
Number of Lecture Hours/Week (L:T:P) (L:T:P)	3:2:0	SEE marks	60
CREDITS	04	Exam Hours	03

**Course Learning Objectives:** This course will enable students to:

- Describe basic network concepts emphasizing source transformation, source shifting, mesh and nodal techniques to solve for resistance/impedance, voltage, current and power.
- Explain network Thevenin's, Millman's, Superposition, Reciprocity, Maximum Power transfer and Norton's Theorems and apply them in solving the problems related to Electrical Circuits.
- Explain the behavior of networks subjected to transient conditions.
- Use applications of Laplace transforms to network problems.
- Study two port network parameters like Z, Y, T and h and their inter-relationships and applications.
- Study of RLC Series and parallel tuned circuit.

**Module – 1**

**Basic Concepts:** Practical sources, Source transformations, Network reduction using Star – Delta transformation, Loop and node analysis with linearly dependent and independent sources for DC and AC networks.

**Module – 2**

**Network Theorems:**

Superposition, Millman's theorems, Thevenin's and Norton's theorems, Maximum Power transfer theorem.

**Module – 3**

**Transient behavior and initial conditions:** Behavior of circuit elements under switching condition and their Representation, evaluation of initial and final conditions in RL, RC and RLC circuits for AC and DC excitations.

**Module – 4**

**Laplace Transformation & Applications:** Solution of networks, step, ramp and impulse responses, waveform Synthesis.

**Module – 5**

**Two port network parameters:** Definition of Z, Y, h and Transmission parameters, modelling with these parameters, relationship between parameters sets.

**Resonance:**

**Series Resonance:** Variation of Current and Voltage with Frequency, Selectivity and Bandwidth, Q-Factor, Circuit Magnification Factor, Selectivity with Variable Capacitance, Selectivity with Variable Inductance.

**Parallel Resonance:** Selectivity and Bandwidth, Maximum Impedance Conditions with C, L and f Variable, current in Anti-Resonant Circuit, The General Case-Resistance Present in both Branches.

**Course Outcomes:** At the end of the course, the students will be able to:

- Determine currents and voltages using source transformation/ source shifting/ mesh/ nodal analysis and reduce given network using star-delta transformation/source transformation/ source shifting.
- Solve network problems by applying Superposition/ Reciprocity/ Thevenin's/ Norton's/ Maximum Power Transfer/ Millman's Network Theorems and electrical laws to reduce circuit complexities and to arrive at feasible solutions.
- Calculate current and voltages for the given circuit under transient conditions.
- Apply Laplace transform to solve the given network.
- Solve the given network using specified two port network parameter like Z or Y or T or h.
- Understand the concept of resonance.

**Question paper pattern:**

- Examination will be conducted for 100 marks with question paper containing 10 full questions, each of 20 marks.
- Each full question can have a maximum of 4 sub questions.
- There will be 2 full questions from each module covering all the topics of the module.
- Students will have to answer 5 full questions, selecting one full question from each module.
- The total marks will be proportionally reduced to 60 marks as SEE marks is 60.

**Text Books:**

1. M.E. Van Valkenberg (2000), —Network analysis, Prentice Hall of India, 3<sup>rd</sup> edition, 2000, ISBN: 9780136110958.
2. Roy Choudhury, —Networks and systems, 2nd edition, New Age International Publications, 2006, ISBN: 9788122427677

**Reference Books:**

1. Hayt, Kemmerly and Durbin —Engineering Circuit Analysis, TMH 7th Edition, 2010.
2. J. David Irwin /R. Mark Nelms, —Basic Engineering Circuit Analysis, John Wiley, 8th ed, 2006.
3. Charles K Alexander and Mathew N O Sadiku, — Fundamentals of Electric Circuits, Tata McGraw-Hill, 3rd Ed, 2009.

**B. E. EC / TC**  
**Choice Based Credit System (CBCS) and Outcome Based Education (OBE)**  
**SEMESTER - III**

**ELECTRONIC DEVICES**

Course Code	<b>18EC33</b>	CIE Marks	40
Number of Lecture Hours/Week (L:T:P)	03	SEE marks	60
CREDITS	03	Exam Hours	03

**Course Learning Objectives:** This course will enable students to:

- Understand the basics of semiconductor physics and electronic devices.
- Describe the mathematical models BJTs and FETs along with the constructional details.
- Understand the construction and working principles of optoelectronic devices
- Understand the fabrication process of semiconductor devices and CMOS process integration.

**Module-1**

**Semiconductors**

Bonding forces in solids, Energy bands, Metals, Semiconductors and Insulators, Direct and Indirect semiconductors, Electrons and Holes, Intrinsic and Extrinsic materials, Conductivity and Mobility, Drift and Resistance, Effects of temperature and doping on mobility, Hall Effect. **(Text 1: 3.1.1, 3.1.2, 3.1.3, 3.1.4, 3.2.1, 3.2.3, 3.2.4, 3.4.1, 3.4.2, 3.4.3, 3.4.5).**

**Module-2**

**P-N Junctions**

Forward and Reverse biased junctions- Qualitative description of Current flow at a junction, reverse bias, Reverse bias breakdown- Zener breakdown, avalanche breakdown, Rectifiers. **(Text 1: 5.3.1, 5.3.3, 5.4, 5.4.1, 5.4.2, 5.4.3)**

Optoelectronic Devices Photodiodes: Current and Voltage in an Illuminated Junction, Solar Cells, Photodetectors. Light Emitting Diode: Light Emitting materials. **(Text 1: 8.1.1, 8.1.2, 8.1.3, 8.2, 8.2.1)**

**Module – 3**

**Bipolar Junction Transistor**

Fundamentals of BJT operation, Amplification with BJTS, BJT Fabrication, The coupled Diode model (Ebers-Moll Model), Switching operation of a transistor, Cutoff, saturation, switching cycle, specifications, Drift in the base region, Base narrowing, Avalanche breakdown. **(Text 1: 7.1, 7.2, 7.3, 7.5.1, 7.6, 7.7.1, 7.7.2, 7.7.3).**

**Module-4**

**Field Effect Transistors**

Basic pn JFET Operation, Equivalent Circuit and Frequency Limitations, MOSFET- Two terminal MOS structure- Energy band diagram, Ideal Capacitance – Voltage Characteristics and Frequency Effects, Basic MOSFET Operation- MOSFET structure, Current-Voltage Characteristics. **(Text 2: 9.1.1, 9.4, 9.6.1, 9.6.2, 9.7.1, 9.7.2, 9.8.1, 9.8.2).**

**Module-5**

**Fabrication of p-n junctions**

Thermal Oxidation, Diffusion, Rapid Thermal Processing, Ion implantation, chemical vapour deposition, photolithography, Etching, metallization. **(Text 1: 5.1)**

**Integrated Circuits**

Background, Evolution of ICs, CMOS Process Integration, Integration of Other Circuit Elements. **(Text 1: 9.1, 9.2, 9.3.1, 9.3.3).**

**Course Outcomes:** After studying this course, students will be able to:

- Understand the principles of semiconductor Physics
- Understand the principles and characteristics of different types of semiconductor devices
- Understand the fabrication process of semiconductor devices.
- Utilize the mathematical models of semiconductor junctions and MOS transistors for circuits and systems.

**Question paper pattern:**

- Examination will be conducted for 100 marks with question paper containing 10 full questions, each of 20 marks.
- Each full question can have a maximum of 4 sub questions.
- There will be 2 full questions from each module covering all the topics of the module.
- Students will have to answer 5 full questions, selecting one full question from each module.
- The total marks will be proportionally reduced to 60 marks as SEE marks is 60.

**Text Books:**

1. Ben G. Streetman, Sanjay Kumar Banerjee, "Solid State Electronic Devices", 7<sup>th</sup> Edition, Pearson Education, 2016, ISBN 978-93-325-5508-2.
2. Donald A Neamen, Dhrubes Biswas, "Semiconductor Physics and Devices", 4<sup>th</sup> Edition, MCGraw Hill Education, 2012, ISBN 978-0-07-107010-2.

**Reference Book:**

1. S.M.Sze, Kwok K. Ng, "Physics of Semiconductor Devices", 3<sup>rd</sup> Edition, Wiley, 2018.
2. A.Bar-Lev, "Semiconductor and Electronic Devices", 3rd Edition, PHI, 1993.

**B. E. EC / TC**  
**Choice Based Credit System (CBCS) and Outcome Based Education (OBE)**  
**SEMESTER - III**

**DIGITAL SYSTEM DESIGN**

Course Code	<b>18EC34</b>	CIE Marks	40
Number of Lecture Hours/Week	03	SEE Marks	60
CREDITS	03	Exam Hour	03

**Course Learning Objectives:** This course will enable students to:

- Illustrate simplification of Algebraic equations using Karnaugh Maps and Quine-McClusky Techniques.
- Design Decoders, Encoders, Digital Multiplexer, Adders, Subtractors and Binary Comparators.
- Describe Latches and Flip-flops, Registers and Counters.
- Analyze Mealy and Moore Models.
- Develop state diagrams Synchronous Sequential Circuits.
- Appreciate the applications of digital circuits.

**Module – 1**

**Principles of combinational logic:** Definition of combinational logic, canonical forms, Generation of switching equations from truth tables, Karnaugh maps-3,4,5 variables, Incompletely specified functions (Don't care terms) Simplifying Max term equations, Quine-McClusky techniques – 3 & 4 variables. **(Text 1 - Chapter 3)**

**Module – 2**

**Analysis and design of combinational logic:** Decoders, Encoders, Digital multiplexers, Adders and subtractors, Look ahead carry, Binary comparators. **(Text 1 - Chapter 4).**  
 Programmable Logic Devices, Complex PLD, FPGA. **(Text 3 - Chapter 9, 9.6 to 9.8)**

**Module -3**

**Flip-Flops and its Applications:** Basic Bistable elements, Latches, The master-slave flip-flops (pulse-triggered flip-flops): SR flip-flops, JK flip-flops, Characteristic equations, Registers, binary ripple counters, and synchronous binary counters. **(Text 2 - Chapter 6)**

**Module -4**

**Sequential Circuit Design:** Design of a synchronous counter, Design of a synchronous mod-n counter using clocked JK, D, T and SR flip-flops. **(Text 2 - Chapter 6)**  
 Mealy and Moore models, State machine notation, Construction of state diagrams. **(Text 1 - Chapter 6)**

**Module -5**

**Applications of Digital Circuits:** Design of a Sequence Detector, Guidelines for construction of state graphs, Design Example – Code Converter, Design of Iterative Circuits (Comparator), Design of Sequential Circuits using ROMs and PLAs, CPLDs and FPGAs, Serial Adder with Accumulator, Design of Binary Multiplier, Design of Binary Divider.  
**(Text 3 – 14.1, 14.3, 16.2, 16.3, 16.4, 18.1, 18.2, 18.3)**

**Course Outcomes:** After studying this course, students will be able to:

- Explain the concept of combinational and sequential logic circuits.
- Design the combinational logic circuits.
- Design the sequential circuits using SR, JK, D, T flip-flops and Mealy & Moore machines
- Design applications of Combinational & Sequential Circuits.

**Question paper pattern:**

- Examination will be conducted for 100 marks with question paper containing 10 full questions, each of 20 marks.
- Each full question can have a maximum of 4 sub questions.
- There will be 2 full questions from each module covering all the topics of the module.
- Students will have to answer 5 full questions, selecting one full question from each module.



**Text Books:**

1. John M Yarbrough,-Digital Logic Applications and Design, Thomson Learning,2001.
2. Donald D. Givone, —Digital Principles and Designll, McGraw Hill, 2002.
3. Charles H Roth Jr., Larry L. Kinney —Fundamentals of Logic Design, CengageLearning, 7<sup>th</sup> Edition.

**Reference Books:**

1. D. P. Kothari and J. S Dhillon, —Digital Circuits and Designll, Pearson, 2016,
2. Morris Mano, —Digital Designll, Prentice Hall of India, Third Edition.
3. K. A. Navas, —Electronics Lab Manuall, Volume I, PHI, 5th Edition, 2015.

**B. E. EC / TC**  
**Choice Based Credit System (CBCS) and Outcome Based Education (OBE)**  
**SEMESTER - III**

**COMPUTER ORGANIZATION AND ARCHITECTURE**

Course Code	<b>18EC35</b>	CIE Marks	40
Number of Lecture Hours/Week	03	SEE Marks	60
CREDITS	03	Exam Hours	03

**Course Learning Objectives:** This course will enable students to:

- Explain the basic sub systems of a computer, their organization, structure and operation.
- Illustrate the concept of programs as sequences of machine instructions.
- Demonstrate different ways of communicating with I/O devices
- Describe memory hierarchy and concept of virtual memory.
- Illustrate organization of simple pipelined processor and other computing systems.

**Module 1**

**Basic Structure of Computers:** Computer Types, Functional Units, Basic Operational Concepts, Bus Structures, Software, Performance – Processor Clock, Basic Performance Equation (**upto 1.6.2 of Chap 1 of Text**).

**Machine Instructions and Programs:** Numbers, Arithmetic Operations and Characters, IEEE standard for Floating point Numbers, Memory Location and Addresses, Memory Operations, Instructions and Instruction Sequencing (**upto 2.4.6 of Chap 2 and 6.7.1 of Chap 6 of Text**).

**Module 2**

Addressing Modes, Assembly Language, Basic Input and Output Operations, Stacks and Queues, Subroutines, Additional Instructions (**from 2.4.7 of Chap 2, except 2.9.3, 2.11 & 2.12 of Text**).

**Module 3**

**Input/Output Organization:** Accessing I/O Devices, Interrupts – Interrupt Hardware, Enabling and Disabling Interrupts, Handling Multiple Devices, Controlling Device Requests, Direct Memory Access(**upto 4.2.4 and 4.4 except 4.4.1 of Chap 4 of Text**).

**Module 4**

**Memory System:** Basic Concepts, Semiconductor RAM Memories-Internal organization of memory chips, Static memories, Asynchronous DRAMS, Read Only Memories, Cash Memories, Virtual Memories, Secondary Storage-Magnetic Hard Disks (**5.1, 5.2, 5.2.1, 5.2.2, 5.2.3, 5.3, 5.5 (except 5.5.1 to 5.5.4), 5.7 (except 5.7.1), 5.9, 5.9.1 of Chap 5 of Text**).

**Module 5**

**Basic Processing Unit:** Some Fundamental Concepts, Execution of a Complete Instruction, Multiple Bus Organization, Hardwired Control, Microprogrammed Control (**upto 7.5 except 7.5.1 to 7.5.6 of Chap 7 of Text**).

**Course Outcomes:** After studying this course, students will be able to:

- Explain the basic organization of a computer system.
- Explain different ways of accessing an input / output device including interrupts.
- Illustrate the organization of different types of semiconductor and other secondary storage memories.
- Illustrate simple processor organization based on hardwired control and micro programmed control.

**Question paper pattern:**

- Examination will be conducted for 100 marks with question paper containing 10 full questions, each of 20 marks.
- Each full question can have a maximum of 4 sub questions.
- There will be 2 full questions from each module covering all the topics of the module.
- Students will have to answer 5 full questions, selecting one full question from each module.

**Text Book:**

1. Carl Hamacher, Zvonko Vranesic, Safwat Zaky: Computer Organization, 5<sup>th</sup> Edition, Tata McGraw Hill, 2002.

**Reference Books:**

1. David A. Patterson, John L. Hennessy: Computer Organization and Design – The Hardware / Software Interface ARM Edition, 4<sup>th</sup> Edition, Elsevier, 2009.
2. William Stallings: Computer Organization & Architecture, 7<sup>th</sup> Edition, PHI, 2006.
3. Vincent P. Heuring & Harry F. Jordan: Computer Systems Design and Architecture, 2<sup>nd</sup> Edition, Pearson Education, 2004.

B. E. (EC / TC) Choice Based Credit System (CBCS) and Outcome Based Education (OBE) SEMESTER – III POWER ELECTRONICS AND INSTRUMENTATION			
Course Code	18EC36	CIE Marks	40
Number of Lecture Hours/Week	03	SEE Marks	60
Total Number of Lecture Hours	40 (8 Hours/ Module)	Exam Hours	03
CREDITS – 03			
<p><b>Course Learning Objectives:</b> This course will enable students to:</p> <ul style="list-style-type: none"> <li>• Study and analysis of thyristor circuits with different triggering conditions.</li> <li>• Learn the applications of power devices in controlled rectifiers, converters and inverters.</li> <li>• Understand types of instrument errors.</li> <li>• Develop circuits for multirange Ammeters and Voltmeters.</li> <li>• Describe principle of operation of digital measuring instruments and Bridges.</li> <li>• Understand the operation of Transducers, Instrumentation amplifiers and PLCs.</li> </ul>			
Module-1			RBT Level
<p><b>Introduction:</b> History, Power Electronic Systems, Power Electronic Converters and Applications (1.2, 1.3 1.5 &amp; 1.6 of Text 1).  <b>Thyristors:</b> Static Anode-Cathode characteristics and Gate characteristics of SCR, Turn-ON methods, Turn-OFF mechanisms(2.3, 2.6 without 2.6.1), 2.7, 2.9 of text 1),  Turn-OFF Methods: Natural and Forced Commutation – Class A and Class B types (refer 2.10 without design considerations),  Gate Trigger Circuit: Resistance Firing Circuit, Resistance capacitance firing circuit (refer 3.5 upto 3.5.2 of Text 1),  Unijunction Transistor: Basic operation and UJT Firing Circuit (refer 3.6, upto 3.6.4, except 3.6.2).</p>			L1, L2
Module-2			
<p><b>Phase Controlled Converter:</b> Control techniques, Single phase half wave and full wave controlled rectifier with resistive and inductive loads, effect of freewheeling diode (refer Chapter 6 of Text 1 upto 6.4.1 without derivations).  <b>Choppers:</b> Chopper Classification, Basic Chopper operation: step-down, step-up and step-up/down choppers. (refer Chapter 8 of Text 1 upto 8.3.3)</p>			L1,L2, L3
Module-3			
<p><b>Inverters:</b> Classification, Single phase Half bridge and full bridge inverters with R and RL load (refer Chapter 9 of Text 1 upto 9.4.2 without Circuit Analysis).  <b>Switched Mode Power Supplies:</b> Isolated Flyback Converter, Isolated Forward Converter(only refer to the circuit operations in section 16.3 of Text 1 upto 16.3.2 except 16.3.1.3 and derivations).</p> <p><b>Principles of Measurement:</b> Static Characteristics, Error in Measurement, Types of Static Error. (Text 2: 1.2-1.6)  Multirange Ammeters, Multirange voltmeter. (Text 2: 3.2, 4.4 )</p>			L1,L2, L3
Module-4			

<p><b>Digital Voltmeter:</b> Ramp Technique, Dual slope integrating Type DVM, Direct Compensation type and Successive Approximations type DVM (Text 2: 5.1-5.3, 5.5, 5.6)</p> <p><b>Digital Multimeter:</b> Digital Frequency Meter and Digital Measurement of Time, Function Generator.</p> <p><b>Bridges:</b> Measurement of resistance: Wheatstone’s Bridge, AC Bridges-Capacitance and Inductance Comparison bridge, Wien’s bridge. (Text 2: refer 6.2, 6.3 upto 6.3.2, 6.4 upto 6.4.2, 8.8, 11.2, 11.8-11.10, 11.14).</p>	<b>L1, L2</b>
<b>Module-5</b>	
<p><b>Transducers:</b> Introduction, Electrical Transducer, Resistive Transducer, Resistive position Transducer, Resistance Wire Strain Gauges, Resistance Thermometer, Thermistor, LVDT. (Text 2: 13.1-13.3, 13.5, 13.6 upto 13.6.1, 13.7, 13.8, 13.11). Instrumentation Amplifier using Transducer Bridge, Temperature indicators using Thermometer, Analog Weight Scale (Text 2: 14.3.3, 14.4.1, 14.4.3).</p> <p><b>Programmable Logic Controller:</b> Structure, Operation, Relays and Registers (Text 2: 21.15, 21.15.2, 21.15.3, 21.15.5, 21.15.6).</p>	<b>L1,L2, L3</b>
<p><b>Course Outcomes:</b> At the end of the course students should be able to:</p> <ul style="list-style-type: none"> <li>• Build and test circuits using power electronic devices.</li> <li>• Analyze and design controlled rectifier, DC to DC converters, DC to AC inverters and SMPS.</li> <li>• Define instrument errors.</li> <li>• Develop circuits for multirange Ammeters, Voltmeters and Bridges to measure passive component values and frequency.</li> <li>• Describe the principle of operation of Digital instruments and PLCs.</li> <li>• Use Instrumentation amplifier for measuring physical parameters.</li> </ul>	
<p><b>Question paper pattern:</b></p> <ul style="list-style-type: none"> <li>• Examination will be conducted for 100 marks with question paper containing 10 full questions, each of 20 marks.</li> <li>• Each full question can have a maximum of 4 sub questions.</li> <li>• There will be 2 full questions from each module covering all the topics of the module.</li> <li>• Students will have to answer 5 full questions, selecting one full question from each module.</li> <li>• The total marks will be proportionally reduced to 60 marks as SEE marks is 60.</li> </ul>	
<p><b>Text Books:</b></p> <ol style="list-style-type: none"> <li>1. M.D Singh and K B Khanchandani, Power Electronics, 2nd Edition, Tata Mc-Graw Hill, 2009, ISBN: 0070583897</li> <li>2.H. S. Kalsi, “Electronic Instrumentation”, McGraw Hill, 3<sup>rd</sup> Edition, 2012, ISBN: 9780070702066.</li> </ol>	
<p><b>Reference Books:</b></p> <ol style="list-style-type: none"> <li>1. Mohammad H Rashid, Power Electronics, Circuits, Devices and Applications, 3<sup>rd</sup>/4<sup>th</sup> Edition, Pearson Education Inc, 2014, ISBN: 978-93-325-1844-5.</li> <li>2. L. Umanand, Power Electronics, Essentials and Applications, John Wiley India Pvt. Ltd, 2009.</li> <li>3. David A. Bell, “Electronic Instrumentation &amp; Measurements”, Oxford University Press PHI 2<sup>nd</sup> Edition, 2006, ISBN 81-203-2360-2.</li> <li>4. A. D. Helfrick and W.D. Cooper, “Modern Electronic Instrumentation and Measuring Techniques”, Pearson, 1<sup>st</sup> Edition, 2015, ISBN: 9789332556065.</li> </ol>	

<b>B. E. EC / TC</b>			
<b>Choice Based Credit System (CBCS) and Outcome Based Education (OBE)</b>			
<b>SEMESTER - III</b>			
<b>ELECTRONIC DEVICES AND INSTRUMENTATION LABORATORY</b>			
Laboratory Code	<b>18ECL37</b>	CIE Marks	40
Number of Lecture Hours/Week (L:T:P)	02Hr Tutorial (Instructions)+ 02 Hours Lab	SEE Marks	60
CREDITS	02	Exam Hours	03
<p><b>Course Learning Objectives:</b> This laboratory course enables students to</p> <ul style="list-style-type: none"> <li>• Understand the circuit schematic and its working</li> <li>• Study the characteristics of different electronic devices</li> <li>• Design and test simple electronic circuits as per the specifications using discrete electronic components.</li> <li>• Familiarize with EDA software which can be used for electronic circuit simulation.</li> </ul>			
<b>Laboratory Experiments</b>			
<b>PART A : Experiments using Discrete components</b>			
1. Conduct experiment to test diode clipping (single/double ended) and clamping circuits (positive/negative)			
2. Half wave rectifier and Full wave rectifier with and without filter and measure the ripple factor			
3. Characteristics of Zener diode and design a Simple Zener voltage regulator determine line and load			
4. Characteristics of LDR and Photo diode and turn on an LED using LDR			
5. Static characteristics of SCR.			
6. SCR Controlled HWR and FWR using RC triggering circuit			
7. Conduct an experiment to measure temperature in terms of current/voltage using a temperature sensor			
8. Measurement of Resistance using Wheatstone and Kelvin's bridge.			
<b>PART-B : Simulation using EDA software (EDWinXP, PSpice, MultiSim, Proteus, CircuitLab or any equivalent tool)</b>			
1. Input and Output characteristics of BJT Common emitter configuration and evaluation of parameters.			
2. Transfer and drain characteristics of a JFET and MOSFET.			
3. UJT triggering circuit for Controlled Full wave Rectifier.			
4. Design and simulation of Regulated power supply.			
<p><b>Course Outcomes:</b> On the completion of this laboratory course, the students will be able to:</p> <ul style="list-style-type: none"> <li>• Understand the characteristics of various electronic devices and measurement of parameters.</li> <li>• Design and test simple electronic circuits</li> <li>• Use of circuit simulation software for the implementation and characterization of electronic circuits and devices.</li> </ul>			
<b>Conduct of Practical Examination:</b>			
<ul style="list-style-type: none"> <li>• All laboratory experiments are to be considered for practical examination.</li> <li>• For examination one question from <b>PART-A</b> and one question from <b>PART-B</b> or only one question from <b>PART-A</b> experiments based on the complexity, to be set.</li> <li>• Students are allowed to pick one experiment from the lot.</li> <li>• Strictly follow the instructions as printed on the cover page of answer script for breakup of marks.</li> <li>• Change of experiment is allowed only once and Marks allotted to the procedure part to be made zero.</li> </ul>			
<b>Reference Books:</b>			
1. David A Bell, "Fundamentals of Electronic Devices and Circuits Lab Manual, 5 <sup>th</sup> Edition, 2009, Oxford University Press.			
2. Muhammed H Rashid, "Introduction to PSpice using OrCAD for circuits and electronics", 3 <sup>rd</sup> Edition, Prentice Hall, 2003.			

**B. E. EC / TC**  
**Choice Based Credit System (CBCS) and Outcome Based Education (OBE)**  
**SEMESTER - III**

**DIGITAL SYSTEM DESIGN LABORATORY**

Laboratory Code	<b>18ECL38</b>	IA Marks	40
Number of Lecture Hours/Week	02Hr Tutorial (Instructions) + 02 Hours Laboratory	Exam Mark	60
CREDITS	02	Exam Hour	03

**Course objectives:** This laboratory course enables students to get practical experience in design, realization and verification of

- Demorgan's Theorem, SOP, POS forms.
- Full/Parallel Adders, Subtractors and Magnitude Comparator.
- Multiplexer using logicgates.
- Demultiplexers and Decoders.
- Flip-Flops, Shift registers and Counters.

**NOTE:**

1. Use discrete components to test and verify the logic gates. The IC numbers given are suggestive; any equivalent ICs can be used.

For experiment No. 11 and 12 any open source or licensed simulation tool may be used.

**Laboratory Experiments:**

1. Verify

- (i) Demorgan's Theorem for 2 variables.
- (ii) The sum-of product and product-of-sum expressions using universal gates.

2. Design and implement

- (i) Half Adder & Full Adder using i) basic gates. ii) NAND gates
- Half subtractor & Full subtractor using i) basic gates ii) NAND gates

3. Design and implement

- (i) 4-bit Parallel Adder/Subtractor using IC 7483.
- (ii) BCD to Excess-3 code conversion and vice-versa.

4. Design and Implementation of

- (i) 1-bit Comparator
- (ii) 5-bit Magnitude Comparator using IC 7485.

5. Realize

- (i) Adder & Subtractors using IC 74153.
- 4-variable function using IC 74151 (8:1 MUX).

6. Realize (i) Adder & Subtractors using IC 74139.

- (ii) Binary to Gray code conversion & vice-versa (74139)

7. Realize the following flip-flops using NAND Gates.

Master-Slave JK, D & T Flip-Flop.

8. Realize the following shift registers using IC 7474/7495

SISO (ii) SIPO (iii) PISO (iv) PIPO (v) Ring (vi) Johnson counter

9. Realize (i) Design Mod – N Synchronous Up Counter & Down Counter using 7476 JK Flip-flop

- (ii) Mod-N Counter using IC 7490 / 7476
- (iii) Synchronous counter using IC 74192

10. Design Pseudo Random Sequence generator using 7495.

11. Design Serial Adder with Accumulator and Simulate using Simulation tool.

12. Design Binary Multiplier and Simulate using Simulation tool.

**Course Outcomes:** On the completion of this laboratory course, the students will be able to:

- Demonstrate the truth table of various expressions and combinational circuits using logic gates.
- Design various combinational circuits such as adders, subtractors, comparators, multiplexers and demultiplexers.
- Construct flips-flops, counters and shift registers.
- Simulate Serial adder and Binary Multiplier.

**Conduct of Practical Examination:**

- All laboratory experiments are to be included for practical examination.
- Students are allowed to pick one experiment from the lot.
- Strictly follow the instructions as printed on the cover page of answer script for breakup of marks.
- Change of experiment is allowed only once and 15% Marks allotted to the procedure part to be made zero.



**B. E. (Common to all Programmes)**  
**Choice Based Credit System (CBCS) and Outcome Based Education (OBE)**  
**SEMESTER –II / III / IV**  
**Aadalitha Kannada**

Course Code	18KAK28/39/49		
Teaching Hours/Week (L:T:P)	(0:2:0)	CIE Marks	100
Credits	01		

**ಆಡಳಿತ ಕನ್ನಡ ಕಲಿಕೆಯ ಉದ್ದೇಶಗಳು:**

- ಪದವಿ ವಿದ್ಯಾರ್ಥಿಗಳಾಗಿರುವುದರಿಂದ ಆಡಳಿತ ಕನ್ನಡದ ಪರಿಚಯ ಮಾಡಿಕೊಡುವುದು.
- ವಿದ್ಯಾರ್ಥಿಗಳಲ್ಲಿ ಕನ್ನಡ ಭಾಷೆಯ ವ್ಯಾಕರಣದ ಬಗ್ಗೆ ಅರಿವು ಮೂಡಿಸುವುದು.
- ಕನ್ನಡ ಭಾಷಾ ರಚನೆಯಲ್ಲಿನ ನಿಯಮಗಳನ್ನು ಪರಿಚಯಿಸುವುದು.
- ಕನ್ನಡ ಭಾಷಾ ಬರಹದಲ್ಲಿ ಕಂಡುಬರುವ ದೋಷಗಳು ಹಾಗೂ ಅವುಗಳ ನಿವಾರಣೆ. ಮತ್ತು ಲೇಖನ ಚಿಹ್ನೆಗಳನ್ನು ಪರಿಚಯಿಸುವುದು.
- ಸಾಮಾನ್ಯ ಅರ್ಜಿಗಳು, ಸರ್ಕಾರಿ ಮತ್ತು ಅರೆ ಸರ್ಕಾರಿ ಪತ್ರವ್ಯವಹಾರದ ಬಗ್ಗೆ ಅರಿವು ಮೂಡಿಸುವುದು.
- ಭಾಷಾಂತರ ಮತ್ತು ಪ್ರಬಂಧ ರಚನೆ ಬಗ್ಗೆ ಅಸಕ್ತಿ ಮೂಡಿಸುವುದು.
- ಕನ್ನಡ ಭಾಷಾಭ್ಯಾಸ ಮತ್ತು ಸಾಮಾನ್ಯ ಕನ್ನಡ ಹಾಗೂ ಆಡಳಿತ ಕನ್ನಡದ ಪದಗಳ ಪರಿಚಯ ಮಾಡಿಕೊಡುವುದು.

**ಪರಿವಿಡಿ (ಪಠ್ಯಪುಸ್ತಕದಲ್ಲಿರುವ ವಿಷಯಗಳ ಪಟ್ಟಿ)**

- ಅಧ್ಯಾಯ – 1 ಕನ್ನಡಭಾಷೆ – ಸಂಕ್ಷಿಪ್ತ ವಿವರಣೆ.
- ಅಧ್ಯಾಯ – 2 ಭಾಷಾ ಪ್ರಯೋಗದಲ್ಲಾಗುವ ಲೋಪದೋಷಗಳು ಮತ್ತು ಅವುಗಳ ನಿವಾರಣೆ.
- ಅಧ್ಯಾಯ – 3 ಲೇಖನ ಚಿಹ್ನೆಗಳು ಮತ್ತು ಅವುಗಳ ಉಪಯೋಗ.
- ಅಧ್ಯಾಯ – 4 ಪತ್ರ ವ್ಯವಹಾರ.
- ಅಧ್ಯಾಯ – 5 ಆಡಳಿತ ಪತ್ರಗಳು.
- ಅಧ್ಯಾಯ – 6 ಸರ್ಕಾರದ ಆದೇಶ ಪತ್ರಗಳು.
- ಅಧ್ಯಾಯ – 7 ಸಂಕ್ಷಿಪ್ತ ಪ್ರಬಂಧ ರಚನೆ (ಪ್ರಿಸೈಸ್ ರೈಟಿಂಗ್), ಪ್ರಬಂಧ ಮತ್ತು ಭಾಷಾಂತರ.
- ಅಧ್ಯಾಯ – 8 ಕನ್ನಡ ಶಬ್ದಸಂಗ್ರಹ.
- ಅಧ್ಯಾಯ – 9 ಕಂಪ್ಯೂಟರ್ ಹಾಗೂ ಮಾಹಿತಿ ತಂತ್ರಜ್ಞಾನ.
- ಅಧ್ಯಾಯ – 10 ಪಾರಿಭಾಷಿಕ ಆಡಳಿತ ಕನ್ನಡ ಪದಗಳು ಮತ್ತು ತಾಂತ್ರಿಕ/ ಕಂಪ್ಯೂಟರ್ ಪಾರಿಭಾಷಿಕ ಪದಗಳು.

**ಆಡಳಿತ ಕನ್ನಡ ಕಲಿಕೆಯ ಫಲಿತಾಂಶಗಳು:**

- ಆಡಳಿತ ಭಾಷೆ ಕನ್ನಡದ ಪರಿಚಯವಾಗುತ್ತದೆ.
- ವಿದ್ಯಾರ್ಥಿಗಳಲ್ಲಿ ಕನ್ನಡ ಭಾಷೆಯ ವ್ಯಾಕರಣದ ಬಗ್ಗೆ ಅರಿವು ಮೂಡುತ್ತದೆ.
- ಕನ್ನಡ ಭಾಷಾ ರಚನೆಯಲ್ಲಿನ ನಿಯಮಗಳು ಮತ್ತು ಲೇಖನ ಚಿಹ್ನೆಗಳು ಪರಿಚಯಿಸಲ್ಪಡುತ್ತವೆ.
- ಸಾಮಾನ್ಯ ಅರ್ಜಿಗಳು, ಸರ್ಕಾರಿ ಮತ್ತು ಅರೆ ಸರ್ಕಾರಿ ಪತ್ರವ್ಯವಹಾರದ ಬಗ್ಗೆ ಅರಿವು ಮೂಡುತ್ತದೆ.
- ಭಾಷಾಂತರ ಮತ್ತು ಪ್ರಬಂಧ ರಚನೆ ಬಗ್ಗೆ ಅಸಕ್ತಿ ಮೂಡುತ್ತದೆ.
- ಕನ್ನಡ ಭಾಷಾಭ್ಯಾಸ ಮತ್ತು ಸಾಮಾನ್ಯ ಕನ್ನಡ ಹಾಗೂ ಆಡಳಿತ ಕನ್ನಡದ ಪದಗಳು ಪರಿಚಯಿಸಲ್ಪಡುತ್ತವೆ.

**ಪರೀಕ್ಷೆಯ ವಿಧಾನ : ನಿರಂತರ ಆಂತರಿಕ ಮೌಲ್ಯಮಾಪನ - ಅಪಞ (ಅಡ್ಮಿನ್‌ಸ್ಟ್ರೇಟಿವ್ ಐಟಿಟಿ ಇಂಟಿಟಿಟಿಟಿಟಿ):**

ಕಾಲೇಜು ಮಟ್ಟದಲ್ಲಿಯೇ ಆಂತರಿಕ ಪರೀಕ್ಷೆಯನ್ನು 100 ಅಂಕಗಳಿಗೆ ವಿಶ್ವವಿದ್ಯಾಲಯದ ನಿಯಮಗಳು ಮತ್ತು ನಿರ್ದೇಶನದಂತೆ ನಡೆಸತಕ್ಕದ್ದು.

**ಪಠ್ಯಪುಸ್ತಕ : ಆಡಳಿತ ಕನ್ನಡ ಪಠ್ಯ ಪುಸ್ತಕ (ಎಚ್‌ಟಿಟಿಟಿಟಿಟಿಟಿ ಜಿಡಿ ಎಂಟಿಟಿಟಿಟಿಟಿಟಿಟಿಟಿಟಿಟಿ):**

ಸಂಪಾದಕರು

ಡಾ. ಎಲ್. ತಿಮ್ಮೇಶ

ಪ್ರೊ. ವಿ. ಕೇಶವಮೂರ್ತಿ

ಪ್ರಕಟಣೆ : ಪ್ರಸಾರಾಂಗ, ವಿಶ್ವೇಶ್ವರಯ್ಯ ತಾಂತ್ರಿಕ ವಿಶ್ವವಿದ್ಯಾಲಯ, ಬೆಳಗಾವಿ.

**B. E. (Common to all Programmes)**  
**Choice Based Credit System (CBCS) and Outcome Based Education (OBE)**  
**SEMESTER –II & III/IV**  
**Vyavaharika Kannada**

Course Code	18KVK28/39/49		
Teaching Hours/Week (L:T:P)	(0:2:0)	CIE Marks	100
Credits	01		

**Course Learning Objectives:**

The course will enable the students to understand Kannada and communicate in Kannada language.

**Table of Contents:**

- Chapter - 1: Vyavaharika kannada – Parichaya (Introduction to Vyavaharika Kannada).  
Chapter - 2: Kannada Aksharamale haagu uchcharane ( Kannada Alpabets and Pronunciation).  
Chapter - 3: Sambhashanegaagi Kannada Padagalu (Kannada Vocabulary for Communication).  
Chapter - 4: Kannada Grammar in Conversations (Sambhashaneyalli Kannada Vyakarana).  
Chapter - 5: Activities in Kannada.

**Course Outcomes:**

At the end of the course, the student will be able to understand Kannada and communicate in Kannada language.

**ಪರೀಕ್ಷೆಯ ವಿಧಾನ :** ನಿರಂತರ ಆಂತರಿಕ ಮೌಲ್ಯಮಾಪನ - ಅಭಿಜ್ಞ (ಅಡ್ವಾನ್ಸೆಡ್ ಲೆವೆಲ್ ಇನ್ಟಿಗ್ರೇಟೆಡ್):

ಕಾಲೇಜು ಮಟ್ಟದಲ್ಲಿಯೇ ಆಂತರಿಕ ಪರೀಕ್ಷೆಯನ್ನು 100 ಅಂಕಗಳಿಗೆ ವಿಶ್ವವಿದ್ಯಾಲಯದ  
ನಿಯಮಗಳು ಮತ್ತು ನಿರ್ದೇಶನದಂತೆ ನಡೆಸತಕ್ಕದ್ದು.

**ಖಜಾನಾ (ಪಠ್ಯಪುಸ್ತಕ):** ವ್ಯಾವಹಾರಿಕ ಕನ್ನಡ ಪಠ್ಯ ಪುಸ್ತಕ (ಗಿರಿಚಿತ್ತಿಚಿತ್ತಿಚಿ ಎಚಿಟಿಟಿಚಿಚಿ ಖಜಾನಾ :ಆಞಾ)  
ಸಂಪಾದಕರು

**ಡಾ. ಎಲ್. ತಿಮ್ಮೇಶ**

**ಪ್ರೊ. ವಿ. ಕೇಶವಮೂರ್ತಿ**

**ಪ್ರಕಟಣೆ :** ಪ್ರಸಾರಾಂಗ, ವಿಶ್ವೇಶ್ವರಯ್ಯ ತಾಂತ್ರಿಕ ವಿಶ್ವವಿದ್ಯಾಲಯ, ಬೆಳಗಾವಿ.

**B. E. Common to all Programmes**  
**Choice Based Credit System (CBCS) and Outcome Based Education (OBE)**  
**SEMESTER - III**

**CONSTITUTION OF INDIA, PROFESSIONAL ETHICS AND CYBER LAW (CPC)**

Course Code	<b>18CPC39/49</b>	CIE Marks	40
Teaching Hours/Week (L:T:P)	(1:0:0)	SEE Marks	60
Credits	01	Exam Hours	02

**Course Learning Objectives: To**

- know the fundamental political codes, structure, procedures, powers, and duties of Indian government institutions, fundamental rights, directive principles, and the duties of citizens
- Understand engineering ethics and their responsibilities; identify their individual roles and ethical responsibilities towards society.
- Know about the cybercrimes and cyber laws for cyber safety measures.

**Module-1**

**Introduction to Indian Constitution:**

The Necessity of the Constitution, The Societies before and after the Constitution adoption. Introduction to the Indian constitution, The Making of the Constitution, The Role of the Constituent Assembly - Preamble and Salient features of the Constitution of India. Fundamental Rights and its Restriction and limitations in different Complex Situations. Directive Principles of State Policy (DPSP) and its present relevance in our society with examples. Fundamental Duties and its Scope and significance in Nation building.

**Module-2**

**Union Executive and State Executive:**

Parliamentary System, Federal System, Centre-State Relations. Union Executive – President, Prime Minister, Union Cabinet, Parliament - LS and RS, Parliamentary Committees, Important Parliamentary Terminologies. Supreme Court of India, Judicial Reviews and Judicial Activism. State Executives – Governor, Chief Minister, State Cabinet, State Legislature, High Court and Subordinate Courts, Special Provisions (Articles 370,371,371J) for some States.

**Module-3**

**Elections, Amendments and Emergency Provisions:**

Elections, Electoral Process, and Election Commission of India, Election Laws. Amendments - Methods in Constitutional Amendments (How and Why) and Important Constitutional Amendments. Amendments – 7,9,10,12,42,44, 61, 73,74, ,75, 86, and 91,94,95,100,101,118 and some important Case Studies. Emergency Provisions, types of Emergencies and its consequences.

**Constitutional special provisions:**

Special Provisions for SC and ST, OBC, Women, Children and Backward Classes.

**Module-4**

**Professional / Engineering Ethics:**

Scope & Aims of Engineering & Professional Ethics - Business Ethics, Corporate Ethics, Personal Ethics. Engineering and Professionalism, Positive and Negative Faces of Engineering Ethics, Code of Ethics as defined in the website of Institution of Engineers (India): Profession, Professionalism, and Professional Responsibility. Clash of Ethics, Conflicts of Interest. Responsibilities in Engineering Responsibilities in Engineering and Engineering Standards, the impediments to Responsibility. Trust and Reliability in Engineering, IPRs (Intellectual Property Rights), Risks, Safety and liability in Engineering

**Module-5**

**Internet Laws, Cyber Crimes and Cyber Laws:**

Internet and Need for Cyber Laws, Modes of Regulation of Internet, Types of cyber terror capability, Net neutrality, Types of Cyber Crimes, India and cyber law, Cyber Crimes and the information Technology Act 2000, Internet Censorship. Cybercrimes and enforcement agencies.

**Course Outcomes:** On completion of this course, students will be able to,

- CO 1: Have constitutional knowledge and legal literacy.
- CO 2: Understand Engineering and Professional ethics and responsibilities of Engineers.
- CO 3: Understand the the cybercrimes and cyber laws for cyber safety measures.

**Question paper pattern for SEE and CIE:**

- The SEE question paper will be set for 100 marks and the marks scored by the students will proportionately be reduced to 60. The pattern of the question paper will be objective type (MCQ).
- For the award of 40 CIE marks, refer the University regulations 2018.

<b>Sl. No.</b>	<b>Title of the Book</b>	<b>Name of the Author/s</b>	<b>Name of the Publisher</b>	<b>Edition and Year</b>
<b>Textbook/s</b>				
1	Constitution of India, Professional Ethics and Human Rights	Shubham Singles, Charles E. Haries, and et al	Cengage Learning India	2018
2	Cyber Security and Cyber Laws	Alfred Basta and et al	Cengage Learning India	2018
<b>Reference Books</b>				
3	Introduction to the Constitution of India	Durga Das Basu	Prentice –Hall,	2008.
4	Engineering Ethics	M. Govindarajan, S. Natarajan, V. S. Senthilkumar	Prentice –Hall,	2004

**B. E. Common to all Programmes**  
**Choice Based Credit System (CBCS) and Outcome Based Education (OBE)**  
**SEMESTER - III**

**ADDITIONAL MATHEMATICS – I**

(Mandatory Learning Course: Common to All Programmes)

(A Bridge course for Lateral Entry students under Diploma quota to BE/B.Tech. programmes)

Course Code	<b>18MATDIP31</b>	CIE Marks	40
Teaching Hours/Week (L:T:P)	(2:1:0)	SEE Marks	60
Credits	0	Exam Hours	03

**Course Learning Objectives:**

- To provide basic concepts of complex trigonometry, vector algebra, differential and integral calculus.
- To provide an insight into vector differentiation and first order ODE's.

**Module-1**

**Complex Trigonometry:** Complex Numbers: Definitions and properties. Modulus and amplitude of a complex number, Argand's diagram, De-Moivre's theorem (without proof).

**Vector Algebra:** Scalar and vectors. Addition and subtraction and multiplication of vectors- Dot and Cross products, problems.

**Module-2**

**Differential Calculus:** Review of elementary differential calculus. Polar curves –angle between the radius vector and the tangent pedal equation- Problems. Maclaurin's series expansions, problems.

**Partial Differentiation:** Euler's theorem for homogeneous functions of two variables. Total derivatives - differentiation of composite function. Application to Jacobians of order two.

**Module-3**

**Vector Differentiation:** Differentiation of vector functions. Velocity and acceleration of a particle moving on a space curve. Scalar and vector point functions. Gradient, Divergence, Curl and Laplacian (Definitions only). Solenoidal and irrotational vector fields-Problems.

**Module-4**

**Integral Calculus:** Review of elementary integral calculus. Statement of reduction formulae for  $\sin^n x$ ,  $\cos^n x$ , and  $\sin^m x \times \cos^n x$  and evaluation of these with standard limits-Examples. Double and triple integrals, problems.

**Module-5**

**Ordinary differential equations (ODE's):** Introduction-solutions of first order and first degree differential equations: Variable Separable methods, exact and linear differential equations of order one. Application to Newton's law of cooling.

**Course Outcomes:** At the end of the course the student will be able to:

- CO1: Apply concepts of complex numbers and vector algebra to analyze the problems arising in related area.
- CO2: Use derivatives and partial derivatives to calculate rate of change of multivariate functions.
- CO3: Analyze position, velocity and acceleration in two and three dimensions of vector valued functions. CO4: Learn techniques of integration including the evaluation of double and triple integrals.
- CO5: Identify and solve first order ordinary differential equations.

**Question paper pattern:**

3. The question paper will have ten full questions carrying equal marks.
4. Each full question will be for 20 marks.

- There will be two full questions (with a maximum of four sub- questions) from each module.

Sl. No.	Title of the Book	Name of the Author/s	Name of the Publisher	Edition and Year
---------	-------------------	----------------------	-----------------------	------------------

**Textbook**

1	Higher Engineering Mathematics	B.S. Grewal	Khanna Publishers	43 <sup>rd</sup> Edition, 2015
---	--------------------------------	-------------	-------------------	--------------------------------

**Reference Books**

- |   |                                     |              |                      |                                |
|---|-------------------------------------|--------------|----------------------|--------------------------------|
| 1 | Advanced Engineering<br>Mathematics | E. Kreyszig  | John Wiley &<br>Sons | 10 <sup>th</sup> Edition, 2015 |
| 2 | Engineering Mathematics Vol.I       | RohitKhurana | Cengage<br>Learning  | 2015                           |

**BE 2018 Scheme Fourth Semester Syllabus EC / TC**

<b>B. E. Common to all Programmes</b> <b>Choice Based Credit System (CBCS) and Outcome Based Education (OBE)</b> <b>SEMESTER - IV</b>			
<b>COMPLEX ANALYSIS, PROBABILITY AND STATISTICAL METHODS</b>			
Course Code	<b>18MAT41</b>	CIE Marks	40
Teaching Hours/Week (L:T:P)	(2:2:0)	SEE Marks	60
Credits	03	Exam Hours	03
<b>Course Learning Objectives:</b> <ul style="list-style-type: none"> <li>To provide an insight into applications of complex variables, conformal mapping and special functions arising in potential theory, quantum mechanics, heat conduction and field theory.</li> <li>To develop probability distribution of discrete, continuous random variables and joint probability distribution occurring in digital signal processing, design engineering and microwave engineering.</li> </ul>			
<b>Module-1</b> <b>Calculus of complex functions:</b> Review of function of a complex variable, limits, continuity, and differentiability. Analytic functions: Cauchy-Riemann equations in Cartesian and polar forms and consequences. <b>Construction of analytic functions:</b> Milne-Thomson method-Problems.			
<b>Module-2</b> <b>Conformal transformations:</b> Introduction. Discussion of transformations: $w = Z^2, w = e^z, w = z + \frac{1}{z}, (z \neq 0)$ . Bilinear transformations- Problems. <b>Complex integration:</b> Line integral of a complex function-Cauchy's theorem and Cauchy's integral formula and problems.			
<b>Module-3</b> <b>Probability Distributions:</b> Review of basic probability theory. Random variables (discrete and continuous), probability mass/density functions. Binomial, Poisson, exponential and normal distributions- problems (No derivation for mean and standard deviation)-Illustrative examples.			
<b>Module-4</b> <b>Statistical Methods:</b> Correlation and regression-Karl Pearson's coefficient of correlation and rank correlation -problems. Regression analysis- lines of regression -problems. <b>Curve Fitting:</b> Curve fitting by the method of least squares- fitting the curves of the form- $y = ax + b, y = ax^b$ and $y = ax^2 + bx + c$ .			
<b>Module-5</b> <b>Joint probability distribution:</b> Joint Probability distribution for two discrete random variables, expectation and covariance. <b>Sampling Theory:</b> Introduction to sampling distributions, standard error, Type-I and Type-II errors. Test of hypothesis for means, student's t-distribution, Chi-square distribution as a test of goodness of fit.			
<b>Course Outcomes:</b> At the end of the course the student will be able to: <ul style="list-style-type: none"> <li>Use the concepts of analytic function and complex potentials to solve the problems arising in electromagnetic field theory.</li> <li>Utilize conformal transformation and complex integral arising in aerofoil theory, fluid flow visualization and image processing.</li> <li>Apply discrete and continuous probability distributions in analyzing the probability models arising in engineering field.</li> <li>Make use of the correlation and regression analysis to fit a suitable mathematical model for the statistical data.</li> <li>Construct joint probability distributions and demonstrate the validity of testing the hypothesis.</li> </ul>			
<b>Question paper pattern:</b>			

5. The question paper will have ten full questions carrying equal marks.
6. Each full question will be for 20 marks.
  - There will be two full questions (with a maximum of four sub-questions) from each module.

Sl. No.	Title of the Book	Name of the Author/s	Name of the Publisher	Edition and Year
<b>Textbooks</b>				
1	Advanced Engineering Mathematics	E. Kreyszig	John Wiley & Sons	10 <sup>th</sup> Edition,2016
2	Higher Engineering Mathematics	B. S. Grewal	Khanna Publishers	44 <sup>th</sup> Edition, 2017
3	Engineering Mathematics	Srimanta Pal et al	Oxford University Press	3 <sup>rd</sup> Edition,2016
<b>Reference Books</b>				
1	Advanced Engineering Mathematics	C. Ray Wylie, Louis C.Barrett	McGraw-Hill	6 <sup>th</sup> Edition 1995
2	Introductory Methods of Numerical Analysis	S.S.Sastry	Prentice Hall of India	4 <sup>th</sup> Edition 2010
3	Higher Engineering Mathematics	B. V. Ramana	McGraw-Hill	11 <sup>th</sup> Edition,2010
4	A Text Book of Engineering Mathematics	N. P. Bali and Manish Goyal	Laxmi Publications	2014
<b>Web links and Video Lectures:</b>				
<ol style="list-style-type: none"> <li>1. <a href="http://nptel.ac.in/courses.php?disciplineID=111">http://nptel.ac.in/courses.php?disciplineID=111</a></li> <li>2. <a href="http://www.class-central.com/subject/math(MOOCs)">http://www.class-central.com/subject/math(MOOCs)</a></li> <li>3. <a href="http://academicearth.org/">http://academicearth.org/</a></li> <li>4. VTU EDUSAT PROGRAMME - 20</li> </ol>				



**B. E. (EC / TC)**  
**Choice Based Credit System (CBCS) and Outcome Based Education (OBE)**  
**SEMESTER – IV**

**ANALOG CIRCUITS**

<b>Subject Code</b>	<b>18EC42</b>	<b>CIE Marks</b>	<b>40</b>
<b>Number of Lecture Hours/Week</b>	<b>3+2 (Tutorial)</b>	<b>SEE Marks</b>	<b>60</b>
		<b>Exam Hours</b>	<b>03</b>

**CREDITS – 04**

**Course Learning Objectives:** This course will enable students to:

- Explain various BJT parameters, connections and configurations.
- Design and demonstrate the diode circuits and transistor amplifiers.
- Explain various types of FET biasing, and demonstrate the use of FET amplifiers.
- Construct frequency response of FET amplifiers at various frequencies.
- Analyze Power amplifier circuits in different modes of operation.
- Construct Feedback and Oscillator circuits using FET.

<b>Modules</b>	<b>RBT Level</b>
----------------	------------------

**Module -1**

**BJT Biasing: Biasing in BJT amplifier circuits:** The Classical Discrete circuit bias (Voltage-divider bias), Biasing using a collector to base feedback resistor.

**Small signal operation and Models:** Collector current and transconductance, Base current and input resistance, Emitter current and input resistance, voltage gain, Separating the signal and the DC quantities, The hybrid  $\Pi$  model.

**MOSFETs: Biasing in MOS amplifier circuits:** Fixing  $V_{GS}$ , Fixing  $V_G$ , Drain to Gate feedback resistor.

**Small signal operation and modeling:** The DC bias point, signal current in drain, voltage gain, small signal equivalent circuit models, transconductance.

[Text 1: 3.5(3.5.1, 3.5.3), 3.6(3.6.1 to 3.6.6), 4.5(4.5.1, 4.5.2, 4.5.3), 4.6(4.6.1 to 4.6.6) ]

**L1, L2,L3**

**Module -2**

**MOSFET Amplifier configuration:** Basic configurations, characterizing amplifiers, CS amplifier with and without source resistance  $R_S$ , Source follower.

**MOSFET internal capacitances and High frequency model:** The gate capacitive effect, Junction capacitances, High frequency model.

**Frequency response of the CS amplifier:** The three frequency bands, high frequency response, Low frequency response.

**Oscillators:** FET based Phase shift oscillator, LC and Crystal Oscillators (no derivation)

[Text 1: 4.7(4.7.1 to 4.7.4, 4.7.6) 4.8(4.8.1, 4.8.2, 4.8.3), 4.9, 12.2.2, 12.3.1, 12.3,2]

**L1, L2, L3**

**Module -3**

**Feedback Amplifier:** General feedback structure, Properties of negative feedback, The Four Basic Feedback Topologies, The series-shunt, series-series, shunt-shunt and shunt-series amplifiers (Qualitative Analysis).

**Output Stages and Power Amplifiers:** Introduction, Classification of output stages,, Class A output stage, Class B output stage: Transfer Characteristics, Power Dissipation, Power Conversion efficiency, Class AB output stage, Class C tuned Amplifier.

[Text 1: 7.1, 7.2, 7.3, 7.4.1, 7.5.1, 7.6 (7.6.1 to 7.6.3), 13.1, 13.2, 13.3(13.3.1, 13.3.2, 13.3.3, 13.4, 13.7)]

**L1, L2, L3**

**Module -4**

**Op-Amp with Negative Feedback and general applications**

Inverting and Non inverting Amplifiers – Closed Loop voltage gain, Input impedance, Output impedance, Bandwidth with feedback. DC and AC Amplifiers, Summing, Scaling and Averaging Amplifiers, Instrumentation amplifier, Comparators, Zero Crossing Detector, Schmitt trigger.

[Text 2: 3.3(3.3.1 to 3.3.6), 3.4(3.4.1 to 3.4.5) 6.2, 6.5, 6.6 (6.6.1), 8.2, 8.3, 8.4]

**L1,L2, L3**

### Module -5

**Op-Amp Circuits:** DAC - Weighted resistor and R-2R ladder, ADC- Successive approximation type, Small Signal half wave rectifier, Active Filters, First and second order low-pass and high-pass Butterworth filters, Band-pass filters, Band reject filters.

**555 Timer and its applications:** Monostable and a stable Multivibrators.

[Text 2: 8.11(8.11.1a, 8.11.1b), 8.11.2a, 8.12.2, 7.2, 7.3, 7.4, 7.5, 7.6, 7.8, 7.9, 9.4.1, 9.4.1(a), 9.4.3, 9.4.3(a)]

L1, L2, L3

**Course Outcomes:**At the end of this course students will demonstrate the ability to

- Understand the characteristics of BJTs and FETs.
- Design and analyze BJT and FET amplifier circuits.
- Design sinusoidal and non-sinusoidal oscillators.
- Understand the functioning of linear ICs.
- Design of Linear IC based circuits.

#### Question paper pattern:

- Examination will be conducted for 100 marks with question paper containing 10 full questions, each of 20 marks.
- Each full question can have a maximum of 4 sub questions.
- There will be 2 full questions from each module covering all the topics of the module.
- Students will have to answer 5 full questions, selecting one full question from each module.
- The total marks will be proportionally reduced to 60 marks as SEE marks is 60.

#### Text Books:

1. Microelectronic Circuits, Theory and Applications, Adel S Sedra, Kenneth C Smith, 6<sup>th</sup> Edition, Oxford, 2015.ISBN:978-0-19-808913-1
2. Op-Amps and Linear Integrated Circuits, Ramakant A Gayakwad, 4<sup>th</sup> Edition. Pearson Education, 2000. ISBN: 8120320581

#### Reference Books:

1. Electronic Devices and Circuit Theory, Robert L Boylestad and Louis Nashelsky, 11<sup>th</sup> Edition, Pearson Education, 2013, ISBN: 978-93-325-4260-0.
2. Fundamentals of Microelectronics, BehzadRazavi, 2<sup>nd</sup> Edition, John Weily, 2015, ISBN 978-81-265-7135-2
3. J.Millman&C.C.Halkias—Integrated Electronics, 2<sup>nd</sup> edition, 2010, TMH. ISBN 0-07-462245-5

<p style="text-align: center;"><b>B. E. (EC / TC)</b>  <b>Choice Based Credit System (CBCS) and Outcome Based Education (OBE)</b>  <b>SEMESTER – III</b></p>			
<b>CONTROL SYSTEMS</b>			
<b>Course Code</b>	<b>18EC43</b>	<b>CIE Marks</b>	<b>40</b>
<b>Number of Lecture Hours/Week</b>	<b>3</b>	<b>SEE Marks</b>	<b>60</b>
<b>Total Number of Lecture Hours</b>	<b>40 (08 Hours per Module)</b>	<b>Exam Hours</b>	<b>03</b>
<b>CREDITS – 03</b>			
<p><b>Course Learning Objectives:</b> This course will enable students to:</p> <ul style="list-style-type: none"> <li>• Understand the basic features, configurations and application of control systems.</li> <li>• Understand various terminologies and definitions for the control systems.</li> <li>• Learn how to find a mathematical model of electrical, mechanical and electro- mechanical systems.</li> <li>• Know how to find time response from the transfer function.</li> <li>• Find the transfer function via Mason's rule.</li> <li>• Analyze the stability of a system from the transfer function.</li> </ul>			
<b>Modules</b>			<b>RBT Level</b>
<b>Module – 1</b>			
<p><b>Introduction to Control Systems:</b> Types of Control Systems, Effect of Feedback Systems, Differential equation of Physical Systems –Mechanical Systems, Electrical Systems, Electromechanical systems, Analogous Systems.</p>			<b>L1, L2, L3</b>
<b>Module – 2</b>			
<p><b>Block diagrams and signal flow graphs:</b> Transfer functions, Block diagram algebra and Signal Flow graphs.</p>			<b>L1, L2, L3</b>
<b>Module – 3</b>			
<p><b>Time Response of feedback control systems:</b> Standard test signals, Unit step response of First and Second order Systems. Time response specifications, Time response specifications of second order systems, steady state errors and error constants. Introduction to PI, PD and PID Controllers (excluding design).</p>			<b>L1, L2, L3</b>
<b>Module – 4</b>			
<p><b>Stability analysis:</b> Concepts of stability, Necessary conditions for Stability, Routh stability criterion, Relative stability analysis: more on the Routh stability criterion. Introduction to Root-Locus Techniques, The root locus concepts, Construction of rootloci.</p> <p><b>Frequency domain analysis and stability:</b> Correlation between time and frequency response, Bode Plots, Experimental determination of transfer function.</p>			<b>L1, L2, L3</b>
<b>Module – 5</b>			

Introduction to Polar Plots, (Inverse Polar Plots excluded) Mathematical preliminaries, Nyquist Stability criterion, (System s with transportation lag excluded)  
Introduction to lead, lag and lead- lag compensating networks (excluding design).  
**Introduction to State variable analysis:** Concepts of state, state variable and state models for electrical systems, Solution of state equations.

**L1, L2, L3**

**Course Outcomes:** At the end of the course, the students will be able to

- Develop the mathematical model of mechanical and electrical systems.
- Develop transfer function for a given control system using block diagram reduction techniques and signal flow graph method.
- Determine the time domain specifications for first and second order systems.
- Determine the stability of a system in the time domain using Routh-Hurwitz criterion and Root-locus technique.
- Determine the stability of a system in the frequency domain using Nyquist and bode plots.

**Question paper pattern:**

- Examination will be conducted for 100 marks with question paper containing 10 full questions, each of 20 marks.
- Each full question can have a maximum of 4 sub questions.
- There will be 2 full questions from each module covering all the topics of the module.
- Students will have to answer 5 full questions, selecting one full question from each module.
- The total marks will be proportionally reduced to 60 marks as SEE marks is 60.

**Text Book:**

J. Nagarath and M.Gopal, “ Control Systems Engineering”, New Age International(P) Limited, Publishers, Fifth edition- 2005, ISBN: 81 - 224 - 2008-7.

**Reference Books:**

1. “Modern Control Engineering,” K.Ogata, Pearson Education Asia/ PHI, 4<sup>th</sup> Edition, 2002. ISBN 978 - 81 - 203 - 4010 - 7.
2. “Automatic Control Systems”, Benjamin C. Kuo, John Wiley India Pvt. Ltd., 8<sup>th</sup> Edition, 2008.
3. “Feedback and Control System,” Joseph J Distefano III et al., Schaum’s Outlines, TMH, 2<sup>nd</sup> Edition 2007.

**B. E. (EC / TC)**  
**Choice Based Credit System (CBCS) and Outcome Based Education (OBE)**  
**SEMESTER – IV**

**ENGINEERING STATISTICS and LINEAR ALGEBRA**

<b>Course Code</b>	<b>18EC44</b>	<b>CIE Marks</b>	<b>40</b>
<b>Number of Lecture Hours/Week</b>	<b>03</b>	<b>SEE Marks</b>	<b>60</b>
<b>Total Number of Lecture Hours</b>	<b>40 (8 Hours per Module)</b>	<b>Exam Hours</b>	<b>03</b>

**CREDITS – 03**

**Course Learning Objectives:** This course will enable students to:

- Understand and Analyze Single and Multiple Random Variables, and their extension to Random Processes.
- Familiarization with the concept of Vector spaces and orthogonality with a qualitative insight into applications in communications.
- Compute the quantitative parameters for functions of single and Multiple Random Variables and Processes.
- Compute the quantitative parameters for Matrices and Linear Transformations.

**Module-1**

**RBT Level**

**Single Random Variables:** Definition of random variables, cumulative distribution function continuous and discrete random variables; probability mass function, probability density functions and properties; Expectations, Characteristic functions, Functions of single Random Variables, Conditioned Random variables. Application exercises to Some special distributions: Uniform, Exponential, Laplace, Gaussian; Binomial, and Poisson distribution. **(Chapter 4 Text 1)**

**L1, L2, L3**

**Module -2**

**Multiple Random variables:** Concept, Two variable CDF and PDF, Two Variable expectations (Correlation, orthogonality, Independent), Two variable transformation, Two Gaussian Random variables, Sum of two independent Random Variables, Sum of IID Random Variables – Central limit Theorem and law of large numbers, Conditional joint Probabilities, Application exercises to Chi-square RV, Student-T RV, Cauchy and Rayleigh RVs. **(Chapter 5 Text 1)**

**L1, L2, L3**

**Module-3**

**Random Processes:** Ensemble, PDF, Independence, Expectations, Stationarity, Correlation Functions (ACF, CCF, Addition, and Multiplication), Ergodic Random Processes, Power Spectral Densities (Wiener Khinchin, Addition and Multiplication of RPs, Cross spectral densities), Linear Systems (output Mean, Cross correlation and Auto correlation of Input and output), Exercises with Noise. **(Chapter 6 Text 1)**

**L1, L2, L3**

**Module -4**

**Vector Spaces:** Vector spaces and Null subspaces, Rank and Row reduced form, Independence, Basis and dimension, Dimensions of the four subspaces, Rank-Nullity Theorem, Linear Transformations  
**Orthogonality:** Orthogonal Vectors and Subspaces, Projections and Least squares, Orthogonal Bases and Gram- Schmidt Orthogonalization procedure. **(Refer Chapters 2 and 3 Text 2)**

**L1, L2, L3**

**Module -5**

<p><b>Determinants:</b> Properties of Determinants, Permutations and Cofactors. (<b>Refer Chapter 4, Text 2</b>)</p> <p><b>Eigenvalues and Eigen vectors:</b> Review of Eigenvalues and Diagonalization of a Matrix, Special Matrices (Positive Definite, Symmetric) and their properties, Singular Value Decomposition. (<b>Refer Chapter 5, Text 2</b>)</p>	<p><b>L1, L2, L3</b></p>
<p><b>Course Outcomes:</b> After studying this course, students will be able to:</p> <ul style="list-style-type: none"> <li>• Identify and associate Random Variables and Random Processes in Communication events.</li> <li>• Analyze and model the Random events in typical communication events to extract quantitative statistical parameters.</li> <li>• Analyze and model typical signal sets in terms of a basis function set of Amplitude, phase and frequency.</li> <li>• Demonstrate by way of simulation or emulation the ease of analysis employing basis functions, statistical representation and Eigen values.</li> </ul>	
<p><b>Question paper pattern:</b></p> <ul style="list-style-type: none"> <li>• Examination will be conducted for 100 marks with question paper containing 10 full questions, each of 20 marks.</li> <li>• Each full question can have a maximum of 4 sub questions.</li> <li>• There will be 2 full questions from each module covering all the topics of the module.</li> <li>• Students will have to answer 5 full questions, selecting one full question from each module.</li> <li>• The total marks will be proportionally reduced to 60 marks as SEE marks is 60.</li> </ul>	
<p><b>Text Books:</b></p> <ol style="list-style-type: none"> <li>1. Richard H Williams, “Probability, Statistics and Random Processes for Engineers” Cengage Learning, 1st Edition, 2003, ISBN 13: 978-0-534- 36888-3, ISBN 10: 0-534-36888-3.</li> <li>2. Gilbert Strang, “Linear Algebra and its Applications”, Cengage Learning, 4th Edition, 2006, ISBN 97809802327</li> </ol>	
<p><b>Reference Books:</b></p> <ol style="list-style-type: none"> <li>1. Hwei P. Hsu, “Theory and Problems of Probability, Random Variables, and Random Processes” Schaums Outline Series, McGraw Hill. ISBN 10: 0-07- 030644-3.</li> <li>2. K. N. HariBhat, K Anitha Sheela, Jayant Ganguly, “Probability Theory and Stochastic Processes for Engineers”, Cengage Learning India, 2019, ISBN: Not in book</li> </ol>	

**B. E. (EC / TC)**  
**Choice Based Credit System (CBCS) and Outcome Based Education (OBE)**  
**SEMESTER – IV**

**SIGNALS AND SYSTEMS**

<b>Course Code</b>	<b>18EC45</b>	<b>CIE Marks</b>	<b>40</b>
<b>Number of Lecture Hours/Week</b>	<b>03</b>	<b>SEE Marks</b>	<b>60</b>
<b>Total Number of Lecture Hours</b>	<b>40 (8 Hours per Module)</b>	<b>Exam Hours</b>	<b>03</b>

**CREDITS – 03**

**Course Learning Objectives:** This course will enable students to:

- Understand the mathematical description of continuous and discrete time signals and systems.
- Analyze the signals in time domain using convolution sum and Integral.
- Classify signals into different categories based on their properties.
- Analyze Linear Time Invariant (LTI) systems in time and transform domains.

<b>Module-1</b>	<b>RBT Level</b>
-----------------	------------------

**Introduction and Classification of signals:** Definition of signal and systems, communication and control system as examples Classification of signals.

**Basic Operations on signals:** Amplitude scaling, addition, multiplication, differentiation, integration, time scaling, time shift and time reversal.

**Elementary signals/Functions:** Exponential, sinusoidal, step, impulse and ramp functions. Expression of triangular, rectangular and other waveforms in terms of elementary signals.

**L1, L2, L3**

**Module -2**

**System Classification and properties:** Linear-nonlinear, Time variant-invariant, causal-noncausal, static-dynamic, stable-unstable, invertible.

**Time domain representation of LTI System:** Impulse response, convolution sum, convolution integral. Computation of convolution sum and convolution integral using graphical method for unit step and unit step, unit step and exponential, exponential and exponential, unit step and rectangular, and rectangular and rectangular.

**L1, L2, L3**

**Module-3**

**LTI system Properties in terms of impulse response:** System interconnection, Memory less, Causal, Stable, Invertible and Deconvolution, and step response.

**Fourier Representation of Periodic Signals:** CTF Sproperties and basic problems.

**L1, L2, L3**

**Module -4**

**Fourier Representation of aperiodic Signals:** Introduction to Fourier Transform & DTFT, Definition and basic problems.

**Properties of Fourier Transform:** Linearity, Time shift, Frequency shift, Scaling, Differentiation and Integration, Convolution and Modulation, Parseval's theorem and problems on properties of Fourier Transform.

**L1, L2, L3**

**Module -5**

**The Z-Transforms:** Z transform, properties of the region of convergence, properties of the Z-transform, Inverse Z-transform, Causality and stability, Transform analysis of LTI systems.

**L1, L2, L3**

**Course Outcomes:** At the end of the course, students will be able to:

- Analyze the different types of signals and systems.
- Determine the linearity, causality, time-invariance and stability properties of continuous and discrete time systems.
- Represent continuous and discrete systems in time and frequency domain using different transforms  
Test whether the system is stable.

**Question paper pattern:**

- Examination will be conducted for 100 marks with question paper containing 10 full questions, each of 20 marks.
- Each full question can have a maximum of 4 sub questions.
- There will be 2 full questions from each module covering all the topics of the module.
- Students will have to answer 5 full questions, selecting one full question from each module.
- The total marks will be proportionally reduced to 60 marks as SEE marks is 60.

**Text Book:**

**Simon Haykins and Barry Van Veen**, “Signals and Systems”, 2nd Edition, 2008, Wiley India. ISBN 9971-51-239-4.

**Reference Books:**

1. **Michael Roberts**, “Fundamentals of Signals & Systems”, 2nd edition, Tata McGraw-Hill, 2010, ISBN 978-0-07-070221-9.
2. **Alan V Oppenheim, Alan S, Willsky and A Hamid Nawab**, “Signals and Systems” Pearson Education Asia / PHI, 2nd edition, 1997. Indian Reprint 2002.
3. **H.P Hsu, R. Ranjan**, “Signals and Systems”, Scham’s outlines, TMH, 2006.
4. **B. P. Lathi**, “Linear Systems and Signals”, Oxford University Press, 2005.
5. **Ganesh Rao and SatishTunga**, “Signals and Systems”, Pearson/Sanguine.



**B. E. (EC / TC)**  
**Choice Based Credit System (CBCS) and Outcome Based Education (OBE)**  
**SEMESTER – IV**

**MICROCONTROLLER**

<b>Course Code</b>	<b>18EC46</b>	<b>CIE Marks</b>	<b>40</b>
<b>Number of Lecture Hours/Week</b>	<b>03</b>	<b>SEE Marks</b>	<b>60</b>
<b>Total Number of Lecture Hours</b>	<b>40 (8 Hours per Module)</b>	<b>Exam Hours</b>	<b>03</b>

**CREDITS – 03**

**Course Learning Objectives:** This course will enable students to:

- Understand the difference between a Microprocessor and a Microcontroller and embedded microcontrollers.
- Familiarize the basic architecture of 8051 microcontroller.
- Program 8051 microprocessor using Assembly Level Language and C.
- Understand the interrupt system of 8051 and the use of interrupts.
- Understand the operation and use of inbuilt Timers/Counters and Serial port of 8051.
- Interface 8051 to external memory and I/O devices using its I/O ports.

<b>Module-1</b>	<b>RBT Level</b>
<b>8051 Microcontroller:</b> Microprocessor Vs Microcontroller, Embedded Systems, Embedded Microcontrollers, 8051 Architecture- Registers, Pin diagram, I/O ports functions, Internal Memory organization. External Memory (ROM & RAM) interfacing.	<b>L1, L2</b>
<b>Module -2</b>	
<b>8051 Instruction Set:</b> Addressing Modes, Data Transfer instructions, Arithmetic instructions, Logical instructions, Branch instructions, Bit manipulation instructions. Simple Assembly language program examples (without loops) to use these instructions.	<b>L1, L2</b>
<b>Module-3</b>	
<b>8051 Stack, I/O Port Interfacing and Programming:</b> 8051 Stack, Stack and Subroutine instructions. Assembly language program examples on subroutine and involving loops. Interfacing simple switch and LED to I/O ports to switch on/off LED with respect to switch status.	<b>L1, L2, L3</b>
<b>Module -4</b>	
<b>8051 Timers and Serial Port:</b> 8051 Timers and Counters – Operation and Assembly language programming to generate a pulse using Mode-1 and a square wave using Mode-2 on a port pin. 8051 Serial Communication- Basics of Serial Data Communication, RS-232 standard, 9 pin RS232 signals, Simple Serial Port programming in Assembly and C to transmit a message and to receive data serially.	<b>L1, L2, L3</b>
<b>Module -5</b>	
<b>8051 Interrupts and Interfacing Applications:</b> 8051 Interrupts. 8051 Assembly language programming to generate an external interrupt using a switch, 8051 C programming to generate a square waveform on a port pin using a Timer interrupt. Interfacing 8051 to ADC-0804, DAC, LCD and Stepper motor and their 8051 Assembly language interfacing programming.	<b>L1, L2, L3</b>

**Course outcomes:** At the end of the course, students will be able to:

- Explain the difference between Microprocessors & Microcontrollers, Architecture of 8051 Microcontroller, Interfacing of 8051 to external memory and Instruction set of 8051.
- Write 8051 Assembly level programs using 8051 instruction set.
- Explain the Interrupt system, operation of Timers/Counters and Serial port of 8051.
- Write 8051 Assembly language program to generate timings and waveforms using 8051 timers, to send & receive serial data using 8051 serial port and to generate an external interrupt using a switch.
- Write 8051 Assembly language programs to generate square wave on 8051 I/O port pin using interrupt and C Programme to send & receive serial data using 8051 serial port.
- Interface simple switches, simple LEDs, ADC 0804, LCD and Stepper Motor to 8051 using 8051 I/O ports.

**Question paper pattern:**

- Examination will be conducted for 100 marks with question paper containing 10 full questions, each of 20 marks.
- Each full question can have a maximum of 4 sub questions.
- There will be 2 full questions from each module covering all the topics of the module.
- Students will have to answer 5 full questions, selecting one full question from each module.
- The total marks will be proportionally reduced to 60 marks as SEE marks is 60.

**Text Books:**

1. “The 8051 Microcontroller and Embedded Systems – using assembly and C”, Muhammad Ali Mazidi and Janice Gillespie Mazidi and Rollin D. McKinlay; PHI, 2006 / Pearson, 2006.
2. “The 8051 Microcontroller”, Kenneth J. Ayala, 3rd Edition, Thomson/Cengage Learning.

**Reference Books:**

1. “The 8051 Microcontroller Based Embedded Systems”, Manish K Patel, McGraw Hill, 2014, ISBN: 978-93-329-0125-4.
2. “Microcontrollers: Architecture, Programming, Interfacing and System Design”, Raj Kamal, Pearson Education, 2005.

**B. E. (EC / TC)**  
**Choice Based Credit System (CBCS) and Outcome Based Education (OBE)**  
**SEMESTER – IV**

**MICROCONTROLLER LABORATORY**

<b>Laboratory Code</b>	<b>18ECL47</b>	<b>CIE Marks</b>	<b>40</b>
<b>Number of Lecture Hours/Week</b>	<b>02Hr Tutorial (Instructions) + 02 Hours Laboratory</b>	<b>SEE Marks</b>	<b>60</b>
<b>RBT Levels</b>	<b>L1, L2, L3</b>	<b>Exam Hours</b>	<b>03</b>

**CREDITS – 02**

**Course Learning Objectives:** This laboratory course enables students to

- Understand the basics of microcontroller and its applications.
- Have in-depth knowledge of 8051 assembly language programming.
- Understand controlling the devices using C programming.
- The concepts of I/O interfacing for developing real time embedded systems.

**Laboratory Experiments**

**I. PROGRAMMING**

1. Data Transfer: Block Move, Exchange, Sorting, Finding largest element in an array.
2. Arithmetic Instructions - Addition/subtraction, multiplication and division, square, Cube – (16 bits Arithmetic operations – bit addressable).
3. Counters.
4. Boolean & Logical Instructions (Bit manipulations).
5. Conditional CALL & RETURN.
6. Code conversion: BCD – ASCII; ASCII – Decimal; Decimal - ASCII; HEX - Decimal and Decimal - HEX.
7. Programs to generate delay, Programs using serial port and on-Chip timer/counter.

**II. INTERFACING**

1. Interface a simple toggle switch to 8051 and write an ALP to generate an interrupt which switches on an LED (i) continuously as long as switch is on and (ii) only once for a small time when the switch is turned on.
2. Write a C program to (i) transmit and (ii) to receive a set of characters serially by interfacing 8051 to a terminal.
3. Write ALPs to generate waveforms using ADC interface.
4. Write ALP to interface an LCD display and to display a message on it.
5. Write ALP to interface a Stepper Motor to 8051 to rotate the motor.
6. Write ALP to interface ADC-0804 and convert an analog input connected to it.

**Course Outcomes:** On the completion of this laboratory course, the students will be able to:

- Write Assembly language programs in 8051 for solving simple problems that manipulate input data using different instructions of 8051.
- Interface different input and output devices to 8051 and control them using Assembly language programs.
- Interface the serial devices to 8051 and do the serial transfer using C programming.

**Conduct of Practical Examination:**

- All laboratory experiments are to be included for practical examination.
- Students are allowed to pick one experiment from the lot.
- Strictly follow the instructions as printed on the cover page of answer script for breakup of marks.
- Change of experiment is allowed only once and 15% Marks allotted to the procedure part to be made zero.

<b>B. E. (EC / TC)</b> <b>Choice Based Credit System (CBCS) and Outcome Based Education (OBE)</b> <b>SEMESTER – IV</b>			
<b>ANALOG CIRCUITS LABORATORY</b>			
<b>Laboratory Code</b>	<b>18ECL48</b>	<b>CIE Marks</b>	<b>40</b>
<b>Number of Lecture Hours/Week</b>	<b>02Hr Tutorial (Instructions) + 02 Hours Laboratory</b>	<b>SEE Marks</b>	<b>60</b>
<b>RBT Level</b>	<b>L1, L2, L3</b>	<b>Exam Hours</b>	<b>03</b>
<b>CREDITS – 02</b>			
<b>Course Learning Objectives:</b> This laboratory course enables students to <ul style="list-style-type: none"> <li>• Understand the circuit configurations and connectivity of BJT and FET Amplifiers and Study of frequency response</li> <li>• Design and test of analog circuits using OPAMPs</li> <li>• Understand the feedback configurations of transistor and OPAMP circuits</li> <li>• Use of circuit simulation for the analysis of electronic circuits.</li> </ul>			
<b>Laboratory Experiments</b>			
<b>PART A : Hardware Experiments</b>			
1. Design and setup the Common Source JFET/MOSFET amplifier and plot the frequency response.			
2. Design and set up the BJT common emitter voltage amplifier with and without feedback and determine the gain- bandwidth product, input and output impedances.			
3. Design and set-up BJT/FET i) Colpitts Oscillator, and ii) Crystal Oscillator			
4. Design active second order Butterworth low pass and high pass filters.			
5. Design Adder, Integrator and Differentiator circuits using Op-Amp			
6. Test a comparator circuit and design a Schmitt trigger for the given UTP and LTP values and obtain the hysteresis.			
7. Design 4 bit R – 2R Op-Amp Digital to Analog Converter (i) using 4 bit binary input from toggle switches and (ii) by generating digital inputs using mod-16 counter.			
8. Design Monostable and a stable Multivibrator using 555 Timer.			
<b>PART-B : Simulation using EDA software</b> (EDWinXP, PSpice, MultiSim, Proteus, CircuitLab or any other equivalent tool can be used)			

1. RC Phase shift oscillator and Hartley oscillator

2. Narrow Band-pass Filter and Narrow band-reject filter

3. Precision Half and full wave rectifier

4. Monostable and A stable Multivibrator using 555 Timer.

**Course Outcomes:** On the completion of this laboratory course, the students will be able to:

- Design analog circuits using BJT/FETs and evaluate their performance characteristics.
- Design analog circuits using OPAMPs for different applications
- Simulate and analyze analog circuits that uses ICs for different electronic applications.

**Conduct of Practical Examination:**

- All laboratory experiments are to be included for practical examination.
- Students are allowed to pick one experiment from the lot.
- Strictly follow the instructions as printed on the cover page of answer script for breakup of marks.
- Change of experiment is allowed only once and Marks allotted to the procedure part to be made zero.

**Reference Books:**

3. David A Bell, "Fundamentals of Electronic Devices and Circuits Lab Manual, 5<sup>th</sup> Edition, 2009, Oxford University Press.

**B. E. Common to all Programmes**  
**Choice Based Credit System (CBCS) and Outcome Based Education (OBE)**  
**SEMESTER - IV**

**ADDITIONAL MATHEMATICS – II**

(Mandatory Learning Course: Common to All Programmes)

(A Bridge course for Lateral Entry students under Diploma quota to BE/B. Tech. programmes)

Course Code	<b>18MATDIP41</b>	CIE Marks	40
Teaching Hours/Week (L:T:P)	(2:1:0)	SEE Marks	60
Credits	<b>0</b>	Exam Hours	03

**Course Learning Objectives:**

- To provide essential concepts of linear algebra, second & higher order differential equations along with methods to solve them.
- To provide an insight into elementary probability theory and numerical methods.

**Module-1**

**Linear Algebra:** Introduction - rank of matrix by elementary row operations - Echelon form. Consistency of system of linear equations - Gauss elimination method. Eigen values and Eigen vectors of a square matrix. Problems.

**Module-2**

**Numerical Methods:** Finite differences. Interpolation/extrapolation using Newton's forward and backward difference formulae (Statements only)-problems. Solution of polynomial and transcendental equations – Newton-Raphson and Regula-Falsi methods (only formulae)- Illustrative examples. Numerical integration: Simpson's one third rule and Weddle's rule (without proof) Problems.

**Module-3**

**Higher order ODE's:** Linear differential equations of second and higher order equations with constant coefficients. Homogeneous /non-homogeneous equations. Inverse differential operators. [*Particular Integral restricted to  $R(x) = e^{ax}$ ,  $\sin ax$  /  $\cos ax$  for  $f(D)y = R(x)$ . ]*

**Module-4**

**Partial Differential Equations (PDE's):-** Formation of PDE's by elimination of arbitrary constants and functions. Solution of non-homogeneous PDE by direct integration. Homogeneous PDEs involving derivative with respect to one independent variable only.

**Module-5**

**Probability:** Introduction. Sample space and events. Axioms of probability. Addition & multiplication theorems. Conditional probability, Bayes's theorem, problems.

**Course Outcomes:** At the end of the course the student will be able to:

- CO1: Solve systems of linear equations using matrix algebra.
- CO2: Apply the knowledge of numerical methods in modelling and solving engineering problems.
- CO3: Make use of analytical methods to solve higher order differential equations.
- CO4: Classify partial differential equations and solve them by exact methods.
- CO5: Apply elementary probability theory and solve related problems.

**Question paper pattern:**

7. The question paper will have ten full questions carrying equal marks.
8. Each full question will be for 20 marks.
  - There will be two full questions (with a maximum of four sub- questions) from each module.
  - Each full question will have sub- question covering all the topics under a module.
  - The students will have to answer five full questions, selecting one full question from each

Sl No	Title of the Book	Name of the Author/s	Name of the Publisher	Edition and Year
<b>Textbook</b>				

1 Higher Engineering Mathematics B.S. Grewal Khanna Publishers 43<sup>rd</sup> Edition, 2015

**Reference Books**

1 Advanced Engineering Mathematics E. Kreyszig John Wiley & Sons 10<sup>th</sup> Edition, 2015

2 Engineering Mathematics N. P. Bali and Manish Goyal Laxmi Publishers 7<sup>th</sup> Edition, 2007

3 Engineering Mathematics Vol. I Rohit Khurana Cengage Learning 1<sup>st</sup> Edition, 2015

**BE 2018 Scheme Fifth Semester Syllabus EC / TC**

<b>B. E. (EC / TC)</b> <b>Choice Based Credit System (CBCS) and Outcome Based Education (OBE)</b> <b>SEMESTER – V</b>			
<b>TECHNOLOGICAL INNOVATION MANAGEMENT AND ENTREPRENEURSHIP</b>			
<b>Course Code</b>	<b>18ES51</b>	<b>CIE Marks</b>	<b>40</b>
<b>Number of Lecture Hours/Week</b>	<b>03</b>	<b>SEE Marks</b>	<b>60</b>
<b>Total Number of Lecture Hours</b>	<b>40 (08 Hours / Module)</b>	<b>Exam Hours</b>	<b>03</b>
<b>CREDITS – 03</b>			
<b>Course Learning Objectives:</b> This course will enable students to: <ul style="list-style-type: none"> <li>• Understand basic skills of Management</li> <li>• Understand the need for Entrepreneurs and their skills</li> <li>• Identify the Management functions and Social responsibilities</li> <li>• Understand the Ideation Process, creation of Business Model, Feasibility Study and sources of funding</li> </ul>			
<b>Module-1</b>			<b>RBT Level</b>
<b>Management:</b> Nature and Functions of Management – Importance, Definition, Management Functions, Levels of Management, Roles of Manager, Managerial Skills, Management & Administration, Management as a Science, Art & Profession (Selected topics of Chapter 1, Text 1). <b>Planning:</b> Planning-Nature, Importance, Types, Steps and Limitations of Planning; Decision Making – Meaning, Types and Steps in Decision Making(Selected topics from Chapters 4 & 5, Text 1).			<b>L1,L2</b>
<b>Module-2</b>			
<b>Organizing and Staffing: Organization</b> -Meaning, Characteristics, Process of Organizing, Principles of Organizing, Span of Management (meaning and importance only), Departmentalisation, Committees–Meaning, Types of Committees; Centralization Vs Decentralization of Authority and Responsibility; <b>Staffing</b> -Need and Importance, Recruitment and Selection Process (Selected topics from Chapters 7, 8 & 11,Text 1). <b>Directing and Controlling:</b> Meaning and Requirements of Effective Direction, Giving Orders; Motivation-Nature of Motivation, Motivation Theories (Maslow’s Need-Hierarchy Theory and Herzberg’s Two Factor Theory); Communication – Meaning, Importance and Purposes of Communication; Leadership-Meaning, Characteristics, Behavioural Approach of Leadership; Coordination-Meaning, Types, Techniques of Coordination; Controlling – Meaning, Need for Control System, Benefits of Control, Essentials of Effective Control System, Steps in Control Process (Selected topics from Chapters 15 to 18 and 9, Text 1).			<b>L1,L2</b>
<b>Module-3</b>			
<b>Social Responsibilities of Business:</b> Meaning of Social Responsibility, Social Responsibilities of Business towards Different Groups, Social Audit, Business Ethics and Corporate Governance (Selected topics from Chapter 3, Text 1). <b>Entrepreneurship:</b> Definition of Entrepreneur, Importance of Entrepreneurship, concepts of Entrepreneurship, Characteristics of successful Entrepreneur, Classification of Entrepreneurs, Myths of Entrepreneurship, Entrepreneurial Development models, Entrepreneurial development cycle, Problems faced by Entrepreneurs and capacity building for Entrepreneurship (Selected topics from Chapter 2, Text 2).			<b>L1,L2</b>
<b>Module-4</b>			



<p><b>Family Business:</b> Role and Importance of Family Business, Contributions of Family Business in India, Stages of Development of a Family Business, Characteristics of a Family-owned Business in India, Various types of family businesses (<b>Selected topics from Chapter 4,(Page 71-75) Text 2).</b></p> <p><b>Idea Generation and Feasibility Analysis-</b> Idea Generation; Creativity and Innovation; Identification of Business Opportunities; Market Entry Strategies; Marketing Feasibility; Financial Feasibilities; Political Feasibilities; Economic Feasibility; Social and Legal Feasibilities; Technical Feasibilities; Managerial Feasibility, Location and Other Utilities Feasibilities.(<b>Selected topics from Chapter 6(Page No. 111-117) &amp; Chapter 7(Page No. 140-142), Text 2)</b>)</p>	<p><b>L1,L2</b></p>
<p><b>Module-5</b></p>	
<p><b>Business model</b> – Meaning, designing, analyzing and improvising; Business Plan – Meaning, Scope and Need; Financial, Marketing, Human Resource and Production/Service Plan; Business plan Formats; Project report preparation and presentation; Why some Business Plan fails? (<b>Selected topics from Chapter 8 (Page No 159-164, Text 2)</b>)</p> <p><b>Financing and How to start a Business?</b> Financial opportunity identification; Banking sources; Nonbanking Institutions and Agencies; Venture Capital – Meaning and Role in Entrepreneurship; Government Schemes for funding business; Pre launch, Launch and Post launch requirements; Procedure for getting License and Registration; Challenges and Difficulties in Starting an Enterprise(<b>Selected topics from Chapter 7(Page No 147-149), Chapter 5(Page No 93-99) &amp; Chapter 8(Page No. 166-172) Text 2)</b>)</p> <p><b>Project Design and Network Analysis:</b> Introduction, Importance of Network Analysis, Origin of PERT and CPM, Network, Network Techniques, Need for Network Techniques, Steps in PERT, CPM, Advantages, Limitations and Differences.(<b>Selected topics from Chapters 20, Text 3).</b>)</p>	<p><b>L1,L2,L3</b></p>
<p><b>Course Outcomes:</b> After studying this course, students will be able to:</p> <ul style="list-style-type: none"> <li>• Understand the fundamental concepts of Management and Entrepreneurship and opportunities in order to setup a business</li> <li>• Describe the functions of Managers, Entrepreneurs and their social responsibilities</li> <li>• Understand the components in developing a business plan</li> <li>• Awareness about various sources of funding and institutions supporting entrepreneurs</li> </ul>	
<p><b>Text Books:</b></p> <ol style="list-style-type: none"> <li>1. Principles of Management – P.C Tripathi, P.N Reddy, McGraw Hill Education, 6<sup>th</sup> Edition, 2017. ISBN-13:978-93-5260-535-4.</li> <li>2. Entrepreneurship Development Small Business Enterprises- Poornima M Charantimath, Pearson Education 2008, ISBN 978-81-7758-260-4.</li> <li>3. Dynamics of Entrepreneurial Development and Management by Vasant Desai. HPH 2007, ISBN: 978-81-8488-801-2.</li> <li>4. Robert D. Hisrich, Mathew J. Manimala, Michael P Peters and Dean A. Shepherd, “Entrepreneurship”, 8th Edition, Tata Mc-graw Hill Publishing Co.ltd.-new Delhi, 2012</li> </ol>	
<p><b>Reference Book:</b></p> <ol style="list-style-type: none"> <li>1. Essentials of Management: An International, Innovation and Leadership perspective by Harold Koontz, Heinz Weihrich McGraw Hill Education, 10<sup>th</sup> Edition 2016. ISBN- 978-93-392-2286-4.</li> </ol>	



**B. E. (EC / TC)**  
**Choice Based Credit System (CBCS) and Outcome Based Education (OBE)**  
**SEMESTER – V**

**DIGITAL SIGNAL PROCESSING**

<b>Course Code</b>	<b>18EC52</b>	<b>CIE Marks</b>	<b>40</b>
<b>Number of Lecture Hours/Week</b>	<b>3+2(Tutorial)</b>	<b>SEE Marks</b>	<b>60</b>
		<b>Exam Hours</b>	<b>03</b>

**CREDITS – 04**

**Course Learning Objectives:** This course will enable students to

- Understand the frequency domain sampling and reconstruction of discrete time signals.
- Study the properties and the development of efficient algorithms for the computation of DFT.
- Realization of FIR and IIR filters in different structural forms.
- Learn the procedures to design of IIR filters from the analog filters using impulse invariance and bilinear transformation.
- Study the different windows used in the design of FIR filters and design appropriate filters based on the specifications.
- Understand the architecture and working of DSP processor

<b>Module-1</b>	<b>RBT Level</b>
<b>Discrete Fourier Transforms (DFT):</b> Frequency domain sampling and Reconstruction of Discrete Time Signals, The Discrete Fourier Transform, DFT as a linear transformation, Properties of the DFT: Periodicity, Linearity and Symmetry properties, Multiplication of two DFTs and Circular Convolution, Additional DFT properties. [Text 1]	<b>L1,L2, L3</b>
<b>Module-2</b>	
<b>Linear filtering methods based on the DFT:</b> Use of DFT in Linear Filtering, Filtering of Long data Sequences. <b>Fast-Fourier-Transform (FFT) algorithms:</b> Efficient Computation of the DFT: Radix-2 FFT algorithms for the computation of DFT and IDFT–decimation-in-time and decimation-in-frequency algorithms. [Text 1]	<b>L1,L2, L3</b>
<b>Module-3</b>	
<b>Design of FIR Filters:</b> Characteristics of practical frequency –selective filters, Symmetric and Antisymmetric FIR filters, Design of Linear-phase FIR filters using windows - Rectangular, Hamming, Hanning, Bartlett windows. Design of FIR filters using frequency sampling method. Structure for FIR Systems: Direct form, Cascade form and Lattice structures.[Text1]	<b>L1,2,L3</b>
<b>Module-4</b>	
<b>IIR Filter Design:</b> Infinite Impulse response Filter Format, Bilinear Transformation Design Method, Analog Filters using Lowpass prototype transformation, Normalized Butterworth Functions, Bilinear Transformation and Frequency Warping, Bilinear Transformation Design Procedure, Digital Butterworth Filter Design using BLT. Realization of IIR Filters in Direct form I and II. [Text 2]	<b>L1,L2,L3</b>
<b>Module-5</b>	
<b>Digital Signal Processors:</b> DSP Architecture, DSP Hardware Units, Fixed point format, Floating point Format, IEEE Floating point formats, Fixed point digital signal processors, Floating point processors, FIR and IIR filter implementations in Fixed point systems.[Text 2]	<b>L1,L2, L3</b>

**Course Outcomes:** After studying this course, students will be able to:

- Determine response of LTI systems using time domain and DFT techniques.
- Compute DFT of real and complex discrete time signals.
- Computation of DFT using FFT algorithms and linear filtering approach.
- Design and realize FIR and IIR digital filters
- Understand the DSP processor architecture.

**Question paper pattern:**

- Examination will be conducted for 100 marks with question paper containing 10 full questions, each of 20 marks.
- Each full question can have a maximum of 4 sub questions.
- There will be 2 full questions from each module covering all the topics of the module.
- Students will have to answer 5 full questions, selecting one full question from each module.
- The total marks will be proportionally reduced to 60 marks as SEE marks is 60

**Text Book:**

1. Proakis & Monalakis, "Digital signal processing – Principles Algorithms & Applications", 4<sup>th</sup> Edition, Pearson education, New Delhi, 2007. ISBN: 81-317-1000-9.
2. Li Tan, Jean Jiang, "Digital Signal processing – Fundamentals and Applications", Academic Press, 2013, ISBN: 978-0-12-415893.

**Reference Books:**

1. Sanjit K Mitra, "Digital Signal Processing, A Computer Based Approach", 4<sup>th</sup> Edition, McGraw Hill Education, 2013,
2. Oppenheim & Schaffer, "Discrete Time Signal Processing" , PHI, 2003.
3. D.GaneshRao and Vineeth P Gejji, "Digital Signal Processing" Cengage India Private Limited, 2017, ISBN: 9386858231

**B. E. (EC / TC)**  
**Choice Based Credit System (CBCS) and Outcome Based Education (OBE)**  
**SEMESTER – V**

**PRINCIPLES OF COMMUNICATION SYSTEMS**

<b>Subject Code</b>	<b>18EC53</b>	<b>CIE Marks</b>	<b>40</b>
<b>Number of Lecture Hours/Week</b>	<b>3+2 (Tutorial)</b>	<b>SEE Marks</b>	<b>60</b>
		<b>Exam Hours</b>	<b>03</b>

**CREDITS – 04**

**Course Learning Objectives:** This course will enable students to

- Understand and analyse concepts of Analog Modulation schemes viz; AM, FM., Low pass sampling and Quantization as a random process.
- Understand and analyse concepts digitization of signals viz; sampling, quantizing and encoding.
- Evolve the concept of SNR in the presence of channel induced noise and study Demodulation of analog modulated signals.
- Evolve the concept of quantization noise for sampled and encoded signals and study the concepts of reconstruction from these samples at a receiver.

<b>Module-1</b>	<b>RBT Level</b>
<p><b>AMPLITUDE MODULATION:</b> Introduction, Amplitude Modulation: Time &amp; Frequency Domain description, Switching modulator, Envelop detector. <b>(3.1 – 3.2 in Text)</b></p> <p><b>DOUBLE SIDE BAND-SUPPRESSED CARRIER MODULATION:</b> Time and Frequency Domain description, Ring modulator, Coherent detection, Costas Receiver, Quadrature Carrier Multiplexing. <b>(3.3 – 3.4 in Text)</b></p> <p><b>SINGLE SIDE-BAND AND VESTIGIAL SIDEBAND METHODS OF MODULATION:</b> SSB Modulation, VSB Modulation, Frequency Translation, Frequency- Division Multiplexing, Theme Example: VSB Transmission of Analog and Digital Television. <b>(3.5 – 3.8 in Text)</b></p>	<b>L1, L2, L3</b>
<b>Module-2</b>	
<p><b>ANGLE MODULATION:</b> Basic definitions, Frequency Modulation: Narrow Band FM, Wide Band FM, Transmission bandwidth of FM Signals, Generation of FM Signals, Demodulation of FM Signals, FM Stereo Multiplexing, Phase-Locked Loop: Nonlinear model of PLL, Linear model of PLL, Nonlinear Effects in FM Systems. The Superheterodyne Receiver <b>(4.1 – 4.6 of Text)</b></p>	<b>L1, L2, L3</b>
<b>Module-3</b>	
<p><i>[Review of Mean, Correlation and Covariance functions of Random Processes. (No questions to be set on these topics)]</i></p> <p><b>NOISE</b> - Shot Noise, Thermal noise, White Noise, Noise Equivalent Bandwidth <b>(5.10 in Text)</b></p> <p><b>NOISE IN ANALOG MODULATION:</b> Introduction, Receiver Model, Noise in DSB-SC receivers. Noise in AM receivers, Threshold effect, Noise in FM receivers, Capture effect, FM threshold effect, FM threshold reduction, Pre-emphasis and De-emphasis in FM <b>(6.1 – 6.6 in Text)</b></p>	<b>L1, L2, L3</b>
<b>Module-4</b>	
<p><b>SAMPLING AND QUANTIZATION:</b> Introduction, Why Digitize Analog Sources?, The Low pass Sampling process Pulse Amplitude Modulation. Time Division Multiplexing, Pulse-Position Modulation, Generation of PPM Waves, Detection of PPM Waves. <b>(7.1 – 7.7 in Text)</b></p>	<b>L1, L2, L3</b>
<b>Module-5</b>	
<p><b>SAMPLING AND QUANTIZATION (Contd):</b>  The Quantization Random Process, Quantization Noise,  Pulse-Code Modulation: Sampling, Quantization, Encoding, Regeneration, Decoding, Filtering, Multiplexing; Delta Modulation <b>(7.8 – 7.10 in Text)</b>,  Application examples - (a) Video + MPEG <b>(7.11 in Text)</b> and (b) Vocoders <b>(refer Section 6.8 of Reference Book 1)</b>.</p>	<b>L1, L2, L3</b>
<b>Course Outcomes:</b> After studying this course, students will be able to:	

- Analyze and compute performance of AM and FM modulation in the presence of noise at the receiver.
- Analyze and compute performance of digital formatting processes with quantization noise.
- Multiplex digitally formatted signals at Transmitter and demultiplex the signals and reconstruct digitally formatted signals at the receiver.
- Design/Demonstrate the use of digital formatting in Multiplexers, Vocoders and Video transmission.

**Question paper pattern:**

- Examination will be conducted for 100 marks with question paper containing 10 full questions, each of 20 marks.
- Each full question can have a maximum of 4 sub questions.
- There will be 2 full questions from each module covering all the topics of the module.
- Students will have to answer 5 full questions, selecting one full question from each module.
- The total marks will be proportionally reduced to 60 marks as SEE marks is 60.

**Text Book:**

“Communication Systems”, Simon Haykins&Moher, 5th Edition, John Willey, India Pvt. Ltd, 2010, ISBN 978 – 81 – 265 – 2151 – 7.

**Reference Books:**

1. Modern Digital and Analog Communication Systems, B. P. Lathi, Oxford University Press., 4th edition.
2. An Introduction to Analog and Digital Communication, Simon Haykins, John Wiley India Pvt. Ltd., 2008, ISBN 978–81–265–3653–5.
3. Principles of Communication Systems, H.Taub&D.L.Schilling, TMH,2011.
4. Communication Systems, Harold P.E, Stern Samy and A.Mahmond, Pearson Edition, 2004.

<b>B. E. (EC / TC)</b> <b>Choice Based Credit System (CBCS) and Outcome Based Education (OBE)</b> <b>SEMESTER – V</b>			
<b>INFORMATION THEORY and CODING</b>			
<b>Course Code</b>	<b>18EC54</b>	<b>CIE Marks</b>	<b>40</b>
<b>Number of Lecture Hours/Week</b>	<b>3</b>	<b>SEE Marks</b>	<b>60</b>
<b>Total Number of Lecture Hours</b>	<b>40 (8 Hours / Module)</b>	<b>Exam Hours</b>	<b>03</b>
<b>CREDITS – 03</b>			
<b>Course Learning Objectives:</b> This course will enable students to <ul style="list-style-type: none"> <li>• Understand the concept of Entropy, Rate of information and order of the source with reference to dependent and independent source.</li> <li>• Study various source encoding algorithms.</li> <li>• Model discrete &amp; continuous communication channels.</li> <li>• Study various error control coding algorithms.</li> </ul>			
<b>Module-1</b>			<b>RBT Level</b>
<b>Information Theory:</b> Introduction, Measure of information, Information content of message, Average Information content of symbols in Long Independent sequences, Average Information content of symbols in Long dependent sequences, Markov Statistical Model for Information Sources, Entropy and Information rate of Markoff Sources <b>(Section 4.1, 4.2 of Text 1)</b>			<b>L1, L2,L3</b>
<b>Module-2</b>			
<b>Source Coding:</b> Encoding of the Source Output, Shannon’s Encoding Algorithm( <b>Sections 4.3, 4.3.1 of Text 1</b> ), Shannon Fano Encoding Algorithm ( <b>Section 2.15 of Reference Book 4</b> ) Source coding theorem, Prefix Codes, Kraft McMillan Inequality property – KMI, Huffman codes <b>(Section 2.2 of Text 2)</b>			<b>L1, L2,L3</b>
<b>Module-3</b>			
<b>Information Channels:</b> Communication Channels, Discrete Communication channels Channel Matrix, Joint probability Matrix, Binary Symmetric Channel, System Entropies. ( <b>Section 4.4, 4.5, 4.51,4.5.2 of Text 1</b> ) Mutual Information, Channel Capacity, Channel Capacity of Binary Symmetric Channel, ( <b>Section 2.5, 2.6 of Text 2</b> ) Binary Erasure Channel, Muroga,s Theorem ( <b>Section 2.27, 2.28 of Reference Book 4</b> )			<b>L1, L2, L3</b>
<b>Module-4</b>			
<b>Error Control Coding:</b> Introduction, Examples of Error control coding, methods of Controlling Errors, Types of Errors, types of Codes, Linear Block Codes: matrix description of Linear Block Codes, Error detection & Correction capabilities of Linear Block Codes, Single error correction Hamming code, Table lookup Decoding using Standard Array. <b>Binary Cyclic Codes:</b> Algebraic Structure of Cyclic Codes, Encoding using an (n-k) Bit Shift register, Syndrome Calculation, Error Detection and Correction ( <b>Sections 9.1, 9.2,9.3,9.3.1,9.3.2,9.3.3 of Text 1</b> )			<b>L1, L2, L3</b>
<b>Module-5</b>			
<b>Convolution Codes:</b> Convolution Encoder, Time domain approach, Transform domain approach, Code Tree, Trellis and State Diagram, The Viterbi Algorithm) ( <b>Section 8.5 – Articles 1,2 and 3, 8.6- Article 1 of Text 2</b> )			<b>L1, L2, L3</b>
<b>Course Outcomes:</b> After studying this course, students will be able to: <ul style="list-style-type: none"> <li>• Explain concept of Dependent &amp; Independent Source, measure of information, Entropy, Rate of Information and Order of a source</li> </ul>			

- Represent the information using Shannon Encoding, Shannon Fano, Prefix and Huffman Encoding Algorithms
- Model the continuous and discrete communication channels using input, output and joint probabilities
- Determine a codeword comprising of the check bits computed using Linear Block codes, cyclic codes & convolutional codes
- Design the encoding and decoding circuits for Linear Block codes, cyclic codes, convolutional codes, BCH and Golay codes.

**Question paper pattern:**

- Examination will be conducted for 100 marks with question paper containing 10 full questions, each of 20 marks.
- Each full question can have a maximum of 4 sub questions.
- There will be 2 full questions from each module covering all the topics of the module.
- Students will have to answer 5 full questions, selecting one full question from each module.
- The total marks will be proportionally reduced to 60 marks as SEE marks is 60.

**Text Book:**

1. Digital and analog communication systems, K. Sam Shanmugam, John Wiley India Pvt. Ltd, 1996.
2. Digital communication, Simon Haykin, John Wiley India Pvt. Ltd, 2008.

**Reference Books:**

1. ITC and Cryptography, Ranjan Bose, TMH, II edition, 2007
2. Principles of digital communication, J. Das, S. K. Mullick, P. K. Chatterjee, Wiley, 1986 - Technology & Engineering
3. Digital Communications – Fundamentals and Applications, Bernard Sklar, Second Edition, Pearson Education, 2016, ISBN: 9780134724058.
4. Information Theory and Coding, HariBhat, Ganesh Rao, Cengage, 2017.
5. Error Correction Coding by Todd K Moon, Wiley Std. Edition, 2006



**B. E. (EC / TC)**  
**Choice Based Credit System (CBCS) and Outcome Based Education (OBE)**  
**SEMESTER – V**

**ELECTROMAGNETIC WAVES**

<b>Course Code</b>	<b>18EC55</b>	<b>CIE Marks</b>	<b>40</b>
<b>Number of Lecture Hours/Week</b>	<b>03</b>	<b>SEE Marks</b>	<b>60</b>
<b>Total Number of Lecture Hours</b>	<b>40 (8 Hours per Module)</b>	<b>Exam Hours</b>	<b>03</b>

**CREDITS – 03**

**Course Learning Objectives:** This course will enable students to:

- Study the different coordinate systems, Physical significance of Divergence, Curl and Gradient.
- Understand the applications of Coulomb’s law and Gauss law to different charge distributions and the applications of Laplace’s and Poisson’s Equations to solve real time problems on capacitance of different charge distributions.
- Understand the physical significance of Biot-Savart’s, Amperes’s Law and Stokes’ theorem for different current distributions.
- Infer the effects of magnetic forces, materials and inductance.
- Know the physical interpretation of Maxwell’s equations and applications for Plane waves for their behavior in different media.
- Acquire knowledge of Poynting theorem and its application of power flow.

<b>Module-1</b>	<b>RBT Level</b>
Revision of Vector Calculus – ( <b>Text 1: Chapter 1</b> ) <b>Coulomb’s Law, Electric Field Intensity and Flux density:</b> Experimental law of Coulomb, Electric field intensity, Field due to continuous volume charge distribution, Field of a line charge, Field due to Sheet of charge, Electric flux density, Numerical Problems. ( <b>Text: Chapter 2.1 to 2.5, 3.1</b> )	<b>L1, L2, L3</b>
<b>Module -2</b>	
<b>Gauss’s law and Divergence:</b> Gauss ‘law, Application of Gauss’ law to point charge, line charge, Surface charge and volume charge, Point (differential) form of Gauss law, Divergence. Maxwell’s First equation (Electrostatics), Vector Operator $\nabla$ and divergence theorem, Numerical Problems ( <b>Text: Chapter 3.2 to 3.7</b> ). <b>Energy, Potential and Conductors:</b> Energy expended or work done in moving a point charge in an electric field, The line integral, Definition of potential difference and potential, The potential field of point charge, Potential gradient, Numerical Problems ( <b>Text: Chapter 4.1 to 4.4 and 4.6</b> ). <b>Current and Current density, Continuity of current.</b> ( <b>Text: Chapter 5.1, 5.2</b> )	<b>L1, L2, L3</b>
<b>Module-3</b>	
<b>Poisson’s and Laplace’s Equations:</b> Derivation of Poisson’s and Laplace’s Equations, Uniqueness theorem, Examples of the solution of Laplace’s equation, Numerical problems on Laplace equation ( <b>Text: Chapter 7.1 to 7.3</b> ) <b>Steady Magnetic Field:</b> Biot-Savart Law, Ampere’s circuital law, Curl, Stokes’ theorem, Magnetic flux and magnetic flux density, Basic concepts Scalar and Vector Magnetic Potentials, Numerical problems. ( <b>Text: Chapter 8.1 to 8.6</b> )	<b>L1, L2, L3</b>
<b>Module -4</b>	
<b>Magnetic Forces:</b> Force on a moving charge, differential current elements, Force between differential current elements, Numerical problems ( <b>Text: Chapter 9.1 to 9.3</b> ). <b>Magnetic Materials:</b> Magnetization and permeability, Magnetic boundary conditions, The magnetic circuit, Potential energy and forces on magnetic materials, Inductance and mutual reactance, Numerical problems ( <b>Text: Chapter 9.6 to 9.7</b> ).	<b>L1, L2, L3</b>

Faraday' law of Electromagnetic Induction –Integral form and Point form, Numerical problems (Text: Chapter 10.1)	
<b>Module -5</b>	
<p><b>Maxwell's equations</b> Continuity equation, Inconsistency of Ampere's law with continuity equation, displacement current, Conduction current, Derivation of Maxwell's equations in point form, and integral form, Maxwell's equations for different media, Numerical problems (Text: Chapter 10.2 to 10.4)</p> <p><b>Uniform Plane Wave:</b> Plane wave, Uniform plane wave, Derivation of plane wave equations from Maxwell's equations, Solution of wave equation for perfect dielectric, Relation between E and H, Wave propagation in free space, Solution of wave equation for sinusoidal excitation, wave propagation in any conducting media (<math>\gamma</math>, <math>\alpha</math>, <math>\beta</math>, <math>\eta</math>) and good conductors, Skin effect or Depth of penetration, Poynting's theorem and wave power, Numerical problems. (Text: Chapter 12.1 to 12.4)</p>	<b>L1, L2, L3</b>
<p><b>Course Outcomes:</b> After studying this course, students will be able to:</p> <ul style="list-style-type: none"> <li>• Evaluate problems on electrostatic force, electric field due to point, linear, volume charges by applying conventional methods and charge in a volume.</li> <li>• Apply Gauss law to evaluate Electric fields due to different charge distributions and Volume Charge distribution by using Divergence Theorem.</li> <li>• Determine potential and energy with respect to point charge and capacitance using Laplace equation and Apply Biot-Savart's and Ampere's laws for evaluating Magnetic field for different current configurations</li> <li>• Calculate magnetic force, potential energy and Magnetization with respect to magnetic materials and voltage induced in electric circuits.</li> <li>• Apply Maxwell's equations for time varying fields, EM waves in free space and conductors and Evaluate power associated with EM waves using Poynting theorem</li> </ul>	
<p><b>Question paper pattern:</b></p> <ul style="list-style-type: none"> <li>• Examination will be conducted for 100 marks with question paper containing 10 full questions, each of 20 marks.</li> <li>• Each full question can have a maximum of 4 sub questions.</li> <li>• There will be 2 full questions from each module covering all the topics of the module.</li> <li>• Students will have to answer 5 full questions, selecting one full question from each module.</li> <li>• The total marks will be proportionally reduced to 60 marks as SEE marks is 60.</li> </ul>	
<p><b>Text Book:</b> W.H. Hayt and J.A. Buck, —Engineering Electromagneticsl, 8th Edition, Tata McGraw-Hill, 2014, ISBN-978-93-392-0327-6.</p>	
<p><b>Reference Books:</b></p> <ol style="list-style-type: none"> <li>1. Elements of Electromagnetics – Matthew N.O., Sadiku, Oxford university press, 4<sup>th</sup>Edn.</li> <li>2. Electromagnetic Waves and Radiating systems – E. C. Jordan and K.G. Balman, PHI, 2<sup>nd</sup>Edn.</li> <li>3. Electromagnetics- Joseph Edminister, Schaum Outline Series, McGraw Hill.</li> </ol> <p>N. NarayanaRao, —Fundamentals of Electromagnetics for Engineeringl, Pearson.</p>	

<p align="center"><b>B. E. (EC / TC)</b>  <b>Choice Based Credit System (CBCS) and Outcome Based Education (OBE)</b>  <b>SEMESTER – V</b></p>			
<p align="center"><b>Verilog HDL</b></p>			
<b>Course Code</b>	<b>18EC56</b>	<b>IA Marks</b>	<b>40</b>
<b>Number of Lecture Hours/Week</b>	<b>03</b>	<b>Exam Marks</b>	<b>60</b>
<b>Total Number of Lecture Hours</b>	<b>40 (08 Hours per Module)</b>	<b>Exam Hours</b>	<b>03</b>
<p align="center"><b>CREDITS– 03</b></p>			
<p><b>Course Learning Objectives:</b></p> <ul style="list-style-type: none"> <li>• Learn different Verilog HDL constructs.</li> <li>• Familiarize the different levels of abstraction in Verilog.</li> <li>• Understand Verilog Tasks, Functions and Directives.</li> <li>• Understand timing and delay Simulation.</li> <li>• Understand the concept of logic synthesis and its impact in verification</li> </ul>			
<p align="center"><b>Module 1</b></p>			<p align="center"><b>RBT Level</b></p>
<p><b>Overview of Digital Design with Verilog HDL:</b> Evolution of CAD, emergence of HDLs, typical HDL-flow, why Verilog HDL?, trends in HDLs.  <b>Hierarchical Modeling Concepts:</b> Top-down and bottom-up design methodology, differences between modules and module instances, parts of a simulation, design block, stimulus block.</p>			<p align="center"><b>L1,L2,L3</b></p>
<p align="center"><b>Module 2</b></p>			
<p><b>Basic Concepts:</b> Lexical conventions, data types, system tasks, compiler directives.  <b>Modules and Ports:</b> Module definition, port declaration, connecting ports, hierarchical name referencing.</p>			<p align="center"><b>L1,L2,L3</b></p>
<p align="center"><b>Module 3</b></p>			
<p><b>Gate-Level Modeling:</b> Modeling using basic Verilog gate primitives, description of and/or and buf/not type gates, rise, fall and turn-off delays, min, max, and typical delays.  <b>Dataflow Modeling:</b> Continuous assignments, delay specification, expressions, operators, operands, operator types.</p>			<p align="center"><b>L1,L2,L3</b></p>
<p align="center"><b>Module 4</b></p>			
<p><b>Behavioral Modeling:</b> Structured procedures, initial and always, blocking and non-blocking statements, delay control, generate statement, event control, conditional statements, Multiway branching, loops, sequential and parallel blocks.  <b>Tasks and Functions:</b> Differences between tasks and functions, declaration, invocation, automatic tasks and functions.</p>			<p align="center"><b>L1,L2,L3</b></p>
<p align="center"><b>Module 5</b></p>			
<p><b>Useful Modeling Techniques:</b> Procedural continuous assignments, overriding parameters, conditional compilation and execution, useful system tasks.  <b>Logic Synthesis with Verilog:</b> Logic Synthesis, Impact of logic synthesis, Verilog HDL Synthesis, Synthesis design flow, Verification of Gate-Level Netlist. <b>(Chapter 14 till 14.5 of Text).</b></p>			<p align="center"><b>L1,L2,L3</b></p>
<p><b>Course Outcomes:</b> At the end of this course, students should be able to</p> <ul style="list-style-type: none"> <li>• Write Verilog programs in gate, dataflow (RTL), behavioral and switch modeling levels of Abstraction.</li> <li>• Design and verify the functionality of digital circuit/system using test benches.</li> <li>• Identify the suitable Abstraction level for a particular digital design.</li> <li>• Write the programs more effectively using Verilog tasks, functions and directives.</li> <li>• Perform timing and delay Simulation</li> <li>• Interpret the various constructs in logic synthesis.</li> </ul>			
<p><b>Question paper pattern:</b></p>			

- Examination will be conducted for 100 marks with question paper containing 10 full questions, each of 20 marks.
- Each full question can have a maximum of 4 sub questions.
- There will be 2 full questions from each module covering all the topics of the module.
- Students will have to answer 5 full questions, selecting one full question from each module.
- The total marks will be proportionally reduced to 60 marks as SEE marks is 60.

**Text Book:**

Samir Palnitkar, “**Verilog HDL: A Guide to Digital Design and Synthesis**”, Pearson Education, Second Edition.

**Reference Books:**

1. Donald E. Thomas, Philip R. Moorby, “The Verilog Hardware Description Language”, Springer Science+Business Media, LLC, Fifth edition.
2. Michael D. Ciletti, “Advanced Digital Design with the Verilog HDL” Pearson (Prentice Hall), Second edition.
3. Padmanabhan, Tripura Sundari, “Design through Verilog HDL”, Wiley, 2016 or earlier.

**B. E. (EC / TC)**  
**Choice Based Credit System (CBCS) and Outcome Based Education (OBE)**  
**SEMESTER – V**

**DIGITAL SIGNAL PROCESSING LABORATORY**

<b>Course Code</b>	<b>18ECL57</b>	<b>IA Marks</b>	<b>40</b>
<b>Number of Lecture Hours/Week</b>	<b>02Hr Tutorial (Instructions) + 02 Hours Laboratory</b>	<b>Exam marks</b>	<b>60</b>
<b>RBT Level</b>	<b>L1, L2, L3</b>	<b>Exam Hours</b>	<b>03</b>

**CREDITS– 02**

**Course Learning Objectives:** This course will enable students to

- Simulate discrete time signals and verification of sampling theorem.
  - Compute the DFT for a discrete signal and verification of its properties using MATLAB.
  - Find solution to the difference equations and computation of convolution and correlation along with the verification of properties.
1. Compute and display the filtering operations and compare with the theoretical values.
  2. Implement the DSP computations on DSP hardware and verify the result.

**Laboratory Experiments**

**Following Experiments to be done using MATLAB / SCILAB / OCTAVE or equivalent:**

1. Verification of sampling theorem (use interpolation function).
2. Linear and circular convolution of two given sequences, Commutative, distributive and associative property of convolution.
3. Auto and cross correlation of two sequences and verification of their properties
4. Solving a given difference equation.
5. Computation of N point DFT of a given sequence and to plot magnitude and phase spectrum (using DFT equation and verify it by built-in routine).
6. (i) Verification of DFT properties (like Linearity and Parseval's theorem, etc.)  
(ii) DFT computation of square pulse and Sinc function etc.
7. Design and implementation of Low pass and High pass FIR filter to meet the desired specifications (using different window techniques) and test the filter with an audio file. Plot the spectrum of audio signal before and after filtering.
8. Design and implementation of a digital IIR filter (Low pass and High pass) to meet given specifications and test with an audio file. Plot the spectrum of audio signal before and after filtering.

**Following Experiments to be done using DSP kit**

9. Obtain the Linear convolution of two sequences.
10. Compute Circular convolution of two sequences.
11. Compute the N-point DFT of a given sequence.
12. Determine the Impulse response of first order and second order system.
13. Generation of Sine wave and standard test signals

**Course Outcomes:** On the completion of this laboratory course, the students will be able to:

- Understand the concepts of analog to digital conversion of signals and frequency domain sampling of signals.
- Modeling of discrete time signals and systems and verification of its properties and results.
- Implementation of discrete computations using DSP processor and verify the results.
- Realize the digital filters using a simulation tool and analyze the response of the filter for an audio signal.

**Conduct of Practical Examination:**

1. All laboratory experiments are to be included for practical examination.
2. Strictly follow the instructions as printed on the cover page of answer script for breakup of marks.
3. Change of experiment is allowed only once and Marks allotted to the procedure part to be made zero.

**Reference Books:**

1. Vinay K Ingle, John G Proakis, Digital Signal Processing using MATLAB, Fourth Edition, Cengage India Private Limited, 2017.

**B. E. (EC / TC)**  
**Choice Based Credit System (CBCS) and Outcome Based Education (OBE)**  
**SEMESTER – V**

**HDL LABORATORY**

<b>Laboratory Code</b>	<b>18ECL58</b>	<b>CIE Marks</b>	<b>40</b>
<b>Number of Lecture Hours/Week</b>	<b>02Hr Tutorial (Instructions)+ 02 Hours Laboratory</b>	<b>SEE Marks</b>	<b>60</b>
<b>RBT Level</b>	<b>L1, L2, L3</b>	<b>Exam Hours</b>	<b>03</b>

**CREDITS – 02**

**Course Learning Objectives:** This course will enable students to:

- Familiarize with the CAD tool to write HDL programs.
- Understand simulation and synthesis of digital design.
- Program FPGAs/CPLDs to synthesize the digital designs.
- Interface hardware to programmable ICs through I/O ports.
- Choose either Verilog or VHDL for a given Abstraction level.

**Note:** Programming can be done using any compiler. Download the programs on a FPGA/CPLD board and performance testing may be done using 32 channel pattern generator and logic analyzer apart from verification by simulation with tools such as Altera/Modelsim or equivalent.

**Laboratory Experiments**

**PART A : Programming**

1. Write Verilog program for the following combinational design along with test bench to verify the design:
  - a. 2 to 4 decoder realization using NAND gates only (structural model)
  - b. 8 to 3 encoder with priority and without priority (behavioural model)
  - c. 8 to 1 multiplexer using case statement and if statements
  - d. 4-bit binary to gray converter using 1-bit gray to binary converter 1-bit adder and subtractor
2. Model in Verilog for a full adder and add functionality to perform logical operations of XOR, XNOR, AND and OR gates. Write test bench with appropriate input patterns to verify the modeled behaviour.
3. Verilog 32-bit ALU shown in figure below and verify the functionality of ALU by selecting appropriate test patterns. The functionality of the ALU is presented in Table 1.
  - a. Write test bench to verify the functionality of the ALU considering all possible input patterns
  - b. The enable signal will set the output to required functions if enabled, if disabled all the outputs are set to tri-state
  - c. The acknowledge signal is set high after every operation is completed

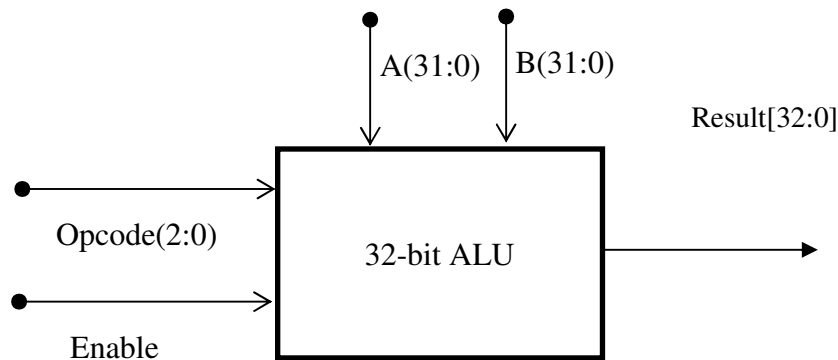


Figure 1 ALU top level block diagram  
Table 1 ALU Functions

Opcode(2:0)	ALU Operation	Remarks	
000	A+B	Addition of two numbers	Both A and B are in two's complement format
001	A-B	Subtraction of two numbers	
010	A+1	Increment Accumulator by 1	A is in two's complement format
011	A-1	Decrement accumulator by 1	
100	A	True	Inputs can be in any format
101	A Complement	Complement	
110	A OR B	Logic OR	
111	A AND B	Logic AND	

4. Write Verilog code for SR, D and JK and verify the flip flop.

5. Write Verilog code for 4-bit BCD synchronous counter.

6. Write Verilog code for counter with given input clock and check whether it works as clock divider performing division of clock by 2, 4, 8 and 16. Verify the functionality of the code.

**PART-B : Interfacing and Debugging** (EDWinXP, PSpice, MultiSim, Proteus, CircuitLab or any other equivalent tool can be used)

1. Write a Verilog code to design a clock divider circuit that generates 1/2, 1/3<sup>rd</sup> and 1/4<sup>th</sup> clock from a given input clock. Port the design to FPGA and validate the functionality through oscilloscope.

2. Interface a DC motor to FPGA and write Verilog code to change its speed and direction.

3. Interface a Stepper motor to FPGA and write Verilog code to control the Stepper motor rotation which in turn may control a Robotic Arm. External switches to be used for different controls like rotate the Stepper motor (i) +N steps if Switch no.1 of a Dip switch is closed (ii) +N/2 steps if Switch no. 2 of a Dip switch is closed (iii) -N steps if Switch no. 3 of a Dip switch is closed etc.

4. Interface a DAC to FPGA and write Verilog code to generate Sine wave of frequency F KHz (eg. 200 KHz) frequency. Modify the code to down sample the frequency to F/2 KHz. Display the Original and Down sampled signals by connecting them to an oscilloscope.

5. Write Verilog code using FSM to simulate elevator operation.

6. Write Verilog code to convert an analog input of a sensor to digital form and to display the same on a suitable display like set of simple LEDs, 7-segment display digits or LCD display.



**Course Outcomes:** At the end of this course, students should be able to:

- Write the Verilog/VHDL programs to simulate Combinational circuits in Dataflow, Behavioral and Gate level Abstractions.
- Describe sequential circuits like flip flops and counters in Behavioral description and obtain simulation waveforms.
- Synthesize Combinational and Sequential circuits on programmable ICs and test the hardware.
- Interface the hardware to the programmable chips and obtain the required output.

**Conduct of Practical Examination:**

- All laboratory experiments are to be included for practical examination.
- Students are allowed to pick one experiment from the lot.
- Strictly follow the instructions as printed on the cover page of answer script for breakup of marks.
- Change of experiment is allowed only once and Marks allotted to the procedure part to be made zero.

**B. E. Common to all Branches**  
**Choice Based Credit System (CBCS) and Outcome Based Education (OBE)**  
**SEMESTER – V**

**ENVIRONMENTAL STUDIES**

<b>Course Code</b>	<b>18CIV59</b>	<b>CIE Marks</b>	<b>40</b>
<b>Teaching Hours / Week (L:T:P)</b>	<b>(1:0:0)</b>	<b>SEE Marks</b>	<b>60</b>
<b>Credits</b>	<b>01</b>	<b>Exam Hours</b>	<b>02</b>

**Module - 1**

**Ecosystems** (Structure and Function): Forest, Desert, Wetlands, Riverine, Oceanic and Lake.

**Biodiversity:** Types, Value; Hot-spots; Threats and Conservation of biodiversity, Forest Wealth, and Deforestation.

**Module - 2**

**Advances in Energy Systems** (Merits, Demerits, Global Status and Applications): Hydrogen, Solar, OTEC, Tidal and Wind.

**Natural Resource Management** (Concept and case-studies): Disaster Management, Sustainable Mining, Cloud Seeding, and Carbon Trading.

**Module - 3**

**Environmental Pollution** (Sources, Impacts, Corrective and Preventive measures, Relevant Environmental Acts, Case-studies): Surface and Ground Water Pollution; Noise pollution; Soil Pollution and Air Pollution.

**Waste Management & Public Health Aspects:** Bio-medical Wastes; Solid waste; Hazardous wastes; E-wastes; Industrial and Municipal Sludge.

**Module - 4**

**Global Environmental Concerns**(Concept, policies and case-studies):Ground water depletion/recharging, Climate Change; Acid Rain; Ozone Depletion; Radon and Fluoride problem in drinking water; Resettlement and rehabilitation of people, Environmental Toxicology.

**Module - 5**

**Latest Developments in Environmental Pollution Mitigation Tools (Concept and Applications):** G.I.S. & Remote Sensing, Environment Impact Assessment, Environmental Management Systems, ISO14001; Environmental Stewardship- NGOs.

**Field work:** Visit to an Environmental Engineering Laboratory or Green Building or Water Treatment Plant or Waste water treatment Plant; ought to be Followed by understanding of process and its brief documentation.

**Course outcomes:** At the end of the course, students will be able to:

- Understand the principles of ecology and environmental issues that apply to air, land, and water issues on a global scale,
- Develop critical thinking and/or observation skills, and apply them to the analysis of a problem or question related to the environment.
- Demonstrate ecology knowledge of a complex relationship between biotic and a biotic components.
- Apply their ecological knowledge to illustrate and graph a problem and describe the realities that managers face when dealing with complex issues.

**Question paper pattern:**

- The Question paper will have 100 objective questions.
- Each question will be for 01 marks
- Student will have to answer all the questions in an OMR Sheet.
- The Duration of Exam will be 2 hours.

<b>Sl. No.</b>	<b>Title of the Book</b>	<b>Name of the Author/s</b>	<b>Name of the Publisher</b>	<b>Edition and Year</b>
<b>Textbook/s</b>				
1	Environmental Studies	Benny Joseph	Tata McGraw – Hill.	2 <sup>nd</sup> Edition, 2012
2	Environmental Studies	S M Prakash	Pristine Publishing House, Mangalore	3 <sup>rd</sup> Edition 2018

3	Environmental Studies – From Crisis to Cure	R Rajagopalan	Oxford Publisher	2005
<b>Reference Books</b>				
1	Principals of Environmental Science and Engineering	Raman Sivakumar	Cengage learning, Singapur.	2 <sup>nd</sup> Edition, 2005
2	Environmental Science – working with the Earth	G.Tyler Miller Jr.	Thomson Brooks /Cole,	11 <sup>th</sup> Edition, 2006
3	Text Book of Environmental and Ecology	Pratiba Sing, AnoopSingh & PiyushMalaviya	Acme Learning Pvt. Ltd. New Delhi.	1 <sup>st</sup> Edition

**BE 2018 Sixth Semester Electronics & Telecommunication Engineering/ Telecommunication Engineering**

<b>B. E. ECE/ETC</b> <b>Choice Based Credit System (CBCS) and Outcome Based Education (OBE)</b> <b>SEMESTER – VI</b>			
<b>DIGITAL COMMUNICATION</b>			
Course Code	<b>18EC61</b>	CIE Marks	40
Number of Lecture Hours/Week (L:T:P)	03 + 02 (Tutorial)	SEE Marks	60
CREDITS	04	Exam Hours	03
<p><b>Course Learning Objectives:</b> This course will enable students to:</p> <ul style="list-style-type: none"> <li>• Understand the mathematical representation of signal, symbol, noise and channels.</li> <li>• Apply the concept of signal conversion to symbols and signal processing to symbols in transmitter and receiver functional blocks.</li> <li>• Compute performance issues and parameters for symbol processing and recovery in ideal and corrupted channel conditions.</li> <li>• Compute performance parameters and mitigate for these parameters in corrupted and distorted channel conditions.</li> </ul>			
<b>Module-1</b>			
<p><b>Bandpass Signal to Equivalent Lowpass:</b> Hilbert Transform, Pre-envelopes, Complex envelopes, Canonical representation of bandpass signals, Complex low pass representation of bandpass systems, Complex representation of band pass signals and systems (Text 1: 2.8, 2.9, 2.10, 2.11, 2.12, 2.13).</p> <p><b>Line codes:</b> Unipolar, Polar, Bipolar (AMI) and Manchester code and their power spectral densities (Text 1: Ch 6.10).</p> <p>Overview of HDB3, B3ZS, B6ZS (Ref. 1: 7.2)</p>			
<b>Module-2</b>			
<p><b>Signaling over AWGN Channels-</b> Introduction, Geometric representation of signals, Gram-Schmidt Orthogonalization procedure, Conversion of the continuous AWGN channel into a vector channel, Optimum receivers using coherent detection: ML Decoding, Correlation receiver, matched filter receiver (Text 1: 7.1, 7.2, 7.3, 7.4).</p>			
<b>Module – 3</b>			
<p><b>Digital Modulation Techniques:</b> Phase shift Keying techniques using coherent detection: generation, detection and error probabilities of BPSK and QPSK, M-ary PSK, M-ary QAM (Relevant topics in Text 1 of 7.6, 7.7).</p> <p>Frequency shift keying techniques using Coherent detection: BFSK generation, detection and error probability (Relevant topics in Text 1 of 7.8).</p> <p>Non coherent orthogonal modulation techniques: BFSK, DPSK Symbol representation, Block diagrams treatment of Transmitter and Receiver, Probability of error (without derivation of probability of error equation) (Text 1: 7.11, 7.12, 7.13).</p>			
<b>Module-4</b>			
<p><b>Communication through Band Limited Channels:</b> Digital Transmission through Band limited channels: Digital PAM Transmission through Band limited Channels, Signal design for Band limited Channels: Design of band limited signals for zero ISI–The Nyquist Criterion (statement only), Design of band limited signals with controlled ISI-Partial Response signals, Probability of error for detection of Digital PAM: Probability of error for detection of Digital PAM with Zero ISI, Symbol-by-Symbol detection of data with controlled ISI (Text 2: 9.1, 9.2, 9.3.1, 9.3.2).</p> <p>Channel Equalization: Linear Equalizers (ZFE, MMSE), (Text 2: 9.4.2).</p>			
<b>Module-5</b>			
<p><b>Principles of Spread Spectrum:</b> Spread Spectrum Communication Systems: Model of a Spread Spectrum Digital Communication System, Direct Sequence Spread Spectrum Systems, Effect of De-spreading on a narrowband Interference, Probability of error (statement only), Some applications of DS Spread Spectrum Signals, Generation of PN Sequences, Frequency Hopped Spread Spectrum, CDMA based on IS-95 (Text 2: 11.3.1, 11.3.2, 11.3.3, 11.3.4, 11.3.5, 11.4.2).</p>			

**Course Outcomes:** At the end of the course, the students will be able to:

- Associate and apply the concepts of Bandpass sampling to well specified signals and channels.
- Analyze and compute performance parameters and transfer rates for low pas and bandpass symbol under ideal and corrupted non band limited channels.
- Test and validate symbol processing and performance parameters at the receiver under ideal and corrupted bandlimited channels.
- Demonstrate by simulation and emulation that bandpass signals subjected to corrupted and distorted symbols in a bandlimited channel, can be demodulated and estimated at receiver to meet specified performance criteria.

**Question paper pattern:**

- Examination will be conducted for 100 marks with question paper containing 10 full questions, each of 20 marks.
- Each full question can have a maximum of 4 sub questions.
- There will be 2 full questions from each module covering all the topics of the module.
- Students will have to answer 5 full questions, selecting one full question from each module.
- The total marks will be proportionally reduced to 60 marks as SEE marks is 60.

**Text Books:**

1. Simon Haykin, "Digital Communication Systems", John Wiley & sons, First Edition, 2014, ISBN 978-0-471-64735-5.
2. John G Proakis and Masoud Salehi, "Fundamentals of Communication Systems", 2014 Edition, Pearson Education, ISBN 978-8-131-70573-5.

**Reference Books:**

1. B.P.Lathi and Zhi Ding, "Modern Digital and Analog communication Systems", Oxford University Press, 4<sup>th</sup> Edition, 2010, ISBN: 978-0-198-07380-2.
2. Ian A Glover and Peter M Grant, "Digital Communications", Pearson Education, Third Edition, 2010, ISBN 978-0-273-71830-7.
3. Bernard Sklar and Ray, "Digital Communications - Fundamentals and Applications", Pearson Education, Third Edition, 2014, ISBN:978-81-317-2092-9.

**B. E. ELECTRONICS AND TELECOMMUNICATION ENGINEERING**  
**Choice Based Credit System (CBCS) and Outcome Based Education (OBE)**

**SEMESTER – VI**

**MICROWAVE THEORY and ANTENNAS**

<b>Course Code</b>	<b>18TE62</b>	<b>CIE Marks</b>	<b>40</b>
<b>Number of Lecture Hours/Week (L:T:P)</b>	<b>03 + 02 (Tutorial)</b>	<b>SEE Marks</b>	<b>60</b>
		<b>Exam Hours</b>	<b>03</b>

**CREDITS – 04**

**Course Learning Objectives:** This course will enable the Students to:

- Know the Principle of operation of Microwave Tubes.
- Understand the Concept of S-Parameters and various Microwave passive components.
- Understand the Basic Parameters as applied to Antennas
- Analyze Antennas and Arrays of Antennas.

**Module -1**

**Microwave Tubes:**

Introduction, Reflex Klystron oscillator, Mechanism of oscillations, modes of oscillations, Mode curve (Qualitative Analysis only). (Text-1: 9.1, 9.2.2)

**Microwave Transmission Lines:** Transmission line equations and solutions, Reflection Coefficient and Transmission Coefficient, Standing wave and Standing wave ratio, Smith chart, Single stub matching. (Text-2: 3.1, 3.2, 3.3, 3.5, 3.6, Except Double stub matching).

**Module -2**

**Microwave Network theory:** Symmetrical Z and Y-Parameters, for reciprocal Networks, S matrix representation of multi-port Networks. (Text-1: 6.1, 6.2, 6.3)

**Microwave Passive Devices:** Coaxial connectors and adapters, Attenuators, Phase shifters, Waveguide Tees, Magic tees, Circulators (Four port) and isolators(Faraday rotation Isolator). (Text-1: 6.4.2, 6.4.14, 6.4.15, 6.4.16, Except Applications of Magic TEE, 6.4.17)

**Directional coupler,** Two - hole Directional coupler, S- Matrix of a Directional Coupler.(Text-2: 4.5,4.5.1,4.5.2

**Module -3**

**Strip Lines:** Introduction, Micro Strip lines, Parallel strip lines, Coplanar strip lines, Shielded strip Lines. (Text-2: Chapter 11)

**Antenna Basics:** Introduction, Basic Antenna Parameters, Patterns, Beam Area, Radiation Intensity, Beam Efficiency, Directivity and Gain, Antenna Apertures, Effective Height, Bandwidth, Radio Communication Link, Antenna Field Zones & Polarization. (Text-3: 2.1- 2.11, 2.13, 2.13, 2.15).

**Module -4**

**Point Sources and Arrays:** Introduction, Point Sources, Power Patterns, Power Theorem, Radiation Intensity, Field Patterns, Phase Patterns, Arrays of Two Isotropic Point Sources, Pattern Multiplication, Linear Arrays of n Isotropic Point Sources of equal Amplitude and Spacing.(Text-3:, 5.1 – 5.10, 13)

**Electric Dipoles:** Introduction, Short Electric Dipole, Fields of a Short Dipole (General and Far Field Analyses), Radiation Resistance of a Short Dipole, Thin Linear Antenna (Field Analyses), Radiation Resistances of Lambda/2 Antenna. (Text-3: 6.1-6.6).

**Module -5**

**Loop and Horn Antenna:** Introduction, Small loop, Comparison of Far fields of Small Loop and Short Dipole, The Loop Antenna General Case, Far field Patterns of Circular Loop Antenna with Uniform Current , Radiation Resistance of Loops, Directivity of Circular Loop Antennas with Uniform Current, Horn antennas Rectangular Horn Antennas. (Text-3: 7.1-7.8, 7.19, 7.20).

**Antenna Types:** Helical Antenna, Helical Geometry, Practical Design Considerations of Helical Antenna, Yagi-Uda array, Parabola General Properties, Log Periodic Antenna. (Text-3: 8.3, 8.5, 8.8, 9.5, 11.7).

**Course Outcomes:** At the end of the course, the students will be able to:

- Describe the characteristic features of Microwave Tubes.
- Represent the Multiport Network in terms of S-Parameters and analyze their properties.
- Understand the design concept of Strip lines and Micro strips.
- Explain the basic parameters of Antennas
- Analyze the features of Antennas & Antenna Arrays.
- Recommend suitable Antennas for various applications.

**Question paper pattern:**

- Examination will be conducted for 100 marks with question paper containing 10 full questions, each of 20 marks.
- Each full question can have a maximum of 4 sub questions.
- There will be 2 full questions from each module covering all the topics of the module.
- Students will have to answer 5 full questions, selecting one full question from each module.
- The total marks will be proportionally reduced to 60 marks as SEE marks is 60.

**Text Books:**

1. **Microwave Engineering** – Annapurna Das, Sisir K Das TMH Publication, 2<sup>nd</sup> , 2010
2. **Microwave Devices and circuits**- Liao / Pearson Education
3. **Antennas and Wave Propagation, John D. Krauss, Ronald J Marhefka and Ahmad S Khan**, 4<sup>th</sup> Special Indian Edition , McGraw- Hill Education Pvt. Ltd., 2010.

**Reference Books :**

1. **Microwave Engineering** – David M Pozar, John Wiley India Pvt. Ltd., 3<sup>rd</sup>Edn, 2008
2. **Microwave Engineering** – Sushrut Das, Oxford Higher Education, 2<sup>nd</sup>Edn, 2015
3. **Antennas and Wave Propagation** – Harish and Sachidananda: Oxford University Press, 2007.

**B. E. ELECTRONICS AND TELECOMMUNICATION ENGINEERING**  
**Choice Based Credit System (CBCS) and Outcome Based Education (OBE)**  
**SEMESTER – VI**  
**COMPUTER COMMUNICATION NETWORKS**

Course Code	<b>18TE63</b>	CIE Marks	40
Number of Lecture Hours/Week (L:T:P)	3+2 (Tutorials)	SEE Marks	60
CREDITS	04	Exam Hours	03

**Course Learning Objectives:** This course will enable students to:

- Understand the layering architecture of OSI reference model and TCP/IP protocol suite.
- Understand the protocols associated with each layer.
- Learn the different networking architectures and their representations.
- Learn the functions and services associated with each layer.

**Module-1**

**Introduction:** Data communication: Components, Data representation, Data flow, Networks: Network criteria, Physical Structures, Network types: LAN, WAN, Switching, The Internet.

**Network Models:** Protocol Layering: Scenarios, Principles, Logical Connections, TCP/IP Protocol Suite: Layered Architecture, Layers in TCP/IP suite, Description of layers, Encapsulation and Decapsulation, Addressing, Multiplexing and Demultiplexing, The OSI Model: OSI Versus TCP/IP.

**Connecting Devices:** Hubs, Switches.

**Module-2**

**Data-Link Layer:** Introduction: Nodes and Links, Services, Categories' of link, Sublayers, Link Layer addressing: Types of addresses, ARP. Data Link Control (DLC) services: Framing, Flow and Error Control, Data Link Layer Protocols: Simple Protocol, Stop and Wait protocol, Piggybacking.

**Media Access Control:** Random Access: ALOHA, CSMA, CSMA/CD, CSMA/CA. Controlled Access: Reservation, Polling, Token Passing.

**Wireless LANs:** Introduction: Architectural Comparison, Characteristics, IEEE 802.11: Architecture, MAC Sublayer, Addressing Mechanism, Physical Layer, Bluetooth: Architecture, Layers.

**Module-3**

**Network Layer:** Introduction, Network Layer services: Packetizing, Routing and Forwarding, Other services, Packet Switching: Datagram Approach, Virtual Circuit Approach, IPV4 Addresses: Address Space, Classful Addressing, Classless Addressing, DHCP, Network Address Resolution, Forwarding of IP Packets: Based on destination Address and Label.

**Network Layer Protocols:** Internet Protocol (IP): Datagram Format, Fragmentation, Options, Security of IPv4 Datagrams, ICMPv4: Messages, Debugging Tools, Mobile IP: Addressing, Agents, Three Phases, Inefficiency in Mobile IP.

**Unicast Routing:** Introduction, Routing Algorithms: Distance Vector Routing, Link State Routing, Path vector routing.

**Module-4**

**Transport Layer:** Introduction: Transport Layer Services, Connectionless and Connection oriented Protocols, Transport Layer Protocols: Simple protocol, Stop and wait protocol, Go-Back-N Protocol, Selective repeat protocol,

**Transport-Layer Protocols:**

User Datagram Protocol: User Datagram, UDP Services, UDP Applications, Transmission Control Protocol: TCP Services, TCP Features, Segment, Connection, State Transition diagram, Windows in TCP, Flow control, Error control, TCP congestion control.

**Module-5**

**Quality of Service:** Data flow characteristics: Definitions, Flow control to improve QoS: Scheduling, Traffic shaping.

**Application Layer:** introduction: providing services, Application- layer paradigms, Standard Client –Server Protocols: World wide web, Hyper Text Transfer Protocol, FTP: Two connections, Control Connection, Data Connection, Electronic Mail: Architecture, Web Based Mail, Telnet: Local versus remote logging. Domain Name system: Name space, DNS in internet, Resolution, DNS Messages, Registrars, DDNS.



**Course Outcomes:** At the end of the course, the students will be able to:

- Understand the concepts of networking thoroughly
- Identify the protocols and services of different layers.
- Distinguish the basic network configurations and standards associated with each network.
- Analyze the performance of the network

**Question paper pattern:**

- Examination will be conducted for 100 marks with question paper containing 10 full questions, each of 20 marks.
- Each full question can have a maximum of 4 sub questions.
- There will be 2 full questions from each module covering all the topics of the module.
- Students will have to answer 5 full questions, selecting one full question from each module.

**Text Book:**

1. Forouzan, “Data Communications and Networking” , 5<sup>th</sup> Edition, McGraw Hill, 2013, ISBN: 1-25-906475-3

**Reference Books:**

1. James J Kurose, Keith W Ross, Computer Networks, , Pearson Education.
2. WayarlesTomasi , Introduction to Data Communication and Networking, , Pearson Education.
3. Andrew Tanenbaum, “Computer networks”, Prentice Hall.
4. William Stallings, “Data and computer communications”, Prentice Hall.

**B. E. ECE/ETC**  
**Choice Based Credit System (CBCS) and Outcome Based Education (OBE)**  
**SEMESTER – VI**

**OPERATING SYSTEM**

Course Code	<b>18EC641</b>	CIE Marks	40
Number of Lecture Hours/Week (L:T:P)	03	SEE Marks	60
CREDITS	03	Exam Hours	03

**Course Learning Objectives:** This course will enable students to:

- Understand the services provided by an operating system.
- Understand how processes are synchronized and scheduled.
- Understand different approaches of memory management and virtual memory management.
- Understand the structure and organization of the file system
- Understand interprocess communication and deadlock situations.

**Module-1**

**Introduction to Operating Systems**

OS, Goals of an OS, Operation of an OS, Computational Structures, Resource allocation techniques, Efficiency, System Performance and User Convenience, Classes operating System, Batch processing, Multi programming, Time Sharing Systems, Real Time and distributed Operating Systems (Topics from Sections 1.2, 1.3, 2.2 to 2.8 of Text).

**Module-2**

**Process Management:** OS View of Processes, PCB, Fundamental State Transitions, Threads, Kernel and User level Threads, Non-preemptive scheduling- FCFS and SRN, Preemptive Scheduling- RR and LCN, Scheduling in Unix and Scheduling in Linux (Topics from Sections 3.3, 3.3.1 to 3.3.4, 3.4, 3.4.1, 3.4.2 , 4.2, 4.3, 4.6, 4.7 of Text).

**Module – 3**

**Memory Management:** Contiguous Memory allocation, Non-Contiguous Memory Allocation, Paging, Segmentation, Segmentation with paging, Virtual Memory Management, Demand Paging, Virtual memory in Unix and Linux., VM handler, FIFO, LRU page replacement policies (Topics from Sections 5.5 to 5.9, 6.1 to 6.3, 6.7, 6.8 except Optimal policy and 6.3.1 of Text).

**Module-4**

**File Systems:** File systems and IOCS, File Operations, File Organizations, Directory structures, File Protection, Interface between File system and IOCS, Allocation of disk space, Implementing file access (Topics from Sections 7.1 to 7.8 of Text).

**Module-5**

**Message Passing and Deadlocks:** Overview of Message Passing, Implementing message passing, Mailboxes, Deadlocks, Deadlocks in resource allocation, Resource state modelling, Deadlock detection algorithm, Deadlock Prevention (Topics from Sections 10.1 to 10.3, 11.1 to 11.5 of Text).

**Course Outcomes:** At the end of the course, the students will be able to:

- Explain the goals, structure, operation and types of operating systems.
- Apply scheduling techniques to find performance factors.
- Explain organization of file systems and IOCS.
- Apply suitable techniques for contiguous and non-contiguous memory allocation.
- Describe message passing, deadlock detection and prevention methods.

**Question paper pattern:**

- Examination will be conducted for 100 marks with question paper containing 10 full questions, each of 20 marks.
- Each full question can have a maximum of 4 sub questions.
- There will be 2 full questions from each module covering all the topics of the module.
- Students will have to answer 5 full questions, selecting one full question from each module.

**Text Book:**

1. Operating Systems – A concept based approach, by Dhamdare, TMH, 2<sup>nd</sup> edition.

**Reference Books:**

1. Operating systems concepts, Silberschatz and Galvin, John Wiley India Pvt. Ltd, 5<sup>th</sup> edition,2001.
2. Operating system—internals and design system, William Stalling, Pearson Education, 4th ed, 2006.
3. Design of operating systems, Tannanbhaum, TMH, 2001.

**B. E. ECE/ETC**  
**Choice Based Credit System (CBCS) and Outcome Based Education (OBE)**  
**SEMESTER – VI**

**ARTIFICIAL NEURAL NETWORKS**

Course Code	<b>18EC642</b>	CIE Marks	40
Number of Lecture Hours/Week (L:T:P)	03	SEE Marks	60
CREDITS	03	Exam Hours	03

**Course Learning Objectives:** This course will enable students to:

- Understand the basics of ANN and comparison with Human brain.
- Acquire knowledge on Generalization and function approximation of various ANN architectures.
- Understand reinforcement learning using neural networks
- Acquire knowledge of unsupervised learning using neural networks.

**Module-1**

**Introduction:** Biological Neuron – Artificial Neural Model - Types of activation functions – **Architecture:** Feedforward and Feedback, Convex Sets, Convex Hull and Linear Separability, Non-Linear Separable Problem. XOR Problem, Multilayer Networks.

**Learning:** Learning Algorithms, Error correction and Gradient Descent Rules, Learning objective of TLNs, Perceptron Learning Algorithm, Perceptron Convergence Theorem.

**Module-2**

**Supervised Learning:** Perceptron learning and Non Separable sets,  $\alpha$ -Least Mean Square Learning, MSE Error surface, Steepest Descent Search,  $\mu$ -LMS approximate to gradient descent, Application of LMS to Noise Cancelling, Multi-layered Network Architecture, Backpropagation Learning Algorithm, Practical consideration of BP algorithm

**Module-3**

**Support Vector Machines and Radial Basis Function:** Learning from Examples, Statistical Learning Theory, Support Vector Machines, SVM application to Image Classification, Radial Basis Function Regularization theory, Generalized RBF Networks, Learning in RBFNs, RBF application to face recognition.

**Module-4**

**Attractor Neural Networks:** Associative Learning Attractor Associative Memory, Linear Associative memory, Hopfield Network, application of Hopfield Network, Brain State in a Box neural Network, Simulated Annealing, Boltzmann Machine, Bidirectional Associative Memory.

**Module-5**

**Self-organization Feature Map:** Maximal Eigenvector Filtering, Extracting Principal Components Generalized Learning Laws, Vector Quantization, Self-organization Feature Maps, Application of SOM, Growing Neural Gas.

**Course Outcomes:** At the end of the course, students should be able to:

- Understand the role of neural networks in engineering, artificial intelligence, and cognitive modelling.
- Understand the concepts and techniques of neural networks through the study of the most important neural network models.
- Evaluate whether neural networks are appropriate to a particular application.
- Apply neural networks to particular application, and to know what steps to take to improve performance.

**Question paper pattern:**

- Examination will be conducted for 100 marks with question paper containing 10 full questions, each of 20 marks.
- Each full question can have a maximum of 4 sub questions.
- There will be 2 full questions from each module covering all the topics of the module.
- Students will have to answer 5 full questions, selecting one full question from each module.

**Text Book:**

**Neural Networks A Classroom Approach**– Satish Kumar, McGraw Hill Education (India) Pvt. Ltd, Second Edition.

**Reference Books:**

1. **Introduction to Artificial Neural Systems**-J.M. Zurada, Jaico Publications 1994.
2. **Artificial Neural Networks**-B. Yegnanarayana, PHI, New Delhi 1998.

**B. E. ECE/ETC**  
**Choice Based Credit System (CBCS) and Outcome Based Education (OBE)**  
**SEMESTER – VI**

**OBJECT ORIENTED PROGRAMMING USING C++**

Course Code	<b>18EC643</b>	CIE Marks	40
Number of Lecture Hours/Week (L:T:P)	03	SEE Marks	60
CREDITS	03	Exam Hours	03

**Course Learning Objectives:** The objectives of this course are:

- Define Encapsulation, Inheritance and Polymorphism.
- Solve the problem with object oriented approach.
- Analyze the problem statement and build object oriented system model.
- Describe the characters and behavior of the objects that comprise a system.
- Explain function overloading, operator overloading and virtual functions.
- Discuss the advantages of object oriented programming over procedure oriented programming.

**Module-1**

**Beginning with C++ and its features:**

What is C++?, Applications and structure of C++ program, Different Data types, Variables, Different Operators, expressions, operator overloading and control structures in C++ (Topics from Ch -2,3 of Text).

**Module-2**

**Functions, classes and Objects:**

Functions, Inline function, function overloading, friend and virtual functions, Specifying a class, C++ program with a class, arrays within a class, memory allocation to objects, array of objects, members, pointers to members and member functions (Selected Topics from Chap-4,5 of Text).

**Module-3**

**Constructors, Destructors and Operator overloading:** Constructors, Multiple constructors in a class, Copy constructor, Dynamic constructor, Destructors, Defining operator overloading, Overloading Unary and binary operators, Manipulation of strings using operators (Selected topics from Chap-6, 7 of Text).

**Module-4**

**Inheritance, Pointers, Virtual Functions, Polymorphism:**

Derived Classes, Single, multilevel, multiple inheritance, Pointers to objects and derived classes, this pointer, Virtual and pure virtual functions (Selected topics from Chap-8,9 of Text).

**Module-5**

**Streams and Working with files:** C++ streams and stream classes, formatted and unformatted I/O operations, Output with manipulators, Classes for file stream operations, opening and closing a file, EOF (Selected topics from Chap-10, 11 of Text). **L1, L2, L3**

**Course Outcomes:** At the end of the course, students should be able to:

- Explain the basics of Object Oriented Programming concepts.
- Apply the object initialization and destroy concept using constructors and destructors.
- Apply the concept of polymorphism to implement compile time polymorphism in programs by using overloading methods and operators.
- Use the concept of inheritance to reduce the length of code and evaluate the usefulness.
- Apply the concept of run time polymorphism by using virtual functions, overriding functions and abstract class in programs.
- Use I/O operations and file streams in programs.

**Question paper pattern:**

- Examination will be conducted for 100 marks with question paper containing 10 full questions, each of 20 marks.
- Each full question can have a maximum of 4 sub questions.
- There will be 2 full questions from each module covering all the topics of the module.
- Students will have to answer 5 full questions, selecting one full question from each module.

**Text Book:**

Object Oriented Programming with C++, E. Balaguruswamy, TMH, 6th Edition, 2013.

**Reference Books:**

1. Object Oriented Programming using C++, Robert Lafore, Galgotia publication 2010.

**B. E. ELECTRONICS AND TELECOMMUNICATION ENGINEERING**  
**Choice Based Credit System (CBCS) and Outcome Based Education (OBE)**  
**SEMESTER – VI**

**EMBEDDED MICROCONTROLLER and SYSTEMS**

Course Code	<b>18TE644</b>	CIE Marks	40
Number of Lecture Hours/Week (L:T:P)	03	SEE Marks	60
CREDITS	03	Exam Hours	03

**Course Learning Objectives:** This course will enable students to:

- Understand the architectural features and instruction set of 32 bit microcontroller ARM Cortex M3.
- Program ARM Cortex M3 using the various instructions and C language for different applications.
- Understand the basic hardware components and their selection method based on the characteristics and attributes of an embedded system.
- Develop the hardware software co-design and firmware design approaches.
- Explain the need of real time operating system for embedded system applications.

**Module-1**

**ARM-32 bit Microcontroller:** Thumb-2 technology and applications of ARM, Architecture of ARM Cortex M3, Various Units in the architecture, Debugging support, General Purpose Registers, Special Registers, exceptions, interrupts, stack operation, reset sequence (Text 1: Ch 1, 2, 3)

**Module-2**

**ARM Cortex M3 Instruction Sets and Programming:** Assembly basics, Instruction list and description, Thumb and ARM instructions, Special instructions, Useful instructions, CMSIS, Assembly and C language Programming (Text 1: Ch-4, Ch-10.1 to 10.6)

**Module-3**

**Embedded System Components:** Embedded Vs General computing system, Classification of Embedded systems, Major applications and purpose of ES. Elements of an Embedded System (Block diagram and explanation), Differences between RISC and CISC, Harvard and Princeton, Big and Little Endian, Memory (ROM and RAM types), Sensors, Actuators, Optocoupler, Communication Interfaces (I2C, SPI, IrDA, Bluetooth, Wi-Fi, Zigbee only)

(Text 2: All the Topics from Ch-1 and Ch-2 (Fig and explanation before 2.1), 2.1.1.6 to 2.1.1.8, 2.2 to 2.2.2, 2.3 to 2.3.2 to 2.3.3.3, selected topics of 2.4.1 and 2.4.2 only).

**Module-4**

**Embedded System Design Concepts:** Characteristics and Quality Attributes of Embedded Systems, Operational and non-operational quality attributes, Embedded Systems-Application and Domain specific, Hardware Software Co-Design and Program Modelling (excluding UML), Embedded firmware design and development (excluding C language).

(Text 2: Ch-3, Ch-4, Ch-7 (Sections 7.1, 7.2 only), Ch-9 (Sections 9.1, 9.2, 9.3.1, 9.3.2 only)

**Module-5**

**RTOS and IDE for Embedded System Design:** Operating System basics, Types of operating systems, Task, process and threads (Only POSIX Threads with an example program), Thread preemption, Preemptive Task scheduling techniques, Task Communication, Task synchronization issues – Racing and Deadlock, Concept of Binary and counting semaphores (Mutex example without any program), How to choose an RTOS, Integration and testing of Embedded hardware and firmware, Embedded system Development Environment – Block diagram (excluding Keil), Disassembler/decompiler, simulator, emulator and debugging techniques

(Text 2: Ch-10 (Sections 10.1, 10.2, 10.3, 10.5.2, 10.7, 10.8.1.1, 10.8.1.2, 10.8.2.2, 10.10 only), Ch 12, Ch-13 (a block diagram before 13.1, 13.3, 13.4, 13.5, 13.6 only)



**Course Outcomes:** After studying this course, students will be able to:

- Describe the architectural features and instructions of 32 bit microcontroller ARM Cortex M3.
- Apply the knowledge gained for Programming ARM Cortex M3 for different applications.
- Understand the basic hardware components and their selection method based on the characteristics and attributes of an embedded system.
- Develop the hardware /software co-design and firmware design approaches.
- Explain the need of real time operating system for embedded system applications.

**Question paper pattern:**

- Examination will be conducted for 100 marks with question paper containing 10 full questions, each of 20 marks.
- Each full question can have a maximum of 4 sub questions.
- There will be 2 full questions from each module covering all the topics of the module.
- Students will have to answer 5 full questions, selecting one full question from each module.
- The total marks will be proportionally reduced to 60 marks as SEE marks is 60.

**Text Books:**

1. Joseph Yiu, "The Definitive Guide to the ARM Cortex-M3", 2<sup>nd</sup> Edition, Newnes, (Elsevier), 2010.
2. Shibu K V, "Introduction to Embedded Systems", Tata McGraw Hill Education Private Limited, 2<sup>nd</sup> Edition.

**Reference Books:**

1. James K. Peckol, "Embedded systems- A contemporary design tool", John Wiley, 2008, ISBN: 978-0-471-72180-2.
2. Yifeng Zhu, "Embedded Systems with Arm Cortex-M Microcontrollers in Assembly Language and C", 2nd E -Man Press LLC ©2015 ISBN:0982692633 9780982692639.
3. Embedded real time systems by K.V. K. K Prasad, Dreamtech publications, 2003.
4. Embedded Systems by Rajkamal, 2nd Edition, McGraw hill Publications, 2010.

**B. E. ELECTRONICS AND TELECOMMUNICATION ENGINEERING**  
**Choice Based Credit System (CBCS) and Outcome Based Education (OBE)**  
**SEMESTER – VI**

**RADIO FREQUENCY INTEGRATED CIRCUITS**

Course Code	<b>18TE645</b>	CIE Marks	40
Number of Lecture Hours/Week (L:T:P)	03	SEE Marks	60
CREDITS	03	Exam Hours	03

**Course Learning Objectives:** This course will enable students to:

- Introduce the theory and concept of Radio Frequency Integrated system.
- Understand different types of key wireless/RF circuits including Amplifier, Switch, Mixer, Oscillator, frequency divider, Frequency doublers, Power divider and Transmission lines.
- Analyze the performance parameters of radio frequency circuits, S-parameters, Rise time, Delay, Bandwidth and Amplifiers and identify design trade-off of radiofrequency communication systems.
- Design RLC Networks, High frequency amplifiers, Low Noise amplifiers and RF amplifiers.

### Module-1

**Overview of Wireless Principles:** A brief history of wireless systems, Non cellular wireless applications, Shannon, Modulations & Alphabet Soup, Propagation.

**Passive RLC Networks:** Introduction, Parallel RLC Tank, Series RLC Networks, Other RLC networks, RLC Networks as Impedance Transformers.

### Module-2

**Characteristics of passive IC components:** Introduction, Interconnect at radio frequencies: Skin effect, Resistors, Capacitors (Parallel plate capacitor, Interconnect capacitance), Inductors (Spiral and Bond wire), Transformers (Monolithic transformer realization), and Interconnect options at high frequency.

**A Review of MOS Device Physics:** FETs, MOSFET physics, The long –channels approximation (Drain current in linear region, Drain current in saturation, Dynamic elements), Operation in weak inversion (sub threshold), MOS device physics in the short – channel regime, Other effects.

### Module-3

**Distributed Systems:** Introduction, Link between lumped and distributed regimes, Driving-point Impedance of Iterated structures, Transmission lines in more detail, Behavior of Finite – length transmission lines.

**The Smith Chart and S-Parameters:** Introduction, The smith chart, Sparameters, Band Width Estimation Techniques, Introduction, The method of open – circuit time constant (Observation and interpretations, Accuracy of open circuit time constant, Other important considerations), The method of short circuit time constant, Rise time, Delay and Bandwidth(Exclude: Application of the Rise time addition rule, Rise time addition and bandwidth shrinkage).

### Module-4

**High Frequency Amplifier Design:** Introduction, Zeros as Bandwidth Enhancers, The shunt –series amplifier, Bandwidth Enhancement with fTDoublers, Tuned amplifiers.

**Voltage References and Biasing:** Introduction, Review of diode behavior, Diodes and bipolar transistors in CMOS technology, Supply –independent bias circuits, Band gap voltage reference, Constant gmbias.

### Module-5

**Low Noise Amplifier Design:** Introduction, Derivation of intrinsic MOSFET two port noise parameters, LNA topologies: Power match versus noise match, Power constrained noise optimization. Mixers: Introduction, Mixer fundamental, Nonlinear systems as linear mixers.

**RF Power Amplifiers:** Introduction, General considerations, Class A, AB, B and C power amplifier, Class D amplifiers, Class E amplifiers, Class F amplifiers, RF PA design examples.

**Course Outcomes:** After studying this course, students will be able to:

- Understand Wireless systems, RLC networks, Passive Components, MOS devices, Transmission lines, Amplifiers and Mixer.
- Analyze characteristics of RLC Networks, Passive IC components, MOS devices, S-parameters, Rise time, Delay, Bandwidth and Amplifiers.
- Design RLC Networks, High frequency amplifiers, Low Noise amplifiers and RF amplifiers with

general considerations.

**Question paper pattern:**

- Examination will be conducted for 100 marks with question paper containing 10 full questions, each of 20 marks.
- Each full question can have a maximum of 4 sub questions.
- There will be 2 full questions from each module covering all the topics of the module.
- Students will have to answer 5 full questions, selecting one full question from each module.
- The total marks will be proportionally reduced to 60 marks as SEE marks is 60.

**Text Book:**

1. **The Design of CMOS Radio-Frequency Integrated Circuit**, Thomas H. Lee, 2<sup>nd</sup> edition, Cambridge, 2004.

**Reference Book:**

1. **Design of Analog CMOS Integrated Circuits**, Razavi, Behzad, Tata McGraw Hill, 2005.

**B. E. ECE/ETC**  
**Choice Based Credit System (CBCS) and Outcome Based Education (OBE)**  
**SEMESTER – VI**

**SIGNAL PROCESSING**

Course Code	<b>18EC651</b>	CIE Marks	40
Number of Lecture Hours/Week (L:T:P)	03	SEE Marks	60
CREDITS	03	Exam Hours	03

**Course Learning Objectives:**

- Understand, represent and classify continuous time and discrete time signals and systems, together with the representation of LTI systems.
- Ability to represent continuous time signals (both periodic and non-periodic) in the time domain, s-domain and the frequency domain
- Understand the properties of analog filters, and have the ability to design Butterworth filters
- Understand and apply sampling theorem and convert a signal from continuous time to discrete time or from discrete time to continuous time (without loss of information)
- Able to represent the discrete time signal in the frequency domain
- Able to design FIR and IIR filters to meet given specifications

**Module-1**

Signal Definition, Signal Classification, System definition, System classification, for both continuous time and discrete time. Definition of LTI systems (Chapter 1)

**Module-2**

Introduction to Fourier Transform, Fourier Series, Relating the Laplace Transform to Fourier Transform, Frequency response of continuous time systems, (Chapter 3)

**Module-3**

Frequency response of ideal analog filters, Salient features of Butterworth filters, Design and implementation of Analog Butterworth filters to meet given specifications (Chapter 8)

**Module-4**

Sampling Theorem- Statement and proof, converting the analog signal to a digital signal. Practical sampling. The Discrete Fourier Transform, Properties of DFT. Comparing the frequency response of analog and digital systems. (FFT not included) (Chapter 3, 4)

**Module-5**

Definition of FIR and IIR filters. Frequency response of ideal digital filters  
 Transforming the Analog Butterworth filter to the Digital IIR Filter using suitable mapping techniques, to meet given specifications  
 Design of FIR Filters using the Window technique, and the frequency sampling technique to meet given specifications  
 Comparing the designed filter with the desired filter frequency response (Chapter 8)

**Course Outcomes:** After studying this course, students will be able to:

- Understand and explain continuous time and discrete time signals and systems, in time and frequency domain
- Apply the concepts of signals and systems to obtain the desired parameter/ representation
- Analyse the given system and classify the system/arrive at a suitable conclusion
- Design analog/digital filters to meet given specifications
- Design and implement the analog filter using components/ suitable simulation tools
- Design and implement the digital filter (FIR/IIR) using suitable simulation tools, and record the input and output of the filter for the given audio signal

**Question paper pattern:**

- Examination will be conducted for 100 marks with question paper containing 10 full questions, each of 20 marks.
- Each full question can have a maximum of 4 sub questions.

- There will be 2 full questions from each module covering all the topics of the module.
- Students will have to answer 5 full questions, selecting one full question from each module.

**Text Book:**

‘Signals and Systems’, by Simon Haykin and Barry Van Veen, Wiley.

**References:**

1. 'Theory and Application of Digital Signal Processing', Rabiner and Gold
2. ‘Signals and Systems’, Schaum’s Outline series
3. ‘Digital Signal Processing’, Schaum’s Outline series

**B. E. ECE/ETC**  
**Choice Based Credit System (CBCS) and Outcome Based Education (OBE)**  
**SEMESTER – VI**

**SENSORS AND SIGNAL CONDITIONING**

Course Code	<b>18EC652</b>	CIE Marks	40
Number of Lecture Hours/Week (L:T:P)	03	SEE marks	60
CREDITS	03	Exam Hours	03

**Course Learning Objectives:** This course will enable students to:

- Understand various technologies associated in manufacturing of sensors
- Acquire knowledge about types of sensors used in modern digital systems
- Get acquainted about material properties required to make sensors

**Module 1**

**Introduction to sensor bases measurement systems:**

General concepts and terminology, sensor classification, primary sensors, material for sensors, microsensor technology, magnetoresistors, light dependent resistors, resistive hygrometers, resistive gas sensors, liquid conductivity sensors (Selected topics from ch.1 & 2)

**Module 2**

**Reactance Variation and Electromagnetic Sensors:** -Capacitive Sensors, Inductive Sensors, Electromagnetic Sensors.

**Signal Conditioning for Reactance Variation Sensors-**Problems and Alternatives, ac Bridges Carrier Amplifiers, Coherent Detection, Specific Signal Conditioners for Capacitive Sensors, Resolver-to-Digital and Digital-to-Resolver Converters.

**Module 3**

**Self-generating sensors-**Thermoelectric sensors, piezoelectric sensors, pyroelectric sensors, photovoltaic sensors, electrochemical sensors.

**Module 4**

**Digital and intelligent sensors-**position encoders, resonant sensors, sensors based on quartz resonators, SAW sensors, Vibrating wire strain gages, vibrating cylinder sensors, Digital flow meters

**Module 5**

**Sensors based on semiconductor junctions** -Thermometers based on semiconductor junctions, magneto diodes and magneto transistors, photodiodes and phototransistors, sensors based on MOSFET transistors, charge-coupled sensors – types of CCD imaging sensors, ultrasonic-based sensors.

**Course Outcomes:** After studying this course, students will be able to:

- Appreciate various types of sensors and their construction
- Use sensors specific to the end use application
- Design systems integrated with sensors

**Question paper pattern:**

- Examination will be conducted for 100 marks with question paper containing 10 full questions, each of 20 marks.
- Each full question can have a maximum of 4 sub questions.
- There will be 2 full questions from each module covering all the topics of the module.
- Students will have to answer 5 full questions, selecting one full question from each module.

**Text Book:**

“Sensors and Signal Conditioning”, Ramon PallásAreny, John G. Webster, 2nd edition, John Wiley and Sons, 2000

**B. E. ELECTRONICS AND TELECOMMUNICATION ENGINEERING**  
**Choice Based Credit System (CBCS) and Outcome Based Education (OBE)**  
**SEMESTER – VI**

**COMPUTER COMMUNICATION NETWORKS LAB**

Laboratory Code	<b>18TEL66</b>	CIE Marks	40
Number of Lecture Hours/Week (L:T:P)	02 Hr Tutorial (Instructions) + 02 Hours Laboratory	SEE Marks	60
CREDITS	02	Exam Hours	03

**Course Learning Objectives:** This Laboratory course will enable the Students to:

- Choose suitable tools to Model a Network and Understand the Protocols at various OSI reference levels.
- Design a suitable Network and Simulate using a Network Simulator Tool.
- Simulate the Networking Concepts and Protocols using C/C++ Programming.
- Model the Networks for different Configurations and Analyze the Results.

**Laboratory Experiments**

**PART-A: Simulation Experiments using NS2/NS3/OPNET/NCTUNS/NetSim/QualNet or any other equivalent tool**

1. Simulate a Point to Point Network with Four Nodes and Duplex Links between them. Analyze the Network Performance by Setting the Queue Size and Varying the Bandwidth.
2. Simulate Ethernet LAN using n(6-10) Nodes and Assign Multiple traffic to the Nodes to obtain
  - i. Congestion Window for different Sources/ Destinations.
  - ii. Compare the Throughput by changing the Error Rate and Data Rate.
3. Simulate the Transmission of Ping Messages over a Network Topology consisting of Six Nodes and Find the Number of Packets dropped due to Congestion.
4. Simulate a Simple BSS with Transmitting Nodes in Wireless LAN and Determine the Performance with respect to Transmission of Packets.
5. Build a Four-node Point to Point Network with links n0-n2, n1-n2 and n2-n3.  
Connect a TCP link between n0-n3 and UDP link between n1-n3.
  - (i) Define BERs for Links. Compare TCP and UDP Protocols when errors occur.
  - (ii) Modify to Simulate a Link Failure between the Host and the Target Node. Compare TCP and UDP Protocols when the Target Node is not accessible.
6. Simulate a Network with a Star Topology (One Router and several Hosts). Declare Applications (TCP or UDP) to send Packets from Hosts and to Receive (on one Host). Test the Bandwidth and the Delay, when Buffers are of infinite Capacities and Buffers are of Limited Capacities.
7. Simulate Link State Routing Algorithm.

**PART-B: Implement the following experiments in C/C++**

1. Write a Program for asynchronous Communication (Example: File Transfer) between PCs using RS232 Cable.
2. Write a Program for a HDLC Frame to perform the following.
  - a. Bit Stuffing
  - b. Character Stuffing.
3. Write a Program to obtain CRC Code for the given Data, using CRC-CCITT (CRC 16) Polynomial. Verify the Program for the Cases.
  - a. Without Error
  - b. With Error
4. Write Programs for Simulation of Stop and Wait Protocol and Sliding Window Protocol.
5. Write a Program for Dijkstra's Algorithm to Compute the Shortest Routing Path.
6. Write a Program for RSA Algorithm for Encryption and Decryption of Data.
7. Write a Program for Congestion Control using Leaky Bucket Algorithm.

**Course Outcomes:** On the Completion of this Laboratory Course, the students will be able to:

1. Design and Simulate Network elements with various Protocols and Standards.
2. Use the Network Simulator Tools for learning and Practice of Networking Algorithms.
3. Demonstrate the Working of various Protocols and Algorithms using C Programming.

**Conduct of Practical Examination:**

1. All Laboratory Experiments are to be included for Practical Examination.
2. For examination One Question from PART-A and One question from PART-B to be set.
3. Students are allowed to Pick One Experiment from the Lot.
4. Strictly follow the Instructions as Printed on the Cover Page of Answer Script for breakup of Marks.
5. Change of Experiment is allowed only once and Marks allotted to the Procedure part to be made zero.



**B. E. ELECTRONICS AND TELECOMMUNICATION ENGINEERING**  
**Choice Based Credit System (CBCS) and Outcome Based Education (OBE)**  
**SEMESTER – VI**

**ANALOG and DIGITAL COMMUNICATION LAB**

Laboratory Code	<b>18TEL67</b>	CIE Marks	40
Number of Lecture Hours/Week (L:T:P)	0:2:2	SEE Marks	60
CREDITS	02	Exam Hours	03

**Course Learning Objectives:** This Laboratory course will enable the Students to

- Understand the Analog modulation and demodulation techniques.
- Study the concepts of Time Division Multiplexing.
- Understand the designing of Analog and Digital Modulation schemes.
- Study and analyze the generation of Line Codes.
- Model an Optical Communication System and study its Characteristics.
- Gain hands on experience in Simulating the Digital Communication concepts.

**Laboratory Experiments:**

**PART-A:**

**Following Experiments No. 1 to 5 has to be performed using discrete Components.**

1. Amplitude Modulation and Demodulation: i) Standard AM, ii)DSBSC (LM741 and LF398 ICs can be used)
2. Frequency modulation and demodulation ( IC 8038/2206 can be used)
3. Pulse sampling, flat top sampling and reconstruction
4. Time Division Multiplexing and De-multiplexing of two Band limited signals.
5. PSK and FSK Generation & Detection.
6. DPSK & QPSK Generation and Detection.
7. Generation of Line Codes.
8. Measurement of Propagation Loss, Bending Loss and Numerical Aperture of an Optical Fiber.

**PART-B:**

**Simulation Experiments using MATLAB/Simulink/Lab view/Equivalent**

1. Pulse code Modulation and Demodulation.
2. Delta modulation, Adaptive delta Modulation.
3. Simulate the transmission of baseband signals with raised cosine Transmitter Filter and Plot Eye Diagram.
4. Computations of the Probability of bit error for coherent binary ASK, FSK and PSK for an AWGN Channel and Compare them with their Performance curves.

**Course Outcomes:** At the end of the Course the Students will be able to:

- Demonstrate Time Division Multiplexing.
- Design and test Analog and Digital Modulation and demodulation circuits.
- Design and Generate Line codes for Signal Transmission.
- Analyze the characteristics of an optical communication system.
- Simulate the Digital Communication concepts, Compute and Display various parameters along with Plots/Figures.

**Conduct of Practical Examination:**

- All Laboratory Experiments are to be included for Practical Examination.
- Students are allowed to pick one Experiment from the lot.
- For examination one question from **PART-A** and one question from **PART-B** to be set.
- Strictly follow the instructions as printed on the cover page of answer script for breakup of marks.
- Change of Experiment is allowed only once and the Marks allotted for the Procedure part to be made zero.



**BE 2018 TCE Seventh Semester Syllabus**  
**B. E. ELECTRONICS AND TELECOMMUNICATION ENGINEERING**  
**Choice Based Credit System (CBCS) and Outcome Based Education (OBE)**  
**SEMESTER – VII**

**OPTICAL COMMUNICATION**

Course Code	18TE71	CIE Marks	40
Number of Lecture Hours/Week (L:T:P)	03	SEE Marks	60
CREDITS	03	Exam Hours	03

**Course Learning Objectives:** This course will enable students to:

- Learn the basic principle of optical fiber communication with different modes of light propagation.
- Understand the transmission characteristics and losses in optical fiber.
- Study of optical components and its applications in optical communication networks.
- Learn the network standards in optical fiber and understand the network architectures along with its functionalities.

**Module -1**

**Optical fiber Communications:** Historical development, The general system, Advantages of optical fiber communication, Optical fiber waveguides: Ray theory transmission, Modes in planar guide, Phase and group velocity, Cylindrical fiber: Modes, Step index fibers, Graded index fibers, Single mode fibers, Cutoff wavelength, Mode field diameter, effective refractive index. Fiber Materials, Photonic crystal fibers. (Text 2)

**Module -2**

**Transmission characteristics of optical fiber:** Attenuation, Material absorption losses, Linear scattering losses, Nonlinear scattering losses, Fiber bend loss, Dispersion, Chromatic dispersion, Intermodal dispersion: Multimode step index fiber.

**Optical Fiber Connectors:** Fiber alignment and joint loss, Fiber splices, Fiber connectors, Fiber couplers. (Text 2)

**Module -3**

**Optical sources:** Energy Bands, Direct and Indirect Bandgaps, Light Emitting diodes: LED Structures, Light Source Materials, Quantum Efficiency and LED Power, Modulation. Laser Diodes: Modes and Threshold conditions, Rate equation, External Quantum Efficiency, Resonant frequencies, Laser Diode structures and Radiation Patterns: Single mode lasers.

**Photodetectors:** Physical principles of Photodiodes, Photodetector noise, Detector response time.

**Optical Receiver:** Optical Receiver Operation: Error sources, Front End Amplifiers, Receiver sensitivity, Quantum Limit. (Text 1) **L1, L2**

**Module -4**

**WDM Concepts and Components:** Overview of WDM: Operational Principles of WDM, WDM standards, Mach-Zehnder Interferometer Multiplexers, Isolators and Circulators, Fiber grating filters, Dielectric Thin-Film Filters, Diffraction Gratings, Active Optical Components, Tunable light sources.

**Optical amplifiers:** Basic application and Types, Semiconductor optical amplifiers, Erbium Doped Fiber Amplifiers, Raman Amplifiers, Wideband Optical Amplifiers. (Text 1)

**Module -5**

**Optical Networks:** Optical network evolution and concepts: Optical networking terminology, Optical network node and switching elements, Wavelength division multiplexed networks, Public telecommunication network overview. Optical network transmission modes, layers and protocols: Synchronous networks, Asynchronous transfer mode, OSI reference model, Optical transport network, Internet protocol, Wavelength routing networks: Routing and wavelength assignment, Optical switching networks: Optical circuit switched networks, packet switched networks, Multiprotocol Label Switching, Optical burst switching networks, Optical network deployment: Long-haul networks, Metropolitan area networks, Access networks, Local area networks. (Text 2)

**Course Outcomes:** At the end of the course, students will be able to:

- Classification and working of optical fiber with different modes of signal propagation.
- Describe the transmission characteristics and losses in optical fiber communication.
- Describe the construction and working principle of optical connectors, multiplexers and amplifiers.
- Describe the constructional features and the characteristics of optical sources and detectors.
- Illustrate the networking aspects of optical fiber and describe various standards associated with it.

**Question paper pattern:**

- Examination will be conducted for 100 marks with question paper containing 10 full questions, each of 20 marks.
- Each full question can have a maximum of 4 sub questions.
- There will be 2 full questions from each module covering all the topics of the module.
- Students will have to answer 5 full questions, selecting one full question from each module.
- The total marks will be proportionally reduced to 60 marks as SEE marks is 60.

**Text Books:**

1. Gerd Keiser, Optical Fiber Communication, 5<sup>th</sup> Edition, McGraw Hill Education(India) Private Limited, 2015, ISBN: 1-25-900687-5.
2. John M Senior, Optical Fiber Communications, Principles and Practice, 3<sup>rd</sup> Edition, Pearson Education, 2010, ISBN: 978-81-317-3266-3.

**Reference Book:**

Joseph C Palais, Fiber Optic Communication , Pearson Education, 2005, ISBN:0130085103

**B. E. ELECTRONICS AND TELECOMMUNICATION ENGINEERING**  
**Choice Based Credit System (CBCS) and Outcome Based Education (OBE)**  
**SEMESTER – VII**

**WIRELESS COMMUNICATIONS**

Course Code:	<b>18TE72</b>	CIE Marks	40
Number of Lecture Hours/Week (L:T:P)	03	SEE Marks	60
Credits	03	Exam Hours	03

**Course Learning Objectives:**

- Understand the concepts of propagation mechanisms in wireless channels from a physics standpoint.
- Analyse propagation model for simple channels involving two paths only using concepts studied from physics.
- Develop a statistical model for practical channels involving multiplicity of propagation paths and its application in a cellular scenario.
- Application of Communication theory both Physical and networking to understand GSM and CDMA systems that handle mobile telephony.

**Module-1**

**Mobile Radio Propagation – Large Scale Path Loss**

Introduction, Free Space Propagation Model, Relating Power to Electric Field, Three Basic Propagation Mechanisms – Reflection (Ground Reflection) , Diffraction, Scattering, Practical Link Budget, Outdoor Propagation Models(Okumura – Hata Model only). (Chapter 4.1 – 4.10, Text 1)

**Module-2**

**Mobile Radio Propagation – Small Scale Fading and Multipath**

Small Scale Multipath Propagation, Impulse Response of Multipath Channel, Small Scale Multipath Measurements, Parameters of Mobile Multipath Channels, Types of Small scale Fading, Rayleigh and Rician Distributions, Statistical Models for Multipath Fading Channels. (Chapter 5.1 – 5.7, Text 1)

**The Cellular Concept – System Design Fundamentals**

Frequency Reuse, Channel Assignment Strategies, Handoff Strategies, Interference and System Capacity. Trunking and Grade of Service. (Chapter 3.2 – 3.6, Text 1)

**Module-3**

**Multiple Access Techniques for Wireless Communications**

Introduction to Multi Access, Frequency Division Multi Access, Time Division Multi Access, Spread Spectrum Multi Access, Space Division Multi Access, Packet Radio, Capacity of Cellular systems. (Chapter 9.1 – 9.7 , Text 1)

Improving Coverage and Capacity in Cellular Systems (3.7, Text 1)

**Module-4**

**GSM – Global System for Mobile Communications: Historical Overview; System Overview – (Base Station Subsystem, Network and Switching Subsystem, Operating Support System), The Air Interface, Logical and Physical Channels – (Logical Channels, Mapping Between Logical and Physical Channels); Synchronization – (Frequency Synchronization, Time Synchronization, Timing Advance, Summary of Burst Structures); Coding – (Voice Encoding, Channel Encoding, Cryptography, Frequency Hopping); Equalizer, Circuit-Switched Data Transmission – (Establishing a Connection and Handover, Identity Numbers, Identification of a Mobile Subscriber, Examples for Establishment of a Connection, Examples of Different Kinds of Handovers); Services and Billing – (Available Services, Billing). General Packet Radio Service. (Chapter 24, Text 2)**

**Module-5**

**IS-95 and CDMA 2000 : System Overview, Air Interface – (Frequency Bands and Duplexing, Spreading and Modulation, Power Control, Pilot Signal), Coding – (Speech Coders, Error Correction Coding), Spreading and Modulation –( Long and Short Spreading Codes and Walsh Codes, Spreading and Modulation in the Uplink, Databurst Randomization and Gating for the Uplink, Spreading and Modulation in the Downlink), Logical and Physical Channels – (Traffic Channels, Access Channel, Pilot Channels, Synchronization Channel, Paging Channel, Power Control Subchannel, Mapping Logical Channels to Physical Channels), Handover. CDMA 2000 –History, 1x Mode, 3x Mode, 1xEV-DO (Chapter 25, Text 2)**

**Course Outcomes:** After completing the course, the students will be able to

- Explain concepts of propagation mechanisms like Reflection, Diffraction, Scattering in wireless channels.
- Analyse signal received levels for simple channels involving two paths only and multipath propagation channels in a specific cellular scenario.
- Develop a scheme for idle mode, call set up, call progress handling and call tear down in a GSM cellular network.
- Develop a scheme for idle mode, call set up, call progress handling and call tear down in a CDMA cellular network.

**Question paper pattern:**

- Examination will be conducted for 100 marks with question paper containing 10 full questions, each of 20 marks.
- Each full question can have a maximum of 4 sub questions.
- There will be 2 full questions from each module covering all the topics of the module.
- Students will have to answer 5 full questions, selecting one full question from each module.

**Text Books:**

1. **“Wireless Communications: Principles and Practice”** Theodore Rappaport, 2nd Edition, Prentice Hall Communications Engineering and Emerging Technologies Series, 2002, ISBN 0-13-042232-0.
2. **“Wireless Communications”**, Andreas F Molisch, 2nd Edition, John Wiley and Sons, 2011, ISBN: ISBN: 9780470741870 (H/B), ISBN: 9780470741863 (P/B)

## Professional Elective - 2

**B. E. ECE/ETC**  
**Choice Based Credit System (CBCS) and Outcome Based Education (OBE)**  
**SEMESTER – VII**

**REAL TIME SYSTEM**

Course Code	<b>18EC731</b>	CIE Marks	40
Number of Lecture Hours/Week (L:T:P)	03	SEE Marks	60
Credits	03	Exam Hours	03

**Course Objectives:** This Course will enable students to:

- Discuss the historical background of Real-time systems and its classifications.
- Describe the concepts of computer control and hardware components for Real-Time Application.
- Discuss the languages to develop software for Real-Time Applications.
- Explain the concepts of operating system and RTS development methodologies.

### Module-1

**Introduction to Real-Time Systems:** Historical background, Elements of a Computer Control System, RTS-Definition, Classification of Real-time Systems, Time Constraints, Classification of Programs.

**Concepts of Computer Control:** Introduction, Sequence Control, Loop Control, Supervisory Control, Centralized Computer Control, Hierarchical Systems. (Text: 1.1 to 1.6 and 2.1 to 2.6)

### Module-2

**Computer Hardware Requirements for Real-Time Applications:** Introduction, General Purpose Computer, Single Chip Microcomputers and Microcontrollers, Specialized Processors, Process-Related Interfaces, Data Transfer Techniques, Communications, Standard Interface.(Text: 3.1 to 3.8)

### Module-3

**Languages for Real-Time Applications:** Introduction, Syntax Layout and Readability, Declaration and Initialization of Variables and Constants, Cutlass, Modularity and Variables, Compilation of Modular Programs, Data types, Control Structures, Exception Handling, Low-level facilities, Co-routines, Interrupts and Device Handling, Concurrency, Real-Time Support, Overview of Real-Time Languages. (Text: 5.1 to 5.14)

### Module-4

**Operating Systems:** Introduction, Real-Time Multi-Tasking OS, Scheduling Strategies, Priority Structures, Task Management, Scheduler and Real-Time Clock Interrupt Handler, Memory Management, Code Sharing, Resource Control, Task Co-Operation and Communication, Mutual Exclusion.(Text: 6.1 to 6.11)

### Module-5

**Design of RTS – General Introduction:** Introduction, Specification Document, Preliminary Design, Single-Program Approach, Foreground/Background System.

**RTS Development Methodologies:** Introduction, Yourdon Methodology, Ward and Mellor Method, Hatley and Pirbhai Method. (Text: 7.1 to 7.5 and 8.1, 8.2, 8.4,8.5)

**Course Outcomes:** At the end of the course, students should be able to:

- Understand the fundamentals of Real time systems and its classifications.
- Understand the concepts of computer control, operating system and the suitable computer hardware requirements for real-time applications.
- Develop the software languages to meet Real time applications.
- Apply suitable methodologies to design and develop Real-Time Systems.

### Question paper pattern:

- Examination will be conducted for 100 marks with question paper containing 10 full questions, each of 20 marks.
- Each full question can have a maximum of 4 sub questions.
- There will be 2 full questions from each module covering all the topics of the module.
- Students will have to answer 5 full questions, selecting one full question from each module.
- The total marks will be proportionally reduced to 60 marks as SEE marks is 60.

### Text Book:

Real-Time Computer Control, by Stuart Bennet, 2nd Edn. Pearson Education. 2008.

**Reference Books:**

1. C.M. Krishna, Kang G. Shin, "Real –Time Systems", McGraw –Hill International Editions, 1997.
2. Real-Time Systems Design and Analysis, Phillip. A. Laplante, second edition, PHI, 2005.
3. Embedded Systems, Raj Kamal, Tata McGraw Hill, India, third edition, 2005.



**B. E. ECE/ETC**  
**Choice Based Credit System (CBCS) and Outcome Based Education (OBE)**  
**SEMESTER – VII**

**SATELLITE COMMUNICATION**

Course Code	<b>18EC732</b>	CIE Marks	40
Number of Lecture Hours/Week (L:T:P)	03	SEE Marks	60
CREDITS	03	Exam Hours	03

**Course Objectives:** This course will enable students to

- Understand the basic principle of satellite orbits and trajectories.
- Study of electronic systems associated with a satellite and the earth station.
- Understand the various technologies associated with the satellite communication.
- Focus on a communication satellite and the national satellite system.
- Study of satellite applications focusing various domains services such as remote sensing, weather forecasting and navigation.

**Module-1**

**Satellite Orbits and Trajectories:** Definition, Basic Principles, Orbital parameters, Injection velocity and satellite trajectory, Types of Satellite orbits, Orbital perturbations, Satellite stabilization, Orbital effects on satellite's performance, Eclipses, Look angles: Azimuth angle, Elevation angle.

**Module-2**

**Satellite subsystem:** Power supply subsystem, Attitude and Orbit control, Tracking, Telemetry and command subsystem, Payload.

**Earth Station:** Types of earth station, Architecture, Design considerations, Testing, Earth station Hardware, Satellite tracking.

**Module-3**

**Multiple Access Techniques:** Introduction, FDMA (No derivation), SCPC Systems, MCPC Systems, TDMA, CDMA, SDMA.

**Satellite Link Design Fundamentals:** Transmission Equation, Satellite Link Parameters, Propagation considerations.

**Module-4**

**Communication Satellites:** Introduction, Related Applications, Frequency Bands, Payloads, Satellite Vs. Terrestrial Networks, Satellite Telephony, Satellite Television, Satellite radio, Regional satellite Systems, National Satellite Systems.

**Module-5**

**Remote Sensing Satellites:** Classification of remote sensing systems, orbits, Payloads, Types of images: Image Classification, Interpretation, Applications.

**Weather Forecasting Satellites:** Fundamentals, Images, Orbits, Payloads, Applications.

**Navigation Satellites:** Development of Satellite Navigation Systems, GPS system, Applications.

**Course Outcomes:** At the end of the course, the students will be able to:

- Describe the satellite orbits and its trajectories with the definitions of parameters associated with it.
- Describe the electronic hardware systems associated with the satellite subsystem and earth station.
- Describe the various applications of satellite with the focus on national satellite system.
- Compute the satellite link parameters under various propagation conditions with the illustration of multiple access techniques.

**Question paper pattern:**

- Examination will be conducted for 100 marks with question paper containing 10 full questions, each of 20 marks.
- Each full question can have a maximum of 4 sub questions.
- There will be 2 full questions from each module covering all the topics of the module.
- Students will have to answer 5 full questions, selecting one full question from each module.

**Text Book:**

Anil K. Maini, Varsha Agrawal, Satellite Communications, Wiley India Pvt. Ltd., 2015, ISBN: 978-81-265-2071-8.

**Reference Books :**

1. Dennis Roddy, Satellite Communications, 4<sup>th</sup> Edition, McGraw- Hill International edition, 2006.
2. Timothy Pratt, Charles Bostian, Jeremy Allnutt, Satellite Communications, 2<sup>nd</sup> Edition, Wiley India Pvt. Ltd , 2017, ISBN: 978-81-265-0833-4.

**B. E. ECE/ETC**  
**Choice Based Credit System (CBCS) and Outcome Based Education (OBE)**  
**SEMESTER – VII**

**DIGITAL IMAGE PROCESSING**

Course Code	<b>18EC733</b>	CIE Marks	40
Number of Lecture Hours/Week	03	SEE Marks	60
CREDITS	03	Exam Hours	03

**Course Learning Objectives:** This course will enable students to

- Understand the fundamentals of digital image processing.
- Understand the image transforms used in digital image processing.
- Understand the image enhancement techniques used in digital image processing.
- Understand the image restoration techniques and methods used in digital image processing.

**Module1**

Digital Image Fundamentals: What is Digital Image Processing?, Origins of Digital Image Processing, Examples of fields that use DIP, Fundamental Steps In Digital Image Processing, Components of an Image Processing System, Elements of Visual Perception, Image Sensing and Acquisition (Text: Chapter 1 and Chapter 2: Sections 2.1 to 2.2, 2.6.2)

**Module-2**

Image Enhancement in the Spatial Domain: Image Sampling and Quantization, Some Basic Relationships Between Pixels, Linear and Nonlinear Operations. Some Basic Intensity Transformation Functions, Histogram Processing, Fundamentals of Spatial Filtering, Smoothing Spatial Filters, Sharpening Spatial Filters (Text: Chapter 2: Sections 2.3 to 2.6.2, Chapter 3: Sections 3.2 to 3.6)

**Module-3**

Frequency Domain: Preliminary Concepts, The Discrete Fourier Transform (DFT) of Two Variables, Properties of the 2-DDFT, Filtering in the Frequency Domain, Image Smoothing and Image Sharpening Using Frequency Domain Filters, Selective Filtering. (Text: Chapter 4: Sections 4.2, 4.5 to 4.10)

**Module-4**

Restoration: Noise models, Restoration in the Presence of Noise Only using Spatial Filtering and Frequency Domain Filtering, Linear, Position-Invariant degradations, Estimating the Degradation Function, Inverse Filtering, Minimum Mean Square Error (Wiener) Filtering, Constrained Least Squares Filtering. (Text: Chapter 5: Sections 5.2, to 5.9)

**Module-5**

Morphological Image Processing: Preliminaries, Erosion and Dilation, Opening and Closing Color Image Processing: Color Fundamentals, Color Models, Pseudo color Image Processing. (Text: Chapter 6: Sections 6.1 to 6.3 Chapter 9: Sections 9.1 to 9.3)

**Course Outcomes:** At the end of the course, students should be able to:

- Understand image formation and the role human visual system plays in perception of gray and color image data.
- Apply image processing techniques in both the spatial and frequency (Fourier) domains.
- Design and evaluate image analysis techniques
- Conduct independent study and analysis of Image Enhancement and restoration techniques

**Question paper pattern:**

- Examination will be conducted for 100 marks with question paper containing 10 full questions, each of 20 marks.
- Each full question can have a maximum of 4 sub questions.
- There will be 2 full questions from each module covering all the topics of the module.
- Students will have to answer 5 full questions, selecting one full question from each module.

**Text Book:**

Digital Image Processing - Rafael Gonzalez and Richard E. Woods, PHI 3rd Edition 2010.

**Reference Books:**

1. Digital Image Processing - S. Jayaraman, S. Esakkirajan, T. Veerakumar, Tata McGraw Hill 2014.
2. Fundamentals of Digital Image Processing - A.K. Jain, Pearson 2004.
3. Image Processing analysis and Machine vision with MindTap - Milan Sonka and Roger Boile, Cengage Publications, 2018

**B. E. ECE/ETC**  
**Choice Based Credit System (CBCS) and Outcome Based Education (OBE)**  
**SEMESTER – VII**

**DATA STRUCTURES USING C++**

Course Code	<b>18EC734</b>	CIE Marks	40
Number of Lecture Hours/Week	03	SEE Marks	60
CREDITS	03	Exam Hours	03

**Course Learning Objectives:** This course will enable students to

- Explain fundamentals of data structures and their applications essential for programming/problem solving
- Analyze Linear Data Structures: Stack, Queues, Lists
- Analyze Non Linear Data Structures: Trees
- Assess appropriate data structure during program development/Problem Solving

**Module1**

**INTRODUCTION:** Functions and parameters, Dynamic memory allocation, Recursion.

**LINEAR LISTS:** Data objects and structures, Linear list data structures, Array Representation, Vector Representation, Singly Linked lists and chains.

**Module-2**

**ARRAYS AND MATRICES:** Arrays, Matrices, Special matrices, Sparse matrices.

**STACKS:** The abstract data types, Array Representation, Linked Representation, and Applications-Paranthesis Matching & Towers of Hanoi.

**Module-3**

**QUEUES:** The abstract data types, Array Representation, Linked Representation, Applications-Railroad car arrangement.

**HASHING:** Dictionaries, Linear representation, Hash table representation.

**Module-4**

**BINARY AND OTHER TREES:** Trees, Binary trees, Properties and representation of binary trees, Common binary tree operations, Binary tree traversal the ADT binary tree, ADT binary tree and the class linked binary tree.

**Module-5**

**Priority Queues:** Linear lists, Heaps, Applications-Heap Sorting.

**Search Trees:** Binary search trees operations and implementation, Binary Search trees with duplicates.

**Course Outcomes:** After studying this course, students will be able to:

- Acquire knowledge of Dynamic memory allocation, Various types of data structures, operations and algorithms and Sparse matrices and Hashing.
- Understand non linear data structures trees and their applications.
- Design appropriate data structures for solving computing problems.
- Analyze the operations of Linear Data structures: Stack, Queue and Linked List and their applications.

**Question paper pattern:**

- Examination will be conducted for 100 marks with question paper containing 10 full questions, each of 20 marks.
- Each full question can have a maximum of 4 sub questions.
- There will be 2 full questions from each module covering all the topics of the module.
- Students will have to answer 5 full questions, selecting one full question from each module.

**Text Book:**

**Data structures, Algorithms, and applications in C++,** SartajSahni, Universities Press, 2<sup>nd</sup> Edition, 2005.

**Reference Books:**

1. **Data structures, Algorithms, and applications in C++,** SartajSahni, Mc. Graw Hill, 2000.
2. **Object Oriented Programming with C++,** E.Balaguruswamy, TMH, 6th Edition, 2013.
3. **Programming in C++,** E.Balaguruswamy. TMH, 4th, 2010.

**B. E. ELECTRONICS AND TELECOMMUNICATION ENGINEERING**  
**Choice Based Credit System (CBCS) and Outcome Based Education (OBE)**  
**SEMESTER – VII**

**CMOS VLSI DESIGN**

Course Code	<b>18TE735</b>	CIE Marks	40
Number of Lecture Hours/Week (L:T:P)	03	SEE Marks	60
<b>CREDITS</b>	03	Exam Hours	03

**Course Learning Objectives:** The objectives of the course is to enable students to:

- Impart knowledge of MOS transistor theory and CMOS technologies
- Learn the operation principles and analysis of inverter circuits.
- Design Combinational, sequential and dynamic logic circuits as per the requirements
- Infer the operation of Semiconductors Memory circuits.
- Demonstrate the concepts of CMOS testing

**Module-1**

**Introduction:** A Brief History, MOS Transistors, CMOS Logic (1.1 to 1.4 of TEXT2)

**MOS Transistor Theory:** Introduction, Long-channel I-V Characteristics, Non-ideal I-V Effects, DC Transfer Characteristics (2.1, 2.2, 2.4 and 2.5 of TEXT2).

**Module-2**

**Fabrication:** CMOS Fabrication and Layout, VLSI Design Flow, Introduction, CMOS Technologies, Layout Design Rules, (1.5 and 3.1 to 3.3 of TEXT2).

MOSFET Scaling and Small-Geometry Effects, MOSFET Capacitances (3.5 to 3.6 of TEXT1)

**Module-3**

**Delay:** Introduction, Transient Response, RC Delay Model, Linear Delay Model, Logical Efforts of Paths (4.1 to 4.5 of TEXT2, except sub-sections 4.3.7, 4.4.5, 4.4.6, 4.5.5 and 4.5.6)

**Combinational Circuit Design:** Introduction, Circuit families (9.1 to 9.2 of TEXT2, except subsection 9.2.4)

**Module-4**

**Sequential Circuit Design:** Introduction, Circuit Design for Latches and Flip-Flops (10.1 and 10.3.1 to 10.3.4 of TEXT2)

**Dynamic Logic Circuits:** Introduction, Basic Principles of Pass Transistor Circuits, Synchronous Dynamic Circuit Techniques, Dynamic CMOS Circuit Techniques (9.1, 9.2, 9.4 to 9.5 of TEXT1)

**Module-5**

**Semiconductor Memories:** Introduction, Dynamic Random Access Memory (DRAM) and Static Random Access Memory (SRAM), (10.1 to 10.3 of TEXT1)

**Testing and Verification:** Introduction, Logic Verification Principles, Manufacturing Test Principles, Design for testability (15.1, 15.3, 15.5 15.6.1 to 15.6.3 of TEXT 2).

**Course Outcomes:** At the end of the course, the students will be able to:

- Demonstrate understanding of MOS transistor theory, CMOS fabrication flow and technology scaling.
- Draw the basic gates using the stick and layout diagrams with the knowledge of physical design aspects.
- Demonstrate ability to design Combinational, sequential and dynamic logic circuits as per the requirements
- Interpret Memory elements along with timing considerations
- Interpret testing and testability issues in VLSI Design

**Question paper pattern:**

- Examination will be conducted for 100 marks with question paper containing 10 full questions, each of 20 marks.
- Each full question can have a maximum of 4 sub questions.
- There will be 2 full questions from each module covering all the topics of the module.
- Students will have to answer 5 full questions, selecting one full question from each module.

**Text Books:**

1. “CMOS Digital Integrated Circuits: Analysis and Design” - **Sung Mo Kang & Yosuf Leblebici**, Third Edition, Tata McGraw-Hill.

**2. “CMOS VLSI Design- A Circuits and Systems Perspective”-** Neil H. E. Weste, and David Money Harris<sup>4<sup>th</sup></sup> Edition, Pearson Education.

**Reference Books:**

1. Adel Sedra and K. C. Smith, “Microelectronics Circuits Theory and Applications”, 6<sup>th</sup> or 7<sup>th</sup> Edition, Oxford University Press, International Version, 2009.
2. Douglas A Pucknell & Kamran Eshragian, “Basic VLSI Design”, PHI 3rd Edition, (original Edition – 1994).
3. Behzad Razavi, “Design of Analog CMOS Integrated Circuits”, TMH, 2007.

**Professional Electives – 3**

**B. E. ECE/ETC  
Choice Based Credit System (CBCS) and Outcome Based Education (OBE)  
SEMESTER – VII**

**IoT& WIRELESS SENSOR NETWORKS**

Course Code	18EC741	CIE Marks	40
Number of Lecture Hours/Week (L:T:P)	03	SEE Marks	60
CREDITS	03	Exam Hours	03

**Course Learning Objectives:** This course will enable students to:

- Describe the OSI Model for IoT/M2M Systems.
- Understand the architecture and design principles for device supporting IoT.
- Develop competence in programming for IoT Applications.
- Identify the uplink and downlink communication protocols which best suits the specific application of IOT / WSNs.

**Module-1**

**Overview of Internet of Things:** IoT Conceptual Framework, IoT Architectural View, Technology Behind IoT, Sources of IoT,M2M communication, Examples of IoT. Modified OSI Model for the IoT/M2M Systems, data enrichment, data consolidation and device management at IoT/M2M Gateway, web communication protocols used by connected IoT/M2M devices, Message communication protocols (CoAP-SMS, CoAP-MQ, MQTT, XMPP) for IoT/M2M devices. – Refer Chapter 1, 2 and 3 of Text 1.

**Module-2**

**Architecture and Design Principles for IoT:** Internet connectivity, Internet-based communication, IPv4, IPv6, 6LoWPAN protocol, IP Addressing in the IoT, Application layer protocols: HTTP, HTTPS, FTP, TELNET and ports.

**Data Collection, Storage and Computing using a Cloud Platform:** Introduction, Cloud computing paradigm for data collection, storage and computing, Cloud service models, IoT Cloud- based data collection, storage and computing services using Nimbits. - Refer Chapter 4 and 6 of Text 1.

**Module-3**

**Prototyping and Designing Software for IoT Applications:** Introduction, Prototyping Embedded device software, Programming Embedded Device Arduino Platform using IDE, Reading data from sensors and devices, Devices, Gateways, Internet and Web/Cloud services software development.

Programming MQTT clients and MQTT server. Introduction to IoT privacy and security. Vulnerabilities, security requirements and threat analysis, IoT Security Tomography and layered attacker model. - Refer Chapter 9 and 10 of Text 1.

**Module-4**

**Overview of Wireless Sensor Networks:** Challenges for Wireless Sensor Networks, Enabling Technologies for Wireless Sensor Networks.

**Architectures:** Single-Node Architecture - Hardware Components, Energy Consumption of Sensor Nodes, Operating Systems and Execution Environments, Network Architecture-Sensor Network Scenarios, Optimization Goals and Figures of Merit, Design principles for WSNs, Service interfaces of WSNs Gateway Concepts. - Refer Chapter 1, 2, 3 of Text 2.

**Module-5**

**Communication Protocols:**

Physical Layer and Transceiver Design Considerations, MAC Protocols for Wireless Sensor Networks, Low Duty Cycle Protocols And Wakeup Concepts - S-MAC , The Mediation Device Protocol, Wakeup Radio Concepts, Contention based protocols(CSMA,PAMAS), Schedule based protocols (LEACH, SMACS, TRAMA) Address and Name Management in WSNs, Assignment of MAC Addresses, Routing Protocols- Energy-Efficient Routing, Geographic Routing, Hierarchical networks by clustering- Refer Chapter 4, 5, 7 and 11 of Text 2.

**Course Outcomes:** At the end of the course, students will be able to:

- Understand choice and application of IoT& M2M communication protocols.
- Describe Cloud computing and design principles of IoT.
- Awareness of MQTT clients, MQTT server and its programming.
- Develop an architecture and its communication protocols of of WSNs.

**Question paper pattern:**

- Examination will be conducted for 100 marks with question paper containing 10 full questions, each of 20 marks.
- Each full question can have a maximum of 4sub questions.
- There will be2 full questions from each module covering all the topics of the module.
- Students will have to answer 5full questions, selecting one full question from each module.
- The total marks will be proportionally reduced to 60 marks as SEE marks is 60.

**Text Books:**

1. Raj Kamal, "Internet of Things-Architecture and design principles", McGraw Hill Education.
2. Holger Karl & Andreas Willig, "Protocols And Architectures for Wireless Sensor Networks", John Wiley, 2005.

**Reference Books:**

1. Feng Zhao & Leonidas J. Guibas, "Wireless Sensor Networks- An Information Processing Approach", Elsevier, 2007.
2. Kazem Sohraby, Daniel Minoli, &TaiebZnati, "Wireless Sensor Networks- Technology, Protocols, And Applications", John Wiley, 2007.
3. Anna Hac, "Wireless Sensor Network Designs", John Wiley, 2003.



**B. E. ECE/ETC**  
**Choice Based Credit System (CBCS) and Outcome Based Education (OBE)**  
**SEMESTER – VII**

**AUTOMOTIVE ELECTRONICS**

Course Code	<b>18EC742</b>	CIE Marks	40
Number of Lecture Hours/Week (L:T:P)	03	SEE Marks	60
CREDITS	03	Exam Hours	03

**Course Learning Objectives:** This course will enable students to:

- Understand the basics of automobile dynamics and design electronics to complement those features.
- Design and implement the electronics that attribute the reliability, safety, and smartness to the automobiles, providing add-on comforts.

**Module -1**

**Automotive Fundamentals Overview** – Evolution of Automotive Electronics, Automobile Physical Configuration, Survey of Major Automotive Systems, The Engine – Engine Block, Cylinder Head, Four Stroke Cycle, Engine Control, Ignition System - Spark plug, High voltage circuit and distribution, Spark pulse generation, Ignition Timing, Diesel Engine, Drive Train - Transmission, Drive Shaft, Differential, Suspension, Brakes, Steering System (Text 1: Chapter1), Starter Battery –Operating principle (Text 2: Pg. 407-410)

**The Basics of Electronic Engine Control** – Motivation for Electronic Engine Control – Exhaust Emissions, Fuel Economy, Concept of an Electronic Engine control system, Definition of General terms, Definition of Engine performance terms, Engine mapping, Effect of Air/Fuel ratio, spark timing and EGR on performance, Control Strategy, Electronic Fuel control system, Analysis of intake manifold pressure, Electronic Ignition. (Text 1: Chapter 5)

**Module -2**

**Automotive Sensors** – Automotive Control System applications of Sensors and Actuators – Variables to be measured, Airflow rate sensor, Strain Gauge MAP sensor, Engine Crankshaft Angular Position Sensor, Magnetic Reluctance Position Sensor, Hall effect Position Sensor, Shielded Field Sensor, Optical Crankshaft Position Sensor, Throttle Angle Sensor (TAS), Engine Coolant Temperature (ECT) Sensor, Exhaust Gas Oxygen (O<sub>2</sub>/EGO) Lambda Sensors, Piezoelectric Knock Sensor. **(Text 1: Chapter 6)**

**Automotive Engine Control Actuators** – Solenoid, Fuel Injector, EGR Actuator, Ignition System (Text 1: Chapter 6)

**Module -3**

**Digital Engine Control Systems** – Digital Engine control features, Control modes for fuel Control (Seven Modes), EGR Control, Electronic Ignition Control - Closed loop Ignition timing, Spark Advance Correction Scheme, Integrated Engine Control System - Secondary Air Management, Evaporative Emissions Canister Purge, Automatic System Adjustment, System Diagnostics. (Text 1: Chapter 7)

**Control Units** – Operating conditions, Design, Data processing, Programming, Digital modules in the Control unit, Control unit software. (Text 2: Pg. 196-207)

**Module -4**

**Automotive Networking** –Bus Systems – Classification, Applications in the vehicle, Coupling of networks, Examples of networked vehicles (Text 2: Pg. 85-91).

Buses - CAN Bus, LIN Bus, MOST Bus, Bluetooth, Flex Ray, Diagnostic Interfaces. (Text 2: Pg. 92-151)

**Vehicle Motion Control** – Typical Cruise Control System, Digital Cruise Control System, Digital Speed Sensor, Throttle Actuator, Digital Cruise Control configuration, Cruise Control Electronics (Digital only), Antilock Brake System (ABS) (Text 1: Chapter 8)

**Module -5**

**Automotive Diagnostics**–Timing Light, Engine Analyzer, On-board diagnostics, Off-board diagnostics, Expert Systems, Occupant Protection Systems – Accelerometer based Air Bag systems. (Text 1: Chapter 10)

**Future Automotive Electronic Systems** – Alternative Fuel Engines, Electric and Hybrid vehicles, Fuel cell powered cars, Collision Avoidance Radar warning Systems, Low tire pressure warning system, Heads Up display, Speech Synthesis, Navigation – Navigation Sensors - Radio Navigation, Signpost navigation, dead reckoning navigation, Voice Recognition Cell Phone dialing, Advanced Cruise Control, Stability Augmentation, Automatic driving Control (Text 1: Chapter 11)

**Course Outcomes:** At the end of the course, students will be able to:

- Acquire an overview of automotive components, subsystems, and basics of Electronic Engine Control in today's automotive industry.
- Use available automotive sensors and actuators while interfacing with microcontrollers / microprocessors during automotive system design.
- Understand the networking of various modules in automotive systems, communication protocols and diagnostics of the sub systems.
- Design and implement the electronics that attribute the reliability, safety, and smartness to the automobiles, providing add-on comforts and get fair idea on future Automotive Electronic Systems.

**Text Books:**

1. William B. Ribbens, "Understanding Automotive Electronics", 6th Edition, Elsevier Publishing.
2. Robert Bosch GmbH (Ed.) Bosch Automotive Electrics and Automotive Electronics Systems and Components, Networking and Hybrid Drive, 5th edition, John Wiley & Sons Inc., 2007.

**B. E. ECE/ETC**  
**Choice Based Credit System (CBCS) and Outcome Based Education (OBE)**  
**SEMESTER – VII**

**MULTIMEDIA COMMUNICATION**

Course Code	<b>18EC743</b>	CIE Marks	40
Number of Lecture Hours/Week	03	Exam Marks	60
CREDITS	03	Exam Hours	03

**Course Learning Objectives:** This course will enable students to:

- Understand the importance of multimedia in today's online and offline information sources and repositories.
- Understand the how Text, Audio, Image and Video information can be represented digitally in a computer so that it can be processed, transmitted and stored efficiently.
- Understand the Multimedia Transport in Wireless Networks
- Understand the Real-time multimedia network applications.
- Understand the Different network layer based application.

**Module -1**

**Multimedia Communications:** Introduction, Multimedia information representation, multimedia networks, multimedia applications, Application and networking terminology. **(Chap 1 of Text 1)**

**Module -2**

**Information Representation:** Introduction, Digitization principles, Text, Images, Audio and Video.**(Chap 2 of Text 1)**

**Module -3**

**Text and Image Compression:** Introduction, Compression principles, text compression ,image Compression.**(Chap 3 of Text 1)**

**Distributed Multimedia Systems:** Introduction, main Features of a DMS, Resource management of DMS, Networking, Multime diaoperating systems. **(Chap. 4 - Sections 4.1 to 4.5 of Text 2)**

**Module -4**

**Audio and video compression:** Introduction, Audio compression, video compression, video compression principles, video compression.**(Chap. 4 of Text 1)**

**Module -5**

**Multimedia Information Networks:** Introduction, LANs, Ethernet, Token ring, Bridges, FDDIHigh-speed LANs, LAN protocol**(Chap. 8 of Text 1).**

**The Internet:** Introduction, IP Datagrams, Fragmentation, IP Address, ARP and RARP, QoS Support, IPv8.**(Chap. 9 of Text 1)**

**Course Outcomes:** After studying this course, students will be able to:

- Understand basics of different multimedia networks and applications.
- Understand different compression techniques to compress audio and video.
- Describe multimedia Communication across Networks.
- Analyse different media types to represent them in digital form.
- Compress different types of text and images using different compression techniques.

**Question paper pattern:**

- Examination will be conducted for 100 marks with question paper containing 10 full questions, each of 20 marks.
- Each full question can have a maximum of 4 sub questions.
- There will be 2 full questions from each module covering all the topics of the module.
- Students will have to answer 5 full questions, selecting one full question from each module.
- The total marks will be proportionally reduced to 60 marks as SEE marks is 60.

**Text Books:**

1. Multimedia Communications- Fred Halsall, Pearson Education, 2001, ISBN -9788131709948.
2. Multimedia Communication Systems- K. R. Rao, Zoran S. Bojkovic, Dragorad A. Milovanovic, Pearson Education, 2004. ISBN -9788120321458.

**Reference Book:**

Multimedia: Computing, Communications and Applications-Raifsteinmetz, Klara Nahrstedt, Pearson Education, 2002. ISBN-978817758

**B. E. ECE/ETC**  
**Choice Based Credit System (CBCS) and Outcome Based Education (OBE)**  
**SEMESTER – VII**

**CRYPTOGRAPHY**

Course Code	<b>18EC744</b>	CIE Marks	40
Number of Lecture Hours/Week	03	Exam Marks	60
CREDITS	03	Exam Hours	03

**Course Learning Objectives:** This course will enable students to:

- Understand the basics of symmetric key and public key cryptography.
- Explain classical cryptography algorithms.
- Acquire knowledge of mathematical concepts required for cryptography.
- Describe pseudo random sequence generation technique.
- Explain symmetric and asymmetric cryptography algorithms.

**Module -1**

**Classical Encryption Techniques:** Symmetric cipher model, Substitution techniques, Transposition techniques (Text 1: Chapter 1)

**Basic Concepts of Number Theory and Finite Fields:** Euclidean algorithm, Modular arithmetic (Text 1: Chapter 3)

**Module -2**

**SYMMETRIC CIPHERS:** Traditional Block Cipher structure, Data encryption standard (DES), The AES Cipher. (Text 1: Chapter 2: Section1, 2, Chapter 4:Section 2, 3, 4)

**Module -3**

**Basic Concepts of Number Theory and Finite Fields:** Groups, Rings and Fields, Finite fields of the form  $GF(p)$ , Prime Numbers, Fermat's and Euler's theorem, discrete logarithm. (Text 1: Chapter 3 and Chapter 7: Section 1, 2, 5)

**Module -4**

**ASYMMETRIC CIPHERS:** Principles of Public-Key Cryptosystems, The RS Aalgorithm, Diffie - Hellman Key Exchange, Elliptic Curve Arithmetic, Elliptic Curve Cryptography (Text 1: Chapter 8, Chapter 9: Section 1, 3, 4)

**Module -5**

**Pseudo-Random-Sequence Generators and Stream Ciphers:**

Linear Congruential Generators, Linear Feedback Shift Registers, Design and analysis of stream ciphers, Stream ciphers using LFSRs, A5, Hughes XPD/KPD, Nanoteq, Rambutan, Additive generators, Gifford, Algorithm M,PKZIP (Text 2: Chapter 16)

**Course Outcomes:** After studying this course, students will be able to:

- Use basic cryptographic algorithms to encrypt the data.
- Generate some pseudorandom numbers required for cryptographic applications.
- Provide authentication and protection for encrypted data.

**Question paper pattern:**

- Examination will be conducted for 100 marks with question paper containing 10 full questions, each of 20 marks.
- Each full question can have a maximum of 4 sub questions.
- There will be 2 full questions from each module covering all the topics of the module.
- Students will have to answer 5 full questions, selecting one full question from each module.
- The total marks will be proportionally reduced to 60 marks as SEE marks is 60.

**Text Books:**

1. William Stallings , “Cryptography and Network Security Principles andPractice”, Pearson Education Inc., 6th Edition, 2014, ISBN: 978-93-325-1877-3
2. Bruce Schneier, “Applied Cryptography Protocols, Algorithms, andSource code in C”, Wiley Publications, 2nd Edition, ISBN: 9971-51-348-X

**Reference Books:**

1. Cryptography and Network Security, Behrouz A. Forouzan, TMH, 2007.
2. Cryptography and Network Security, AtulKahate, TMH, 2003.

**B. E. ECE/ETC**  
**Choice Based Credit System (CBCS) and Outcome Based Education (OBE)**  
**SEMESTER – VII**

**MACHINE LEARNING**

Course Code	<b>18EC745</b>	CIE Marks	40
Number of Lecture Hours/Week (L:T:P)	03	Exam Marks	60
CREDITS	03	Exam Hours	03

**Course Learning Objectives:** This course will enable students to:

- Acquire some concepts and techniques that are core to Machine Learning.
- Understand learning and decision trees.
- Acquire knowledge of neural networks, Bayesian techniques and instant based learning.
- Understand analytical learning and reinforced learning.

**Module -1**

**Learning:** Designing Learning systems, Perspectives and Issues, Concept Learning, Version Spaces and Candidate Elimination Algorithm, Inductive bias.

**Module -2**

**Decision Tree and ANN:** Decision Tree Representation, Hypothesis Space Search, Inductive bias in decision tree, issues in Decision tree. Neural Network Representation, Perceptrons, Multilayer Networks and Back Propagation Algorithms.

**Module -3**

**Bayesian and Computational Learning:** Bayes Theorem, Bayes Theorem Concept Learning, Maximum Likelihood, Minimum Description Length Principle, Bayes Optimal Classifier, Gibbs Algorithm, Naïve Bayes Classifier.

**Module -4**

**Instant Based Learning and Learning set of rules:** K- Nearest Neighbour Learning, Locally Weighted Regression, Radial Basis Functions, Case-Based Reasoning. Sequential Covering Algorithms, Learning Rule Sets, Learning First Order Rules, Learning Sets of First Order Rules.

**Module -5**

**Analytical Learning and Reinforced Learning:** Perfect Domain Theories, Explanation Based Learning Inductive-Analytical Approaches, FOCL Algorithm, Reinforcement Learning.

**Course Outcomes:** At the end of the course, students should be able to:

- Understand the core concepts of Machine learning.
- Appreciate the underlying mathematical relationships within and across Machine Learning algorithms.
- Explain paradigms of supervised and un-supervised learning.
- Recognize a real world problem and apply the learned techniques of Machine Learning to solve the problem.

**Question paper pattern:**

- Examination will be conducted for 100 marks with question paper containing 10 full questions, each of 20 marks.
- Each full question can have a maximum of 4 sub questions.
- There will be 2 full questions from each module covering all the topics of the module.
- Students will have to answer 5 full questions, selecting one full question from each module.

**Text Book:**

**Machine Learning-**Tom M. Mitchell, McGraw-Hill Education, (Indian Edition), 2013.

**Reference Books:**

1. **Introduction to Machine Learning-** Ethem Alpaydin, 2nd Ed., PHI Learning Pvt. Ltd., 2013.
2. **The Elements of Statistical Learning-**T. Hastie, R. Tibshirani, J. H. Friedman, Springer; 1st edition, 2001.

**COMMUNICATION THEORY**  
**VII SEMESTER – Open Elective-B**  
**[As per Choice Based Credit System (CBCS) scheme]**

Course Code	<b>18EC751</b>	CIE Marks	40
Number of Lecture Hours/Week (L:T:P)	03	SEE Marks	60
CREDITS	03	Exam Hours	03

**Course objectives:** This course will enable students to:

- Describe essential elements of an electronic communications.
- Understand Amplitude, Frequency & Phase modulations, and Amplitude demodulation.
- Explain the basics of sampling and quantization.
- Understand the various digital modulation schemes.
- The concepts of wireless communication.

**Module -1**

**Introduction to Electronic Communications:** Historical perspective, Electromagnetic frequency spectrum, signal and its representation, Elements of electronic communications system, primary communication resources, signal transmission concepts, Analog and digital transmission, Modulation, Concept of frequency translation, Signal radiation and propagation (**TEXT 1: 1.1 to 1.10**)

**Module -2**

**Noise:** Classification and source of noise (**TEXT1:3.1**)

**Amplitude Modulation Techniques:** Types of analog modulation, Principle of amplitude modulation, AM power distribution, Limitations of AM, (**TEXT 1: 4.1,4.2, 4.4, 4.6**)

**Angle Modulation Techniques:** Principles of Angle modulation, Theory of FM-basic Concepts, Theory of phase modulation (**TEXT1: 5.1,5.2, 5.5**)

**Analog Transmission and Reception:** AM Radio transmitters, AM Radio Receivers (**TEXT1:6.1,6.2**)

**Module -3**

**Sampling Theorem and pulse Modulation Techniques:** Digital Versus analog Transmissions, Sampling Theorem, Classification of pulse modulation techniques, PAM, PWM, PPM, PCM, Quantization of signals (**TEXT 1: 7.1 to 7.8**)

**Module -4**

**Digital Modulation Techniques:** Types of digital Modulation, ASK,FSK,PSK,QPSK (**TEXT 1: 9.1 to 9.5**)

**Source and Channel Coding:** Objective of source coding, source coding technique, Shannon's source coding theorem, need of channel coding, Channel coding theorem, error control and coding (**TEXT 1: 11.1 to 11.3, 11.8, 11.9,11.12**)

**Module -5**

**Evolution of wireless communication systems:** Brief History of wireless communications, Advantages of wireless communication, disadvantages of wireless communications, wireless network generations, Comparison of wireless systems, Evolution of next-generation networks, Applications of wireless communication(**TEXT 2: 1.1 to 1.7**)

**Principles of Cellular Communications:** Cellular terminology, Cell structure and Cluster, Frequency reuse concept, Cluster size and system capacity, Method of locating cochannel cells, Frequency reuse distance(**TEXT 2: 4.1 to 4.7**)

**Course Outcomes:** At the end of the course, students will be able:

- Describe operation of communication systems.
- Understand the techniques of Amplitude and Angle modulation.
- Understand the concept of sampling and quantization.
- Understand the concepts of different digital modulation techniques.
- Describe the principles of wireless communications system.

**Question paper pattern:**

- Examination will be conducted for 100 marks with question paper containing 10 full questions, each of 20 marks.
- Each full question can have a maximum of 4 sub questions.
- There will be 2 full questions from each module covering all the topics of the module.
- Students will have to answer 5 full questions, selecting one full question from each module.

**Text Books:**

1. Analog and Digital Communications by T L Singal, McGraw Hill Education (India) Private Limited.
2. Wireless Communications by T L Singal, McGraw Hill Education (India) Private Limited.

**Reference Books:**

1. **Modern digital and analog Communication systems** B. P. Lathi, Oxford University Press., 4th ed, 2010,
2. **Communication Systems:** Analog and Digital, R.P.Singh and S.Sapre: TMH 2nd edition, 2007
3. **Introduction to wireless telecommunications systems and networks** by Gray J Mullett, Cengage learning.



**B. E. ECE/ETC**  
**Choice Based Credit System (CBCS) and Outcome Based Education (OBE)**  
**SEMESTER – VII**

**NEURAL NETWORKS**

Course Code	<b>18EC752</b>	CIE Marks	40
Number of Lecture Hours/Week (L:T:P)	03	Exam Marks	60
CREDITS	03	Exam Hours	03

**Course Learning Objectives:** This course will enable students to:

- Understand the basics of ANN and comparison with Human brain.
- Acquire knowledge on Generalization and function approximation of various ANN architectures.
- Understand reinforcement learning using neural networks
- Acquire knowledge of unsupervised learning using neural networks.

**Module -1**

**Introduction:** Biological Neuron – Artificial Neural Model -Types of activation functions – **Architecture:** Feed forward and Feedback, Convex Sets, Convex Hull and Linear Separability, Non-Linear Separable Problem. XOR Problem, Multilayer Networks.

**Learning:** Learning Algorithms, Error correction and Gradient Descent Rules, Learning objective of TLNs, Perceptron Learning Algorithm, Perceptron Convergence Theorem.

**Module -2**

**Supervised Learning:** Perceptron learning and Non Separable sets,  $\alpha$ -Least Mean Square Learning, MSE Error surface, Steepest Descent Search,  $\mu$ -LMS approximate to gradient descent, Application of LMS to Noise Cancelling, Multi-layered Network Architecture, Backpropagation Learning Algorithm, Practical consideration of BP algorithm.

**Module -3**

**Support Vector Machines and Radial Basis Function:**

Learning from Examples, Statistical Learning Theory, Support Vector Machines, SVM application to Image Classification, Radial Basis Function Regularization theory, Generalized RBF Networks, Learning in RBFNs, RBF application to face recognition.

**Module -4**

**Attractor Neural Networks:** Associative Learning Attractor Associative Memory, Linear Associative memory, Hopfield Network, application of Hopfield Network, Brain State in a Box neural Network, Simulated Annealing, Boltzmann Machine, Bidirectional Associative Memory.

**Module -5**

**Self -organization Feature Map:** Maximal Eigenvector Filtering, Extracting Principal Components, Generalized Learning Laws, Vector Quantization, Self -organization Feature Maps, Application of SOM, Growing Neural Gas.

**Course Outcomes:** At the end of the course, students should be able to:

- Understand the role of neural networks in engineering, artificial intelligence, and cognitive modeling.
- Understand the concepts and techniques of neural networks through the study of the most important neural network models.
- Evaluate whether neural networks are appropriate to a particular application.
- Apply neural networks to particular application, and to know what steps to take to improve performance.

**Question paper pattern:**

- Examination will be conducted for 100 marks with question paper containing 10 full questions, each of 20 marks.
- Each full question can have a maximum of 4 sub questions.
- There will be 2 full questions from each module covering all the topics of the module.

- Students will have to answer 5 full questions, selecting one full question from each module.

**Text Book:**

**Neural Networks A Classroom Approach** –Satish Kumar, McGraw Hill Education (India) Pvt. Ltd,  
Second Edition.

**Reference Books:**

- **Introduction to Artificial Neural Systems** - J.M. Zurada, Jaico Publications 1994.
- **Artificial Neural Networks-** B. Yegnanarayana, PHI, New Delhi 1998.

**B. E. ELECTRONICS AND TELECOMMUNICATION ENGINEERING  
Choice Based Credit System (CBCS) and Outcome Based Education (OBE)  
SEMESTER – VII**

**WIRELESS COMMUNICATION LAB**

Laboratory Code	<b>18TEL76</b>	CIE Marks	40
Number of Lecture Hours/Week (L:T:P)	02 Hour Tutorial (Instructions) + 02 Hours Laboratory	SEE Marks	60
CREDITS	0	Exam Hours	03

**Note:** Conduct the following experiments to implement the indicated communication processes by simulation using MATLAB or any equivalent tool.

**Laboratory Experiments:**

1. Develop a code to compute the Path loss, Link Budget and sketch relevant plot.
2. Develop a code to represent the different channel models for wireless networks.
3. Analysis of cellular concepts like cell-sectoring, splitting (using Qualnet/NS3/ any other tool).
4. To consider 2 to 4 message signals, and obtain the Time-Division-Multiplexed waveform and then perform de-multiplexing and get back the original message signals (represent the signal in time domain and frequency domain at various stages).
5. Consider 24 message signals, and obtain the T1 Carrier bit stream. (represent the signal in time domain and frequency domain at various stages).
6. Consider the irreducible polynomial of order N (3 or 4), and obtain the  $2^N-1$  Codes, for the CDMA system. Build the Spread Spectrum modulation using any one of the valid codes.
7. To verify the correlation properties of the codes developed for the CDMA.
8. To build the BPSK-OFDM modulated waveform for binary input data stream, and recover the message signals from the modulated waveform.
9. To build the QPSK-OFDM modulated waveform for binary input data stream, and recover the message signals from the modulated waveform.
10. To build the GMSK modulated waveform for binary input data stream, and recover the message signals from the modulated waveform.

**Conduct of Practical Examination:**

- All Laboratory Experiments are to be included for Practical Examination.
- Strictly follow the instructions as printed on the cover page of answer script for breakup of marks.
- Change of Experiment is allowed only once and the Marks allotted for the Procedure part to be made zero.

**B. E. ELECTRONICS AND TELECOMMUNICATION ENGINEERING  
Choice Based Credit System (CBCS) and Outcome Based Education (OBE)  
SEMESTER – VII**

**MICROWAVE and ANTENNAS LAB**

Laboratory Code	<b>18TEL77</b>	CIE Marks	40
Number of Lecture Hours/Week (L:T:P)	02 Hr Tutorial (Instructions) + 02 Hours Laboratory	SEE Marks	60
CREDITS	02	Exam Hours	03

**Course Learning Objectives:** This Laboratory course will enable the students to:

- Understand the Mode Characteristics of Reflex Klystron Oscillator.
- Study the Performance and Extract S-parameters of various Microwave components.
- Study the Radiation Pattern and Find the Field Intensity, Polarization of a given Antenna/ Array.
- Measure Impedance of a given Microwave Component.
- Understand the analyses of Three Point method of obtaining equivalent Circuit Parameters & Dielectric Strength.
- Appraise the proof of Reciprocity Theorem as applied to Antennas.

**Laboratory Experiments**

1. Study of Reflex Klystron Oscillator Mode Characteristics.
2. Three point method of obtaining equivalent Circuit Parameters.
3. Measurement of Impedance using slotted Line Assembly.
4. Measurement of Dielectric Strength.
5. Study of Circulator/Isolator. Extraction of S-Parameters.
6. Study of Directional coupler. Extraction of S-Parameters.
7. Study of E-plane, H-plane & Magic Tee. Extraction of S-Parameters.
8. Application of Magic Tee as E-H tuner for Impedance matching.
9. Field Intensity Measurement of a Horn Antenna.
10. Field Intensity Measurement of a Parabolic Dish Antenna.
11. Prove Reciprocity Theorem of an Antenna.
12. Measure of Co-Polarization and Cross Polarization of an Antenna.
13. Plot Radiation Pattern of an Antenna Array.
14. Impedance measurement of an Antenna

**Course Outcomes:** At the end of the course, the students will be able to:

- Explain the Mode Characteristics of Reflex Klystron Oscillator.
- Demonstrate the performance and extract S-Parameters of various Microwave Components.
- Plot the Radiation Pattern and find the field Intensity, Polarization of a given Antenna/ Array.
- Analyze and Measure Impedance of a given Microwave Component.
- Explain and Find Three Point method of obtaining equivalent Circuit Parameters & Dielectric Strength.
- Prove Reciprocity Theorem as applied to Antennas.

**Conduct of Practical Examination:**

- All Laboratory Experiments are to be included for Practical Examination.
- Students are allowed to pick one Experiment from the lot.
- Change of Experiment is allowed only once and Marks allotted to the Procedure part to be made zero.

## B.E 2018 Eighth Semester Syllabus

B. E. ELECTRONICS AND TELECOMMUNICATION ENGINEERING Choice Based Credit System (CBCS) and Outcome Based Education (OBE) SEMESTER – VIII			
ADVANCED CELLULAR COMMUNICATION			
Course Code	18TE81	CIE Marks	40
Number of Lecture Hours/Week (L:T:P)	03	SEE Marks	60
CREDITS	03	Exam Hours	03
<p><b>Course Learning Objectives:</b> This course will enable students to:</p> <ul style="list-style-type: none"> <li>• Understand the basics of LTE standardization phases and specifications.</li> <li>• Explain the system architecture of LTE and E-UTRAN, the layer of LTE, based on the use of OFDMA and SC-FDMA principles.</li> <li>• Analyze the role of LTE radio interface protocols to set up, reconfigure and release the Radio Bearer, for transferring the EPS bearer.</li> <li>• Analyze the main factors affecting LTE performance including mobile speed and transmission bandwidth.</li> </ul>			
<b>Module – 1</b>			
<p><b>Key Enablers for LTE features:</b> OFDM, Single carrier FDMA, Single carrier FDE, Channel Dependent Multiuser Resource Scheduling, Multi antenna Techniques, IP based Flat network Architecture, LTE Network Architecture. (Sec 1.4- 1.5 of Text).</p> <p><b>Wireless Fundamentals:</b> Cellular concept, Broadband wireless channel (BWC), Fading in BWC, Modeling BWC – Empirical and Statistical models, Mitigation of Narrow band and Broadband Fading (Sec 2.2 – 2.7of Text).</p>			
<b>Module – 2</b>			
<p><b>Multicarrier Modulation:</b> OFDM basics, OFDM in LTE, Timing and Frequency Synchronization, PAR, SC-FDE (Sec 3.2 – 3.6 of Text).</p> <p><b>OFDMA and SC-FDMA:</b> OFDM with FDMA,TDMA, CDMA, OFDMA, SC-FDMA, OFDMA and SC-FDMA in LTE (Sec 4.1 – 4.3, 4.5 of Text).</p> <p><b>Multiple Antenna Transmission and Reception:</b> Spatial Diversity overview, Receive Diversity, Transmit Diversity, Interference cancellation and signal enhancement, Spatial Multiplexing, Choice between Diversity, Interference suppression and Spatial Multiplexing (Sec 5.1 – 5.6 of Text).</p>			
<b>Module – 3</b>			
<p><b>Overview and Channel Structure of LTE:</b> Introduction to LTE, Channel Structure of LTE, Downlink OFDMA Radio Resource, Uplink SC-FDMA Radio Resource (Sec 6.1 – 6.4 of Text).</p> <p><b>Downlink Transport Channel Processing:</b> Overview, Downlink shared channels, Downlink Control Channels, Broadcast channels, Multicast channels, Downlink physical channels, H-ARQ on Downlink (Sec 7.1 – 7.7 of Text).</p>			
<b>Module – 4</b>			
<p><b>Uplink Channel Transport Processing:</b> Overview, Uplink shared channels, Uplink Control Information, Uplink Reference signals, Random Access Channels, H-ARQ on uplink (Sec 8.1 – 8.6 of Text).</p> <p><b>Physical Layer Procedures:</b> Hybrid – ARQ procedures, Channel Quality Indicator CQI feedback, Precoder for closed loop MIMO Operations, Uplink channel sounding, Buffer status Reporting in uplink, Scheduling and Resource Allocation, Cell Search, Random Access Procedures, Power Control in uplink(Sec 9.1- 9.6, 9.8, 9.9, 9.10 Text).</p>			
<b>Module – 5</b>			
<p><b>Radio Resource Management and Mobility Management:</b> PDCP overview, MAC/RLC overview, RRC overview, Mobility Management (Sec 10.1 – 10.4 of Text). <b>L1, L2</b></p>			

**Course Outcomes:** At the end of the course, students will be able to:

- Understand the system architecture and the functional standard specified in LTE 4G.
- Analyze the role of LTE radio interface protocols and EPS Data convergence protocols to set up, reconfigure and release data and voice from users.
- Demonstrate the UTRAN and EPS handling processes from set up to release including mobility management for a variety of data call scenarios.
- Test and Evaluate the Performance of resource management and packet data processing and transport algorithms.

**Question paper pattern:**

- Examination will be conducted for 100 marks with question paper containing 10 full questions, each of 20 marks.
- Each full question can have a maximum of 4 sub questions.
- There will be 2 full questions from each module covering all the topics of the module.
- Students will have to answer 5 full questions, selecting one full question from each module.

**Text Book:**

Arunabha Ghosh, Jan Zhang, Jefferey Andrews, Riaz Mohammed, 'Fundamentals of LTE', Prentice Hall, Communications Engg. and Emerging Technologies.

**Reference Books:**

1. 'LTE for UMTS Evolution to LTE-Advanced' HarriHolma and AnttiToskala, Second Edition - 2011, John Wiley & Sons, Ltd. Print ISBN: 9780470660003.
2. 'EVOLVED PACKET SYSTEM (EPS) ; THE LTE AND SAE EVOLUTION OF 3G UMTS' by Pierre Lescuyer and Thierry Lucidarme, 2008, John Wiley & Sons, Ltd. Print ISBN:978-0-470-05976-0.
3. 'LTE – The UMTS Long Term Evolution ; From Theory to Practice' by Stefania Sesia, Issam Toufik, and Matthew Baker, 2009 John Wiley & Sons Ltd, ISBN 978-0-470-69716-0.

**B. E. ECE/ETC**  
**Choice Based Credit System (CBCS) and Outcome Based Education (OBE)**  
**SEMESTER – VIII**

**NETWORK SECURITY**

Subject Code	<b>18EC821</b>	CIE Marks	40
Number of Lecture Hours/Week	03	Exam Marks	60
CREDITS	03	Exam Hours	03

**Course Learning Objectives:** This course will enable students to:

- Describe network security services and mechanisms.
- Know about Transport Level Security and Secure Socket Layer
- Know about Security concerns in Internet Protocol security
- Discuss about Intruders, Intrusion detection and Malicious Software
- Discuss about Firewalls, Firewall characteristics, Biasing and Configuration

**Module -1**

Attacks on Computers and Computer Security: Need for Security, Security Approaches, Principles of Security Types of Attacks. (Chapter1 of Text2)

**Module -2**

Transport Level Security: Web Security Considerations, Secure Sockets Layer, Transport Layer Security, HTTPS, Secure Shell (SSH)(Chapter15 of Text 1).

**Module -3**

IP Security: Overview of IP Security (IPSec),IP Security Architecture, Modes of Operation, Security Associations (SA), Authentication Header (AH), Encapsulating Security Payload (ESP), Internet Key Exchange. (Chapter19of Text1)

**Module -4**

Intruders, Intrusion Detection. (Chapter20of Text1)  
MALICIOUS SOFTWARE: Viruses and Related Threats, Virus Countermeasures, (Chapter21of Text1)

**Module -5**

Firewalls: The Need for firewalls, Firewall Characteristics, Types of Firewalls, Firewall Biasing, Firewall location and configuration (Chapter22of Text1)

**Course Outcomes:**

- Explain network security services and mechanisms and explain security concepts
- Understand the concept of Transport Level Security and Secure Socket Layer.
- Explain Security concerns in Internet Protocol security
- Explain Intruders, Intrusion detection and Malicious Software
- Explain Firewalls, Firewall Characteristics, Biasing and Configuration

**Question paper pattern:**

- Examination will be conducted for 100 marks with question paper containing 10 full questions, each of 20 marks.
- Each full question can have a maximum of 4 sub questions.
- There will be 2 full questions from each module covering all the topics of the module.
- Students will have to answer 5 full questions, selecting one full question from each module.

**TEXT BOOKS:**

- 1.Cryptography and Network Security Principles and Practicel, Pearson EducationInc., William Stallings, 5th Edition, 2014, ISBN: 978-81-317- 6166-3.
- 2.Cryptography and Network Security, Atul Kahate, TMH, 2003.

**REFERENCE BOOK:**

- Cryptography and Network Security, Behrouz A. Forouzan, TMH, 2007.

**B. E. ECE/ETC**  
**Choice Based Credit System (CBCS) and Outcome Based Education (OBE)**  
**SEMESTER – VIII**

**MICRO ELECTROMECHANICAL SYSTEMS**

Course Code	<b>18EC822</b>	CIE Marks	40
Number of Lecture Hours/Week	03	SEE Marks	60
CREDITS	03	Exam Hours	03

**Course Learning Objectives:** This course will enable students to:

- Understand overview of micro systems, their fabrication and application areas.
- Working principles of several MEMS devices.
- Develop mathematical and analytical models of MEMS devices.
- Know methods to fabricate MEMS devices.
- Various application areas where MEMS devices can be used.

**Module 1**

**Overview of MEMS and Microsystems :**MEMS and Microsystem, Typical MEMS and Microsystems Products, Evolution of Microfabrication, Microsystems and Microelectronics, Multidisciplinary Nature of Microsystems, Miniaturization. Applications and Markets.

**Module 2**

**Working Principles of Microsystems:** Introduction, Microsensors, Microactuation, MEMS with Microactuators, Microaccelerometers, Microfluidics.

**Engineering Science for Microsystems Design and Fabrication:** Introduction, Molecular Theory of Matter and Inter-molecular Forces, Plasma Physics, Electrochemistry.

**Module 3**

**Engineering Mechanics for Microsystems Design:** Introduction, Static Bending of Thin Plates, Mechanical Vibration, Thermomechanics, Fracture Mechanics, Thin Film Mechanics, Overview on Finite Element Stress Analysis.

**Module 4**

**Scaling Laws in Miniaturization:** Introduction, Scaling in Geometry, Scaling in Rigid-Body Dynamics, Scaling in Electrostatic Forces, Scaling in Fluid Mechanics, Scaling in Heat Transfer.

**Module 5**

**Overview of Micro manufacturing:** Introduction, Bulk Micro manufacturing, Surface Micromachining, The LIGA Process, Summary on Micro manufacturing.

**Course Outcomes:** After studying this course, students will be able to:

- Appreciate the technologies related to Micro Electro Mechanical Systems.
- Understand design and fabrication processes involved with MEMS devices.
- Analyze the MEMS devices and develop suitable mathematical models
- Know various application areas for MEMS device

**Question paper pattern:**

- Examination will be conducted for 100 marks with question paper containing 10 full questions, each of 20 marks.
- Each full question can have a maximum of 4 sub questions.
- There will be 2 full questions from each module covering all the topics of the module.
- Students will have to answer 5 full questions, selecting one full question from each module.

**Text Book:**

Tai-Ran Hsu, MEMS and Micro systems: Design, Manufacture and Nanoscale Engineering, 2<sup>nd</sup> Ed, Wiley.



**Reference Books:**

1. Hans H. Gatzert, Volker Saile, JurgLeuthold, Micro and NanoFabrication: Tools and Processes, Springer, 2015.
2. Dilip Kumar Bhattacharya, Brajesh Kumar Kaushik, Microelectromechanical Systems (MEMS), Cenage Learning.

**B. E. ECE/ETC**  
**Choice Based Credit System (CBCS) and Outcome Based Education (OBE)**  
**SEMESTER – VIII**

**RADAR ENGINEERING**

Course Code	<b>18EC823</b>	CIE Marks	40
Number of Lecture Hours/Week	03	SEE Marks	60
CREDITS	03	Exam Hours	03

**Course Learning Objectives:** This course will enable students to:

- Understand the Radar fundamentals and analyze the radar signals.
- Understand various technologies involved in the design of radar transmitters and receivers.
- Learn various radars like MTI, Doppler and tracking radars and their comparison

**Module-1**

**Basics of Radar:** Introduction, Maximum Unambiguous Range, Radar Waveforms, Definitions with respect to pulse wave form-PRF, PRI, Duty Cycle, Peak Transmitter Power, Average transmitter Power. Simple form of the Radar Equation, Radar Block Diagram and Operation, Radar Frequencies, Applications of Radar, The Origins of Radar, Illustrative Problems. (Chapter 1 of Text)

**Module-2**

**The Radar Equation:** Prediction of Range Performance, Detection of signal in Noise, Minimum Detectable Signal, Receiver Noise, SNR, Modified Radar Range Equation, Envelope Detector — False Alarm Time and Probability, Probability of Detection, Radar Cross Section of Targets: simple targets – sphere, cone-sphere, Transmitter Power, PRF and Range Ambiguities, System Losses (qualitative treatment), Illustrative Problems. (Chapter 2 of Text, Except 2.4, 2.6, 2.8 & 2.11)

**Module-3**

**MTI and Pulse Doppler Radar:** Introduction, Principle, Doppler Frequency Shift, Simple CW Radar, Sweep to Sweep subtraction and Delay Line Canceler, MTI Radar with– Power Amplifier Transmitter, Delay Line Cancelers— Frequency Response of Single Delay- Line Canceler, Blind Speeds, Clutter Attenuation, MTI Improvement Factor, N- Pulse Delay-Line Canceler, Digital MTI Processing–Blind phases, I and Q Channels, Digital MTI Doppler signal processor, Moving Target Detector- Original MTD. (Chapter 3: 3.1, 3.2, 3.5, 3.6 of Text)

**Module-4**

**Tracking Radar:**

Tracking with Radar- Types of Tracking Radar Systems, Monopulse Tracking- Amplitude Comparison Monopulse (one-and two-coordinates), Phase Comparison Monopulse. Sequential Lobing, Conical Scan Tracking, Block Diagram of Conical Scan Tracking Radar, Tracking in Range, Comparison of Trackers. (Chapter 4: 4.1, 4.2, 4.3 of Text)

**Module-5**

**The Radar Antenna:** Functions of The Radar Antenna, Antenna Parameters, Reflector Antennas and Electronically Steered Phased array Antennas. (Chapter 9: 9.1, 9.2, 9.4, 9.5 of Text)

**Radar Receiver:** The Radar Receiver, Receiver Noise Figure, Super Heterodyne Receiver, Duplexers and Receivers Protectors, Radar Displays. (Chapter 11 of Text)

**Course Outcomes:** At the end of the course, students will be able to:

- Understand the radar fundamentals and radar signals.
- Explain the working principle of pulse Doppler radars, their applications and limitations
- Describe the working of various radar transmitters and receivers.
- Analyze the range parameters of pulse radar system which affect the system performance.

**Text Book:**

Introduction to Radar Systems- Merrill I Skolnik, 3e, TMH, 2001.

**Reference Books:**

1. Radar Principles, Technology, Applications—Byron Edde, Pearson Education, 2004.
2. Radar Principles—Peebles, Jr, P.Z. Wiley. New York, 1998.
3. Principles of Modern Radar: Basic Principles—Mark A. Richards, James A. Scheer, William A. Holm. Yesdee, 2013

**B. E. ELECTRONICS AND TELECOMMUNICATION ENGINEERING**  
**Choice Based Credit System (CBCS) and Outcome Based Education (OBE)**  
**SEMESTER – VIII**

**NETWORK MANAGEMENT**

Subject Code	<b>18TE824</b>	CII Marks	40
Number of Lecture	03	SEE Marks	60
CREDITS	03	Exam Hours	03

**Course Learning Objectives:** This course will enable students to:

- Understand the basic concept of network management
- Analyse the working of SNMP protocol and its functions
- Understand the concepts of telecommunication networks and its applications
- Understand the working of telecom regulatory bodies

**Module-1**

**Introduction:** Analogy of Telephone Network Management, Data and Telecommunication Network, Distributed computing Environments, TCP/IP Based Networks: The Internet and Intranets, Communication Protocols and Standards, Networks, Systems and services, Case Histories of Networking and Management, Challenges of IT Managers, Network Management: Goals, Organization, and Functions, Network Management Architecture and Organization.

**Review of information Network and Technology:** Network Topology, Local Area Networks, Network Node Components, Wide Area Networks, Transmission Technology. (refer Text 1)

**Module-2**

**SNMP and Network Management:** Basic Foundations: Standards, Models and Language: Network Management standards, Network Management Models, Organization model, information model, Communication model, Abstract syntax Notation One ASN.1, Encoding structure, Macros, Functional Model. (refer Text 1)

**Module-3**

**SNMP Management – RMON:** Remote Monitoring, RMON SMI and MIB, RMON1, RMON2, ATM Remote Monitoring, A Case Study of Internet Traffic Using RMON. (refer Text 1)

**Module-4**

**Telecommunication Management Network (TMN):** Why TMN, operations systems, TMN conceptual model, TMN standards, TMN architecture, TMN Management service architecture, An integrated View of TMN, Implementation issues.

**Network Management Applications:** Configuration Management, Fault Management, Performance management, Event Correlation Techniques (refer Text1)

**Module-5**

**Regulatory bodies:** Telecom Regulations-Telecom Evolution, Role of regulatory bodies-The Indian Perspective, TRAI Regulation 2002, The telecommunication Interconnection usage charges regulation, Access to Information Regulations on QoS for VOIP based ILD service, Broadcasting and cable services. Interconnection, DTH services, Mobile number regulations. (refer Text 2&3)

**Course Outcomes:** At the end of the course, students will be able to:

- Ability to define, understand and explain concepts related to network Management and role of regulatory bodies for telecommunication networks
- Ability to apply the knowledge of computer network and communication to telecommunication management applications
- Ability to analyse the different parameters for management protocol

**Question paper pattern:**

- Examination will be conducted for 100 marks with question paper containing 10 full questions, each of 20 marks.
- Each full question can have a maximum of 4 sub questions.
- There will be 2 full questions from each module covering all the topics of the module.
- Students will have to answer 5 full questions, selecting one full question from each module.
- The total marks will be proportionally reduced to 60 marks as SEE marks is 60

**Text Books:**

1. Mani Subramanian: Network Management- Principles and Practice, 2nd Edition, Pearson Education, 2010.
2. Telecommunication Regulations by John Buckley, IET.
3. TheTelecomRegulatoryAuthorityofIndiaAct,1997,GeorgThiemeVerlag

**Reference Books:**

1. J.Richard Burke: Network management Concepts and Practices: a Hands- On Approach, PHI,2008.
2. Jianguo Ding: Advances in Network Management, Auerbach Publication, 2009, ISBN-10: 1420064525, ISBN-13:978-1420064520.
3. Telecommunication: New Signposts to Old Roads, PaulSlaa
4. Telecom Management in Emerging Economies: Evolutionary and Contemporary Perspectives, Murali Krishna Medudula, Mahim Sagar, Ravi Parkash Gandhi.

**B. E. ELECTRONICS AND TELECOMMUNICATION ENGINEERING**  
**Choice Based Credit System (CBCS) and Outcome Based Education (OBE)**  
**SEMESTER – VIII**

**SUSTAINABLE TELECOMMUNICATION NETWORKS**

Subject Code	<b>18TE825</b>	CII Marks	40
Number of Lecture	03	SEE Marks	60
CREDITS	03	Exam Hours	03

**Course Learning Objectives:** This course will enable students to:

- Understand the basic concept of Sustainability
- Analyse the principles of wireless networks
- Understand the concepts of radiation standards
- Understand the working of telecom regulatory bodies
- Identify the different models for telecommunication networks

**MODULE- I**

Sustainability: Need for transformation, understanding today's telecommunication industry, business and sustainability, sustainability factors, green products, drivers of sustainability.

**MODULE-II**

**Energy Efficiency and Management in Wireless Networks:** Peer-to-Peer content sharing techniques for Energy Efficiency in Wireless Networks , Foraging-Inspired Radio-Communication Energy Management for Green Multi-Radio Networks, Intelligent Future Wireless Networks for Energy Efficiency, The telecom commercial communication, Internet of Things and data analytics in the cloud-sustainability, communication networks in IOT applications, Digital services and sustainable solutions, bandwidth management, energy management.

**MODULE-III**

**Regulatory bodies:** Telecom Regulations- Telecom Evolution, Role of regulatory bodies-The Indian Perspective, TRAI Regulation 2002, The telecommunication Interconnection usage charges regulation , Access to Information Regulations on QoS for VOIP based ILD service, Broadcasting and cable services Interconnection, DTH services, Mobile number regulations

**MODULE- IV**

**Radiation standards:** Regulation of cellular service and RF radiation safety levels, SAR for cell phones, RFID standards, Wireless devices, ICNIRP, IEEE, CENELEC standards for controlled and occupational and military environments, Myths and Realities.

**MODULE – V**

**Revenue models through Telecommunication Networks:** Constant Revenue Model for Telecommunication Networks, .Business Model Requirements and Challenges in the Mobile Telecommunication Sector, A Novel Dynamic Pricing Model for the Telecommunications Industry.

**Course Outcomes:** At the end of the course, students will be able to:

- Understand and explain the need for sustainability, role of regulatory bodies, radiation hazards and revenue models for telecommunication network.
- Apply the knowledge of radiation hazards to minimize the effect on human health and environment.
- Apply the Knowledge of finance management to arrive at effective revenue models for telecommunication networks.
- Engage in independent learning, submit a report and use ICT for effective presentation on the study on topics related to, Awareness on Mobile Tower Radiation & Its Impacts On Environment, human health and protection from radiation hazards.

**Question paper pattern:**

- Examination will be conducted for 100 marks with question paper containing 10 full questions, each of 20 marks.
- Each full question can have a maximum of 4 sub questions.
- There will be 2 full questions from each module covering all the topics of the module.
- Students will have to answer 5 full questions, selecting one full question from each module.
- The total marks will be proportionally reduced to 60 marks as SEE marks is 60.

**TEXT BOOKS:**

1. The Telecommunications Handbook, Kornel Terplan, Patricia A. Morreale, CRC Press.
2. The Telecom Regulatory Authority of India Act, 1997, Georg Thieme Verlag.
3. Telecommunication: New Signposts to Old Roads, Paul Slaa.
4. Telecom Management in Emerging Economies: Evolutionary and Contemporary Perspectives, Murali Krishna Medudula, Mahim Sagar, Ravi Parkash Gandhi.

**REFERENCE BOOKS:**

1. Green Networking and Communications: ICT for Sustainability, Shafiullah Khan, Jaime Lloret Mauri.
2. Internet of Things and Data Analytics Handbook, Hwaiyu Geng, John Wiley & Sons.