



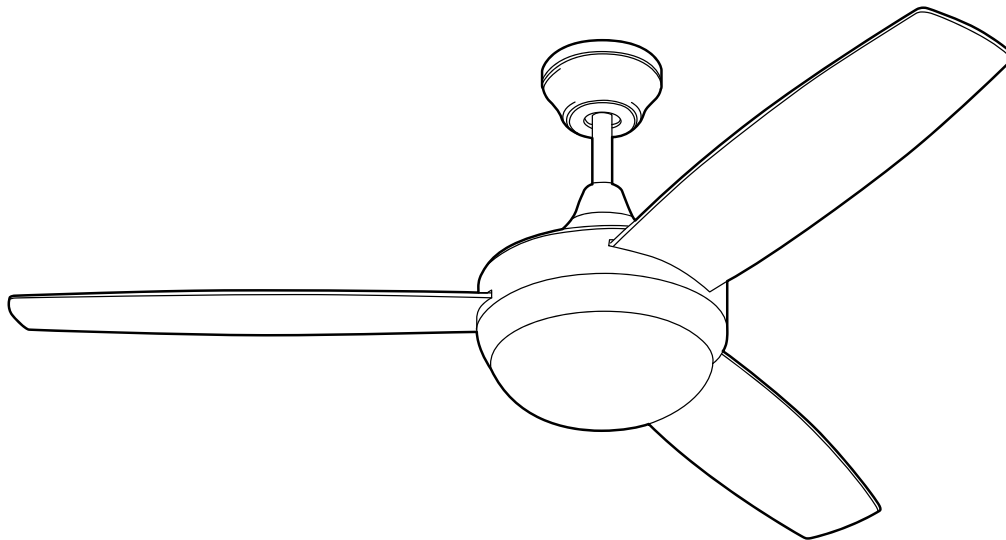
ITEM #0803772

# BEACH CREEK LED CEILING FAN

MODEL #TG44BNK3D1RC

Harbor Breeze® is a registered trademark of LF, LLC. All Rights Reserved.

Español p. 20



### ATTACH YOUR RECEIPT HERE

Serial Number \_\_\_\_\_ Purchase Date \_\_\_\_\_



**Questions, problems, missing parts?** Before returning to your retailer, call our customer service department at **1-800-643-0067**, 8 a.m. - 6 p.m., EST, Monday - Thursday, 8 a.m. - 5 p.m., EST, Friday.

## TABLE OF CONTENTS

---

Safety Information .....	2
Package Contents .....	4
Hardware Contents .....	5
Preparation .....	5
Initial Installation .....	5
Downrod-Style Fan Mounting .....	8
Closemount-Style Fan Mounting .....	10
Wiring .....	12
Final Installation .....	14
Operating Instructions .....	15
Care and Maintenance .....	17
Troubleshooting .....	18
Limited Lifetime Warranty .....	19
Replacement Parts List .....	19



## SAFETY INFORMATION

---

### READ AND SAVE THESE INSTRUCTIONS

- Do not discard fan carton or foam inserts. Should this fan need to be returned to the factory for repairs, it must be shipped in its original packaging to ensure proper protection against damage that might exceed the initial cause for return.
- Make sure all electrical connections comply with local codes, ordinances, the National Electrical Code and ANSI/NFPA 70-1999. Hire a qualified electrician or consult a do-it-yourself wiring handbook if you are unfamiliar with installing electrical wiring.
- Make sure the installation site you choose allows a minimum clearance of 7 ft. from the blades to the floor and at least 30 in. from the end of the blades to any obstruction.
- After you install the fan, make sure all connections are secure to prevent the fan from falling.
- The net weight of this fan is: 14.74 lbs.



## SAFETY INFORMATION

### ⚠ WARNING



To reduce the risk of fire, electrical shock or personal injury, mount fan to outlet box marked "ACCEPTABLE FOR FAN SUPPORT OF 35 LBS. OR LESS" and use mounting screws provided with the outlet box. Most outlet boxes commonly used for the support of lighting fixtures are not acceptable for fan support and may need to be replaced. Consult a qualified electrician if in doubt.

When mounting fan to a ceiling outlet box, use a METAL octagonal outlet box; do NOT use a plastic outlet box. Secure the outlet box directly to the building structure. The outlet box and its support must be able to support the moving weight of the fan (at least 35 lbs.).

To avoid personal injury, the use of gloves may be necessary while handling fan parts with sharp edges.

To reduce the risk of fire, electrical shock or personal injury, wire connectors provided with this fan are designed to accept only one 12-gauge house wire and two lead wires from the fan. If your house wire is larger than 12-gauge or there is more than one house wire to connect to the corresponding fan lead wires, consult an electrician for the proper size wire connectors to use.

To reduce the risk of fire or electrical shock, do not use the fan with any solid state speed control device or control fan speed with a full range dimmer switch.

To reduce the risk of fire, electrical shock or personal injury, do not bend the blades when installing or balancing them, or cleaning the fan. Do not insert objects between the rotating fan blades.

To reduce the risk of personal injury, use *only* parts provided with this fan. The use of parts *OTHER* than those provided with this fan will void the warranty.

Before proceeding, be sure to shut off electricity at main switch or circuit breaker in order to avoid electrical shock.

### CAUTION

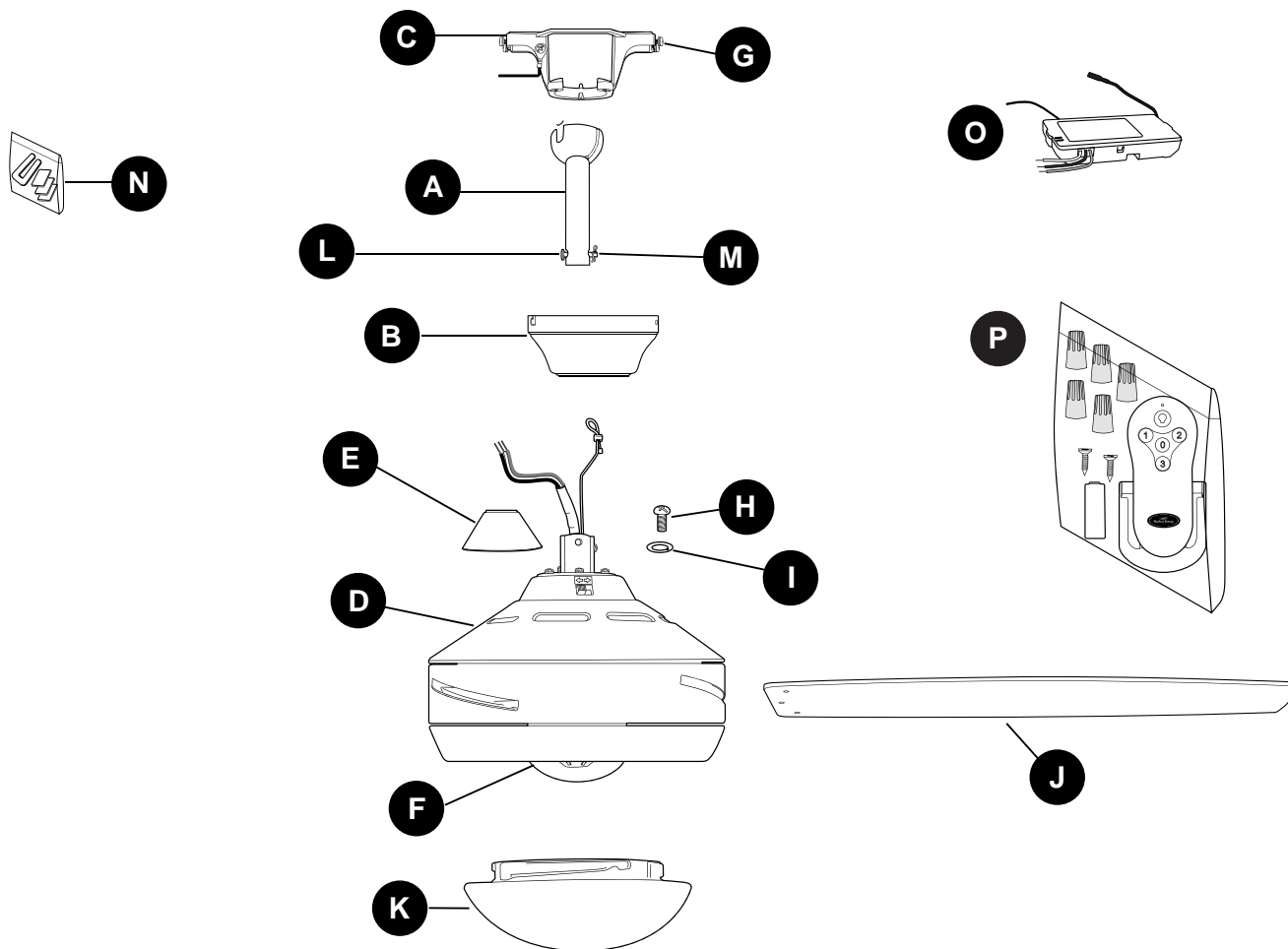
Be sure outlet box is properly grounded and that a ground wire (green or bare) is present.

Before beginning installation, carefully check all screws, bolts and nuts on fan motor assembly to ensure that they are secured.

Do NOT tamper with or attempt to repair LED component. The light source is designed for this specific application and should not be serviced by untrained personnel. If any servicing is required, call our customer service department.

**NOTE:** Dimmable to 10% with select dimmers. See [Lowes.com](http://Lowes.com) for more information.

## PACKAGE CONTENTS



PART	DESCRIPTION	QUANTITY
A	Downrod	1
B	Canopy	1
C	Mounting Bracket	1
D	Motor Housing	1
E	Yoke Cover	1
F	LED Light Kit (preassembled)	1
G	Canopy Mounting Screw (preassembled)	4
H	Motor Screw (preassembled)	6
I	Lock Washer (preassembled)	6
J	Blade	3

PART	DESCRIPTION	QUANTITY
K	Glass Shade	1
L	Pin (preassembled)	1
M	Clip (preassembled)	1
N	Balancing Kit	1
O	Remote Control Receiver	1
P	Remote Pack	1

**⚠ IMPORTANT REMINDER:** You must use the parts provided with this fan for proper installation and safety.

## HARDWARE CONTENTS (shown actual size)

---

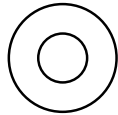
AA



Blade  
Screw

Qty. 9  
+ 1 extra

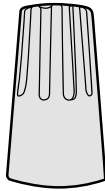
BB



Fiber  
Blade  
Washer

Qty. 9  
+ 1 extra

CC



Wire  
Connector

Qty. 4

## PREPARATION

---

Before beginning assembly of product, make sure all parts are present. Place motor on carpet or on foam to avoid damage to finish. Compare parts with package contents list and hardware contents list. If any part is missing or damaged, do not attempt to assemble the product.

**Estimated Assembly Time: 120 minutes**

Tools Required for Assembly (not included): Electrical Tape, Phillips Screwdriver, Pliers, Safety Glasses, Stepladder and Wire Strippers

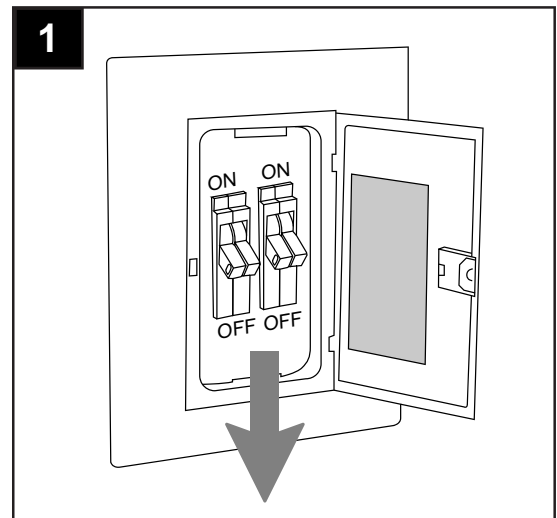
Helpful Tools (not included): AC Tester Light, Tape Measure, Do-It-Yourself Wiring Handbook and Wire Cutters

## INITIAL INSTALLATION

---

1. Turn off circuit breakers and wall switch to the fan supply line leads.

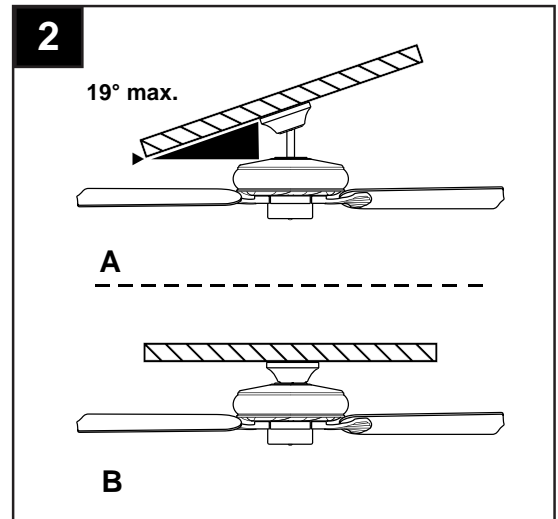
**⚠ DANGER:** Failure to disconnect power supply prior to installation may result in serious injury or death.



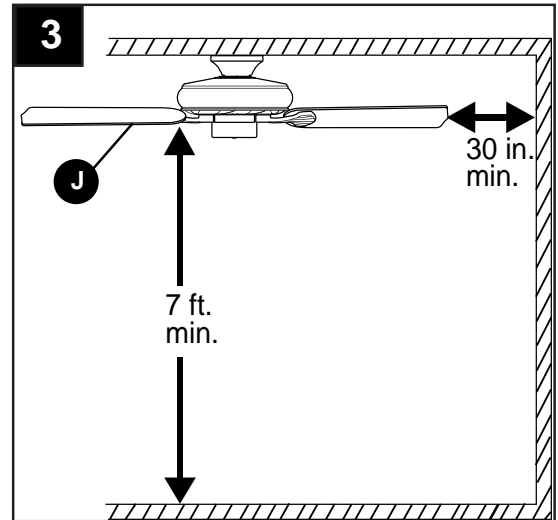
## INITIAL INSTALLATION

- Determine mounting method to use.
  - Downrod mount (standard or angled ceiling)
  - Closemount (standard ceiling only)**IMPORTANT:** If using the angle mount, check to make sure the ceiling angle is not steeper than 19°.

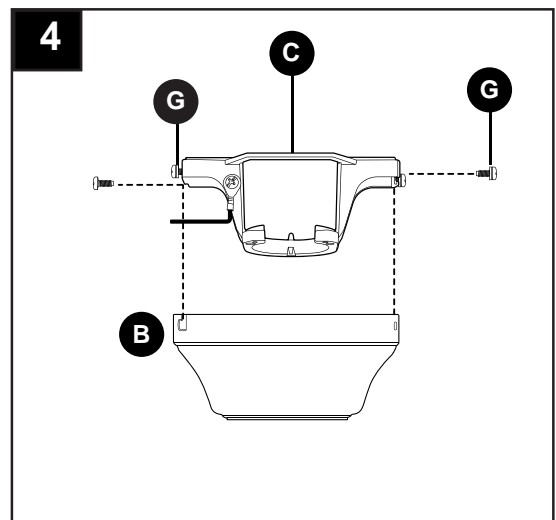
**\*Helpful Hint:** Downrod-style mounting is best suited for ceilings 8 ft. or higher. For taller ceilings you may want to use a longer downrod (not included). Angle-style mounting is best suited for angled or vaulted ceilings. A longer downrod is sometimes necessary to ensure proper blade clearance. Closemount mounting is more suitable for ceilings lower than 8 ft. high.



- Check to make sure blades (J) will be at least 30 in. from any obstruction and at least 7 ft. above the floor.

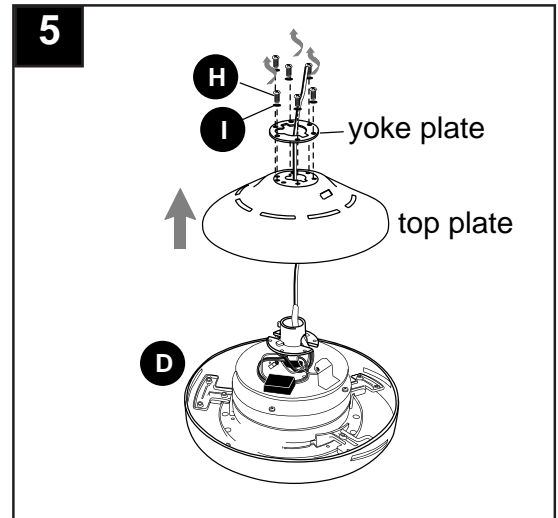


- Temporarily raise canopy (B) to mounting bracket (C) and determine which 2 canopy mounting screws (G) align with slotted holes in canopy (B). Partially loosen these 2 canopy mounting screws (G) and remove the other two; save for later use.

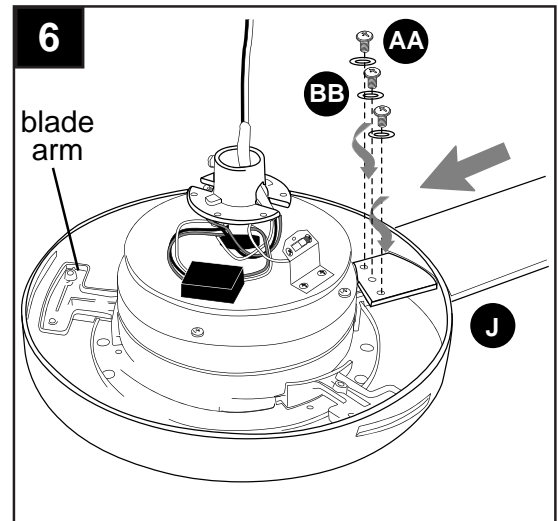


## INITIAL INSTALLATION

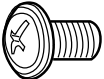

5. Remove 6 motor screws (H) and 6 lock washers (I) from top of motor housing (D). Remove the yoke plate and top plate from motor housing (D).



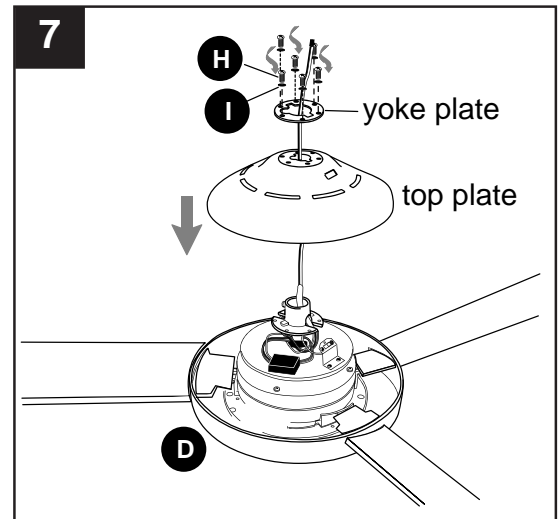
6. Slide one blade (J) through one of the rectangular openings on center band of motor housing (D). Align holes in blade (J) with holes in blade arm located inside of motor. Attach blade (J) with 3 blade screws (AA) and fiber washers (BB). Repeat for remaining blades (J).  
**Note:** Make sure to completely secure each blade (J) before proceeding to the next.



### Hardware Used

<b>AA</b>	Blade Screw		x 9
<b>BB</b>	Fiber Blade Washer		x 9

7. Reattach top plate and yoke plate to motor housing (D) with lock washers (I) and motor screws (H) previously removed in Step 5.

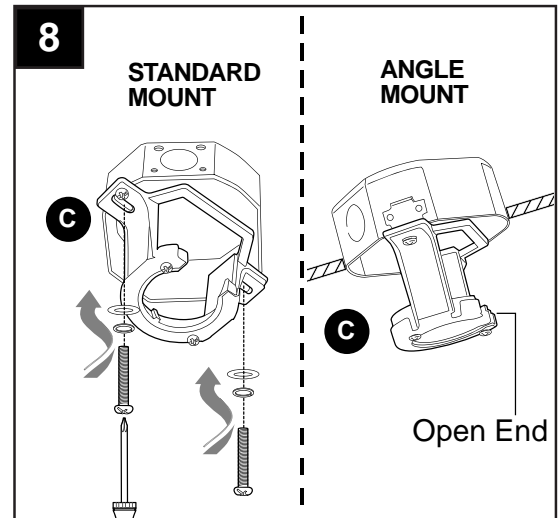


## INITIAL INSTALLATION

- Secure mounting bracket (C) to outlet box (not included) using screws, spring washers and flat washers provided with the outlet box.

**\*NOTE:** It is very important you use the proper hardware when installing the mounting bracket (C) as this will support the fan.

**IMPORTANT:** If using the angle mount, make sure open end of mounting bracket (C) is installed facing the higher point of the ceiling, and ensure the ceiling angle is not steeper than 19°.

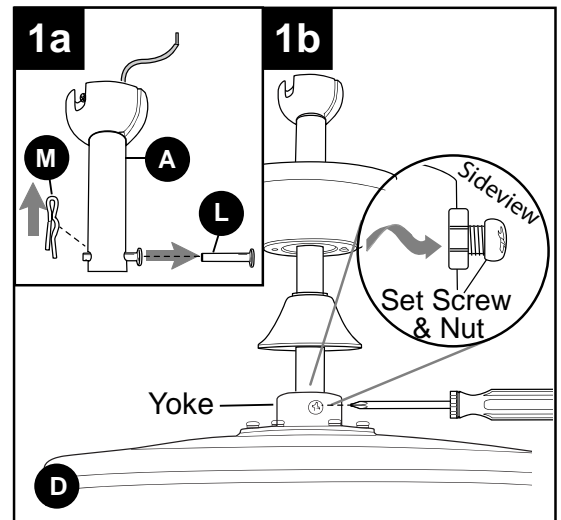


For **DOWNROD-STYLE FAN MOUNTING**, proceed to step 1 below.

For **CLOSEMOUNT-STYLE FAN MOUNTING**, skip to page 10.

## DOWNROD-STYLE FAN MOUNTING

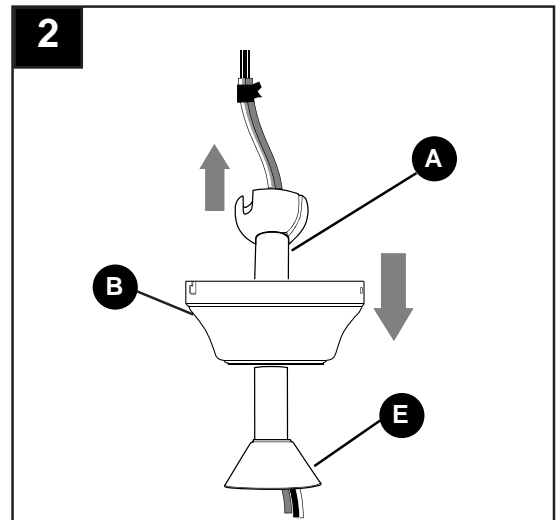
- Remove pin (L) and clip (M) from downrod (A).
- Partially loosen preassembled set screws and nuts in yoke at top of motor housing (D).



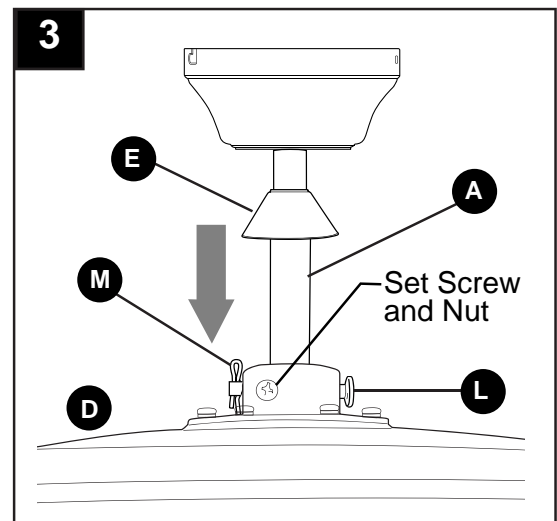


## DOWNROD-STYLE FAN MOUNTING

2. Insert downrod (A) through canopy (B), and yoke cover (E). Thread wires from motor housing (D) up through downrod (A).



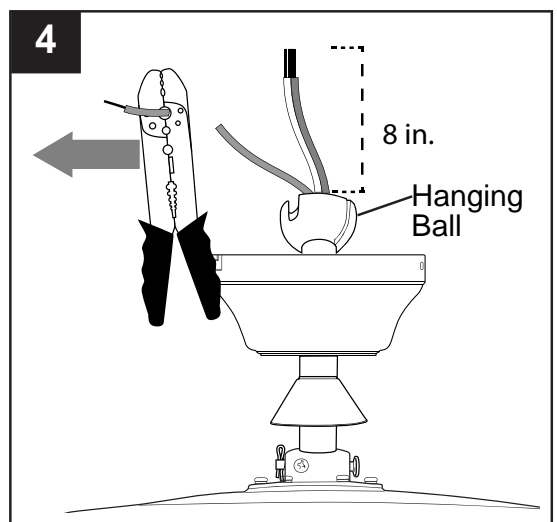
3. Slip downrod (A) into yoke, align holes and re-install pin (L) and clip (M). Tighten set screws and then tighten nuts. Slide yoke cover (E) down until it rests on top of motor housing (D).



4. Depending on the length of downrod you use, you may need to cut the lead wires back to simplify the wiring. If you decide to cut back the lead wires, it is suggested you do so in the following manner:

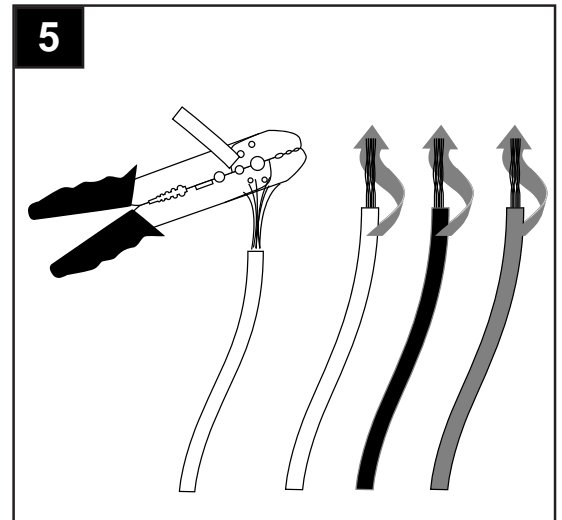
Take the lead wires and make sure you have pulled them all the way through the top of the downrod. Start at the TOP of the hanging ball on the downrod and measure 8 in. of lead wire, and then cut the excess wire off with wire cutters (not included).

**NOTE:** If you do *not* cut back the lead wires, **Steps 4 and 5 are not necessary and you may proceed to Step 6 instead.**



## DOWNROD-STYLE FAN MOUNTING

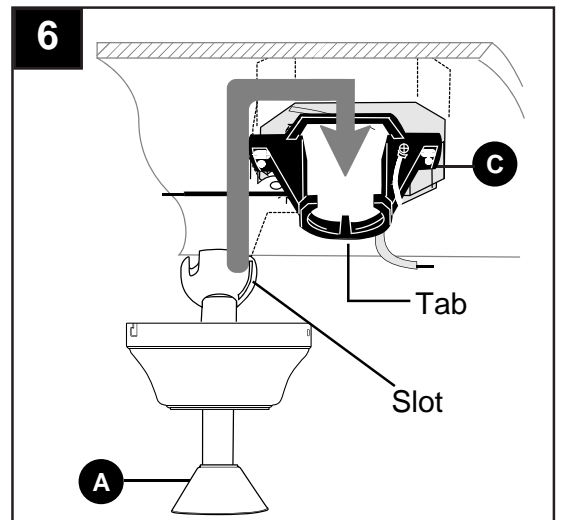
5. If you cut back the lead wires in Step 4, strip 1/2 in. of insulation from end of each wire -- WHITE, BLACK, GREEN and BLUE. Twist stripped ends of each strand of wire within the insulation with pliers (not included).



6. Install hanging ball of downrod (A) into opening of mounting bracket (C). Align one of the slots in hanging ball with the tab in mounting bracket (C).

**⚠ DANGER:** Failure to align slot in hanging ball with the tab in mounting bracket (C) may result in serious injury or death.

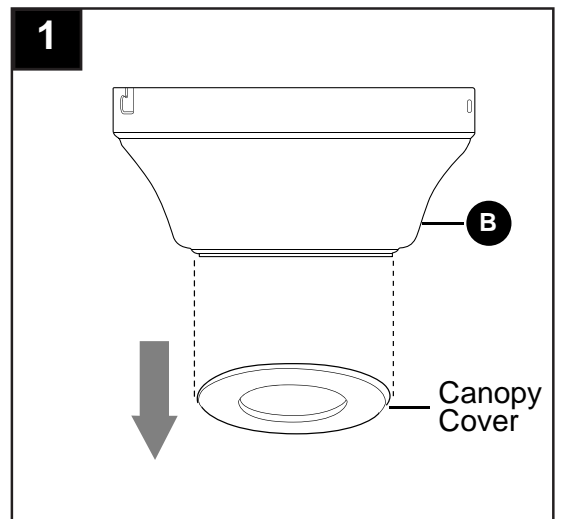
Continue to **WIRING** on page 12.



## CLOSEMOUNT-STYLE FAN MOUNTING

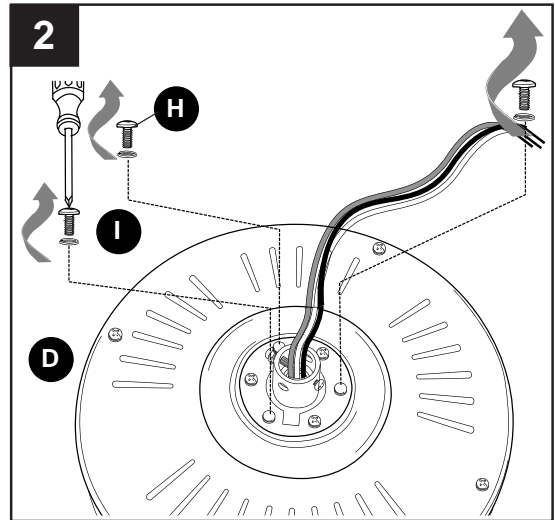
1. Remove preassembled canopy cover from bottom of canopy (B). **NOTE:** Turn canopy cover to the left (counterclockwise) to remove from canopy (B).

**NOTE:** The downrod (A), yoke cover (E) and canopy cover are not used in this type of installation.

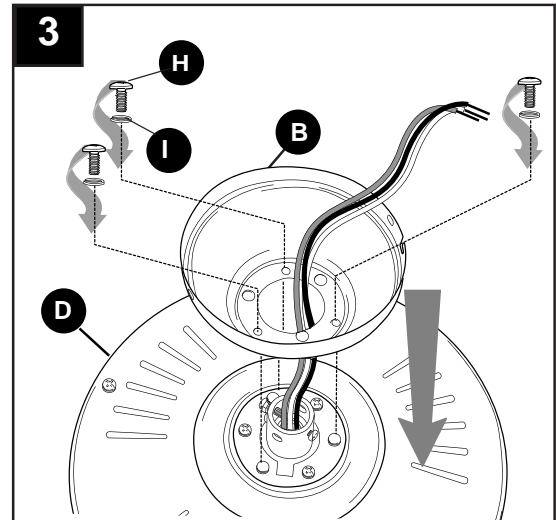


## CLOSEMOUNT-STYLE FAN MOUNTING

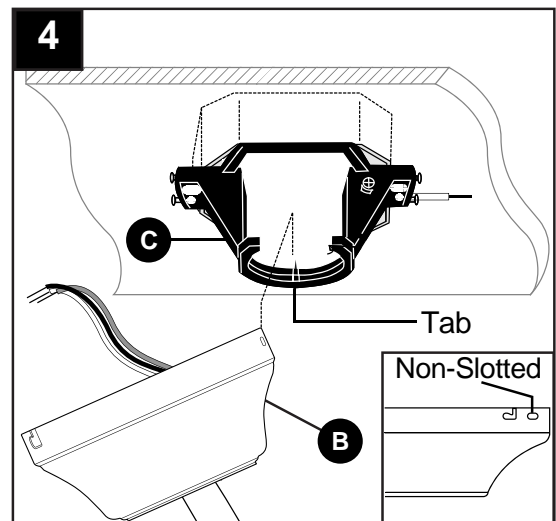
2. Remove every other motor screw (H) and lock washer (I) from top of motor housing (D).



3. Pull wires up through hole in the middle of the canopy (B). Align larger holes in canopy (B) with 3 screws in top of motor housing (D). Attach canopy (B) to motor housing (D) using the three motor screws (H) and lock washers (I) previously removed.



4. Temporarily hang fan on the tab on the mounting bracket (C) using one of the *non-slotted* holes in the canopy (B).



## WIRING

**⚠ WARNING:** To reduce the risk of fire, electrical shock or personal injury, wire connectors provided with this fan are designed to accept only one 12-gauge house wire and two lead wires from the fan. If your house wire is larger than 12-gauge or there is more than one house wire to connect to the corresponding fan lead wires, consult an electrician for the proper size wire connectors to use.

**⚠ CAUTION:** Be sure outlet box is properly grounded and that a ground (green or bare) wire is present.

**⚠ WARNING:** If house wires are different colors than referred to in the following steps, stop immediately. A professional electrician is recommended to determine wiring.

**⚠ WARNING:** Using a full range dimmer switch (not included) to control fan speed will cause a loud humming noise from fan. To reduce the risk of fire or electrical shock, do NOT use a full range dimmer switch to control fan speed.

1. Make the necessary wiring connections for remote control operation as detailed below and in the figure. For each wire connection, use one of the wire connectors (CC), making sure to screw wire connector (CC) on in a clockwise direction.

**CAUTION:** Assistance from another person is recommended for this step.

Connect all GROUND (GREEN) wires from fan (on downrod (A), if applicable, and mounting bracket (C)) to BARE/GREEN supply wire from ceiling.

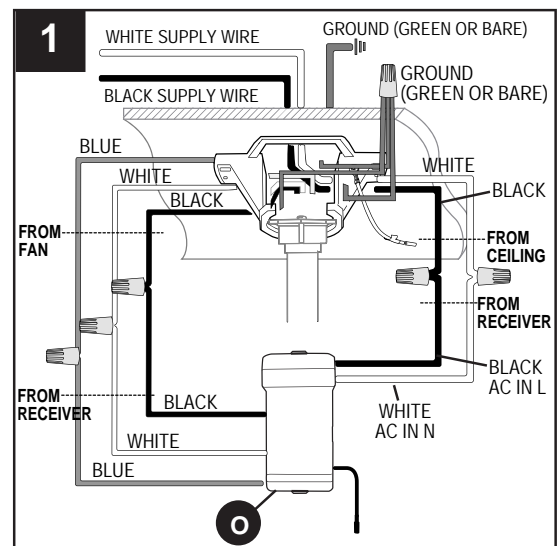
Connect BLACK wire (labeled AC IN L) from remote control receiver (O) to BLACK supply wire from ceiling.

Connect WHITE wire (labeled AC IN N) from remote control receiver (O) to WHITE supply wire from ceiling.

Connect WHITE wire (labeled TO MOTOR N) from remote control receiver (O) to WHITE wire from motor housing (D).

Connect BLACK wire (labeled TO MOTOR L) from remote control receiver (O) to BLACK wire from motor housing (D).

Connect BLUE wire (labeled FOR LIGHT) from remote control receiver (O) to BLUE wire from motor housing (D).

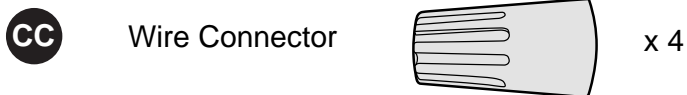


## WIRING

2. Wrap electrical tape (not included) around each individual wire connector (CC) down to the wire.

**⚠ WARNING:** Make sure no bare wire or wire strands are visible after making connections. Place GREEN and WHITE connections on opposite side of the outlet box from the BLACK and BLUE (if applicable) connections.

### Hardware Used

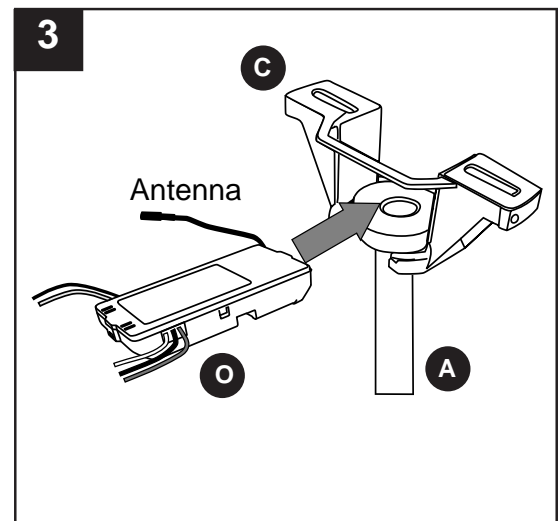
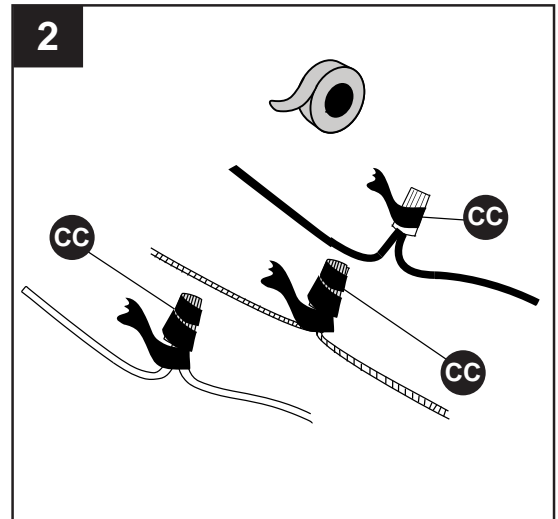


3. Gently slide remote control receiver (O) flat-side up into mounting bracket (C). Turn spliced/taped wires upward and gently push wires and wire connectors (CC) into outlet box. Let antenna from remote control receiver (O) hang to the side.

**NOTE:** The remote control included with this fan meets the following requirements:

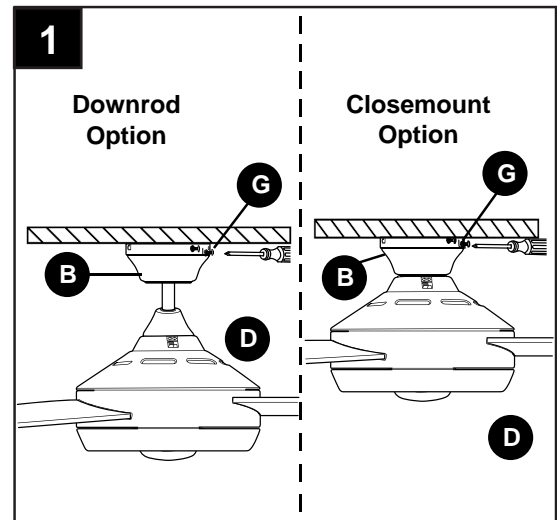
- a. Not for use with solid state fans.
- b. Electrical rating: 120V / 60 Hz;  
motor amps: 1.25 MAX.

Should you choose to use a different remote control with this fan, it must also meet these same requirements.

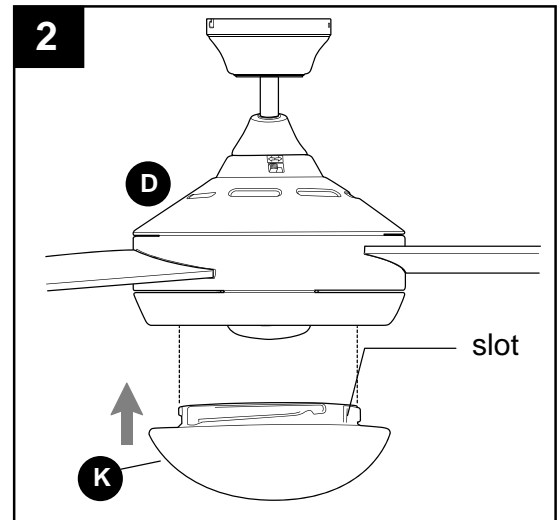


## FINAL INSTALLATION

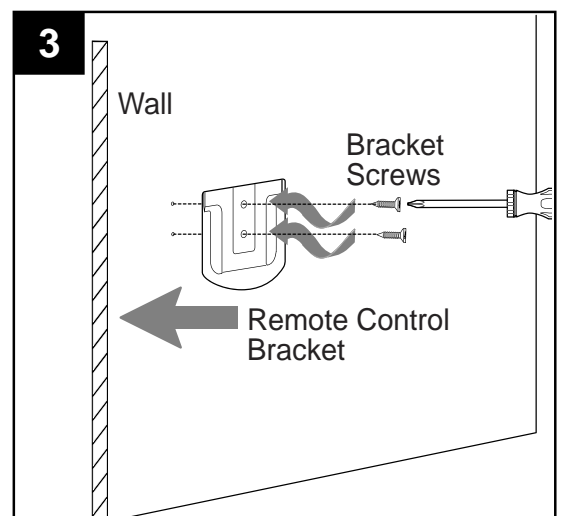
1. Lift canopy (B) to mounting bracket (C) again, aligning slotted holes in canopy (B) with loosened canopy mounting screws (G) in mounting bracket (C). Twist canopy (B) clockwise to lock. Re-insert the two canopy mounting screws (G) previously removed (Step 4, page 6) and tighten all canopy mounting screws (G) securely.



2. Align slots on glass shade (K) with protrusions on underside of motor housing (D). Turn glass shade (K) *clockwise* until it no longer turns.  
**NOTE:** Pull down gently on the glass shade (K) to make sure it is secured completely.



3. If you wish to use the remote control bracket from remote pack (P), install screws from remote pack (P) through bracket and into the desired installation site. The remote control transmitter from remote pack (P) rests inside the bracket.



## OPERATING INSTRUCTIONS

**⚠ CAUTION:** The remote control transmitter can be programmed to multiple receivers or fans. If this is not desired, turn wall switch off to any other programmable receiver or fan.

### FCC Compliance Notice for Remote Control

Modifications not approved by the party responsible for compliance could void the user's authority to operate the equipment.

\*NOTE: This equipment has been tested and found to comply with the limits for a Class B digital device, pursuant to Part 15 of the FCC Rules. These limits are designed to provide reasonable protection against harmful interference in a residential installation. This equipment generates, uses and can radiate radio frequency energy and, if not installed and used in accordance with the instructions, may cause harmful interference to radio communications. However, there is no guarantee that interference will not occur in a particular installation. If this equipment does cause harmful interference to radio or television reception, which can be determined by turning the equipment off and on, the user is encouraged to try to correct the interference by one or more of the following measures:

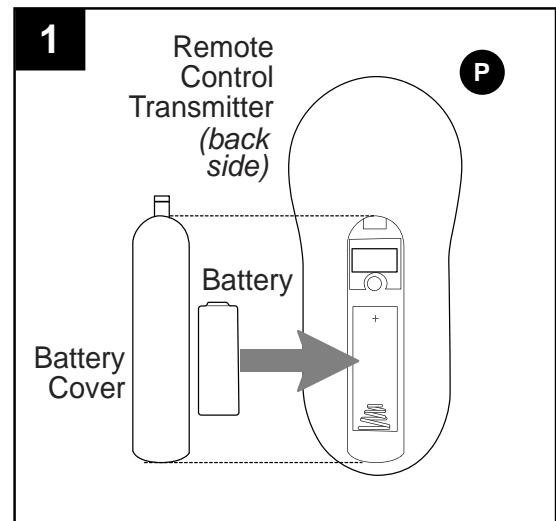
- \* Reorient or relocate the receiving antenna.
- \* Increase the separation between the equipment and receiver.
- \* Connect the equipment into an outlet on a circuit different from that to which the receiver is connected.

Consult the dealer or an experienced radio/TV technician for help.

1. Remove battery cover from back of remote control transmitter in remote pack (P). Install battery from remote pack (P) with positive (+) end toward top of remote control transmitter.

Replace battery cover on remote control transmitter.

**⚠ WARNING: Choking Hazard** - Small parts. Keep battery away from children.



**⚠ CAUTION:** "DO NOT DISPOSE OF BATTERIES IN FIRE, BATTERIES MAY EXPLODE OR LEAK." - When disposing of household alkaline batteries, it is best to check with your local and state recycling or household hazardous waste coordinators concerning the specifics of the program in your area. You may also locate a recycling center by calling 1-800-8-BATTERY or 1-877-2-RECYCLE or visit [www.epa.gov/epawaste/index.htm](http://www.epa.gov/epawaste/index.htm) or [www.earth911.org](http://www.earth911.org) for more information.

## OPERATING INSTRUCTIONS

- Restore electrical power. Within 30 seconds of restoring electrical power, press and hold the "0" button on the remote control transmitter for 5 seconds or until light on the fan blinks twice. Use the remote control transmitter to test the light and fan functions to confirm the learning process is complete.

**NOTE:** Remove protective covering from front of remote control transmitter and discard.

**IMPORTANT:** To prevent damage to remote control transmitter, remove the battery if not used for long periods. Store the remote control transmitter away from excess heat or humidity.

- Operation buttons on the panel of the remote control transmitter:

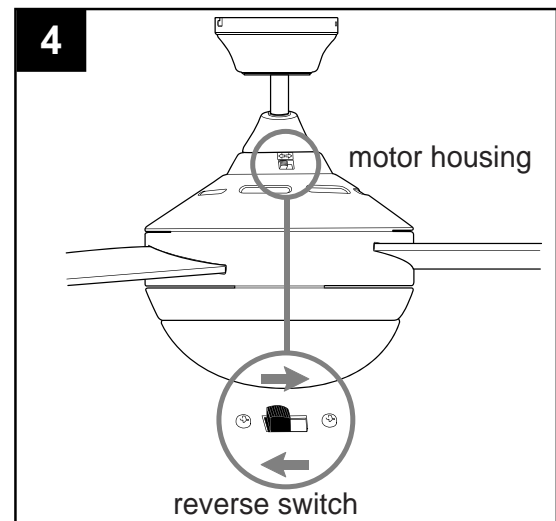
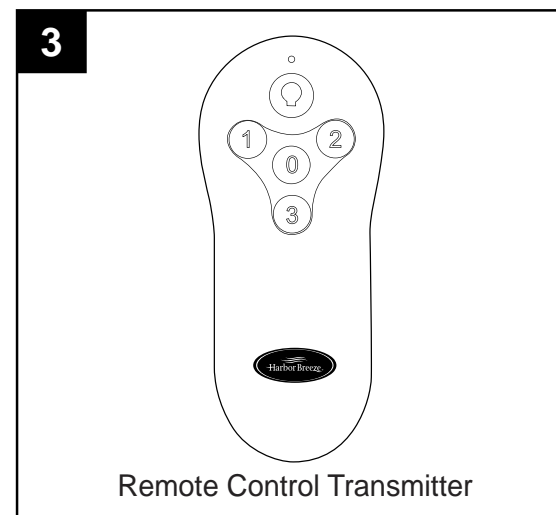
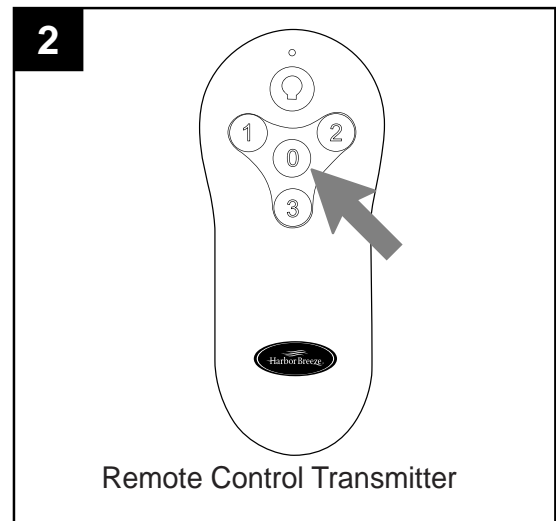
<b>3</b> button	for <u>fan</u> <b>HIGH</b> speed
<b>2</b> button	for <u>fan</u> <b>MEDIUM</b> speed
<b>1</b> button	for <u>fan</u> <b>LOW</b> speed
<b>0</b> button	to turn <u>fan</u> <b>OFF</b>
☉ button	to turn <u>light</u> <b>ON</b> or <b>OFF</b>

Tap ☉ button quickly to turn lights off or on. Hold ☉ button down to increase or decrease lights. If you press ☉ button in excess of 0.7 seconds, it becomes a dimmer. The lights vary cyclically in 8 seconds. The light button has an auto resume function, which keeps the light at the same brightness as the last time it was turned off.

**NOTE:** Most CFLs are NOT compatible for use with dimmer controls.

- Use the fan reverse switch on the switch housing to optimize the fan for seasonal performance. A ceiling fan will allow you to raise your thermostat setting in summer and lower your thermostat setting in winter without feeling a difference in your comfort.

**⚠ CAUTION:** Turn fan off at wall switch and let blades (J) come to a complete stop before manually activating the reverse switch.

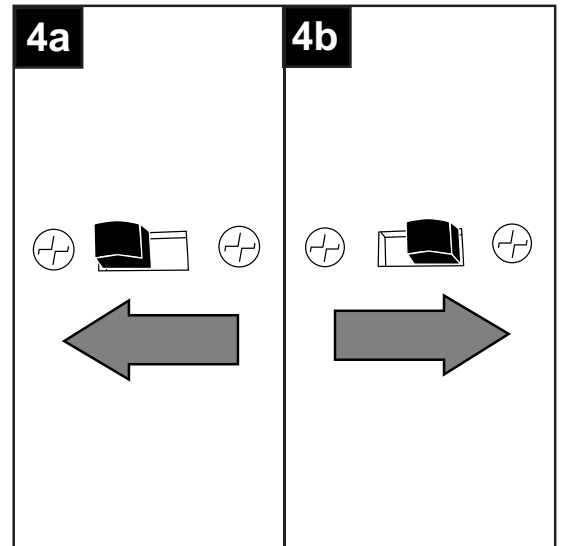




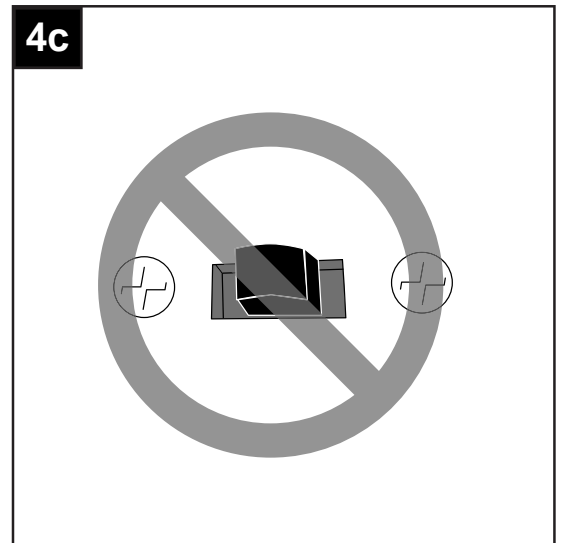
## OPERATING INSTRUCTIONS

4a. In **warmer** weather, setting the reverse switch in the LEFT position will result in downward airflow creating a wind chill effect.

4b. In **cooler** weather, setting the reverse switch in the RIGHT position will result in upward airflow that can help move stagnant, hot air off the ceiling area.



4c. **IMPORTANT:** Reverse switch must be set either **completely** LEFT or **completely** RIGHT for fan to function. If the reverse switch is set in the middle position, fan will not operate.



## CARE AND MAINTENANCE

At least twice each year, lower canopy (B) to check downrod (A) assembly, and then tighten all screws on fan. Clean motor housing (D) with only a soft brush or lint-free cloth to avoid scratching the finish. Clean blades (J) with a lint-free cloth. You may occasionally apply a light coat of furniture polish to wood blades for added protection.

**IMPORTANT:** Shut off main power supply before beginning any maintenance. Do not use water or a damp cloth to clean the ceiling fan.

## TROUBLESHOOTING

**⚠ WARNING:** Before beginning work, shut off the power supply to avoid electrical shock.

PROBLEM	POSSIBLE CAUSE	CORRECTIVE ACTION
Fan does not move.	<ol style="list-style-type: none"> <li>1. Reverse switch not engaged.</li> <li>2. Power is off or fuse is blown.</li> <li>3. Faulty wire connection.</li> <li>4. Learning code process between fan and remote control transmitter may not have been successful and learning code was not activated.</li> </ol>	<ol style="list-style-type: none"> <li>1. Push switch firmly either left or right.</li> <li>2. Turn power on or check fuse.</li> <li>3. Turn power off. Loosen canopy and check all connections.</li> <li>4. Turn off power and repeat instructions in Step 2 on page 16.</li> </ol>
Noisy operation.	<ol style="list-style-type: none"> <li>1. Blades are loose.</li> <li>2. Cracked blade.</li> <li>3. Full range dimmer switch.</li> <li>4. Fan is new.</li> </ol>	<ol style="list-style-type: none"> <li>1. Tighten all blade screws.</li> <li>2. Replace blade.</li> <li>3. Replace with an approved speed control device.</li> <li>4. Allow fan a "break in" period of a few days, especially when running the fan at Medium and High speeds.</li> </ol>
Excessive wobbling.	<ol style="list-style-type: none"> <li>1. Blades are loose.</li> <li>2. Unbalanced blades.</li> <li>3. Fan not securely mounted.</li> <li>4. Fan too close to vaulted ceiling.</li> <li>5. Set screw(s) on motor housing yoke is (are) not tightened properly.</li> </ol>	<ol style="list-style-type: none"> <li>1. Tighten all blade screws.</li> <li>2. Switch one blade with a blade from the opposite side or use balancing kit (N).</li> <li>3. Turn power off. Carefully loosen canopy and verify that mounting bracket is secure.</li> <li>4. Use a longer downrod or move fan to another location.</li> <li>5. Tighten yoke set screw(s) securely.</li> </ol>
Fan operates but light fails.	<ol style="list-style-type: none"> <li>1. Wires in canopy not wired properly.</li> <li>2. Wall switch to fan is off.</li> </ol>	<ol style="list-style-type: none"> <li>1. Check wires in canopy and, if necessary, re-wire according to instructions on pages 12 and 13.</li> <li>2. Make sure that wall switch to fan is on.</li> </ol>

**NOTE:** A small amount of "wobble" is normal and should not be considered a defect.

## LIMITED LIFETIME WARRANTY

The distributor warrants this fan to be free from defects in workmanship and materials present at time of shipment from the factory for Lifetime limited from the date of purchase. This warranty applies only to the original purchaser. The distributor agrees to correct any defect at no charge or, at our option, replace the ceiling fan with a comparable or superior model.

To obtain warranty service, present a copy of your sales receipt as proof of purchase. All cost of removal and reinstallation are the express responsibility of the purchaser. Any damage to the ceiling fan by accident, misuse or improper installation, or by using parts not produced by the manufacturer of this fan or affixing accessories not produced by the manufacturer of this fan, are the purchaser's own responsibility. The distributor assumes no responsibility whatsoever for fan installation during the limited lifetime warranty. Any service performed by an unauthorized person will render the warranty invalid.

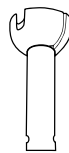
Due to varying climatic conditions, this warranty does not cover changes in brass finish, rusting, pitting, tarnishing, corroding or peeling. Brass finish fans maintain their beauty when protected from varying weather conditions. Any glass provided with this fan is not covered by the warranty.

Any replacement of defective parts for the ceiling fan must be reported within the first year from the date of purchase. For the balance of the warranty, call our customer service department (at **1-800-643-0067**) for return authorization and shipping instructions so that we may repair or replace the ceiling fan. Any fan or parts returned improperly packaged is/are the sole responsibility of the purchaser. There is no further express warranty. The distributor disclaims any and all implied warranties. The duration of any implied warranty which cannot be disclaimed is limited to the limited lifetime period as specified in our warranty. The distributor shall not be liable for incidental, consequential or special damages arising at or in connection with product use or performance except as may otherwise be accorded by law. This warranty gives you specific legal rights and you may also have other rights which vary from state to state. This warranty supersedes all prior warranties.

## REPLACEMENT PARTS LIST

For replacement parts, call our customer service department at **1-800-643-0067**, 8 a.m. - 6 p.m., EST, Monday - Thursday, 8 a.m. - 5 p.m., EST, Friday.

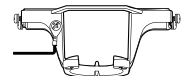
PART	DESCRIPTION	PART#
A	Downrod	0803772-A
B	Canopy	0803772-B
C	Mounting Bracket	0803772-C
J	Blade	0803772-J



**A**



**B**



**C**

**J**



Printed in China