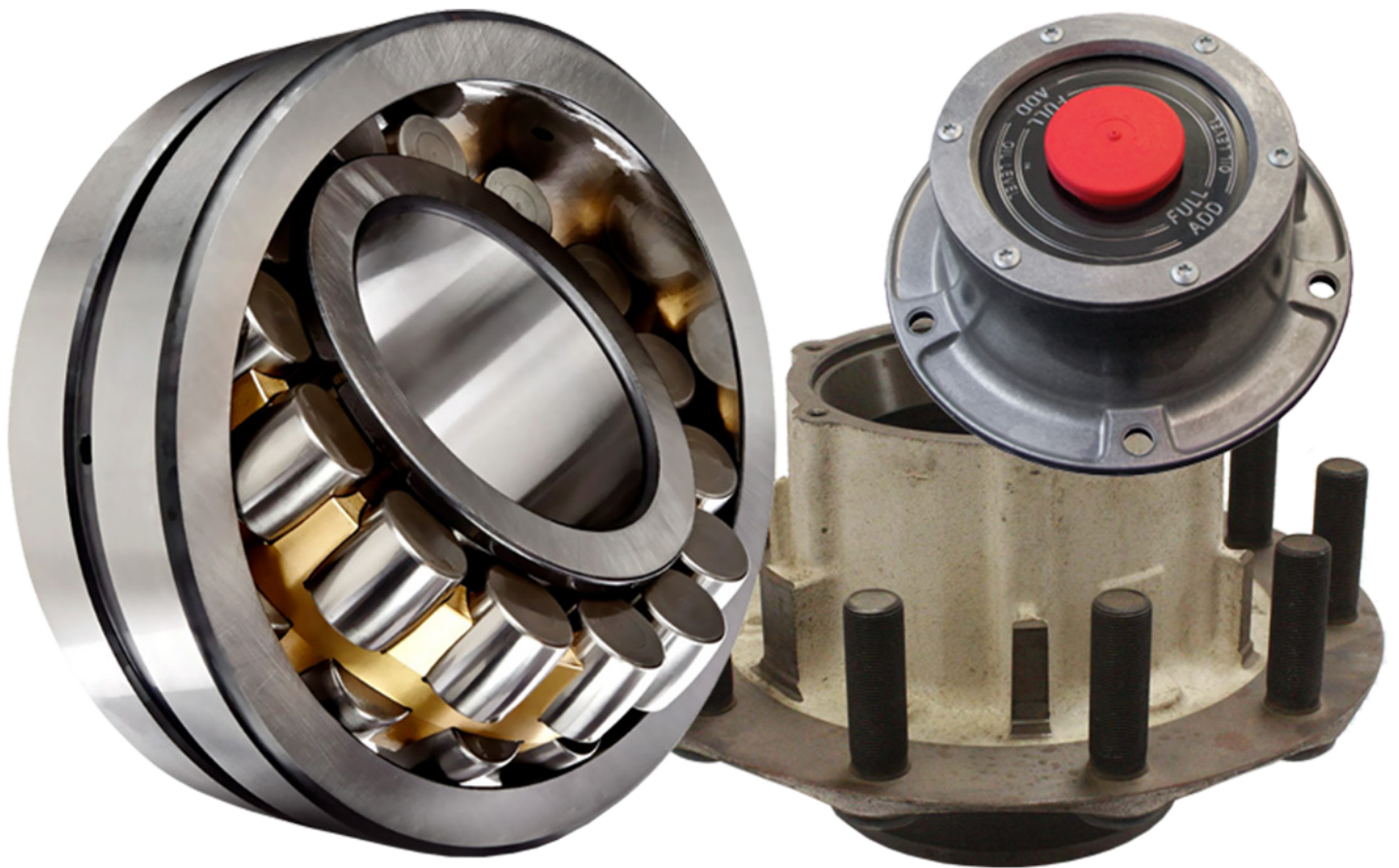


martec

 **international**

Bearings & Hubs



New Jersey • Chicago • Dallas • Houston • Los Angeles • Miami
Costa Rica • Guatemala • Honduras

5.1: Bearing Cones & Cups (races)	2
5.2: Oil Seals	4
5.3: Trailer Oil Seal Interchange Guide with Bearing Numbers	5
5.4: Hubcaps & Accessories	6
5.5: Hubdometers, Hubcaps, & Brackets	9

5.1 Bearing Cones & Cups (races)



5.1.1: BEARING CONES



Industry Standard	Hyatt	MTR Parts	Timken	Timken K	Miscellaneous
555S			TIM555S		
560			TIM560		
567			TIM567		
575			TIM575		
580	HYT580		TIM580		
582			TIM582		
593			TIM593		
593A			TIM593A		
594A	HYT594A		TIM594A		
595			TIM595		
598			TIM598		
598A	HYT598A		TIM598A		
643			TIM643		
663	HYT663		TIM663		
665A			TIM665A		
749			TIM749		
3782	HYT3782		TIM3782		
6461A			TIM6461A		
28682			TIM28682		
39590			TIM39590		
45280			TIM45280		
45284			TIM45284		
47686			TIM47686		
65390			TIM65390		
HH506348			TIMHH506348		
H715345			TIMH715345		
HM212047	HYT212047		TIMHM212047		
HM212049	HYTHM212049	MTRHM212049	TIMHM212049	TIMKHM212049	MTR10600161
HM218248	HYTHM218248	MTRHM218248	TIMHM218248	TIMKHM218248	MTR10600162
HM518445	HYTHM518445	MTRHM518445	TIMHM518445	TIMHM518445	MTR10600202 MTRHM518445



HYATT

Div. General Bearing Corporation

5.1.2: BEARING CUPS (RACES)



TIMKEN

Industry Standard	Hyatt	MTR Parts	Timken	Timken K	Miscellaneous
493	HYT493				
496	HYT496				
552A			TIM552A		
563	HYT563				
572	HYT572		TIM572		
592			TIM592		
592A	HYT592A		TIM592A		
632			TIM632		
653	HYT653		TIM653		
752			TIM752		
3720	HYT3720		TIM3720		
6420			TIM6420		
28622			TIM28622		
39520			TIM39520		
45220			TIM45220		
47620	HYT47620		TIM47620		
HH506310	HH506310		TIMHH506310		
H715311			TIMH715311		
HM212010			TIMHM212010		
HM212011	HYTHM212011	MTRHM212011	TIMHM212011	TIMKHM212011	
HM218210	HYTHM218210	MTRHM218210	TIMHM218210	TIMKHM218210	
HM518410	HYTHM518410	MTRHM518410	TIMHM518410	TIMKHM518410	MTRHM518410



TIMKEN

5.1.3: TIMKEN BEARING SET



TIMKEN

Part Number	Set Consists of One of Each
TIMSET401	580/572
TIMSET402	582/572
TIMSET403	594A/592A
TIMSET404	598A/592A
TIMSET405	663/653
TIMSET406	3782/3720
TIMSET407	28682/28622
TIMSET408	39590/39520
TIMSET409	45280/45220
TIMSET410	45284/45220
TIMSET411	47686/47620
TIMSET412	HM212047/HM212011
TIMSET413	HM212049/HM212011
TIMSET414	HM218248/HM218210
TIMSET415	HM518445/HM518410
TIMSET425	567/563

5.2 Oil Seals

5.2.1: STEMCO, CHICAGO RAWHIDE & NATIONAL OIL SEALS & TOOLS

Stemco Trailer Oil Seals		Chicago Rawhide Oil Seals
STE307-0713	STE372-7046	CRS46300
STE307-0723	STE372-7062	CRS46305
STE307-0743	STE372-7091	CRS40136
STE307-0744	STE372-7095	CRS42623
STE320-2023	STE372-7097	
STE320-2109	STE372-7098	National Oil Seals
STE320-2110	STE372-7099	NAT370025A
STE320-2113		NAT370036A
STE320-2173	Trailer Axle Rings	NAT370065A
STE372-7015	STE310-1036	NAT380025A
STE372-7022		NAT380036A
STE372-7024		NAT380065A
	Oil Seal crossover to Bearing Combination See Section 8.3	



5.2.2: TRISEAL OIL SEALS



5.2.2.1: TRISEAL UNITIZED ONE PIECE SEAL

Part Numbers			
TRI65000U	TRI65078U	TRI65165U	TRI65263U
TRI65024U	TRI65092U	TRI65172U	TRI65270U
TRI65030U	TRI65111U	TRI65184U	TRI65283U
TRI65060U	TRI65152U	TRI65261U	TRI65298U
TRI65071U	TRI65156U	TRI65262U	

5.2.2.2: TRISEAL TWO PIECE LEATHER SEAL

Part Numbers			
TRI69520	TRI69697	TRI69794	
TRI69598	TRI69699	TRI69799	

5.2.2.3: TRISEAL TWO PIECE SEVERE SERVICE SEAL

Part Numbers			
TRI70596	TRI70598	TRI70799	
TRI70597	TRI70798		

5.2.3: PRO-PAR OIL SEALS



- | | |
|---|--|
| 1. FRUAXA0413-900 Pro-Par bearing seal assembly | |
|---|--|

5.3 Trailer Oil Seal Interchange Guide with Bearing Numbers

5.3.1: OIL SEAL INTERCHANGE CHART

Key	Bearing Combination	
	Inner Cone/Cup	Outer Cone/Cup
1	663/653	HM212049/HM212011
2	HM518445/HM518410	HM518445/HM518410
3	HM218248/HM218210	HM212049/HM212011
4	665A/653	HM212049/HM212011
5	HM212049/HM212011	3782/372
6	HM212049/HM212011	28862/28622
7	HM715345/HM715311	555S/552A
8	6461A/6420	3979/3920
9	47686/47620	39590/39520
10	5760/5735	575/572
11	663/653	575/572
12	598/592A	575/572
13	580/572	567/563
14	598A/592A	580/572
15	594A/592A	580/572







5: Bearings, Oil Seals & Hubcaps

Key	Stemco Guardian	Stemco Grit Guard	National	CR Scotseal	CR Scotseal+	Midland Barrier	Eaton Outrunner	Triseal
1	STE307-0713	STE372-7098	NAT370036A	CRS41036	CRS40129	MID747400P	EAT850	TRI65261U
2	STE307-0723	STE372-7099	NAT370065A	CRS42623	CRS42627	MID745400P	EAT851	TRI65262U
3	STE307-0743	STE372-7097	NAT370025A	CRS46305	CRS46300	MID755400P	EAT859	TRI65060U
4	STE307-0744	STE372-7095	NAT370037A	CRS43752	CRS43789	-----	EAT853	TRI65298U
5	STE308-0836	STE382-8036	NAT370001A	CRS35066	CRS35058	-----	EAT847	TRI65263U
6	308-0853	STE382-8053	370124A	CRS44922	CRS44A19	-----	EAT855	TRI65000U
7	STE308-0856	STE382-8056	NAT370131A	CRS45103	CRS45102	-----	EAT857	TRI65078U
8	STE308-0864	STE382-8064	NAT370048A	CRS43762	CRS43763	-----	863	TRI65092U
9	309-0915	STE392-9099	370024A	CRS38750	CRS38748	-----	EAT848	TRI65024U
10	STE309-0912	STE392-9099	NAT370023A	CRS38780	CRS38776	-----	EAT849	TRI65152U
11	309-0904	STE392-9130	NAT370031A	CRS42672	CRS42671	-----	EAT852	TRI65071U
12	309-0965	STE392-9096	NAT370019A	CRS43860	CRS43861	-----	EAT854	TRI65184U
13	STE309-0903	STE392-9094	NAT370022A	CRS45099	CRS45097	-----	EAT856	TRI65270U
14	STE309-0960	392-9081	NAT370005A	CRS48000	CRS48001	-----	EAT860	TRI65165U
15	STE309-0964	STE392-9098	NAT370021A	CRS45160	CRS45158	-----	EAT850	TRI65172U

NOTE: Part numbers with a 3 letter prefix are stocking items. All others may be ordered.

5.4 Hubcaps & Accessories



5.4.1: STEMCO HUBCAPS & ACCESSORIES



Hub Caps	Hub Caps	Gaskets
STE340-4009	STE343-4034	STE330-3024
STE340-4013	STE343-4046	STE330-3028
STE340-4019	STE343-4059	STE330-3034
STE340-4024	STE343-4064	STE330-3036
STE340-4028	STE343-4066	STE330-3041
STE340-4036	STE343-4075	STE330-3067
STE340-4042	STE343-4095	STE330-3111
STE340-4046	STE343-4122	STE330-3118
STE340-4066	STE343-4195	STE330-3122
STE340-4075	STE343-4249	
STE340-4092	STE343-4350	Window Kits
STE340-4095	STE344-4009	STE359-5912
STE340-4157	STE347-4009	STE359-5991
STE340-4195	STE347-4013	STE359-5992
STE340-4249	STE347-4075	STE359-5994
STE340-4352	STE347-4195	STE359-5995
STE340-4975	STE347-4278	STE359-5997
STE340-5096	STE347-4343	STE359-5999
STE340-5097	STE348-4009	STE359-6095
STE341-4075	STE349-4195	STE359-6112
STE342-4009	STE351-4195	STE359-6115
STE342-4024	STE352-4195	STE359-6117
STE342-4075	STE354-4009	
STE342-4249	STE354-4075	Vent Plugs
STE343-4009	Gaskets	STE359-5915
STE343-4013	STE330-3009	STE359-5990
STE343-4024	STE330-3013	STE359-6124
STE343-4025	STE330-3019	STE359-6125



5.4.2: CHICAGO RAWHIDE HUBCAPS & ACCESSORIES



Hub Caps	Hub Caps	Gaskets
CRS1343	CRS1742	CRS450293
CRS1399	CRS1743	CRS450751
CRS1643	CRS1770	CRS450775
CRS1703	CRS1799	Plugs
CRS1727		CRS450434

National
Oil Seals

5.4.3: NATIONAL HUBCAPS & ACCESSORIES

National
Oil Seals

Hub Caps	Gaskets
NATU9C	NAT733067
NATHW9C	
	Plugs
	NATB300

TRISEAL CORPORATION

**5.4.4: TRISEAL
HUBCAPS & ACCESSORIES**



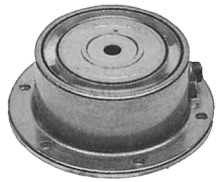


TRISEAL CORPORATION

Hub Caps	Hub Caps	Gaskets
TRI64002	TRI64075P	TRI61009
TRI64009G	TRI64085G	TRI61067
TRI64009H		TRI61077
TRI64013		TRI62209
TRI64024		Plugs
TRI64046		TRI64999
TRI64075A		TRI64999B


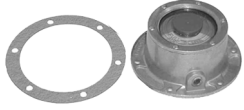
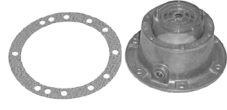








DUAL GUARD

**5.4.5: DUAL DYNAMICS
DUAL GUARD HUBCAPS**

DUAL GUARD



		
1. DUADGPG Oil style Pro-Par	1. DUADG5/6G 5.50" Bolt circle 5/6-hole	1. DUADG6G 6-hole
		
1. DUADG6GN 5.50" Bolt Circle Ventless alum. 6-hole	1. DUADG7.5G 6.75" Bolt Circle alum. 6-hole	

5.4.6: HUBCAPS & ACCESSORIES


 <ol style="list-style-type: none"> MTR1060009 Alum. 6-hole hub cap assembly APT4009 MTR4009P w/o gasket MTR4009PB w/gasket 	 <ol style="list-style-type: none"> APT4010 Alum. 6-hole hub cap with pipe plug assembly MTR4010P w/o gasket MTR4010PB w/gasket 	 <ol style="list-style-type: none"> MTR10600006 Alum. 6-hole hubodometer hubcap 	 <ol style="list-style-type: none"> APT3009 6-hole APT3067 5/6-hole
 <ol style="list-style-type: none"> FRUACC7538-900 Non-vented hub cap assembly 	 <ol style="list-style-type: none"> FRUACC7538-VNT Vented hub cap assembly 	 <ol style="list-style-type: none"> FRUACC7538-GRS Hub cap 	 <ol style="list-style-type: none"> FRUACF6554-PLG O-ring & Non-V plug FRUAXA0484-PKG O-ring FRUAXA1005-1 Non-Vented plug FRUAXA1005-2 Vented plug
 <ol style="list-style-type: none"> MTR10600482 ABS Hub Cap "P" w/sensor magnet 	 <ol style="list-style-type: none"> DAY09-005205 Alum. 6-hole grease hubcap 	 <ol style="list-style-type: none"> FRUACC5963-900 Socket wrench 	

5.5 Hubodometers, Hubcaps & Brackets

5.5.1: STEMCO HUBODOMETERS

Part Number	Description	Figure
STE650-0526	Size of Hubodometer determined by: 1. Tire brand 2. Tire size Consult your Stemco catalog for more information.	  500,000 Mile Warranty
STE650-0537		
STE650-0539		
STE650-0545		
STE650-0583		
STE650-0587		
STE650-0593		
STE650-0595		
STE650-0598		
STE650-0601		
STE650-0605		
STE650-0607		
STE650-0608		
STE650-0610		
STE650-0613		
STE650-0626		
STE650-0634		

5.5.2: STEMCO HUBODOMETERS WITH WABASH LOGO

Part Number	Description	Figure
STE658-0587	See STE650-0587 in Stemco catalog	 500,000 Mile Warranty
STE658-0595	See STE650-0595 in Stemco catalog	
STE658-0598	See STE650-0598 in Stemco catalog	
STE658-0605	See STE650-0605 in Stemco catalog	
STE658-0608	See STE650-0608 in Stemco catalog	
STE658-0610	See STE650-0610 in Stemco catalog	
STE658-0613	See STE650-0613 in Stemco catalog	
STE658-0626	See STE650-0626 in Stemco catalog	

5.5.3: VEEDER-ROOT HUBODOMETER

Part Number	Description	Figure
VEE777716-475	500RPM 6 Digit Face	
VEE777716-500	514RPM No 1/10 mile	
VEE777716-520	520RPM markings	
VEE777717-465	465RPM 7 Digit Face	
VEE777717-475	475RPM 1/10 mile	
VEE777717-484	484RPM markings	
VEE777717-490	490RPM	
VEE777717-494	494RPM	
VEE777717-500	500RPM	
VEE777717-510	510RPM	
VEE777717-514	514RPM	
VEE777717-520	520RPM	
VEE777717-525	525RPM	
VEE777717-572	572RPM	
VEE777717-612	612RPM	
VEE777717-637	637RPM	
VEE777717-676	676RPM	
VEE777707-838	490RPM Wabash logo	
VEE777707-833	500RPM	
VEE777707-836	510RPM	
VEE777707-834	514RPM	
VEE777707-835	520RPM	
777727-326	326 Rev Per Kilometer	

1. 300,000 Mile Warranty
2. Records in either direction.
3. Hermetically sealed & will not fog.
4. Precision shaft support in front & back.
5. Unique counter balance design prevents orbiting.
6. Accuracy by spacing revolutions per mile with tire size.
7. Magnifying crystals enlarge digits for easier reading.
8. RPM is tire revolutions that equal 1 mile

Note: When ordering: Specify miles or kilometer & specify tire size.

5.5.4: HUBODOMETER HUBCAPS & BRACKETS



5.5.4.1: STEMCO HUBODOMETER HUBCAPS



1. STE640-0001 6-hole



1. STE640-0002 5-hole



1. STE640-0004 Pro-Par