



2017

 **COLNAGO**

---

BENELUX & GERMANY 2017



# *INDEX*

## **BIKES**

### **RACING**

C60  
CONCEPT  
V1-r  
CLX  
C-RS  
A1r DISC  
A1r

### **CYCLOCROSS**

PRESTIGE  
A1r CX

### **URBAN**

IMPACT

## **FRAMES**

### **RACING**

C60 DISC  
C60  
CONCEPT  
V1-r DISC  
V1-r  
CLX  
C-RS  
A1r DISC  
A1r

### **CLASSIC**

MASTER  
ARABESQUE

### **CYCLOCROSS**

PRESTIGE

### **TRIATHLON - TT**

K.ZERO





*COLNAGO* **BIKES**





RSBK



RSWH



RSCG



RSRD



RSRO



MHCF



MHRD



MHWH



MHBL



PLG6



PLBK



PLWH



PLGL



PLYL



PLAN



PLGR



PLRD



PLLB



C60 - PLRD  
SHIMANO DURA ACE



C60 - MHBL  
CAMPAGNOLO SUPER RECORD





	SRAM RED eTAP	SHIMANO DURA ACE DI2	CAMPAGNOLO SUPER RECORD
Frame	COLNAGO C60 CARBON	COLNAGO C60 CARBON	COLNAGO C60 CARBON
Replaceable Dropout	COLNAGO C60 CNC ONE-PIECE DROPOUTS	COLNAGO C60 CNC ONE-PIECE DROPOUTS	COLNAGO C60 CNC ONE-PIECE DROPOUTS
Front Fork	COLNAGO C60 CARBON	COLNAGO C60 CARBON	COLNAGO C60 CARBON
Chain Wheel	SRAM RED 50/34 - 172.5 MM	SHIMANO DURA ACE 50/34 - 172.5 MM	CAMPAGNOLO SUPER RECORD 50/34 - 172.5 MM
Chain	CERAMICSPEED UFO CHAIN	CERAMICSPEED UFO CHAIN	CERAMICSPEED UFO CHAIN
Head Set	COLNAGO C60	COLNAGO C60	COLNAGO C60
Handle Bar	FSA K-FORCE	FSA K-FORCE	FSA K-FORCE
Handle Bar Stem	FSA OS-99 CSI	FSA OS-99 CSI	FSA OS-99 CSI
Brakes	SRAM RED	SHIMANO DURA ACE	CAMPAGNOLO SUPER RECORD
Wheel Set	VISION METRON 40	VISION METRON 40	VISION METRON 40
Tire	CHALLENGE STRADA OPEN TUBULAR	CHALLENGE STRADA OPEN TUBULAR	CHALLENGE STRADA OPEN TUBULAR
Front Derailleur	SRAM RED eTAP	SHIMANO DURA ACE DI2	CAMPAGNOLO SUPER RECORD
Rear Derailleur	SRAM RED eTAP	SHIMANO DURA ACE DI2	CAMPAGNOLO SUPER RECORD
Derailleur Lever Set	SRAM RED eTAP	SHIMANO DURA ACE DI2	CAMPAGNOLO SUPER RECORD
Gear	SRAM RED	SHIMANO ULTEGRA	CAMPAGNOLO CHORUS
Saddle	PROLOGO NAGO EVO	PROLOGO NAGO EVO	PROLOGO NAGO EVO
Seat Post	COLNAGO CARBON 31.6 MM	COLNAGO CARBON 31.6 MM	COLNAGO CARBON 31.6 MM
Pedals	TIME XPRESSO 10	TIME XPRESSO 10	TIME XPRESSO 10
Color	PLBK / PLWH / PLGL / PLAN / PLLB / PLRD / RSBK / RSWH / RSRO / RSRD / RSCG / PLGR / PLYL / PLG6 / MHWH / MHRD / MHCF / MHBL		

	SHIMANO DURA ACE	SHIMANO ULTEGRA DI2	SHIMANO ULTEGRA
Frame	COLNAGO C60 CARBON	COLNAGO C60 CARBON	COLNAGO C60 CARBON
Replaceable Dropout	COLNAGO C60 CNC ONE-PIECE DROPOUTS	COLNAGO C60 CNC ONE-PIECE DROPOUTS	COLNAGO C60 CNC ONE-PIECE DROPOUTS
Front Fork	COLNAGO C60 CARBON	COLNAGO C60 CARBON	COLNAGO C60 CARBON
Chain Wheel	SHIMANO DURA ACE 50/34 - 172.5 MM	FSA K-FORCE 386 COMPACT 50/34	FSA K-FORCE 386 COMPACT 50/34
Chain	CERAMICSPEED UFO CHAIN	CERAMICSPEED UFO CHAIN	CERAMICSPEED UFO CHAIN
Head Set	COLNAGO C60	COLNAGO C60	COLNAGO C60
Handle Bar	FSA K-FORCE	FSA K-FORCE	FSA K-FORCE
Handle Bar Stem	FSA OS-99 CSI	FSA OS-99 CSI	FSA OS-99 CSI
Brakes	SHIMANO DURA ACE	SHIMANO ULTEGRA	SHIMANO ULTEGRA
Wheel Set	VISION METRON 40	VISION TRIMAX 35 ALU	VISION TRIMAX 35 ALU
Tire	CHALLENGE STRADA OPEN TUBULAR	VITTORIA DIAMANTE PRO RADIALE	VITTORIA DIAMANTE PRO RADIALE
Front Derailleur	SHIMANO DURA ACE	SHIMANO ULTEGRA DI2	SHIMANO ULTEGRA
Rear Derailleur	SHIMANO DURA ACE	SHIMANO ULTEGRA DI2	SHIMANO ULTEGRA
Derailleur Lever Set	SHIMANO DURA ACE	SHIMANO ULTEGRA DI2	SHIMANO ULTEGRA
Gear	SHIMANO ULTEGRA	SHIMANO ULTEGRA	SHIMANO ULTEGRA
Saddle	PROLOGO NAGO EVO	PROLOGO NAGO EVO	PROLOGO NAGO EVO
Seat Post	COLNAGO CARBON 31.6 MM	COLNAGO CARBON 31.6 MM	COLNAGO CARBON 31.6 MM
Pedals	TIME XPRESSO 10	TIME XPRESSO 10	TIME XPRESSO 10
Color	PLBK / PLWH / PLGL / PLAN / PLLB / PLRD / RSBK / RSWH / RSRO / RSRD / RSCG / PLGR / PLYL / PLG6 / MHWH / MHRD / MHCF / MHBL		



**A UNIQUE FRAME, WITHOUT COMPARE.**

The C60 is fully handmade in Italy, with great care - the same care that we've used over the last 60 years.

The frame is made of carbon fiber, with star-shaped lugs and tubes – an iconic design element that started with the Master. The sections of the tubes have increased volume with thinner walls. The same concerns the lugs. They are larger and stiffer, designed with the same shape of the tubes.

In summary: the C60 tubes and lugs provide greater stiffness and resistance to bending. The rear dropouts have also been completely redesigned, to reduce weight and achieve greater lateral stiffness.

Finally, the construction technique used in the C60 offers an unprecedented range of sizes.

**SLOPING**

Size	P <sub>s</sub>	O <sub>s</sub>	P <sub>ccs</sub>	S <sub>cs</sub>	S <sub>c</sub>	A	C	H <sub>s</sub>	S <sub>s</sub>	Bb drop	P	O	Stack	Reach
42s	420	495	395	99	75.49°	580	397	122	70.8°	65	510	510	516	376
45s	450	505	425	108	75.14°	582	399	125	71.15°	68	515	519	524	380
48s	480	520	455	121	74.58°	584	402	127	71.52°	69	520	530	528	383
50s	500	528	475	131	74°	589	405	145	71.62°	70	540	540	547	383
52s	520	538	495	141	73.57°	593	407	163	71.92°	70	560	550	565	384
54s	540	550	515	151	72.83°	596	409	179	72.49°	70	580	565	582	385
56s	560	568	525	156	72.75°	606	412	187	72.88°	70	600	580	591	396
58s	580	578	540	160	72.75°	614	413	204	73.12°	70	620	590	608	401
60s	600	585	554	164	72.75°	619	414	225	73.3°	70	640	598	628	403

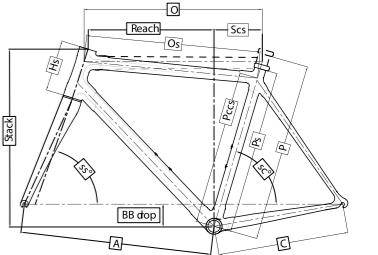
**TRADITIONAL**

Size	P <sub>ccs</sub>	S <sub>cs</sub>	S <sub>c</sub>	A	C	H <sub>s</sub>	S <sub>s</sub>	Bb drop	P	O	Stack	Reach
53	510	140	74.00°	587	402	128	71.62°	70	530	537	530	383
55	530	149	73.57°	591	405	149	71.72°	70	550	545	547	384
57	550	162	72.83°	594	406	162	72.29°	70	570	560	565	386
59	570	169	72.75°	603	408	184	72.88°	70	590	577	585	395
61	580	173	72.75°	609	409	200	73.12°	70	610	586	600	399

**HIGH**

Size	P <sub>s</sub>	O <sub>s</sub>	P <sub>ccs</sub>	S <sub>cs</sub>	S <sub>c</sub>	A	C	H <sub>s</sub>	S <sub>s</sub>	Bb drop	P	O	Stack	Reach
48h	480	515	450	121	74.50°	584	407	142	71.52°	69	520	527	544	380
50h	500	526	470	131	74°	589	410	160	71.62°	70	540	538	563	380
52h	520	536	490	141	73.57°	593	413	178	71.92°	70	560	550	581	379
54h	540	550	515	151	72.83°	596	415	195	72.49°	70	580	565	599	380
56h	560	565	525	156	72.72°	606	417	208	72.88°	70	600	580	613	390

Size  
P<sub>ccs</sub> Seat tube length (centre to centre)  
P<sub>s</sub> Seat tube length (centre to top)  
P Effective seat tube length  
O<sub>s</sub> Top tube length  
O Top tube length (horizontal)  
Q Seat angle  
Q<sub>s</sub> Seat cluster offset  
S<sub>cs</sub> Chainstay length  
C Front centre  
A Height head tube  
H<sub>s</sub> Height head tube  
S<sub>s</sub> Steering angle  
Bb drop Bottom bracket height





**CONCEPT**

CONCEPT - CHR  
SHIMANO DURA ACE



**CONCEPT**



CHLB



CHBK



CHWH





	SRAM RED eTAP	SHIMANO DURA ACE DI2	CAMPAGNOLO SUPER RECORD
Frame	COLNAGO CONCEPT CARBON	COLNAGO CONCEPT CARBON	COLNAGO CONCEPT CARBON
Replaceable Dropout	COLNAGO CONCEPT	COLNAGO CONCEPT	COLNAGO CONCEPT
Front Fork	COLNAGO CONCEPT CARBON	COLNAGO CONCEPT CARBON	COLNAGO CONCEPT CARBON
Chain Wheel	SRAM RED 50/34 - 172.5 MM	SHIMANO DURA ACE 50/34 - 172.5 MM	CAMPAGNOLO SUPER RECORD 50/34 - 172.5 MM
Chain	CERAMICSPEED UFO CHAIN	CERAMICSPEED UFO CHAIN	CERAMICSPEED UFO CHAIN
Head Set	COLNAGO CONCEPT	COLNAGO CONCEPT	COLNAGO CONCEPT
Handle Bar	VISION METRON 5D	VISION METRON 5D	VISION METRON 5D
Handle Bar Stem	VISION METRON 5D	VISION METRON 5D	VISION METRON 5D
Brakes	DIRECT MOUNT BRAKES	DIRECT MOUNT BRAKES	DIRECT MOUNT BRAKES
Wheel Set	VISION METRON 55	VISION METRON 55	VISION METRON 55
Tire	CHALLENGE STRADA OPEN TUBULAR	CHALLENGE STRADA OPEN TUBULAR	CHALLENGE STRADA OPEN TUBULAR
Front Derailleur	SRAM RED eTAP	SHIMANO DURA ACE DI2	CAMPAGNOLO SUPER RECORD
Rear Derailleur	SRAM RED eTAP	SHIMANO DURA ACE DI2	CAMPAGNOLO SUPER RECORD
Derailleur Lever Set	SRAM RED eTAP	SHIMANO DURA ACE DI2	CAMPAGNOLO SUPER RECORD
Gear	SRAM RED	SHIMANO ULTEGRA	CAMPAGNOLO CHORUS
Saddle	PROLOGO NAGO EVO	PROLOGO NAGO EVO	PROLOGO NAGO EVO
Seat Post	COLNAGO CONCEPT CARBON	COLNAGO CONCEPT CARBON	COLNAGO CONCEPT CARBON
Pedals	TIME XPRESSO 10	TIME XPRESSO 10	TIME XPRESSO 10
Color	CHBK / CHWH / CHRd / CHLB	CHBK / CHWH / CHRd / CHLB	CHBK / CHWH / CHRd / CHLB



	SHIMANO DURA ACE	SHIMANO ULTEGRA DI2	SHIMANO ULTEGRA
Frame	COLNAGO CONCEPT CARBON	COLNAGO CONCEPT CARBON	COLNAGO CONCEPT CARBON
Replaceable Dropout	COLNAGO CONCEPT	COLNAGO CONCEPT	COLNAGO CONCEPT
Front Fork	COLNAGO CONCEPT CARBON	COLNAGO CONCEPT CARBON	COLNAGO CONCEPT CARBON
Chain Wheel	SHIMANO DURA ACE 50/34 - 172.5 MM	FSA K-FORCE 386 COMPACT 50/34	FSA K-FORCE 386 COMPACT 50/34
Chain	CERAMICSPEED UFO CHAIN	CERAMICSPEED UFO CHAIN	CERAMICSPEED UFO CHAIN
Head Set	COLNAGO CONCEPT	COLNAGO CONCEPT	COLNAGO CONCEPT
Handle Bar	VISION METRON 5D	VISION METRON 5D	VISION METRON 5D
Handle Bar Stem	VISION METRON 5D	VISION METRON 5D	VISION METRON 5D
Brakes	DIRECT MOUNT BRAKES	DIRECT MOUNT BRAKES	DIRECT MOUNT BRAKES
Wheel Set	VISION METRON 55	VISION METRON 55	VISION METRON 55
Tire	CHALLENGE STRADA OPEN TUBULAR	CHALLENGE STRADA OPEN TUBULAR	CHALLENGE STRADA OPEN TUBULAR
Front Derailleur	SHIMANO DURA ACE	SHIMANO ULTEGRA DI2	SHIMANO ULTEGRA
Rear Derailleur	SHIMANO DURA ACE	SHIMANO ULTEGRA DI2	SHIMANO ULTEGRA
Derailleur Lever Set	SHIMANO DURA ACE	SHIMANO ULTEGRA DI2	SHIMANO ULTEGRA
Gear	SHIMANO ULTEGRA	SHIMANO ULTEGRA	SHIMANO ULTEGRA
Saddle	PROLOGO NAGO EVO	PROLOGO NAGO EVO	PROLOGO NAGO EVO
Seat Post	COLNAGO CONCEPT CARBON	COLNAGO CONCEPT CARBON	COLNAGO CONCEPT CARBON
Pedals	TIME XPRESSO 10	TIME XPRESSO 10	TIME XPRESSO 10
Color	CHBK / CHWH / CHRd / CHLB	CHBK / CHWH / CHRd / CHLB	CHBK / CHWH / CHRd / CHLB

THE COMBINATION OF PURE POWER AND SPEED

This frame has been developed to be as fast as possible, and represents continuity with the original Colnago Concept project – the first carbon fiber frame, developed by Ernesto Colnago in collaboration with Enzo Ferrari in 1986.

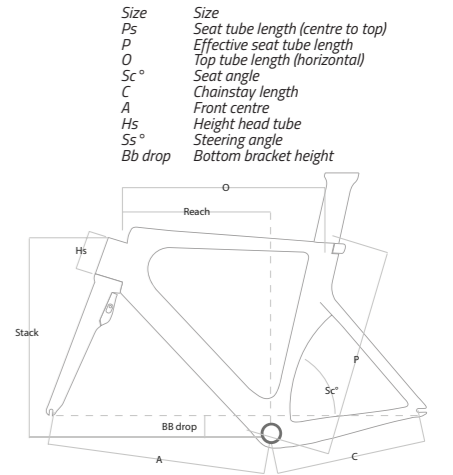
It is the combination of pure power and speed.

Every detail has been studied to bring the aerodynamic performance to a higher level.

Superb ride quality and efficiency transform this bike into a real weapon with which to fight your competitors!

SLOPING

Size	Ps	Sc°	A	C	Hs	Ss°	bbdrop	P	O	fork length	Stack	Reach
42s	420	75,50	582	399	122	70,8	65	510	510	370	513	377
45s	450	75,10	584	401	125	71,1	68	515	519	370	520	380
48s	480	74,60	584	404	127	71,5	69	520	527	370	525	382
50s	500	74,00	591	406	145	71,62	70	540	540	370	543	384
52s	520	73,60	593	407	163	71,9	70	560	550	370	561	384
54s	540	72,80	596	409	179	72,5	70	580	565	370	578	386
56s	560	72,75	606	412	187	72,88	70	600	580	370	587	398
58s	580	72,75	620	413	204	73,12	70	620	596	370	604	408





V1-r - UNOR  
CAMPAGNOLO SUPER RECORD



UNGL



UNSL



UNPK



UNGR



UNRW



UNLB



UNWS



UNTH



UNNE



UNRD



V1-r - UNTH  
SHIMANO ULTEGRA



V1-r - UNLB  
SHIMANO ULTEGRA DI2





	SRAM RED eTAP	SHIMANO DURA ACE DI2	CAMPAGNOLO SUPER RECORD
Frame	COLNAGO V1-R CARBON	COLNAGO V1-R CARBON	COLNAGO V1-R CARBON
Replaceable Dropout	COLNAGO V1-R CARBON FIBER MONOCOQUE DROPOUTS	COLNAGO V1-R CARBON FIBER MONOCOQUE DROPOUTS	COLNAGO V1-R CARBON FIBER MONOCOQUE DROPOUTS
Front Fork	COLNAGO V1-R CARBON	COLNAGO V1-R CARBON	COLNAGO V1-R CARBON
Chain Wheel	SRAM RED 50/34 - 172.5 MM	SHIMANO DURA ACE 50/34 - 172.5 MM	CAMPAGNOLO SUPER RECORD 50/34 - 172.5 MM
Chain	CERAMICSPEED UFO CHAIN	CERAMICSPEED UFO CHAIN	CERAMICSPEED UFO CHAIN
Head Set	COLNAGO V1-R	COLNAGO V1-R	COLNAGO V1-R
Handle Bar	FSA K-FORCE	FSA K-FORCE	FSA K-FORCE
Handle Bar Stem	FSA OS-99 CSI	FSA OS-99 CSI	FSA OS-99 CSI
Brakes	COLNAGO DIRECT MOUNT BRAKES B1-R	COLNAGO DIRECT MOUNT BRAKES B1-R	COLNAGO DIRECT MOUNT BRAKES B1-R
Wheel Set	VISION METRON 40	VISION METRON 40	VISION METRON 40
Tire	CHALLENGE STRADA OPEN TUBULAR	CHALLENGE STRADA OPEN TUBULAR	CHALLENGE STRADA OPEN TUBULAR
Front Derailleur	SRAM RED eTAP	SHIMANO DURA ACE DI2	CAMPAGNOLO SUPER RECORD
Rear Derailleur	SRAM RED eTAP	SHIMANO DURA ACE DI2	CAMPAGNOLO SUPER RECORD
Derailleur Lever Set	SRAM RED eTAP	SHIMANO DURA ACE DI2	CAMPAGNOLO SUPER RECORD
Gear	SRAM RED	SHIMANO ULTEGRA	CAMPAGNOLO CHORUS
Saddle	PROLOGO NAGO EVO	PROLOGO NAGO EVO	PROLOGO NAGO EVO
Seat Post	COLNAGO V1-R CARBON	COLNAGO V1-R CARBON	COLNAGO V1-R CARBON
Pedals	TIME XPRESSO 10	TIME XPRESSO 10	TIME XPRESSO 10
Color	UNGL / UNSL / UNRD / UNWS / UNRW / UNLB / UNOR / UNGR / UNPK / UNNE / UNTH		



	SHIMANO DURA ACE	SHIMANO ULTEGRA DI2	SHIMANO ULTEGRA
Frame	COLNAGO V1-R CARBON	COLNAGO V1-R CARBON	COLNAGO V1-R CARBON
Replaceable Dropout	COLNAGO V1-R CARBON FIBER MONOCOQUE DROPOUTS	COLNAGO V1-R CARBON FIBER MONOCOQUE DROPOUTS	COLNAGO V1-R CARBON FIBER MONOCOQUE DROPOUTS
Front Fork	COLNAGO V1-R CARBON	COLNAGO V1-R CARBON	COLNAGO V1-R CARBON
Chain Wheel	SHIMANO DURA ACE 50/34 - 172.5 MM	FSA K-FORCE 386 COMPACT 50/34	FSA K-FORCE 386 COMPACT 50/34
Chain	CERAMICSPEED UFO CHAIN	CERAMICSPEED UFO CHAIN	CERAMICSPEED UFO CHAIN
Head Set	COLNAGO V1-R	COLNAGO V1-R	COLNAGO V1-R
Handle Bar	FSA K-FORCE	FSA K-FORCE	FSA K-FORCE
Handle Bar Stem	FSA OS-99 CSI	FSA OS-99 CSI	FSA OS-99 CSI
Brakes	COLNAGO DIRECT MOUNT BRAKES B1-R	COLNAGO DIRECT MOUNT BRAKES B1-R	COLNAGO DIRECT MOUNT BRAKES B1-R
Wheel Set	VISION METRON 40	VISION TRIMAX 35 ALU	VISION TRIMAX 35 ALU
Tire	CHALLENGE STRADA OPEN TUBULAR	VITTORIA DIAMANTE PRO RADIALE	VITTORIA DIAMANTE PRO RADIALE
Front Derailleur	SHIMANO DURA ACE	SHIMANO ULTEGRA DI2	SHIMANO ULTEGRA
Rear Derailleur	SHIMANO DURA ACE	SHIMANO ULTEGRA DI2	SHIMANO ULTEGRA
Derailleur Lever Set	SHIMANO DURA ACE	SHIMANO ULTEGRA DI2	SHIMANO ULTEGRA
Gear	SHIMANO ULTEGRA	SHIMANO ULTEGRA	SHIMANO ULTEGRA
Saddle	PROLOGO NAGO EVO	PROLOGO NAGO EVO	PROLOGO NAGO EVO
Seat Post	COLNAGO V1-R CARBON	COLNAGO V1-R CARBON	COLNAGO V1-R CARBON
Pedals	TIME XPRESSO 10	TIME XPRESSO 10	TIME XPRESSO 10
Color	UNGL / UNSL / UNRD / UNWS / UNRW / UNLB / UNOR / UNGR / UNPK / UNNE / UNTH		

**LIGHTNESS, AERODYNAMICS, SAFETY.**

The V1-r is the frame from Colnago designed for cyclists who are particular about their bike's weight-to-performance ratio.

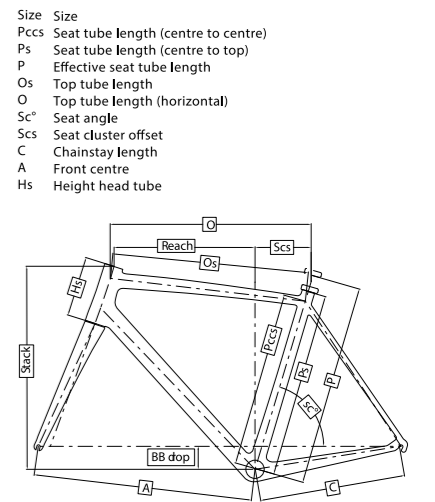
It is made with the highest quality carbon fiber, selected in cooperation with Ferrari, which is why we use the Cavallino logo on each frame.

The frame is monocoque, with aerodynamic shaped tube sections, and full-carbon rear dropouts.

The V1-r is the best monocoque frame produced in Colnago's sixty year history.

**SLOPING**

Size	Ps	Os	Pccs	Scs	Sc°	A	C	Hs	P	O	Stack	Reach
42s	420	491	390	99	75.5°	580	398	126	510	505	519	371
45s	450	500	420	111	75°	581	400	127	515	515	524	376
48s	480	518	450	121	74.50°	587	402	130	520	529	530	381
50s	500	526	470	131	74°	592	405	146	540	539	546	382
52s	520	537	490	141	73.57°	594	408	166	560	550	567	382
54s	540	547	515	151	72.5°	597	411	180	580	565	582	385
56s	560	565	525	156	73°	607	412	190	600	580	592	397
58s	580	577	540	160	73°	617	414	206	620	590	607	401





CLX - GOBK  
SHIMANO ULTEGRA DI2



	SHIMANO ULTEGRA DI2	SHIMANO ULTEGRA	CAMPAGNOLO POTENZA
Frame	COLNAGO CLX CARBON	COLNAGO CLX CARBON	COLNAGO CLX CARBON
Replaceable Dropout	COLNAGO CLX CARBON FIBER MONOCOQUE DROPOUTS	COLNAGO CLX CARBON FIBER MONOCOQUE DROPOUTS	COLNAGO CLX CARBON FIBER MONOCOQUE DROPOUTS
Front Fork	COLNAGO CLX CARBON	COLNAGO CLX CARBON	COLNAGO CLX CARBON
Chain Wheel	FSA GOSSAMER PRO 386 COMPACT 50/34	FSA GOSSAMER PRO 386 COMPACT 50/34	FSA GOSSAMER PRO 386 COMPACT 50/34
Chain	FSA TEAM ISSUE 11S	FSA TEAM ISSUE 11S	FSA TEAM ISSUE 11S
Head Set	COLNAGO CLX	COLNAGO CLX	COLNAGO CLX
Handle Bar	FSA GOSSAMER WING	FSA GOSSAMER WING	FSA GOSSAMER WING
Handle Bar Stem	FSA GOSSAMER	FSA GOSSAMER	FSA GOSSAMER
Brakes	SHIMANO ULTEGRA	SHIMANO ULTEGRA	CAMPAGNOLO POTENZA
Wheel Set	VISION TEAM 35	VISION TEAM 35	VISION TEAM 35
Tire	VITTORIA DIAMANTE PRO RADIALE	VITTORIA DIAMANTE PRO RADIALE	VITTORIA DIAMANTE PRO RADIALE
Front Derailleur	SHIMANO ULTEGRA DI2	SHIMANO ULTEGRA	CAMPAGNOLO POTENZA
Rear Derailleur	SHIMANO ULTEGRA DI2	SHIMANO ULTEGRA	CAMPAGNOLO POTENZA
Derailleur Lever Set	SHIMANO ULTEGRA DI2	SHIMANO ULTEGRA	CAMPAGNOLO POTENZA
Gear	SHIMANO ULTEGRA	SHIMANO ULTEGRA	CAMPAGNOLO POTENZA
Saddle	PROLOGO KAPPA	PROLOGO KAPPA	PROLOGO KAPPA
Seat Post	FSA GOSSAMER	FSA GOSSAMER	FSA GOSSAMER
Pedals	TIME XPRESSO 2	TIME XPRESSO 2	TIME XPRESSO 2
Color	GOBK	GOBK	GOBK

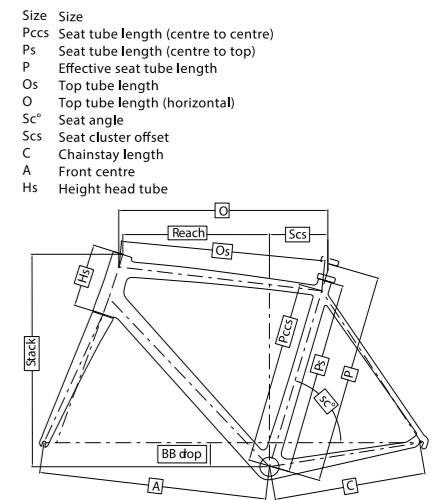
DEVELOPED TO MEET THE NEEDS OF RIDERS

An attractive frame – developed to meet the needs of riders seeking a high performance bike constructed from quality materials and held to the ultimate standard of workmanship that is synonymous with Colnago.

The structure is a unique, new monocoque design – with carbon fiber dropouts.

SLOPING

Size	Ps	Os	Pccs	Scs	Sc°	A	C	Hs	P	O	Stack	Reach
42s	420	491	390	99	75,5°	580	398	126	510	505	519	371
45s	450	500	420	111	75°	581	400	127	515	515	524	376
48s	480	518	450	121	74,50°	587	402	130	520	529	530	381
50s	500	526	470	131	74°	592	405	146	540	539	546	382
52s	520	537	490	141	73,57°	594	408	166	560	550	567	382
54s	540	547	515	151	72,5°	597	411	180	580	565	582	385
56s	560	565	525	156	73°	607	412	190	600	580	592	397
58s	580	577	540	160	73°	620	414	206	620	596	607	407





CLX - GORD  
SHIMANO ULTEGRA



Frame	
Replaceable Dropout	
Front Fork	
Chain Wheel	
Chain	
Head Set	
Handle Bar	
Handle Bar Stem	
Brakes	
Wheel Set	
Tire	
Front Derailleur	
Rear Derailleur	
Derailleur Lever Set	
Gear	
Saddle	
Seat Post	
Color	

SHIMANO ULTEGRA	
Frame	COLNAGO CLX CARBON
Replaceable Dropout	COLNAGO CLX CARBON FIBER MONOCOQUE DROPOUTS
Front Fork	COLNAGO CLX CARBON
Chain Wheel	SHIMANO FC-6800 50/34
Chain	SHIMANO 11S
Head Set	COLNAGO CLX
Handle Bar	DEDA RHM01
Handle Bar Stem	DEDA ZERO ONE
Brakes	SHIMANO ULTEGRA
Wheel Set	FULCRUM R5
Tire	VITTORIA RUBINO 700X25C
Front Derailleur	SHIMANO ULTEGRA
Rear Derailleur	SHIMANO ULTEGRA
Derailleur Lever Set	SHIMANO ULTEGRA
Gear	SHIMANO ULTEGRA
Saddle	SELLE ITALIA SL
Seat Post	COLNAGO 27.2 MM
Color	GORD

**DEVELOPED TO MEET THE NEEDS OF RIDERS**

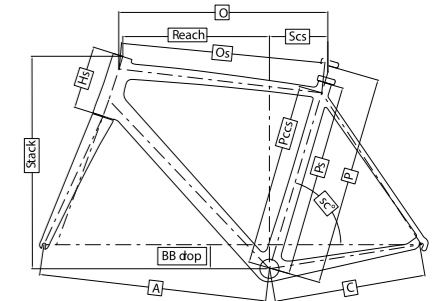
An attractive frame – developed to meet the needs of riders seeking a high performance bike constructed from quality materials and held to the ultimate standard of workmanship that is synonymous with Colnago.

The structure is a unique, new monocoque design – with carbon fiber dropouts.

**SLOPING**

Size	Ps	Os	Pccs	Scs	Sc°	A	C	Hs	P	O	Stack	Reach
42s	420	491	390	99	75,5°	580	398	126	510	505	519	371
45s	450	500	420	111	75°	581	400	127	515	515	524	376
48s	480	518	450	121	74,50°	587	402	130	520	529	530	381
50s	500	526	470	131	74°	592	405	146	540	539	546	382
52s	520	537	490	141	73,57°	594	408	166	560	550	567	382
54s	540	547	515	151	72,5°	597	411	180	580	565	582	385
56s	560	565	525	156	73°	607	412	190	600	580	592	397
58s	580	577	540	160	73°	620	414	206	620	596	607	407

Size Size  
 Pccs Seat tube length (centre to centre)  
 Ps Seat tube length (centre to top)  
 P Effective seat tube length  
 Os Top tube length  
 O Top tube length (horizontal)  
 Sc° Seat angle  
 Scs Seat cluster offset  
 C Chainstay length  
 A Front centre  
 Hs Height head tube







CRUW



CRIT

	SHIMANO ULTEGRA D12	SHIMANO ULTEGRA	CAMPAGNOLO POTENZA
Frame	COLNAGO C-RS CARBON	COLNAGO C-RS CARBON	COLNAGO C-RS CARBON
Replaceable Dropout	COLNAGO C-RS RE219	COLNAGO C-RS RE219	COLNAGO C-RS RE219
Front Fork	COLNAGO C-RS CARBON	COLNAGO C-RS CARBON	COLNAGO C-RS CARBON
Chain Wheel	FSA GOSSAMER PRO 386 COMPACT 50/34	FSA GOSSAMER PRO 386 COMPACT 50/34	FSA GOSSAMER PRO 386 COMPACT 50/34
Chain	FSA TEAM ISSUE 11S	FSA TEAM ISSUE 11S	FSA TEAM ISSUE 11S
Head Set	COLNAGO C-RS	COLNAGO C-RS	COLNAGO C-RS
Handle Bar	FSA VERO	FSA VERO	FSA VERO
Handle Bar Stem	FSA OS-168	FSA OS-168	FSA OS-168
Brakes	SHIMANO ULTEGRA	SHIMANO ULTEGRA	CAMPAGNOLO POTENZA
Wheel Set	VISION TEAM 30	VISION TEAM 30	VISION TEAM 30
Tire	VITTORIA DIAMANTE PRO RADIALE	VITTORIA DIAMANTE PRO RADIALE	VITTORIA DIAMANTE PRO RADIALE
Front Derailleur	SHIMANO ULTEGRA D12	SHIMANO ULTEGRA	CAMPAGNOLO POTENZA
Rear Derailleur	SHIMANO ULTEGRA D12	SHIMANO ULTEGRA	CAMPAGNOLO POTENZA
Derailleur Lever Set	SHIMANO ULTEGRA D12	SHIMANO ULTEGRA	CAMPAGNOLO POTENZA
Gear	SHIMANO ULTEGRA	SHIMANO ULTEGRA	CAMPAGNOLO POTENZA
Saddle	PROLOGO KAPPA	PROLOGO KAPPA	PROLOGO KAPPA
Seat Post	FSA GOSSAMER	FSA GOSSAMER	FSA GOSSAMER
Pedals	TIME XPRESSO 2	TIME XPRESSO 2	TIME XPRESSO 2
Color	CRUW / CRIT	CRUW / CRIT	CRUW / CRIT

**TECHNICAL SOLUTIONS AND THE LATEST DESIGNS**

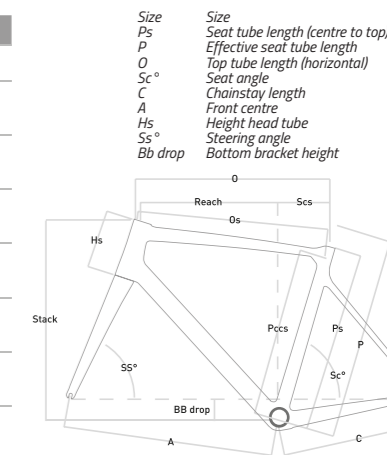
The C-RS is the new entry-level carbon frame from Colnago.

Its monocoque design was conceived in full respect of the philosophy gained through over sixty years of experience designing the most successful bikes in the world. It can boast of cutting-edge technical solutions and the latest designs.

The C-RS was created to meet the demands of cyclists looking for a high quality product without compromise. Internal cable-routing, and other features, easily stack up aesthetically against higher-end products.

**SLOPING**

Size	Scs	Sc*	A	C	Hs	Ss*	bbdrop	P	O	fork length	Stack	Reach
42s	420	75,50	580	399	122	70,8	65	510	505	370	519	371
45s	450	75,10	581	401	125	71,1	68	515	515	370	524	376
48s	480	74,60	587	404	127	71,5	69	520	527	370	527	382
50s	500	74,00	591	406	145	71,62	70	540	540	370	546	383
52s	520	73,60	595	407	163	71,9	70	560	550	370	564	384
54s	540	72,80	597	411	179	72,5	70	580	565	370	581	385
56s	560	72,75	607	412	187	72,9	70	600	580	370	590	397
58s	580	72,75	620	414	204	73,1	70	620	596	370	607	407





C-RS - CRBB



Frame	COLNAGO C-RS CARBON
Replaceable Dropout	COLNAGO C-RS RE219
Front Fork	COLNAGO C-RS CARBON
Chain Wheel	SHIMANO FC-5800 50/34
Chain	SHIMANO CN-HG601
Head Set	COLNAGO C-RS
Handle Bar	DEDA RHM 01
Handle Bar Stem	DEDA ZERO
Brakes	COLNAGO X-BRAKE 3
Wheel Set	SHIMANO WH-RS010
Tire	CONTINENTAL ULTRA SPORT II 700X25C
Front Derailleur	SHIMANO FD-5800-F
Rear Derailleur	SHIMANO RD-5800 SS
Derailleur Lever Set	SHIMANO ST-5800
Gear	SHIMANO CS-5800 11-28T
Saddle	SELLE ITALIA QBIK
Seat Post	COLNAGO ALLOY 27.2mm
Color	CRBB

SHIMANO 105	
Frame	COLNAGO C-RS CARBON
Replaceable Dropout	COLNAGO C-RS RE219
Front Fork	COLNAGO C-RS CARBON
Chain Wheel	SHIMANO FC-5800 50/34
Chain	SHIMANO CN-HG601
Head Set	COLNAGO C-RS
Handle Bar	DEDA RHM 01
Handle Bar Stem	DEDA ZERO
Brakes	COLNAGO X-BRAKE 3
Wheel Set	SHIMANO WH-RS010
Tire	CONTINENTAL ULTRA SPORT II 700X25C
Front Derailleur	SHIMANO FD-5800-F
Rear Derailleur	SHIMANO RD-5800 SS
Derailleur Lever Set	SHIMANO ST-5800
Gear	SHIMANO CS-5800 11-28T
Saddle	SELLE ITALIA QBIK
Seat Post	COLNAGO ALLOY 27.2mm
Color	CRBB

**TECHNICAL SOLUTIONS AND THE LATEST DESIGNS**

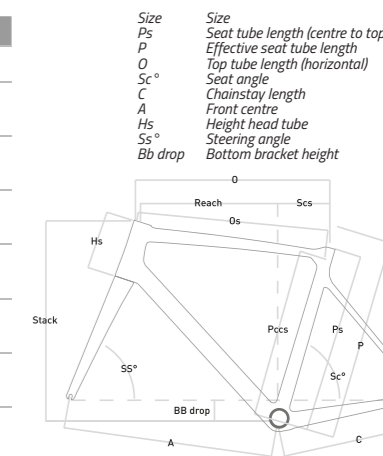
The C-RS is the new entry-level carbon frame from Colnago.

Its monocoque design was conceived in full respect of the philosophy gained through over sixty years of experience designing the most successful bikes in the world. It can boast of cutting-edge technical solutions and the latest designs.

The C-RS was created to meet the demands of cyclists looking for a high quality product without compromise. Internal cable-routing, and other features, easily stack up aesthetically against higher-end products.

**SLOPING**

Size	Scs	Sc°	A	C	Hs	Ss°	bbdrop	P	O	fork length	Stack	Reach
42s	420	75,50	580	399	122	70,8	65	510	505	370	519	371
45s	450	75,10	581	401	125	71,1	68	515	515	370	524	376
48s	480	74,60	587	404	127	71,5	69	520	527	370	527	382
50s	500	74,00	591	406	145	71,62	70	540	540	370	546	383
52s	520	73,60	595	407	163	71,9	70	560	550	370	564	384
54s	540	72,80	597	411	179	72,5	70	580	565	370	581	385
56s	560	72,75	607	412	187	72,9	70	600	580	370	590	397
58s	580	72,75	620	414	204	73,1	70	620	596	370	607	407





A1R DISC - A1BR  
SHIMANO 105



Frame	COLNAGO A1R DISC ALU
Replaceable Dropout	COLNAGO A1R
Front Fork	COLNAGO A1R DISC CARBON
Chain Wheel	FSA GOSSAMER 50/34
Chain	FSA TEAM ISSUE 115
Head Set	COLNAGO A1R
Handle Bar	FSA VERO
Handle Bar Stem	FSA OS-168
Brakes	TRP HY/RD
Wheel Set	VISION TEAM 30 DISC
Tire	VITTORIA DIAMANTE PRO RADIALE
Front Derailleur	SHIMANO 105
Rear Derailleur	SHIMANO 105
Derailleur Lever Set	SHIMANO 105
Gear	SHIMANO 105
Saddle	PROLOGO KAPPA
Seat Post	FSA GOSSAMER
Color	A1BR

SHIMANO 105	
COLNAGO A1R DISC ALU	
COLNAGO A1R	
COLNAGO A1R DISC CARBON	
FSA GOSSAMER 50/34	
FSA TEAM ISSUE 115	
COLNAGO A1R	
FSA VERO	
FSA OS-168	
TRP HY/RD	
VISION TEAM 30 DISC	
VITTORIA DIAMANTE PRO RADIALE	
SHIMANO 105	
SHIMANO 105	
SHIMANO 105	
SHIMANO 105	
PROLOGO KAPPA	
FSA GOSSAMER	
A1BR	

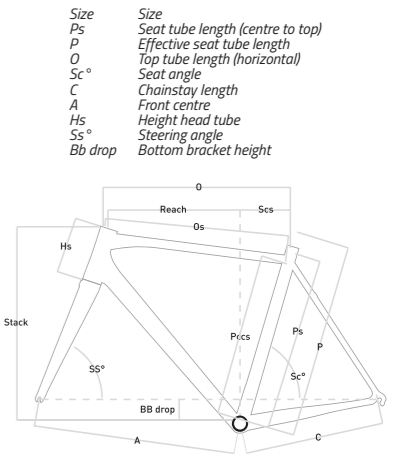
### THIS ALUMINUM FRAME TAKES ON A NEW FORM TO REACH A HIGHER PERFORMANCE LEVEL

Every feature has been thoroughly studied and designed, following the legendary Colnago criteria. Speed, fluidity, stability and lightness are in its DNA. The aesthetic is enhanced through the use of new construction and welding technologies.

Particular attention is placed on the orientation of tube junctions, to ensure maximum torsional rigidity without sacrificing comfort. Following this same train of thought, the choice was made to use a 27.2mm diameter seatpost – smaller and more flexible, but also lighter than a larger diameter post. Also for optimal comfort and weight savings, the choice was made to use a fork with a carbon fiber steerer tube. A press-fit bottom bracket and semi-integrated cable routing are also prominent features on this new frame.

### SLOPING

Size	Scs	Sc°	A	C	Hs	Ss°	bbdrop	P	O	fork leight	Stack	Reach
43	108	75,40	575	405	116	70,8	65	527	504	370	510	371
46	121,4	74,70	584	405	132	71,3	68	550	523	370	530	378
49	135	74,00	594	405	151	71,6	69	572	543	370	550	385
52	147,7	73,50	605	407	170	71,9	70	595	561	370	570	392
55	162,6	72,80	611	410	188	72,5	70	617	581	370	590	399
58	172	72,70	619	413	207	73,1	70	639	596	370	610	406







A1WK

SHIMANO 105



AXBK

SHIMANO 105

Frame
Replaceable Dropout
Front Fork
Chain Wheel
Chain
Head Set
Handle Bar
Handle Bar Stem
Brakes
Wheel Set
Tire
Front Derailleur
Rear Derailleur
Derailleur Lever Set
Gear
Saddle
Seat Post
Color

SHIMANO 105
COLNAGO A1R ALU
COLNAGO A1R
COLNAGO A1R CARBON
FSA GOSSAMER 50/34
FSA TEAM ISSUE 115
COLNAGO A1R
FSA VERO
FSA OS-168
SHIMANO 105
VISION TEAM 30
VITTORIA DIAMANTE PRO RADIALE
SHIMANO 105
SHIMANO 105
SHIMANO 105
PROLOGO KAPPA
FSA GOSSAMER
A1WK / AXBK

**THIS ALUMINUM FRAME TAKES ON A NEW FORM TO REACH A HIGHER PERFORMANCE LEVEL**

Every feature has been thoroughly studied and designed, following the legendary Colnago criteria. Speed, fluidity, stability and lightness are in its DNA. The aesthetic is enhanced through the use of new construction and welding technologies.

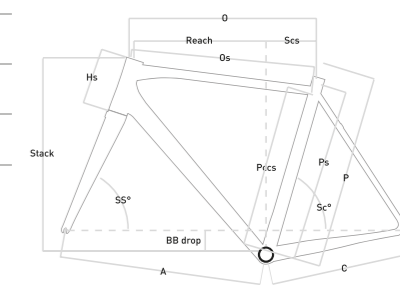
Particular attention is placed on the orientation of tube junctions, to ensure maximum torsional rigidity without sacrificing comfort. Following this same train of thought, the choice was made to use a 27.2mm diameter seatpost – smaller and more flexible, but also lighter than a larger diameter post. Also for optimal comfort and weight savings, the choice was made to use a fork with a carbon fiber steerer tube. A press-fit bottom bracket and semi-integrated cable routing are also prominent features on this new frame.

**SLOPING**

Size	Scs	Sc°	A	C	Hs	Ss°	bbdrop	P	O	fork length	Stack	Reach
43	108	75,40	575	405	116	70,8	65	527	504	370	510	371
46	121,4	74,70	584	405	132	71,3	68	550	523	370	530	378
49	135	74,00	594	405	151	71,6	69	572	543	370	550	385
52	147,7	73,50	605	407	170	71,9	70	595	561	370	570	392
55	162,6	72,80	611	410	188	72,5	70	617	581	370	590	399
58	172	72,70	619	413	207	73,1	70	639	596	370	610	406

Size  
Ps  
P  
O  
Sc°  
C  
A  
Hs  
Ss°  
Bb drop

Size  
Seat tube length (centre to top)  
Effective seat tube length  
Top tube length (horizontal)  
Seat angle  
Chainstay length  
Front centre  
Height head tube  
Steering angle  
Bottom bracket height







EMWC

SHIMANO ULTEGRA

Frame	
Replaceable Dropout	
Front Fork	
Chain Wheel	
Chain	
Head Set	
Handle Bar	
Handle Bar Stem	
Brakes	
Wheel Set	
Tire	
Front Derailleur	
Rear Derailleur	
Derailleur Lever Set	
Gear	
Saddle	
Seat Post	
Color	

**THE RESULT OF YEARS OF EXPERIENCE ON RACE COURSES AROUND THE WORLD**

The newly redesigned Prestige is the range topping cyclocross frame from Colnago. The monocoque carbon fiber frame is the result of years of experience on race courses around the world, and in cooperation with the greatest champions of the discipline.

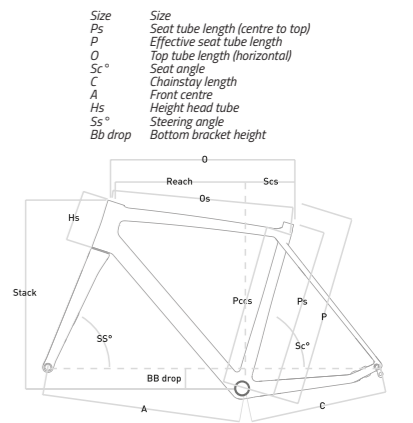
Already known for its stiffness and agility, the new Prestige frame can also boast about its exceptional lightness and strength.

The flat-mount disc brake system provides all the power needed for maximum control of the bike at all times. Internal cable routing offers a clean look worthy of note, and the 27.2mm seatpost contributes to comfort and lightness.

SHIMANO ULTEGRA	
Frame	COLNAGO PRESTIGE CX CARBON
Replaceable Dropout	COLNAGO PRESTIGE RE219
Front Fork	COLNAGO PRESTIGE CX CARBON
Chain Wheel	FSA SL-K 46/36
Chain	FSA TEAM ISSUE 11S
Head Set	COLNAGO PRESTIGE
Handle Bar	FSA VERO
Handle Bar Stem	FSA OS-168
Brakes	SHIMANO HYDRAULIC
Wheel Set	VISION TEAM 30 DISC
Tire	CHALLENGE GRIFO OPEN TUBULAR
Front Derailleur	SHIMANO ULTEGRA
Rear Derailleur	SHIMANO ULTEGRA
Derailleur Lever Set	SHIMANO ULTEGRA
Gear	SHIMANO ULTEGRA
Saddle	PROLOGO KAPPA
Seat Post	FSA GOSSAMER
Color	EMWC

**SLOPING**

Size	Ps	Sc°	A	C	Hs	Ss°	bbdrop	P	O	Stack	Reach	fork
46C	466	75.5	584	420	115	71.3	68	552	515	534	377	391
49C	490	74.7	592	420	135	71.5	68	574	532	554	381	391
52C	520	74	599	422	153	72	68	595	550	573	386	391
55C	550	73.4	606	427	169	72.7	68	618	570	591	394	391





A1R CX DISC - AXBK  
SHIMANO 105



Frame	
Replaceable Dropout	
Front Fork	
Chain Wheel	
Chain	
Head Set	
Handle Bar	
Handle Bar Stem	
Brakes	
Wheel Set	
Tire	
Front Derailleur	
Rear Derailleur	
Derailleur Lever Set	
Gear	
Saddle	
Seat Post	
Color	

SHIMANO 105	
	COLNAGO A1R CX DISC ALU
	COLNAGO A1R CX RE175
	COLNAGO A1R CX DISC CARBON
	FSA NEW OMEGA 36/46
	SHIMANO CN-HG601
	FSA NO.63/51E/ORIBT E-1 28.6-49.65-33 H=20.3
	COLNAGO RA35A2
	COLNAGO JD-ST335
	AVID 12 DB BB5 ROAD PLATINUM
	COLNAGO ARTEMIS R24
	KENDA KWICKER 700X32C
	SHIMANO FD-5800-F
	SHIMANO RD-5800 SS
	SHIMANO ST-5800
	SHIMANO CS-5800 11-28T
	SELLE ITALIA QBIK
	COLNAGO ALLOY 31.6
	AXBK

## DESIGNED TO WIN RACES

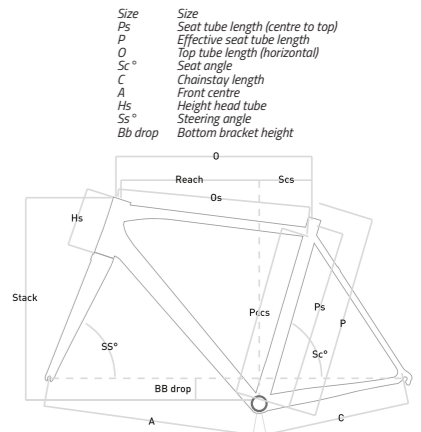
With the world of competitive cyclocross in mind, the A1r CX was designed to win races.

Colnago racing geometry, developed through years of experience with the greatest champions of the discipline, has proven to be extremely successful – winning many World Cups and World Championships.

The A1r CX has all you need for the highest levels of competition.

## SLOPING

Size	Ps	Sc°	A	C	Hs	Ss°	bbdrop	P	O	Stack	Reach	fork
46C	466	75.5	584	420	115	71.3	68	552	515	534	377	391
49C	490	74.7	592	420	135	71.5	68	574	532	554	381	391
52C	520	74	599	422	153	72	68	595	550	573	386	391
55C	550	73.4	606	427	169	72.7	68	618	570	591	394	391
58C	580	73.3	617	427	178	72.9	68	634	585	600	405	391





IMPACT DISC - IMBK  
SHIMANO



Frame	
Replaceable Dropout	
Front Fork	
Chain Wheel	
Chain	
Head Set	
Handle Bar	
Handle Bar Stem	
Brakes	
Wheel Set	
Tire	
Front Derailleur	
Rear Derailleur	
Derailleur Lever Set	
Gear	
Saddle	
Seat Post	
Color	

SHIMANO	
	COLNAGO IMPACT DISC ALU
	COLNAGO IMPACT RE78G
	COLNAGO IMPACT DISC ALU
	SHIMANO FC-2450 46/34
	SHIMANO HG71
	FSA NO.63/51E/ORIBT E-1 28.6-49.65-33 H=20.3
	DEDA DURO
	DEDA ZERO
	SHIMANO BR-R317
	COLNAGO ARTEMIS R24
	KENDA K193 700X28C
	SHIMANO FD-2400
	SHIMANO RD-2400 SS
	SHIMANO SL-2400
	SHIMANO CS-HG50-8 11-28T
	VELO VL-1205
	COLNAGO ALLOY 31.6mm
	IMBK

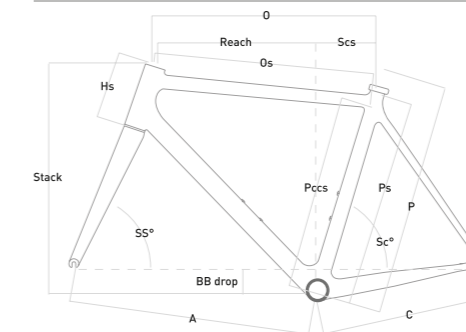
## COMFORT AND EASE OF USE

A cruiser that has the gears to make hills easy, the Impact relishes city streets and country roads.

Constructed with a light, reliable and high-quality double-butted 6000-series aluminum frame, the Impact focuses on comfort and ease of use.

## SLOPING

Size	Ps	Os	O	Pccs	Sc°	A	C	Hs
51s	510	565	587	457	72.5°	626	430	150



- Size
- Ps
- P
- O
- Sc°
- C
- A
- Hs
- Ss°
- Bb drop
- Size
- Seat tube length (centre to top)
- Effective seat tube length
- Top tube length (horizontal)
- Seat angle
- Chainstay length
- Front centre
- Height head tube
- Steering angle
- Bottom bracket height



# COLNAGO *FRAMES*





## C60 / C60 DISC

Frames	- C60 - C60 DISC
Material	CARBON TUBES / MONOCOQUE CARBON LUGS
Colors	- PLBK - RSCG - PLWH - MHWH - RSBK - MHRD - RSWH - MHCF - RSRD - MHBL
Colors : Tricolor Edition	- PLGL - PLGR - PLAN - PLYL - PLLB - PLG6 - PLRD
Sloping Sizes	42s - 45s - 48s - 50s - 52s - 54s - 56s - 58s - 60s
Traditional Sizes	53ct - 55ct - 57ct - 59ct - 61ct
High Sizes	48h - 50h - 52h - 54h - 56h
Geometry	Page 11
Images	Page 6 - 7 - 8 - 9 - 10



## CONCEPT

Frame	CONCEPT
Material	MONOCOQUE CARBON
Colors	- CHBK - CHWH - CHR D - CHLB
Sloping Sizes	42s - 45s - 48s - 50s - 52s - 54s - 56s - 58s
Geometry	Page 15
Images	Page 12 - 13 - 14



## V1-R / V1-R DISC

Frames	- V1-r - V1-r DISC
Material	MONOCOQUE CARBON
Colors	- UNGL - UNOR - UNSL - UNGR - UNRD - UNPK - UNWS - UNNE - UNRW - UNTH - UNLB
Sloping Sizes	42s - 45s - 48s - 50s - 52s - 54s - 56s - 58s
Geometry	Page 21
Images	Page 16 - 17 - 18 - 19 - 20



## CLX

Frame	CLX
Material	MONOCOQUE CARBON
Color	- GOBK
Sloping Sizes	42s - 45s - 48s - 50s - 52s - 54s - 56s - 58s
Geometry	Page 23
Images	Page 22



## C-RS

Frame	C-RS
Material	MONOCOQUE CARBON
Colors	- CRUW - CRIT
Sloping Sizes	42s - 45s - 48s - 50s - 52s - 54s - 56s - 58s
Geometry	Page 27
Images	Page 26



## A1R DISC

Frame	A1R DISC
Material	ALUMINUM / CARBON FRONT FORK
Colors	- A1BR
Sloping Sizes	43s - 46s - 49s - 52s - 55s - 58s
Geometry	Page 31
Images	Page 30

## A1R

Frames	A1R
Material	ALUMINUM / CARBON FRONT FORK
Colors	- AXBK - A1WK
Sloping Sizes	43s - 46s - 49s - 52s - 55s - 58s
Geometry	Page 33
Images	Page 32





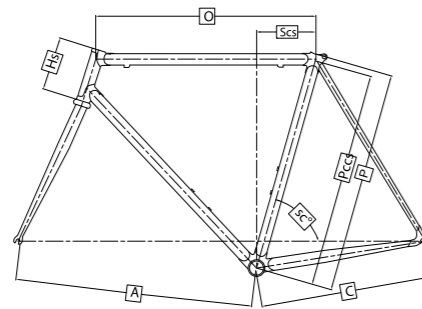
## MASTER & ARABESQUE

Frame	- MASTER - ARABESQUE	
Material	STEEL	
Colors Master	- PR82 - PR99 - AD4 - AD10	- AD11 - AD14 - LX21
Colors Arabesque	- RADK - RALB	- RARD - RAWH
Traditional Sizes	49ct - 50ct - 51ct - 52ct - 53ct - 54ct - 55ct - 56ct - 57ct - 58ct - 59ct - 60ct - 61ct - 62ct - 63ct - 64ct - 65ct	

## GEOMETRY MASTER & ARABESQUE

### TRADITIONAL

Size	P	O	Pccs	Scs	Sc°	A	C	Hs
49	490	518	470	121	75°	585	400	80
50	500	523	480	125	75°	587	401	83
51	510	527	490	128	74,8°	587	402	91
52	520	530	500	133	74,6	588	403	99
53	530	535	510	140	74,1°	589	404	108
54	540	540	520	143	74°	591	405	117
55	550	545	530	146	74°	594	406	126
56	560	550	540	153	74°	595	408	135
57	570	557	550	161	73,5°	595	410	143
58	580	565	560	165	73°	597	411	151
59	590	572	570	169	73°	600	412	160
60	600	580	570	169	72,75°	608	413	162
61	610	586	583	173	72,75°	612	413	171
62	620	590	583	173	72,75°	615	414	182
63	630	594	586	174	72,75°	618	415	182
64	640	597	595	177	72,75°	622	416	192
65	650	600	605	180	72,75°	624	416	203



Size Size  
 Pccs Seat tube length (centre to centre)  
 Ps Seat tube length (centre to top)  
 P Effective seat tube length  
 Os Top tube length  
 O Top tube length (horizontal)  
 Sc° Seat angle  
 Scs Seat cluster offset  
 C Chainstay length  
 A Front centre  
 Hs Height head tube

MASTER



MASTER - AD4



MASTER - AD10



MASTER - AD11

ARABESQUE



ARABESQUE - RADK



ARABESQUE - RALB



ARABESQUE - RAWH



ARABESQUE - RARD

CLASSIC ICONS OF COLNAGO BIKES - TIMELESS MODELS THAT HAVE MARKED THE HISTORY

## PRESTIGE DISC

Frame	PRESTIGE DISC
Material	MONOCOQUE CARBON
Color	- EMWC
Sloping Sizes	46s - 49s - 52s - 55s
Geometry	Page 35
Images	Page 34 - 45



PRESTIGE DISC - EMWC





# FRAMES TRIATHLON / TT

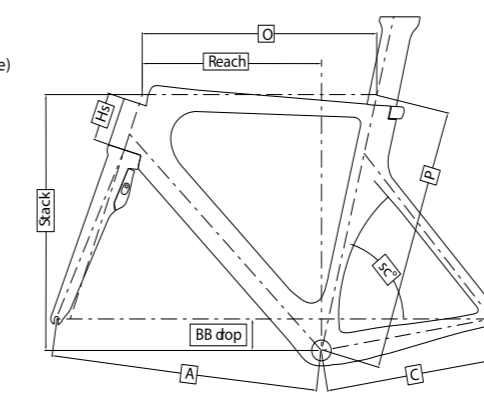
## K.ZERO

Frame	K-ZERO
Material	MONOCOQUE CARBON
Color	- KZBW - KZRD - KZAN
Sizes	XS - S - M - L

### SIZES

Size	Sc°	A	C	Hs	P	O	Stack	Reach
XS	77	576	384	78	449	509	507	393
S	77	594	384	85	508	520	513	402
M	77	597	384	105	528	528	533	407
L	77	621	384	123	548	551	554	424

- Size Size
- Pccs Seat tube length (centre to centre)
- Ps Seat tube length (centre to top)
- P Effective seat tube length
- Os Top tube length
- O Top tube length (horizontal)
- Sc° Seat angle
- Scs Seat cluster offset
- C Chainstay length
- A Front centre
- Hs Height head tube



K.ZERO



K.ZERO - KZBW



K.ZERO - KZRD



K.ZERO - KZAN





## CONTACT INFORMATION FOR DEALERS

CODAGEX NV  
ZANDBERGEN 10  
2480 DESSEL  
BELGIUM

T : +32(0)14/34.74.74

E : INFO@CODAGEX.BE

E : INFO@CODAGEX.NL

FACEBOOK.COM/CODAGEX.BIKES.PARTS

@CODAGEX

## CONTACT INFORMATION FOR CONSUMERS

CODAGEX XPERIENCE CENTER  
ZANDBERGEN 105  
2480 DESSEL  
BELGIUM

T : +32(0)14/33.77.63

E : XPERIENCECENTER@CODAGEX.BE

W : CODAGEX-XPERIENCE-CENTER.COM

FACEBOOK.COM/CODAGEXXPERIENCECENTER

@CDXPE

CODAGEXPE

CODAGEX BIKES & PARTS

*Come and visit our showroom!*

MORE INFORMATION : WWW.CODAGEX.BE

\* The assembly off the bikes in the pictures in this brochure may be different from the actual final assembly



# HOME OF THE BEST BIKE BRANDS



monday	10.00 - 12.00	13.00 - 17.00
tuesday	10.00 - 12.00	13.00 - 17.00
wednesday	10.00 - 12.00	13.00 - 17.00
thursday		13.00 - 20.00
friday	10.00 - 12.00	13.00 - 17.00
saturday	1 time a month open from 13.00 - 20.00	

**CODAGE** xperience  
CENTER

- adidas eyewear
- AKTIV8
- BiciSupport
- BKOOL Connect | Sport
- Campagnolo
- CERAMICSPEED
- challenge HANDMADE TIRES
- COLNAGO
- DMT
- EDLINE
- F53 FULL SPEED AERO
- GALFER BIKE
- GARMIN
- LIMAR THE RACING SPECIALIST
- Nalini
- prologo
- ROTHILD - SERVA CYCLING DEVICE
- SAPIM
- sportsbalm
- SPECIALITES
- TIME
- TRP
- Vision
- vittoria
- win2 SPORTS NUTRITION



*colnago.com*

