
ACCESSORY POWER™

**BG-D700
BATTERY
GRIP**

INSTRUCTION MANUAL

FREE PRODUCT REGISTRATION

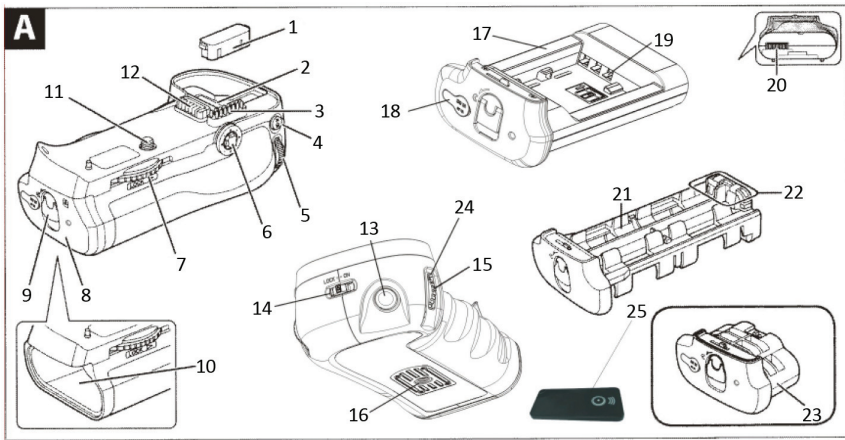
Protect your investment and take advantage of this free product warranty.

YOU MUST REGISTER WITHIN 30 DAYS

of purchase to receive full warranty coverage and access to special offers.

www.AccessoryPower.com/warranty

Product Diagram



- 1- Contact Cap
- 2- Holder for Nikon dSLR
Signal Contact Cover
- 3- Signal Contacts
- 4- Auto-Focus Button
- 5- Main Control Dial
- 6- Multi-Selector
- 7- Attachment Wheel
- 8- Battery Chamber Cover
- 9- Battery Chamber Latch
- 10- Battery Chamber
- 11- Mounting Screw
- 12- Power Terminals
- 13- Shutter-Release Button
- 14- Control Lock
- 15- Sub-Command Dial
- 16- Tripod Socket
- 17- EN-EL3e Battery Magazine
- 18- DC-In Jack
- 19- EN-EL3e Battery to Magazine
Terminals
- 20- EN-EL3e Battery Magazine
to Battery Grip Terminals
- 21- AA Battery Magazine
- 22- AA Battery Magazine
Power Terminals
- 23- BL-3 Battery-Chamber Cover (Op-
tional Feature ; NOT Included;
Please purchase from Nikon if
you wish to use this battery grip
with EN-EL4 batteries)
- 24- Infrared Remote Control
Receiver
- 25- Wireless Infrared Remote

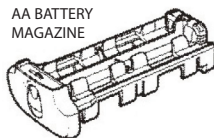
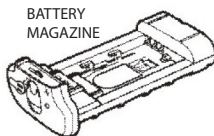
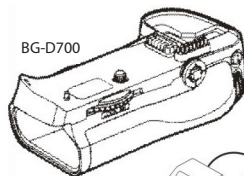
About BG-D700

Thank you for purchasing the Accessory Power BG-D700 Battery Grip for Nikon D300, D300S and D700 dSLR Cameras. This battery grip is uniquely constructed with an integrated IR Wireless Shutter Remote and easy to load battery chambers and magazines. This battery grip has been designed to accommodate and exceed the expectations of Professional Photographers and Recreational Enthusiasts alike. Please carefully read this manual before operating your new BG-D700 and keep it in a safe place for future reference. There are many helpful diagrams and troubleshooting instructions to ensure you can use the BG-D700 safely and to its fullest potential for years to come.

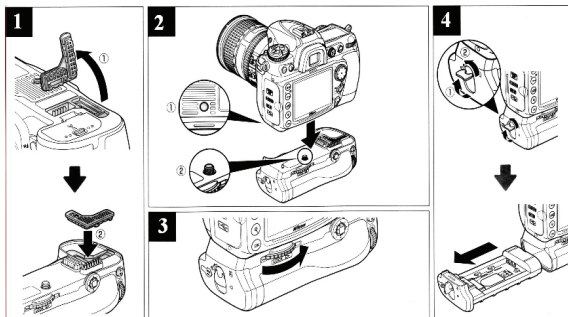
Quick Start Guide

- 1- Remove the signal contact cover from your Nikon dSLR Camera. Place the detached signal contact cover in the (2) Holder for Nikon dSLR Signal Contact Cover.
- 2- Remove the (1) Contact Cap from the (3) Signal Contacts of the BG-D700. Next, attach the BG-D700 to the bottom of your Nikon dSLR Camera.
- 3- Align the (11) Mounting Screw with the tripod socket on the bottom of your Nikon dSLR Camera. Once they are aligned, spin the (7) Attachment Wheel to the right. If you have trouble, please locate the word "LOCK" under the (7) Attachment Wheel. There is an arrow pointing in the correct direction for proper attachment.
- 4- Locate the (9) Battery Chamber Latch and turn it clockwise. You can then open the (8) Battery Chamber Cover.
- 5- Insert one EN-EL3e Li-Ion battery pack as shown in Figure 5.
- 6- If you wish to use an EN-EL4 battery, you can attach it with the (23) BL-3 Battery-Chamber Cover (sold separately by Nikon).
- 7- If you wish to use AA batteries, insert them into the (21) AA Battery Magazine as shown in Figure 7.

What's in the Box

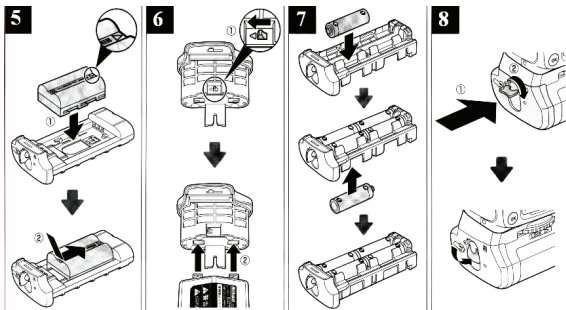


WIRELESS IR REMOTE



8- Insert the preferred battery magazine. Then, turn and lock the (9) Battery Chamber Latch. You can now supply your Nikon dSLR with power from the grip and utilize grip control functions.

9- For vertical shooting, switch the (14) Control Lock to the unlocked position. This will enable vertical controls. Vertical buttons and dials will function the same way as the OEM controls of your Nikon dSLR Camera.



Operating Instructions

Control Lock

The (14)Control Lock enables and disables the (6)Shutter-Release Button, (4)Auto-Focus Button, and (5)Main Control Dial and (13)Multi-Selector on the BG-D700 to prevent unintended use while shooting horizontally. Before using these vertical controls, release the (14)Control Lock. The (14)Control Lock is not a power switch, but only a means of toggling between horizontal and vertical shooting. The BG-D700's functionality and power is in sync with the power switch on your Nikon dSLR Camera. Please use your camera to toggle Power ON and OFF.

Shutter-Release Button and Command Dials

The BG-D700 is equipped with a (13)Shutter-Release Button, (5)Main Control Dial, and (6)Multi-Selector for shooting vertically. These controls perform the same functions as the corresponding controls on your Nikon dSLR Camera. Please refer to your Nikon's Guide to Digital Photography for more detailed information.

Auto-Focus Button

The BG-D700 is equipped with an alternate (4)Auto-Focus Button for shooting vertically. This button performs the same functions as on your Nikon dSLR Camera. Please refer to your Nikon's Guide to Digital Photography for more detailed information.

IR Wireless Remote Control Device

The included (25)Wireless Infrared Remote will allow you to wirelessly control the shutter on your Nikon dSLR Camera when the BG-D700 is connected. The range is up to 10 meters and there must be a clear line of site between the (25)Wireless Infrared Remote and the BG-D700 to ensure good transmission of the Infrared signal. This feature is ideal when using in combination with a tripod or when taking macro shots.

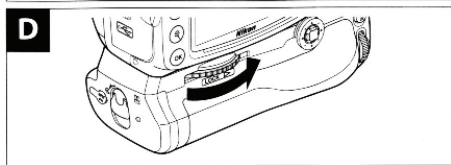
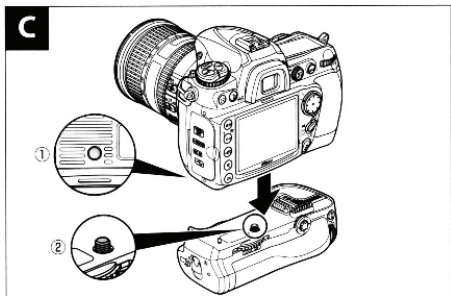
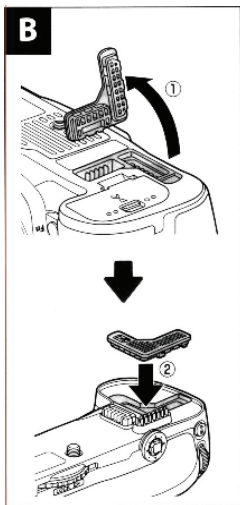
DC Car Charging

You can connect the included DC Car Charger to the (17)EN-EL3e Battery Magazine. Just plug the DC Barrel into your car's DC outlet, and you can charge your EN-EL3e battery on the go. Charging time is approximately 4 hours.

Attaching BG-D700

Before attaching the BG-D700, be sure that your Nikon dSLR Camera power is OFF, and that BG-D700's (14)Control Lock is in the "LOCK" position.

- 1 - Remove the (1)Contact Cap from the BG-D700. Be sure to replace the cap when the BG-D700 is not in use. The (1)Contact Cap can be threaded onto your camera strap when removed from the BG-D700.
- 2 - Open your Nikon dSLR Camera's signal contact cover. Remove the signal contact cover from your camera (See Figure B.1). Locate the (2)Holder for Nikon dSLR Signal Contact Cover in which your signal contact cover can be placed (See Figure B.2).
- 3 - Connect the BG-D700 to your Nikon dSLR Camera by aligning the (11) Mounting Screw with the camera's tripod socket. (See Figure C)
- 4 - Firmly tighten the (7)Attachment Wheel by rotating it in the direction shown by the LOCK Arrow. (See Figure D)



Inserting Batteries

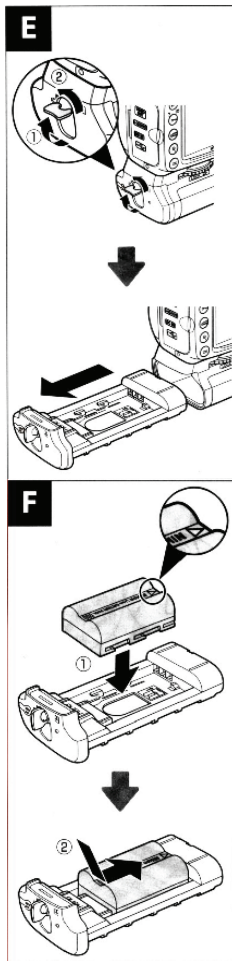
The BG-D700 can be used with one EN-EL3e Rechargeable Li-ion battery, AA batteries, or with an EN-EL4 Rechargeable Li-ion battery when using an OEM Nikon BL-3 battery chamber cover. Before inserting batteries, be sure that the camera is OFF and that BG-D700 (14)Control Lock is in the "LOCK" position.

Turn the (9)Battery Chamber Latch on the BG-D700 and open the (8)Battery Chamber Cover and battery magazine (See Figure E).

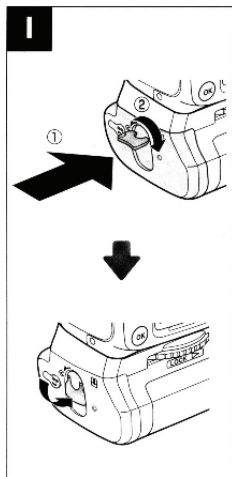
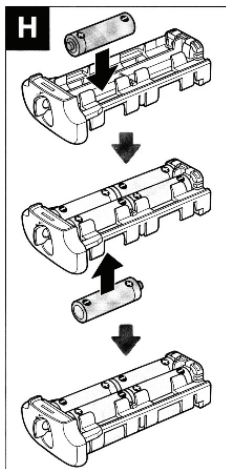
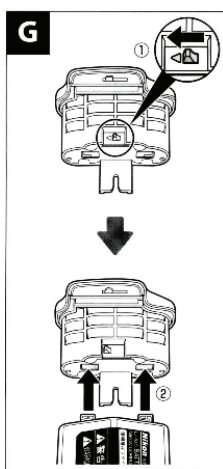
For use with one EN-EL3e battery, insert the battery into the (17)EN-EL3e Battery Magazine (See Figure F).

For use with AA batteries, insert the batteries into the (21)AA Battery Magazine (See Figure H). Please be sure that the "+" and "-" are correctly aligned. The BG-D700 has the ability to work with a Nikon BL-3 Battery Compartment Cover and EN-EL4 batteries (See Figure G). This is an optional feature and is not required to fully utilize the BG-D700.

Once you have prepared the correct battery magazine, insert and firmly close the (8)Battery-Chamber Cover. Next, turn the (9)Battery Chamber Latch until it is in the full locked position (See Figure I).



Turn your Nikon dSLR Camera's power ON and check the battery level in the control panel or viewfinder. If the EN-EL3e batteries are not 100% full, battery levels can be verified with the battery info option in your camera setup menu.



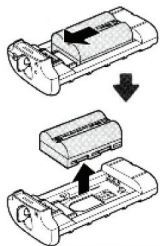
Removing Batteries

To remove the BG-D700, turn your Nikon dSLR Camera's power OFF and set the (14)Control Lock to the "L" position and then follow the above steps in the reverse order. Be sure to reconnect the (8)Battery Chamber Cover to your Nikon dSLR Camera.

To remove batteries from the BG-D700, please follow the diagram on the next page.

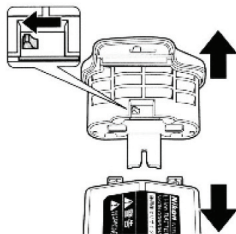
EN-EL3e

Slide the battery toward the button. The battery can then be removed as shown.



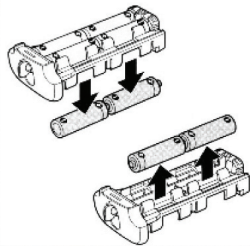
EN-EL4a/EN-EL4

Slide the battery release in the direction indicated by the arrow (-) and remove the battery-chamber cover.



AA Batteries

Remove the batteries as shown. Be careful not to drop the batteries when removing them from the holder.



Battery Levels

Battery Level

The camera displays battery level as follows:

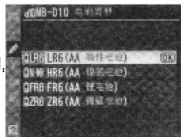
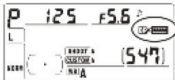
EN-EL3e, EN-EL4a, and EN-EL4 Batteries

Control panel	Viewfinder	Description
	—	Battery fully charged.
	—	Battery partially discharged.
		Low battery. Prepare for spares.
		Battery is empty. Shutter release is disabled.

The [Battery Order]

option in the camera Custom Settings menu [Group D] can be used to change the order in which the batteries are used. When the camera is drawing power from BG-D700, a BP icon is displayed in the control panel. To ensure the camera shows the correct battery level, when AA batteries are used, just choose the appropriate option for the [MB-D10 battery type] option in the camera's Custom Settings menu [Group D].

This will help ensure the best operation of your camera's battery level function.



AA Batteries

Control panel	Viewfinder	Description
	—	Battery fully charged.
		Low battery. Prepare for spares.
		Battery is empty. Shutter release is disabled.

Option	Battery type
LR6 (AA alkaline)	AA alkaline (LR6)
HR6 (AA Ni-MH)	AA Ni-MH (HR6)
FR6 (AA lithium)	AA Lithium (FR6)
ZR6 (AA Ni-Mn)	AA nickel-manganese (ZR6)

Troubleshooting

If you are having trouble attaching the BG-D700 to your Nikon dSLR Camera, please try the following:

- Be sure that you tighten the (11) Mounting Screw on the BG-D700 into the tripod socket on the bottom of your Nikon dSLR Camera. You may tighten the connection between BG-D700 and your Nikon Camera by twisting the (7) Attachment Wheel to the right, following the arrow.
- Please be sure that you are attempting to connect the BG-D700 with a Nikon D300, D300S, or D700 dSLR Camera.

If you are having trouble getting power from the BG-D700, please try the following:

- Verify a proper connection by carefully repeating the instructions for attaching BG-D700 to your Nikon dSLR Camera. Completely remove the BG-D700 from your Nikon dSLR Camera, and then reattach it. Please keep in mind that you must tighten the (7) Attachment Wheel firmly.
- Check to make sure that the batteries have been properly inserted.
- If you are using AA rechargeable batteries, please make sure that all "+" and "-" signs are aligned correctly.
- Make sure that the batteries you've inserted have a charge.
- Double check that the power to your Nikon dSLR Camera is ON. The BG-D700 does not have a power switch, as it has been uniquely integrated with the power function on your camera.

Vertical Shutter Button and other Vertical Functions are not working:

- Make sure the (14) Control Lock is in correct position. Refer to the section on "Control Lock" in the beginning of this manual. The vertical control features on the BG-D700 act the same as the OEM buttons on your Nikon dSLR Camera. Please consult your Nikon User's Manual for more details.

Cautions

- Keep in a safe place free from dust, liquid and extreme temperatures
- Only use this device with the recommended power sources
- Keep out of reach of small children
- When not in use, please disconnect batteries or power sources

Product Specifications

Power Source: One EN-EL3e equivalent rechargeable Li-Ion battery pack ; Alkaline, Lithium, NiMn or Ni-MH Rechargeable AA Batteries

Optimum Operating Temperature: 0-+40°C (+32-140°F)

Dimensions: Approximately 138mm x 73.5mm x 110mm / 5.4in x 2.9in x 4.3in

Weight: Approximately 265g(9.4oz), excluding batteries



Please Always Recycle



ACCESSORY POWER
WESTLAKE VILLAGE, CALIFORNIA

WWW.ACCESSORYPOWER.COM
MADE IN CHINA

(C) 2010 ACCESSORY POWER. ALL TRADEMARKS AND BRAND NAMES ARE THE PROPERTY OF THEIR OWNERS. DO NOT OPEN OR DISPOSE OF IN FIRE OR SHORT CIRCUIT.