

Bianchi Vending Group - Spare Parts  
Catalog related to :

-  **Coffee Machines**
-  **BVM 952 - Free Standing**
  -  **BV952ES05GG - BVM952 E5S MC DM PD**

## Summary

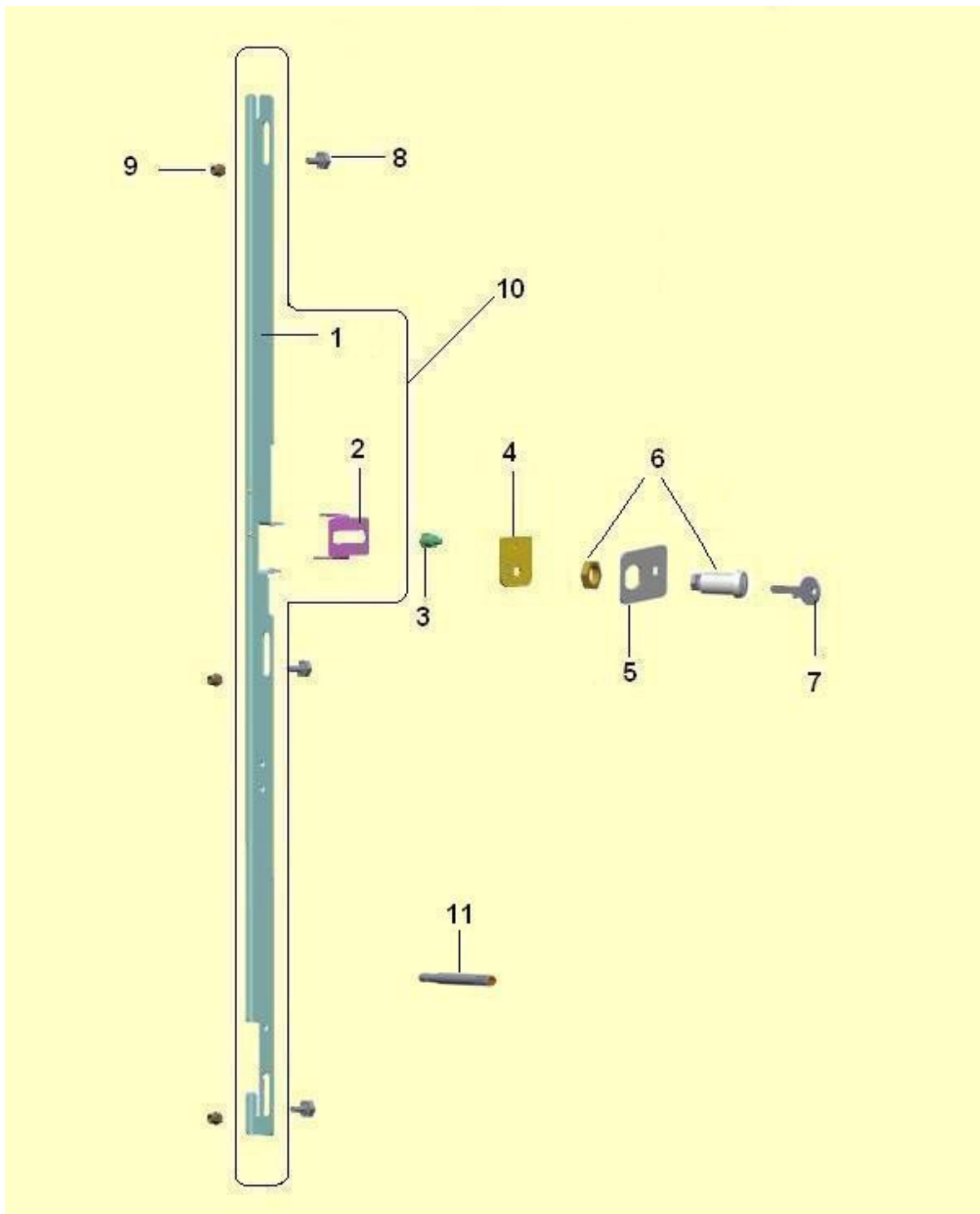
<b>Coffee Machines   BVM 952 - Free Standing   BV952ES05GG - BVM952 E5S MC DM PD</b>	<b>1</b>
<b>Coffee Machines   BVM 952 - Free Standing   BV952ES05GG - BVM952 E5S MC DM PD   DOOR</b>	<b>2</b>
LOCK (914)	3
DOOR EXTERNAL COMPONENTS (982)	5
DOOR INTERNAL COMPONENTS (983)	7
INTRODUZIONE E RECUPERO MONETA (985)	9
<b>Coffee Machines   BVM 952 - Free Standing   BV952ES05GG - BVM952 E5S MC DM PD   CABINET</b>	<b>11</b>
PARTI DI COMPLETAMENTO (927)	12
CABINET AND PARTS (1011)	14
<b>Coffee Machines   BVM 952 - Free Standing   BV952ES05GG - BVM952 E5S MC DM PD   C/O ESPRESSO - SOLUBILI</b>	<b>16</b>
C/O CASSETTO (920)	17
GRINDER+DOSER SUPPORT ASSY - PRODUCT CANISTERS MIXERS (1013)	19
<b>Coffee Machines   BVM 952 - Free Standing   BV952ES05GG - BVM952 E5S MC DM PD   ESPRESSO ASSEMBLY</b>	<b>21</b>
MOTORIDUTTORE GRUPPO CAFFE' (483)	22
ASS. CALDAIA ESPRESSO-SOLUBILE 5 EL-VALV. (921)	24
COMPONENTI CALDAIA (922)	26
GRUPPO CAFFE' PLASTICA C/IMBUTO (1005)	28
TRAMOGGIA CAFFE' DX/SX (1014)	30
<b>Coffee Machines   BVM 952 - Free Standing   BV952ES05GG - BVM952 E5S MC DM PD   INSTANT ASSEMBLY</b>	<b>32</b>
SUPPLEMNT PARTS (824)	33
ASS. SCATOLA DOS. 2/R PROL-221MM (871)	35
ASS. SCATOLA DOS. 1/R PROL-221MM (900)	37
COMPONENTI SCATOLA ORZO/CAFFE (908)	39
MIXERS COMPONENTS (923)	41
ASS. SCATOLA DOSATRICE S/R PROL-221 MM (986)	43
C/O SCATOLA ORZO/CAFFE BV952 (1020)	45
<b>Coffee Machines   BVM 952 - Free Standing   BV952ES05GG - BVM952 E5S MC DM PD   PRODUCT DELIVERY</b>	<b>47</b>
CUPS TURRET ASSY AND CUPS DISPENSER (769)	48
DISTRIBUTORE PALETTE (864)	50
CUPS STATION (915)	52
SUGAR NOZZLES SUPPRT ASSY (1016)	54
<b>Coffee Machines   BVM 952 - Free Standing   BV952ES05GG - BVM952 E5S MC DM PD   ELECTRICS &amp; ELECTRONICS</b>	<b>56</b>
ELECTRIC PANEL (1017)	57
<b>Coffee Machines   BVM 952 - Free Standing   BV952ES05GG - BVM952 E5S MC DM PD   HYDRAULIC COMPONENTS</b>	<b>59</b>
PIPES(68)	60
COMPONENTI EL-VALV. 2 VIE DC OLAB (929)	62
COMPONENTI EL-VALV. 3 VIE OLAB (930)	64
COLLEGAMENTI IDRAULICI - ELETTROV. INGRESSO ACQUA (1018)	66
<b>Other tables</b>	<b>68</b>
PISTON ASSEMBLY(7)	69
COFFEE DOSER ASSEMBLY (539)	71
CUPS DISPENSER PARTS (628)	73
AIR BREAK ASSY W/MICRO SW (784)	75

MASTER BOARD - from serial number 07335378	77
COFFEE GRINDER - DOSER (817)	79
GRINDER WITH VERTICAL MOTOR (816)	81
WATER PUMP - FLOW SENSO (830)	83
KEYPAD - DISPLAY (984)	85

Tables of group :

-  **Coffee Machines**
-  **BVM 952 - Free Standing**
  -  **BV952ES05GG - BVM952 E5S MC DM PD**
    -  **DOOR**

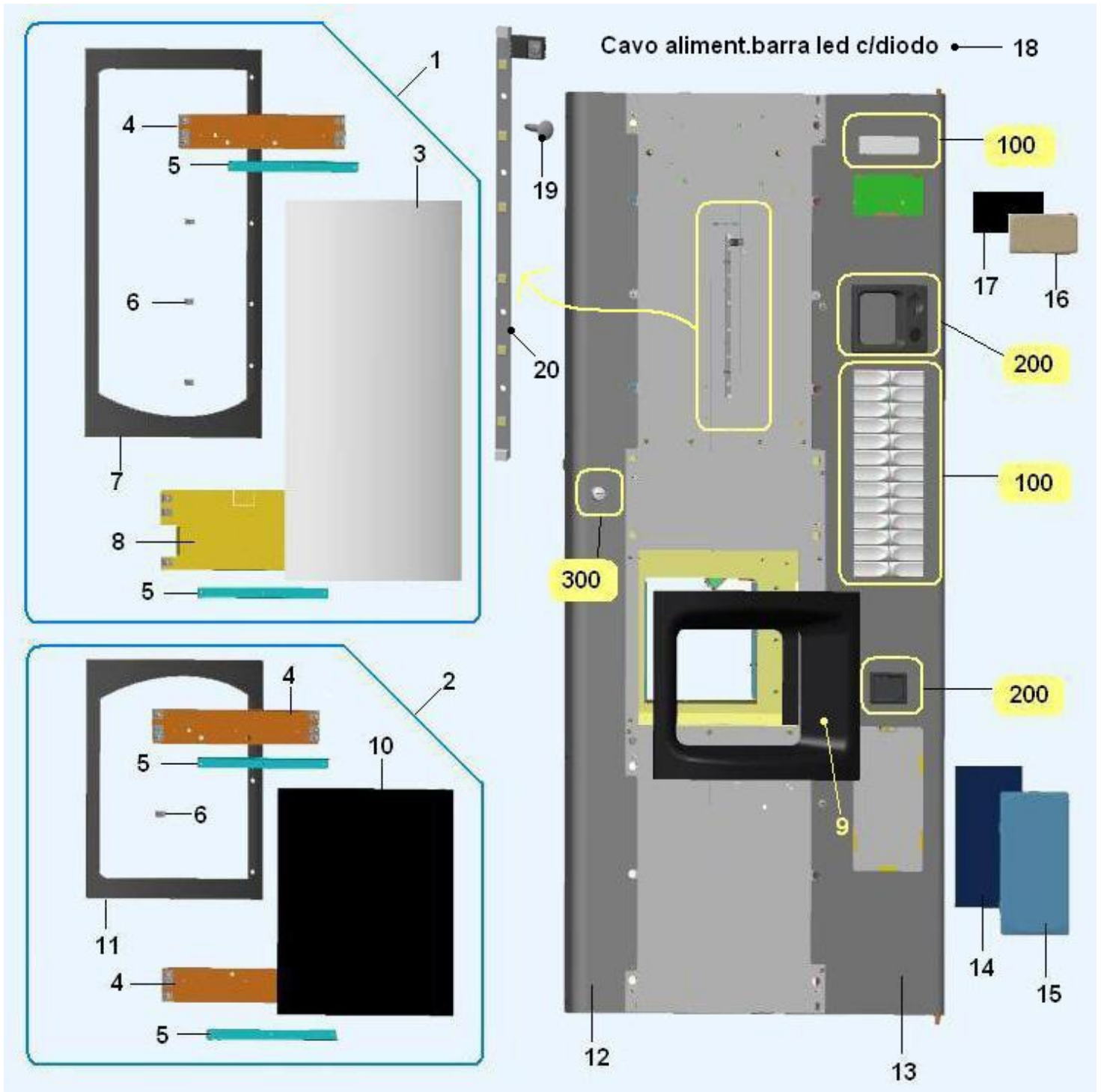
Table: LOCK (914)



## LOCK (914) - Items detail

Position	SPARE PARTS CODE VARIANT	Accessories	DESCRIPTION	For each main item multiply q.ty by
1	01826131		door lock rod	
2	01826211-01		BV971 rod moving plate	
3	12016116		drawer wheel pin	
4	01768221		BVM971 Rielda lock hook	
5	01904811		BV952/972 lock reinforcement	
6	41029616		Rielda standard lock	
7	41029836		Rielda's lock key EMK handle	
8	19055521		lock rod screw	
9	34118416		INSERTO FILM 5 ESAG.	
10	01857350		ASS. ASTA SERRATURA	
11	05107735M37		brown drop tray knob	

Table: DOOR EXTERNAL COMPONENTS (982)

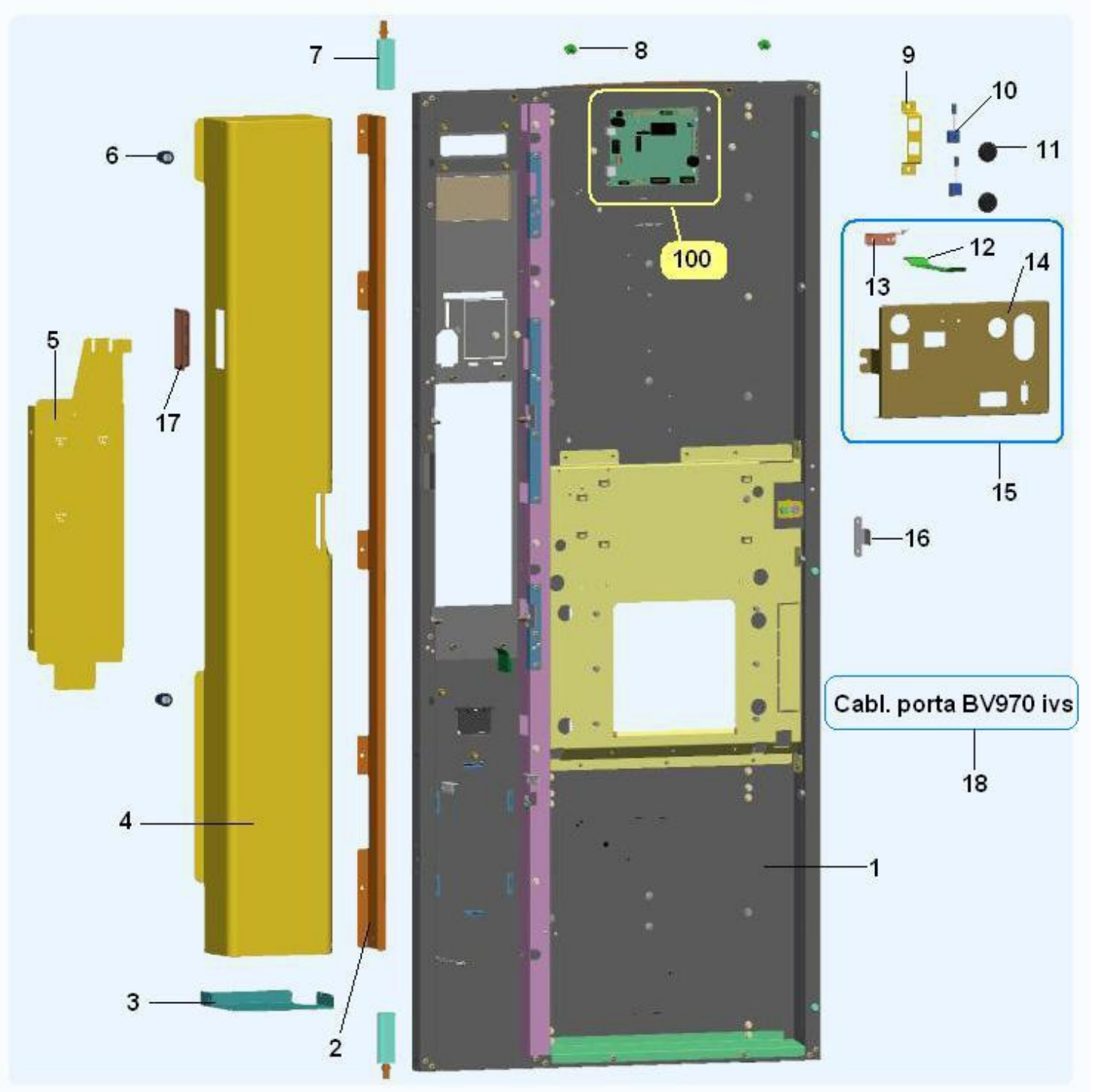


## DOOR EXTERNAL COMPONENTS (982) - Items detail

Position	SPARE PARTS CODE VARIANT	Accessories	DESCRIPTION	For each main Item multiply q.ty by
1	01855820		ASS.CORN.LEX.SUP.BV952 REST/08	
2	01923920		ASS.CORN.LEX.INF.95/972REST/08	
3	05245011		LEXAN SERIGRAF. BV952 SUP.	
3	05270711		LEXAN BVM952 SERENA	
4	01785411-02L09		TAPPO CORNICE LEXAN NERO	
5	01804811		Lexan fixing plate	
6	34511726		elastic plate M5	
7	01785321L09		CORNICE LEXAN SUP.NERO BV952	
8	01785511-02L09		BASE CORNIC. LEXAN SUP. NERO	
9	05231915M09		black cup station window hole	
10	05232111		lower serigr. lexan	
10	05270411		LEXAN BV95/972 LOVE INF	
11	01785711L09		CORNICE LEXAN INFER. NERO	
12	01856211-01P54		COVER LATO SERRATURA IX BV952	
13	01856311-02P54		BV952 IX hinge side cover	
14	30263821		black panel lower showcase BVM	
15	05232625M00		transp.info panel h=230 BVM951	
16	05233715M00		transp.info upper panel BVM951	
17	30263811		black panel upper showcase BVM	
18	22190616-01		CAVO ALIMENT.BARRA LED C/DIODO	
19	33066316		card spacer	
20	26055416		BARRA 6 LED 260MM 24VDC	
100	See Table "KEYPAD - DISPLAY (984)" - Pag. 85			
200	See Table "INTRODUZIONE E RECUPERO MONETA (985)" - Pag. 9			
300	See Table "LOCK (914)" - Pag. 3			



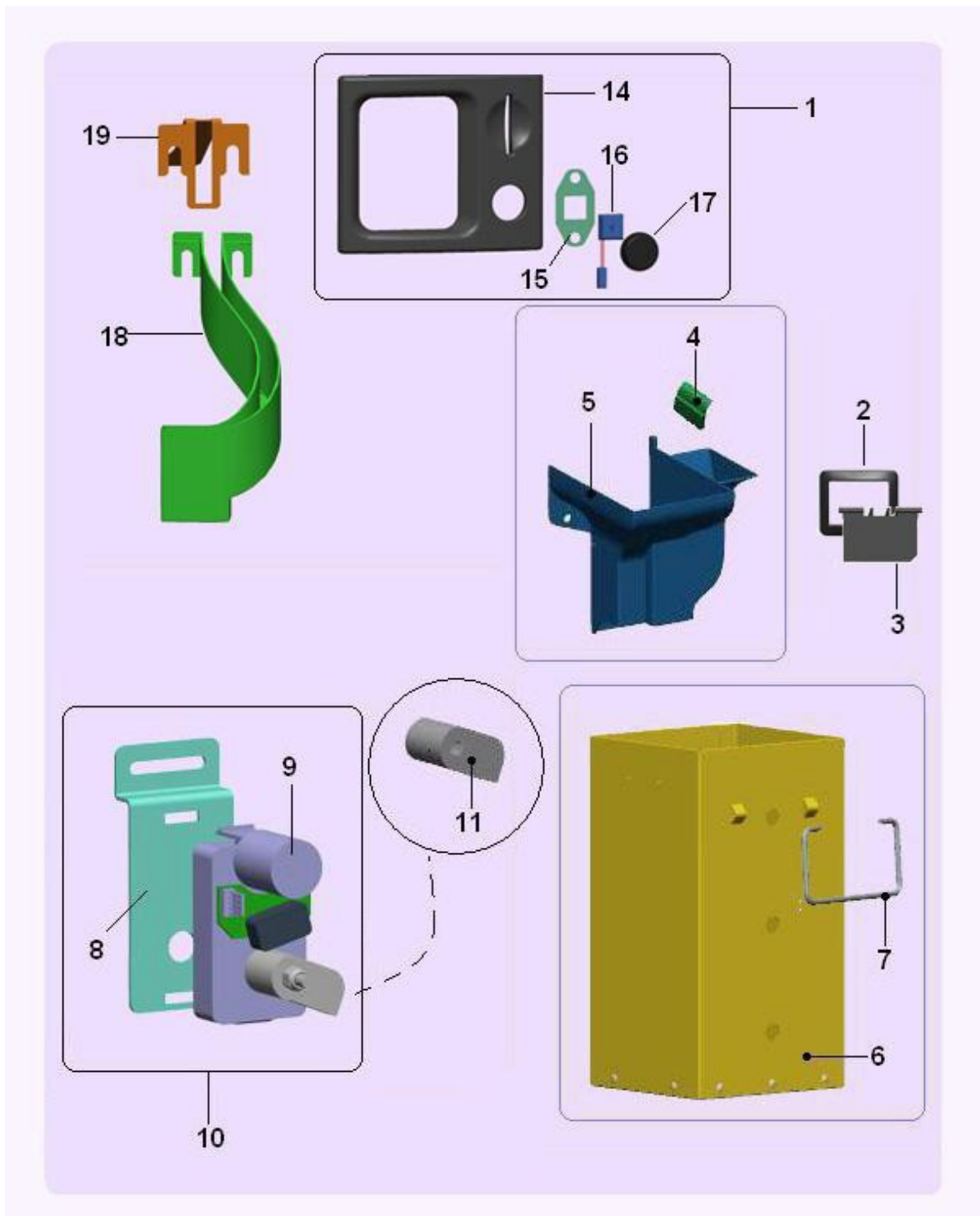
Table: DOOR INTERNAL COMPONENTS (983)



## DOOR INTERNAL COMPONENTS (983) - Items detail

Position	SPARE PARTS CODE VARIANT	Accessories	DESCRIPTION	For each main Item multiply q.ty by
1	01855122-01		BVM952 riveted door assy	
2	01856011		BV952 pay system cover stirrup	
3	01826411-01		Payment system bottom protect.	
4	01856111-01		COPERTURA SISTEMA PAGAM.BV952	
5	01825812-01		BVM972 coin mech. support assy	
6	20022316		Cup container door round magne	
7	21011042		BV971 IVS hinge guide assy	
8	19117016-01		BVM952 roof pin	
9	01641411		ANT-IMQ service button support	
10	26019482		service button	
11	05232315M18		red changegiver button	
12	01812611-01		Cup turret holder	
13	01812911-01		SQUADR.FERMO ROTAZ. TAMBURO	
14	01812211-01		COPERTURA SCHEDA CPU	
15	01813012-01		CPU board cover assy	
16	01827311-01		BV971 switch plate	
17	05238516		PLASTIC HANDLE SOUTHCO BV971	
18	22177812-01		BV970 IVS door wiring	
100	See Table "MASTER BOARD - from serial number 07335378" - Pag. 77			

Table: INTRODUZIONE E RECUPERO MONETA (985)



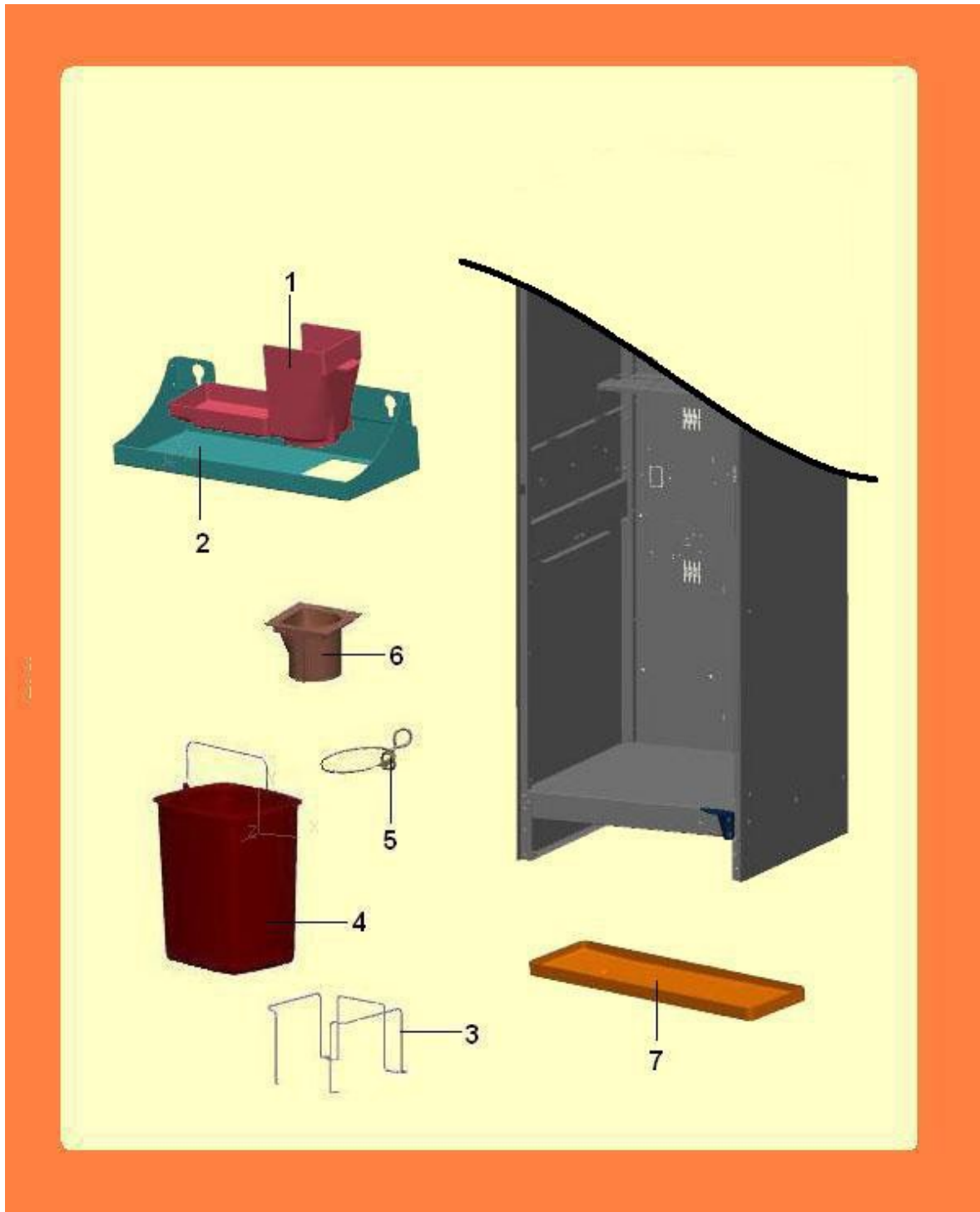
## INTRODUZIONE E RECUPERO MONETA (985) - Items detail

Position	SPARE PARTS CODE VARIANT	Accessories	DESCRIPTION	For each main Item multiply q.ty by
1	05249010		BVM coin mask w/button assy	
2	05246715M30		coin recovery frame	
3	05083115-01M30		coin recovery door - graphite	
4	05118241		pipe protection profile	
5	05233615-01M37		coin recovery channel	
6	01830112-02		BV971 IVS coin box assy	
7	12028011		coin box handle	
8	01799011-01		Changegiver motor support	
9	20031216-01		change giver gearmotor	
10	96065520		coin return motor assembly	
11	05192815-02M78		CAMMAX ATTUATORE RENDIMON.GRIG	
14	05232215M30		coin introd+m/s frame graphite	
15	01796011		button support plate	
16	26019492		change giver button	
17	05232315M09		black change giver button	
18	05233515M37		Coin Introduction slide	
19	01807111		coin slide roof	

Tables of group :

-  **Coffee Machines**
-  **BVM 952 - Free Standing**
-  **BV952ES05GG - BVM952 E5S MC DM PD**
-  **CABINET**

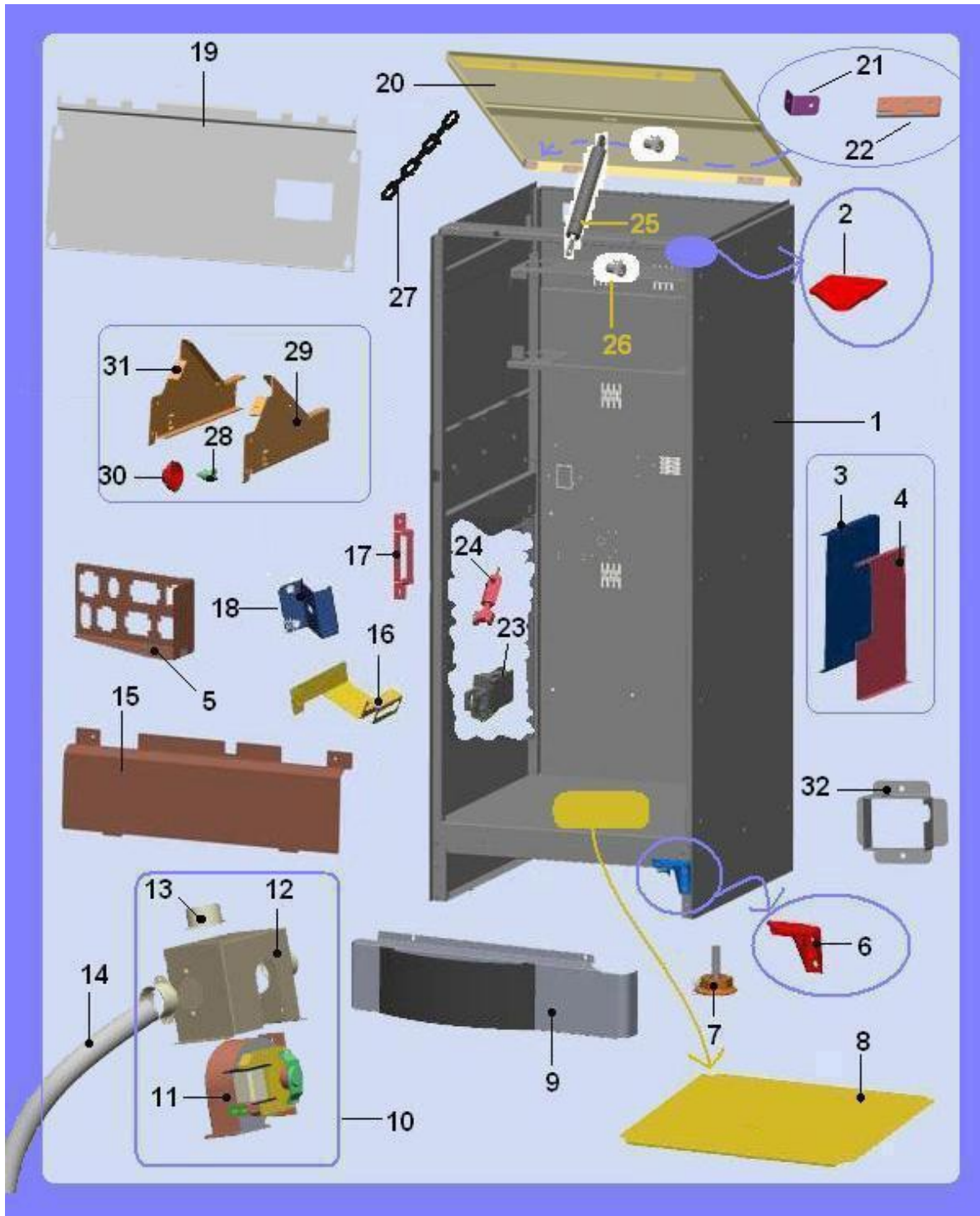
Table: PARTI DI COMPLETAMENTO (927)



## PARTI DI COMPLETAMENTO (927) - Items detail

Position	SPARE PARTS CODE VARIANT	Accessories	DESCRIPTION	For each main Item multiply q.ty by
1	05157415		iris waste coffee convoyer	
2	01828511-01		waste coffee box sup BV971 IVS	
3	07034411-02		Bucket spring	
4	05137316		bucket	
5	21056016		waste coffee bag spring	
6	05168115-01M09		coffee waste bag spring	
7	05245615M37		BV972 brown express/instant dr	

Table: CABINET AND PARTS (1011)





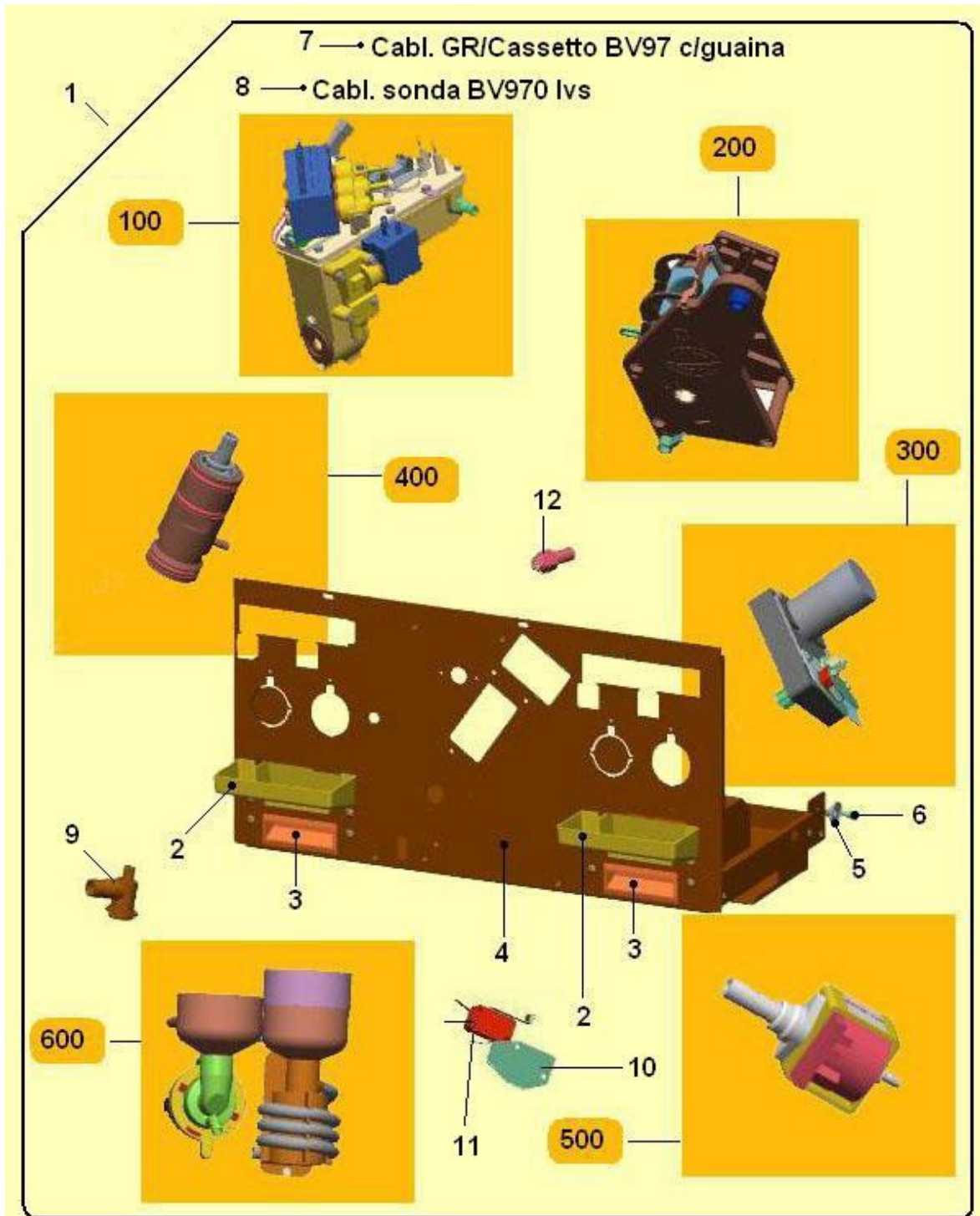
## CABINET AND PARTS (1011) - Items detail

Position	SPARE PARTS CODE VARIANT	Accessories	DESCRIPTION	For each main Item multiply q.ty by
1	01852322-01P48		ASS. CASSONE BVM 952 GRAF	
2	01864411		BV952 upper hinge sheet	
3	01834211-02		COPERTURA SX SUPPORTO CASSETTO	
4	01828211-01		COPERTURA DX SUPPORTO CASSETTO	
5	01828411-01		BV971 IVS connectors plate	
6	01823011-01		BVM971 IVS lower hinge	
7	21057212		foot.assy (m10x40) - -bvm971	
8	01841911P54		BV 971 IVS base protection	
9	01831112-01		BV971 IVS skirting board assy	
10	01831320-01		ASS. ASPIRATORE BVM 972 SOL.	
11	20006316-01		aspirator w/spacer (ant-sir-or	
12	01828741-01		LAM.ASPIRATORE 2 VIE BV972 SOL	
13	05071915		aspiration pipe connection	
14	09031113		28x33 Leviflex pipe	
15	01854111-02		COPERT.SCAT. ELETTRICA BV952	
16	01834511-02		GUIDA x TUBI SCARICO	
17	01844011		Switch support	
18	01828111-02		CARDINE SERRATURA BV 971 IVS	
19	01854211-03		COPERT.POSTERIORE BV952 ES	
20	01853122-01P48		ASS. TETTO BVM 952	
21	01922011		SQUADRETTA PER TETTO	
22	21057116		CERNIERA MOBILETTO BV921	
23	26016726		safety switch	
24	05097215-02M09		Service key XT Clixon black am	
25	12047916		BV952 VAPSINT gas spring	
26	19117811		PERNO MOLLA GAS	
27	21015816		Chainlet assy	
28	12016116		drawer wheel pin	
29	01816211		BV971 IVS right tilting guide	
30	05116416		vega drawer wheel	
31	01816311		BV971 IVS left tilting guide	
32	01890411		Cable power supply box	

Tables of group :

-  **Coffee Machines**
-  **BVM 952 - Free Standing**
-  **BV952ES05GG - BVM952 E5S MC DM PD**
-  **C/O ESPRESSO - SOLUBILI**

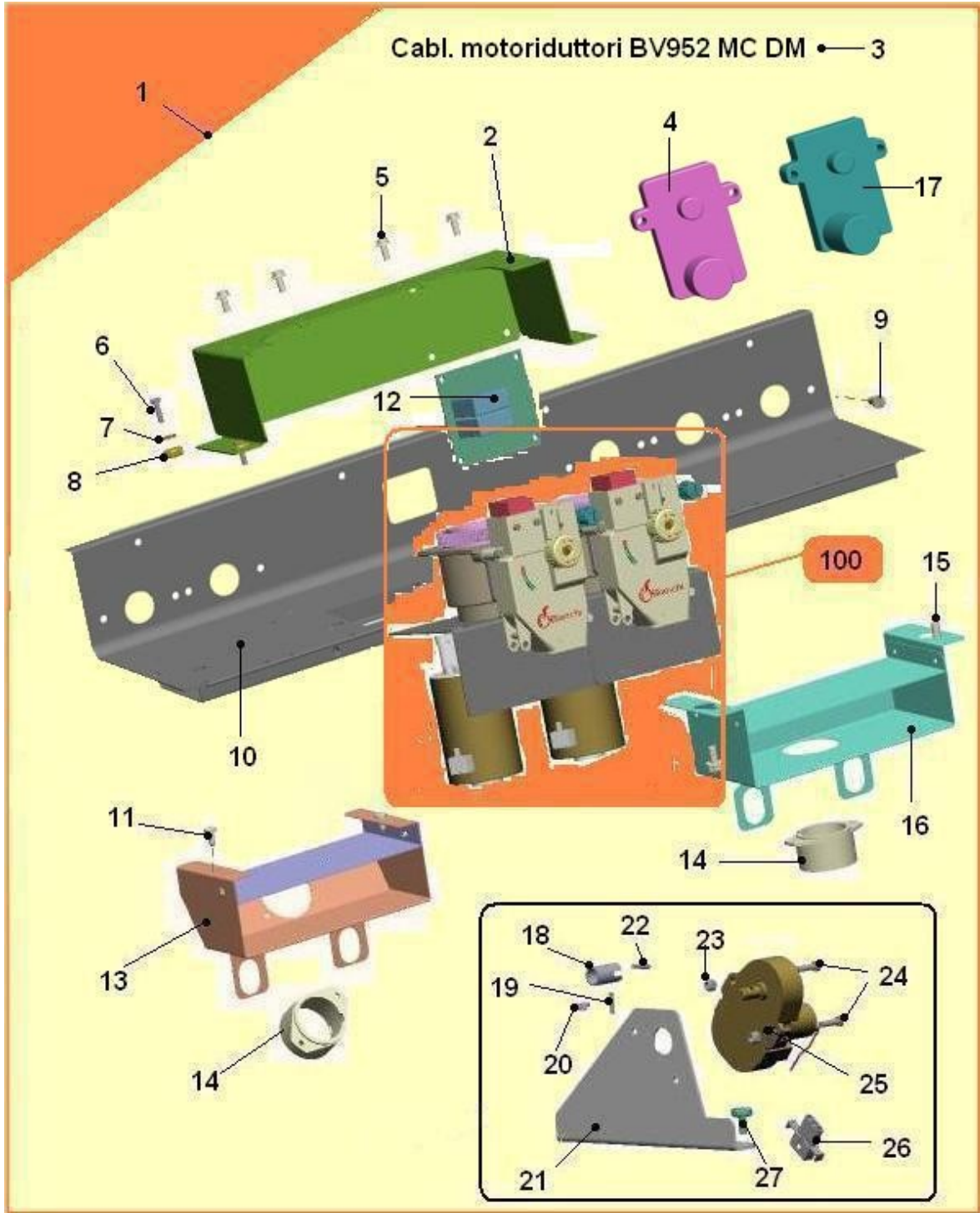
Table: C/O CASSETTO (920)



## C/O CASSETTO (920) - Items detail

PosItion	SPARE PARTS CODE VARIANT	Accessories	DESCRIPTION	For each main Item multiply q.ty by
1	96069910-04		C/O CASSETTO BV952 MC DM E5S	
2	05117415M37		DOUBLE DROP COLLECTION TRAY BR	
3	05238516		PLASTIC HANDLE SOUTHCO BV971	
4	01831432-03		ASS.LAM.CASSETTO BV972 DC DM	
5	05116416		vega drawer wheel	
6	12016116		drawer wheel pin	
7	22177912-02		BV97 drawer gr.cable w/sheath	
8	22178412		BV971 IVS PROBE WIRING	
9	05145815M37		drain nozzle	
10	08004111		microswitch insulation	
11	26005136		microswitch with wheel	
12	19056011		group fixing pin	
100	See Table	"ASS. CALDAIA ESPRESSO-SOLUBILE 5 EL-VALV. (921)"	- Pag. 24	
200	See Table	"GRUPPO CAFFE' PLASTICA C/IMBUTO (1005)"	- Pag. 28	
300	See Table	"MOTORIDUTTORE GRUPPO CAFFE' (483)"	- Pag. 22	
400	See Table	"PISTON ASSEMBLY(7)"	- Pag. 69	
500	See Table	"WATER PUMP - FLOW SENSO (830)"	- Pag. 83	
600	See Table	"MIXERS COMPONENTS (923)"	- Pag. 41	

Table: GRINDER+DOSER SUPPORT ASSY - PRODUCT CANISTERS MIXERS (1013)



## GRIINDER+DOSER SUPPORT ASSY - PRODUCT CANISTERS MIXERS (1013)

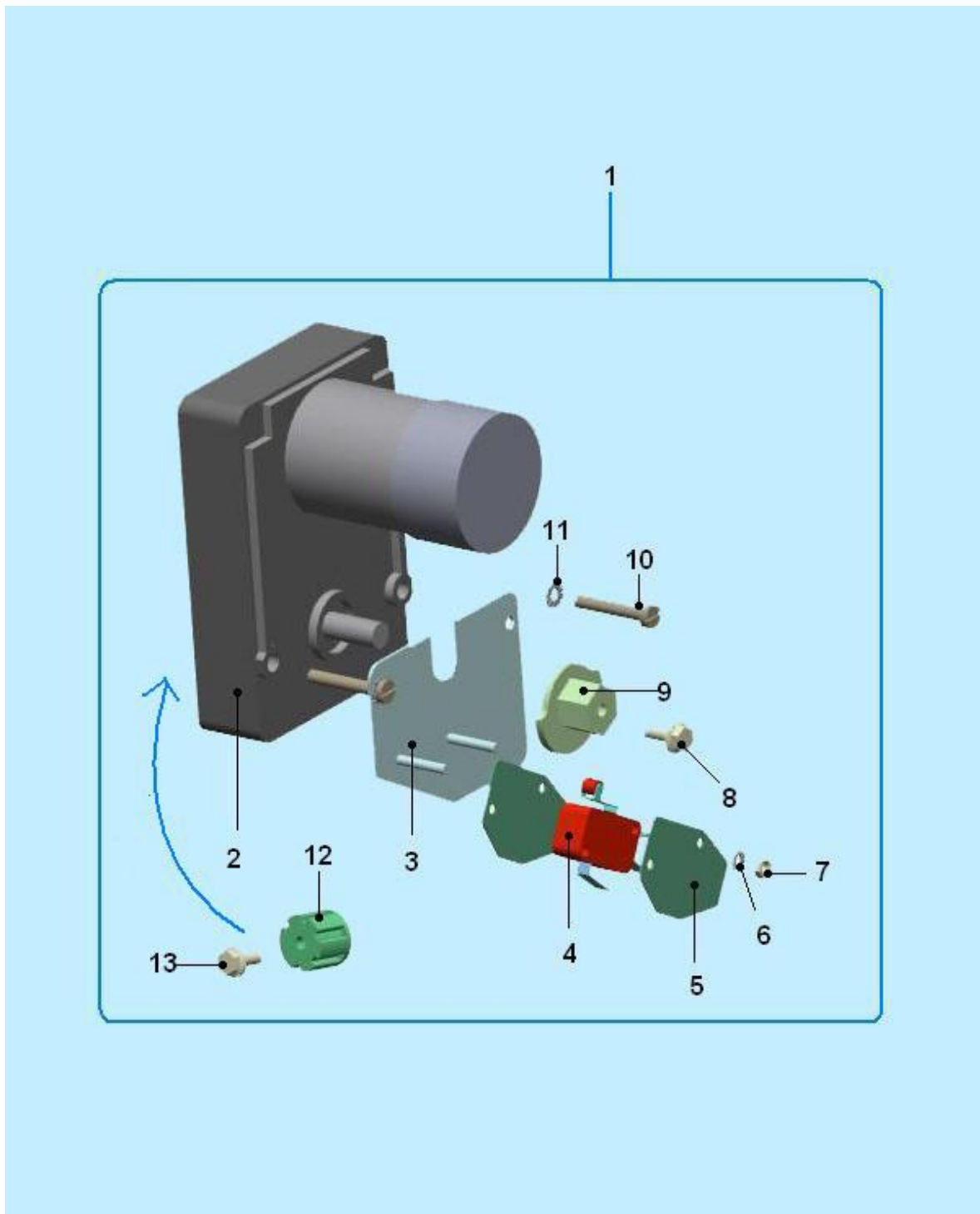
### - Items detail

Position	SPARE PARTS CODE VARIANT	Accessories	DESCRIPTION	For each main Item multiply q.ty by
1	96067270-01		C/O MACINADOS/PROD.MC DM BV952	
2	01871811		SOSTEGNO MACININI BVM972 DC DM	
3	22183532		CABL.MOTORIDUTTORI.BV952 MC DM	
4	20016916-02		MOT.24VDC 40G/M wout/CABL.PLS	
5	32123016		VITE TECR M5X12	
6	32055516		M4x16 hex screw	
7	35160316		d. 4,2 IX self locking washer	
8	23004086		cable damper(6*15 - rubber)	
9	32130616		6MAx16 screw	
10	01829121-01		PIASTRA SUPP.SCAT/PROD.BV972DM	
11	32222856		3.9x9.5 self-tapping screw	
12	26050516		Double grinder board	
13	01871712		ASS.SCATOLA SUPP. ASPIRAZ. DM	
14	05071915		aspiration pipe connection	
15	32122916		M5x10 screw	
16	01829021-01		SUPP.SCAT.ASPIRAZION.BV972 DC	
17	20017016-02		100 rpm 24V DC gearmotor w/o c	
18	19068811		regulation lever bush	
19	33053046		3,14 pin	
20	19054411		rivet bush	
21	01760021		PIASTR.SUPP.MOTORE REGOL.2 MAC	
22	33053146		3x16 pin	
23	34110216		4m self-locking nut	
24	32060816		4MAx16 TCscrew	
25	20018426-01		24VDC 12RPM 2,2nF 100V gearmot	
26	23009616		3ways female connector	
27	19043521		fixing knob	
100	See Table "COFFEE GRINDER - DOSER (817)" - Pag. 79			

Tables of group :

-  **Coffee Machines**
-  **BVM 952 - Free Standing**
-  **BV952ES05GG - BVM952 E5S MC DM PD**
-  **ESPRESSO ASSEMBLY**

Table: **MOTORI DUTTORE GRUPPO CAFFE' (483)**

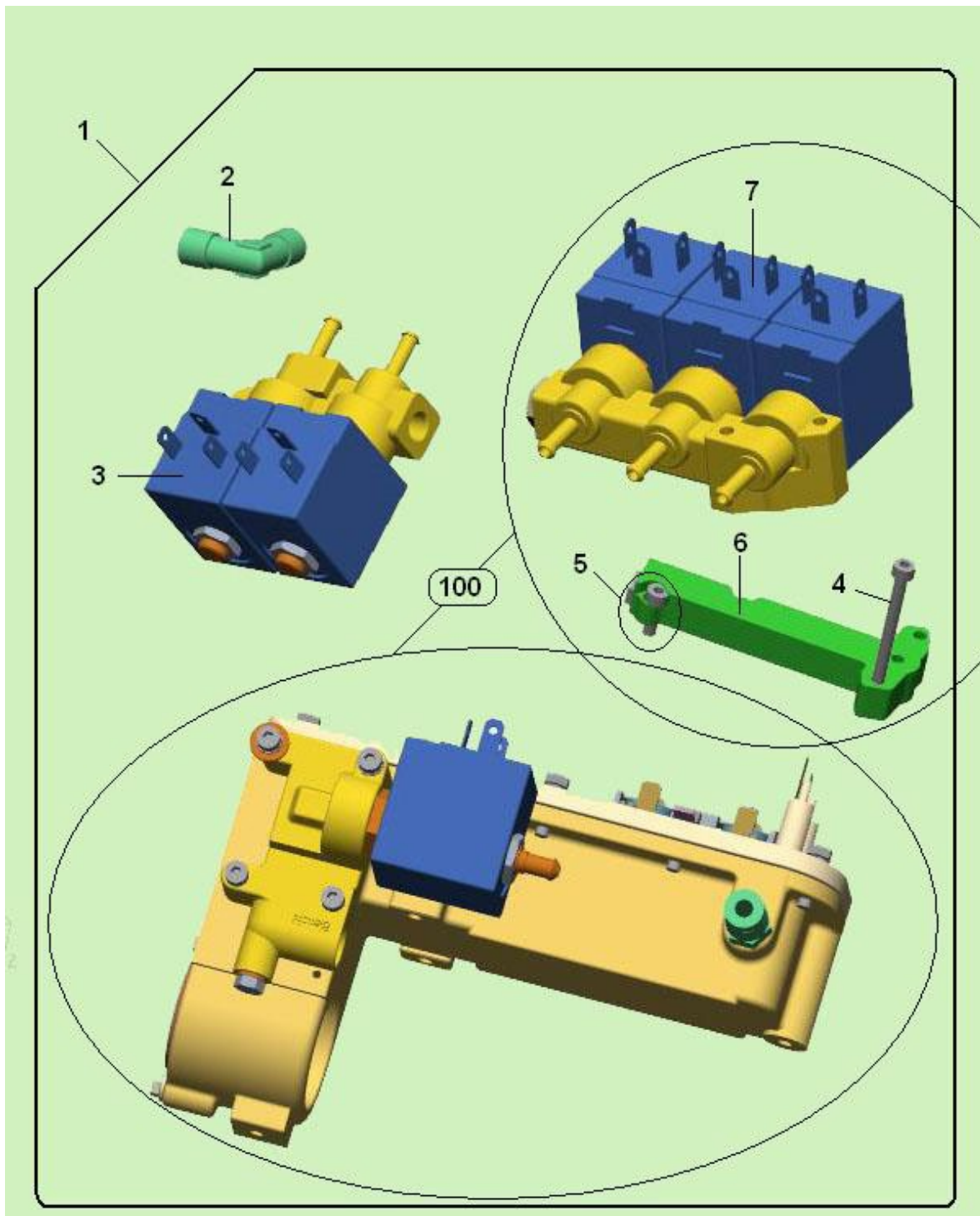




## MOTORI DUTTORE GRUPPO CAFFE' (483) - Items detail

Position	SPARE PARTS CODE VARIANT	Accessories	DESCRIPTION	For each main item multiply q.ty by
1	20016810-03		Motor assy w/24V cable coffee	
2	20014946-02		24VDC12rpm cof.group gearmotor	
3	01484212		bracket for micro	
4	26005126		microswitch with wheel	
5	08004111		microswitch insulation	
6	35160216		self-locking diam.3.2	
7	34102716		M3 hexagonal nut	
8	32050516		screw 4 MAX10	
9	05110915-01M09		CAMMA ROTAZ. GRUPPO NERO	
10	32061016		4M x 25 screw	
11	35160316		d. 4,2 IX self locking washer	
12	41081216		PLASTIC JOINT COFFE GROUP	
13	32050516		screw 4 MAX10	

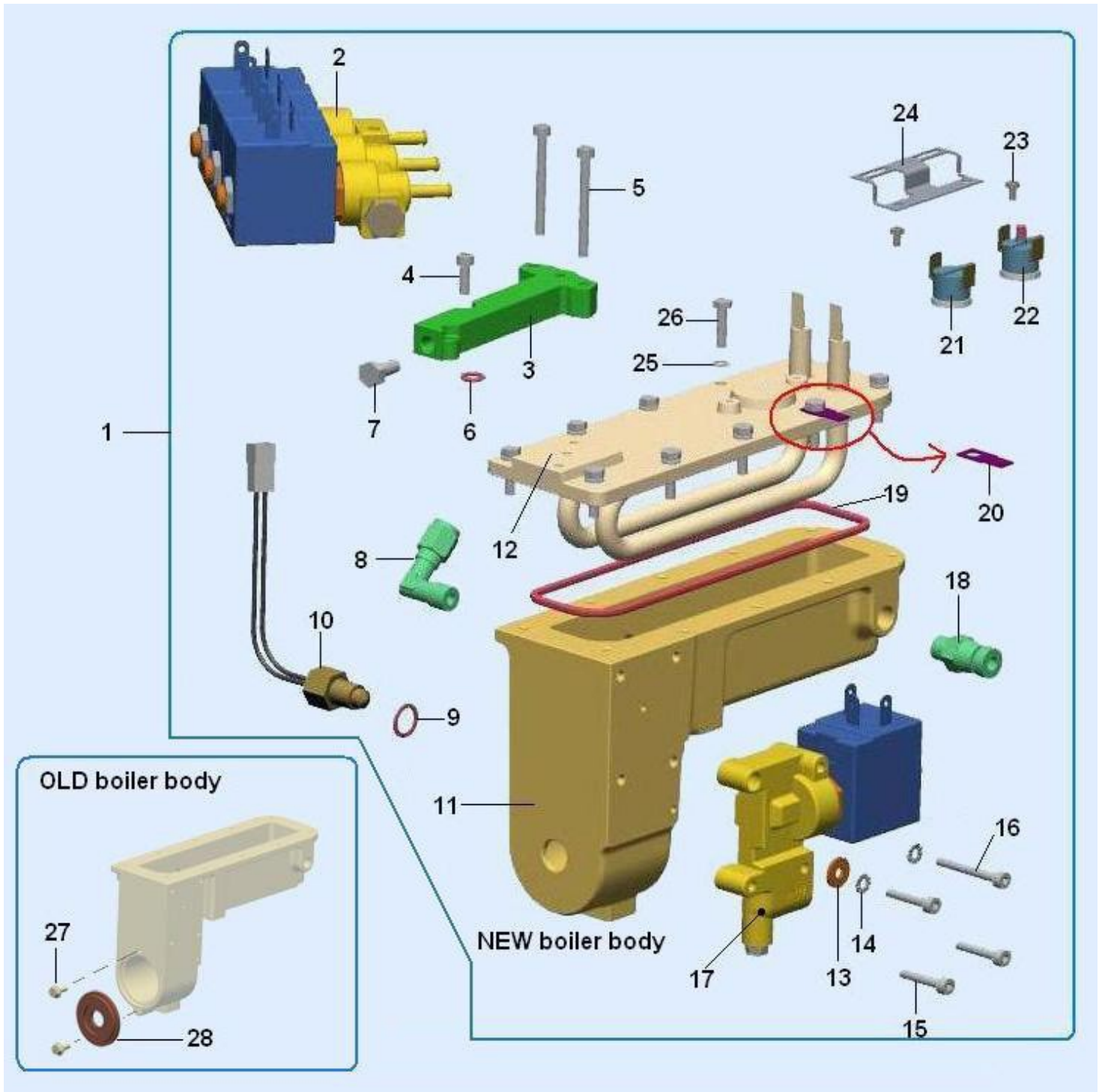
Table: ASS. CALDAIA ESPRESSO-SOLUBILE 5 EL-VALV. (921)



## ASS. CALDAIA ESPRESSO-SOLUBILE 5 EL-VALV. (921) - Items detail

Position	SPARE PARTS CODE VARIANT	Accessories	DESCRIPTION	For each main Item multiply q.ty by
1	43036510-01		ASS.CALD.ES MC 5 EL-VALV.BV971	
2	04034616		turning elbow connection	
3	25021426		2 ways 24V DC 2el-valves assy	
4	32068416		4 MA X 40 ZNB screw	
5	32065416		4x12 screw	
6	19059411-01		new electrovalve block spacer	
7	25021516-01		24VDC group of 3EV 2ways d.2mm	
100	See Table "COMPONENTI CALDAIA (922)" - Pag. 26			

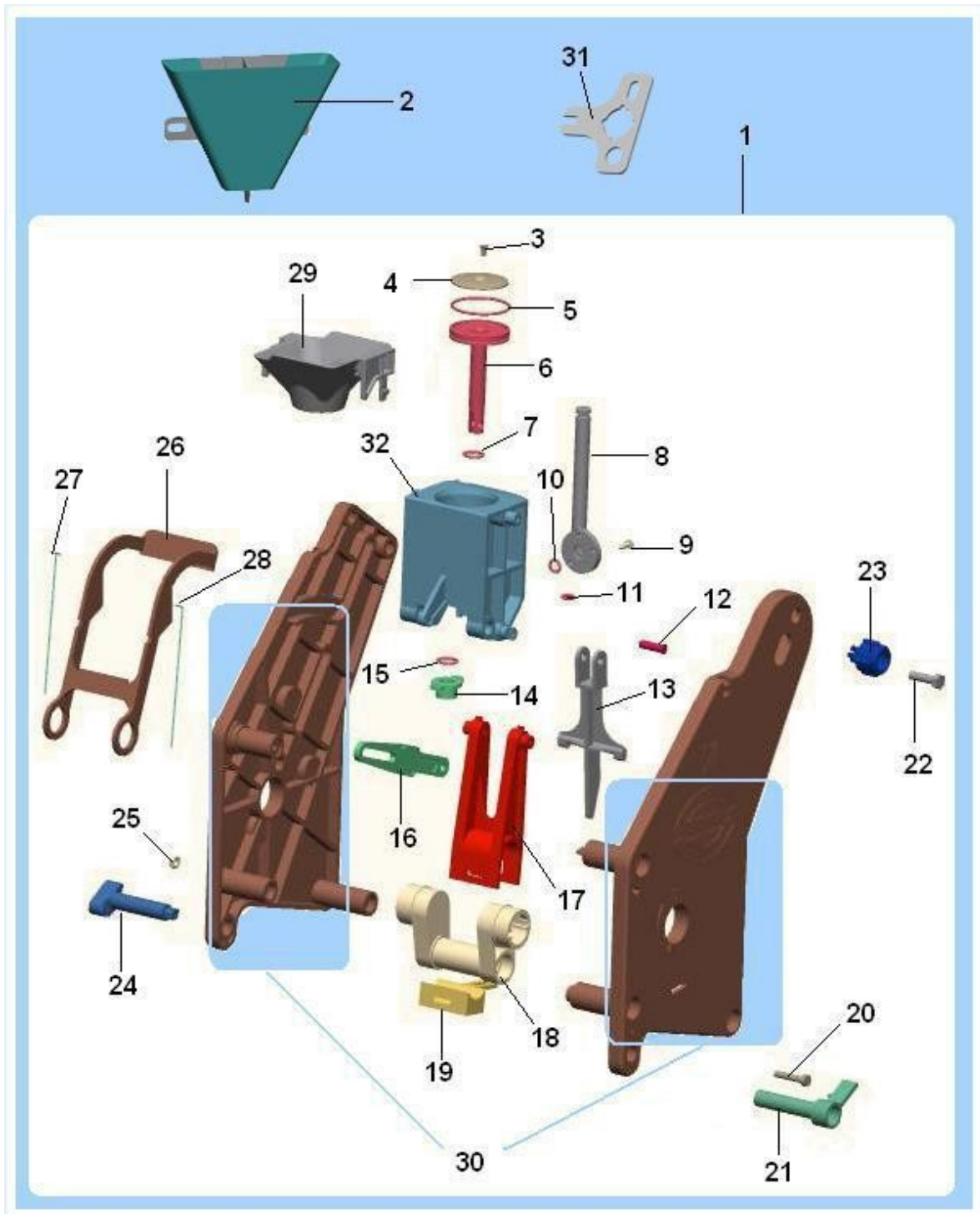
Table: COMPONENTI CALDAIA (922)



## COMPONENTI CALDAIA (922) - Items detail

Position	SPARE PARTS CODE VARIANT	Accessories	DESCRIPTION	For each main Item multiply q.ty by
1	85003110-02		boiler assembly 3 el-valv	
2	25021516-01		24VDC group of 3EV 2ways d.2mm	
3	19059411-01		new electrovalve block spacer	
4	32065416		4x12 screw	
5	32068416		4 MA X 40 ZNB screw	
6	36350116		O-Ring 2025	
7	32125336		6 MA X 12 IX screw	
8	04035326		elbow connection	
9	18002516		copper gasket	
10	26050826-01		sens. temp. w/connector (inox)	
11	13008011		espresso boiler body	
12	29004312-01		new heating element assy(inox)	
13	35157616		plain washer Ø.4,3 ac.	
14	35160316		d. 4,2 IX self locking washer	
15	32067916		TCEI 4MAx20 screw	
16	32068216		4MAX30 screw	
17	25020856		3ways elect.valve24Vdc(0-7,5b)	
18	04040316		drain valve	
19	05143815		boiler gasket	
20	23020626		male tab	
21	25020516		automatic recharge clixon110°	
22	25020616-01		manual recharge clixon (135°)	
23	32025116		TC 3MAx5 screw	
24	01599411-02		Thermoregulator spring	
25	35153426		washer	
26	32055536		TCEI 4MAx16 screw	
27	32050516		screw 4 MAx10	
28	18007011		piston stop washer OT58	

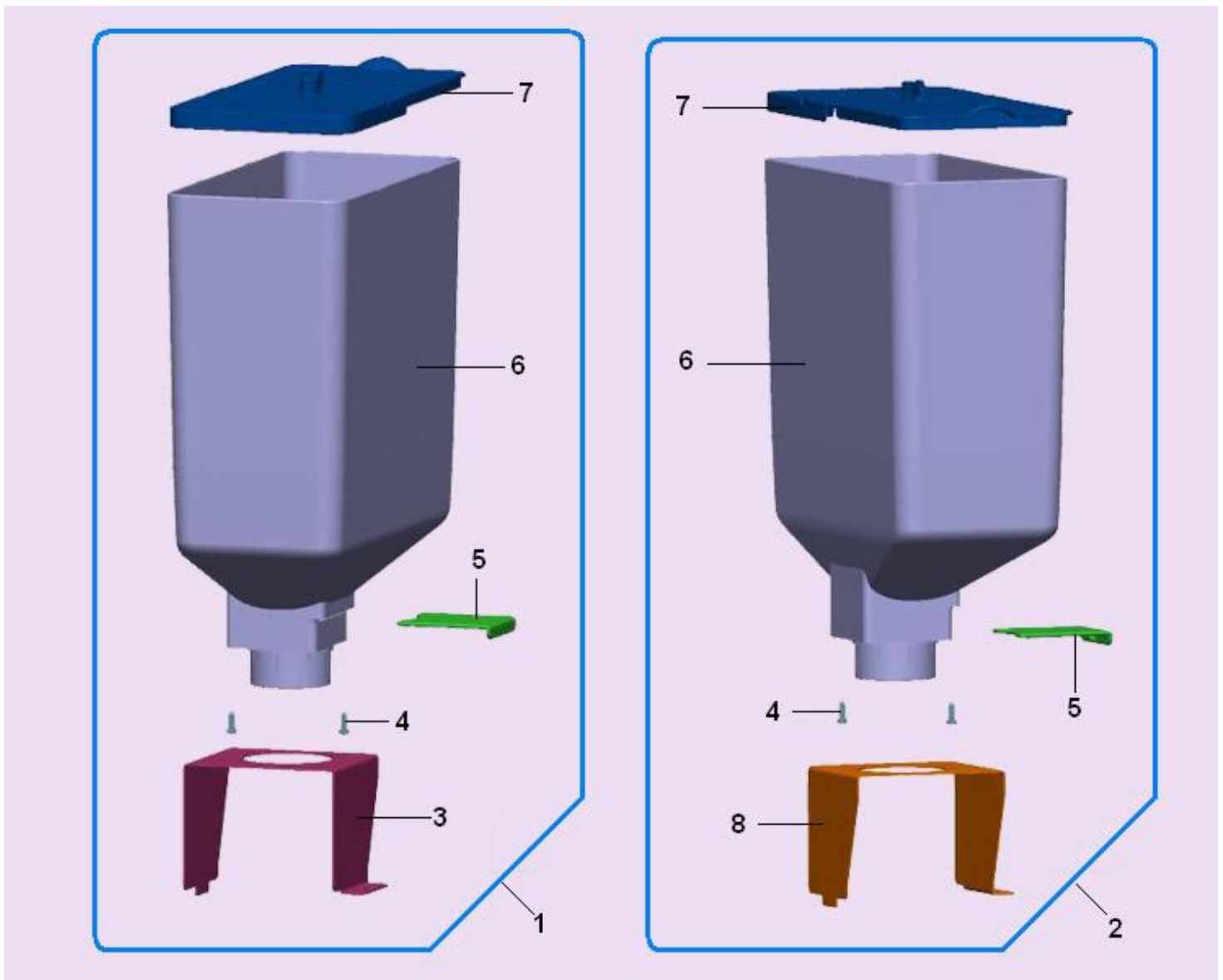
Table: GRUPPO CAFFE' PLASTICA C/IMBUTO (1005)



## GRUPPO CAFFE' PLASTICA C/IMBUTO (1005) - Items detail

Position	SPARE PARTS CODE VARIANT	Accessories	DESCRIPTION	For each main item multiply q.ty by
1	95007430-02		GR.CAFFE NB ANTICALC.C/IMBUTO	
2	01923020		ASS. CONVOGLIATORE CAFFE 2 MAC	
3	32035236		TSP 3MAx16 IX screw	
4	16012021		coffee group filter	
5	36363116		OR 2118 SH70 VITON	
6	05161215		waste coffee eject rod	
7	36212716		OR 3037 SH70 VITON	
8	05106815-01		tube for cup	
9	32222827		Blunt self-threaded screw 2,9x	
10	36210916		OR2021 gasket	
11	36351316		o-ring for coffee group pipe	
12	05107515		rivet	
13	05148315		rod lifter	
14	05106715		bush cup	
15	36211916		OR 2037 gasket	
16	05107415		drive rod	
17	05107115		connecting rod	
18	05107615		crank	
19	05107215		bracket	
20	32060936		TC 4MAx20 screw	
21	05107815		locking lever	
22	32090636		TE 5MAx18 screw	
23	05109515		konb	
24	05107915		locking rod	
25	34110316		Self-locking nut 5MA	
26	05107015		spatula	
27	07017911		right spatula spring	
28	07017921		left spatula spring	
29	05253815M09		IMBUTO GR-CAFFE BVM 333	
30	43123910-01		front/rear shoulder assembly	
31	01475411-01		Coffee group rotation key	
32	05106615-01		cup	

Table: TRAMOGGIA CAFFE' DX/SX (1014)





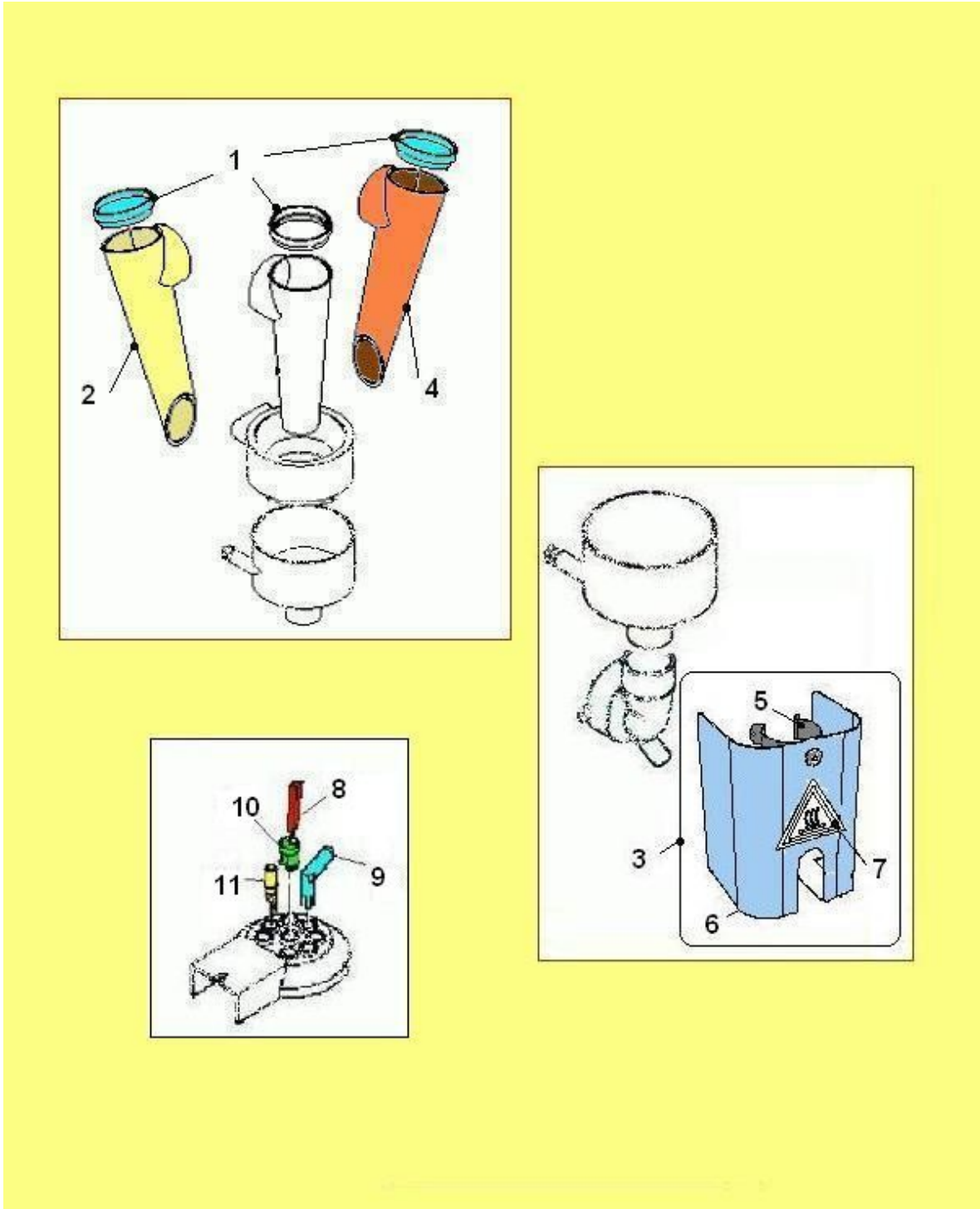
## TRAMOGGIA CAFFE' DX/SX (1014) - Items detail

Position	SPARE PARTS CODE VARIANT	Accessories	DESCRIPTION	For each main Item multiply q.ty by
1	05251240		ASS.TRAMOGG.CAFFE SX BV952 DM	
2	05251230		ASS.TRAMOGG.CAFFE DX BV952 DM	
3	01871921		SUPP. SX x TRAMOGGIA BVM	
4	32010336		VITE A/F 4,0x12 TCB UNI 9707	
5	05147915		separator for sprint beans con	
6	05251315M00		TRAMOGGIA CAFFE BVM972	
7	05255015M00		COPERCH. TRAMOGGIA DX-SX BV972	
8	01871911		SUPP. DX x TRAMOGGIA BVM	

Tables of group :

-  **Coffee Machines**
-  **BVM 952 - Free Standing**
-  **BV952ES05GG - BVM952 E5S MC DM PD**
-  **INSTANT ASSEMBLY**

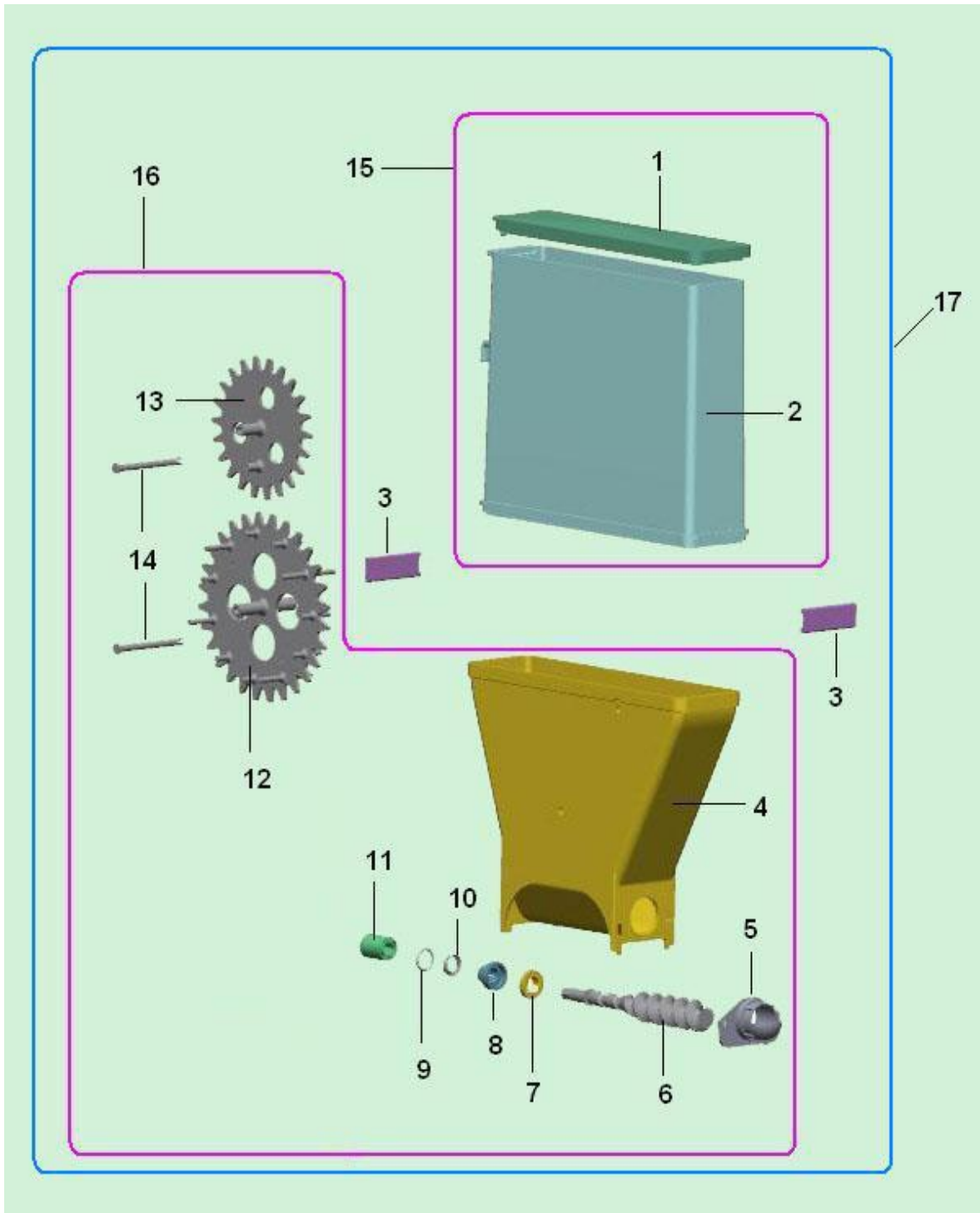
Table: SUPPLEMNT PARTS (824)



## SUPPLEMNT PARTS (824) - Items detail

Position	SPARE PARTS CODE VARIANT	Accessories	DESCRIPTION	For each main Item multiply q.ty by
1	05160415-01M37		powder funnel cap brown	
2	05160665		brown left powder funnel l=101	
3	01833512		Heated bowl cover assy	
4	05160655		brown right powder funnel l=10	
5	23036116		hook with screw and nut	
6	01833311-01		Heated bowl cover	
7	30069411-01		temperat.safety sticker	
8	05099715-01M57		UGELLO CAPILLARE L=48 AM	
9	05089815-02M57		AM elbow dispensing nozzle	
10	05099615		nozzle bush	
11	05096025M57		black straight dispensing nozz	

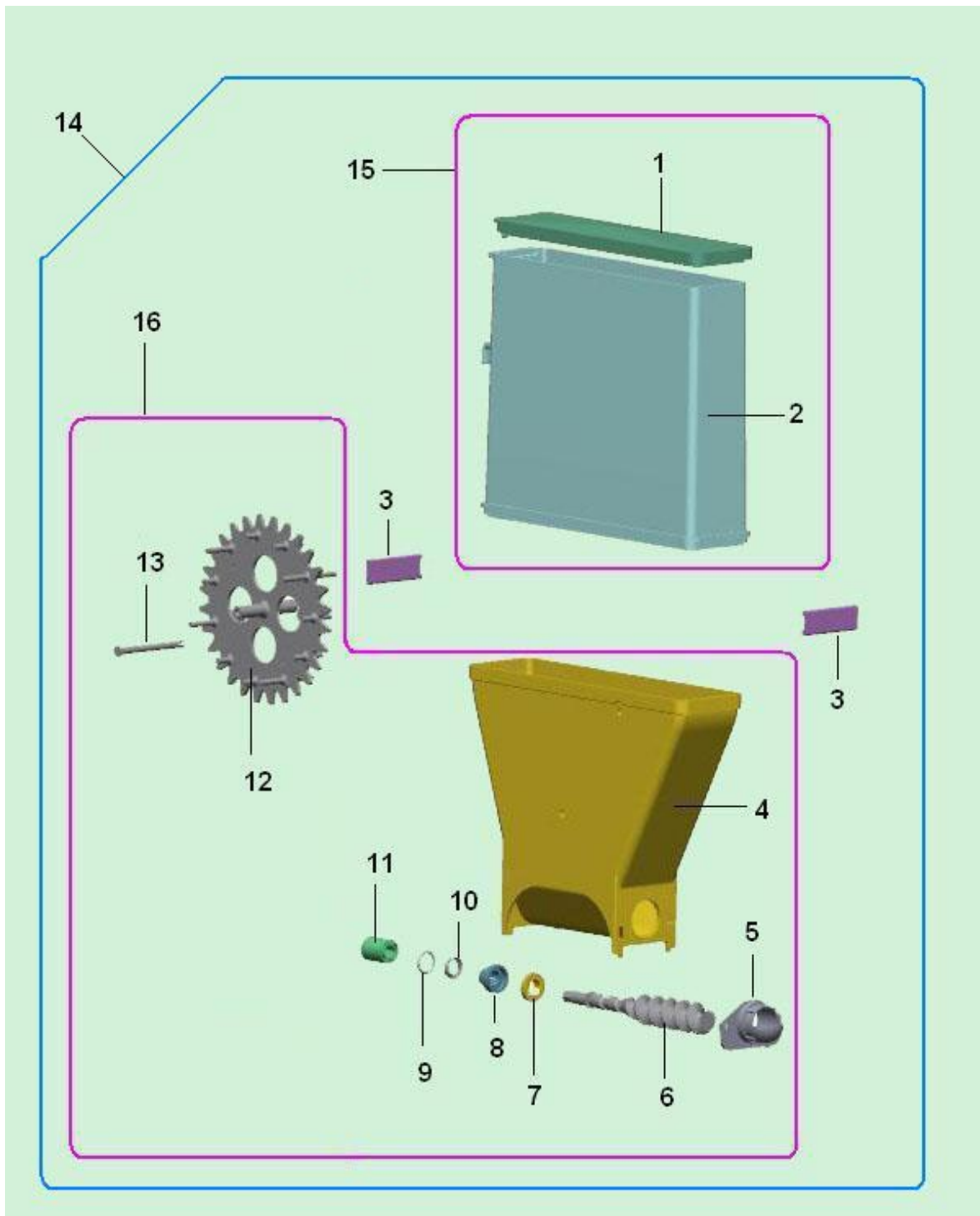
Table: ASS. SCATOLA DOS. 2/R PROL-221MM (871)



## ASS. SCATOLA DOS. 2/R PROL-221MM (871) - Items detail

Position	SPARE PARTS CODE VARIANT	Accessories	DESCRIPTION	For each main Item multiply q.ty by
1	05112915		canister lid	
2	05112755-01		SCAT.DOS-SUP.L=221	
3	05113415		hook	
4	05158615-02		Lower product canister 2wheels	
5	05158515-01		auger for product canister	
6	05124515		dispensing auger	
7	05113215		sealing bushing for auger	
8	05112535		auger pin bushing	
9	36200616		Oring 15x2	
10	36250016		DI 043 gasket	
11	05113315		auger joint	
12	05112215-01		main cogwheel for canister	
13	05112315		secondary cogwheel for caniste	
14	05133115-01		canister pivot	
15	05138410-01		ASS. PROL. SC-DOS L=221	
16	05242710		ASS. SCATOLA DOS. INF. 2/RUOTA	
17	96048720-02		canister 2wheels +221mm	

Table: ASS. SCATOLA DOS. 1/R PROL-221MM (900)

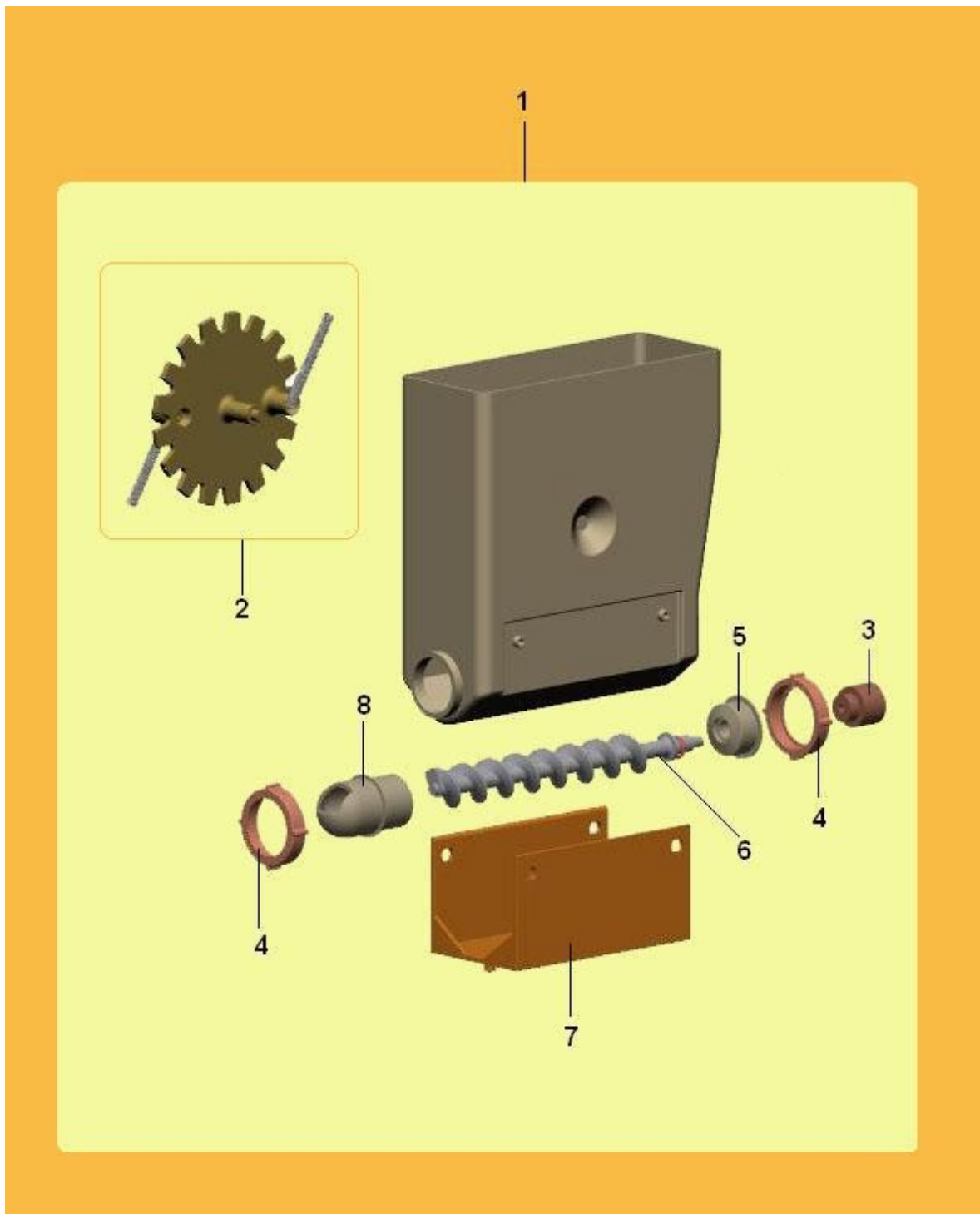


## ASS. SCATOLA DOS. 1/R PROL-221MM (900) - Items detail

Position	SPARE PARTS CODE VARIANT	Accessories	DESCRIPTION	For each main Item multiply q.ty by
1	05112915		canister lid	
2	05112755-01		SCAT.DOS-SUP.L=221	
3	05113415		hook	
4	05158625-02		SCAT.DOS.-INF. X 1 RUOTA	
5	05158515-01		auger for product canister	
6	05124515		dispensing auger	
7	05113215		sealing bushing for auger	
8	05112535		auger pin bushing	
9	36200616		Oring 15x2	
10	36250016		DI 043 gasket	
11	05113315		auger joint	
12	05112215-01		main cogwheel for canister	
13	05133115-01		canister pivot	
14	96048620-02		canister 1wheel +221mm	
15	05138410-01		ASS. PROL. SC-DOS L=221	
16	05242720		ASS. SCATOLA DOS. INF. 1/RUOTA	



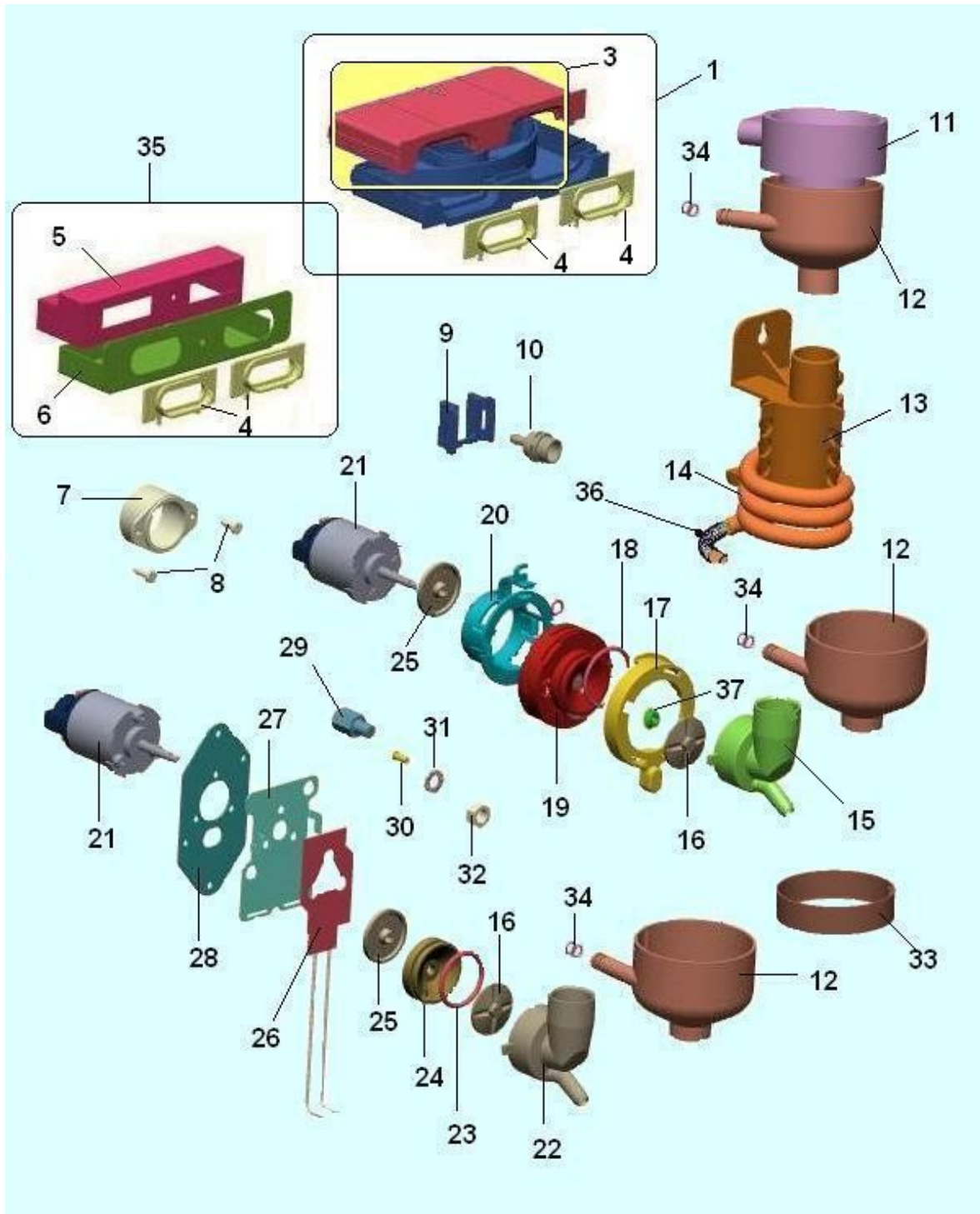
Table: COMPONENTI SCATOLA ORZO/CAFFE (908)



## COMPONENTI SCATOLA ORZO/CAFFE (908) - Items detail

Position	SPARE PARTS CODE VARIANT	Accessories	DESCRIPTION	For each main Item multiply q.ty by
1	05203320		SCAT.DOS. S/COPERCHIO BVM300	
2	43017516		wheel diam22,5+springs201A0519	
3	43017416		L20 101A0505B internal cylinde	
4	43017116		flange fix.ring NSF101A049A	
5	43017216		rear flange D.27 NSF101A0492B	
6	43017016		cochlea assy TN CIOCC.201A0510	
7	43097116		POPPETTA POSIZ. IN AVANT.SC-DOS	
8	43017316		front flange D.27 101A049AC	

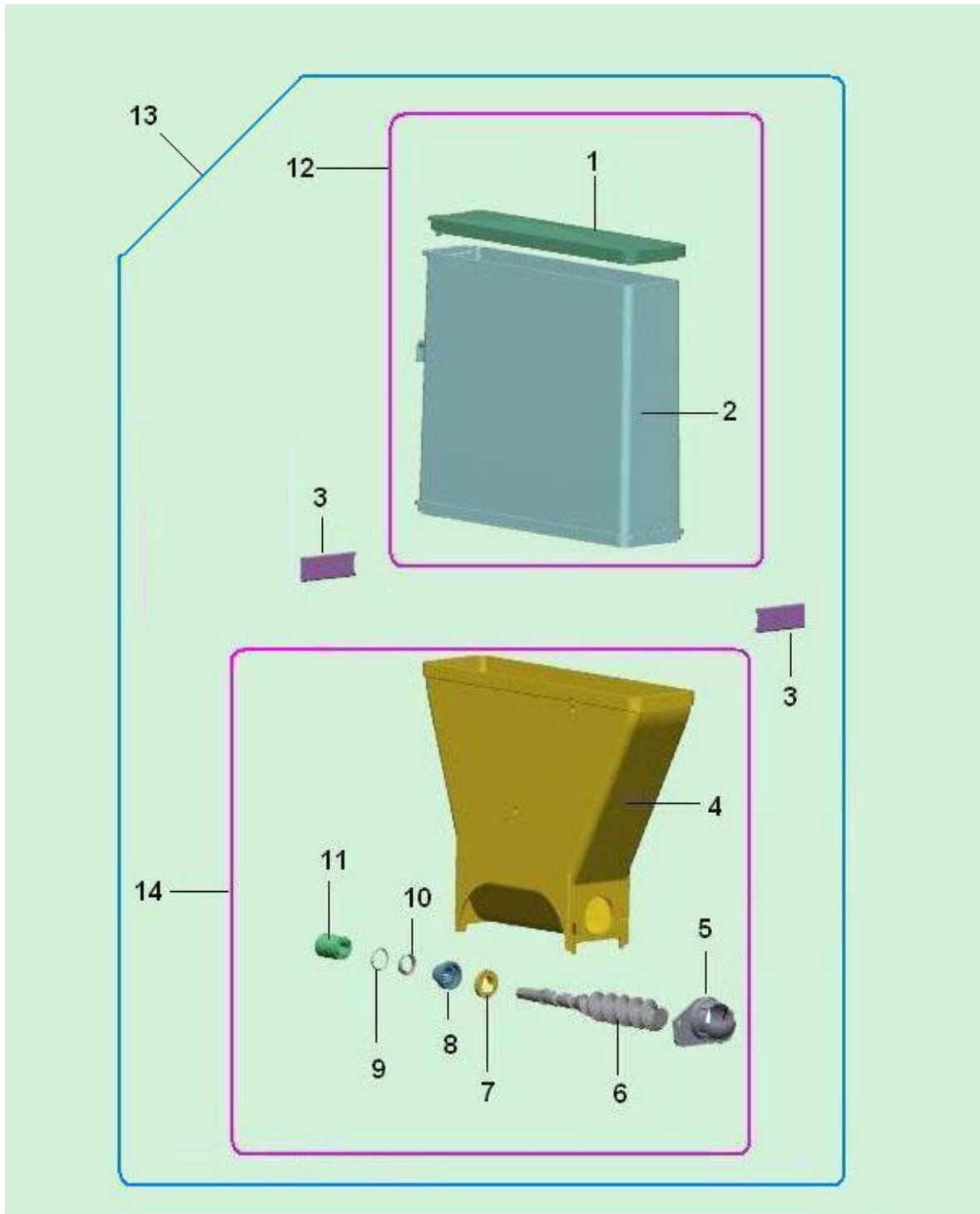
Table: MIXERS COMPONENTS (923)



## MIXERS COMPONENTS (923) - Items detail

Position	SPARE PARTS CODE VARIANT	Accessories	DESCRIPTION	For each main Item multiply q.ty by
1	05169010		lower aspiration box	
3	43135310		COMPL.CASS.INF+SUP PEG.IVS MAR	
4	05117615		vapor aspiration box opening	
5	01886211		Suction chamber higher body	
6	01886311		Suction chamber lower body	
7	05071915		aspiration pipe connection	
8	32222956		3.9x13 self-threading screw	
9	05159025M37		rubber holder connection suppo	
10	05132515M57		black r. holder connec.for 3,5	
11	05113815M57		black AM mixing bowl cover	
12	05113745M57		mixing bowl L=10 black am	
13	05141815-01M57		SUPP.SERPENT.THE PLS NERO AM	
14	09087843M57		7x11 black AM silicone pipe	
15	05111615M57		mixer chamber black AM	
16	05111825		mixer impeller	
17	05240915M37		Mixing room blocking flange	
18	36210716		OR 3131 gasket	
19	05243112M57		chamber support flange assy	
20	05241115-01M37		Motor support flange	
21	20020016-01		24VDC mixermotor screwed shaft	
22	05137615		verton mixer chamber	
23	36212516		O-Ring 29,74x2,95 viton	
24	19033441		mixer base	
25	05154015		mixer protection disk	
26	29004216		20W 24V heating element(heat.m	
27	01830711		Heated bowl support	
28	01830812		Heated bowl w/insert supp assy	
29	19056531-01		Spacer nut L=26,5	
30	32238036		PRIG. M4X10 PEM ZN	
31	35160616		Ø 8.3 self-locking washer	
32	34103116		8MA hex nut	
33	05132415M57		COLLARE COPP.MISC. NERO AM	
34	36203816		OR 106 6,75/1,78 gasket	
35	01789310		ASS. CASSETTO DOPPIO ASPIR. DM	
36	07017711		tea serpent. spring	
37	36351215		green V-seal gasket	

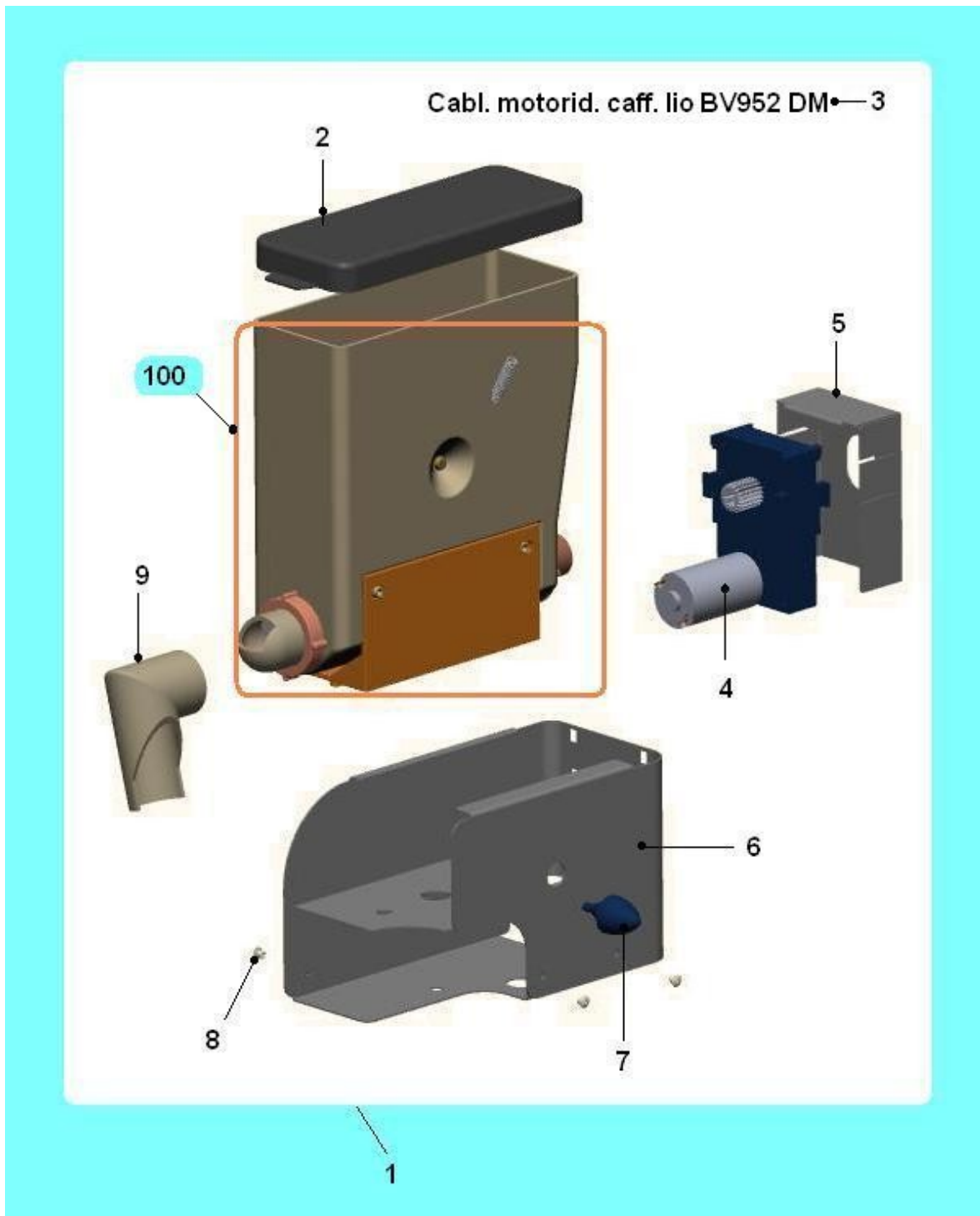
Table: ASS. SCATOLA DOSATRICE S/R PROL-221 MM (986)



## ASS. SCATOLA DOSATRICE S/R PROL-221 MM (986) - Items detail

Position	SPARE PARTS CODE VARIANT	Accessories	DESCRIPTION	For each main Item multiply q.ty by
1	05112915		canister lid	
2	05112755-01		SCAT.DOS-SUP.L=221	
3	05113415		hook	
4	05158635-02		Lower canister w/out wheel	
5	05158515-01		auger for product canister	
6	05124515		dispensing auger	
7	05113215		sealing bushing for auger	
8	05112535		auger pin bushing	
9	36200616		O-ring 15x2	
10	36250016		DI 043 gasket	
11	05113315		auger joint	
12	05138410-01		ASS. PROL. SC-DOS L=221	
13	96035750-02		C/O SC-DOS. S/R PROL- 221M	
14	05242730		ASS. SCATOLA DOS. INF. S/RUOTA	

Table: C/O SCATOLA ORZO/CAFFE BV952 (1020)



## C/O SCATOLA ORZO/CAFFE BV952 (1020) - Items detail

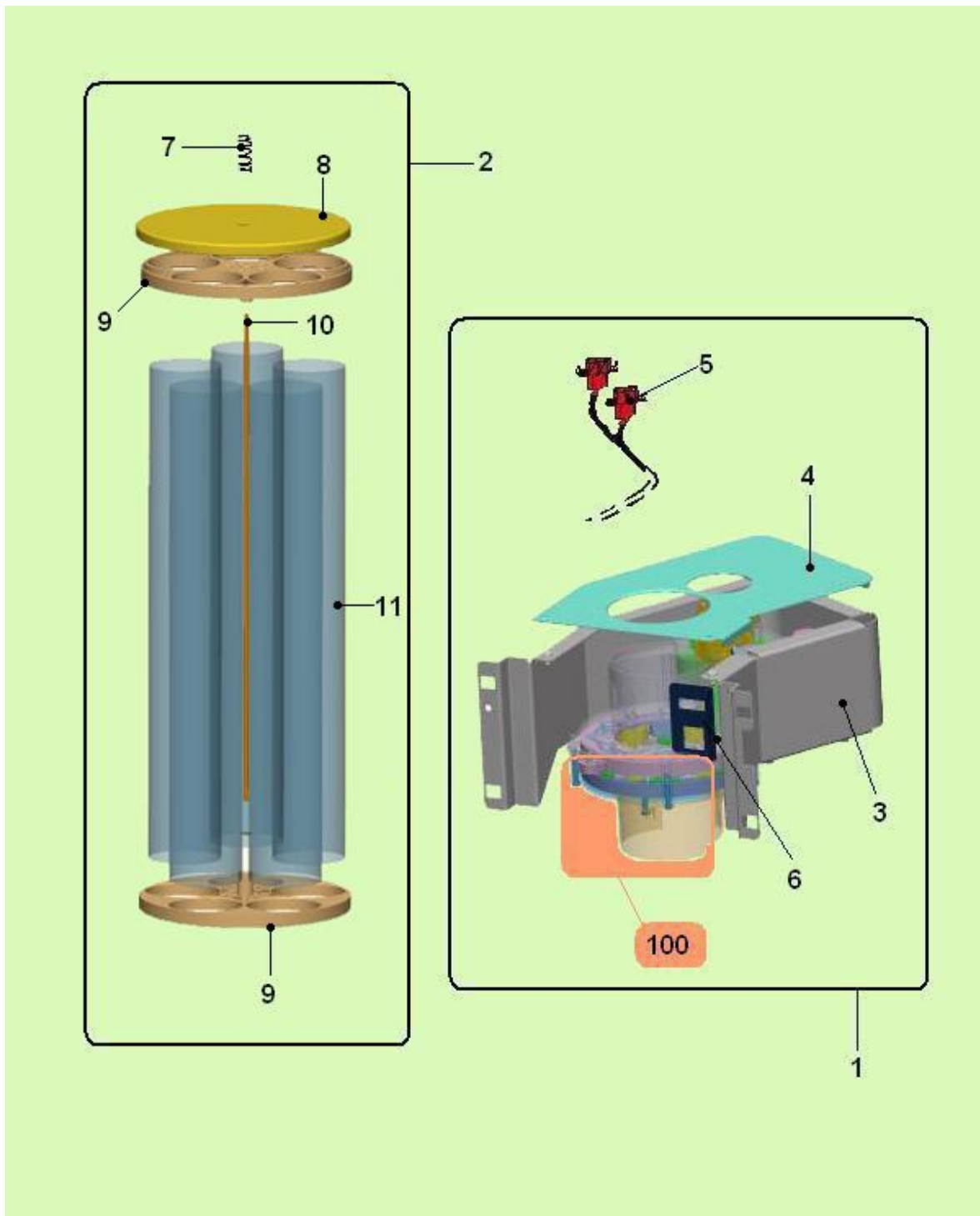
Position	SPARE PARTS CODE VARIANT	Accessories	DESCRIPTION	For each main Item multiply q.ty by
1	96069120		C/O SCATOLA ORZO/CAFFE BVM952	
2	05245216		COPERC.SCATOLA DOS.GRAF BVM300	
3	22184422		CABL.MOTORID.CAFF.LIO BV952 DM	
4	20020316		24V DC motor quick connect.	
5	01885811-01		MASCHERA MOTORIDUTTORE	
6	01872012-01		ASS.SCATOLA CAFFE LIOFILIZZATO	
7	05192515		RUBBER SPACER	
8	33050126		3.2x8 rivet	
9	05230126		PIPA DX 45X65 SCARICATA	
100	See Table "COMPONENTI SCATOLA ORZO/CAFFE (908)" - Pag. 39			



Tables of group :

-  **Coffee Machines**
-  **BVM 952 - Free Standing**
-  **BV952ES05GG - BVM952 E5S MC DM PD**
-  **PRODUCT DELIVERY**

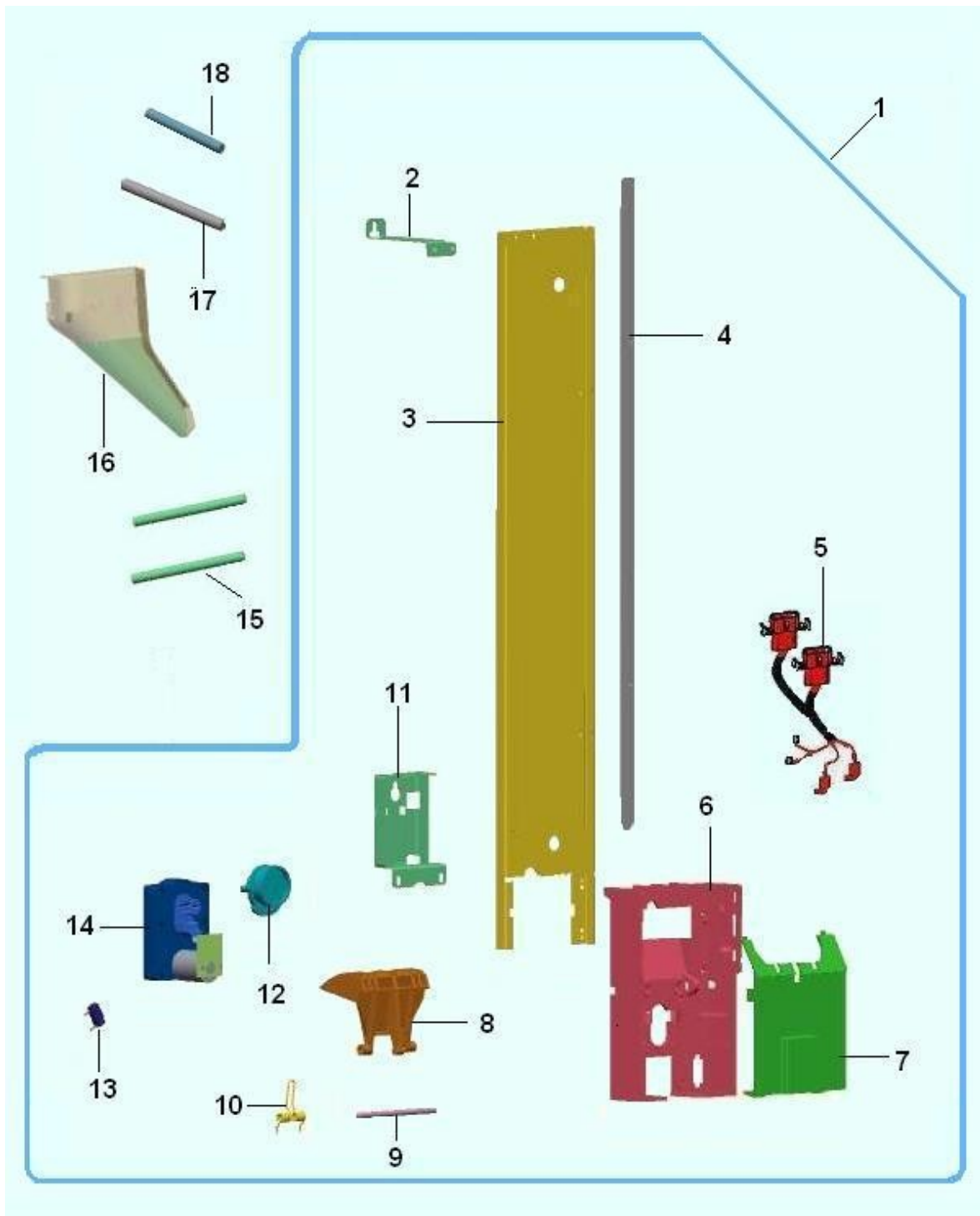
Table: CUPS TURRET ASSY AND CUPS DISPENSER (769)



## CUPS TURRET ASSY AND CUPS DISPENSER (769) - Items detail

Position	SPARE PARTS CODE VARIANT	Accessories	DESCRIPTION	For each main Item multiply q.ty by
1	28011130-04		BV971 cup disp.assy	
2	28006940		cups turret assembly ant.	
3	01826631-03		TELAIO SGANCIATORE BICCHIERI	
4	01826731-02		BV971 IVS cup dispenser cover	
5	22178612		BV970IVS cup dispenser wiring	
6	01826811		Cup dispenser connector plate	
7	07020711		spring	
8	05146115M37		Brown cups turret cover	
9	05135615M37		cup dispenser disk brown	
10	19059321		Antares cups turret brace	
11	09094121		75x77 PVC transp.pipe	
100	See Table "CUPS DISPENSER PARTS (628)" - Pag. 73			

Table: **DISTRIBUTORE PALETTE (864)**



## DISTRIBUTORE PALETTE (864) - Items detail

Position	SPARE PARTS CODE VARIANT	Accessories	DESCRIPTION	For each main Item multiply q.ty by
1	43136010		C/O DIST.PALET.BV952 + SQUADR.	
2	01839821		BV952 spoon dispenser support	
3	01837721-03		BV951 spoon dispenser L=90-105	
4	01837821-03P54		BV951 L=90 spoon disp. spacer	
5	22180112		BV951/71 pls spoon disp.90/105	
6	05241315-03M05		SCATOLA PALETTIERA GRIGIA	
7	05241615M05		grey spoon box cover	
8	05149015-02M37		ESPULS.PALETTE MARRONE IRIS ES	
9	19059811-01		Iris spoons ejector shaft	
10	07021731		Cup disp.90/105foot spring 1,3	
11	01839912		IVS spoon disp.frame w/inserts	
12	05241515-02M00		Spoon dispenser moving cam	
13	26029626		microswitch(proof)	
14	20020926		24DC 25rpm gearmotor	
15	12047111		spoons ejection tube	
16	05241415-02M00		Spoon slide right BV951	
17	12013611-02		Metal weight for spoons 105mm	
18	12004611-01		Metal weight for spoons 90mm	

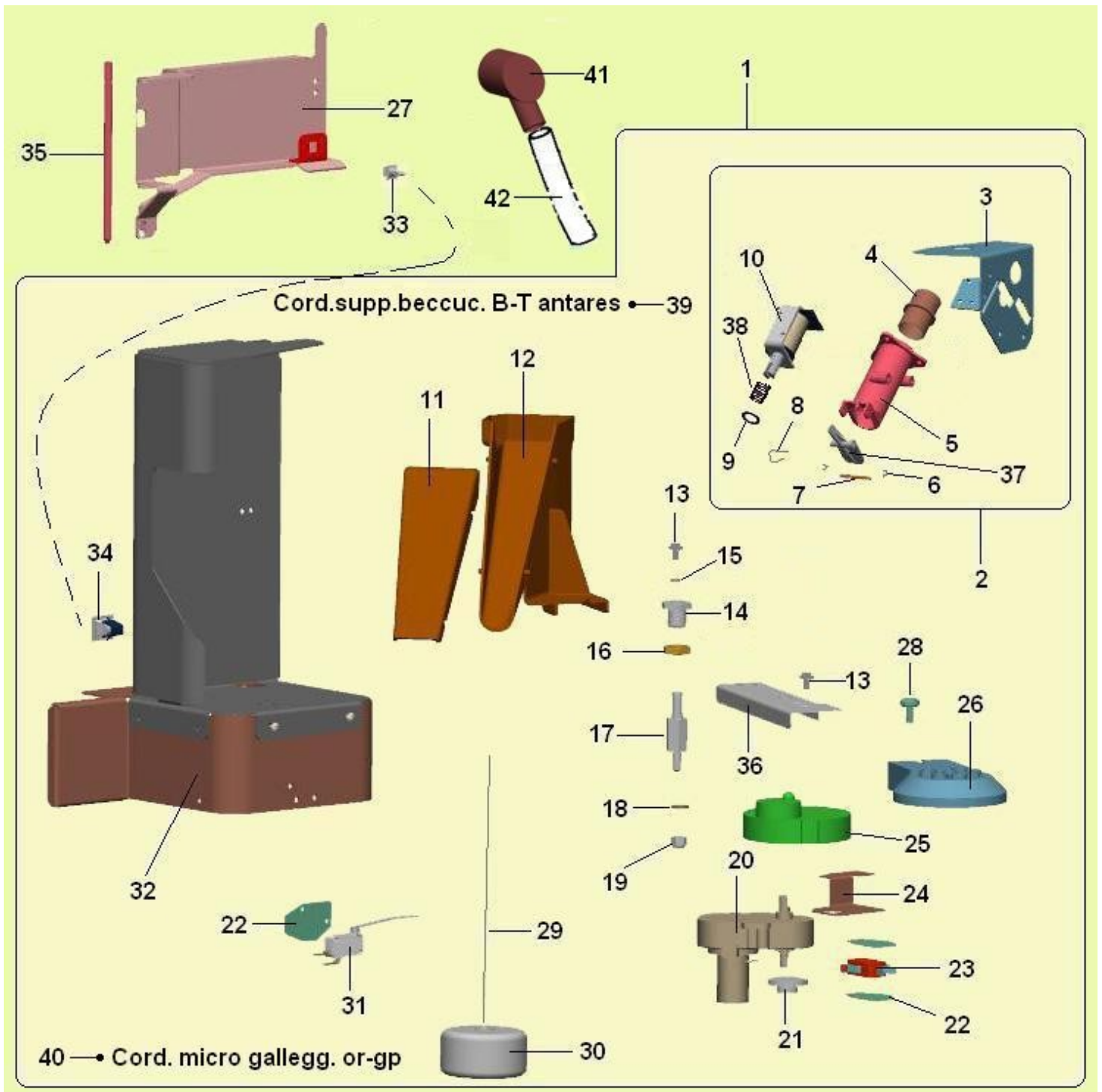
Table: CUPS STATION (915)



## CUPS STATION (915) - Items detail

Position	SPARE PARTS CODE VARIANT	Accessories	DESCRIPTION	For each main Item multiply q.ty by
1	05108320-01M09		ASS. VANO EROG. NERO	
2	05103615		cup station door	
3	05000315M09		black cup fork	
4	05134415		delivery area plate	
5	05103225		black cup station	
6	01452011-01		Dispensing chamber tanksupport	
7	05103525-01		black cup station lock-lever	
8	05103325		black cup station lever suppor	
9	05103425		left cup station support blac	
10	05103715-01M37		drops collection tray brown	
11	05103815-01		dispensing chamber funnel	
12	07017311		catch lever spring	
13	43127110		ASS.SUPP.VANO EROG.DX+SX	
14	05266315M09		COLLARE PROTEZIONE VANO EROGAZ	

Table: SUGAR NOZZLES SUPPRT ASSY (1016)





## SUGAR NOZZLES SUPPRT ASSY (1016) - Items detail

Position	SPARE PARTS CODE VARIANT	Accessories	DESCRIPTION	For each main Item multiply q.ty by
1	96067460		BV972 sugar nozzle supp.assy	
2	96032820		Ant.sugar supply support assy	
3	01519622-01		ASS.SUPP.FL-ZUCCH.ANTARES RIV	
4	05096215		sugar pipe connection	
5	05104715-02M37		Sugar supply brown flange	
6	37000816		seeger ring	
7	00110823		lever's fulcrum pin	
8	00110824		electromagnet ring	
9	35156626		Ø 9.2 plain washer	
10	20008946		24V DC 15% magnet	
11	05138025		brown sugar slide cover	
12	05137925		antares brown sugar slide	
13	32050416		M4x8 screw	
14	19057411		nozzle arm bush	
15	35155216		plain washer for 4M screw	
16	04014111		hexagonal nut 1/4GAS	
17	19057311-04		Antares nozzle arm pin	
18	35155416		6.4 plain washer	
19	34110416		6MA hex nut	
20	20018816-01		24V 2,2nF 100V gearmotor	
21	05110715		orion micro cam	
22	08004111		microswitch insulation	
23	26005126		microswitch with wheel	
24	01630011-01		micro support	
25	05089715M37		nozzle drive cam brown	
26	05089925-01M37		8 pos.nozzles supp.flange PA66	
27	01835012-01		Sugar nozzle rotation supp.as.	
28	19043521		fixing knob	
29	22021116		0,80 nylon wire	
30	05074412		floater assembly	
31	26013726		too full microswitch	
32	01831552-02		BV952/972 nozzle support assy	
33	33072716		Richco DCS-4 latch pin	
34	33072816		Richco DCS-7 release spring	
35	12017631		BV931 cup disp.rotation pin	
36	01509811-01		Antares nozzles arm support	
37	05123715		doser lever with hole	
38	07016911		sugar doser spring	
39	22111312		nozzle support cable low volt.	
40	22130312		orion GP micro floater cable	

41 05123015M37

BROWN SUGAR NOZZLE

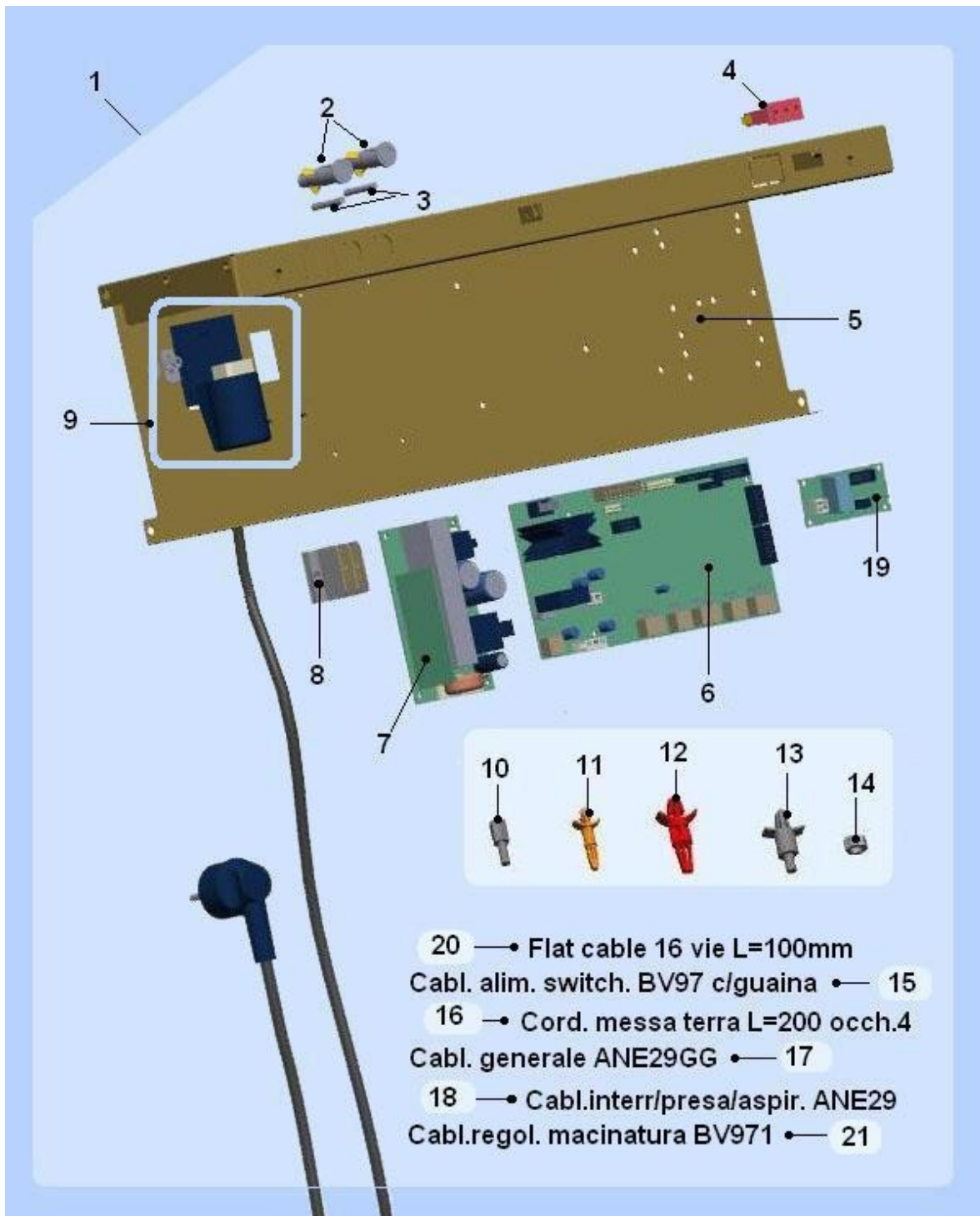
42 09027653

20x26 PVC pipe

Tables of group :

-  **Coffee Machines**
-  **BVM 952 - Free Standing**
  -  **BV952ES05GG - BVM952 E5S MC DM PD**
    -  **ELECTRICS & ELECTRONICS**

Table: ELECTRIC PANEL (1017)



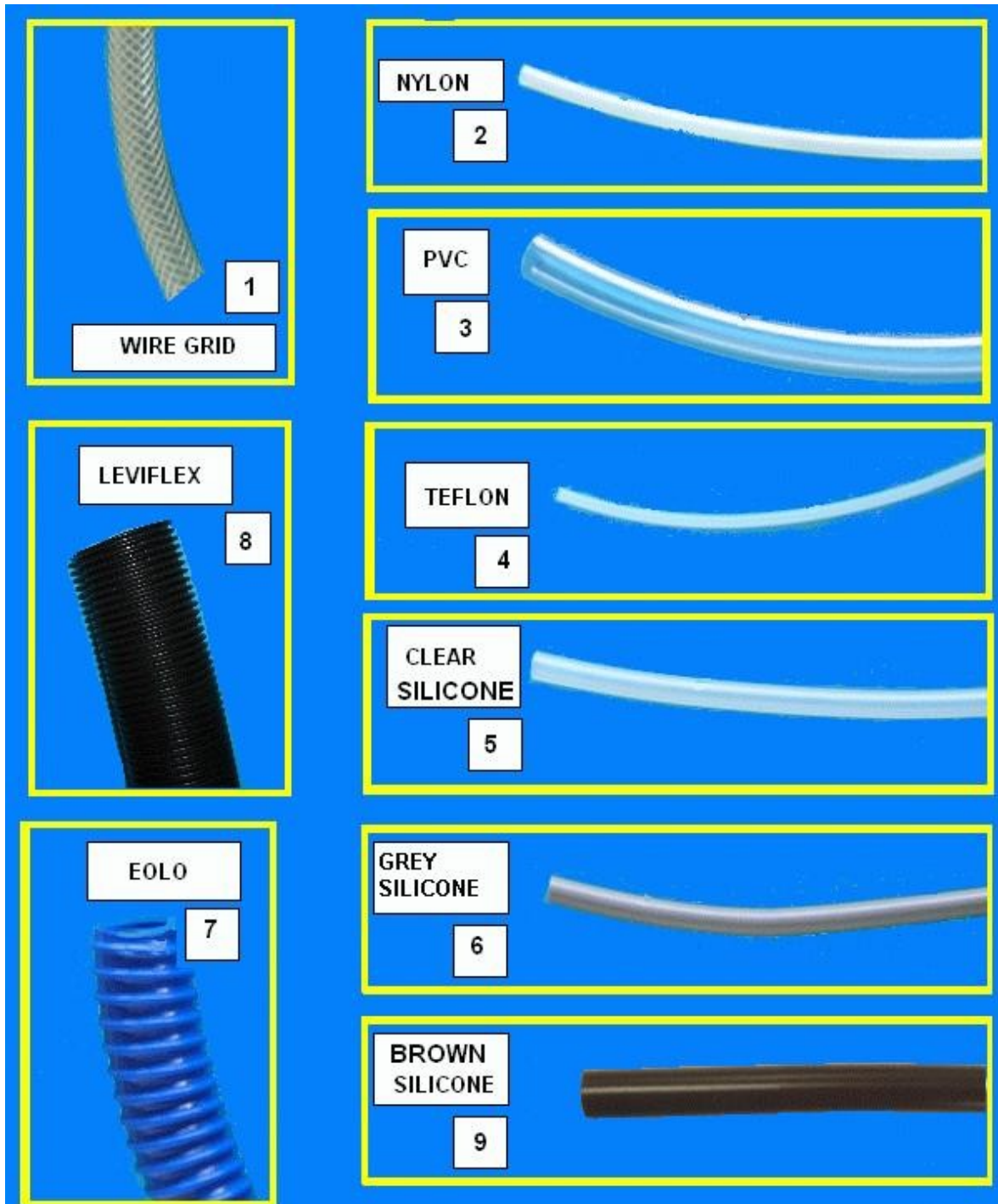
## ELECTRIC PANEL (1017) - Items detail

Position	SPARE PARTS CODE VARIANT	Accessories	DESCRIPTION	For each main Item multiply q.ty by
1	94033940-01		ASS.SCATOLA ELETT. BV952 MC DM	
2	23017316		6.3x32 snap-type fuse holder	
3	23014916		10 Amp. fuse	
4	23014416		socket 2P+G	
5	01852212-03		ASS.LAM.SCAT.ELETT.BV952C/INS	
6	26048416-01		Blue SMT micro256K POWER board	
7	26048316		switch powersup230/110Vac-24Vd	
8	23038816		BVM plugs assy	
9	26026326		net filter quick connection wi	
10	33071926		DISTANZIALI METALLO M/F M3 L.	
11	33072046		DISTANZIALI PLS M/F M3 L. 7,9	
12	05195216		board spacer	
13	33065526		L=10 card spacer	
14	33065726		4M nut for board spacer	
15	22177512-01		BV97pow.sup.swit.cable w/shear	
16	22043022		GROUND WIRING L=200	
17	22189612		CABL. GENERALE ANE29GG	
18	22189712		CABL. INTERR/PRESA/ASPIR.ANE29	
19	26048616		Grind.Calibr.power board expan	
20	22175412		16pins flat cable 100mm	
21	22175312		bvm971 grinder auto calibrat.c	

Tables of group :

-  **Coffee Machines**
-  **BVM 952 - Free Standing**
-  **BV952ES05GG - BVM952 E5S MC DM PD**
-  **HYDRAULIC COMPONENTS**

Table: PIPES(68)

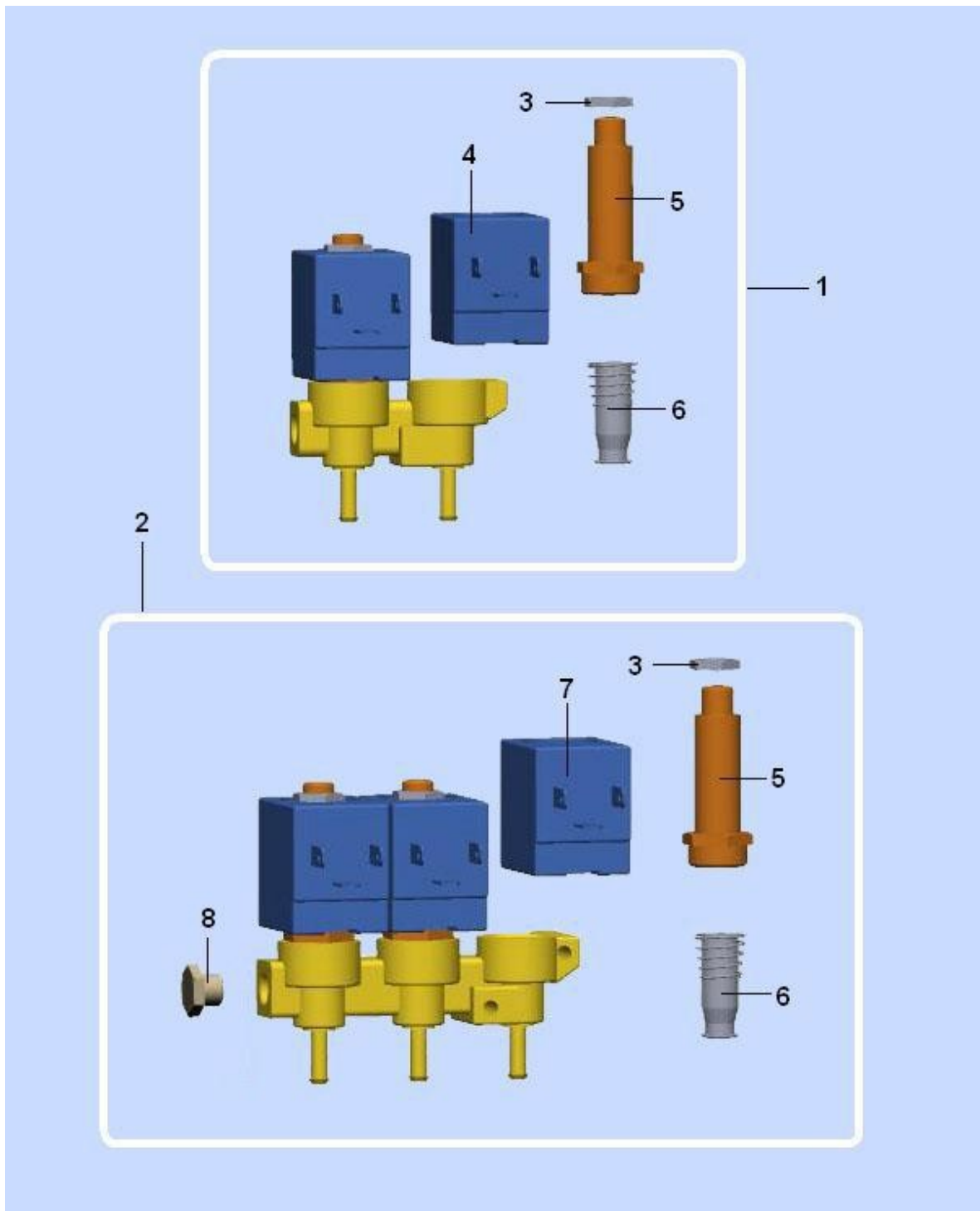


## PIPES(68) - Items detail

Position	SPARE PARTS CODE VARIANT	Accessories	DESCRIPTION	For each main item multiply q.ty by
1	09094613		10x15 pipe	
2	09009813		8x10 nylon pipe	
3	09027623		12x16 L=700 PVC pipe	
3	09027643		14X17 PVC pipe	
3	09027653		20x26 PVC pipe	
3	09027663		14x18 PVC pipe	
4	09085413		4x2 teflon pipe	
4	09085423		4x6 teflon pipe	
5	09029753-01		8x12 silicone transp.pipe	
5	09029763-01		5x9 transparent silicone pipe	
5	09036091		3x5 silicon transp.pipe	
5	09037141		4x6 silicone transp.pipe	
5	09038361		6x9 silicone transp.pipe	
5	09039311		8x11 silicone transp.pipe	
6	09087823		grey silicon pipe 5x9	
6	09087833		grey silicon pipe 6x9	
7	09092811		Sz 30x35 EOLO pipe	
8	09031113		28x33 Leviflex pipe	
8	09031133		40x46 Leviflex pipe	
9	09087823-02		TUBO SIL.SZ.5X 9 MARRONE	
9	09087843-02		7x11 brown silicone pipe	
9	09087873-02		TUBO SIL.SZ.3X6 MARRONE	
10	09087823M57		5x9 silicon pipe black am	
10	09087843M57		7x11 black AM silicone pipe	
10	09087873M57		black am 3x6 silicon pipe	
11	09105713		TUBO SILIC. 5X9 ROSSO C/CALZA	



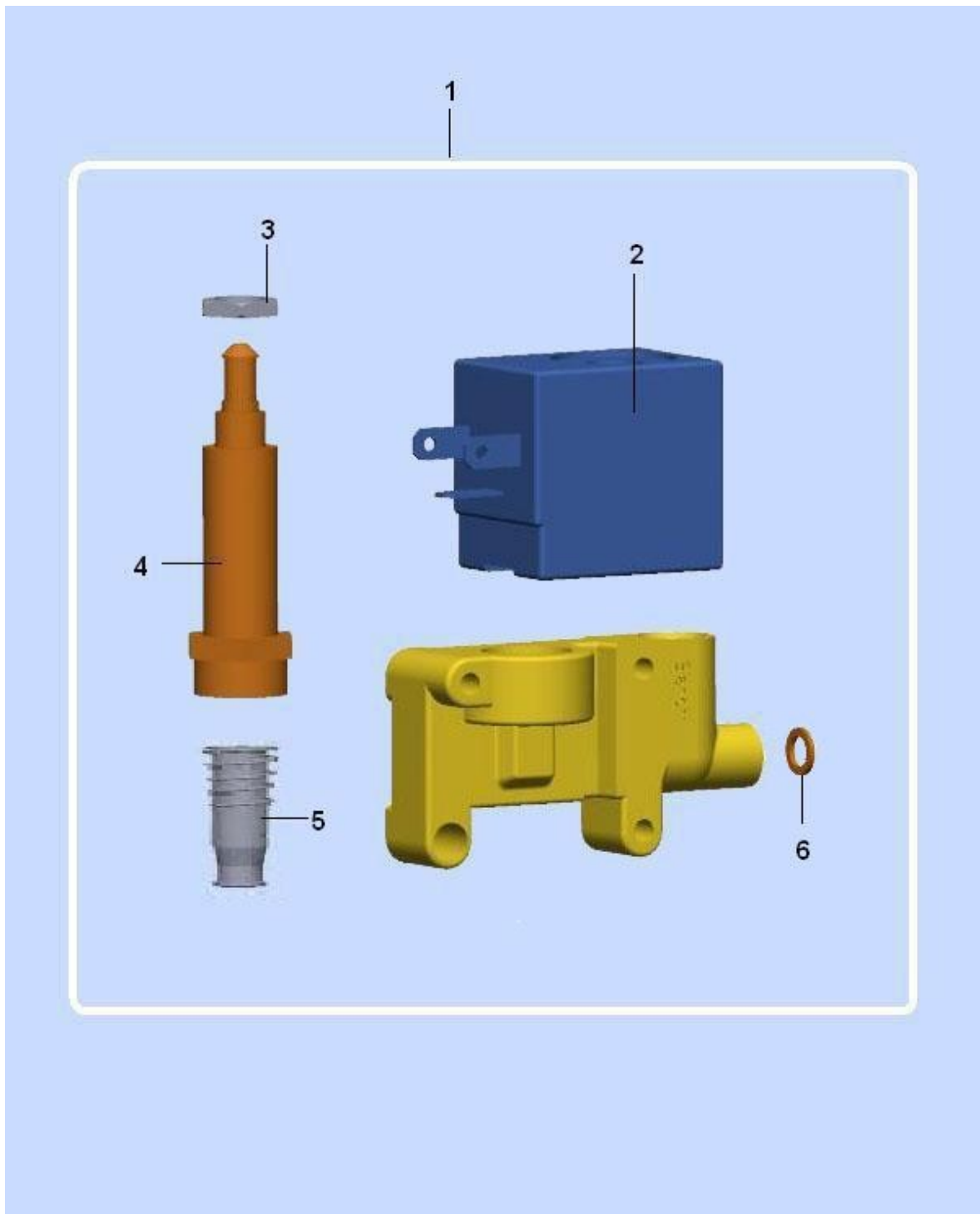
Table: COMPONENTI EL-VALV. 2 VIE DC OLAB (929)



## COMPONENTI EL-VALV. 2 VIE DC OLAB (929) - Items detail

Position	SPARE PARTS CODE VARIANT	Accessories	DESCRIPTION	For each main Item multiply q.ty by
1	25021426		2 ways 24V DC 2el-valves assy	
2	25021516-01		24VDC group of 3EV 2ways d.2mm	
3	43050616			
4	41037116		OLAB coil 3W 24VDC	
5	41037316		OLAB armature tube 2W	
6	41037216		OLAB plunger 2W	
7	25019416B		electrovalve coil 25019416	
8	43031516		Threaded cap 1/8NICH.6084/2N	

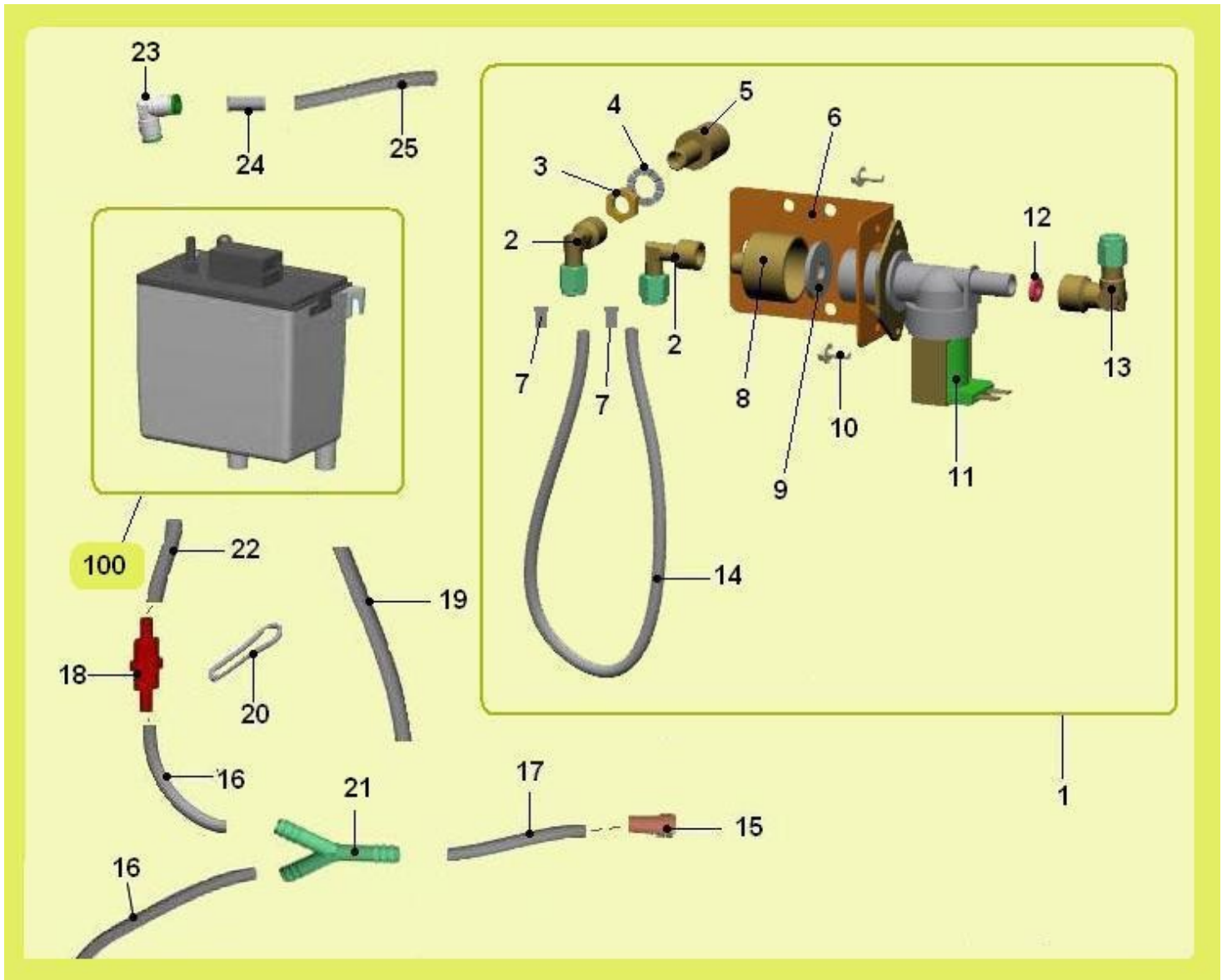
Table: COMPONENTI EL-VALV. 3 VIE OLAB (930)



## COMPONENTI EL-VALV. 3 VIE OLAB (930) - Items detail

Position	SPARE PARTS CODE VARIANT	Accessories	DESCRIPTION	For each main Item multiply q.ty by
1	25020856		3ways elect.valve24Vdc(0-7,5b)	
2	41037116		OLAB coil 3W 24VDC	
3	43050616			
4	41037516		OLAB armature tube 3W	
5	41037416		OLAB plunger 3W	
6	43001316		9,63x6,07 o-ring viton	

Table: COLLEGAMENTI IDRAULICI - ELETTROV. INGRESSO ACQUA (1018)



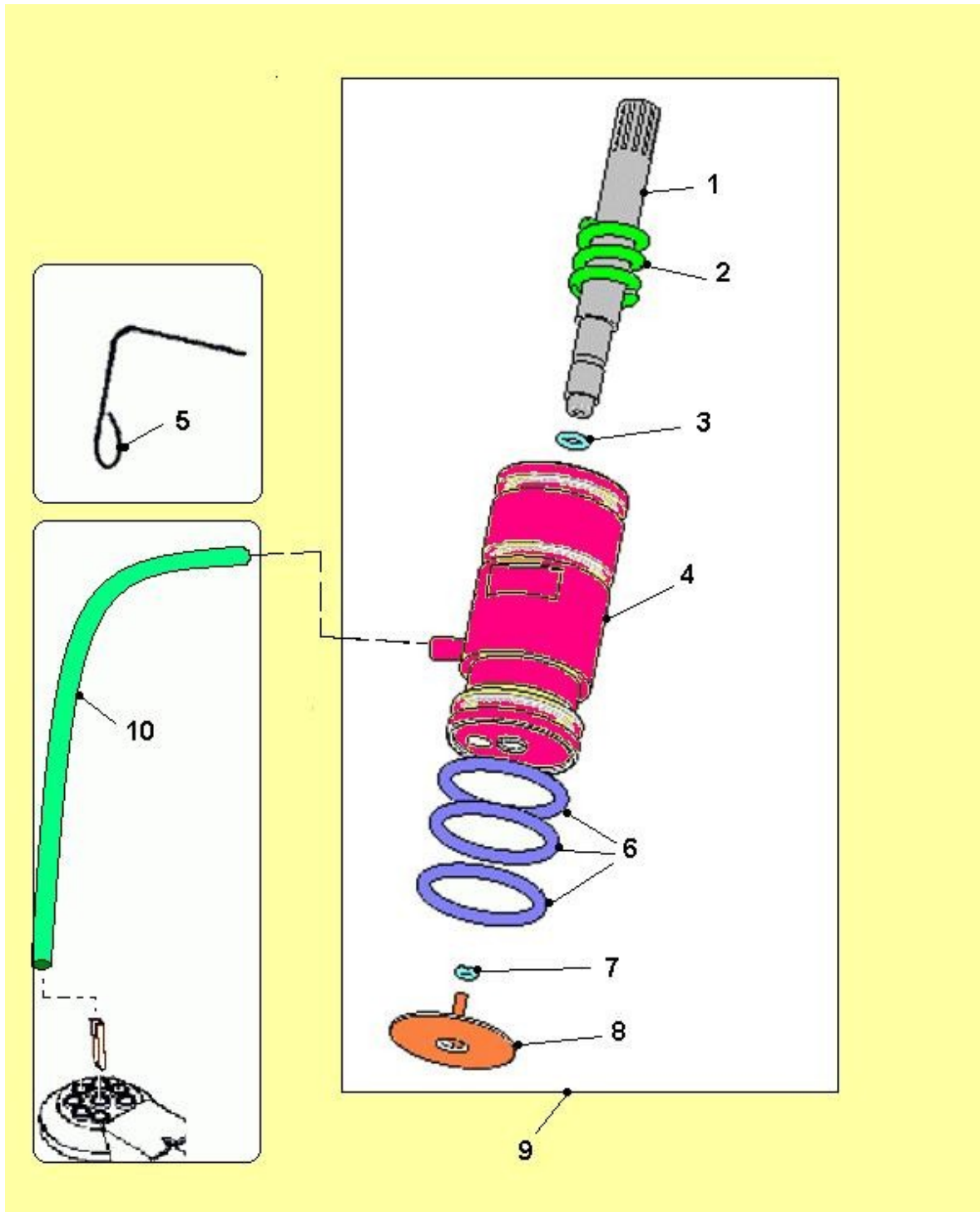
## COLLEGAMENTI IDRAULICI - ELETTROV. I INGRESSO ACQUA (1018) - Items detail

Position	SPARE PARTS CODE VARIANT	Accessories	DESCRIPTION	For each main Item multiply q.ty by
1	25032560-01		ASS. SUP. E-VALV. BVM MC/DC	
2	04036816		elbow connection	
3	04014131		hexagonal nut 1/8GAS	
4	35160716		washer	
5	04040716		1/8 - 3/8 straight connection	
6	01525121-01		Brita e.v. support plate	
7	19004326		reinforcing bush	
8	04000131		3/4 GF 1/8 GM connection	
9	05111016		Ø 25,5 silicone plain gasket	
10	32050516		screw 4 MAX10	
11	25000146		inlet water electrovalve 24v d	
12	04035526		connection	
13	04033236		turning elbow connection	
14	09085423		4x6 teflon pipe	
15	05036515		drain tube plug	
16	09087823M57		5x9 silicon pipe black am	
17	09027673		PVC pipe section 9x12	
18	16014316		water filter	
19	09027623		12x16 L=700 PVC pipe	
20	07010711		clapper	
21	05240015M00		3ways connector 9mm ext.	
22	09029753-01		8x12 silicone transp.pipe	
23	04041416		quick-release connection D=6	
24	19004326		reinforcing bush	
25	09085423		4x6 teflon pipe	
100	See Table "AIR BREAK ASSY W/MICRO SW (784)" - Pag. 75			

Tables of group :

 **Other tables**

Table: PISTON ASSEMBLY(7)

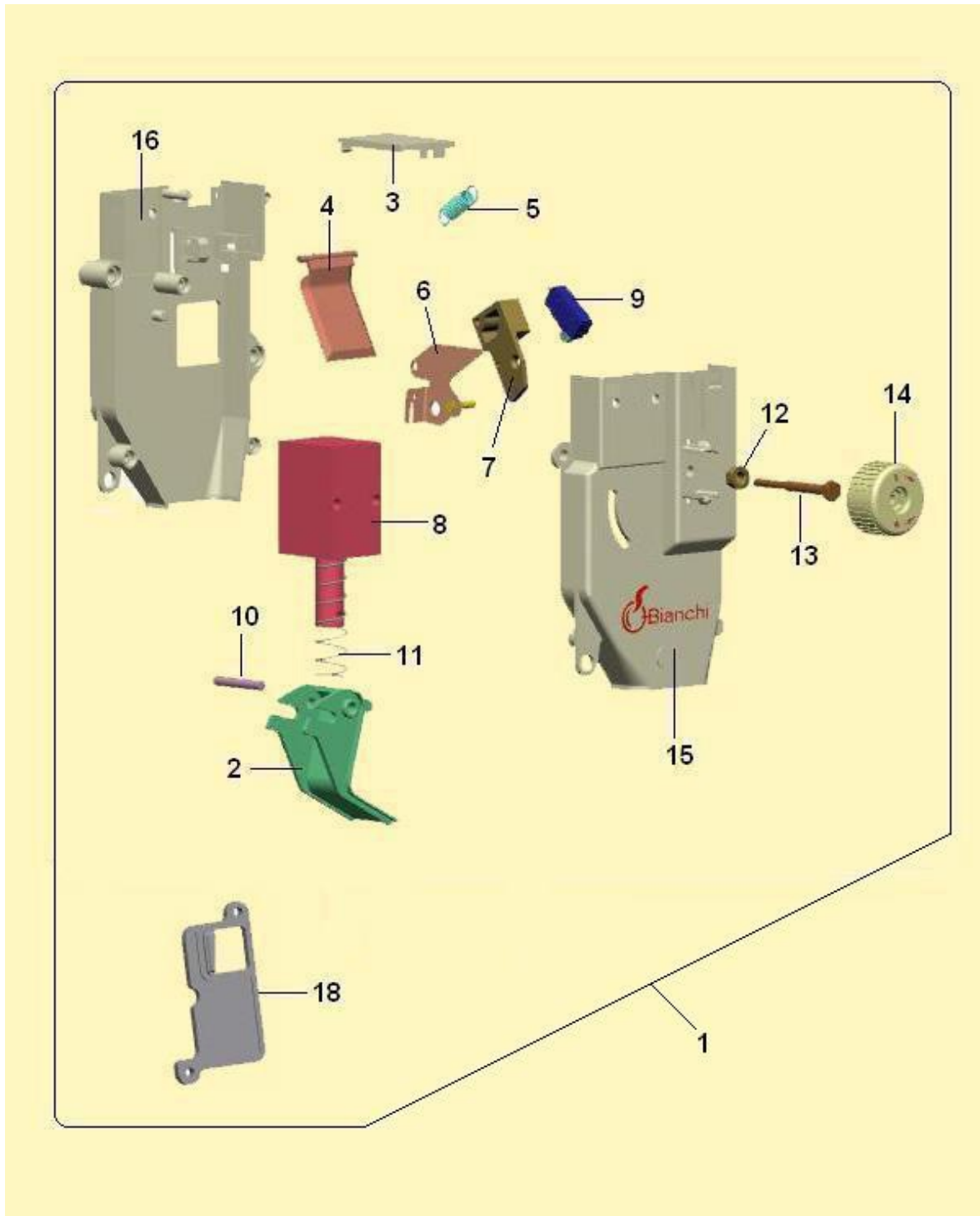




## PISTON ASSEMBLY(7) - Items detail

Position	SPARE PARTS CODE VARIANT	Accessories	DESCRIPTION	For each main Item multiply q.ty by
1	05138130-01		Cegasa coffee-gr. piston assy	
2	05107725		piston filter knob	
3	07017611		piston spring	
4	36210916		OR2021 gasket	
5	05148032-01		Piston with valve seat	
6	36211816		OR4112 gasket	
7	36212116		OR2010 gasket	
8	16014812		filter assy	
9	09087873M57		black am 3x6 silicon pipe	
10	07017511		piston block rod	

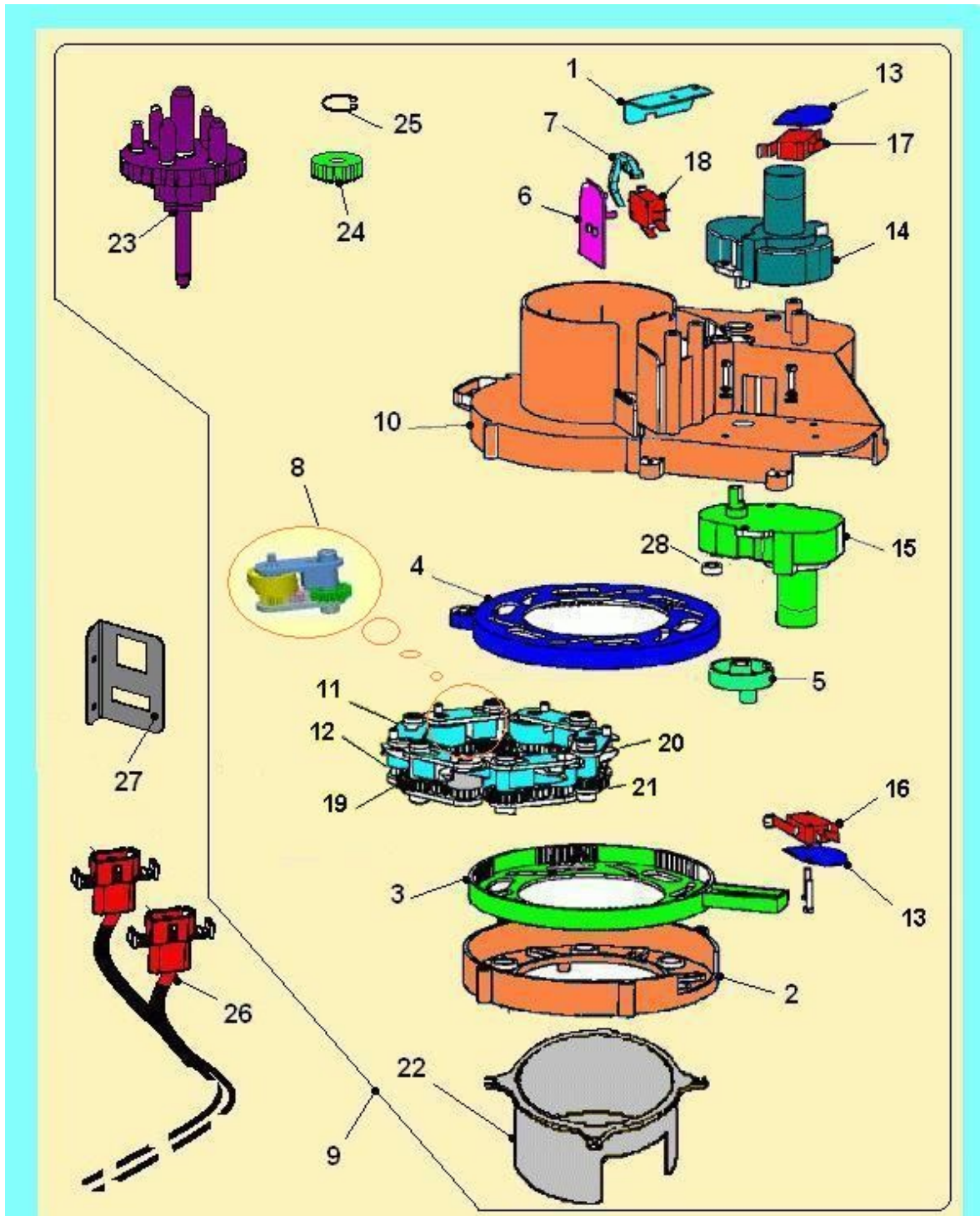
Table: COFFEE DOSER ASSEMBLY (539)



## COFFEE DOSER ASSEMBLY (539) - Items detail

Position	SPARE PARTS CODE VARIANT	Accessories	DESCRIPTION	For each main Item multiply q.ty by
1	43002410-02		doser assy with spacer	
2	05135115-01		coffee doser tray	
3	05135025		top cover for doser	
4	05135315		coffee doser mobile wall	
5	07020611		spring	
6	01586212-02		MICRO SUPPORT	
7	05154615		micro. coffee-dos. support	
8	20019146-01		magnet 5% 24v dc	
9	26029616		microswitch with cable(proof)	
10	33051716		4x25 IX parallel pin	
11	07020511-01		magnet spring	
12	34115316		M4 nut with washer	
13	19058911		adjusting screw for micro	
14	05135215		dose adjustment knob	
15	05134815		Doser front cover	
16	05134925		Doser rear cover	
18	05155615-01		spacer	

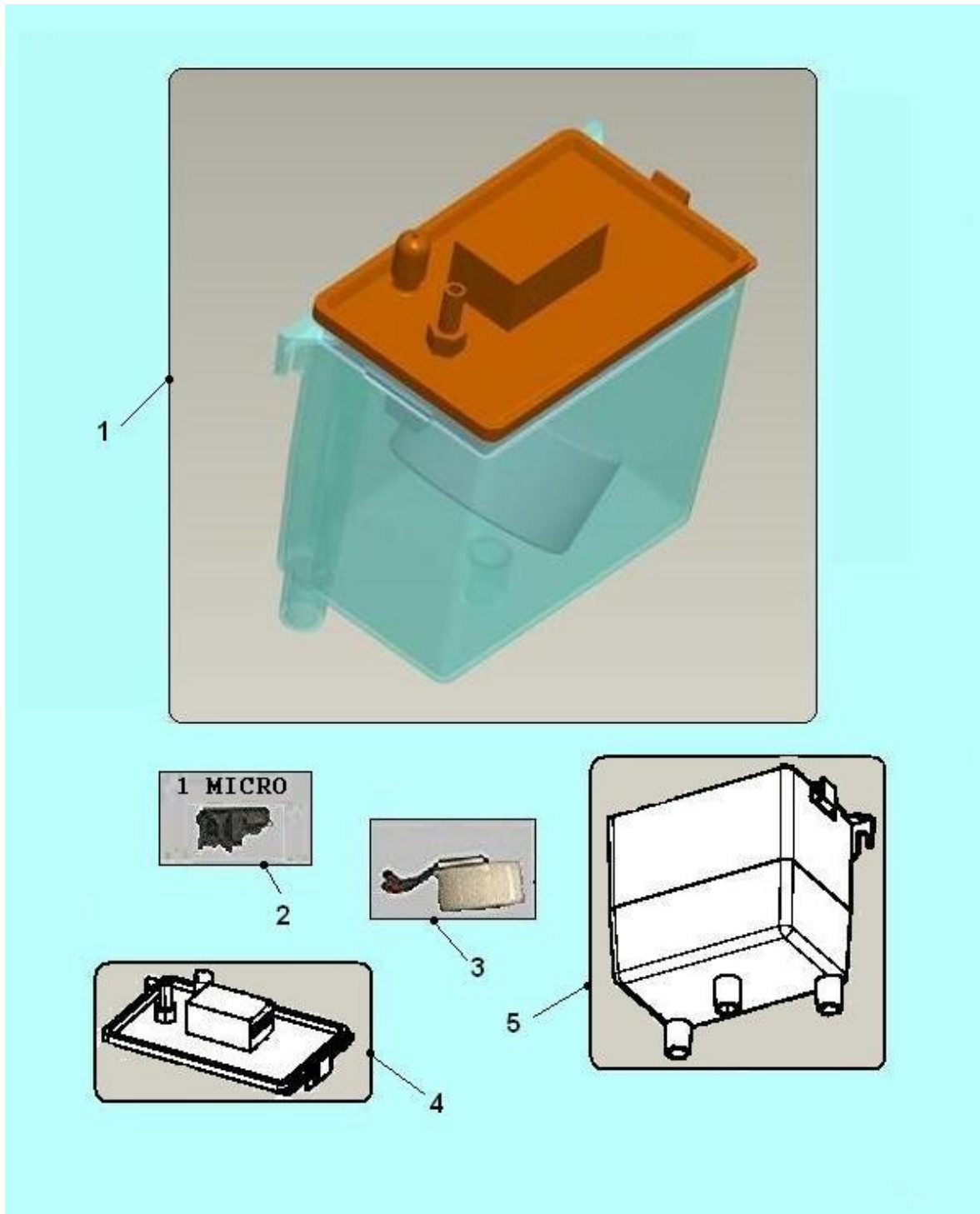
Table: CUPS DISPENSER PARTS (628)



## CUPS DI SPENSER PARTS (628) - Items detail

Position	SPARE PARTS CODE VARIANT	Accessories	DESCRIPTION	For each main Item multiply q.ty by
1	01576411		microswitch support bracket	
2	05120615M37		cupdispencer lower cover brown	
3	05120815M37		cups ejecting ring brown	
4	05120915M37		cup diam.regulation ring brown	
5	05121115		ring movement cam	
6	05121215-01M37		Cup dispen.microswitch supp.br	
7	05121315-02		cup presence sensor	
8	05131020		ASS.CHIOCCIOLA SG.BICCH.	
9	28007110-01		ASS.SG-BICCH.OR-SI-ANT	
10	05140115M37		upper cover c/pop brown	
11	05121915		upper cochlea support	
12	05121715		cup disp. Neutal pinion	
13	08004111		microswitch insulation	
14	20018416-01		24VDC 12RPM 2,2nF 100V gearmot	
15	20019316-01		24V DC gearmotor (NEW)	
16	26005136		microswitch with wheel	
17	26005156		micro with lever	
18	26017016		micro without lever 10gr-	
19	05121525		CHIOCCIOLA SG-BIC C/INVITO	
20	05121615		cup dispenser cochlea movem.pi	
21	05121815		lower cochlea support	
22	05121015		pegaso funnel	
23	05136015		cam for cup turret rotation	
24	05136115		cup dispenser motor pinion	
25	37003116		ring	
28	05136215		bush	

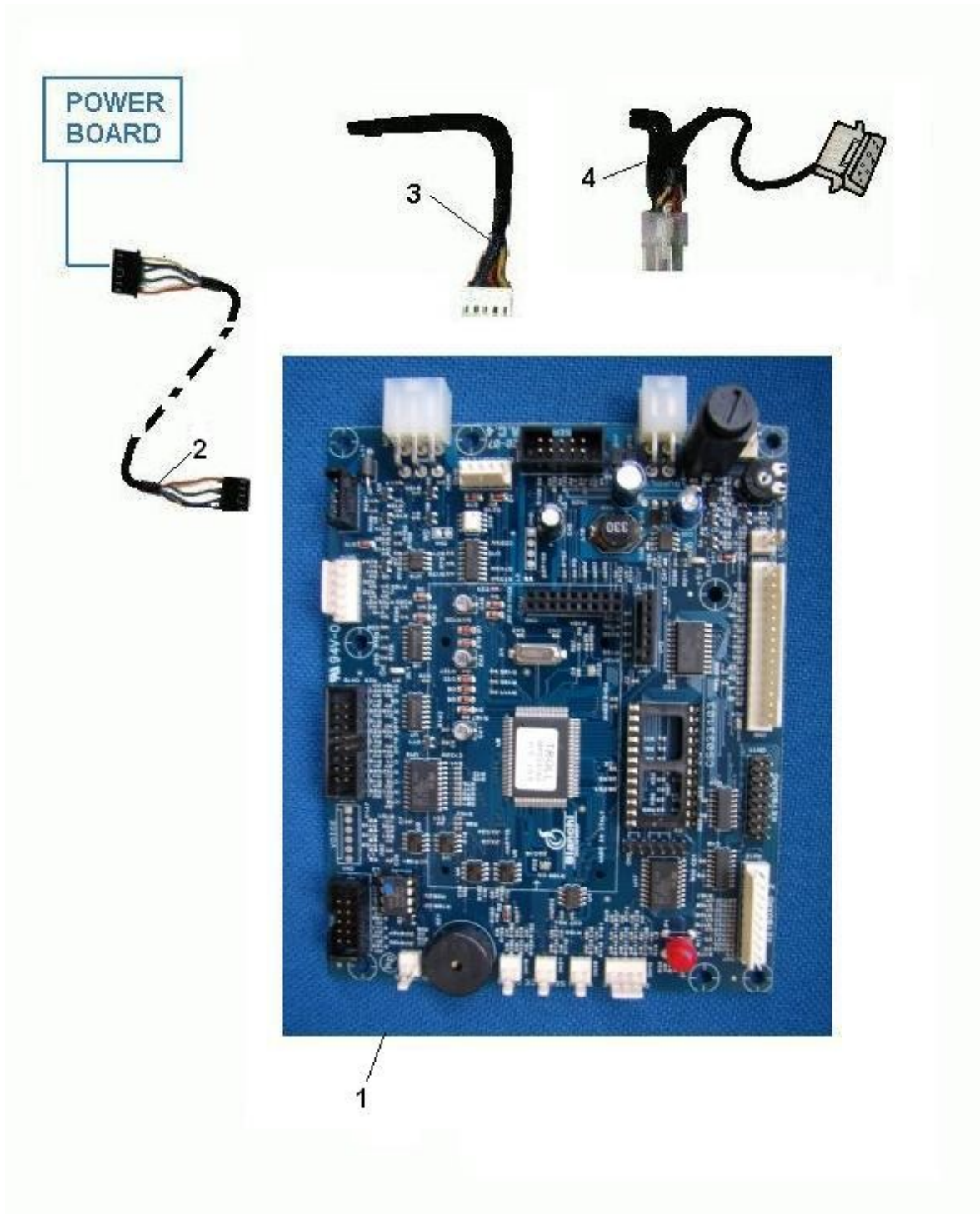
Table: AIR BREAK ASSY W/MICRO SW (784)



## AIR BREAK ASSY W/MICRO SW (784) - Items detail

Position	SPARE PARTS CODE VARIANT	Accessories	DESCRIPTION	For each main item multiply q.ty by
1	93012030		air break assy w/micro SW	
2	43025216		Micro SW1 plate X 9301203	
3	43000916		floater+support for 93012010ai	
4	43001016-01		Water tray cover with joint	
5	43001116		tank for 93012010 airbreak	

Table: MASTER BOARD - from serial number 07335378

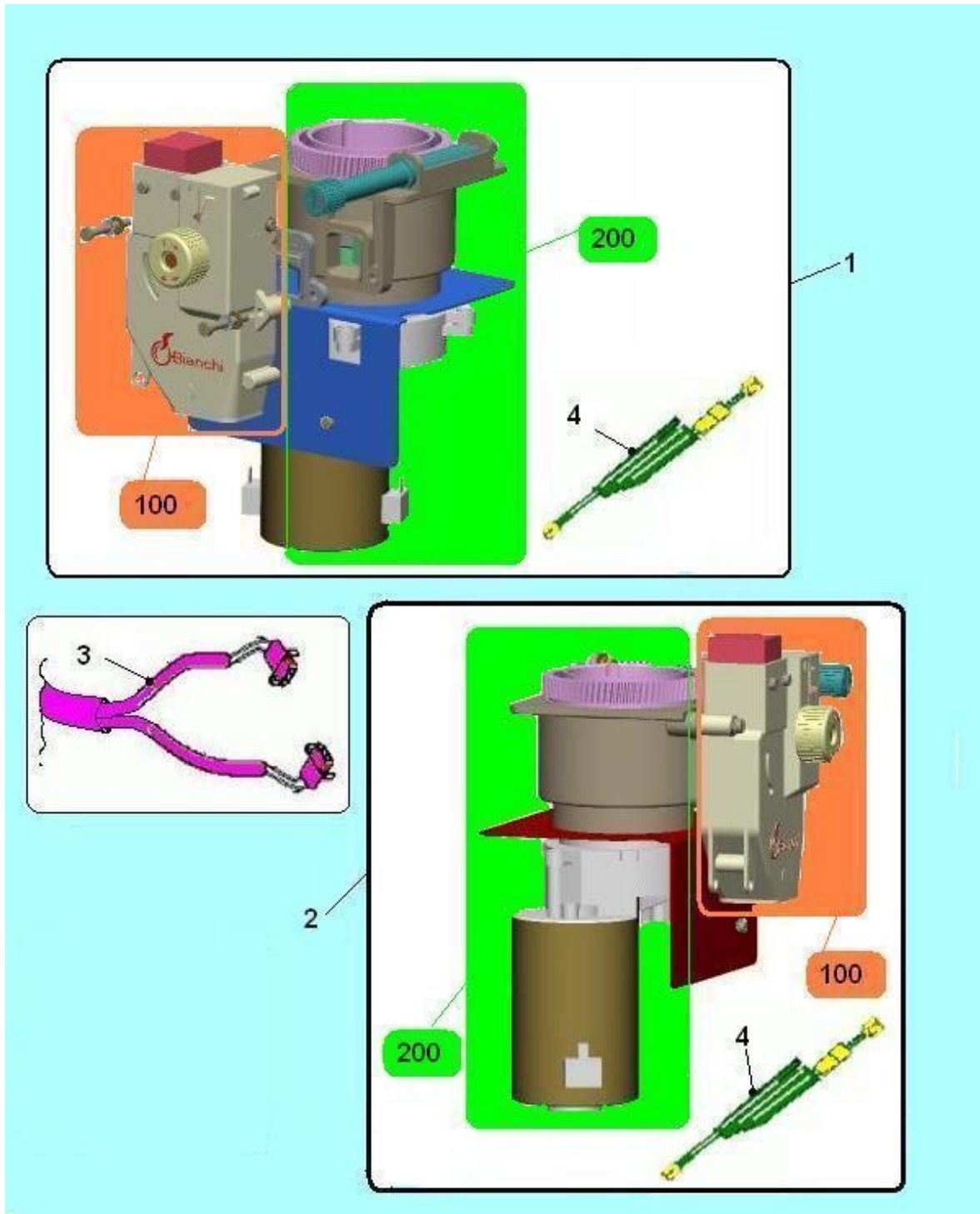




## MASTER BOARD - from serial number 07335378 - Items detail

Position	SPARE PARTS CODE VARIANT	Accessories	DESCRIPTION	For each main Item multiply q.ty by
1	26027336-02		Blue SMT w/micro256K CPU board	
2	43020012		cable from Master B.SMT to Pow	
3	22084222-01		executive cable	
4	22172312		bvm970mdb+executive supply cab	

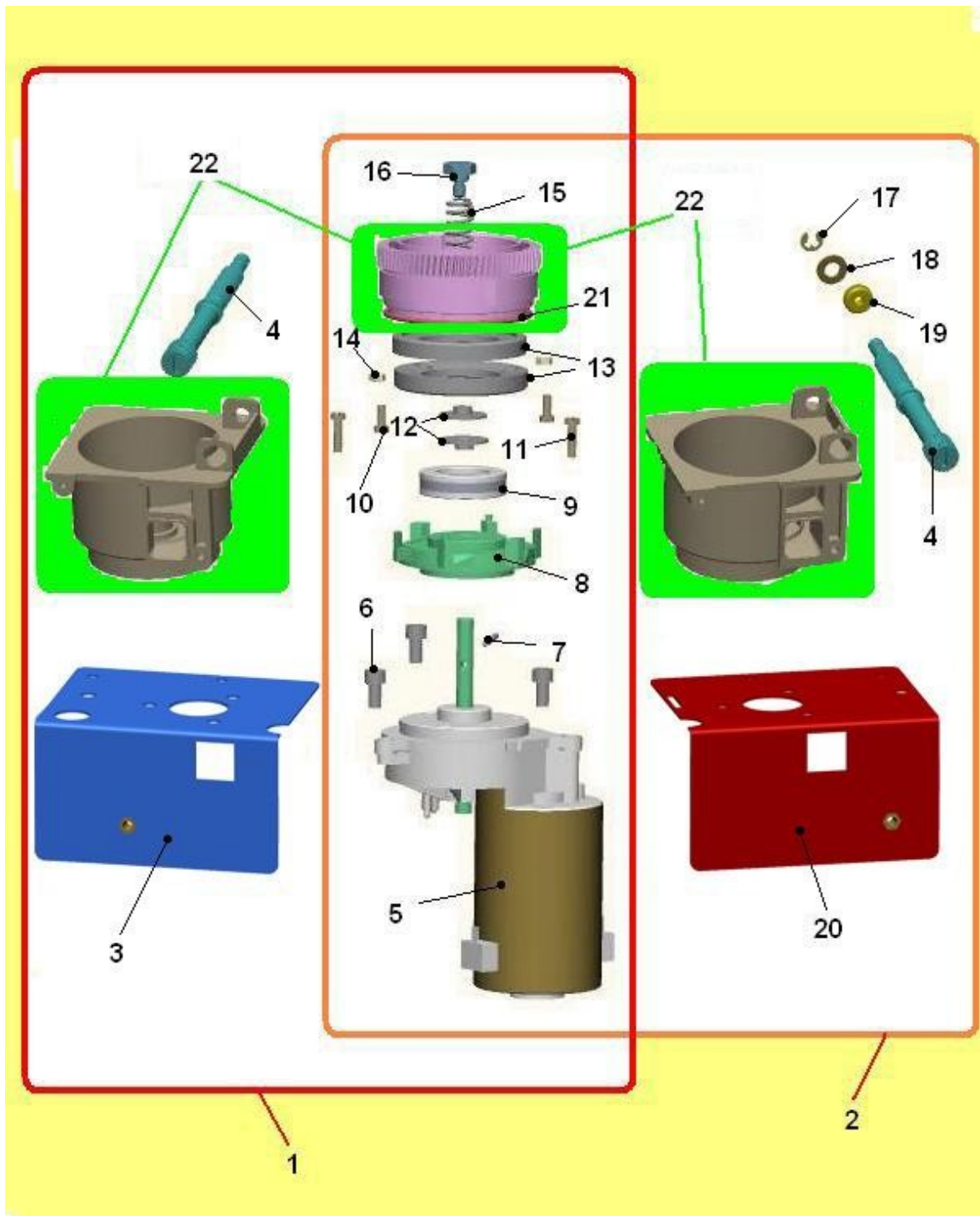
Table: COFFEE GRINDER - DOSER (817)



## COFFEE GRINDER - DOSER (817) - Items detail

Position	SPARE PARTS CODE VARIANT	Accessories	DESCRIPTION	For each main Item multiply q.ty by
1	96057650-02		C/O MACINADOS. CAFFE SX BV972	
2	96057640-02		C/O MACINADOS. CAFFE DX BV972	
3	22175712-01		CABLAGGIO DOPPIO MACININO	
4	22126622		AMETEK FAST 4,8 grinder motor	
100	See Table "COFFEE DOSER ASSEMBLY (539)" - Pag. 71			
200	See Table "GRINDER WITH VERTICAL MOTOR (816)" - Pag. 81			

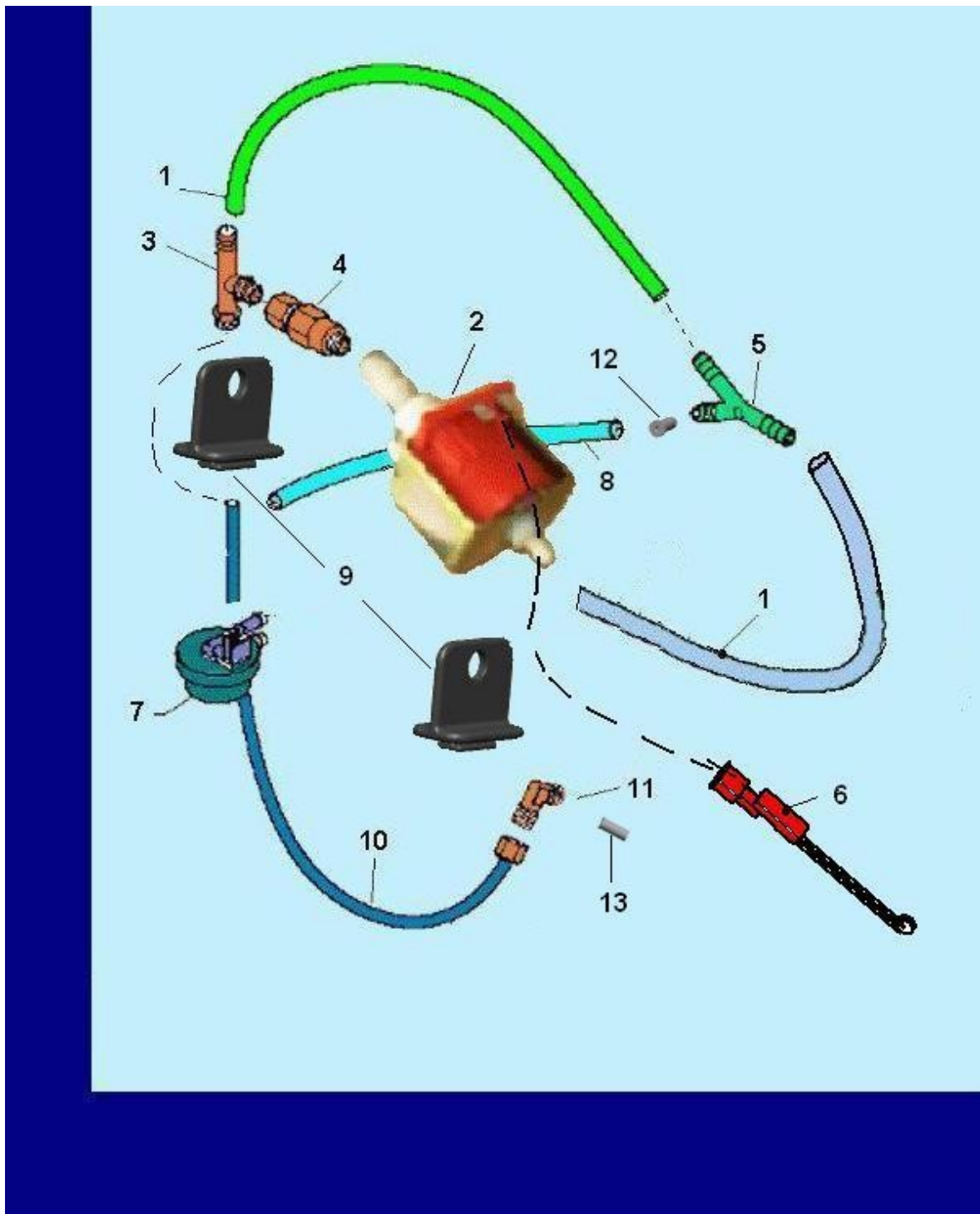
Table: GRINDER WITH VERTICAL MOTOR (816)



## GRINDER WITH VERTICAL MOTOR (816) - Items detail

Position	SPARE PARTS CODE VARIANT	Accessories	DESCRIPTION	For each main Item multiply q.ty by
1	86001350-02		ASS.MACININO CAFFE SX BVM 972	
2	86001340-02		ASS. MACININO CAFFE DX BVM 972	
3	01926922		LT grinder fixing plate assy	
4	05134715		grinder adjustment screw	
5	20020616		24VDC grinder Ametek gearmotor	
6	32135316		MA6X12 cross-headed embedded h	
7	12017411		wire D30x30	
8	13008211-02		PORTAMACINE MOBILE	
9	19059216		bearing	
10	32060516		4MAx10 screw	
11	32060816		4MAx16 TCscrew	
12	19060411		bush with washer	
13	18007326		MACINA MACININO D. 64 12 DENTI	
14	34102816		4MA hex nut	
15	07020411		grinder holder spring	
16	19059021		screw for ametek spring	
17	37001116		Ø 6 seeger ring	
18	35168826		ROND-PIANA D.8,4x15,5x1,2±0,0	
19	23004086		cable damper(6*15 - rubber)	
20	01926912		ASS.PIASTRA FISS. MACININO DX	
21	36211316		O-ring 3262 NBR 70 SH	
22	43018910-01		grinder chamber assy w/knob	

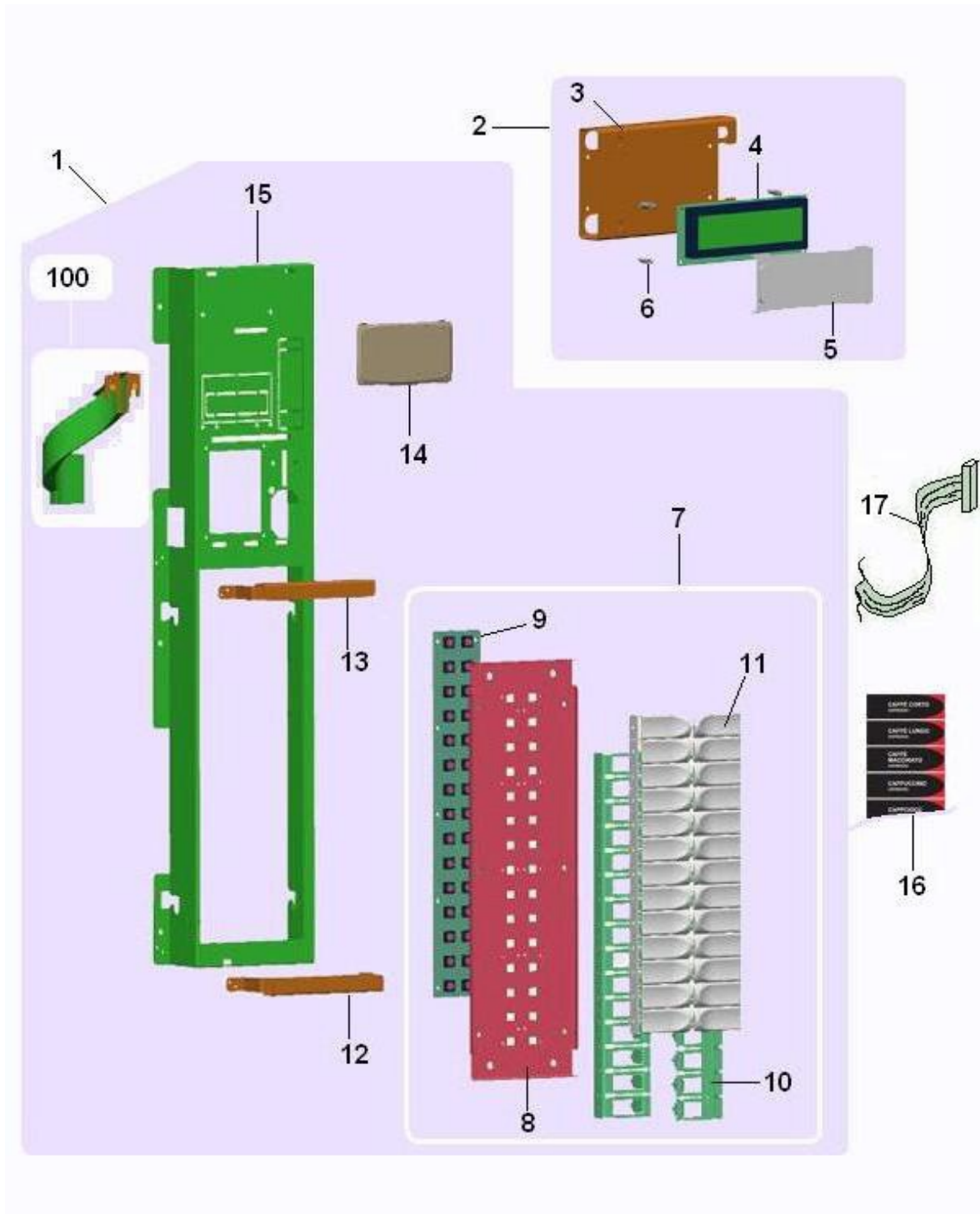
Table: WATER PUMP - FLOW SENSO (830)



## WATER PUMP - FLOW SENSO (830) - Items detail

Position	SPARE PARTS CODE VARIANT	Accessories	DESCRIPTION	For each main Item multiply q.ty by
1	09087823M57		5x9 silicon pipe black am	
2	27003316		EX5 230V-50Hz Ulka electropump	
3	04040916-01		11BAR PRO SAFETY VALVE	
4	04041016		anti return valve male/female	
5	05240015M00		3ways connector 9mm ext.	
6	25022616		clixon 100°	
7	24012116		flow sensor	
8	09029763-01		5x9 transparent silicone pipe	
8	09087823M57		5x9 silicon pipe black am	
9	05259515M09		SUPP. POMPA ULKA/FLUIDOTECH	
10	09085423		4x6 teflon pipe	
11	04035326		elbow connection	
12	05102215M57		RIDUT.CAM-MISCELAZ. NERO AM	
13	19004326		reinforcing bush	

Table: KEYPAD - DISPLAY (984)





## KEYPAD - DISPLAY (984) - Items detail

Position	SPARE PARTS CODE VARIANT	Accessories	DESCRIPTION	For each main Item multiply q.ty by
1	01854410		ASS. INTERFACCIA STD BV952	
2	01857210		ASS. DISPLAY BVM 95/97	
3	01793011-01		Display support plate	
4	26047916		NEW DISPLAY 16X2	
5	05232515M00		display transp.protection	
6	33071766		displat spacer L-8	
7	26048220		keypad assy (BVM951)	
8	01795112		Keypad plate assy	
9	26048016		BVM951/971 keypad board	
10	01793711		Buttons support plate	
11	05232415M00		selection button	
12	01827111		BV9711VS lower keypad support	
13	01827011		BV9711VS upper keypad support	
14	05233715M00		transp.info upper panel BVM951	
15	01839412-03		ASS. MASCHERA STD	
16	30262811		selection labels BVM951/971	
17	22175422		16pins flat cable 900mm	
100	See Table "INTRODUZIONE E RECUPERO MONETA (985)" - Pag. 9			