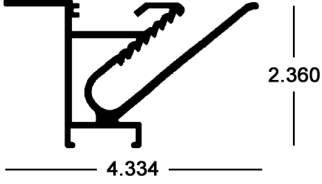
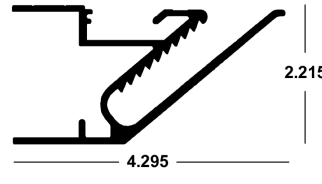
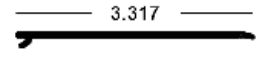


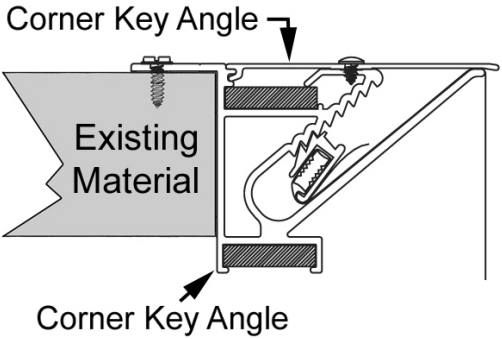
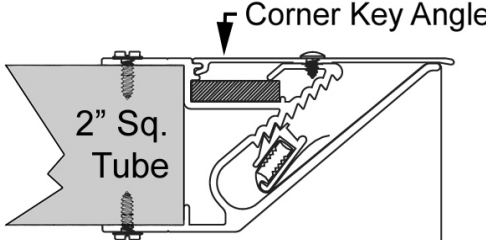

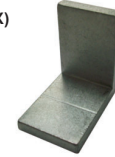

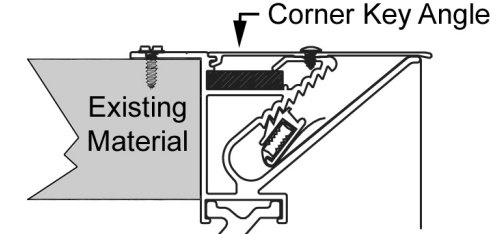
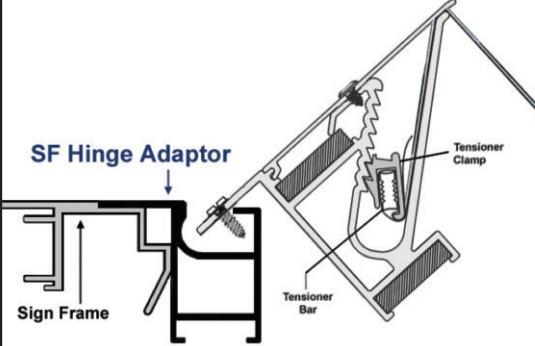
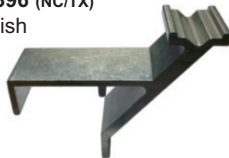

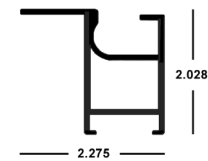


Flex Face Signage - BLEED FRAME

Accessories

<p>Bleed Retro Frame x 24' 6" 24-63-305 (NC/TX) Mill Finish Accepts Bleed Retainer 24-63-320</p>  <p>UL Recognized Component System The Underwriters Laboratory file number is: E136850</p>	<p>Bleed Frame x 24' 6" 24-63-300 (NC/TX) Mill Finish Accepts Bleed Retainer 24-63-320 accepts 2" Square Tube</p>  <p>UL Recognized Component System The Underwriters Laboratory file number is: E136850</p>	<p>Bleed Retainer x 24' 6" 24-63-320 (NC) Mill Finish Mates with Bleed Retro Frame 24-63-305 & Bleed Frame 24-63-300</p> 	<p>Tensioner Clamp x 2" 24-63-390 (NC/TX) Mill Finish Mates with Tensioner Bar 100 pcs per box</p> 
			<p>Tensioner Bar x 4" 24-63-391 (NC/TX) Mill Finish Mates with Tensioner Clamp; Mates with 3M Wedge Clamp 100 pcs per box</p> 

Flex Face Signage - BLEED FRAME Assembly Drawings

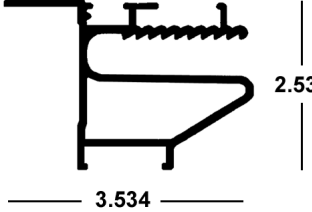

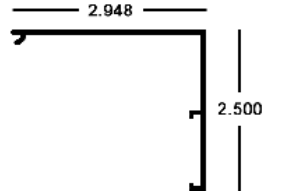


<p>Bleed Retro Frame Assembly</p> 	<p>Bleed Retro Frame Assembly with Frame Brace</p> 	<p>Retainer Corner Key 24-63-395 (NC/TX) Mill Finish</p> 
		<p>1/4" Frame Corner Key Angle x 1-1/16" 24-63-393 (NC/TX) Mill Finish</p> 
		<p>1/4" Divider Corner Key Angle x 1-1/16" 24-63-394 (TX) Mill Finish with notches and hole</p> 
<p>Bleed Retro Frame Assembly with Frame Brace</p>  <p>1.5" Wide Tube Add Shim</p>	<p>Hinge Adaptor Assembly with Bleed Retro Frame</p> 	<p>Frame Brace x 1-1/2" 24-63-396 (NC/TX) Mill Finish</p> 
		<p>Tensioner Tool x 15.25" 24-63-392 (NC/TX)</p> 
		<p>Sign Frame Hinge Adaptor x 24' 6" 24-63-335 (NC/TX) Mill Finish</p> 

SIGNAGE 06

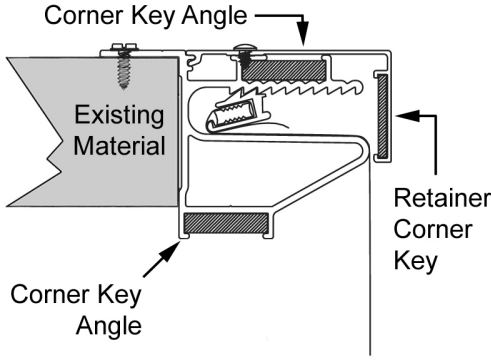
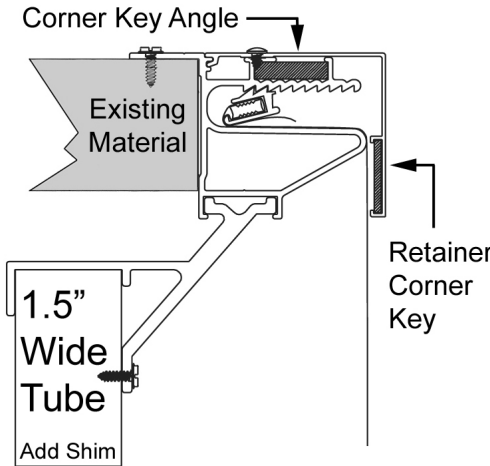



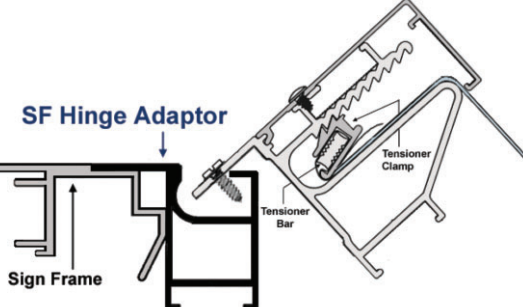


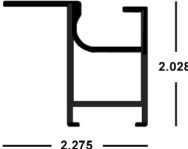


Flex Face Signage - FLEX FRAME

Accessories

<p>Flex Retro Frame x 24' 6" 24-63-315 (NC/TX) Mill Finish <i>Mates with Flex Retainers 24-63-330 & 24-63-325</i></p>  <p>UL Recognized Component System The Underwriters Laboratory file number is: E136850</p>	<p>1-1/2" Flex Retainer x 24' 6" 24-63-330 (NC/TX) Mill Finish <i>Mates with Flex Retro Frame 24-63-315</i></p> 	<p>2-1/2" Flex Retainer x 24' 6" 24-63-325 (NC/TX) Mill Finish <i>Mates with Flex Retro Frame 24-63-315</i></p> 	<p>Tensioner Clamp x 2" 24-63-390 (NC/TX) Mill Finish <i>Mates with Tensioner Bar 100 pcs per box</i></p> 
			<p>Tensioner Bar x 4" 24-63-391 (NC/TX) Mill Finish <i>Mates with Tensioner Clamp; Mates with 3M Wedge Clamp 100 pcs per box</i></p> 

Flex Face Signage - FLEX FRAME Assembly Drawings

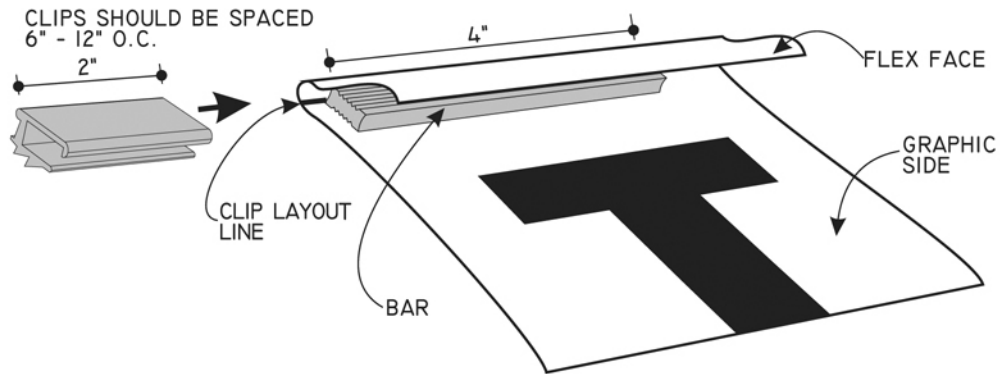
<p>Flex Frame Assembly</p> 	<p>Flex Frame Assembly with 1-1/2" Flex Retainer & Frame Brace</p> 	<p>Retainer Corner Key 24-63-395 (NC/TX) Mill Finish</p> 	
		<p>1/4" Frame Corner Key Angle x 1-1/16" 24-63-393 (NC/TX) Mill Finish</p> 	
		<p>1/4" Divider Corner Key Angle x 1-1/16" 24-63-394 (TX) Mill Finish with notches and hole</p> 	
<p>Hinge Adaptor Assembly with Flex Retro Frame</p> 			<p>Frame Brace x 1-1/2" 24-63-396 (NC/TX) Mill Finish</p> 
		<p>Tensioner Tool x 15.25" 24-63-392 (NC/TX)</p> 	
		<p>Sign Frame Hinge Adaptor x 24' 6" 24-63-335 (NC/TX) Mill Finish</p> 	

SIGNAGE 07

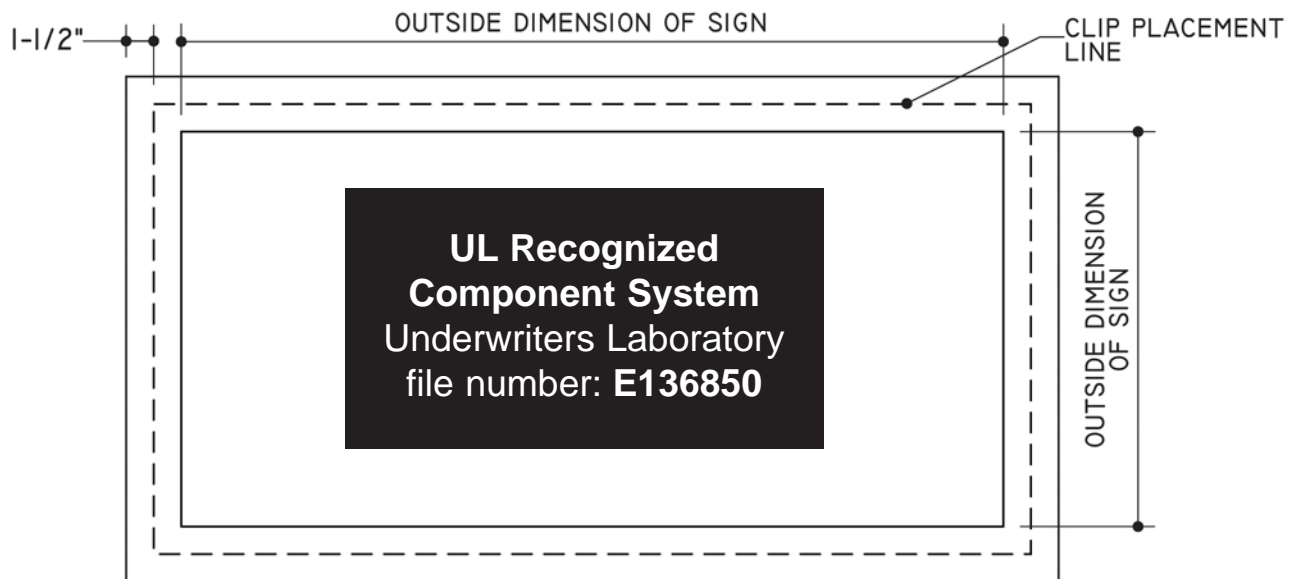
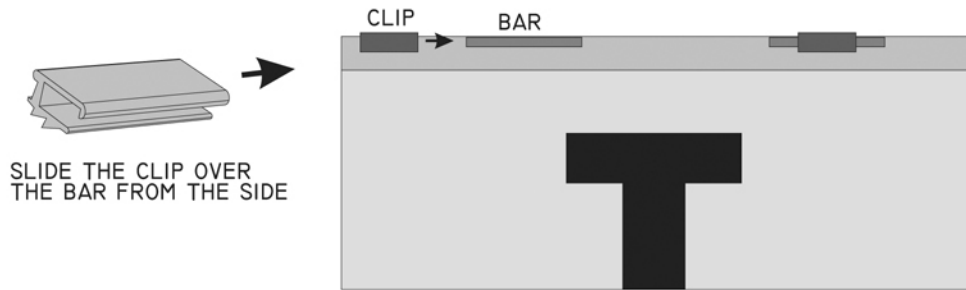


MEASUREMENTS AND PREPARATION INSTRUCTIONS

FOR BLEED FRAME & RETRO BLEED FRAME - FLEX FRAME & RETRO FLEX FRAME



WITH THE FACE LAID OUT WITH THE GRAPHICS FACING UP, PLACE THE BAR AS SHOWN AND SLIDE THE TENSIONING CLIP OVER THE BAR WITH THE FACE WRAPPED AROUND IT. INSTALL THE CLIP WITH THE FLAT SIDE UP.



BLEED FRAME & RETRO BLEED FRAME: ADD 9" TO OUTSIDE DIMENSIONS OF SIGN.

FLEX FRAME & RETRO FLEX FRAME: ADD 5" TO OUTSIDE DIMENSIONS OF SIGN

CLIP PLACEMENT: IS 1-1/2" FROM OUT SIDE OF CUT FABRIC.

MITER CUT BOXES, THE FIRST AND LAST CLIP PLACEMENT:

BLEED FRAME AND RETRO BLEED: 6-1/2" FROM THE OUTSIDE OF CUT FABRIC.

FLEX FRAME AND RETRO FLEX FRAME: 4-1/2" FROM THE OUTSIDE OF CUT FABRIC.

FLEX FACE INSTALLATION:

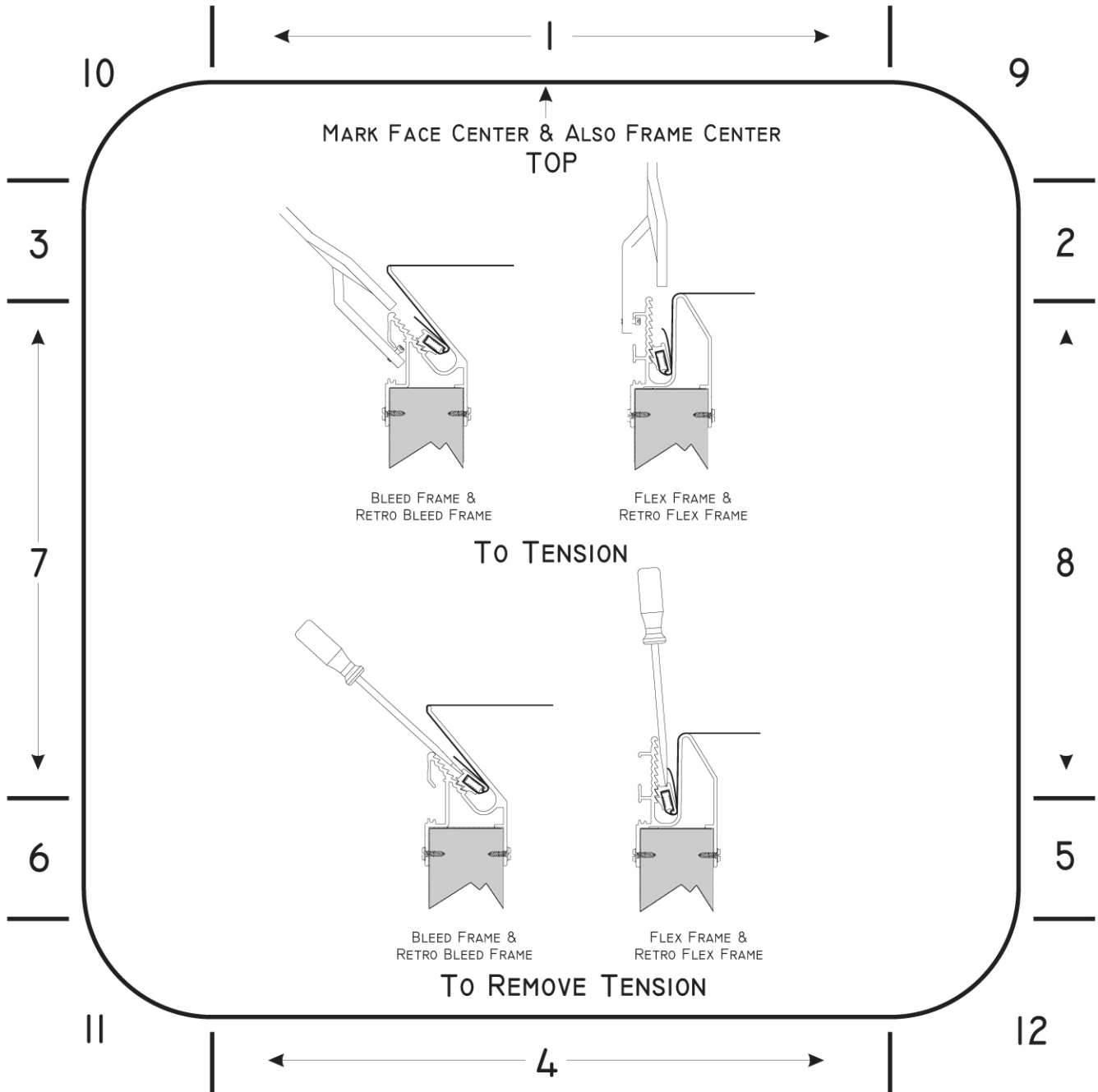
Bleed Frame/Retro Bleed Frame & Flex Frame/Retro Flex Frame

UL Recognized Component System UL file number: E136850

INSTALL & TENSION FACE HORIZONTALLY OR VERTICALLY

TOOLS REQUIRED: TENSIONING TOOL, SCREW DRIVER OR CHISEL.

TO TENSION: ENGAGE TENSIONER TO 1ST TOOTH. ONCE ALL TENSIONER ARE LOOSELY ENGADED, THEN BEGIN THE SLACK REMOVAL BY DRIVING TENSIONERS DOWN 1 TOOTH AT A TIME IN SYSTEMATIC ORDER AS INDICATED BY NUMBERS 1-12.



TO REMOVE TENSION - PRY TENSIONER AWAY FROM TEETH AND TENSIONER WILL DISENGAGE. AS SLACK OCCURS IN FLEX FACE THE TENSIONER MAY BE WITHDRAWN BY PULLING AT THE CORNERS.