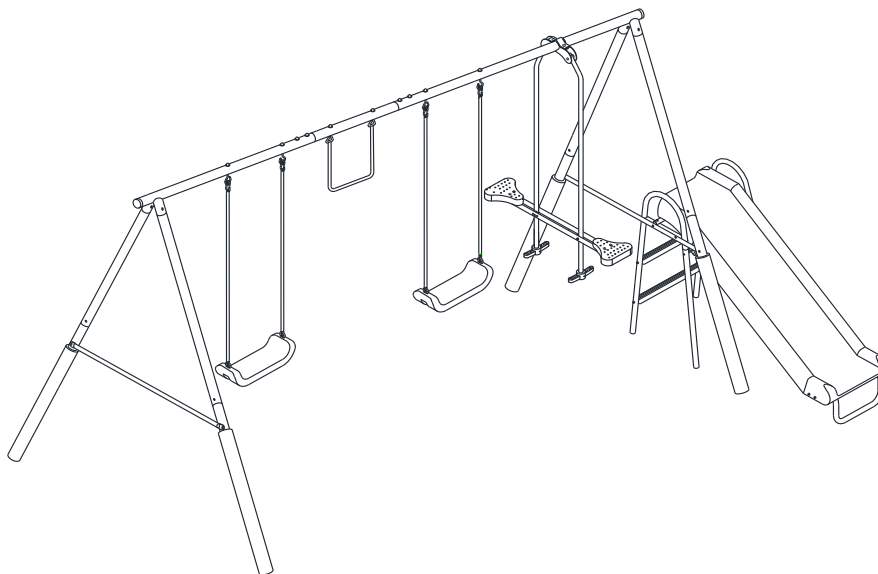




Model # 74303

## "Blue Ridge Play" - 4 Leg Swing Set



Assembled dimensions are 128" x 93" x 75". Allow 6 - 12 ft of clearance around the perimeter of the swing set area when fully assembled.

### OWNER'S MANUAL, ASSEMBLY INSTRUCTIONS, CARE, MAINTENANCE AND USER'S GUIDE



## WARNING!

Please read this entire instruction and assembly manual completely before proceeding. You must follow all safety instructions while using this equipment. The surface area where this swing set is set up must be level and free of all debris. This set is designed to be anchored into the ground and is not to be set up on any hard surfaces such as concrete, hardened soil, or asphalt. Proper surfacing under and surrounding the set adds to the safety level such as sand or mulch. Read all cautionary statements on the following pages before using this equipment and save this instruction manual. **DO NOT ALLOW CHILDREN TO PLAY ON THIS GYM SET UNSUPERVISED! CONSTANT ADULT SUPERVISION IS REQUIRED.** Do not use when raining or during any inclement weather (i.e. rain, sleet, snow, ice, high winds, thunderstorms. or lightning). **DO NOT ALLOW CHILDREN TO JUMP ON OR CLIMB UP ON THIS SET'S TOP BAR.**

For warranty details and registration card see the back page of this manual.

**FOLLOW ALL ASSEMBLY INSTRUCTIONS AS WRITTEN IN THIS MANUAL**

**Please retain sales receipt for warranty purposes. DO NOT RETURN THE SET TO THE STORE.**

If replacement parts or customer service is needed please contact XDP Recreation by email at [service@xdp-recreation.com](mailto:service@xdp-recreation.com) or by calling 1-866-884-0535 between 8:00am and 5:00pm (Eastern Standard Time), Monday - Friday. This gym is designed to be used safely by up to six (6) children, ages 3 years to 8 years, with weight capacity of 100 lbs per child or total combined weight limit of 600 lbs for all six (6) children. This play gym is designed for backyard use only and is NOT intended for playgrounds, schools, day care facilities, nurseries or other public places. **Follow all assembly instructions carefully and as directed in this manual.** This gym conforms to all safety requirements by ASTM for Home Playground equipment when properly assembled using the instructions enclosed. Adult assembly is required. Contains small parts. **For proper stability and safety this gym set should be installed with ground anchors.**

**IF NEEDED, GROUND ANCHORS CAN BE BOUGHT FROM THE STORE YOU PURCHASED THIS SET AT  
OR BY PURCHASING FROM XDP RECREATION'S WEBSITE AT [www.xdp-recreation.com](http://www.xdp-recreation.com)**

XDP RECREATION LLC, 5910 SHILOH ROAD EAST, UNIT 108, ALPHARETTA, GEORGIA 30005

---

# IMPORTANT INSTRUCTIONS AND WARNINGS

---

## WARNING

### READ ALL INSTRUCTIONS BEFORE ASSEMBLING OR USING THIS EQUIPMENT

#### AGE LIMIT

- This product is designed to be used by up to six (6) children between the ages of 3 to 8. Maximum user weight is 100 pounds (45 kg) each with a combined maximum weight of 600 pounds (272kg).
- The play set is designed for children over three (3) years of age up to (8) years of age. Use by smaller children can result in entrapment.
- On-site adult supervision is required at all times for children of all ages.
- Do not allow use by children with any physical condition that may affect his/her ability to use this equipment safely.

#### BEFORE YOU BEGIN

- Carefully read all instructions in this manual before assembling and using this product.
- The unit must be assembled by adults. Heavy duty working gloves must be worn to avoid injuries during assembly.
- **Children must not use the equipment until it is properly assembled and anchored.**
- **Adult supervision is required during the use of this equipment at all times.**
- Unpack all parts. Take a complete inventory of all parts and hardware using the parts and hardware lists in the following pages. If any parts are missing, do not return to the store. Please call customer service toll-free number listed on the cover page for assistance. Store the product back in the original box and do not begin to install until all parts are obtained.

#### LOCATION OF PLAY SET

- The equipment must be placed more than six (6) feet (1.8 meters) from any structures or obstructions, including but not limited to buildings, fence, garage, trees, laundry lines, electrical wires. Children can be seriously injured running or swinging into obstacles.
- **The play set must be installed on level ground.** Uneven ground must be leveled prior to installation. Installation on sloping or uneven ground will put stress on the joints, causing the unit to become loose and unstable which may result in serious injuries.
- Remove any tripping hazards from the safe play area, such as roots, tree stumps, rocks, landscaping, sprinkler heads, railroad ties, plumbing and electrical connections.
- **Windy conditions: it is possible for the product to be blown about by a high wind. if you anticipate high winds, the frame should be secured to the ground with the use of an Anchor kit. If you anticipate severe winds, the product should be moved to a sheltered location or completely disassembled. Anchor kits can be ordered directly from XDP RECREATION at <https://www.xdp-recreation.com> or by calling 1-866-844-0535.**

- **Do not install your play set over hard surface, e.g. asphalt, concrete, packed earth, tile or brick floor. A fall onto a hard surface can result in serious injury or death to the user.** The following is a list of recommended ground covers from the Consumer Product Safety Commission:

<u>SUGGESTED MATERIAL</u>	<u>UNCOMPRESSED DEPTH</u>
Double Shredded Bark Mulch	9"
Uniform Wood Chips	12"
Fine Gravel	12"
Fine Sand	12"

The Consumer Product Safety Commission’s Outdoor Home Playground Safety Handbook recommends to install and maintain the playground equipment over at least 9 inches of wood chips, mulch or shredded rubber (for equipment up to 8 feet high) or sand or pea gravel (for equipment no more than 5 feet high) as shock absorbing material. Dirt and grass, which are the most prevalent surfaces under home playground equipment, do not adequately protect children from serious head injuries. Install protective surfacing at least six feet in all directions from play equipment. For swings, the surface should extend, in back and front, twice the height of the suspending bar. You should consult a local contractor about ways to secure the product in your location. Do not install your play set over hard surface, e.g. asphalt, concrete, packed earth, tile or brick floor. Please refer to the CONSUMER PRODUCT SAFETY COMMISSION’S OUTDOOR HOME PLAYGROUND SAFETY HANDBOOK for detailed guidelines to prevent injuries from falls and other hazards on public and home playgrounds.

**WARNINGS ON ANCHORING**

It is highly recommended the product be anchored into the ground to prevent movement and to make the swing set more stable during use.

Some consumers want an anchoring system that allows the product to be moved to different locations. Other consumers want to keep their swing set in a permanent location.

It is highly recommended that you seek the opinion from a local licensed contractor on the best way to secure the swing set in your location. The best way to anchor a product is to create a concrete footing and use that as a base for an anchor. Whatever method you prefer for your location, an anchoring system for this product should be used at all times.

**WEATHER CONDITIONS**

- **DO NOT** use this equipment if the swing seat, slide or any parts are wet. Use the play set only when the parts are clean and dry. If the equipment is wet, the user could slip and suffer injuries.
- Please be aware of weather conditions when using the equipment. If it is too windy, users could lose control and suffer injuries. The playground equipment must be properly anchored, stored away or restricted from use during inclement weather such as heavy winds or severe weather storms. You should consult a local contractor about ways to anchor the product in your location.

## PLAY SUPERVISION

- **DO NOT** allow more than one child to play on the individual swing or slide component at any one time.
- **DO NOT** allow children to stand on the slide, swing seats or glide ride. The glide ride is made for only two users at a time.
- **DO NOT** allow children to walk too close to moving parts. **ALWAYS** keep a safe distance to avoid being struck by other children while playing on swings, slides, and glide ride, etc.
- **DO NOT** allow children to hang upside down on the trapeze bar!
- **DO NOT** allow children to twist the swing chains or loop them over the top support bar as this may reduce the strength of the chain.
- **DO NOT** swing empty seats as this may cause injuries.
- **ALWAYS** guide children to sit in the center of swinging parts, with their full weight placed in the seat center and holding on to the swing chains.
- **DO NOT** allow children to jump off the equipment while it is in motion. **ALWAYS** come to a full stop before dismounting.
- **ALWAYS** dress children appropriately for proper play, e.g. wear well-fitted rubber sole shoes, and remove loose or sharp items such as jewelry, hair accessories, scarves which may become entangled in the equipment or cause injuries.
- **ALWAYS** make sure children remove their bike or other sports helmets before playing on the playground.
- **DO NOT** allow children to slide down the slide head first.
- **DO NOT** allow children to climb onto swing or jump to/from different play areas of the equipment.
- **ALWAYS** return safely to the ground before approaching another play area.
- **DO NOT** allow children to climb on structural parts (e.g. legs, top bar). These are structural components and are not designed for play.
- **ALWAYS** check the slide or other parts exposed to the body for extreme heat from the sun before allowing children to use the equipment.
- **ALWAYS** prevent access and secure from any unauthorized use when there is no adult supervision.
- **DO NOT** allow pets or other animals near the equipment to prevent damage or injuries.
- Adequate overhead clearance is essential. A minimum of 24 ft (7.3 meters) from ground level is recommended. Provide clearance for wires, tree limbs, and other possible hazards.
- Use the swing set in a well-lit area. Artificial illumination may be required for shady areas.

## **INSPECTION PRIOR TO EACH USE OR DAILY INSPECTION**

- **DO NOT** use the equipment if any bolts or nuts are missing or loose. **ALWAYS** check to ensure the equipment and all parts are well secured and stable before each use.
- **ALWAYS** clear the play area of any rocks, sharp objects, or any materials that could be potentially hazardous to users.
- **DO NOT** attach items to the equipment that are not specifically designed for use with the equipment, including, but not limited to, jump ropes, clothesline, pet leashes, cables and chains as they may cause choke hazards.
- The steel and plastic parts used in your product are subject to normal wear. Gradual deterioration of the material will occur, the speed of which will depend on the level of exposure to UV rays, airborne pollution, outdoor weather conditions such as rain and wind and the amount of use. You must inspect the equipment prior to every use. This includes, but is not limited to inspecting the set for cracks, excess wear, missing parts, loose connections, and for overall integrity. When the set shows any signs of weakness, you must stop using the play set immediately, properly store the set or restrict access by users until the condition is resolved.
- Verify that the chains are secured at both ends and tightened, so that there is no loose chain hanging that can result in choking hazard.

**When conducting inspections, it is recommended that you use the Suggested General Maintenance Checklist and Routine Inspection and Maintenance Issues checklists provided by the US Consumer Product Safety Commission, a copy of which is contained in this user manual.**

## **CARE & MAINTENANCE INSTRUCTIONS**

- Inspect all nuts and bolts twice monthly during the usage season for tightness and tighten as required. It is particularly important that this procedure is followed at the beginning of each season.
- Oil all metallic moving parts monthly during the usage period.
- Sand rusted areas on metal tubing and repaint using a non lead-based paint meeting the requirements of Title 16 CFR Part 1303.
- Check swing seats and chains monthly during usage season for deterioration. Replacements should be made in accordance with the manufacturer's instructions.
- Check all coverings for bolts and sharp edges twice monthly during usage season to be certain that they are in place and replace when necessary. It is especially important to do this at the beginning of each new season.
- Do not use when the temperature drops below 32 degrees F (0 degrees C); remove and store the plastic swing seats and slides indoors.

## **ANCHORING**

### **(NOTE: ANCHORS ARE NOT INCLUDED-MUST BE PURCHASED SEPARATELY)**

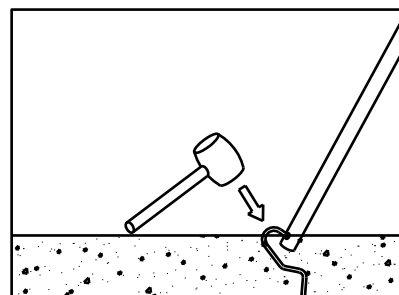
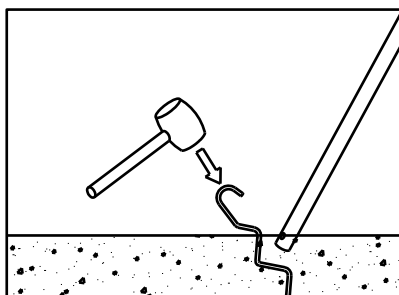
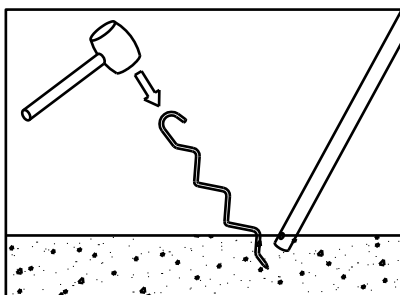
There are different ways of anchoring the equipment, depending on the type of ground on which the equipment is to be installed. Make sure that all anchors are below ground level to prevent tripping.

You should consult your local contractor to decide the most appropriate way to anchor the equipment in your location.

**The following anchoring options may be considered:**

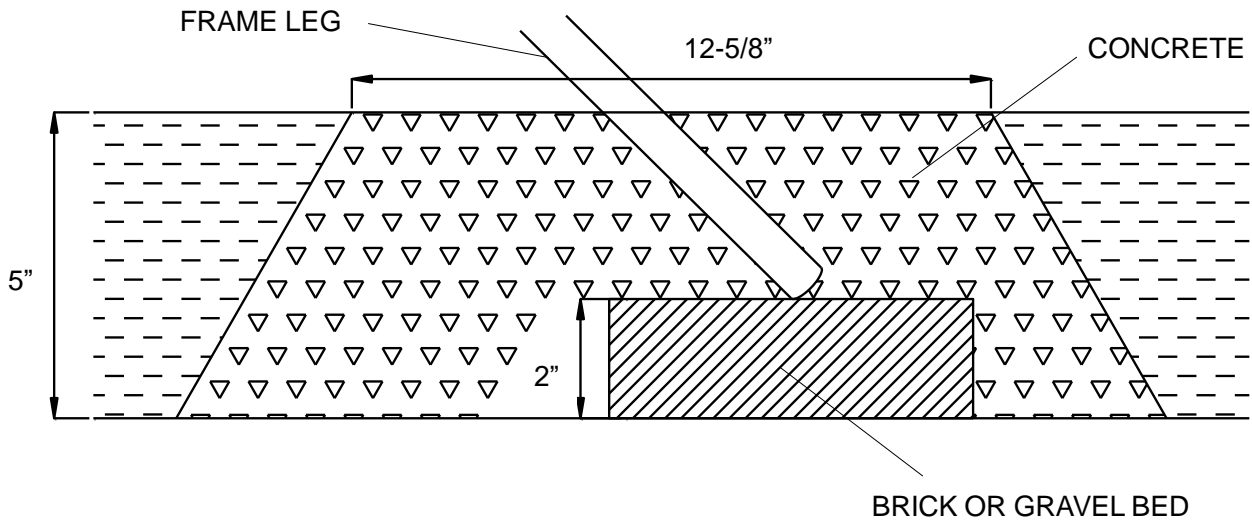
### **Corkscrew Anchoring (Corkscrew Anchors not included)**

- If your soil is hard (clay, etc.), the corkscrew method may be suitable.
- Be sure that the swing set is located on level ground.
- Twist the corkscrew anchor into the ground until only the end with the hook is above the ground and next to the leg. Insert the hook into the bottom opening of the leg. Ensure that the hook is secured onto the leg opening.



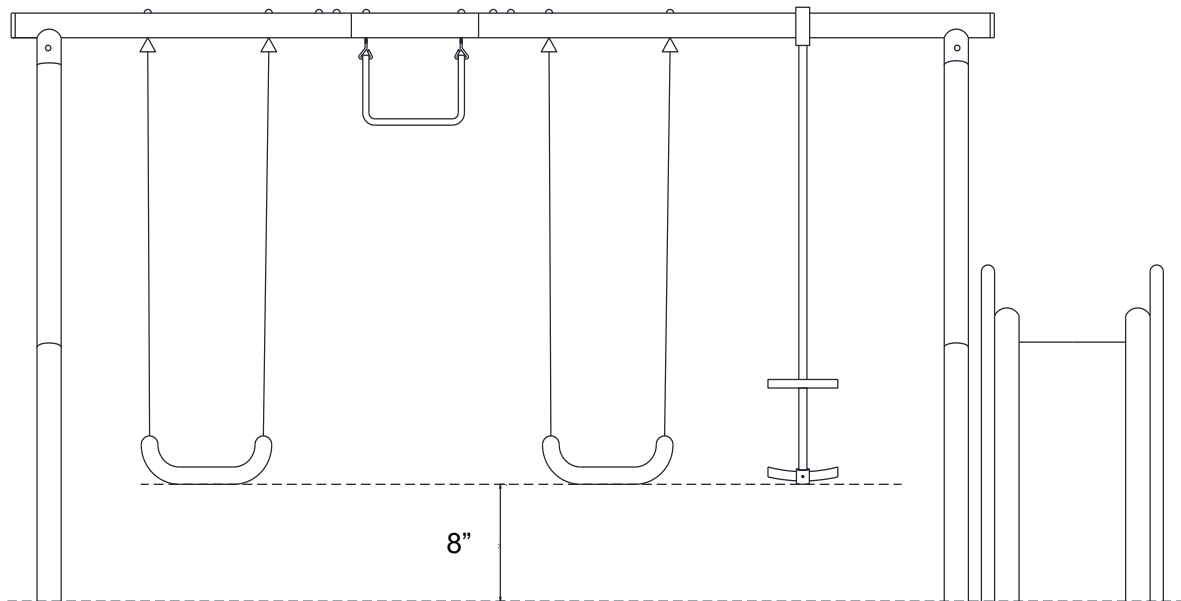
### **Concrete Anchoring (Materials not included)**

- If the swing set is set up on grounds with sandy soil (soft) condition, it must be anchored with concrete footing (concrete not included)
- Be sure that the swing set is assembled and placed on level ground
- Dig holes around swing leg tube, as shown in drawing in the next page. As you dig deeper, enlarge the diameter of the hole to fix the cement
- Place 2 inches of brick or gravel underneath the leg, as shown in drawing in the next page
- Use about 45 lbs. of concrete per leg
- Cover the concrete with dirt and protective surface material
- Allow 6-7 days for the concrete to dry properly



**Note: The maximum fall height for this product is 4 feet. The minimum ground clearance between the bottom of the suspended plays and the playing or ground surface must be 8 inches.**

**You must maintain a minimum of 8 inches of ground clearance.**



**⚠️ WARNING**

**Please properly anchor the swing set to minimize the risk of injury or death. If the swing set is used without proper anchoring, it may be dangerous and may tilt over.**

## CARE AND MAINTENANCE CHECKLIST

### AT THE BEGINNING OF EACH PLAY SEASON:

- Tighten all hardware.
- Lubricate all metallic moving parts per manufacturer's instructions.
- Check all protective coverings on bolts, pipes, edges, and corners. Replace if they are loose, cracked, or missing.
- Check all moving parts including swing seats and chains for wear, rust or other deterioration. Replace as needed.
- Check metal parts for rust. If found, sand and repaint using a non-lead paint meeting the requirements of 16 CFR 1303.
- Reinstall any plastic parts, such as swing seats or any other items that were removed for the cold season.
- Rake and check depth of loose fill protective surfacing materials to prevent compaction and to maintain appropriate depth. Replace as needed.

### TWICE A MONTH DURING PLAY SEASON:

- Tighten all hardware.
- Check all protective coverings on bolts, pipes, edges and corners. Replace if they are loose, cracked or missing.
- Rake and check depth of loose fill protective surfacing materials to prevent compaction and to maintain appropriate depth. Replace as needed.

### ONCE A MONTH DURING PLAY SEASON:

- Lubricate all metallic moving parts per manufacturer's instructions.
- Check all moving parts including swing seats and chains for wear, rust or other deterioration. Replace as needed.
- Rake and check depth of loose fill protective surfacing materials to prevent compaction and to maintain appropriate depth. Replace as needed.

### AT THE END OF EACH PLAY SEASON:

- At the end of each play season or when the temperature drops below 32 degrees F (0 degrees C).
- Remove plastic swing seats and other items as specified by the manufacturer and take indoors or do not use.
- Rake and check depth of loose fill protective surfacing materials to prevent compaction and to maintain appropriate depth. Replace as needed.

As a general rule, maintenance should be performed at any time it is deemed necessary.

### DISPOSAL INSTRUCTIONS

- ◆ Please use care when disassembling the equipment, when it is no longer in operational condition. Wear heavy duty working gloves to avoid injuries.
- ◆ Fully disassemble the entire swing and slide sets before disposal. Do not leave partially disassembled parts in areas accessible by children.
- ◆ Should you wish to recycle the steel tubing, please take the frame to your local recycling center.
- ◆ All plastic parts can be recycled, take it to your local recycling center. Do not let children play with any disassembled parts meant for disposal, such as chains, slide, tubing, bolts, nuts, screws, etc.
- ◆ All rusted parts, bolts must be properly disposed of in trash bin. Do not reuse.

Owners shall be responsible for maintaining the legibility of the warning labels.

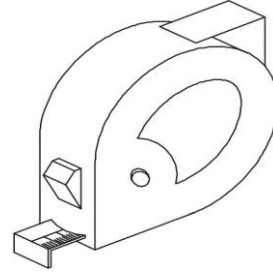


# TOOLS NEEDED

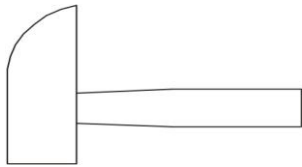
Please prepare the following tools  
prior to assembling this equipment.



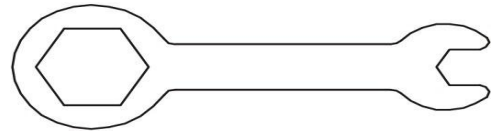
**Special Socket Wrench  
(Included)**



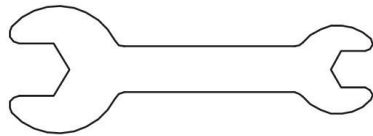
**Tape Measure  
(Not included)**



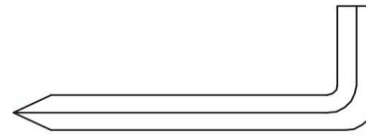
**Hammer  
(If you intend to install anchor, this is needed)**



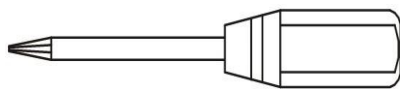
**Wrench  
(Included)**



**Wrench  
(Not Included)**



**Big Allen Wrench  
(Included)**



**Flat Head and Philips Head Screwdriver  
(Not included)**

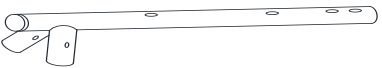









**Medium Allen Wrench  
(Included)**

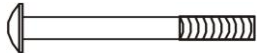
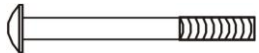






**Small Allen Wrench  
(Not Included)**



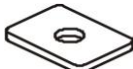


## Part list for main frame assembly

A1		LEFT TOP BAR	1
A2		MIDDLE TOP BAR	1
A3		RIGHT TOP BAR	1
A4		TOP SECTION LEG	4
A5		BOTTOM SECTION LEG WITH FOAM	4
A6		CROSS BAR (WITH TWO HOLES)	1
A7		CROSS BAR (WITH FOUR HOLES)	1
C2		END CAP (PRE-ASSEMBLED)	2



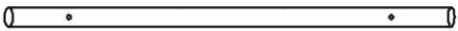





## Hardware used for main frame assembly

B1		BOLT 5/16" * 2.5" (8MM * 63MM)	12
B2		BOLT 5/16" * 2.5" (8MM * 68MM)	4
B3		NYLON NUT 5/16"	16
B4		PLASTIC CAP (WITH ARC WASHER)	16
B5		5/16" ARC WASHER	12
B6		5/16" WASHER	4


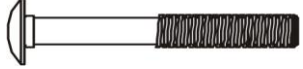








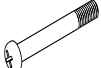

## Bracket used for glide ride assembly

L3		BRACKET	1
L4		BRACKET CLAMP	1
L5		REINFORCING STEEL SPACER	2
N3R		BOLT 5/16" * 1" (8MM * 25MM)	2
N7		NYLON NUT 5/16"	2



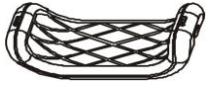
## Part list for glide ride assembly

L1-N		TOP SECTION HANGER	2
L2-N		BOTTOM SECTION HANGER	2
L3-N		GLIDE SEAT SUPPORT	2
M1		TUBE CAP(PRE-ASSEMBLED)	2
M2		SMALL NYLON BEARING (PRE-ASSEMBLED)	2
M3		LARGE NYLON BEARING (PRE-ASSEMBLED)	4
M4		GLIDE SEAT	2
M5		FOOTREST	2





## Hardware used for glide ride assembly

N1		BOLT 1/4\" data-bbox="460 408 750 425"/>	4
N2R		BOLT 1/4\" data-bbox="460 448 750 465"/>	2
N4		SCREW 0.22\" data-bbox="445 488 765 505"/>	4
N5		J-BOLT	2
N6		SPRING WASHER (SMALL)	8
N8		CAP BOLT 1/4\" data-bbox="430 602 780 619"/>	2
N9		CAP NUT 1/4\" data-bbox="535 642 670 659"/>	8
N10		NUT 1/4\" data-bbox="560 682 645 699"/>	2
N11		SPRING WASHER (LARGE)	2
N12		SPRING WASHER (MEDIUM)	4
N13		BOLT 1/4\" data-bbox="460 798 750 815"/>	4
N14		5/16\" data-bbox="505 838 700 855"/>	8

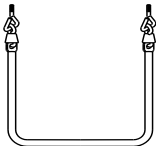
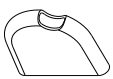

## Part list for swing seat assembly

J1		PVC COVERED CHAIN (PRE-ASSEMBLED)	4
J3		EYE BOLT WITH ATTACHMENT BOLT(PRE-ASSEMBLED)	8
K1		SWING SEAT	2


## Hardware used for swing seat assembly

J6		NYLON NUT 5/16"	8
J7		5/16" WASHER	4
J8		PLASTIC CAP (WITH ARC WASHER)	4
J9		PLASTIC CAP (WITH FLAT WASHER)	4

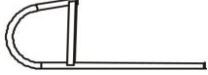
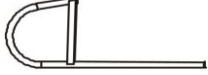





## Part list for trapeze assembly

P1		TRAPEZE	1
T3		RUBBER CAP (PRE-ASSEMBLED)	2
S1		EYEBOLT WITH CHAIN (PRE-ASSEMBLED TO TRAPEZE)	2


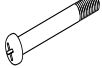
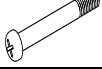




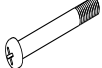
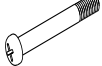
## Hardware used for trapeze assembly

S3		PLASTIC CAP (WITH ARC WASHER)	2
P4		NYLON NUT 5/16"	2

## Part list for slide assembly

X1-N		SLIDE SUPPORT (WITH OPENING)	1
X2-N		SLIDE SUPPORT	1
X3-N		SLIDE LEG TUBE	2
X4-N		SLIDE TOP SUPPORT BAR	1
X5-N		SLIDE FRONT SUPPORT	1
X6		SLIDE LADDER STEPS	2
Y2		SLIDE	1

## Hardware used for slide assembly

Y1		PLASTIC CONNECTOR	2
Z1		BOLT 1/4\" data-bbox="278 438 341 468"/>	6
Z2		BOLT 1/4\" data-bbox="278 478 341 508"/>	2
Z3		SPRING WASHER (LARGE)	4
Z4		CAP NUT 1/4\" data-bbox="288 551 331 581"/>	10
Z5		CAP BOLT 1/4\" data-bbox="278 591 341 621"/>	4
Z6		SPRING WASHER (MEDIUM)	20
Z7		BOLT 1/4\" data-bbox="278 664 341 694"/>	2
Z8		BOLT 1/4\" data-bbox="278 704 341 734"/>	4

## **ASSEMBLY INSTRUCTIONS**

- **Place the playground equipment on level ground and not less than 6ft (1.8m) from any structure or obstruction such as a fence, garage, house, overhanging branches, laundry line, or electrical wires.**
- **Do not install the playground equipment over concrete, asphalt, packed earth, or any other hard surface; a fall onto a hard surface can result in serious injury or death to the equipment user.**
- **Adequate overhead clearance is essential.** A minimum clearance from ground level shall be recommended. Provide clearance for wires, tree limbs, and other possible hazards.
- Use the swing set in a well-lighted area. Artificial illumination may be required for shady areas.
- Secure the swing set against unauthorized and unsupervised use.
- The owner and supervisors of the swing set are responsible to make all users aware of practices specified in the use instructions.

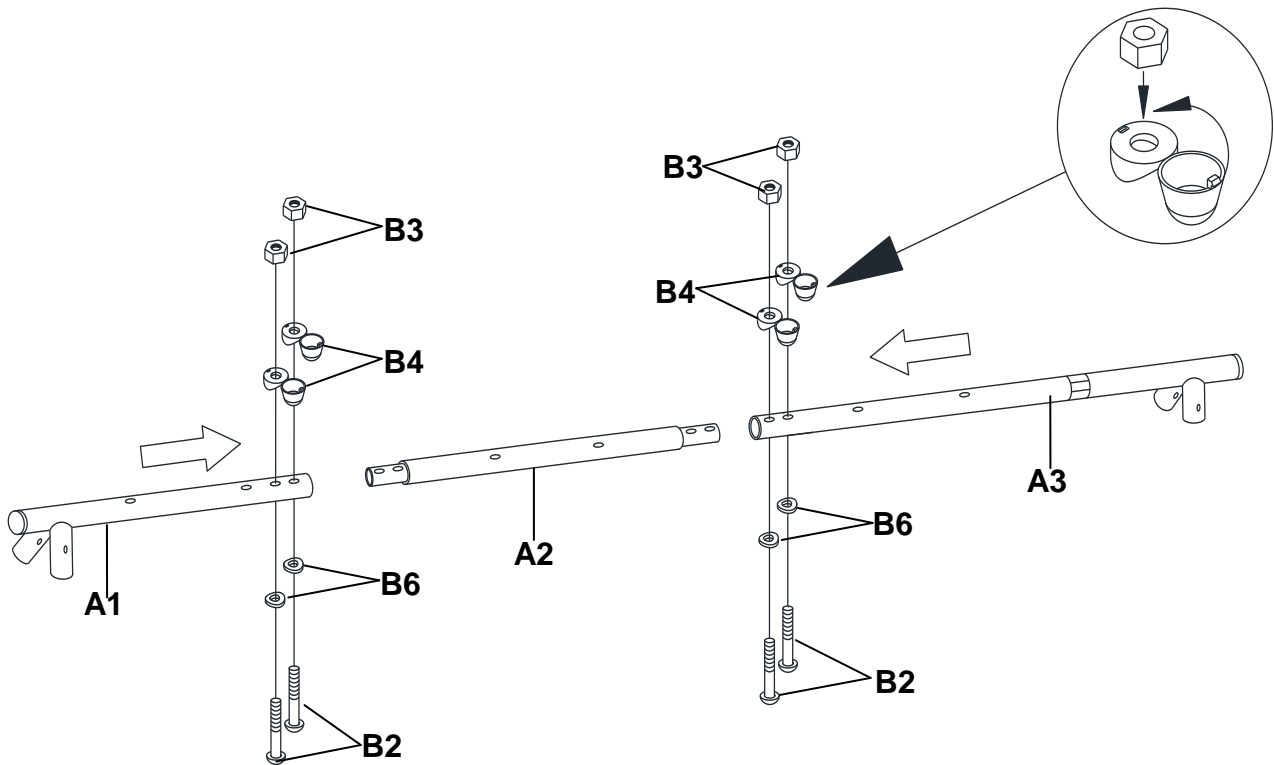
## **TIGHTENING NUTS & BOLTS**

- **For ease of installation, do not over-tighten the nuts and bolts when you are first putting the equipment together. This will allow for some possible adjustments during installation.**
- **Once you have finished assembling each component of the play set, make sure to go back over each step and properly tighten all nuts, bolts and plastic caps. Check the entire unit to ensure all parts are properly assembled before allowing children to use the playground equipment.**

## STEP 1 – Assemble the top bar frame of the swing set

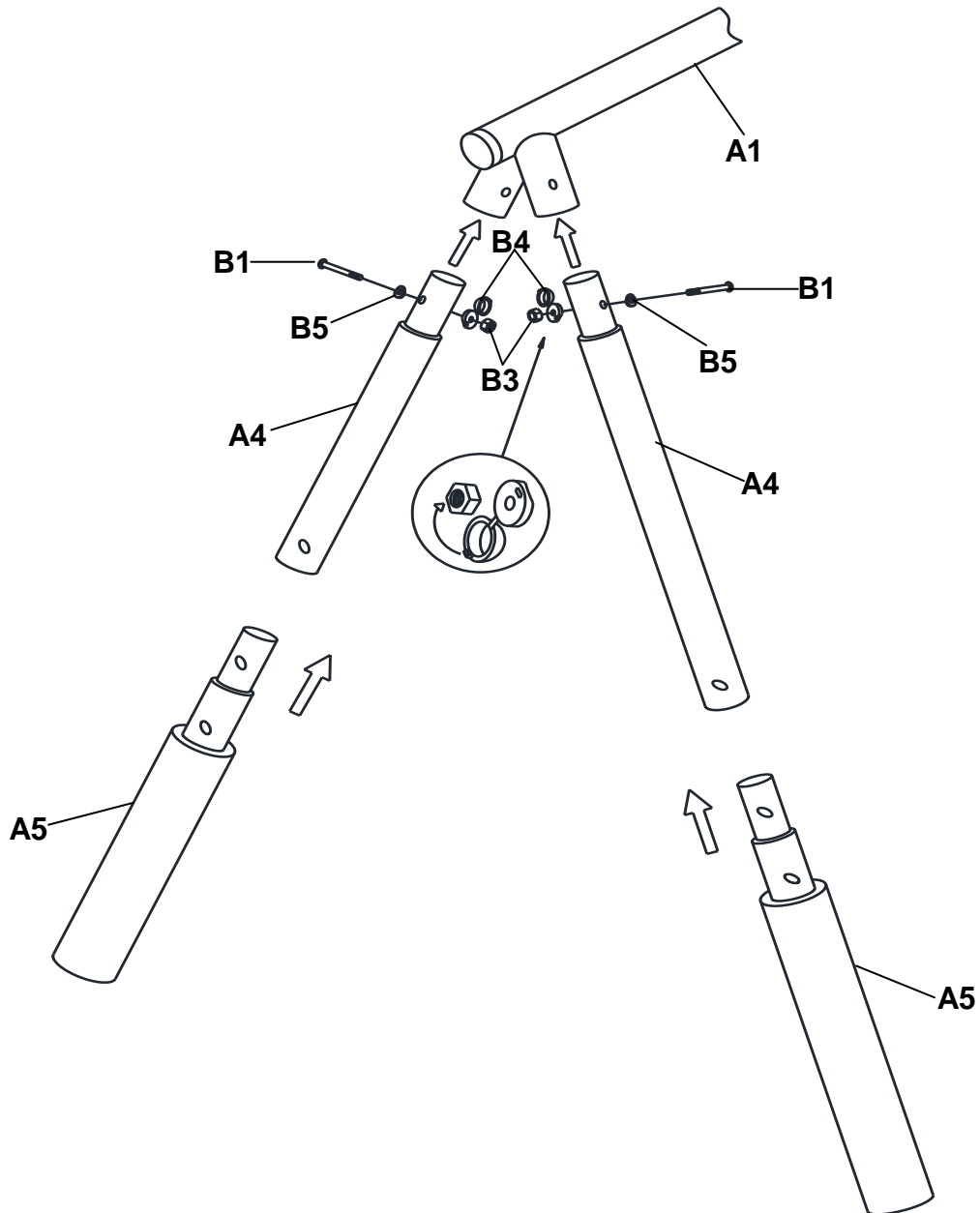
➤ Connect A1, A2 and A3 secure with B2, B3, B4 and B6 as shown below.

Note: All round holes should be facing up and concave holes facing down.



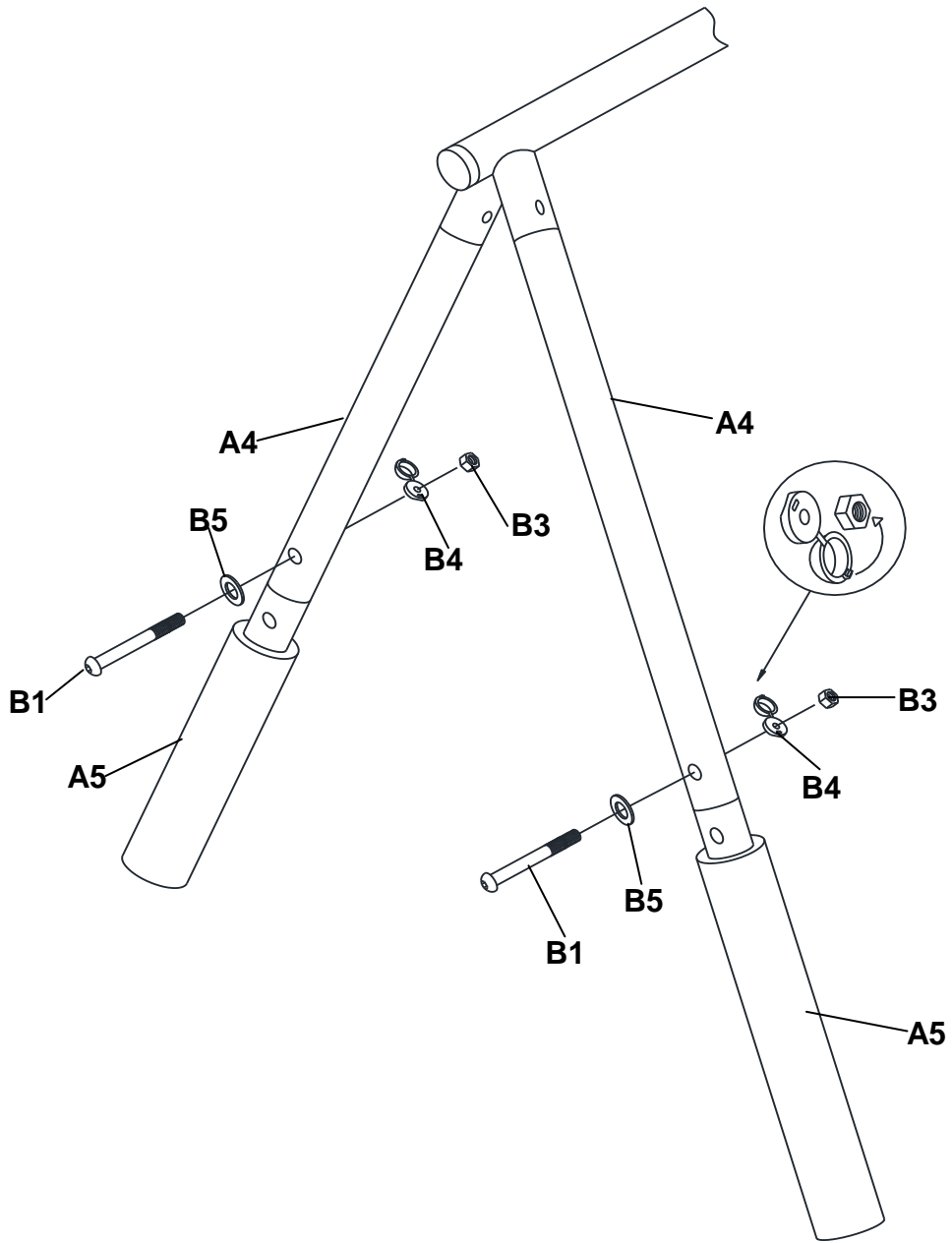
## STEP 2 – Assemble the support legs of swing set

- Connect A1 to A4 and secure using B1, B5, B4 and B3 as shown below.
- Repeat the above step for the right side of the swing set (A3 and A4, A5).



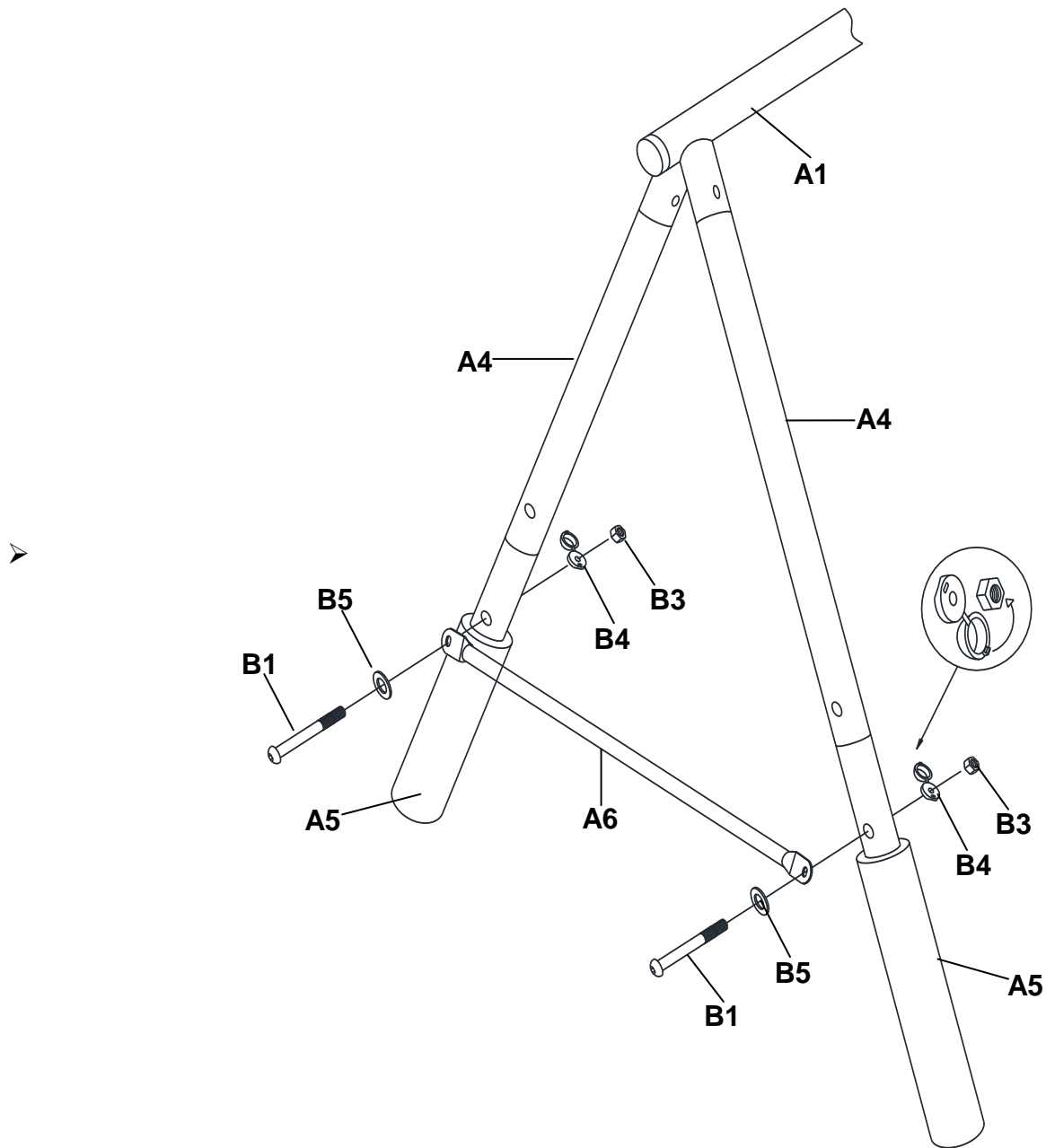


- Connect A4 to A5 and secure using B1, B5, B4 and B3 as shown below.
- Repeat the above step for the right side of the swing set (A3 and A4, A5).

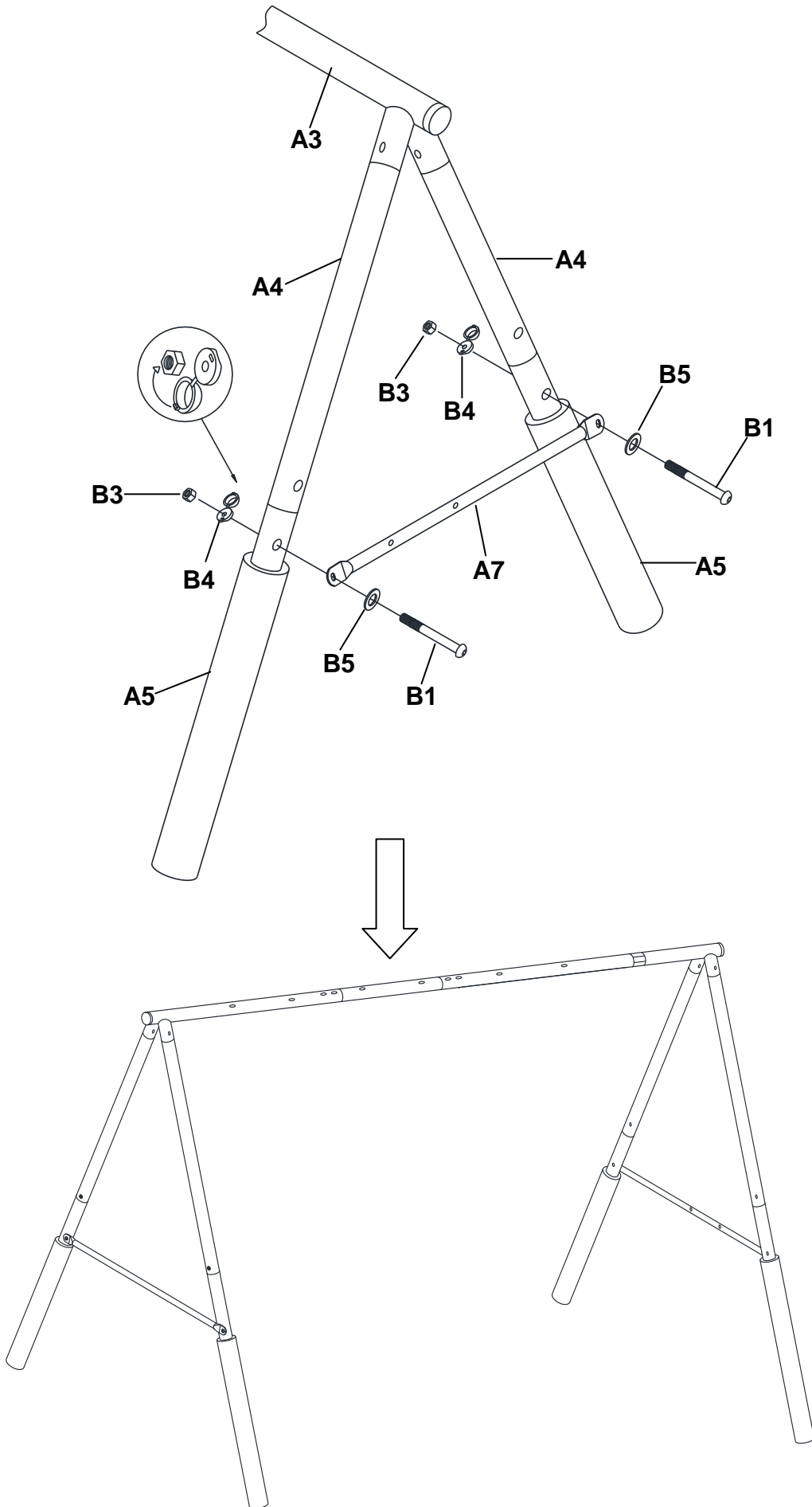


### STEP 3 – Attach the crossbar to the support legs.

- Attach A6 to the outer side of A5 and secure using B2, B6, B4 and B3.



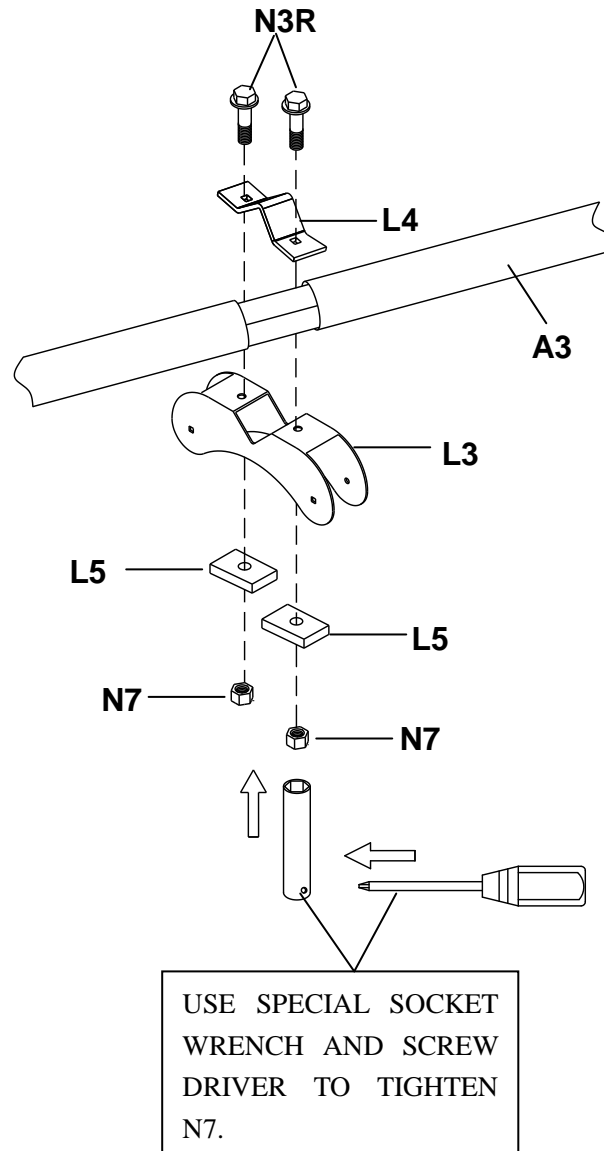
Attach A7 to the outer side of A5 and secure using B2, B6, B4 and B3.



DO NOT RETURN TO RETAILER YOU PURCHASED AT.  
CONTACT XDP FOR PARTS AND SUPPORT AT 1.866.884.0535 or [service@xdp-recreation.com](mailto:service@xdp-recreation.com)

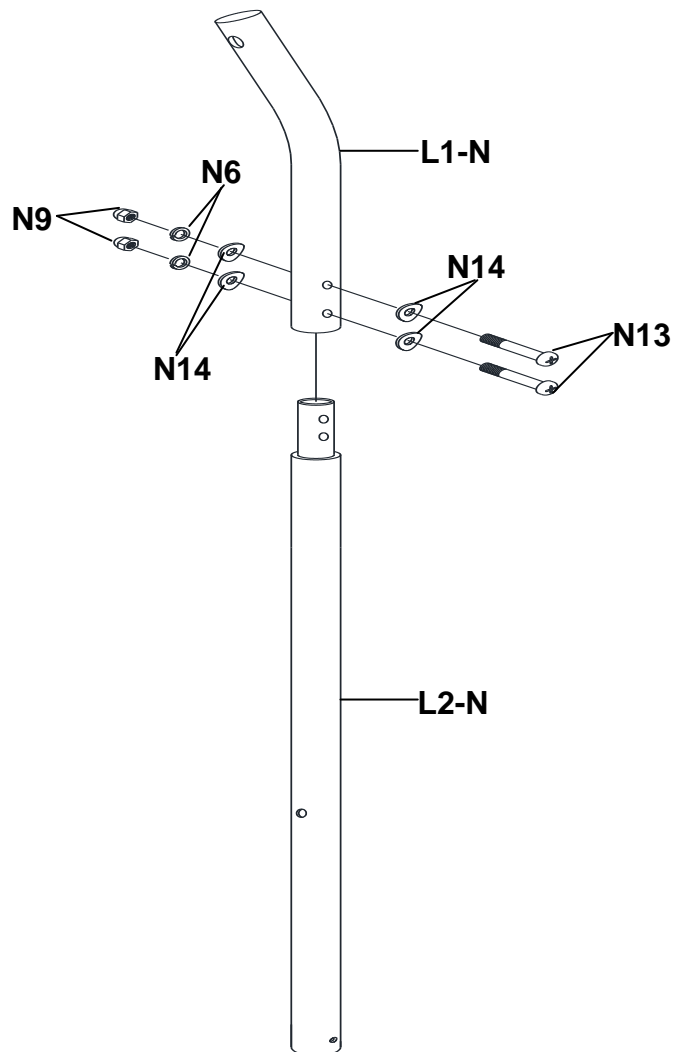
## STEP 4 - Glide Ride assembly

- Attach L4 and L3 to A3 using N3R, L5 and N7 as shown. Use special socket wrench and screw driver to tighten N3R and N7.



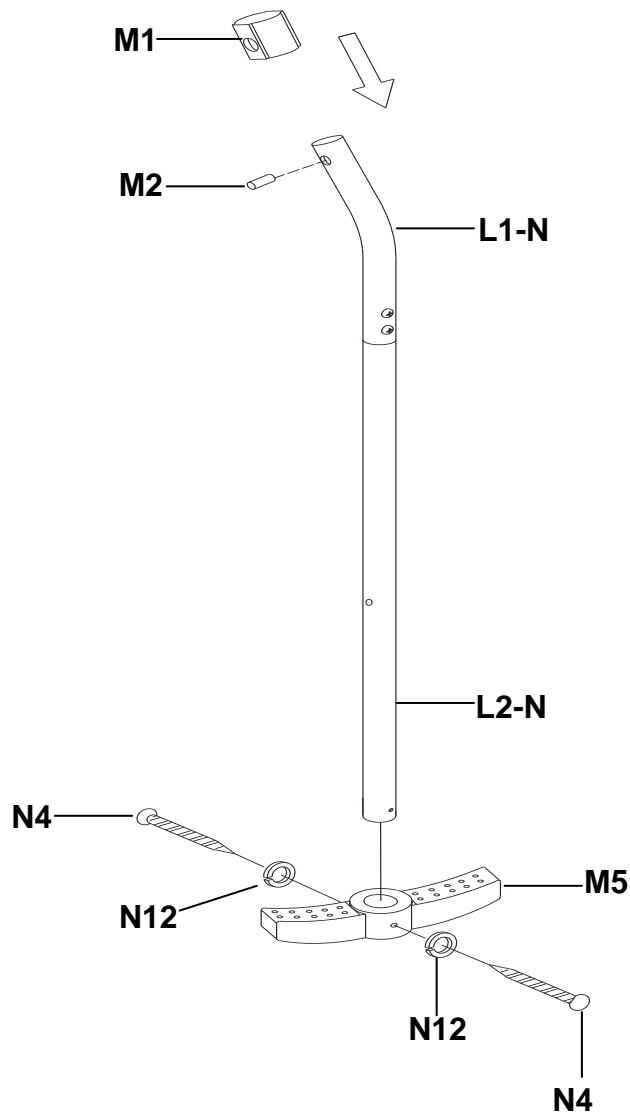
## STEP 5 – Glide ride assembly (continued)

- Insert L1-N (straight end) into L2-N and secure with N14,N6 ,N9 and N13 on both sides.
- Repeat the above steps on the other side



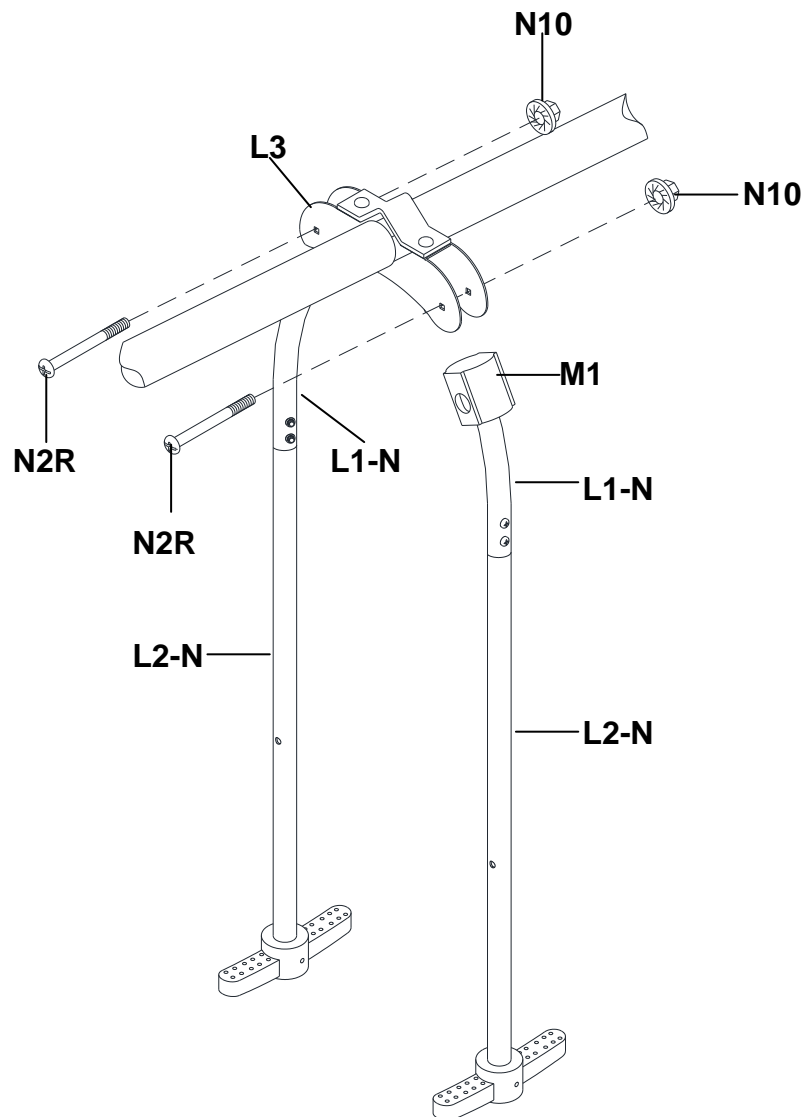
## STEP 6 – Glide ride assembly (continued)

- Insert L2-N (straight end) into M5 and secure with N4 and N12 on both sides.
- Attach M1 to the top of L1-N (curved end). Align holes and insert M2.



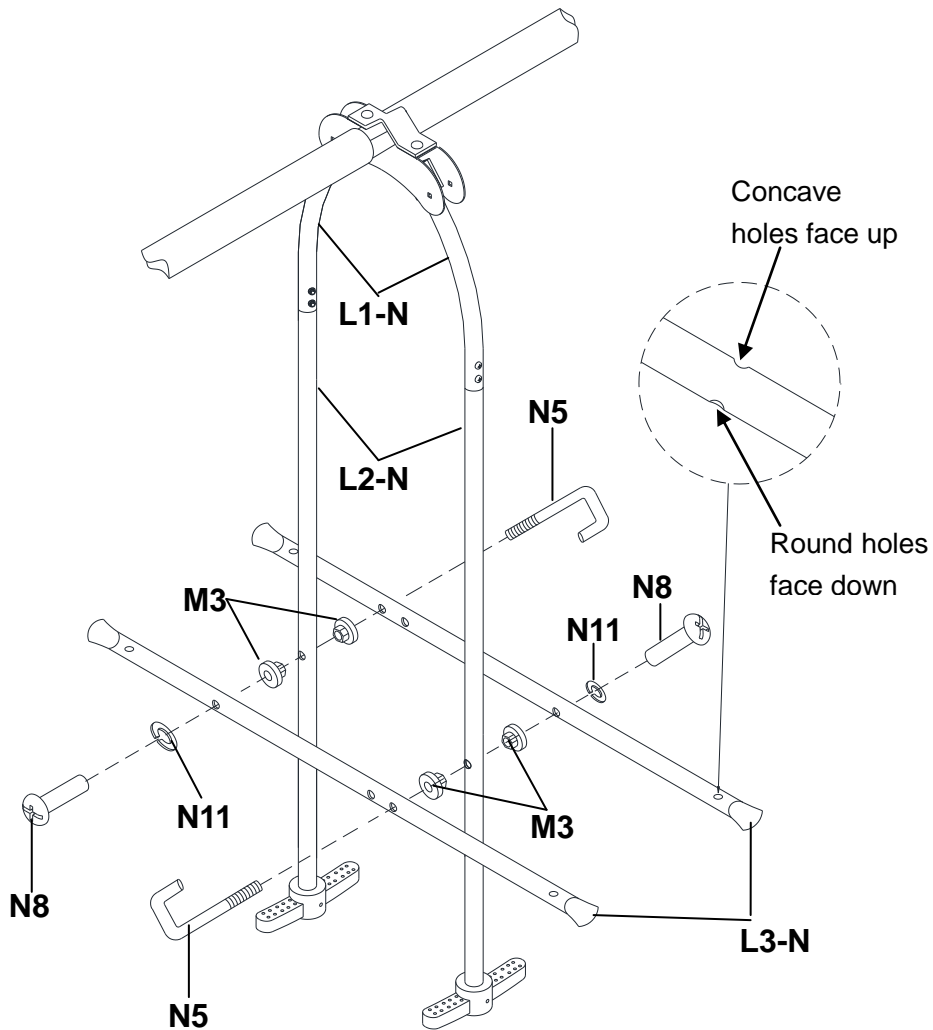
## STEP 7 – Glide ride assembly (continued)

- Attach L1-N to L3 on both sides and secure with N2R and N10.



## STEP 8 – Glide ride assembly (continued)

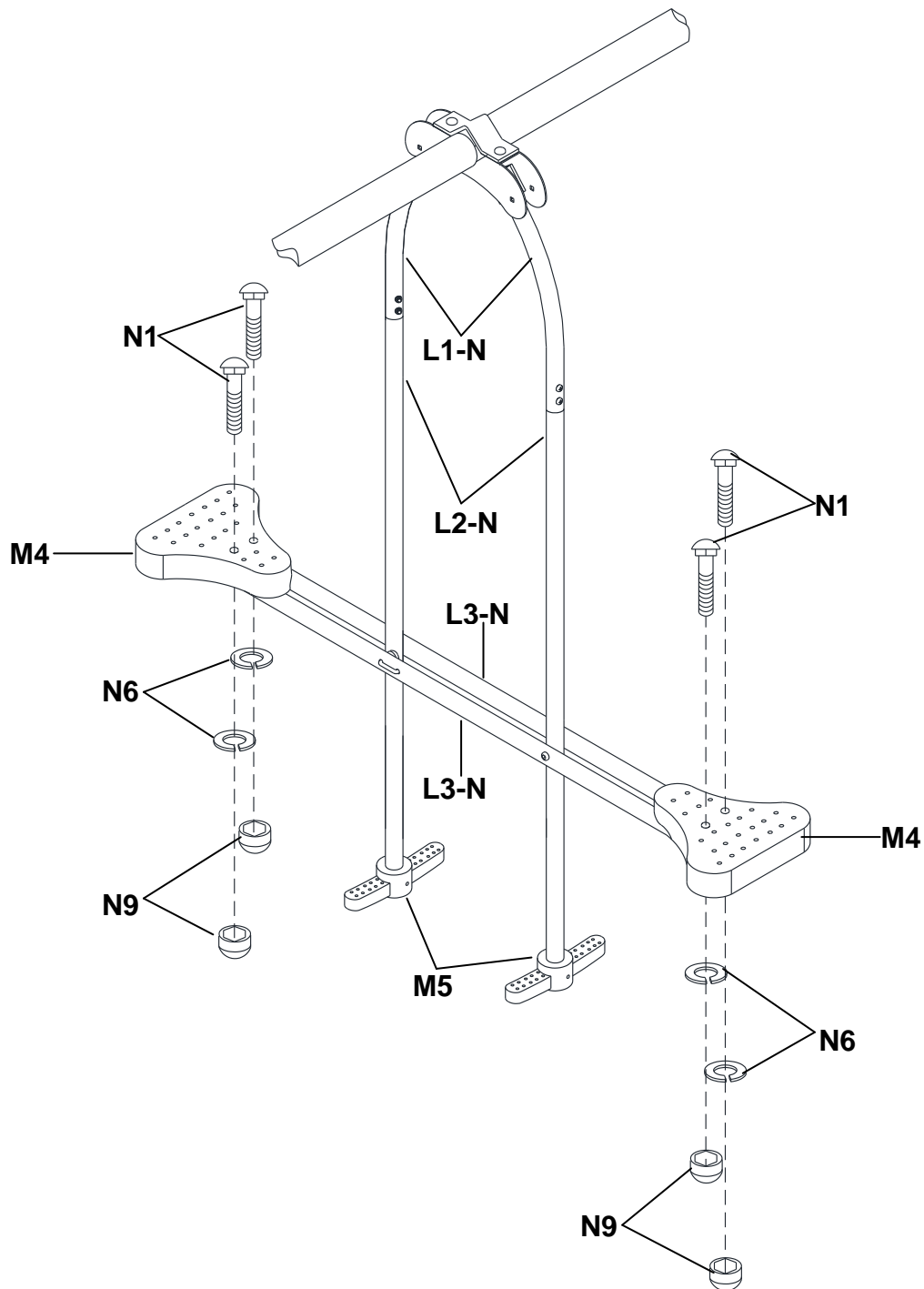
- Attach L3-N to L2-N on both sides and secure with N5, M3, N11 and N8.





## STEP 9 – Glide ride assembly (continued)

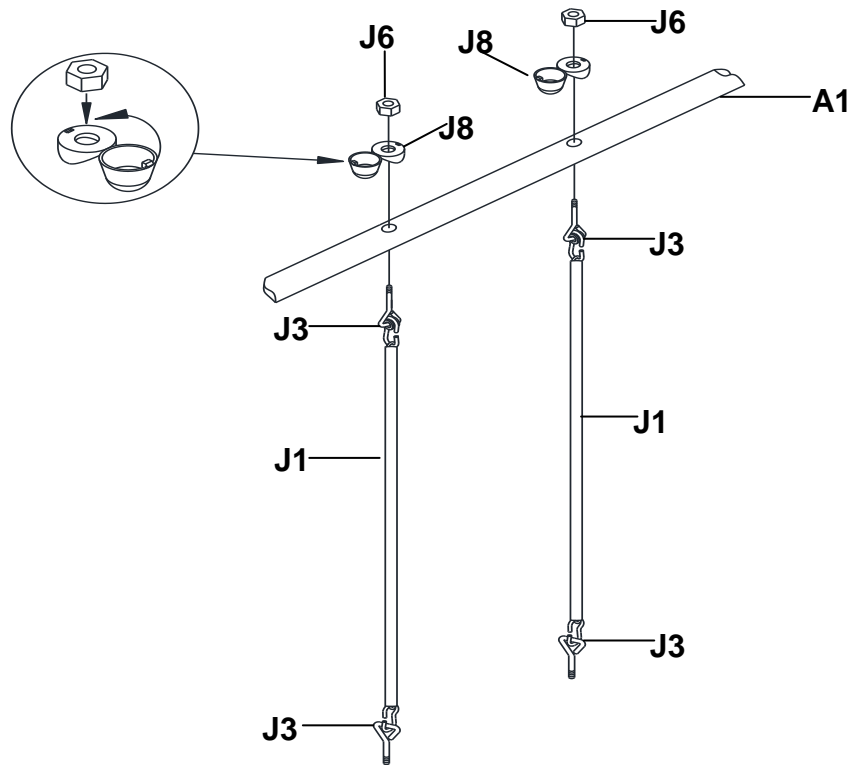
- Attach M4 to L3-N and secure with N1, N6 and N9.



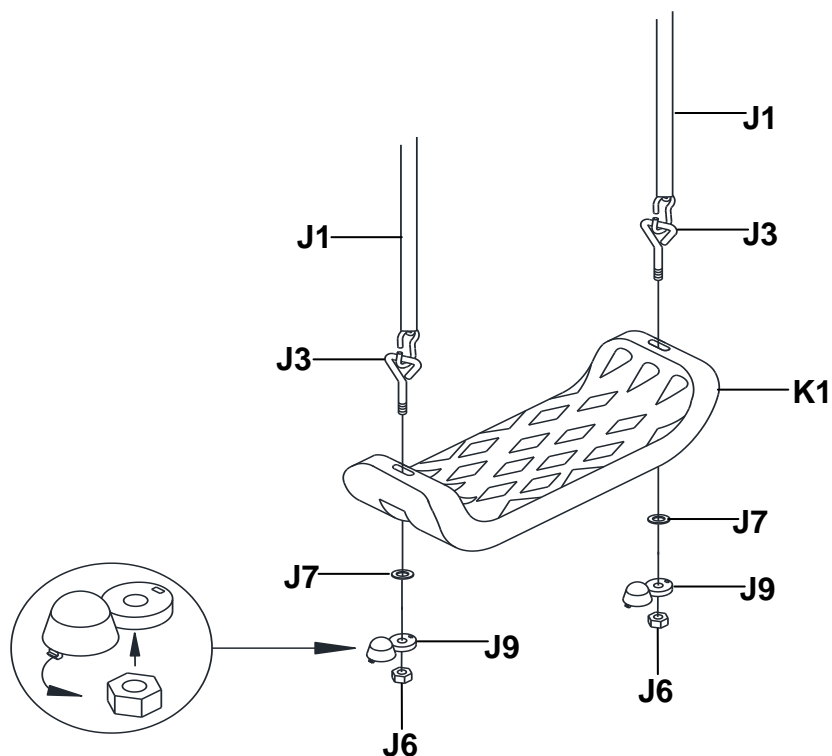
## STEP 10 - Swing Seat assembly

- Connect swing set chains to the top bar by inserting J3 through A1 and securing with J8 and J6 as shown in Diagram A.
- Connect swing seat to the chains by inserting J3 through K1 and secure with J7, J9 and J6 as shown in Diagram B.
- Repeat the above steps to assemble A3 in the same manner as A1.

**DIAGRAM A**

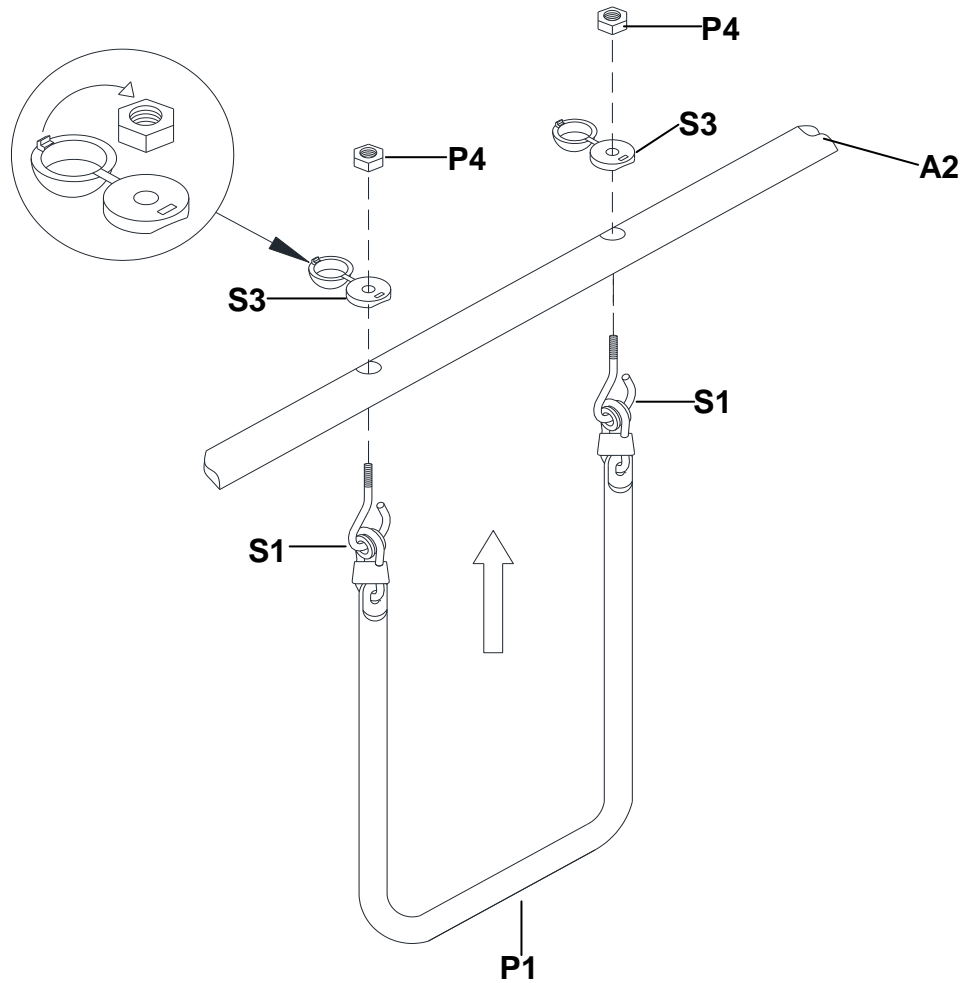


**DIAGRAM B**



## STEP 11 - Trapeze Assembly

- Insert S1 (which is pre-assembled with P1) through the hole on A2.
- Secure using S3 and P4 as shown in the diagram below.



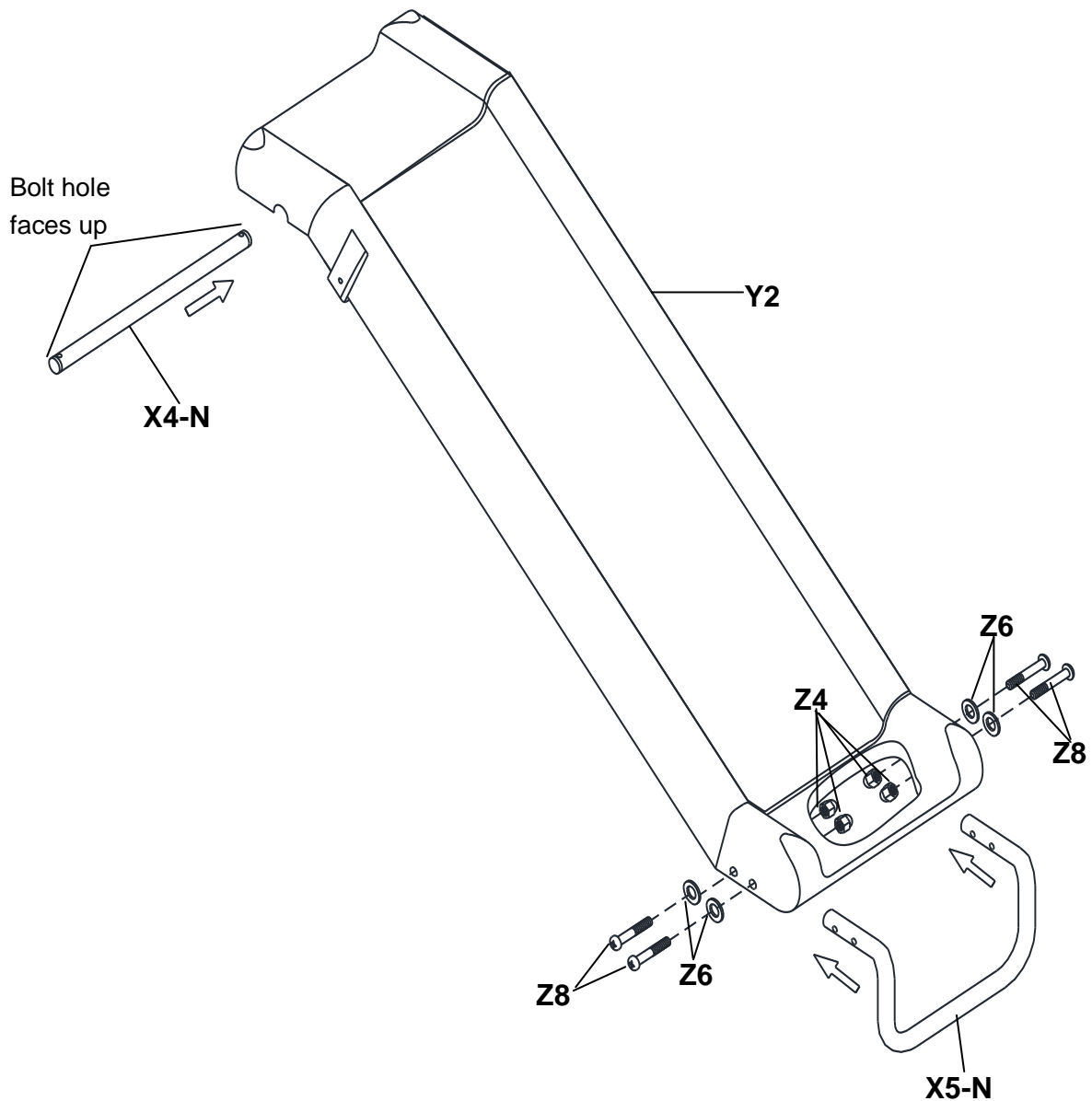
### ⚠ NOTE:

1. Do not over-tighten the nuts and bolts at every step.
2. Do not snap in the cover of plastic cap until you have finished the assembly of each step and went back to tighten all of the nuts and bolts.

## Slide assembly

### STEP 12 - Slide assembly

- Insert X5-N into the base of Y2.
- Secure using Z8, Z6 and Z4.
- Attach X4-N to Y2.
- Note: Make sure that the bolt holes face up.

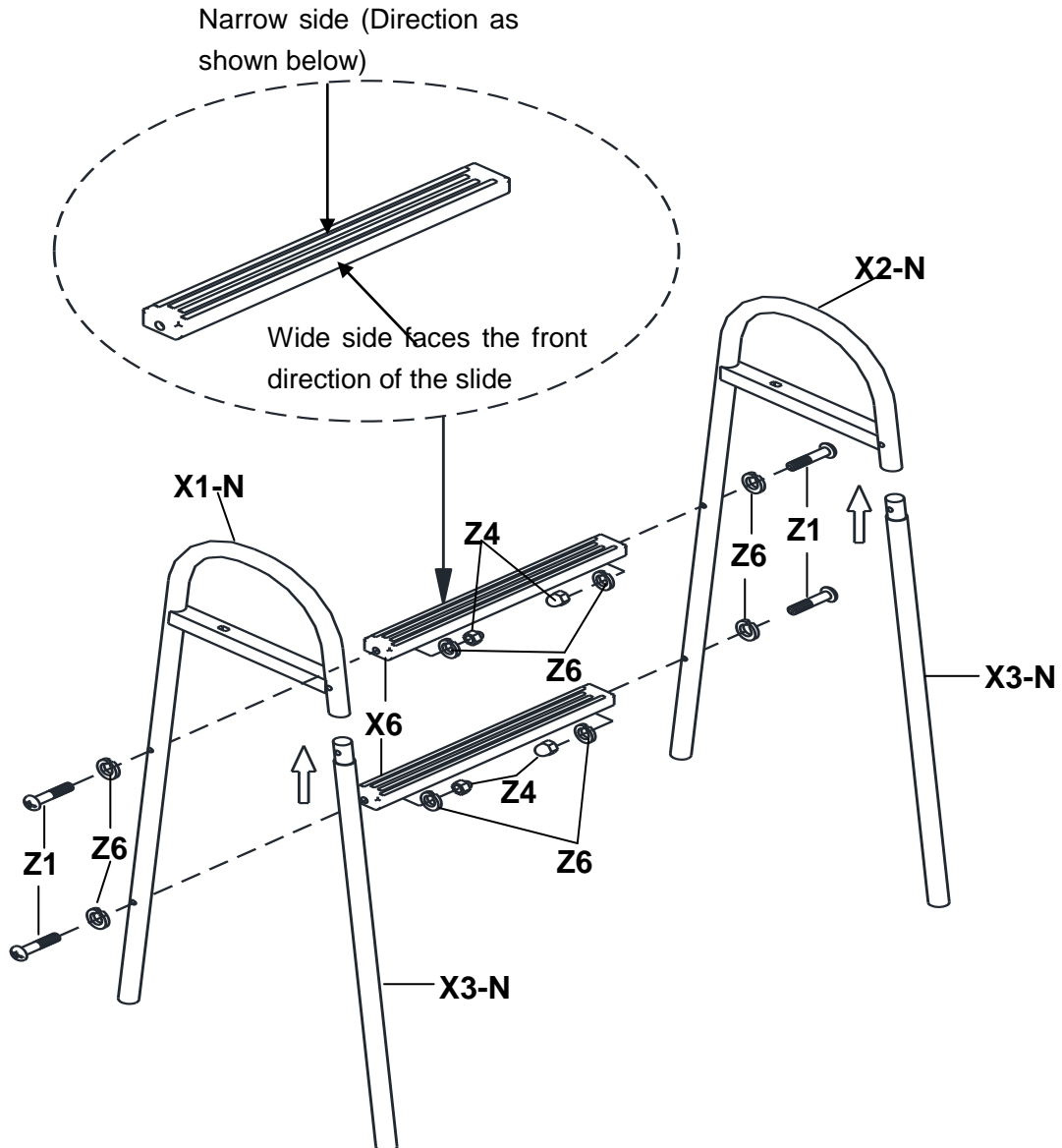


#### NOTE:

- 1. Do not over-tighten the nuts and bolts at every step.**
- 2. Do not snap in the cover of plastic cap until you have finished the assembly of each step and went back to tighten all of the nuts and bolts.**

## STEP 13 - Slide assembly (continued)

- Attach X6 to X1-N and X2-N.
- Secure each side using Z1, Z6 and Z4.
- Attach X3-N to X1-N and X2-N.
- Align holes and hold in position.

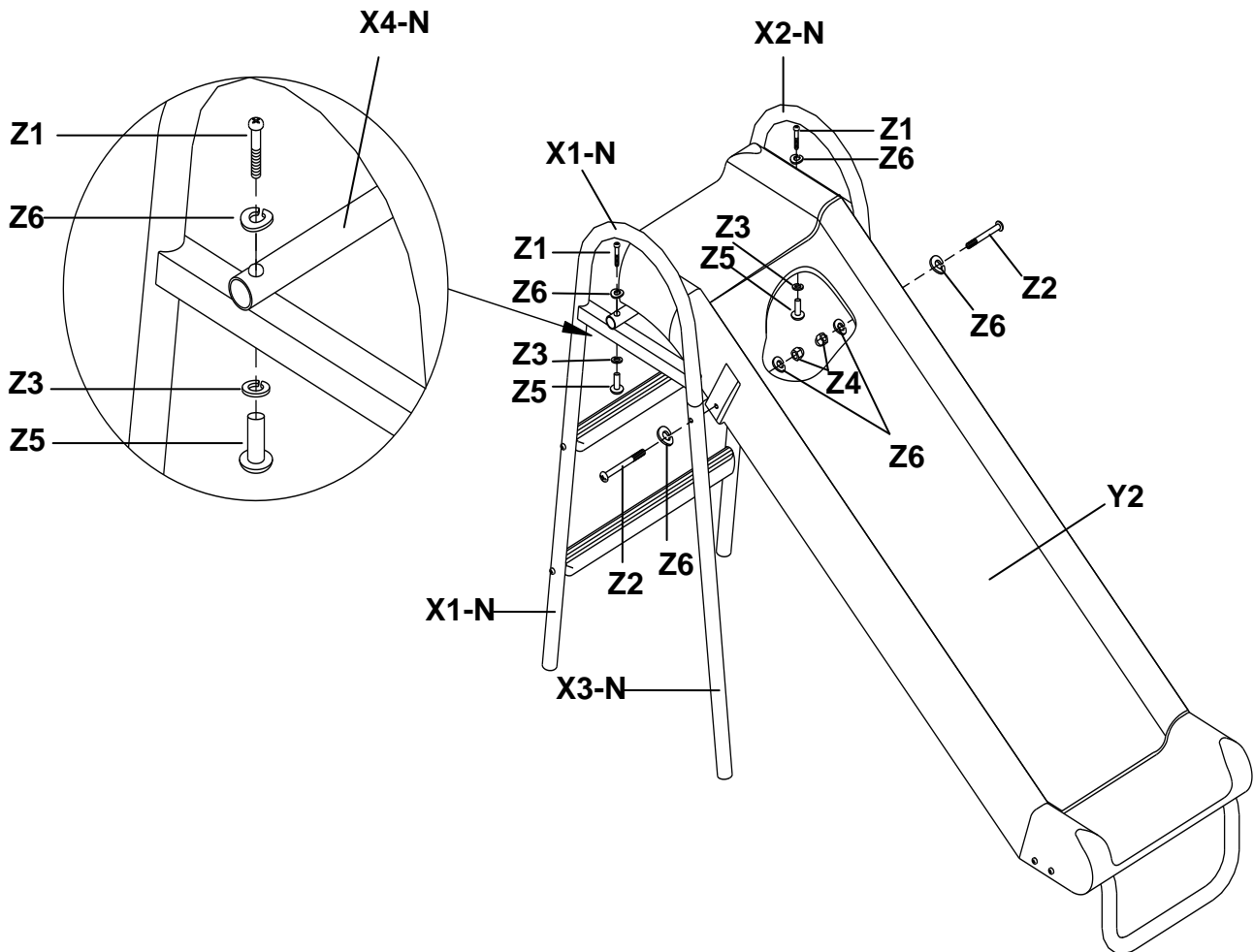


### NOTE:

- 1. Do not over-tighten the nuts and bolts at every step.**
- 2. Do not snap in the cover of plastic cap until you have finished the assembly of each step and went back to tighten all of the nuts and bolts.**

## STEP 14 - Slide assembly (continued)

- Attach X4-N to X1-N and X2-N; Secure using Z1, Z6, Z3 and Z5 as shown in the enlarged diagram.
- Secure the two sides of the slide using Z2, Z6 and Z4, in the sequence shown in the diagram.

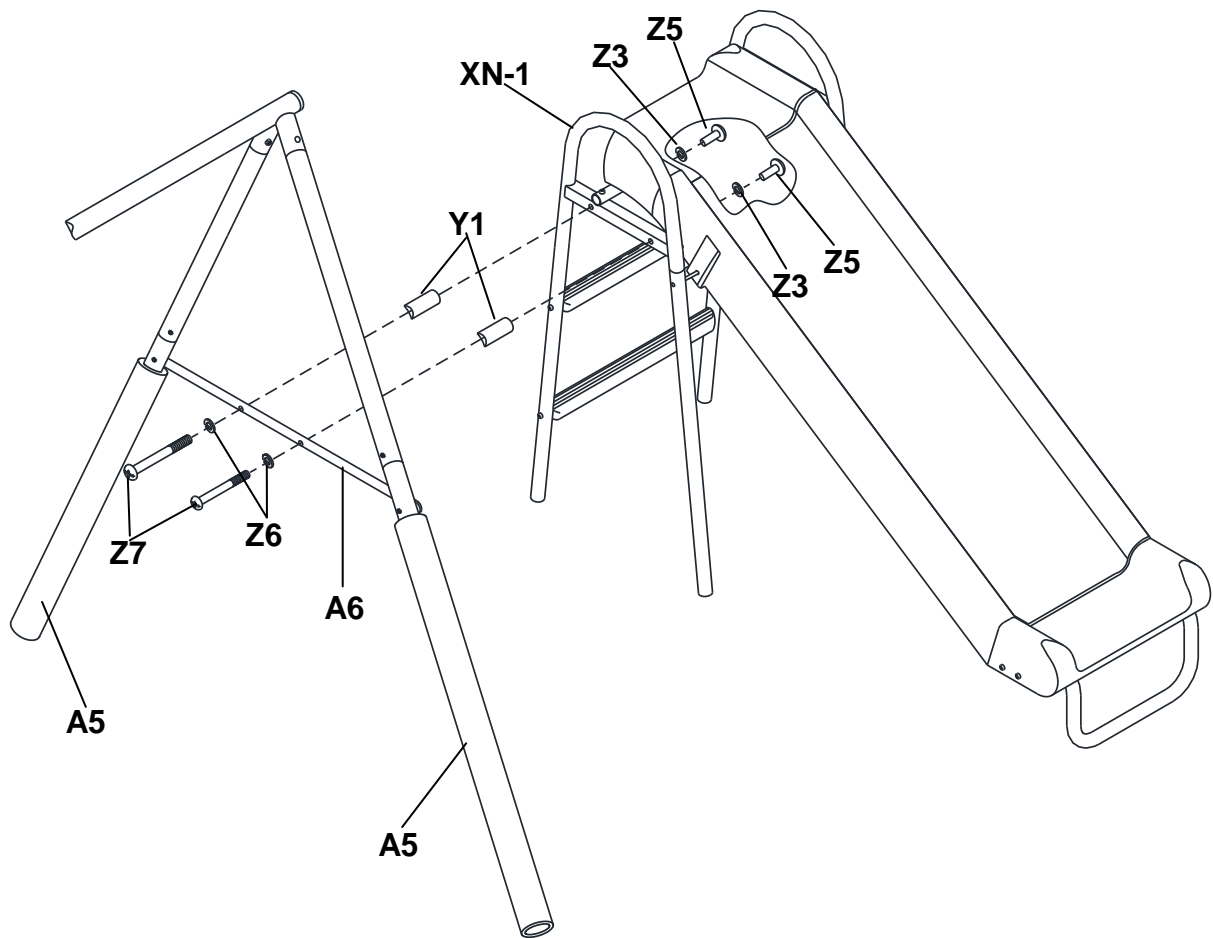


### NOTE:

- 1. Do not over-tighten the nuts and bolts at every step.**
- 2. Do not snap in the cover of plastic cap until you have finished the assembly of each step and went back to tighten all of the nuts and bolts.**

## STEP 15 - Slide assembly (continued)


- Fit Y1 in between X1-N and A6; Secure using Y1, Z7, Z6 and Z3, Z5

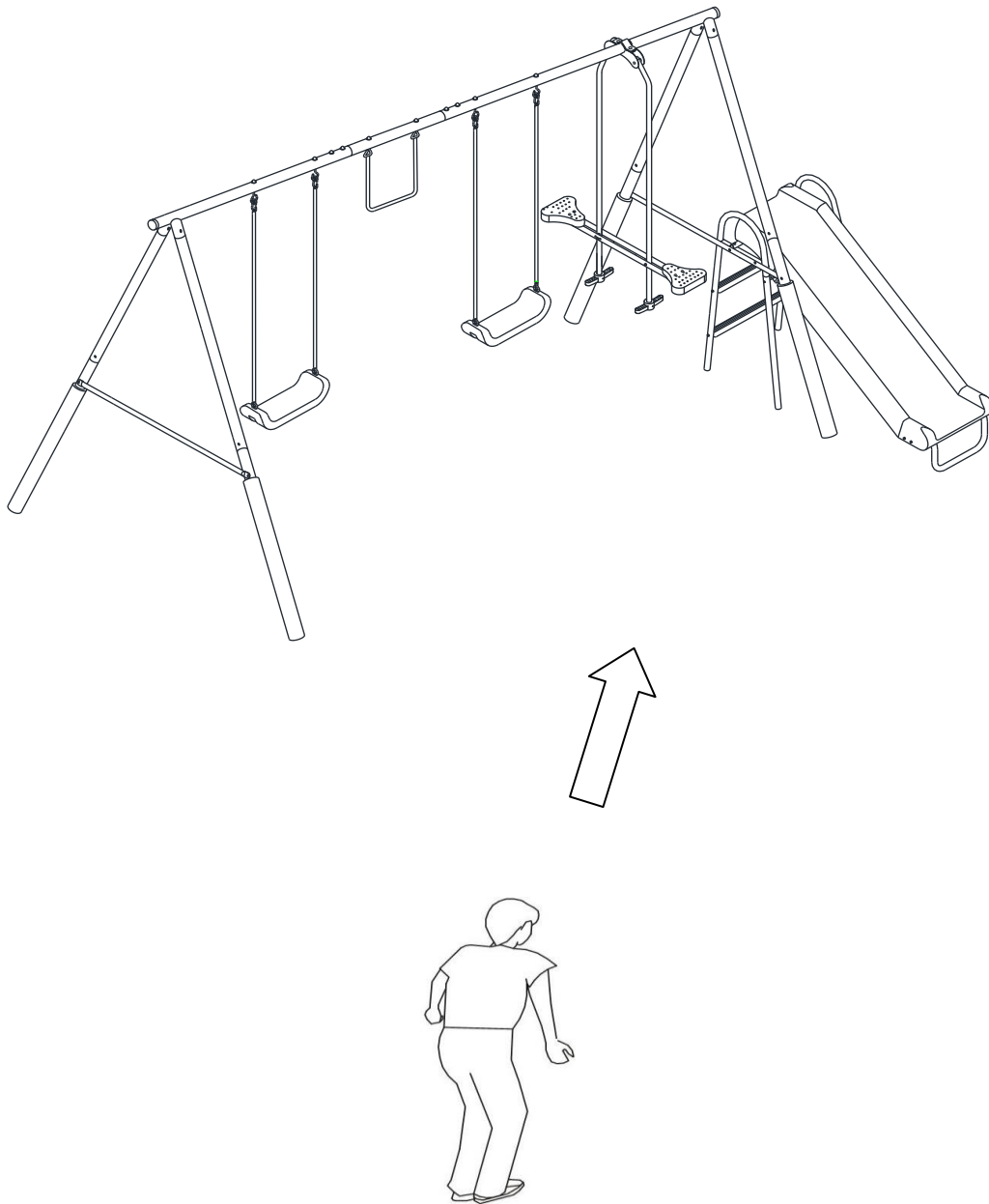


### NOTE:

- 1. Do not over-tighten the nuts and bolts at every step.**
- 2. Do not snap in the cover of plastic cap until you have finished the assembly of each step and went back to tighten all of the nuts and bolts.**

**Congratulations! You have now completed the swing set assembly. Please make sure to thoroughly check all parts and hardware to make sure all bolts and nuts are well secured before using the playground equipment.**

** WARNING - Do not let children use the playground equipment until it is properly assembled and anchored.**







Dear Customer:

Thank you for your purchase of an XDP Recreation swing set. **By following the instruction manual, reading all safety and assembly instructions, and properly anchoring your swing set in the ground, your kids will safely enjoy hours of fun.** Detailed below is our warranty covering your purchase. Please be sure to read it and contact us in the event you need service or parts. **DO NOT RETURN THE SET TO THE STORE YOU PURCHASED IT.**

Sincerely,  
XDP Recreation LLC

### MANUFACTURER'S LIMITED WARRANTY

#### What does this Limited Warranty cover?

This warranty covers your XDP Recreation product for one hundred and eight (180) days against defects in material, workmanship, and rust on painted parts which compromise the structural integrity of the product when used for the purpose intended, normal outdoor conditions, and **provided it is assembled correctly** as illustrated in this manual and receives the proper care and maintenance. NOTE: *Surface rust is not covered under this warranty.*

#### Who does this Limited Warranty Cover?

This warranty is extended only to the original purchaser with a receipt and is **not** transferrable.

#### What will XDP Recreation do?

They will provide a replacement part at no charge for any part found defective during the warranty period.

#### What does this warranty **NOT** cover?

This limited warranty **does not** cover XDP Recreation products which: fail due to (1) normal wear; (2) abuse and misuse; (3) improper maintenance; (4) unauthorized repairs or incorrect parts use; or (5) are used for commercial or other income producing purposes.

#### How do you obtain service?

All warranty repairs must be authorized by XDP Recreation Customer Service Assistance Department before repairs are made. **IMPORTANT: There is NO NEED to return the entire unit to the store where it was purchased!** In order to obtain quick service provided by this warranty, you may call or email the details using the below contact:

#### Customer Support:

8:00 AM to 5:00 PM Monday through Friday (Eastern Standard Time) - 1-866-884-0535

Or email us at [service@xdp-recreation.com](mailto:service@xdp-recreation.com) or via fax at 1-770-886-2746

Further info can be found at [www.xdp-recreation.com](http://www.xdp-recreation.com)

## REGISTER YOUR PURCHASE

PLEASE VISIT OUR WEBSITE at [www.xdp-recreation.com](http://www.xdp-recreation.com) to register your purchase using the manufacturer date code found on the label on the swing set. There also is a short on-line survey which you can fill out to complete the registration.