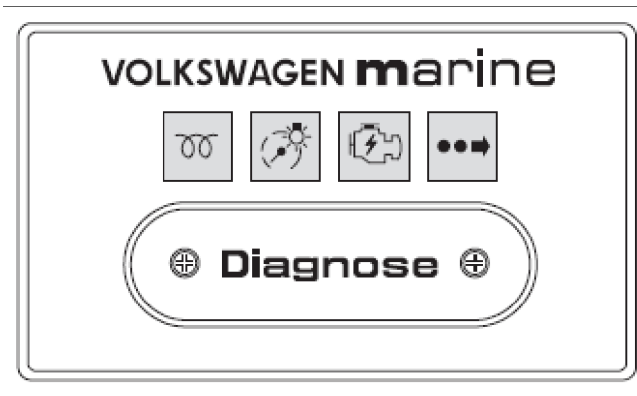
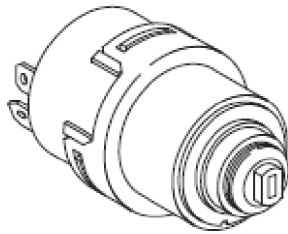
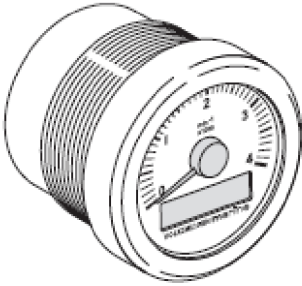


# Boat Engines from Volkswagen Marine

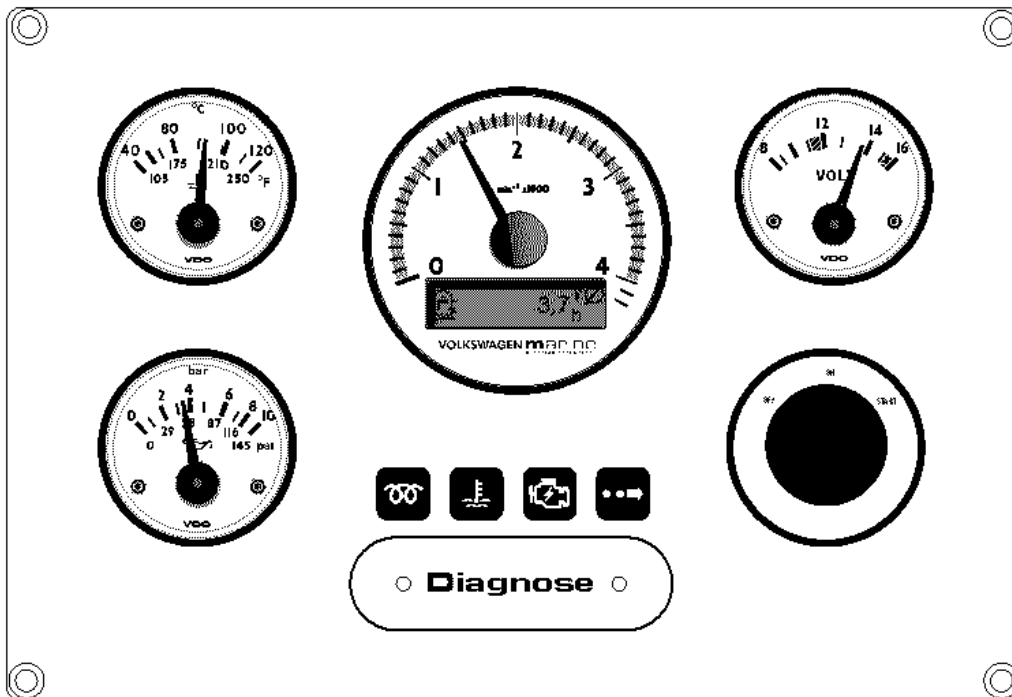
5 Cylinder from model year 2005  
Individual instruments from 2005  
Main panel from 2007

## Information of versions

for all 5-cyl. engines with central electric box no. 065 937 025 B (from model year 2005)  
and individual instruments 065 800 547 B or 06V 800 547 or main panel 065 805 051 B

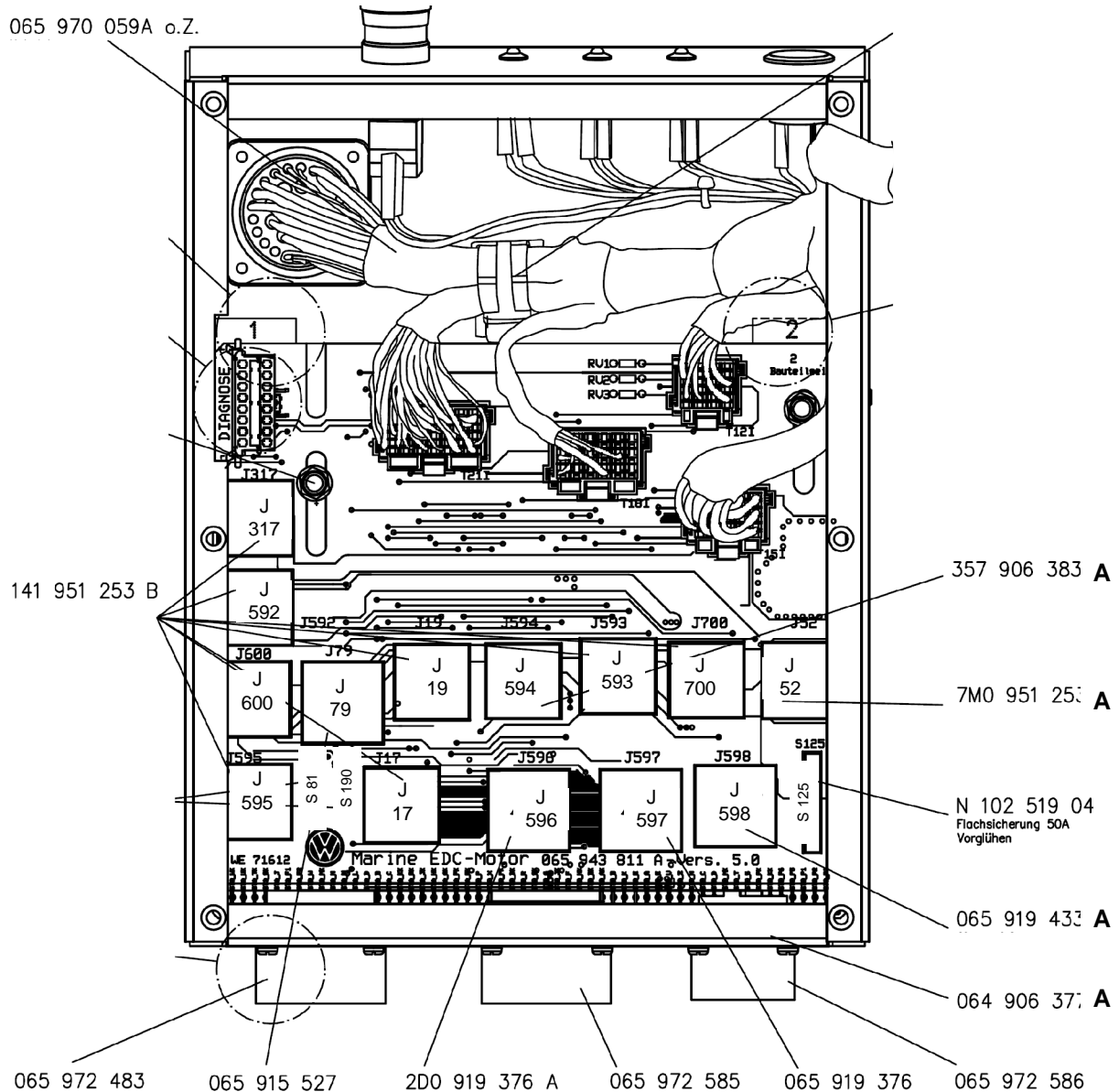


065 800 547 B  
oder 06V 800 547

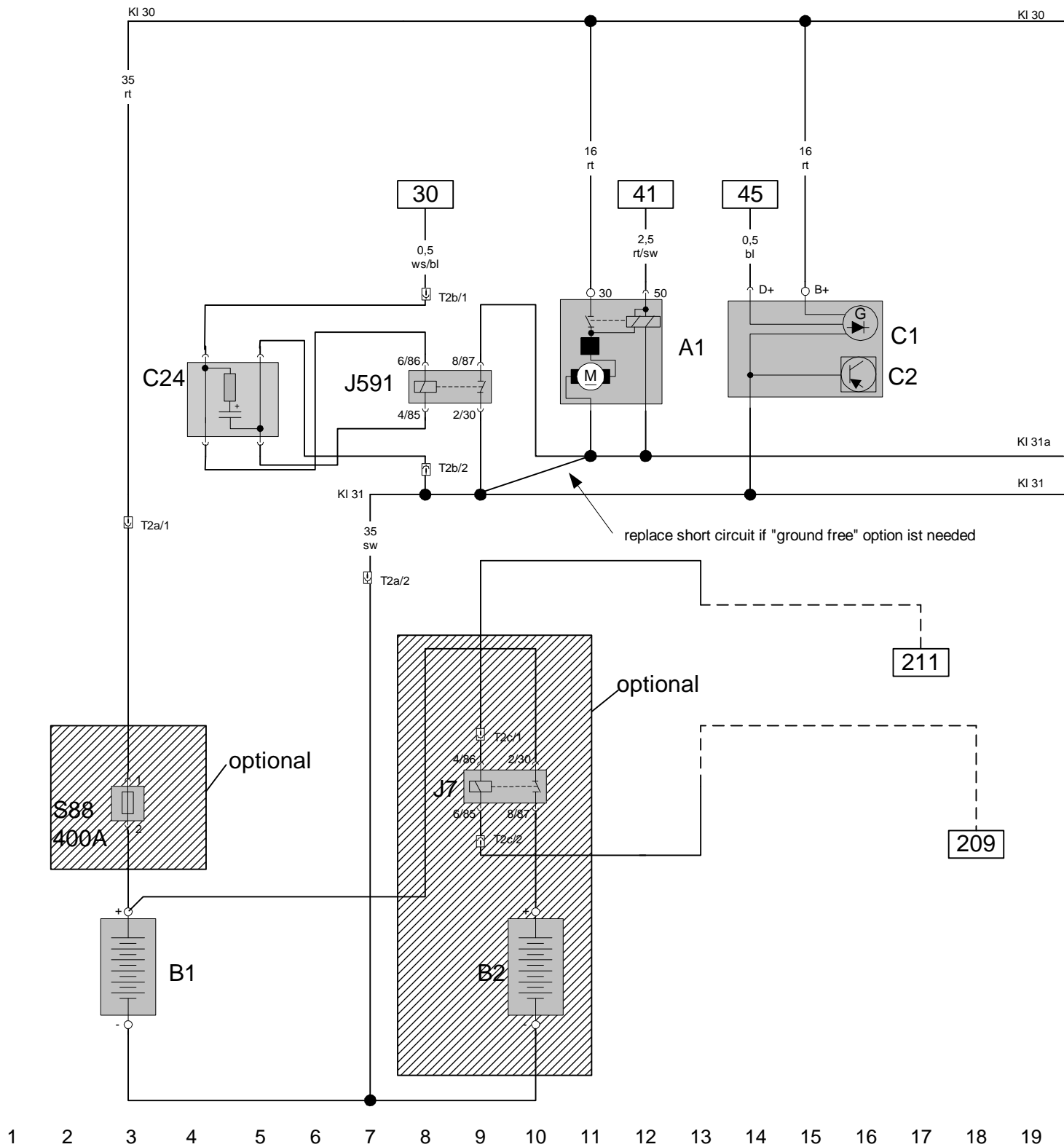


065 805 051 B

## Relays and Fuses

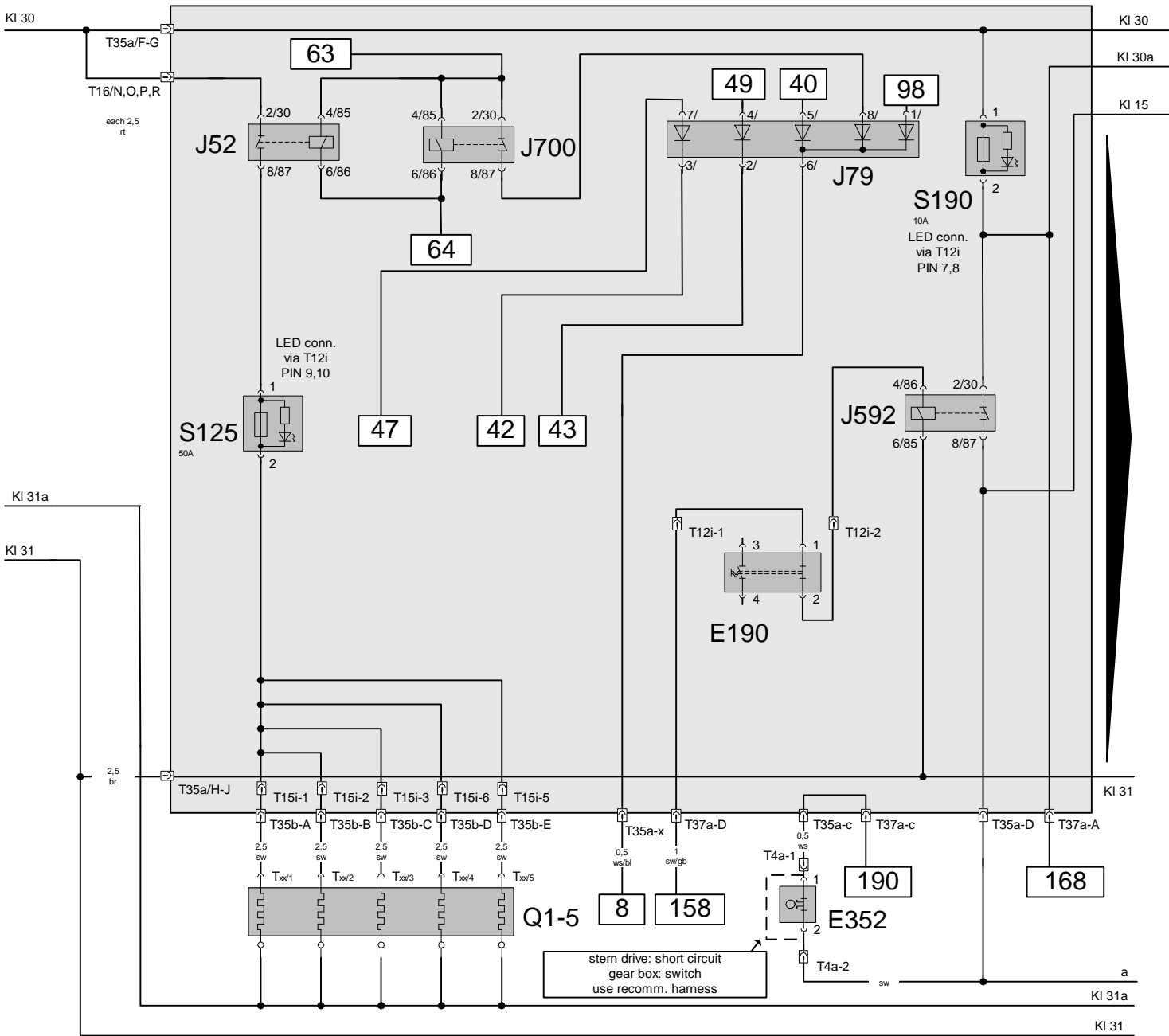


J 317	main relay for MDC	J 79	diode group
J 593	relay "ground free" shutoff device	J 52	relay for glowing plugs
J 592	relay terminal 15	J 17	relay for fuel pump
J 597	relay "water in fuel"	S 81	fuse for oil extr. and fuel pump
J 600	starting aid relay	J 19	starting relay
J 700	relay "ground free" for glowing plugs	J 594	engine stop relay
S 125	fuse glowing plugs 50A	S 190	fuse terminal 30a 15A
J 595	relay oil extraction pump	J 598	acoustic alert relay
J 596	relay "coolant level"		



- B1 Starter-Battery
- B2 optional 2nd battery
- S88 optional fuse
- J7 optinal battery separation relay
- J591 relay for option "ground free"
- A1 starter
- C1 alternator
- C2 voltage regulator in alternator
- C24 Cap pack for relay "ground free"

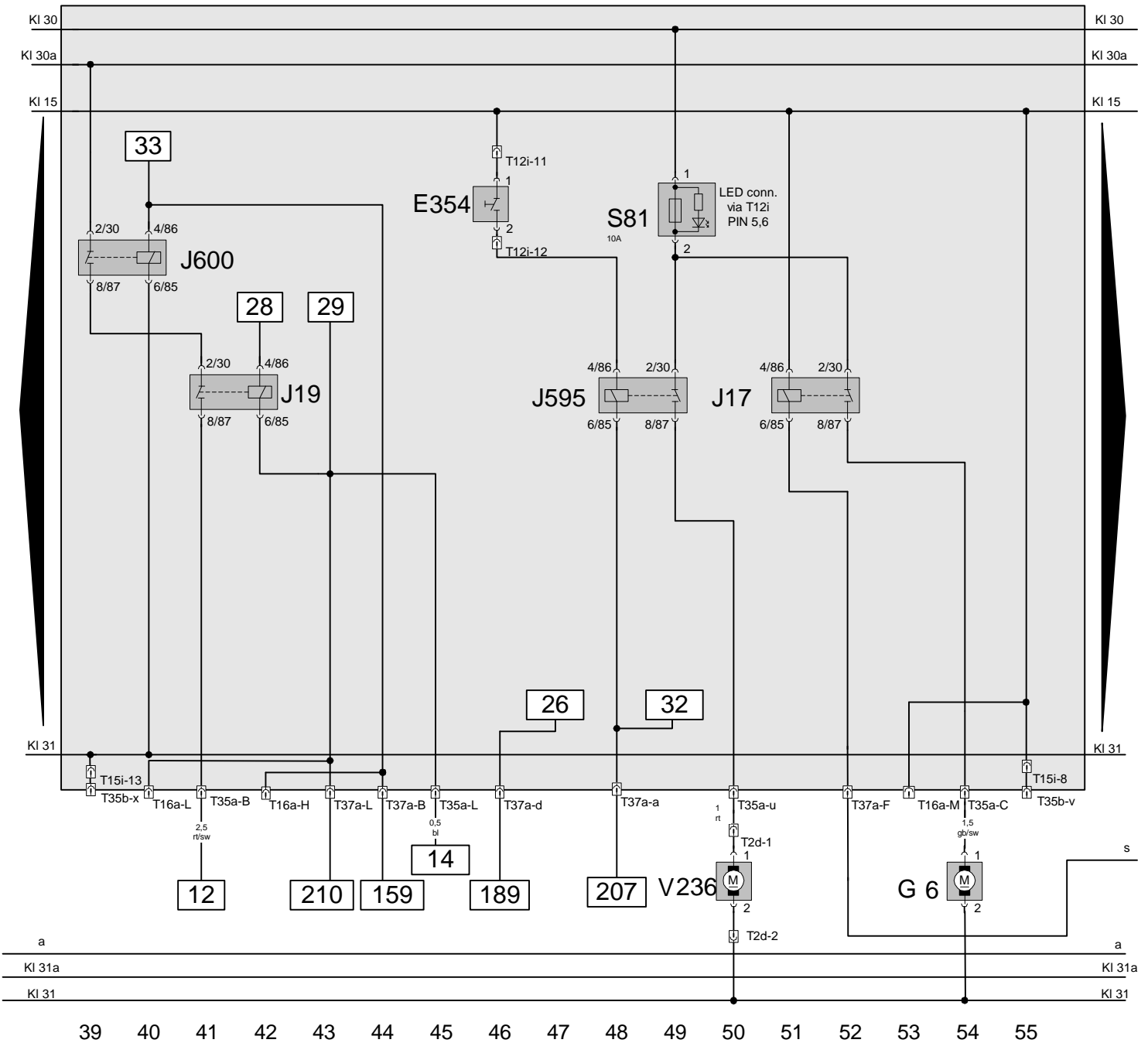
- T2a 2pin high current connector
  - T2b 2pin connector on at J591
  - T2c 2pin connector at relay J7
- Colors:
- rt = red sw = black bl = blue
  - ws = white gb = yellow gr = gray
  - gn = green li = violet



- |    |           |   |   |
|----|-----------|---|---|
| 20 | J52       | relay for glowing plugs                                     |   |
| 21 | J700      | relay "ground free" shutoff device                          | a |
| 22 | S125      | fuse for glowing plugs                                      |   |
| 23 | J79       | diode group   |   |
| 24 | S190      | fuse terminal 30a   |   |
| 25 | J592      | fuse terminal 15  |   |
| 26 | E190      | stop switch at central electric box                         |   |
| 27 | E352      | neutral switch (gear box)                                   |   |
| 28 | Q1 bis Q5 | glowing plugs   |   |
| 29 | T35a      | 35pin connector at bottom of central electric box           |   |
| 30 | T35b      | 35pin connector at back side of central electric box        |   |
| 31 | T16a      | 16pin connector at bottom of central electric box           |   |
| 32 | T37a      | 37pin connector at bottom of central electric box           |   |
| 33 | T4a       | 4pin connector "gear box version" on the back of the engine |   |
| 34 | Txx       | connector glowing plug                                      |   |
| 35 | T15i      | 15pin internal connector in central electric                |   |
| 36 | T12i      | 12pin internal connector in central electric                |   |

Colors:

rt = red      sw = black      bl = blue  
 ws = white    gb = yellow    gr = gray  
 gn = green    li = violet

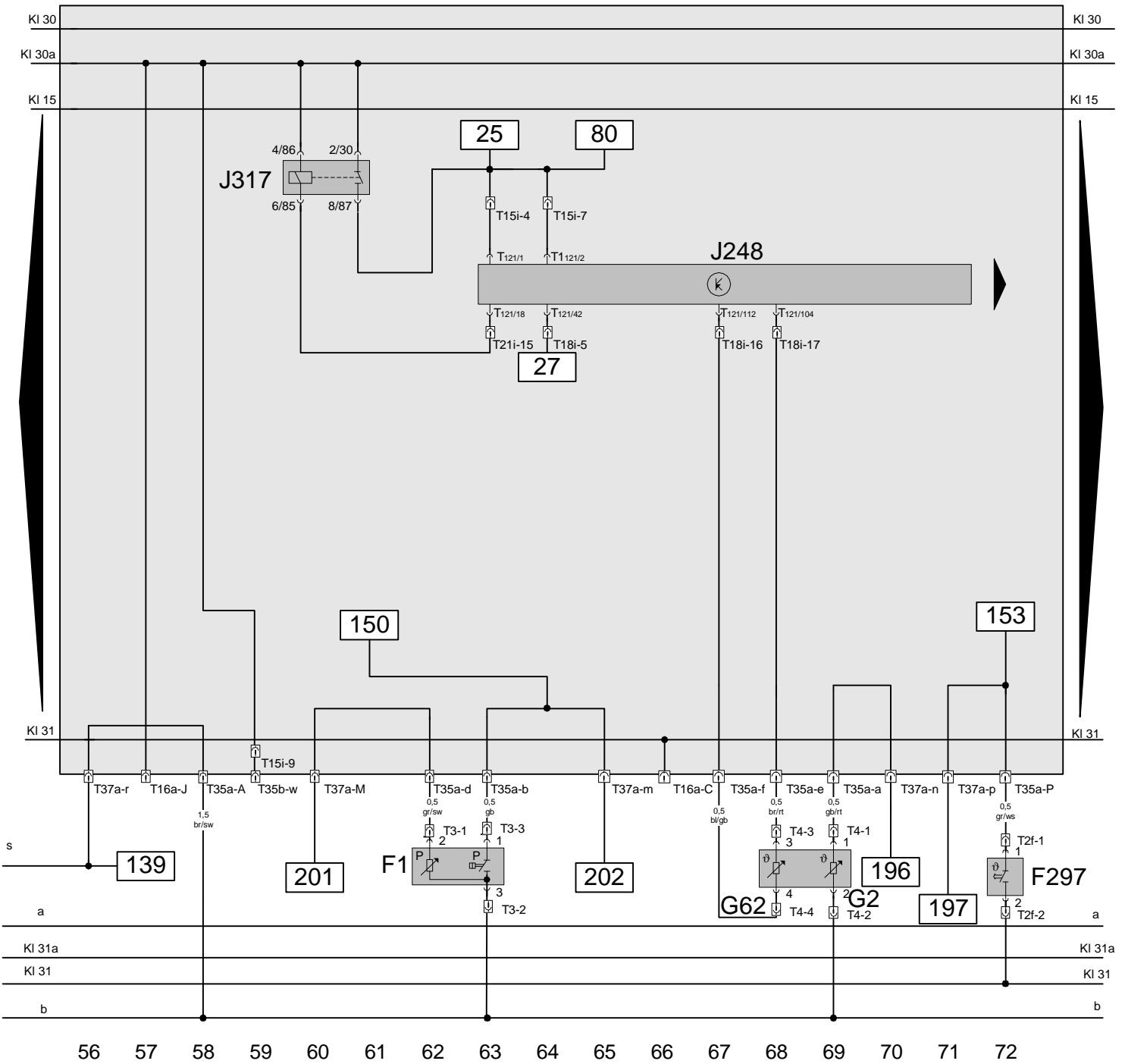


- T35a 35pin connector at bottom of central electric box
- T35b 35pin connector at back side of central electric box
- T16a 16pin connector at bottom of central electric box
- T37a 37pin connector at bottom of central electric box
- T2d 2pin connector at oil extraction pump
- J600 starting aid relay
- J19 starting relay
- E354 switch for oil extraction pump
- S81 fuse for oil extr./fuel pump
- J595 relay oil extraction pump
- J17 relay fuel pump
- V236 oil extraction pump
- G6 fuel pump
- T15i 15pin internal connector in central electric
- T12i 12pin internal connector in central electric
- T121 121pin two part connector pin 1-81 and pin 82-121

- a terminal 15 in engine harness
- s connection in harness

Colors:

- rt = red      sw = black      bl = blue
- ws = white    gb = yellow    gr = gray
- gn = green    li = violet

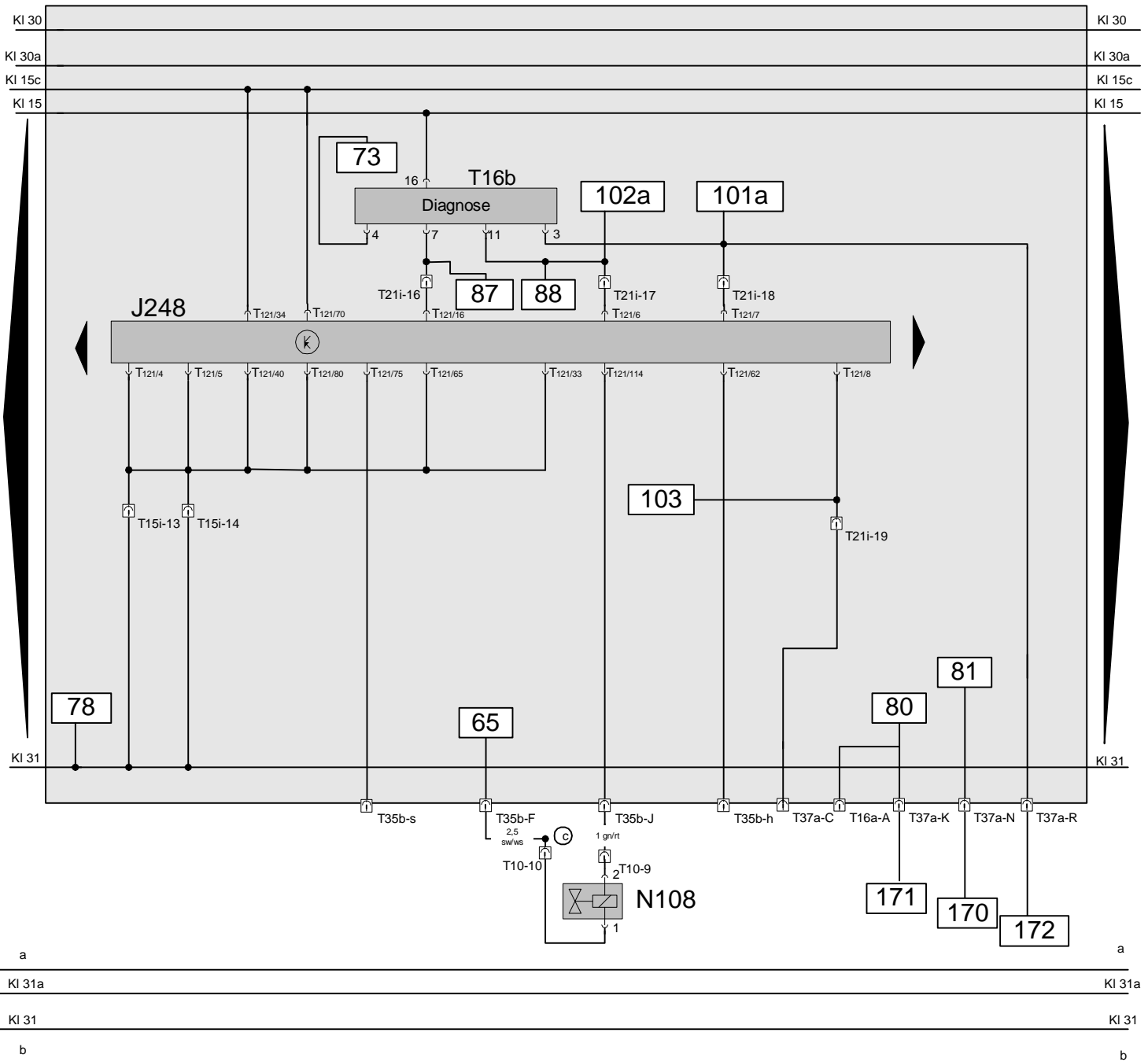


- T16a 16pin connector at bottom of central electric box
- T35a 35pin connector at bottom of central electric box
- T35b 35pin connector at the back side of central electric box
- T37a 37pin connector at bottom of central electric box
- T2f 2pin connector at temperature switch
- F1 oil pressure sensor / switch
- G62 coolant temp. sensor for MDC
- G2 coolant temp. sensor for instruments
- F297 coolant temp. switch (Instruments)
- J317 main relay MDC
- J248 MDC (ECU)
- T15i 15pin internal connector in central electric
- T12i 12pin internal connector in central electric
- T21i 21pin internal connector in central electric
- T18i 18pin internal connector in central electric
- T121 121pin two part connector pin 1-81 and pin 82-121
- T4 4pin connector at temp. sensor
- T3 3pin connector at oil pressure sensor

- a terminal 15 in engine harness
- b sensor ground in engine harness
- s connection in harness

Colors:

- rt = red      sw = black      bl = blue
- ws = white    gb = yellow    gr = gray
- gn = green    li = violet

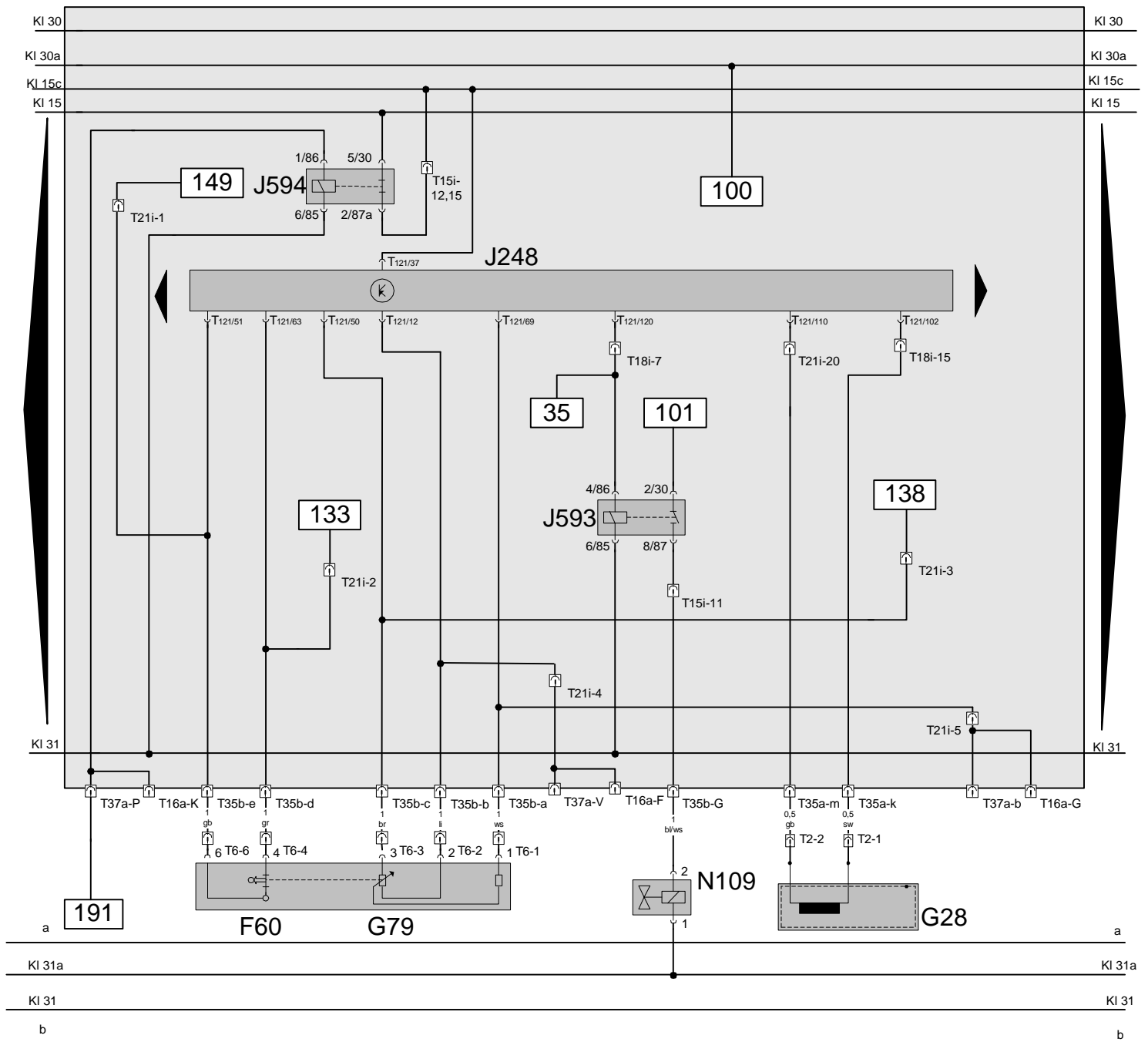


	73	74	75	76	77	78	79	80	81	82	83	84	85	86	87	88	89
T16a	16pin connector at bottom of central electric box											a	terminal 15 in engine harness				
T35a	35pin connector at bottom of central electric box											b	sensor ground in engine harness				
T35b	35pin connector at the back side of central electric box													c	connection in harness		
T37a	37pin connector at bottom of central electric box																
T16b	16pin connector "diagnosis" in central electric box																
T10	10pin connector at distribution pump																
J248	MDC (ECU)																
N108	timing adjuster																
T15i	15pin internal connector in central electric																
T12i	12pin internal connector in central electric																
T21i	21pin internal connector in central electric																
T18i	18pin internal connector in central electric																
T121	121pin two part connector pin 1-81 and pin 82-121																

Colors:

rt = red    sw = black    bl = blue  
 ws = white    gb = yellow    gr = gray  
 gn = green    li = violet





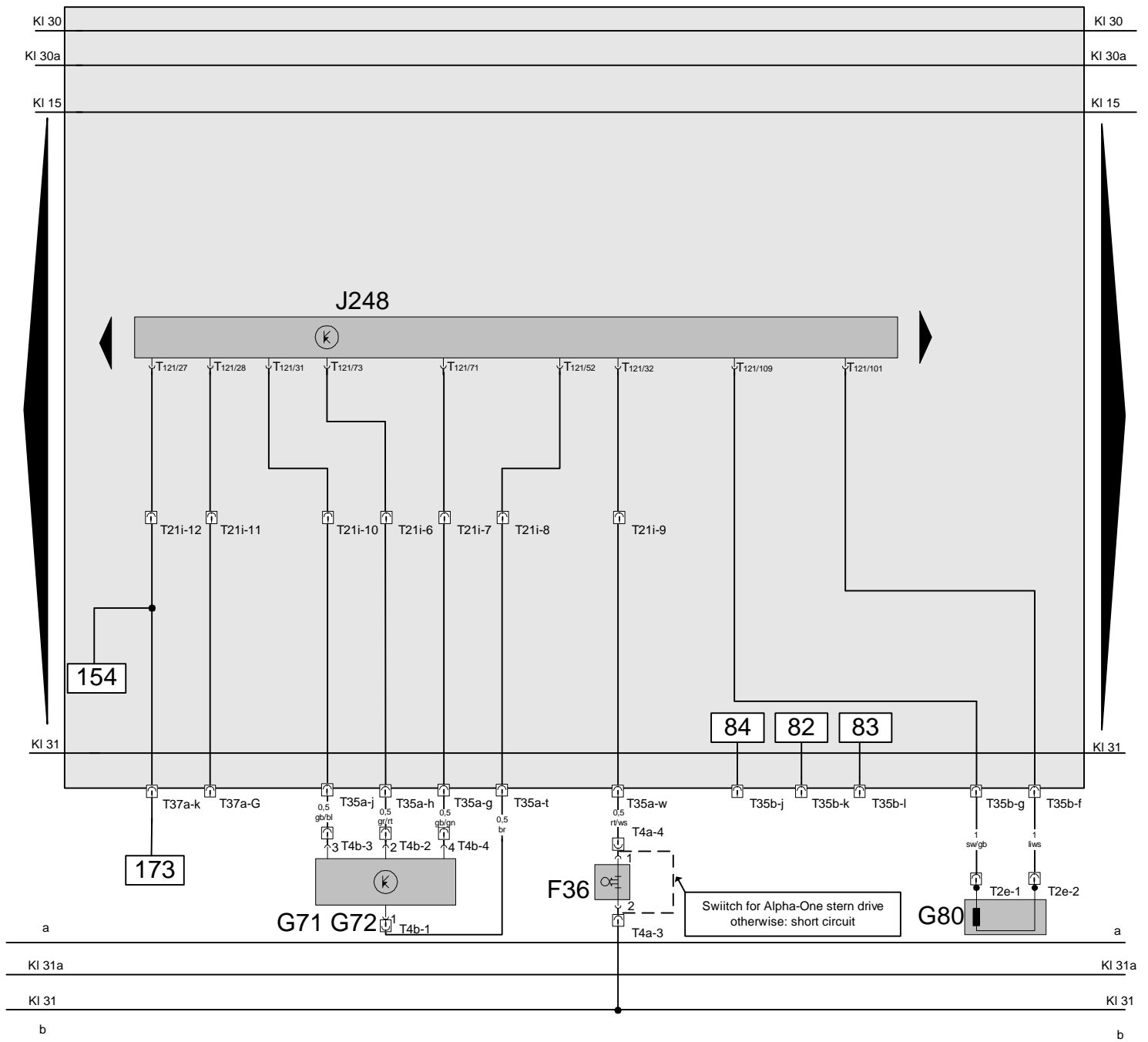
90 91 92 93 94 95 96 97 98 99 100 101 102 103 104 105 106

- T16a 16pin connector at bottom of central electric box
- T35a 35pin connector at bottom of central electric box
- T35b 35pin connector at the back side of central electric box
- T37a 37pin connector at bottom of central electric box
- J593 relay "ground free" shutoff device
- J594 stop relay
- F60 idle switch in pedal-force sensor
- G79 sensor in pedal-force sensor
- N109 shutoff device
- G28 rpm sensor
- T15i 15pin internal connector in central electric
- T12i 12pin internal connector in central electric
- T21i 21pin internal connector in central electric
- T18i 18pin internal connector in central electric
- T121 121pin two part connector pin 1-81 and pin 82-121
- T6 6pin connector at pedal-force sensor
- T2 2pin connector at rpm sensor

- a terminal 15 in engine harness
- b sensor ground in engine harness

Colors:

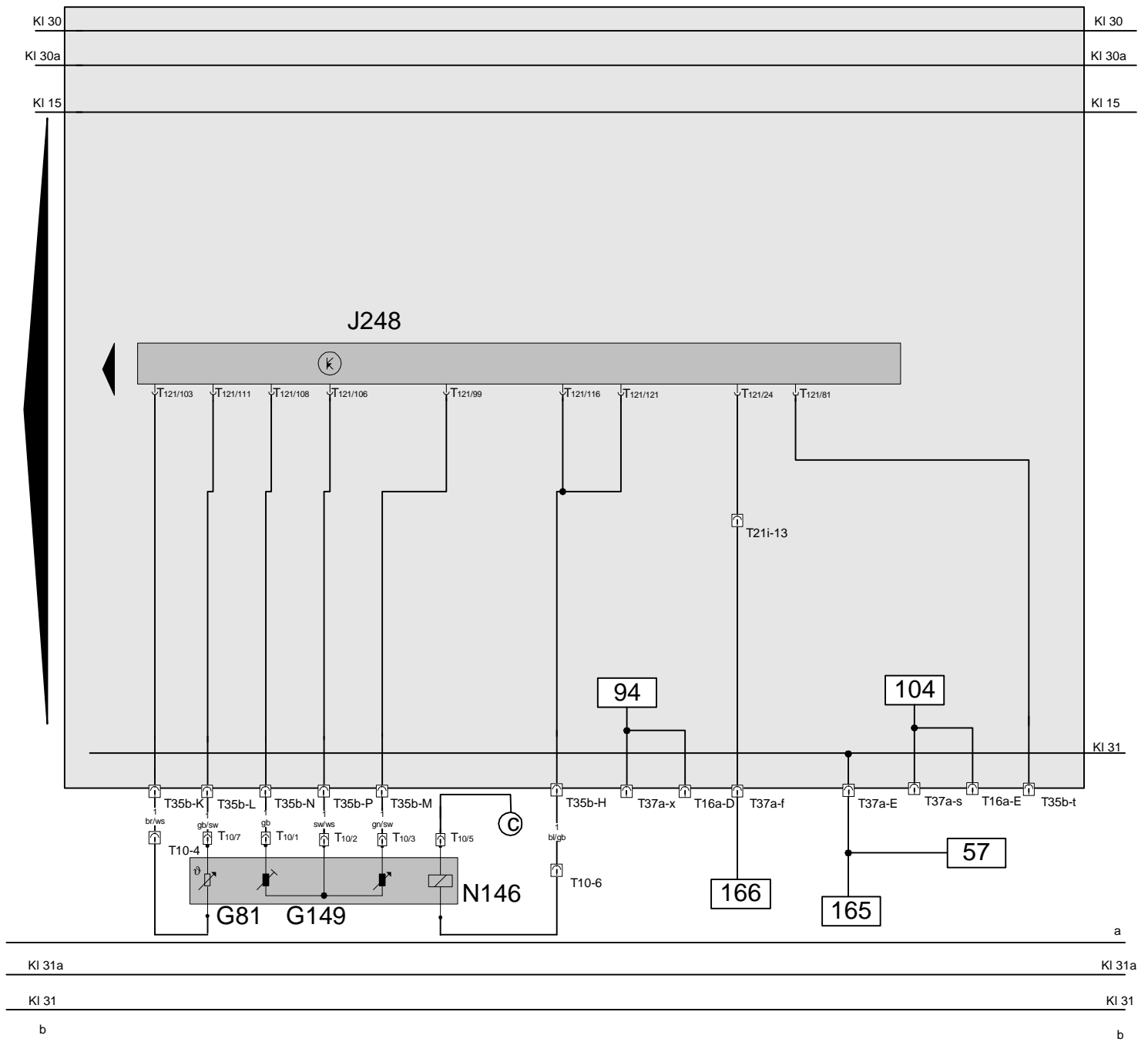
- rt = red sw = black bl = blue
- ws = white gb = yellow gr = gray
- gn = green li = violet



107	108	109	110	111	112	113	114	115	116	117	118	119	120	121	122	123
T16a	16pin connector at bottom of central electric box										a	terminal 15 in engine harness				
T35a	35pin connector at bottom of central electric box										b	sensor ground in engine harness				
T35b	35pin connector at the back side of central electric box															
T37a	37pin connector at bottom of central electric box															
J248	MDC (ECU)															
F36	alpha-one switch															
G71 G72	sensor air temp. and pressure															
G80	needle-stroke sensor															
T15i	15pin internal connector in central electric															
T12i	12pin internal connector in central electric															
T21i	21pin internal connector in central electric															
T18i	18pin internal connector in central electric															
T121	121pin two part connector pin 1-81 and pin 82-121															
T4a	4pin connector of "gear box" at the back of the engine															
T4b	4pin connector at air temp. and pressure sensor															
T2e	2pin connector at needle-stroke sensor															

Colors:

rt = red    sw = black    bl = blue  
 ws = white    gb = yellow    gr = gray  
 gn = green    li = violet

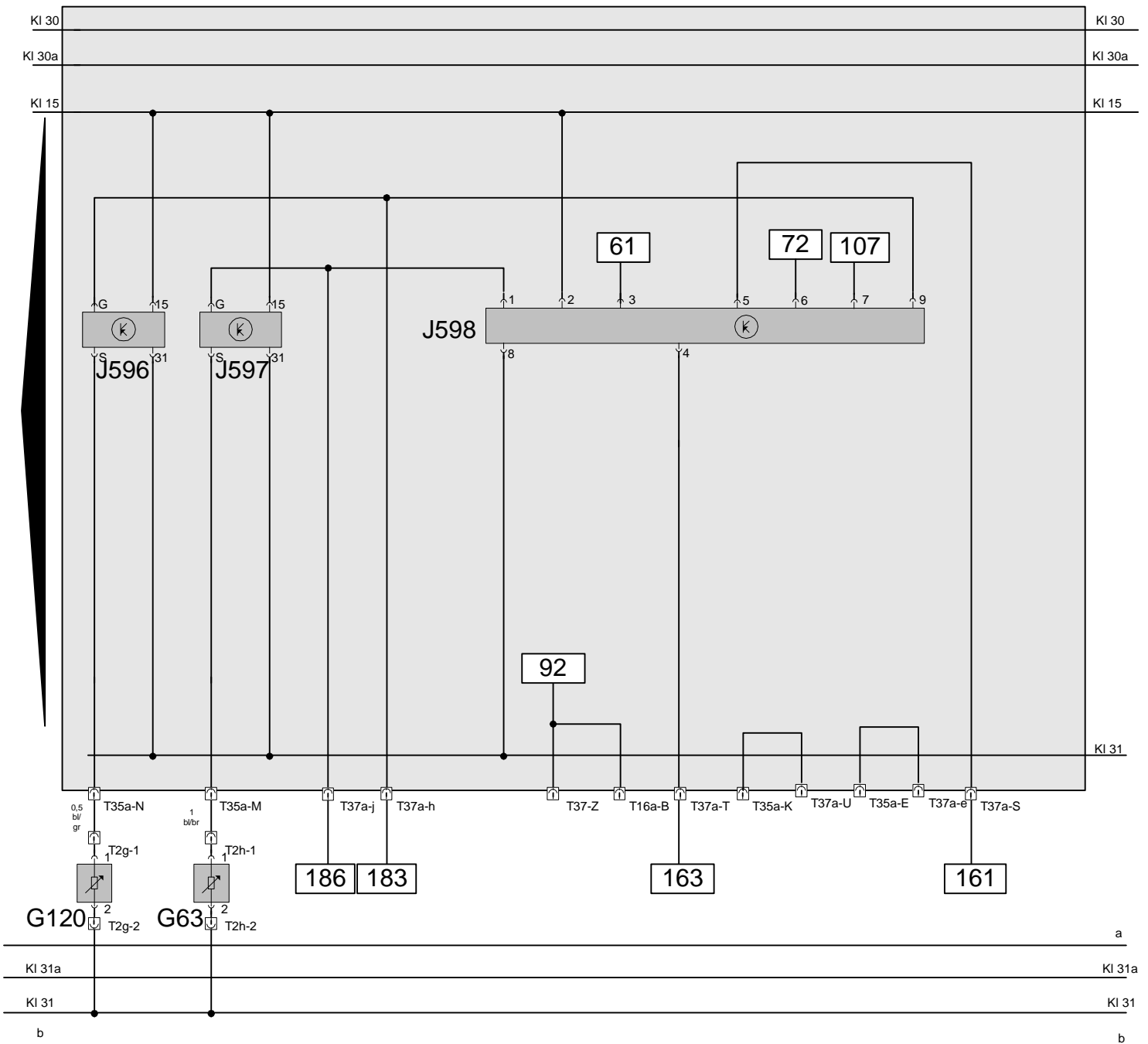


124 125 126 127 128 129 130 131 132 133 134 135 136 137 138 139 140

- |      |  |   |                               |
|------|--|---|-------------------------------|
| T16a | 16pin connector at bottom of central electric box        | a | terminal 15 in engine harness |
| T35a | 35pin connector at bottom of central electric box        | b | sensor ground                 |
| T35b | 35pin connector at the back side of central electric box | c | connection in harness         |
| T37a | 37pin connector at bottom of central electric box        |   |                               |
| J248 | MDC (ECU)  |   |                               |
| G81  | fuel temp. sensor in distribution pump                   |   |                               |
| G149 | modulation piston movement sensor in distribution pump   |   |                               |
| N146 | metering adjuster sensor in distribution pump            |   |                               |
| T15i | 15pin internal connector in central electric             |   |                               |
| T12i | 12pin internal connector in central electric             |   |                               |
| T21i | 21pin internal connector in central electric             |   |                               |
| T18i | 18pin internal connector in central electric             |   |                               |
| T121 | 121pin two part connector pin 1-81 and pin 82-121        |   |                               |
| T10  | 10pin sensor at distribution pump                        |   |                               |

Colors:

rt = red    sw = black    bl = blue  
 ws = white    gb = yellow    gr = gray  
 gn = green    li = violet

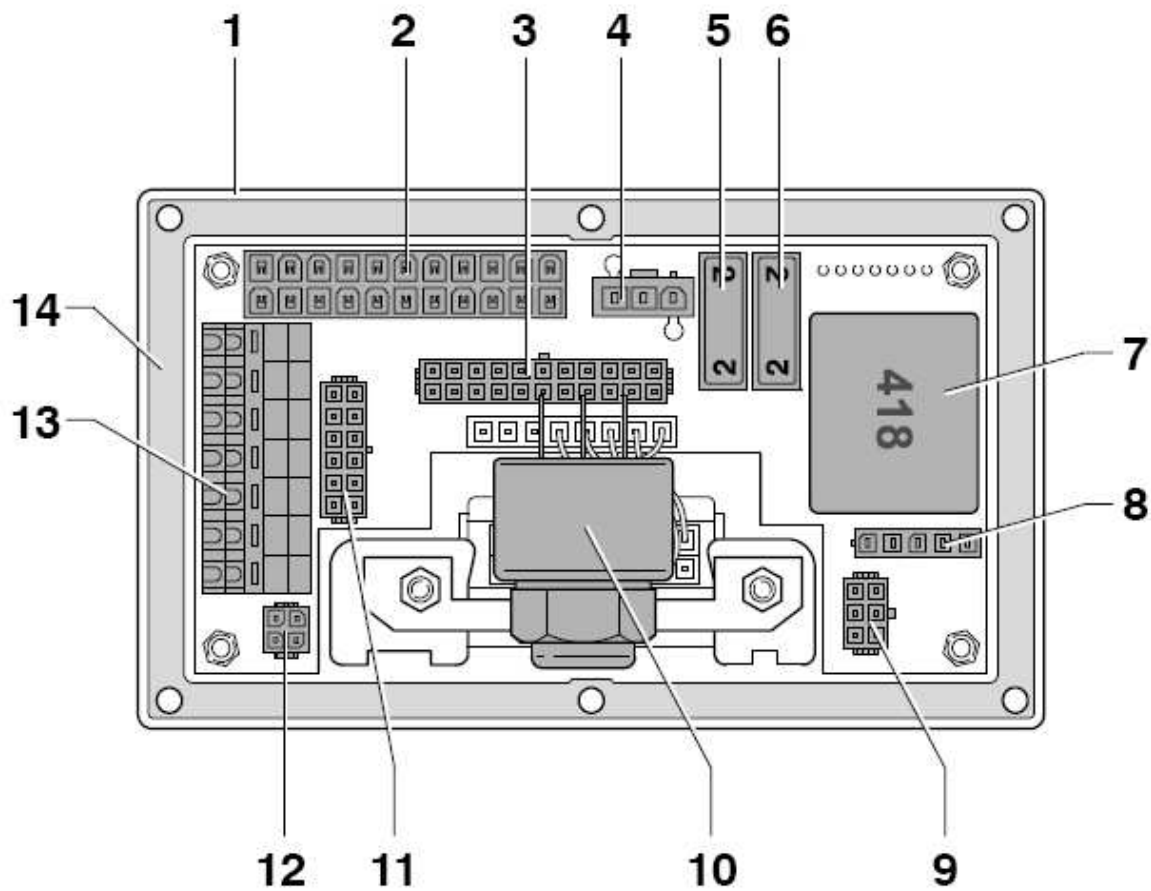


141	142	143	144	145	146	147	148	149	150	151	152	153	154	155	156	157
T16a	16pin connector at bottom of central electric box								a	Terminal 15 in engine harness						
T35a	35pin connector at bottom of central electric box								b	sensor ground in engine harness						
T35b	35pin connector at the back side of central electric box															
T37a	37pin connector at bottom of central electric box															
T2g	2pin connector of coolant level sensor															
T2h	2pin connector of "water in fuel" sensor															
G120	coolant level sensor															
G63	"water in fuel" sensor															
J596	relay "coolant level"															
J597	relay "water in fuel"															
J598	acoustic alert relay															
T121	121pin two part connector pin 1-81 and pin 82-121															

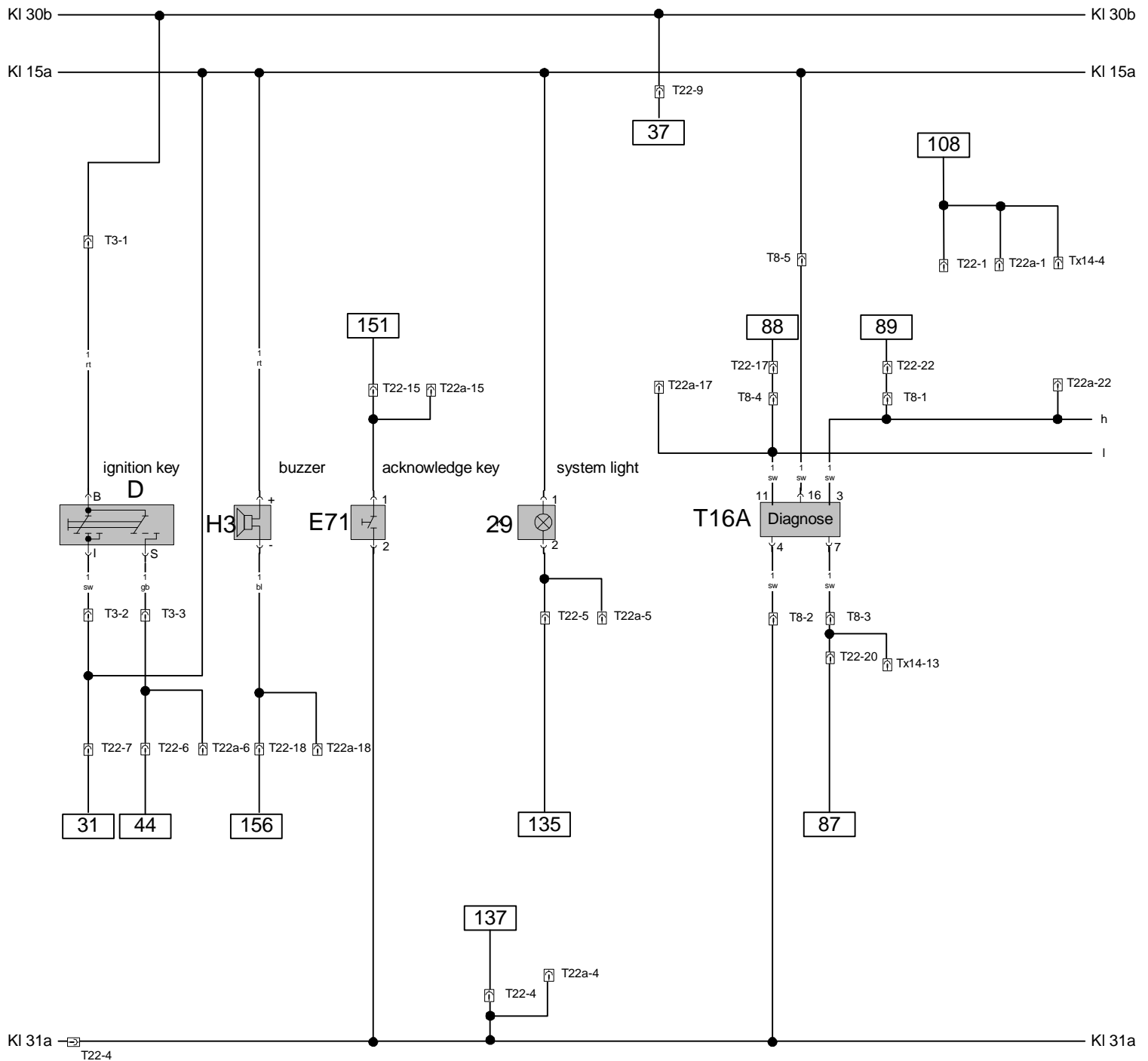
Colors:

rt = red      sw = black      bl = blue  
 ws = white   gb = yellow gr = gray  
 gn = green   li = violet

# Instruments



- 1 - plate or panel
- 2 - Connector T22 from central electric
- 3 - Connector T22a to Flybbridge
- 4 - Connector T3 to ignition key
- 5 - Fuse S2 - 2 Amp. terminal 30
- 6 - Fuse S1 - 2 Amp. terminal 15
- 7 - Relay instrument lights
- 8 - Connector T5 for oil pres. gauge
- 9 - Connector T6 for coolant temp. gauge
- 10 - buzzer
- 11 - Connector T12 für tacho / mfd
- 12 - Connector T4 - für Voltmeter
- 13 - Connector X14 - conntor
- 14 - seal (only mini panel)



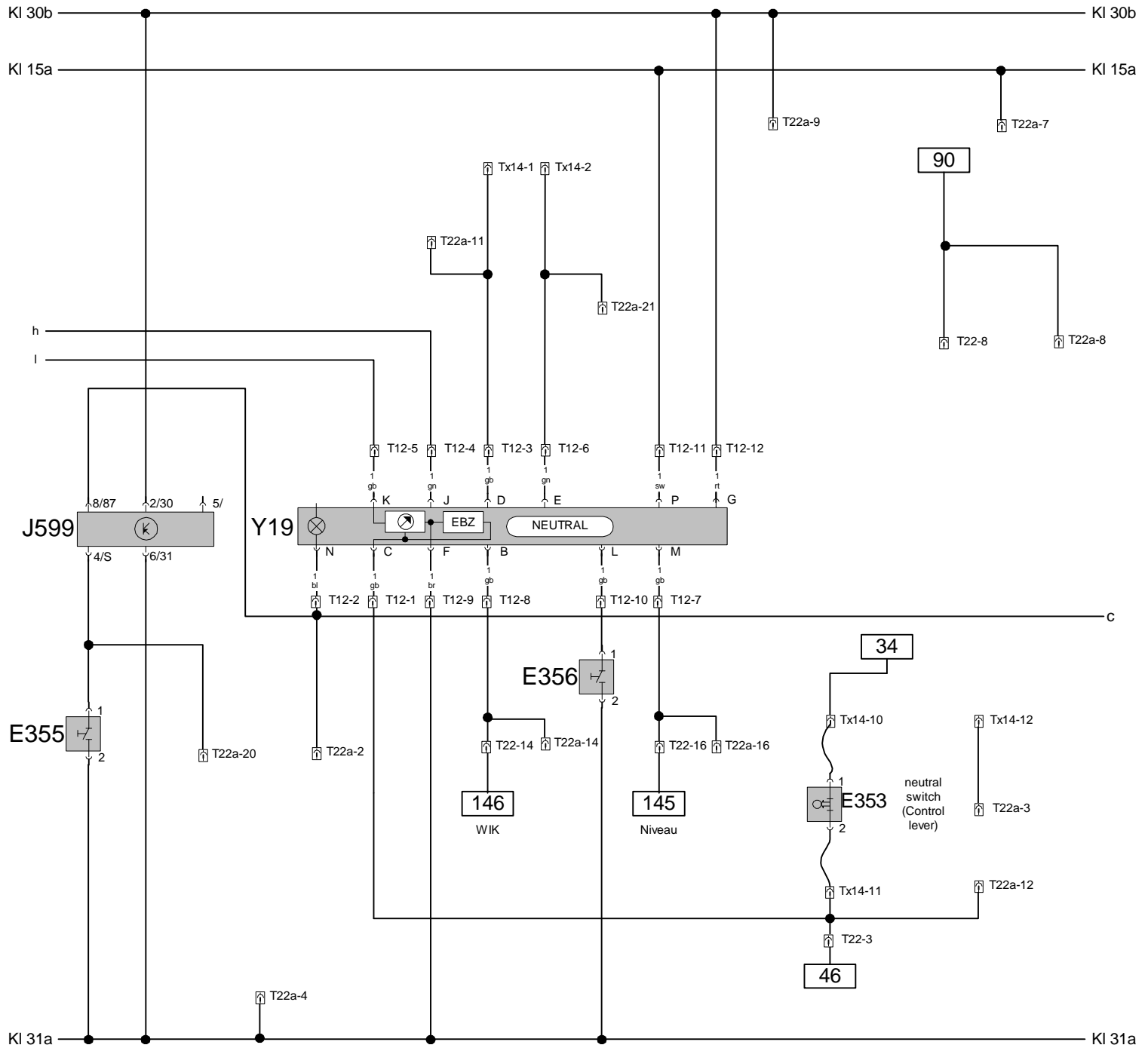
158 159 160 161 162 163 164 165 166 167 168 169 170 171 172 173 174 175

- D ignition key
- H3 buzzer
- E71 key "alert acknowledge"
- K29 system light
- T16A Diagnose connection (panel)
- T37 37pin connector on central electric
- T3 3pin connector for ignition key
- T22 22pin connector from central electric
- T22a 22pin connector to flybridge

- h, l connection on panel
- T8 8pin connector on panel

Colors:

- rt = red
- sw = black
- bl = blue
- ws = white
- gb = yellow
- gr = gray
- gn = green
- li = violet

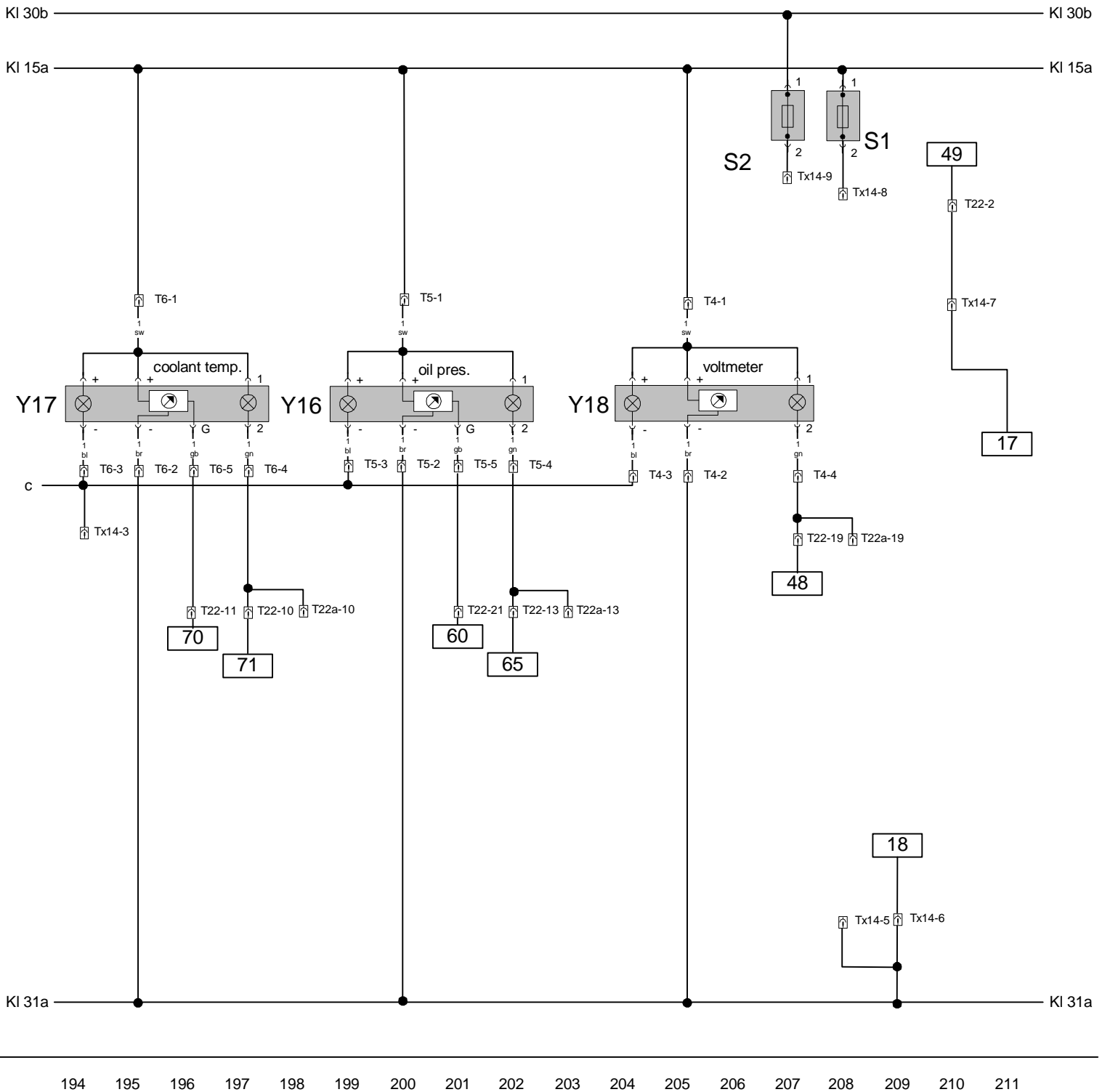


176 177 178 179 180 181 182 183 184 185 186 187 188 189 190 191 192 193

- J599 relay instr. light dim
  - E355 dimming key
  - E356 key for multi function display (mfd)
  - Y19 tacho with mfd
  - T12 12pin connector for tacho / mfd
  - Tx14 14pin connector for options
  - E353 neutral switch in control lever
  - T22 22pin connector from central electric
  - T22a 22pin connector to flybridge
- h, l, c connection on panel

Colors:

rt = red	sw = black	bl = blue
ws = white	gb = yellow	gr = gray
gn = green	li = violet	



- Y17 coolant gauge
- Y18 voltmeter
- Y16 oil pressure gauge
- T22 22pin connector from central electric
- T22a 22pin connector to flybridge
- T4 4pin connector for voltmeter
- T6 6pin connector for coolant gauge
- T5 5pin connector for oil pressure gauge

c connection on panel

Colors:

rt = red      sw = black      bl = blue  
 ws = white    gb = yellow    gr = gray  
 gn = green    li = violet