

BOATS & HARBORS®

\$4.00



FIRST APRIL ISSUE 2020 • VOLUME 62 NO. 33

"THE" MARINE MARKETPLACE

Since 1958

Serving The East Coast, Gulf Coast, West Coast & Inland Waterways

PH: (931) 484-6100 • FAX: (931) 456-2337 • Email: gdonnelly@boats-and-harbors.com • www.boats-and-harbors.com

SEA SCOUT FOR SALE

Part of the Oceaneering International, Inc. Surplus Equipment Sale presented by M&E Partners LLC and DMC Ltd. Browse over 1,100 items of equipment available in Morgan City, Houston, Norway, Aberdeen and Australia. Visit dmcsaleyard.com to see what's for sale and to download documentation.

Length.....134 Feet
 Beam.....37 Feet
 Draft.....6.5 Feet
 Built..... 2012 for C&C Technologies
 Passengers.....22 Passengers + 4 Crew
 Engines.....2x Caterpillar C32 + 2x CAT C18
 Rating.....900 HP @ 2300 RPM
 Propulsion.....4x Fixed Pitch Props (5 Blade)
 Fuel.....11060 Gallons
 Speed.....20 knots Cruise / 28 knots Top

This custom designed aluminum research vessel built 2012 (originally for C & C Technologies) was one of the first catamarans featuring quad propeller propulsion. The catamaran design offers great sea-keeping ability which allows the survey team to operate in all kinds of weather.

DOWNLOAD SPEC AND SEE OTHER EQUIPMENT FOR SALE AT:
DMCSALEYARD.COM



M&E: +1 (251) 404-2367 / +1 (504) 579-4827, DMC: +44 (0) 1263 733530




Contents of this publication either in whole or in part may not be reproduced without the express permission of the publisher. Copyright © 2020 Donnelly Advertising & Publishing.

DAMCO MARINE MANAGEMENT, INC

Marine Industry Sales & Charters For Over 35 Years

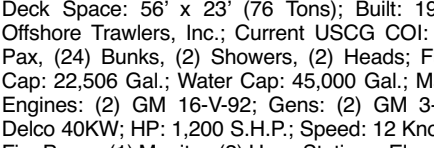
(3) U.S. Flagged Offshore Utility Vessels
For Sale En Bloc or Individually
PRICED TO SELL
 Located US Gulf of Mexico
 All Vessels in Service, Current USCG COI, Excellent Condition!

Offshore Utility Boat • 110' x 26' x 8'




Deck Space: 47' x 22.5'; Year Built: 1976; Builder: Universal Iron Works; Constr.: Steel Hull; Crew Members: 4; Main Engines: (2) GM 16-V71 Detroit; Gens: (2) GM 3-71 30KW; Speed: 10 Knots; Fuel Cap: 15,000 Gal.; Water Cap: 20,000 Gal.; Lube Oil: 80 Gal.; Hydraulic Oil: 80 Gal.; Accom: 4 Crew, 6 Additional Berths

Offshore Utility Boat • 110' x 26' x 11'



Deck Space: 56' x 23' (76 Tons); Built: 1981 Offshore Trawlers, Inc.; Current USCG COI: 32 Pax, (24) Bunks, (2) Showers, (2) Heads; Fuel Cap: 22,506 Gal.; Water Cap: 45,000 Gal.; Main Engines: (2) GM 16-V-92; Gens: (2) GM 3-71 Delco 40KW; HP: 1,200 S.H.P.; Speed: 12 Knots; Fire Pump: (1) Monitor, (2) Hose Stations; Elecs: (1) Radar, (1) SSB, (2) VHF, (1) GPS; Lifesaving Equip: (36) Lifejackets, (4) 30" Ring Buoys, (3) 12-Man Rafts

Offshore Utility Boat • 115' x 26' x 12'



Deck Space: 55' x 23' (90 Tons); Year Blt: 1980; Builder: North American; Crew Members: 4; Current USCG COI: 16 Pax; Accom: (12) Bunks, (2) Showers, (2) Heads; Fuel Cap: 20,500 Gal.; Water Cap: 45,000 Gal.; Main Engs: (2) GM16-V-92; Gens: (2)GM 6-71 Delco 60KW; HP: 1,200 S.H.P.; Speed: 12 Knts; Fire Pump: (1) Monitor, (2) Hose Stations; Elecs: (2) Radar, (1) SSB, (2) VHF, (1) GPS; Lifesaving Equip.: (20) Lifejackets, (4) 30" Ring Buoys, (2) 12-Man Rafts


Call or Email DAMCO For Details: (985) 384-2614
sales@damcomarine.com • www.DAMCOMARINE.com

BOATS & HARBORS®
 P. O. Drawer 647
 Crossville, Tennessee 38557-0647
 USA



OIL PADS
Only \$21.00 Per Bale
Five Stocking Locations
 We Have The Best Prices On
 Oil Absorbents, Booms, Pads
 and Socks.
800-9-BUYNET
www.buyingnetwork.com


Dry Docks For Sale



65' x 45' x 5' Deep Dry Dock • 4 Years Old
 Self Raising & Lowering • Galveston Bay Area
Price: \$175,000
Contact: (281) 660-8808

BOATS & HARBORS
 IS
"THE" MARKET PLACE
FOR THE MARINE INDUSTRY

USCG Certified • 345 Passengers • Partially-Protected Waters
 Premier NY Harbor Passenger Vessel & NYC Business Est. 2005 • 120' LOA x 33' Beam
 x 5' 10" Draft • Built 2002 by Keith Marine • Steel Hull • COI to 2023 • Dock Lease to 2023




Successful private charter business located in NYC's premier midtown marina
Extensive client base • Name recognition • Online presence
Solid bookings for the coming 2 years


A Winston charter yacht, designed by renowned naval architects DeJong & Lebet and built by Keith Marine with oversight of the US Coast Guard. One of the finest & best maintained passenger vessels available in the US today. Features over 15,000 sf of deck area accessible to guests including Salon Deck, Dining Deck, Lounge Deck, Sky Deck & VIP Cabin. Fully furnished throughout. Features include 5-floor full-size elevator, 4 massive bars & 9 bathrooms. Amenities include Baby Grand Piano, Fireplace, 5 large screen TVs, expansive dance floor, wine coolers & much more. Complete galley with Jackson commercial dishwasher, large commercial ice maker, 2 Southbend convection ovens, warmer, induction heat stove top & oven, walk in refrigerator, 3 freezers, washing machine & dryer, hot plates & complete front & back of house. State of the Art Security System. Spacious Pilothouse with full electronics, satellite navigations, Auto Pilot, radars & 2 wing stations. Walk in engine room, maintenance room & tool room. 2-6CTA Cummins 430 HP each & 2-99kw 6BT Cummins gens, 155 HP Cummins bow thruster. Complete HVAC system on all decks. Excellent condition throughout.

Turn Key Operation • Under 100 Gross Ton License • Low Maintenance
Call: 917.686.1016 • \$3,850,000 • Serious Inquiries Only
www.aquaazulyacht.com • info@aquazulyacht.com


LIFETIME CUSTOM ALUMINUM BOATS




25' LANDING CRAFT




WORK BOAT 20', 24' - IN STOCK



24' DECK BARGE - IN STOCK



21' LANDING CRAFT - END OF YEAR REDUCTION PRICE



30' LANDING CRAFT - IN STOCK



27' DUMP BARGE - IN STOCK

~ Stock Workboats Available ~
Workboats and Landing Craft in Stock

LIFETIME BOATS, INC.
 14104 Hwy 84, Jonesville, LA 71343
Phone (318) 339-4007
bodie@lifetymeboats.com
www.lifetymeboats.com

VISA **MasterCard**

PINE HILL EQUIPMENT

655 Pine Hill Rd. - Westport, MA 02790 • E-mail: sales@pinehillequipment.com
 "Pictures of all equipment can be emailed upon request. Dimension sheets also available"

Marine Cranes | Spare Parts

Pine Hill Equipment is proud to offer marine products by:

PALFINGER

CRANES - Off-shore, ship-mounted & dock mounted cranes • Knuckle boom, telescopic boom, and stiff boom configurations • Cranes from 2.5 mt to 400 mt • Heavy Lift cranes to 3000 mt • Certified for ABS, DNV & others.
PARTS - Spare parts for all things Palfinger Marine & Palfinger NedDeck. Many in stock. Fast reliable ordering service.
PACKAGES - Power units, winches, radio remote controls, anti-2-block systems, scales & weight systems, platforms, seats, cabs & crane skids. Spare parts, pipes & hoses. After sales & service.

(1) New Old Stock PK9501MTV Crane
 Brand New Never Used Military Surplus Crane
 Year: 2002 ~ 72,330 ft lbs ~ Max winch cap: 6,610 lbs ~ Max reach: 16' 5" ~ Crane (dry) weight: 1,962 lbs ~ Includes Radio Control System, Capacity on hook: 4,080 LBS @ 16.5 FT, 6,060 LBS @ 11.5 FT, 10,140 LBS @ 6.5 FT, Winch includes 3 wrap device. Control Stand Available.



(1) Used PK11001 Palfinger Truck Crane
 Year: Unknown ~ 74,740 FT/LBS ~ Max lifting cap. 12,570 LBS ~ Max hydraulic outreach 18.3 FT ~ Dry weight (std.) 2,510 LBS, Capacity on hook: 6062 LBS @ 12.1 ft, 4056 LBS @ 18.3 ft, Winch available. Valve shipped loose.



(1) ZF IRM 320 PL-1 REVERSE GEAR
 1-12:1, SAE No. 1 Bell Housing, serial no. 320-672, new never used cond. Call for price.



200 TON SHACKLE
 LIKE NEW • \$1,250



NEW KAWASAKI "STAFFA" Radial Piston Motor
 Brand New - Take Off Hydraulic Radial Piston Motor. Heavy Duty, High Torque, Low Speed. Model: HMHDB200/T/FM4 /30/PL130, Serial: 01A10151. 188 Cubic Inch, Max Continuous Speed: 175 RPM, Max Continuous Output: 174 HP, Max Cont. Pressure: 3625 PSI.
Full specs & price upon request.

Custom Hydraulic Power Units! Rent or Own!
 Any HP, wireless control capabilities, any GPM, any size!
 They are fully customizable and marine tested and proven.
 Below are the pictures of our standard 80HP!

DIESEL POWER UNITS FOR SALE OR RENT
 Available quickly. Standard diesel HPUs up to 173 HP. Built to spec. Buy or rent. We can deliver to your jobsite. Call for availability.



NEW OLD STOCK 25 HP YANMAR DIESEL POWER UNIT
 Skid mounted with integrated diesel and hydraulic tank. Currently set up for 16 gpm at 2500 PSI, however pump can be changed out to meet your needs. Call (508) 294-4763



Available For Immediate Dispatch:
 (2) 99 HP John Deere Units - For Sale or Rent
 (2) 85 HP Kubota Units - For Rent Only


WIRELESS RADIO REMOTE CONTROLS



Wirelessly control all of your hydraulic equipment. Don't be stuck behind a console! Safely run your equipment with the ability to be in a better line of sight. Push button stop features allow you to remotely shut down equipment in case of machinery failure or other emergency. Remotely control your cranes, winches, deck equipment, power units and motor starters, etc. We can safely and remotely control just about anything. Call with your specifications.

DESIGN & CONSTRUCTION OF HYDRAULICALLY POWERED WINCHES AND LINE/MATERIAL HANDLING MACHINERY FOR ALL APPLICATIONS
 Often Times It Is More Cost Effective To Replace Old Mechanically Driven Winch Systems With NEW Hydraulic Winches and Power Units!

WE ARE DISTRIBUTORS OF



PULL MASTER

PLANETARY WINCHES AND PLANEMATIC PLANETARY DRIVES
 FROM 1,000 LBS. TO 75,000 LBS. LINE PULL

CALL OR FAX US FOR A QUOTE ON YOUR NEXT WINCH REQUIREMENT!
 Website: www.PineHillEquipment.com
PHONE (508) 636-5971 x212
FAX: (508) 636-9067

INTRACOASTAL MARINE, INC.

WE'RE HIRING

SEEKING QUALIFIED CANDIDATES FOR THE FOLLOWING POSITIONS:

CAPTAIN - 200 TON INLAND OR NEAR COASTAL

P.O. MATE - 200 TON INLAND OR NEAR COASTAL

ENGINEER - UNLICENSED

DECKHAND - ABLE BODY OR ORDINARY SEAMAN

PLEASE APPLY ONLINE ON OUR WEBSITE AT WWW.ICMTUGS.COM
OR SEND YOUR RESUME TO BRITTANY HOLLOMAN AT BRITTANY@ICMTUGS.COM
OR JON CHRISTIANSEN AT JON@ICMTUGS.COM

IF YOU HAVE ANY QUESTIONS, CALL THE MAIN OFFICE AT (757) 494-8847



DON'T LET MOTHER NATURE AFFECT YOUR BOTTOM LINE

Our custom-built fabric structures are designed to withstand the harshest conditions, while ensuring that your business needs are met. Everything from covering large refit projects to storing equipment and cargo is a cinch with a Big Top Fabric Structure.

The high clearance and open design of our shelters make them ideal for the marine industry.

- Boat Fabrication/Refit
- Paint & Blasting
- Warehouse
- Equipment Storage

BIGTOPSHELTERS.COM
1.800.277.8677

Vessel & Living Quarters For Sale



100' x 28'



\$148,000 OBO

Twin Screw (2) 12V71 Detroit
700 H/P, Props - 32 x 24,
Twin Disc, 2:1, MG 514 B
(2) Generators - 100 kw & 75 kw
5-Ton Crane with 33 ft. Boom
Hydraulics for crane & anchor
4 & 6 Man Bunkrooms
Fuel Capacity - 6,000 Gal.
Water Capacity - up to 10,000 Gal.
Shallow Draft - 6 ft.
Large Cargo Deck - 60 ft. x 26 ft.

\$38,500 OBO
Located in Louisiana

(504) 583-5075
Email: LarryArcement@gmail.com

www.ArcementBoatRentals.com

THE MSD



TYPE II MARINE SANITATION DEVICE

**USCG CERTIFIED
IMO CERTIFIED**

PRODUCTS:



4, 12, 16, 24 & 32 PERSON SYSTEMS

Constructed of Lightweight High Density Polyethylene

Noncorrosive, Maintenance Free

A Biological Aerobic Sewage Treatment System

Celebrating Our 20th Year in Business!
Environmental Marine Inc.

Keeping Our Waters Clean

ENVMAR.COM 606-271-2711

Powered By Kubota

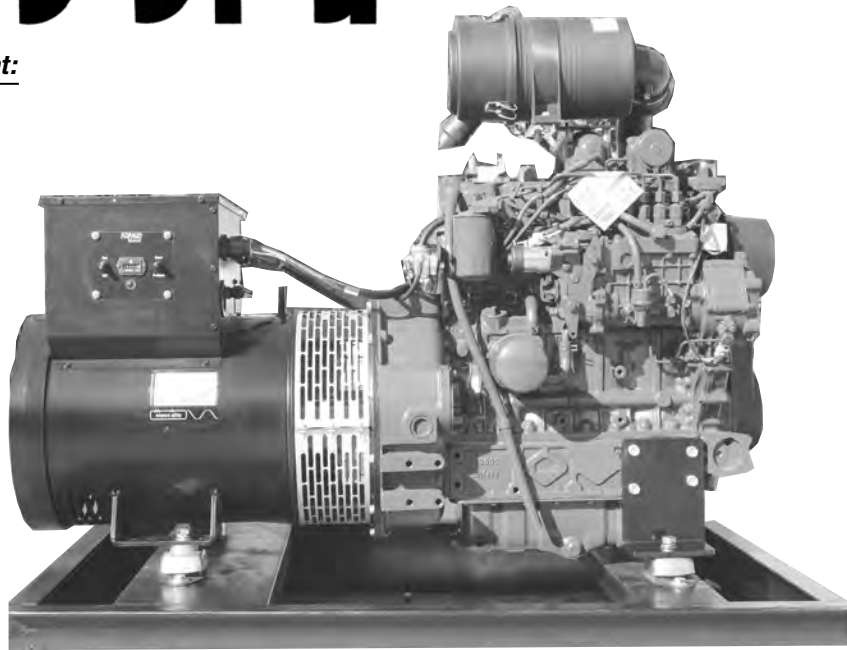


1800 RPM Standard Equipment:

- Kubota Diesel Engine
- 12 Volt Electric Starter
- 12 Volt Battery Charging Alternator
- Automatic Engine Shutdown for Low Oil Pressure / High Coolant Temperature
- Fuel Filter
- Built in Fuel Transfer Pump
- Dry Air Cleaner
- Heavy Duty Steel Frame with Isolation Mounts
- High Ambient Radiator Cooling
- MeccAlte Industrial Generator
- Brushless Exciter
- Unit Mounted Solid State Voltage Regulator
- Ship-loose Muffler with Raincap
- Toggle Switch Start
- Engine Hour Meter
- 3 Year Kubota Engine Warranty
- EPA Tier 4i Compliant

Optional Equipment:

- Sound / Weather Enclosures
- Auto Start / Stop
- ATS
- Fuel Tanks
- Block Heater
- Critical Silencers
- Gauge Panels
- RACOR Filters
- Circuit Breakers



KK4-50.0 kW

KEEL COOLED MODELS

MODEL	PRICE	MODEL	PRICE
DRY EXHAUST MANIFOLD			
KK3-7.0KW	\$ 6,185	KK4-17.5KW	\$ 8,935
KK3-8.5KW	6,640	KK4-21.0KW	10,115
KK3-9.5KW	6,870	KK4-30.0KW	10,920
KK4-12.5KW	7,610	KK4-50.0KW	16,490
		JD4-65.0KW	18,197

WE SHIP GENERATORS WORLDWIDE

RADIATOR COOLED INDUSTRIAL EMERGENCY STATIONARY STANDBY GENERATOR SETS

Model	KW Rating	Net Price
SEP 7.0I	7.0 KW	6,600
SEP 8.5I	8.5 KW	6,960
SEP 9.5I	9.5 KW	7,270
ESS 11.0I	11.0 KW	7,305
SEP 12.5I	12.5 KW	8,070
ESS 15.0I	15.0 KW	8,474
ESS 21.0I	21.0 KW	9,755
ESS 30.0I	30.0 KW	10,983
ESS 40.0I	40.0 KW	12,579
ESS 50.0I	50.0 KW	13,934

Powered By Kubota



Tier 4 Final Kubota Powered Industrial Diesel Generators

20 kW - \$14,480
Kubota D1803BGCR

30 kW - \$15,730
Kubota V2403BGCR

SOUTHEASTERN POWER PRODUCTS

2880 Hammondville Road,
Pompano Beach, FL 33069
Phone: (954) 979-5899
Fax: (954) 979-4349

www.southeasternpower.com

Prices and Specifications
Subject to Change

COOPER CAPITAL
SPECIALTY SALVAGE, LLC
860-395-4745
info@cooperss.com
The complete salvage management company
Building relationships, not transactions
www.cooperss.com
Register to bid and receive information via email

Ask For

PITTS Electric Clutches

SHAFT OR V-BELT DRIVEN
MARINE CLUTCHES



Adaptable, Dependable...
Easy to Install & Maintain

- 75 to 1500 lbs. ft
- 12 or 24 VDC power supply
- Zinc plated - meets ASTM B-117 salt spray test
- SAE pump mount options available


PITTS Authorized Dealer:
Coastal Hydraulics, Inc.
(603) 474-1914 • sales@coastalhyd.com
www.coastalhyd.com
28 Route 286, Seabrook, NH

CIT **★Tug For Sale★**
MV L Marie / Houma LA



600 HP Model Bow • Built 1967, Rebuilt 2007
Main Engines: (2) V8-71 Detroit's • Generators: (2) Kubota 30 KW
Gears: (2) Twin Disc MG-514C • Compressors: (2) Quincy 310
Contact Billy Cenac: (985) 665-0631

28' Oil Skimming Work Boat



Trailer Mounted. Manufactured By Willard Marine in California. Belt Type Skimmer, 900 Gallons Holding Tank, Driven By: Volvo Diesel AD 31P, Drive Is A DPD1 Duo Prop Outdrive. Mounted On A Trailer And Ready To Go. Purchased From U.S. Government. Excellent Condition. Photos Available On Request. Number 896037.

**P.O. Box 596 • 910 Mahar Avenue
Wilmington, CA 90748
Phone (310) 522-9698 • Fax (310) 522-1043
E-mail: sales@watermansupply.com
Website: www.watermansupply.com**

WATERMAN SUPPLY COMPANY
MARINE & INDUSTRIAL EQUIPMENT

NEW & USED EQUIPMENT

<p>(2) 2013 GENIE GS1930</p> <p>19' x 30" Wide Elec. Scissor Lifts (241 & 374 Hrs.)</p> <p>\$6,000⁰⁰</p> 	<p>(2) 2008 JLG 450A</p> <p>45' 4x4 Aerial Lifts with Duetz Diesel & Foam Filled Tires (1012 & 2681 Hrs.)</p> <p>\$24,000⁰⁰</p> 	<p>(3) 2011-2010 WACKER</p>  <p>\$4,500⁰⁰</p> <p># LTN6L Light Towers w/ Kubota Diesel (Low Hrs.)</p>
<p>JLG G12-55A</p> <p>12,000 lb. 4X4 Rough Terrain Extended Reach Fork truck</p> <p>\$62,000⁰⁰</p> 	<p>(2) GENIE GTH-1056</p> <p>10,000 4x4 Rough Terrain Ext. Boom Forklifts with Diesel</p> <p>\$56,000⁰⁰</p> 	
<p>(4) MULTI-QUIP</p> <p>#GA6HRS 6000 Watt Gen Sets w/ Elec. Start & Running Gear</p> <p>\$1,200⁰⁰</p> 	<p>2010 GENIE Z-60/34</p> <p>60' 4x4 Aerial Lift w/ Perkins Diesel & Foam Filled Tires (1229 Hrs.)</p> <p>\$32,000⁰⁰</p> 	
<p>(8) ATLAS COPCO</p> <p>#P6500W 6500 Watt Gas Generators (Unused) Elec. Start & Running Gear</p> <p>\$1,250⁰⁰</p> 	<p>(2) MULTI-QUIP</p> <p># DCA-15SPXU4 15 KVA Generators (6776 & 6858 Hrs.)</p> <p>\$6,500⁰⁰</p> 	

MARINE CONTRACTORS

All-In-One Package Policies Available NOW!

- Tugs & Barges
- Charter Boats
- Marine Contractors
- Marinas
- Workers Comp.
- Equipment
- General Liability
- Fishing Vessels
- Live Aboards
- Diving Contractors
- ROVs
- Jones Act
- USL&H
- Bonds

Ryen Marine Insurance Group, Inc. Insurance Consultants & Agents

221 South Ocean Dr., Ste C, Ft. Pierce, FL 34949
Telephone (772) 242-1045 Fax: (772) 882-9856
info@insuremarine.com www.insuremarine.com

PACIFIC BOAT BROKERS.COM Broker • Marine Consultant • International Sales
Vessels - Commercial - Pleasure
HQ OFFICE: Toll Free 1-877-448-0010
carl@pacificboatbrokers.com • Off.: 360-332-9526 • Cell: 360-393-0502 • MX Cell: 612-197-7410 ~ La Paz, MX

WORK BOATS & MARINE CONSTRUCTION EQUIPMENT ... MORE ON THE WEB!



PINTAIL MARINE - NEW LISTING!!
US Doc. current COI I-M/V Pintail is a capable & well maintained vessel configured for transport of cargo, vehicles, heavy equip., bulk materials, & fuel product to remote locations. She is in full operation under good ownership w/ongoing preventive maint. & upgrades.
\$700,000 USD!!



RIVERS MIST
USA Reg. A commercially built catamaran tour boat. Moulded fiberglass hulls w/fiberglass frames. Twin Yamaha 115 HP 4-stroke outboards. Honda genset.
REDUCED TO \$145,000 USD OFFERS!!



JESSE
USA Reg. Offshore towing vessel Jesse. All steel welded, 3 deck diesel powered tug-boat. CAT 3606 turbo marine diesel 2,320 HP at 1,000 RPM & CAT gensets. Survey Jan. 2017 & all necessary papers up to date. Very economical & TUSD exceptionally well. \$100K USD invested in fresh paint & all systems renewal in 2017.
REDUCED TO \$89,500 USD OFFERS!!



FIFTH ELEMENT
USA Reg. Famous Canadian built Saga 43, a Robert Perry design. Fast cruising boat that's had ongoing upkeep & improvements. This yacht is very well maintained.
REDUCED TO \$189,000 USD OFFERS!!

WATCH THE WEB: www.PACIFICBOATBROKERS.COM FOR NEW LISTINGS!!

MIDSHIP MARINE INC.

MIDSHIP MARINE

OUR QUALITY SAYS IT ALL!
WHEN IT COMES TO BUILDING ALUMINUM BOATS
WE HAVE NO LIMITATIONS

- Passenger Vessels • Crew Boats • Pilot Boats • Patrol Boats • Dive Boats • Water Taxis • Fishing Boats



210' x 32' HIGH SPEED CREWBOAT



65' SAILING CAT - 120 PASS



165' CATAMARAN - 850 PASSENGER



42' CREWBOAT



95' OIL SPILL FRV



70' x 21' PASSENGER FERRY



90' CATAMARANS - 250 PASS



55' PASSENGER HEADBOAT - 49 PASS



55' SEMI SUB - 49 PASS



58' ALUMINUM VESSEL

MIDSHIP MARINE ALSO SPECIALIZES IN CONVERSIONS OF CREW BOATS INTO: DIVE VESSELS, CHARTER YACHTS, PASSENGER FERRIES, ETC. W/LOW PRICING & HIGH QUALITY. LET US DESIGN & QUOTE YOUR NEXT VESSEL.

MIDSHIP MARINE will quote on building any vessel to meet your specific needs. All work is done at our yard in Harvey.

CONTACT MIKE or RANDY - PHONE (504) 341-4359 • FAX (504)-340-8997
Email: Midships@aol.com • Website: www.MidshipMarine.net
MAILING ADDRESS: P.O. BOX 125, HARVEY, LOUISIANA 70059



CALL FOR PRICING

Johnson Stevens
(843) 889-2254 Office
j.stevens@stevens-towing.com

For over 100 years, Stevens Towing has conducted business in marine towing, barge charter, and marine repair. Located 25 miles south of Charleston, SC, (mile marker 490 ICW) the shipyard is equipped with 2 Marine Railways, a 150-ton Marine Travel Lift, as well as 500' of dock space for topside marine repairs.

Equipment For Charter

Deck Barges

Below is just a sample of some of the barges we own and have available. Please call for complete list.

- 120 x 30 x 7 ABS
- 120 x 45 x 7
- 150 x 55 x 8
- 162 x 52 x 10
- 175 x 39 x 9
- 260 x 50 x 10.5
- 250 x 54 x 13 ABS

Equipment For Charter

Komatsu PC-1250 Material Handler / Excavator

- 62' Long Reach Boom
- Equipped with Hypack Software
- 8' Young Bucket Extension
- 4 Tine Young Rock Grapple (Power Rotation)
- 5 Yrd Young Digging Bucket (Power Rotation)



Cranes

We have two 500 ton barge mounted cranes that are strategically placed in Savannah, GA and Charleston, SC. These cranes have the ability to move via the Intercoastal Waterway or Offshore to any job. We also have a barge mtd Clyde 32 which is a rotating 140 ton crane at 45ft.

Savannah Giant

Crane Capacity: 500 Tons
Barge Dimensions: 180' x 80' x 10'

Ocean Ranger

Crane Capacity: 500 Tons
Barge Dimensions: ABS 200' x 72' x 14'

Stevens 1401

Crane Capacity: 140 Tons
Barge Dimensions: 142' x 58' with spuds

US FLAG JONES ACT SHIP "M/V Coastal Venture" For Charter

Length Overall: 247' • Draft: 11'
Speed At Sea Loaded: 12 KTS • GT: 497
Capacities: Hold 1 Cubic Capacity 8,640 FT+, Hold 2 Cubic Capacity 30,800 FT+, Hold 3 Cubic Capacity 45,760 FT+.
Capable of carrying a wide variety of cargo from Break Bulk to Containers as well as Hazardous Goods Class 1-9



Stevens Towing Shipyard

Railways

We Have Two Large Marine Railways With A Weight Capacity Up To 1800 LT And Dimension Up To 300' Long x 80' Wide.

Travel Lift

Weight Capacity: 150 ST • Length Unlimited x 37' Wide

STEVENS TOWING - A RESPECTED NAME IN THE MARITIME INDUSTRY FOR OVER 100 YEARS.



BYRNE Rentals and Sales, LLC.

Marine & Construction Supplies
24 HR Phone (985) 702-9500
Toll Free 1 (800) 99-BYRNE
Trusted Over 40 years



SPECIAL!!! NEW 40 TON DECK WINCHES
\$3,500.00 EACH



YOKOHAMA BOAT FENDERS - All Sizes



NEW AND USED ANCHORS



NEW AND USES ANCHOR CHAIN

BUILT TO ORDER CUSTOMIZED WINCHES AND PEDESTAL CRANES



Balanced Head Fairleads 3/4" to 2"



New & Used Watertight Doors

- | | | | |
|------------------|------------------|----------------|-----------------|
| Snatch Blocks | Swivels | Pulling Blocks | Marine Fittings |
| Yokohama Fenders | Headache Balls | Capstans | Air Tuggers |
| Shackles | Marine Fairleads | Windlasses | Winches |
| Buckets | Tow Plates | Buoys | Anchors |
| Deck Blocks | Generators | Crane Blocks | Ship's Chain |

www.BYRNERENTALS.com

SALES@BYRNERENTALS.com

CONSOLIDATED SHIP REPAIR

With extensive heavy lift capabilities 24/7, USCG and ABS certified welders and a 50k square foot fabrication shop, CSR can handle your ship repair, conversion project or fabrication job.

HIGH QUALITY REFIT, REPAIR, AND CONVERSION SERVICES ON THE SABINE RIVER

- 22-Acre Full-Service Shipyard in Port Arthur, Texas
- Haul In/Haul Out Services
- Steel & Aluminum Structural Work
- Blasting, bottom paint, and hull/superstructure paint
- Engine repairs, rebuilds, and replacements
- Generator repair or replacement
- High-pressure washing
- HVAC repair or replacement
- Interior carpentry, replacement and upgrades
- Prop and shaft work
- Propulsion & Thruster Subject Matter Expert on Site
- Structural repairs or upgrades
- 180 Ton Floating Crane/Derrick Barge
- 300 Ton Ringer Crane
- 660 Ton DEMAG Crane
- Experienced in all aspects of vessel repair

SHIPYARD SPECIFICATIONS

- 50,000 square foot fabrication shop
- 7,000 square foot warehouse/operations center
- 3,000 square foot project management/engineering office space
- 3,200 feet of dock space
- 50-foot channel depth
- Bulkhead depth from 8 feet to 18 feet
- Over one mile of waterfront on the Sabine Ship Channel
- Close proximity to the Gulf of Mexico
- One of the largest industrial marine facilities in Texas
- Owner of one of only four active spool bases in the United States
- Certified crane operators and 24/7 crane service
- USCG & ABS certified welders

MARINE SERVICES

- Ship repair and conversion
- Vessel and barge fleetings
- Heavy crane service
- Dockside services
- Fabrication
- Load-Outs
- System integration testing (SIT)
- Pipeline spooling
- Decommissioning
- Dispatch services
- Storage
- Office space

Extensive Crane Inventory

More heavy lift capabilities than any other shipyard on the Sabine Ship Channel.

Spool Base Reactivation 2020

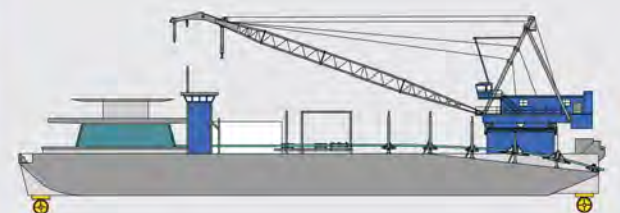
As one of only four spool bases in the United States, CSR is a centrally located facility for pipelaying preparations.

Call our Texas shipyard team at 281.740.1340 for dock availability and to learn how we can support your operations.

CSR
CONSOLIDATED SHIP REPAIR
DROP ANCHOR



► CHICKASAW PROFILE



TheGPSStore.com

Automotive ■ Outdoor ■ Marine Electronics

Toll Free 1-800-477-2611 • Check Out Our Weekly Web Specials

GARMIN

Garmin GPSMAP 1042xsv Chartplotter / Sounder

GPSMAP 1042xsv
#GA0174003 **\$1499⁹⁹**

Garmin's GPSMAP 1042xsv is a top choice in Multi-Function, Combination GPS/Fishfinders. 10" Keypad Controlled Display, Preloaded Coastal and Lake Charts, CHIRP Sonar, CHIRP ClearVu and CHIRP SideVu. Transducer sold separately.



GPSMAP 86sci Marine Handheld GPS

GPSMAP 86sci Marine Handheld
#GA0223602 **\$649⁹⁹**

GPSMAP 86sci Marine Handheld GPS is a water resistant, floating handheld with a 3" sunlight viewable display with detailed g3 coastal maps for the U.S. and inReach (Subscription Required) capabilities for SOS and 2 way satellite text communication!

FURUNO

Furuno FCV295 Digital Fishfinder

Furuno FCV295 Fishfinder
#FU295 **\$2395⁰⁰**

The Furuno FCV 295 Digital Fishfinder puts professional fish finding features into a 10" LCD display with 1kw, 2kw, or 3kw power options.



Furuno GP39 GPS/WAAS Navigator

Furuno GP39 GPS
#FUGP39 **\$395⁰⁰**

The GP39 GPS features a 12 Channel receiver with integrated SBAS (WASS/EGNOS/MSAS) technology including Loran TD, and a 4.2" LCD Color Display. Mark up to 3,000 track points, 10,000 waypoints and 100 routes.



Si-Tex T941 4kw Radar

Si-Tex T941 4kw Color Radar with Dome
#SIT941 **\$2199⁰⁰**

Color 4kw Radar 8.4" Display and a 25" Radome antenna with a 36 nm range. The T-941 features Si-Tex's new Hyper-Digital Processing (HDP) for real-time presentation and target discrimination. A dual speed rotation of either 24 rpm or 48 rpm tracks moving targets or ones that are close in.



ACR GlobalFix V4 EPIRBs

ACR 2830 Cat I
#AC2830 **\$559⁹⁵**

ACR 2831 Cat II
#AC2831 **\$454⁹⁵**

EPIRB with Self-Test, LED Strobe Light and 10 Year User-Replaceable Battery



ACR 2831 Cat II

ACR 2830 Cat I

FLIR M332 Stabilized Thermal Camera

FLIR M332
#FL70527 **\$8495⁰⁰**

The FLIR M332 is a rugged, reliable gyro-stabilized thermal camera. Thermal resolution up to 320x256 and refresh rates up to 30Hz paired with horizontal stabilization and integrated Attitude Heading Reference Sensor make the M332 an innovative choice in thermal imaging.



Standard Horizon GX1850G

Matrix GX1850G Black Case
#STGX1850GB **\$229⁹⁵**

Standard Horizon's GX1850G features 25W output power, Internal GPS and NMEA2000 connectivity. It's second station capable, and offers a bright backlight DOT matrix display. The GX1850G is IPX8 water rated.

STANDARD HORIZON



**PLUS \$30
MAIL-IN REBATE
until 6/30**

Your Best Source for Discount Marine Electronics!



Call for our Latest Catalog!

Or check out TheGPSStore.com to see our complete selection of marine electronics from all the major manufacturers.



TheGPSStore.com
Automotive ■ Outdoor ■ Marine Electronics

The GPS Store, Inc.
6899 Beach Drive
Ocean Isle Beach, NC 28469

Same Day Shipping!
Order by 4 PM Eastern

Friendly Customer Service

1-800-477-2611



READY TO DEAL!!
FITZ 41 CHARTER BOAT



\$75,000
 With Permits

(941) 356-8585

Get It:
SOLD

With An Ad
 In
Boats and Harbors
(931) 484-6100
 Email: gdonnelly@boats-and-harbors.com



INDUSTRIAL DIESEL, INC
 8705 HARMON • FORT WORTH, TX 76177

PHONE: 817-232-1071 • 800-323-3659
FAX: 817-232-0354

VISIT OUR WEBSITE
www.industrialdiesel.net

FOR A COMPLETE LISTING OF
ALL OUR ENGINES & GENERATORS SETS IN STOCK

EMAIL: Sales@industrialdiesel.net
[facebook.com/industrialdieselengines](https://www.facebook.com/industrialdieselengines)

NO C.O.D.'S PLEASE
~ WE ACCEPT VISA AND MASTERCARD ~
SE HABLE ESPAÑOL



P C Industries
www.powerlinecomponents.com

Specializing in Detroit Diesel 2 Cycle Engines

Complete Line of Remanufactured Subassemblies
 Blowers, Con Rods, Cylinder Heads, Injectors,
 Fuel Pumps, Oil Pumps, Water Pumps and More!



Large Inventory of New Parts
 Pistons, Cylinder Liners, Ring Sets, Gasket Sets, Bearings

KTI
 KOCSIS TECHNOLOGIES, INC.
 North West Distributor
 Kocsis Hydraulic Starting Systems

New Water Cooled Exhaust Manifolds & Accessories
 for Caterpillar, Cummins & Detroit Diesel Engines



P C Industries, LLC
 1088 N. Washington, P.O. Box 490
 Afton, Wyoming 83110 USA
 Phone # (307) 885-4724
 Fax # (307) 885-3215
 Toll Free # (877) 885-4724

Remanufactured & Dynamometer
 Tested Detroit Diesel Engines

**YOUR OFF-HIGHWAY
 DIESEL ENGINE EXPERTS
 FOR OVER 30 YEARS!**

CATERPILLAR • CUMMINS
MTU/DETROIT DIESEL • PERKINS MASTER DEALER

1983 50' x 15' x 6.5'
STEEL COMMERCIAL TRAWLER



Reportedly an Edwin Monk design. 34GT; 27NT. 2,000 gal. fuel cap. Berthing for 4. Partial sinking. Located in Long Beach, CA. Accepting reasonable offers.
 Contact Joe Mirkovich: (562) 436-9911 or jmirkovich@rumlaw.com to arrange inspection



Great Buys
 2 - 29' LAFCO

All Aluminum
 0 Time On Each Engine
 Great For Dive, Utility, Taxi
 \$65,000.00 For 2 Boats
 Charles: 214.621.0001

Display & Record Live Video
 in 1080p Full HD Quality

Fishers **NEW** VRM-2HD
 Video Recorder & Monitor

New for 2020






- 1080p HD video
- Still picture capability
- Easy to use keypad and menus
- 32 GB external storage
- Operates video system cameras and lights
- GPS and keyboard included
- Starting at \$3,695

JW FISHERS

JW Fishers Mfg., Inc
 (800)822-4744
 (508)822-7330
 Email: info@jwfishers.com
www.jwfishers.com





SECTIONAL BARGES & TUGS FOR LEASE



SUNFLOWER ENTERPRISES

5 Jones Street, Dubuque, IA 52001
 Office: (563) 583-0556 • Fax: (563) 556-2293
sunflower-enterprises.com

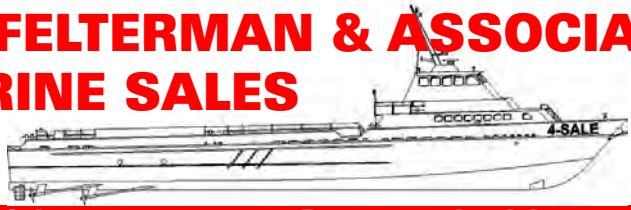




BARGE DIMENSIONS:

30' x 10' x 3'	14,000 Lbs: Truck Three Per Load
40' x 8' x 4'	20,000 Lbs: Truck Two Per Load
41' x 10' x 5'	27,000 Lbs: Truck One Per Load
41' x 10' x 7'	35,000 Lbs: Truck One Per Load

330-660 HP

LEE FELTERMAN & ASSOCIATES MARINE SALES



www.leefelterman.com Patterson, Louisiana 70392 USA
office@leefelterman.com Office: (985) 399-7222

MARINE EQUIPMENT FOR SALE
BROKER - BUY - SELL - DOCK SPACE
CUSTODIAL SERVICE
EXPERT SERVICES • MARINE SURVEYING



OFFSHORE SUPPLY BOATS



CREWBOATS



PUSHBOATS & TUGBOATS



LIFT BOATS



UTILITY BOATS



YACHTS & HOUSEBOATS



DIVE BOATS



BARGES

FISHING BOATS, PROPS, SHAFTS, AND MUCH MORE..
For Specs And Prices See Our Website:
www.leefelterman.com
"Over 35 Years in the Marine Industry"



McDermott Light & Signal

Our LED Floodlights provide durability with a low amperage draw that maintains the lifespan of your alternator. Avoid damaging your charging system by replacing your high power consumption halogen with our green, low-energy consumption LED lights.



30 Watt



120 Watt



50 Watt



100 Watt



140 Watt

*Most models available in Spot or Flood type



BARGE LIGHTS



TUGBOAT NAVIGATION LIGHTS



DREDGE LIGHTS



BUOYS



SOLAR ANCHOR LIGHTS



McDermott Light & Signal

718.456.3606 | www.mcdermottlight.com
fishing@mcdermottlight.com



MARINE AND INDUSTRIAL GENERATORS

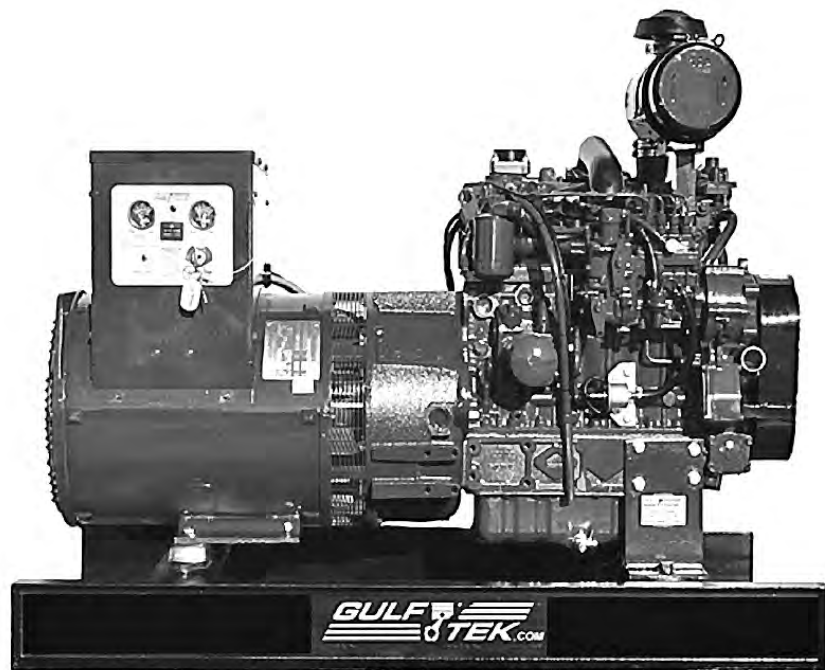
Kubota

AUTHORIZED DISTRIBUTOR
ENGINES | GENERATORS | PARTS

(800) 925-4966

Keel Cooled Models

MODEL	KW	PRICE
KG8KWKC-ECS	8	\$6,216.00
KG10KWKC-ECS	10	\$6,437.00
KG12KWKC-ECS	12	\$7,140.00
KG15KWKC-ECS	15	\$8,201.00
KG20KWKC-ECS	20	\$9,529.00
KG25KWKC-ECS	25	\$9,823.00
KG30KWKC-ECS	30	\$10,301.00



2306 Engineers Road, Belle Chasse, LA 70037 | Office: (504) 393-1701 | Fax: (504) 393-1627 | Toll Free: (800) 925-4966

MASTER MECHANIC MARINE

A Certified Power Business

www.mastermechanicmarine.com

For ALL of your Hydraulic Systems & Components Needs

Thousands of Items in Stock

Se habla español!

TO ORDER CALL: 800-877-8350 ISSUE # BHQ119
OR EMAIL: mmmsales@certifiedpower.com

MASTER DESIGNED GAS & DIESEL POWER UNITS

ALL UNITS IN-STOCK! SHIPS WITHIN 24-48 HOURS!

Power units include: roll cage, engine, pump adapter, love-joy couplings, pump, relief valve, reservoir, return filter, pressure gauge, hose, fittings and battery cage. Optional oil cooler and directional control valves mounted to structure are available upon request. **Power units come assembled and ready to work upon arrival.**

Custom Power Units are also Available!

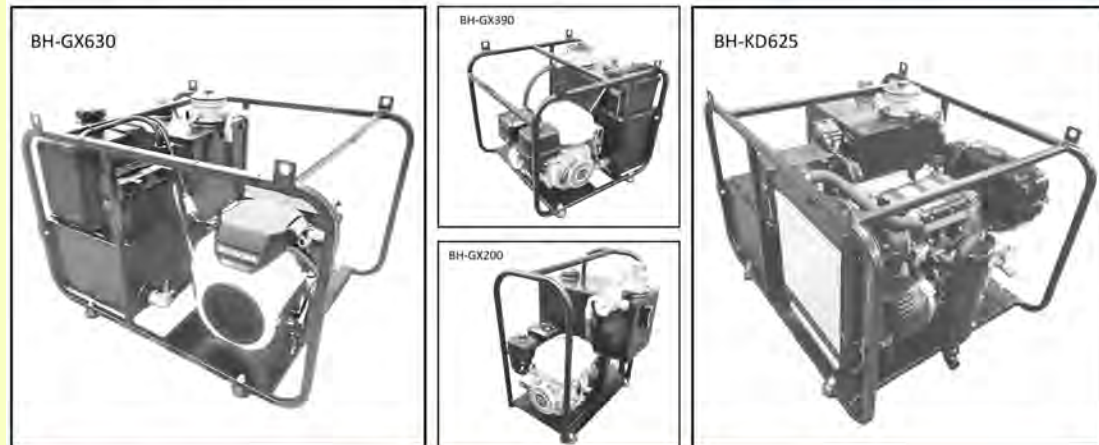
GAS MODELS

ITEM #	HP	GPM
BH-GX200	5.5HP	11 GPM @ 750 PSI, 4 GPM @ 2,500 PSI
BH-GX390	13 HP	8.5 GPM @ 2,000 PSI
BH-GX630	20 HP	15 GPM @ 2,000 PSI

DIESEL MODELS

ITEM #	HP	GPM
BH-KD625	20 HP	10 GPM @ 3,000 PSI

• IF A HIGHER HP IS REQUIRED PLEASE CALL FOR PRICING!
 • STAND ALONE POWER UNITS ARE AVAILABLE!



MARINE CLUTCH PUMP KITS

Drive off truck or equipment engines. Drive-shaft or belt driven options. **Clutch pump kits come with: Bi-Rotational Pump, Clutch, Switch and Mounting Bracket.**

ITEM #	MAX PRESSURE	GPM@1200	GPM@2000	GPM@2400	PRICE
BH119	3,000	9.6	16	25.5	\$501.93
BH119X	3,000	12.8	21.5	30.5	\$501.93
BH119XX	2,500	17	26	35.8	\$689.13
BH119XXX	2,500	20.5	34.1	41	\$831.06



STAINLESS STEEL BOOM WINCHES, PLANETARY WINCHES & ANCHOR HOISTS

Planetary winches can hold up to 300 ft. of 1/2" cable. Boom winches hold up to 230 ft. 5/16" cable.

ITEM #	MAX CONT. FLOW	LINE PULL	MAX LINE SPEED	PRICE
BHPSVH-10000	15.9 GPM	10,000 LBS	46 FPM	\$1,200.00
BHPSVH-15000	15.9 GPM	15,000 LBS	30 FPM	\$1,575.00
BHPSVH-18000	15.9 GPM	18,000 LBS	23 FPM	\$1,826.00



ITEM #	DESC.	RPM @ RATED FLOW	LINE PULL	PRICE
BH1008	ANCHOR HOIST	300 RPM @ 12 GPM	900 LBS	\$795.00

HYDRAULIC VALVES

Perfect for operating winches, cylinders, reels, pot haulers and more.

Gresen SPW4 Rotary Spool



SS Rotary Spool Valve



SS Rotary Spool Valve



Hydraulic Control Valve



Hydraulic Control Valve (Spring to Neutral)



Hydraulic Control Valve (Power Beyond)



2-Spool Hydraulic Control Valve (Power Beyond)



3-Spool Hydraulic Control Valve (Power Beyond)



Flow Control Valve



Gresen Selector Valve



Cushion Valve

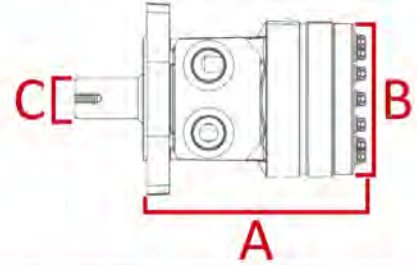


LOW SPEED, HIGH TORQUE HYDRAULIC MOTORS

Master Mechanic Marine provides you with today's leading manufactured hydraulic motors. **NO TAG? NO PROBLEM!**

Our hydraulic specialists can get you a replacement motor with little dimensional data from your motor. (Imports are available).

PRICES STARTING AT\$239.00



VANE PUMPS

GRESEN TC24, TB12, V10, V20, 25VQ & VTM42

- 500 PSI - 3000 PSI
- 3 GPM - 55 GPM
- Up to 3,000 RPM
- Straight Key Shafts
- Splined Shafts

ITEM #	PRICE
V10	\$233.23
V20	\$250.79
VTM42	\$325.99
TB12	\$429.78
TC24	\$514.75



POT HAULERS - 8", 10", 12", 14", 17"

- Completely Stainless Steel Options
- Top-Performing Hydraulic Motors
- Higher Speed or Higher Torque Options
- Line Speeds from 275-350 ft/min.
- Line Pulls from 310-1750 lbs.



PRICES STARTING AT.....\$599.00

MASTER DESIGNED HYDRAULIC WINCHES

- Drum is 11in. w/ a 4in. center
- Capacity of 330ft. of 3/8in cable or 250 ft. of 1/2in. cable
- May also be designed for 3,000lb or 6,000lb line pull



LAYERS OF WIRE ROPE	PULL	SPEED (@ 15 GPM)	PSI
1	9,000 LBS	12.6 FPM	2,000
2	7,500 LBS	15.1 FPM	2,000
3	6,400 LBS	17.5 FPM	2,000
4	5,600 LB	20.0 FPM	2,000

PRICES STARTING AT\$1,275.00

Hydraulic Cylinder Special

Types of Cylinders: Tie-Rod and Welded • ALL sizes available!
 Application Examples: Steering, A-Frames, Log Splitters



BORE	STROKE	PRICE
2	8	\$72
2	10	\$80
2	12	\$92
2.5	8	\$79
2.5	10	\$89
2.5	12	\$103

BORE	STROKE	PRICE
3	8	\$100
3	10	\$115
3	12	\$120
4	8	\$130
4	10	\$143
4	12	\$158
5	8	\$220
5	10	\$245

NEED AFFORDABLE STORAGE SPACE?

20ft and 40ft Shipping Containers New & Used

**NO MORE RENT • SUPERIOR SECURITY
ON-SITE STORAGE • FAST PROMPT DELIVERY**

Supply Locations:

East
Atlanta
Baltimore
Charleston
Jacksonville
Miami
Newark
Norfolk
Philadelphia
Savannah
Tampa

Midwest
Chicago
Cincinnati
Cleveland
Detroit
Dallas
Houston
Memphis
Mobil

West
Denver
Long Beach
Oakland
Portland
Seattle



1.866.MYCONEX

Email: conexquote@gmail.com



FLOATING DOCKS, GANGWAYS, SEAWALLS RAVENS MARINE, INC.

3295 ORANGE AVENUE
KISSIMMEE, FL 34744
PH: 407-935-9799
TOLL FREE: 800-676-3023
FAX: 407-935-9436
www.ravensmarine.com
ravens@ravensmarine.com



AT RAVENS MARINE, QUALITY IS #1



FROM THE BACKYARD
DOCK TO THE FULL
SCALE MARINA, WE
MANUFACTURE THE
COMPLETE
"PICTURE"



Boat / Business For Sale



Turn Key! Small Island Supply Ship Servicing The Exuma Islands Of The Bahamas From South Florida. 63' T-Boat w/Current COI, 2200 Cu. Ft. Dry Cargo Hold. 3,000 Lb. Capacity Crane On Deck, Watermaker, (2) Gensets, 400 Hp Cummins 855 Main Engine. Work Skiff and Warehouse Equip. Included.

\$325K • (910) 599-8707
captanmarc@aol.com

BOATS & HARBORS IS "THE" MARKET PLACE FOR THE MARINE INDUSTRY

STEEL PIPE

NEW & USED STEEL PIPE

FOR: Piling, Spuds, Dredging, Ballards, Floats, Casing, Etc.

CURRENT SPECIALS

- 30,000' 8-5/8" O.D. x .188"/.500" wall pipe
- 15,000' 10-3/4" O.D. x .250"/.500" wall pipe
- 20,000' 11-3/4" O.D. x .534" wall pipe
- 40,000' 12-3/4" O.D. x .250"/.750" wall pipe
- 10,000' 16" O.D. x .250"/.500" wall pipe
- 15,000' 24" O.D. x .312"/.750" wall pipe
- 30,000' 36" O.D. x .375"/.750" wall pipe

Plus many more sizes!

Call Anytime on 2"-46" Dia pipe

DELIVERY ANYWHERE IN:

US/CANADA/MEXICO/CARIBBEAN

CRESTWOOD TUBULARS, INC

Phone: (314) 842-8604

Fax: (314) 842-9064

Toll Free (US) 800-238-7473

Email: info@crestwoodtubulars.com

www.crestwoodtubulars.com

VESSELS AVAILABLE FOR CHARTER

Seastreak 141



Seastreak
New York
New Jersey
Nantucket Express
Highlands

HIGH SPEED PASSENGER FERRY - Built By: Gladding-Hearn Shipbuilding, Somerset, MA; Length: 140.7'; Breadth: 34.22'; Draft: 6.43'; Capacity: 505 passengers & crew; Decks: Three (2) interior and (1) exterior w/Lexan wind deflectors; (3) restrooms; Full Bar (spirits, soft drinks, snacks & continental breakfast); Service Speed: 38 knots; Maximum Speed: 42 knots.

PROPULSION:

Seastreak New York: 2x MTU 16V4000 driving Rolls Royce water jets

Seastreak New Jersey: 2x MTU 16V4000 driving Rolls Royce water jets

Seastreak Nantucket Express: 2x MTU 16V4000 driving (2) Servogear CPP Propellers

Seastreak Highlands: (4) Cummins KTA50M2 driving (4) Kamewa A50 water jets

ENTERED SERVICE:

Seastreak New York - May 4, 2001 (Re-powered 2017)

Seastreak New Jersey - December 11, 2001 (Re-powered 2018)

Seastreak Nantucket Express - September 2003 (Re-powered 2012)

Seastreak Highlands - March 2004

Seastreak 95



Martha's Vineyard Express
Whaling City Express

HIGH SPEED PASSENGER FERRY

Built By: Derecktor Shipbuilders; Length: 95'; Breadth: 28'; Draft: 5.5'; Capacity: 149 passengers; Decks: Two (1) interior, (1) half-interior/half-exterior; Amenities: 10 six-seat tables on main deck; (4) 4-seat tables upper deck; (2) restrooms; Full Bar (spirits, soft drinks, snacks); Service Speed: 28 knots; Maximum Speed: 30 knots; Main Propulsion: (2) MTU 16V2000, 1410 BHP each, Driving (2) fixed pitch propellers. **ENTERED SERVICE:** Seastreak Whaling City Express - 2004, Seastreak Martha's Vineyard Express - 2005.

AVAILABLE SPRING & SUMMER 2019



USCG INSPECTED CAR / PASSENGER FERRY

Available for Sale; Long-Term Lease or Charter; Currently in Operation; All Certificates and Inspections are Up To Date. Dimensions (L x B x D): 152' x 39' x 10'5"

Contact Seastreak: Jack Bevins (908) 216-8643

jack.bevins@seastreak.com

www.seastreak.com | Seastreak Ferry

MARINE PILOT HOUSE CHAIRS

Adjustable
Swivel Seat
Aluminum
Inland and
Offshore
Bases

\$825.00

F.O.B.

Port Arthur, TX



Texas Wheel Works, Inc

PO Box 1276 • Port Arthur, TX 77641-1276

PHONE: (800) 238-9402

FAX: (409) 984-5690

Exclusively offered by Marcon International
Oceanographic Research Vessel - "Mt Mitchell"
For sale by Bid tender on or before May 7th 2020.

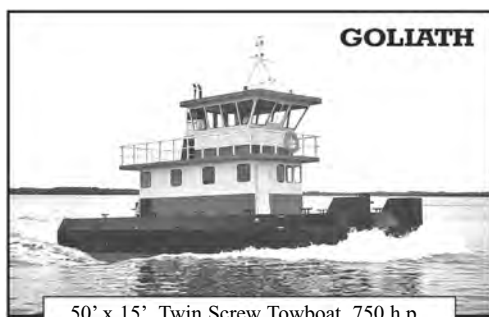


231' x 42' x 20'. Built 1967. Rebuilt: 2002. U.S. flag. ABS + A1 AMS, ACC, USCG Sub "U", "I" -in layup status; COI, SOLAS. Dwt: 1,800T. FO: 105,000g. FW: 16,000g. 15T & 5T cranes. 10T A-frame. M/Es: 2 x EMD total 2,400HP o'hauled 2002. Speed 12.5-14kn. Range 10,925nm / 45 days. Bow thruster. Gensets: 2- 300kW; 1-75kW. Quarters for 48 in 7 single & 20 double cabins + berths for up to 11 crew. AirCon. Hospital, lounges, wet lab, conference & data process rooms. Mess seats 34. Full Com / NavAids. Complete refit to new standards '03. The sellers are inviting best offers with no minimums however the sellers reserve the right to decline any written or verbal offers. For full details contact Marcon Inspection / Delivery: Seattle

Marcon International, Inc.

Tel: 360-678-8880 info@marcon.com

www.marcon.com



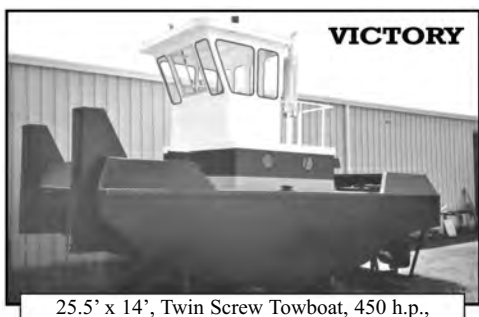
GOLIATH

50' x 15', Twin Screw Towboat, 750 h.p.,
5:1 Gears, 46" Props, 20 K.W. Gen.



TRIUMPH

25.5' x 14', Twin Screw Towboat, 450 h.p.,
with Deckhouse, 3.5' Draft.



VICTORY

25.5' x 14', Twin Screw Towboat, 450 h.p.,
3.5' Draft.

AMERICA'S PREMIER TRUCKABLE BOAT BUILDER

IS OFFERING SUPERIOR BOATS AT PRICES LOWER THAN YOU'VE SEEN IN YEARS



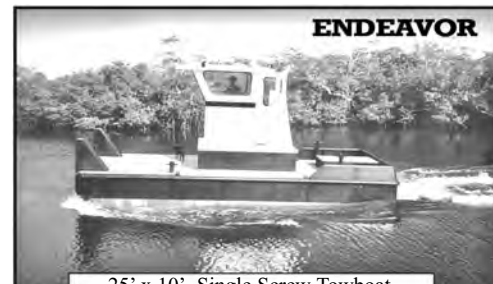
FULLY EQUIPPED

**THIS BOAT AND OTHER MODELS ARE
IN STOCK FOR DELIVERY TODAY!**



CONQUEST

25.5' x 12', Single Screw Towboat,
225 h.p., Flanking Rudders.



ENDEAVOR

25' x 10', Single Screw Towboat,
225 h.p., Flanking Rudders.

**Just Turn the Key.
Everything is Included.**

- Towing Bitt and Four Cleats
- Running Lights
- Lockable Pilot House and Engine Room
- Non-skid Deck
- Engine Room and Pilot House Lights
- Opening Front Window in Pilot House
- Coolant Tanks with Level Indicators
- Large-Capacity Fuel Tank
- Full Instrumentation
- 1200 G.P.M Bilge Pump



**BORN
TOUGH.**



PROGRESSIVE INDUSTRIAL, INC.
PALMETTO, FL

(941) 723-0201

PUSHBOATS-BARGES.COM

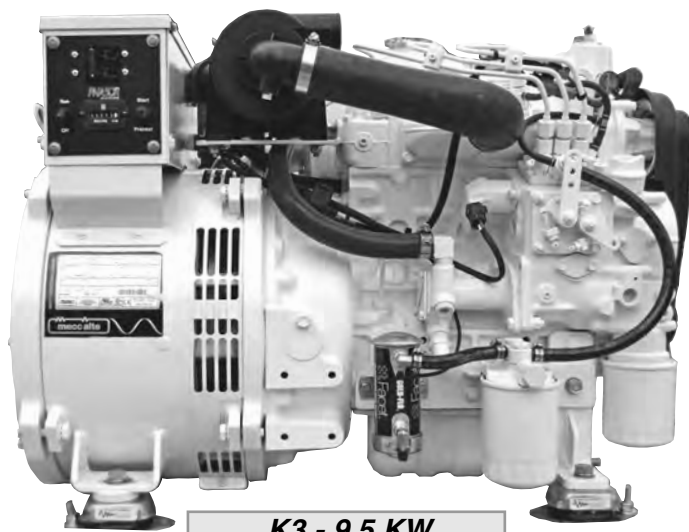
Sectional Barges
8' x 20' to 15' x 60' per section pin together
to form as large a platform as needed.

**Fast Delivery!
Call Now for a Quote!**

PHASOR MARINE

Powered By Kubota

Phasor Marine, has begun delivering EPA Tier IV compliant marine generators. These machines are not utilizing EPA flex credit engines as are other marine generator manufacturers, which is illegal. The Kubota diesel engines utilized by **Phasor** are either Tier IV Final or EPA Tier IV Marine Certified up to and including the K4-30.0 kw model. All standard machines continue to utilize the Kubota or John Deere diesel engines coupled to the electrical ends. These engines approved for use with Bio-Diesel B5. New for the 2014 model year are two Ignition Protection Certified models rated at 4.5 kw and 7.0 kw operating at 1800 rpm. These machines are certified for use in gasoline powered boats. All **Phasor's** continue to offer a 5 year limited warranty.



K3 - 9.5 KW

Kubota
**WE SHIP GENERATORS
WORLDWIDE**

Standard Equipment: 1800 RPM Sets

- Kubota or John Deere Diesel Engine
- Single Bearing Generator
With Epoxy Coated Stator Windings
- 1% Solid-State Voltage Regulation
- Low 1,800 RPM Operating Speed
- Four Point Isolation Mounts
- Automatic Low Oil Pressure and High Water Temperature Safety Shutdown Systems
- Fresh Water Heat Exchanger Cooling
- Water Cooled Manifold and
Stainless Steel Exhaust Elbow
- Direct Driven raw Water Pump
- Spin On Fuel Filter
- Electric Fuel Transfer Pump
- Toggle Switch Start with Preheat, Start, Run, & Stop Positions
- Awl-Craft 2000 Urethane Finish
- Oil Drain Valve
- Zinc Anode in Heat Exchanger
- Air Intake Silencer
- Spin On Oil Filter
- 5 Year Limited Warranty

BOATS & HARBORS SPECIALS

MODEL	PRICE	MODEL	PRICE
K2 - 4.5 IPC	\$ 7,890.00	K4 - 12.5 KW	\$12,420.00
K3 - 7.0 IPC	9,460.00	K3 - 15.0 KWC	14,060.00
K3 - 6.5 KWC	8,860.00	K4 - 17.5 KW	14,250.00
K3 - 7.0 KW	9,075.00	K4 - 21.0 KW	15,420.00
K3 - 8.0 KWC	9,620.00	K4 - 30.0 KW	21,170.00
K3 - 8.5 KW	9,445.00	J4 - 65.0 KW	34,193.00
K3 - 9.5 KW	10,485.00	J4 - 80.0 KW	42,495.00
K3 - 11.0 KW	11,730.00	J4 - 99.0 KW	42,720.00

**SOUTHEASTERN
POWER PRODUCTS**

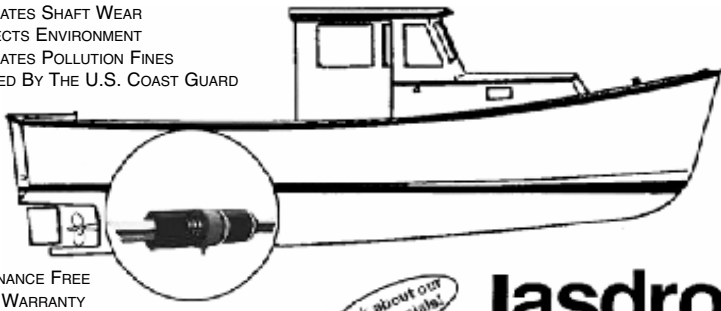
2880 Hammondville Road,
Pompano Beach, FL 33069
Phone: (954) 979-5899
Fax: (954) 979-4349

www.phasormarine.com

Prices and Specifications
Subject to Change

- RATED "BEST" BY POWERBOAT REPORTS
- REPLACES STUFFING BOX
- DRIPLESS
- ELIMINATES SHAFT WEAR
- PROTECTS ENVIRONMENT
- ELIMINATES POLLUTION FINES
- UTILIZED BY THE U.S. COAST GUARD

The most advanced.
The most reliable.



- MAINTENANCE FREE
- 3 YEAR WARRANTY
- SINCE 1975
- METRIC AND CUSTOM SIZES AVAILABLE
- FROM 3/4" TO 8" SHAFT SIZES
- MADE IN USA
- 3 MODELS TO CHOOSE FROM
- COMPLETE LINE OF RUDDER SEALS
- **PRICES STARTING AT \$95**

Ask about our
telltale specialist!

Lasdrop
SHAFT-SEAL

nautical 11x 1-800-940-SEAL

3615 Dove St., Port Huron, Michigan 48060 USA
Phone: 810.388-9718 • Fax: 810.388-9753
Visit Us Online At: lasdrop.com

BUYING OR SELLING?

New & pre-owned vessels, Pinnacle Marine Corporation can help.



San Juan Clipper 245 Pass. High Speed Cat



Bay Rocket 123 Passenger THRILL Ride



Black-Eyed Susan 149 Pass. Sternwheeler



Majestic Princess 131 Passenger Yacht

PINNACLE
MARINE CORPORATION

We are the only brokerage service specializing in the passenger vessel industry. We also provide assistance locating financing, vessel transportation, securing insurance, marketing and business consulting, and auction services.

608-788-3210 • email: info@pinnaclemarine.com • www.pinnaclemarine.com

WINDWARD

POWER SYSTEMS

You know the
benefit of Stainless...
Now at a price you can afford.

- Full line of 316 Stainless adapters- including crimp fittings
- Full service Aeroquip Distributor
- Hose Fabrication up to 2" (-32) 6 wire hose

Learn more at windwardpower.com

or contact us at 866-977-2797 or email b.aubin@windwardpower.com

JEMISON MARINE SHIPYARD

New Constructions,
Repairs And Conversions

(NEW) BOATS FOR SALE

251-824-7878 • 251-824-4575 (Fax)

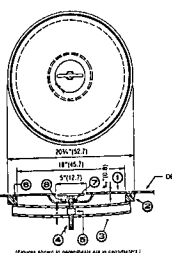
9315 Little River Rd • PO Box 645

Bayou La Batre, Alabama 36509

Contact: **Tim Jemison**

website: www.jemisonmarine.com

NEW FLUSH HATCHES



PIECE NUMBER	NAME	MATERIAL
1	COVER ASSEMBLY	MILD STEEL
2	DECK RING	MILD STEEL
3	STRONG BACK	MILD STEEL
4	TEE HANDLE	STAINLESS STEEL
5	NUT	BRASS
6	GASKET	NEOPRENE
7	WASHER	BRASS
8	WASHER	NEOPRENE

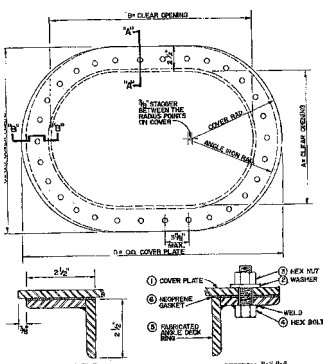
PRICE ON REQUEST

NEW 18" & 24" HATCH COVERS



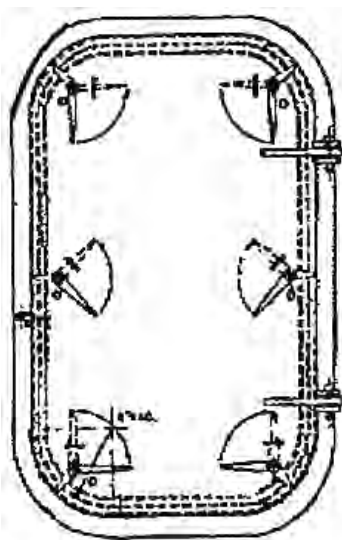
Flush mounting watertight hatch with machined steel mounting ring. T-handle is recessed and hand tightens against a strongback across mounting ring: 18" 90lbs. - 24" 120lbs.

FACTORY NEW - SIZE 15x23 RAISED BOLTED PLATE MAN HOLE OR TANK TOP COVER



1/2" Thick-Cover 3/8" Thick Coaming 2-1/2" High Overall dims. of cover 20" x 28-3/4" Overlap for lifting No handles necessary

6-Dog Watertight ABS Steel Doors



1/4" Panel
5/16" Frame
Righthand & Lefthand
Clear Opening Sizes:

26 x 60

30 x 60

30 x 66

30 x 72

Available in either
Manual or Quick-Acting
Operation
(4-Dog doors also
available)
Other sizes available
by special order.



NEW 15" x 23" TANK TOP COVERS

3/8" COVER & 3/4" DECK RING

Complete with Neoprene Gasket w/Brass Washers & S.S. Nuts 20 Bolts - Wt. 95 lbs.



24"- 36"- 48" KEVEL CHOCKS



NEW 7" RADIUS PANAMA CHOCKS

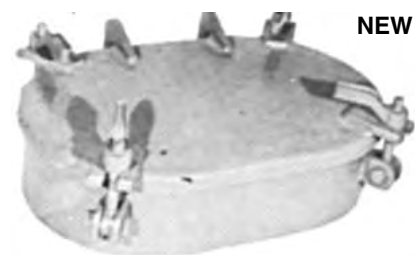
(Meet Panama regulations)

14" x 10" CLEAR OPENING

With extended legs for welding to deck.

14" Wide on base - 28" Length - 27-1/4" High

In Stock Immediate • Delivery



4-DOG GENERAL PURPOSE 15" x 23" x 5" HATCH

ALSO AVAILABLE

Open and Closed
Chocks
Single and Double
Bits
All types of
Marine Equipment

POLI MARITIME

(formerly of Maritime Power Corporation) 96 West Third Street, Bayonne, New Jersey 07002

PHONE: (201) 858-2675 • Email: claire@polimaritime.com

57 NORTHERN MARINE EXPEDITION 2004



5,300 Hrs. John Deere • 3,000 Gallon
(2) Owner Ship • All Hydraulic • Refit 2016
(2) Suite Model • **\$899,900**

For Pictures & Specs - P: (617) 331-4575
E: nm55raven@gmail.com
<https://www.youtube.com/watch?v=lc9hp1bPfUg>

83' TRAWLER



Running Project Boat, Many Upgrades, Deutz Slow Turning Diesel, 240 HP, Onan 15 kW Genset, Inverter, Good Electronics, Furuno Radar, Auto Pilot, Sounder.
Asking \$150K OBO • Lying San Diego (619) 890-7092 • Text Only Please

55' x 14' x 5' STEEL BARGE



32' Spuds • 2,000 Lb. Hammer & Leads
6 Ton Quick Way Crane w/(3) Live Leads
\$50K OBO • (843) 559-5649

40' NAVY LAUNCH
Never Used Ever!!



(79 Original Hours), 1989, 671 Super-charged Detroit Diesel, Perfect for Water Taxi or Pirate Ship. USCG Inspectable Up To 49 Passengers.
Absolutely The Best Boat Deal In This Issue!
As Is Where Is!
Runs Like New • Located NJ
Priced to Sell Fast \$27K Firm!
Contact: (732) 456-3428


1980 BREAUX 36' ALUMINUM
Repowered Feb. 2020 • Clean • Fast



Twin Cummins 450C, ZF gears, 0 hours, 20' x 14' clear deck, dive platform, head, VHF, GPS, auto pilot, new running gear, paint & zincs.

Turn Key • Ready To Go
Location: Cayman Islands • US \$118,000
Contact Randy:
1 (345) 916-8589 • (305) 914-4455
E: scruises@candw.ky

65' MULTI-USE
18 PASS. COI WORKBOAT



Freight, passengers, anchor handling, & tug. It can do it all. Low hours on John Deere 6125 Tier 2 engines, 400 HP ea. (2) 30KW Aux, 20,000 Lb. Winch w/A frame. Fresh dry-docking & COI Jan 2020.
Surplus To Our Needs & Reduced From \$435,000 To \$295,000 For Quick Sale
Located Long Beach, CA
& Can Economically Deliver On Own Bottom Or By Freighter Most Anywhere
(619) 840-2487 • grant@pacifictugboat.com

90' x 22' CUSTOM ALUMINUM
PASSENGER VESSEL - HEAD BOAT



100 Mile COI, (3) 1271 TI's, (1) just went through major overhaul, top-bottom, 0 hours, Other 2 low hours since overhauled. (1) 30KW gen. (1) 20KW gen. Vessel very well maintained. 50 GPH at 16 knots. Just completed dry dock, next is 3/22.
Turn Key Condition • Ready To Go!
Price: \$650,000.00
Call Capt. Larry: (910) 367-6417

Buy • Sell
Trade • Rent
Lease In
Boats & Harbors
Today!!
931.484.6100


PASSENGER BOAT FOR SALE



1991 Oldport 25 Passenger • \$23,500
Type: Commercial • Model: 25
Length: 25' 10" • Beam: 9' 10" Draft: 36"
No Trailer • Location: Baltimore
Engine: 1991 Yanmar 4JH3E 56 HP Diesel
Great boat to add to your water taxi service or to use as a small tour boat. USCG rated for 11 pax. The boat was a workhorse for a water taxi service in Baltimore's Inner Harbor for decades. **Great boat at a great price!**


P: (410) 563-3900 x0
E: info@baltimorewatertaxi.com

31' STAPLETON PILOT HOUSE
COMMERCIAL FISHING BOAT




CAT 3208, (2) Garmin GPS, Garmin Auto Pilot, New EZ Windlass, (2) Steering Stations, Air Conditioning, North Star Generator, New Lexan Windows, Window Covers, (2) Props, 8-Man Life Raft & Jackets, EPIRB Transponder, New Wiring, (2) 100 Gallon Fuel Tanks, TV, Runs Great.
Ready To Fish • \$25,000
Contact: (904) 838-7995

USED MARINA FORKLIFT FOR SALE



2004 Wiggins W150M2-30/12 Marina Bull
Capacity 15,000 Lbs • 18' Forks
30' Pos - 12' Neg • Mast 104" WB
Located In MA
More Info at www.walterco.com
Call: 781.347.1201 or sales@walterco.com

1979 Marine Travelift 30 AMO



ICW: 17' • ICH: 18' • 60,000 Lb. Capacity
Rear Powered Block Adjustment
Equipped w/Load Gauges
(4) Lifting Spreader Bars Included
(Not Pictured)
Call Gary Work: (305) 882-7000
gwork@wejohnson-fl.com • www.wej-fl.com

BOATS & HARBORS

Phone: (931) 484-6100 • (931) 484-8708 • Email: tlewis@boats-and-harbors.com

CLASSIFIED ADVERTISING RATES

88 cents per word, minimum 20 words for \$17.60 (charge covers two consecutive issues), \$1.32 per word, minimum 20 words for \$26.40 (covers three consecutive issues), \$1.76 per word, minimum 20 words for \$35.20 (covers four consecutive issues). Each additional consecutive issue .44 cents per word. For "Blind" ads (B&H Box No. replies) add \$4.00 for 2 issues or \$6.00 for 3 issues. Include in count words in name, address, (phone numbers count as 2 words), & count each initial or number as a separate word unless considered good style to group, as P.O., H.P., 16-278A, etc. but if more than seven characters count as two words. Email & Web addresses count as 3 words. **BOLD TYPE** - \$1.20 per word 20 word minimum for \$24.00 (charge covers two consecutive issues), \$1.80 per word 20 word minimum for \$36.00 (covers three consecutive issues), \$2.40 per word 20 word minimum for \$48.00 (covers four consecutive issues), etc. **RED BOLD TYPE** - \$1.20 per word + \$10.00 Color Charge, 20 word minimum for \$34.00 (charge covers two consecutive issues), \$1.80 per word + \$15.00 Color Charge, 20 word minimum for \$51.00 (covers three consecutive issues), \$2.40 per word + \$20.00 Color Charge, 20 word minimum for \$68.00 (covers four consecutive issues), etc.

Classified advertising, set in 8 - point, easy to read type.

CLASSIFIED TERMS

Cash with order, except to municipal, county, state or federal institutions, 5 percent discount on individual orders amounting to \$160.00 or more. No agency commission.

CLOSING DATES FOR CLASSIFIED

8th, 18th, 28th, 10:00AM C.S.T. • Publication Approximately One Day Later.

(Unless otherwise published)

"The Market Place for the Marine Industry" Since 1958
Be The First To Reach Your Prospects

Buy
Sell
Trade
Rent
Lease
•
Get
The
Results
You
Want

BOAT HANDLING EQUIPMENT FOR SALE
INASANDTRANSPORT.COM New & owned. Hydraulic trailers, sling lifts, sport trailers. Buy or sell boatyard equipment.

BOAT HANDLING EQUIPMENT WANTED
TRAVEL HOIST WANTED: 15 to 100 ton needed. Any brand.

WANTED: 100 TON TRAVEL lift, in good condition. East coast preferred.

PILING FOR SALE
NEW STEEL SHEET Pile (buy factory direct) Most economical pricing available.

MISCELLANEOUS FOR SALE
2 VERINALIFT DUAL Stage lift, 12000 lbs. each.

APPROXIMATELY 430 30' to 40' PS27.5 flat sheets. 23 King pile and 28 special T's also available. Located in Great Falls, Montana. Asking \$900.00/ton.

JC 31 PILOT HOUSE. Aluminum decks & pilot house. 2013/14 refit, 300 HP, 6 BTA 380 gallons fuel, 24 knots, 18 knot cruise

PORTABLE FRAMING SQUARES. They are resistant to salt water corrosion. Padded and ready to mail.

HELP WANTED
200T AND UP Captains with MA Tow wanted. San Diego and Beach, CA.

Use a WANTED Ad For That Hard To Find Item!!!

CLASSIFIED ADVERTISING SECTION

JUST A SAMPLE
OF THE MANY CLASSIFIED HEADINGS AVAILABLE

- ADMIRALTY ATTORNEYS
- AIR COMPRESSORS FOR SALE
- AIR CONDITIONING EQUIPMENT
- AIRBOATS FOR SALE
- AIRCRAFT TIRES FOR SALE
- AMPHIBIOUS EXCAVATORS WANTED
- AMPHIBIOUS VEHICLES
- ANCHORS WANTED
- ANCHORS/CHAINS FOR SALE
- AQUACULTURE EQUIPMENT
- AUCTIONS
- BARGE FOR SALE OR CHARTER
- BARGES AND CRANES FOR SALE
- BARGES FOR SALE
- BARGES WANTED
- BEARINGS FOR SALE
- BIDS WANTED
- BOAT BUILDER
- BOAT DELIVERIES
- BOAT HANDLING EQUIPMENT FOR SALE
- BOAT HULLS FOR SALE
- BOAT MOLDS FOR SALE
- BOAT PLANS
- BOAT SLIPS FOR SALE
- BOAT TRAILERS FOR SALE
- BOATS FOR LEASE OR CHARTER
- BOATS FOR SALE
- BOATS WANTED
- BOATYARDS FOR SALE
- BOATYARDS WANTED
- BOW THRUSTERS FOR SALE
- BUOYS FOR SALE
- BUSINESS OPPORTUNITIES
- BUSINESSES FOR SALE
- BUSINESSES WANTED
- CRANE EQUIPMENT FOR SALE
- CRANES FOR SALE
- CRANES FOR SALE OR LEASE
- CUSTOM NOZZLES FOR SALE
- DIESEL FUEL COMPONENTS
- DIVING EQUIPMENT FOR SALE
- DOORS/HATCHES FOR SALE
- DREDGES FOR SALE
- DRYDOCKS FOR SALE
- ENGINES FOR SALE
- ENGINES WANTED
- ENGINE PARTS FOR SALE
- FERRYBOATS FOR SALE
- FISHING EQUIPMENT FOR SALE
- FLOATING DOCKS FOR SALE
- FORKLIFTS FOR SALE
- GEAR PARTS FOR SALE

- GEARS FOR SALE
- GEARS WANTED
- GENERATORS FOR SALE
- GENERATORS WANTED
- HELP WANTED
- HOIST/WINCHES FOR SALE
- INSTRUCTION
- INVITATION FOR BIDS
- LIFESAVING EQUIPMENT FOR SALE
- MARINAS FOR SALE
- MARINE CONTRACTORS EQUIPMENT
- MARINE RAILWAYS
- MISCELLANEOUS FOR SALE
- MISCELLANEOUS WANTED
- NAUTICAL ANTIQUES FOR SALE
- OUTDRIVES FOR SALE
- PERMITS FOR LEASE
- PERMITS FOR SALE
- PERMITS WANTED
- PILE DRIVER FOR SALE
- PILE DRIVING EQUIP FOR SALE
- PILE DRIVING EQUIP WANTED
- PILING FOR SALE
- PILING WANTED
- POSITIONS WANTED
- POWER UNITS FOR SALE
- PROPELLER SHAFTING FOR SALE
- PROPELLERS FOR SALE
- PROPULSION UNITS FOR SALE
- PUMPS FOR SALE
- PUSHBOATS FOR SALE
- REAL ESTATE FOR SALE
- REFRIGERATION EQUIP FOR SALE
- REQUEST FOR PROPOSALS
- ROPE FOR SALE
- SAILBOATS FOR SALE
- SALVAGE EQUIPMENT FOR SALE
- SANITATION SYSTEMS FOR SALE
- SCHOONERS FOR SALE
- SEMI SUBMERSIBLES FOR SALE
- SERVICES OFFERED
- SHIPS FOR SALE
- SHIPYARDS
- SUBMARINES FOR SALE
- TANKERS FOR SALE
- TOWBOATS FOR SALE
- TRAILERS FOR SALE
- TUGBOATS FOR SALE
- V-DRIVES FOR SALE
- WATERFRONT PROPERTY
- WIRE ROPE FOR SALE
- YACHTS FOR SALE

110' x 34' 1943 STEEL • EX-NAVY REPAIR BARGE



All steel construction Appears to be in Very Good or better condition throughout! CLEAN: Used for Electronics repair. 96' two-story house w/ 7' 2" ceiling height. 7' open deck at each end. Approx. 3,250 sq. ft. on each of two decks & below main deck which has refrigerated storage & water integral tank approx. 2500 gal. Fully plumbed w/heads & showers on 2 decks, 500 cu. ft. holding tank. Fully MODERNIZED electrical w/480/240/110 shore power & transformers. Fire suppression sys., Fiber optic wired thruout, vapor proof DOANE lighting. No propulsion or gen set. All interior walls on upper decks removed, totally open space ready for your EASY reconfiguration. Perfect conv. to camp, quarters barge, shops, display, retail, floating residence, etc. Loc. in fresh water at Seattle, WA.

\$249,500.00

**ALL Details • Photos: www.PacificMarine.org
Email: david@pacificmarine.org • (206) 225-3360**



**GLADDING-HEARN SHIPBUILDING
Duclos Corporation**

gladding-hearn.com | 508-676-8596



INCINOLET® electric incinerating toilets

PROBLEM SOLVED!

Need a toilet in "no discharge" zones?

For boat or dock, home or cabin – INCINOLET, your best solution!

SIMPLE to install, maintain.
120 or 240 volts

US Coast Guard Certified

ULTRA CLEAN: waste reduced to sterile ash. As little as a cupful weekly. Dump in garbage.

TOP QUALITY: stainless steel, platinum odor control, quality controls assure long life.



1-800-527-5551
www.incinolet.com

RESEARCH PRODUCTS/Blankenship • 2639 Andjon • Dallas, TX 75220

ENGINES FOR SALE



**2x 20-710 MARINE LF & RH
MATCH PAIRS
\$135,000 USD Ea. ONLY**

2x Used EMD L12-710-G7B
4x EMD L20-710, PROPULSION ENGINES
16-645 TURBO, ONLY 2,400 Hrs., \$65,000 USD
4x 16-64E4 UNDER 1,000 Hrs. (2) 20-645 & (2) L16-710 G7A MARINE PROPULSION
(2) MARINE EMD 12-645E7 LH & RH, 4x 12-645 Rts. BLOWN, 3x 3516 HP, 2,800 RPM New Mgs
(1) ALCO 12-251 • (5) ALCO 16 CYL. 251F 2x 18 CYL. 251F & LOTS NEW PARTS
(9) NEW CAT C280-8 MARINE, ABS GEN. SET 600v, 2,948 HP @ 900 RPM • D399 w/7261 RATIO 3.95-1 & 3,508 Hrs., FROM A LLOYD CERT. SHIP
3x 3516 DITA - MARINE PROPULSION, 1825 HP @ 1200 RPM • 3208 DITA MARINE, 375 AND 435 HP

GEARS FOR SALE

**(2) LUFKIN RATIO 3-1, RATED 2,600 HP
OFF 12-645E7 EMD • 7251 RATIO 4-1**

GEN SET FOR SALE

**D343 MARINE GEN SET,
FROM A LLOYD CERTIFIED SHIP**

(506) 726-7161 Roger • rogerl@mdeltd.com



**VISIT OUR SHIPYARD
ORANGE, TEXAS**

**CALL (409) 988-0005
for SPECS OR QUOTE
www.inlandboats.com
Email:
inlandboatworks@gmail.com**

**The ORIGINAL
Truckable Boat Builders**

**CUSTOM BUILT PUSHBOATS AND
DECK BARGES YOUR DESIGN OR OURS**

STANDARD MODELS • CONTINUOUS PRODUCTION OVER 45 YEARS BUILDING BOATS & BARGES



MODEL 2516
25'9" x 16'0" x 5'6"
650-750 H.P. Twin Engine



MODEL 2510
25'9" x 10'0" x 4'0"
200 H.P. Single Engine



MODEL 2512
25'9" x 12'0" x 4'6"
400 H.P. Twin Engine



MODEL 2514
25'9" x 14'0" x 5'0"
600 H.P. Twin Engine



PIN TOGETHER BARGES
Lengths up to 60' 0"
Widths up to 32' 0"



MODEL 2520
25'9" x 20'0" x 6'10"
750 H.P. Twin Engine



NEW MODEL
MODEL 2523 with Quarters
25'9" x 23'0" x 6'8"
1125 H.P. Triple Engine



MODEL 2520 with Quarters
25'9" x 20'0" x 6'0"
750 H.P. Twin Engine

**NEW ENGINES WITH FACTORY WARRANTY
JOHN DEERE & CUMMINS TIER III COMPLIANT
ALL VESSELS IN WATER TESTED**

**NEW ZF MARINE TRANSMISSIONS
AQUAMET 17 PROPELLER SHAFTS
NEW BRONZE 4-BLADE PROPS
HEAVY DUTY QUALITY CONSTRUCTION**



60' Wood Headboat
 New 5 year COI 5/2019, CG Cert. 73 Pass Lbs., Hull Refastened 2019, (2) 671's, 11kW Gen., Large Cabin, Top Deck
 Currently Operating • Turn Key
\$36,000 \$30,000 • Must Sell
Owner Has Other Interests
(718) 775-4576

GIBSON 1998 55' HOUSEBOAT



Beautifully Maintained 5500 Series. Top Of The Line Gibson w/Twin GM 6.5L V8 Turbo Diesels. Westerbeke Generator, GPS, Radar, Depth Sounder, & Rear Camera. Original Owner. Documented. Freshwater Boat Located On The Upper Monongahela River, PA Port of Millsboro
\$135K • (724) 321-2031

Dames Point Workboats, Jacksonville, FL
(904) 757-0407 • www.damespointworkboats.com



Bucyrus Erie 30B Super Crawler Crane
 50 Ton, 100' Boom,
 6 Cylinder Cummins
 On 130' x 30' x 7' Barge with Raked Bow, Square Stern. Includes 35' Square Spuds.
 Currently Working in N.E. Florida
\$97,500.00

COMMERCIAL MARINE SUPPORT SALVAGE, DIVING & CONSTRUCTION

Cranes, Barges, Tugs, Ferry & Dredging Services • Crew, Tow, Film, Spill Security & Safety Boats.
 Sales & Equipment Rentals • Meet The Fleet At www.CustomMarine1.com
Capt. Dwayne Reith • 646-235-9546 Tel. • 914-930-8907 Fax. • 710 Washington St., Peekskill, NY 10511

 2004 Mission 33' All Aluminum Catamaran, 33' x 11.5", Twin Mercury Verado 275 HP Excellent Condition, Trailer Included. \$168K	 1994 Almar 28', Twin Fuel Injected 502's, Fresh Water Cooled Low Hours. \$72K	 Flat Deck Bin Wall Barge 130' x 38' x 11' x 1/2" Sides Mostly Freshwater. \$120,000	 2 - LCM-8, 1987, Freshwater Only, 700 Hrs., 80 Ton Capacity. \$329,000	 2004 Nautica Rib, 42' Cost \$500K New. A/C, Genset, 440 Yanmar w/Jets. \$119,000	 1996 Sea Ark 36 Dauntless Caterpillar 3208 500 Hours Kohler Generator. Asking \$119,000
--	---	---	--	--	---

 1994 Sea Ark 32' Fire Boat, Twin Cummins 6BT Low Hours. Asking \$75K	 Landing Craft LCM-8, Twin Screw, Detroit "Twin Packs" (4) (6-71) 300 HP Ea., 80 NET Tons, 74'L x 21'W x 4.5' Draft. Asking \$220K
 25 x 14 Marine Inland Push Boat Needs only motors and transmissions. Asking \$85K	 (2) Scully Boats 26' and 23'. Sale or Lease. Single 175 HP, Twin 150 HP A/C, Excellent Condition.
 Shugart (4) 40' x 12' x 5'3, 25 Ton Capacity Ea. 2 - 20" Spud Wells, 2 - 40-80" Spuds Avail. - For Lease	 2003 Sea Ark 28' Enforcer, Alum., Twin Yanmar 200 HP, Genset. \$78,000
 1997 Sea Ark 19', Fuel Injected Mercury 350 I/O. w/Trailer. Asking \$26K	 2003 Sea Ark 27', Twin 2011 Honda 150 HP Outboard, Generator, w/Trailer. Asking \$62K

FOR LEASE: (2) 2007 25' x 12 TRUCKABLE PUSH BOATS
(1) FOR SALE - \$159K FIRM

15' Eye Level, Twin Screw John Deere's, Flanking rudders, Used only in fresh water, Excellent condition, Very low hours.

FOR LEASE OR SALE
(2) 2015 25'11" x 14'
MARINE INLAND TRUCKABLE PUSH TUGS - \$275K

2 - 300 HP John Deere 6068 turbo tier 3 diesels 700 hrs. Flanking rudders with 21' eye level upper station and 15' from house 10 kW Genset. Fire pump, diesel mounted on deck. 2 - 10 ton winches 3/4 cable. 2 - 36" x 24" x 2.5" work horse props. 9' Push knees. Very Low Hours

"NEW" REPLACEMENT ELECTRICAL GENERATORS
WHY REWIND IF YOU CAN REPLACE FOR LESS?

FULL MANUFACTURERS WARRANTY

1Ø - 3Ø 120 - 480 VAC 125 / 40°C RISE

NEWAGE / STAMFORD			MECC ALTE	
PO / PI AND UCI MODELS			NPE / ECP MODELS	
KW RATING	1Ø	3Ø	1Ø	3Ø
6 - 10 KW	\$1950	\$2132	\$2150	\$2610
10 - 12.5 KW	\$2064	\$2132	\$2275	\$2610
12.5 - 15 KW	\$2132	\$2220	\$2390	\$2710
15 - 17.5 KW	\$2220	\$2510	\$2525	\$2710
17.5 - 21 KW	\$2310	\$2510	\$2525	\$2890
21 - 25 KW	\$2665	\$2920	\$2610	\$2890
25 - 30 KW	\$2920	\$2975	\$2920	\$2920
35 - 40 KW	\$3075	\$3165	\$3390	\$3390
40 - 50 KW	\$3770	\$3770	\$3995	\$3995
50 - 60 KW	\$4410	\$4410	\$4425	\$4425
60 - 90 KW	\$4665	\$4665	\$4995	\$4995
75 - 90 KW	\$5476	\$5476	\$5590	\$5590
90 - 100 KW	\$5476	\$5476	\$5850	\$5850
100 - 125 KW	\$6097	\$6097	\$6590	\$6590

Purchase 3 or more - Take additional 5% discount.
Same day shipment on stock machines.

SOUTHEASTERN POWER PRODUCTS
 Phone: (954) 979-5899 • Fax: (954) 979-4349
 E-Mail: parts@southeasternpower.com

Sam Winer Motors, Inc.
 Akron, OH

OVER 600 NEW & REBUILT WINCHES IN STOCK

Units & Parts Factory Distributor for:

BRADEN CARCO Gearmatic

TUSA WINCH WARN RAMSEY WINCH Pull+MASTER dp WINCH
 IR SUPERSEAL GEAR PRODUCTS CH ROTZLER dynamic oil

Sales and Service Centers In
Akron, OH, Houston TX & New Iberia LA
1-877-Dr Winch (379-4624)
 Fax: 330-628-0948
info@samwinermotors.com
www.samwinermotors.com

EQUIPMENT FOR SALE



American 2 Drum Winch DC Powered
\$12k FOB • SF Bay Area



(2) Smith Berger Model-621
\$3,900 For Pair



50'x14' Twin Screw Workboat/Cargo
Truckable New Aluminum Pilot House
and Electronics Turn Key Excellent Condition
Located Astoria OR • \$168k



50'x14' Workboat/Cargo
Excellent Condition
Located San Francisco Bay Truckable • \$85k



Kvichak Oil Spill Recovery Boat
Like New on Trailer • Located SF Bay Area
\$24,500



Truckable 25' Single Screw
with Flank Rudder • \$45k FOB SF Bay



(4) EELLS
Salvage
Anchors
#8,000 Lb.

\$25k
For Set
FOB
SF Bay
Area



(4) Model 618's 1-1/2 Wire
Like New • \$28k For Set FOB SF Bay

For More Information Email: ron@gregerpacific.com

5 MILLION LBS. IN STOCK RENT - SELL - LEASE - TRADE

Anchors, Chain, Buoys, Yokohamas,
Sea Cushions, Wire Rope and Fittings,
Deck and Dock Hardware, Oil Boom,
Towing and Salvage Equipment

NEW
USED
A.B.S.



Anchor Marine & Industrial Supply, Inc.

P.O. Box 58645
Houston, TX 77258

1-800-233-8014

(713) 644-1183

24 Hour Service

Fax: (713) 644-1185

WEBSITE: www.anchormarinehouston.com
email: sales@anchormarinehouston.com

Modular Plastic Pontoons

The Best Idea Since the Indian Canoe

36 and 24-inch Diameter Sizes



Wilson pontoons are used for pontoon boats, houseboats,
barges, work boats, party boats, pumping stations—they're
perfect for any application that uses pontoons.

- Molded from sturdy, medium density polyethylene (MDPE)
- Heavy-Duty: filled with closed cell polyurethane foam
- Modular: separate bow, middle, and stern modules allow for configurations of the most popular application sizes
- Maintenance Free: bottom painting recommended if left in saltwater full time. Otherwise, just pressure wash to clean.
- UV protected



5602 Sea Grapes Way
The Villages, FL 32163-2019

phone: 419-675-0002 • toll free: 877-456-2531
email: info@wilsonpontoons.com

www.plasticpontoon.com

SEACRAFT SHIPYARD

P.O. Box 1550, 3820 Lake Palourde Road,
Amelia, Louisiana 70340

985-631-2628 (phone) • 985-631-3513 (fax)

seacraft@seacraftshipyard.com • www.seacraftshipyard.com

Do It Yourself
Option

Subchapter M
Ready

Providing Fast Turnarounds and Quality Workmanship at Competitive Prices Since 1955

REPAIRS • CONVERSIONS • REPOWERS • REGULATORY INSPECTIONS • MACHINE SHOP • BUYER INSPECTIONS
VESSEL & EQUIPMENT SALES, BROKERAGE, STORAGE, FLEETING & CUSTODIAL SERVICES

Industry Leader In Converting Vessels From
One Service To Another.



BEFORE



AFTER



VESSELS AND MACHINERY FOR SALE

160' ALUMINUM CREWBOAT



Built in 2005 • Caterpillar Powered • US Flag

160' ALUMINUM CREWBOAT



Built in 2002 • Caterpillar Powered • US Flag



Bumpers

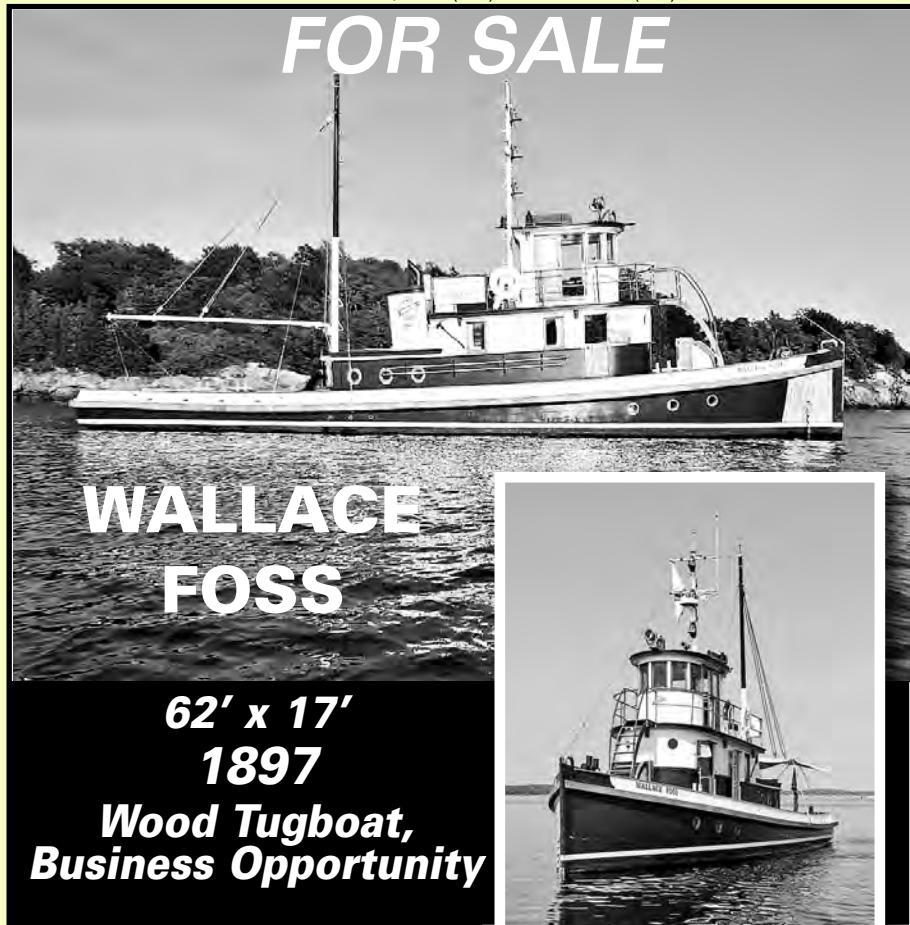
(2) 12' x 5.5' Inflatable Bumpers
(1) 9' x 5' Inflatable Bumper



Rudders

New & Used Stainless
& Steel Rudders
Shafts From 2" To 6 1/4"

For More Information,
Please Call (985) 631-2628



FOR SALE

WALLACE FOSS

62' x 17' 1897

Wood Tugboat, Business Opportunity

Already Converted! 100HP D-13000



USA Registered. Own a one of a kind fully converted cruising tugboat. Wallace Foss has recently received a full overhaul; fresh paint, all systems restored, upgraded and serviced as needed. Caterpillar only has 2,800 hours! Yanmar genset in a large standup engine room.

All new full electronics package in 2019. Hauled, maintained and surveyed in June, 2019. Fresh and comfortable interior; own a ready to go classic!

ONE OF A KIND!

\$159K PRICED TO SELL! MUST GO! ALL OFFERS CONSIDERED!

For Info Contact: info@wallacefoss.com

www.wallacefoss.com

(781) 264-1626

110' x 29' ALUMINUM



All Aluminum, Derektor Built. (2) Deutz TBD 616, 818 hp ea., (2) John Deere 6135SFM85, 650 hp ea. Top speed 20.5 knots. 40Kw Gen & 55Kw Northern Lights. Full electronics, USCG inspected. Presently fishing Brielle, NJ, Lic. 150 passengers, 100 miles.

Day: (732) 245-1592

SAMS
Society of Accredited Marine Surveyors®
Society of Accredited Marine Surveyors®
An International Organization of Professional Marine Surveyors
Use SAMS® Surveyors in your area
www.marinesurvey.org
1-800-344-9077



BOAT SHOW SPECIAL

USCG CERTIFIED 61' HATTERAS WIDE BODY MOTOR YACHT

Lots of upgrades. Nice Yacht. Currently working doing private & corporate charters. Currently 34 pax + 3 crew. Upgradable back to 49 pax +/- after CG stability test. Lakes, bays, & sounds protected, can be upgraded to partially protected after stability retest. \$299,000 Bring Reasonable Offer
Capt. Keith 508-846-4575 (Cell/Text)

GOOD STEEL BOATS



Made For Work Self-Bailing Assist Utility & Bridge Construction Boats
www.AMERICANWORKBOAT.com
(508) 264-6863

Dock Street Brokers

(206) 789-5101 (800) 683-0297

PR18-001

180' x 36.8' x 13' Catcher processor longline vessel.

Built in 1942 by USCG.

Converted in 1979. Recently operated in freezer longline fishery. ALCO C-251 main, rated at 1,450 HP. (2) 300kW CAT and (1) 135kW CAT 3306 gensets. All processing equipment included. Able to process any product. Air blast freezer system capable of freezing 50k#/day.

(8) Removable deck houses w/Mustad auto longline system available. Accommodations with bunks for 35. Located in Washington.

Asking \$500,000

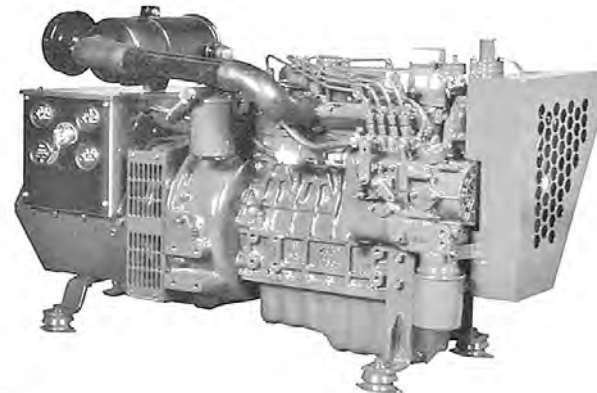
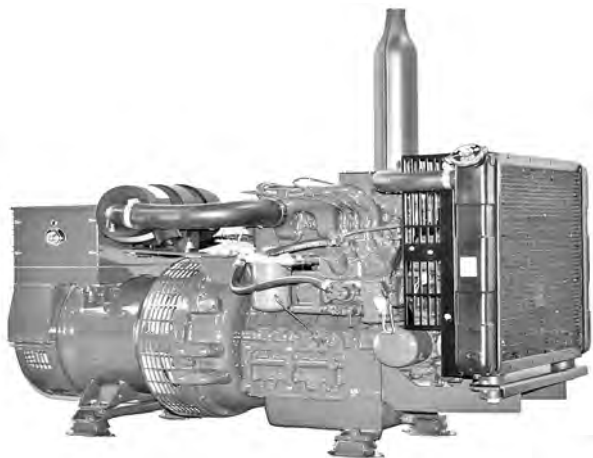
Call For More Information And Survey

www.dockstreetbrokers.com



nextgenerationpower.com

Powered By:



SPECIFICATIONS

RADIATOR COOLED

1cyl	3.5Kw	\$4,525.00
2cyl	5.5Kw	\$5,575.00
3cyl	7.0Kw	\$6,465.00
3cyl	8.5Kw	\$6,575.00
3cyl	9.5Kw	\$6,935.00
4cyl	12.5Kw	\$7,600.00
4cyl	15Kw	\$8,525.00
4cyl	17.5Kw	\$9,125.00
4cyl	21Kw	\$9,675.00
4cyl	25Kw	\$10,450.00
4cyl	30Kw	\$11,120.00
4cyl	40Kw	\$12,500.00
4cyl	50Kw	\$13,950.00

- Kubota Diesel Engine
- 1800 RPM Generator
- Brushless Exciter
- Automatic Voltage Regulator
- High Temp and Low Oil Shutdown System
- Air Cleaner
- Belt Guard
- Hour Meter
- Key Switch
- Vibration Isolators
- Fuel Filter
- Fuel Transfer Pump
- Key Switch Start

HEAT EXCHANGE COOLED

		HEAT EXCHANGE COOLED	HEAT EXCHANGE COOLED
1cyl	3.5Kw	\$5,775.00	\$ n/a
2cyl	5.5Kw	\$6,975.00	\$5,400.00
3cyl	7.0Kw	\$8,642.00	\$6,050.00
3cyl	8.5Kw	\$8,998.00	\$6,250.00
3cyl	9.5Kw	\$9,986.00	\$6,475.00
4cyl	12.5Kw	\$11,829.00	\$7,200.00
4cyl	15Kw	\$12,458.00	\$8,200.00
4cyl	17.5Kw	\$13,572.00	\$8,600.00
4cyl	21Kw	\$14,685.00	\$9,450.00
4cyl	25Kw	\$ n/a	\$10,100.00
4cyl	30Kw	\$20,160.00	\$10,500.00
4cyl	40Kw	\$ n/a	\$14,475.00
4cyl	50Kw	\$ n/a	\$15,600.00

Call us now to discuss options before end of year EPA regulations cost you thousands

904-642-8555

1732 Saint Johns Bluff Road
Jacksonville, Florida 32246

Questions to ask before ordering your sectional barge:

1. Will my barge be designed by experienced engineers?
2. Will my barge be built to my exact requirements?
3. Will my complete satisfaction be guaranteed?

If it's important that the answer to these questions is "YES", then contact us at:

RPS Barge Co.

Built to your requirements.
Built to last. Guaranteed.

877-826-2617 502-747-5540

www.rpsbarge.com

bill@rpsbarge.com



FRASER MARINE PRODUCTS

MANUFACTURING QUALITY ALUMINUM & BRONZE HARDWARE TO THE BOAT BUILDING INDUSTRY SINCE 1965

WWW.FRASERBRONZE.COM
5625-48th Dr. NE Unit D Marysville, WA 98270
Toll Free: 877-264-1064 Made in USA

NEXT CLOSING DATES
SECOND APRIL ISSUE 2020
DISPLAY & CLASSIFIED CLOSE
APRIL 3RD
(9:00 AM CST)

Opdyke Inc. Sales@Opdykes.com
Specialized Trucks & Equipment Sales
3123 Bethlehem Pike, Hatfield P.A. 19440 866-204-2545

www.Trucks123.com

100+ SPECIALIZED TRUCKS IN STOCK!
20 TANDEM KNUCKLEBOOM TRUCKS IN STOCK!! \$34K-\$100K

2007 MACK CV713: AM1-370 6 CYL (370 HP); FULLER 8LL; A/C; 79,200 GVW.
2006 HIAB 322E4XS KNUCKLEBOOM: RADIO REMOTES; 22' 6" STEEL FLATBED.

UNMOUNTED KNUCKLEBOOMS

20+ used \$14,500 & up

HIAB • PALFINGER • EFFER • FASSI • ETC.

2013 FREIGHTLINER M2-106: CUMMINS ISC 8.3 6 CYL DIESEL (350 HP); ALLISON 6 SP AUTO; A/C; 56K GVW. 1994 BOSTON STEEL ALUMINUM FUEL TANK: 3800 GAL; 3800 GAL CAP; 5 COMPTS; 1-1200 GAL; 2-800; 2-500; BLACKMER PUMP; L/C METER; REG/PRESET; 1 HOSE REEL.

10+ FUEL TRUCKS IN STOCK!

BROKERS WANTED
we pay competitive commissions on sales!

Heartland Barge
Inland River & Blue Water
Barges, Boats, Drydocks & More!

MARINE BROKERS
MIDWEST OFFICE 618-281-4503
EAST COAST OFFICE 618-281-4508
www.HL-Barge.com/shop
equipment@HL-companies.com

2005 THRILLER BOAT

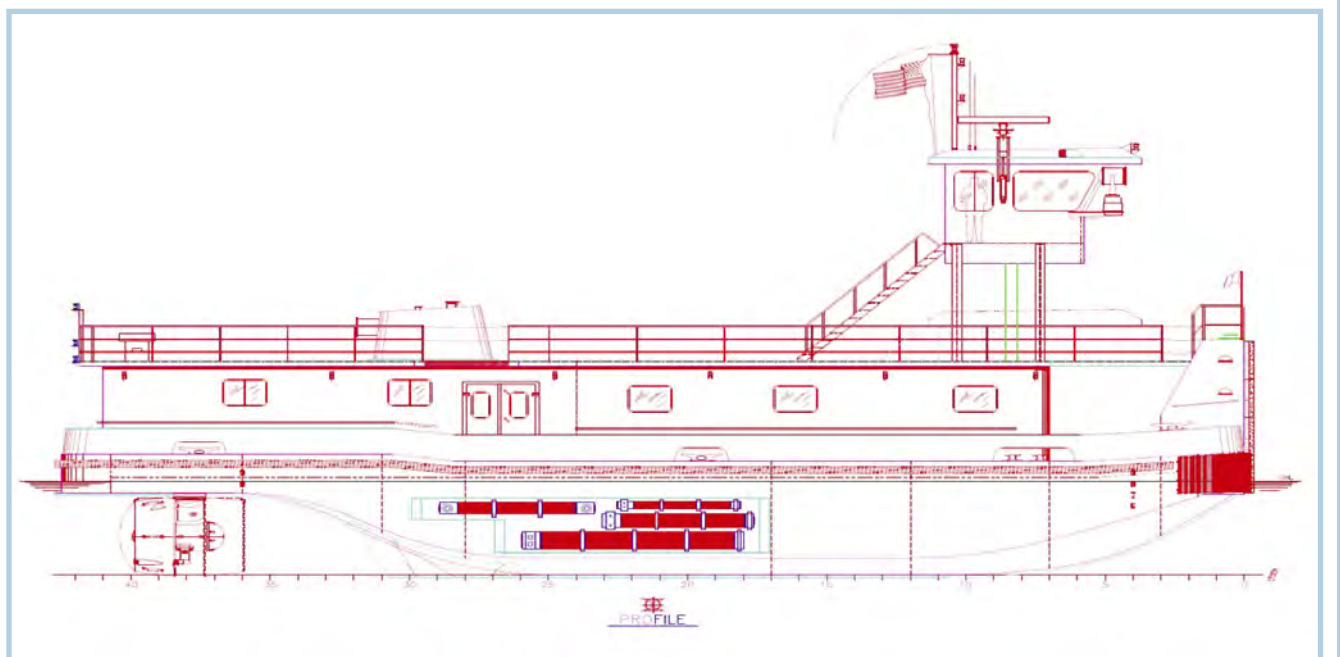
45 Passengers • Fresh Paint
New Arneson Drives • Comes With Trailer • Full Interior

Asking \$150,000 • Contact: (786) 267-7091

STEINER CONSTRUCTION COMPANY, INC.

Steiner Built For You.

Tier 3 Subchapter M Compliant Pushboat Available 2020 For Sale Or Lease



2,600 HP Z-Drive 85' x 34'

Featuring:

- Cummins QSK38's
- CAT MTA318 Z Drives
- Retractable Pilot House
- 65 KW Gen Sets

OTHER TIER 3 ENGINES AVAILABLE UPON INQUIRY

- 2 Sets Of Cummins QSK38's Rated 2,600 BHP
- 1 Set Of QSK50's Rated 3,400 BHP
- 1 Set Of Mitsubishi S16R's Rated 3,350 BHP

STEINER CONSTRUCTION COMPANY, INC.

Bubba Steiner, Owner
P.O. Box 609 - 13860 Woodruff Ave
Bayou La Batre, AL 36509
251-824-2330

www.steinermarine.com
steinermarine@yahoo.com



J & B BOAT RENTAL LLC

Has Crew Boats, Work Boats, Tug Boats and Living Quarters for Hire

J & B MANUFACTURING

J & B Manufacturing Builds Work Boats and Crew Boats to Your Specifications
We also have Coast Guard Plans to choose from, tell us what you want and we can build it
These are a few vessels built by J & B Manufacturing.
You can contact us @ (985) 594-5831 or
Visit our website: www.jbboatrentals.com



VESSELS FOR SALE

- 150' Aluminum Welded Crew Boat
- 150' Aluminum Crew Boat w/5 Cummins K19, Very Clean New COI
- 65' Aluminum Crew w/Cummins Diesel Engs, Clean & Fast, New COI
- (4) 50 Aluminum Crew Boats w/Cummins Diesel Engs, Clean & Fast, All New COI
- 68' 3 Level Steel Push Boat, w/Cummins Diesel Engs, New COI
- (10) Aluminum Deck Boats from 20' - 47'

1988 ELLICOTT 600 SERIES



Gross Weight: 135,000 Lbs.
Overall Length: 77'
Ladder: 49' • Width: 20'
Digging Depth: 33' • Swing: 97'
C-27 Main Engine: 2,429 Hrs.
C-9 Hydraulic: 5,304 Hrs.
Pearce Pump: 42" Impeller
Hydraulic System Overhaul 2015
400 Cy Per Hour Prod. Rate
2,700 Gallon Fuel Capacity
Undergoing New Paint & Pump Rebuild

Reduced Price! - \$525,000.00
772-286-5123

DREDGE LIQUIDATION!!

- 18" Ellicott Booster Pump, 5375 hrs
- 16" Ellicott Booster Pump, 2929 hrs
- Traveling Spud / 7000 gal Fuel, just sandblasted & painted
- Spare Gearbox / Rebuilt / Ellicott
- 20" SDR 17 Pipe, 12,000 LF • 18" SDR 17 Pipe, 5000 LF
- 16" SDR 17 Pipe, 12,000 LF • 16" SDR 11 Pipe, 4000 LF
- 20" Pipe weights, 100 sets • 18" Pipe weights, 100 sets
- 40' Pipe Trailer • 16" Float Line, 6 pieces
- 750 Lb. Anchors, 12 • 1000 Lb. Anchors, 6
- Misc. Buoys with Lights and Fittings

Please Contact: 772-286-5123



www.mlengine.com
sales@mlengine.com

2845 Hwy 311, Schriever, Louisiana 70395

1-800-960-0068 CALL TODAY!

Gas Inboard / Mud boat Power train

Up to 44 Horsepower!
Electronic Fuel Injection
ZF Transmission
Air Cooled



Marine Diesel Generators

6kW up to 200kW
Keel Cooled
Heat Exchanger Cooled



Gas and Diesel Pumps



2" - 48" Pumps
Skid Mounted
Trailer Mounted
Dry Prime
Wet Prime



Packaged Generators

6kW up to 800kW
Sound Enclosures
Fuel Tanks
Trailer Mounted
Panels and Accessories



Replacement Engines

Tier 2 Mechanical in Stock!
Tier 3 & Tier 4 Available

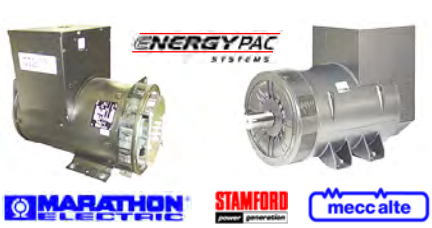


Pressure Washers



Heavy Duty Diesel and Electric

Generator Alternator Ends



Custom Power Units

6hp up to 400hp
Diesel
Natural Gas
Gasoline
Propane



PRICE MATCH GUARANTEE

We will match or beat any competitors price!



Buys & Sells: New, Used, Surplus, & Rebuilt Marine Diesel Engines, Transmissions, Generators, Propellers, Any Yacht Related Parts

Contact Information: Ft. Lauderdale, FL
P: (954) 584-6544 • E: bh@marinesalvagesale.com



Alfa Laval

Oily Water Separator,
3.8 m³/24H

Model #: JWP-16-C40

The Alfa Laval JWP-16-C40 is utilized for the conversion of seawater into freshwater by vacuum distillation for the supply of high quality freshwater for domestic and process utilization. The JWP-16-C is designed for automatic operation with continuous control of freshwater quality and installation on ships, rigs, and remote onshore locations.

ASKING PRICE: US \$98,950.00

Visit Our eBay store at:

<https://www.ebay.com/str/theyard1>

Shipbuilding, Repair, Conversion and Sustainment



Fincantieri Marine Systems N.A. is a benchmark operator in ship construction, repair, conversion and sustainment for commercial and government markets. One of the company's many strengths is its vast global network of repair facilities—shipyards located on four continents providing comprehensive services that may be required anywhere in the world. In addition to shipyard services, FMSNA now offers remote vessel support at customer facilities, underway repair services and test/trials management. With years of experience in repairs to cruise ships, mega yachts, bulk tankers, workboats and military ships of every size and variety, one call puts a seasoned repair team at your immediate disposal. Their commitment is to return your vessel to service as soon as possible and in accordance with international safety, quality and environmental protection standards.

FINCANTIERI MARINE SYSTEMS N.A. Sustainment Business Unit

www.fincantierimarinesystems.com
phone: 715-257-4553
email: sustainment@fmsna.com

LCU 1575 LANDING CRAFT FOR SALE



Triple 671 Detroit Diesels • 115' x 35' x 5.5'
New Skin 2017 • In SW Florida • 200 TN
Price: \$670,000 OBO

Wayne: (305) 546-1027
www.lilmoservices.com

45' x 14' Pontoon Boat



Current COI for 34 max with captain and crew.
2x 140 HP Suzuki 4-stroke, spacious bathroom
and wheelhouse. Runs great, well maintained.

Looking To Upgrade Boat • \$89,000.00

P: (609) 694-0161

E: avalonladyfishing@gmail.com

56' DMR EXCURSION BOAT



Built 1979, Fiberglass hull, Repowered 2016
w/6068 John Deere, Currently at 2,800 hrs. &
still under warranty. (2) Heads, Wet bar,
stereo/PA system. Current COI for 86 pass. +
3 crew. USCG topsides exam Aug. 2019,
Haul-out/bottom job Sep. 2019.

www.kingfisherfleet.com/island-star

Reduced to \$95,000 • P: (941) 204-3474



* 17', 22', 26' Offshore Boats *
NEGUS MARINE INC.
3957 Demetropolis Rd, Mobile, AL 36693
251-660-9186 • edsheds@bellsouth.net

ZF MARINE GEAR



510-1A • 2:1 Reduction • 1,200 HP Max
New In Box • \$18,000 OBO
Contact: (907) 399-2128

1998 MARINE TRAVEL LIFT F2700 FORKLIFT



27,000 lb. Cap.
40' Pos. • 10' Neg.
Cummins 6BTA
with under 900
original hours
Hydrostatic trans.
Runs great
Recent seals in cyl.
First 20 years
in fresh water

Reduced To Sell
\$90,000

Sunset Harbor Marina
Call John Polek: (410) 687-7290
sunsetharbor1651@gmail.com

NJ CUSTOM HEADBOAT FISHING OR CRUISE



85' x 21' Double planked
Mahogany on laminated
frames Totally Epoxy fiberglass
Twin Volvo 163P • 700 Hp
20 KW Northern Lights Gen.
New fuel tanks and lines
Full electronics • Full galley
License for 105 pax.

Operated By Builder
Excellent Condition
Reduced

Call For Details **856-313-5493**

Concrete Floating Breakwater



2 Each, 13'9" W x 41' L x 6' D

One has minor cosmetic storm damage and the other one has more substantial damage to one of the breakwater legs. Cost New \$80,000 each, asking \$10,000 for the pair, and or best reasonable offer. (To be sold "AS IS") Units bought new in 2015. Drydocked since 2015.

Contact Arthur Davis: 617-894-1248

BUILD YOUR OWN DREAM



**75' x 18' Fiberglass. Deep V Hull and Deck Inc. Stringers
Ready For Engines and Interior ALSO**

Complete set of molds to build this boat.

Cost over \$1,000,000

*****Sell For \$199,000*****

All Trades Considered

(954) 494-1448

2007 MINI SUPPLY VESSEL FOR SALE



USCG Inspected: I & L, ABS Loadline, ABS: ADP11...DP1

Length: 150', Beam: 36', Depth: 12', Clear Deck: 90' x 30'

Deck Cargo: 335 Long Tons, Main Engines: Caterpillar

Speed: 12 Knots, Bow Thruster: 300 HP

Fuel Capacity: 43,000 / 95,920 Gals, Liquid Mud: 1,260 BBLs

Potable Water: 10,000 Gals, Fire Monitor: 4" Elkhart,

Certified To Carry: 20, Berth: 20, Two (2) 150 KW: Cat C-9

Radars: (2) Furuno, Radios: (3) VHF (1) SSB / ICOM

Fathometer: Yes, GPS: (2)

Navtec: Yes, Plotter: Yes

Please Call: (337) 319-8123
Vessel Now On Dry Dock
For USCG & ABS At
Superior Shipyard Golden Meadow, LA



**CUSTOM BUILT
HEAVY DUTY
ALUMINUM BOATS**

985.385.3310 • HANKOS.COM

Boat Building Since 1985! Large & Diverse Portfolio of Commercial & Recreational Boats!



FLAT BOTTOM WORKBOATS IN STOCK



**CABIN WORKBOATS
IN STOCK**



V-BARGE WORKBOATS



**CUSTOM
FABRICATION
AVAILABLE**

**CALL
HANKO'S
TODAY!!**

SCRATCH & DENT SALE

High Tensile Galvaluma Steel



100% U.S. Made No Drilling Required

Military Spec. Quonsets
SAVE \$\$\$\$

20 x 30	40 x 60	55 x 120
25 x 40	45 x 72	60 x 150
30 x 50	51 x 96	70 x 200

Archway Steel Buildings
1-800-349-0150 Ext: 205
Fax (412) 771-9826

BUY SELL RENT

**CLAMSHELL BUCKETS
HOISTS & WINCHES
PILE DRIVING
EQUIPMENT**



GREG DUNN
(724) 228-5560
FAX (724) 228-8776
www.neequipdist.com

25 Rockwood Drive
P.O. Box 358
Meadow Lands, PA 15347-0358



Smithwick & Mariners Insurance, Inc

Specializing in Inspected Passenger Vessels, Marinas, Boatyards, Boat Dealers, Mobile Marine Repairers & Various Commercial Marine Businesses as well as Yachts & Private Pleasure Boats

- ✓ Commercial Fishing, P&I, Lobsterboats
- ✓ Pollution Coverages
- ✓ NHCFA: Fishboat Program (New Hampshire)
- ✓ Charter Vessels
- ✓ Loss Free Credit/Loss of Income
- ✓ Payment Term Options

Call to customize a program for your needs:

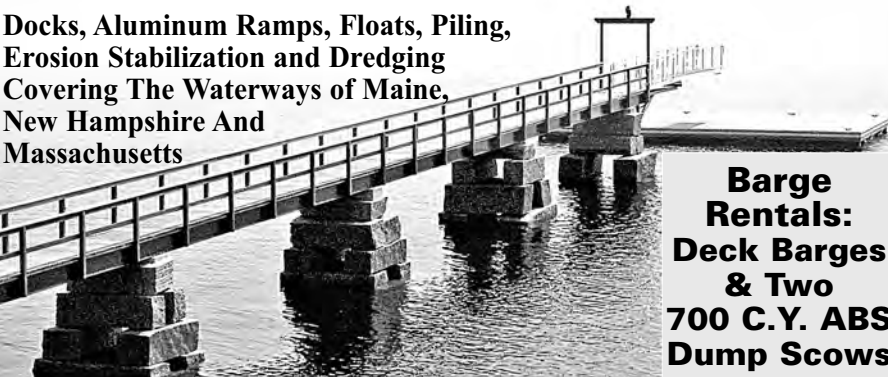
603-394-7008

www.blackadarmarine.com

Prock Marine Company

**RESIDENTIAL & COMMERCIAL
MARINE CONSTRUCTION**

Docks, Aluminum Ramps, Floats, Piling, Erosion Stabilization and Dredging Covering The Waterways of Maine, New Hampshire And Massachusetts



**Barge Rentals:
Deck Barges
& Two
700 C.Y. ABS
Dump Scows**

PROCK MARINE COMPANY
www.prockmarinecompany.com
Rockland, Maine • 207-594-9565



2009 Evans

Twin Suzuki 225 Diesel Generator
640 Hours
Crane
Furuno Electronics

\$52,000 • Call: (203) 687-7367 or jdm0556@yahoo.com

**SERVING THE MARINE AND OIL INDUSTRY
FOR OVER 50 YEARS**



**ANCHORS
CHAIN
CONN. LINKS**

**FENDERS
CHOCKS
BITTS**

**KEVELS
DOORS
HATCHES**

**FAIRLEADS
CAPSTANS
WINCHES
WINDLASSES**

*Detachable Conn. Links
Kenter Joining Links
Anchor Joining Links
Towing Plates*

*We Are Direct Importers
and Factory Distributors*

*Gigantic Inventory
New & Used
In Stock Now on the
West and Gulf Coasts*

WATERMAN SUPPLY CO., INC.
910 Mahar Ave.
P.O. Box 596
Wilmington, CA 90748
800-322-3131 • (310) 522-9698
Fax: (310) 522-1043

Exclusive Distributors for **ACSA** Products
Anchors • Chain • Hardware • Fittings
www.watermansupply.com


Call Toll-Free (800) 322-3131

REMOVE
paint, rust, scale
& barnacles
from steel ships



800.823.4670
www.swirloff.com

**Portable Pushboats
For Charter**



**430/330 HP Twin Screw
25' x 12' x 5', 3.5' Draft**
J-Way Leasing & Marine, LLC
(440) 934-1020

MERTON'S
**FIBERGLASS AND
MARINE SUPPLY**

- Complete hand lay-up fiberglass supplies for light & heavy fiberglass or wood boat repair & construction.
- Polyester, Epoxy, Vinylester Marine Grade Resins.
- Marine Topside Enamels & Antifouling Bottom Paint.
- Silicon Bronze & Stainless Steel Fasteners

Quality Brand Name Products
Competitive Pricing
All items in stock for
Immediate shipment

Online catalog
www.mertons.com
Call 800-333-0314
P.O. Box 399
East Longmeadow, MA 01028
Supplying Quality Products
To Boat Owners.
Hull Finishers & Boatyards for over 20 years

800-333-0314

OCEAN BREEZE Manufacturer of Marine Air Conditioning Systems, Chillers, Water and Air Cooled Package Units, Refrigeration, Explosion Proof



6,000 to 40,000 BTU



16k to 320k BTU Air Cooled Heavy Duty, Explosion Proof



Air Conditioning Condenser Unit / Ref. Unit up to 50 HP



60,000 to 360,000 BTU Self Contained



Chiller 60,000-180,000 BTU



Triple Compressor up to 500,000 BTU

- Custom Engineering On Site
- Fast Delivery
- We ship world wide
- Water Cooled Self Contained Units for boats from 24 feet to Cargo Vessels
- Specialist to the Military, Shipbuilders
- Air-Cooled Marine Package AC for Pilot Houses
- Oil Rigs
- Marine Load Bank

On Site Manufacturing since 1993
Contact Us Now Toll Free 1 866 227 7773

Phone: 772 220 0038 Fax: 772 220 0260
Email us at: obr@oceanbreezeac.com
Visit us online at: <http://www.oceanbreezeac.com>
Quorum Marine and Electronics Inc.
2951 SE Dominica Terrace
Stuart, Florida 34997

119' Landing Craft LCU 1466 Class




Dry Docked 2016, Just off Dutra Lease, 180 ton deck capacity, California - No COI, **\$499,000 Immediate Sale Firm**
John@spinnerisland.com

(2) Twin Disc Marine Gears



Model MG540 Vertical Offset (8.08 Inches) In 5.17:1 Ratio Running Takeouts For Repower, In Excellent Condition Low Hours **\$18,500 Each**
(619) 840-2487 • grant@pacifictugboats.com

1990 STEINER 115'



149 Passenger Aluminum, USCG, COI Good Through 2021, Next Haul Exam in 2022, Repowered 2015 with (3) New Tier 3 C-18 Cat and Transmission, 1800 Hours, Kobelt Controls, (2) New 40kW Mitsubishi Generators, NAIAD Stabilizers, Bow Thrusters. Recent Topside Insp. Dec. 2019.

Located on West Coast • \$1,500,000


Phone: (714) 321-2013 • Email: zoey468@gmail.com

1981 50' Yank Marine



Solid Glass • (2) Detroit 671 Diesels COI 49 + 2 • \$179,000
Turnkey Business Also Available
Contact Bill: (850) 247-8732

FOR SALE
FERRY/EXCURSION BOAT & BUSINESS
MID-COAST MAINE



34 Years In Business • Turn-Key
1989 Twin Screw 60' DMR • Fiberglass Current COI 113 Pax + 3 Crew Zero Hours On Rebuilt CAT 3306TA's Clean Boat! Current Survey Online Reservation System Well Maintained • Successful Business It's Time To Retire! This Is A Fantastic Opportunity For The Right Person.
All Inquiries To: 207-529-4498
Or oztrekkers@gmail.com
No Brokers Please

2017 25' LIFETIME CENTER CONSOLE WORKBOAT



BF250A Honda outboard, push knees, towing post, 10" S/S hydraulic hauler w/Honda motor. Custom davit that stows completely out of the way when not in use. 9'6" beam, 18" draft trimmed up, 30" draft trimmed down. Garmin 10" display plotter/sounder/radar overlay, LED deck lights, S/S Lenco trim tabs, Bomar hatch. 1/4" bottom, 3/16" sides. 100 gal. fuel cap. Outboard has 190 hrs. Inside stored when not in use. The trailer is a McClain commercial 10K GVW twin axle aluminum "I" beam quad bunk.
\$89,900 OBO
Contact: (207) 266-3035



VIKING ENHANCED SOFTLOOP FENDER

When Push Comes to Shove Have a Viking on Your Side

- The softest, most forgiving ship assist fender on market
- Designed for greater energy absorption and gripping ability
- Ideal for tractor tugs, bow, stern and side fenders
- Side hip fenders for tug and barge units
- Pier cell fenders





Quality Recycled Materials

a division of Viking Marine Products, Inc.
977 New Durham Rd, Edison, NJ 08817
Tel: +1 732-826-4552 • Fax: +1 732-826-5533
Complete Brochure at: www.vikingfender.com


Northeast Industrial & Marine Equipment Supplies
661 Route 9 Cape May, NJ 08204
1-800-884-3152 609-884-3152 609-884-3510
Fax: 609-884-3170 • Check Us Out @ www.northeastindustrialnj.net

EQUIPMENT SUPPLIES FOR ALL PHASES OF THE FISHING, DREDGING, MARINE CONSTRUCTION, AND TRANSPORTATION INDUSTRIES

- Custom Winch Systems 1,000 to 300,000 Line Pulls
- Custom Built Winches - 1,000 lb. to 200,000 lb. Line Pull & Diesel HPU Units
- Electric HPU Units
- Spud Handling Systems & Barge Anchoring Systems
- Used Equipment Refurbishing
- Equipment Rentals - Winches, Power Units

- Pullmaster, Superwinch, Lantec, Kinematic
- Custom Built Power Units
- Winches - Planetary, Worm Gear
- Control Valves 4 GPM - 400 GPM
- Hydraulic Pumps - Gear, Piston
- Hydraulic Motors - Staffa, KYB, Char-lynn
- Free Fall Winches - 5,000 lb. to 75,000 lb.
- Wintech Winches - Electric, Air, Hand Cranked
- Transmissions - ZF, Twin Disc



John Deere / Yanmar Industrial Engines

- Custom Built Barges

National & International Services
Hydraulic, Welding, Machine Shop Service
Email us @ neindustrial@hotmail.com



26' WINNINGHOFF

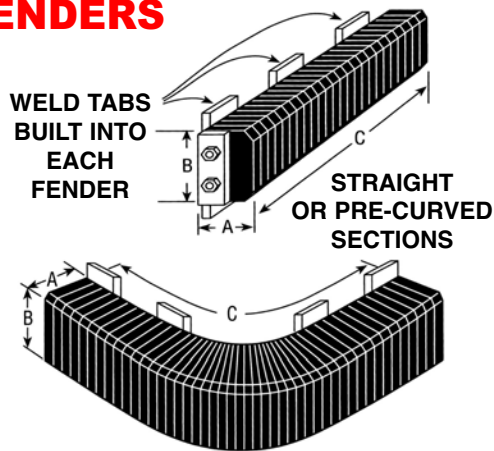
Comes With:

- Twin 225 Yamaha's • Davit With Winch
- Triple Axle Trailer • New Electronics
- 200 Gal. Fuel • New Wiring • New Batteries
- Full Factory Cert. Maintenance
- Ready To Go! • \$69,000**
- For More Info Contact:**
- (207) 451-3095**
- ken@riversideandpickering.com**



2,400 BHP TWIN SCREW MODEL BOW TUG
 100' LOA (Reg 91.9') x 25' beam x 9' light x 14' Loaded depth.
 Built 1944 by Luders Marine; Stamford, CT. Rebuilt 1988 by Dahl Tug and Barge. G/NRT 147/99 FO:48,000g. FW: 2,200g Winch: Single drum 2000' x 2" new wire. Main Engines: 2 x CAT 3512 total 2,400 BHP. Gears: Twin Disc MG540 4.65:1. Props: 2-FP 82"x58" 4-blade stainless on 8.25" shafts. Gensets: 2-60KW / GM6-71 120/240vAC 3ph 60Hz. Quarters: 6 berths, Nice Galley. YTM tug converted to twin screw with triple rudder. Repowered 1988. Hydraulic tow pins aft. Electric 60 ton face wire winches plus Capstan. Major work done by Bay Ship and Yacht 2010. New grid coolers. ZF electronic propulsion controls. US West Coast. Tug in great condition. Good hull. **Will deliver anywhere in the world! Can drydock upon request. \$175,000.00 OBO**
 Phone: 415-601-1024 • Email: contact@salriverco.com

WELD-ON D-GUARD FENDERS



1 1/4" RODS PART NO.	DIMENSIONS		
	A	B	C
SR114D 0606	6"	6"	12"
SR114D 0609	6"	9"	
SR114D 0707	7"	7"	to
SR114D 0808	8"	8"	
SR114D 0810	8"	10"	240"
SR114D 0909	9"	9"	
SR114D 1010	10"	10"	

3/4" RODS PART NO.	DIMENSIONS		
	A	B	C
SR114D 0404	4"	4"	12"
SR114D 0405	4"	5"	
SR114D 0406	4"	6"	to
SR114D 0408	4"	8"	
SR114D 0410	4"	10"	240"
SR114D 4510	4.5"	10"	
SR114D 4512	4.5"	12"	
SR114D 0606	6"	6"	
SR114D 0610	6"	10"	
SR114D 0612	6"	12"	

16901 Wood-Red Rd.
 Woodinville, WA 98072
1-800-426-3917
 Fax: 425-488-2424
sales@schuylerrubber.com
www.schuylerrubber.com



1036 Vicky Lane
 Broussard, LA 70518
1-866-347-9445
 Fax: 337-321-4276
sales@schuylermaritime.com
www.schuylermaritime.com



ISLAND WIDE MARINE INSURANCE
Superior Service Since 1977

CUSTOMIZED POLICIES
Designed Specifically For:
Passenger Vessels
Sightseeing - Dinner Cruise
Headboats - 6 Packs - Ferry
Dolphin - Whale Watch

FEATURING:

- ★ **Basic & Enhanced Policies**
- ★ **Competitive Pricing**
- ★ **Easy Payment Terms**
- ★ **Discounts For Seasonal Operations**



Marine Insurance is Our ONLY Business
1-800-635-6097

SEA HAWK BOATS

FERRY - TOUR - DIVE - SNORKEL - TAXI - CRUISE



- All fiberglass construction - no hull corrosion or split welds, EVER!
- Available in any length from 45' to 55' OAL.
- USCG Certified construction available for any route.
- Factory direct, built to order with your choice of layout and power.
- Economical and built to last - your best choice for commercial grade boats.



Fine Commercial Grade Boats

To get more information on these or any of our other Boats call today!!!

Phone: (863) 385-1995

Web: www.seahawkboats.com • Email: inquire@seahawkboats.com

Home of the Island Hopper 30, Sea Hawk 36, Pro 45, Pro 51 & Coming Soon, the Alpha Cat 24 and 30



2009 32' Impact 1000 RHIB
 Fantastic Shape



2001 Sea Ark
 Yanmar Diesel • Excellent Condition
~~\$89,999 OBO~~ • \$77,500



24' Silver Ship Work Boat
 Excellent Condition • Just Serviced • \$59,000



25' SafeBoat Defender
 Great Shape, NO POWER
 Reduced Price • 11 Available



2004 Zodiac Protector
 All Aluminum



2001 21' Sea Ark
 Twin Four Stroke Outboards
 2 Ea. to Choose From • Call For Pricing



2006 Sea Ark 23' Survey Vessel



50' UTB Utility Boat
 3 Ea. to Choose From • Price Reduced

ALL VESSELS ARE IN STOCK AND AVAILABLE FOR IMMEDIATE PURCHASE
COMMERCIAL BOAT RENTALS AVAILABLE!

For More Information On All These Boats Please
Contact Sales: 1 (833) 645-2628 Or
Visit Our Website: www.kclmsales.com

MARINE MACHINING & MANUFACTURING

Your One-Stop Shop for Your Marine Drive Needs

Sales & Service
AQUAMET



Sales & Service
AQUAMET

- A17, A19, A22 and A22HS
- Propeller Shafting Bar Stock Lengths Up To 36'
- C.N.C. Machined Propeller Shafting
- Precision Propeller Shaft Straightening & Repair

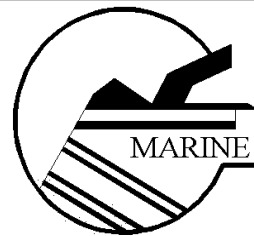
- Custom Machined Shaft Couplings up to 30" Diameter
- Michigan Wheel Propellers
- Propeller Repair

WORLD LEADER IN BOAT SHAFTING

World's Largest Stocking Distributor of AQUAMET

33475 Giftos Dr., Clinton Township, MI 48035 • PH: 586-791-8800

www.marinemachining.com - www.aquamet.com



MARINE EXHAUST SYSTEMS
OF ALABAMA INC.

P.O. Box 698
757 Nichols Ave
Fairhope, AL 36533
1-251-928-1234 Phone & Fax
Mesamarine@Earthlink.net
<http://www.mesamarine.com>



CAT D398



PERKINS 6.354



SUPERIOR 8G825



DETROIT 12V149N



DETROIT 16V71/92N



CUSTOM RISERS



CUMMINS 6BT

Water Cooled Manifolds, Heat Exchangers, and Collector Risers For Caterpillar, Cummins, Detroit, Perkins, Waukesha, Hercules, Mack, Isuzu, John Deere, Kubota, Daewoo, Isotta Fraschini, Guascor, Superior, Ford, Palmer, International, Fairbanks Morse, Lister, Wisconsin, and More. Custom Fabrication, Mufflers, Marinization, and Duplication of Obsolete Parts Available Upon Request. CALL, E-MAIL, OR WRITE TODAY



UNDERWATER LIFT BAGS ENGINEERED FROM THE BOTTOM UP!

- OPEN BOTTOM AND ENCLOSED LIFT BAGS FROM 100 LBS TO 50 TONS
- CABLE AND PIPELINE FLOATS
- WATER LOAD TEST BAGS
- LIFE BOAT TEST DAVIT TEST KITS
- PIPE PLUGGERS - INFLATABLE PIPE STOPPERS
- INFLAT-A-TANK - LIQUID STORAGE BLADDERS
- FEND-AIR™ - INFLATABLE MARINE FENDERS
- RENTALS AVAILABLE

• MADE IN USA • ALL MAJOR CREDIT CARDS ACCEPTED • IMCA COMPLIANT

P.O. Box 2030 • North Kingstown, Rhode Island 02852 USA

Phone: (401) 884-8801 • Toll Free: (800) 466-6962 • Fax: (401) 884-8868

Website: www.SUBSALVE.com • E-mail: Richard@Subsalve.com

YOUR BUSINESS ANCHOR

Buying or Selling a Passenger Vessel or Business?



Marika 133 Passenger Yacht



Solano 321 Passenger High Speed Ferry



Vega Pilot/Patrol Boat



Hat Express 89 Passenger Ferry

PINNACLE
MARINE CORPORATION

We are the only brokerage service specializing in the passenger vessel industry. We also provide assistance locating financing, vessel transportation, securing insurance, marketing and business consulting, and auction services.

608-788-3210 • email: info@pinnaclemarine.com • www.pinnaclemarine.com

Scully's Customized Boats



MDL 2072VWB, T-Top



MDL 2284VWB, T-Top



MDL 2284DVWB, Cabin, AC5



MDL 2484VWB, T-Top



MDL 2484VWB, Cabin, Survey



MDL 2684DVWB, Cabin

Scully's Constructs Up To 100 Foot Vessels USCG Certified



MDL 2884DVWB, Cabin



MDL 2896BS, T-Top



MDL 3410BV, Cabin



MDL 4012BV, Cabin, AC



MDL 4518 Crane Barge



MDL 2684LC, T-Top

Boats Are Available IN STOCK Up To 40 Feet Long • Mercury, Honda, and Yamaha Packages Also Available
Offers: Jet Drives, Diesel Applications, Shaft Logs Applications

Phone: 1-866-238-8353 • Fax: 1-985-384-5146 • 1015 Stephenville Road • Morgan City, LA 70380

Email: info@scullyboats.com • www.scullyboats.com

Available On GSA Contract

Acadian
Allison Marine Gear Specialist

Marine Transmission & Electrical
217 Burgess Dr., Broussard, LA 70518
PH: (337) 837-3636
Fax: (337) 837-3633
www.acadianmarinetransmission.com

Repair / Exchange / Outright
Allison M & MH Transmissions
M, MH, Twin & Quad Units
Repair / Parts
Twin Disc & ZF Transmissions
Repair / Exchange
New Hydreco Pump & Eaton Pumps

**A & D SHIPYARD
BROOKLYN NY
718-404-4285 (HAUL)**

**Z
1
8
4
0
4**

**H
A
U
L**

Brooklyn's
First
120 Ton Lift
Servicing
Your Complete
Shipyards Needs
Hauling
Painting
Welding
Shaft & Prop Work
50 Years of Experience

MARINE FUEL TANKS

www.speedytanks.com

ANY SIZE - ANY SHAPE

ALUMINUM TANKS FOR GAS OR DIESEL
TESTED & BUILT TO U.S.C.G. SPEC.





VISA MasterCard

UPS DAILY

5 DAY TURNAROUND

ATLANTIC COASTAL WELDING INC.
[800] 434-TANK (8265)
OR FAX A DRAWING 1-732-269-7992

Vessel Name: "Capt. Charlie" • Year: 1995 • Hull: A1 Design
LOA: 65' • Beam: 19' 7" • Fuel: 900 Gal. • Water: 450 Gal.
Engines: Twin Cummins 2013 QSL9 405 HP w/176 Original Hours
Notable Information: Current USCG COI for 25 Passengers
Asking Price: \$349,900 • (409) 939-5524
Email: jbutler@galatiyachts.com

CREWBOATS FOR SHORT & LONG TERM CHARTER

Available for Dredge Assist




Located East Coast - Cert. To 100 NM - Vessels 48' - 115'
Contact: Capt. Dave Brown (302) 430-6876
dave@delawarebaylaunch.com



Hydraulic Marine Systems

Hydraulic Thruster Manufacturer




Self-propel your barges & sectional Floats

Featuring
VOLVO PENTA

Available Now Refurbished / Used Thrusters
See Website For Details
1-386-734-0020
www.hydraulicmarinesystems.com

www.CertifiedSales.com
www.YachtSalvage.com

CSI is now accepting boat DONATIONS for 501C Charities

	
89' Castagnola 2001 (Brokerage) YS200032	42' Carver 1986 (Donation) YS200047
	
52' Tayana 1998 (Brokerage) YS200025	25' Blue Fin 2004 (Brokerage) YS200014



That time of year is right around the corner, so start planning now!
We're one of the Top Yacht Transporters on the East Coast.
www.CertifiedMarineTransport.com

FOR BEST RESULTS PLEASE GO TO www.Yachtsalvage.com, then LISTINGS, then contact assigned sales person and office
Warwick, RI (401) 732-6300 * Charleston, SC (843) 789-0357
Mendon, MA (508) 478-0200 * St. George, SC (843)-563-9199

FOR SALE: 135' BREAUX BROTHERS CREWBOAT



US Flag • (4) Detroit Diesel 12V71 TI Main Engines • (4) Twin Disc 514 2.51 Gear Boxes
 (2) 40 KW Generators • (2) 50 Man Inflatable Life Rafts • New A/C Units • New Deck Boards
 New Galley Equipment • New Seats • Worldwide Delivery Available
NEW COI 1/2020 • ALL CERTS CURRENT • PRICED TO SELL!
Call Or Email: (985) 518-1656 • john@yellowfinmarineservices.com

58' BURGEEON

**Ex-Army Corp Vessel
 All Aluminum**



Vessel Is In Good Running Condition & Currently Being Operated In Pensacola, FL
Price Just Reduced For Fast Sale • \$175,000 OBO
 For Additional Information Please Call Mike Majewski: (850) 221-5138
 or Email: kclmsales1@gmail.com • Website: www.kclmsales.com



VESSEL TYPE: ALUMINUM MONO HULL FERRY

Location:	British Virgin Islands
LOA (ft):	78.9'
Beam (ft):	18'
Draft (ft):	6'
Built:	1972
Classification:	USCG
Builder:	Breaux Bay Craft
Fuel Capacity (L):	4000
Fresh Water Capacity:	1000
No. of Passengers:	122
Air Conditioning:	None
Engine Make:	2 x 12V C32 Caterpillar
Generator:	2 x Northern Lights 25kw
Engine Power (kW):	1600
Propulsors:	2 x Propellers (Damage)
Cruise Speed (knots):	25

Asking Price: \$250,000 Or Best Offer

This vessel was damaged in the storm September 6, 2017. It was in the process of being refitted before the storm. So we have new seats, new main power breaker, new 12" and 20" engine room blowers. Both engines were rebuilt before the storm and never put into use. During the storm the propellers and rudders were damaged. More details on request.

**For More Information
 Contact: (340) 690-0035**

EXCESS, REMNANTS, OVER-RUNS & DISTRESSED

**ROPES / LINES
 ROPES / LINES
 ROPES / LINES**

From 1/8" to 3" Diameters
 Twisted, Braided, Plaited Nylon, Polyester,
 Polydac Combinations, Polypropylene, Bungee Cords



From Minimum of 20' to Maximum of 200'
 Mixed In Gaylords Up To 1,000 Lbs. Net At \$0.65/Lb

DIRECT FROM THE MANUFACTURER!

**CALL: (708) 385-8393 &
 PLEASE LEAVE A MESSAGE
 12010 S. PAULINA STREET,
 CALUMET PARK, IL 60827**



Pre-Owned Boat Lifts For Sale



Marine Travelift 1984 - 70 BFM
 140,000 Lbs. Capacity • 20' ICW • 23' ICH
 Diesel Engine • Dual Power Sling Adjust
 4,000 Lb. Jib Crane With Boom
 2 Speed Hoist
 Ready To Work • Good Condition



Marine Travelift 1997 - 50 BFM
 110,000 Lbs. Capacity • 22' ICH
 Beam Spacer Included, Allowing For Any
 Specified Inside Clear Width Between 19' & 25'
 2 Speed Hoist • New Wire Rope
 Regular Maintenance By Kendrick Factory
 Authorized Tech



Marine Travelift 2000 - 50 BFM
 110,000 Lbs. Capacity
 24' ICH (Includes Extra 4')
 Beam Spacer Included, Allowing For Any
 Specified Inside Clear Width Between 19' & 25'
 2 Speed Hoist • New Wire Rope
 New Engine With Only 1,470 Hours Currently

866-744-9921 • 604-644-4498 • Email: info@kendrickequipment.com

FOR SALE - 1990 TRUCKABLE PUSH BOAT



REDUCED! MAKE OFFER!

36' x 14' x 4' STEEL HULL • TWIN DETROIT 671
450 HP • GEARS-MG 507 • RATIO 2.54:1
40 KVA LEROY SOMER GENERATOR
HYDRAULIC STEERING
WITH ELECTRIC / HYDRAULIC
BACK UP STEERING
+ MANUAL STEERING BACKUP
15 TON WINCHES • EXTERNAL FUEL SHUTOFF
FRESH WATER HOLDING TANK
FIRE DETECTION SYSTEM IN ENGINE ROOM

CALL NOW - (865) 604.7767 or (865) 776.2888

SCRUTON MARINE
COMPLETE MARINE
BROKERAGE

Contact MJ at (519) 583-1636
or sms@scrutonmarine.com
See us on the web at
www.scrutonmarine.com
BARGES • WORK BOATS
TUGS • ENGINES • GEARS

FOR SALE OR RENT



Army Bridge Boats
27' x 8' Twin Diesel GM 353,
3-1 Trans, 25 x 19 Prop.
For Location & Price
(916) 539-8199 or
osmsinc@gmail.com
Trailers May Be Available Separate

100% Stainless Steel Construction

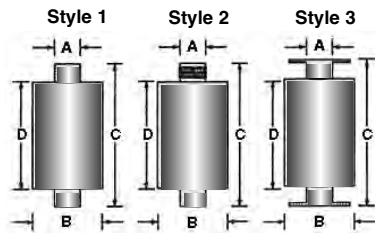
This Muffler can go to HELL
and take the HEAT!!!

www.the-flex.com

Exhaust System Silencers Style 1-2

PART #	A	B	C	D	PRICE
AIM-03	3.5"	6.625"	15"	9"	\$400
AIM-04	4.5"	8.625"	18"	12"	\$450
AIM-05	5.563"	10.75"	21"	15"	\$500
AIM-06	6.625"	12.75"	24"	18"	\$600
AIM-08	8.625"	16.00"	30"	24"	\$785
AIM-14	4.5"	8.625"	22"	16"	\$575
AIM-15	5.563"	10.75"	26"	20"	\$675
AIM-16	6.625"	12.75"	30"	24"	\$900
AIM-18	8.625"	16.00"	38"	32"	\$1,150
AIM-24	4.5"	8.625"	46"	40"	\$1,000
AIM-25	5.563"	10.75"	56"	50"	\$1,350
AIM-26	6.625"	12.75"	66"	60"	\$1,750
AIM-28	8.625"	16.00"	86"	80"	\$2,500
AIM-34	4.5"	10.75"	46"	40"	\$1,295
AIM-35	5.563"	12.75"	56"	50"	\$1,710
AIM-36	6.625"	16.00"	66"	60"	\$3,345
AIM-38	8.625"	20.00"	86"	80"	\$5,500

Call for price of Style 3



CUSTOM FABRICATION
AVAILABLE

NOTE: Above is styles 1 & 2 only!

Carbon Steel Flanged Pipe Stainless Flexible Exhaust



Part #	HOSE I.D.	Flange Outside Dia.	Flange Inside Dia.	Number of Bolt Holes	Bolt Hole Dia.	Bolt Circle	Price
FF-1	1.0"	4 1/4"	1.36"	4	5/8"	3 1/8"	\$60
FF-125	1.25"	4 5/8"	1.70"	4	5/8"	3 1/2"	\$65
FF-150	1.5"	5"	1.95"	4	5/8"	3 7/8"	\$75
FF-2	2.0"	6"	2.44"	4	3/4"	4 3/4"	\$100
FF-250	2.5"	7"	2.94"	4	3/4"	5 1/2"	\$130
FF-3	3.0"	7 1/2"	3.57"	4	3/4"	6"	\$150
FF-4	4.0"	9"	4.60"	8	3/4"	7 1/2"	\$240
FF-4L	4.0"	9"	4.60"	8	3/4"	7 1/2"	\$295
FF-5	5.0"	10"	5.66"	8	7/8"	8 1/2"	\$295
FF-5L	5.0"	10"	5.66"	8	7/8"	8 1/2"	\$350
FF-6	6.0"	11"	6.72"	8	7/8"	9 1/2"	\$300
FF-6L	6.0"	11"	6.72"	8	7/8"	9 1/2"	\$375
FF-8	8.0"	13 1/2"	8.72"	8	7/8"	11 3/4"	\$380
FF-8L	8.0"	13 1/2"	8.72"	8	7/8"	11 3/4"	\$470
FF-10	10.0"	16"	10.88"	12	1"	14 1/4"	\$500
FF-10L	10.0"	16"	10.88"	12	1"	14 1/4"	\$615
FF-12	12.0"	19"	12.88"	12	1"	17"	\$540
FF-12L	12.0"	19"	12.88"	12	1"	17"	\$685

Carbon Steel Beveled Pipe Stainless Flexible Exhaust



PRODUCT #	HOSE I.D.	PIPE O.D.	PRICE	GASKETS	PRICE
WW-1	1.0"	1.315"	\$40	(FULL FACE, 1/16" THICK UP TO 6", 1/8" THICK ABOVE)	1" \$12.00
WW-125	1.25"	1.660"	\$45		2" \$18.00
WW-150	1.5"	1.900"	\$50		3" \$22.00
WW-2	2.0"	2.375"	\$55		4" \$26.00
WW-250	2.5"	2.875"	\$70		4" CAT \$24.00
WW-3	3.0"	3.500"	\$90		5" \$29.00
WW-4	4.0"	4.500"	\$120		5" CAT \$26.00
WW-4L	4.0"	4.500"	\$160		5" CUMMINS \$26.00
WW-5	5.0"	5.563"	\$130		6" \$35.00
WW-5L	5.0"	5.563"	\$190		6" CAT \$34.00
WW-6	6.0"	6.625"	\$140		8" \$40.00
WW-6L	6.0"	6.625"	\$210		8" CAT \$38.00
WW-8	8.0"	8.625"	\$200		10" \$85.00
WW-8L	8.0"	8.625"	\$300		10" CAT \$85.00
WW-10	10.0"	10.750"	\$310		12" \$99.00
WW-10L	10.0"	10.750"	\$440		12" CAT \$96.00
WW-12	12.0"	12.750"	\$450		14" \$112.00
WW-12L	12.0"	12.750"	\$600		16" \$148.00
					18" \$165.00

{ L SERIES IS RECOMMENDED }
FOR ENGINES WITH TURBO

MUFFLER WRAP

PART #	PRICE
TIBAIM-03	\$120
TIBAIM-04	\$155
TIBAIM-05	\$230
TIBAIM-06	\$265
TIBAIM-08	\$420
TIBAIM-14	\$185
TIBAIM-15	\$285
TIBAIM-16	\$345
TIBAIM-18	\$550
TIBAIM-24	\$275
TIBAIM-25	\$550
TIBAIM-26	\$695
TIBAIM-28	\$1,105
TIBAIM-34	\$475
TIBAIM-35	\$640
TIBAIM-36	\$995
TIBAIM-38	\$1,505

THERMAL INSULATION BLANKET

PART #	PRICE
TIB-3	\$80
TIB-4	\$80
TIB-5	\$90
TIB-6	\$105
TIB-8	\$120

BULK THERMAL INSULATION BLANKET
18" WIDE X
RUNNING FOOT
\$55.00 PER FT.

AIM has set the standard for reliability, durability & service for over 35 years!
Run silent, Run deep.

We Stand by our work!

AIM
APPLIGATE INDUSTRIAL MATERIALS INC.

P. O. Box 428, Baton Rouge, LA 70821-0428
1-225-336-4116 • fax 1-225-336-4317
1-800-843-3539 • www.the-flex.com
E-mail: info@The-flex.com

1-800-THE FLEX

AIM IS NOW AN EMPLOYEE OWNED BUSINESS!

Most items are shipped within 24 hours. We offer shipping by Fed-Ex, US Postal Service, Motor Freight, Greyhound Package Express or Will Call. Easy payment options including: Visa, Mastercard, American Express, Discover, C.O.D. or 30 day invoicing with approved credit.

New 24" Wesmar SS Dual Prop



Counter-Rotating Bow Thruster

INCLUDES: Thruster, 2 Props, Leg, Accessories. Does NOT include Motor.
\$28,000 Retail • Asking \$20,000 OBO
(340) 776-2078 • Email: info@subbasedrydock.com



Scarano 65' x 14' Water Ferry Launch



Scarano 80' x 16' Motor Launch



115' PV Adirondac
350 Passenger Capacity



Adirondack 65 LOD

SCARANO BOATBUILDING, INC.

Port of Albany, Albany NY 12202
Custom Design Construction

518-463-3401 • FAX 463-3403 • www.scaranoboat.com

Ron Cooper
Catamarans
THE MONEY MAKERS

WE BUILD ONE OF THE MOST FUEL EFFICIENT PASSENGER VESSELS IN THE WORLD



63' x 24' Catamaran,
base price \$699,000
plus power,
stability test for 200

The perfect vessels for:
• Day/Snorkel Trips
• Sightseeing
• Booze Cruises
• Cruise Ship Tenders
• Over 130 Built



All New 47' x 16' Catamaran • USCG Stability test for up to 70 passengers
• Introductory base price \$199,900 plus power • Economical and very stable
• Glass bottom available • Set up for beach loading • Fast delivery

Call Ron Cooper (727) 804-6389 www.coopermarine.com



INDUSTRIAL & MARINE GENERATORS, ENGINES & EQUIPMENT

Telephone:
713-804-2510



PRICES SLASHED UP TO 71%!
MARINE ENGINES BEING LIQUIDATED

DESCRIPTION	AS-IS PRICE	ITEM LINK
Low Hour Caterpillar C32 ACERT 1900HP Tier 3 Diesel	\$117,000 \$63,900	16050
Good Used Caterpillar D399 TA 1125HP Diesel	\$14,000 \$9,900	15274
Rebuilt Caterpillar 3412 DIT 540HP Diesel	\$69,500 \$49,900	14834
High Hour Runner Caterpillar 3412 DIT 540HP Diesel	\$27,500 \$16,900	15786
High Hour Runner Caterpillar 3304 DIT 127HP Diesel	\$4,000 \$2,900	15477
High Hour Runner Caterpillar 3412 DIT 540HP Diesel	\$19,000 \$16,900	15787
High Hour Runner Caterpillar 3412 DIT 300HP Diesel	\$15,000 \$13,900	15842
High Hour Runner Caterpillar 3412C DITTA 1300HP Diesel	SOLD	15993
High Hour Runner Caterpillar 3412C DITTA 1300HP Diesel	SOLD	15994
Core Caterpillar C32 1652HP Tier 1 Diesel	\$19,000 \$15,900	16028
Good Used Caterpillar C32 1652HP Tier 1 Diesel	\$45,000 \$42,900	16029
High Hour Runner Cummins KT38-M 800HP Diesel	\$19,000 \$17,900	16249
Good Used Cummins KTA38-M2 1350HP Diesel	\$39,000 \$33,900	16531
New Surplus Caterpillar C32 ACERT 1450HP Diesel	SOLD	16574

For more information or to make an offer contact us at
713-804-2510 or sales@depco.com

MARINE GEARS BEING LIQUIDATED

DESCRIPTION	AS-IS PRICE	ITEM LINK
Good Used Twin Disc MG518-1 4.48 - SPIN TESTED	\$12,000 \$10,900	15417
Good Used Twin Disc MG516 4.04 - SPIN TESTED	\$8,900 \$7,900	14197
Good Used Twin Disc MG520-1 4.03 - SPIN TESTED	SOLD	15407
Good Used Twin Disc MG5114 DC 4.86 - SPIN TESTED	\$8,000 \$6,900	15644
Good Used Twin Disc MG509 4.5	\$6,000 \$4,900	15643
Good Used Twin Disc MG509 4.5 - SPIN TESTED	\$6,000 \$4,900	15357
Good Used Twin Disc MG509 4.5 - SPIN TESTED	\$6,000 \$4,900	15325
High Hour Caterpillar 7231 4.67	\$4,900 \$3,900	14772
High Hour Caterpillar 7231 4.67	\$4,900 \$3,900	14747
New Surplus ZF ZF W650 4.06	\$4,900 \$3,900	14317
Good Used Twin Disc MG518 2 - SPIN TESTED	\$3,900	09170
Good Used Other GUW 355/1293 3.5	\$2,900	14113

For more information or to make an offer contact us at
713-804-2510 or sales@depco.com

MB BROKERAGE CO.
Winches • Barges
Boats • Cranes
Vessel Charters & Storage
Chris Gonsoulin, Owner
(850) 255-5266 | cgonsoul@gmail.com
www.mbbrokerage.net




**Equipment For Sale
Tugs and Barges**
Central Boat Rentals, Inc
(985) 384-8200
Centralboat.com

46' WESMAC SPORTFISH 2005

Cat C18 803 HP with 1,400 hours. Extended warranty to 3,500 hours, or March 2021. 18-20 knot cruise at 80% load, 750 gallon fuel. 9K generator, (3) stations, (4) plotters, (2) heat pumps, water maker, 600 pound ice maker, (3) fighting chairs, Rupp outriggers.
**\$575,000 • Call Bill:
(252) 241-2651 or
a1a.bvs@gmail.com**

**Refurbished 1999 Taylor TSE-120
Marina Forklift**

19,500 lbs. at Load Center 48" Height
11,100 lbs. at Load Center 408" Height
20' Forks • 34' Max Height
\$90,000.00
Contact: 850-747-4999
jeremy@watson-landings.com

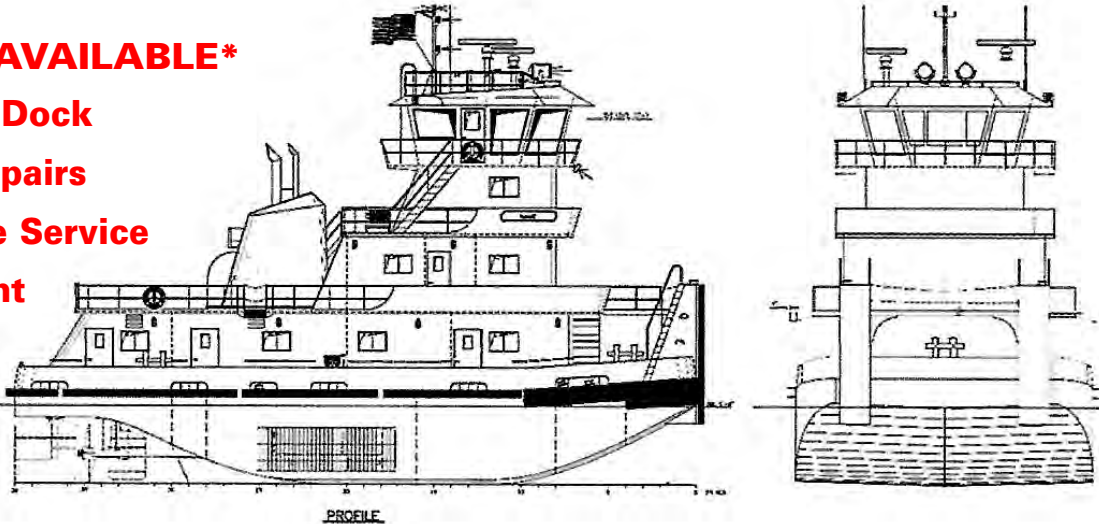
  
JOHNSON DIESEL SERVICE
Dealer for Cummins, Detroit, & Volvo Marine & Industrial Engines, Power Units and Generator sets. New, exchanges and used engines. We carry exchange and new Twin Disc and ZF Marine transmission and all parts necessary for overhaul's.
Phone (228) 392-1311 Fax (228) 392-0096
Email: johnsondiesel@cableone.net • Website: JohnsonDiesel.com

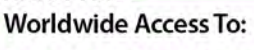

265 Company Canal Rd. Bourg, LA 70343
Robert Boudreaux Jr, Owner
Office: 1(985) 594-5060 Cell: 1(985) 688-6500
WWW.DIVERSIFIEDMARINESERVICE.COM


- UNDER CONSTRUCTION
- 78'x34'x10'10" PUSHBOAT
- CUMMINS QSK38, 2000HP
- TWIN DISC 540 7:1
- TIER - 3
- SUB - M COMPLIANT (FOR PURCHASE)

SERVICES AVAILABLE

- 1500 T Dry Dock
- Top Side Repairs
- 150 T Crane Service
- Blast & Paint



**SAVE MONEY ON
MARINE PARTS**
MyMarineTracker Has 
Worldwide Access To:
• Engines & Gears • Deck Machinery
• Generators • Much More



Put Our 25 Years Of Industry Experience To Work For You.
MY MARINE TRACKER
ENGINES, GENSETS, EQUIPMENT, AND MORE
Call (608) 783-2766 or
Visit MyMarineTracker.com

www.Sightseerboats.com
Quality and Affordability
All Boats Built To USCG Partially Protected Criteria
Eco-Tour, City Tour, Party Cruise, Water Taxi's Boats
25', 30', 35', 40', 45' & 50' Lengths x 10, 12, & 14 Ft. Widths



CHARLESTON PARTY CAT

All Aluminum Construction Means Lower Operational Costs & Requires Smaller HP Motors. Up to 49 Passenger • Multiple Route COI's Available



TAMPA BAY FERRY & TAXI

Fiberglassed Deck • Shallow Running Hulls
Now Taking Orders With 12-16 Week Delivery




40' • 42 Passenger 35' • 36 Passenger
"V" Bottomed Catamaran Hulls
FACTORY DIRECT SERVICE & PRICING
BUILT TO MEET YOUR SPECIFIC APPLICATION & SITUATION
Full Turnkey Boats Starting Under \$100K
Call to Discuss Your Project & For Free Quotation
727.856.6900


METAL SHARK
METALSHARKBOATS.COM



36' Courageous



38' Defiant



75' Endurance

337.364.0777 • sales@metalsarkboats.com

Boats & Harbors**Maximize Your Profit - Minimize Your Cost!!**
CLASSIFIEDSExperience
The Selling Power
of The
Yellow Sheet!Place Your Ad (931) 484-6100 OR Email: Tlewis@boats-and-harbors.com OR Submit Online: www.boats-and-harbors.com**★ CRANES FOR SALE**

BUCYRUS ERIE Super 30-B Crawler, set up with generator for magnet operation, 471 engine air controls. \$10,000. (516) 527-4951

LINKBELT LS-98 CRAWLER CRANE Full counter weights, complete boom replaced / repair by certified boom service 2014, \$34K, documentation available. Asking \$75,000 OBO. Nick (914) 934-9612

CRANE LIQUIDATORS
BUY/SELL/TRADE**CRANES & CRANE BOOM****Cranes, Crane Boom, Crane Parts****Crane Attachments For Sale****CRANE BOOM REPAIR/CRANE PARTS****Call or Email For All Your Crane,****Crane Parts or****Crane Equipment Needs!****WE BUY CRANES & CRANE BOOM****OFFICE: 281-440-6698****EMAIL:****SALES@CRANELIQUIDATORS.COM****www.CRANELIQUIDATORS.com****CRANES, CRANE BOOM & JIB SALES**WEST RIVER CRANES. (1) American 999C Crawler Crane, year 1963, 130' boom, S/N 8672, \$50,000. (1) American 50 Ton Crawler Crane, year 1958, 130' boom, model 799C, S/N GS 4227, \$40,000. (1) Lima Crawler Crane, 130' boom, S/N unknown, \$50,000. (1) American Crawler Crane 34 ton, year 1955, 100' boom, model 750C, S/N GS 1646, \$25,000. (1) LS 98, 23 ton, year 1962, model LS-98, 70' boom, S/N 9LR2079, \$20,000. (1) P&H Omega 18 ton R.T., year 1977, 62' main boom, 22' Jib, S/N 44295, \$18,000. (410) 867-1818
jeff@smithbarge.com**★ HOIST/WINCHES FOR SALE**

(2) PULLMASTER 25 Hydraulic Winches, (2) Pullmaster boom winches, and other items. Going out of business sale. (956) 455-1554

GLOBE HOIST COMPANY Working Vessel Tow winch for sale, \$50K or best offer. Markey electric tow winch, double Capstan with manual brake for sale, \$5K sold as is. (541) 269-8600
Char@billetermarine.com

STROUDSBURG HYD WINCH 515DD, Winch \$1,500. Boothbay, ME. 04537. Myron McLellan (207) 633-5080

★ INSTRUCTION

BECOME A PROFESSIONAL Marine Surveyor, commercial and recreational courses. Navtech US surveyors nationwide home study guide. Survey forms, check lists, USCG NVCS, accreditation. USCG approved for fishing vessels. Advertise your boating business with us on the web! Toll-free: 1-(800) 245-4425.

★ VACATION RENTALSKEY LARGO COTTAGES Bay Front Sun Set Cove. Free w/ cottage: Paddleboards, kayaking, sailing, bicycles, fishing, snorkeling. Also available: Diving, sunset sails, ECO tours, sailing lessons, pirate ship rides. (305) 451-3438
Email:
keylargocottages@keylimesailingclub.com**★ MARINAS FOR SALE**SOUTHERN MARYLAND Full-Service Marina on 16 acres zoned Commercial Marine features 66 slips, boat launch ramp, unlimited land storage, large shop plus four residential rentals, 25 ton Marine Travelift, seasonal restaurant, and a full inventory of shop and marina equipment. Located on the Lower Potomac, quick access to Chesapeake Bay. Unlimited upside potential with development entitlements. \$895,000. Contact Sales Associate Nick Stellway at (240) 298-8986 or
nickstellway@gmail.com**★ WATERFRONT PROPERTY FOR SALE**

KEY WEST COMMERCIAL Waterfront Property and Building with rights to bay bottom. Dock with potential for 10 boat slips. \$1,600,000. (347) 610-9439

★ DRYDOCKS FOR SALE

65'x45'x5' DEEP DRY DOCK, (4) Years Old, self raising & lowering. Galveston Bay Area. \$175,000. (281) 660-8808

★ MISCELLANEOUS FOR SALE

(2) VERINALIFT DUAL Stage Mufflers. 12 inch exhaust, new, never used. \$1,200.00 each. (757) 287-4153

MARINE WAREHOUSE Full of Parts & Surplus Equipment. (9) 10' Turbo marine freezer plates, very good condition. Going out of business sale. For inventory, call (956) 455-1554.

MISCELLANEOUS PIECES from 80' Shrimp Boat. 1271 engine w/ 514 Twin Disc 6:1. Keel cooled setup. Industrial front mount PTO clutch. (3) Drum fish winches. 5'6" diameter (4) blade propeller. 20'x4" stainless steel propeller shaft. Port holes & miscellaneous pieces. John (516) 527-4951

TAKE-APART FRAMING SQUARES. These are resistant to salt water corrosion. Packaged and ready to mail.
www.take-apartframingsquare.comRADIO ANTENNA TOWER 70' High, Base mount with all support wires. \$750. For info, email Gary at:
atlantisdiving@sbcglobal.net**DON'T LET YOUR BUSINESS BECOME SHIP WRECKED!**

We've been helping people in the marine industry since 1958 & we want to help you and your business succeed too! Contact us today to see how we can help!

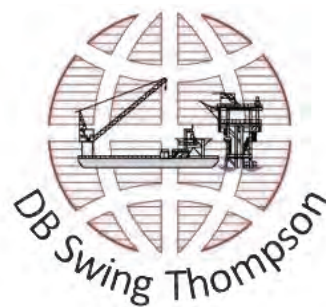
P: 931-484-6100 • F: 931-456-2337

Email: tlewis@boats-and-harbors.comUSED GM ENGINES For Sale. Used 671's, 8V71's, V12's, V16's, and used pumps & generators. Large or small starting @ \$2,000. For pictures and specs & more marine misc. equipment, call (956) 943-2648 or visit our
website: www.marineservice.us

USED REXROTH AIR CONTROL Systems. Many chrome handle HD-2-FM controller valves, pilotair valves, shuttle valves, actuators, linear positioners, and logic masters. Call (860) 848-3032

★ BUSINESSES FOR SALE**GREAT LIFESTYLE. Key West Fishing Business est. 1984, turnkey, includes 40' Pacemaker Sport Fisher, 43' Hatteras Liveaboard (across the street), all city leases, 16' Bayliner, service bus, website & marketing in place. Will train, money maker. (305) 731-3752**

LOBSTER FISHING OPERATION For Sale. 300 Traps, permit, 30 ft. Michelle Cove Down East boat, 21 ft. custom aluminum boat, 14 ft. custom aluminum boat, and all accessories. \$240K OBO. Payment options available. Will sell all or separate. (310) 487-6467.

MARINE TOWING & SALVAGE Company, Nationally Affiliated Franchise, very profitable, protected area with equipment and two fully equipped quick emergency response vessels. New York area. No Brokers please. (917) 921-5989OPERATING RESTAURANT For Sale in Myrtle Beach, S.C., seats 300, (2) kitchens. Owner retiring. Turnkey operation. Contact Ted (843) 267-3473 or
mrfish@mrfish.com**★ BUSINESS OPPORTUNITIES**THE TOURISM DIRECTORS of the 5 Harbor Towns of the Albemarle Sound (NC) will help create an outstanding business opportunity for a Dinner/Cruise/Tour Boat during the spring/fall season of 2020 or 2021. Dinner for 50 Plus, draft less than 6 ft. Please respond to: Peter Thomson, Harbor Town Project Manager, (252) 267-4154
pysue@gmail.com**★ REAL ESTATE FOR SALE**COMMERCIAL BARGE TERMINAL, 165 Willow Drive, Williamston, NC 27892. Commercial bulkhead on Roanoke River in Williamston, NC. 5.57 acres with possibility to acquire additional acreage. On-site scale house/office & (2) storage buildings. For more information: (804) 512-0796 or
cbb@americanretirementhomes.net**★ HELP WANTED****Turnkey Offshore Project Services, LLC****DERRICK BARGE TOPS, LLC**

Now Interviewing Qualified:

- Barge Superintendents (10 years minimum experience)
- Deck Foreman (10 years minimum experience)
- Chief Engineer (5 years minimum experience)
- Tower Operators (5 years minimum experience)
- Deck Lederman (2 years minimum experience)
- Engineers (Marine Mechanics/Electricians) (18 months minimum experience)
- Able Body Seamen/Rigger (18 months minimum experience)
- 6 GR Certified Inner Shield Welders (18 months minimum experience)
- Barge Admin and Medics (18 months minimum experience)
- Big Rig Operators (10 years minimum experience)
- Lil Rig Operators (10 years minimum experience)
- Mechanic/Operator of Abrasive Cutting Tool (5 years minimum experience)

Send resume to

marcus@hopeservicesinc.com or call
Marcus @ (985) 563-7801

Resumes can also be mailed to:

TOPS, LLC.
P. O. BOX 9157
HOUMA, LA 70361**2003 46' Newton**

Fully Loaded

Call Gary: (305) 393-1415

60' x 18' USCG 59 PASSENGERS & CREW

2GM 8V71 (Rebuild March 2018), Dual Electronics (VHF, Radar, Plotter), 2019 Simrad 4G Radar and Plotter with Side Scan. Drydocked in 12/18/2019

\$125,000 • (732) 616-8378**35 Ton Acme Marine Travel Lift**

Contact Stephen: (206) 953-9030

Looking For A**Of A Good Deal?**

Look NO More!

www.Boats-and-Harbors.com

Has Just What You're Looking For!

We Have The Marine Industry Covered!

Boats, Engines, Cranes, Dredges and More!

Print Edition Available Upon Request!

NEXT CLOSING DATES**SECOND APRIL ISSUE 2020**DISPLAY AND CLASSIFIED CLOSE
APRIL 3RD (9:00 AM CST)**www.gxport.com**

(901) 424-7003

Memphis, TN 38118

dgoings@gxpdiesel.com

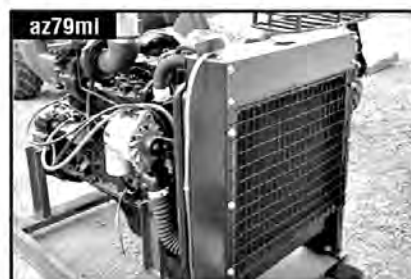
(800) 407-1586

Miami, FL 33147

info@gxpdiesel.com

(305) 916-7871

Español

maria@gxpdiesel.com**GXP Diesel is a worldwide supplier of New/Reman Power Units and Engines, Cummins®, Isuzu®, and Perkins®, etc.****Warehouses located in Memphis, TN & Oakland, CA****Cummins® 4BT 3.9
105 HP Power Unit****New Cummins® 6CTA
260 HP Power Unit****New Cummins® 6BTA 155 HP
Complete Power Unit \$14,999****2018 Isuzu® 4JB1
Complete Power Unit \$10,500*****All manufacturer's names, symbols and descriptions are for reference only.****NO core is required • We ship worldwide • 6 month parts warranty**

BOATS FOR SALE



**2001 • 170' Jet Boat • DP1
(4) Cummins K38 1,350 HP • HM651 Waterjets
Wesmar 150HP Bow Thruster**



**1998 • 145' • (4) Cummins K19 700HP &
(1) K38 1,000HP Powering A HM571 Booster Jet**

ENGINES FOR SALE

New From The Factory



**(7) Caterpillar 3412
825HP Engines**

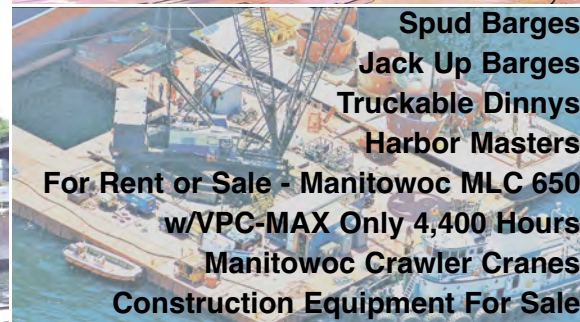


**(3) Caterpillar 3412E
1,200HP Engines
With MG 5202 SC Gears**

**FOR MORE INFORMATION
CONTACT: (800) 521-5835
www.candyfleet.com**

Marine Equipment Rentals

S-70 Flexi Floats & Accessories



**Spud Barges
Jack Up Barges
Truckable Dinnys
Harbor Masters
For Rent or Sale - Manitowoc MLC 650
w/VPC-MAX Only 4,400 Hours
Manitowoc Crawler Cranes
Construction Equipment For Sale**



**Chris Jarvais
207 679 2359
cjarvais@cianbro.com**

CIANBRO

HYDRO-SLAVE

★ SAME DAY SERVICE ★

QUALITY MARINE HYDRAULIC EQUIPMENT

STANDARD BOOM WINCH



SPECIFICATIONS

PULL - EMPTY SPOOL - 24 CID MOTOR
12 GPM @ 1500 PSI - 3580 LBS
12 GPM @ 2000 PSI - 4730 LBS
PULL - FULL SPOOL - 24 CID MOTOR
12 GPM @ 1500 PSI - 1375 LBS
12 GPM @ 2000 PSI - 1813 LBS

BRAKE BOOM WINCH

WIRE CAPACITY

5/16" WIRE - 321 FEET • 3/8" WIRE - 223 FEET
1/2" WIRE - 125 FEET



Available in Both Powder Coated Steel and Stainless Steel

BUY THE BEST - BUY THE ORIGINAL BUY HYDRO-SLAVE

HYDRAULIC PUMP WITH ELECTRIC CLUTCH

2 Bolt B Auxilliary Drive Assembly

2 BOLT B 13 TOOTH MOUNTING FLANGE

- Precision Machined Aluminum 2 Bolt B Mounting Flange
- Precision Machined Steel Pump-Clutch Mounting Bracket
- 250 Ft. Lb. 2 Bolt B 13 Tooth Clutch
- 25VQC High Performance Vane Pump 2 Bolt B 13 Tooth Spline 21 GPM @ 3000 PSI, 1200 RPM
- Dimensions: 13" Long, 8-1/2" Wide



THIS ASSEMBLY IS SUITABLE FOR INSTALLATION ON ANY 2 BOLT B 13 TOOTH DRIVE ADAPTER SUCH AS A TWIN DISC OR ZF TRANSMISSION

WORLD'S LARGEST POT HAULER MFG. FOR OVER 40 YEARS

For more information call: 1-800-747-7550 or visit us on the internet: www.marine-hydraulic-engineering.com

MARINE HYDRAULIC ENGINEERING CO., INC.

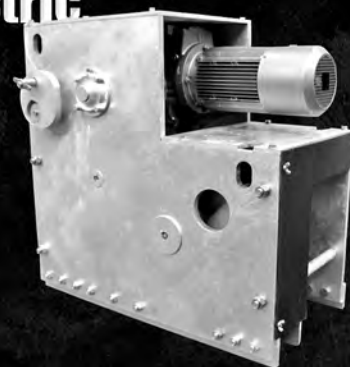
17 Gordon Drive Rockland Maine 04841 Fax: 207-594-9721
Email: marinhyd@midcoast.com

SEAWORTHY DEALS



Electric Capstan

Hydra-Electric Winch

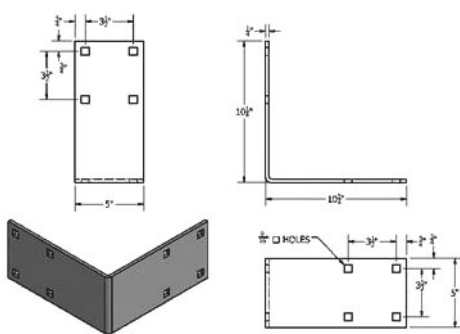


Call Nabrico today for clearance pricing!
615-442-1300

NABRICO
WHAT WE SAY, WE DO.

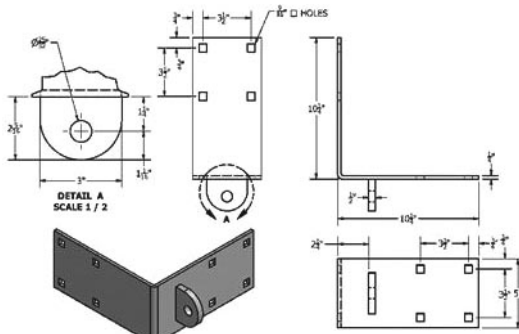
WOOD DOCK HARDWARE

MADE WITH 1/4" HIGH STRENGTH STEEL THEN HOT DIPPED GALVANIZED

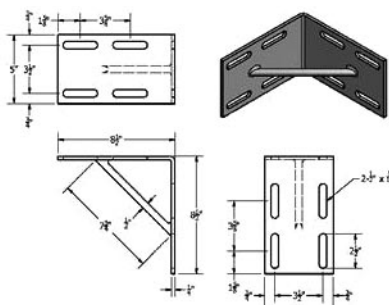


Outside Corner End (H-OCE) is used at the ends of fingers, ends of dock or for swim platforms.

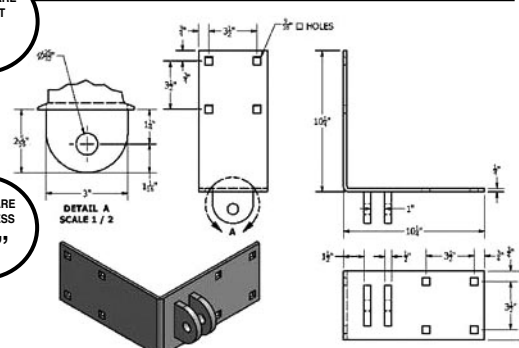
H-OCE Ship#7 \$12.98



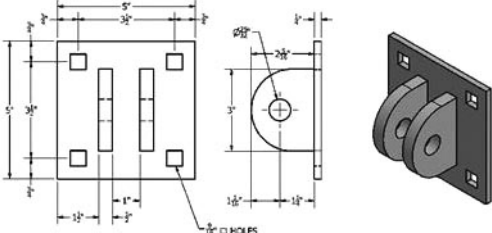
Outside Corner Male (H-OCM) has one 1/2" tab and a hole for a 3/4" bolt or B-PIN. Would be used with an Outside Corner Female (H-OCF) or with a Single "T" Female (H-SF). **H-OCM Ship#8 \$18.71**



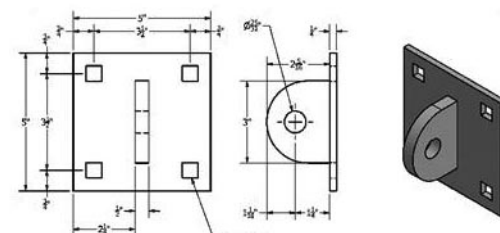
Inside Corner (H-IC) has slots and can be used with 1-1/2" - 3" thick wood. The inside corner sandwiches the wood between the opposite outside corner, keeping bolts from burying themselves in the wood. A corner gusset gives the unit a lot of strength and helps from racking the dock. **H-IC Ship#7 \$13.95**



Outside Corner Female (H-OCF) has two 1/2" tabs and a hole for a 3/4" bolt or B-PIN. Would be used with an Outside Corner Male (H-OCM) or with a Single "T" Male (H-SM). **H-OCF Ship#9 \$22.23**



Single "T" Female (H-SF) has two 1/2" tabs and is used with an Outside Corner Male (H-OCM) or a Single "T" Male (H-SM). Both male and female singles can be bolted to the side of a dock to make finger attachments. They can also be bolted to seawalls to make ramps. **H-SF Ship#4 \$13.04**



Single "T" Male (H-SM) has one 1/2" tab and is used with an Outside Corner Female (H-OCF) or Single "T" Female (H-SF). **H-SM Ship#3 \$9.22**

HARDWARE HEIGHT
5"

HARDWARE THICKNESS
1/4"

WOOD DOCK HARDWARE



MERCO MARINE™

Merco Marine is a manufacturer of boat dock building components and accessories. We were established in 1979. Everything we manufacture is made in the United States, with US Steel, and US workers.

The products shown here are only a small portion of the over 2000 items that we manufacture and keep in inventory for boat dock building and marinas.

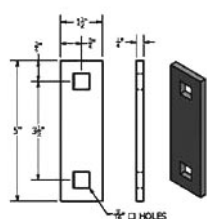
For a complete list of our products check us out on the web at www.mercoboatdocks.com or give us a call at 304-737-3006. You can also request a free copy of our 65 page catalog.

Merco Marine can provide simple parts and pieces for your small pond or lake dock to build on site, or we can build entire marinas from start to finish.

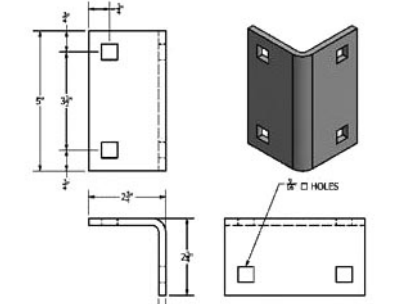
WOOD DOCK HARDWARE WWW.MERCOMARINE.COM 1-304-737-3006

WOOD DOCK HARDWARE

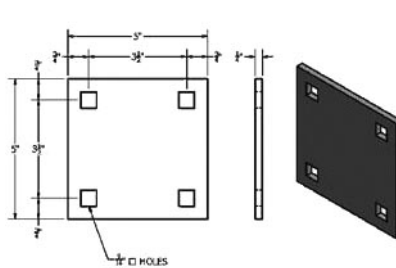
MADE WITH 1/4" HIGH STRENGTH STEEL THEN HOT DIPPED GALVANIZED



Washer Plates (H-W) are used mostly with Angles (H-A) and Cleat Angles (H-CA). The square hole in the plate keeps the carriage bolts from turning when the bolts are tightened. **H-W Ship#1 \$1.24**

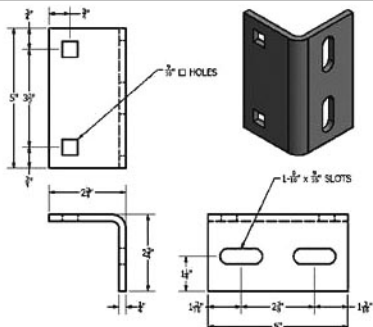


Angles (H-A) used to hold all cross stringers to side stringers using a Washer Plate (H-W). The wood is sandwiched between the steel and creates a solid corner. **H-A Ship#2 \$3.45**



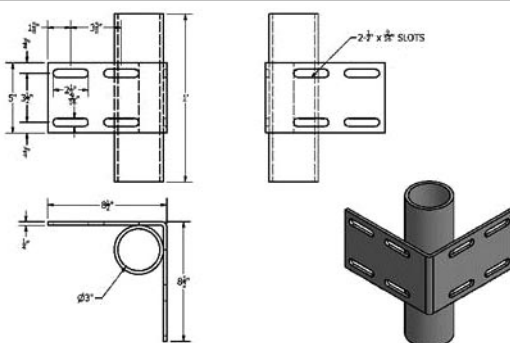
Backup Plates (H-B) are used with Single "T" Males (H-SM) and Single "T" Females (H-SF) for additional strength and to keep bolts from pulling through the wood. **H-B Ship#2 \$3.30**

WOOD DOCK HARDWARE

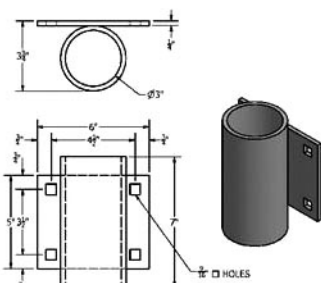


Cleat Angles (H-CA) have slots for various sizes of cleats. The cleat angle is bolted to the side stringer using a Washer Plate (H-W). The cleat is then bolted through the deck into the cleat angle. This keeps the cleat from pulling out of the deck. **H-CA Ship#2 \$4.88**

HARDWARE THICKNESS
1/4"

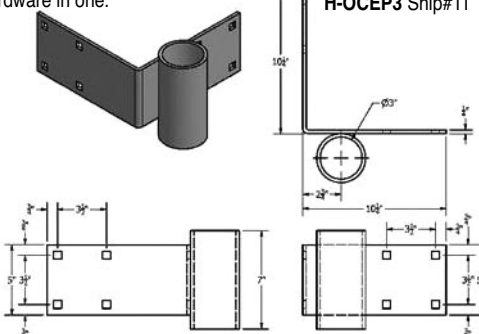


Inside Corners/3" I.D. Pipe Holder (H-IC3) has a 3" I.D. pipe holder welded in place. It can be used to replace a regular inside corner. It will accommodate a 2" I.D. pipe. **H-IC3 Ship#13 \$26.31**



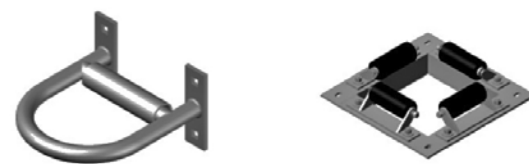
3" Pipe Holder (P-3) can bolt to the side stringer and uses 2" standard pipe to anchor docks in place. **P-3 Ship# 6 \$16.41**

3" Pipe Holder (H-OCEP3) outside corner end with a pipe holder welded to the end. 3" opening for 2" pipe. Save money by getting 2 pieces of hardware in one. **H-OCEP3 Ship#11 \$23.19**



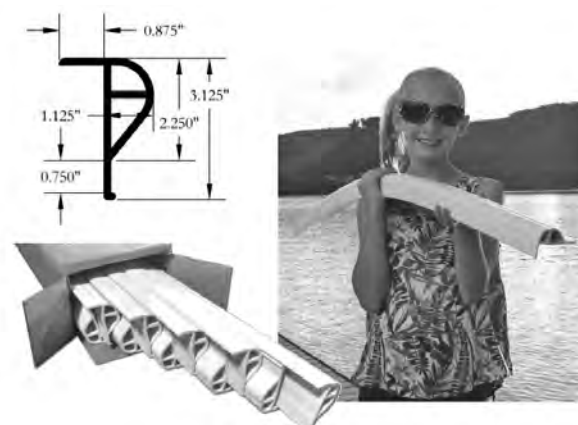
We also stock

PILE GUIDES



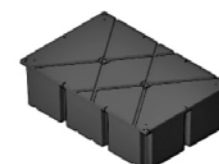
DOCK EDGING

Our **DE-40W** 40' Dock Edging (Shown above) comes 40' per box in easy to install 4' sections (10 per box) and includes 180 stainless ring shank nails.



DE-40W White 40' Length 31 Lbs. \$89.95

FLOAT DRUMS



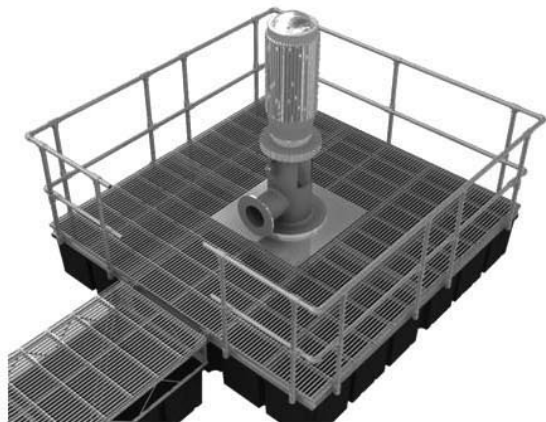
CLEATS



We also stock

SQUARE INTERNAL PILE GUIDES

For replacement roller assembly or parts see page 17.



PUMP PLATFORMS

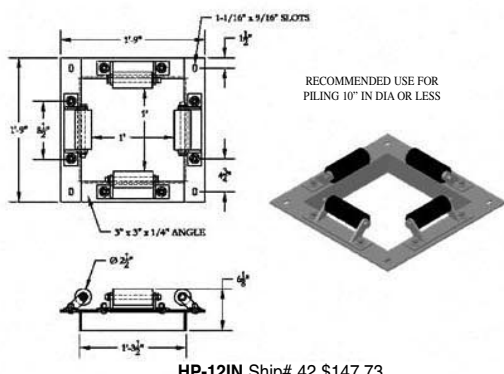


PILE CAPS

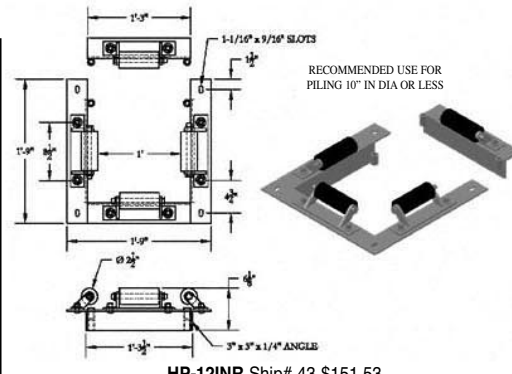


CORNER BUMPERS

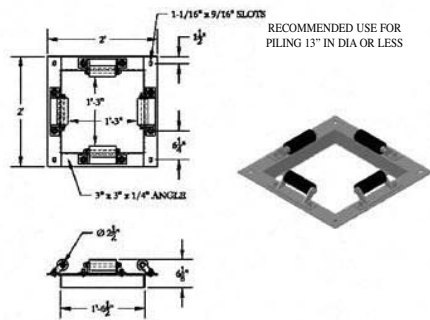
View our complete product line on our website...



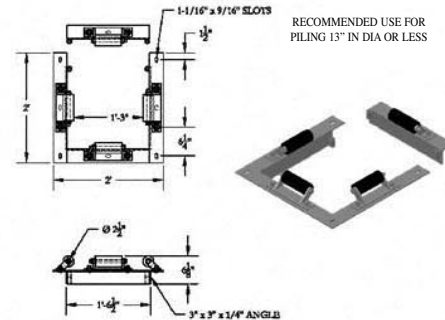
HP-12IN Ship# 42 \$147.73



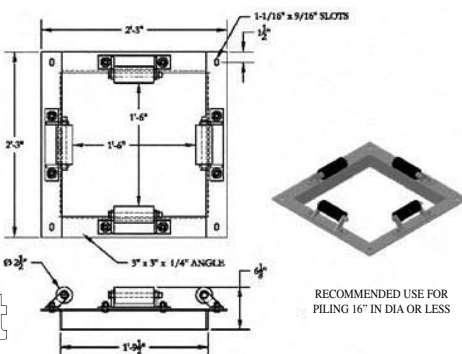
HP-12INR Ship# 43 \$151.53



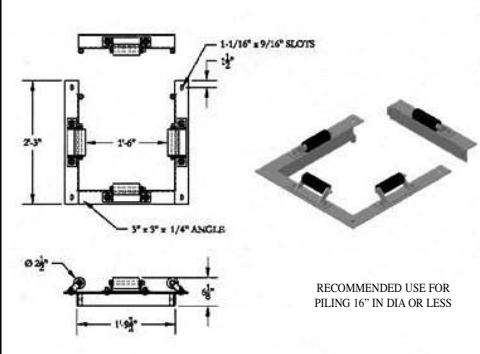
HP-15IN Ship# 53 \$162.37



HP-15INR Ship# 54 \$167.11



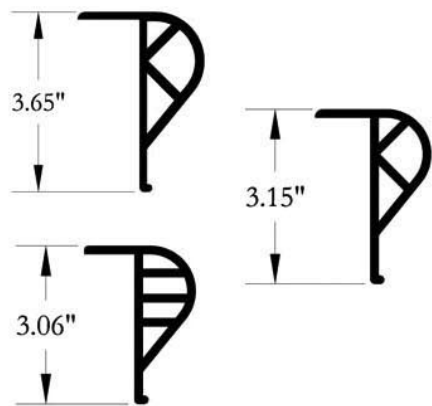
HP-18IN Ship# 58 \$170.98



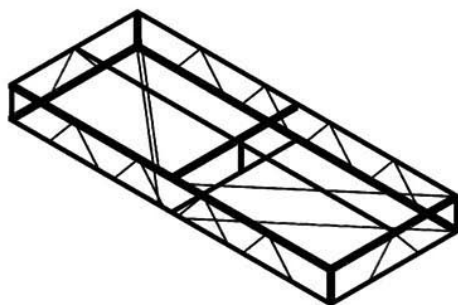
HP-18INR Ship# 59 \$175.26

PILE GUIDES

WWW.MERCOMARINE.COM 1-304-737-3006



RUBRAIL



TRUSS FRAMES



MERCO MARINE

HOOP PILE HOLDERS

Our convertible Hoop Pile Holders have 3 basic pieces, a deck plate, a hoop and a roller assembly. This allows you to have a hoop pile holder the way you want it, whether it be a permanent hoop, a removable hoop or a hoop with a roller. You can use the roller assembly on the deck plate or bolt it directly to the dock. All parts are hot dipped galvanized. Add a UHMW Roller to any assembly as shown at the bottom of page 19. All assemblies include a deck plate, hoop, roller assembly, and 6 carriage bolts. Fasteners required to bolt to your dock sold separately on page 28.

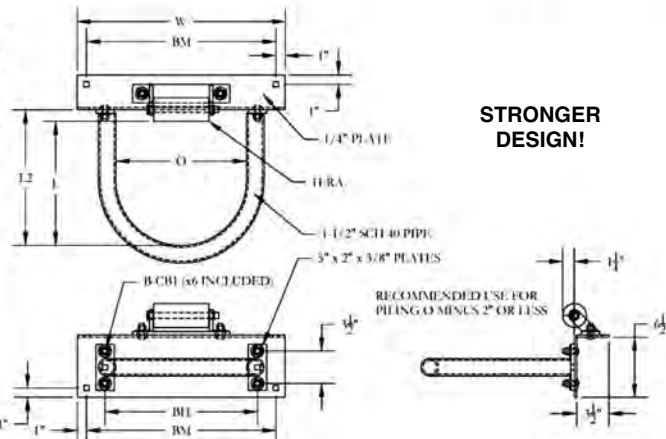
Assembly Number	Assembled Weight	□	L	L2	W	BH	BM	Hoop Number	Hoop Weight	Deck Plate Number	Deck Plate Weight
HP-H8R	25 lbs	8"	8 3/4"	10"	15 3/4"	9-3/4"	13 3/4"	HP-H8	8 lbs	HP-DP8	12 lbs
HP-H10R	28 lbs	10"	10 1/8"	11 3/8"	18 1/2"	12-1/2"	16 1/2"	HP-H10	8 lbs	HP-DP10	14 lbs
HP-H12R	30 lbs	12"	11 1/2"	12 3/4"	20 1/2"	14-1/2"	18 1/2"	HP-H12	10 lbs	HP-DP12	15 lbs
HP-H14R	32 lbs	14"	13 1/2"	14 3/4"	22 1/2"	16-1/2"	20 1/2"	HP-H14	10 lbs	HP-DP14	16 lbs
HP-H16R	35 lbs	16"	15 3/4"	17"	24"	18-1/2"	22"	HP-H16	12 lbs	HP-DP16	18 lbs
HP-H18R	37 lbs	18"	17 1/4"	18 1/2"	26"	20-1/2"	24"	HP-H18	13 lbs	HP-DP18	19 lbs
HP-H20R	38 lbs	20"	19 5/8"	20 7/8"	27 1/4"	21-7/8"	25 1/4"	HP-H20	13 lbs	HP-DP20	20 lbs

NOTES: ALL DIMENSIONS NOMINAL. DIAMETER TOLERANCE IS +/- 1/4". □ = DIAMETER

1-1/2" HOOP PILE HOLDERS

Circumference	□
9.42	3"
12.56	4"
15.7	5"
18.84	6"
21.98	7"
25.12	8"
28.26	9"
31.4	10"
34.54	11"
37.68	12"
40.82	13"
43.96	14"
47.1	15"
50.24	16"
53.38	17"
56.52	18"
59.66	19"
62.8	20"

□ - DIAMETER



STRONGER DESIGN!

Our mounting plates are 5" x 2" x 3/8" which are welded to the hoop and are used to mount the hoop to the deck plate. Our mounting plates are 33% thicker and 25% wider than most other hoop mounting plates on the market.

An easy way to determine the diameter of your existing pipe or piling is to measure the circumference and divide by 3.14. We've done the math for you with our Circumference chart to the left.

Part Number	Assembled Price	Hoop Number	Hoop Price	Deck Plate Number	Deck Plate Price
HP-H8R	\$94.88	HP-H8	\$35.93	HP-DP8	\$33.28
HP-H10R	\$99.53	HP-H10	\$38.55	HP-DP10	\$35.31
HP-H12R	\$106.43	HP-H12	\$43.42	HP-DP12	\$37.34
HP-H14R	\$111.31	HP-H14	\$47.34	HP-DP14	\$38.30
HP-H16R	\$119.62	HP-H16	\$51.91	HP-DP16	\$42.04
HP-H18R	\$125.87	HP-H18	\$56.26	HP-DP18	\$43.94
HP-H20R	\$132.16	HP-H20	\$60.61	HP-DP20	\$45.88

HAMILTON MARINE

Don't Miss Our
OPEN HOUSE SALE!
 Saturday April 4th
 through Saturday April 11th!

LED Searchlights
 316 stainless steel compact housing. Clear white beam. 10V-32V.

WAYNE'S CHOICE!

5-3/4" Dia, 200,000 Candle Power
 DHR-150CBLED **\$540⁹⁹**
 Order# 772198 ea

5-3/4" LED Insert **\$437⁹⁹**
 Order# 772199 ea

7" Dia, 300,000 Candle Power
 DHR-180CBLED **\$893⁹⁹**
 Order# 772355 ea

7" LED Insert **\$876⁹⁹**
 Order# 772354 ea



BOMAR Tread Plate Access Hatch
 Marine grade, anodized aluminum tread plate with 12-gauge 316 stainless steel frames. Wrench sold separately.
 Search# BOM-S4



Starting At \$510⁹⁹ ea

FREEMAN Cast Aluminum Commercial Hatches
 MARINE EQUIPMENT Fast acting, flush, watertight, easily opening aluminum dogging system.

15" x 24" **\$884⁹⁹** ea
 FMN-2433-0002
 Order# 754527

24" x 24" **\$1659⁹⁹** ea
 FMN-2424-0002
 Order# 754529



KELLER Permanent Fuel Tanks
 marine products Seamless construction, leak proof and corrosion resistant, made from rotationally molded polyethylene. Adapters, vents and fuel level senders included.
 Search# MOE-



Many Sizes!
 Starting At **\$227⁹⁹** ea

These are gasoline or diesel tanks. For use with diesel, use return kit.
 Order# 743130 SELL 55.39

Noise Reduction Sheets
 Engine room noise control acoustical foam sheets. Reinforced metallized polyester film facing with adhesive backing. 32" x 54" sheets.

1" Thick Sound Absorber
 HMQ-SA3254M1 **\$89⁰⁹** ea
 Order# 154807

Sound Barrier Composite
 1" Thick Sheet with Adhesive Backing
 HMQ-SBC3254M1 **\$102⁹⁹** ea
 Order# 154810

2" Thick Sheet No Adhesive Backing
 HMQ-SB3254M2 **\$144⁵⁹** ea
 Order# 767088



Exhaust Wrap
 Manufactured from fiberglass. Contains no asbestos. Sold in 100' rolls.

Best Seller!



Part#	Size	Order#	SELL
HM-EW2	2" x 1/16"	117646	25.99
HM-EW3	3" x 1/16"	117648	38.29
HM-EW4	4" x 1/16"	117649	49.99

Fuel Hose Feed and Fill



SAE J1527-USCG Type A1-15 Fuel Feed line
 Low perm and alcohol resistant
 Search# HMH-368

SAE J1527-USCG Type A2 Fuel Fill/Vent line
 Search# HMH-350



Series 250 Water/Exhaust Flex Marine Exhaust



Heavy wall with double helical wire between 4 spirals. Resists panting, collapse, heat, ozone, and exhaust fumes. Excellent flexibility and bend radius. Meets or exceeds USCG and ABYC recommendations.
 For intake and exhaust.
 Search# HMH-250



SYSTEMTHREE
 State-of-the-art, marine coatings, adhesives and putties.
 Search# SYT-



COOSA Composite Panels
 COMPOSITES, LLC High density, polyurethane foam, reinforced with layers of fiberglass strands throughout. Lightweight, non-rotting, and an excellent replacement for wood.
 Search# CSA-



STRONGWELL Fiberglass Structural Shapes & Plates
 A proprietary combination of fiberglass reinforcements and thermosetting polyester or vinylester resin systems. Lightweight, high strength, and corrosion resistant.
 Search# SGW-



Commercial Bumper
 Black. Up to 60 ft lengths.
 2-1/8" Base Width, 2" High, 7/16" Wall Thickness
 DAM-DB-50 **\$10⁵⁹** ft
 Order# 107117

3-1/8" Base Width, 2-7/8" High, 11/16" Wall Thickness
 DAM-DB-75 **\$21⁹** ft
 Order# 107128

Insert Strips and Molded Corners Available



Strip inserts here. Sold in lengths up to 10'



Fan Nose Bumper
 Black. Up to 60 ft lengths.

2-1/2"W x 3" OD, 5/8" Wall Thickness
 DAM-DB-503 **\$22²⁹** ft
 Order# 148198

3-3/4"W x 4-1/2" OD, 3/4" Wall Thickness
 DAM-DB-504 **\$31⁹⁵** ft
 Order# 147124



800-639-2715 • hamiltonmarine.com

All discounts apply to current store prices. Typographical errors are unintentional and subject to correction.



HAMILTON MARINE

IMPERIAL Adult Universal Cold Water Immersion Suit

Three fingered mitt. Wide legs for easy donning. Snug fitting face seal. Includes whistle and storage bag.

USCG APPROVED
\$269⁹⁹ ea

RVS-1409A
Order# 743829



ocean SIGNAL RescueME EPIRB1 Category II with GPS

Measuring just 7" x 3.9" x 3.5", the world's most compact EPIRB stows easily. 10 year battery life. Waterproof. 66 channel GPS enabled. Strobe light. 48+ hours operational life. Includes lanyard.

10 Year Battery Life!

\$425⁹⁵ ea

NEW!



ACR-RESCUEMEC2
Order# 776394

KENT Type I Offshore Life Vest

USCG Approved with reflective tape, light loop and whistle attachment.

\$40⁷⁹ ea

Adult Universal PFD-1A
Order# 748930



BEACON 35 Automatic/Manual Inflatable PFD

USCG Approved Type V with Type II Performance
Full 35 lbs Buoyancy!

Wide neoprene neckline, low profile fit. Adult universal sizing, fits 30"-65" chest. Durable 400 denier nylon. Hi-Vis inflation chamber. SOLAS grade retro-reflective areas on the front and a super bright BEACON logo on the back.

\$149⁹⁹ Reg 179.99 ea

Part#	Color	Order#
HMI-BCNI35OG	Orange/Gray	773536
HMI-BCNI35BG	Blue/Light Gray	773535

SAVE \$30



Double Coated Insulated Latex Gloves

Textured palm for excellent grip. Comfortable knit cuff. Sold by the pair. Orange.

\$10³⁹ pr

WAYNE'S CHOICE!

Search# HMG-WG338



Big Bobby Wide Calf Boots

Rugged solid rubber sole, oil resistant. Special broad toe. Reinforced heel. 100% waterproof. 4-way stretchable, breathable Airmesh™ lining. Sizes 10-16.

Mid 13" Boot

\$99⁹⁵ pr

Search# CFD-BBBMMBK

High 16" Boot

\$104⁹⁵ pr

Search# CFD-BBBMHBK



GRUNDÉNS Foul Weather Gear

Search# GRD-

HUGE SELECTION IN STOCK!



JABSCO 1" Bronze Ball Bearing Pump

a xylem brand
Corrosion resistant, ideal for engine cooling. Self-priming, operates in either direction at variable speeds. Used for washdown, circulation, and many general purpose and dockside applications. Neoprene impeller with removable end cover for easy service. 25.5 GPM. 5/8" shaft.

\$399⁹⁹

JAB-00777-9001
Order# 120101



Fish Basket

Plastic with handles and holes for draining, approximately 1 bushel capacity.

\$19⁹⁹ ea

Orange
Order# 118243

Green
Order# 763280



Traditional Steering Wheels

The classic look in a handsome and rugged wheel. 3/4" tapered bore. Available in 16" or 18" diameter, bronze or stainless steel.

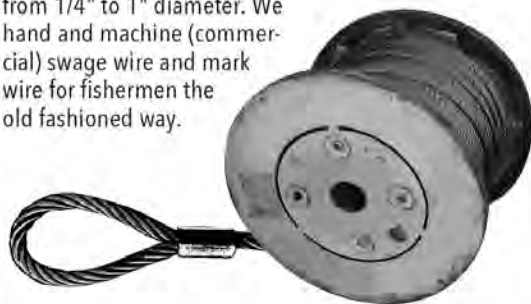
Search# HM-SW

Starting At
\$179⁹⁹ ea



WE MARK AND SWAGE WIRE!

Galvanized or Stainless Steel, from 1/4" to 1" diameter. We hand and machine (commercial) swage wire and mark wire for fishermen the old fashioned way.



"Little Vicky" Net & Twine Knife

3.25" high carbon stainless steel serrated blade. Handle is red nylon. The best rope and twine knife available.

\$6⁹⁹ ea **\$79¹⁹** doz

SAB-40603
Order# 165434



Electric Rope Cutting Guns

100 Watts
\$38⁹⁹ ea

PUR-15463
Order# 127675

120 Watts
\$41⁹⁹ ea

PUR-15463HD
Order# 735613



3-Strand Nylon Rope

High-tenacity white nylon multifilament fiber. Four-stage construction produces a torque-balanced rope with medium lay. Meets or exceeds Cordage Institute, US and Canadian Military standards.



SAVE BY THE REEL!



600 ft Spools

Size	Order#	Tensile Strength	Reg/Ft	Ft/Reel	Reg/Reel	600' Reel
3/8"	118628	3700 lbs	0.39	0.18	147.99	110.43
7/16"	118630	5000 lbs	0.51	0.25	199.99	152.32
1/2"	118631	6400 lbs	0.60	0.33	246.99	194.31
5/8"	118632	10400 lbs	0.97	0.51	399.99	304.13
3/4"	118633	14200 lbs	1.29	0.73	579.99	439.15
7/8"	118634	17280 lbs	1.90	1.00	789.99	601.83
1"	118635	25000 lbs	2.37	1.24	909.99	744.17
1-1/8"	118636	33000 lbs	2.75	1.44	1029.99	865.04
1-1/4"	118637	37500 lbs	2.97	1.76	1269.99	1056.08
1-1/2"	118639	53000 lbs	4.31	2.44	1759.99	1466.11

Poly Plus Rope

High-tenacity 3-strand polyester with polypropylene core, medium lay, good strength/low stretch, good abrasion resistance, excellent UV resistance. White with orange tracers.

SAVE BY THE REEL!



600 ft Spools

Size	Order#	Tensile Strength	Reg/Ft	Ft/Reel	Reg/Reel	600' Reel
3/8"	118655	3375 lbs	0.25	0.15	109.99	89.04
7/16"	118656	4165 lbs	0.33	0.20	152.99	120.96
1/2"	118657	5500 lbs	0.43	0.26	203.99	154.20
5/8"	118658	9235 lbs	0.65	0.39	289.99	234.04
3/4"	118659	12,125 lbs	0.89	0.55	409.99	330.54
7/8"	118660	15,950 lbs	1.40	0.77	599.99	462.99
1"	118661	18,750 lbs	1.60	0.89	609.99	534.83
1-1/4"	118663	26,800 lbs	2.21	1.36	929.99	815.16
1-1/2"	118664	40,625 lbs	3.18	1.91	1299.99	1143.81
1-5/8"	151172	42,150 lbs	4.45	2.19	1499.99	1312.90

800-639-2715 • hamiltonmarine.com

All discounts apply to current store prices. Typographical errors are unintentional and subject to correction.

MARINE SANITATION DEVICE
Economy Type II MSD
 USCG Approved
 4/12/16/32 man sizes
 Fits anywhere
 Modular Design
 compact/low profile
 In STOCK Now!!

Economy Type II MSD Got Poop?
 EZ Install & EZ Ops
"The Poop Plant"
www.thetankMSD.com · Skimoil Inc. (314) 579-9755

Ever Get Bad Fuel?
 Get The Diesel Fuel Purifier
 Removes Water and Dirt
 Sizes For All Engines - From 1/2 to 400 GPM
Diesel Fuel Purifier.com
 Simply Removes Water & Dirt
 TheFuelPurifier.com · Simply removes water & dirt
Skimoil Inc. (314) 579-9755
 Quality Made In USA
 NO Moving Parts or Maintenance
 NO Replacement Filters Needed
 NO BS, Smoke, Mirrors or Magnets

Got Bilge Water?
 BilgeVAP eliminates your water
 ZERO LIQUID DISCHARGE
BUBBA PROOF
 no moving parts
 electric / no emissions
 No Discharge Zone? No Problemo
 BilgeVAP evaporates your water away
www.bilgevap.com
Skimoil Inc. (314) 579-9755
 Quality Made In USA
Oily Water Separators
Bilge Water Treatment
 USCG Approved To Meet All
 IMO/MEPC 107 (49) Requirements
BRUTE Marine Oil Water Separators
 Complete System Ready To Install & Go To Work
 SIMPLE: Install - Controls - Operations
www.BruteOWS.com · www.mini-brute.com

1hp CasCade 5000
 Floating POND FOUNTAIN! AERATOR
 Pre-Assembled - Installs in Minutes!

 ELEGANCE & IMPROVED WATER QUALITY
 Factory Direct!
 MSRP (\$1400)
 You Pay \$798.95!
 Complete with light & timer
 100 ft power cord
 1 yr warranty!
 FAST SHIPPING right to your door!
www.fishpondaerator.com
 Call 7 Days / Week! (608) 254-2735

TWIN DISC
 Marine Gears, Torque-Converters - ALL
 Supplier & Rebuilder "Since 1982"
www.RMIservices.com
 (504) 347-4361

Offshore Oil Rigs & Marina WINDSOCKS

FACTORY DIRECT
 IN STOCK AND READY FOR IMMEDIATE SHIPMENT
AIRPORT WINDSOCK CORPORATION
 1-800-579-5135 651-448-8667
www.airportwindsocks.com

LINK BELT CRANES FOR SALE
 FOR SALE - Like New, government surplus Link Belt 78, ready to be deck mtd. Will not find a lower hour machine out there. \$20K - Also MKT 11B, 9B3 #7, Rebuilt MKT 9B3 & # 7 hammers, & numerous clam shell buckets, cable & hyd.
 Good used selection of new & used parts for all Link Belt models.
Call: (516) 901-0950

FIBERGLASS SUPPLIES
 Epoxy, Vinylester, Polyester
 Gelcoats, Barrier Coats
 FG Laminate Angle & Panels
 Carbon Fiber, Kevlar
 Fairing & Bonding Compounds
 Marine Plywood, Core & More!
 

 Technical Assistance
 800-231-6537
lbiadmin@lbicorp.com
office@lbicorp.com
www.lbifiberglass.com


THINK AHEAD

Constructed of a Durable Lightweight Corrosion Proof LLPE Material
Will not Rust, Corrode or need to be replaced ever!
HEADS UP! Ahead Tank is the #1 choice in the #2 Business
Sanitation Systems
NEXT GENERATION TECHNOLOGY
 • Integrated Marine Sanitation Systems, Products, Parts & Supplies
 Visit us at www.aheadsanitationsystems.com
 or Call 1-337-330-4407



Diesel Trash Pumps & Pressure Washers




Trash Pumps
 Diesel
 Lifting Eye
 Fuel Tank
 Aluminum Roll Bar Skid With Drip Pan
 Recoil and Electric Start
 2" Recoil Start \$2,699
 3" Recoil Start \$2,799
 3" HD Electric Start \$3,499

Pressure Washers
 2500 PSI Recoil Start \$2,799
 4000 PSI Recoil Start \$3,099
 4000 PSI Electric Start \$3,250
 Powered By: **YANMAR**

 800.960.0068 sales@mlengine.com
www.mlengine.com 2845 Hwy 311 Schriever, LA 70395

NYS MARINE HIGHWAY TRANSPORTATION CO., LLC
WWW.NYSMARINEHIGHWAY.COM
SHIP BY CANAL
  
 FABRICATED PRODUCTS DREDGES, DEAD SHIPS & CONTRACTORS EQUIPMENT PROJECT CARGO
WE CAN TOW YOUR EQUIPMENT BETWEEN THE EAST COAST & GREAT LAKES VIA THE NYS CANAL SYSTEM
 QUOTES ROB (518) 365-3305 rob@nysmarinehighway.com

Commercial-Duty Walker AIRSEPS

The NEW Standard for Diesel Breathing Systems Used in Today's Workboats.
Fleet Supply Warehouse, Inc.
 205 Venture Blvd., Houma, LA 70360
 Tel: 985.868.0430 Fax: 985.868.0436
 Your Louisiana Headquarters for Walker Air Filters and New CCE Replacement Elements.

www.walkerairsep.com

LED Lighting **NEW!**

Marine Grade LED Floodlight Bars
 10Watt, 30Watt, 60Watt & 90Watt
 - 100° Beam Angle Horizontal & Vertical
 - 140 Lumens per Watt
 - Fully dimmable, 0-10V, PWM or resistant dimming
 - 100-305Vac or 10v-30vdc
 - Hard anodized & Seawater Resistant Coating

 Stacking the LED Flood Light Bars
 We have stacking brackets available for stacking the light bars on top of each other when more light is required. They can swivel independently in a vertical direction to aim the light where needed.
LED Robust Tri-Proof Light
 Perfect for engine room, & technical areas lighting. Designed to replace fluorescent fixtures
 - 600mm, 2ft 30Watt and 1200mm, 4ft 60Watt
 - Large Beam Angle 230°
 - Can be supplied with emergency circuit
 - High impact cover IK10
 - 5 years limited warranty
OCEANUS - LED MARINE UTILITY LIGHT
 The Oceanus LED Utility light fixture is designed to replace fluorescent light fixtures in applications where long life, minimal maintenance, and low power consumption are important considerations. A 3900K Natural White color is used to achieve the best CRI and there are versions with an added red color circuit for night time illumination. The fixture can be flush mounted or surface mounted with the supplied bezel. Available in 85v-265vac, 10v-30vdc and a dual circuit 85v-265vac + 10v-30vdc. 2520 Lumens in Total

E-LED LIGHTING Inc.
 PHONE: (561) 845-7460, FAX: (561) 214-4928
info@E-LEDLighting.com, www.E-LEDLighting.com