



Southern California Valve



(281) 482-4728 • www.scvvalve.com



Bolted Bonnet OS&Y Wedge Gate Valves - API 600

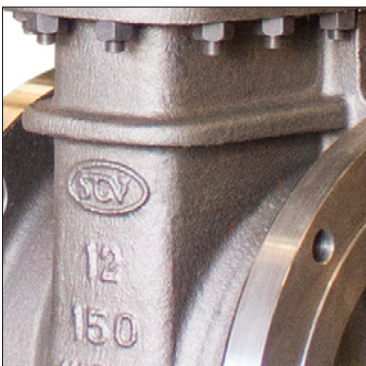
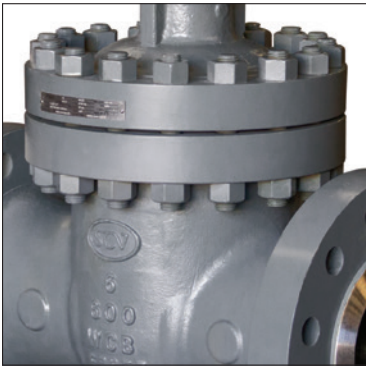
Class: 150 - 2500

Sizes: 2" - 48"





Southern California Valve



SOUTHERN CALIFORNIA VALVE manufactures superior cast body, bolted bonnet globe valves in a variety of materials, trims, packing types, sizes (2" thru 48") and pressure classes (150 thru 2500). The mechanical characteristics (moveable disc and stationary seat ring) make the SCV globe valve ideal for repeatable pipeline unidirectional throttling applications and frequent operation.

The valve design conforms to API 598 and B16.34. Face-to-face and end-to-end dimensions conform to ANSI B16.5 and B16.25.

Innovative valve solutions.®

Bolted Bonnet OS&Y Wedge Gate Valves - API 600

[Product Preview]

For more information call us @ (281) 482-4728 or visit our website @ www.scvvalve.com

Bolted Bonnet Globe Valves - API 600

- Basic Design: API 600 & ANSI/ASME B 16.34
- Wall Thickness: ASME B 16.34
- Face-to-Face Dimensions: ANSI/ASME B16.10
- Flange End Dimensions: ANSI/ASME B16.5 (2" to 24") MSS SP-44 (26" & up)
- Butt-Weld End Dimensions: ANSI/ASME 16.34
- Pressure/Temperature Rating I/A/W: ANSI/ASME B16.34
- Inspection & Testing: API 598

Note: SCV reserves the right to change any technical design and dimensional data without prior notice. Please contact SCV to confirm all Dimensions and Data offered in this catalog.





Southern California Valve

Southern California Valve's product lines include commodity valves as well as specialty valves in all Sizes, Pressure Classes & Metallurgy; including Carbon Steel, Stainless Steel & Exotic Alloys. The valve types include Gate, Globe, Swing Check - Bolted Bonnet & Pressure Seal Bonnet, Ball - floating, trunnion, rising stem, Thru-Conduit Gate - slab and expanding, Swing Check - Full and Regular Port, Lubricated Plugs, Dual Plate Checks - wafer and lug. Southern California Valve's High Quality Standards demand 100% pressure testing of every valve to insure its reliability and full customer satisfaction.

At Southern California Valve, we pride ourselves with high quality products in the commodity and specialty valve lines, as well as, timely deliveries, and competitive prices.

Company History ■ ■ ■ ■ ■ ■ ■ ■ ■ ■

Southern California Valve was established in 1972. The primary focus of the Company was to provide full inline field service for valve maintenance as well as in house valve modifications. While serving the Power Industry, Paper & Pulp, Oil & Gas, and the Petro Chemical Industry; through years of dedication and commitment to quality and service, Southern California Valve has become one of the largest West Coast full range, field service companies, with a reputation for superior quality.

In the mid 1970s, Southern California Valve entered the valve manufacturing industry, primarily serving the Power Industry. Since that time, Southern California Valve has expanded their products to cover a broad range of valves. Southern California Valve holds the API 6A & API 6D Monogram, API Q1 Quality Management System, and ASME "R" stamp. The Corporate office and manufacturing facility is located in Santa Fe Springs, California. The Sales and Projects office is located in Santa Fe, Texas.

Mission Statement ■ ■ ■ ■ ■ ■ ■ ■ ■ ■

Southern California Valve is committed to consistently providing products that meet or exceed customer and regulatory specifications. SCV aims to enhance customer satisfaction through implementing the highest levels of quality standards while assuring full conformity to those requirements.

Table of Contents

	Page
Table of Contents.....	1
Complete Product Line.....	2
Certifications.....	3
• American Petroleum Institute (API)	
• ISO 9001:2008	
• Canadian Registration Numbers	
• CE PED	
Figure Number Chart.....	4 & 5
Valve ID Tag & Valve Markings Identification	6
BOLTED BONNET OS&Y WEDGE GATE VALVES - API 600	7 THRU 14
Expanded View.....	8
• Class 150 - Bolted Bonnet OS&Y Wedge Gate Valves - 2" thru 48".....	9
• Class 300 - Bolted Bonnet OS&Y Wedge Gate Valves - 2" thru 48".....	10
• Class 600 - Bolted Bonnet OS&Y Wedge Gate Valves - 2" thru 42".....	11
• Class 900 - Bolted Bonnet OS&Y Wedge Gate Valves - 2" thru 24".....	12
• Class 1500 - Bolted Bonnet OS&Y Wedge Gate Valves - 2" thru 24".....	13
• Class 2500 - Bolted Bonnet OS&Y Wedge Gate Valves - 2" thru 12".....	14
Pressure Temperature Ratings	15, 16, & 17
Flange Dimensions	18 & 19
Industry Standards for Valve Manufacturing	22
Terms and Conditions.....	23

Complete Product Line

Call SCV today @ (281) 482-4728 for all your valve needs or visit us on the web @ www.scvvalve.com.

BOLTED BONNET OS&Y WEDGE GATES

Carbon & Stainless

Sizes: 2" - 48"
Class: 150 - 2500
Design: API 600



PRESSURE SEAL CHECKS

Carbon & Stainless

Sizes: 2" - 24"
Class: 600 - 2500
Design: API 594
B16.34



FLOATING BALL VALVES

1-PIECE REDUCED PORT

2-PIECE FULL PORT
Carbon & Stainless

Sizes: 1/2" - 12"
Class: 150 - 1500
Design: B16.34



THRU CONDUIT - SLAB & EXPANDING GATES

Carbon Steel

Sizes: 2" - 36"
Class: 150 - 1500
Design: API 6D



BOLTED COVER FULL PORT SWING CHECKS

Carbon & Stainless

Sizes: 2" - 36"
Class: 150 - 2500
Design: API 6D



3-PIECE TRUNNION BALLS

Carbon & Stainless

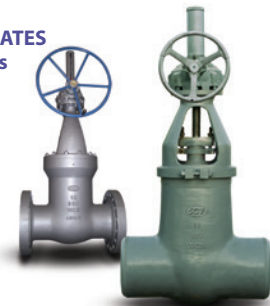
Sizes: 2-1/16" - 13-5/8"
Pressure: 2000, 3000 & 5000
Design: API 6A



PRESSURE SEAL GATES

Carbon & Stainless

Sizes: 2" - 24"
Class: 600 - 2500
Design: API 600
B16.34



COVER PISTON CHECKS

Carbon Steel Bolted

Sizes: 2" - 24"
Class: 150 - 2500
Design: API 6D



3-PIECE TRUNNION BALLS

BOLTED & WELDED BODY

Carbon & Stainless

Sizes: 2" - 42"
Class: 150 - 2500
Design: API 6D



BOLTED BONNET GLOBES

Carbon & Stainless

Sizes: 2" - 24"
Class: 150 - 2500
Design: BS1873
B16.34



DUAL PLATE CHECKS WAFER & LUG

Carbon & Stainless

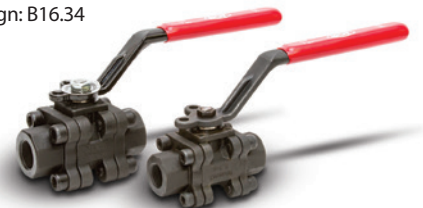
Wafer Sizes: 1.5" - 36"
Wafer Class: 150 - 2500
Lug Sizes: 2" - 36"
Lug Class: 150 - 900
Design: API 594



3-PIECE FULL PORT BALLS

Carbon & Stainless

Sizes: 1/4" - 3"
Class: 3705 W.O.G.
Design: B16.34



PRESSURE SEAL GLOBES

Carbon & Stainless

Sizes: 2" - 16"
Class: 600 - 2500
Design: API 623
B16.34



LUBRICATED PLUGS

Carbon Steel

Sizes: 2" - 36"
Class: 150 - 2500
Design: API 6D



Certifications & Registrations

American Petroleum Institute (API)

Texas Facility: API 6A Certification



California Facility: API 6A Certification



Texas Facility: API 6D Certification



California Facility: API 6D Certification



ISO 9001:2008 Certificate



CE PED Certificate



Canadian Registration Number

- Alberta - 0C07063.2
- New Brunswick - 0C07063.27
- New Foundland & Laborador - 0C07063.20
- Northwest Territory - 0C07063.25
- Novascotia - 0C07063.27
- Nunavut - 0C07063.2N
- Manitoba - 0C07063.24
- Ontario - 0C07063.25
- Prince Edward island - 0C07063.29
- Yukon - 0C07063.2

SCV Figure Number Chart

Note: SCV Figure Chart is subject to change without notice.



Valve Type	Bore Size	Pressure Class	Body/Bonnet	Body Material		Trim Material
BAL = Ball	.50 = 1/2"	.5 = 50	B = Bolted	01 = Cast Iron	90 = Titanium	10 = CR13
DBV = Double Ball Valve	.07 = 9/16"	.7 = 75	H = Bar Stock	02 = A352/LCC	91 = Tantalum	11 = CR13/HF
DCK = Dual Wafer Check	.08 = 13/16"	12 = 125	L = Lug	03 = A352/LC2	96 = Zirconium	12 = CR13 HF/HF
DSP = Dual Seal Plug	.75 = 3/4"	01 = 150	N = NRS Bolted	04 = CF8		13 = A105/ENP
FCK = Full Port Check	01 = 1"	02 = 200	P = Pressure Seal	05 = Ductile		14 = Steel/Chrome
GAT = Gate	1.2 = 1-1/16"	03 = 300	R = Threaded Body	06 = CF8M		15 = LF2/ENP
GLB = Globe	1.3 = 1-1/8"	04 = 400	S = Seal Weld	08 = A216 WCC		16 = 416
PCK = Piston Check	1.4 = 1-1/4"	06 = 600	T = Top Entry	09 = WC9/F22		17 = 17 4-PH
PLG = Plug	1.5 = 1-1/2"	08 = 800	U = Union	10 = A216 WCB		18 = LF3+ENP
RSB = Rising Stem Ball	1.8 = 1-13/16"	09 = 900	W = Wafer	11 = A352 LCB		20 = Alloy 20
SCK = Swing Check	02 = 2"	11 = 1000	Y = Y-Pattern	12 = A350 LF2		21 = Alloy 20/HF
TCG = Thru Conduit Gate	2.2 = 2-1/16"	15 = 1500		13 = A105		22 = F-22
TCK = Tilting Disc Check	2.3 = 2-1/8"	17 = 175		14 = LC3/LF3		25 = Inconel Overlay
WCK = Wafer Check	2.5 = 2-1/2"	20 = 2000		15 = A217 C5		28 = Sanicro 28
	2.7 = 2-9/16"	25 = 2500		16 = WC6/F11		30 = 4130
	03 = 3"	30 = 3000		17 = 17-4 PH		31 = 321
	3.3 = 3-16"	37 = 3705		18 = A108		32 = 316L
	04 = 4"	45 = 4500		19 = LF4		33 = 304/HF
	4.2 = 4-1/16"	50 = 5000		20 = Alloy 20		34 = 304
	05 = 05"	60 = 6000		21 = LF6		35 = 316/HF
	06 = 06"	10 = 10000		22 = F-22		36 = 316
	08 = 08"	05 = 15000		24 = 254 SMO		37 = 317/HF
	10 = 10"			25 = F5		38 = 317
	12 = 12"			26 = F91		39 = 1040
	14 = 14"			27 = C12A		41 = 410/F6a
	16 = 16"			28 = Sanicro 28		42 = Full Teflon
	18 = 18"			29 = C12/F9		44 = F44 Duplex
	20 = 20"			30 = AISI 4130		47 = 347
	22 = 22"			31 = 321		48 = 347/HF
	24 = 24"			32 = 321L		49 = Carpenter
	26 = 26"			33 = 304L		50 = Monel
	30 = 30"			34 = 304		51 = F51 Duplex
	32 = 32"			35 = 316L		52 = Nickel Alloy
	36 = 36"			36 = 316		53 = F53 Duplex
	40 = 40"			37 = 317L		54 = A516/ENP
	42 = 42"			38 = 317		55 = F55 Duplex
				40 = AISI 4140		56 = A36/ENP
				41 = 410/F6a		57 = A537/ENP
				44 = F44 Duplex		60 = Duplex
				47 = 347		61 = Super Duplex
				48 = 347L		62 = Inconel 625
				49 = Carpenter		63 = Inconel 600
				50 = Monel		69 = Naval Brass
				51 = F51 Duplex		70 = Bronze
				52 = Nickel Alloy		71 = Aluminum
				53 = F53 Duplex		78 = Inconel 718
				54 = ASTM A516		80 = Alu/Brz
				55 = F55 Duplex		81 = Ni Alu/Brz
				56 = ASTM A36		82 = Inconel 825
				57 = ASTM A537		83 = Hastelloy
				60 = Duplex		86 = 8026
				61 = Super Duplex		87 = 487
				62 = Inconel 625		88 = A890-4A
				63 = Inconel 600		89 = A890-5A
				65 = F65		90 = Titanium
				69 = Naval Brass		91 = Tantalum
				70 = Bronze		92 = Inconel 925
				71 = Aluminum		93 = Tungsten Carbide
				78 = Inconel 718		96 = Zirconium
				80 = Alu Bronze		97 = Nickel Boron
				81 = Ni Alu/Brz		
				82 = Inconel 825		
				83 = Hastelloy B		
				84 = Hastelloy C		
				86 = AISI 8026		
				87 = 487		
				88 = A890-4A		
				89 = A890-5A		

7

8

9

10

11

12

Ends	Operation	Configuration	Seal Material	Seat Material	Special
A = RF x BW	B = Bare Stem	32 = 3 Way 2 Port	4 = 304 Ring	D = Devlon	By Pass
B = RTJ x BW	D = Dual Acting	3F = 3 Way Floater	6 = 316 Ring	G = Graphite	Cadium Coat
C = Clamp	E = Electric	3T = 3 Way Trunnion	A = Aflas O-Ring	K = PCTFE	Cryogenic
D = RF x RTJ	G = Gear	43 = 4 Way 3 Port	B = Buna	M = Metal Seated	Epoxy Paint
F = Flat	H = Handwheel	4F = 4 Way Floater	E = EPDM	N = Nylon	Lip Seal
H = Hub	L = Lever	4T = 4 Way Trunnion	F = Fluorosilicone	O = Nova	Metal Hardface
J = RTJ	O = Oil/Gas	EX = Expanding	G = Grafoil	P = PEEK	Metal Tungsten Carbide
N = Nipples	S = S/Return	FF = Full Floater	H = HNBR	R = RPTFE	Nitride
M = SW x TH	Y = Hydraulic	FT = Full Trunnion	K = Kalrez	T = Teflon	Outside WT
O = ODD		RF = Red, Floater	L = Lip Seal		QPQ Inturnal
R = RF		RT = Red, Trunnion	N = Neoprene		Slam Retard
S = SW		SJ = Steam Jacket	P = Polyurethane		Stancoat
T = TH			R = NBR		Sub Sea
W = WE			S = Silicone		Teflon Lined
			T = Teflon		Top Extension
			U = Floursint		Zinc Base
			V = Viton		

Figure Number Profile

1	2	3	4	5	6	7	8	9	10	11	12		
BAL	02	01	B	13	13	R	L	F	T	-	H	D	X

No.	Figure Number Code	Description
1	Valve Type	Identifies the valve body design (gate, globe, ball, plug, etc.)
2	Bore Size	Identifies nominal port size (1/4" to 78")
3	Pressure Class	Identifies pressure classes ranging from 50 to 15,000
4	Body/Bonnet	Identifies body and bonnet material configuration (bolted bonnet, pressure seal, top entry, etc.)
5	Body Material	Identifies body material composition (A105, WCB, Stainless Steel, F51, etc.)
6	Trim Material	Identifies trim material composition (ENP, 316, F6, Cr13, HF, etc.)
7	Ends	Identifies end connection configuration (weld end, RTJ, socket weld, hub, etc.)
8	Operation	Identifies valve operation mechanism (electric, gear, hydraulic, lever, etc.)
9	Configuration (ball & expanding gate only)	Identifies valve configuration (floater, trunnion, etc.)
10	Seal Material	Identifies seal material composition (Buna, EPDM, Grafoil, HNBR, Neoprene, Teflon, etc.)
11	Seat Material	Identifies seat material composition (Devlon, Graphite, PCTFE, Nylon, PEEK, Teflon, etc.)
12	Special	Identifies special treatments or configurations (when applicable)

Sample Figure Numbers & Descriptions

Valve Type	Sample Figure #	Description
Trunnion Ball	BAL0201B1313RLF-T-HD	Ball Valve, 2", 150#, Bolted Bonnet, A105 Body, ENP Trim, HNBR Seals, Devlon Seats, Raised Face, Lever Operated, Full Port, Trunnion Mtd.
Floating Ball	BAL0201B1036RLFF-T	Ball Valve, 2", 150#, Bolted Bonnet, A216 WCB Body, 316SS Trim, PTFE Seats, Raised Face, Lever Oper., Full Port, Floating Ball
Dual Plate Wafer Check	DCK0406W1035R	Dual Plate Wafer Check, 4", 600#, Wafer Style, A216 WCB Body, 316SS/HF Trim, Raised Face
Full Port Swing Check	FCG0409B1011J	Full Port Swing Check, 4", 900#, Bolted Bonnet, A216 WCB Body, Cr13/HF Trim, Ring Type Joint
Wedge Gate	GAT0303P1035RH	Wedge Gate, 3", 300#, Pressure Seal, WCB, 316SS/HF Trim, Raised Face, Hand Wheel Operated
Globe	GLB0803B1011RH	Globe, 8", 300#, Bolted Bonnet, WCB, Cr13/HF Trim, Raised Face, Hand Wheel Operated
Swing Check	SCK0601B1036R	Swing Check, 6", 150#, Bolted Bonnet, WCB, Cr13/HF Trim, Raised Face
Lubricated Plug	PLG0803B1041RL-VM	Lubricated Plug Valve, 8", 300#, Bolted Bonnet, WCB, 410SS Trim, Viton Seals, Hardface Seats, Raised Face, Lever Operated
Dual Seal Plug	DSP0803B1011RG	Dual Seal Plug, 8", 300#, bolted Bonnet, WCB, Cr13/HF Trim, Raised Face, Gear Operated
Thru Conduit Gate	TCG0603B1036RG-VM	Thru Conduit Gate, 6", 300#, Bolted Bonnet, WCB, 316SS Trim, Viton Seals, Hardface Seats, Raised Face, Gear Operated
Expanding Gate	TCG0603B1036RGEX-VM	Thru Conduit Gate, 6", 300#, Bolted Bonnet, WCB, 316SS Trim, Viton Seals, Hardface Seats, Raised Face, Gear Operated, Expanding
Rising Stem Ball	RSB1006B1036RGFT-HR	Rising Stem Ball, 10", 600#, Bolted Bonnet, WCB Body, 316SS Trim, HNBR Seals, RPTFE Seats, Raised Face, Gear Operated

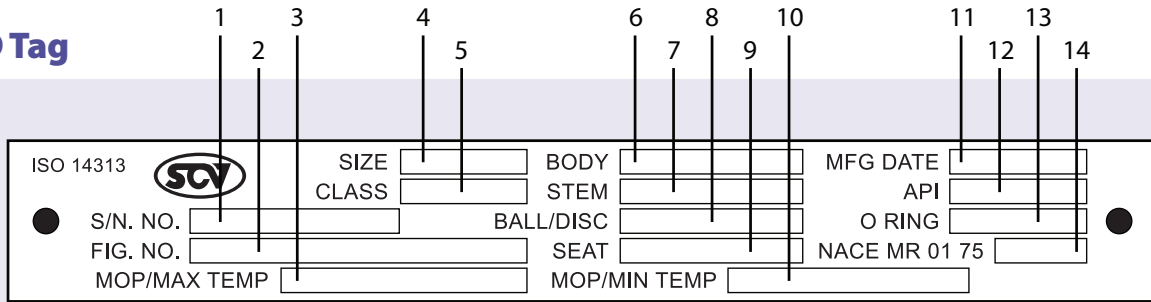
Note: Wedge Gates, Globes, Swing Checks, Piston Checks, Wafer Checks are metal-to-metal seats as standard.

Note: Subject to change without notice.

Control #: MSF 3.5-16 rev 7

Valve ID Tag & Valve Markings Identification

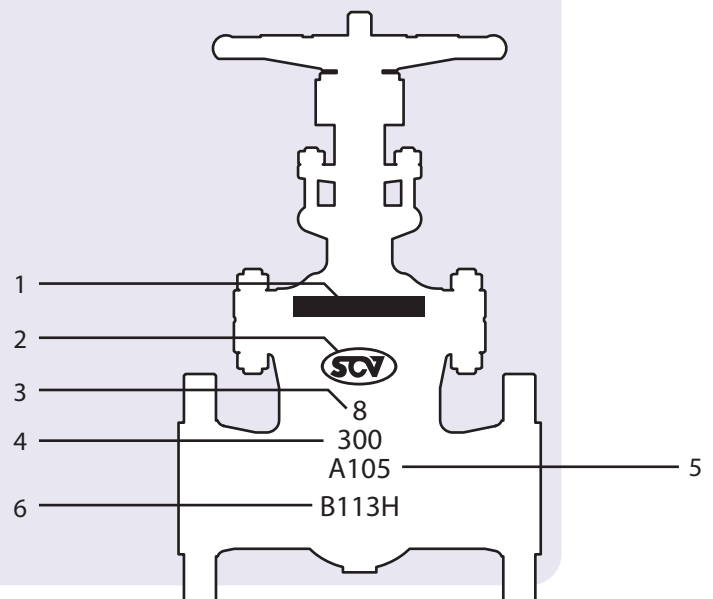
Valve ID Tag



No.	Figure Number Code	Description
1	Serial Number	Identifies certified manufacturers serial number
2	Figure Number	Identifies the detailed valve configuration (valve type, bore size, pressure class, materials, etc.)
3	MOP/Max. Temp.	Identifies the maximum operating pressure in PSI and maximum operating temperature in Fahrenheit
4	Size	Identifies bore size
5	Pressure Class	Identifies pressure classifications per API requirements
6	Body Material	Identifies body metal material composition (A105, WCB, F51, CF8M, etc.)
7	Stem Material	Identifies stem material composition (A105, 410SS, 17-4pH, etc.)
8	Ball/Disc Material	Identifies ball/disc material composition (A105, 316SS, ENP, etc.)
9	Seat Material	Identifies seat material composition (PEEK, Teflon, Nylon, etc.)
10	MOP/Min. Temp.	Identifies the maximum operating pressure in PSI and minimum operating temperature in Fahrenheit
11	Manufacturing Date	Identifies the date the valve manufacturing completion date
12	API Conformance	Identifies API conformance (600, 6D, 6A, etc.)
13	O Ring	Identifies the O Ring material composition (Viton, Viton GLT, etc.)
14	NACE MR 01 75	Identifies corrosion resistance

Valve Markings

No.	Valve ID Components
1	Tag
2	Brand
3	Size
4	Pressure Class
5	Body Material
6	Heat Number



Note: SCV reserves the right to modify our products for improvement without prior notice.



Southern California Valve



Bolted Bonnet OS&Y Wedge Gate Valves - API 600

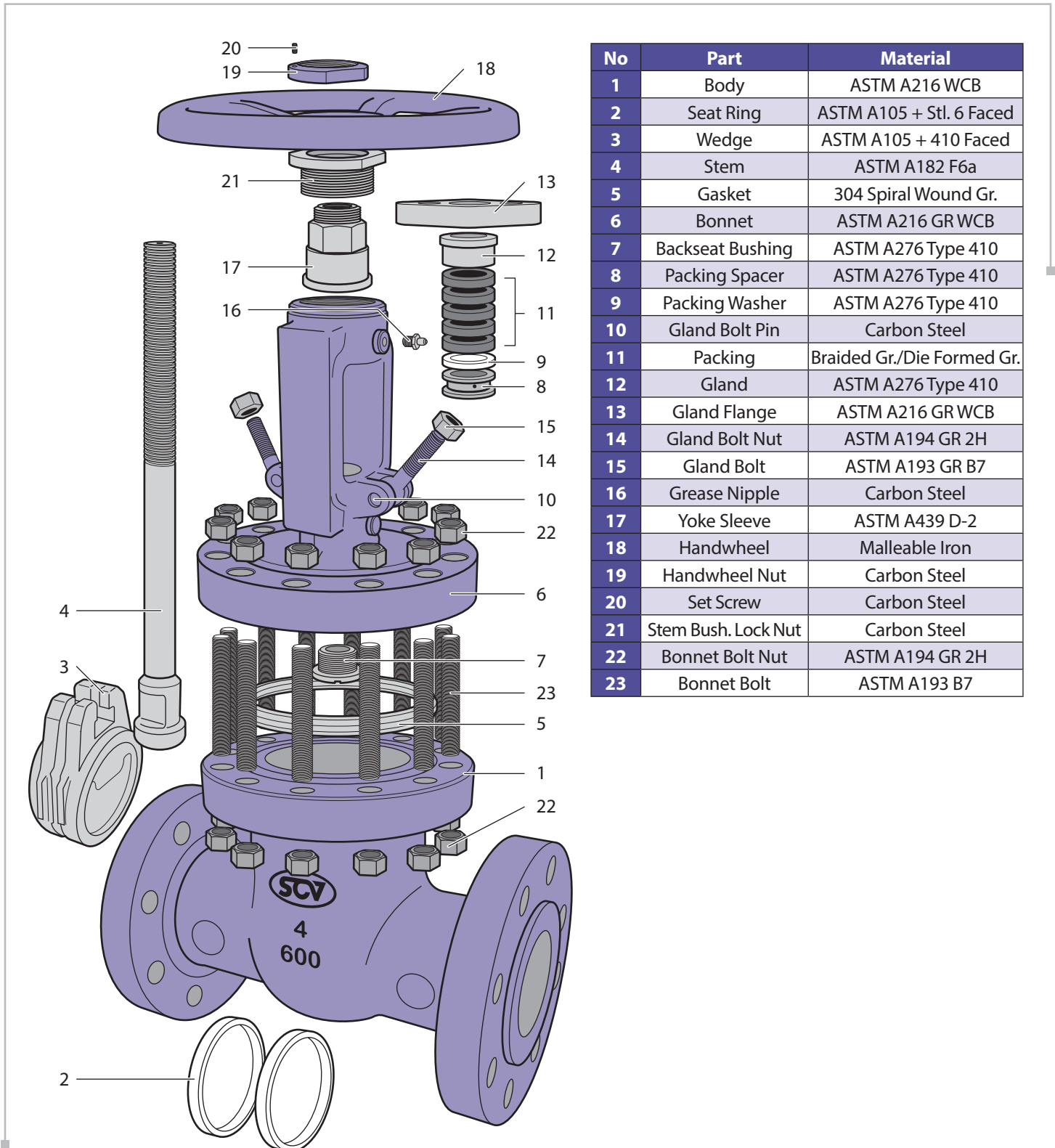
Class: 150 - 1500/Sizes: 2" - 48"

Design and Manufacturing Standards	
Basic Design	API 600 & ANSI/ASME B 16.34
Wall Thickness	ASME B 16.34
Face-to-Face Dimension	ANSI/ASME B16.10
Flange End Dimension	ANSI/ASME B16.5 (2" to 24") MSS SP-44 (26" & up)
Butt-Weld End Dimension	ANSI/ASME B16.25
Pressure/Temperature Rating I/A/W	ANSI/ASME B16.34
Inspection & Testing	API 598



Bolted Bonnet OS&Y Wedge Gate Valves - API 600

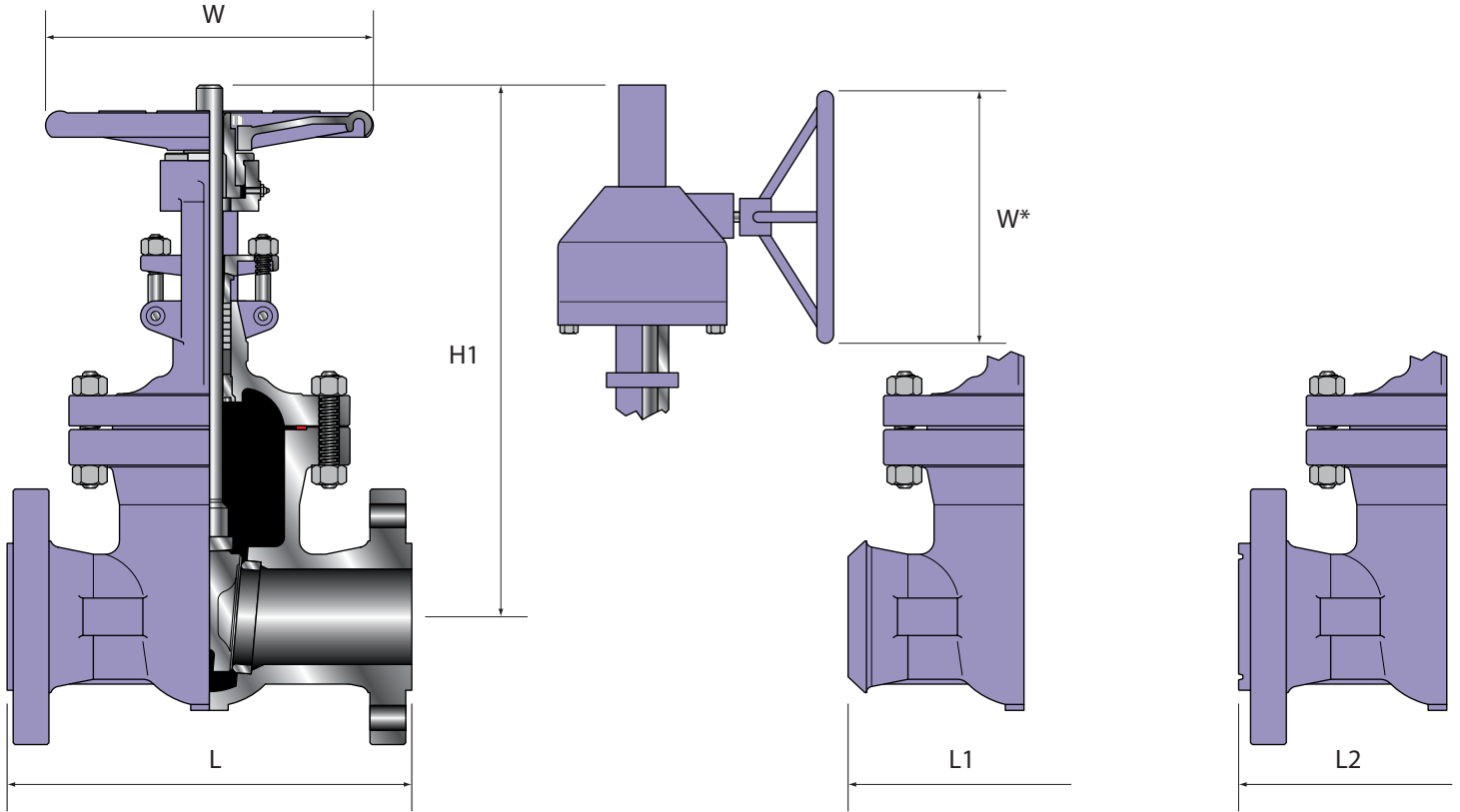
[Expanded View]



No	Part	Material
1	Body	ASTM A216 WCB
2	Seat Ring	ASTM A105 + Stl. 6 Faced
3	Wedge	ASTM A105 + 410 Faced
4	Stem	ASTM A182 F6a
5	Gasket	304 Spiral Wound Gr.
6	Bonnet	ASTM A216 GR WCB
7	Backseat Bushing	ASTM A276 Type 410
8	Packing Spacer	ASTM A276 Type 410
9	Packing Washer	ASTM A276 Type 410
10	Gland Bolt Pin	Carbon Steel
11	Packing	Braided Gr./Die Formed Gr.
12	Gland	ASTM A276 Type 410
13	Gland Flange	ASTM A216 GR WCB
14	Gland Bolt Nut	ASTM A194 GR 2H
15	Gland Bolt	ASTM A193 GR B7
16	Grease Nipple	Carbon Steel
17	Yoke Sleeve	ASTM A439 D-2
18	Handwheel	Malleable Iron
19	Handwheel Nut	Carbon Steel
20	Set Screw	Carbon Steel
21	Stem Bush. Lock Nut	Carbon Steel
22	Bonnet Bolt Nut	ASTM A194 GR 2H
23	Bonnet Bolt	ASTM A193 B7

Bolted Bonnet OS&Y Wedge Gate Valves

Size: 2" - 48"
Class: 150

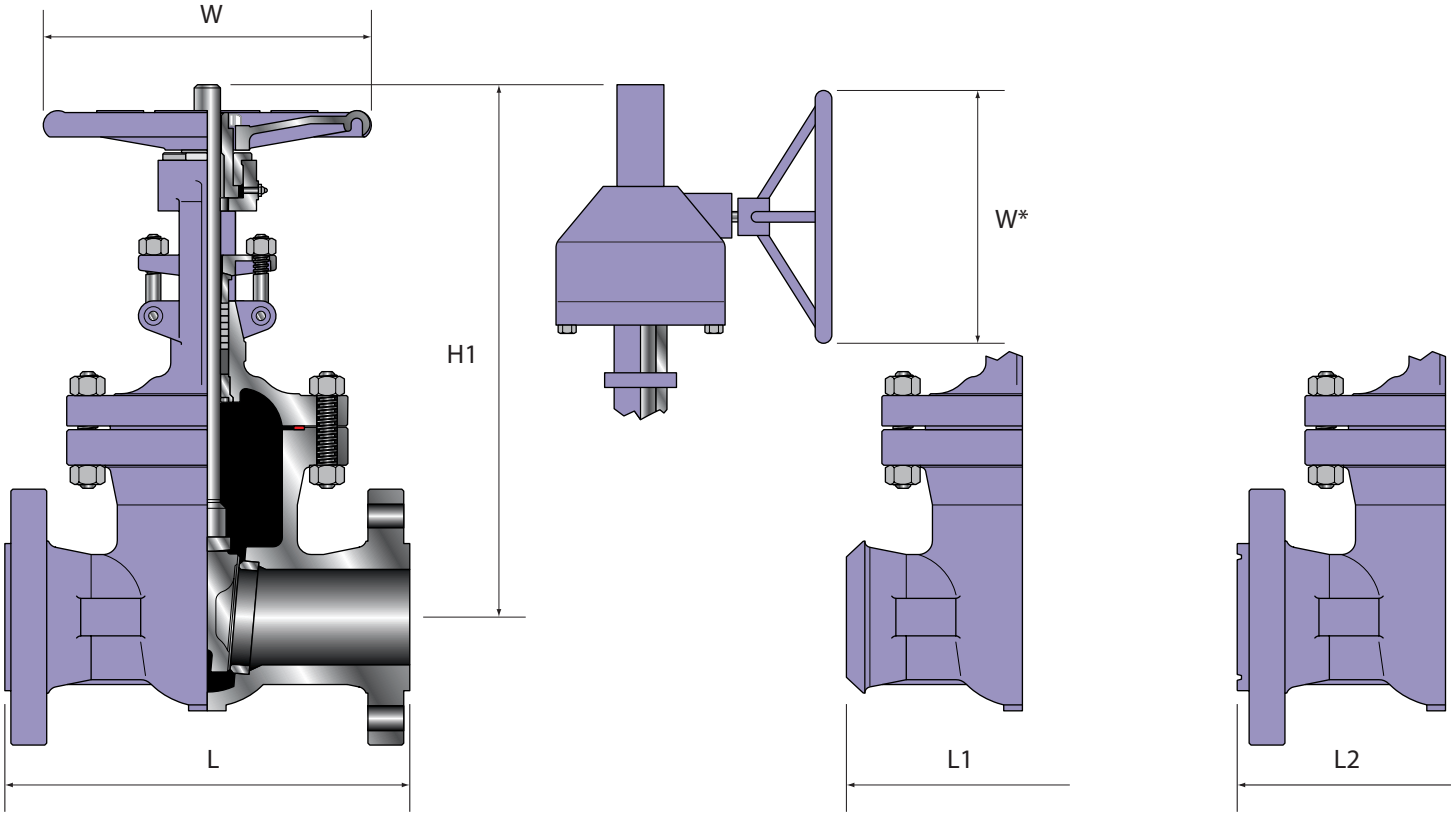


CLASS 150	Size	NPS	2	2.5	3	4	6	8	10	12	14	16	18	20	24	28	30	32	34	36	40	42	48
		DN	50	65	80	100	150	200	250	300	350	400	450	500	600	700	750	800	850	900	1000	1050	1200
L (RF)	IN	7.0	7.5	8.0	9.0	10.5	11.5	13.0	14.0	15.0	16.0	17.0	18.0	20.0	24.0	24.0	26.0	28.0	28.0	30.0	31.0	34.0	
	MM	178	191	203	229	267	292	330	356	381	406	432	457	508	610	610	660	711	711	762	813	864	
L1 (BW)	IN	8.5	9.5	11.12	12.0	15.87	16.5	18.0	19.8	22.5	24.0	26.0	28.0	32.0	36.0	36.0	38.0	40.0	40.0	42.0	43.0	46.0	
	MM	216	241	282	305	403	419	457	503	572	610	660	711	813	914	914	965	1016	1016	1067	1092	1168	
L2 (RTJ)	IN	/	/	/	/	/	/	/	/	/	/	/	/	/	/	/	/	/	/	/	/	/	
	MM	/	/	/	/	/	/	/	/	/	/	/	/	/	/	/	/	/	/	/	/	/	
H1	IN	15.4	16.7	18.1	22.8	30.6	38.4	46.4	54.6	60.0	68.7	79.1	91.7	109.6	127.4	134.5	143.7	155	161.8	183.9	174.4	217.5	
	MM	390	425	461	580	776	976	1178	1387	1523	1745	2010	2330	2784	3236	3417	3650	3950	4109	4670	4430	5525	
W	IN	7.9	7.9	7.9	9.8	11.8	14.0	17.7	17.7	19.7	22.0	13.8	17.7	17.7	22.0	22.0	22.0	27.9	27.9	31.5	31.5	35.4	
	MM	200	200	200	250	300	355	450	450	500	560	350	450	450	560	560	560	710	710	800	800	900	
WGT (RF)	IB	49	55	66	99	187	295.5	445	639	816	1177	1475	1786	3153	4558	4827	5351	5481	7856	10370	10143	15677	
	KG	22	25	30	45	85	134	202	290	370	534	669	810	1430	2067	2189	2427	2486	3563	4703	4600	7110	
WGT (BW)	IB	44	46	62	92.6	161	244	399	584	750	1111	1365	1697	3336	4756	4981	5458	5596	8011	10436	10198	15545	
	KG	20	21	28	42	73	111	181	265	340	504	619	770	1513	2157	2259	2476	2538	3633	4733	4625	7050	

Bolted Bonnet OS&Y Wedge Gate Valves

Size: 2" - 48"

Class: 300

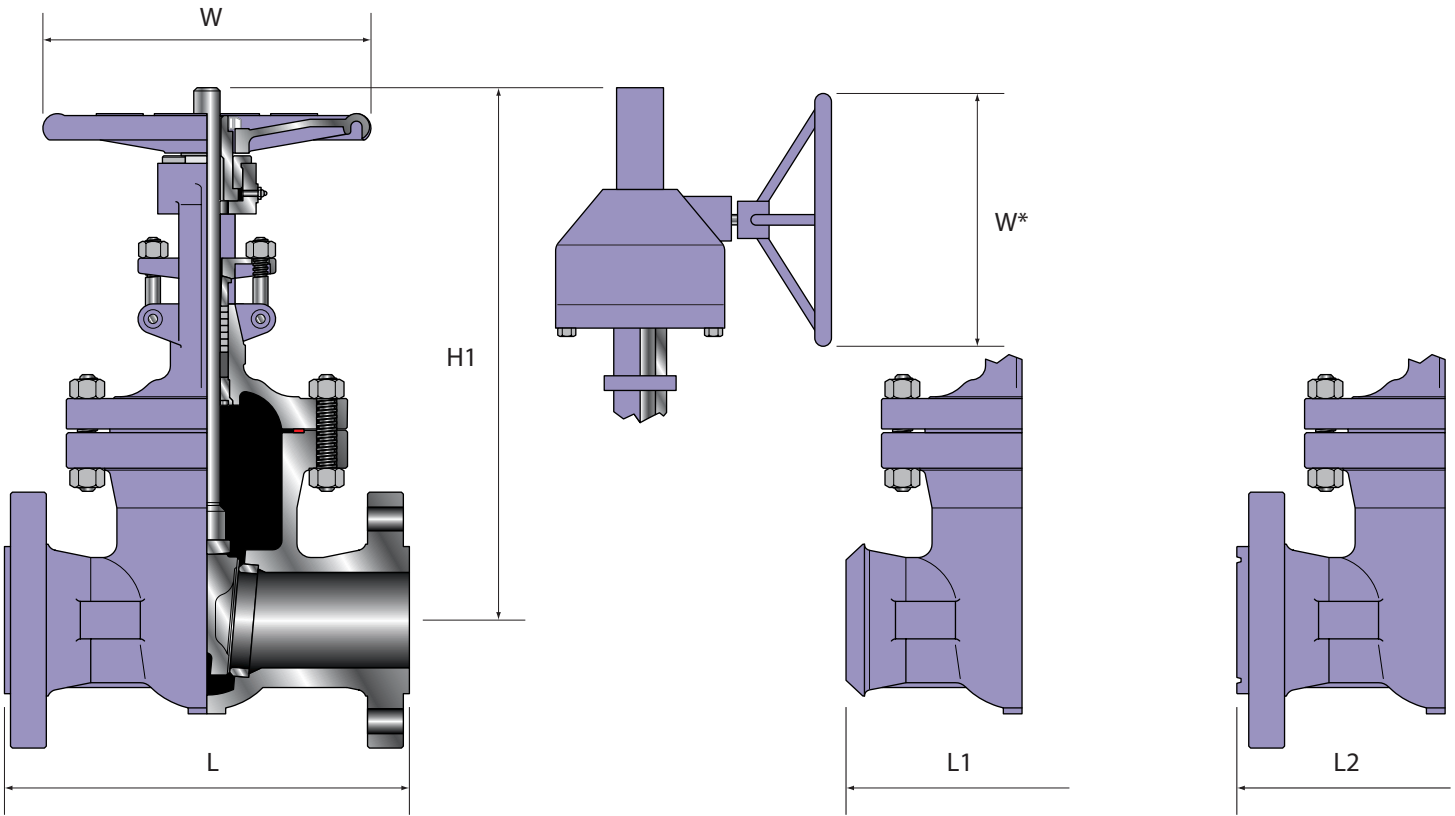


CLASS 300	Size	NPS	2	2.5	3	4	6	8	10	12	14	16	18	20	24	28	30	36	40	42	48
		DN	50	65	80	100	150	200	250	300	350	400	450	500	600	700	750	900	1000	1050	1200
L (RF)	IN	8.5	9.5	11.12	12.0	15.9	16.5	18.0	19.75	30.0	33.0	36.0	39.0	45.0	53.0	55.0	68.0	76.0	78.0	87.2	
	MM	216	241	282	305	404	419	457	502	762	838	914	991	1143	1346	1397	1727	1930	1981	2215	
L1 (BW)	IN	9.12	10.12	11.75	12.62	16.5	17.12	18.62	20.37	30.62	33.62	36.62	39.75	45.88	54.0	56.0	69.12	/	/	/	
	MM	232	257	298	321	419	435	473	518	778	854	930	1010	1165	1372	1422	1756	/	/	/	
L2 (RTJ)	IN	8.5	9.5	11.12	12.0	15.9	16.5	18.0	19.75	30.0	33.0	36.0	39.0	45.0	53.0	55.0	68.0	76.0	78.0	87.2	
	MM	216	241	282	305	404	419	457	502	762	838	914	991	1143	1346	1397	1727	1930	1981	2215	
H1	IN	16.2	17.7	19.0	23.7	32.0	40.2	48.8	56.8	66.1	78.4	85.9	93.5	112.6	130.0	148.5	169.8	188.6	198.1	217.4	
	MM	412	450	483	601	813	1020	1239	1443	1679	1993	2181	2376	2860	3302	3772	4312	4791	5032	5522	
W	IN	7.9	7.9	5.8	9.8	14.0	15.7	17.7	19.7	17.7	17.7	22.0	22.0	27.9	35.4	35.4	30.0	30.0	30.0	30.0	
	MM	200	200	224	250	355	400	450	500	450	450	560	560	710	900	900	760	760	760	760	
WGT (RF)	IB	64	88	106	163	313	485	721	1094	1530	2170	2880	3409	5204	8070	9592	15104	18654	20947	27342	
	KG	29	40	48	74	142	220	327	496	694	984	1306	1546	2360	3660	4350	6850	8460	9500	12400	
WGT (BW)	IB	52.9	77	82	141	269	379	512	862	1420	1839	2317	2703	4212	6637	7629	11003	13583	14994	19845	
	KG	24	35	37	64	122	172	232	391	644	834	1051	1226	1910	3010	3460	4990	6160	6800	9000	

Bolted Bonnet OS&Y Wedge Gate Valves

Size: 2" - 42"

Class: 600

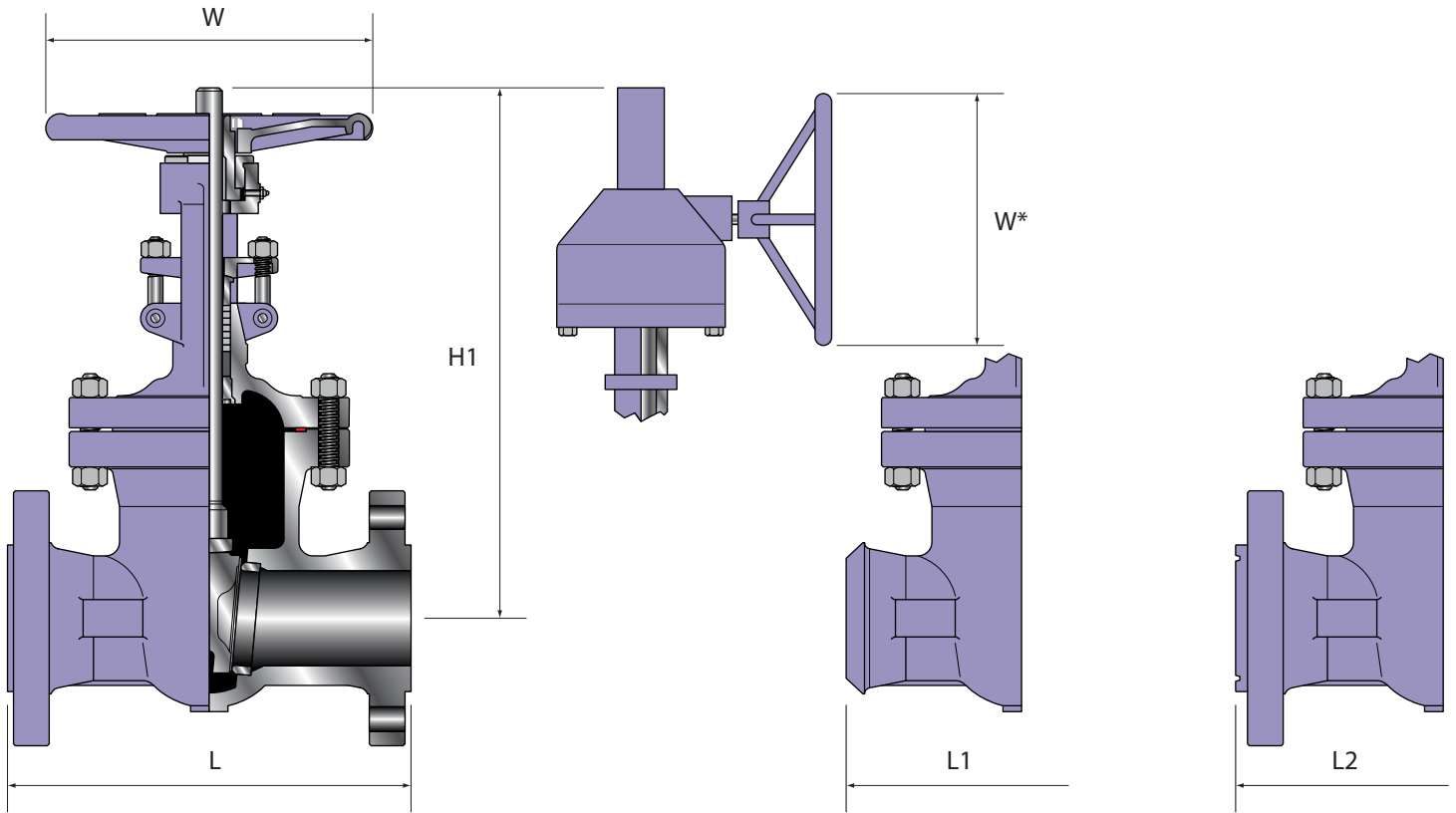


CLASS 600	Size	NPS	2	2.5	3	4	6	8	10	12	14	16	18	20	24	28	30	36	40	42
		DN	50	65	80	100	150	200	250	300	350	400	450	500	600	700	750	900	1000	1050
L (RF)	IN	11.5	13.0	14.0	17.0	22.0	26.0	31.0	33.0	35.0	39.0	43.0	47.0	55.0	61.0	65.0	82.0	94.0	98.0	
	MM	292	330	356	432	559	660	787	838	889	991	1092	1194	1397	1594	1651	2083	2387	2489	
L1 (BW)	IN	11.62	13.12	14.12	17.12	22.12	26.12	31.12	33.12	35.12	39.12	43.12	47.25	55.38	61.5	65.5	82.62	/	/	
	MM	295	333	359	435	562	664	791	841	892	994	1095	1200	1406	1562	1664	2098	/	/	
L2 (RTJ)	IN	11.5	13.0	14.0	17.0	22.0	26.0	31.0	33.0	35.0	39.0	43.0	47.0	55.0	61.0	65.0	82.0	94.0	98.0	
	MM	292	330	356	432	559	660	787	838	889	991	1092	1194	1397	1594	1651	2083	2387	2489	
H1	IN	18.5	19.5	22.1	26.7	37.2	43.7	52.1	65.9	72.1	82.9	98.0	104.8	116.9	140.2	152.8	179.5	207.6	240.0	
	MM	471	495	561	677	944	1110	1323	1675	1832	2106	2489	2662	2970	3562	3880	4560	5273	6098	
W	IN	8.8	8.8	9.8	11.8	17.7	19.7	24.8	22.0	22.0	27.9	27.9	31.5	35.4	30.0	30.0	30.0	30.0	30.0	
	MM	224	224	250	300	450	500	630	560	560	710	710	800	900	760	760	760	760	760	
WGT (RF)	IB	95	132	154	296	628	988	1499	2355	2836	4059	5700	6853	10337	13340	15313	21476	23262	24144	
	KG	43	60	70	134	285	448	680	1068	1286	1841	2585	3108	4688	6050	6945	9740	10550	10950	
WGT (BW)	IB	62	99	132	229	452	690	1180	2145	2571	3332	4741	5640	8595	10980	12590	17948	18830	19337	
	KG	28	45	60	104	205	313	535	973	1166	1511	2150	2558	3898	4980	5710	8140	8540	8770	

Bolted Bonnet OS&Y Wedge Gate Valves

Size: 2" - 24"

Class: 900

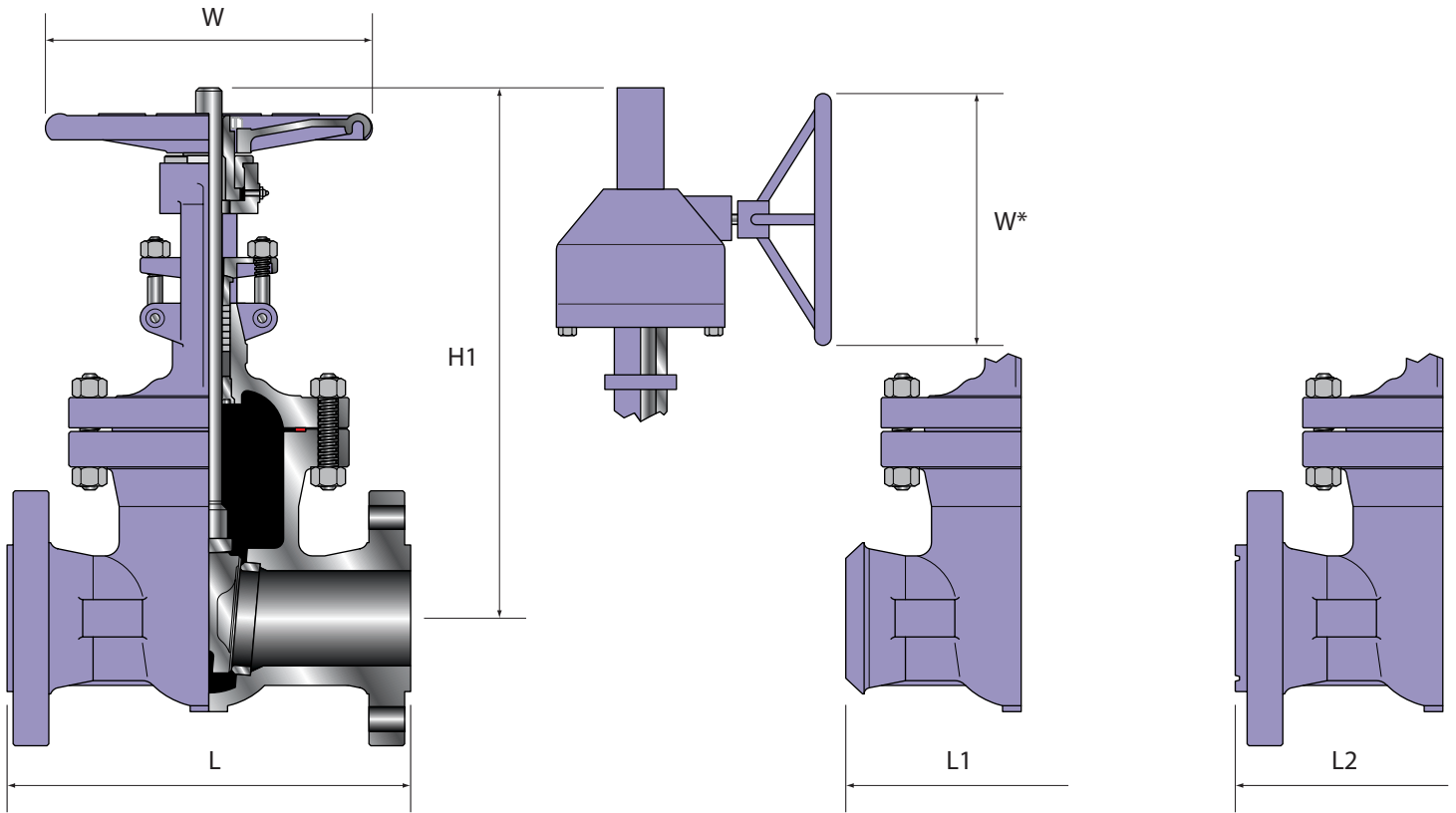


CLASS 900	Size	NPS	2	2.5	3	4	6	8	10	12	14	16	18	20	24
		DN	50	65	80	100	150	200	250	300	350	400	450	500	600
L (RF)	IN	14.5	16.5	15.0	18.0	24.0	29.0	33.0	38.0	40.5	44.5	48.0	52.0	61.0	
	MM	368	419	381	457	610	737	838	965	1029	1130	1219	1321	1549	
L1 (BW)	IN	14.62	16.62	15.12	18.12	24.12	29.12	33.12	38.12	40.88	44.88	48.5	52.5	61.75	
	MM	371	422	384	460	612	740	841	968	1038	1140	1232	1333	1568	
L2 (RTJ)	IN	14.5	16.5	15.0	18.0	24.0	29.0	33.0	38.0	40.5	44.5	48.0	52.0	61.0	
	MM	368	419	381	457	610	737	838	965	1029	1130	1219	1321	1549	
H1	IN	21.2	26.4	26.4	30.8	42.4	55.5	67.7	77.4	74.9	80.7	88.8	110.2	124.0	
	MM	539	670	672	782	1076	1411	1720	1965	1902	2051	2256	2800	3150	
W	IN	11.8	11.8	14.0	15.7	22.0	17.7	22.0	22.0	24.0	24.0	30.0	30.0	24.0	
	MM	300	300	355	400	560	450	560	560	610	610	760	760	610	
WGT (RF)	IB	181	342	364	384	999	1720	2752	3400	4895.1	6615.0	8533.4	10716.3	16096.5	
	KG	82	155	165	174	453	780	1248	1542	2220	3000	3870	4860	7300	
WGT (BW)	IB	130	375	287	295	789	1378	2267	2844	4167.5	5655.8	7276.5	8730.3	13494.6	
	KG	59	170	130	134	358	625	1028	1290	1890	2565	3300	4050	6120	

Bolted Bonnet OS&Y Wedge Gate Valves

Size: 2" - 24"

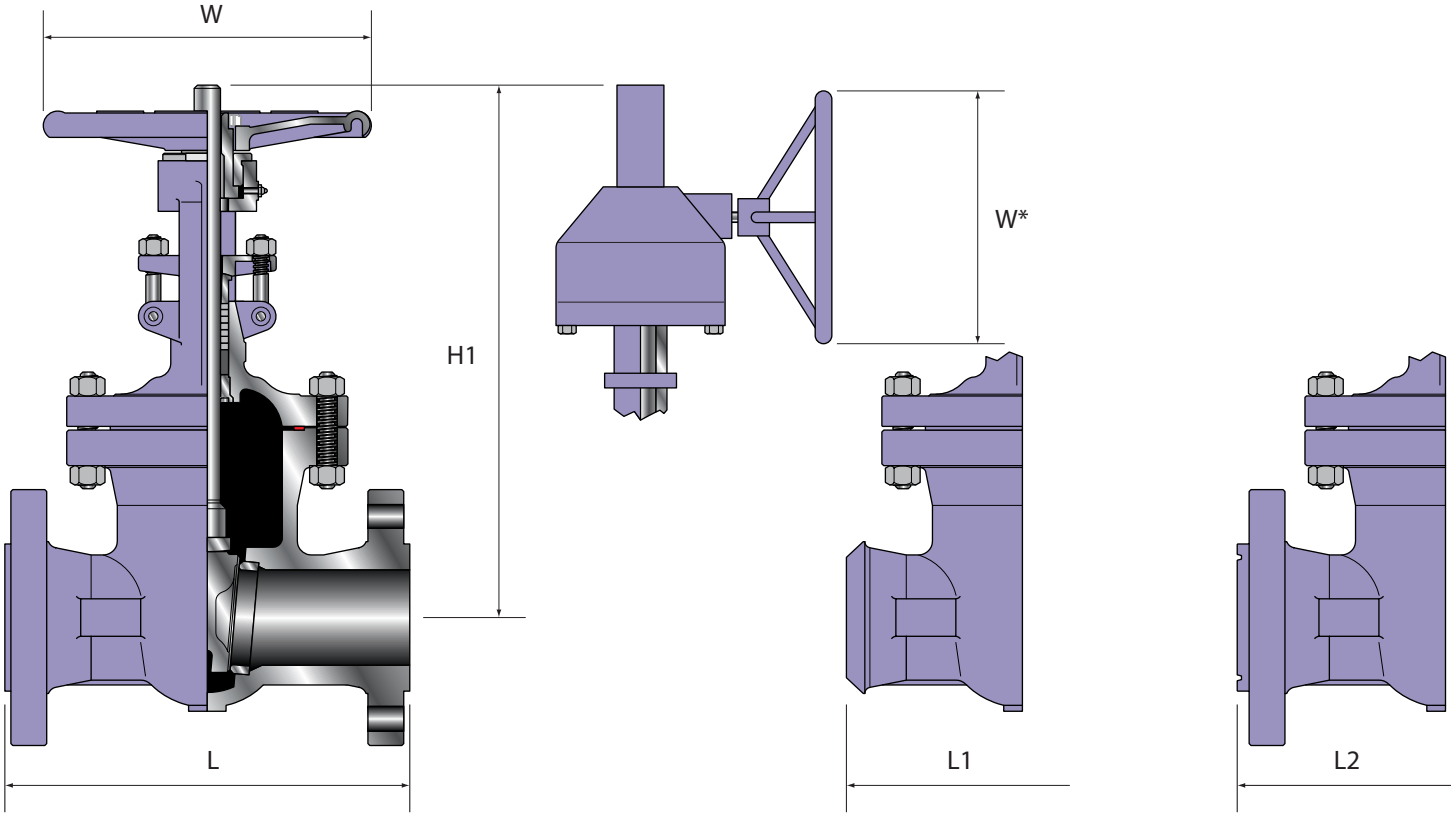
Class: 1500



CLASS 1500	Size	NPS	2	2.5	3	4	6	8	10	12	14	16	18	20	24
		DN	50	65	80	100	150	200	250	300	350	400	450	500	600
L (RF)	IN	14.5	16.5	18.5	21.5	27.75	32.75	39.0	44.5	49.5	54.5	60.5	65.5	76.5	
	MM	368	419	470	546	706	832	991	1130	1257	1384	1536	1664	1943	
L1 (BW)	IN	14.62	16.62	18.62	21.62	28.0	33.13	39.38	45.12	50.25	55.38	61.38	66.38	77.62	
	MM	371	422	473	549	711	841	1000	1146	1276	1406	1559	1686	1972	
L2 (RTJ)	IN	14.5	16.5	18.5	21.5	27.75	32.75	39.0	44.5	49.5	54.5	60.5	65.5	76.5	
	MM	368	419	470	546	706	832	991	1130	1257	1384	1536	1664	1943	
H1	IN	21.2	26.4	29.1	30.8	47.1	60.8	66.5	82.3	85.1	97.9	108.7	122.1	146.5	
	MM	539	670	738	783	1196	1546	1688	2090	2162	2486	2762	3102	3721	
W	IN	11.8	11.8	15.7	19.7	13.8	22.0	27.9	27.9	30.0	30.0	30.0	24.0	24.0	
	MM	300	300	400	500	350	560	710	710	760	760	760	610	610	
WGT (RF)	IB	181	341.8	401	573	1360	3175	4412	8414	9073.6	15324.8	19845	24541.7	35875.4	
	KG	82	155	182	260	617	1440	2001	3816	4115	6950	9000	11130	16270	
WGT (BW)	IB	130	286.7	324	353	975	2646	3541	7080	7056	13230	17066.7	21079.8	30362.9	
	KG	59	130	147	160	442	1200	1606	3211	3200	6000	7740	9560	13770	

Bolted Bonnet OS&Y Wedge Gate Valves

Size: 2" - 12"
Class: 2500



CLASS 2500	Size	NPS	2	2.5	3	4	6	8	10	12
		DN	50	65	80	100	150	200	250	300
	L (RF)	IN	17.75	20.0	22.75	26.5	36.0	40.25	50.0	56.0
		MM	451	508	578	673	914	1022	1270	1422
	L1 (BW)	IN	17.87	20.25	23.0	26.8	36.5	40.87	50.88	56.88
		MM	454	514	584	683	927	1038	1292	1445
	L2 (RTJ)	IN	17.75	20.0	22.75	26.5	36.0	40.25	50.0	56.0
		MM	451	508	578	673	914	1022	1270	1422
	H1	IN	24.4	31.9	31.9	42.2	57.1	63.0	82.5	90.2
		MM	619	809	809	1073	1451	1600	2096	2292
W	IN	11.8	17.7	17.7	24.8	24.0	24.0	24.0	30.0	
	MM	300	450	450	630	610	610	610	760	
WGT (RF)	IB	205	331	443	1336	3506	5380.2	10085.7	15831.9	
	KG	93	150	201	606	1590	2440	4574	7180	
WGT (BW)	IB	128	221	289	1083	2866.5	4410	8379	13230	
	KG	58	100	131	491	1300	2000	3800	6000	

Pressure Temperature Ratings - ASME B16.34 - 2004 ■■■■■■■■■■

Note: Pressures in PSI

	Temp. F	A105	WCB	LF2	WCC	LCB	WC6	LCC	C5	C12	C12A	316	CF8M	F51	F53
	150	-20 to 100	285	285	285	290	265	290	290	290	290	290	275	275	290
	200	260	260	260	260	255	260	260	260	260	260	235	235	260	260
	300	230	230	230	230	230	230	230	230	230	230	215	215	230	230
	400	200	200	200	200	200	200	200	200	200	200	195	195	200	200
	500	170	170	170	170	170	170	170	170	170	170	170	170	170	170
	600	140	140	140	140	140	140	140	140	140	140	140	140	140	140
	650	125	125	125	125	125	125	125	125	125	125	125	125	125	125
	700	110	110	110	110	110	110	110	110	110	110	110	110	110	110
	750	95	95	95	95	95	95	95	95	95	95	95	95	95	95
	800	80	80	80	80	80	80	80	80	80	80	80	80	/	/
	850	65	65	65	65	65	65	65	65	65	65	65	65	/	/
	900	50	50	50	50	50	50	50	50	50	50	50	50	/	/
	950	35	35	35	35	35	35	35	35	35	35	35	35	/	/
	1000	20	20	20	20	20	20	20	20	20	20	20	20	/	/
	1050	/	/	/	/	/	20	/	20	20	20	20	20	/	/
	1100	/	/	/	/	/	20	/	20	20	20	20	20	/	/
	1150	/	/	/	/	/	20	/	20	20	20	20	20	/	/
	1200	/	/	/	/	/	15	/	15	20	20	20	20	/	/
	1250	/	/	/	/	/	/	/	/	/	/	20	20	/	/
	1300	/	/	/	/	/	/	/	/	/	/	20	20	/	/
	1350	/	/	/	/	/	/	/	/	/	/	20	20	/	/
	1400	/	/	/	/	/	/	/	/	/	/	20	20	/	/
	1450	/	/	/	/	/	/	/	/	/	/	20	20	/	/
	1500	/	/	/	/	/	/	/	/	/	/	15	15	/	/
	Temp. F	A105	WCB	LF2	WCC	LCB	WC6	LCC	C5	C12	C12A	316	CF8M	F51	F53
	300	-20 to 100	740	740	740	750	695	750	750	750	750	750	720	720	750
	200	680	680	680	750	660	750	750	750	750	750	620	620	745	745
	300	655	655	655	730	640	720	730	730	730	730	560	560	665	665
	400	635	635	635	705	615	695	705	705	705	705	515	515	615	615
	500	605	605	605	665	585	665	665	665	665	665	480	480	580	580
	600	570	570	570	605	550	605	605	605	605	605	450	450	555	555
	650	550	550	550	590	535	590	590	590	590	590	440	440	545	545
	700	530	530	530	555	510	570	555	570	570	570	435	435	540	540
	750	505	505	505	505	475	530	505	530	530	530	425	425	530	530
	800	410	410	410	410	390	510	410	510	510	510	420	420	/	/
	850	320	320	320	320	300	485	320	485	485	485	420	420	/	/
	900	230	230	230	225	200	450	225	375	450	450	415	415	/	/
	950	135	135	135	135	135	320	135	275	375	385	385	385	/	/
	1000	85	85	85	85	85	215	85	200	255	365	365	365	/	/
	1050	/	/	/	/	/	145	/	145	170	360	160	160	/	/
	1100	/	/	/	/	/	95	/	100	115	300	305	305	/	/
	1150	/	/	/	/	/	65	/	60	75	225	235	235	/	/
	1200	/	/	/	/	/	40	/	35	50	145	185	185	/	/
	1250	/	/	/	/	/	/	/	/	/	/	145	145	/	/
	1300	/	/	/	/	/	/	/	/	/	/	115	115	/	/
	1350	/	/	/	/	/	/	/	/	/	/	95	95	/	/
	1400	/	/	/	/	/	/	/	/	/	/	75	75	/	/
	1450	/	/	/	/	/	/	/	/	/	/	60	60	/	/
	1500	/	/	/	/	/	/	/	/	/	/	40	40	/	/

Pressure Temperature Ratings - ASME B16.34 - 2004 ■■■■■■■■■■

Note: Pressures in PSI

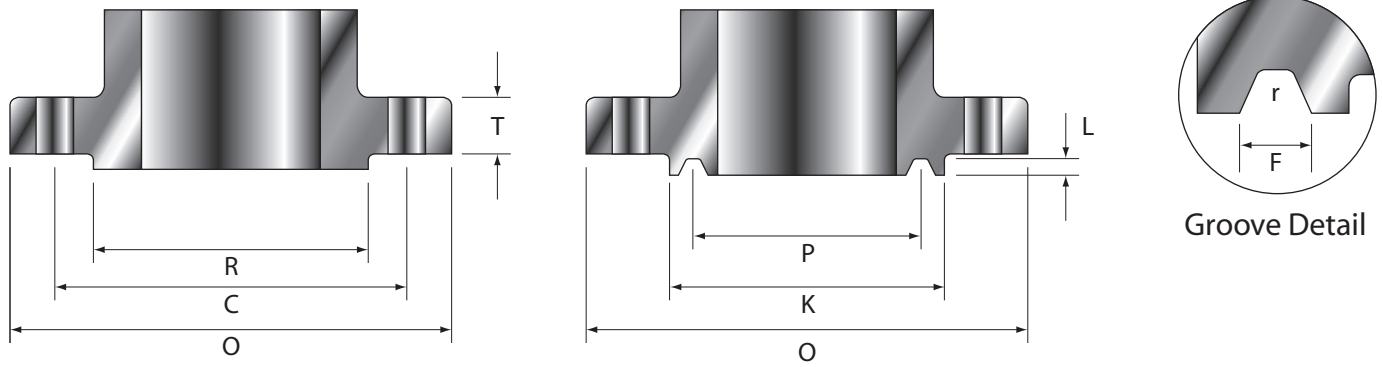
	Temp. F	A105	WCB	LF2	WCC	LCB	WC6	LCC	C5	C12	C12A	316	CF8M	F51	F53
	600	-20 to 100	1480	1480	1480	1500	1395	1500	1500	1500	1500	1500	1440	1440	1500
	200	1360	1360	1360	1500	1320	1500	1500	1500	1500	1500	1240	1240	1490	1490
	300	1310	1310	1310	1455	1275	1445	1455	1455	1455	1455	1120	1120	1335	1335
	400	1265	1265	1265	1405	1230	1385	1405	1410	1410	1410	1025	1025	1230	1230
	500	1205	1205	1205	1330	1175	1330	1330	1330	1330	1330	995	995	1160	1160
	600	1135	1135	1135	1210	1105	1210	1210	1210	1210	1210	900	900	1115	1115
	650	1100	1100	1100	1175	1065	1175	1175	1175	1175	1175	885	885	1095	1095
	700	1060	1060	1060	1110	1025	1135	1110	1135	1135	1135	870	870	1085	1085
	750	1015	1015	1015	1015	955	1065	1015	1065	1065	1065	855	855	1065	1065
	800	825	825	825	825	780	1015	825	1015	1015	1015	845	845	/	/
	850	640	640	640	640	595	975	640	975	975	975	835	835	/	/
	900	460	460	460	445	405	900	445	745	900	900	830	830	/	/
	950	275	275	275	275	275	640	275	550	755	775	775	775	/	/
	1000	170	170	170	170	170	430	170	400	505	725	725	725	/	/
	1050	/	/	/	/	/	290	/	290	345	720	720	720	/	/
	1100	/	/	/	/	/	190	/	200	225	605	610	610	/	/
	1150	/	/	/	/	/	130	/	125	150	445	475	475	/	/
	1200	/	/	/	/	/	80	/	70	105	290	370	370	/	/
	1250	/	/	/	/	/	/	/	/	/	/	295	295	/	/
	1300	/	/	/	/	/	/	/	/	/	/	235	235	/	/
	1350	/	/	/	/	/	/	/	/	/	/	190	190	/	/
	1400	/	/	/	/	/	/	/	/	/	/	150	150	/	/
	1450	/	/	/	/	/	/	/	/	/	/	115	115	/	/
	1500	/	/	/	/	/	/	/	/	/	/	85	85	/	/
900	Temp. F	A105	WCB	LF2	WCC	LCB	WC6	LCC	C5	C12	C12A	316	CF8M	F51	F53
	-20 to 100	2220	2220	2220	2250	2090	2250	2250	2250	2250	2250	2160	2160	2250	2250
	200	2035	2035	2035	2250	1980	2250	2250	2250	2250	2250	1860	1860	2230	2230
	300	1965	1965	1965	2185	1915	2165	2185	2185	2185	2185	1680	1680	2000	2000
	400	1900	1900	1900	2110	1845	2080	2110	2115	2115	2115	1540	1540	1845	1845
	500	1810	1810	1810	1995	1760	1995	1995	1995	1995	1995	1435	1435	1740	1740
	600	1705	1705	1705	1815	1655	1815	1815	1815	1815	1815	1355	1355	1670	1670
	650	1650	1650	1650	1765	1600	1765	1765	1765	1765	1765	1325	1325	1640	1640
	700	1590	1590	1590	1665	1535	1705	1665	1705	1705	1705	1305	1305	1625	1625
	750	1520	1520	1520	1520	1430	1595	1520	1595	1595	1595	1280	1280	1595	1595
	800	1235	1235	1235	1235	1175	1525	1235	1525	1525	1525	1265	1265	/	/
	850	955	955	955	955	895	1460	955	1460	1460	1460	1255	1255	/	/
	900	690	690	690	670	605	1350	670	1120	1350	1350	1245	1245	/	/
	950	410	410	410	410	410	955	410	825	1130	1160	1160	1160	/	/
	1000	255	255	255	255	255	650	255	595	760	1090	1090	1090	/	/
	1050	/	/	/	/	/	430	/	430	515	1080	1080	1080	/	/
	1100	/	/	/	/	/	290	/	300	340	905	915	915	/	/
	1150	/	/	/	/	/	195	/	185	225	670	710	710	/	/
	1200	/	/	/	/	/	125	/	105	155	430	555	555	/	/
	1250	/	/	/	/	/	/	/	/	/	/	440	440	/	/
	1300	/	/	/	/	/	/	/	/	/	/	350	350	/	/
	1350	/	/	/	/	/	/	/	/	/	/	290	290	/	/
	1400	/	/	/	/	/	/	/	/	/	/	225	225	/	/
	1450	/	/	/	/	/	/	/	/	/	/	175	175	/	/
	1500	/	/	/	/	/	/	/	/	/	/	125	125	/	/

Pressure Temperature Ratings - ASME B16.34 - 2004 ■ ■ ■ ■ ■ ■ ■ ■ ■ ■

Note: Pressures in PSI

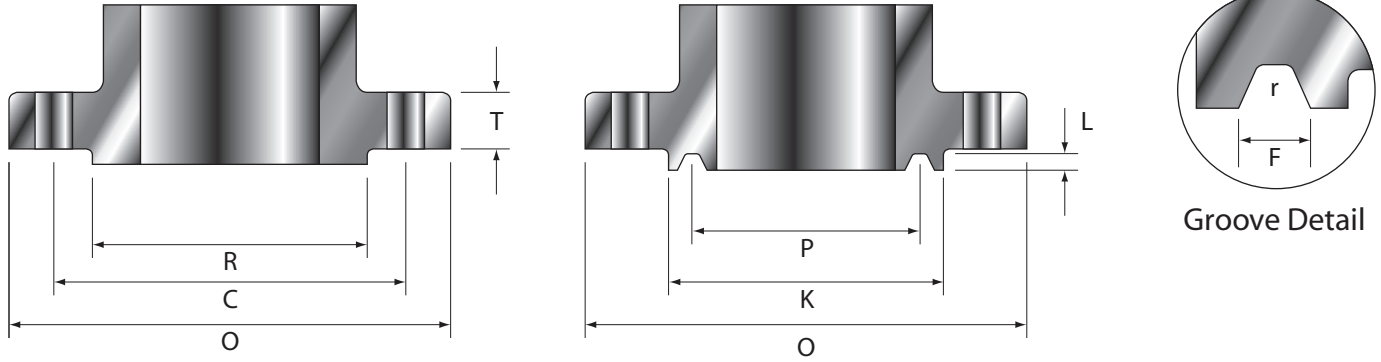
	Temp. F	A105	WCB	LF2	WCC	LCB	WC6	LCC	C5	C12	C12A	316	CF8M	F51	F53
	1500	-20 to 100	3705	3705	3705	3750	3480	3750	3750	3750	3750	3750	3600	3600	3750
	200	3395	3395	3395	3750	3300	3750	3750	3750	3750	3750	3095	3095	3720	3720
	300	3270	3270	3270	3640	3190	3610	3640	3640	3640	3640	2795	2795	3335	3335
	400	3170	3170	3170	3520	3075	3465	3520	3530	3530	3530	2570	2570	3070	3070
	500	3015	3015	3015	3325	2930	3325	3325	3325	3325	3325	2390	2390	2905	2905
	600	2840	2840	2840	3025	2755	3025	3025	3025	3025	3025	2255	2255	2785	2785
	650	2745	2745	2745	2940	2665	2940	2940	2940	2940	2940	2210	2210	2735	2735
	700	2665	2665	2665	2775	2560	2840	2775	2840	2840	2840	2170	2170	2710	2710
	750	2535	2535	2535	2535	2385	2660	2535	2660	2660	2660	2135	2135	2660	2660
	800	2055	2055	2055	2055	1955	2540	2055	2540	2540	2540	2110	2110	/	/
	850	1595	1595	1595	1595	1490	2435	1595	2435	2435	2435	2090	2090	/	/
	900	1150	1150	1150	1115	1010	2245	1115	1870	2245	2245	2075	2075	/	/
	950	685	685	685	685	685	1591	685	1370	1885	1930	1930	1930	/	/
	1000	430	430	430	430	430	1080	430	995	1270	1820	1820	1820	/	/
	1050	/	/	/	/	/	720	/	720	855	1800	1800	1800	/	/
	1100	/	/	/	/	/	480	/	495	565	1510	1525	1525	/	/
	1150	/	/	/	/	/	325	/	310	375	1115	1185	1185	/	/
	1200	/	/	/	/	/	205	/	170	255	720	925	925	/	/
	1250	/	/	/	/	/	/	/	/	/	/	735	735	/	/
	1300	/	/	/	/	/	/	/	/	/	/	585	585	/	/
	1350	/	/	/	/	/	/	/	/	/	/	480	480	/	/
	1400	/	/	/	/	/	/	/	/	/	/	380	380	/	/
	1450	/	/	/	/	/	/	/	/	/	/	290	290	/	/
	1500	/	/	/	/	/	/	/	/	/	/	205	205	/	/
2500	Temp. F	A105	WCB	LF2	WCC	LCB	WC6	LCC	C5	C12	C12A	316	CF8M	F51	F53
	-20 to 100	6170	6170	6170	6250	5805	6250	6250	6250	3250	6250	6000	6000	6250	6250
	200	5655	5655	5655	6250	5505	6250	6250	6250	6250	6250	5160	5160	6200	6200
	300	5450	5450	5450	6070	5315	6015	6070	6070	6070	6070	4660	4660	5560	5560
	400	5280	5280	5280	5865	5125	5775	5865	5880	5880	5880	4280	4280	5120	5120
	500	5025	5025	5025	5540	4885	5540	5540	5540	5540	5540	3980	3980	4840	4840
	600	4730	4730	4730	5040	4595	5040	5040	5040	5040	5040	3760	3760	4640	4640
	650	4575	4575	4575	4905	4440	4905	4905	4905	4905	4905	3680	3680	4560	4560
	700	4425	4425	4425	4630	4270	4730	4630	4730	4730	4730	3620	3620	4520	4520
	750	4230	4230	4230	4230	3970	4430	4230	4430	4430	4430	3560	3560	4430	4430
	800	3430	3430	3430	3430	3255	4230	3430	4230	4230	4230	3520	3520	/	/
	850	2655	2655	2655	2655	2485	4060	2655	4060	4060	4060	3480	3480	/	/
	900	1915	1915	1915	1855	1685	3745	1855	3115	3745	3745	3460	3460	/	/
	950	1145	1145	1145	1145	1145	3655	1145	2285	3145	3220	3220	3220	/	/
	1000	715	715	715	715	715	1800	715	1655	2115	3030	3030	3030	/	/
	1050	/	/	/	/	/	1200	/	1200	1430	3000	3000	3000	/	/
	1100	/	/	/	/	/	800	/	830	945	2515	2545	2545	/	/
	1150	/	/	/	/	/	545	/	515	630	1855	1970	1970	/	/
	1200	/	/	/	/	/	345	/	285	770	1200	1545	1545	/	/
	1250	/	/	/	/	/	/	/	/	/	/	1230	1230	/	/
	1300	/	/	/	/	/	/	/	/	/	/	970	970	/	/
	1350	/	/	/	/	/	/	/	/	/	/	800	800	/	/
	1400	/	/	/	/	/	/	/	/	/	/	630	630	/	/
	1450	/	/	/	/	/	/	/	/	/	/	485	485	/	/
	1500	/	/	/	/	/	/	/	/	/	/	345	345	/	/

Flange Dimensions - ANSI B16.5 & B16.47



Class	Size	Flg. Dia.	Flg. Thick.	Raised Face Dia.	Drilling			Face Dia.	Ring Joint				
					Bolt Circle Dia.	# of Bolts	Hole Dia.		Pitch Dia.	Grv. Depth	Grv. Width	Btm. Radius	Ring No.
150	2	6.00	0.75	3.62	4.75	4	0.75	4.00	3.250	0.250	0.344	0.03	R22
	2.5	7.00	0.88	4.12	5.50	4	0.75	4.75	4.000	0.250	0.344	0.03	R25
	3	7.50	0.94	5.00	6.00	4	0.75	5.25	4.500	0.250	0.344	0.03	R29
	4	9.00	0.94	6.19	7.50	8	0.75	6.75	5.875	0.250	0.344	0.03	R36
	6	11.00	1.00	8.50	9.50	8	0.88	8.62	7.625	0.250	0.344	0.03	R43
	8	13.50	1.12	10.62	11.75	8	0.88	10.75	9.750	0.250	0.344	0.03	R48
	10	16.00	1.19	12.75	14.25	12	1.00	13.00	12.000	0.250	0.344	0.03	R52
	12	19.00	1.25	15.00	17.00	12	1.00	16.00	15.000	0.250	0.344	0.03	R56
	14	21.00	1.38	16.25	18.75	12	1.12	16.75	15.625	0.250	0.344	0.03	R59
	16	23.50	1.44	18.50	21.25	16	1.12	19.00	17.875	0.250	0.344	0.03	R64
	18	25.00	1.56	21.00	22.75	16	1.25	21.50	20.375	0.250	0.344	0.03	R68
	20	27.50	1.69	23.00	25.00	20	1.25	23.50	22.000	0.250	0.344	0.03	R72
	22	29.50	1.81	25.25	27.25	20	1.38	/	/	/	/	/	/
	24	32.00	1.88	27.25	29.50	20	1.38	28.00	26.500	0.250	0.344	0.03	R76
	26	34.25	2.69	29.50	31.75	24	1.38	/	29.500	0.500	0.781	0.060	R93
	28	36.50	2.81	31.50	34.00	28	1.38	/	31.500	0.500	0.781	0.060	R94
30	38.75	2.94	33.75	36.00	28	1.38	/	33.750	0.500	0.781	0.060	R95	
32	41.75	3.19	36.00	38.50	28	1.62	/	36.000	0.562	0.906	0.060	R96	
34	43.75	3.25	38.00	40.50	32	1.62	/	38.000	0.562	0.906	0.060	R97	
36	46.00	3.56	40.25	42.75	32	1.62	/	40.250	0.562	0.906	0.060	R98	
300	2	6.50	0.88	3.62	5.00	8	0.75	4.25	3.250	0.312	0.469	0.03	R23
	2.5	7.50	1.00	4.12	5.88	8	0.88	5.00	4.000	0.312	0.469	0.03	R26
	3	8.25	1.12	5.00	6.62	8	0.88	5.75	4.875	0.312	0.469	0.03	R31
	4	10.00	1.25	6.19	7.88	8	0.88	6.88	5.875	0.312	0.469	0.03	R37
	6	12.50	1.44	8.50	10.62	12	0.88	9.50	8.312	0.312	0.469	0.03	R45
	8	15.00	1.62	10.62	13.00	12	1.00	11.88	10.625	0.312	0.469	0.03	R49
	10	17.50	1.88	12.75	15.25	16	1.12	14.00	12.750	0.312	0.469	0.03	R53
	12	20.50	2.00	15.00	17.75	16	1.25	16.25	15.000	0.312	0.469	0.03	R57
	14	23.00	2.12	16.25	20.25	20	1.25	18.00	16.500	0.312	0.469	0.03	R61
	16	25.50	2.25	18.50	22.50	20	1.38	20.00	18.500	0.312	0.469	0.03	R65
	18	28.00	2.38	21.00	24.75	24	1.38	22.62	21.000	0.312	0.469	0.03	R69
	20	30.50	2.50	23.00	27.00	24	1.38	25.00	23.000	0.375	0.531	0.06	R73
	22	33.00	2.62	25.25	29.25	24	1.62	27.00	25.000	0.438	0.594	0.06	R81
	24	36.00	2.75	27.25	32.00	24	1.62	29.50	27.250	0.438	0.656	0.06	R77
	26	38.25	3.31	29.50	34.50	28	1.75	31.88	29.500	0.500	0.781	0.06	R93
	28	40.75	3.56	31.50	37.00	28	1.75	33.88	31.500	0.500	0.781	0.06	R94
30	43.00	3.75	33.75	39.25	28	1.88	36.12	33.750	0.500	0.781	0.06	R95	
32	45.25	3.94	36.00	41.50	28	2.00	38.75	36.000	0.562	0.906	0.06	R96	
34	47.50	4.12	38.00	43.50	28	2.00	40.75	38.000	0.562	0.906	0.06	R97	
36	50.00	4.38	40.25	46.00	32	2.12	43.00	40.250	0.562	0.906	0.06	R98	

Flange Dimensions - ANSI B16.5 & B16.47



Class	Size	Flg. Dia.	Flg. Thick.	Circle Raise	Drilling			Face Dia.	Ring Joint				
					Bolt Circle Dia.	# of Bolts	Hole Dia.		Pitch Dia.	Grv. Depth	Grv. Width	Btm. Radius	Ring No.
					C				P	L	F	r	
600	2	6.50	1.00	3.62	5.00	8	0.75	4.25	3.250	0.312	0.469	0.03	R23
	2.5	7.50	1.12	4.12	5.88	8	0.88	5.00	4.000	0.312	0.469	0.03	R26
	3	8.25	1.25	5.00	6.62	8	0.88	5.75	4.875	0.312	0.469	0.03	R31
	4	10.75	1.50	6.19	8.50	8	1.00	6.88	5.875	0.312	0.469	0.03	R37
	6	14.00	1.88	8.50	11.50	12	1.12	9.50	8.312	0.312	0.469	0.03	R45
	8	16.50	2.19	10.62	13.75	12	1.25	11.88	10.625	0.312	0.469	0.03	R49
	10	20.00	2.50	12.75	17.00	16	1.38	14.00	12.750	0.312	0.469	0.03	R53
	12	22.00	2.62	15.00	19.25	20	1.38	16.25	15.000	0.312	0.469	0.03	R67
	14	23.75	2.75	16.25	20.75	20	1.5	18.00	16.500	0.312	0.469	0.03	R61
	16	27.00	3.00	18.50	23.75	20	1.62	20.00	18.500	0.312	0.469	0.03	R65
	18	29.25	3.25	21.00	25.75	20	1.75	22.62	21.000	0.312	0.469	0.03	R69
	20	32.00	3.50	23.00	28.50	24	1.75	25.00	23.000	0.375	0.531	0.06	R73
22	34.25	3.75	25.25	30.62	24	1.88	27.00	25.000	0.438	0.594	0.06	R81	
24	37.00	4.00	27.25	33.00	24	2.00	29.50	27.250	0.438	0.659	0.06	R77	
900	2	8.5	1.5	3.62	6.5	8	1	4.88	3.75	0.312	0.469	0.03	R24
	2.5	9.62	1.62	4.12	7.50	8	1.12	5.39	4.250	0.312	0.469	0.03	R27
	3	9.50	1.50	5.00	7.50	8	1.00	6.12	4.875	0.312	0.469	0.03	R31
	4	11.50	1.75	6.19	9.25	8	1.25	7.12	5.875	0.312	0.469	0.03	R37
	6	15.50	2.19	8.50	12.50	12	1.25	9.50	8.312	0.312	0.469	0.03	R45
	8	18.50	2.50	10.62	15.50	12	1.50	12.12	10.625	0.312	0.469	0.03	R49
	10	21.50	2.75	12.75	18.50	16	1.50	14.25	12.750	0.312	0.469	0.03	R53
	12	24.00	3.12	15.00	21.00	20	1.50	16.50	15.000	0.312	0.469	0.03	R57
	14	25.25	3.38	16.25	22.00	20	1.62	18.38	16.500	0.438	0.656	0.06	R62
	16	27.75	3.50	18.50	24.25	20	1.75	20.62	18.500	0.438	0.656	0.06	R66
	18	31.00	4.00	21.00	27.00	20	2.00	23.38	21.00	0.500	0.781	0.06	R70
	20	33.75	4.25	23.00	29.50	20	2.12	25.50	23.000	0.500	0.781	0.06	R74
24	41.00	5.50	27.25	35.50	20	2.62	30.38	27.250	0.625	1.062	0.09	R78	
1500	2	8.50	1.50	3.62	6.50	8	1.00	4.88	3.750	0.312	0.469	0.03	R24
	2.5	9.62	1.62	4.12	7.50	8	1.12	5.38	4.250	0.312	0.469	0.03	R27
	3	10.50	1.88	5.00	8.00	8	1.25	6.62	5.375	0.312	0.469	0.03	R35
	4	12.25	2.12	6.19	9.50	8	1.38	7.62	6.375	0.312	0.469	0.03	R39
	6	15.50	3.25	8.50	12.50	12	1.50	9.75	8.312	0.375	0.531	0.06	R46
	8	19.00	3.62	10.62	15.50	12	1.75	12.50	10.625	0.438	0.656	0.06	R50
	10	23.00	4.25	12.75	19.00	12	2.00	14.62	12.750	0.438	0.656	0.06	R54
	12	26.00	4.88	15.00	22.50	16	2.12	17.25	15.000	0.562	0.906	0.06	R58
	14	29.50	5.25	16.25	25.00	16	2.38	19.25	16.500	0.625	1.062	0.09	R63
	16	32.50	5.75	18.50	27.75	16	2.62	21.50	18.500	0.688	1.188	0.09	R67
	18	36.00	6.38	21.00	30.50	16	2.88	24.12	21.000	0.688	1.188	0.09	R71
	20	38.75	7.00	23.00	32.75	16	3.12	26.50	23.000	0.688	1.312	0.09	R75
24	46.00	8.00	27.25	39.00	16	3.62	31.25	27.250	0.812	1.438	0.09	R79	
2500	2	9.25	2.00	3.62	6.75	8	1.00	4.48	4.000	0.312	0.469	0.030	R26
	2.5	10.50	2.25	4.12	7.75	8	1.13	5.86	4.375	0.375	0.531	0.060	R28
	3	12.00	2.62	5.00	9.00	8	1.25	6.61	5.000	0.375	0.531	0.060	R32
	4	14.00	3.00	6.19	10.75	8	1.50	7.99	6.188	0.438	0.656	0.060	R38
	5	16.50	3.62	7.31	12.75	8	1.75	9.48	7.500	0.500	0.781	0.060	R40
	6	19.00	4.25	8.50	14.50	8	2.00	10.98	9.000	0.500	0.781	0.060	R47
	8	21.75	5.00	10.62	17.25	12	2.00	13.38	11.000	0.562	0.906	0.060	R51
	10	26.50	6.50	12.75	21.75	12	2.50	16.73	13.500	0.688	1.188	0.090	R55
12	30.00	7.25	15.00	24.38	12	2.75	19.48	16.000	0.688	1.312	0.090	R60	

Your 6D Solution

From pipelines to processing, **SCV** has the 6D products to complete your projects.

Complete your jobs faster by taking advantage of our \$45 million ready-to-ship standard & hard-to-find inventory.



- **Oil & Gas Distribution, Processing & Transmission**
- **Wastewater Collection & Treatment**
- **Crude Handling & Treatment**
- **Petro Chemical & Refineries**
- **Waste Transfer & Processing**
- **Slurry Transfer & Processing**
- **Steam Systems**
- **General Industries**

Southern California Valve is a respected domestic manufacturer and "go-to" source for standard commodity valves and hard-to-find specialty valves. **SCV** offers a complete line of gates, globes, checks, balls, plugs, and sub-sea designs in all sizes, pressure classes, and metallurgical compositions.

SCV valves are built to meet and exceed the most rigorous quality and production standards. **SCV** operates under the API Q1 Quality Management System and holds API 6A, API 6D, ISO: 9001:2008, CE-PED, and CRN certifications.

For more than 40 years, **SCV** has served industries including the power, paper and pulp, oil and gas, transmission, and petro-chemical sectors. We pride ourselves on our high quality products, timely delivery capabilities, and competitive prices.



Southern California Valve
Innovative Valve Solutions®





Superior Performance Plug Valves

Available Sizes: 2" thru 12" | Class: 150 thru 2500

Southern California Valve Pressure Balanced Lubricated Plug Valves are ideal for the following applications:

- Oil & Gas Distribution, Processing, & Transmission
- Wastewater Collection & Treatment
- Crude Handling & Treatment
- Petro Chemical & Refineries
- Waste Transfer & Processing
- Slurry Transfer & Processing
- Steam Systems
- General Industries



API 6D | Pressure Balanced | Lubricated | Metal-to-Metal Seal | API 6FA Firesafe Design | 410SS Trim | NACE MR 01 75

SCV is Certified: API 6A, API 6D, CE PED, CRN (Alberta, Manitoba, & Ontario)



www.scvvalve.com
Phone: 281.482.4728

Industry Standards for Valve Manufacturing

This information is for reference only.

American Society of Mechanical Engineers (ASME)

ASME Code - Boiler & pressure vessel code
ASME A13.1 - Scheme for the identification of piping systems
ASME B1.1 - Unified inch screw threads, UN, & UNR thread form
ASME B1.5 - ACME screw threads
ASME B1.7M - Nomenclature, definitions, & letter symbols for screw threads
ASME B1.8 - Stub ACME screw threads
ASME B1.12 - Class 5 interference - fit thread
ASME B1.20.1 - Pipe threads, general purpose, inch
ASME B1.20.3 - Dry-seal pipe threads, inch
ANSI/ASME B16.1 - Cast iron pipe flanges & flanged fittings
ANSI/ASME B16.5 - Pipe flanges & flanged fittings: NPS 1/2" - 24"
ASME B16.9 - Factory made wrought steel buttwelding fittings
ANSI/ASME B16.10 - Face-to-face & end-to-end dimensions of valves
ASME B16.11 - Forged fittings, socket welding & threaded
ASME B16.20 - Metallic gaskets for pipe flanges: ring joint spiral wound & jacketed
ASME B16.21 - Non-metallic flat gaskets for pipe flanges
ASME B16.25 - Butt welding ends
ANSI/ASME B16.33 - Manually operated metallic gas valves for use in gas piping systems up to 125 PSI (sizes NPS 1/2" - 2")
ANSI/ASME B31.1 - Power piping
ANSI/ASME B31.3 - Process piping
ANSI/ASME B16.34 - Valves flanged, threaded & welding end
ANSI/ASME B16.36 - Orifice flanges
ANSI/ASME B16.38 - Large metallic valves for gas distribution (manually operated, NPS 2-1/2" - 12", 125 PSIG maximum)
ANSI/ASME B16.42 - Ductile iron pipe flanges & flanged fittings: classes 150 & 300
ANSI/ASME B16.47 - Large diameter steel flanges
ANSI B17.1 - Keys & keyseats
ANSI B18.2.2 - Square & hex nuts
ASME B31.4 - Pipeline transportation systems for liquid hydrocarbons & other ammonia & alcohols
ANSI/ASME B31.8 - Gas transmission & distribution piping systems
ANSI/ASME B36.10 - Welded & seamless wrought steel pipe
ANSI/ASME B36.19 - Stainless steel pipe
ANSI FCI-2 - Control valve seat leakage

American Society Non-destructive Test (ASNT)

ASNT-TC-1A - Recommended practice no. SNT-TC-1A 1996

American Society for Testing and Materials (ASTM)

American Petroleum Institute (API)

API RP 574 - Inspection practices for piping system components
API 589 - Fire test for evaluation of valve stem packing
API RP 591 - Process valve qualification procedure
API 594 - Check valves-flanged, lug, wafer & buttwelding
API 597 - Steel venturi gate valves, flanged, buttwelding ends
API 598 - Valve inspection & testing
API 599 - Metal plug valves - flanged, welding ends
API 601 - Metallic gaskets for raised-face pipe flanges & flanged connections (double-jacketed corrugated & spiral wound)
API 600 - Bolted bonnet steel gate valves for petroleum & natural gas industries "ISO adoption from ISO 10434"
API 602 - Steel gate, globe, & check valves for sizes DN100 and smaller for the petroleum & natural gas industries
API 603 - Corrosion-resistant, bolted bonnet gate valves-flanged & buttweld ends
API 604 - Ductile iron gate valves, flanged ends
API 605 - Large-diameter carbon steel flanges (nominal pipe sizes 26" - 60", classes 75, 150, 300, 400, 600, & 900 (replaced by ANSI/ASME B16.47)
API 606 - Compact steel gate valves, extended body (included in API 602) fire test for soft-seated quarter-turn valves "ISO adoption from ISO 10497-5 2004"
API 607 - Fire test for soft-seated quarter-turn valves "ISO adoption from ISO 10497-5 2004"
API 608 - Metal ball valves, flanged, threaded, & welding ends
API 609 - Butterfly valves-double flanged, lug- & wafer-type
API RP 941 - Steel for hydrogen service at elevated temperatures & pressures in petroleum refineries & petrochemical plants
API RP 520, Part 1 - Sizing, selection & installation of pressure relieving devices in refineries
API RP 520, Part 2 - Sizing, selection & installation of pressure relieving devices in refineries devices in refineries
API Spec 6A - Specification for wellhead & christmas tree equipment
API Spec 6D - Specifications for pipeline valves
API Spec 14D - Specifications for wellhead surface safety valves & underwater safety valves for offshore service
API 5B - Threading, gauging thread inspection of coring, tubing, & line pipe threads
API 6AM - Material toughness
API 6FA - Fire test for valves
API 6FC - Fire test for valves with backseats
API 6FD - Specification for fire test for check valves
API Q1 - Specification for quality programs for the petroleum, petrochemical, & natural gas

National Association of Corrosion Engineers (NACE)

MR0175 - Sulfide stress cracking resistant metallic materials for oil field equipment
MR0103 - Materials resistant to sulfide stress cracking in corrosive petroleum refining environments

British Standards Institute (BS)

BS 1414 - Gate, wedge & double disk valves: steel
BS 1868 - Check valves: steel
BS 1873 - Globe & check valves: steel
BS 2080 - Flanged & buttweld end steel valves
BS 5146 - (withdrawn) Replaced by BS 6755 p.1 steel valves testing (1986) & BS 6755 p.2 (1984)
BS 5152 - Globe & check: cast iron
BS 5153 - Check: cast iron
BS 5159 - Ball: cast iron & carbon steel
BS 5160 - Globe & check: steel
BS 5163 - Gate, wedge & double disk: cast iron
BS 5351 - Ball: steel
BS 5352 - Globe & check: steel
BS 5418 - (withdrawn) Replaced by BS EN 19 (1992) marking: general purpose industrial
BS 5840 - Valve mating details for actuator operation
BS 6364 - Cryogenic
BS 6683 - Guide: installation & use of valves
BS 6755: Part 1 - Specification for production pressure testing requirements
BS 6755: Part 2 - Specification for fire type-testing requirements
BS EN 19 - Marking of general purpose industrial valves

Canadian Standards Association

BS1-97 - Boiler, pressure vessel, & pressure piping code
Z245.15-96 - Steel valves
CAN3-z299.4-85 - Quality assurance program - Category 4
CAN3-z299.3-85 - Quality assurance program - Category 3

International Organization for Standardization

ISO 5211/1 - Industrial valves- part-turn actuator attachments
ISO 5211/2 - Part-turn valve actuator attachment-flange & coupling performance characteristics
ISO 5211/3 - Part-turn valve actuator attachment-dimensions of driving components
ISO 5752 - Metal valves for use in flanged pipe systems face-to-face & center-to-face dimensions
ISO 9000 - Quality management systems and fundamentals & vocabulary
ISO 10012-1 - Quality assurance requirements for measuring equipment

Manufacturers Standardization Society

SP-6 - Standard finishes for contact faces of pipe flanges & connecting-end flanges of valves & fittings
SP-9 - Spot facing for bronze, iron & steel flanges
SP-25 - Standard marking system for valves, fittings, flanges & unions
SP-42 - Class 150 corrosion resistant gate, globe, angle, & check valves with flanged & buttweld ends
SP-44 - Steel pipeline flanges
SP-45 - Bypass & drain connections
SP-51 - Class 150/w corrosion resistant cast flanges & flanged fittings
SP-53 - Quality standard for steel castings & forgings for valves, flanges, & fittings & other piping components: magnetic particle exam method
SP-54 - Quality standard for steel castings for valves, flanges, & fittings and other piping components: radiographic examination method
SP-55 - Quality standard for steel castings for valves, flanges other piping components-visual method for evaluation of surface irregularities
SP-60 - Connecting flange joint between tapping sleeves & tapping valves
SP-61 - Pressure testing of steel valves
SP-65 - High pressure chemical industry flanges & threaded stubs for use with lens gaskets
SP-67 - Butterfly valves
SP-69 - ANSI/MSS edition pipe hangers & supports, selection & application
SP-70 - Cast iron gate valves, flanged & threaded ends
SP-71 - Gray iron swing check valves, flanged & threaded ends
SP-72 - Ball valves with flanged or butt-welding ends for general service
SP-79 - Socket-welding reducer inserts
SP-81 - Stainless steel, bonnetless, flanged knife gate valves
SP-82 - Valve pressure testing methods
SP-84 - Valves - socket welding & threaded ends
SP-85 - Cast iron globe & angle valves, flanged & threaded ends
SP-86 - Guidelines for metric data in standards for valves, flanges, fittings & actuators
SP-88 - Diaphragm valves
SP-91 - Guidelines for manual operation of valves
SP-92 - MSS valve user guide
SP-93 - Quality standard for steel castings & forgings for valves, flanges & fittings & other piping components- liquid penetrant exam method
SP-94 - Quality standard for ferritic & martensitic steel castings for valves, flanges, & fittings and other piping components - ultrasonic exam method
SP-96 - Guidelines on terminology for valves & fittings
SP-98 - Protective coatings for the interior of valves, hydrants, & fittings
SP-99 - Instrument valves
SP-101 - Part-turn valve actuator attachment-flange and driving component dimensions & performance characteristics
SP-102 - Multi-turn valve actuator attachment: flange and driving component dimensions & performance characteristics
SP-110 - Ball valves threaded, socket-welding, solder joint, grooved, & flared ends
SP-117 - Bellows seals for globe & gate valves
SP-118 - Compact steel globe and check valves-flanged, flangeless, threaded & welding ends (chemical & petroleum refinery service)
SP-120 - Flexible graphite packing system for rising stem steel valves (design requirements)
SP-121 - Qualification testing methods for stem packing for rising stem steel valves

Terms & Conditions

Quotation Validity

This quotation is valid for 30 days from the date quotation is sent. Validity on special metals, including Stainless Steel, is 14 days from the date the quotation is sent. All products offered from stock are subject to prior sale.

Shipments

All items quoted are EXW our Dock - (Ex Works - SCV Facility Santa Fe Spings, California 90670) - unless otherwise noted and agreed to in writing. Shipment may be billed either third party billing to the buyer or freight collect. Shipment dates offered above are forecasted delivery lead times and are estimated from the date payment terms (acceptable to seller) are established, clarification is received on all technical information, and resolution of customer's written approval of drawings is received (when required). The equipment quoted shall be packed in accordance with seller's standard packing procedure unless otherwise noted and agreed to in writing by the seller.

Force Majeure

If in the case of an act of God, war, riot, fire, explosion, flood, or any other circumstances of whatsoever nature which are beyond the control of the seller and which in any way affect the ability of the seller to fulfill its delivery obligations, the delivery is hindered, impeded, or delayed the seller shall be exonerated from all responsibilities and reserves the right to postpone the delivery beyond the original schedule.

Payment terms

All terms are to be negotiated. Credit cards accepted (Master Card, Visa, American Express).

Purchase Orders

All buyer's purchase orders supplied to the seller are to be written in the English language.

Prices

All prices quoted are in USD as per the preceding pricing schedule. The minimum order value is \$5,000.00 (five thousand dollars), unless otherwise agreed to by seller. If for some reason any items are changed or additions to the order required, seller reserves the right to adjust prices accordingly. All sales are subject to approval of seller's credit department. If buyer fails to meet the agreed upon and established commercial terms of the contract, the seller may with-hold all subsequent deliveries until such time that the original commercial terms of the contract have been met by the buyer (or subsequent commercial terms have been agreed upon by the seller with the buyer).

Intellectual Property

All specifications, illustrations, drawings, certificates, and other particulars supplied by seller remain the intellectual property of the seller and should not be disclosed to any third party without the prior written consent of seller.

Governing Law; Arbitration; Jurisdiction

The terms and conditions of this quotation and any subsequent purchase order shall be construed, interpreted, and performed exclusively according to the laws of the State of Texas, USA. The courts of such state shall have exclusive jurisdiction out of all controversies arising out of or in connection with this agreement. The parties consent that process may be served upon them in any such action by registered mail at the address stated for Buyer on its purchase order, and upon SCV at the address noted above in Santa Fe, Texas, or personally within or without the State of Texas. Any legal action with respect to any agreement must be commenced within one year after the cause of action has accrued. The provisions of the Uniform Commercial Code as adopted by the State of Texas, and not under the United Nations Convention on Contracts for the International Sale of Goods, shall apply.

Warranty

All seller's products are guaranteed against defects in workmanship for a period of twelve (12) months after being placed in service, but not exceeding eighteen (18) months after shipment, when products are properly installed per seller specifications and used within the service and pressure range for which they were manufactured. Full risk of loss shall pass to the buyer upon delivery at FOB point, or destination port in case of CIF. This guarantee is limited to the replacement of any valve parts/components found to be defective either in material or workmanship. This guarantee does not extend to costs of labor, freight, or any other consequential charges. The unauthorized use of third party components and workmanship in seller's products voids this warranty.

Limitation of Liability

The liability of the seller under this agreement or with respect to any products supplied or services performed pursuant to this agreement, whether in contract, in tort, in strict liability or otherwise, shall not exceed the purchase price paid by the buyer with respect thereto. In no event will the seller be liable in contract, in tort, in strict liability or otherwise for any special, indirect, incidental, or consequential damages. This is including but not limited to loss of anticipated profits or revenues, loss of use, non-operation or increased expense of operation of equipment, cost of capital, or claims from customer or buyer for failure or delay in achieving anticipated profits or products.

Cancellation

No contract may be canceled by the buyer except upon written notice to seller and upon payment to seller of all costs incurred by the contract arising out of, or in connection with, the contract. Export of goods covered hereby is subject to United States Customs Control. Standard stocking items will be subject to a twenty-five percent (25%) restocking and/or cancellation charge. Non-standard stocking items will be subject to a one-hundred percent (100%) restocking and/or cancellation charge.

Cancellation Charge

The following indicates the rates of cancellation charge of contract value for project manufactured items and/or special engineered items at various stages of production:

- **Time of cancellation: Order Acknowledgement and prior to Engineering engagement.** Cancellation Charge: 10%
- **Time of cancellation: After start of engineering but prior to release to production.** Cancellation Charge: 30%
- **Time of cancellation: After release to production but prior to completion of fabrication.** Cancellation Charge: 80%
- **Time of cancellation: After completion of fabrication.** Cancellation Charge: 100%

Return of Goods

No product shall be returned to seller without written authorization and shipping instructions having been obtained from seller. Products authorized for returns are to be shipped freight pre-paid to the SCV Facility identified in writing, unless otherwise notified, and are subject to seller's standard re-stocking fees.

Documentation

MTR's are available at no charge upon request. The seller's standard document package is per ISO 10474 3.1B requirements. Additional requested documentation is subject to charge.

Inspection

The customer or his authorized representative may, with four (4) weeks prior notice given to seller, visually inspect products manufactured by seller. Such seller approved inspections will be carried out in accordance with seller's standard or seller approved customer inspection procedures. If any inspection or documentation requested by the customer is over and beyond the scope and criteria initially agreed to by the seller, any costs incurred by conducting such inspection or preparation of special documents shall be paid by the buyer prior to release of the items for shipment.

Witness Hydro-testing

Witness hydro-testing is available at a cost. A scope of buyers inspection request is to be provided to seller at order placement. Late notice of such requested inspection is subject to additional costs. The cost associated with such witness hydro request is to be agreed on prior to any such testing taking place. Payment of this type of testing to be negotiated. Additionally, any costs associated with a third party inspector will not be at the sellers expense.

Southern California Valve was established in 1972 as a maintenance and modification company with the ability to provide full in-line valve service and repair. In the mid-1970's, after experiencing the shortcomings of other valve products in service, SCV manufactured its first valve. Since that time, Southern California Valve has expanded our manufactured products to cover a broad range of valves. Industries served include the power, paper and pulp, oil and gas, and petro-chemical sectors.

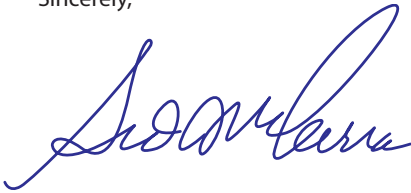
Southern California Valve takes sincere pride in our ability to manufacture both commodity and specialty valves that meet and exceed the needs of our customers. All sizes, pressure classes, and metallurgical compositions are managed in house utilizing the strictest quality control measures to ensure the customer's total satisfaction.

Southern California Valve products include gates, globes, checks, balls, and plugs. Valves utilized throughout the industry must meet rigorous quality and production standards. Southern California Valve has earned its API 6A, API 6D, ISO: 9001, CE-PED, and CRN certifications while operating under the API Q1 Quality Management System.

With years of dedication and commitment to quality, design, and service, Southern California Valve has grown to be one of the premier valve manufacturers in the industry with the largest inventory of high pressure ball, gate, and check valves on the West Coast. We pride ourselves on our high quality products, timely delivery capabilities, and competitive prices.

On behalf of all of the members at Southern California Valve, we thank you for the opportunity to earn your business.

Sincerely,



Sid McCarra
President - Texas Operations
Southern California Valve

Since 1972, Southern California Valve has been committed to providing quality flow control products to the Power, Paper & Pulp, Oil & Gas, and Petro Chemical industries.

As one of the largest valve manufacturers on the West Coast, Southern California Valve's reputation is unparalleled for producing high quality commodity and specialty valves. Products range in sizes 1/2" - 42", in pressure classes from 150# - 2500# and are backed by timely deliveries and competitive prices.

Call SCV today at (281)482-4728 for all your valve needs or visit us on the web @ www.scvvalve.com.

**SALES, PROJECTS, ENGINEERING,
MANUFACTURING, & WAREHOUSING**

3521 FM 646 Rd. North
Santa Fe, TX 77510
Phone: (281) 482-4728
Fax: (281) 482-9728

Hours: 8:00 a.m. to 5:00 p.m. Central Standard
Email: sales@scvvalve.com

**MANUFACTURING &
WAREHOUSING**

13903 Maryton Ave.
Santa Fe Springs, CA 90670
Phone: (562) 404-2246
Toll Free: (800) 554-6421

Fax: (562) 404-2836
Hours: 8:00 a.m. to 5:00 p.m. Pacific



Southern California Valve

(281) 482-4728 • www.scvvalve.com