



Bookcase Plans



Here is a great weekend project for beginning woodworkers. Most everyone owns books and needs a place to display them. Here is an easy project that will add beauty and functionality to your home office.

You can make it out of solid hardwood or use plywood and trim the edges with edge banding. The finished project is 48" high by 23 1/2" wide by 12" deep. Features four shelves, with three of them being adjustable. Build this beautiful bookcase and you can turn your collection of books into a library. Plus, it's an easy project.

Be sure to check out our [corner desk plans](#) for which this bookcase was designed to compliment.

Bookshelf Plans

Table of Contents

Materials List	1
Notes	2
Top and Shelves Dimensions	3
Sides and Back Dimensions	4
Face Frame and Miscellaneous Dimensions	5
Hole Layout – Sides and Back	6
Hole Layout - Face Frame and Miscellaneous Parts	7
Attach Gussets to Sides	8
Assemble sides	9
Attach Top	10
Assemble face frame	11
Attach face frame	12
Attach back	13
Assembled Bookcase	14
Face Frame Bottom Cutout	15
Cutout Diagrams	16

Bookcase Plans

Materials You Will Need

Two 11 1/4" by 96" oak boards
One 7 1/4" by 96" oak board
One 48" by 24" sheet of 1/4" oak veneer plywood
Fifteen pocket hole face frame screws (1 1/4")
Seven #8 flat head wood screws (1 1/2")
Four #8 flat head wood screws (2")
Ten finishing nails (1 1/2")
Twelve metal or plastic shelf supports (1/4" pin diameter)

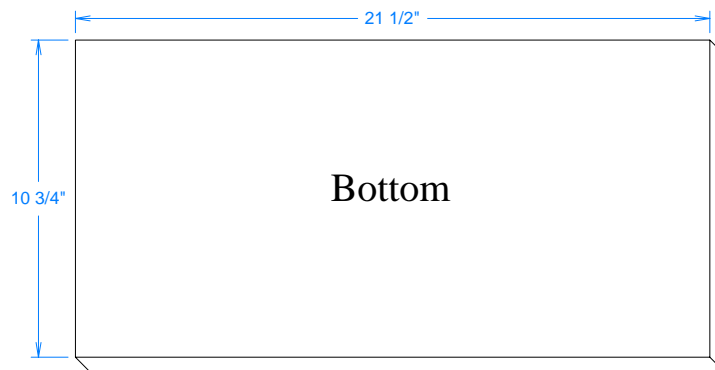
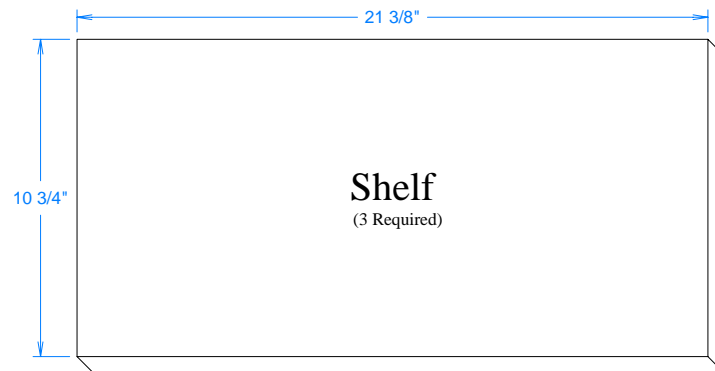
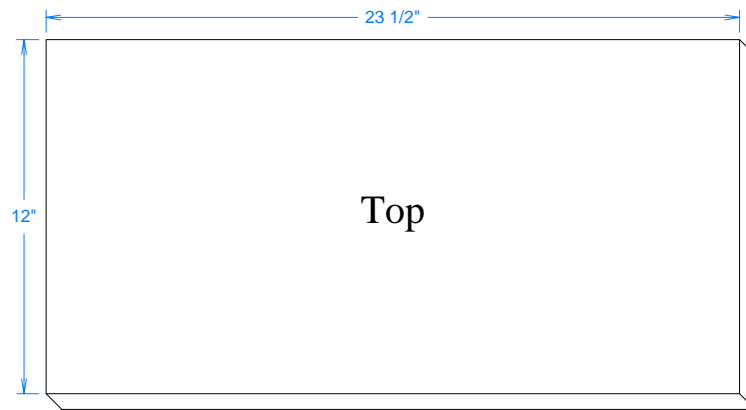
Item List

Item Name	Size	Material	Qty
Top	23 1/2" by 12"	3/4" Oak	1
Shelves	21 3/8" by 10 3/4"	3/4" Oak	3
Bottom	21 1/2" by 10 3/4"	3/4" Oak	1
Sides	47 1/4" by 11"	3/4" Oak	2
Back	45 1/8" by 22 1/8"	1/4" Oak Plywood	1
Face Frame Side	47 1/4" by 1 1/4"	3/4" Oak	2
Face Frame Top	20 1/2" by 1 1/4"	3/4" Oak	1
Face Frame Bottom	20 1/2" by 3"	3/4" Oak	1
Rear Top Support	21 1/2" by 1 1/4"	3/4" Oak	1
Rear Bottom Support	21 1/2" by 2 1/4"	3/4" Wood	1
Bottom Gusset	10 3/4" by 1 1/2"	3/4" Wood	2

Book Shelf Plans

Top & Shelves Dimensions

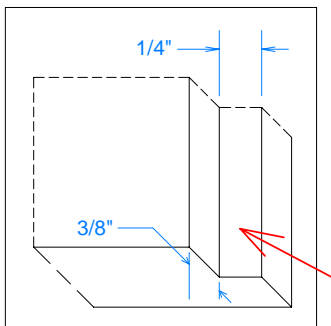
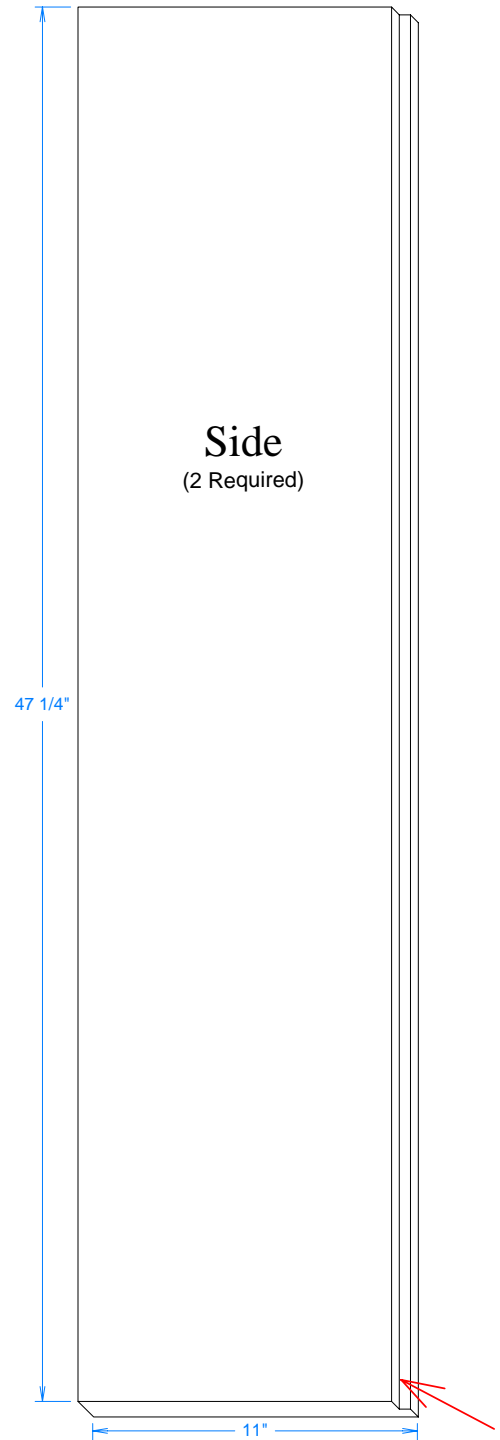
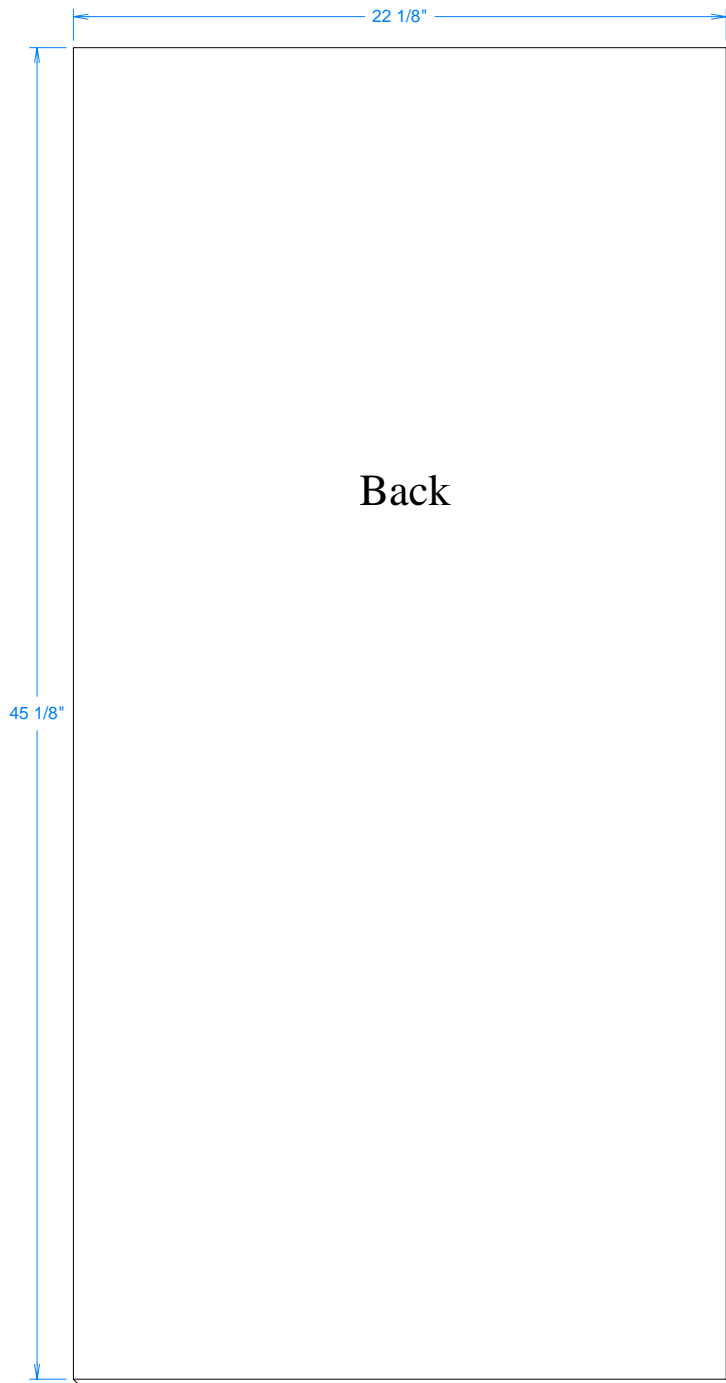
Page 3



Book Shelf

Parts Drawings - Sides and Back

Page 4

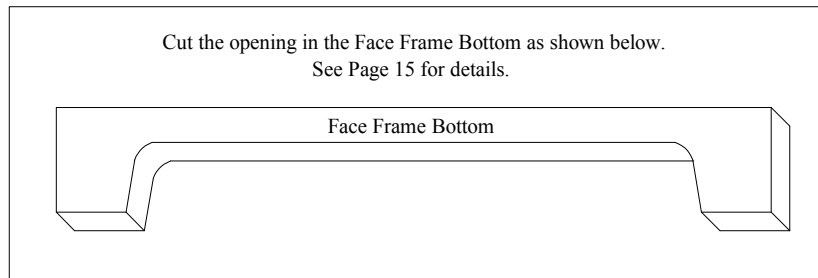
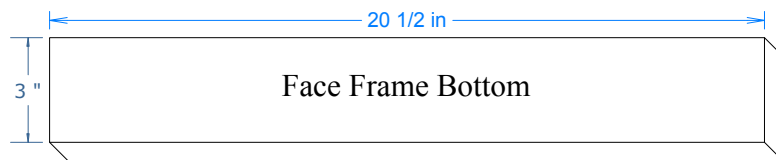
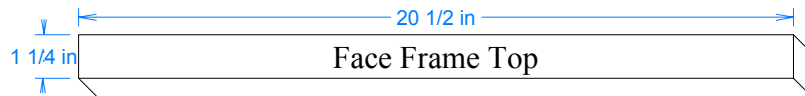
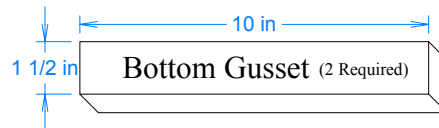
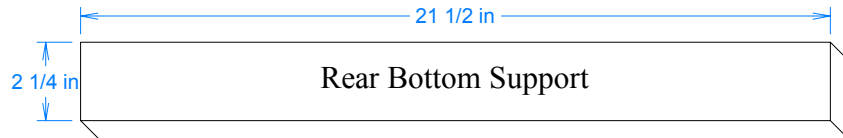
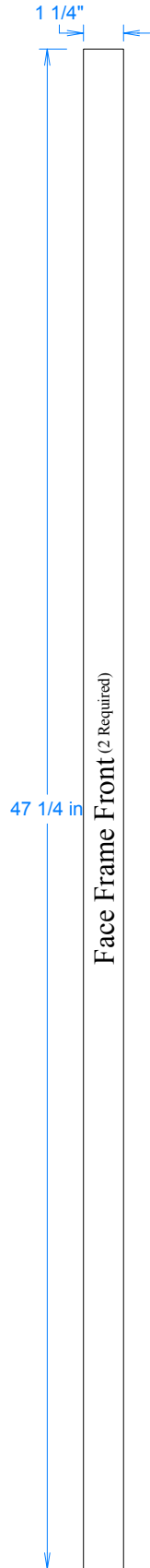


Cut a dado 3/8" deep and 1/4" wide on the inside edge of each side piece. This for the back panel. See the detail to the left.

Book Shelf

Face Frame & Miscellaneous Dimensions

Page 5



Book Shelf Plans

Hole layout - Sides and Back

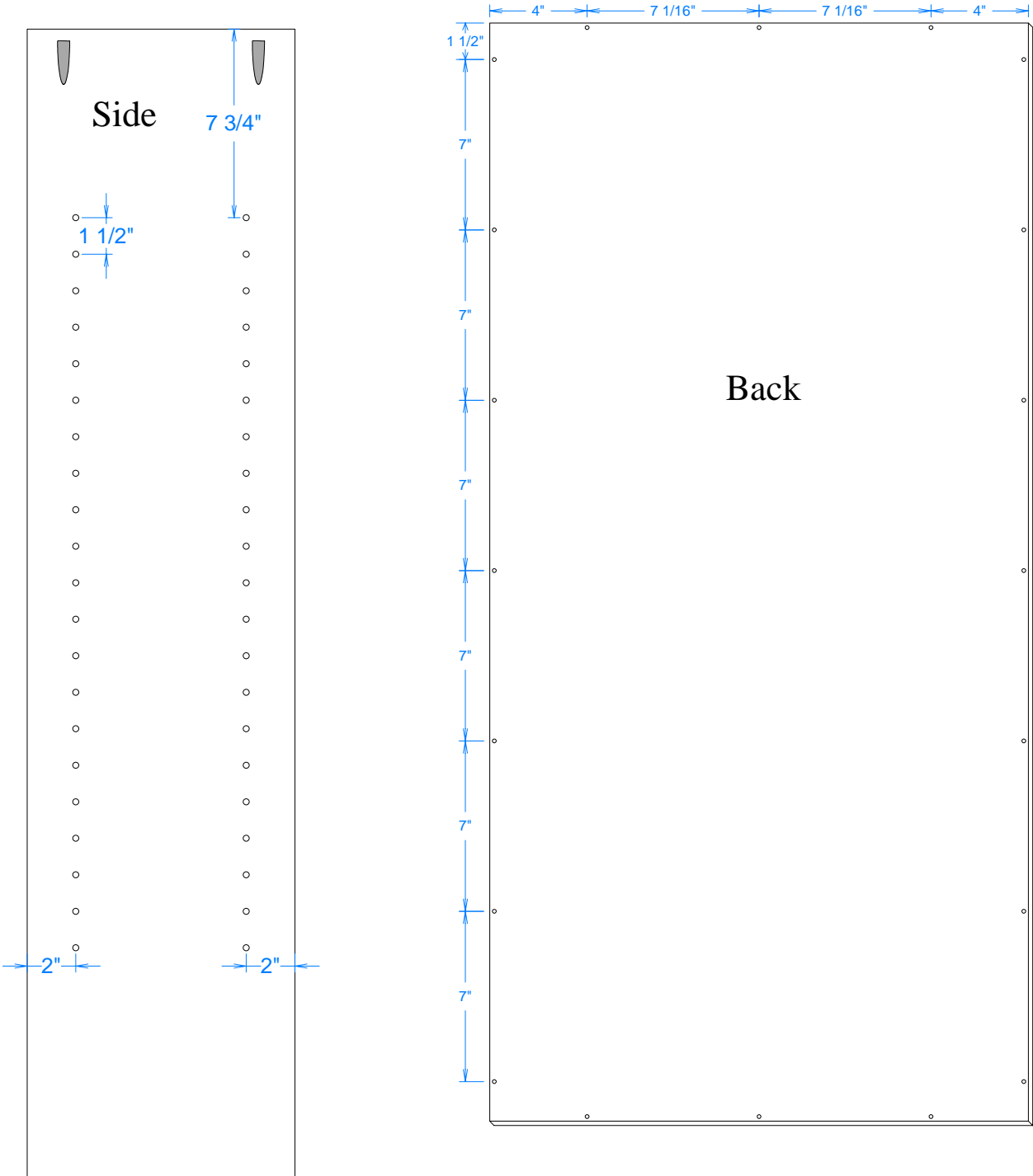
Page 6

For the shelf supports, drill 1/4" diameter holes on the inside surface of the sides as shown below. **These holes should be 1/2" deep. Use a drill stop to ensure you don't drill through outer surface of the sides.**

Drill two pocket holes at the top. Holes are 1 1/2" from edges.

Drill the back panel mounting holes with a 5/32" bit as shown below.

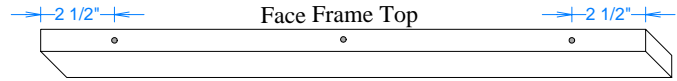
These holes are 3/16" from the edges.



Book Shelf Plans

Hole Layout - Face Frame & Misc Parts

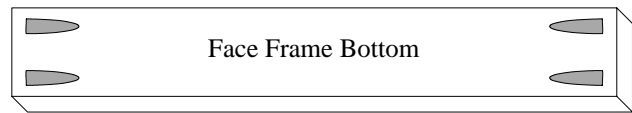
Drill a 3/16" hole through each end and center of the edge of the Face Frame Front.



Drill a pocket hole on each end of the back side of the Face Frame Front.



Drill two pocket holes on the back side of the Face Frame Bottom. These pocket holes should be about 1/2" from the top and 1/2" from the bottom.



Drill a 3/16" hole through each end & center of the edge of the Rear Top Support.



Drill a pocket hole on each end of the back side of the Rear Top Support.



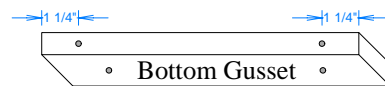
Drill two pocket holes on the back side of the Rear Bottom Support. These pocket holes should be about 1/2" from the top and 1/2" from the bottom.



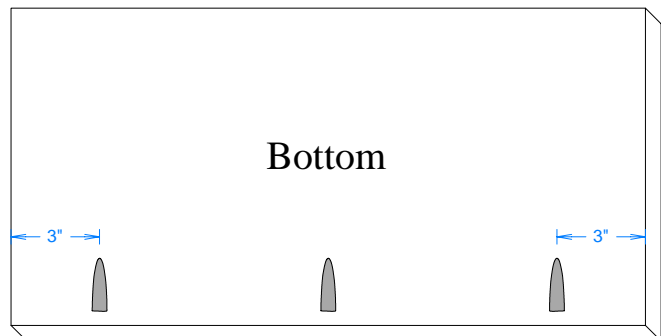
Drill two 3/16" holes through the front side of each Bottom Gusset. These holes should be 1 3/4" from each end and centered from top to bottom.



Drill two 3/16" holes through edge of each Bottom Gusset. These holes should be 1 1/4" from each end and centered from top to bottom.



Drill three pocket holes on the underside of the Bottom as shown.



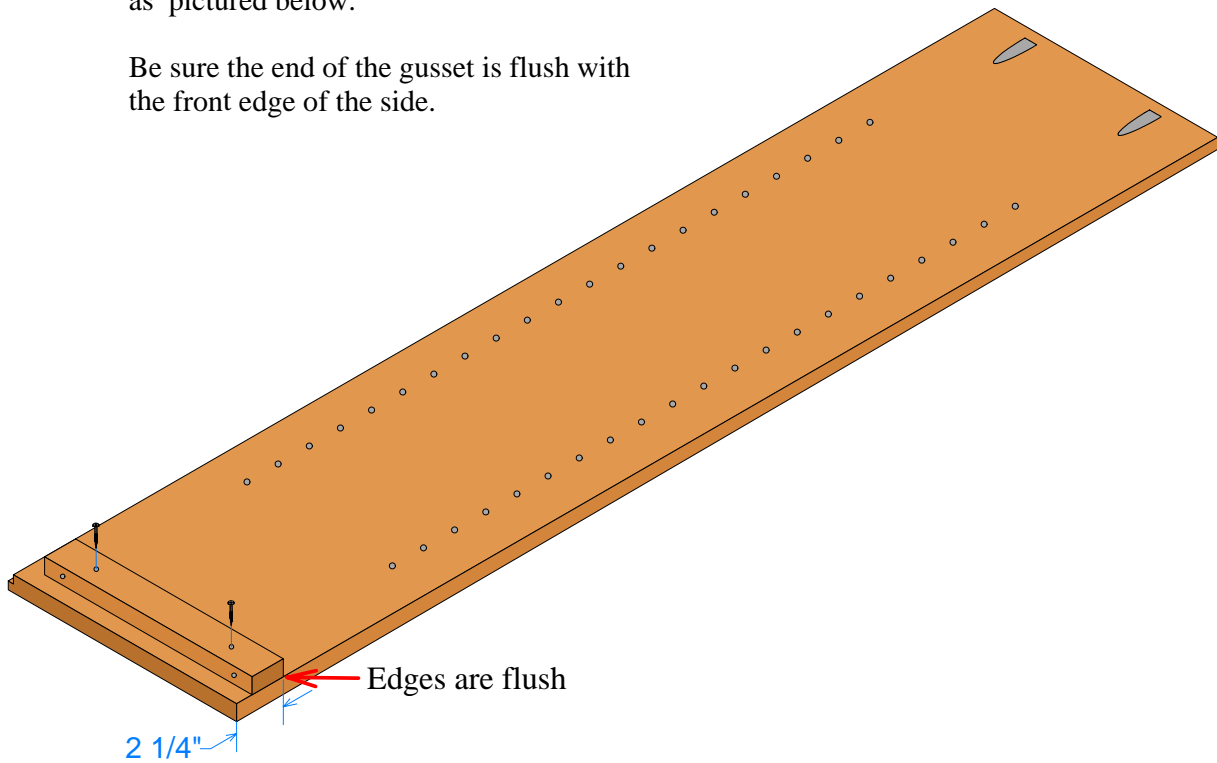
Book Shelf Plans

Attach - Gussets to Sides

Page 8

Apply glue to mating surfaces and attach a Bottom Gusset to the bottom of each side as pictured below.

Be sure the end of the gusset is flush with the front edge of the side.



Book Shelf Plans

Assembly - Assemble Sides

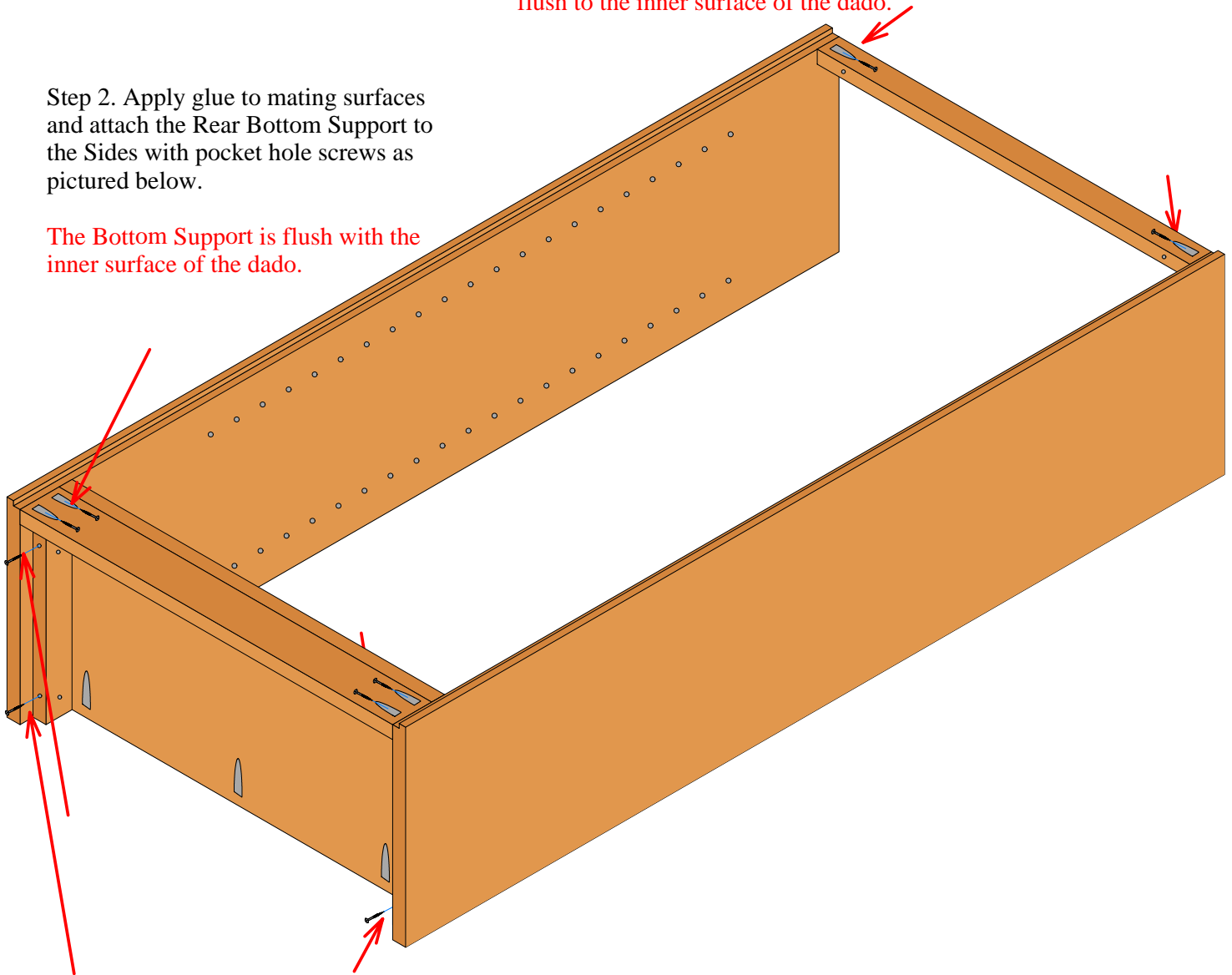
Page 9

Step 1. Apply glue to mating surfaces and attach the Rear Top Support to the sides with pocket hole screws as pictured below.

The Rear Top Support should be flush with the top of each side and flush to the inner surface of the dado.

Step 2. Apply glue to mating surfaces and attach the Rear Bottom Support to the Sides with pocket hole screws as pictured below.

The Bottom Support is flush with the inner surface of the dado.



Apply glue to mating surfaces and attach the Bottom to the gussets with two inch screws as pictured above.

Be sure the end of the Bottom is flush with the front edges of the sides.

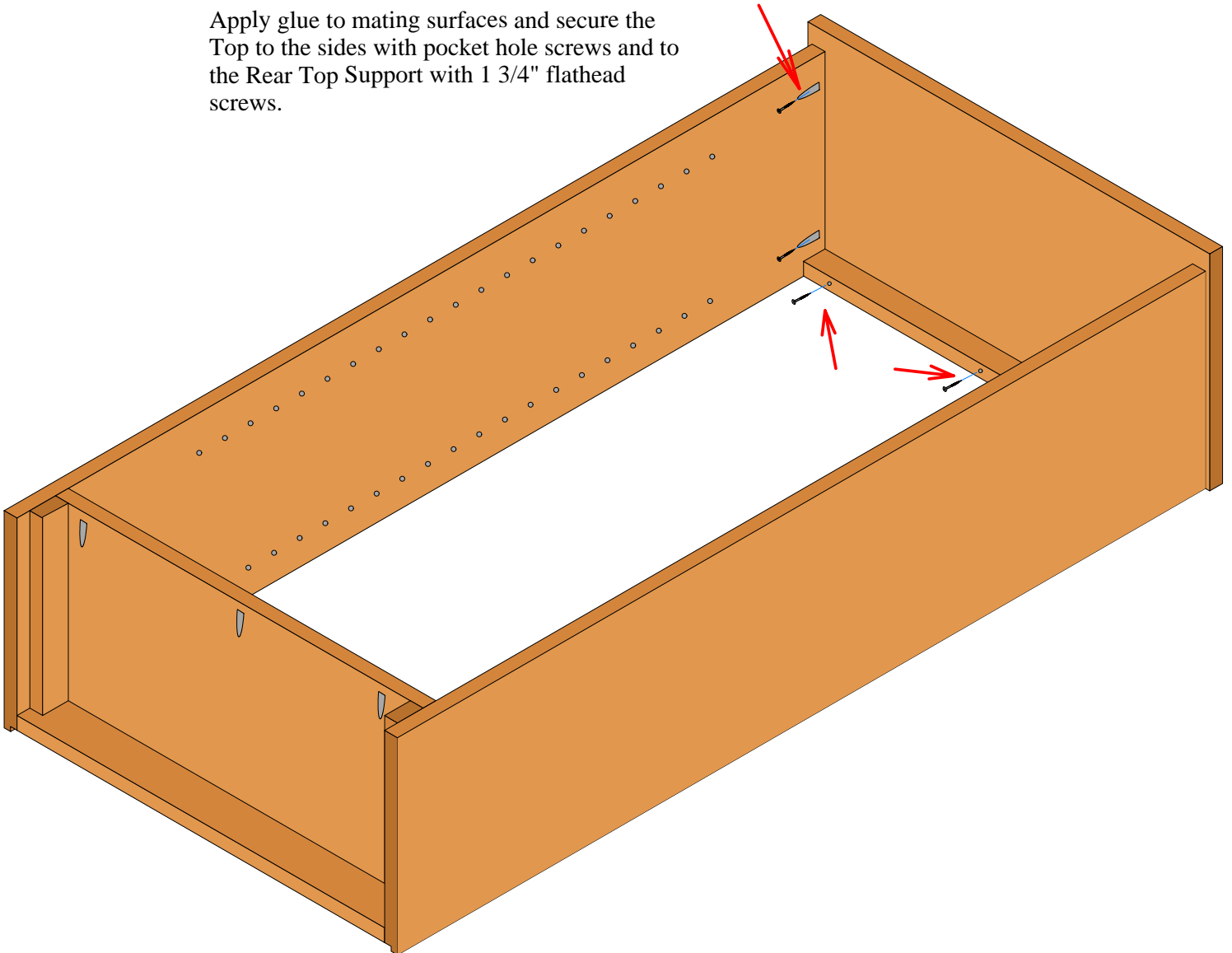
Book Shelf Plans

Attach Top

Page 10

Position the Top so it is flush with the rear edges of the sides and centered from side to side.

Apply glue to mating surfaces and secure the Top to the sides with pocket hole screws and to the Rear Top Support with 1 3/4" flathead screws.

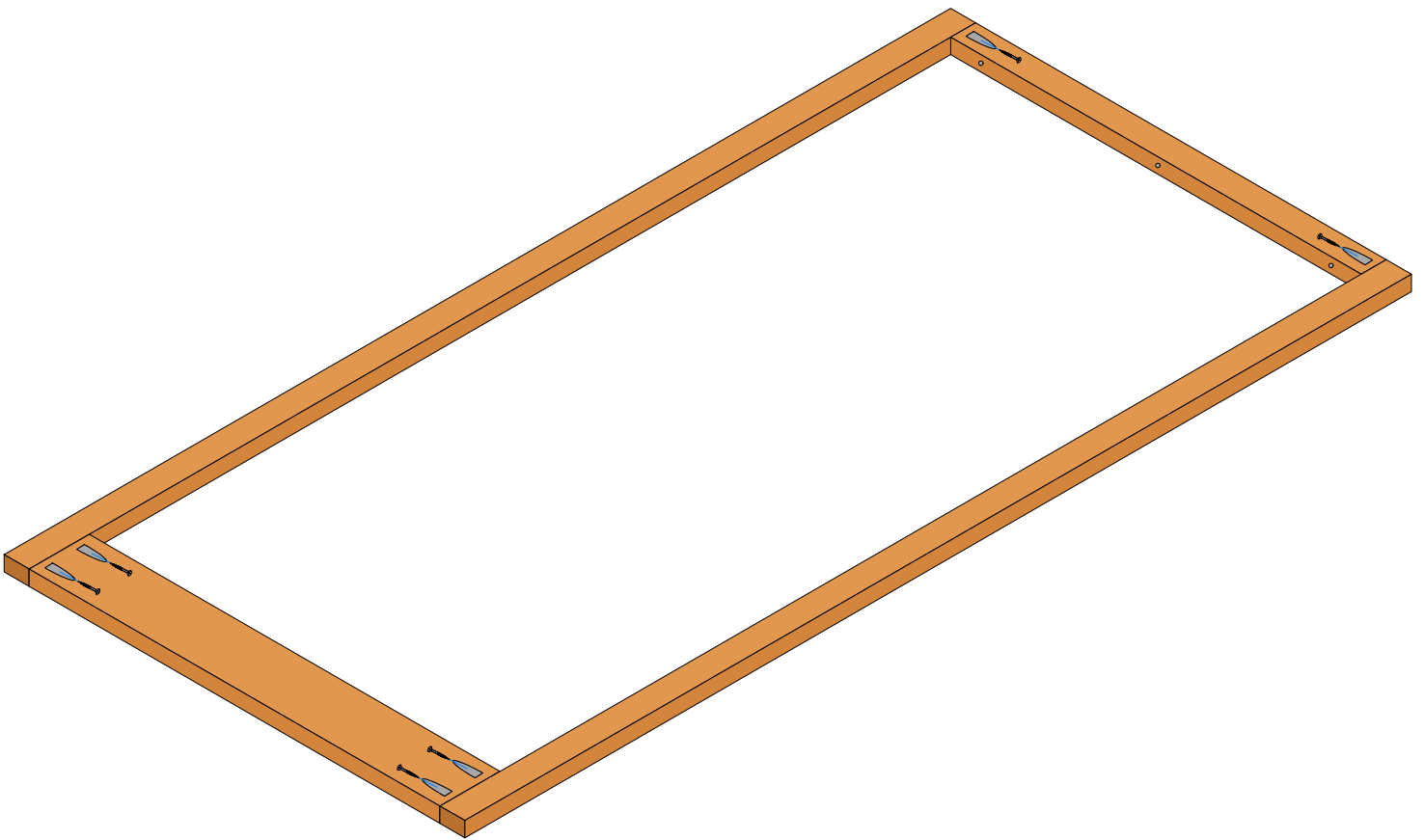


Book Shelf Plans

Assemble Face Frame

Page 11

Apply glue to mating surfaces and assemble the Face Frame with pocket hole screws as shown. Check to make sure the assembled frame is square. If not, clamp it in a squared position before tightening the screws.

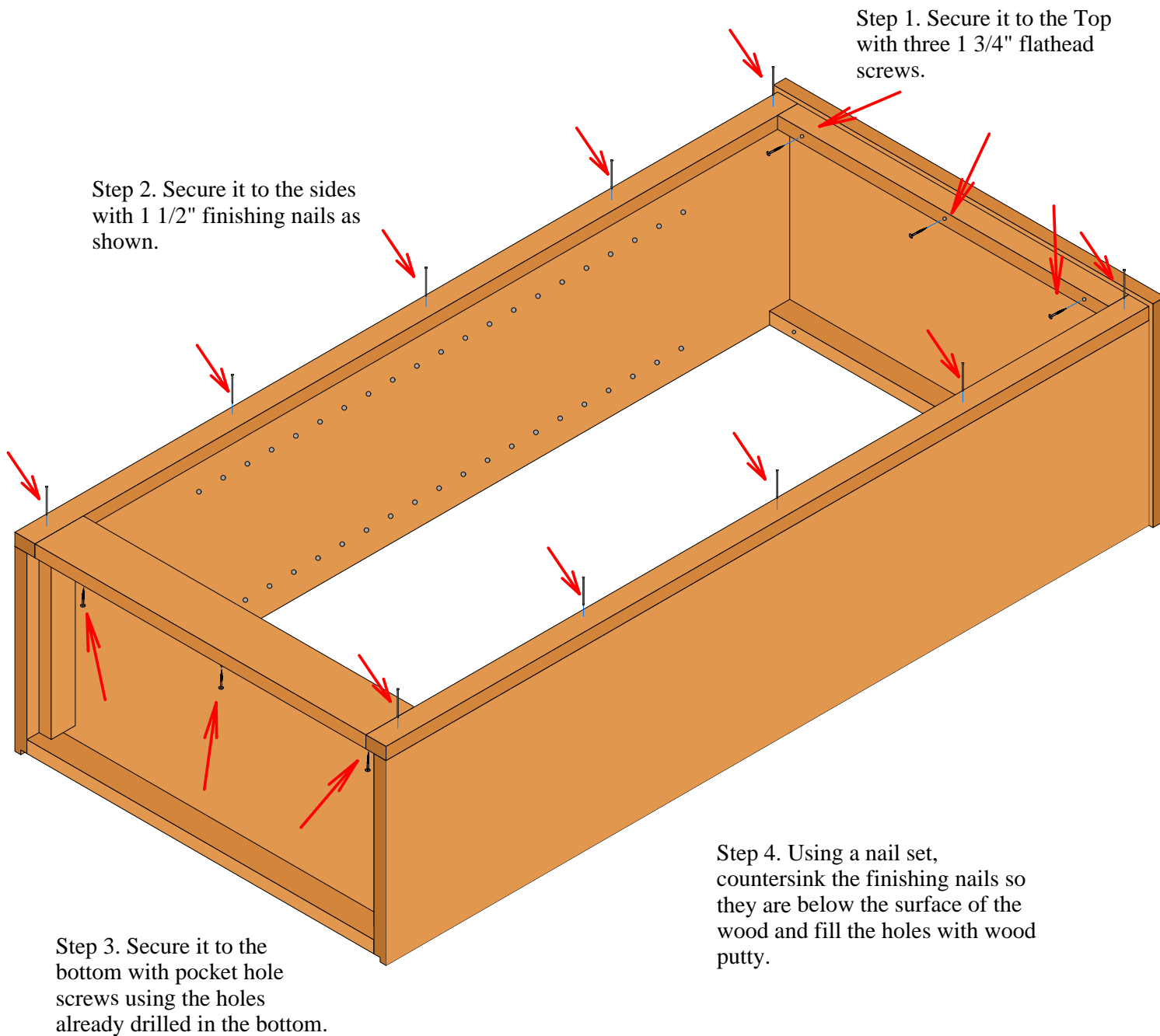


Book Shelf Plans

Attach Face Frame

Page 12

Apply glue to mating surfaces and position the Face frame so it is flush with the Top and centered from side to side.



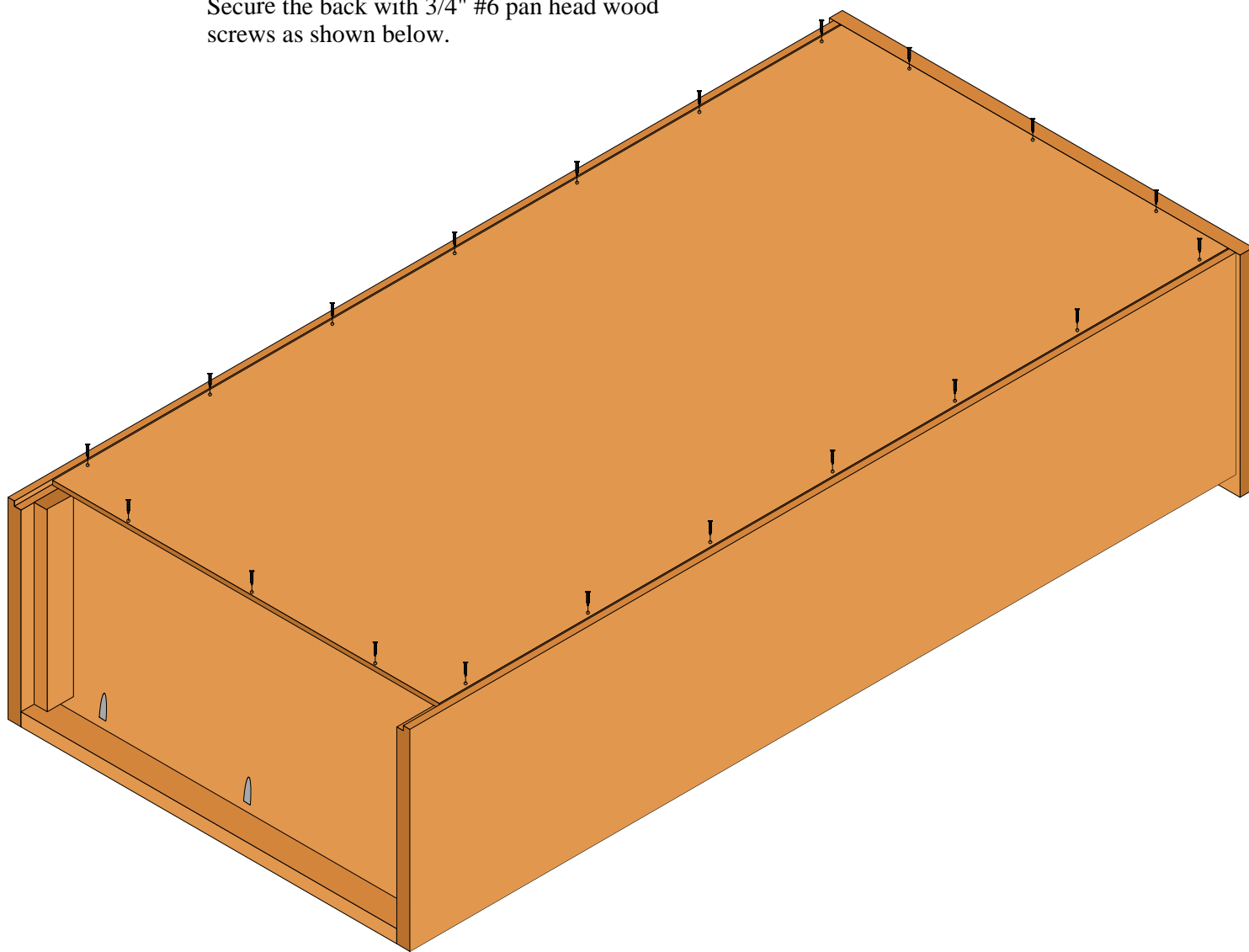
Book Shelf Plans

Attach Back

Page 13

Position the Back so it is inside the dados on the sides and flush with the underside of the Top.

Secure the back with 3/4" #6 pan head wood screws as shown below.



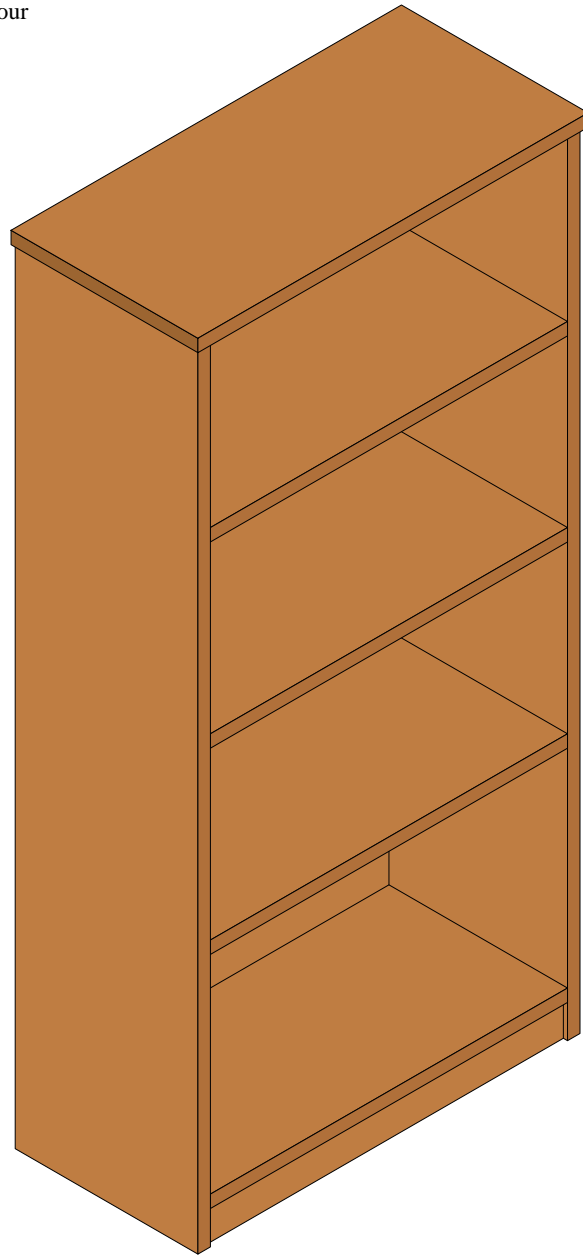
Book Shelf Plans

Assembled Bookshelf

Page 14

After the glue dries, you're ready to sand and finish the assembled bookcase and the three removable shelves.

Insert the shelf supports into holes for the desired locations of the shelves and your bookcase is good to go.



Completed Bookcase

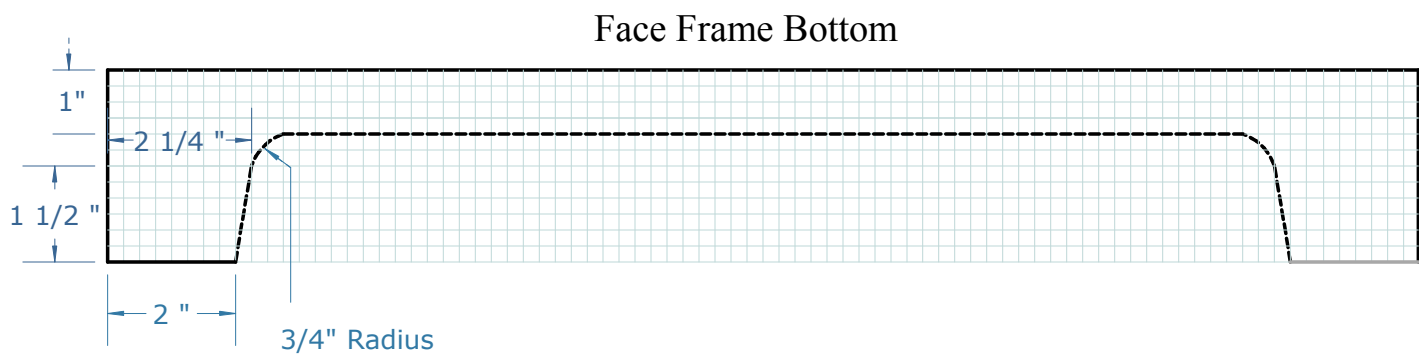
Book Shelf Plans

Face Frame Bottom Cutout

Page 15

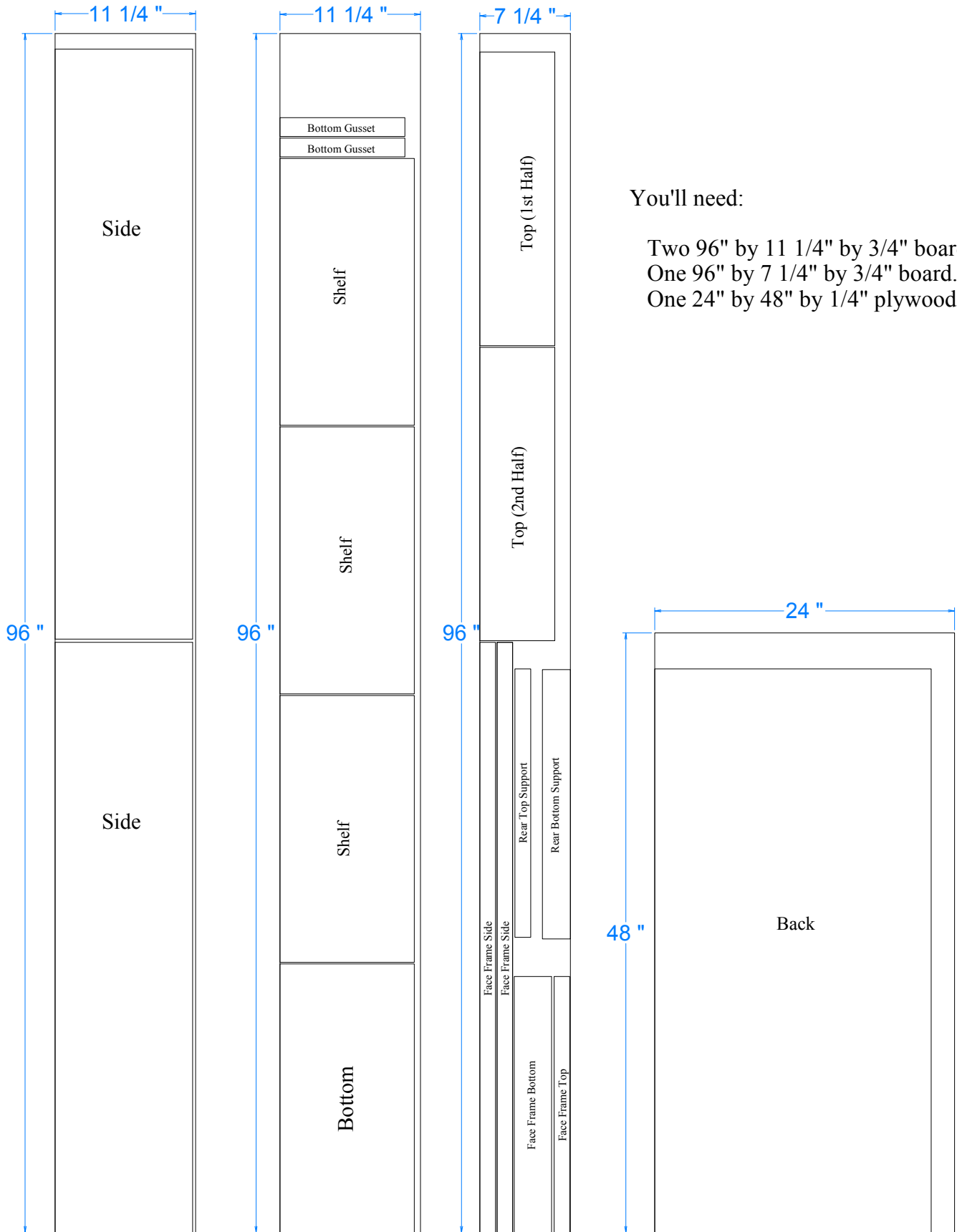
Cut the opening in the Face Frame Bottom as shown below.

The grid line spacing is 1/4".



Book Shelf Cutout Diagrams

Page 16



You'll need:

- Two 96" by 11 1/4" by 3/4" boards.
- One 96" by 7 1/4" by 3/4" board.
- One 24" by 48" by 1/4" plywood.

More Plans from BobsPlans.com



Free!
Bookcase Plans
www.bobsplans.com



Home Bar Plans
www.bobsplans.com



Free!
Mantle Clock Plans
www.bobsplans.com



Free!
Bookcase Plans
www.bobsplans.com



Free!
Picnic Table Plans
www.bobsplans.com



Wheelbarrow Plans
www.bobsplans.com



Wheelbarrow Plans
www.bobsplans.com



Free!
Wagon Wheel Plans
www.bobsplans.com



Free!
Workbench Plans
www.bobsplans.com



Free!
Router Table Plans
www.bobsplans.com



Panel Saw Plans
www.bobsplans.com



Free!
Pocket Hole Jig Plans
www.bobsplans.com



Free!
Tenon Jig Plans
www.bobsplans.com



Free!
Table Saw Sled Plans
www.bobsplans.com



Free!
Drill Press table Plans
www.bobsplans.com

More Plans from: www.bobsplans.com



Router Table



Workbench



Dog House



Picnic Table



Octagon Table



6 Foot Bar



Corner Desk



Book Case



Mantel Clock



Redwood Planter



Wheelbarrow



Spoke Wheel



Panel Saw



Trellis



Wheelbarrow



Pocket Hole Jig



Tenoning Jig



Table Saw Sled



Drill Press Table